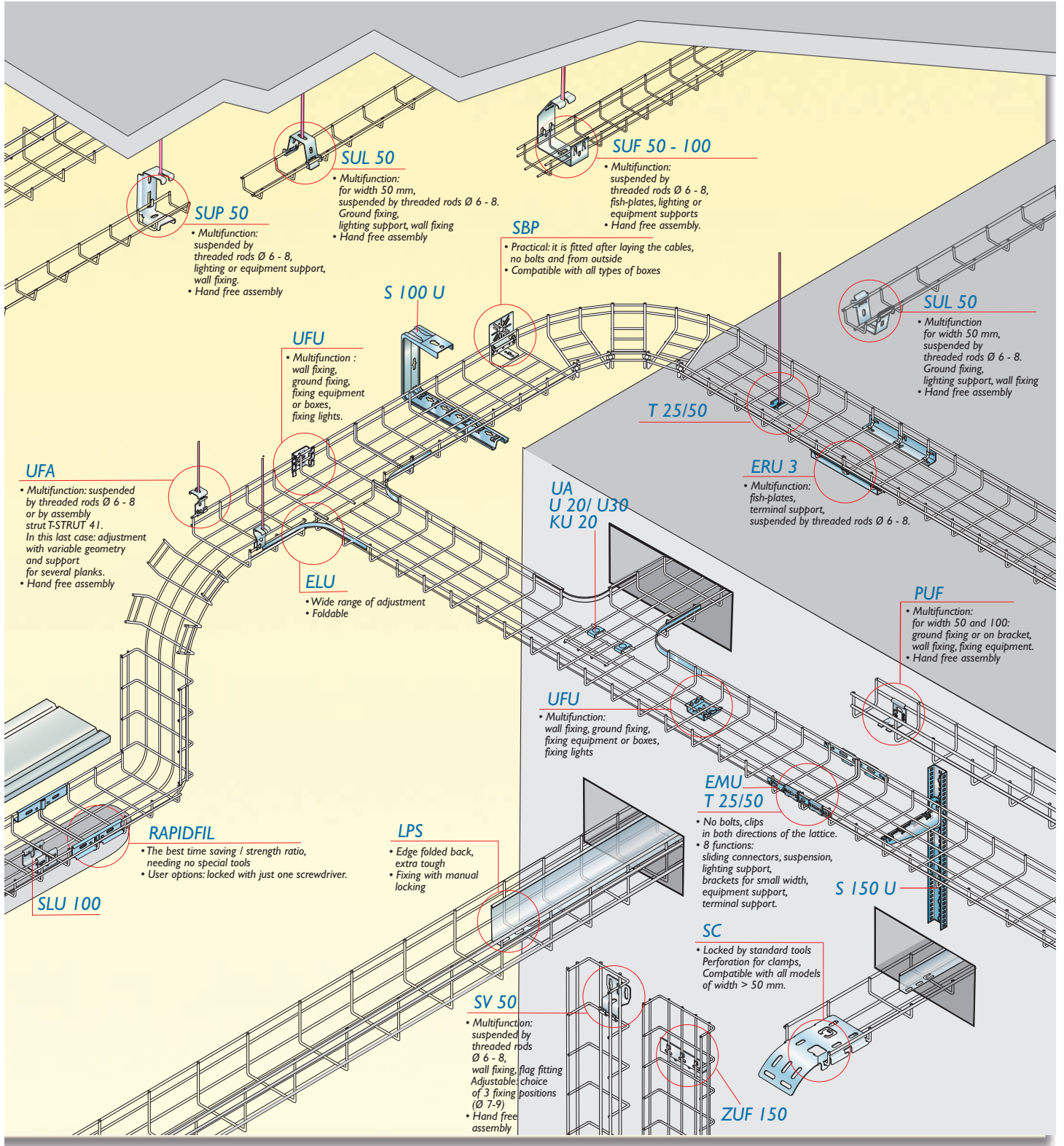
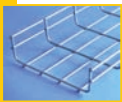




BASKET TRAY - UNIFIL® RANGE





NEW UNIFIL RANGE

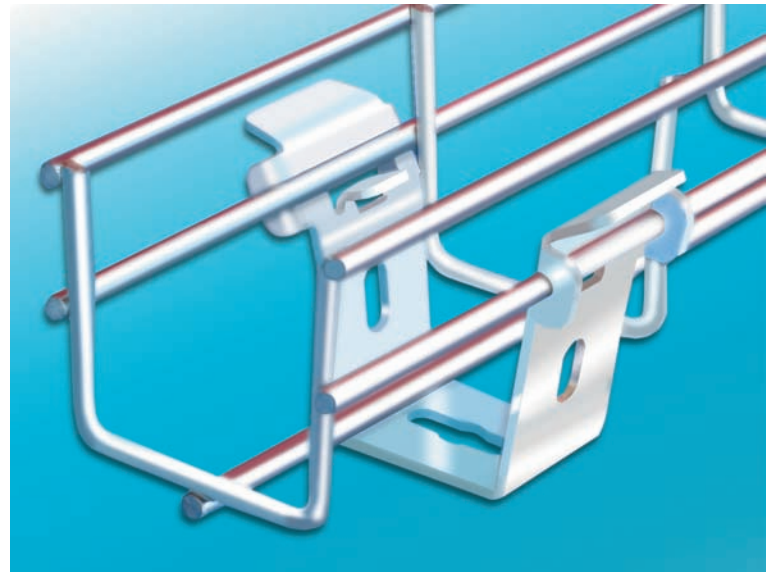
- Solutions that professionals are looking for.
- Designed to the highest quality standards in the business.

Simplicity:

• Multifonction : Fewer items for easier management, many functions with easier installation.



• Universal: A single concept of UNIFIL cable tray supports or metal cable trays. Much simpler worksites.



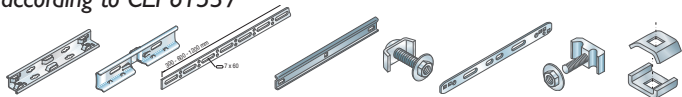
Safety:

• Does not harm cables: flush cable trays, accessories with rounded edges.

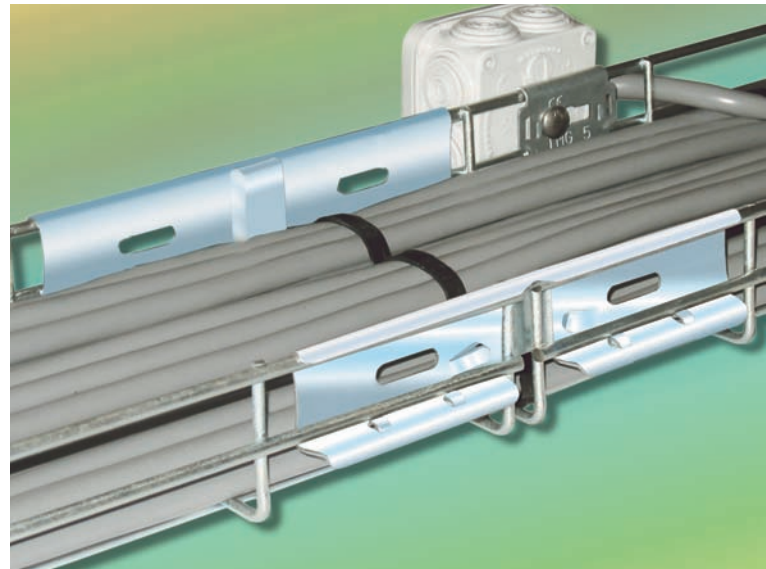
• Performances: bearing loads for up to 2m Professional quality and thicknesses.



• Electrical continuity of the clipped or bolted connections according to CEI 61537



• Hand free: solutions for the safety of assemblers.

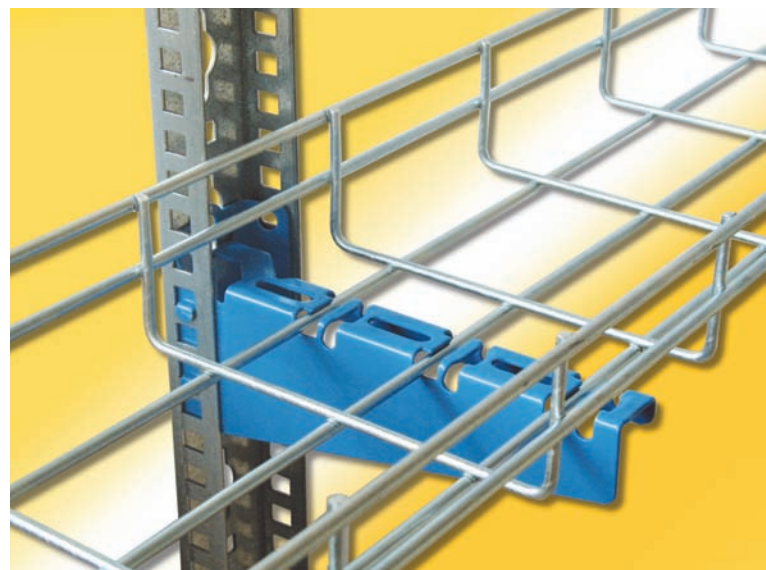


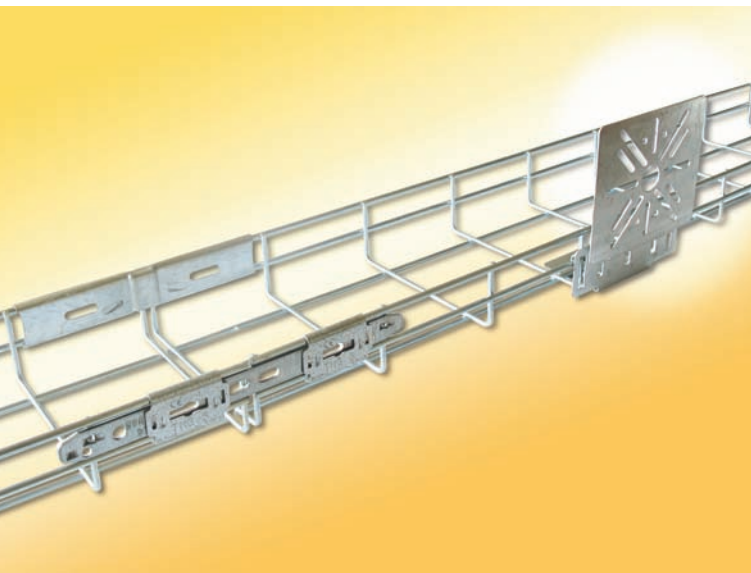
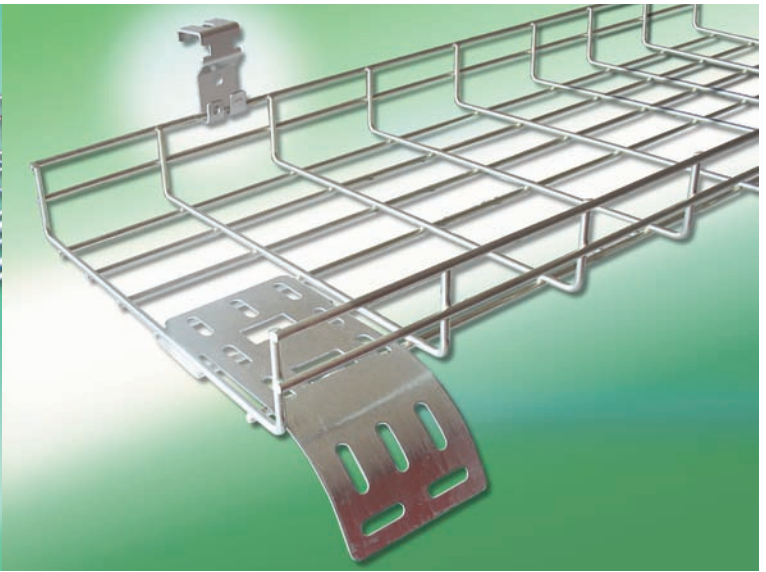
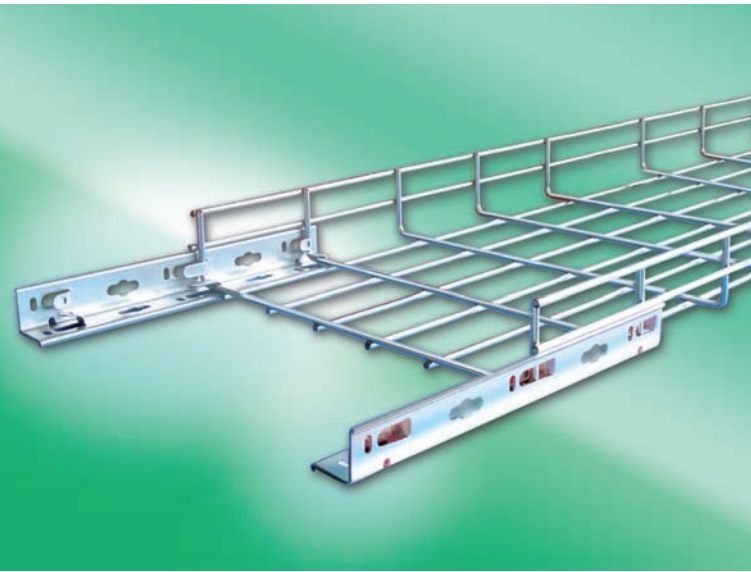
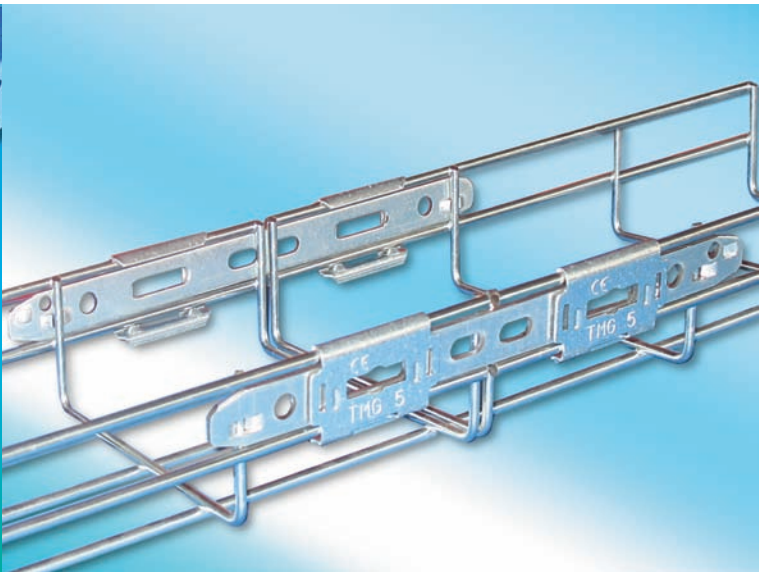
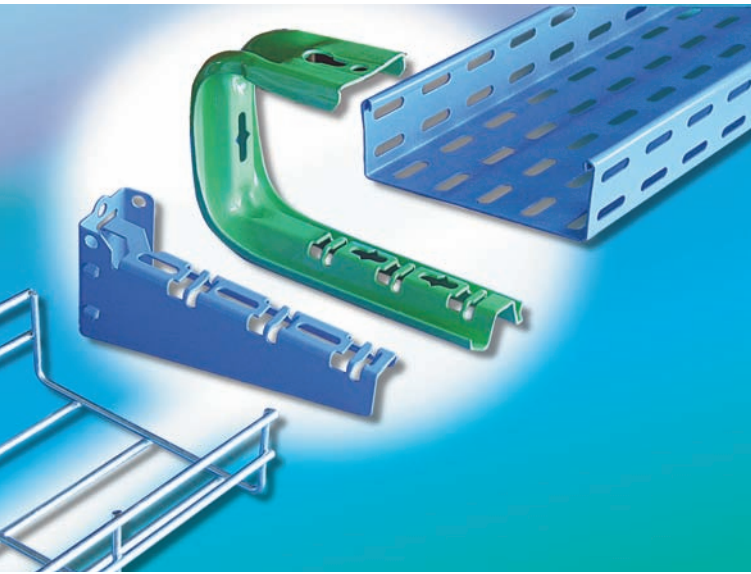
Economy:

• Savings in installation time: rapid systems not needing tools or bolts maintaining the safety and quality of the assembly.



• Limited number of items: savings in management and stock thanks to single systems for several applications.





Symbols



Height



Width



Splicing



Curved assembly



Time saving



Clip fastening



Only requires one screwdriver



Hand free



No bolts



Electrical continuity



Multifunction



New



Universal



SWL : Safe Working Load



BASKET TRAY - UNIFIL® RANGE

APPLICATIONS :

Any industrial and commercial requiring a good ventilation and an easy identification of cables.

BENEFITS :

- Quick installation, simple conception
- Electrical continuity in compliance with the IEC 61537 standard
- Natural ventilation and identification of cables
- Safety for contractors and cables: easy handling
- Aesthetic : Can be used in any location
- Hygienic : no dust or bacterium accumulation
- Adjustable : easy retrofiting
- Recyclable : no chromium
- A comprehensive range of ancillary items suitable to any installation configuration
- Versatile : large range 30 up to 10 mm height, 50 up to 600 mm width
- Direct wall or hanging fixing G-shaped range.

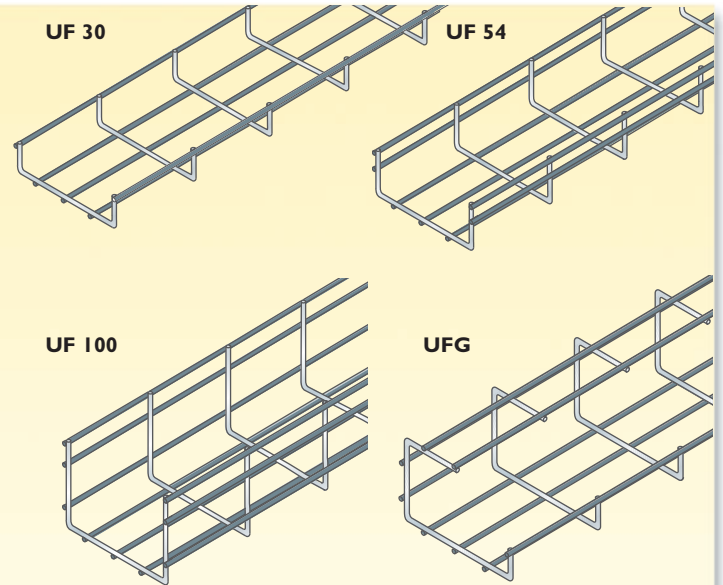
SPECIFICATIONS :

TOLMEGA basket tray with safety flange and adapted diameters of wires to optimise load admissibility, UNIFIL type or equivalent to IEC 61537.

This specification is a format for engineering specification.

This format is to be used as a guide.

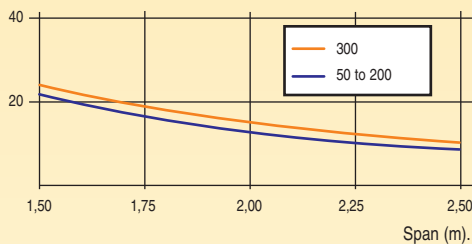
Certain conditions of the intended application, however, may require modifications.



Loading graphs *

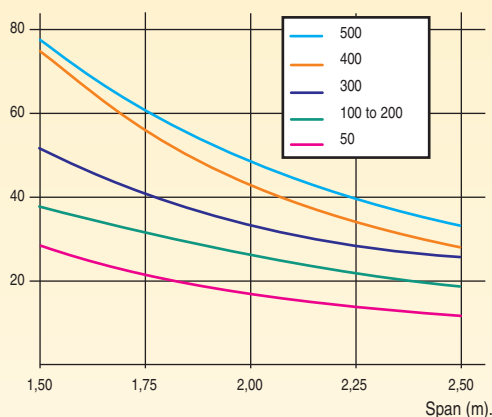
UF 30

SWL (Safe Working Load) kg/m.



UF 54

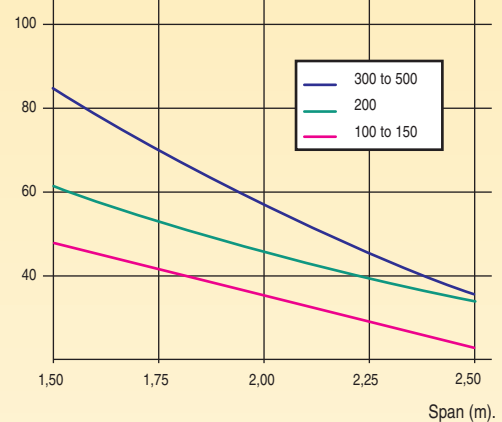
SWL (Safe Working Load) kg/m.



* Safe working load test according to IEC 61537: type 2 tests instructions. Results are selected according to the L/100 max. deflection and the 1.7 safety factor on the resistance while breaking. See page 1-8.

UF 100

SWL (Safe Working Load) kg/m.



Maximum load capacity (kg/m) according to cable density

Width (mm)	Power cables			Data cables		
	0,28 kg/cm³/ml			0,15 kg/cm³/ml		
	Height (mm)			Height (mm)		
50	4,2	7,6		2,3	4,1	
100	8,4	15,1	28,0	4,5	8,1	15,0
150	12,6	22,7		6,8	12,2	
200	16,8	30,2	56,0	9,0	16,2	30,0
300	25,2	45,4	84,0	13,5	24,3	45,0
400		60,5	112,0		32,4	60,0
500		75,6	140,0		40,5	75,0
600		90			48	

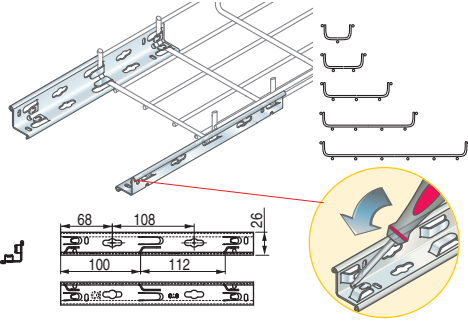
UF 30

• **UFP:** The time saving solution suitable for heavy loads. Prefitted fish-plates for extremely tough secure assembly.

• **UF 30/70:** Exclusive, 2 wires in the bottom for perfect stability when directly fixing on walls. Use: telex, small control circuit, terminal circuit.

- PG: CONTINUOUS PREGALVANIZED
- EZ: ELECTROGALVANIZED
- HDG: HOT DIP GALVANIZED

UFP 30 PREFITTED 50 to 300

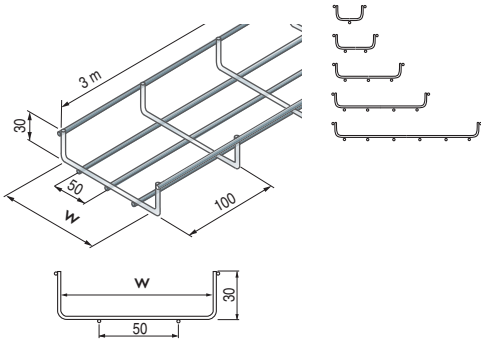


	w mm	ml	Kg/m
UFP 30 / 50	50	-	0,76
UFP 30 / 100	100	-	0,96
UFP 30 / 150	150	-	1,16
UFP 30 / 200	200	-	1,40
UFP 30 / 300	300	-	1,80

	PG	EZ	HDG
UFP 30 / 50	900530	947530	948530
UFP 30 / 100	900531	947531	948531
UFP 30 / 150	900532	947532	948532
UFP 30 / 200	900533	947533	948533
UFP 30 / 300	900534	947534	948534



UF 30 / 50 to 300

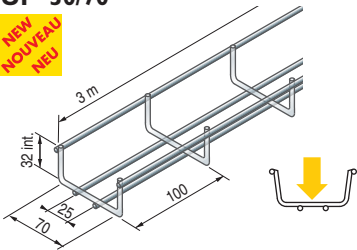


	w mm	ml	Kg/m
UF 30 / 50	50	-	0,53
UF 30 / 100	100	-	0,72
UF 30 / 150	150	-	0,92
UF 30 / 200	200	-	1,11
UF 30 / 300	300	-	1,49

	PG	EZ	HDG
UF 30 / 50	400530	547530	548530
UF 30 / 100	400531	547531	548531
UF 30 / 150	400532	547532	548532
UF 30 / 200	400533	547533	548533
UF 30 / 300	400534	547534	548534

UF 30/70

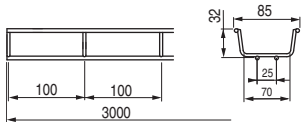
NEW
NOUVEAU
NEU



	w mm	ml	Kg/m
UF 30/70	70	0,70	

	PG	EZ	HDG
UF 30/70	400299	547299	548299

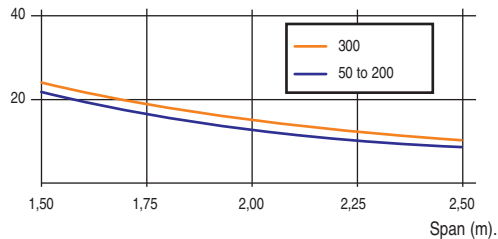
Direct fixing thanks to the 2 wires on the bottom



Maximum load capacity (kg/m) according to cable density

Width (mm)	Power cables		Data cables	
	0,28 kg/cm ² /ml	Height (mm)	0,15 kg/cm ² /ml	Height (mm)
50	4,2	30	2,3	30
100	8,4	30	4,5	30
150	12,6	30	6,8	30
200	16,8	30	9,0	30
300	25,2	30	13,5	30

CPS (Charge Pratique de Sécurité) en kg/m.



* Safe working load test according to IEC 61537: type 2 tests instructions. Results are selected according to the L/100 max. deflection and the I.7

UF 30 ACCESSORIES



- **ERU 3** : new concept, user friendly, rounded-off edges, even tougher
Does not jut out: compatible with assembly against a wall.
- Exclusive: new non-return pins.

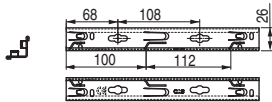
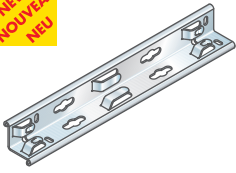
- Multifunction: fish-plates, terminal support, suspended by threaded rods (p.13)
- User options: help with assembly and locking possible with just one screwdriver (recommended for L < 300 mm).

- **KU 20**: rapid prefitted crimp kit.
- **LPS**: new tougher angle with manual locking.

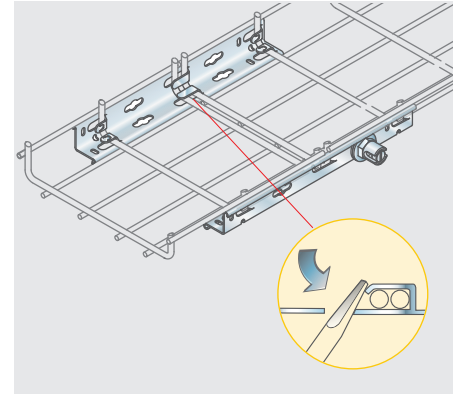
- SZ : SENDZIMIR
- HDG: HOT DIP GALVANIZED
- EZ: ELECTROGALVANIZED
- GM: GEOMET
- 304: STAINLESS STEEL 304 L

ERU 3: rapid fit connector

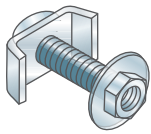
NEW
NOUVEAU
NEU



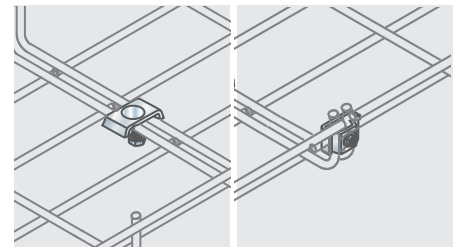
	⊞ p	Kg/p	EZ	GM
ERU 3	50	0,23	552136	553136



K U20

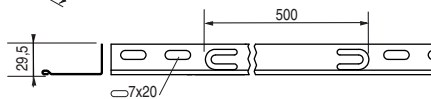
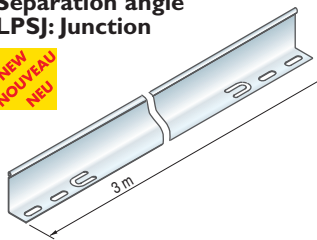


	⊞	Kg/p	EZ	GM
K U20	50	0,033	552134	553134

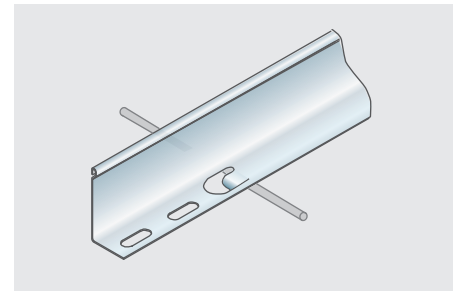


LPS 30: Separation angle LPSJ: Junction

NEW
NOUVEAU
NEU



	Kg/m	SZ	HDG
LPS 30	-	400060	548060
LPSJ	25	0,014	GEOMET 553143



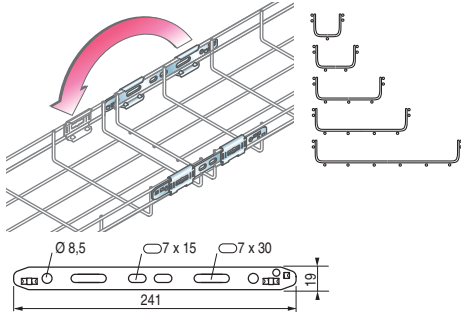
UF 54

- **UFR**: prefitted sliding connectors. Does not deform during transport. As tough as bolted connectors. Dismountable and reusable, even in the angles.
- **UFP**: the time saving solution suitable for heavy loads. Prefitted connectors for extremely tough secure assembly.

- **UF 54/70** : exclusive, 2 wires in the bottom for perfect stability when directly fixing on walls. Use: telex, small control circuit, terminal circuit.

- PG: CONTINUOUS PREGALVANIZED
- EZ: ELECTROGALVANIZED
- HDG: HOT DIP GALVANIZED

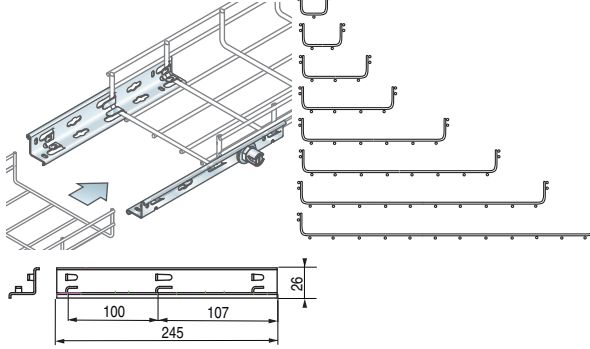
UFR 54 PREFITTED CONNECTORS ®



	w mm	ml	Kg/m	PG	EZ	HDG
UFR 54 / 50	50	-	0,99	900535	947535	948535
UFR 54 / 100	100	-	1,24	900536	947536	948536
UFR 54 / 150	150	-	1,47	900537	947537	948537
UFR 54 / 200	200	-	1,69	900538	947538	948538
UFR 54 / 300	300	-	2,09	900539	947539	948539



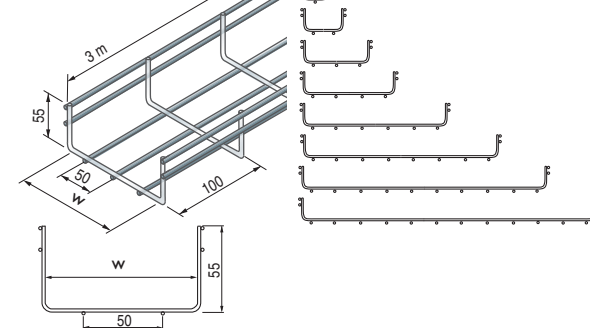
PRE-ASSEMBLED UF 54



UFP 54 / 50	50	-	0,00	900543	947543	948543
UFP 54 / 100	100	-	0,00	900544	947544	948544
UFP 54 / 150	150	-	0,00	900545	947545	948545
UFP 54 / 200	200	-	0,00	900546	947546	948546
UFP 54 / 300	300	-	0,00	900547	947547	948547
UFP 54 / 400	400	-	2,90	900540	947540	948540
UFP 54 / 500	500	-	3,40	900541	947541	948541
UFP 54 / 600	600	-	4,00	900542	947542	948542

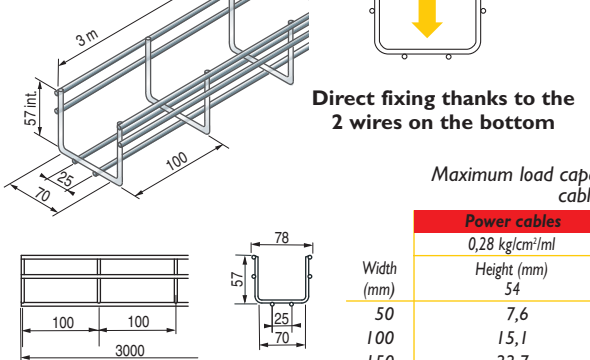


UF 54 / 50 to 600



UF 54 / 50	50	-	0,90	400535	547535	548535
UF 54 / 100	100	-	1,06	400536	547536	548536
UF 54 / 150	150	-	1,25	400537	547537	548537
UF 54 / 200	200	-	1,44	400538	547538	548538
UF 54 / 300	300	-	2,03	400539	547539	548539
UF 54 / 400	400	-	2,81	400540	547540	548540
UF 54 / 500	500	-	3,31	400541	547541	548541
UF 54 / 600	600	-	3,81	400542	547542	548542

UF 54/70



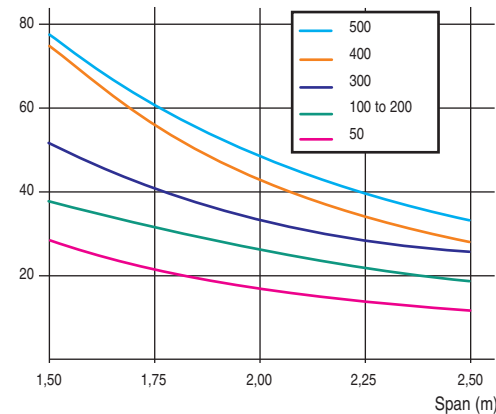
Direct fixing thanks to the 2 wires on the bottom

Maximum load capacity (kg/m) according to cable density

Width (mm)	Power cables	Data cables
	0,28 kg/cm ² /ml Height (mm) 54	0,15 kg/cm ² /ml Height (mm) 54
50	7,6	4,1
100	15,1	8,1
150	22,7	12,2
200	30,2	16,2
300	45,4	24,3
400	60,5	32,4
500	75,6	40,5
600	90	48

UF 54 / 70	70	1,00	400300	547300	548300
------------	----	------	--------	--------	--------

SWL (Safe Working Load) kg/m.



* Safe working load test according to IEC 61537: type 2 tests instructions. Results are selected according to the L/100 max. deflection and the 1.7

UF 54 ACCESSORIES

- **ERU 3** : new concept, user friendly, rounded-off edges, even tougher
Does not jut out: compatible with assembly against a wall.
- Exclusive: new non-return pins.

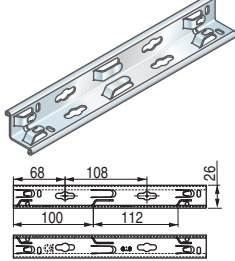
- Multifunction: fish-plates, terminal support, suspended by threaded rods (p. 13).
- User options: help with assembly and locking possible with just one screwdriver (recommended for < 300 mm).
- **RAPIDFIL**: the best time saving / strength ratio, needing no special tools.
User options: locked with just one screwdriver.

- **ELU**: foldable, wide range of adjustment.
- **KU 20**: rapid prefitted crimp kit.
- **LPS**: new tougher angle with manual locking.

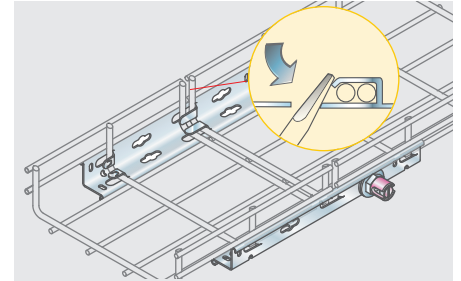
- G: SENDZIMIR
- HDG: HOT DIP GALVANIZED
- EZ: ELECTROGALVANIZED
- GM: GEOMET
- 304: STAINLESS STEEL 304 L

ERU 3: rapid fit connector

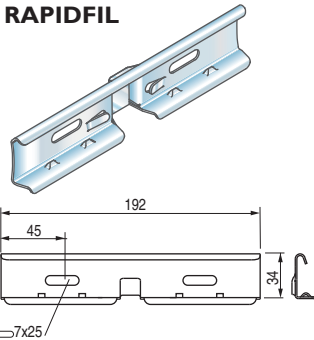
NEW
NOUVEAU
NEU



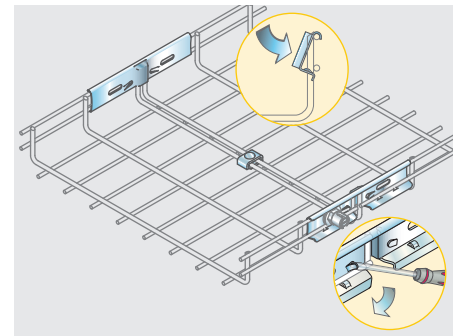
	ϕ	Kg/p	EZ	GM
ERU 3	50	0,23	552136	553136



RAPIDFIL

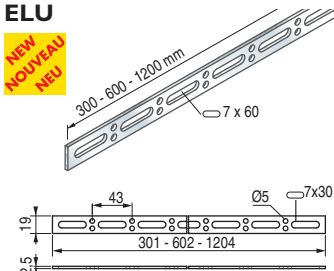


			G	GM
RAPIDFIL 50	50	0,10	552030	553030

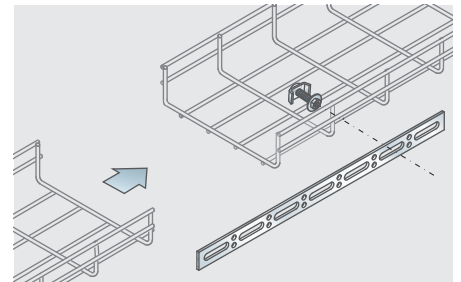
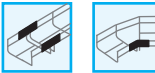


ELU

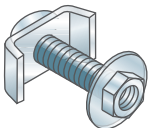
NEW
NOUVEAU
NEU



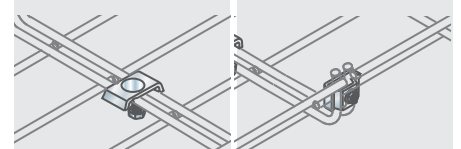
		Kg/m	EZ	HDG
ELU 300	25	0,08	552038	553038
ELU 600	25	0,17	552044	553044
ELU 1200	25	0,32	552045	553045



K U20

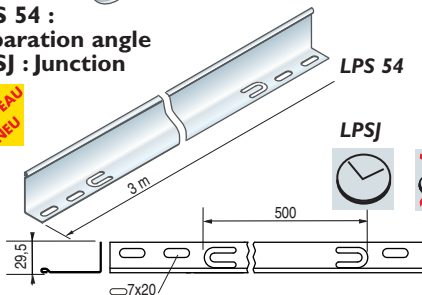


		Kg/p	EZ	GM
K U20	50	0,033	552134	553134

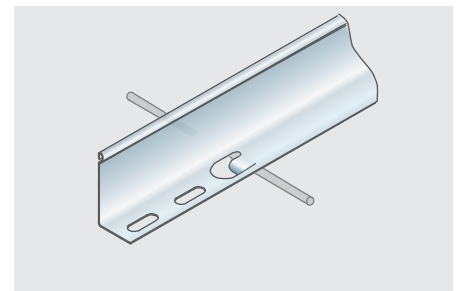


LPS 54 : Separation angle LPSJ : Junction

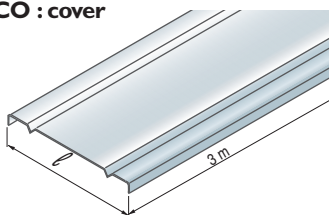
NEW
NOUVEAU
NEU



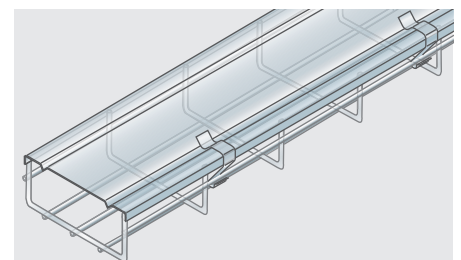
		Kg/m	G	HDG
LPS 54	-	0,47	400061	548061
LPSJ	25	0,014		GEOMET 553143



CO : cover



		Kg/m		
CO 50	-	0,36	547050	548050
CO 70	-	0,32	547058	548058
CO 100	-	0,67	547051	548051
CO 150	-	0,90	547052	548052
CO 200	-	1,40	547053	548053
CO 300	-	2,00	547054	548054
CO 400	-	3,45	547055	548055
CO 500	-	4,25	547056	548056
CO 600	-	5,00	547057	548057



UF Clips



		Kg/p	304
UF Clips	20	0,005	554041

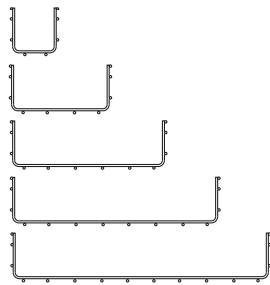
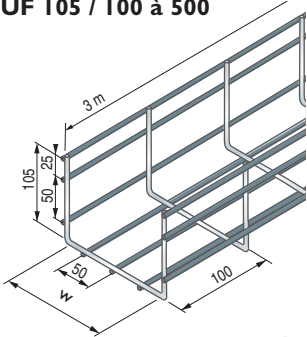
UF 105

- **UF 105:** high capacity, compatible for use with cable racks.
- **UFG:** direct assembly on wall or ceiling.

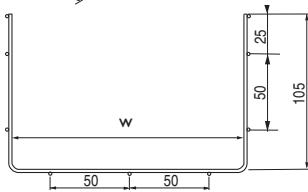
- **UFT:** new double mesh Telex 35 for machine equipment. Weldable directly on frame, or fixed by KU 20 / TRL + U 20.

- PG: CONTINUOUS PREGALVANIZING
- EZ: ELECTROGALVANIZED
- HDG: HOT DIP GALVANIZED

UF 105 / 100 à 500



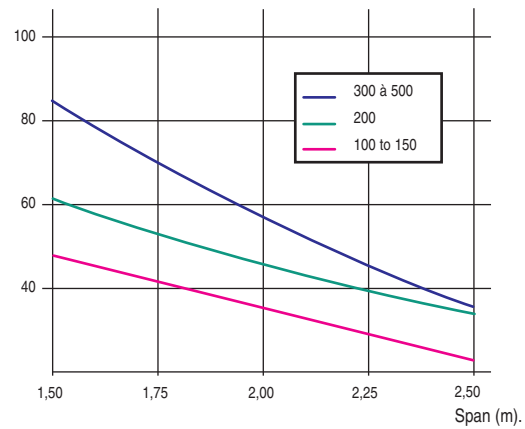
	w mm	Kg/m	PG	EZ	HDG
UF 105 / 100	100	1,44	400595	547595	548595
UF 105 / 200	200	2,03	400596	547596	548596
UF 105 / 300	300	2,81	400597	547597	548597
UF 105 / 400	400	3,31	400598	547598	548598
UF 105 / 500	500	3,82	400599	547599	548599



Maximum load capacity (kg/m) according to cable density

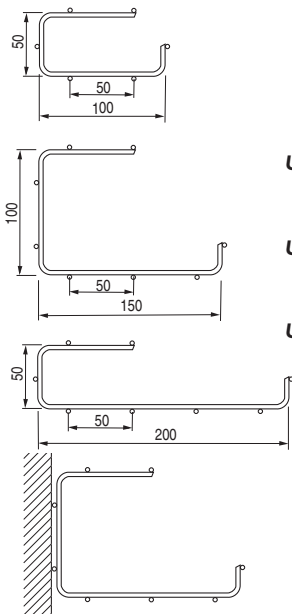
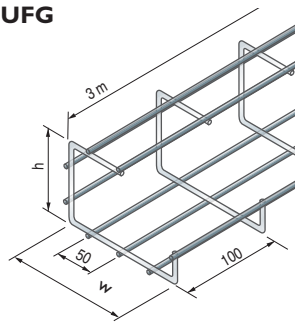
Width (mm)	Maximum load capacity (kg/m)	
	Power cables 0,28 kg/cm ² /ml Height (mm)	Data cables 0,15 kg/cm ² /ml Height (mm)
100	28,0	15,0
200	56,0	30,0
300	84,0	45,0
400	112,0	60,0
500	140,0	75,0

SWL (Safe Working Load) kg/m.



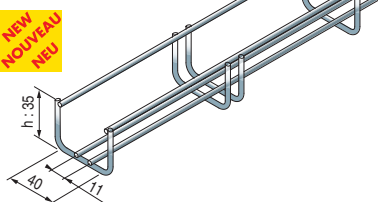
* Safe working load test according to IEC 61537: type 2 tests instructions. Results are selected according to the L/100 max. deflection and the I.7

UFG



	w mm	h mm	Kg/m	PG	EZ	HDG
UFG 50 / 100	100	50	1,24	400236	547236	548236
UFG 50 / 200	200	50	1,65	400238	547238	548238
UFG 100 / 150	150	100	1,65	400601	547601	548601

UFT



UFT 35/35	35	35	0,58		547298	548298
------------------	----	----	------	--	--------	--------

UF 105 ACCESSORIES



- **ERU 3:** new concept, user friendly, rounded-off edges, even tougher. Does not jut out: compatible with assembly against a wall.
- **Exclusive:** new non-return pins.

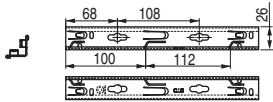
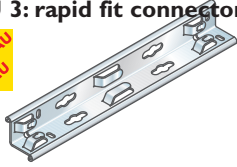
- **Multifunction:** fish-plates, terminal support, suspended by threaded rods (p. 13).
- **User options:** help with assembly and locking possible with just one screwdriver (recommended for < 300 mm).
- **RAPIDFIL:** the best time saving / strength ratio, needing no special tools. User options: locked with just one screwdriver.

- **ELU:** foldable, wide range of adjustment.
- **KU 20:** rapid prefitted crimp kit.
- **LPS:** new tougher angle with manual locking.

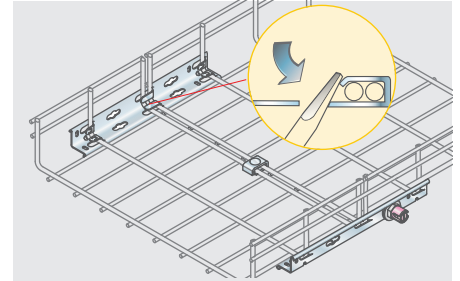
- G: SENDZIMIR
- HDG: HOT DIP GALVANIZED
- EZ: ELECTROGALVANIZED
- GM: GEOMET
- 304: STAINLESS STEEL 304 L

ERU 3: rapid fit connector

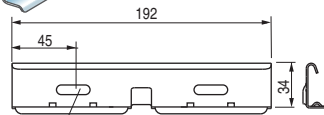
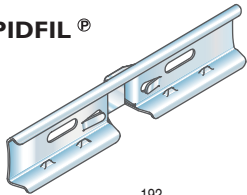
NEW NOUVEAU NEU



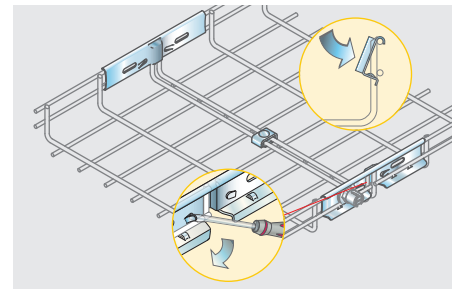
	⊞ p	Kg/p	EZ	GM
ERU 3	50	0,23	552136	553136



RAPIDFIL®

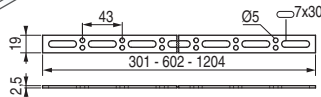
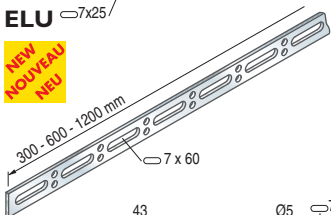


			G	GM
RAPIDFIL 50	50	0,10	552030	553030

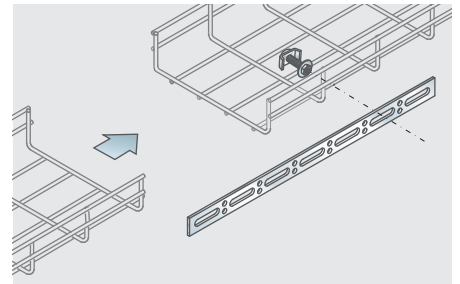
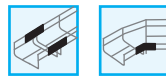


ELU 7x25

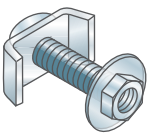
NEW NOUVEAU NEU



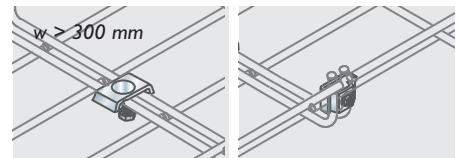
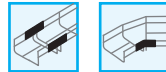
			EZ	HDG
ELU 300	25	0,08	552038	553038
ELU 600	25	0,17	552044	553044
ELU 1200	25	0,32	552045	553045



K U20

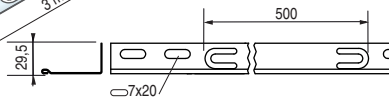
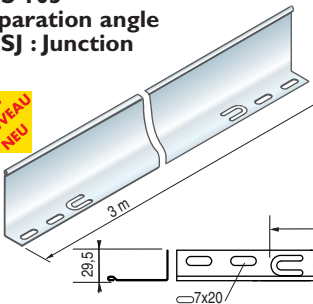


			EZ	GM
K U20	50	0,033	552134	553134

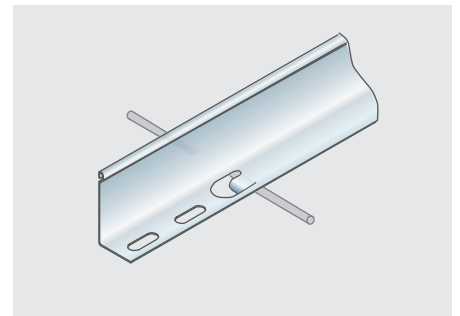


LPS 105 Separation angle LPSJ : Junction

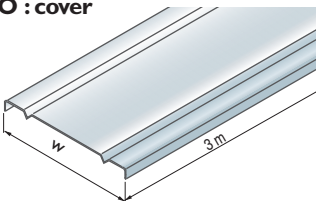
NEW NOUVEAU NEU



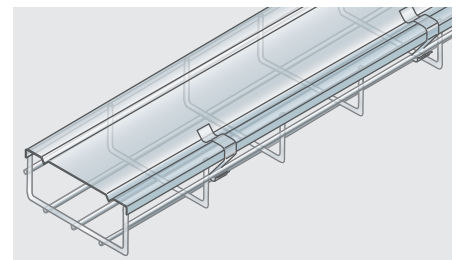
			G	HDG
LPS 105	-	Kg/m	400062	548062
LPSJ	25	Kg/p		GEOMET 553143



CO : cover



CO 50	-	0,36	547050	548050
CO 100	-	0,67	547051	548051
CO 150	-	0,90	547052	548052
CO 200	-	1,40	547053	548053
CO 300	-	2,00	547054	548054
CO 400	-	3,45	547055	548055
CO 500	-	4,25	547056	548056



UF Clips



			304
UF Clips	20	0,005	554041

Couplers

- **ERU 3**: new concept with rounded edges user friendly, even tougher.
Does not jut out: compatible with assembly against a wall.
- **Exclusif**: new non-return pins.

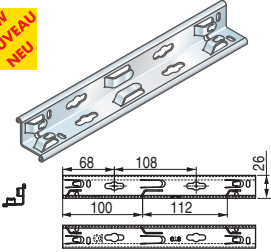
- **Multifunction**: fish-plates, terminal support, suspended by threaded rods (p. 13)
- **User options**: help with assembly and locking possible with just one screwdriver (recommended for <300 mm).
- **RAPIDFIL**: the best time saving / strength ratio, needing no special tools.
User options: locked with just one screwdriver.

- **T 25/50, EMU**: No bolts, clips in both directions of the lattice.
8 functions: sliding connectors, suspension, lighting support, brackets for small width, equipment support, terminal support.

- G: SENDZIMIR
- HDG: HOT DIP GALVANIZED
- GM: GEOMET
- EZ: ELECTROGALVANIZED

ERU 3 : rapid fit connector

NEW NOUVEAU NEU

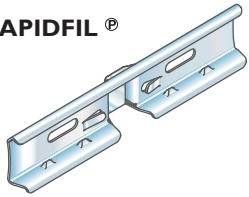


MULTI

	⌀ p	Kg/p	EZ	GM
ERU 3	50	0,23	552136	553136
ERU 1*	50	0,23	552116	553116

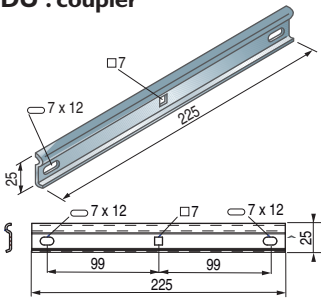
* while stocks last.

RAPIDFIL ®



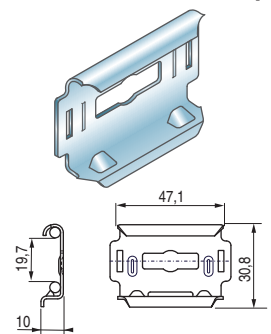
	⌀ p	Kg/p	G	GM
RAPIDFIL	50	0,10	552030	553030

EDU : coupler



	⌀ p	Kg/p	G	HDG
EDU	50	0,09	552117	553117

T 25/50: multifunction clip ®

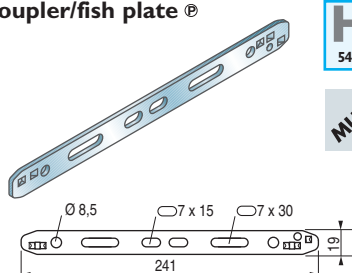


MULTI



	⌀ p	Kg/p	G	GM
T 25/50	50	0,02	552129	556129

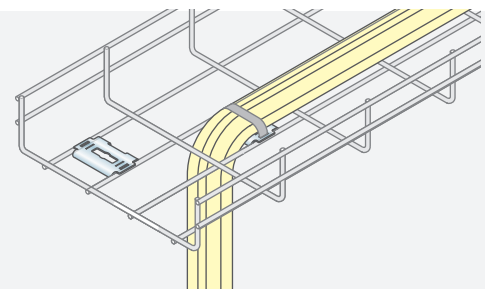
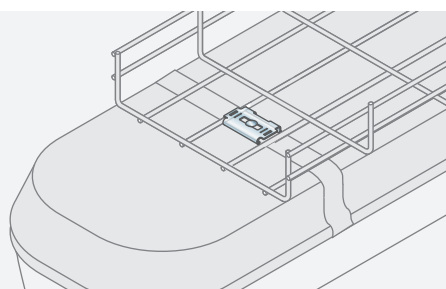
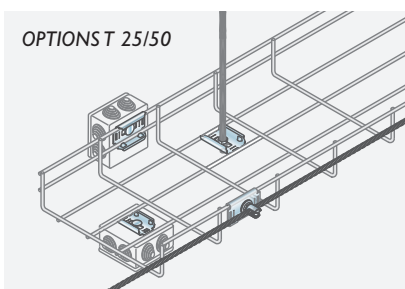
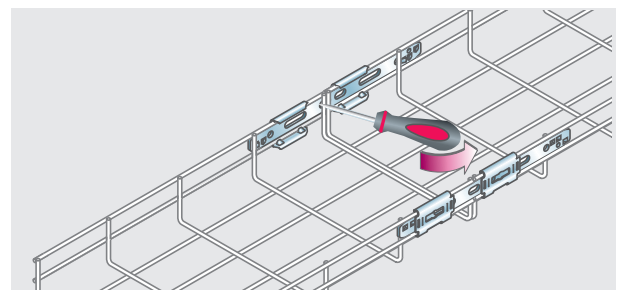
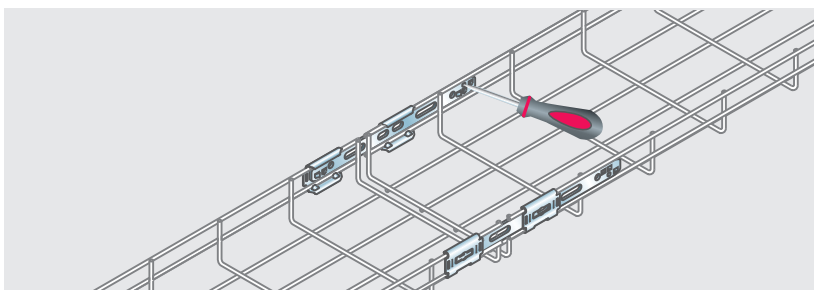
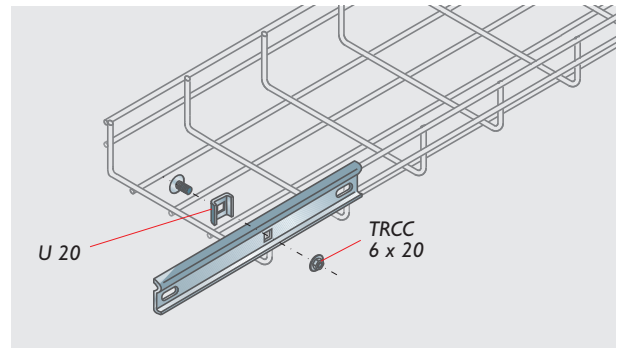
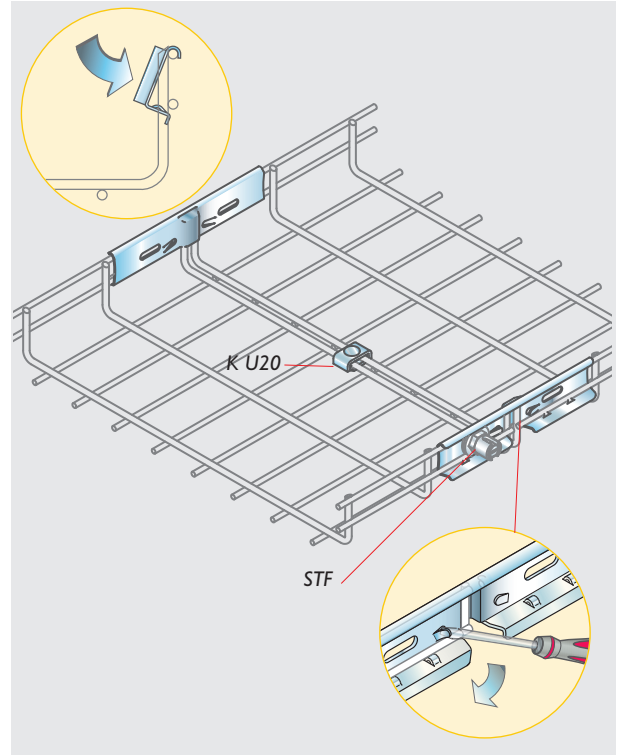
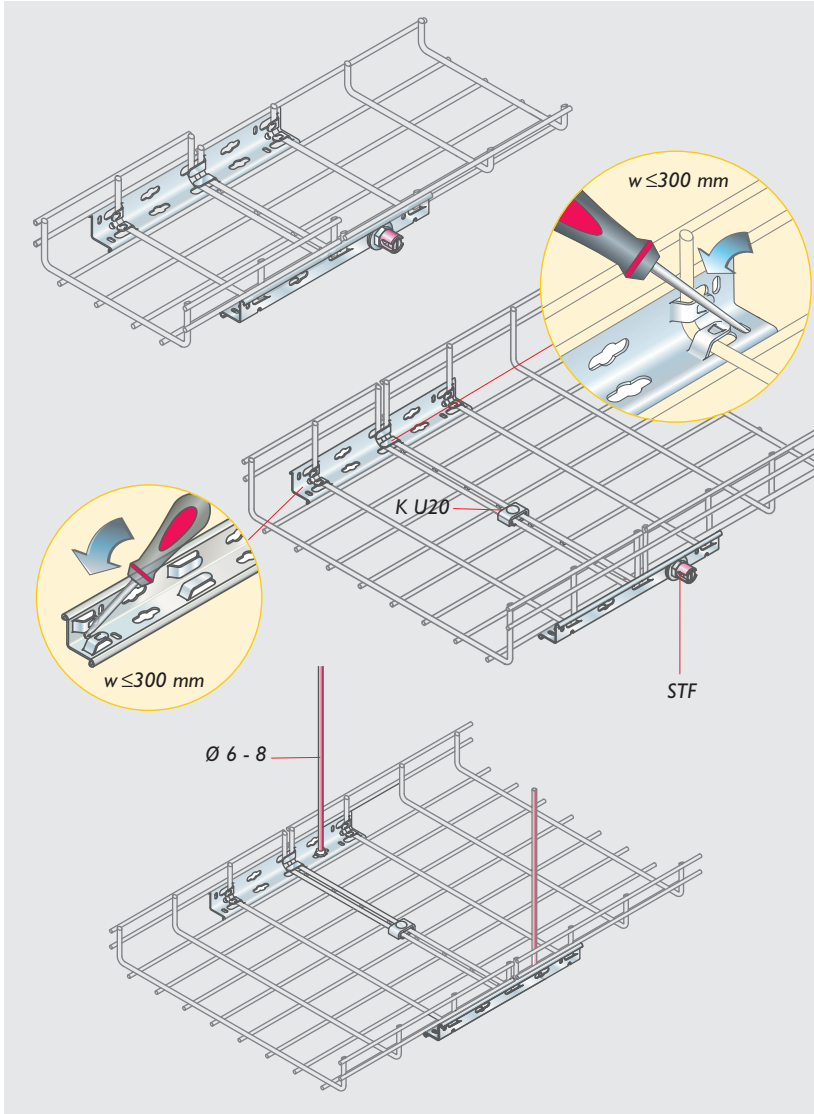
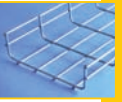
EMU: multifunction coupler/fish plate ®



MULTI

	⌀ p	Kg/p	G	GM
EMU	50	0,10	552128	556128

Couplers



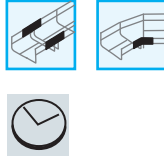
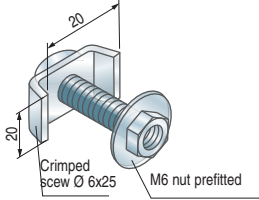
STRAIGHT OR CURVED ASSEMBLY

- **KU 20**: time saving: crimped screw and nut prefitted for straight or curved assembly.
- **ELU**: foldable, wide range of adjustment.

- **UA**: maximum strength thanks stamped wires.
For straight or curved assembly

- EZ: ELECTROGALVANIZED
- GM : GEOMET
- G: SENDZIMIR
- HDG: HOT DIP GALVANIZED

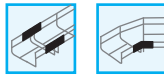
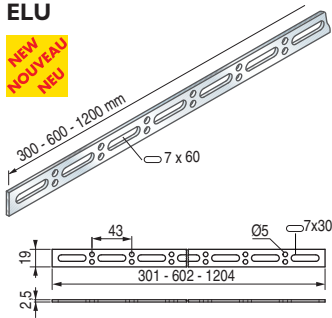
K U20 PRE-ASSEMBLED CONNECTOR UF 54



	P	Kg/p	EZ	GM
K U20	50	0,033	552134	553134

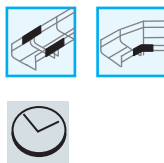
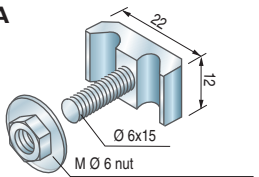
ELU

NEW
NOUVEAU
NEW



			EZ	HDG
ELU 600	25	0,17	552044	553044
ELU 1200	25	0,39	552045	553045

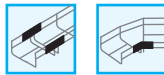
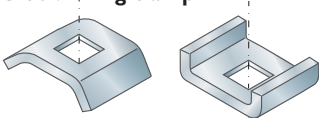
UA



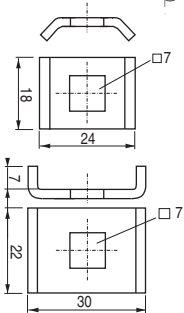
	P	Kg/ P	EZ
UA	50	1,20	552121

Delivered with M 6 Nut.

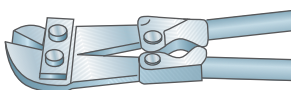
U 20 : Fixing clamp U 30 : Fixing clamp



	p	Kg/p	G	GM
U 20	50	0,006	552042	553042
U 30	50	0,008	552043	553043

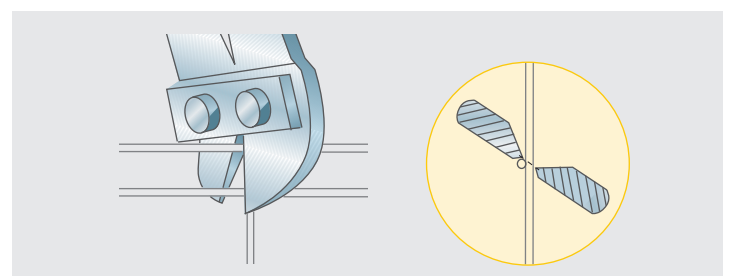
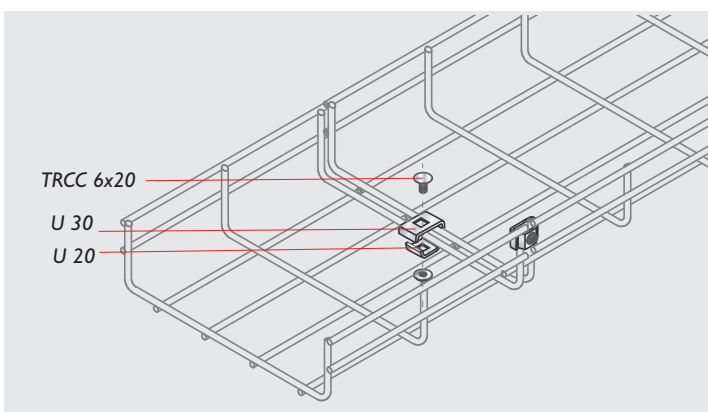
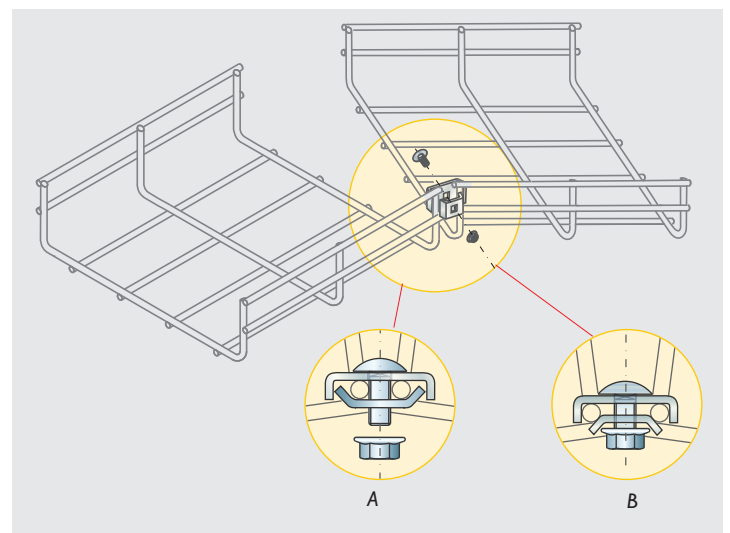
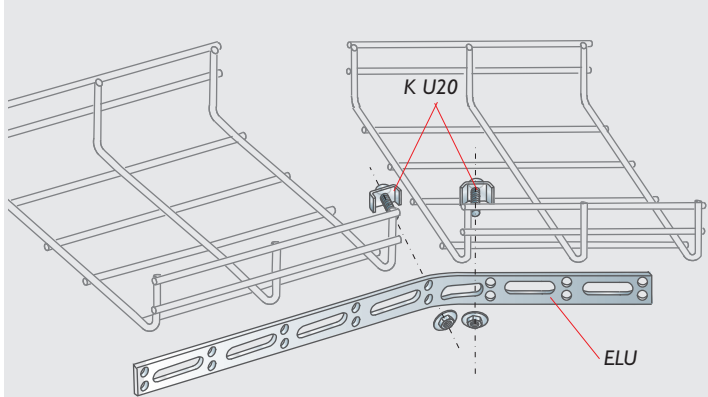
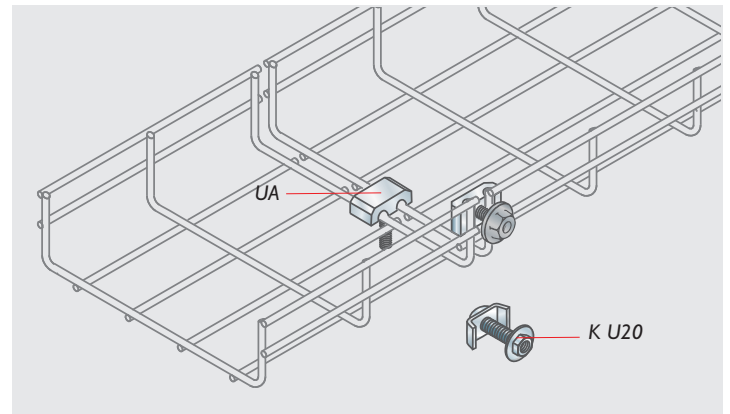
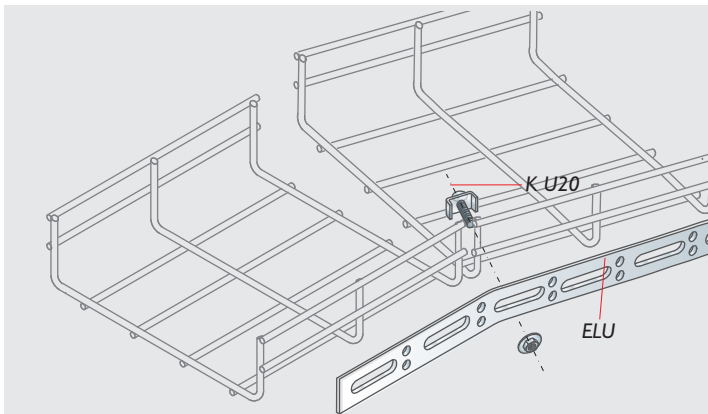
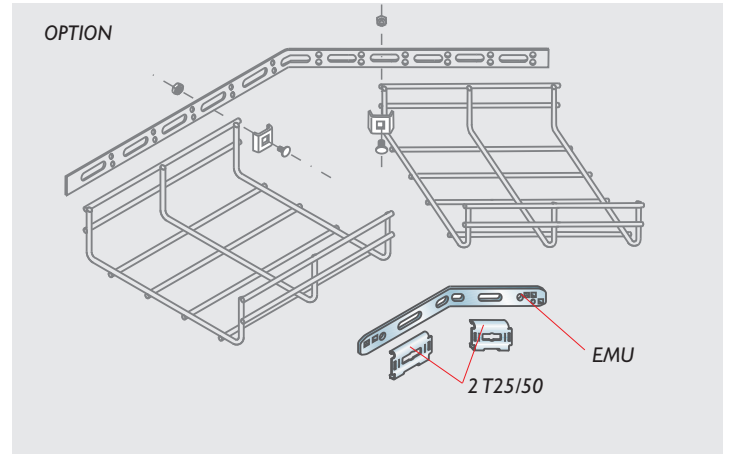
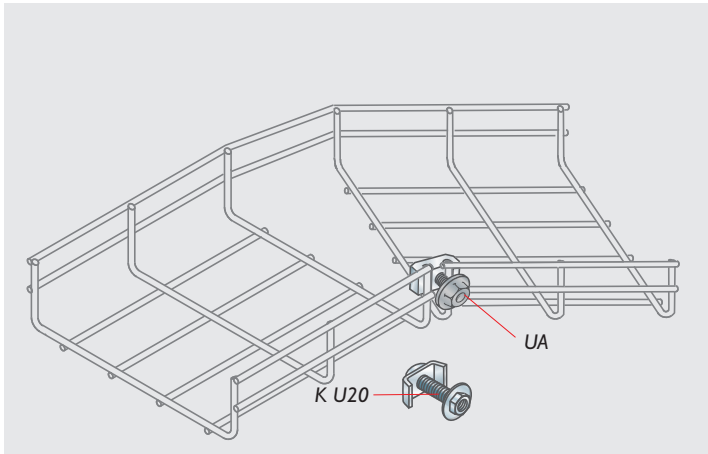


BOLT CUTTER

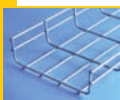


			EZ
Bolt cutter		2,80	552080

STRAIGHT OR CURVED ASSEMBLY



ACCESSORIES, LIGHTING supports, Cable outlet, Box supports, GROUND fixing



- **SBP** :- practical: it is fitted after laying the cables, no bolts and from outside
- Compatible with all types of boxes
- User options: lockable by bolt K U20.

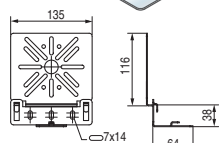
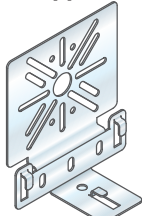
- **SUL 50**: Multifunction for width 50 mm
- Suspension (rod \varnothing 6 – 8).
- Ground fixing, lighting support, wall fixing.
- Hand free assembly, thanks to positive clipping, the part can be prepositioned with just one hand
- User options: finally locked in position by screwdriver.

- **SC** :- assembly without bolts
- Locked by standard tools
- Perforation for clamps, compatible with all models of width > 50 mm.

- G: SENDZIMIR
- HDG: HOT DIP GALVANIZED
- GM : GEOMET

SBP: box support

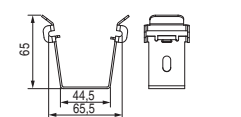
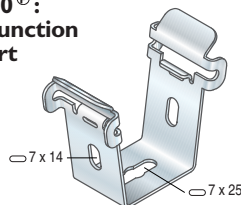
NEW NOUVEAU NEU



	\varnothing p	Kg/p	G	GM
SBP	10	0,16	552145	553145

SUL 50[®]: multifunction support

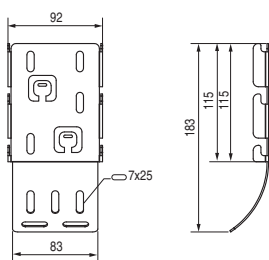
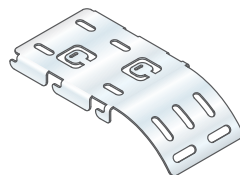
NEW NOUVEAU NEU



	daN			G	GM
SUL 50	40	10	0,13	552118	553118

SC: cable outlet

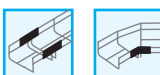
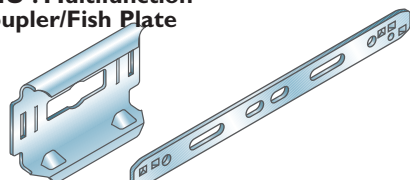
NEW NOUVEAU NEU



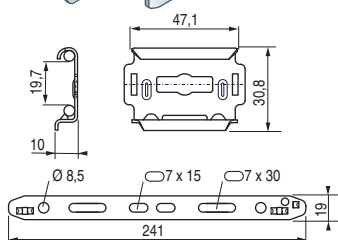
				G	GM
SC	-	10	0,16	552144	553144

T 25/50: Multifunction Clip[®] EMU : Multifunction[®] Coupler/Fish Plate

NEW NOUVEAU NEU

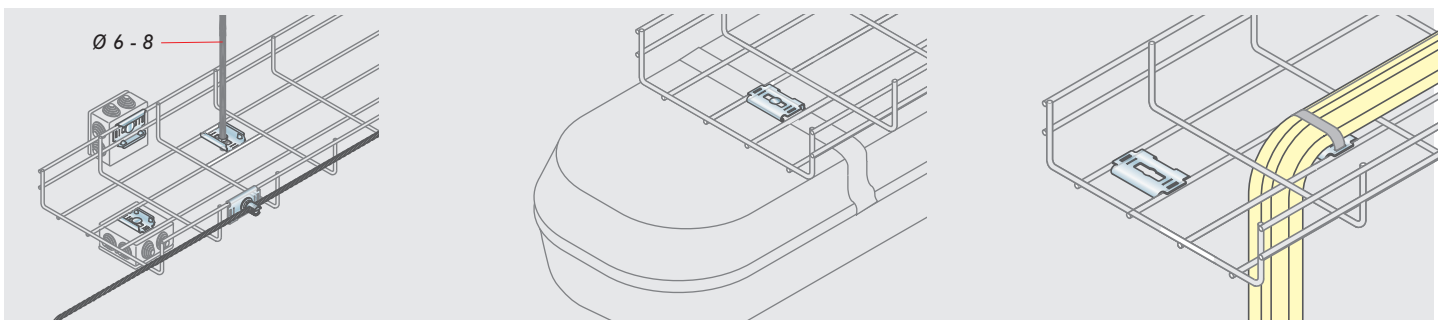
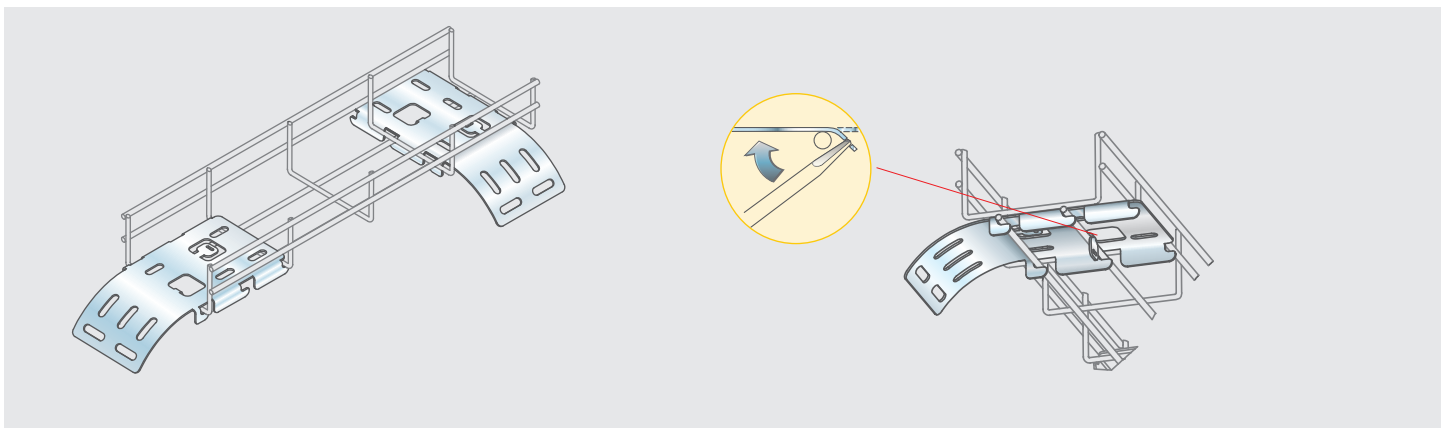
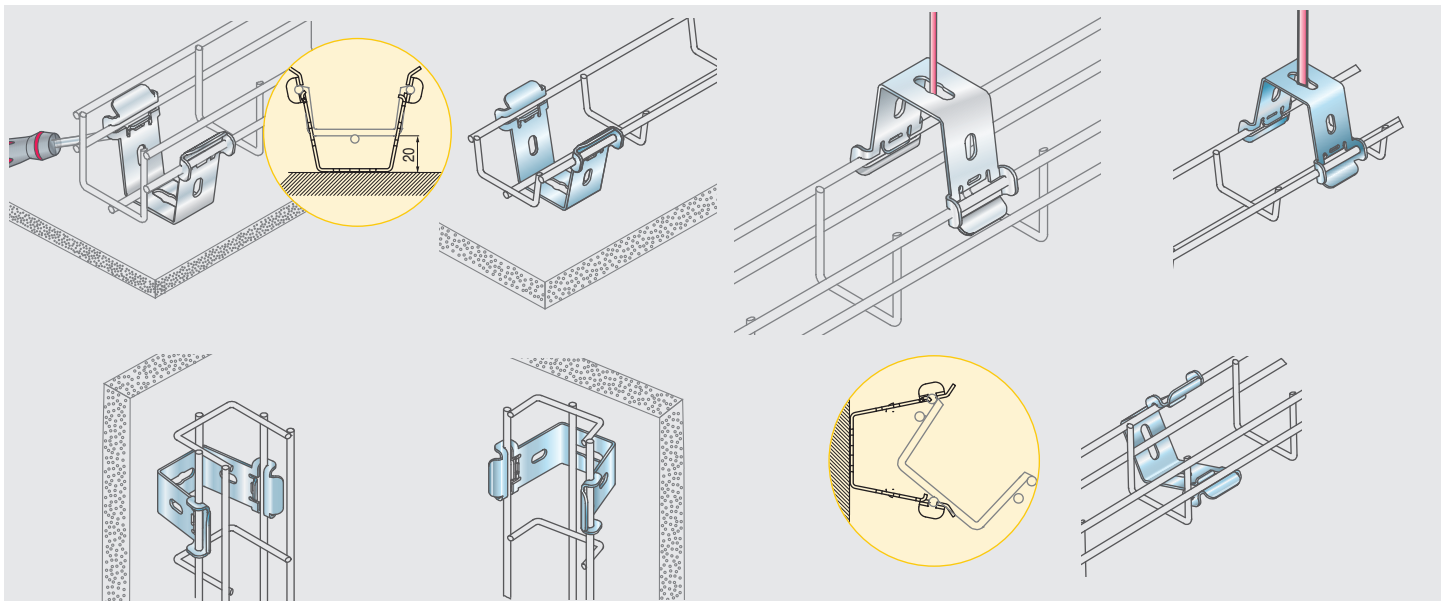
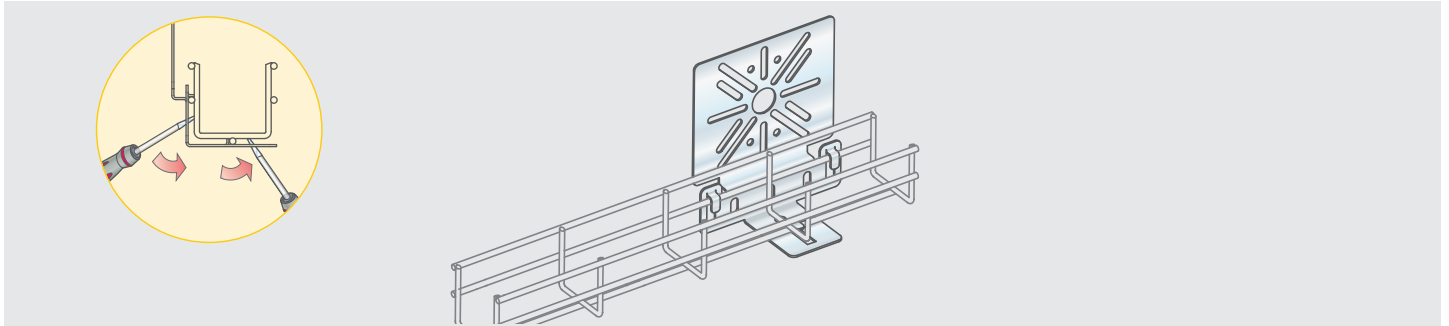


				G	GM
T 25/50	-	50	0,02	552129	556129
EMU	-	50	0,10	552128	556128





- **T 25/50, EMU:** No bolts, clips in both directions of the lattice.
8 functions: sliding connectors, suspension, lighting support, bracket for small widths, equipment support, terminal support.





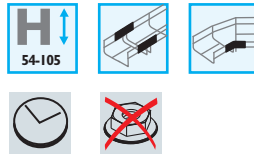
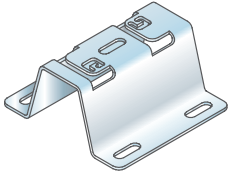
ACCESSORIES, LIGHTING SUPPORTS, CABLE OUTLET, BOX SUPPORTS, GROUND FIXING

• **SH 100** :- ground mounting bracket
no bolts, height 46 mm.

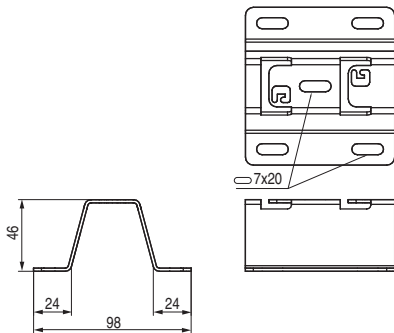
G: SENDZIMIR
HDG: HOT DIP GALVANIZED
GM : GEOMET

SH 100: horizontal support

NEW
NOUVEAU
NEW

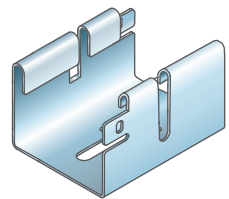


	↓ daN	Ⓟ P	Kg/p	G	GM
SH 100	150	20	0,22	552142	553142

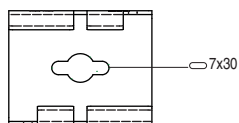
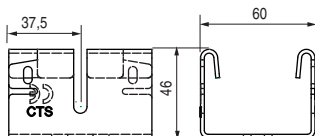


SLU 100: lighting support

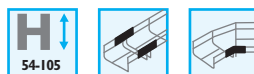
NEW
NOUVEAU
NEW



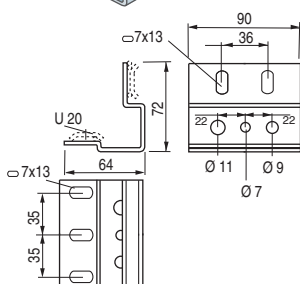
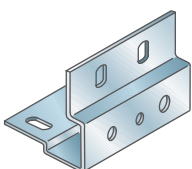
SLU 100	150	10	0,22	552146	553146
---------	-----	----	------	--------	--------



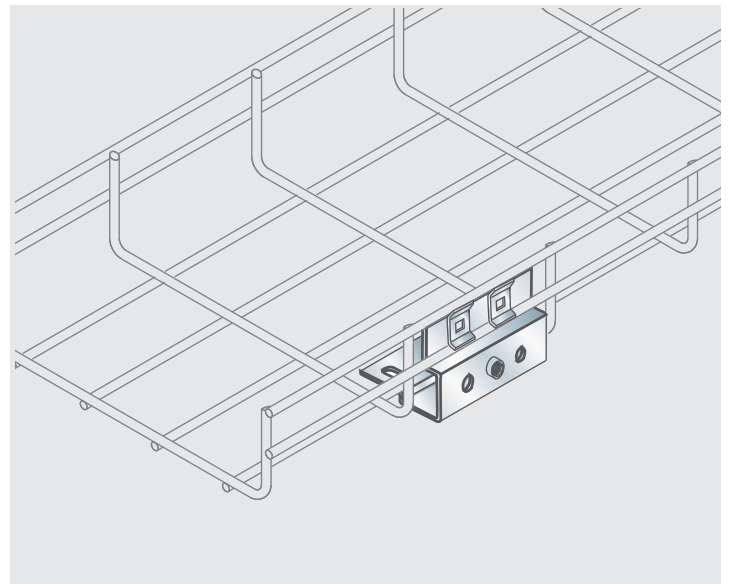
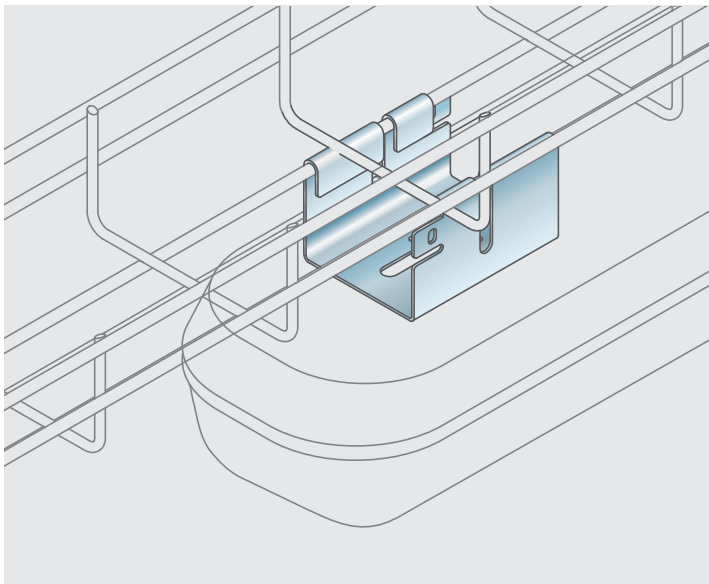
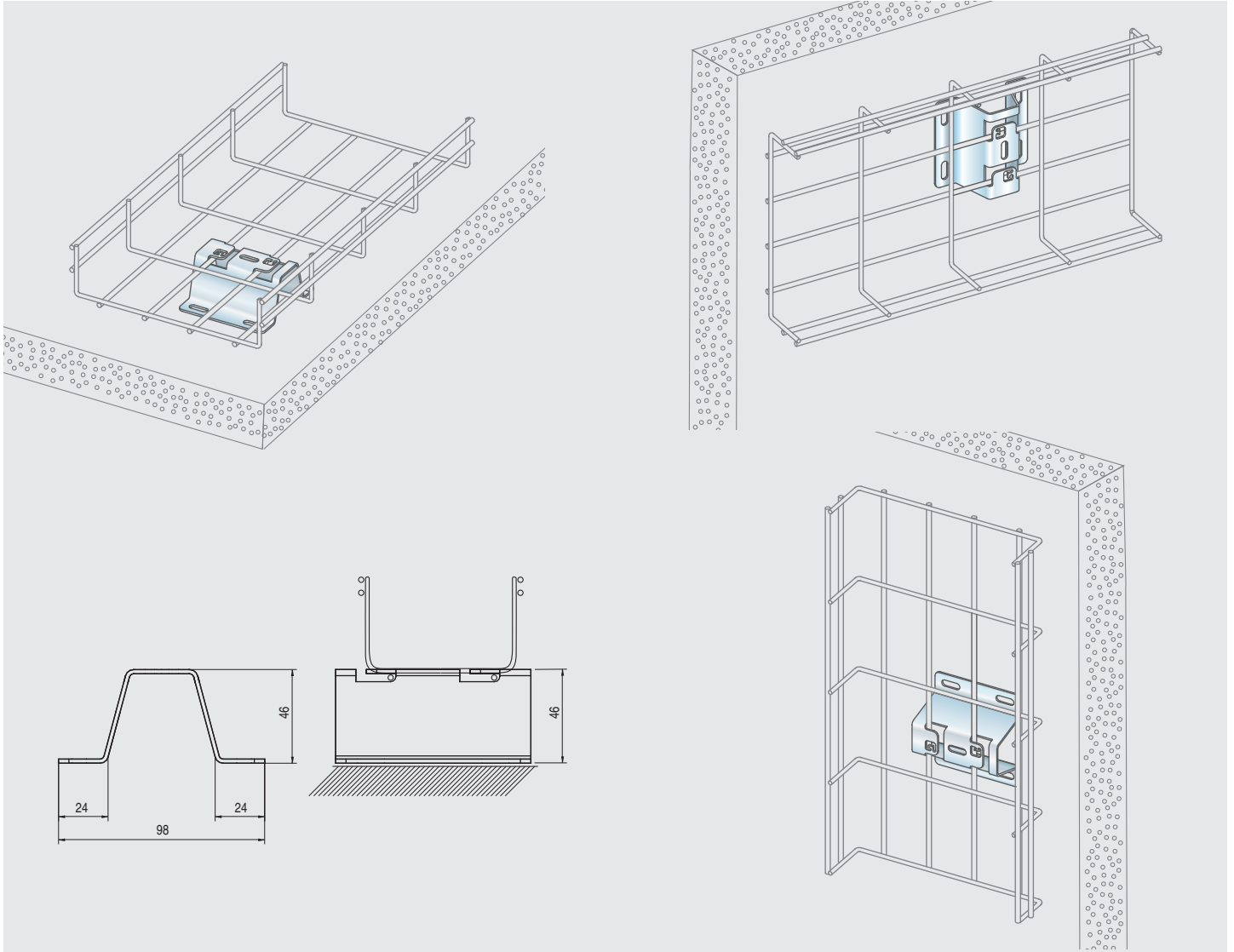
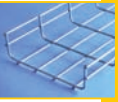
STU: earth connector



	daN	P	Kg/p	G	HDG
STU	25		0,22	552039	553039



ACCESSORIES, LIGHTING SUPPORTS, CABLE OUTLET, BOX SUPPORTS, GROUND FIXING



Lightweight supports: Suspensions

- **UFA** :- Multifunction: suspended by threaded rods \varnothing 6 - 8 or by assembly strut T-STRUT 41. In this last case: adjustment with variable geometry and support for several planks.
- Hand free assembly: remains stable on the threaded rod, no risk of fall before locking at the end of assembly.

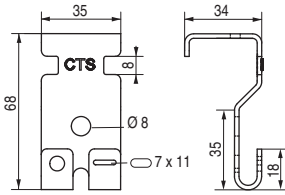
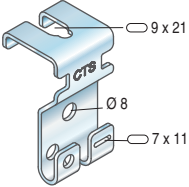
- User options: Locking possible by deformation with screwdriver or bolts TRL 6x30

- **T 25/50, EMU**: No bolts, clips in both directions of the lattice.
- 8 functions: sliding connectors, suspension, lighting support, bracket for small widths, equipment support, terminal support.

- G: SENDZIMIR
- HDG: HOT DIP GALVANIZED
- GM : GEOMET

UFA: Hanging fastener

NEW
NOUVEAU
NEU

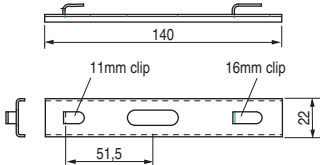
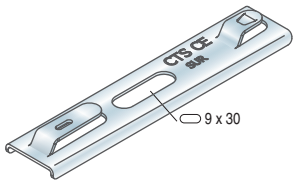


	daN	p	Kg/p
UFA	100	20	0,060

G	HDG
552033	553033

option : SV 50

SUR: rapid fit hanging fastener

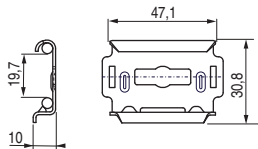
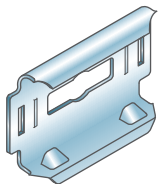


SUR	80	25	0,036
-----	----	----	-------

552085	553085
--------	--------

option : T25/50 or ERU 3

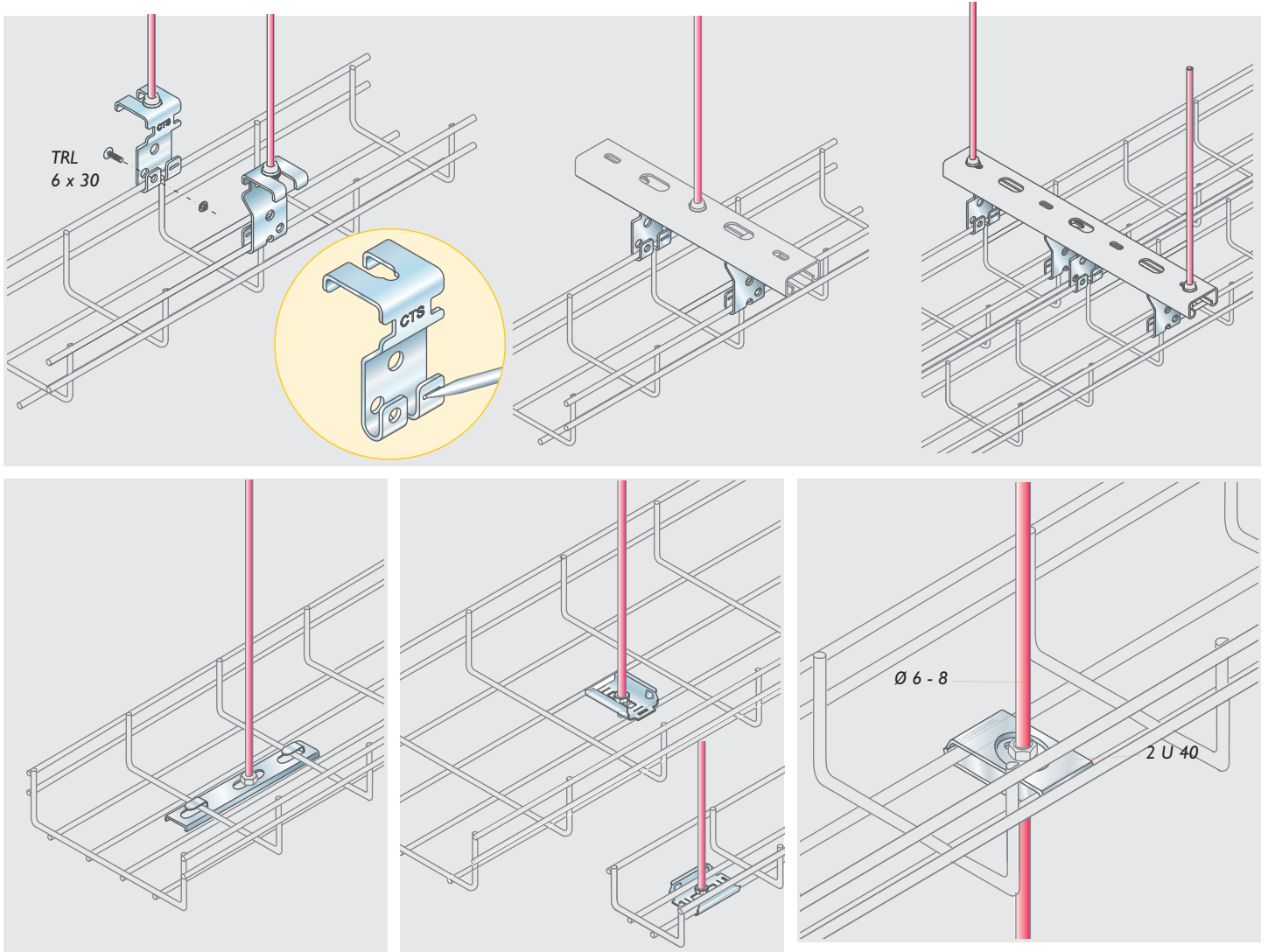
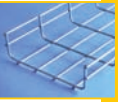
T 25/50: multifunction clip



T 25/50	-	50	0,02
---------	---	----	------

552129	556129
--------	--------

Lightweight supports: Suspensions



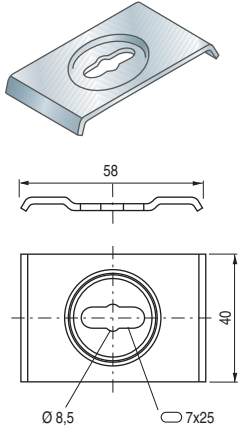
Lightweight supports: Suspensions

• **S100 U** :- suspension or ground fixing, height: 20 mm

• **SUF 50 / SUF 100** :- extra thick for safety: extra tough, smooth edges for safety, remains stable before locking at the end of assembly
- Multifunction: suspended by threaded rods Ø 6 - 8, fish-plates, lighting or equipment supports.

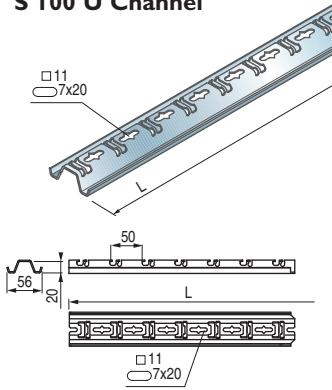
G: SENDZIMIR
HDG: HOT DIP GALVANIZED
GM: GEOMET

U 40: hanging clamp



	daN	Ø p	Kg/p	G	GM
U 40	100	50	0,040	552032	553032

S 100 U Channel



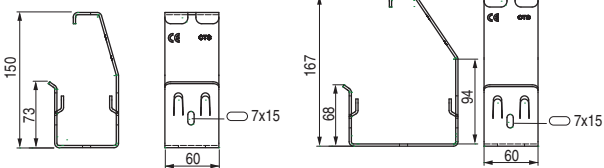
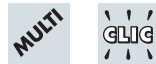
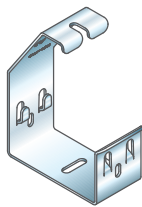
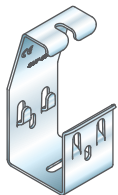
L mm		Kg/m	G	GM
3000	-	5,70	747100	748100
2000	-	3,80	747108	748108
1000	-	1,90	747107	748107
		Kg/p		
600	20	1,00	747106	748106
500	20	0,84	747105	748105
400	20	0,68	747104	748104
300	20	0,53	747103	748103
200	20	0,37	747102	748102
150	20	0,29	747101	748101

SUF: hanging fastener

SUF 50

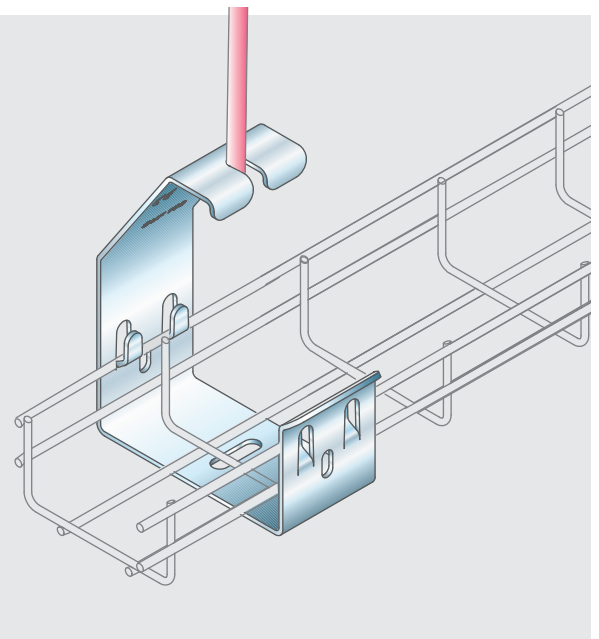
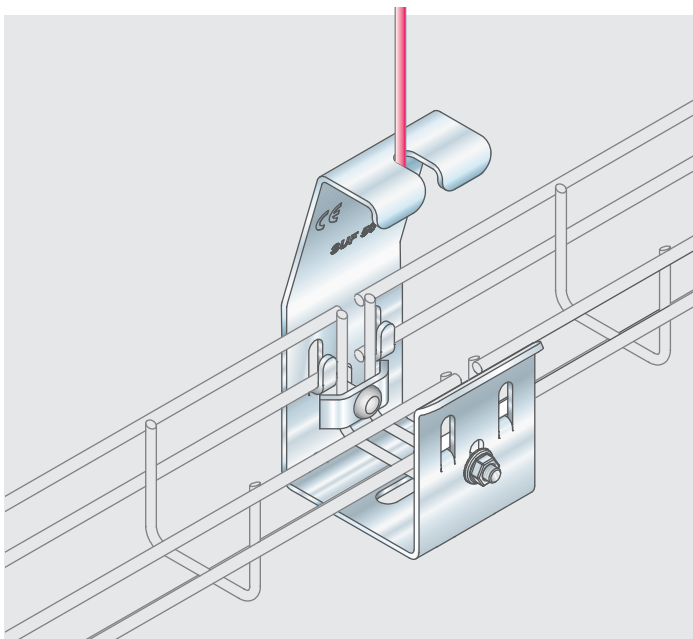
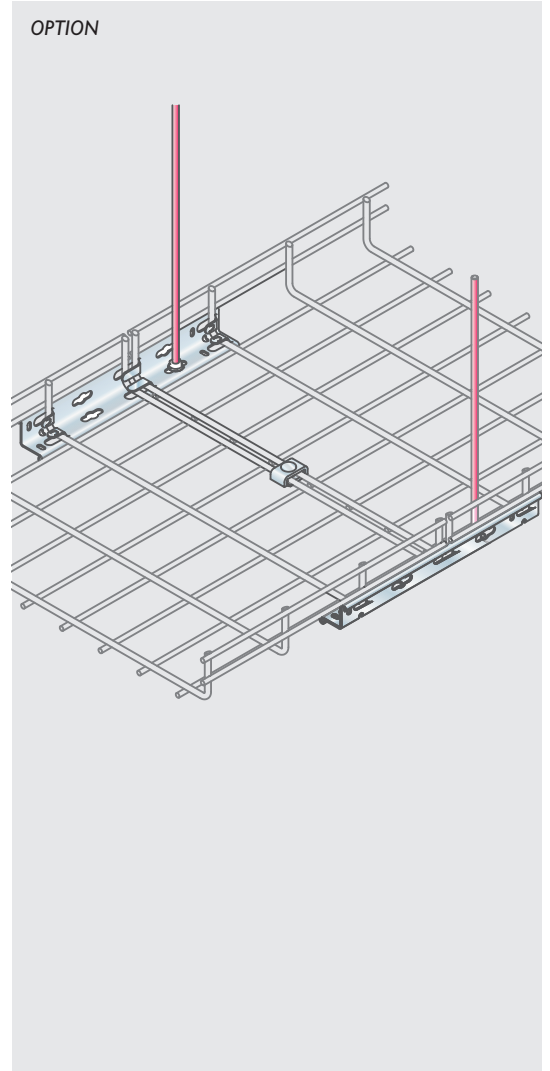
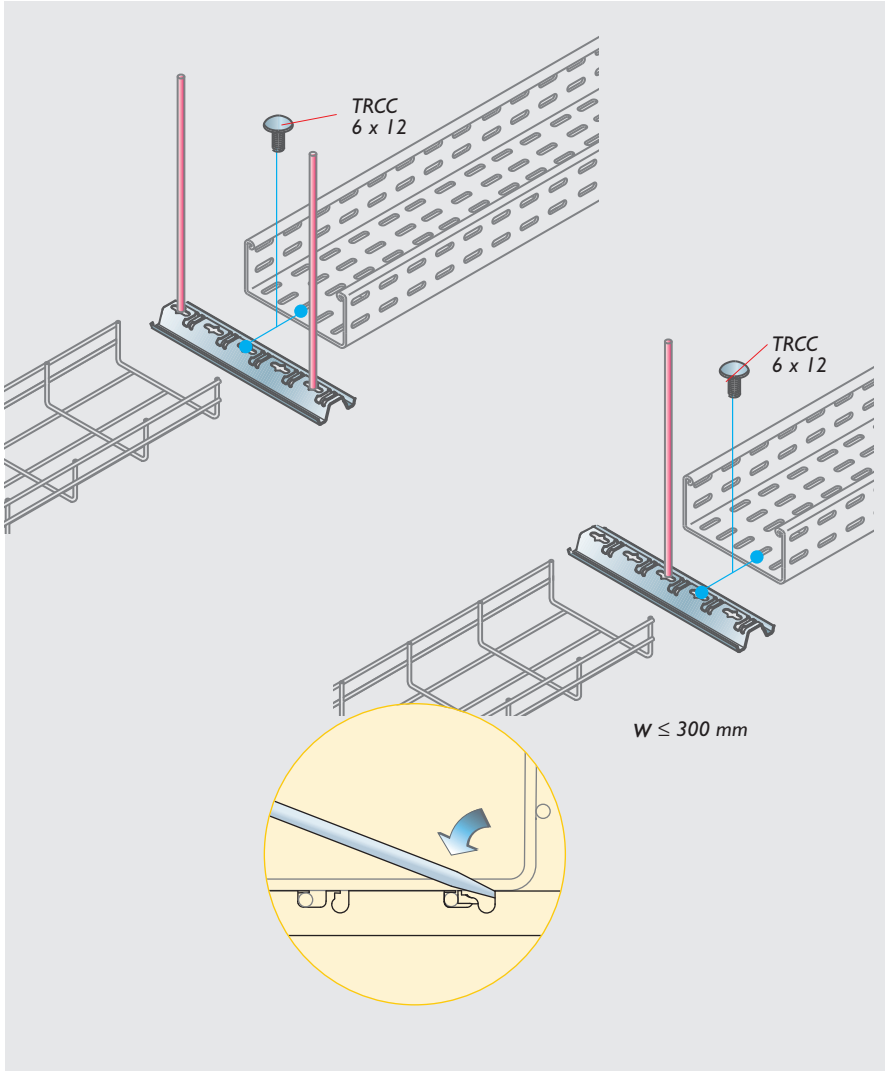
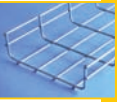
SUF 100

NEW
NOUVEAU
NEU



	daN	Ø p	Kg/p	G	HDG
SUF 50	20	25	0,36	552120	553120
SUF 100	25	25	0,43	552133	553133

Used for UF 30 and UF 54 – width 50 and 100 mm.



Lightweight supports: Suspensions

- **SUP 50** :- multifunction lightweight support: suspended by threaded rods \varnothing 6 - 8, lighting or equipment support, wall fixing.
- Hand free: remains stable with complete safety when fitting planks by clipping before locking at the end of assembly.

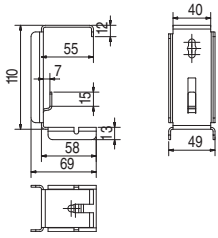
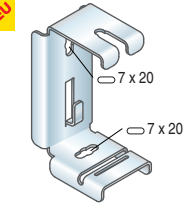
- Choice for the fitter: made secure with standard tools

- **SUL 50** :-multifunction for width 50 mm
- Suspension (rod \varnothing 6 - 8), ground fixing, lighting support, wall fixing
- Hand free assembly, thanks to positive clipping, the part can be prepositioned with just one hand.
- User options: finally locked in position by screwdriver.

- G: SENDZIMIR
- HDG: HOT DIP GALVANIZED
- GM: GEOMET

SUP 50: suspension bar

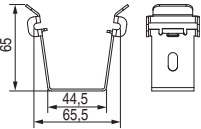
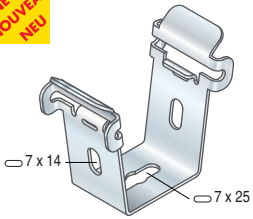
NEW NOUVEAU NEU



	daN	\varnothing P	Kg/p	G	GM
SUP 50	12	25	0,15	552140	553140

SUL 50: multifunction support

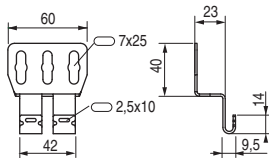
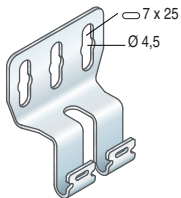
NEW NOUVEAU NEU



SUL 50	40	10	0,13	552118	553118
--------	----	----	------	--------	--------

SV 50: vertical support

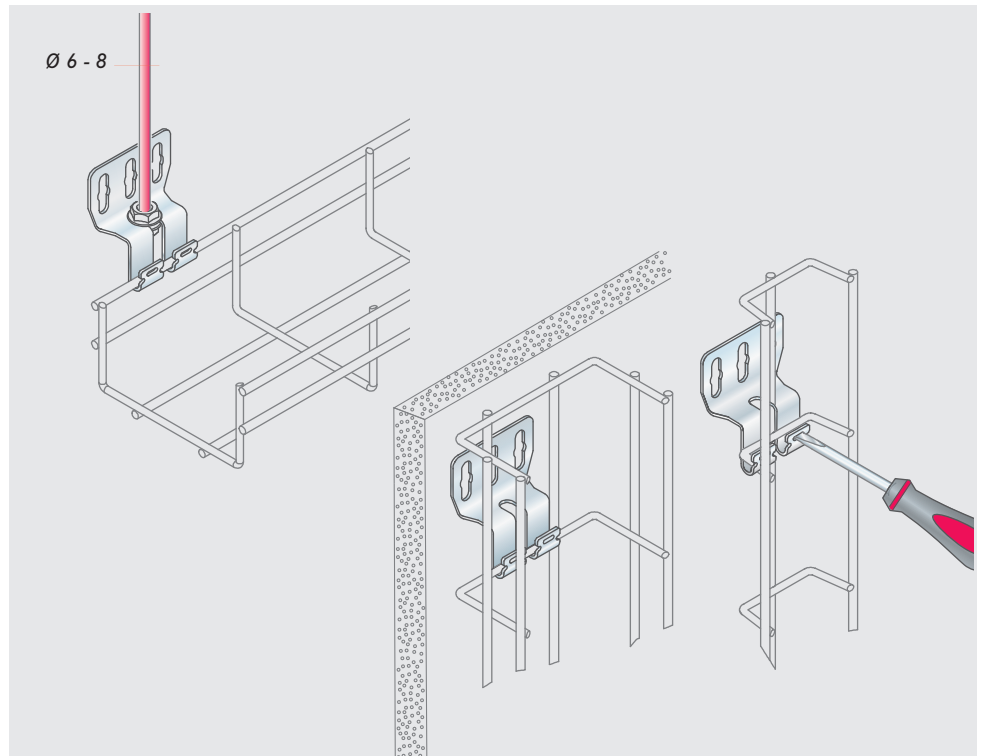
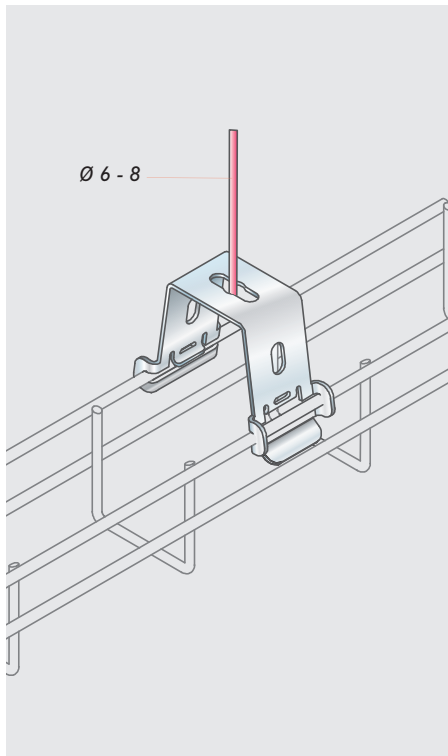
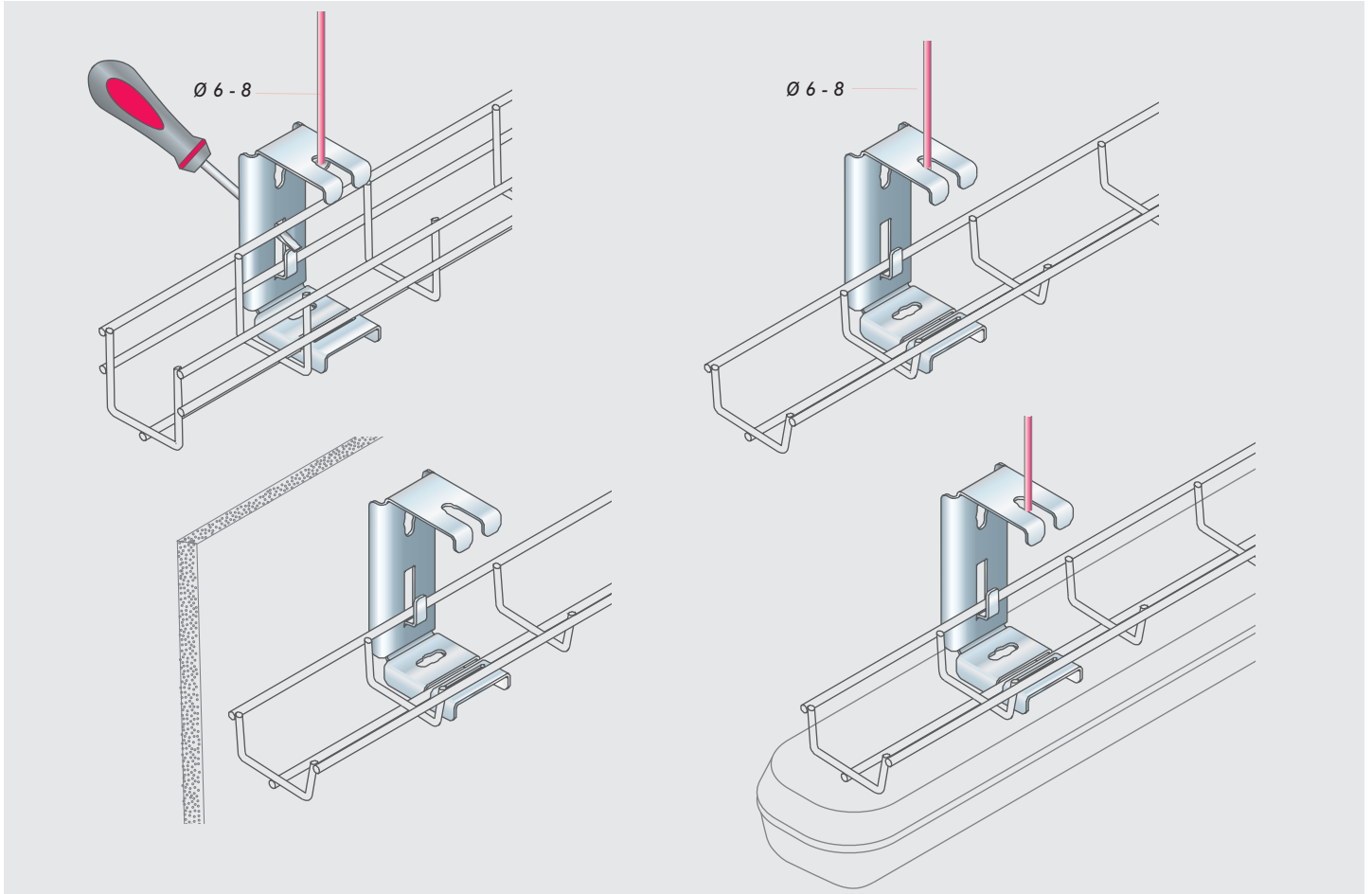
NEW NOUVEAU NEU



SV 50	30	20	0,05	552141	553141
-------	----	----	------	--------	--------



- **SV 50:** - multifunction: suspension (rod \varnothing 8-10), wall fixing, flag fitting
- Adjustable: fixing via one of the holes (\varnothing 7-9)
- Hand free: movement stopped by the slot imprisoning a wire
- User options: made secure with standard tools



Lightweight supports: wall brackets and fixings

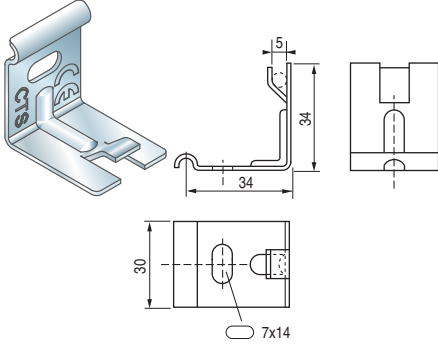
- **PUF** : - multifunction for width 50 and 100: ground fixing or on bracket, wall fixing, fixing equipment.
- Hand free: can be clipped with just one hand and repositionable.

- **UFU**: wall fixing, ground fixing, fixing equipment or boxes, fixing lights.
- User options: locked with just one screwdriver.
- Secure and robust: extra thick, user friendly.

- **SV 50**: multifunction: suspension (rod \varnothing 8-10), wall fixing, flag fitting
- Adjustable: fixing via one of the holes (\varnothing 7-9)
- Hand free: movement stopped by the slot imprisoning a wire
- User options: made secure with standard tools

- G: SENDZIMIR
- HDG: HOT DIP GALVANIZED
- GM : GEOMET

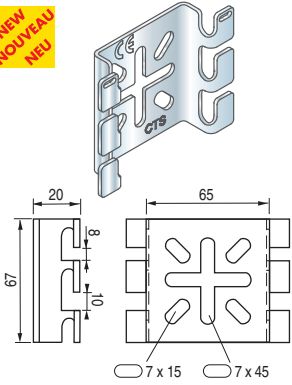
PUF: Wall or bracket fixing



	daN	p	Kg/p	G	HDG
PUF	20	50	0,030	552036	553036

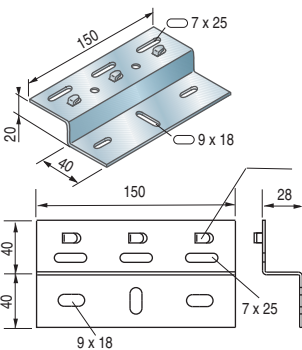
UFU: universal bracket

NEW NOUVEAU NEU



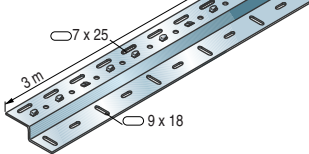
UFU	100	20	0,090	552037	553037
-----	-----	----	-------	--------	--------

ZUF 150: wall fixing



ZUF 150	100	10	0,24	552040	553040
---------	-----	----	------	--------	--------

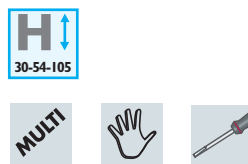
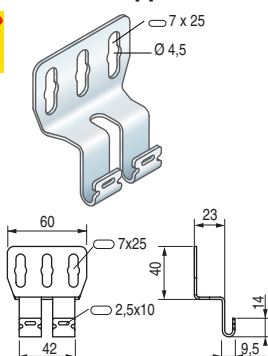
ZUF: Zed fixing



			Kg/m	G	HDG
ZUF	100	-	1,30	547048	548048

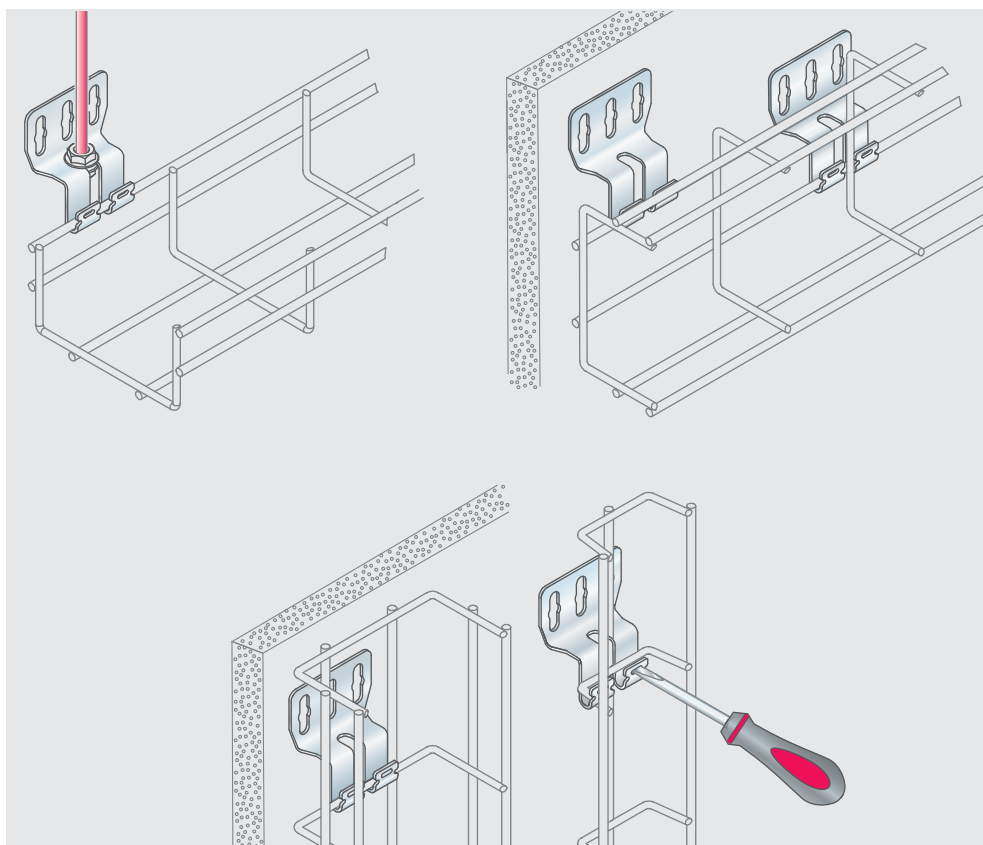
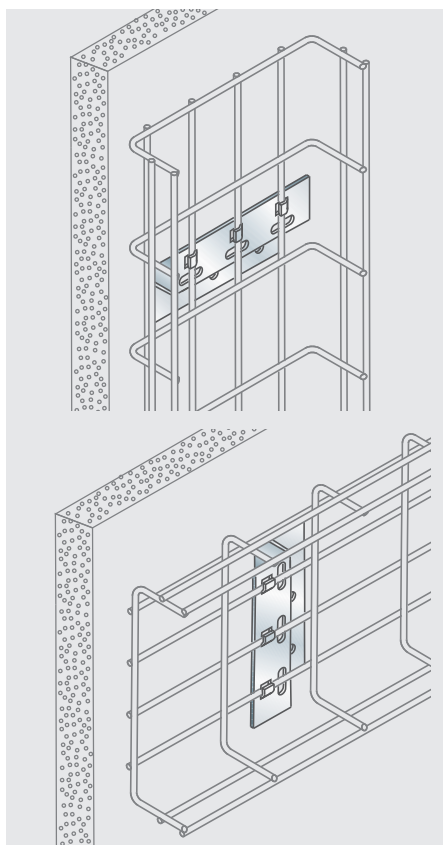
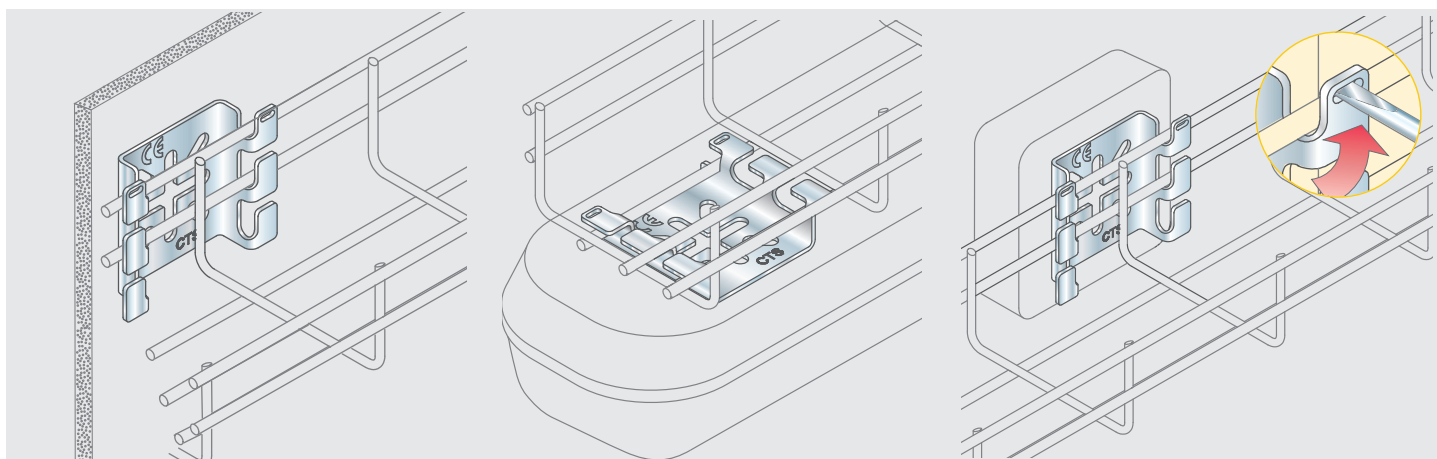
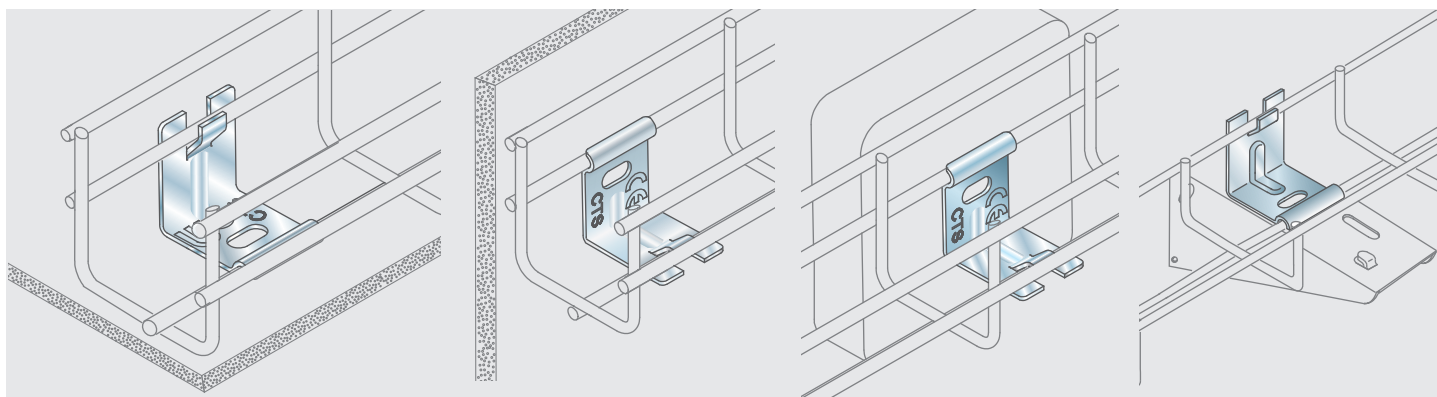
SV 50 : vertical support

NEW NOUVEAU NEU



			Kg/p	G	GM
SV 50	30	20	0,05	552141	553141

Lightweight supports: wall brackets and fixings





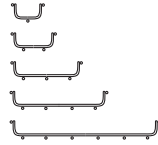
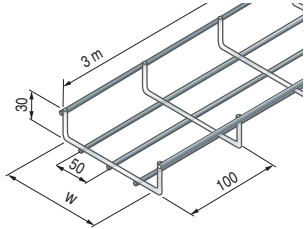
UNIFIL STAINLESS STEEL

• **UF 105:** high capacity. Compatible for use with cable racks.

• **UFT** : new Telex 35 for supplying machines. Weldable directly on frame, or fixed by KU 20 / TRL + U 20.

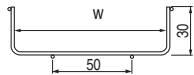
■ 304: 304 L STAINLESS STEEL
 ■ 316: 316 L STAINLESS STEEL

UF 30 / 50 to 300

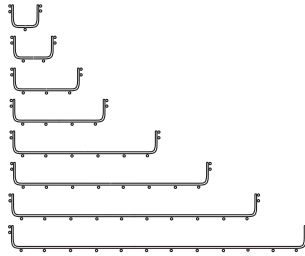
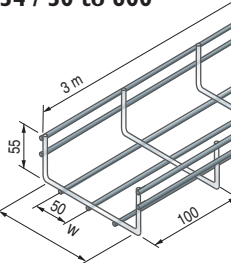


	w mm	Kg/m
UF 30 / 50	50	0,53
UF 30 / 100	100	0,72
UF 30 / 150	150	0,92
UF 30 / 200	200	1,11
UF 30 / 300	300	1,49

304	316
549530	550530
549531	550531
549532	550532
549533	550533
549534	550534

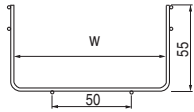


UF 54 / 50 to 600

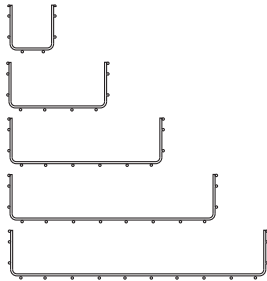
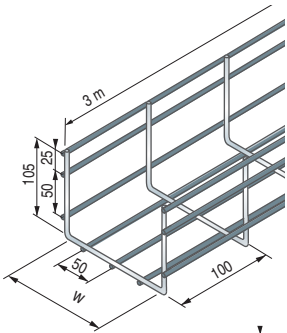


UF 54 / 50	50	0,90
UF 54 / 100	100	1,06
UF 54 / 150	150	1,25
UF 54 / 200	200	1,44
UF 54 / 300	300	2,03
UF 54 / 400	400	2,81
UF 54 / 500	500	3,31
UF 54 / 600	600	3,81

549535	550535
549536	550536
549537	550537
549538	550538
549539	550539
549540	550540
549541	550541
549542	550542

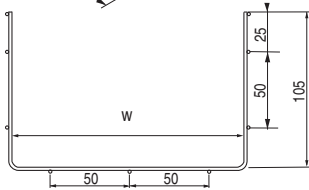


UF 105 / 100 to 500



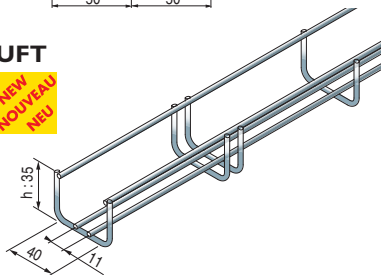
UF 105 / 100	100	1,44
UF 105 / 200	200	2,03
UF 105 / 300	300	2,81
UF 105 / 400	400	3,31
UF 105 / 500	500	3,82
UF 105 / 600	600	

549595	550595
549596	550596
549597	550597
549598	550598
549599	550599
549600	550600



UFT

NEW
NOUVEAU
NEU



UFT 35/35	35	00
-----------	----	----

549298



Capacities and load curves: see pages 4, 6 and 10.

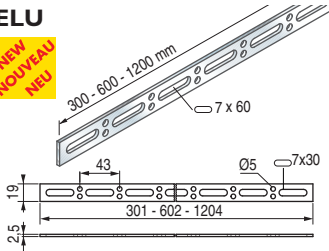
STAINLESS-STEEL ACCESSORIES

- **ELU**: foldable, wide range of adjustment.
- **KU 20**: rapid prefitted crimp kit.
- **LPS**: new tougher angle and manual locking junction.

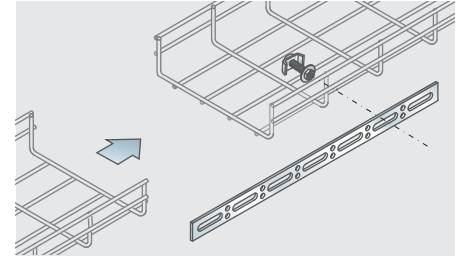
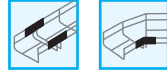
- 304: 304 L STAINLESS STEEL
- 316: 316 L STAINLESS STEEL

ELU

NEW
NOUVEAU
NEU

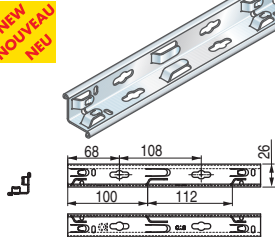


	\varnothing	p	Kg/p	304	316
ELU 300	00		0,08	554038	555038
ELU 1200	25		0,32	554045	555045

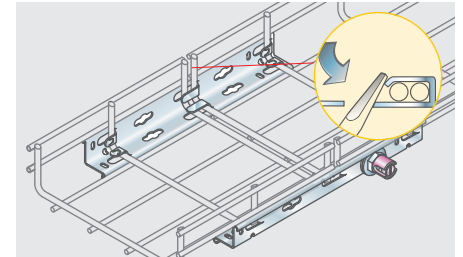


ERU 3: rapid fit connector

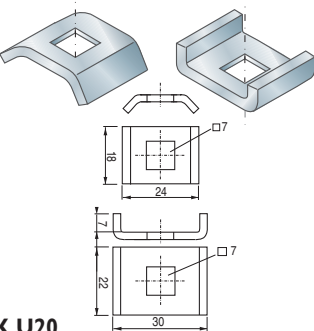
NEW
NOUVEAU
NEU



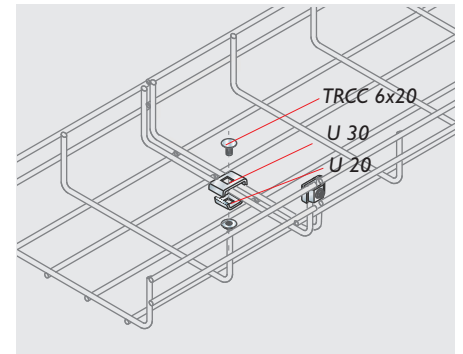
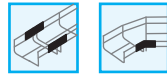
ERU 3	50		0,23	554136	555136
-------	----	--	------	--------	--------



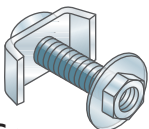
U 20: fixing clamp U 30: fixing clamp



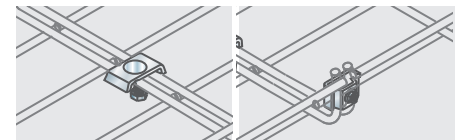
U 20	50		0,006	554042	555042
U 30	50		0,008	554043	555043



K U20

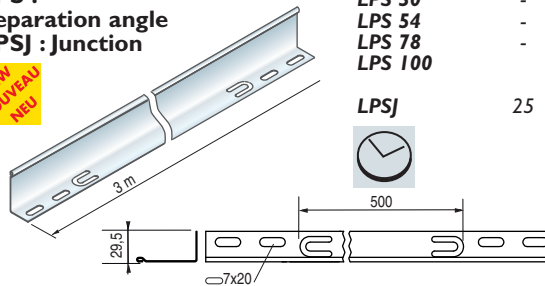


K U20	50		0,033	554134	555134
-------	----	--	-------	--------	--------

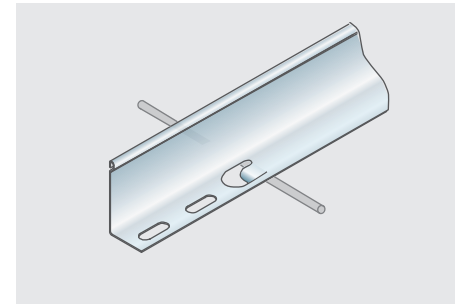


LPS : Separation angle LPSJ : Junction

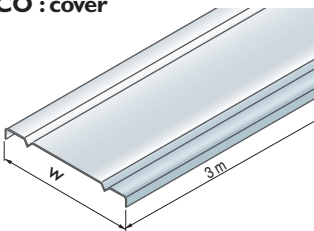
NEW
NOUVEAU
NEU



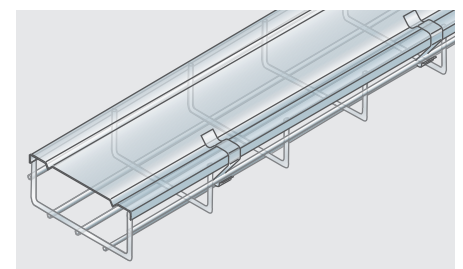
			Kg/m	304	316
LPS 30	-		0,30	549060	550060
LPS 54	-		0,47	549061	550061
LPS 78	-		0,70	549063	550063
LPS 100	-		0,95	549062	550062
LPSJ	25		0,014	554143	



CO : cover



			Kg/m	304	316
CO 50	-		0,36	549050	550050
CO 70	-		0,32	549058	550058
CO 100	-		0,67	549051	550051
CO 150	-		0,90	549052	550052
CO 200	-		1,40	549053	550053
CO 300	-		2,00	549054	550054
CO 400	-		3,45	549055	550055
CO 500	-		4,25	549056	550056
CO 600	-		5,00	549057	550057



UF Clips



UF Clips	20		0,005	304 554041	
----------	----	--	-------	---------------	--

STAINLESS-STEEL ACCESSORIES

- **UFA** :- Multifunction: suspended by threaded rods \varnothing 6 - 8 or by assembly strut T-STRUT 41. In this last case: adjustment with variable geometry and support for several planks.
- Hand free assembly: remains stable on the threaded rod, no risk of fall before locking at the end of assembly.

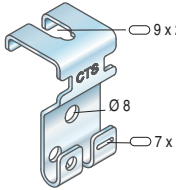
- User options: Locking possible by deformation with screwdriver or bolts TRL 6x30.
- **SUL 50**: multifunction for width 50 mm
- Suspension (rod \varnothing 8-10), ground fixing, lighting support, wall fixing
- Hand free assembly, thanks to positive clipping, the part can be prepositioned with just one hand.

- User options: finally locked in position by screwdriver.
- **SUF 50 / SUF 100**: - extra thick for safety: extra tough, user friendly edges, remains stable before locking at the end of assembly.
- Multifunction: suspended by threaded rods \varnothing 6 - 8, fish-plates, lighting or equipment supports.

304: 304 L STAINLESS STEEL
316: 316 L STAINLESS STEEL

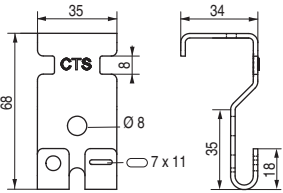
UFA : hanging fastener

NEW NOUVEAU NEU

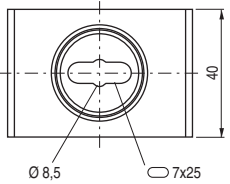
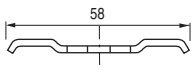
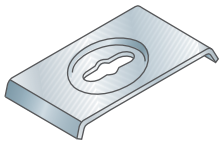


	daN	p	Kg/p	304	316
UFA	100	20	0,060	554033	555033

option: SV 50



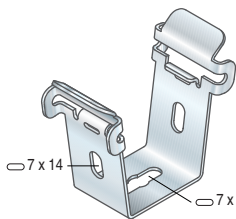
U 40: hanging clamp



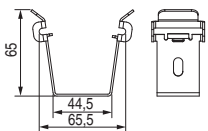
U 40	100	50	0,040	554032	555032
------	-----	----	-------	--------	--------

SUL 50 : multifunction support

NEW NOUVEAU NEU



SUL 50	40	10	0,13	554118	555118
--------	----	----	------	--------	--------



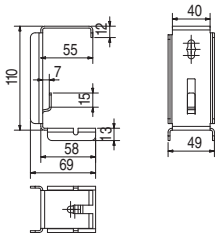
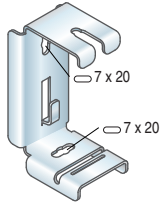
STAINLESS-STEEL ACCESSORIES



304: 304 L STAINLESS STEEL
316: 316 L STAINLESS STEEL

SUP 50: suspension bar

NEW
NOUVEAU
NEU

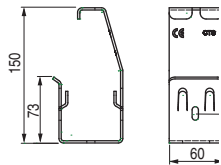


	daN	p	Kg/p	304	316
SUP 50	12	25	0,15	554140	555140

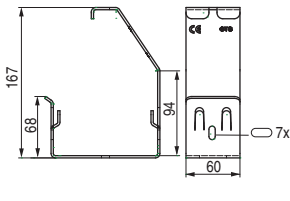
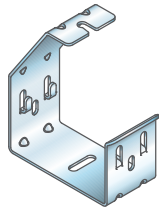
SUF: support under ceiling

NEW
NOUVEAU
NEU

SUF 50



SUF 100

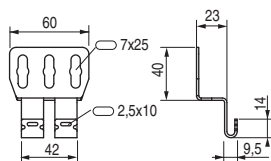
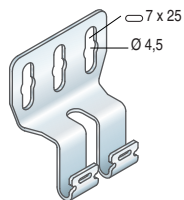


SUF 50	20	25	0,070	554120	555120
SUF 100	25	25	0,090	554133	555133

à utiliser pour UF 30 et UF 54 - largeur 50 et 100 mm.

SV 50 : vertical support

NEW
NOUVEAU
NEU



SV 50	30	20	0,05	554141	555141
-------	----	----	------	--------	--------



STAINLESS-STEEL ACCESSORIES

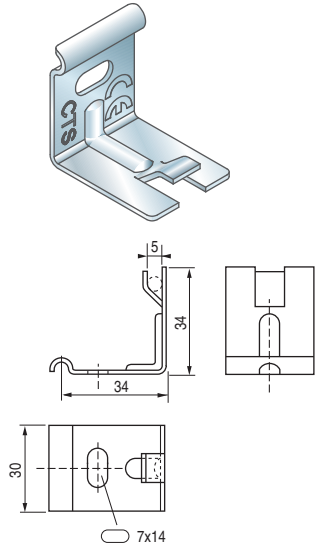
- **PUF:** - multifunction for width 50 and 100:
ground fixing or on bracket, wall fixing,
fixing equipment.
- Hand free: can be clipped with just one hand
and repositionable

- **UFU:** wall fixing, ground fixing,
fixing equipment or boxes,
fixing of lights.
- User options: locking by simple
screwdriver.
- Secure and robust: extra thick,
user friendly

- **SC** :- assembly without bolts
- Locked by standard tools
- Perforation for clamps, compatible
with all models of width > 50 mm

- 304: 304 L STAINLESS STEEL
- 316: 316 L STAINLESS STEEL

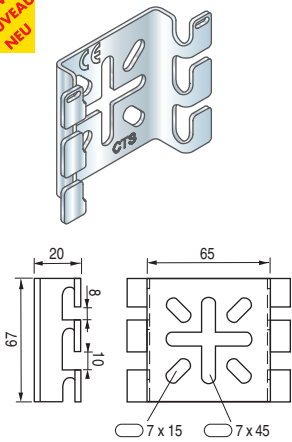
PUF: multipurpose attachment



	daN	p	Kg/p	304	316
PUF	20	50	0,03	554036	555036

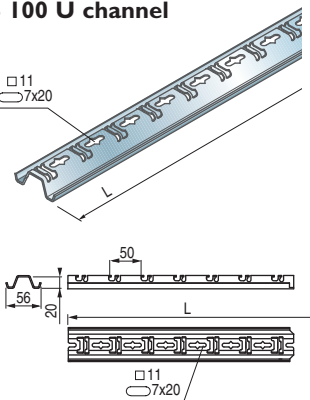
UFU: universal bracket

NEW
NOUVEAU
NEU



UFU	100	20	0,09	554037	555037
-----	-----	----	------	--------	--------

S 100 U channel



L mm	Kg/m	304	316
2000	3,80	749108	750108

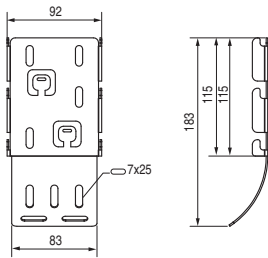
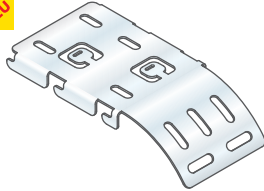
STAINLESS-STEEL ACCESSORIES



304: 304 L STAINLESS STEEL
 316: 316 L STAINLESS STEEL

SC: cable outlet

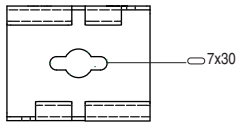
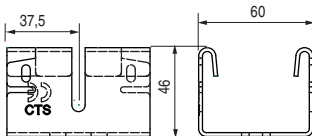
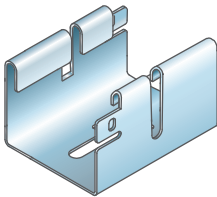
NEW
NOUVEAU
NEU



	daN	p	Kg/p	304	316
SC	10		0,16	554144	555144

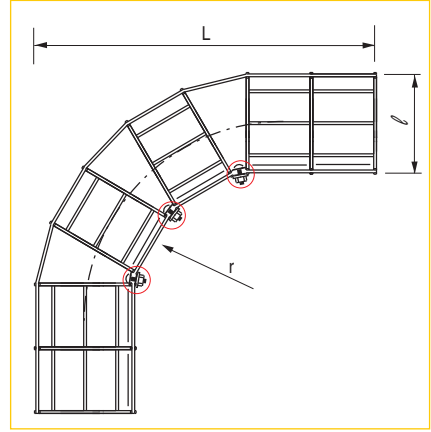
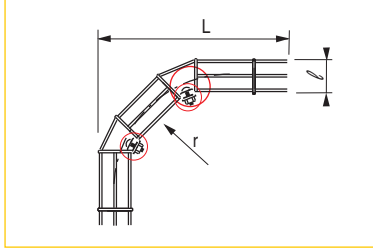
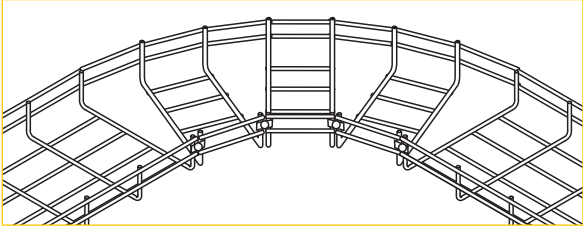
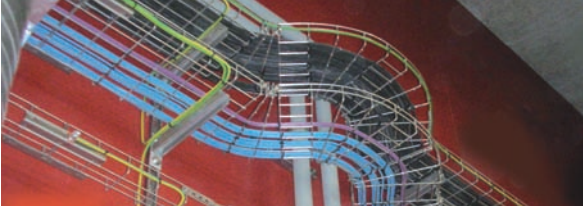
SLU 100: lighting support

NEW
NOUVEAU
NEU

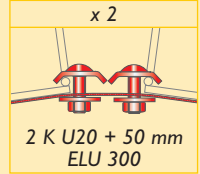


SLU 100 150	10	0,22	554146	555146
-------------	----	------	--------	--------

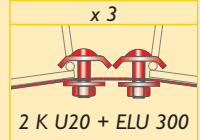
LARGE RADIUS BENDS



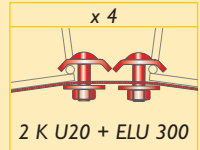
w	r inside	L
mm	mm	mm
50	-	-



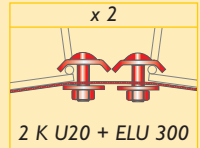
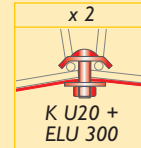
100	230	530
-----	-----	-----



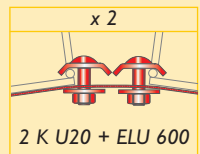
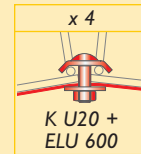
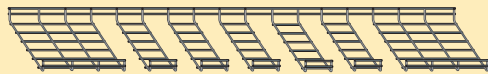
150	300	650
-----	-----	-----



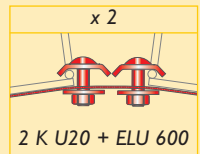
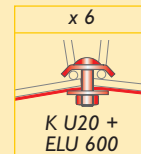
200	260	660
-----	-----	-----



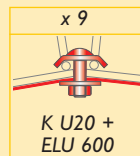
300	440	940
-----	-----	-----



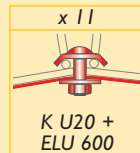
400	460	1060
-----	-----	------



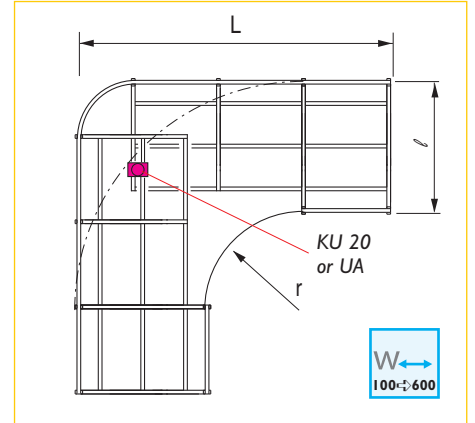
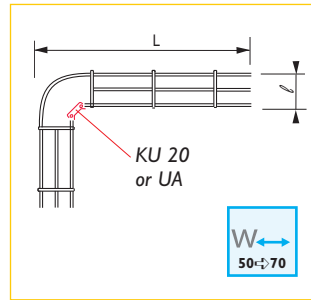
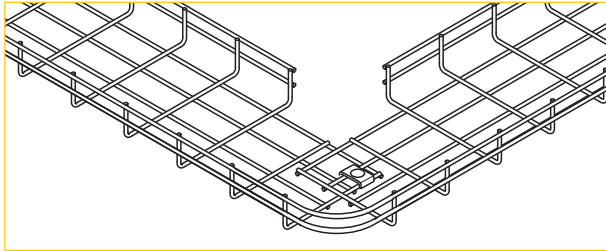
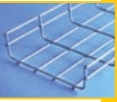
500	610	1310
-----	-----	------



600	570	1370
-----	-----	------



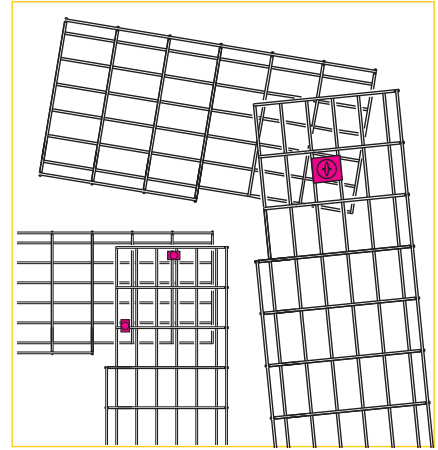
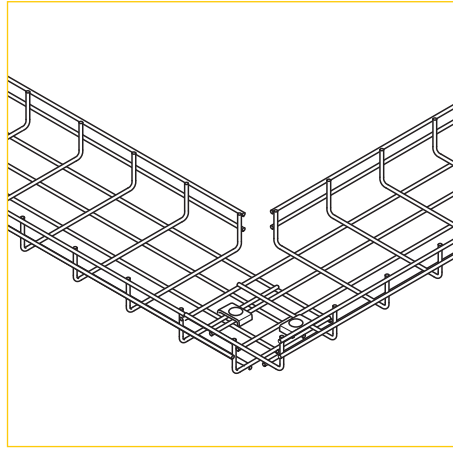
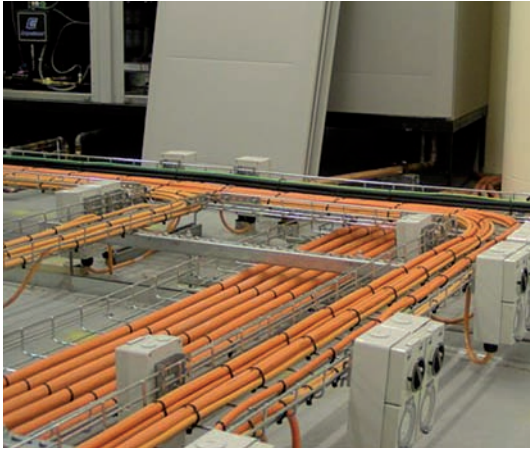
Small radius bends



w mm	KIT RAPIDE U20 or UA	r mm			
50	1	-			x 1 K U20 ou UA
100	1	35			x 1 K U20 ou UA
150	1	110			x 1 2 U 40 + TRCC 6 x 20
200	1	120			x 1 2 U 40 + TRCC 6 x 20
300	1	120			x 1 2 U 40 + TRCC 6 x 20
400	2	120			x 1 2 U 40 + TRCC 6 x 20
500	2	120			x 1 2 U 40 + TRCC 6 x 20
600	2	120			x 1 2 U 40 + TRCC 6 x 20

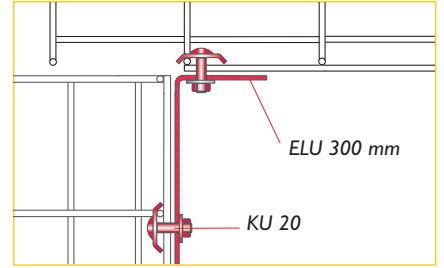
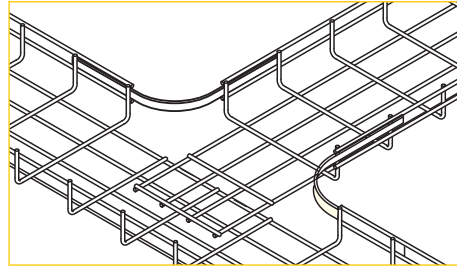
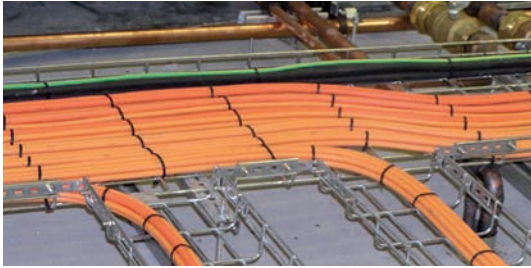


SMALL RADIUS BENDS CUT



w mm	l	l			
100	1	1			x 1 U20 U30 TRCC 6 x 20
150	2	2			x 1 K U20 or UA
200	2	2			x 2 K U20 or UA
300	2	2			x 2 K U20 or UA
400	2	2			x 2 K U20 or UA
500	2	2			x 2 K U20 or UA
600	2	2			x 2 K U20 or UA

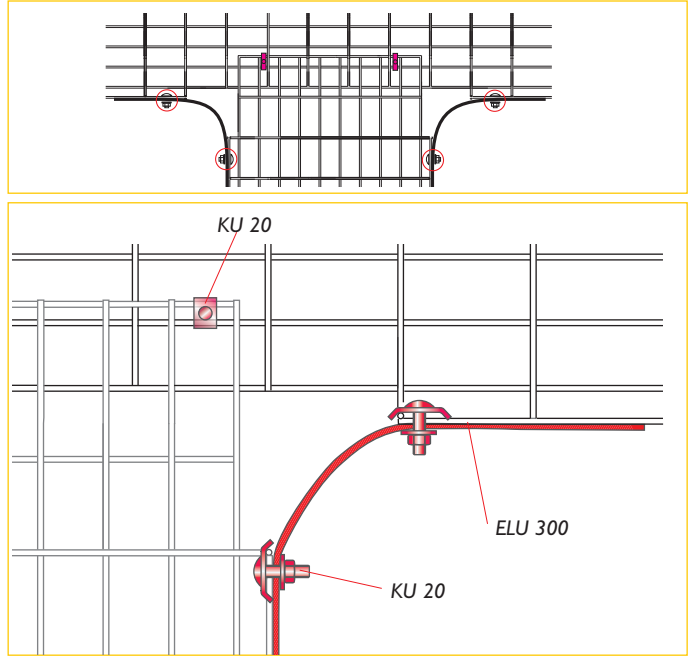
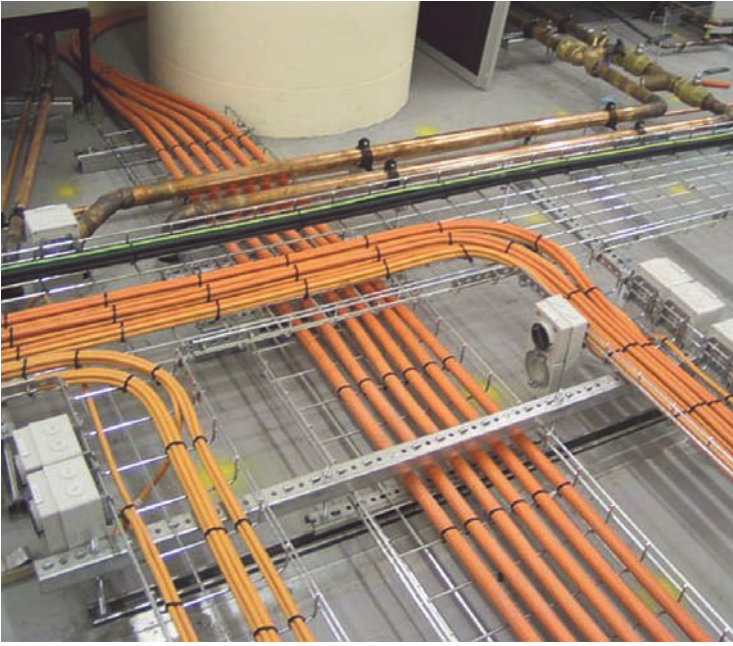
Small radius T-piece and cross pieces made



w mm 50			<p>x 2</p> <p>2 K U20 +ELU 300</p>
100			<p>x 2</p> <p>2 K U20 +ELU 300</p>
150			<p>x 2</p> <p>2 K U20 +ELU 300</p>
200			<p>x 2</p> <p>2 K U20 +ELU 300</p>
300			<p>x 2</p> <p>2 K U20 +ELU 300</p>
400			<p>x 2</p> <p>2 K U20 +ELU 300</p>
500			<p>x 2</p> <p>2 K U20 +ELU 300</p>
600			<p>x 2</p> <p>2 K U20 +ELU 300</p>

Double the quantities for crosses

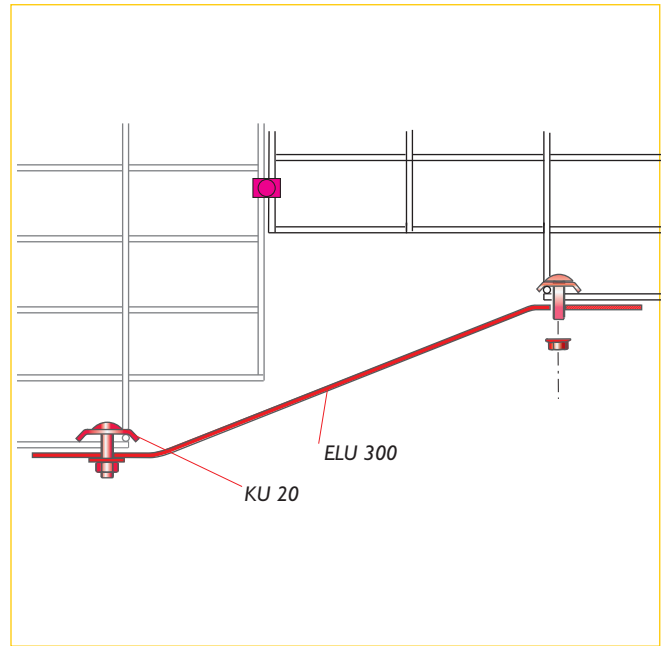
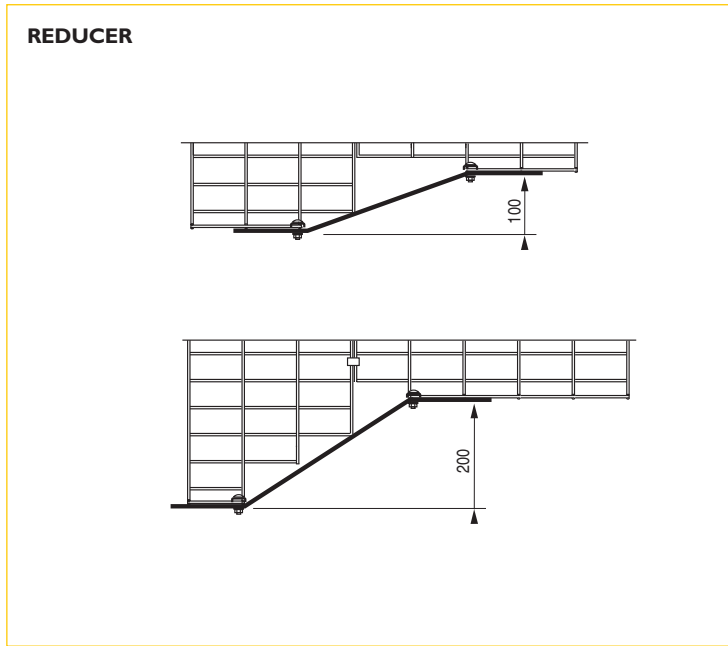
LARGE RADIUS T-PIECE AND CROSS PIECES MADE



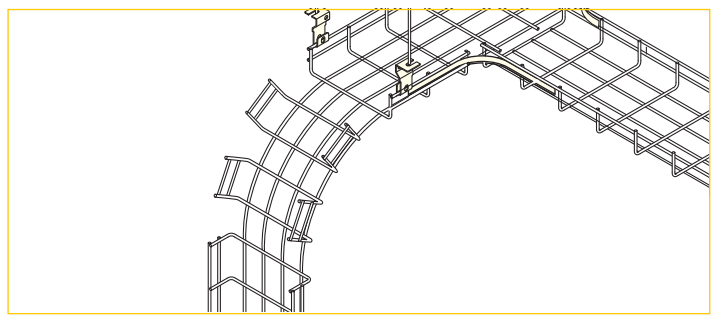
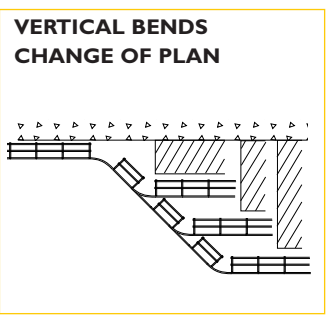
w mm		x 2	x 1
100		 2 K U20 +ELU 300	 K U20 or UA
150		 2 K U20 +ELU 300	 K U20 or UA
200		 2 K U20 +ELU 300	 K U20 or UA
300		 2 K U20 +ELU 300	 K U20 or UA
400		 2 K U20 +ELU 300	 K U20 or UA
500		 2 K U20 +ELU 300	 K U20 or UA
600		 2 K U20 +ELU 300	 K U20 or UA

Double the quantities for crosses

REDUCER, CHANGE OF PLAN



mm			
200			



INSIDE/OUTSIDE BENDS - CHANGE OF PLAN adjustable on site

