

TYPE 1 STANDARD HINGE ENCLOSURES

1-1

TYPE 1 ENCLOSURES



Industry Standards
UL 508A, Type 1
NEMA Type 1



UL File E235575

Applications:

Designed for indoor applications, which do not have oil-tight and dust-tight requirements.

Construction:

- Steel fabricated doors and enclosures.
- Door and body stiffeners installed when width is greater than 30 inches.
- Doors secured with butt hinges and quarter turn latch.
- Mounting holes supplied on back of enclosure.
- Enclosure design allows mounting with doors opening either left or right.
- Standoff provided for mounting of optional back panels.
- Various sizes of knockouts are supplied on all four sides of the enclosure.

Finish:

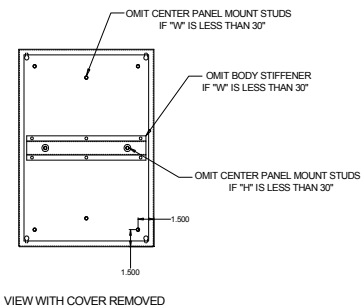
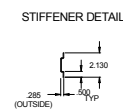
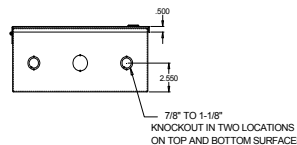
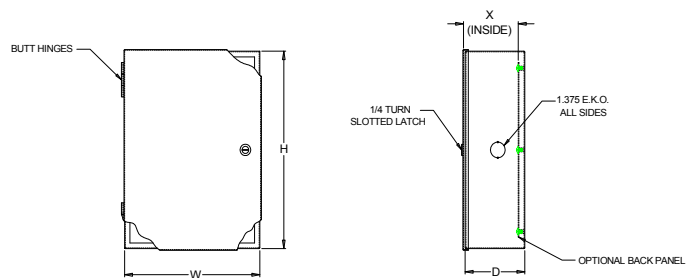
- ANSI-61 gray powder coat.

Accessories:

- Back panels (see reference chart, pg. 6-1)

Options:

- Custom sizes available, please call for details.
- Optional colors available, please call for details.



211 INDUSTRIAL COURT
WABASHA, MN 55981

Phone: (651) 565-3395
Fax: (651) 565-2787
E-mail: info@thomasindustriesinc.com
www.thomasindustriesinc.com

*DATA SUBJECT TO CHANGE WITHOUT NOTICE

TYPE 1 STANDARD HINGE ENCLOSURES

Enclosure Catalog Number	Enclosure Size H x W x D	Body/Door Steel Gauge	X	Back Panel Catalog Number			Back Panel Size A x B	Back Panel Gauge
N1-080604	8.00" x 6.00" x 4.00"	16/16	3.515"	PP-0806	P2-0806	PS-0806	6.750" x 4.875"	14
N1-100804	10.00" x 8.00" x 4.00"	16/16	3.515"	PP-1008	P2-1008	PS-1008	8.750" x 6.875"	14
N1-121006	12.00" x 10.00" x 6.00"	16/16	5.515"	PP-1210	P2-1210	PS-1210	10.750" x 8.875"	14
N1-121204	12.00" x 12.00" x 4.00"	16/16	3.515"	PP-1212	P2-1212	PS-1212	10.750" x 10.875"	14
N1-121206	12.00" x 12.00" x 6.00"	16/16	5.515"	PP-1212	P2-1212	PS-1212	10.750" x 10.875"	14
N1-121208	12.00" x 12.00" x 8.00"	16/16	7.515"	PP-1212	P2-1212	PS-1212	10.750" x 10.875"	14
N1-141206	14.00" x 12.00" x 6.00"	16/16	5.515"	PP-1412	P2-1412	PS-1412	12.750" x 10.875"	14
N1-141208	14.00" x 12.00" x 8.00"	16/16	7.515"	PP-1412	P2-1412	PS-1412	12.750" x 10.875"	14
N1-161206	16.00" x 12.00" x 6.00"	16/16	5.515"	PP-1612	P2-1612	PS-1612	14.750" x 10.875"	14
N1-161206D	16.00" x 12.00" x 6.625"	16/16	6.140"	PP-1612	P2-1612	PS-1612	14.750" x 10.875"	14
N1-161606D	16.00" x 16.00" x 6.625"	16/16	6.140"	PP-1616	P2-1616	PS-1616	14.750" x 14.875"	14
N1-171205	17.375" x 12.75" x 5.625"	16/16	5.140"	PP-1712	P2-1712	PS-1712	16.375" x 11.625"	14
N1-181606	18.00" x 16.00" x 6.00"	16/16	5.515"	PP-1816	P2-1816	PS-1816	16.750" x 14.875"	14
N1-182006	18.00" x 20.00" x 6.00"	16/16	5.515"	PP-1820	P2-1820	PS-1820	16.750" x 18.875"	14
N1-201606D	20.00" x 16.00" x 6.625"	16/14	6.140"	PP-2016	P2-2016	PS-2016	18.750" x 14.875"	14
N1-201608D	20.00" x 16.00" x 8.625"	16/14	8.140"	PP-2016	P2-2016	PS-2016	18.750" x 14.875"	14
N1-202006D	20.00" x 20.00" x 6.625"	16/14	6.140"	PP-2020	P2-2020	PS-2020	18.750" x 18.875"	14
N1-202008D	20.00" x 20.00" x 8.625"	16/14	8.140"	PP-2020	P2-2020	PS-2020	18.750" x 18.875"	14
N1-242006	24.00" x 20.00" x 6.00"	16/14	5.515"	PP-2420	P2-2420	PS-2420	22.750" x 18.875"	14
N1-242006D	24.00" x 20.00" x 6.625"	16/14	6.140"	PP-2420	P2-2420	PS-2420	22.750" x 18.875"	14
N1-242009	24.00" x 20.00" x 9.375"	16/14	8.890"	PP-2420	P2-2420	PS-2420	22.750" x 18.875"	14
N1-242406	24.00" x 24.00" x 6.00"	16/14	5.515"	PP-2424	P2-2424	PS-2424	22.750" x 22.875"	14
N1-242406D	24.00" x 24.00" x 6.625"	16/14	6.140"	PP-2424	P2-2424	PS-2424	22.750" x 22.875"	14
N1-242408D	24.00" x 24.00" x 8.625"	16/14	8.140"	PP-2424	P2-2424	PS-2424	22.750" x 22.875"	14
N1-242409	24.00" x 24.00" x 9.375"	16/14	8.890"	PP-2424	P2-2424	PS-2424	22.750" x 22.875"	14
N1-242412	24.00" x 24.00" x 12.625"	16/14	12.140"	PP-2424	P2-2424	PS-2424	22.750" x 22.875"	14
N1-302406D	30.00" x 24.00" x 6.625"	16/14	6.140"	PP-3024	P2-3024	PS-3024	28.750" x 22.875"	14
N1-302408	30.00" x 24.00" x 8.00"	16/14	7.515"	PP-3024	P2-3024	PS-3024	28.750" x 22.875"	14
N1-302408D	30.00" x 24.00" x 8.625"	16/14	8.140"	PP-3024	P2-3024	PS-3024	28.750" x 22.875"	14
N1-302412	30.00" x 24.00" x 12.625"	14/14	12.125"	PP-3024	P2-3024	PS-3024	28.750" x 22.875"	14
N1-353009	35.00" x 30.00" x 9.375"	14/14	8.875"	PP-3530	P2-3530	PS-3530	33.750" x 28.875"	14
N1-362406	36.00" x 24.00" x 6.00"	14/14	5.500"	PP-3624	P2-3624	PS-3624	34.750" x 22.875"	14
N1-362406D	36.00" x 24.00" x 6.625"	14/14	6.125"	PP-3624	P2-3624	PS-3624	34.750" x 22.875"	14
N1-362408D	36.00" x 24.00" x 8.625"	14/14	8.125"	PP-3624	P2-3624	PS-3624	34.750" x 22.875"	14
N1-362409	36.00" x 24.00" x 9.375"	14/14	8.875"	PP-3624	P2-3624	PS-3624	34.750" x 22.875"	14
N1-362412	36.00" x 24.00" x 12.625"	14/14	12.125"	PP-3624	P2-3624	PS-3624	34.750" x 22.875"	14
N1-423609	42.00" x 36.00" x 9.375"	14/14	8.845"	PP-4236	P2-4236	PS-4236	40.750" x 34.875"	12
N1-493009	49.25" x 30.00" x 9.375"	14/14	8.845"	PP-4930	P2-4930	PS-4930	48.000" x 28.875"	12



211 INDUSTRIAL COURT
WABASHA, MN 55981

Phone: (651) 565-3395
 Fax: (651) 565-2787
 E-mail: info@thomasindustriesinc.com
www.thomasindustriesinc.com

*DATA SUBJECT TO CHANGE WITHOUT NOTICE

TYPE 1 STANDARD HINGE ENCLOSURES WITH KEYED LOCK

1-2

TYPE 1 ENCLOSURES



Industry Standards
UL 508A, Type 1
NEMA Type 1



UL File E235575

Applications:

Designed for indoor applications, which do not have oil-tight and dust-tight requirements.

Construction:

- Steel fabricated doors and enclosures.
- Door and body stiffeners installed when width is greater than 30 inches.
- Doors secured with butt hinges and keyed quarter turn latch.
- Locks are keyed alike.
- Mounting holes supplied on back of enclosure.
- Enclosure design allows mounting with doors opening either left or right.
- Standoff provided for mounting of optional back panels.
- Various sizes of knockouts are supplied on all four sides of the enclosure.

Finish:

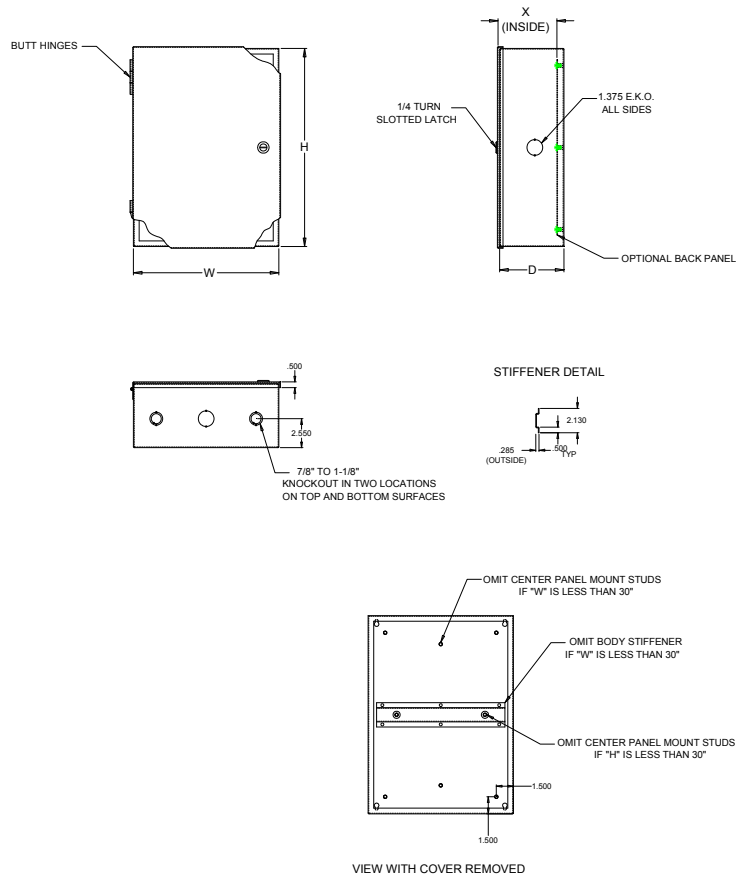
- ANSI-61 gray powder coat.

Accessories:

- Back panels (see reference chart, pg. 6-1)

Options:

- Custom sizes available, please call for details.
- Optional colors available, please call for details.



211 INDUSTRIAL COURT
WABASHA, MN 55981

Phone: (651) 565-3395
Fax: (651) 565-2787
E-mail: info@thomasindustriesinc.com
www.thomasindustriesinc.com

*DATA SUBJECT TO CHANGE WITHOUT NOTICE

TYPE 1 STANDARD HINGE ENCLOSURES WITH KEYED LOCK

Enclosure Catalog Number	Enclosure Size H x W x D	Body/Door Steel Gauge	X	Back Panel Catalog Number			Back Panel Size A x B	Back Panel Gauge
				PP	P2	PS		
N1-080604K	8.00" x 6.00" x 4.00"	16/16	3.515"	PP-0806	P2-0806	PS-0806	6.750" x 4.875"	14
N1-100804K	10.00" x 8.00" x 4.00"	16/16	3.515"	PP-1008	P2-1008	PS-1008	8.750" x 6.875"	14
N1-121006K	12.00" x 10.00" x 6.00"	16/16	5.515"	PP-1210	P2-1210	PS-1210	10.750" x 8.875"	14
N1-121204K	12.00" x 12.00" x 4.00"	16/16	3.515"	PP-1212	P2-1212	PS-1212	10.750" x 10.875"	14
N1-121206K	12.00" x 12.00" x 6.00"	16/16	5.515"	PP-1212	P2-1212	PS-1212	10.750" x 10.875"	14
N1-121208K	12.00" x 12.00" x 8.00"	16/16	7.515"	PP-1212	P2-1212	PS-1212	10.750" x 10.875"	14
N1-141206K	14.00" x 12.00" x 6.00"	16/16	5.515"	PP-1412	P2-1412	PS-1412	12.750" x 10.875"	14
N1-141208K	14.00" x 12.00" x 8.00"	16/16	7.515"	PP-1412	P2-1412	PS-1412	12.750" x 10.875"	14
N1-161206K	16.00" x 12.00" x 6.00"	16/16	5.515"	PP-1612	P2-1612	PS-1612	14.750" x 10.875"	14
N1-161206DK	16.00" x 12.00" x 6.625"	16/16	6.140"	PP-1612	P2-1612	PS-1612	14.750" x 10.875"	14
N1-161606DK	16.00" x 16.00" x 6.625"	16/16	6.140"	PP-1616	P2-1616	PS-1616	14.750" x 14.875"	14
N1-171205K	17.375" x 12.75" x 5.625"	16/16	5.140"	PP-1712	P2-1712	PS-1712	16.375" x 11.625"	14
N1-181606K	18.00" x 16.00" x 6.00"	16/16	5.515"	PP-1816	P2-1816	PS-1816	16.750" x 14.875"	14
N1-182006K	18.00" x 20.00" x 6.00"	16/16	5.515"	PP-1820	P2-1820	PS-1820	16.750" x 18.875"	14
N1-201606DK	20.00" 16.00" 6.625"	16/14	6.140"	PP-2016	P2-2016	PS-2016	18.750" x 14.875"	14
N1-201608DK	20.00" x 16.00" x 8.625"	16/14	8.140"	PP-2016	P2-2016	PS-2016	18.750" x 14.875"	14
N1-202006DK	20.00" 20.00" 6.625"	16/14	6.140"	PP-2020	P2-2020	PS-2020	18.750" x 18.875"	14
N1-202008DK	20.00" x 20.00" x 8.625"	16/14	8.140"	PP-2020	P2-2020	PS-2020	18.750" x 18.875"	14
N1-242006K	24.00" x 20.00" x 6.00"	16/14	5.515"	PP-2420	P2-2420	PS-2420	22.750" x 18.875"	14
N1-242006DK	24.00" x 20.00" x 6.625"	16/14	6.140"	PP-2420	P2-2420	PS-2420	22.750" x 18.875"	14
N1-242009K	24.00" x 20.00" x 9.375"	16/14	8.890"	PP-2420	P2-2420	PS-2420	22.750" x 18.875"	14
N1-242406K	24.00" x 24.00" x 6.00"	16/14	5.515"	PP-2424	P2-2424	PS-2424	22.750" x 22.875"	14
N1-242406DK	24.00" x 24.00" x 6.625"	16/14	6.140"	PP-2424	P2-2424	PS-2424	22.750" x 22.875"	14
N1-242408DK	24.00" x 24.00" x 8.625"	16/14	8.140"	PP-2424	P2-2424	PS-2424	22.750" x 22.875"	14
N1-242409K	24.00" x 24.00" x 9.375"	16/14	8.890"	PP-2424	P2-2424	PS-2424	22.750" x 22.875"	14
N1-242412K	24.00" x 24.00" x 12.625"	16/14	12.140"	PP-2424	P2-2424	PS-2424	22.750" x 22.875"	14
N1-302406DK	30.00" x 24.00" x 6.625"	16/14	6.140"	PP-3024	P2-3024	PS-3024	28.750" x 22.875"	14
N1-302408K	30.00" x 24.00" x 8.00"	16/14	7.515"	PP-3024	P2-3024	PS-3024	28.750" x 22.875"	14
N1-302408DK	30.00" x 24.00" x 8.625"	16/14	8.140"	PP-3024	P2-3024	PS-3024	28.750" x 22.875"	14
N1-302412K	30.00" x 24.00" x 12.625"	14/14	12.125"	PP-3024	P2-3024	PS-3024	28.750" x 22.875"	14
N1-353009K	35.00" x 30.00" x 9.375"	14/14	8.875"	PP-3530	P2-3530	PS-3530	33.750" x 28.875"	14
N1-362406K	36.00" x 24.00" x 6.00"	14/14	5.500"	PP-3624	P2-3624	PS-3624	34.750" x 22.875"	14
N1-362406DK	36.00" x 24.00" x 6.625"	14/14	6.125"	PP-3624	P2-3624	PS-3624	34.750" x 22.875"	14
N1-362408DK	36.00" x 24.00" x 8.625"	14/14	8.125"	PP-3624	P2-3624	PS-3624	34.750" x 22.875"	14
N1-362409K	36.00" x 24.00" x 9.375"	14/14	8.875"	PP-3624	P2-3624	PS-3624	34.750" x 22.875"	14
N1-362412K	36.00" x 24.00" x 12.625"	14/14	12.125"	PP-3624	P2-3624	PS-3624	34.750" x 22.875"	14
N1-423609K	42.00" x 36.00" x 9.375"	14/14	8.845"	PP-4236	P2-4236	PS-4236	40.750" x 34.875"	12
N1-493009K	49.25" x 30.00" x 9.375"	14/14	8.845"	PP-4930	P2-4930	PS-4930	48.000" x 28.875"	12



211 INDUSTRIAL COURT
WABASHA, MN 55981

Phone: (651) 565-3395
 Fax: (651) 565-2787
 E-mail: info@thomasindustriesinc.com
www.thomasindustriesinc.com

*DATA SUBJECT TO CHANGE WITHOUT NOTICE

TYPE 1 CONTINUOUS HINGE ENCLOSURES

1-3

TYPE 1 ENCLOSURES



Industry Standards
UL 508A, Type 1
NEMA Type 1



UL File E235575

Application:

Designed for indoor applications, which do not have oil-tight and dust-tight requirements.

Construction:

- Steel fabricated doors and enclosures.
- Door and body stiffeners installed when width is greater than 30 inches.
- Doors secured with continuous hinges and quarter turn latch.
- Mounting holes supplied on back of enclosure.
- Enclosure design allows mounting with doors opening either left or right.
- Standoff provided for mounting of optional back panels.
- Various sizes of knockouts are supplied on all four sides of the enclosure.

Finish:

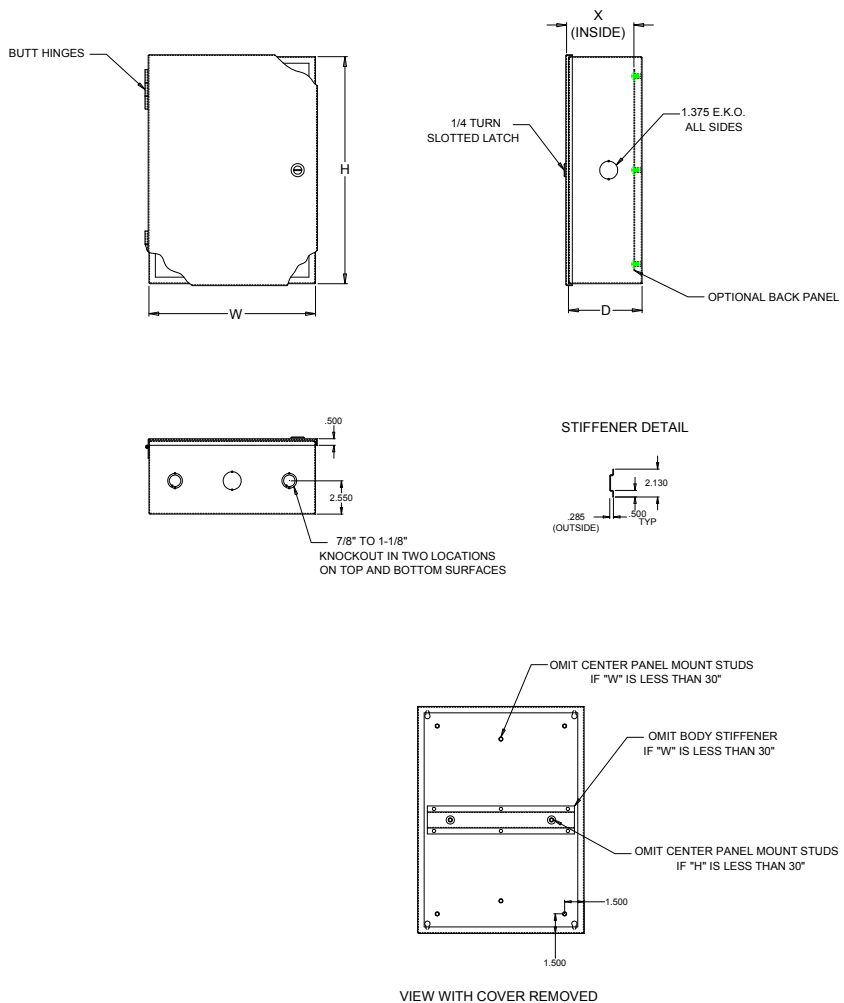
- ANSI-61 gray powder coat.

Accessories:

- Back panels (see reference chart, pg. 6-1)

Options:

- Custom sizes available, please call for details.
- Optional colors available, please call for details.



211 INDUSTRIAL COURT
WABASHA, MN 55981

Phone: (651) 565-3395
Fax: (651) 565-2787
E-mail: info@thomasindustriesinc.com
www.thomasindustriesinc.com

*DATA SUBJECT TO CHANGE WITHOUT NOTICE

TYPE 1 CONTINUOUS HINGE ENCLOSURES

Enclosure Catalog Number	Enclosure Size H x W x D	Body/Door Steel Gauge	X	Back Panel Catalog Number			Back Panel Size A x B	Back Panel Gauge
				PP	P2	PS		
N1C-080604	8.00" x 6.00" x 4.00"	16/16	3.515"	PP-0806	P2-0806	PS-0806	6.750" x 4.875"	14
N1C-100804	10.00" x 8.00" x 4.00"	16/16	3.515"	PP-1008	P2-1008	PS-1008	8.750" x 6.875"	14
N1C-121006	12.00" x 10.00" x 6.00"	16/16	5.515"	PP-1210	P2-1210	PS-1210	10.750" x 8.875"	14
N1C-121204	12.00" x 12.00" x 4.00"	16/16	3.515"	PP-1212	P2-1212	PS-1212	10.750" x 10.875"	14
N1C-121206	12.00" x 12.00" x 6.00"	16/16	5.515"	PP-1212	P2-1212	PS-1212	10.750" x 10.875"	14
N1C-121208	12.00" x 12.00" x 8.00"	16/16	7.515"	PP-1212	P2-1212	PS-1212	10.750" x 10.875"	14
N1C-141206	14.00" x 12.00" x 6.00"	16/16	5.515"	PP-1412	P2-1412	PS-1412	12.750" x 10.875"	14
N1C-141208	14.00" x 12.00" x 8.00"	16/16	7.515"	PP-1412	P2-1412	PS-1412	12.750" x 10.875"	14
N1C-161206	16.00" x 12.00" x 6.00"	16/16	5.515"	PP-1612	P2-1612	PS-1612	14.750" x 10.875"	14
N1C-161206D	16.00" x 12.00" x 6.625"	16/16	6.140"	PP-1612	P2-1612	PS-1612	14.750" x 10.875"	14
N1C-161606D	16.00" x 16.00" x 6.625"	16/16	6.140"	PP-1616	P2-1616	PS-1616	14.750" x 14.875"	14
N1C-171205	17.375" x 12.75" x 5.625"	16/16	5.140"	PP-1712	P2-1712	PS-1712	16.375" x 11.625"	14
N1C-181606	18.00" x 16.00" x 6.00"	16/16	5.515"	PP-1816	P2-1816	PS-1816	16.750" x 14.875"	14
N1C-182006	18.00" x 20.00" x 6.00"	16/16	5.515"	PP-1820	P2-1820	PS-1820	16.750" x 18.875"	14
N1C-201606D	20.00" x 16.00" x 6.625"	16/14	6.140"	PP-2016	P2-2016	PS-2016	18.750" x 14.875"	14
N1C-201608D	20.00" x 16.00" x 8.625"	16/14	8.140"	PP-2016	P2-2016	PS-2016	18.750" x 14.875"	14
N1C-202006D	20.00" x 20.00" x 6.625"	16/14	6.140"	PP-2020	P2-2020	PS-2020	18.750" x 18.875"	14
N1C-202008D	20.00" x 20.00" x 8.625"	16/14	8.140"	PP-2020	P2-2020	PS-2020	18.750" x 18.875"	14
N1C-242006	24.00" x 20.00" x 6.00"	16/14	5.515"	PP-2420	P2-2420	PS-2420	22.750" x 18.875"	14
N1C-242006D	24.00" x 20.00" x 6.625"	16/14	6.140"	PP-2420	P2-2420	PS-2420	22.750" x 18.875"	14
N1C-242009	24.00" x 20.00" x 9.375"	16/14	8.890"	PP-2420	P2-2420	PS-2420	22.750" x 18.875"	14
N1C-242406	24.00" x 24.00" x 6.00"	16/14	5.515"	PP-2424	P2-2424	PS-2424	22.750" x 22.875"	14
N1C-242406D	24.00" x 24.00" x 6.625"	16/14	6.140"	PP-2424	P2-2424	PS-2424	22.750" x 22.875"	14
N1C-242408D	24.00" x 24.00" x 8.625"	16/14	8.140"	PP-2424	P2-2424	PS-2424	22.750" x 22.875"	14
N1C-242409	24.00" x 24.00" x 9.375"	16/14	8.890"	PP-2424	P2-2424	PS-2424	22.750" x 22.875"	14
N1C-242412	24.00" x 24.00" x 12.625"	16/14	12.140"	PP-2424	P2-2424	PS-2424	22.750" x 22.875"	14
N1C-302406D	30.00" x 24.00" x 6.625"	16/14	6.140"	PP-3024	P2-3024	PS-3024	28.750" x 22.875"	14
N1C-302408	30.00" x 24.00" x 8.00"	16/14	7.515"	PP-3024	P2-3024	PS-3024	28.750" x 22.875"	14
N1C-302408D	30.00" x 24.00" x 8.625"	16/14	8.140"	PP-3024	P2-3024	PS-3024	28.750" x 22.875"	14
N1C-302412	30.00" x 24.00" x 12.625"	14/14	12.125"	PP-3024	P2-3024	PS-3024	28.750" x 22.875"	14
N1C-353009	35.00" x 30.00" x 9.375"	14/14	8.875"	PP-3530	P2-3530	PS-3530	33.750" x 28.875"	14
N1C-362406	36.00" x 24.00" x 6.00"	14/14	5.500"	PP-3624	P2-3624	PS-3624	34.750" x 22.875"	14
N1C-362406D	36.00" x 24.00" x 6.625"	14/14	6.125"	PP-3624	P2-3624	PS-3624	34.750" x 22.875"	14
N1C-362408D	36.00" x 24.00" x 8.625"	14/14	8.125"	PP-3624	P2-3624	PS-3624	34.750" x 22.875"	14
N1C-362409	36.00" x 24.00" x 9.375"	14/14	8.875"	PP-3624	P2-3624	PS-3624	34.750" x 22.875"	14
N1C-362412	36.00" x 24.00" x 12.625"	14/14	12.125"	PP-3624	P2-3624	PS-3624	34.750" x 22.875"	14
N1C-423609	42.00" x 36.00" x 9.375"	14/14	8.845"	PP-4236	P2-4236	PS-4236	40.750" x 34.875"	12
N1C-493009	49.25" x 30.00" x 9.375"	14/14	8.845"	PP-4930	P2-4930	PS-4930	48.000" x 28.875"	12



211 INDUSTRIAL COURT
WABASHA, MN 55981

Phone: (651) 565-3395
Fax: (651) 565-2787
E-mail: info@thomasindustriesinc.com
www.thomasindustriesinc.com

*DATA SUBJECT TO CHANGE WITHOUT NOTICE

TYPE 1 CONTINUOUS HINGE ENCLOSURES WITH KEYED LOCK

1-4

TYPE 1 ENCLOSURES



Industry Standards
UL 508A, Type 1
NEMA Type 1



UL File E235575

Applications:

Designed for indoor applications, which do not have oil-tight and dust-tight requirements.

Construction:

- Steel fabricated doors and enclosures.
- Door and body stiffeners installed when width is greater than 30 inches.
- Doors secured with continuous hinges and keyed quarter turn latch.
- Mounting holes supplied on back of enclosure.
- Enclosure design allows mounting with doors opening either left or right.
- Standoff provided for mounting of optional back panels.
- Various sizes of knockouts are supplied on all four sides of the enclosure.
- Locks are keyed alike.

Finish:

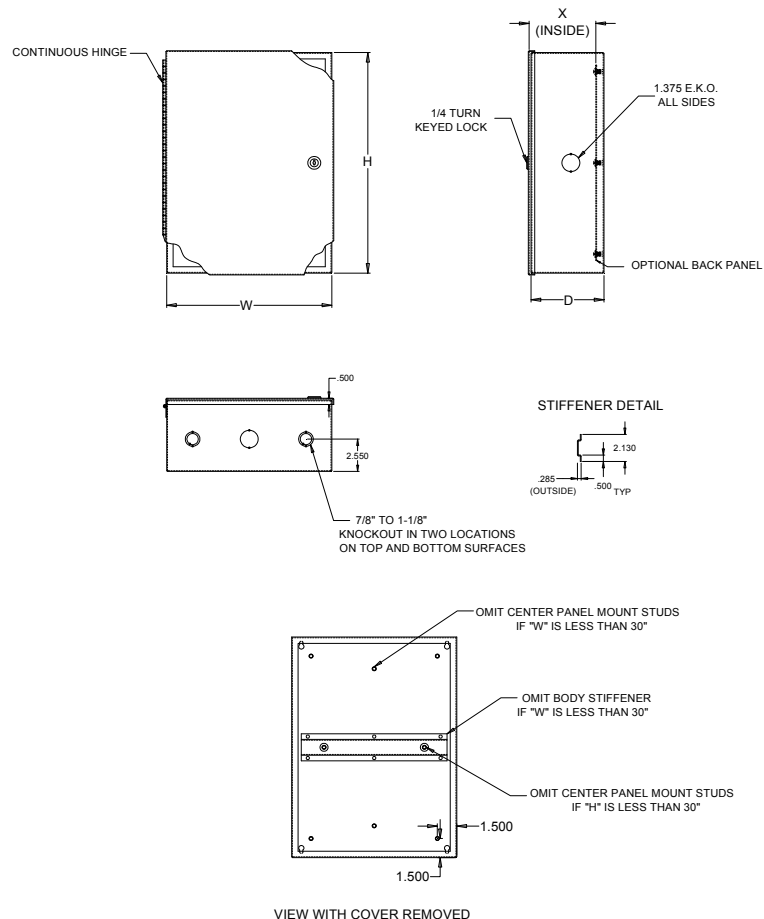
- ANSI-61 gray powder coat.

Accessories:

- Back panels (see reference chart, pg. 6-1)

Options:

- Custom sizes available, please call for details.
- Optional colors available, please call for details.



211 INDUSTRIAL COURT
WABASHA, MN 55981

Phone: (651) 565-3395
Fax: (651) 565-2787
E-mail: info@thomasindustriesinc.com
www.thomasindustriesinc.com

*DATA SUBJECT TO CHANGE WITHOUT NOTICE

TYPE 1 CONTINUOUS HINGE ENCLOSURES WITH KEYED LOCK

Enclosure Catalog Number	Enclosure Size H x W x D	Body/Door Steel Gauge	X	Back Panel Catalog Number			Back Panel Size A x B	Back Panel Gauge
				PP	P2	PS		
N1C-080604K	8.00" x 6.00" x 4.00"	16/16	3.515"	PP-0806	P2-0806	PS-0806	6.750" x 4.875"	14
N1C-100804K	10.00" x 8.00" x 4.00"	16/16	3.515"	PP-1008	P2-1008	PS-1008	8.750" x 6.875"	14
N1C-121006K	12.00" x 10.00" x 6.00"	16/16	5.515"	PP-1210	P2-1210	PS-1210	10.750" x 8.875"	14
N1C-121204K	12.00" x 12.00" x 4.00"	16/16	3.515"	PP-1212	P2-1212	PS-1212	10.750" x 10.875"	14
N1C-121206K	12.00" x 12.00" x 6.00"	16/16	5.515"	PP-1212	P2-1212	PS-1212	10.750" x 10.875"	14
N1C-121208K	12.00" x 12.00" x 8.00"	16/16	7.515"	PP-1212	P2-1212	PS-1212	10.750" x 10.875"	14
N1C-141206K	14.00" x 12.00" x 6.00"	16/16	5.515"	PP-1412	P2-1412	PS-1412	12.750" x 10.875"	14
N1C-141208K	14.00" x 12.00" x 8.00"	16/16	7.515"	PP-1412	P2-1412	PS-1412	12.750" x 10.875"	14
N1C-161206K	16.00" x 12.00" x 6.00"	16/16	5.515"	PP-1612	P2-1612	PS-1612	14.750" x 10.875"	14
N1C-161206DK	16.00" x 12.00" x 6.625"	16/16	6.140"	PP-1612	P2-1612	PS-1612	14.750" x 10.875"	14
N1C-161606DK	16.00" x 16.00" x 6.625"	16/16	6.140"	PP-1616	P2-1616	PS-1616	14.750" x 14.875"	14
N1C-171205K	17.375" x 12.75" x 5.625"	16/16	5.140"	PP-1712	P2-1712	PS-1712	16.375" x 11.625"	14
N1C-181606K	18.00" x 16.00" x 6.00"	16/16	5.515"	PP-1816	P2-1816	PS-1816	16.750" x 14.875"	14
N1C-182006K	18.00" x 20.00" x 6.00"	16/16	5.515"	PP-1820	P2-1820	PS-1820	16.750" x 18.875"	14
N1C-201606DK	20.00" x 16.00" x 6.625"	16/14	6.140"	PP-2016	P2-2016	PS-2016	18.750" x 14.875"	14
N1C-201608DK	20.00" x 16.00" x 8.625"	16/14	8.140"	PP-2016	P2-2016	PS-2016	18.750" x 14.875"	14
N1C-202006DK	20.00" x 20.00" x 6.625"	16/14	6.140"	PP-2020	P2-2020	PS-2020	18.750" x 18.875"	14
N1C-202008DK	20.00" x 20.00" x 8.625"	16/14	8.140"	PP-2020	P2-2020	PS-2020	18.750" x 18.875"	14
N1C-242006K	24.00" x 20.00" x 6.00"	16/14	5.515"	PP-2420	P2-2420	PS-2420	22.750" x 18.875"	14
N1C-242006DK	24.00" x 20.00" x 6.625"	16/14	6.140"	PP-2420	P2-2420	PS-2420	22.750" x 18.875"	14
N1C-242009K	24.00" x 20.00" x 9.375"	16/14	8.890"	PP-2420	P2-2420	PS-2420	22.750" x 18.875"	14
N1C-242406K	24.00" x 24.00" x 6.00"	16/14	5.515"	PP-2424	P2-2424	PS-2424	22.750" x 22.875"	14
N1C-242406DK	24.00" x 24.00" x 6.625"	16/14	6.140"	PP-2424	P2-2424	PS-2424	22.750" x 22.875"	14
N1C-242408DK	24.00" x 24.00" x 8.625"	16/14	8.140"	PP-2424	P2-2424	PS-2424	22.750" x 22.875"	14
N1C-242409K	24.00" x 24.00" x 9.375"	16/14	8.890"	PP-2424	P2-2424	PS-2424	22.750" x 22.875"	14
N1C-242412K	24.00" x 24.00" x 12.625"	16/14	12.140"	PP-2424	P2-2424	PS-2424	22.750" x 22.875"	14
N1C-302406DK	30.00" x 24.00" x 6.625"	16/14	6.140"	PP-3024	P2-3024	PS-3024	28.750" x 22.875"	14
N1C-302408K	30.00" x 24.00" x 8.00"	16/14	7.515"	PP-3024	P2-3024	PS-3024	28.750" x 22.875"	14
N1C-302408DK	30.00" x 24.00" x 8.625"	16/14	8.140"	PP-3024	P2-3024	PS-3024	28.750" x 22.875"	14
N1C-302412K	30.00" x 24.00" x 12.625"	14/14	12.125"	PP-3024	P2-3024	PS-3024	28.750" x 22.875"	14
N1C-353009K	35.00" x 30.00" x 9.375"	14/14	8.875"	PP-3530	P2-3530	PS-3530	33.750" x 28.875"	14
N1C-362406K	36.00" x 24.00" x 6.00"	14/14	5.500"	PP-3624	P2-3624	PS-3624	34.750" x 22.875"	14
N1C-362406DK	36.00" x 24.00" x 6.625"	14/14	6.125"	PP-3624	P2-3624	PS-3624	34.750" x 22.875"	14
N1C-362408DK	36.00" x 24.00" x 8.625"	14/14	8.125"	PP-3624	P2-3624	PS-3624	34.750" x 22.875"	14
N1C-362409K	36.00" x 24.00" x 9.375"	14/14	8.875"	PP-3624	P2-3624	PS-3624	34.750" x 22.875"	14
N1C-362412K	36.00" x 24.00" x 12.625"	14/14	12.125"	PP-3624	P2-3624	PS-3624	34.750" x 22.875"	14
N1C-423609K	42.00" x 36.00" x 9.375"	14/14	8.845"	PP-4236	P2-4236	PS-4236	40.750" x 34.875"	12
N1C-493009K	49.25" x 30.00" x 9.375"	14/14	8.845"	PP-4930	P2-4930	PS-4930	48.000" x 28.875"	12



211 INDUSTRIAL COURT
WABASHA, MN 55981

Phone: (651) 565-3395
 Fax: (651) 565-2787
 E-mail: info@thomasindustriesinc.com
www.thomasindustriesinc.com

*DATA SUBJECT TO CHANGE WITHOUT NOTICE

TYPE 1 ENCLOSURES WITH LIFT-OFF HINGES

TYPE 1 ENCLOSURES



Industry Standards
UL 508A, Type 1
NEMA Type 1



UL File E235575

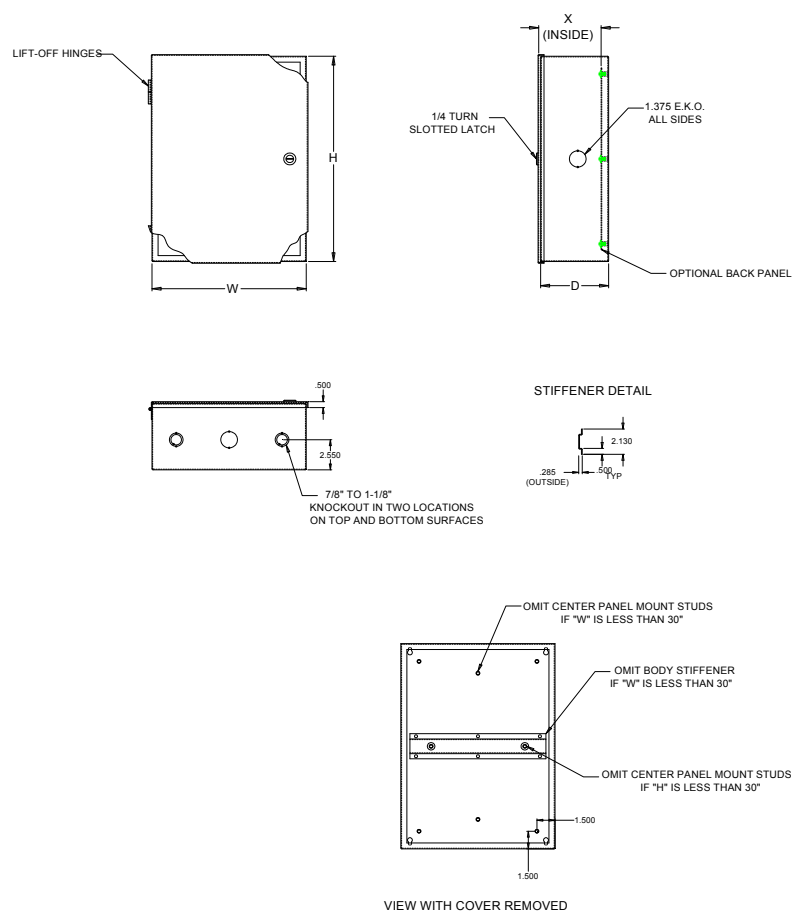
Applications:
Designed for indoor applications, which do not have oil-tight and dust-tight requirements.

- Construction:**
- Steel fabricated doors and enclosures.
 - Door and body stiffeners installed when width is greater than 30 inches.
 - Doors secured with lift-off hinges and quarter turn latch.
 - Mounting holes supplied on back of enclosure.
 - Enclosure/Door design allows doors to be removed.
 - Standoff provided for mounting of optional back panels.
 - Various sizes of knockouts are supplied on all four sides of the enclosure.

Finish:
- ANSI-61 gray powder coat.

Accessories:
- Back panels (see reference chart, pg. 6-1)

Options:
- Custom sizes available, please call for details.
- Optional colors available, please call for details.



211 INDUSTRIAL COURT
WABASHA, MN 55981

Phone: (651) 565-3395
Fax: (651) 565-2787
E-mail: info@thomasindustriesinc.com
www.thomasindustriesinc.com

*DATA SUBJECT TO CHANGE WITHOUT NOTICE

TYPE 1 ENCLOSURES WITH LIFT-OFF HINGES

Enclosure Catalog Number	Enclosure Size H x W x D	Body/Door Steel Gauge	X	Back Panel Catalog Number			Back Panel Size A x B	Back Panel Gauge
				PP	P2	PS		
N1LR-080604	8.00" x 6.00" x 4.00"	16/16	3.515"	PP-0806	P2-0806	PS-0806	6.750" x 4.875"	14
N1LR-100804	10.00" x 8.00" x 4.00"	16/16	3.515"	PP-1008	P2-1008	PS-1008	8.750" x 6.875"	14
N1LR-121006	12.00" x 10.00" x 6.00"	16/16	5.515"	PP-1210	P2-1210	PS-1210	10.750" x 8.875"	14
N1LR-121204	12.00" x 12.00" x 4.00"	16/16	3.515"	PP-1212	P2-1212	PS-1212	10.750" x 10.875"	14
N1LR-121206	12.00" x 12.00" x 6.00"	16/16	5.515"	PP-1212	P2-1212	PS-1212	10.750" x 10.875"	14
N1LR-121208	12.00" x 12.00" x 8.00"	16/16	7.515"	PP-1212	P2-1212	PS-1212	10.750" x 10.875"	14
N1LR-141206	14.00" x 12.00" x 6.00"	16/16	5.515"	PP-1412	P2-1412	PS-1412	12.750" x 10.875"	14
N1LR-141208	14.00" x 12.00" x 8.00"	16/16	7.515"	PP-1412	P2-1412	PS-1412	12.750" x 10.875"	14
N1LR-161206	16.00" x 12.00" x 6.00"	16/16	5.515"	PP-1612	P2-1612	PS-1612	14.750" x 10.875"	14
N1LR-161206D	16.00" x 12.00" x 6.625"	16/16	6.140"	PP-1612	P2-1612	PS-1612	14.750" x 10.875"	14
N1LR-161606D	16.00" x 16.00" x 6.625"	16/16	6.140"	PP-1616	P2-1616	PS-1616	14.750" x 14.875"	14
N1LR-171205	17.375" x 12.75" x 5.625"	16/16	5.140"	PP-1712	P2-1712	PS-1712	16.375" x 11.625"	14
N1LR-181606	18.00" x 16.00" x 6.00"	16/16	5.515"	PP-1816	P2-1816	PS-1816	16.750" x 14.875"	14
N1LR-182006	18.00" x 20.00" x 6.00"	16/16	5.515"	PP-1820	P2-1820	PS-1820	16.750" x 18.875"	14
N1LR-201606D	20.00" x 16.00" x 6.625"	16/14	6.140"	PP-2016	P2-2016	PS-2016	18.750" x 14.875"	14
N1LR-201608D	20.00" x 16.00" x 8.625"	16/14	8.140"	PP-2016	P2-2016	PS-2016	18.750" x 14.875"	14
N1LR-202006D	20.00" x 20.00" x 6.625"	16/14	6.140"	PP-2020	P2-2020	PS-2020	18.750" x 18.875"	14
N1LR-202008D	20.00" x 20.00" x 8.625"	16/14	8.140"	PP-2020	P2-2020	PS-2020	18.750" x 18.875"	14
N1LR-242006	24.00" x 20.00" x 6.00"	16/14	5.515"	PP-2420	P2-2420	PS-2420	22.750" x 18.875"	14
N1LR-242006D	24.00" x 20.00" x 6.625"	16/14	6.140"	PP-2420	P2-2420	PS-2420	22.750" x 18.875"	14
N1LR-242009	24.00" x 20.00" x 9.375"	16/14	8.890"	PP-2420	P2-2420	PS-2420	22.750" x 18.875"	14
N1LR-242406	24.00" x 24.00" x 6.00"	16/14	5.515"	PP-2424	P2-2424	PS-2424	22.750" x 22.875"	14
N1LR-242406D	24.00" x 24.00" x 6.625"	16/14	6.140"	PP-2424	P2-2424	PS-2424	22.750" x 22.875"	14
N1LR-242408D	24.00" x 24.00" x 8.625"	16/14	8.140"	PP-2424	P2-2424	PS-2424	22.750" x 22.875"	14
N1LR-242409	24.00" x 24.00" x 9.375"	16/14	8.890"	PP-2424	P2-2424	PS-2424	22.750" x 22.875"	14
N1LR-242412	24.00" x 24.00" x 12.625"	16/14	12.140"	PP-2424	P2-2424	PS-2424	22.750" x 22.875"	14
N1LR-302406D	30.00" x 24.00" x 6.625"	16/14	6.140"	PP-3024	P2-3024	PS-3024	28.750" x 22.875"	14
N1LR-302408	30.00" x 24.00" x 8.00"	16/14	7.515"	PP-3024	P2-3024	PS-3024	28.750" x 22.875"	14
N1LR-302408D	30.00" x 24.00" x 8.625"	16/14	8.140"	PP-3024	P2-3024	PS-3024	28.750" x 22.875"	14
N1LR-302412	30.00" x 24.00" x 12.625"	14/14	12.125"	PP-3024	P2-3024	PS-3024	28.750" x 22.875"	14
N1LR-353009	35.00" x 30.00" x 9.375"	14/14	8.875"	PP-3530	P2-3530	PS-3530	33.750" x 28.875"	14
N1LR-362406	36.00" x 24.00" x 6.00"	14/14	5.500"	PP-3624	P2-3624	PS-3624	34.750" x 22.875"	14
N1LR-362406D	36.00" x 24.00" x 6.625"	14/14	6.125"	PP-3624	P2-3624	PS-3624	34.750" x 22.875"	14
N1LR-362408D	36.00" x 24.00" x 8.625"	14/14	8.125"	PP-3624	P2-3624	PS-3624	34.750" x 22.875"	14
N1LR-362409	36.00" x 24.00" x 9.375"	14/14	8.875"	PP-3624	P2-3624	PS-3624	34.750" x 22.875"	14
N1LR-362412	36.00" x 24.00" x 12.625"	14/14	12.125"	PP-3624	P2-3624	PS-3624	34.750" x 22.875"	14
N1LR-423609	42.00" x 36.00" x 9.375"	14/14	8.845"	PP-4236	P2-4236	PS-4236	40.750" x 34.875"	12
N1LR-493009	49.25" x 30.00" x 9.375"	14/14	8.845"	PP-4930	P2-4930	PS-4930	48.000" x 28.875"	12



211 INDUSTRIAL COURT
WABASHA, MN 55981

Phone: (651) 565-3395
 Fax: (651) 565-2787
 E-mail: info@thomasindustriesinc.com
www.thomasindustriesinc.com

*DATA SUBJECT TO CHANGE WITHOUT NOTICE

TYPE 1 ENCLOSURES WITH LIFT-OFF HINGES AND KEYED LOCK

1-6

TYPE 1 ENCLOSURES



Industry Standards
UL 508A, Type 1
NEMA Type 1



UL File E235575

Applications:

Designed for indoor applications, which do not have oil-tight and dust-tight requirements.

Construction:

- Steel fabricated doors and enclosures.
- Door and body stiffeners installed when width is greater than 30 inches.
- Doors secured with lift-off hinges and keyed lock.
- Locks are keyed alike.
- Mounting holes supplied on back of enclosure.
- Enclosure/Door design allows doors to be removed.
- Standoff provided for mounting of optional back panels.
- Various sizes of knockouts are supplied on all four sides of the enclosure.

Finish:

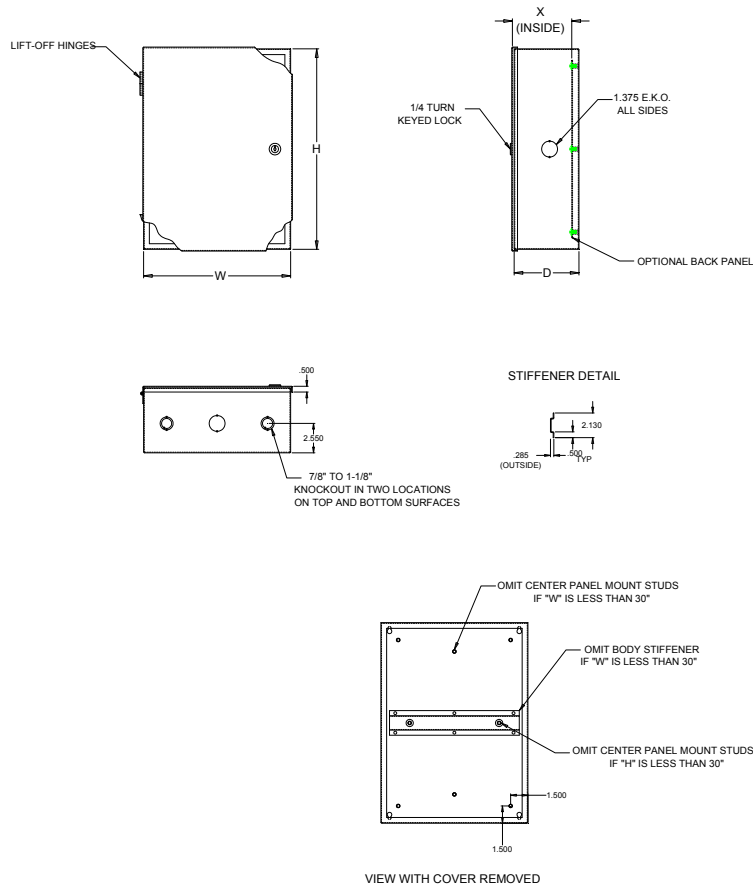
- ANSI-61 gray powder coat.

Accessories:

- Back panels (see reference chart, pg. 6-1)

Options:

- Custom sizes available, please call for details.
- Optional colors available, please call for details.



211 INDUSTRIAL COURT
WABASHA, MN 55981

Phone: (651) 565-3395
Fax: (651) 565-2787
E-mail: info@thomasindustriesinc.com
www.thomasindustriesinc.com

*DATA SUBJECT TO CHANGE WITHOUT NOTICE

TYPE 1 ENCLOSURES WITH LIFT-OFF HINGES AND KEYED LOCK

Enclosure Catalog Number	Enclosure Size H x W x D	Body/Door Steel Gauge	X	Back Panel Catalog Number			Back Panel Size A x B	Back Panel Gauge
				PP-0806	P2-0806	PS-0806		
N1LR-080604K	8.00" x 6.00" x 4.00"	16/16	3.515"	PP-0806	P2-0806	PS-0806	6.750" x 4.875"	14
N1LR-100804K	10.00" x 8.00" x 4.00"	16/16	3.515"	PP-1008	P2-1008	PS-1008	8.750" x 6.875"	14
N1LR-121006K	12.00" x 10.00" x 6.00"	16/16	5.515"	PP-1210	P2-1210	PS-1210	10.750" x 8.875"	14
N1LR-121204K	12.00" x 12.00" x 4.00"	16/16	3.515"	PP-1212	P2-1212	PS-1212	10.750" x 10.875"	14
N1LR-121206K	12.00" x 12.00" x 6.00"	16/16	5.515"	PP-1212	P2-1212	PS-1212	10.750" x 10.875"	14
N1LR-121208K	12.00" x 12.00" x 8.00"	16/16	7.515"	PP-1212	P2-1212	PS-1212	10.750" x 10.875"	14
N1LR-141206K	14.00" x 12.00" x 6.00"	16/16	5.515"	PP-1412	P2-1412	PS-1412	12.750" x 10.875"	14
N1LR-141208K	14.00" x 12.00" x 8.00"	16/16	7.515"	PP-1412	P2-1412	PS-1412	12.750" x 10.875"	14
N1LR-161206K	16.00" x 12.00" x 6.00"	16/16	5.515"	PP-1612	P2-1612	PS-1612	14.750" x 10.875"	14
N1LR-161206DK	16.00" x 12.00" x 6.625"	16/16	6.140"	PP-1612	P2-1612	PS-1612	14.750" x 10.875"	14
N1LR-161606DK	16.00" x 16.00" x 6.625"	16/16	6.140"	PP-1616	P2-1616	PS-1616	14.750" x 14.875"	14
N1LR-171205K	17.375" x 12.75" x 5.625"	16/16	5.140"	PP-1712	P2-1712	PS-1712	16.375" x 11.625"	14
N1LR-181606K	18.00" x 16.00" x 6.00"	16/16	5.515"	PP-1816	P2-1816	PS-1816	16.750" x 14.875"	14
N1LR-182006K	18.00" x 20.00" x 6.00"	16/16	5.515"	PP-1820	P2-1820	PS-1820	16.750" x 18.875"	14
N1LR-201606DK	20.00" x 16.00" x 6.625"	16/14	6.140"	PP-2016	P2-2016	PS-2016	18.750" x 14.875"	14
N1LR-201608DK	20.00" x 16.00" x 8.625"	16/14	8.140"	PP-2016	P2-2016	PS-2016	18.750" x 14.875"	14
N1LR-202006DK	20.00" x 20.00" x 6.625"	16/14	6.140"	PP-2020	P2-2020	PS-2020	18.750" x 18.875"	14
N1LR-202008DK	20.00" x 20.00" x 8.625"	16/14	8.140"	PP-2020	P2-2020	PS-2020	18.750" x 18.875"	14
N1LR-242006K	24.00" x 20.00" x 6.00"	16/14	5.515"	PP-2420	P2-2420	PS-2420	22.750" x 18.875"	14
N1LR-242006DK	24.00" x 20.00" x 6.625"	16/14	6.140"	PP-2420	P2-2420	PS-2420	22.750" x 18.875"	14
N1LR-242009K	24.00" x 20.00" x 9.375"	16/14	8.890"	PP-2420	P2-2420	PS-2420	22.750" x 18.875"	14
N1LR-242406K	24.00" x 24.00" x 6.00"	16/14	5.515"	PP-2424	P2-2424	PS-2424	22.750" x 22.875"	14
N1LR-242406DK	24.00" x 24.00" x 6.625"	16/14	6.140"	PP-2424	P2-2424	PS-2424	22.750" x 22.875"	14
N1LR-242408DK	24.00" x 24.00" x 8.625"	16/14	8.140"	PP-2424	P2-2424	PS-2424	22.750" x 22.875"	14
N1LR-242409K	24.00" x 24.00" x 9.375"	16/14	8.890"	PP-2424	P2-2424	PS-2424	22.750" x 22.875"	14
N1LR-242412K	24.00" x 24.00" x 12.625"	16/14	12.140"	PP-2424	P2-2424	PS-2424	22.750" x 22.875"	14
N1LR-302406DK	30.00" x 24.00" x 6.625"	16/14	6.140"	PP-3024	P2-3024	PS-3024	28.750" x 22.875"	14
N1LR-302408K	30.00" x 24.00" x 8.00"	16/14	7.515"	PP-3024	P2-3024	PS-3024	28.750" x 22.875"	14
N1LR-302408DK	30.00" x 24.00" x 8.625"	16/14	8.140"	PP-3024	P2-3024	PS-3024	28.750" x 22.875"	14
N1LR-302412K	30.00" x 24.00" x 12.625"	14/14	12.125"	PP-3024	P2-3024	PS-3024	28.750" x 22.875"	14
N1LR-353009K	35.00" x 30.00" x 9.375"	14/14	8.875"	PP-3530	P2-3530	PS-3530	33.750" x 28.875"	14
N1LR-362406K	36.00" x 24.00" x 6.00"	14/14	5.500"	PP-3624	P2-3624	PS-3624	34.750" x 22.875"	14
N1LR-362406DK	36.00" x 24.00" x 6.625"	14/14	6.125"	PP-3624	P2-3624	PS-3624	34.750" x 22.875"	14
N1LR-362408DK	36.00" x 24.00" x 8.625"	14/14	8.125"	PP-3624	P2-3624	PS-3624	34.750" x 22.875"	14
N1LR-362409K	36.00" x 24.00" x 9.375"	14/14	8.875"	PP-3624	P2-3624	PS-3624	34.750" x 22.875"	14
N1LR-362412K	36.00" x 24.00" x 12.625"	14/14	12.125"	PP-3624	P2-3624	PS-3624	34.750" x 22.875"	14
N1LR-423609K	42.00" x 36.00" x 9.375"	14/14	8.845"	PP-4236	P2-4236	PS-4236	40.750" x 34.875"	12
N1LR-493009K	49.25" x 30.00" x 9.375"	14/14	8.845"	PP-4930	P2-4930	PS-4930	48.000" x 28.875"	12



211 INDUSTRIAL COURT
WABASHA, MN 55981

Phone: (651) 565-3395
 Fax: (651) 565-2787
 E-mail: info@thomasindustriesinc.com
www.thomasindustriesinc.com

TYPE 1 SCREW COVER ENCLOSURES

1-7

TYPE 1 ENCLOSURES



Industry Standards
UL 508A, Type 1
NEMA Type 1



UL File E235575

Application:

Designed for use as a junction box and pull box in general indoor applications.

Construction:

- Steel fabricated enclosure and cover
- Mounting holes supplied on back of enclosure.
- Various sizes of knockouts are supplied on all four sides of the enclosure (see drawing for knockout pattern).
- Cover design allows for removal without fully removing screws.
- Cover secured with plated steel screws.

Finish:

- ANSI 61 gray powder coating inside and out over phosphatized surfaces.

Options:

- Custom sizes and colors available. Please call for details.

Enclosure Catalog Number	Enclosure Size H x W x D	Body/Door Steel Gauge
SC-040404	4.00" x 4.00" x 4.00"	16/16
SC-060604	6.00" x 6.00" x 4.00"	16/16
SC-080804	8.00" x 8.00" x 4.00"	16/16
SC-101004	10.00" x 10.00" x 4.00"	16/16
SC-121204	12.00" x 12.00" x 4.00"	16/16
SC-060606	6.00" x 6.00" x 6.00"	16/16
SC-080806	8.00" x 8.00" x 6.00"	16/16
SC-101006	10.00" x 10.00" x 6.00"	16/16
SC-121206	12.00" x 12.00" x 6.00"	16/16



211 INDUSTRIAL COURT
WABASHA, MN 55981

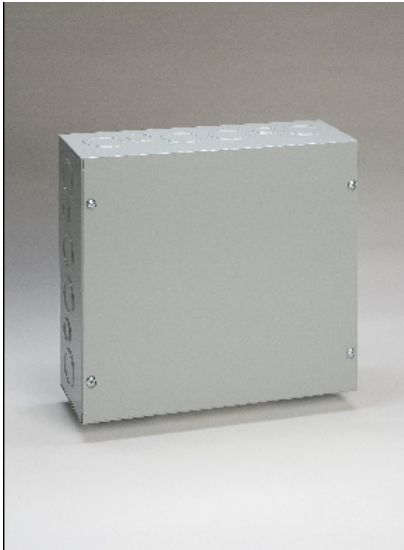
Phone: (651) 565-3395
Fax: (651) 565-2787
E-mail: info@thomasindustriesinc.com
www.thomasindustriesinc.com

*DATA SUBJECT TO CHANGE WITHOUT NOTICE

TYPE 1 SCREW COVER ENCLOSURES WITH PERFORATED BACK PANELS

1-8

TYPE 1 ENCLOSURES



Industry Standards
UL 508A, Type 1
NEMA Type 1



UL File E235575

Application:

Designed for use as a junction box and pull box in general indoor applications.

Construction:

- Steel fabricated enclosure and cover
- Mounting holes supplied on back of enclosure.
- Various sizes of knockouts are supplied on all four sides of the enclosure (see drawing for knockout pattern).
- Cover design allows for removal without fully removing screws.
- Cover secured with plated steel screws.
- Standoffs provided for mounting fully perforated back panel.
- Back panel is constructed of 14 gauge fully perforated mild steel.

Finish:

- ANSI 61 gray powder coating inside and out over phosphatized surfaces. Panels are powder coated white.

Options:

- Custom sizes and colors available. Please call for details.

Enclosure Catalog Number	Enclosure Size H x W x D	Body/Door Steel Gauge	X
SC-060604H	6.00" x 6.00" x 4.00"	16/16	3.363"
SC-080804H	8.00" x 8.00" x 4.00"	16/16	3.363"
SC-101004H	10.00" x 10.00" x 4.00"	16/16	3.363"
SC-121204H	12.00" x 12.00" x 4.00"	16/16	3.363"
SC-060606H	6.00" x 6.00" x 6.00"	16/16	5.363"
SC-080806H	8.00" x 8.00" x 6.00"	16/16	5.363"
SC-101006H	10.00" x 10.00" x 6.00"	16/16	5.363"
SC-121206H	12.00" x 12.00" x 6.00"	16/16	5.363"

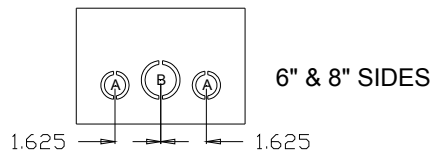
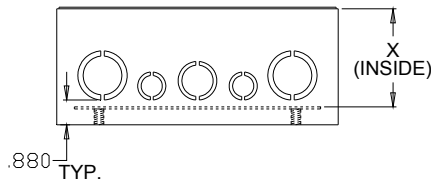
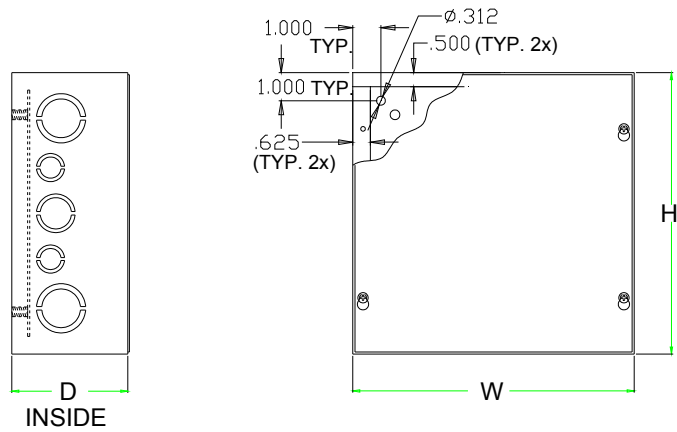


211 INDUSTRIAL COURT
WABASHA, MN 55981

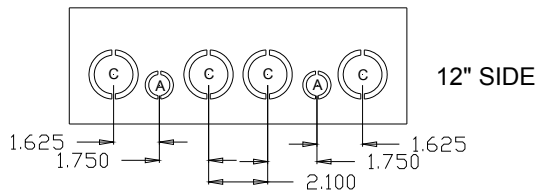
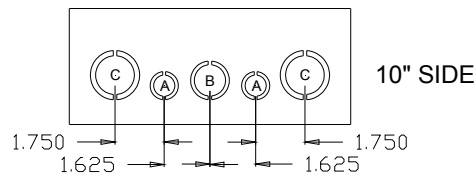
Phone: (651) 565-3395
Fax: (651) 565-2787
E-mail: info@thomasindustriesinc.com
www.thomasindustriesinc.com

*DATA SUBJECT TO CHANGE WITHOUT NOTICE

TYPE 1 SCREW COVER ENCLOSURES WITH PERFORATED BACK PANELS



KNOCKOUT SIZE CHART (CONDUIT SIZE)	
A	1/2" - 3/4"
B	3/4" - 1"
C	1" - 1-1/4"



211 INDUSTRIAL COURT
WABASHA, MN 55981

Phone: (651) 565-3395
Fax: (651) 565-2787
E-mail: info@Thomasindustriesinc.com
www.Thomasindustriesinc.com

TYPE 3R HINGED COVER ENCLOSURES

2-1



Industry Standards
UL 508A, Type 1, 3R
NEMA Type 1, 3R



UL File E235575

TYPE 3R ENCLOSURES

Application:

Designed for use as a wiring box and junction box. Provides protection in outdoor applications against rain, sleet, and snow or indoors against dripping water.

Construction:

- Steel fabricated door and enclosure.
- Drip shield top and seam-free sides, front and back.
- Doors are secured with draw latches.
- Door is hinged on left side.
- Provision for padlocking on each latch.
- Embossed mounting holes on back of enclosure.
- No knockouts.

Finish:

- ANSI 61 gray powder coating inside and out over phosphatized surfaces. Optional panels are powder coated white.

Accessories:

- Back panels (see reference chart, pg. 6-2).
- Mounting feet kit (see reference chart, pg. 7-3).
- Panel mounting kit (see reference chart, pg. 7-3).

Options:

- Custom sizes and colors available. Please call for details.

Enclosure Catalog Number		Enclosure Size H x W x D	Body/Door Steel Gauge	X	Z	Back Panel Catalog Number	Back Panel Size A x B	Back Panel Gauge	Back Panel Mounting Kit	Mounting Feet Kit
Painted	Galvanized									
N3RLO-121206	N3RLO-121206G	12.00" x 12.00" x 6.00"	16/16	5.58"	2.50"	PS-1212-3R	10.80" x 8.80"	14	PMK3R-16	MFK3R-002
N3RLO-161206	N3RLO-161206G	16.00" x 12.00" x 6.00"	16/16	5.58"	2.50"	PS-1612-3R	12.80" x 10.80"	14	PMK3R-16	MFK3R-002
N3RLO-161606	N3RLO-161606G	16.00" x 16.00" x 6.00"	14/16	5.27"	13.00"	PS-1616-3R	13.00" x 13.00"	14	PMK3R-14	MFK3R-013
N3RLO-201606	N3RLO-201606G	20.00" x 16.00" x 6.00"	14/16	5.27"	13.00"	PS-2016-3R	17.00" x 13.00"	12	PMK3R-14	MFK3R-013
N3RLO-242008	N3RLO-242008G	24.00" x 20.00" x 8.00"	14/16	7.27"	13.00"	PS-2420-3R	21.00" x 17.00"	12	PMK3R-14	MFK3R-013
N3RLO-242408	N3RLO-242408G	24.00" x 24.00" x 8.00"	14/16	7.27"	13.00"	PS-2424-3R	21.00" x 21.00"	12	PMK3R-14	MFK3R-013
N3RLO-302408	N3RLO-302408G	30.00" x 24.00" x 8.00"	14/16	7.27"	13.00"	PS-3024-3R	27.00" x 21.00"	12	PMK3R-14	MFK3R-013
N3RLO-362412	N3RLO-362412G	36.00" x 24.00" x 12.00"	14/16	11.27"	13.00"	PS-3624-3R	33.00" x 21.00"	12	PMK3R-14	MFK3R-013
N3RLO-363012	N3RLO-363012G	36.00" x 30.00" x 12.00"	14/16	11.27"	13.00"	PS-3630-3R	33.00" x 27.00"	12	PMK3R-14	MFK3R-013

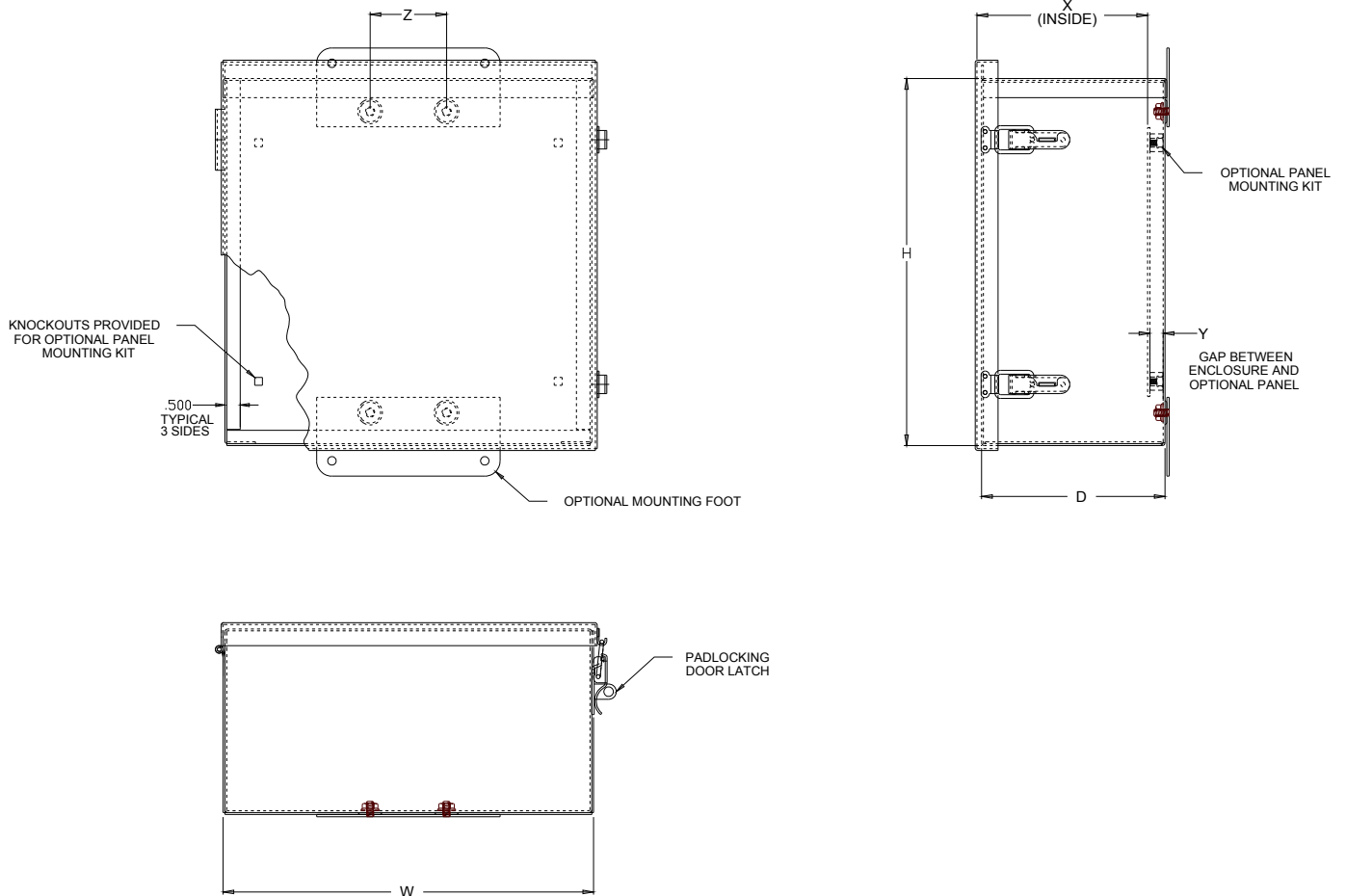


211 INDUSTRIAL COURT
WABASHA, MN 55981

Phone: (651) 565-3395
Fax: (651) 565-2787
E-mail: info@thomasindustriesinc.com
www.thomasindustriesinc.com

*DATA SUBJECT TO CHANGE WITHOUT NOTICE

TYPE 3R HINGED COVER ENCLOSURES



211 INDUSTRIAL COURT
WABASHA, MN 55981

Phone: (651) 565-3395
Fax: (651) 565-2787
E-mail: info@thomasindustriesinc.com
www.thomasindustriesinc.com

*DATA SUBJECT TO CHANGE WITHOUT NOTICE

TYPE 3R SCREW COVER ENCLOSURES



Industry Standards
UL 508A, Type 1, 3R
NEMA Type 1, 3R



UL File E235575

Application:

Designed for use as a wiring box and junction box. Provides protection in outdoor applications against rain, sleet, and snow or indoors against dripping water.

Construction:

- Steel or pre-galvanized (reference table) fabricated enclosure and cover.
- Drip shield top and seam-free sides, front and back.
- Knockouts in bottom of 16 gauge and 14 gauge enclosures.
- Provision for padlocking.
- Embossed mounting holes on back of enclosure.
- No gasketing.
- Door handles provided on all 12 gauge and select 14 gauge enclosures.

Finish:

- ANSI 61 gray powder coating inside and out over phosphatized surfaces over carbon steel.
- Pre-galvanized finish with phosphatized surfaces.

Options:

- Custom sizes and colors available. Please call for details.

Enclosure Catalog Number		Enclosure Size H x W x D	Body/Door Steel Gauge
Painted	Galvanized		
N3RSC-040404	N3RSC-040404G	4.00" x 4.00" x 4.00"	16/16
N3RSC-080804	N3RSC-080804G	8.00" x 8.00" x 4.00"	16/16
N3RSC-101004	N3RSC-101004G	10.00" x 10.00" x 4.00"	16/16
N3RSC-121204	N3RSC-121204G	12.00" x 12.00" x 4.00"	16/16
N3RSC-080806	N3RSC-080806G	8.00" x 8.00" x 6.00"	16/16
N3RSC-101006	N3RSC-101006G	10.00" x 10.00" x 6.00"	16/16
N3RSC-121206	N3RSC-121206G	12.00" x 12.00" x 6.00"	16/16
N3RSC-181206	N3RSC-181206G	18.00" x 12.00" x 6.00"	16/16
N3RSC-201606	N3RSC-201606G	20.00" x 16.00" x 6.00"	16/16
N3RSC-242008	N3RSC-242008G	24.00" x 20.00" x 8.00"	14/14
N3RSC-242408	N3RSC-242408G	24.00" x 24.00" x 8.00"	14/14
N3RSC-302408	N3RSC-302408G	30.00" x 24.00" x 8.00"	14/14
N3RSC-362412	N3RSC-362412G	36.00" x 24.00" x 12.00"	14/14
N3RSC-363012	N3RSC-363012G	36.00" x 30.00" x 12.00"	14/14

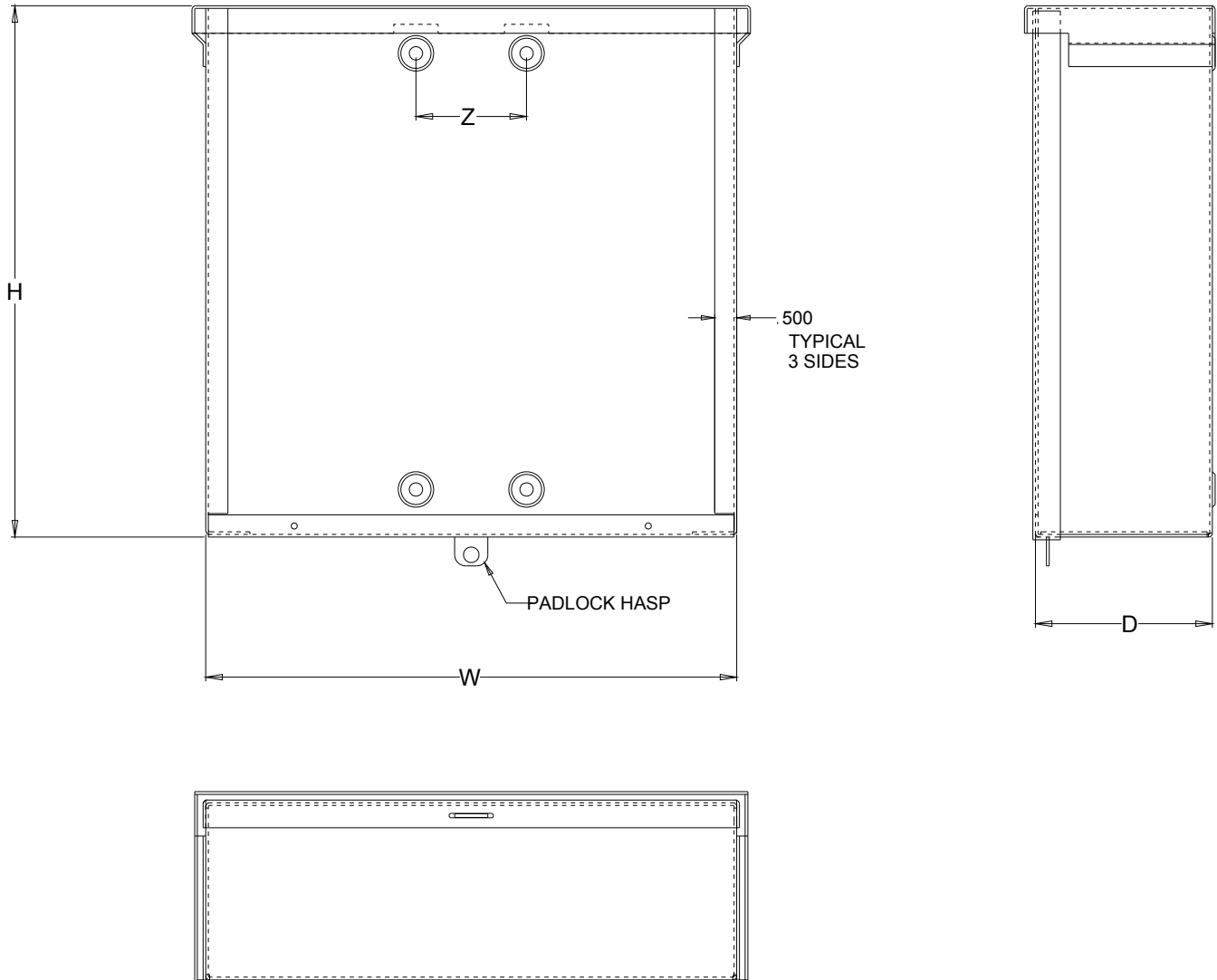


211 INDUSTRIAL COURT
WABASHA, MN 55981

*DATA SUBJECT TO CHANGE WITHOUT NOTICE

Phone: (651) 565-3395
Fax: (651) 565-2787
E-mail: info@thomasindustriesinc.com
www.thomasindustriesinc.com

TYPE 3R SCREW COVER ENCLOSURES



211 INDUSTRIAL COURT
WABASHA, MN 55981

Phone: (651) 565-3395
Fax: (651) 565-2787
E-mail: info@thomasindustriesinc.com
www.thomasindustriesinc.com

*DATA SUBJECT TO CHANGE WITHOUT NOTICE

TYPE 12 CLAMPED COVER ENCLOSURES

3-1



Industry Standards
UL 508A, Type 2, 12, 13
NEMA Type 2, 12, 13



UL File E235575

TYPE 12 ENCLOSURES

Application:

Designed to enclose electrical, electronic controls, instruments and components and provide protection from falling dirt, dust, oil and water.

Construction:

- Steel fabricated cover and enclosure.
- Smooth, continuously welded seams without knockout, cutouts, or holes.
- Welded brackets provided for enclosure mounting.
- Cover is secured with stainless steel clamps.
- Doors sealed with closed cell, oil resistant gasket.
- Internal weld studs are provided for mounting optional inner panels.
- Grounding studs are provided.

Finish:

- ANSI 61 gray powder coating inside and out over phosphatized surfaces. Optional panels are powder coated white.

Accessories:

- Back panels (see reference chart, pg. 6-1)

Options:

- Custom sizes and colors available. Please call for details.

Enclosure Catalog Number	Enclosure Size H x W x D	Body/Door Steel Gauge	X	Back Panel Catalog Number			Back Panel Size A x B	Back Panel Gauge
				PP-0806	P2-0806	PS-0806		
N12J-080604	8.00" x 6.00" x 4.12"	16/16	3.62"	PP-0806	P2-0806	PS-0806	6.750" x 4.875"	14
N12J-100804	10.00" x 8.00" x 4.12"	16/16	3.62"	PP-1008	P2-1008	PS-1008	8.750" x 6.875"	14
N12J-121006	12.00" x 10.00" x 6.12"	16/16	5.62"	PP-1210	P2-1210	PS-1210	10.750" x 8.875"	14
N12J-141206	14.00" x 12.00" x 6.12"	16/16	5.62"	PP-1412	P2-1412	PS-1412	12.750" x 10.875"	14
N12J-141208	14.00" x 12.00" x 8.12"	16/16	7.62"	PP-1412	P2-1412	PS-1412	12.750" x 10.875"	14
N12J-161406	16.00" x 14.00" x 6.12"	14/14	5.62"	PP-1614	P2-1614	PS-1614	14.750" x 12.875"	14
N12J-161408	16.00" x 14.00" x 8.12"	14/14	7.62"	PP-1614	P2-1614	PS-1614	14.750" x 12.875"	14

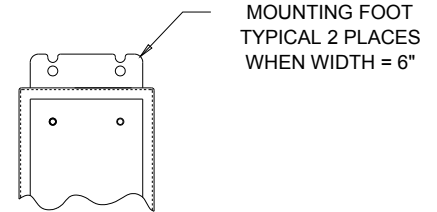
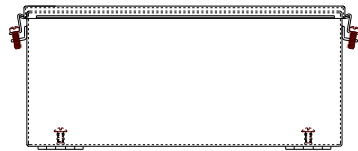
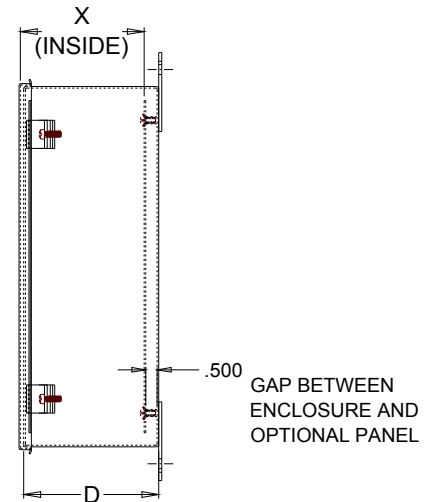
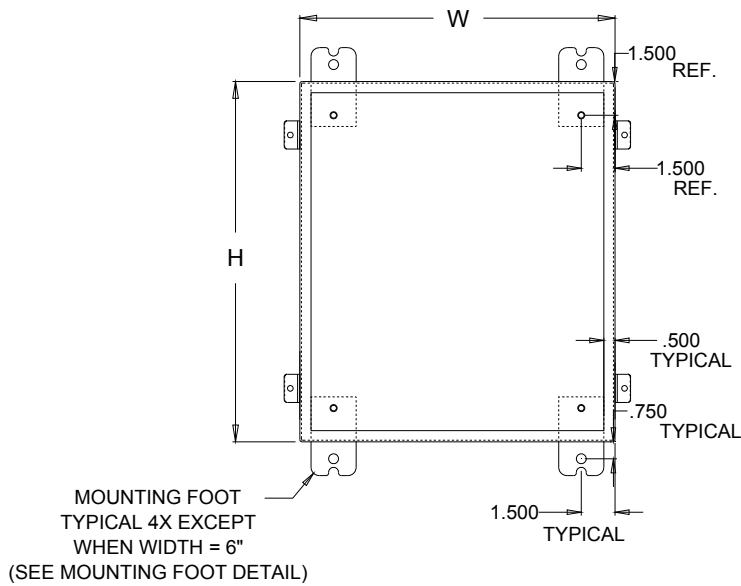


211 INDUSTRIAL COURT
WABASHA, MN 55981

Phone: (651) 565-3395
Fax: (651) 565-2787
E-mail: info@thomasindustriesinc.com
www.thomasindustriesinc.com

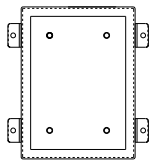
*DATA SUBJECT TO CHANGE WITHOUT NOTICE

TYPE 12 CLAMPED COVER ENCLOSURES

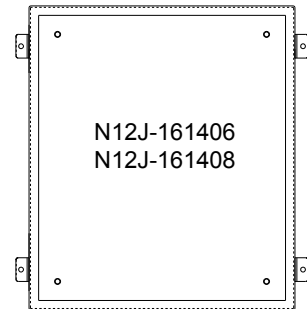
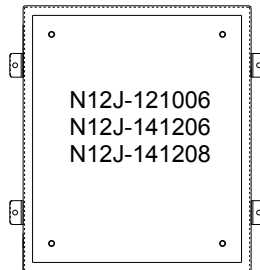
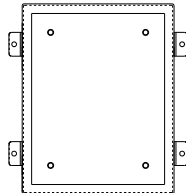


MOUNTING FOOT DETAIL

N12J-080604



N12J-100804



211 INDUSTRIAL COURT
 WABASHA, MN 55981

Phone: (651) 565-3395
 Fax: (651) 565-2787
 E-mail: info@thomasindustriesinc.com
www.thomasindustriesinc.com

TYPE 12 JIC CONTINUOUS HINGE ENCLOSURES



Industry Standards
UL 508A, Type 2, 12, 13
NEMA Type 2, 12, 13



UL File E235575

TYPE 12 ENCLOSURES

Application:

Designed to enclose electrical, electronic controls, instruments and components and provide protection from falling dirt, dust, oil and water.

Construction:

- Steel fabricated doors and enclosure.
- Smooth, continuously welded seams without knockouts, cutouts, or holes.
- Welded brackets provided for enclosure mounting.
- Doors secured with stainless steel continuous hinge and JIC style clamps.
- Doors sealed with closed cell, oil resistant gasket.
- Internal weld studs are provided for mounting optional inner panels.
- Grounding studs are provided.

Finish:

- ANSI 61 gray powder coating inside and out over phosphatized surfaces. Optional panels are powder coated white.

Accessories:

- Back Panels (see reference chart, pg. 6-1)

Options:

- Custom sizes and colors available. Please call for details.

Enclosure Catalog Number	Enclosure Size H x W x D	Body/Door Steel Gauge	X	Back Panel Catalog Number			Back Panel Size A x B	Back Panel Gauge
N12JCH-080604	8.00" x 6.00" x 4.12"	16/16	3.62"	PP-0806	P2-0806	PS-0806	6.750" x 4.875"	14
N12JCH-100804	10.00" x 8.00" x 4.12"	16/16	3.62"	PP-1008	P2-1008	PS-1008	8.750" x 6.875"	14
N12JCH-121006	12.00" x 10.00" x 6.12"	16/16	5.62"	PP-1210	P2-1210	PS-1210	10.750" x 8.875"	14
N12JCH-141206	14.00" x 12.00" x 6.12"	16/16	5.62"	PP-1412	P2-1412	PS-1412	12.750" x 10.875"	14
N12JCH-141208	14.00" x 12.00" x 8.12"	16/16	7.62"	PP-1412	P2-1412	PS-1412	12.750" x 10.875"	14
N12JCH-161406	16.00" x 14.00" x 6.12"	14/14	5.62"	PP-1614	P2-1614	PS-1614	14.750" x 12.875"	14
N12JCH-161408	16.00" x 14.00" x 8.12"	14/14	7.62"	PP-1614	P2-1614	PS-1614	14.750" x 12.875"	14

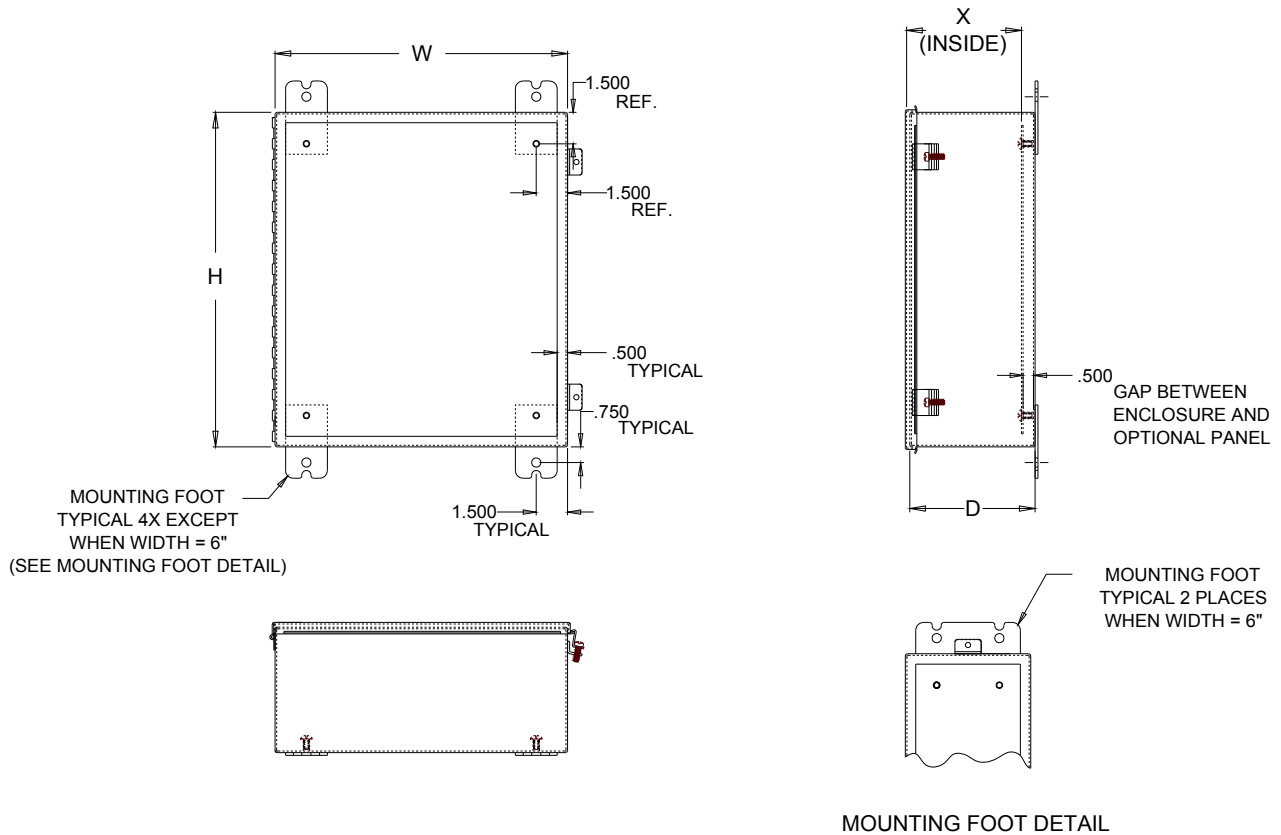


211 INDUSTRIAL COURT
WABASHA, MN 55981

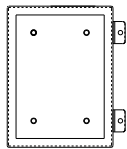
Phone: (651) 565-3395
Fax: (651) 565-2787
E-mail: info@thomasindustriesinc.com
www.thomasindustriesinc.com

*DATA SUBJECT TO CHANGE WITHOUT NOTICE

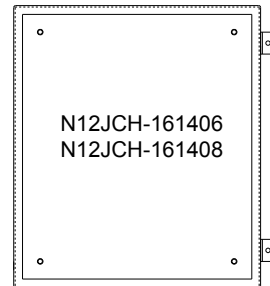
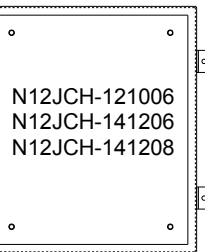
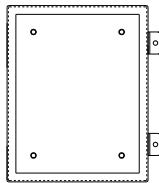
TYPE 12 JIC CONTINUOUS HINGE ENCLOSURES



N12JCH-080604



N12JCH-100804



211 INDUSTRIAL COURT
WABASHA, MN 55981

Phone: (651) 565-3395
Fax: (651) 565-2787
E-mail: info@thomasindustriesinc.com
www.thomasindustriesinc.com

TYPE 12 NEMA CLAMP ENCLOSURES

3-3



Industry Standards
UL 508A, Type 2, 12, 13
NEMA Type 2, 12, 13



UL File E235575

TYPE 12 ENCLOSURES

Application:

Designed to enclose electrical, electronic controls, instruments and components and provide protection from falling dirt, dust, oil and water.

Construction:

- Steel fabricated doors and enclosure.
- Smooth, continuously welded seams without knockouts, cutouts, or holes.
- Welded brackets provided for enclosure mounting.
- Continuous hinged door is removable by pulling hinge pin.
- Door is secured with NEMA style clamps.
- Provisions for padlocking.
- Door is sealed with closed cell, oil resistant gasket.
- Print pocket is provided.
- Collar studs are provided for mounting optional inner panels.
- Grounding studs are provided.

Finish:

- ANSI 61 gray powder coating inside and out over phosphatized surfaces. Optional panels are powder coated white.

Accessories:

- Back Panels (see reference chart, pg. 6-3)

Options:

- Custom sizes and colors available. Please call for details.

Enclosure Catalog Number	Enclosure Size H x W x D	X	Back Panel Catalog Number	Back Panel Size A x B
N12N-181606	18.00" x 16.00" x 6.00"	6.070"	PSN-1816	15.00" x 13.00"
N12N-202008	20.00" x 20.00" x 8.00"	8.070"	PSN-2020	17.00" x 17.00"
N12N-242006	24.00" x 20.00" x 6.00"	6.070"	PSN-2420	21.00" x 17.00"
N12N-242008	24.00" x 20.00" x 8.00"	8.070"	PSN-2420	21.00" x 17.00"
N12N-242406	24.00" x 24.00" x 6.00"	6.070"	PSN-2424	21.00" x 21.00"
N12N-242408	24.00" x 24.00" x 8.00"	8.070"	PSN-2424	21.00" x 21.00"
N12N-302410	30.00" x 24.00" x 10.00"	10.070"	PSN-3024	27.00" x 21.00"
N12N-362406	36.00" x 24.00" x 6.00"	6.070"	PSN-3624	33.00" x 21.00"
N12N-362408	36.00" x 24.00" x 8.00"	8.070"	PSN-3624	33.00" x 21.00"
N12N-363010	36.00" x 30.00" x 10.00"	10.070"	PSN-3630	33.00" x 27.00"
N12N-423610	42.00" x 36.00" x 10.00"	10.070"	PSN-4236	39.00" x 33.00"
N12N-483610	48.00" x 36.00" x 10.00"	10.070"	PSN-4836	45.00" x 33.00"

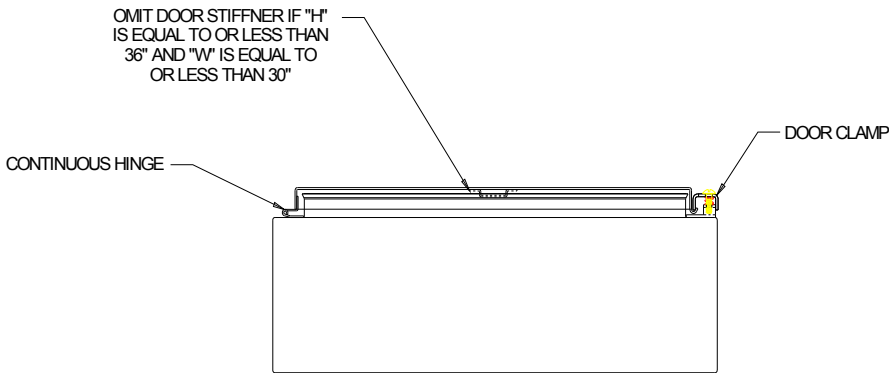
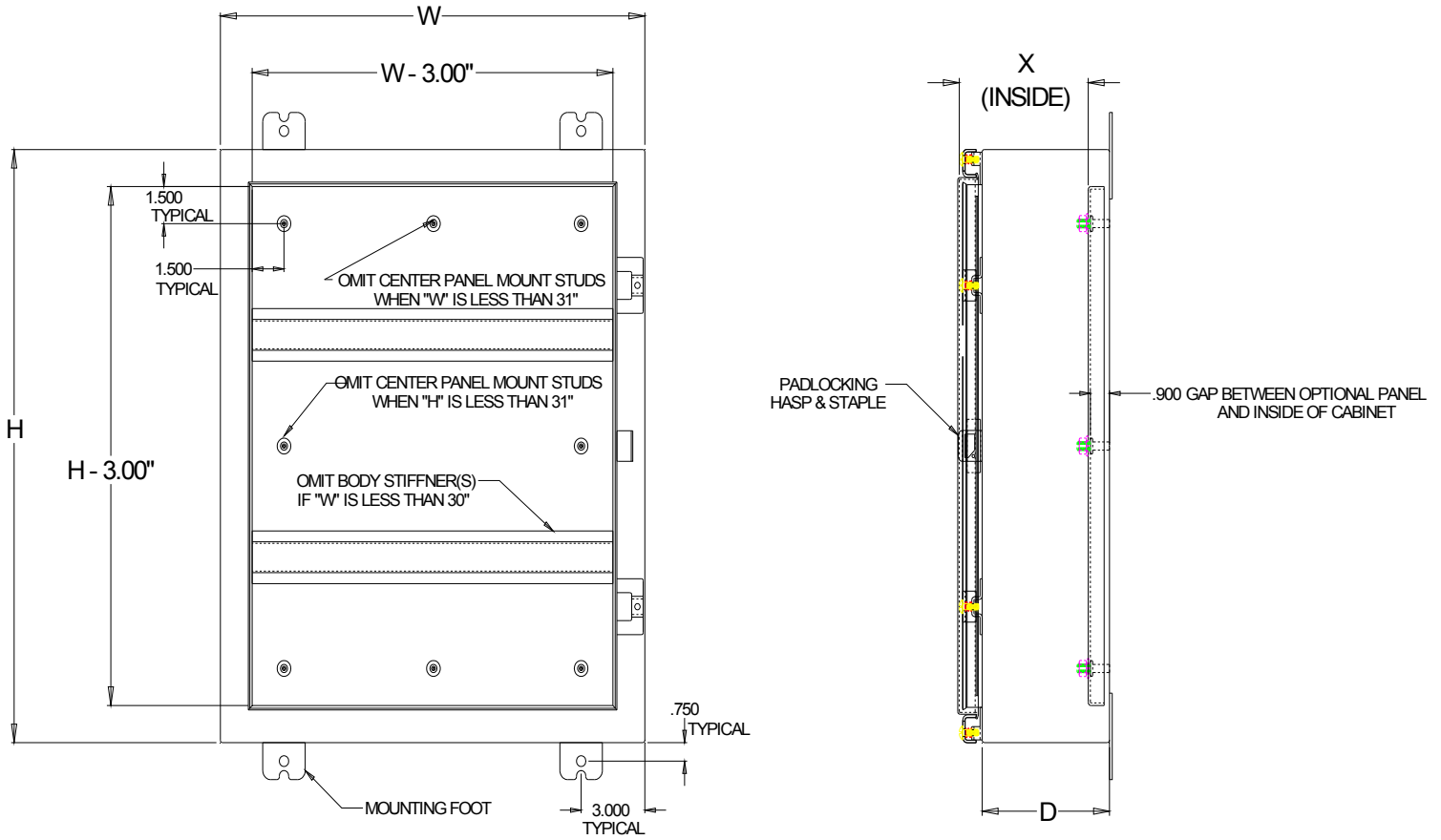


211 INDUSTRIAL COURT
WABASHA, MN 55981

*DATA SUBJECT TO CHANGE WITHOUT NOTICE

Phone: (651) 565-3395
 Fax: (651) 565-2787
 E-mail: info@thomasindustriesinc.com
www.thomasindustriesinc.com

TYPE 12 NEMA CLAMP ENCLOSURES



211 INDUSTRIAL COURT
WABASHA, MN 55981

Phone: (651) 565-3395
 Fax: (651) 565-2787
 E-mail: info@thomasindustriesinc.com
www.thomasindustriesinc.com

PUSHBUTTON ENCLOSURES



Industry Standards
 UL 508A, Type 2, 12, 13
 NEMA Type 2, 12, 13

Application:

Designed to hold 30.5mm or 22.5mm oil tight pushbuttons, pilot lights, and switches; while providing protection against dirt, dust, water, and oil.

Construction:

- Steel fabricated covers and enclosures.
- Smooth, continuously welded seams.
- Grounding provisions provided.
- Cover screws threaded into sealed wells.
- Covers sealed with closed cell, oil resistant gasket.
- 4-way pushbutton holes accept all brands of oil tight pushbuttons, pilot lights, and switches.

Finish:

- ANSI 61 gray powder coating inside and out over phosphatized surfaces.

Options:

- Custom sizes and colors available. Please call for details.

Enclosure Catalog Number	Enclosure Size H x W x D	Body/Door Steel Gauge	Number of Pushbuttons/Size	X	Y	Z
N121PB-22	4.00" x 4.00" x 4.75"	16/16	1/22.5 mm	4.625"	3.125"	4.500"
N121PB-30	4.00" x 4.00" x 4.75"	16/16	1/30.5 mm	4.625"	3.125"	4.500"
N122PB-22	6.00" x 4.00" x 4.75"	14/16	2/22.5 mm	4.600"	3.125"	6.500"
N122PB-30	6.00" x 4.00" x 4.75"	14/16	2/30.5 mm	4.600"	3.125"	6.500"
N123PB-22	8.00" x 4.00" x 4.75"	14/16	3/22.5 mm	4.600"	3.125"	8.500"
N123PB-30	8.00" x 4.00" x 4.75"	14/16	3/30.5 mm	4.600"	3.125"	8.500"
N124PB-22	10.00" x 4.00" x 4.75"	14/16	4/22.5 mm	4.600"	3.125"	10.500"
N124PB-30	10.00" x 4.00" x 4.75"	14/16	4/30.5 mm	4.600"	3.125"	10.500"

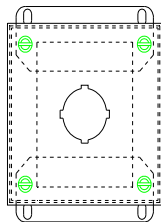
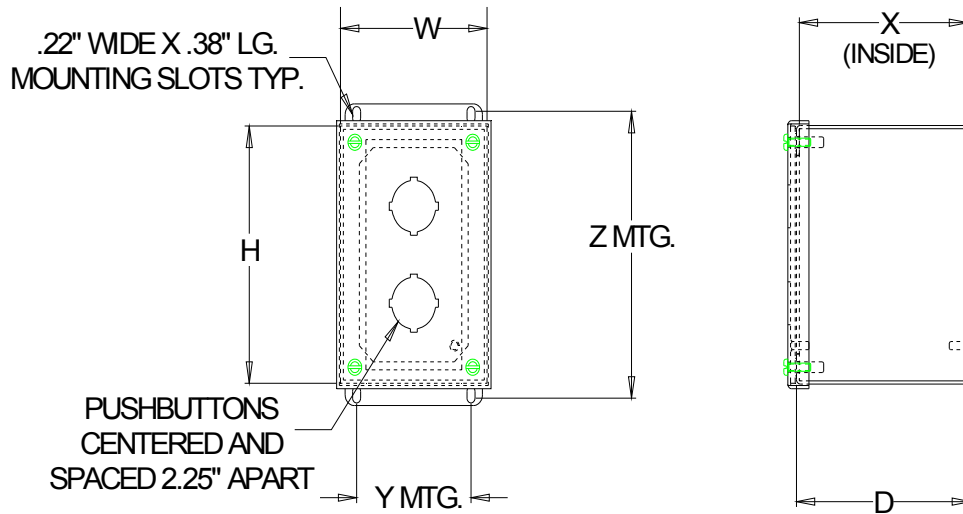


211 INDUSTRIAL COURT
 WABASHA, MN 55981

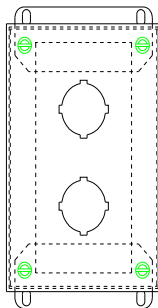
Phone: (651) 565-3395
 Fax: (651) 565-2787
 E-mail: info@thomasindustriesinc.com
www.thomasindustriesinc.com

*DATA SUBJECT TO CHANGE WITHOUT NOTICE

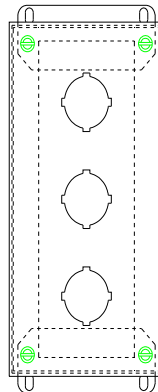
PUSHBUTTON ENCLOSURES



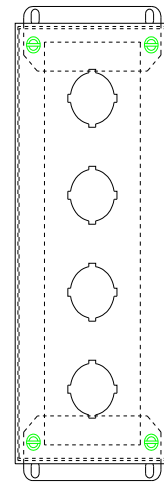
N121PB-30
N121PB-22



N122PB-30
N122PB-22



N123PB-30
N123PB-22



N124PB-30
N124PB-22



211 INDUSTRIAL COURT
WABASHA, MN 55981

Phone: (651) 565-3395
 Fax: (651) 565-2787
 E-mail: info@thomasindustriesinc.com
www.thomasindustriesinc.com

TYPE 12 SLOPED FRONT PUSHBUTTON ENCLOSURES



Industry Standards
 UL 508A, Type 2, 12, 13
 NEMA Type 2, 12, 13

Application:

Designed to hold 30.5mm or 22.5mm oil tight pushbuttons, pilot lights, and switches where a slanted control surface is desirable.

Construction:

- Steel fabricated covers and enclosures.
- Smooth, continuously welded seams.
- Grounding provisions provided.
- Cover screws threaded into sealed wells.
- Covers sealed with closed cell, oil resistant gasket.
- 4-way pushbutton holes accept all brands of oil tight pushbuttons, pilot lights, and switches.

Finish:

- ANSI 61 gray powder coating inside and out over phosphatized surfaces.

Options:

- Custom sizes and colors available. Please call for details.

Enclosure Catalog Number	Enclosure Size H x W x D	Body/Door Steel Gauge	Number of Pushbuttons/Size	Y	Z
N12SF1PB-22	4.00" x 4.00" x 5.00"	14/14	1/22.5 mm	4.000"	2.375"
N12SF1PB-30	4.00" x 4.00" x 5.00"	14/14	1/30.5 mm	4.000"	2.375"
N12SF2PB-22	6.00" x 4.00" x 5.00"	14/14	2/22.5 mm	4.000"	4.625"
N12SF2PB-30	6.00" x 4.00" x 5.00"	14/14	2/30.5 mm	4.000"	4.625"
N12SF3PB-22	8.00" x 4.00" x 5.00"	14/14	3/22.5 mm	4.000"	6.875"
N12SF3PB-30	8.00" x 4.00" x 5.00"	14/14	3/30.5 mm	4.000"	6.875"
N12SF4PB-22	10.00" x 4.00" x 5.00"	14/14	4/22.5 mm	4.000"	9.125"
N12SF4PB-30	10.00" x 4.00" x 5.00"	14/14	4/30.5 mm	4.000"	9.125"

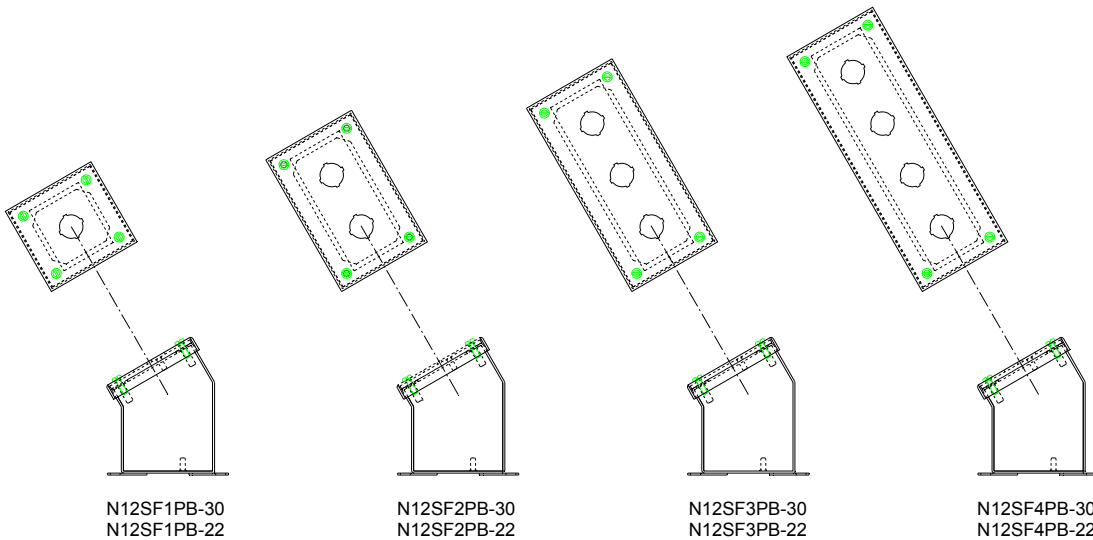
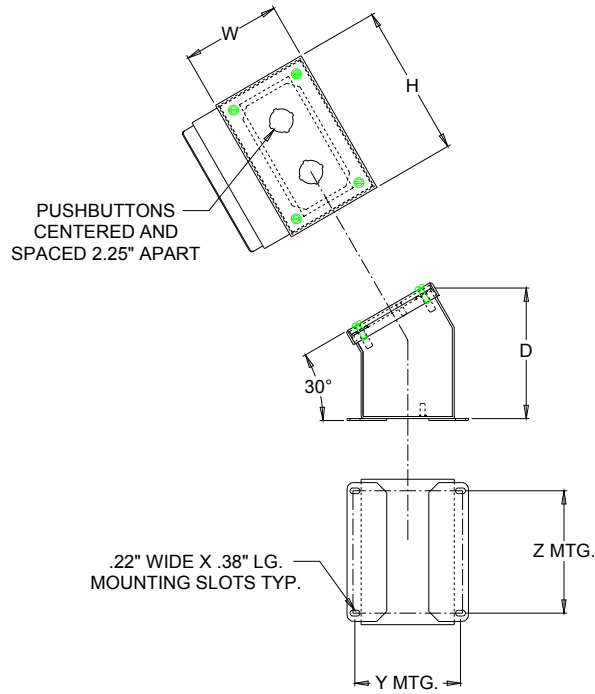


211 INDUSTRIAL COURT
 WABASHA, MN 55981

Phone: (651) 565-3395
 Fax: (651) 565-2787
 E-mail: info@thomasindustriesinc.com
www.thomasindustriesinc.com

*DATA SUBJECT TO CHANGE WITHOUT NOTICE

TYPE 12 SLOPED FRONT PUSHBUTTON ENCLOSURES



211 INDUSTRIAL COURT
WABASHA, MN 55981

Phone: (651) 565-3395
 Fax: (651) 565-2787
 E-mail: info@thomasindustriesinc.com
www.thomasindustriesinc.com

*DATA SUBJECT TO CHANGE WITHOUT NOTICE

TYPE 4 JIC CLAMPED COVER ENCLOSURES

4-1



Industry Standards
UL 508A, Type 4, 12, 13
NEMA Type 4, 12, 13



UL File E235575

TYPE 4 ENCLOSURES

Application:

Designed to enclose electrical, electronic controls, instruments and components. Provides protection in areas that are hosed down or very wet.

Construction:

- Steel fabricated covers and enclosures.
- Smooth, continuously welded seams without knockouts, cutouts, or holes.
- Welded brackets provided for enclosure mounting.
- Cover is secured with stainless steel clamps.
- Doors sealed with closed cell, oil resistant gasket.
- Internal weld studs are provided for mounting optional inner panels.
- Grounding studs are provided.

Finish:

- ANSI 61 gray powder coating inside and out over phosphatized surfaces. Optional panels are powder coated white.

Accessories:

- Back panels (see reference chart, pg. 6-1).

Options:

- Custom sizes and colors available. Please call for details.

Enclosure Catalog Number	Enclosure Size H x W x D	Body/Door Steel Gauge	X	Back Panel Catalog Number			Back Panel Size A x B	Back Panel Gauge
				PP-0806	P2-0806	PS-0806		
N4J-080604	8.00" x 6.00" x 4.12"	16/16	3.62"	PP-0806	P2-0806	PS-0806	6.750" x 4.875"	14
N4J-100804	10.00" x 8.00" x 4.12"	16/16	3.62"	PP-1008	P2-1008	PS-1008	8.750" x 6.875"	14
N4J-121006	12.00" x 10.00" x 6.12"	16/16	5.62"	PP-1210	P2-1210	PS-1210	10.750" x 8.875"	14
N4J-141206	14.00" x 12.00" x 6.12"	16/16	5.62"	PP-1412	P2-1412	PS-1412	12.750" x 10.875"	14
N4J-141208	14.00" x 12.00" x 8.12"	16/16	7.62"	PP-1412	P2-1412	PS-1412	12.750" x 10.875"	14
N4J-161406	16.00" x 14.00" x 6.12"	14/14	5.62"	PP-1614	P2-1614	PS-1614	14.750" x 12.875"	14
N4J-161408	16.00" x 14.00" x 8.12"	14/14	7.62"	PP-1614	P2-1614	PS-1614	14.750" x 12.875"	14

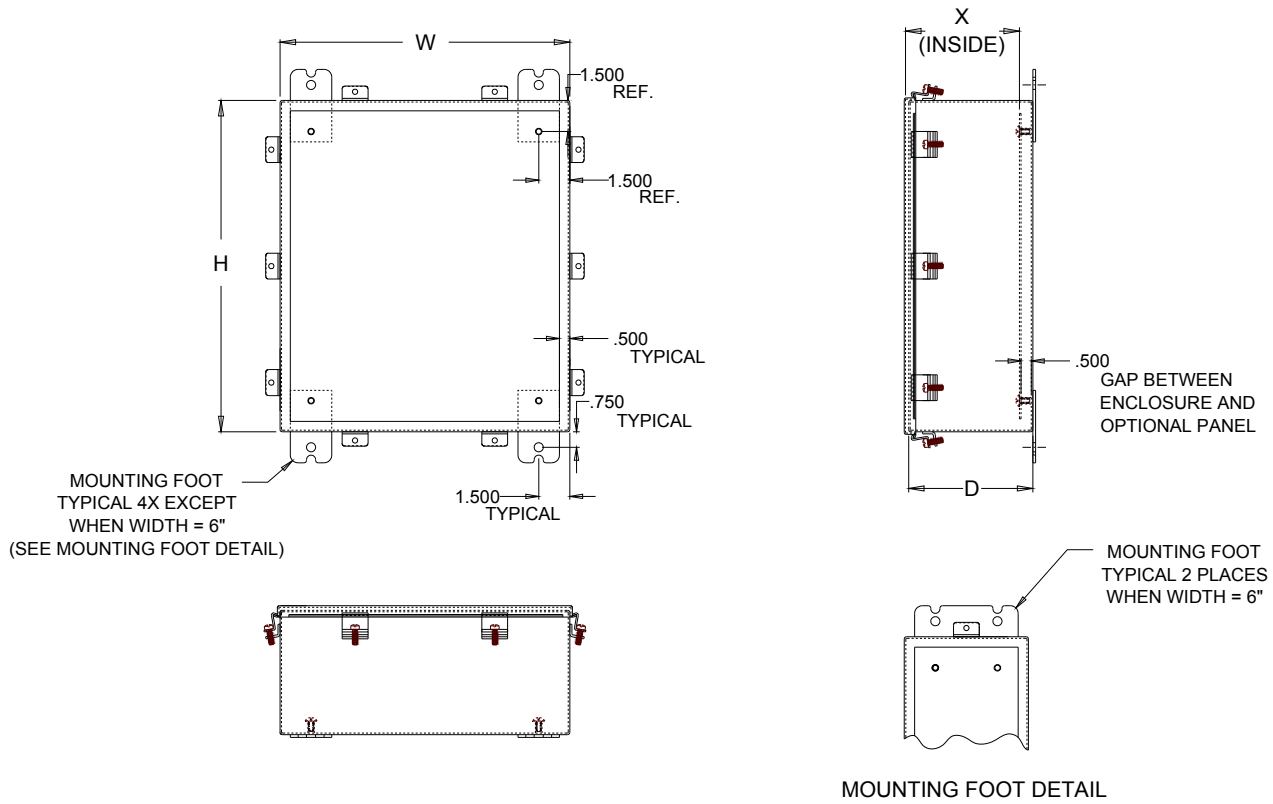


211 INDUSTRIAL COURT
WABASHA, MN 55981

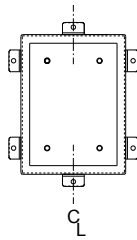
Phone: (651) 565-3395
Fax: (651) 565-2787
E-mail: info@thomasindustriesinc.com
www.thomasindustriesinc.com

*DATA SUBJECT TO CHANGE WITHOUT NOTICE

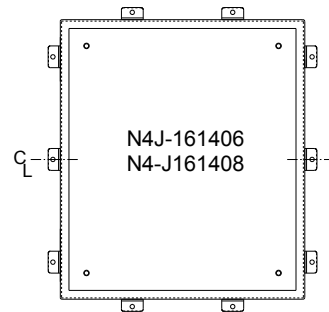
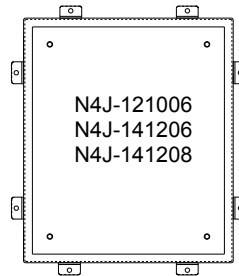
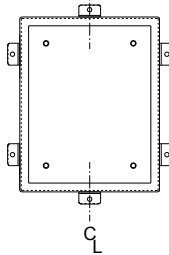
TYPE 4 JIC CLAMPED COVER ENCLOSURES



N4J-080604



N4J-100804



211 INDUSTRIAL COURT
WABASHA, MN 55981

Phone: (651) 565-3395
Fax: (651) 565-2787
E-mail: info@thomasindustriesinc.com
www.thomasindustriesinc.com

*DATA SUBJECT TO CHANGE WITHOUT NOTICE

TYPE 4 JIC CONTINUOUS HINGE ENCLOSURES



Industry Standards
UL 508A, Type 4, 12, 13
NEMA Type 4, 12, 13



UL File E235575

TYPE 4 ENCLOSURES

Application:

Designed to enclose electrical, electronic controls, instruments and components. Provides protection in areas that are hosed down or very wet.

Construction:

- Steel fabricated doors and enclosures.
- Smooth, continuously welded seams without knockouts, cutouts, or holes.
- Welded brackets provided for enclosure mounting.
- Doors secured with stainless steel continuous hinge and JIC style clamps.
- Doors sealed with closed cell, oil resistant gasket.
- Internal weld studs are provided for mounting optional inner panels.

Finish:

- ANSI 61 gray powder coating inside and out over phosphatized surfaces. Optional panels are powder coated white.

Accessories:

- Back Panels (see reference chart, pg. 6-1).

Options:

- Custom sizes and colors available. Please call for details.

Enclosure Catalog Number	Enclosure Size H x W x D	Body/Door Steel Gauge	X	Back Panel Catalog Number			Back Panel Size A x B	Back Panel Gauge
				PP-0806	P2-0806	PS-0806		
N4JCH-080604	8.00" x 6.00" x 4.12"	16/16	3.62"	PP-0806	P2-0806	PS-0806	6.750" x 4.875"	14
N4JCH-100804	10.00" x 8.00" x 4.12"	16/16	3.62"	PP-1008	P2-1008	PS-1008	8.750" x 6.875"	14
N4JCH-121006	12.00" x 10.00" x 6.12"	16/16	5.62"	PP-1210	P2-1210	PS-1210	10.750" x 8.875"	14
N4JCH-141206	14.00" x 12.00" x 6.12"	16/16	5.62"	PP-1412	P2-1412	PS-1412	12.750" x 10.875"	14
N4JCH-141208	14.00" x 12.00" x 8.12"	16/16	7.62"	PP-1412	P2-1412	PS-1412	12.750" x 10.875"	14
N4JCH-161406	16.00" x 14.00" x 6.12"	14/14	5.62"	PP-1614	P2-1614	PS-1614	14.750" x 12.875"	14
N4JCH-161408	16.00" x 14.00" x 8.12"	14/14	7.62"	PP-1614	P2-1614	PS-1614	14.750" x 12.875"	14

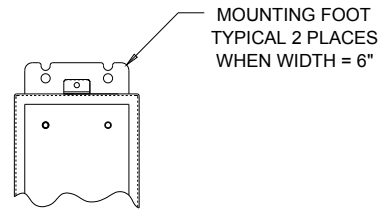
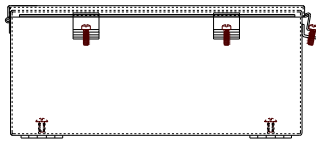
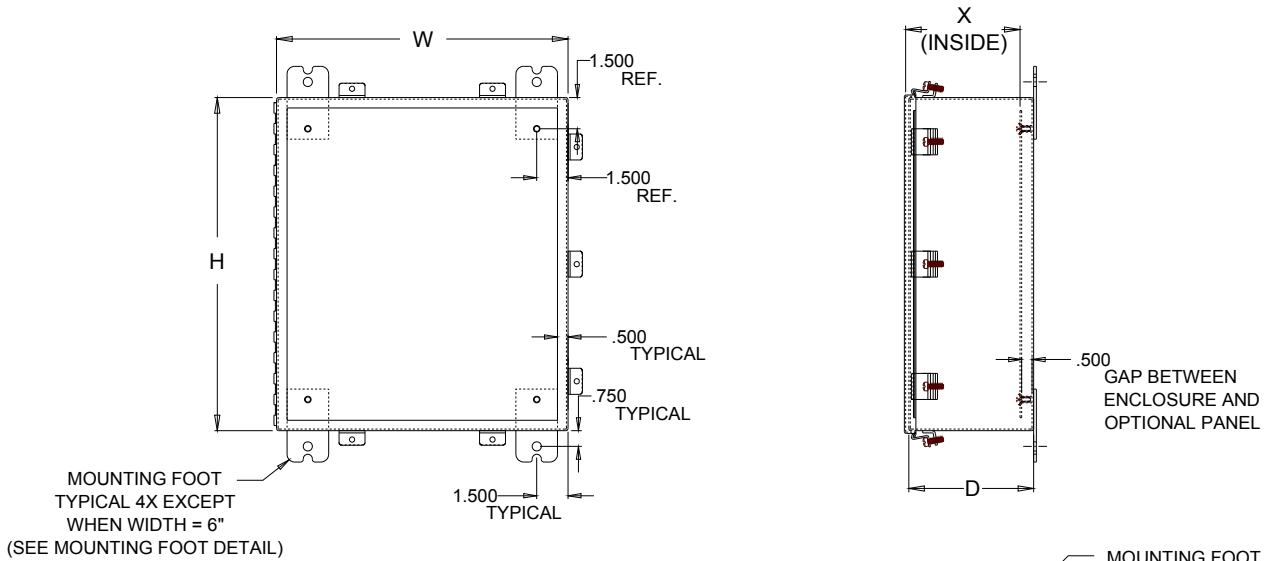


211 INDUSTRIAL COURT
WABASHA, MN 55981

Phone: (651) 565-3395
Fax: (651) 565-2787
E-mail: info@thomasindustriesinc.com
www.thomasindustriesinc.com

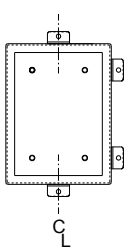
*DATA SUBJECT TO CHANGE WITHOUT NOTICE

TYPE 4 JIC CONTINUOUS HINGE ENCLOSURES

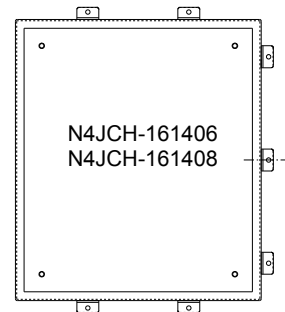
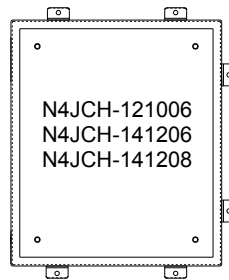
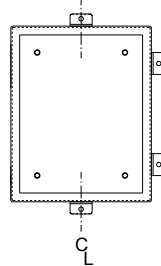


MOUNTING FOOT DETAIL

N4JCH-080604



N4JCH-100804



211 INDUSTRIAL COURT
WABASHA, MN 55981

Phone: (651) 565-3395
Fax: (651) 565-2787
E-mail: info@thomasindustriesinc.com
www.thomasindustriesinc.com

TYPE 4 NEMA CLAMP ENCLOSURES



Industry Standards
UL 508A, Type 4, 12, 13
NEMA Type 4, 12, 13



UL File E235575

TYPE 4 ENCLOSURES

Application:

Designed to enclose electrical, electronic controls, instruments and components. Provides protection in areas that are hosed down or very wet.

Construction:

- Steel fabricated doors and enclosures.
- Smooth, continuously welded seams without knockout, cutouts, or holes.
- Welded brackets provided for enclosure mounting.
- Stainless steel continuous hinged door is removable by pulling hinge pin.
- Door is secured with stainless steel NEMA style clamps.
- Provisions for padlocking.
- Door is sealed with closed cell, oil resistant gasket.
- Print pocket is provided.
- Collar studs are provided for mounting optional inner panels.

Finish:

- ANSI 61 gray powder coating inside and out over phosphatized surfaces. Optional panels are powder coated white.

Accessories:

- Back Panels (see reference chart, pg. 6-3).

Options:

- Custom sizes and colors available. Please call for details.

Enclosure Catalog Number	Enclosure Size H x W x D	X	Back Panel Catalog Number	Back Panel Size A x B
N4N-181606	18.00" x 16.00" x 6.00"	6.070"	PSN-1816	15.00" x 13.00"
N4N-202008	20.00" x 20.00" x 8.00"	8.070"	PSN-2020	17.00" x 17.00"
N4N-242006	24.00" x 20.00" x 6.00"	6.070"	PSN-2420	21.00" x 17.00"
N4N-242008	24.00" x 20.00" x 8.00"	8.070"	PSN-2420	21.00" x 17.00"
N4N-242406	24.00" x 24.00" x 6.00"	6.070"	PSN-2424	21.00" x 21.00"
N4N-242408	24.00" x 24.00" x 8.00"	8.070"	PSN-2424	21.00" x 21.00"
N4N-302410	30.00" x 24.00" x 10.00"	10.070"	PSN-3024	27.00" x 21.00"
N4N-362406	36.00" x 24.00" x 6.00"	6.070"	PSN-3624	33.00" x 21.00"
N4N-362408	36.00" x 24.00" x 8.00"	8.070"	PSN-3624	33.00" x 21.00"
N4N-363010	36.00" x 30.00" x 10.00"	10.070"	PSN-3630	33.00" x 27.00"
N4N-423610	42.00" x 36.00" x 10.00"	10.070"	PSN-4236	39.00" x 33.00"
N4N-483610	48.00" x 36.00" x 10.00"	10.070"	PSN-4836	45.00" x 33.00"

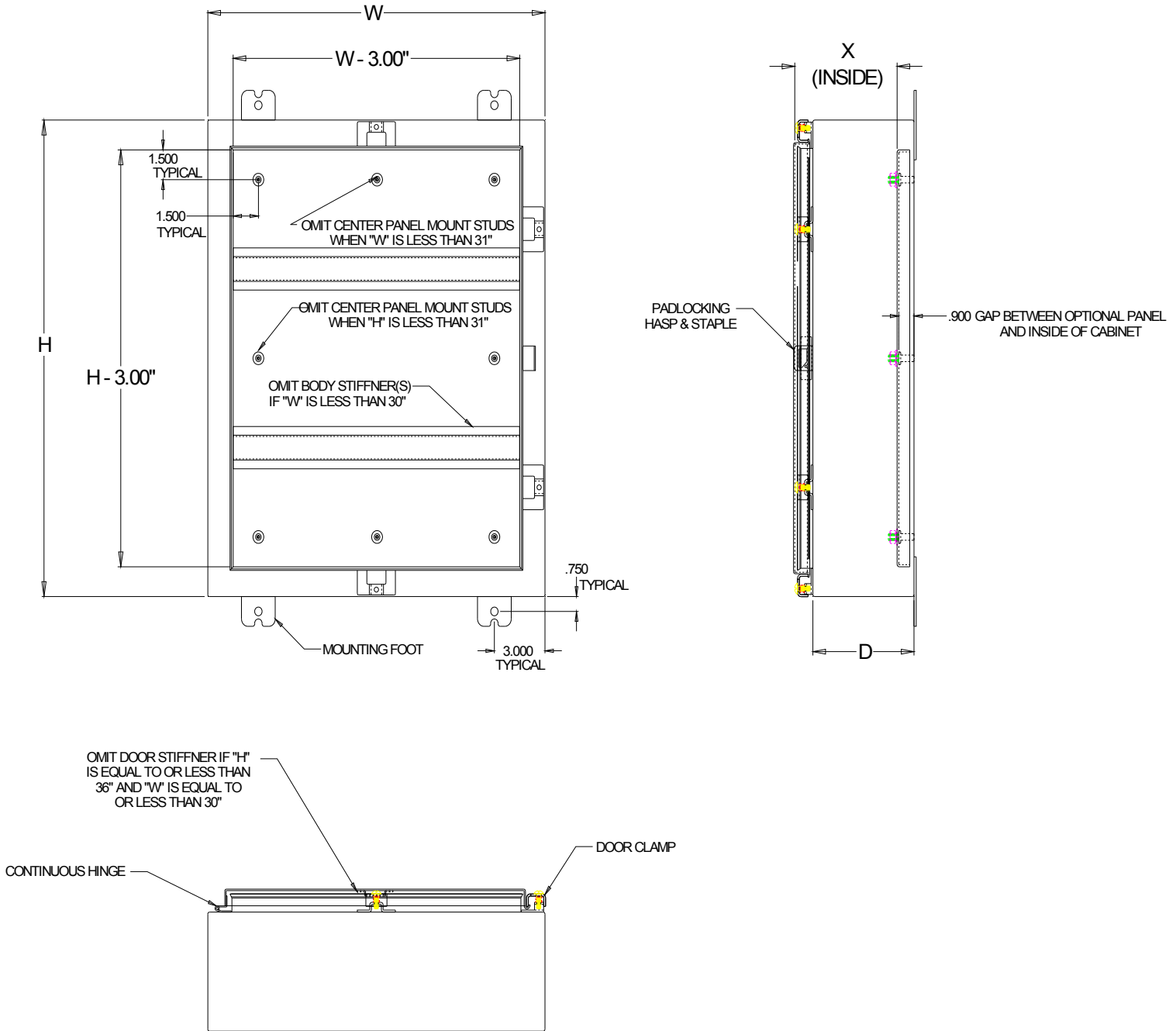


211 INDUSTRIAL COURT
WABASHA, MN 55981

Phone: (651) 565-3395
Fax: (651) 565-2787
E-mail: info@thomasindustriesinc.com
www.thomasindustriesinc.com

*DATA SUBJECT TO CHANGE WITHOUT NOTICE

TYPE 4 NEMA CLAMP ENCLOSURES

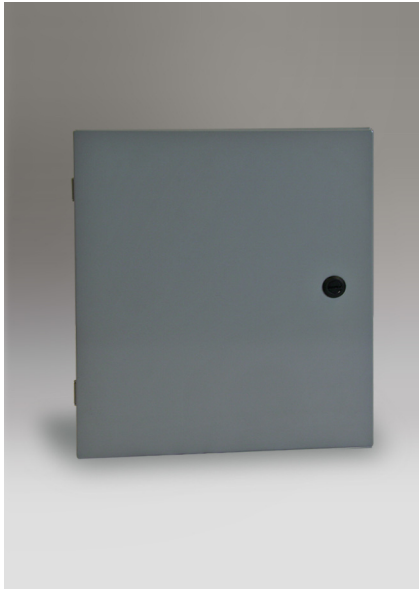


211 INDUSTRIAL COURT
WABASHA, MN 55981

Phone: (651) 565-3395
 Fax: (651) 565-2787
 E-mail: info@thomasindustriesinc.com
www.thomasindustriesinc.com

TYPE 4 MINI FLUSH DOOR ENCLOSURES

4-4



Industry Standards
UL 508A, Type 4, 12, 13
NEMA Type 4, 12, 13



UL File E235575

TYPE 4 ENCLOSURES

Application:

Designed to enclose electrical or electronic equipment in harsh, dirty environments. Provides protection in areas where dust, dirt, oil, water or other contaminants are a concern. Impressive styling makes the enclosure a suitable addition to any high-tech equipment installation.

Construction:

- Steel fabricated doors and enclosures.
- Smooth, continuously welded seams without knockouts, cutouts, or holes.
- Formed lip on enclosure to keep out liquids and contaminants.
- Door is secured with ¼ turn slotted latch.
- Door is sealed with closed cell, oil resistant gasket.
- Mounting holes in back of body for direct mounting or mounting of optional wall-mounting bracket kit.
- Collar studs are provided for mounting optional inner panels.
- Grounding provisions are provided.

Finish:

- ANSI 61 gray powder coating inside and out over phosphatized surfaces. Optional panels are powder coated white.

Accessories:

- Back panels (see reference chart, pg. 6-4).
- Wall-mounting bracket kit (see reference chart, pg. 7-3).
- Print pockets for enclosures 12" x 12" and larger (see reference chart, pg. 7-2).

Options:

- Custom sizes and colors available. Please call for details.

Enclosure Catalog Number	Enclosure Size H x W x D	Body/Door Steel Gauge	X	Back Panel Catalog Number	Back Panel Size A x B	Back Panel Gauge
N4MFD-060604	6.00" x 6.00" x 4.00"	16/16	3.65"	PSMFD-0606	4.75" x 4.75"	14
N4MFD-100804	10.00" x 8.00" x 4.00"	16/16	3.65"	PSMFD-1008	8.75" x 6.75"	14
N4MFD-100806	10.00" x 8.00" x 6.00"	16/16	5.65"	PSMFD-1008	8.75" x 6.75"	14
N4MFD-121206	12.00" x 12.00" x 6.00"	16/16	5.65"	PSMFD-1212	10.75" x 10.75"	14
N4MFD-141206	14.00" x 12.00" x 6.00"	16/16	5.65"	PSMFD-1412	12.75" x 10.75"	14
N4MFD-141208	14.00" x 12.00" x 8.00"	16/16	7.65"	PSMFD-1412	12.75" x 10.75"	14
N4MFD-161408	16.00" x 14.00" x 8.00"	16/16	7.65"	PSMFD-1614	14.75" x 12.75"	14
N4MFD-161410	16.00" x 14.00" x 10.00"	16/16	9.65"	PSMFD-1614	14.75" x 12.75"	14

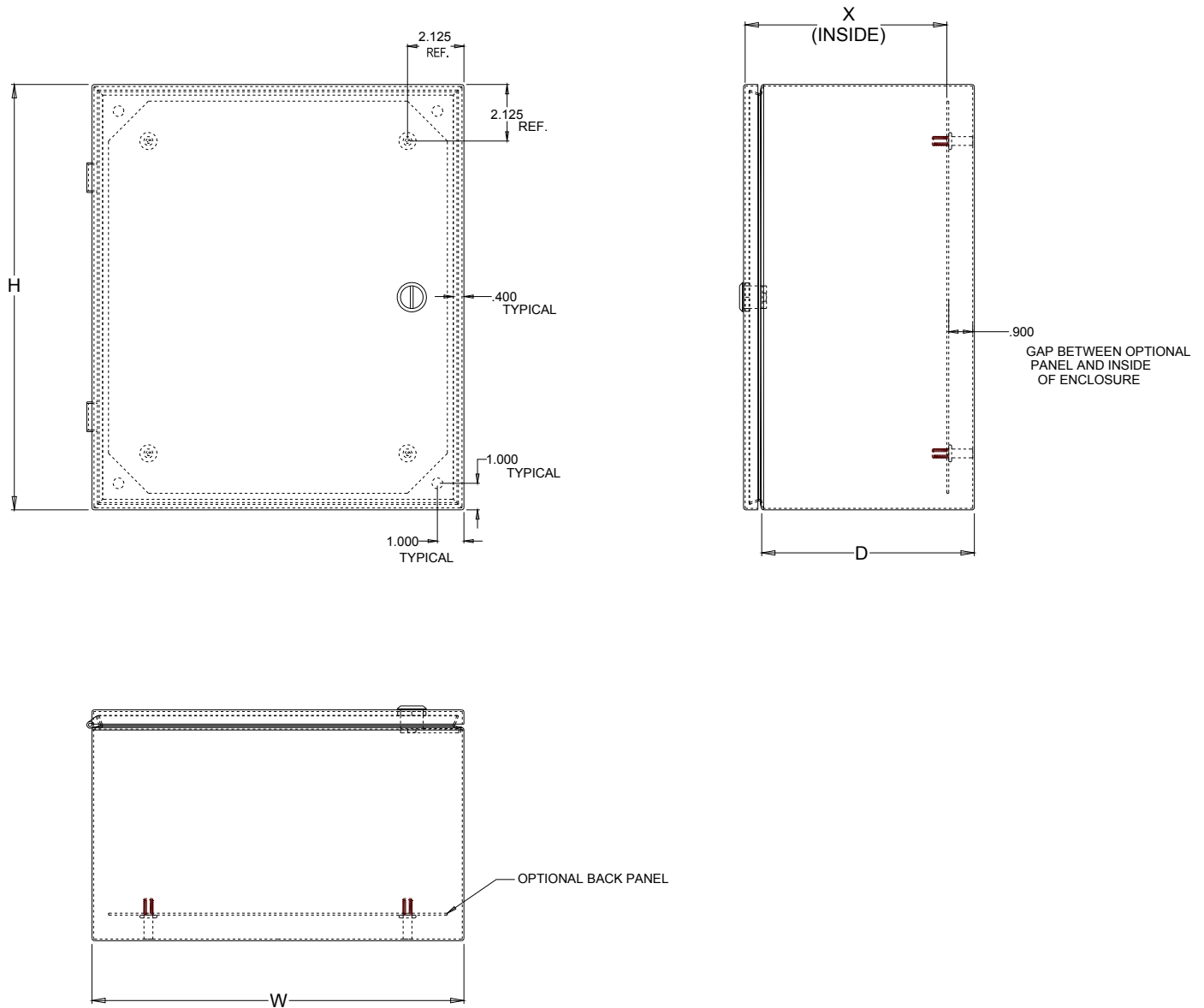


211 INDUSTRIAL COURT
WABASHA, MN 55981

Phone: (651) 565-3395
Fax: (651) 565-2787
E-mail: info@thomasindustriesinc.com
www.thomasindustriesinc.com

*DATA SUBJECT TO CHANGE WITHOUT NOTICE

TYPE 4 MINI FLUSH DOOR ENCLOSURES



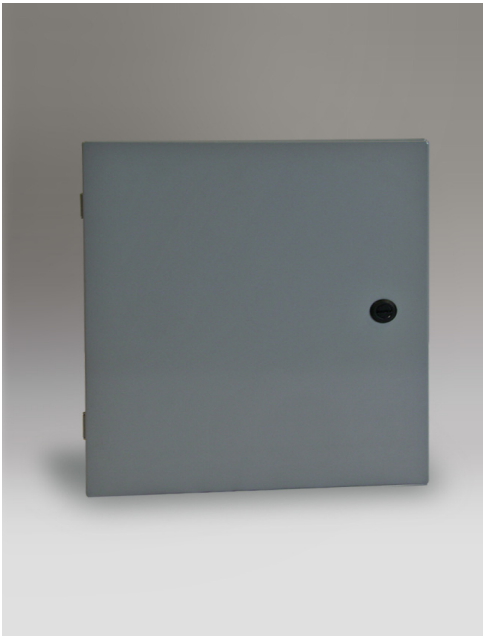
211 INDUSTRIAL COURT
WABASHA, MN 55981

Phone: (651) 565-3395
Fax: (651) 565-2787
E-mail: info@thomasindustriesinc.com
www.thomasindustriesinc.com

*DATA SUBJECT TO CHANGE WITHOUT NOTICE

TYPE 4 FLUSH DOOR ENCLOSURES

4-5



Industry Standards
UL 508A, Type 4, 12, 13
NEMA Type 4, 12, 13



UL File E235575

TYPE 4 ENCLOSURES

Application:

Designed to enclose electrical or electronic equipment in harsh, dirty environments. Provides protection in areas where dust, dirt, oil, water or other contaminants are a concern. Impressive styling makes the enclosure a suitable addition to any high-tech equipment installation.

Construction:

- Steel fabricated doors and enclosures.
- Smooth, continuously welded seams without knockouts, cutouts, or holes.
- Formed lip on enclosure to keep out liquids and contaminants.
- Door is secured with ¼ turn slotted latch.
- Door is sealed with closed cell, oil resistant gasket.
- Hidden hinges for clean, aesthetic appearance.
- Stainless steel hinge pins.
- Mounting holes in back of body for direct mounting or mounting of optional wall-mounting bracket kit.
- Collar studs are provided for mounting optional inner panels.
- Grounding provisions are provided.

Finish:

- ANSI 61 gray powder coating inside and out over phosphatized surfaces. Optional panels are powder coated white.

Accessories:

- Back panels (see reference chart, pg. 6-4).
- Wall-mounting bracket kit (see reference chart, pg. 7-3).
- Print pockets (see reference chart, pg. 7-2).

Options:

- Custom sizes and colors available. Please call for details.



211 INDUSTRIAL COURT
WABASHA, MN 55981

Phone: (651) 565-3395
Fax: (651) 565-2787
E-mail: info@thomasindustriesinc.com
www.thomasindustriesinc.com

*DATA SUBJECT TO CHANGE WITHOUT NOTICE

TYPE 4 FLUSH DOOR ENCLOSURES

Enclosure Catalog Number	Enclosure Size H x W x D	Body/Door Steel Gauge	X	Qtr.Turn Latch Qty.	3 Pt. Latch Qty.	Back Panel Catalog Number	Back Panel Size A x B	Back Panel Gauge
N4FD-121206	12.00" x 12.00" x 6.00"	16/16	6.075"	1		PSFD-1212	9.45" x 9.45"	14
N4FD-161206	16.00" x 12.00" x 6.00"	16/16	6.075"	1		PSFD-1612	13.45" x 9.45"	14
N4FD-161208	16.00" x 12.00" x 8.00"	16/16	8.075"	1		PSFD-1612	13.45" x 9.45"	14
N4FD-161606	16.00" x 16.00" x 6.00"	16/16	6.075"	1		PSFD-1616	13.45" x 13.45"	12
N4FD-161608	16.00" x 16.00" x 8.00"	16/16	8.075"	1		PSFD-1616	13.45" x 13.45"	12
N4FD-162006	16.00" x 20.00" x 6.00"	16/16	6.075"	3		PSN-2016	17.00" x 13.00"	12
N4FD-162008	16.00" x 20.00" x 8.00"	16/16	8.075"	3		PSN-2016	17.00" x 13.00"	12
N4FD-201608	20.00" x 16.00" x 8.00"	16/16	8.075"	1		PSN-2016	17.00" x 13.00"	12
N4FD-202008	20.00" x 20.00" x 8.00"	16/16	8.075"	3		PSN-2020	17.00" x 17.00"	12
N4FD-202012	20.00" x 20.00" x 12.00"	16/16	12.075"	3		PSN-2020	17.00" x 17.00"	12
N4FD-202408	20.00" x 24.00" x 8.00"	16/16	8.075"	3		PSN-2420	21.00" x 17.00"	12
N4FD-242008	24.00" x 20.00" x 8.00"	16/16	8.075"	4		PSN-2420	21.00" x 17.00"	12
N4FD-242012	24.00" x 20.00" x 12.00"	16/16	12.075"	4		PSN-2420	21.00" x 17.00"	12
N4FD-242408	24.00" x 24.00" x 8.00"	16/14	8.075"	4		PSN-2424	21.00" x 21.00"	12
N4FD-242412	24.00" x 24.00" x 12.00"	16/14	12.075"	4		PSN-2424	21.00" x 21.00"	12
N4FD-243008	24.00" x 30.00" x 8.00"	16/14	8.075"	4		PSN-3024	27.00" x 21.00"	12
N4FD-302408	30.00" x 24.00" x 8.00"	16/14	8.075"	4		PSN-3024	27.00" x 21.00"	12
N4FD-302410	30.00" x 24.00" x 10.00"	16/14	10.075"	4		PSN-3024	27.00" x 21.00"	12
N4FD-302412	30.00" x 24.00" x 12.00"	16/14	12.075"	4		PSN-3024	27.00" x 21.00"	12
N4FD-362412	36.00" x 24.00" x 12.00"	16/14	12.075"	4		PSN-3624	33.00" x 21.00"	12
N4FD-363010	36.00" x 30.00" x 10.00"	14/14	10.075"	4		PSN-3630	33.00" x 27.00"	12
N4FD-363012	36.00" x 30.00" x 12.00"	14/14	12.075"	4		PSN-3630	33.00" x 27.00"	12
N4FD-423612	42.00" x 36.00" x 12.00"	14/14	12.075"	2	1	PSN-4236	39.00" x 33.00"	12
N4FD-483612	48.00" x 36.00" x 12.00"	14/14	12.075"	2	1	PSN-4836	45.00" x 33.00"	12
N4FD-483616	48.00" x 36.00" x 16.00"	14/14	16.075"	2	1	PSN-4836	45.00" x 33.00"	12
N4FD-603612	60.00" x 36.00" x 12.00"	14/14	12.075"	2	1	PSN-6036	57.00" x 33.00"	12
N4FD-603616	60.00" x 36.00" x 16.00"	14/14	16.075"	2	1	PSN-6036	57.00" x 33.00"	12

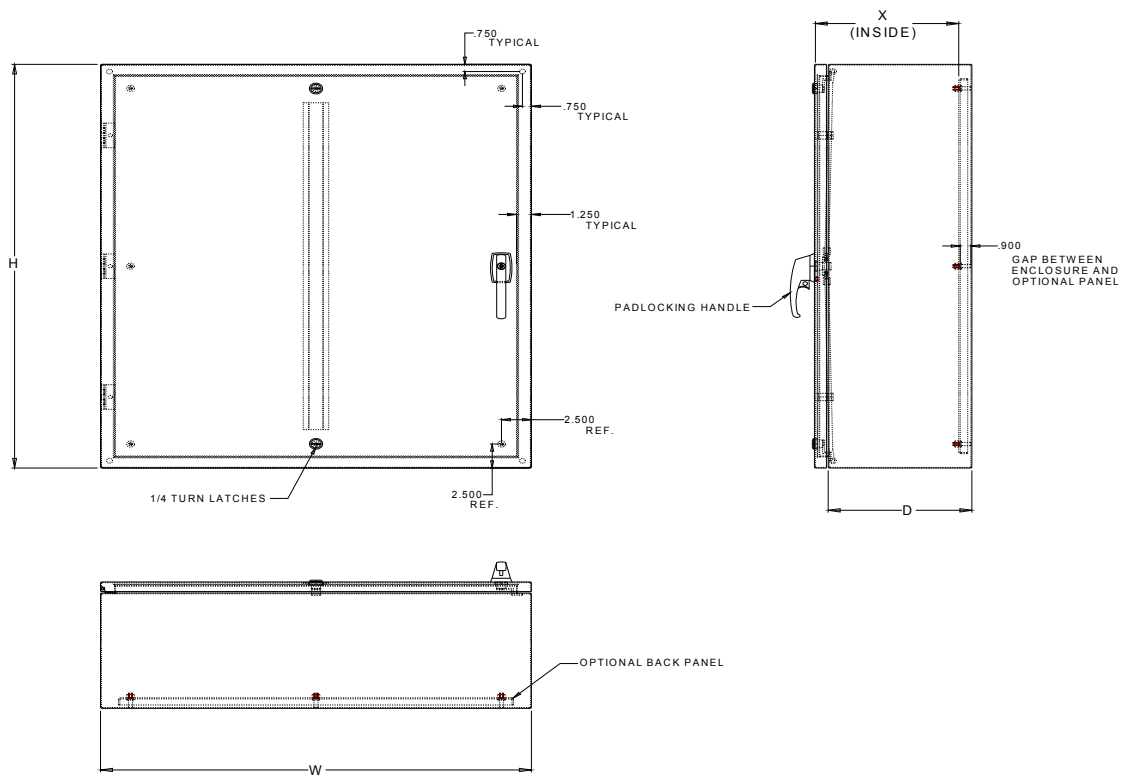
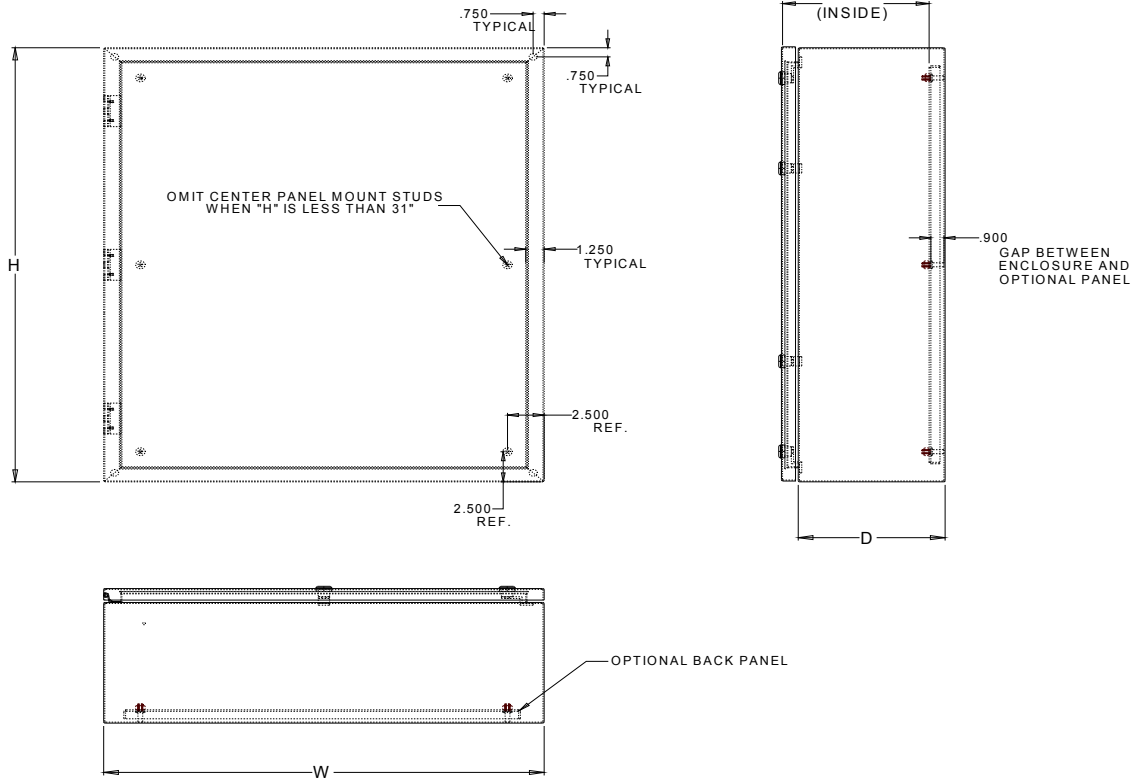


211 INDUSTRIAL COURT
WABASHA, MN 55981

Phone: (651) 565-3395
Fax: (651) 565-2787
E-mail: info@thomasindustriesinc.com
www.thomasindustriesinc.com

*DATA SUBJECT TO CHANGE WITHOUT NOTICE

TYPE 4 FLUSH DOOR ENCLOSURES



211 INDUSTRIAL COURT
WABASHA, MN 55981

Phone: (651) 565-3395
Fax: (651) 565-2787
E-mail: info@thomasindustriesinc.com
www.thomasindustriesinc.com

*DATA SUBJECT TO CHANGE WITHOUT NOTICE



**Remember Thomas
Industries for all of
your custom enclosure
needs!**

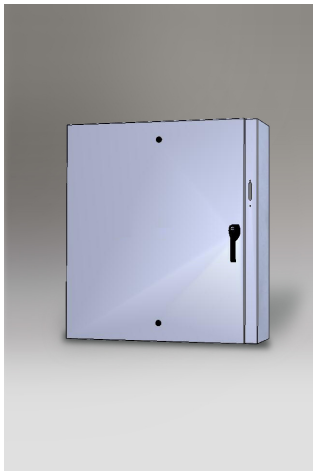


211 INDUSTRIAL COURT
WABASHA, MN 55981

*DATA SUBJECT TO CHANGE WITHOUT NOTICE

Phone: (651) 565-3395
Fax: (651) 565-2787
E-mail: info@thomasindustriesinc.com
www.thomasindustriesinc.com

TYPE 4 FLUSH DOOR DISCONNECT ENCLOSURES



Industry Standards
UL 508A, Type 4, 12, 13
NEMA Type 4, 12, 13



UL File E235575

TYPE 4 ENCLOSURES

Application:

Designed to house most standard type disconnects. Disconnect switch (or circuit breaker) and operating mechanism are not furnished with enclosure. See detailed drawing for additional information in regards to supplied cutouts.

Construction:

- Steel fabricated doors and enclosures.
- Smooth, continuously welded seams without knockouts, cutouts, or holes.
- Formed lip on enclosure to keep out liquids and contaminants.
- Door is secured with ¼ turn slotted latches and 3-point latching system.
- Door is sealed with closed cell, oil resistant gasket.
- Hidden hinges for clean, aesthetic appearance.
- Stainless steel hinge pins.
- Mounting holes in back of body for direct mounting or mounting of optional wall-mounting bracket kit.
- Collar studs are provided for mounting optional inner panels.
- Grounding provisions are provided.
- Print pocket is provided.

Finish:

- ANSI 61 gray powder coating inside and out over phosphatized surfaces. Optional panels are powder coated white.

Accessories:

- Back panels (see reference chart, pg. 6-3).
- Wall-mounting bracket kit (see reference chart, pg. 7-3).

Options:

- Custom sizes and colors available. Please call for details.

Enclosure Catalog Number	Enclosure Size H x W x D	Body/Door Steel Gauge	X	Qtr.Turn Latch Qty.	3 Pt. Latch Qty.	Back Panel Catalog Number	Back Panel Size A x B	Back Panel Gauge
N4FDDC-423712	42.00" x 37.50" x 12.00"	14/14	12.075"	2	1	PSN-4236	39.00" x 33.00"	12
N4FDDC-483712	48.00" x 37.50" x 12.00"	14/14	12.075"	2	1	PSN-4836	45.00" x 33.00"	12
N4FDDC-483716	48.00" x 37.50" x 16.00"	14/14	16.075"	2	1	PSN-4836	45.00" x 33.00"	12
N4FDDC-603712	60.00" x 37.50" x 12.00"	14/14	12.075"	2	1	PSN-6036	57.00" x 33.00"	12
N4FDDC-603716	60.00" x 37.50" x 16.00"	14/14	16.075"	2	1	PSN-6036	57.00" x 33.00"	12

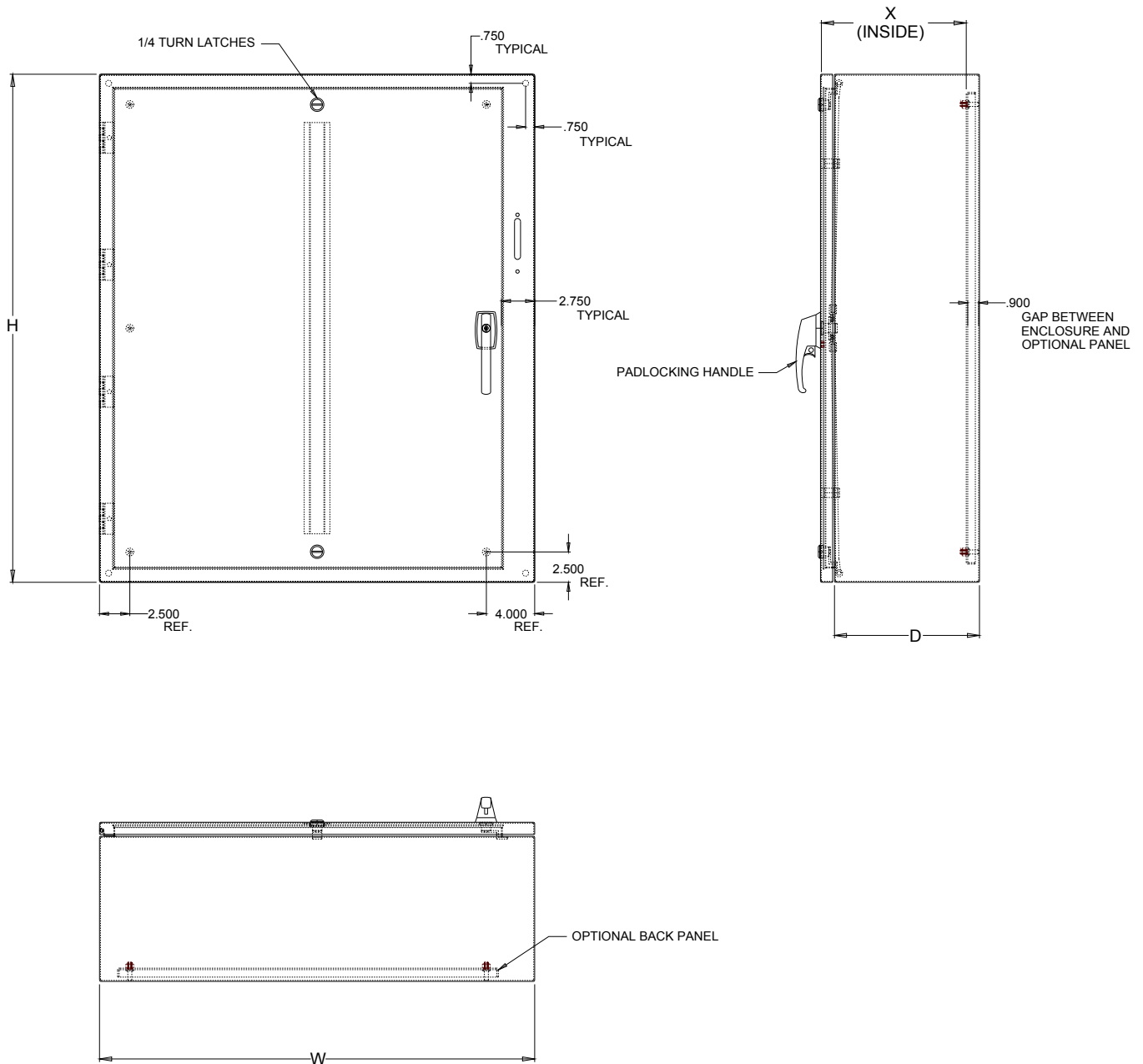


211 INDUSTRIAL COURT
WABASHA, MN 55981

Phone: (651) 565-3395
Fax: (651) 565-2787
E-mail: info@thomasindustriesinc.com
www.thomasindustriesinc.com

*DATA SUBJECT TO CHANGE WITHOUT NOTICE

TYPE 4 FLUSH DOOR DISCONNECT ENCLOSURES



211 INDUSTRIAL COURT
WABASHA, MN 55981

Phone: (651) 565-3395
Fax: (651) 565-2787
E-mail: info@thomasindustriesinc.com
www.thomasindustriesinc.com

*DATA SUBJECT TO CHANGE WITHOUT NOTICE

TYPE 4X STAINLESS STEEL CLAMPED COVER ENCLOSURES



Industry Standards
UL 508A, Type 2, 3R, 4, 4X, 12, 13
NEMA Type 2, 3R, 4, 4X, 12, 13



UL File E235575

TYPE 4X ENCLOSURES

Application:

Designed to enclose electrical, electronic controls, instruments and components and protect against harsh industrial environments.

Construction:

- Formed 304 stainless steel construction.
- Smooth, continuously welded seams without knockouts, cutouts, or holes.
- Cover is secured with stainless steel clamps.
- Cover sealed with closed cell, oil resistant gasket.
- Internal weld studs are provided for mounting optional inner panels.
- Welded brackets provided for enclosure mounting.
- Grounding studs are provided.

Finish:

- Cover and enclosure are stainless steel with smooth brushed finish.

Accessories:

- Back panels (see reference chart, pg. 6-1).

Options:

- Custom sizes available. Please call for details.

Enclosure Catalog Number	Enclosure Size H x W x D	Body/Door Steel Gauge	X	Back Panel Catalog Number			Back Panel Size A x B	Back Panel Gauge
N4XJ-080604SS	8.00" x 6.00" x 4.12"	16/16	3.62"	PP-0806	P2-0806	PS-0806	6.750" x 4.875"	14
N4XJ-100804SS	10.00" x 8.00" x 4.12"	16/16	3.62"	PP-1008	P2-1008	PS-1008	8.750" x 6.875"	14
N4XJ-121006SS	12.00" x 10.00" x 6.12"	16/16	5.62"	PP-1210	P2-1210	PS-1210	10.750" x 8.875"	14
N4XJ-141206SS	14.00" x 12.00" x 6.12"	16/16	5.62"	PP-1412	P2-1412	PS-1412	12.750" x 10.875"	14
N4XJ-141208SS	14.00" x 12.00" x 8.12"	16/16	7.62"	PP-1412	P2-1412	PS-1412	12.750" x 10.875"	14
N4XJ-161406SS	16.00" x 14.00" x 6.12"	14/14	5.62"	PP-1614	P2-1614	PS-1614	14.750" x 12.875"	14
N4XJ-161408SS	16.00" x 14.00" x 8.12"	14/14	7.62"	PP-1614	P2-1614	PS-1614	14.750" x 12.875"	14

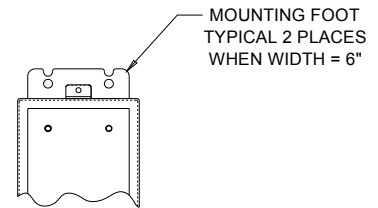
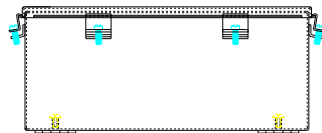
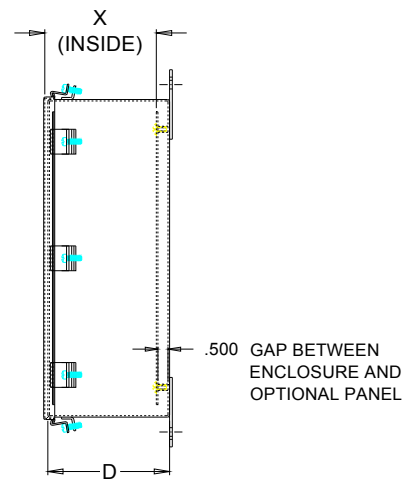
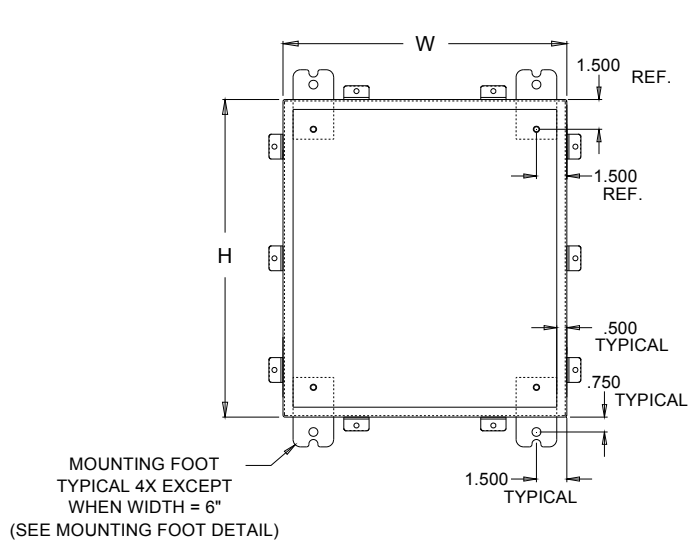


211 INDUSTRIAL COURT
WABASHA, MN 55981

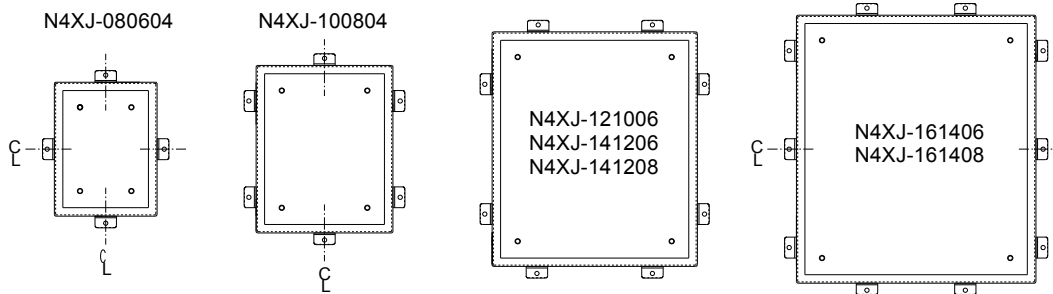
Phone: (651) 565-3395
Fax: (651) 565-2787
E-mail: info@thomasindustriesinc.com
www.thomasindustriesinc.com

*DATA SUBJECT TO CHANGE WITHOUT NOTICE

TYPE 4X STAINLESS STEEL CLAMPED COVER ENCLOSURES



MOUNTING FOOT DETAIL



211 INDUSTRIAL COURT
WABASHA, MN 55981

Phone: (651) 565-3395
Fax: (651) 565-2787
E-mail: info@thomasindustriesinc.com
www.thomasindustriesinc.com

*DATA SUBJECT TO CHANGE WITHOUT NOTICE

TYPE 4X CLAMPED COVER ENCLOSURES

5-2



Industry Standards

UL 508A, Type 2, 3R,4, 4X, 12, 13
NEMA Type 2, 3R, 4, 4X, 12, 13



UL File E235575

TYPE 4X ENCLOSURES

Application:

Designed for use as instrument enclosures, electric, hydraulic or pneumatic control housings, electrical junction boxes or terminal wiring enclosures. Provides protection where equipment may be hosed down or exposed to other wet conditions.

Construction:

- Steel fabricated covers and enclosures.
- Smooth, continuously welded seams without knockouts, cutouts, or holes.
- Welded brackets provided for enclosure mounting.
- Cover is secured with stainless steel clamps.
- Cover sealed with closed cell, oil resistant gasket.
- Internal weld studs are provided for mounting optional inner panels.
- Grounding studs are provided.

Finish:

- ANSI 61 gray powder coating inside and out over zinc primed and phosphatized surfaces. Optional panels are powder coated white.

Accessories:

- Back panels (see reference chart pg. 6-1).

Options:

- Custom sizes and colors available. Please call for details.

Enclosure Catalog Number	Enclosure Size H x W x D	Body/Door Steel Gauge	X	Back Panel Catalog Number			Back Panel Size A x B	Back Panel Gauge
				PP-0806	P2-0806	PS-0806		
N4XJ-080604	8.00" x 6.00" x 4.12"	16/16	3.62"	PP-0806	P2-0806	PS-0806	6.750" x 4.875"	14
N4XJ-100804	10.00" x 8.00" x 4.12"	16/16	3.62"	PP-1008	P2-1008	PS-1008	8.750" x 6.875"	14
N4XJ-121006	12.00" x 10.00" x 6.12"	16/16	5.62"	PP-1210	P2-1210	PS-1210	10.750" x 8.875"	14
N4XJ-141206	14.00" x 12.00" x 6.12"	16/16	5.62"	PP-1412	P2-1412	PS-1412	12.750" x 10.875"	14
N4XJ-141208	14.00" x 12.00" x 8.12"	16/16	7.62"	PP-1412	P2-1412	PS-1412	12.750" x 10.875"	14
N4XJ-161406	16.00" x 14.00" x 6.12"	14/14	5.62"	PP-1614	P2-1614	PS-1614	14.750" x 12.875"	14
N4XJ-161408	16.00" x 14.00" x 8.12"	14/14	7.62"	PP-1614	P2-1614	PS-1614	14.750" x 12.875"	14

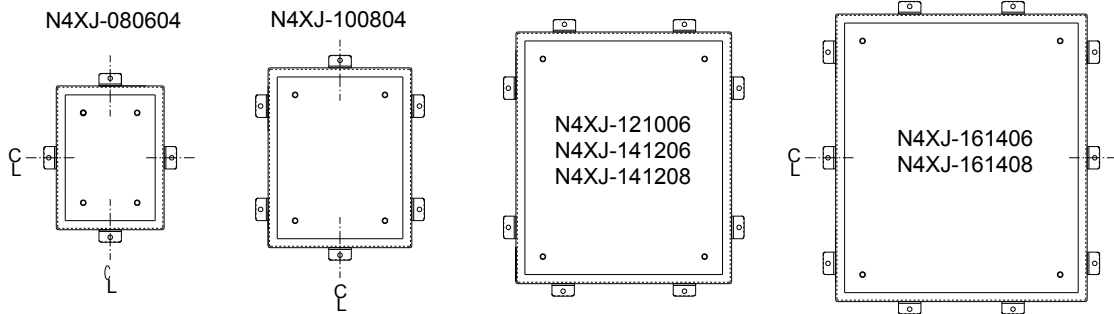
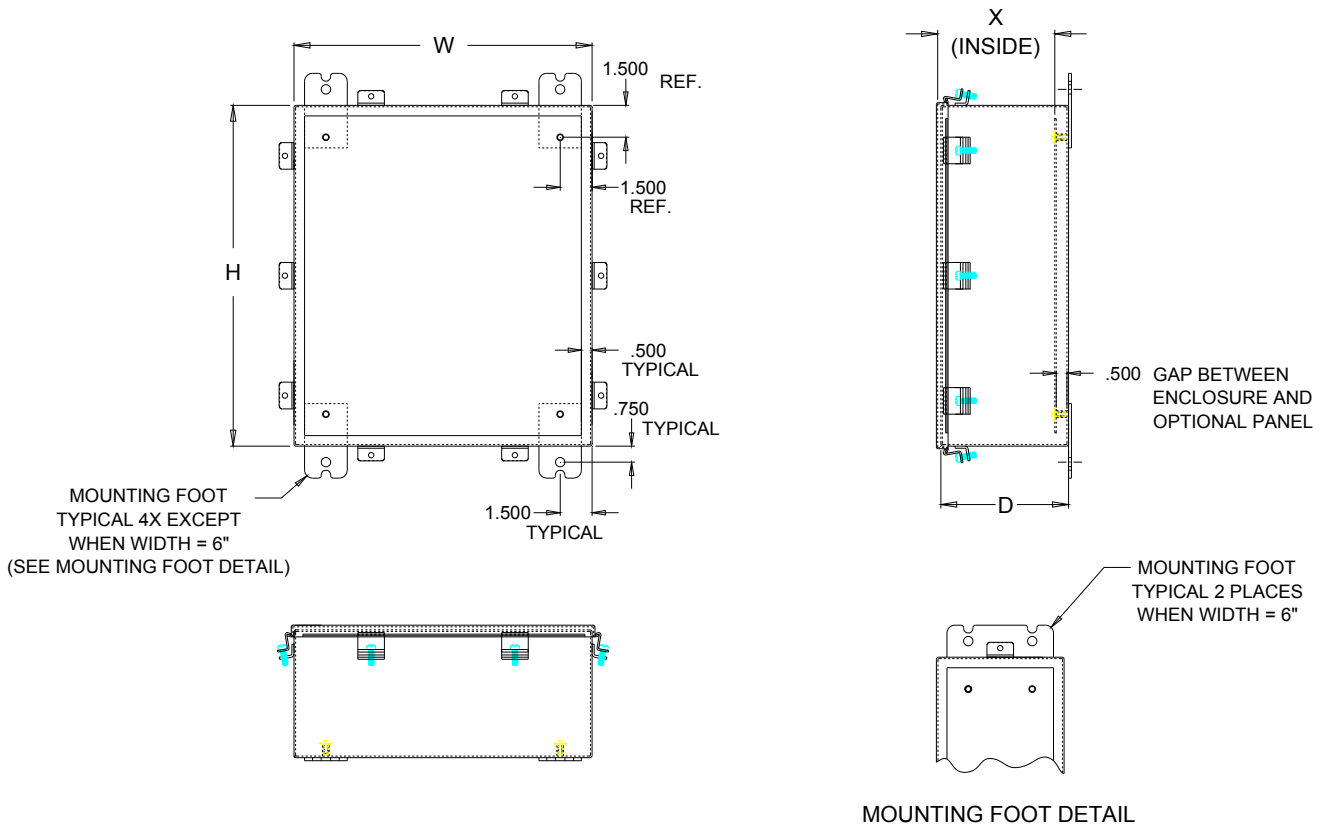


211 INDUSTRIAL COURT
WABASHA, MN 55981

Phone: (651) 565-3395
Fax: (651) 565-2787
E-mail: info@thomasindustriesinc.com
www.thomasindustriesinc.com

*DATA SUBJECT TO CHANGE WITHOUT NOTICE

TYPE 4X CLAMPED COVER ENCLOSURES



211 INDUSTRIAL COURT
WABASHA, MN 55981

Phone: (651) 565-3395
Fax: (651) 565-2787
E-mail: info@thomasindustriesinc.com
www.thomasindustriesinc.com

TYPE 4X STAINLESS STEEL JIC CONTINUOUS HINGE ENCLOSURES



Industry Standards

UL 508A, Type 2, 3R, 4, 4X, 12, 13

NEMA Type 2, 3R, 4, 4X, 12, 13



UL File E235575

TYPE 4X ENCLOSURES

Application:

Designed for use as instrument enclosures, electric, hydraulic or pneumatic control housings, electrical junction boxes or terminal wiring enclosures. Provides protection where equipment may be hosed down or exposed to other wet conditions or where corrosion may be a problem.

Construction:

- Formed 304 stainless steel.
- Smooth, continuously welded seams without knockouts, cutouts, or holes.
- Welded brackets provided for enclosure mounting.
- Doors secured with stainless steel continuous hinge and JIC style clamps.
- Doors sealed with closed cell, oil resistant gasket.
- Internal weld studs are provided for mounting optional inner panels.
- Grounding stud provided.

Finish:

- Cover and enclosure are stainless steel with smooth brushed finish.

Accessories:

- Back panels (see reference chart, pg. 6-1).

Options:

- Custom sizes available. Please call for details.

Enclosure Catalog Number	Enclosure Size H x W x D	Body/Door Steel Gauge	X	Back Panel Catalog Number			Back Panel Size A x B	Back Panel Gauge
				PP-0806	P2-0806	PS-0806		
N4XJCH-080604SS	8.00" x 6.00" x 4.12"	16/16	3.62"	PP-0806	P2-0806	PS-0806	6.750" x 4.875"	14
N4XJCH-100804SS	10.00" x 8.00" x 4.12"	16/16	3.62"	PP-1008	P2-1008	PS-1008	8.750" x 6.875"	14
N4XJCH-121006SS	12.00" x 10.00" x 6.12"	16/16	5.62"	PP-1210	P2-1210	PS-1210	10.750" x 8.875"	14
N4XJCH-141206SS	14.00" x 12.00" x 6.12"	16/16	5.62"	PP-1412	P2-1412	PS-1412	12.750" x 10.875"	14
N4XJCH-141208SS	14.00" x 12.00" x 8.12"	16/16	7.62"	PP-1412	P2-1412	PS-1412	12.750" x 10.875"	14
N4XJCH-161406SS	16.00" x 14.00" x 6.12"	14/14	5.62"	PP-1614	P2-1614	PS-1614	14.750" x 12.875"	14
N4XJCH-161408SS	16.00" x 14.00" x 8.12"	14/14	7.62"	PP-1614	P2-1614	PS-1614	14.750" x 12.875"	14



211 INDUSTRIAL COURT
WABASHA, MN 55981

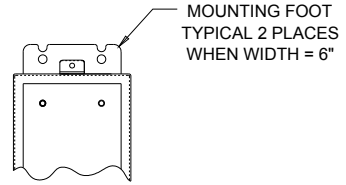
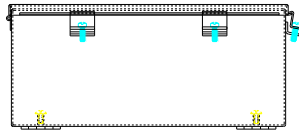
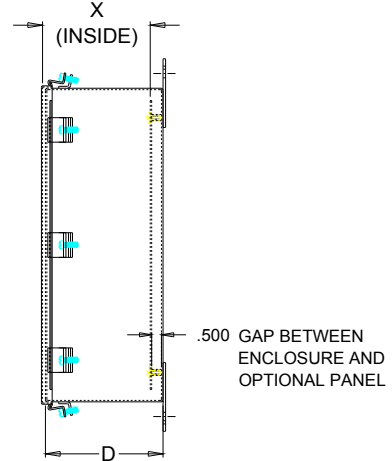
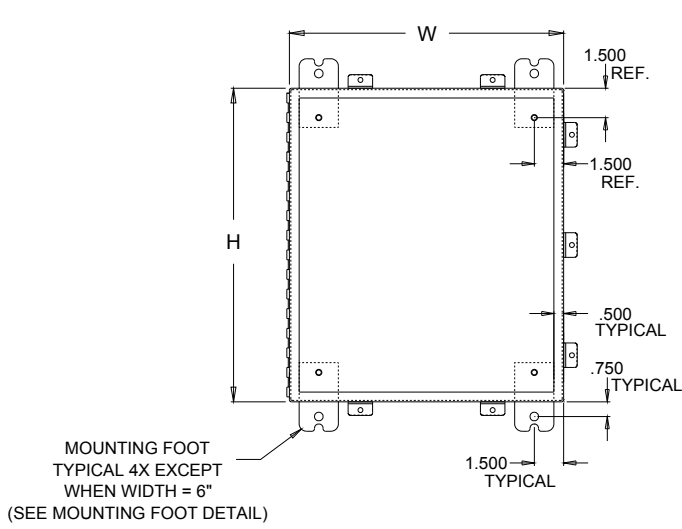
Phone: (651) 565-3395

Fax: (651) 565-2787

E-mail: info@thomasindustriesinc.com
www.thomasindustriesinc.com

*DATA SUBJECT TO CHANGE WITHOUT NOTICE

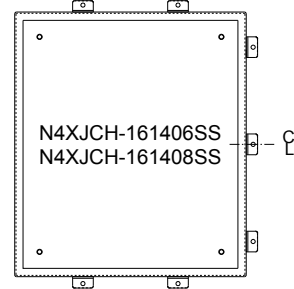
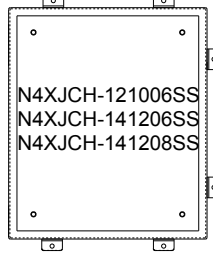
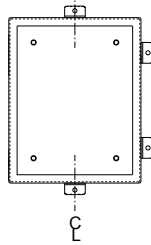
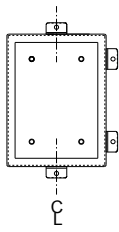
TYPE 4X STAINLESS STEEL JIC CONTINUOUS HINGE ENCLOSURES



MOUNTING FOOT DETAIL

N4XJCH-080604SS

N4XJCH-100804SS



211 INDUSTRIAL COURT
WABASHA, MN 55981

Phone: (651) 565-3395
Fax: (651) 565-2787
E-mail: info@thomasindustriesinc.com
www.thomasindustriesinc.com

TYPE 4X JIC CONTINUOUS HINGE ENCLOSURES



Industry Standards
 UL 508A, Type 2, 3R, 4, 4X, 12, 13
 NEMA Type 2, 3R, 4, 4X, 12, 13



UL File E235575

TYPE 4X ENCLOSURES

Application:

Designed for use as instrument enclosures, electric, hydraulic or pneumatic control housings, electrical junction boxes or terminal wiring enclosures. Provides protection where equipment may be hosed down or exposed to other wet conditions.

Construction:

- Steel fabricated doors and enclosures.
- Smooth, continuously welded seams without knockouts, cutouts, or holes.
- Welded brackets provided for enclosure mounting.
- Doors secured with stainless steel continuous hinge and JIC style clamps.
- Doors sealed with closed cell, oil resistant gasket.
- Internal weld studs are provided for mounting optional inner panels.
- Grounding studs are provided.

Finish:

- ANSI 61 gray powder coating inside and out over zinc primed and phosphatized surfaces. Optional panels are powder coated white.

Accessories:

- Back Panels (see reference chart, pg. 6-1)

Options:

- Custom sizes and colors available. Please call for details.

Enclosure Catalog Number	Enclosure Size H x W x D	Body/Door Steel Gauge	X	Back Panel Catalog Number			Back Panel Size A x B	Back Panel Gauge
N4XJCH-080604	8.00" x 6.00" x 4.12"	16/16	3.62"	PP-0806	P2-0806	PS-0806	6.750" x 4.875"	14
N4XJCH-100804	10.00" x 8.00" x 4.12"	16/16	3.62"	PP-1008	P2-1008	PS-1008	8.750" x 6.875"	14
N4XJCH-121006	12.00" x 10.00" x 6.12"	16/16	5.62"	PP-1210	P2-1210	PS-1210	10.750" x 8.875"	14
N4XJCH-141206	14.00" x 12.00" x 6.12"	16/16	5.62"	PP-1412	P2-1412	PS-1412	12.750" x 10.875"	14
N4XJCH-141208	14.00" x 12.00" x 8.12"	16/16	7.62"	PP-1412	P2-1412	PS-1412	12.750" x 10.875"	14
N4XJCH-161406	16.00" x 14.00" x 6.12"	14/14	5.62"	PP-1614	P2-1614	PS-1614	14.750" x 12.875"	14
N4XJCH-161408	16.00" x 14.00" x 8.12"	14/14	7.62"	PP-1614	P2-1614	PS-1614	14.750" x 12.875"	14

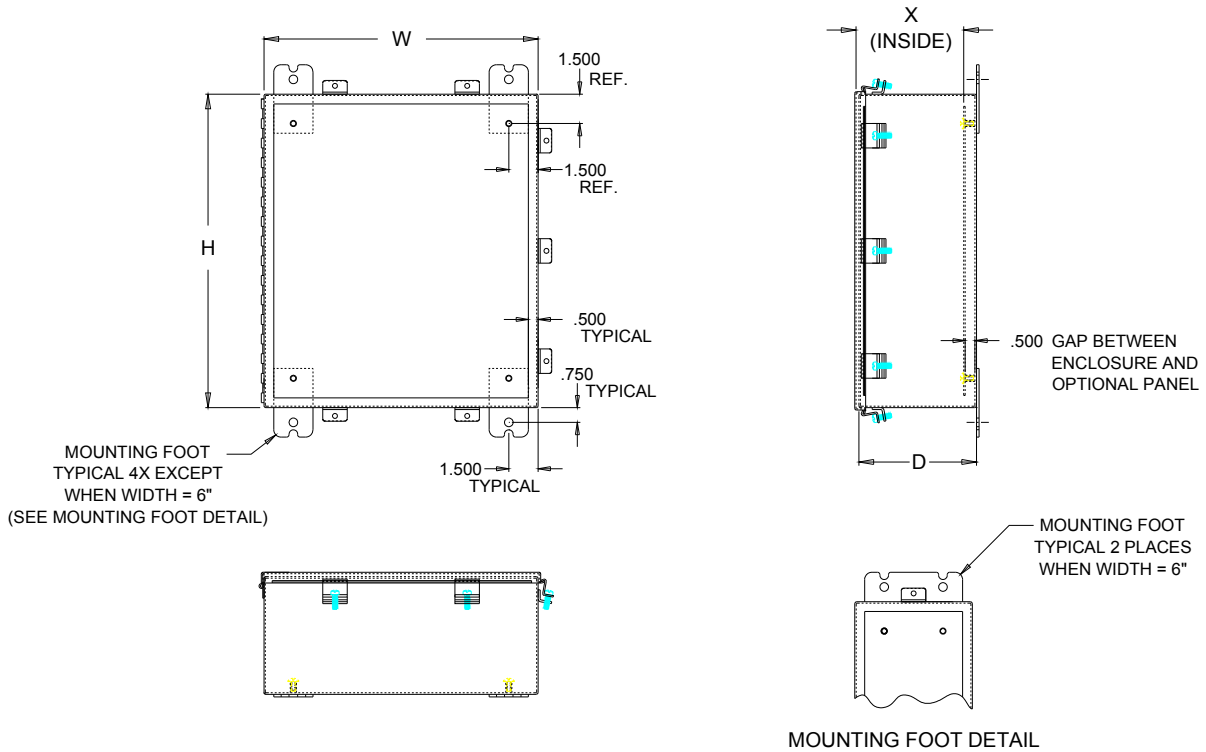


211 INDUSTRIAL COURT
 WABASHA, MN 55981

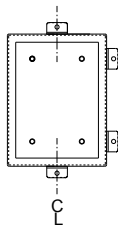
Phone: (651) 565-3395
 Fax: (651) 565-2787
 E-mail: info@thomasindustriesinc.com
www.thomasindustriesinc.com

*DATA SUBJECT TO CHANGE WITHOUT NOTICE

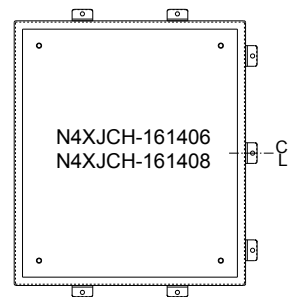
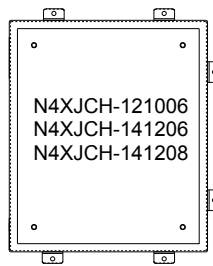
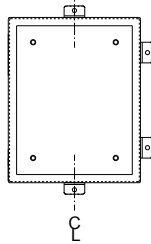
TYPE 4X JIC CONTINUOUS HINGE ENCLOSURES



N4XJCH-080604



N4XJCH-100804

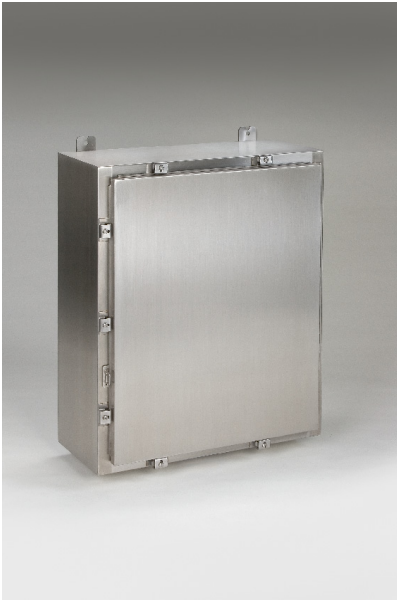


211 INDUSTRIAL COURT
WABASHA, MN 55981

Phone: (651) 565-3395
Fax: (651) 565-2787
E-mail: info@thomasindustriesinc.com
www.thomasindustriesinc.com

*DATA SUBJECT TO CHANGE WITHOUT NOTICE

TYPE 4X STAINLESS STEEL NEMA CLAMP ENCLOSURES



Industry Standards

UL 508A, Type 2, 3R, 4, 4X, 12, 13

NEMA Type 2, 3R, 4, 4X, 12, 13



UL File E235575

TYPE 4X ENCLOSURES

Application:

Designed to enclose electrical, electronic controls, instruments and components and protect against harsh industrial environments. Provides protection where equipment may be hosed down or located in highly corrosive environments.

Construction:

- Formed 304 stainless steel.
- Smooth, continuously welded seams without knockouts, cutouts, or holes.
- Formed lip on enclosure to keep out liquids and contaminants.
- Stainless steel continuous hinge and pin.
- Continuous hinge door is removable by pulling the pin.
- Door is secured with stainless steel clamps.
- Provisions for padlocking.
- Print pocket provided.
- Door is sealed with closed cell, oil resistant gasket.
- Collar studs are provided for mounting optional inner panels.
- Grounding studs are provided.

Finish:

- Cover and enclosure are stainless steel with smooth brushed finish.

Accessories:

- Back panels (see reference chart pg. 6-3)

Options:

- Custom sizes available. Please call for details.

Enclosure Catalog Number	Enclosure Size H x W x D	X	Back Panel Catalog Number	Back Panel Size A x B
N4XN-181606SS	18.00" x 16.00" x 6.00"	6.070"	PSN-1816	15.00" x 13.00"
N4XN-202008SS	20.00" x 20.00" x 8.00"	8.070"	PSN-2020	17.00" x 17.00"
N4XN-242006SS	24.00" x 20.00" x 6.00"	6.070"	PSN-2420	21.00" x 17.00"
N4XN-242008SS	24.00" x 20.00" x 8.00"	8.070"	PSN-2420	21.00" x 17.00"
N4XN-242406SS	24.00" x 24.00" x 6.00"	6.070"	PSN-2424	21.00" x 21.00"
N4XN-242408SS	24.00" x 24.00" x 8.00"	8.070"	PSN-2424	21.00" x 21.00"
N4XN-302410SS	30.00" x 24.00" x 10.00"	10.070"	PSN-3024	27.00" x 21.00"
N4XN-362406SS	36.00" x 24.00" x 6.00"	6.070"	PSN-3624	33.00" x 21.00"
N4XN-362408SS	36.00" x 24.00" x 8.00"	8.070"	PSN-3624	33.00" x 21.00"
N4XN-363010SS	36.00" x 30.00" x 10.00"	10.070"	PSN-3630	33.00" x 27.00"
N4XN-423610SS	42.00" x 36.00" x 10.00"	10.070"	PSN-4236	39.00" x 33.00"
N4XN-483610SS	48.00" x 36.00" x 10.00"	10.070"	PSN-4836	45.00" x 33.00"



211 INDUSTRIAL COURT
WABASHA, MN 55981

*DATA SUBJECT TO CHANGE WITHOUT NOTICE

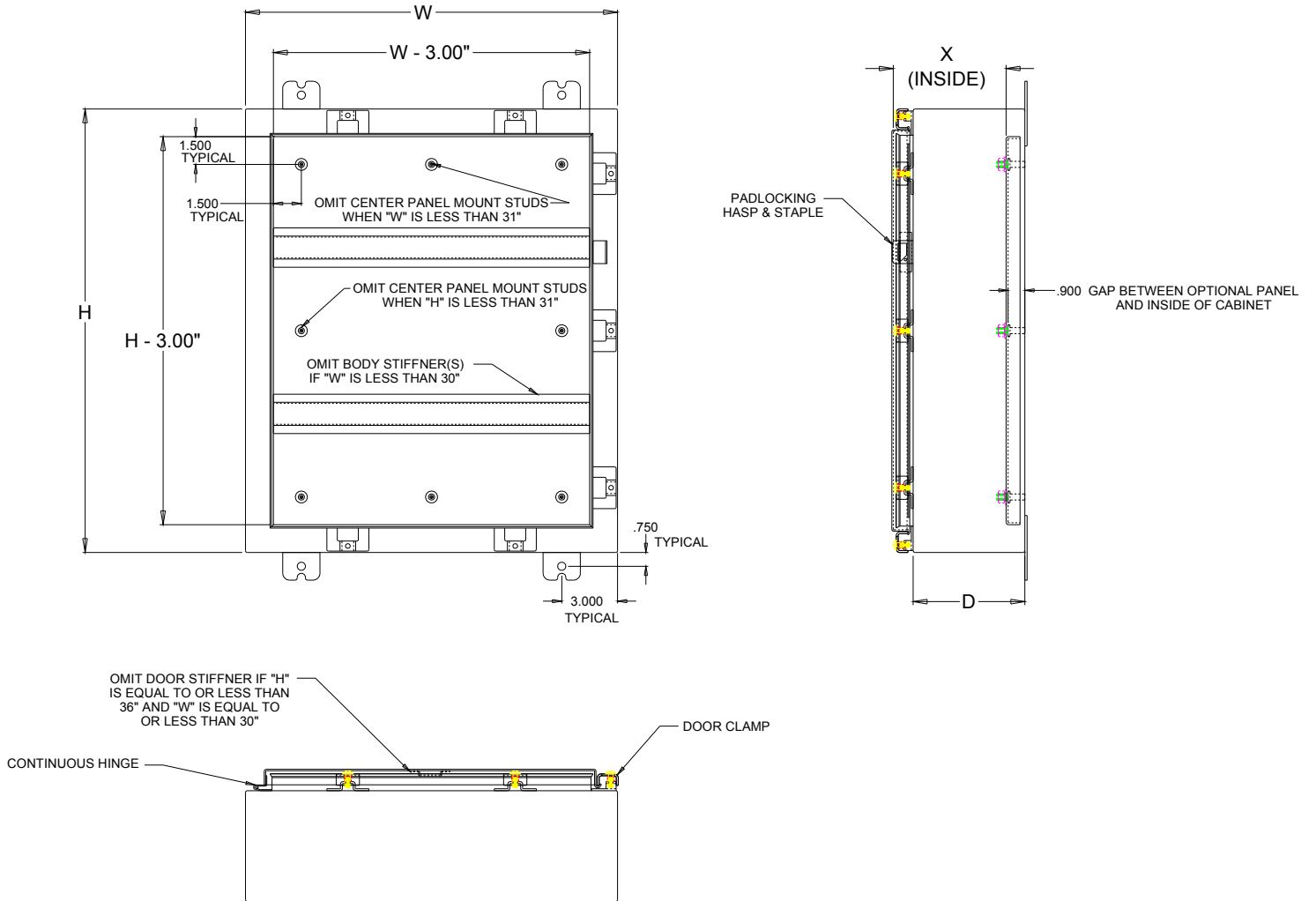
Phone: (651) 565-3395

Fax: (651) 565-2787

E-mail: info@thomasindustriesinc.com

www.thomasindustriesinc.com

TYPE 4X STAINLESS STEEL NEMA CLAMP ENCLOSURES



211 INDUSTRIAL COURT
WABASHA, MN 55981

Phone: (651) 565-3395
 Fax: (651) 565-2787
 E-mail: info@thomasindustriesinc.com
www.thomasindustriesinc.com

*DATA SUBJECT TO CHANGE WITHOUT NOTICE

TYPE 4X NEMA CLAMP ENCLOSURES



Industry Standards

UL 508A, Type 2, 3R, 4, 4X, 12, 13

NEMA Type 2, 3R, 4, 4X, 12, 13



UL File E235575

TYPE 4X ENCLOSURES

Application:

Designed for use as instrument enclosures, electric, hydraulic or pneumatic control housings, electrical junction boxes or terminal wiring enclosures. Provides protection where equipment may be hosed down or exposed to other wet conditions.

Construction:

- Steel fabricated doors and enclosures.
- Smooth, continuously welded seams without knockouts, cutouts, or holes.
- Formed lip on enclosure to keep out liquids and contaminants.
- Welded brackets provided for enclosure mounting.
- Stainless steel continuous hinge and pin.
- Continuous hinge door is removable by pulling the pin.
- Door is secured with stainless steel clamps.
- Provisions for padlocking.
- Door is sealed with closed cell, oil resistant gasket.
- Print pocket is provided.
- Collar studs are provided for mounting optional inner panels.
- Grounding studs are provided.

Finish:

- ANSI 61 gray powder coating inside and out over zinc primed and phosphatized surfaces. Optional panels are powder coated white.

Accessories:

- Back panels (see reference chart, pg. 6-3)

Options:

- Custom sizes and colors available. Please call for details.

Enclosure Catalog Number	Enclosure Size H x W x D	X	Back Panel Catalog Number	Back Panel Size A x B
N4XN-181606	18.00" x 16.00" x 6.00"	6.070"	PSN-1816	15.00" x 13.00"
N4XN-202008	20.00" x 20.00" x 8.00"	8.070"	PSN-2020	17.00" x 17.00"
N4XN-242006	24.00" x 20.00" x 6.00"	6.070"	PSN-2420	21.00" x 17.00"
N4XN-242008	24.00" x 20.00" x 8.00"	8.070"	PSN-2420	21.00" x 17.00"
N4XN-242406	24.00" x 24.00" x 6.00"	6.070"	PSN-2424	21.00" x 21.00"
N4XN-242408	24.00" x 24.00" x 8.00"	8.070"	PSN-2424	21.00" x 21.00"
N4XN-302410	30.00" x 24.00" x 10.00"	10.070"	PSN-3024	27.00" x 21.00"
N4XN-362406	36.00" x 24.00" x 6.00"	6.070"	PSN-3624	33.00" x 21.00"
N4XN-362408	36.00" x 24.00" x 8.00"	8.070"	PSN-3624	33.00" x 21.00"
N4XN-363010	36.00" x 30.00" x 10.00"	10.070"	PSN-3630	33.00" x 27.00"
N4XN-423610	42.00" x 36.00" x 10.00"	10.070"	PSN-4236	39.00" x 33.00"
N4XN-483610	48.00" x 36.00" x 10.00"	10.070"	PSN-4836	45.00" x 33.00"



211 INDUSTRIAL COURT
WABASHA, MN 55981

*DATA SUBJECT TO CHANGE WITHOUT NOTICE

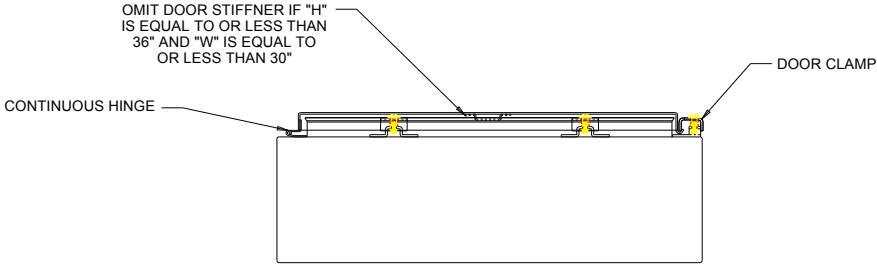
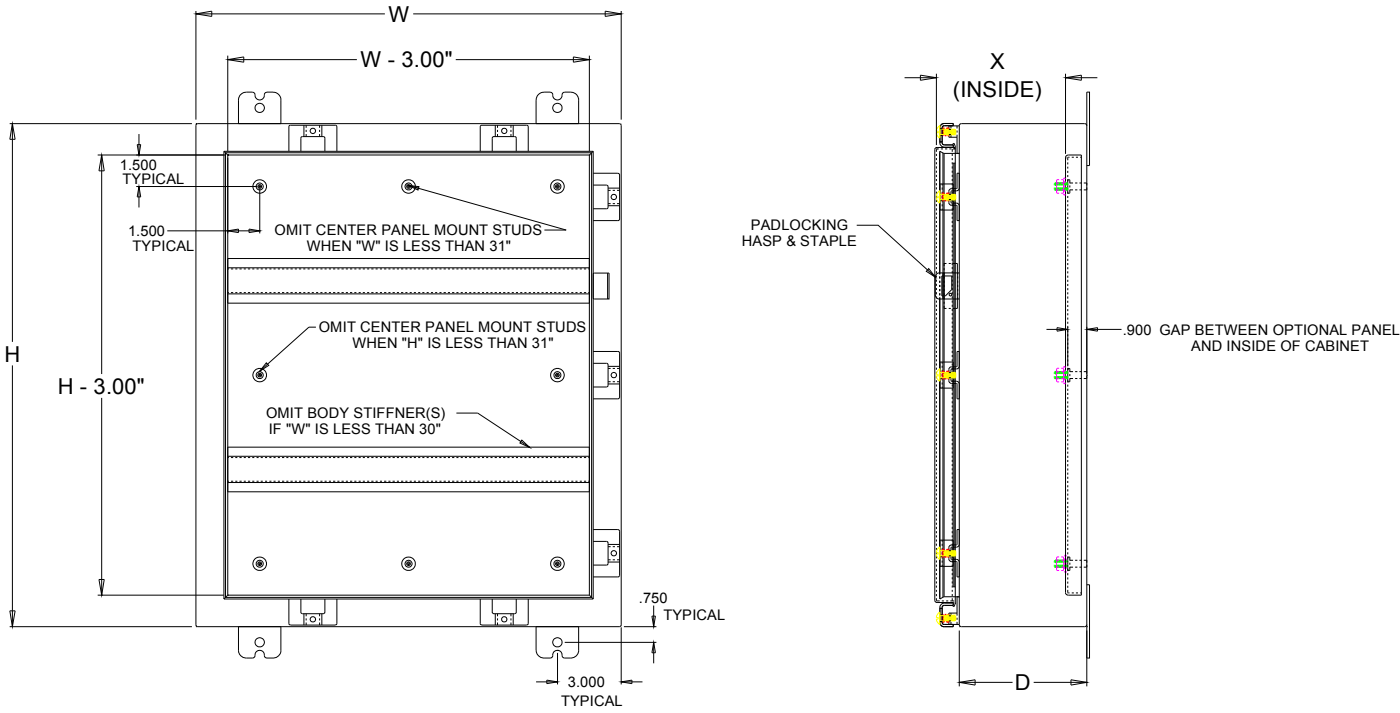
Phone: (651) 565-3395

Fax: (651) 565-2787

E-mail: info@thomasindustriesinc.com

www.thomasindustriesinc.com

TYPE 4X NEMA CLAMP ENCLOSURES



211 INDUSTRIAL COURT
WABASHA, MN 55981

Phone: (651) 565-3395
 Fax: (651) 565-2787
 E-mail: info@thomasindustriesinc.com
www.thomasindustriesinc.com

*DATA SUBJECT TO CHANGE WITHOUT NOTICE

BACK PANELS FOR TYPE 1 & JIC ENCLOSURES

PERFORATED BACK PANELS	
CATALOG NUMBER	PANEL SIZE A x B
PP-0806	6.750" x 4.875"
PP-1008	8.750" x 6.875"
PP-1210	10.750" x 8.875"
PP-1212	10.750" x 10.875"
PP-1412	12.750" x 10.875"
PP-1612	14.750" x 10.875"
PP-1614	14.750" x 12.875"
PP-1616	14.750" x 14.875"
PP-1712	16.375" x 11.625"
PP-1816	16.750" x 14.875"
PP-1820	16.750" x 18.875"
PP-2016	18.750" x 14.875"
PP-2020	18.750" X18.875"
PP-2420	22.750" x 18.875"
PP-2424	22.750" x 22.875"
PP-3024	28.750" x 22.875"
PP-3530	33.750" x 28.875"
PP-3624	34.750" x 22.875"
PP-4236**	40.750" x 34.875"
PP-4930**	48.000" x 28.875"

2" ON CENTER BACK PANELS	
CATALOG NUMBER	PANEL SIZE A x B
P2-0806	6.750" x 4.875"
P2-1008	8.750" x 6.875"
P2-1210	10.750" x 8.875"
P2-1212	10.750" x 10.875"
P2-1412	12.750" x 10.875"
P2-1612	14.750" x 10.875"
P2-1614	14.750" x 12.875"
P2-1616	14.750" x 14.875"
P2-1712	16.375" x 11.625"
P2-1816	16.750" x 14.875"
P2-1820	16.750" x 18.875"
P2-2016	18.750" x 14.875"
P2-2020	18.750" X18.875"
P2-2420	22.750" x 18.875"
P2-2424	22.750" x 22.875"
P2-3024	28.750" x 22.875"
P2-3530	33.750" x 28.875"
P2-3624	34.750" x 22.875"
P2-4236**	40.750" x 34.875"
P2-4930**	48.000" x 28.875"

SOLID BACK PANELS	
CATALOG NUMBER	PANEL SIZE A x B
PS-0806	6.750" x 4.875"
PS-1008	8.750" x 6.875"
PS-1210	10.750" x 8.875"
PS-1212	10.750" x 10.875"
PS-1412	12.750" x 10.875"
PS-1612	14.750" x 10.875"
PS-1614	14.750" x 12.875"
PS-1616	14.750" x 14.875"
PS-1712	16.375" x 11.625"
PS-1816	16.750" x 14.875"
PS-1820	16.750" x 18.875"
PS-2016	18.750" x 14.875"
PS-2020	18.750" X18.875"
PS-2420	22.750" x 18.875"
PS-2424	22.750" x 22.875"
PS-3024	28.750" x 22.875"
PS-3530	33.750" x 28.875"
PS-3624	34.750" x 22.875"
PS-4236**	40.750" x 34.875"
PS-4930**	48.000" x 28.875"

Construction:

- 14 gauge carbon steel (unless otherwise noted).
- ** denotes 12 gauge material.
- Fully perforated.

Finish:

- White powder coat.

Construction:

- 14 gauge carbon steel (unless otherwise noted).
- ** denotes 12 gauge material.
- Holes spaced 2" on center.

Finish:

- White powder coat.

Options:

- Optional materials available, please call for details.

Construction:

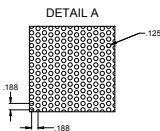
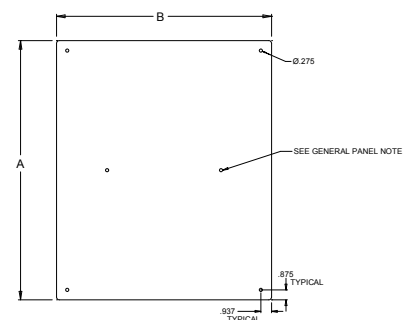
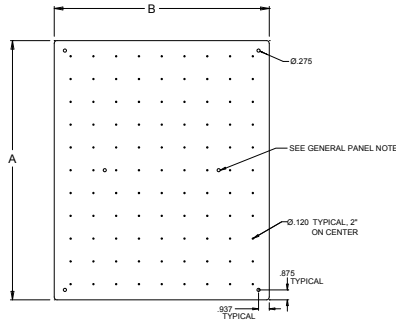
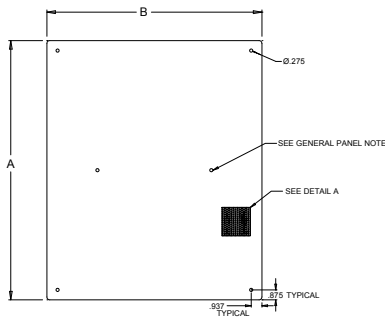
- 14 gauge carbon steel (unless otherwise noted).
- ** denotes 12 gauge material.

Finish:

- White powder coat.

Options:

- Optional materials available, please call for details.



NOTE: OMIT CENTER HOLES IF "A" AND "B" ARE LESS THAN 30".



211 INDUSTRIAL COURT
WABASHA, MN 55981

Phone: (651) 565-3395
 Fax: (651) 565-2787
 E-mail: info@thomasindustriesinc.com
www.thomasindustriesinc.com

*DATA SUBJECT TO CHANGE WITHOUT NOTICE



**Need a custom
color?
Call Thomas
Industries for
custom powder
coating!**



211 INDUSTRIAL COURT
WABASHA, MN 55981

Phone: (651) 565-3395
Fax: (651) 565-2787
E-mail: info@thomasindustriesinc.com
www.thomasindustriesinc.com

*DATA SUBJECT TO CHANGE WITHOUT NOTICE

BACK PANELS FOR 3R ENCLOSURES

Back Panel Catalog Number	Back Panel Size A x B	Back Panel Gauge	Edge Flanges
PS-1212-3R	10.80" x 8.80"	14	None
PS-1612-3R	12.80" x 10.80"	14	None
PS-1616-3R	13.00" x 13.00"	14	None
PS-2016-3R	17.00" x 13.00"	12	None
PS-2420-3R	21.00" x 17.00"	12	2
PS-2424-3R	21.00" x 21.00"	12	2
PS-3024-3R	27.00" x 21.00"	12	2
PS-3624-3R	33.00" x 21.00"	12	2
PS-3630-3R	33.00" x 27.00"	12	4

Construction:

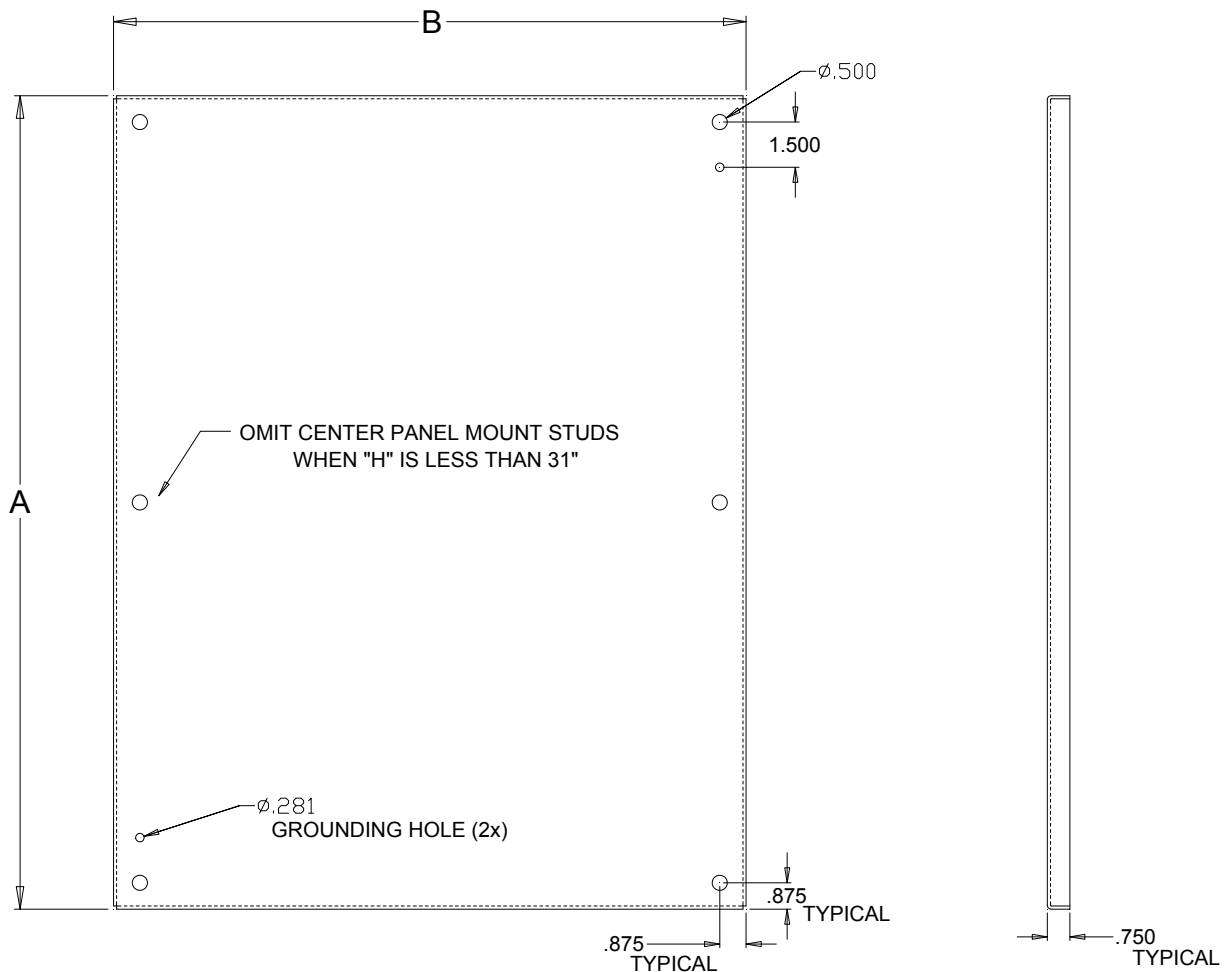
- 12 or 14 gauge carbon steel.
- 3/4" edge flanges provided on 2 or 4 sides of medium and large panels (see chart for details).

Finish:

- White powder coat.

Options:

- Optional materials available, please call for details.



BACK PANELS



211 INDUSTRIAL COURT
WABASHA, MN 55981

*DATA SUBJECT TO CHANGE WITHOUT NOTICE

Phone: (651) 565-3395
 Fax: (651) 565-2787
 E-mail: info@thomasindustriesinc.com
www.thomasindustriesinc.com



**Remember Thomas
Industries for all of
your sheet metal
fabrication needs!**



211 INDUSTRIAL COURT
WABASHA, MN 55981

Phone: (651) 565-3395
Fax: (651) 565-2787
E-mail: info@thomasindustriesinc.com
www.thomasindustriesinc.com

*DATA SUBJECT TO CHANGE WITHOUT NOTICE

BACK PANELS FOR NEMA CLAMP AND SELECT FLUSH DOOR ENCLOSURES

Back Panel Catalog Number	Back Panel Size A x B
PSN-1816	15.00" x 13.00"
PSN-2016	17.00" x 13.00"
PSN-2020	17.00" x 17.00"
PSN-2420	21.00" x 17.00"
PSN-2424	21.00" x 21.00"
PSN-3024	27.00" x 21.00"
PSN-3624	33.00" x 21.00"
PSN-3630	33.00" x 27.00"
PSN-4236	39.00" x 33.00"
PSN-4836	45.00" x 33.00"
PSN-6036	57.00" x 33.00"

Construction:

- 12 gauge carbon steel.

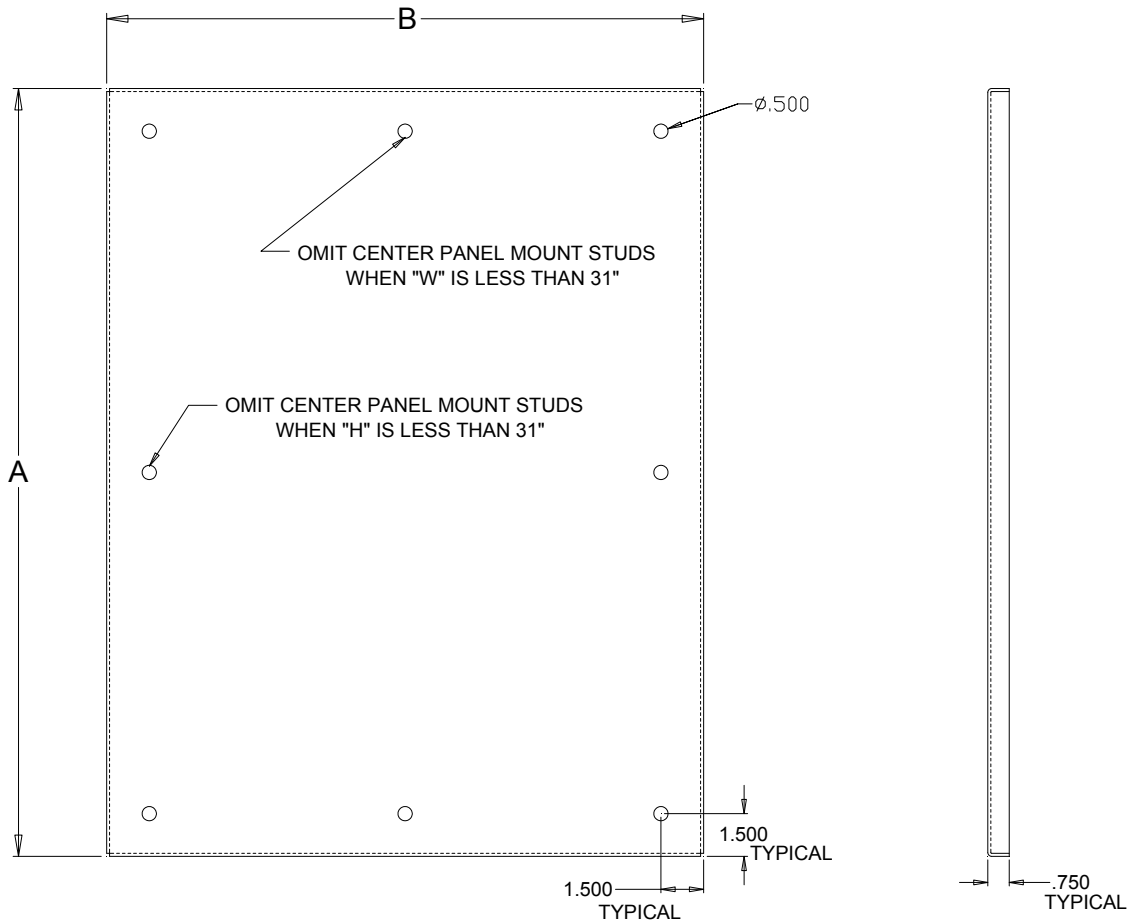
Finish:

- White powder coat.

Options:

- Optional materials available, please call for details.

BACK PANELS



211 INDUSTRIAL COURT
WABASHA, MN 55981

*DATA SUBJECT TO CHANGE WITHOUT NOTICE

Phone: (651) 565-3395
 Fax: (651) 565-2787
 E-mail: info@thomasindustriesinc.com
www.thomasindustriesinc.com



**Need special
cutouts, knockouts,
or holes? Call
Thomas Industries
for all of your
customization
needs!**



211 INDUSTRIAL COURT
WABASHA, MN 55981

Phone: (651) 565-3395
Fax: (651) 565-2787
E-mail: info@thomasindustriesinc.com
www.thomasindustriesinc.com

*DATA SUBJECT TO CHANGE WITHOUT NOTICE

BACK PANELS FOR MINI AND MEDIUM FLUSH DOOR ENCLOSURES

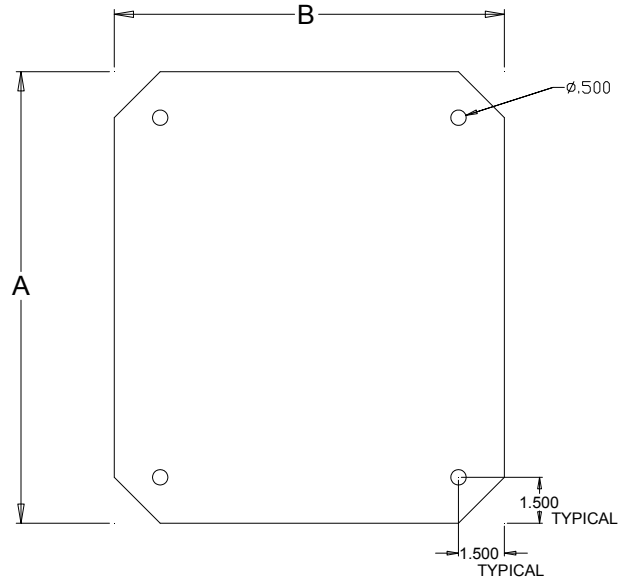
Mini Flush Door Panels

Back Panel Catalog Number	Back Panel Size A x B
PSMFD-0606	4.75" x 4.75"
PSMFD-1008	8.75" x 6.75"
PSMFD-1212	10.75" x 10.75"
PSMFD-1412	12.75" x 10.75"
PSMFD-1614	14.75" x 12.75"

Construction:
- 14 gauge carbon steel.

Finish:
- White powder coat.

Options:
- Optional materials available, please call for details.



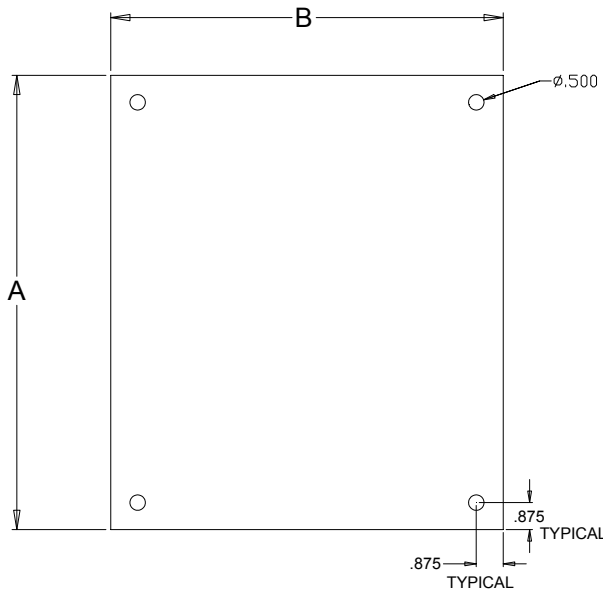
Medium Flush Door Panels

Back Panel Catalog Number	Back Panel Size A x B
PSFD-1212	9.45" x 9.45"
PSFD-1612	13.45" x 9.45"
PSFD-1616	13.45" x 13.45"

Construction:
- 12 or 14 gauge carbon steel.

Finish:
- White powder coat.

Options:
- Optional materials available, please call for details.



211 INDUSTRIAL COURT
WABASHA, MN 55981

Phone: (651) 565-3395
 Fax: (651) 565-2787
 E-mail: info@thomasindustriesinc.com
www.thomasindustriesinc.com

*DATA SUBJECT TO CHANGE WITHOUT NOTICE



**Remember
Thomas Industries
for all of your tube
bending needs!**



211 INDUSTRIAL COURT
WABASHA, MN 55981

Phone: (651) 565-3395
Fax: (651) 565-2787
E-mail: info@thomasindustriesinc.com
www.thomasindustriesinc.com

*DATA SUBJECT TO CHANGE WITHOUT NOTICE

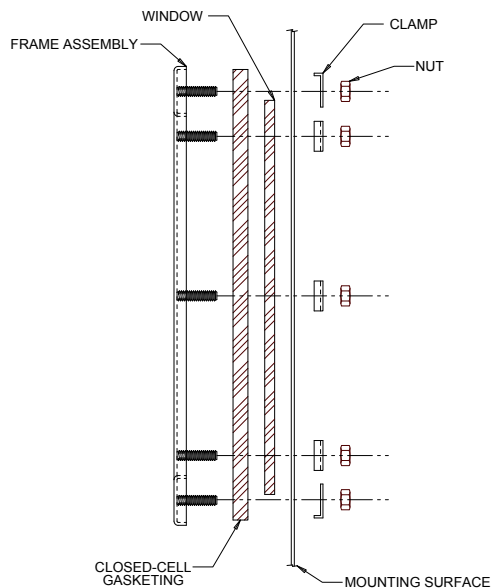
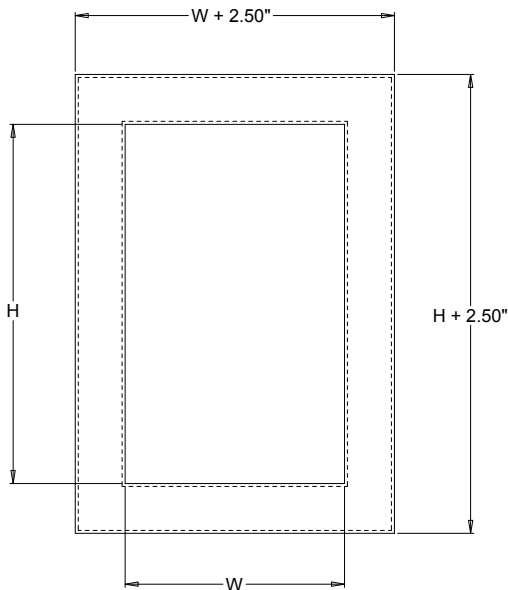
WINDOW KITS



- Kits are easily installed by making a cutout in the enclosure and attaching the window and frame with supplied hardware.
- Kits are fully gasketed to maintain an oil tight seal.
- Frames are constructed of steel with an ANSI-61 gray powder coat finish over phosphatized surfaces or of type 304 stainless steel with a brushed finish.

Catalog Number		Window Size H x W	Frame Size	Required Cut-out
Steel	Stainless Steel			
WK-0503	WK-0503SS	5.125" x 3.125"	7.625" x 5.625"	6.70" x 4.70"
WK-0905	WK-0905SS	9.00" x 5.50"	11.50" x 8.00"	10.625" x 7.125"
WK-1308	WK-1308SS	13.00" x 8.00"	15.50" x 10.50"	14.625" x 9.625"
WK-1711	WK-1711SS	17.00" x 11.00"	19.50" x 13.50"	18.625" x 12.625"

ACCESSORIES



211 INDUSTRIAL COURT
WABASHA, MN 55981

Phone: (651) 565-3395
 Fax: (651) 565-2787
 E-mail: info@thomasindustriesinc.com
www.thomasindustriesinc.com

*DATA SUBJECT TO CHANGE WITHOUT NOTICE



**Need special locks,
latches, or
hardware? Call
Thomas Industries
to discuss your
customization
needs!**



211 INDUSTRIAL COURT
WABASHA, MN 55981

Phone: (651) 565-3395
Fax: (651) 565-2787
E-mail: info@thomasindustriesinc.com
www.thomasindustriesinc.com

*DATA SUBJECT TO CHANGE WITHOUT NOTICE

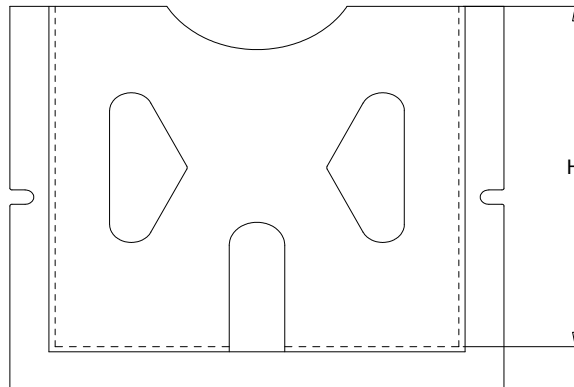
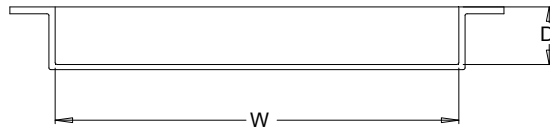
Print Pockets



- Print pockets can be placed anywhere within enclosure via adhesive tape flanges.
- Light gray in color.

Print Pocket Catalog Number	Print Pocket Size H x W x D
ENPP-0606	5.91" x 5.78" x 1.00"
ENPP-0909	8.625" x 9.06" x 1.125"

ACCESSORIES



NOTE: ALL DIMENSIONS ARE INSIDE DIMENSIONS REFLECTING USEABLE AREA.



THOMAS INDUSTRIES, INC.
211 INDUSTRIAL COURT
WABASHA, MN 55981

Phone: (651) 565-3395
Fax: (651) 565-2787
E-mail: info@thomasindustriesinc.com
www.thomasindustriesinc.com

*DATA SUBJECT TO CHANGE WITHOUT NOTICE



**Remember Thomas
Industries for all of
your sheet metal
stamping needs!**



211 INDUSTRIAL COURT
WABASHA, MN 55981

*DATA SUBJECT TO CHANGE WITHOUT NOTICE

Phone: (651) 565-3395
Fax: (651) 565-2787
E-mail: info@thomasindustriesinc.com
www.thomasindustriesinc.com

MOUNTING FEET KITS & 3R PANEL MOUNTING KITS

Type 4/12 Flush Door Enclosure Mounting Feet Kit

- Kit contains four mounting feet, sealing washers, and all hardware required to maintain type 4/12 rating.

4/12 Mounting Feet Kit Catalog Number	Description
MFK4/12	Mounting feet kit for 4/12 enclosures

3R Mounting Feet Kit

- Kit contains mounting feet and all required hardware.

3R Mounting Feet Kit Catalog Number	Overall Foot Width	Material Gauge	Hole Spacing
MFK3R-002	6.00"	14	5.00"
MFK3R-013	14.00"	12	13.00"

3R Panel Mounting Kit

- Kit contains all hardware necessary to mount optional back panel.

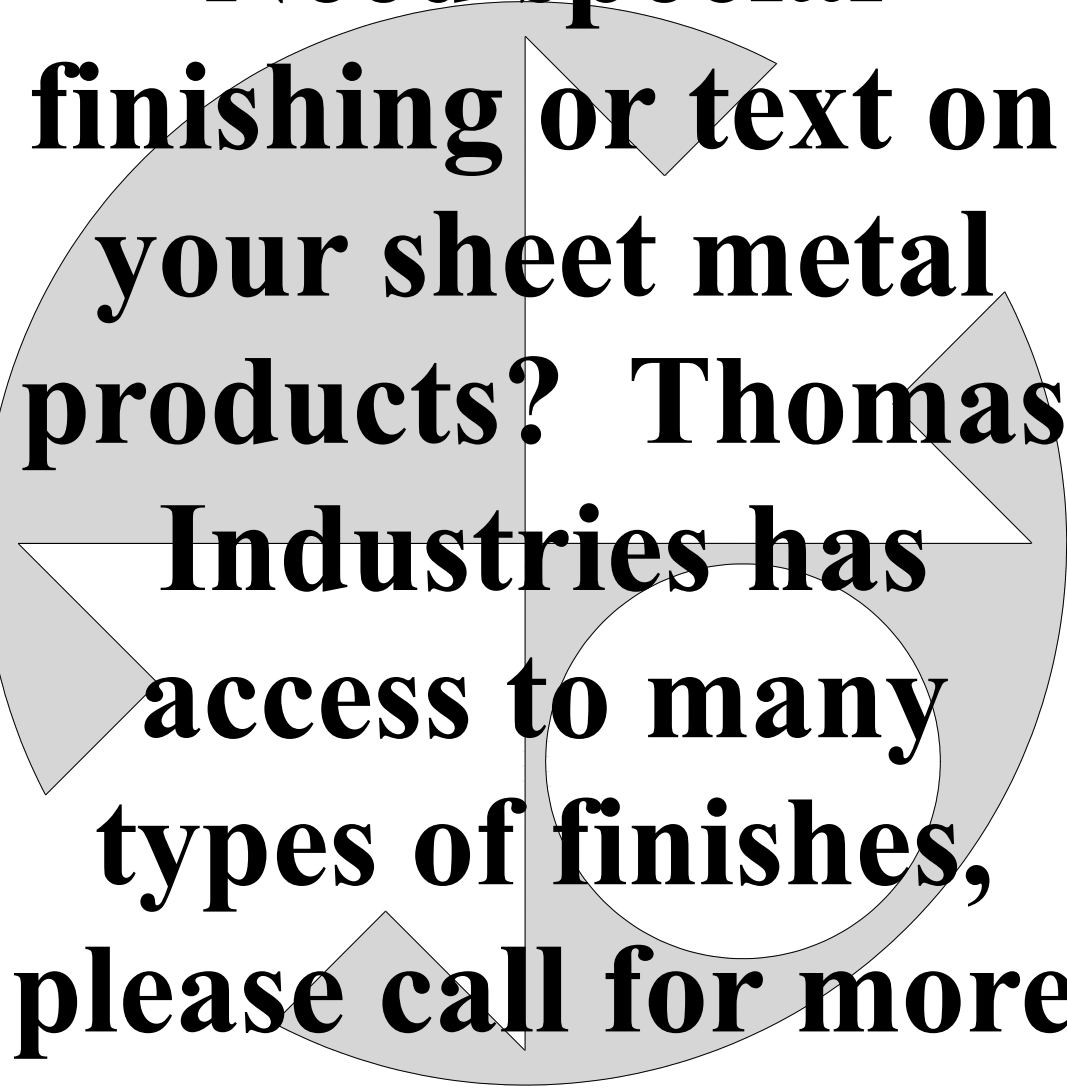
3R Panel Mounting Kit Catalog Number	Description
PMK3R-16	Panel Mounting Kit for 16 gauge 3R enclosures
PMK3R-14	Panel Mounting Kit for 14 gauge 3R enclosures



211 INDUSTRIAL COURT
WABASHA, MN 55981

*DATA SUBJECT TO CHANGE WITHOUT NOTICE

Phone: (651) 565-3395
Fax: (651) 565-2787
E-mail: info@thomasindustriesinc.com
www.thomasindustriesinc.com



**Need special
finishing or text on
your sheet metal
products? Thomas
Industries has
access to many
types of finishes,
please call for more
details!**



211 INDUSTRIAL COURT
WABASHA, MN 55981

*DATA SUBJECT TO CHANGE WITHOUT NOTICE

Phone: (651) 565-3395
Fax: (651) 565-2787
E-mail: info@thomasindustriesinc.com
www.thomasindustriesinc.com

Definitions Pertaining to Non-Hazardous Locations

Type 1 Enclosures constructed for indoor use to provide a degree of protection to personnel against incidental contact with the enclosed equipment, and to provide a degree of protection against falling dirt. NEMA 250-1997

Type 2 Enclosures constructed for indoor use to provide a degree of protection to personnel against incidental contact with the enclosed equipment, to provide a degree of protection against dripping and light splashing of liquids. NEMA 250-1997

Type 3R Enclosures constructed for either indoor or outdoor use to provide a degree of protection to personnel against incidental contact with the enclosed equipment; to provide a degree of protection against falling dirt, rain, sleet, snow; and that will be undamaged by the external formation of ice on the enclosure. NEMA 250-1997

Type 4 Enclosures constructed for either indoor or outdoor use to provide a degree of protection to personnel against incidental contact with the enclosed equipment; to provide a degree of protection against falling dirt, rain, sleet, snow, windblown dust, splashing water, and hose-directed water; and that will be undamaged by the external formation of ice on the enclosure. NEMA -250 1997

Type 4X Enclosures constructed for either indoor or outdoor use to provide a degree of protection to personnel against incidental contact with the enclosed equipment; to provide a degree of protection against falling dirt, rain, sleet, snow, windblown dust, splashing water, hose-directed water; and corrosion; and that will be undamaged by the external formation of ice on the enclosure. NEMA -250 1997

Type 12 Enclosures constructed (without knockouts) for indoor use to provide a degree of protection to personnel against incidental contact with the enclosed equipment; to provide a degree of protection against falling dirt; against circulating dust, lint and fiber flyings; and against dripping and light splashing of liquids. NEMA -250 1997

Type 13 Enclosures constructed for indoor use to provide a degree of protection to personnel against incidental contact with the enclosed equipment; to provide a degree of protection against falling dirt; against circulating dust, lint and fiber flyings; and against spraying splashing, and seepage of water, oil and noncorrosive coolants. NEMA -250 1997



211 INDUSTRIAL COURT
WABASHA, MN 55981

*DATA SUBJECT TO CHANGE WITHOUT NOTICE

Phone: (651) 565-3395
Fax: (651) 565-2787
E-mail: info@thomasindustriesinc.com
www.thomasindustriesinc.com

