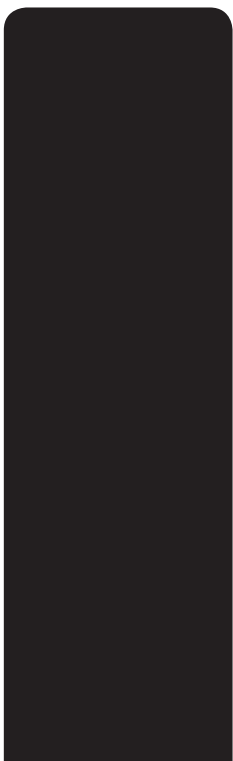
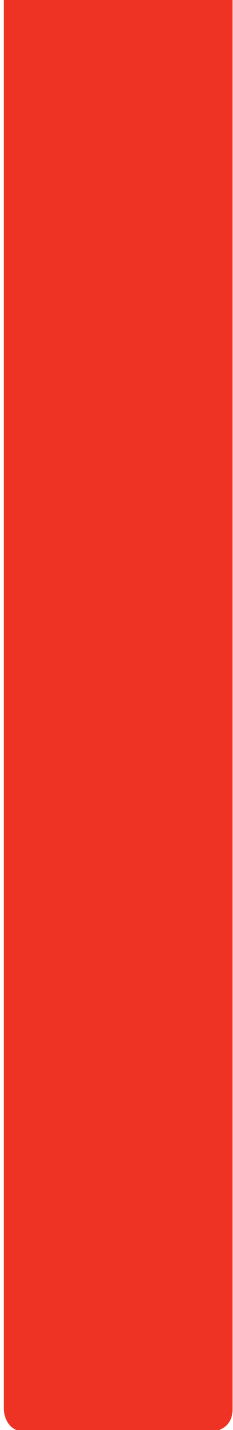


General Catalogue 15



tekpan[®]

INDUSTRIAL ENCLOSURES & CABINETS

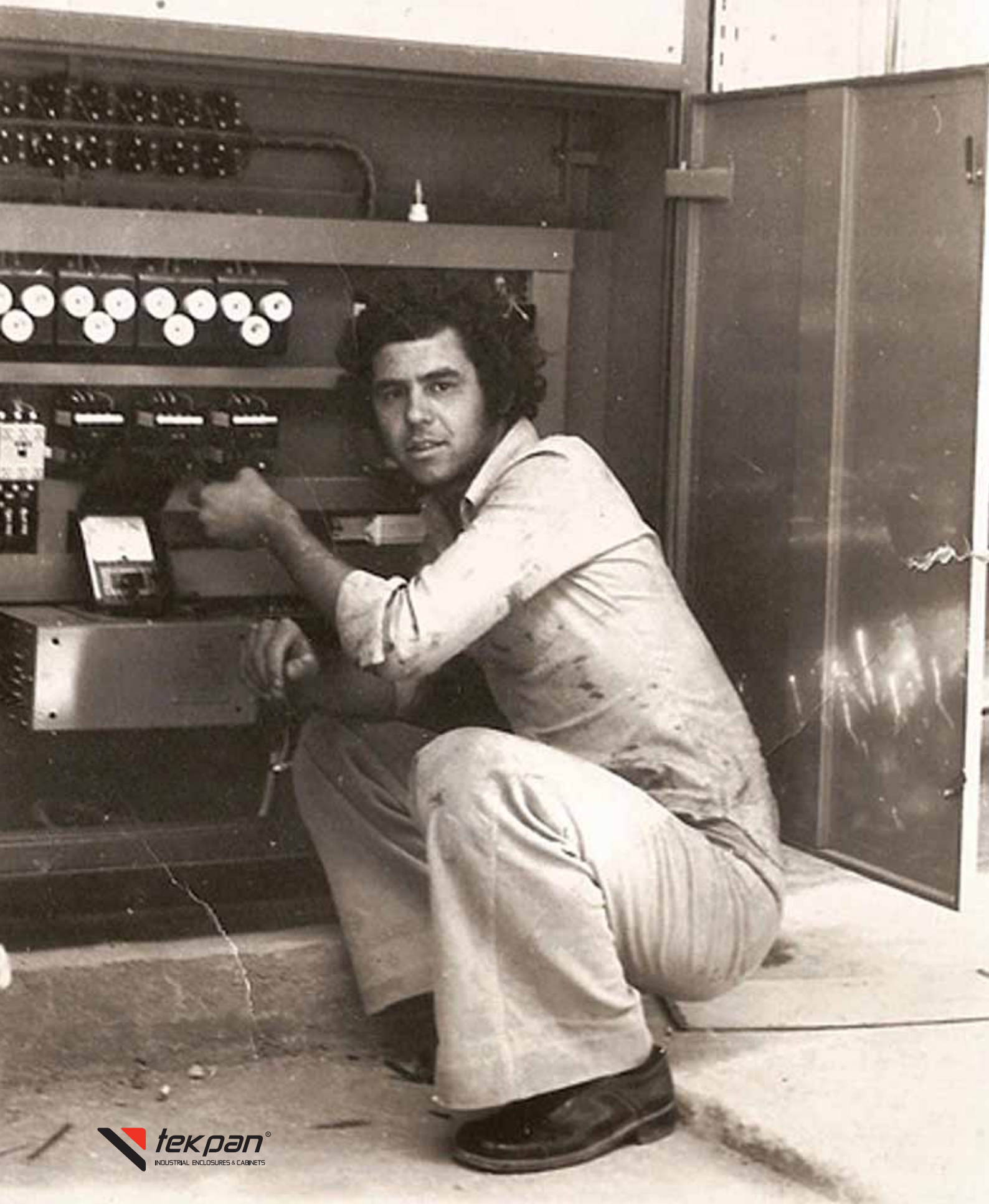
AUTOMATION and CONTROL SYSTEMS



*LOW VOLTAGE POWER
DISTRIBUTION
SYSTEMS*



1976 Company Founder; Davut Yanik



1977 Company Founder; Ahmet YANIK



INNOVATIVE

SECURE

SINCERE



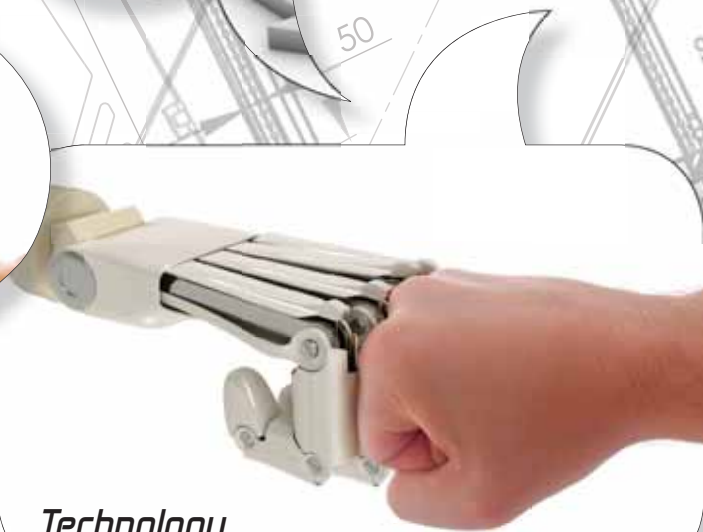
Future



Green Environment



Technology



Human and Equipment Safety



Time Saving



INNOVATIVE
SECURE
SINCERE





Equipment Safety Against to Powder and Water



Safety Against to Fire



**SEISMIC
TESTED**

*Endurance
Against to Earthquake*

INNOVATIVE

SECURE

SINCERE



We have no employee department; we have human resource department.

We have no sales department; we have customer relation department.





COMPACT WALL MOUNTED ENCLOSURES 12-31



TEOS FLOOR STANDING ENCLOSURE 32-109



DT FLOOR STANDING ENCLOSURE 110-131



CONTROL CONSOLES 132-141



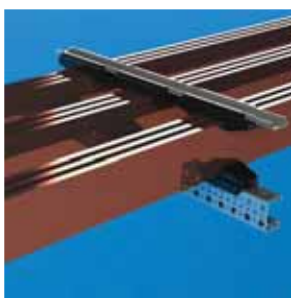
STAINLESS STEEL ENCLOSURES 142-151



OUTDOOR CABINETS 152-157



NETWORKING RACK CABINETS 158-159



BUSBAR SUPPORTS and BUSBARS 160-181



ENCLOSURE AIR-CONDITIONING (COOLING) ... 182-195



AUTOMATIC FIRE EXTINGUISHING SYSTEM 196-201



GENERAL ACCESSORIES 202-215

TECHNICAL DRAWINGS 216-243

TECHNICAL SPECIFICATIONS 244-248

PAGE INDEX 249

COMPACT ENCLOSURES



KT TERMINAL BOXES See page 14-15



DM WALL MOUNTED ENCLOSURES See page 16-17



ARES WALL MOUNTED ENCLOSURES See page 18-31



KT TERMINAL BOXES



Material : Body, door: 1, 20 mm mild steel + RAL 7035 coating

IP Protection : IP 66

Supply Includes : 1 body, 1 door, 4 wall brackets and assembly parts.

▼ The body structure is completely welded, water- and dust-resistant, and designed with a sealing foam gasket.

▼ Stainless steel 304 (1.4301) Please see page 146 for quality executions.

▼ Please see page 216 for technical drawings.



Mounting Plate Application

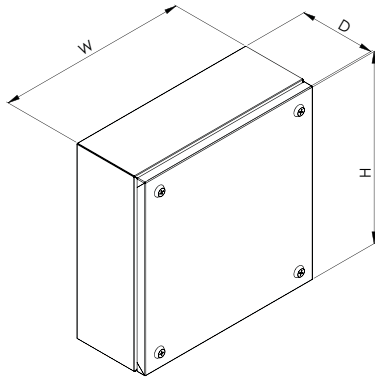
▼ For selection sheet see page 15



Wall Bracket

▼ Included in the product as standard

KT TERMINAL BOXES



ENCLOSURE SIZE (mm)			REFERENCE NO.
WIDTH (W)	HEIGHT(H)	DEPTH(D)	
200	200	120	312.212
300	200	120	313.212
300	300	120	313.312
400	200	120	314.212
400	300	120	314.312
400	400	120	314.412
500	200	120	315.212
500	300	120	315.312
600	200	120	316.212
600	300	120	316.312
600	400	120	316.412

KT MOUNTING PLATE



KT ENCLOSURE SIZE (mm)		MOUNTING PLATE
WIDTH(W)	HEIGHT(H)	REFERENCE NO
200	200	942.122
300	200	942.132
300	300	942.133
400	200	942.142
400	300	942.143
400	400	942.144
500	200	942.152
500	300	942.153
600	200	942.162
600	300	942.163
600	400	942.164

Material : 2.00 mm galvanized steel

Supply Includes : 1 mounting plate and assembly parts.

DM WALL-MOUNTED ENCLOSURES



Material : Body : 1,20 - 1,50 mm mild steel + RAL 7035 coating.
 Door : 1,20-1,50 mild steel + RAL 7035 coating.
 Mounting plate : 2,00 mm galvanized steel

IP Protection : Single-door : IP 65
 Double-door : IP 55

Supply includes : 1 pcs body, 1 pcs door, 1 pcs mounting plate,
 1 pcs knitted earthing cable, 4 pcs wall bracket.

▼ Please see page 217-220 for technical drawings.

▼ DM series serve users in machine industries, automation and control systems.

▼ The body structure is completely welded, water- and dust-resistant, and designed with a sealing foam gasket.

▼ Glaze applications can be performed upon request and the series is under UL certification.

▼ Stainless steel 304 (1,4301) please see page 147 for the quality application



Gland Plate Structure



Wall Bracket

▼ Included in the product as standard



Plastic Gland Plate

▼ See page 17 for the option table



Inner Door Rail

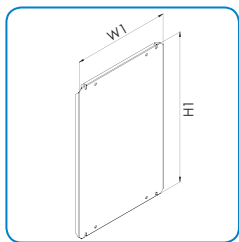


Earthing Cable

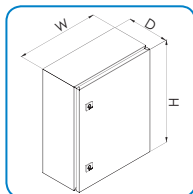
▼ Included in the product as standard



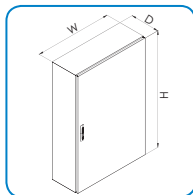
DM WALL MOUNTED ENCLOSURES



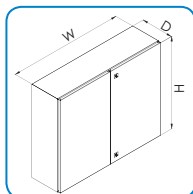
Mounting Plate



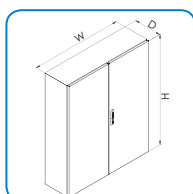
Version 1



Version 2



Version 3

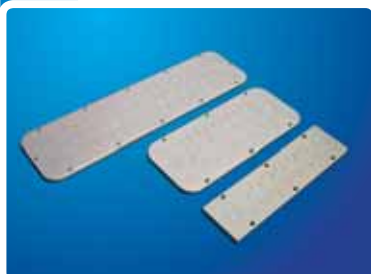


Version 4

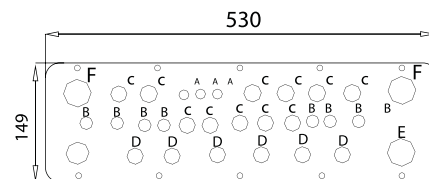
DM ENCLOSURE SIZES (mm)						Mounting Plate(mm)	
WIDTH(W)	HEIGHT(H)	DEPTH(D)	REFERENCE NO.	VERSION	LOCK QTY.	W1	H1
200	300	150	212.315	1	1	150	240
300	300	200	213.320	1	1	250	240
300	400	150	213.415	1	1	250	340
300	400	200	213.420	1	1	250	340
400	300	200	214.320	1	1	350	240
400	400	200	214.420	1	1	350	340
400	500	200	214.520	1	2	350	440
400	600	200	214.620	1	2	350	540
400	600	280	214.630	1	2	350	540
500	500	200	215.520	1	2	450	440
500	500	280	215.530	1	2	450	440
500	600	200	215.620	1	2	450	540
500	700	200	215.720	1	2	450	640
500	700	280	215.730	1	2	450	640
600	400	200	216.420	1	1	550	340
600	400	280	216.430	1	1	550	340
600	600	200	216.620	1	2	550	540
600	600	280	216.630	1	2	550	540
600	800	200	216.820	1	2	550	740
600	800	280	216.830	1	2	550	740
600	1000	280	216.030	1	2	550	940
600	1150	280	216.230	2	---	550	1090
800	800	200	218.820	1	2	750	740
800	800	280	218.830	1	2	750	740
800	1000	280	218.030	1	2	750	940
800	1150	280	218.230	2	---	750	1090
1000	800	200	210.820	3	---	950	740
1000	800	280	210.830	3	---	950	740
1000	1000	280	210.030	3	---	950	940
1000	1150	280	210.230	4	---	950	1090

DM ENC.	REQUIRED	REFERENCE NO
214,320	1	924.200
214,420	1	924.200
214,520	1	924.200
214,620	1	924.200
215,520	1	924.200
215,620	1	924.200
215,720	1	924.200
214,630	1	924.300
215,530	1	924.300
215,730	1	924.300
210,820	2	924.300
210,830	2	924.300
210,030	2	924.300
210,230	2	924.300
216,420	1	924.400
216,430	1	924.400
216,620	1	924.400
216,630	1	924.400
216,820	1	924.400
216,830	1	924.400
216,030	1	924.400
216,230	1	924.400
218,820	1	924.400
218,830	1	924.400
218,030	1	924.400
218,230	1	924.400

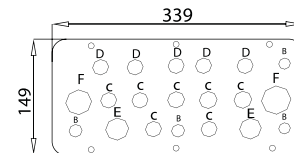
PLASTIC GLAND PLATE



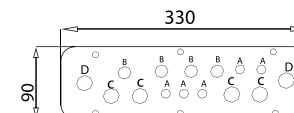
Material : ABS Plastic
 IP Protection : IP 65
 Supply Includes : 1 pc plastic gland plate



PK 924.400



PK 924.300



PK 924.200

A=PG11
 B=PG13,5
 C=PG16
 D=PG21
 E=PG29
 F=PG36

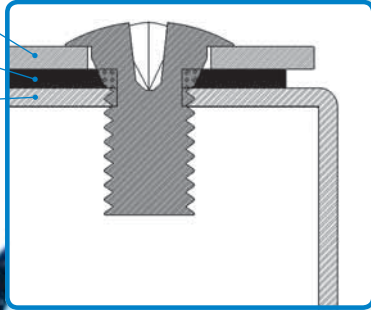




bottom-top lids

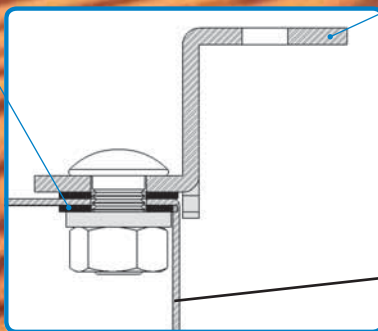
3mm gasket

Enclosure Body



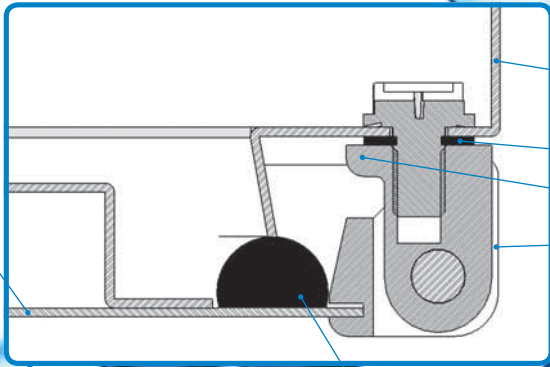
isolation gasket

wall bracket



enclosure body

Door

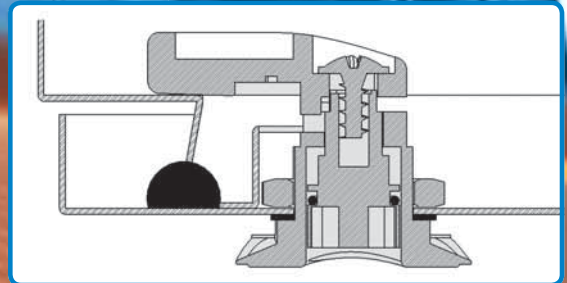


Enclosure Body

Isolation gasket

180° Hinge

Poliüretan Köpük Conta



▶ 500 hours of foggy salt resistance test

▶ Homogeneous coating dispersion

70-90 µm epoxy polyester powder coating

8-10 µm phosphate

Material



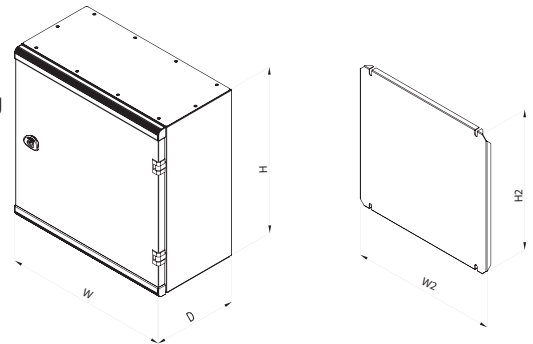


Material : Enclosure and parts, door : 1,00 - 1,50 mm mild steel
 Mounting plate : 1,50 – 2,00 galvanized steel

Surface Process : Mild Steel Parts : Iron-phosphate plated, RAL7035
 Rough Epoxy, polyester powder-coating
 Mounting Plate : galvanized

Protection Category : IP 66, (EN 60 529)

Supply Includes : Enclosure body, bottom-top lid, enclosure front door,
 2 pcs support rail placed in the door, door key, mounting plate



▶ Please see page 221 for technical drawings.

ENCLOSURE SIZES (mm)

WIDTH (W)	HEIGHT (H)	DEPTH (D)	ARES REF. NO.	W2 (mm)	H2 (mm)	LOCK	HINGE	WEIGHT (kg)
300	400	150	101.250	249	334	1	2	5,5
300	400	200	101.251	249	334	1	2	6,0
400	400	200	101.252	349	334	1	2	7,5
400	500	200	101.253	349	343	1	2	9,0
400	600	200	101.254	349	534	2	2	10,5
400	600	280	101.255	349	534	2	2	11,8
500	500	200	101.265	449	434	2	2	11,4
500	500	280	101.266	449	434	2	2	13,4
500	600	200	101.256	449	534	2	2	13,1
500	700	200	101.257	449	634	2	2	14,9
500	700	280	101.258	449	634	2	2	16,5
600	800	200	101.259	549	734	2	2	19,5
600	800	280	101.260	549	734	2	2	21,3
600	1000	280	101.261	549	934	2	3	34,1
600	1150	280	101.262	549	1084	3	3	36,4
800	800	200	101.267	749	734	2	2	24,6
800	800	280	101.268	749	734	2	2	27,9
800	1000	280	101.263	749	934	2	3	40,7
800	1150	280	101.264	749	1084	3	3	46,1



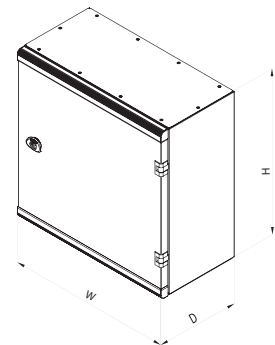
Material : Enclosure and parts, door: 1,00 – 1,50 mm mild steel

Surface Process : Mild Steel Parts : Iron-phosphate plated, RAL7035 Rough Epoxy, polyester powder-coating

Protection Category: IP 66, (EN 60 529)

Supply Includes : Enclosure body, bottom-top enclosure lids, front enclosure door, 2 pcs door support rail, door key.

▼ Please see page 221 for technical drawings.



ENCLOSURE SIZES (mm)

WIDTH (W)	HEIGHT (H)	DEPTH (D)	ARES REF. NO.	LOCK	HINGE	WEIGHT (kg)
300	400	150	101.350	1	2	4,4
300	400	200	101.351	1	2	4,9
400	400	200	101.352	1	2	6,0
400	500	200	101.353	1	2	7,0
400	600	200	101.354	2	2	8,1
400	600	280	101.355	2	2	9,4
500	600	200	101.356	2	2	10,0
500	700	200	101.357	2	2	11,3
500	700	280	101.358	2	2	12,9
600	800	200	101.359	2	2	14,4
600	800	280	101.360	2	2	16,2
600	1000	280	101.361	2	3	23,6
600	1150	280	101.362	3	3	26,6
800	1000	280	101.363	2	3	29,2
800	1150	280	101.364	3	3	32,8

COMPACT ENCLOSURES

ares GLAZED DOOR with MOUNTING PLATE



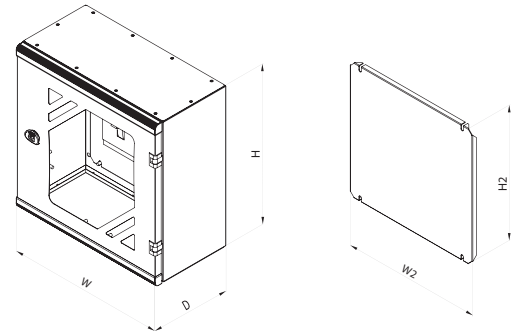
Material : Enclosure and parts, door : 1,00-1,50 mm mild steel
 Mounting plate : 1,50 – 2,00 Galvanized steel

Surface Process : Mild steel parts : Iron-phosphate plated, RAL7035
 : Rough Epoxy, polyester powder-coating
 Mounting plate : Galvanized

Protection Category : IP 55, (EN 60 529)

Supply Includes : Enclosure body, bottom-top lid, front enclosure door,
 2 pcs door support rail, door key.

▶ Please see page 221 for technical drawings.



ENCLOSURE SIZES (mm)

WIDTH (W)	HEIGHT (H)	DEPTH (D)	ARES REF. NO.	W2 (mm)	H2 (mm)	LOCK	HINGE	WEIGHT (kg)
400	500	200	101.453	349	434	1	2	8,8
400	600	200	101.454	349	534	2	2	10,2
400	600	280	101.455	349	534	2	2	11,5
500	600	200	101.456	449	534	2	2	12,2
500	700	200	101.457	449	634	2	2	13,9
500	700	280	101.458	449	634	2	2	15,5
600	800	200	101.459	549	734	2	2	18,0
600	800	280	101.460	549	734	2	2	19,8
600	1000	280	101.461	549	934	2	3	31,5
600	1150	280	101.462	549	1084	3	3	33,1
800	1000	280	101.463	749	934	2	3	36,5
800	1150	280	101.464	749	1084	3	3	41,2



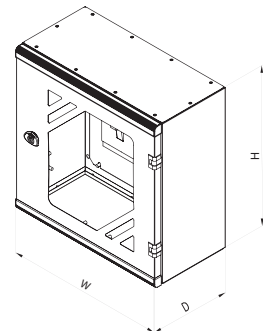
Material : Enclosure and parts, door :1,00- 1,50 mm mild steel

Surface Process: : Mild steel parts : Iron-phosphate plated, RAL7035 Rough Epoxy, polyester powder-coating

Protection Category : IP 55, (EN 60 529)

Supply Includes : Enclosure body, bottom-top lid, enclosure front door, 2 pcs door support rail, door key

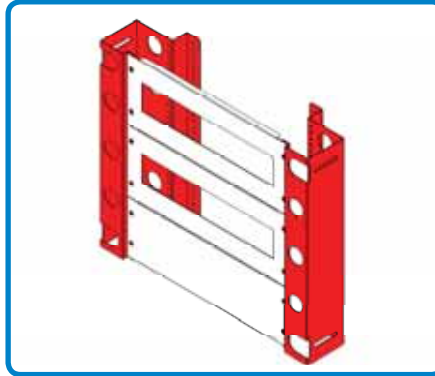
▼ Please see page 221 for technical drawings.



ENCLOSURE SIZES (mm)

WIDTH (W)	HEIGHT (H)	DEPTH (D)	ARES REF. NO.	LOCK	HINGE	WEIGHT (kg)
400	500	200	101.553	1	2	6.8
400	600	200	101.554	2	2	7.8
400	600	280	101.555	2	2	9.1
500	600	200	101.556	2	2	9.2
500	700	200	101.557	2	2	10.3
500	700	280	101.558	2	2	11.9
600	800	200	101.559	2	2	12.9
600	800	280	101.560	2	2	14.7
600	1000	280	101.561	2	3	21,0
600	1150	280	101.562	3	3	23.3
800	1000	280	101.563	2	3	25,0
800	1150	280	101.564	3	3	27.9

MAIN INTERIOR SUPPORT RAILS

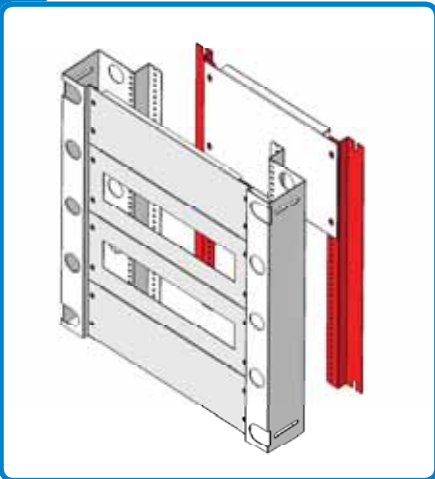


Material : Mild steel,
RAL7035 powder-coating.

Supply includes: 2 pcs support rails
and assembly parts.

ENCLOSURE		
HEIGHT (H)	REF. NO.	VERTICAL PROFILE HEIGHT (mm)
400	943.801	340
500	943.802	440
600	943.803	540
700	943.804	640
800	943.805	740
1000	943.806	940
1150	943.807	1090

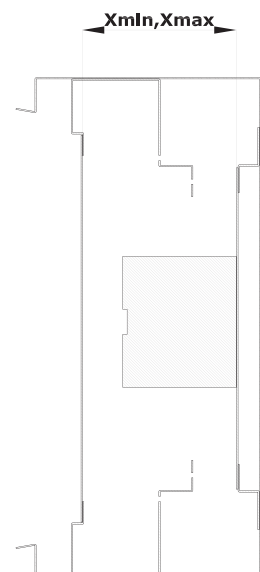
INTERIOR MOUNTING RAILS



Material : Mild steel, RAL7035 powder-coating.

Supply includes : 2 pcs rails and assembly parts.

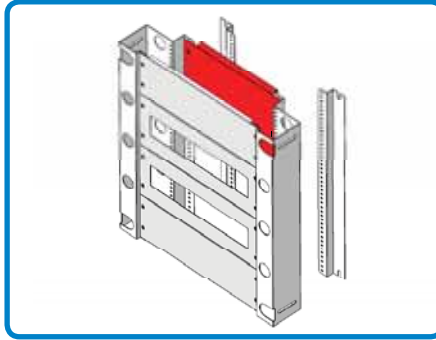
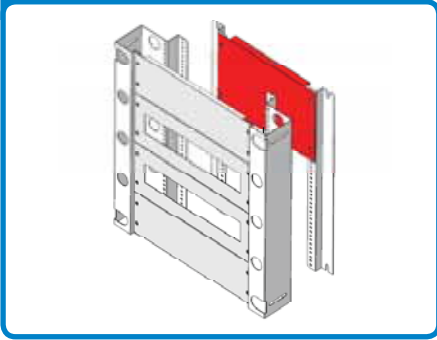
ENCLOSURE	
HEIGHT (H)	REF. NO.
400	943.810
500	943.811
600	943.812
700	943.813
800	943.814
1000	943.815
1150	943.816



X min. Depth 200 mm : 93 mm
Depth 280 mm : 173 mm

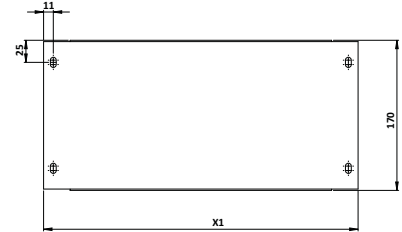
X max. Depth 200 mm : 183 mm
Depth 280 mm : 213 mm

INTERIOR MOUNTING PLATE



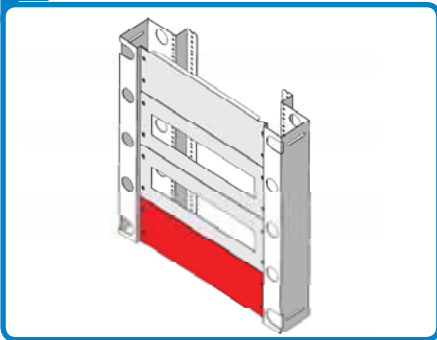
Material : Galvanized steel

Supply includes : 1 pcs mounting plate and assembly parts



ENCLOSURE		
WIDTH	X1 mm	REF. NO.
300	156	944.406
400	256	944.402
500	356	944.403
600	456	944.404
800	656	944.405

INTERIOR COVER PLATES



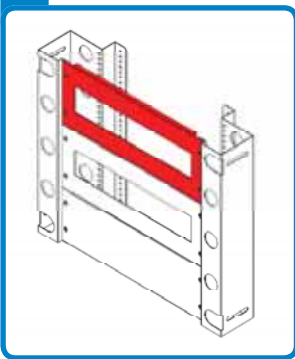
Material : Mild steel,
RAL 7035 powder-coating.

Supply includes :
1 pc plate and assembly parts



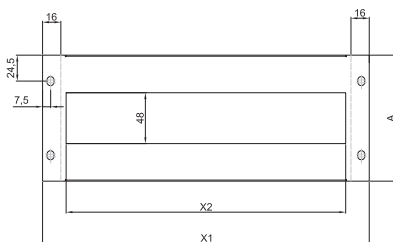
ENCLOSURE			
WIDTH	A (mm)	X1 mm	REF. NO.
300	80	208	943.870
	100	208	943.820
	120	208	943.821
400	160	208	943.822
	80	308	943.871
	100	308	943.823
500	120	308	943.824
	160	308	943.825
	200	308	943.872
600	80	408	943.873
	100	408	943.826
	120	408	943.827
800	160	408	943.828
	200	408	943.874
	80	508	943.875
400	100	508	943.829
	120	508	943.830
	160	508	943.831
500	200	508	943.876
	80	708	943.877
	100	708	943.832
600	120	708	943.833
	160	708	943.834
	200	708	943.878

INTERIOR COVER PLATE FOR MCB



Material : Mild steel,
RAL 7035 powder-coating.

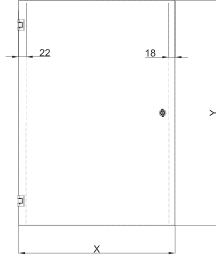
Supply includes :
1 pc plate and assembly parts



ENCLOSURE					
WIDTH	A (mm)	X1 mm	X2	SWITCH CAP.	REF. NO.
300	120	208,5	163	9	943.835
	160	208,5	163	9	943.836
400	120	308,5	253	14	943.837
	160	308,5	253	14	943.838
500	120	408,5	361	20	943.839
	160	408,5	361	20	943.840
600	120	508,5	469	26	943.841
	160	508,5	469	26	943.842
800	120	708,5	667	37	943.843
	160	708,5	667	37	943.844

INTERIOR DOOR SYSTEME

SOLID INTERIOR DOOR



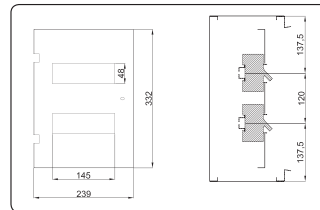
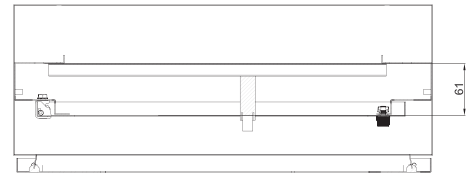
ENCLOSURE				
WIDTH (W)	HEIGHT (H)	X(mm)	Y(mm)	REF. NO.
300	400	239	232	943.845
400	400	339	232	943.846
	500	339	432	943.847
	600	339	532	943.848
500	600	439	532	943.849
	700	439	632	943.850
600	800	539	732	943.851
	1000	539	932	943.852
	1150	539	1082	943.853
800	1000	739	932	943.854
	1150	739	1082	943.855

INTERIOR DOOR FOR MCB

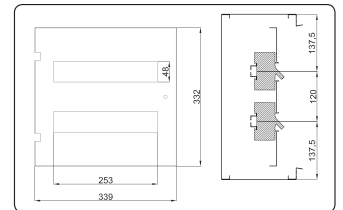


Material : Mild steel, RAL7035 powder-coating

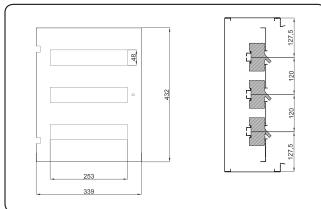
Supply includes :
1 pcs hinged, locked interior door and support rails.



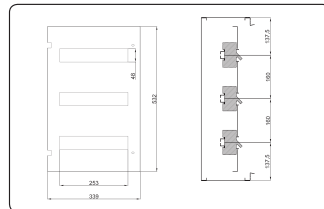
Enclosure W300 x H400 mm
Ref. No.: **943.856**



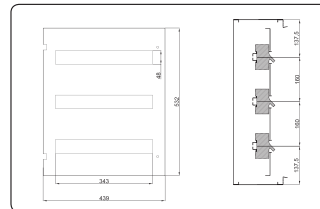
Enclosure W400 x H400 mm
Ref. No.: **943.857**



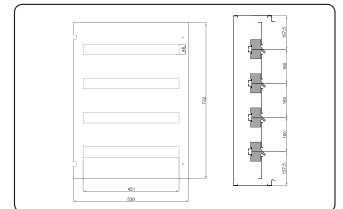
Enclosure W400 x H500 mm
Ref. No.: **943.858**



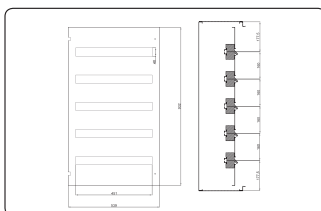
Enclosure W400 x H600 mm
Ref. No.: **943.859**



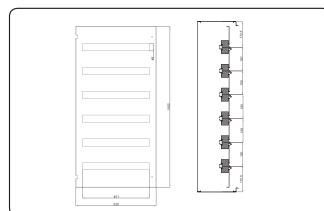
Enclosure W500 x H600 mm
Ref. No.: **943.860**



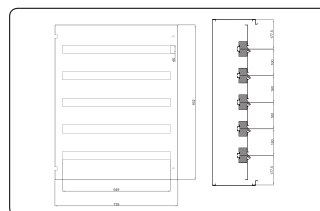
Enclosure W600 x H800 mm
Ref. No.: **943.862**



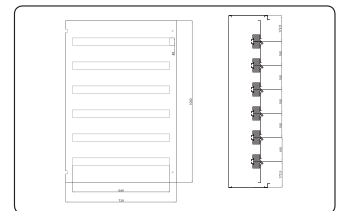
Enclosure W600 x H1000 mm
Ref. No.: **943.863**



Enclosure W600 x H1150 mm
Ref. No.: **943.864**



Enclosure W800 x H1000 mm
Ref. No.: **943.865**



Enclosure W800 x H1150 mm
Ref. No.: **943.866**

19" SWING FRAME



Material : Mild steel, RAL7035 powder-coating.

Supply includes : 1 pcs hinged, locked swing frame and support rails.

ENCLOSURE			
WIDTH	HEIGHT	U	REF. NO.
600	800	14	943.867
600	1000	18	943.868
600	1150	22	943.869

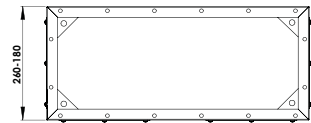
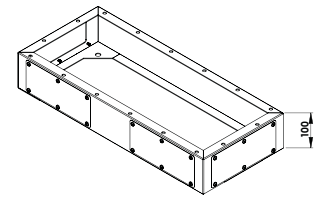
ARES PLINTH



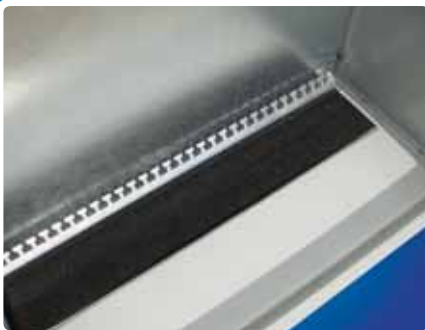
Material : Mild Steel, RAL 7035 powder coating

Supply includes : 1 pcs plinth, lids and assembly parts

ENCLOSURE		
WIDTH	DEPTH	REF. NO.
500	200	915.106
500	280	915.107
600	200	915.108
600	280	915.109
800	280	915.110



GLAND PLATE WITH FORM ISOLATION



Material : Mild Steel,
RAL 7035 powder coating
and EPDM foam gasket

Supply includes : Gland plate, press part
and gasket

ENCLOSURE		
WIDTH	DEPTH	REF. NO.
500	200	925.101
500	280	925.102
600	200	925.103
600	280	925.104
800	280	925.105

CABLE CLAMP RAIL

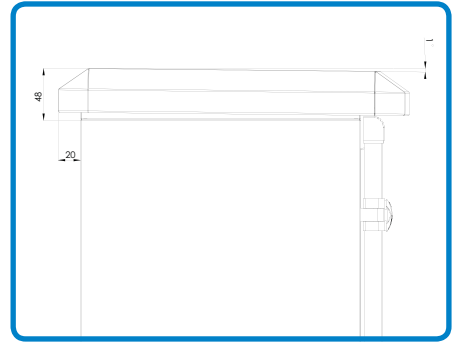
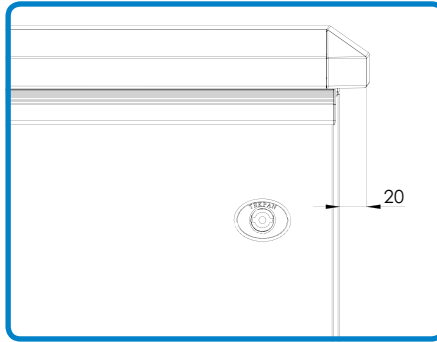


Material : Galvanized Steel

Supply includes : 1 pcs rail and assembly parts

ENCLOSURE	
WIDTH	REF. NO.
500	997.121
600	997.122
800	997.123

RAIN CANOPY

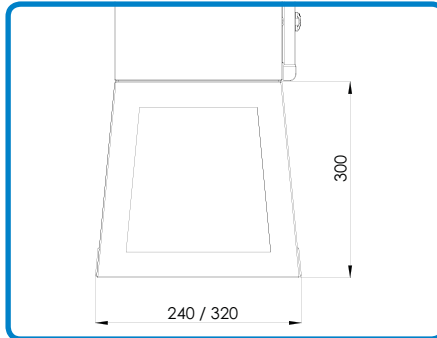


ENCLOSURE		
WIDTH	DEPTH	REF. NO.
300	200	934.101
400	200	934.102
	280	934.103
500	200	934.104
	280	934.105
600	200	934.106
	280	934.107
800	280	934.108

Material : Galvanized steel, RAL 7035 powder-coating

Supply includes : Rain canopy, special assembly plate and assembly parts.

PLINTH FOR OUTDOOR USE



ENCLOSURE		
WIDTH	DEPTH	REF. NO.
500	200	915.101
500	280	915.102
600	200	915.103
600	280	915.104
800	280	915.105

Material : Galvanized steel, RAL 7035 powder-coating

Supply includes : 1 pcs outdoor plinth and assembly parts

DOOR RAIL (For Mounting Cable Duct)



Material : Galvanized steel

Supply includes : 1 pcs door rail and assembly parts

ENCLOSURE	
WIDTH	REF. NO.
400	997.201
500	997.203
600	997.204
800	997.205

KNITTED EARTHING CABLE



Length : 260 mm
 Quantity : 10
 Ref.No : 991.201
 ▼ Assembly screws are not included.

MCB RAIL (H15)



Length : 2 m
 Quantity : 1
 Ref.No : 990.100

LAMP RAIL

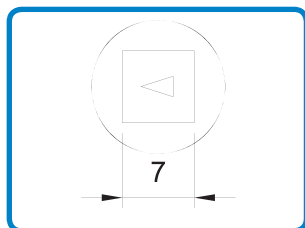


Length : 2 m
 Quantity : 1 pcs, screws
 Ref.No : 903.151

SPECIAL LOCK INSERTS



TRIANGLE INSERT
 Quantity : 1
 Ref.No : 951.211



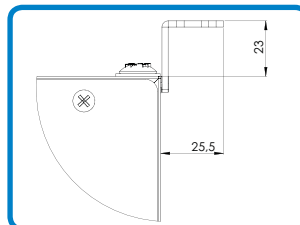
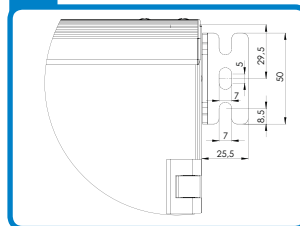
SQUARE INSERT
 Quantity : 1
 Ref.No : 951.212

HANDLE LOCK



Quantity : 1
 Ref.No : 951.205

WALL BRACKET



Quantity : 4 pcs, screws and gaskets
 Ref.No : 971.100

MCB BLANK PLATE



Length : 175 mm
 Quantity : 1
 Ref.No : 990.101

LAMP 230V – 8W

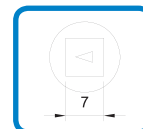


Ref.No : 901.100

SPECIAL KEYS



Ref.No : 952.200



Ref.No : 952.201

SPARE PARTS



M5x10 SELF TAPPING SCREW
 Quantity : 100
 Ref.No : 993.105



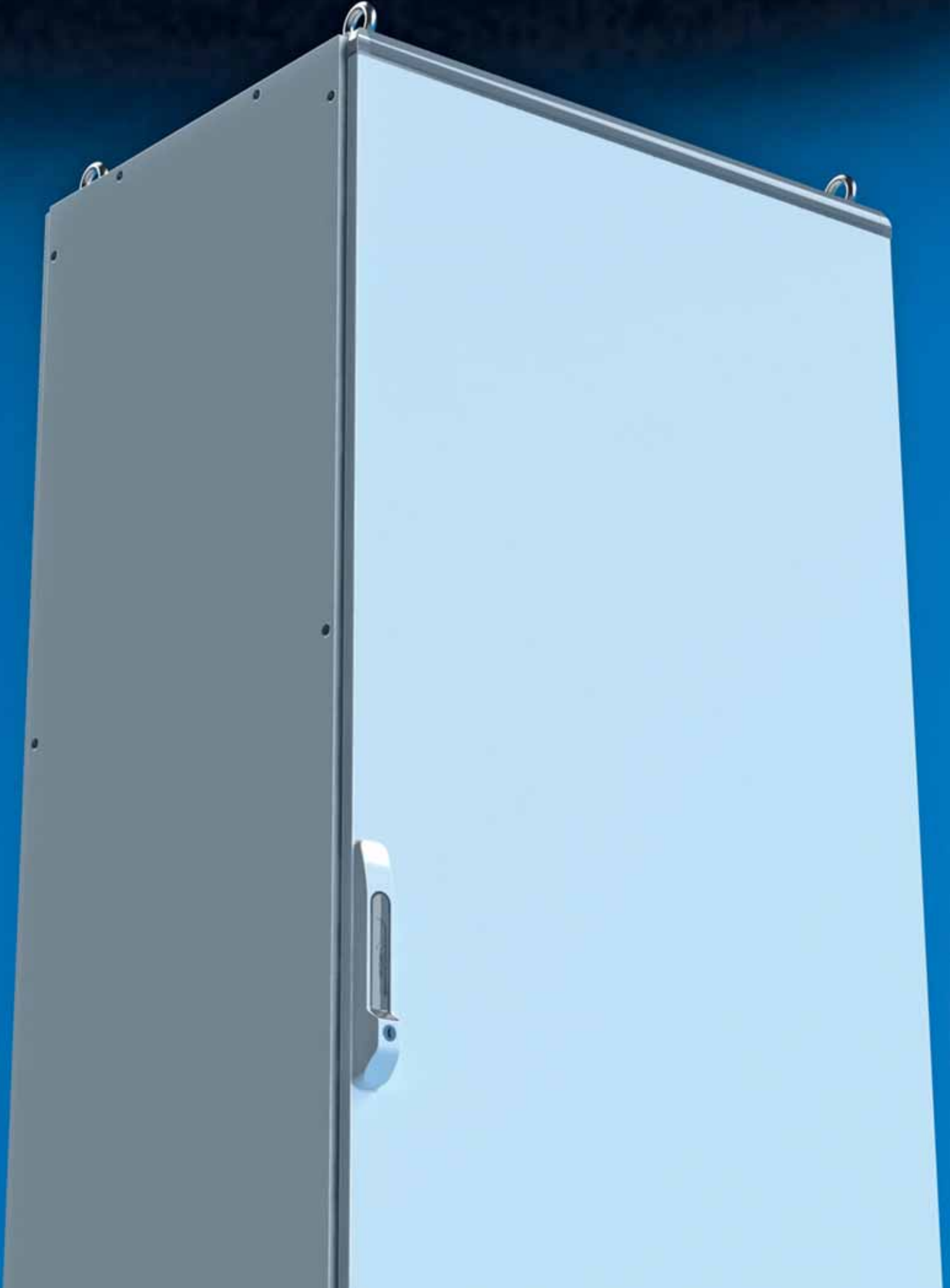
DOUBLEBIT KEY
 Quantity : 1
 Ref.No : 952.100

SEISMIC
TESTED

IP65

PGT

UL[®] US





TEOS plus+

VALID CERTIFICATE IN THE USA AND CANADA

CERTIFICATE OF COMPLIANCE

Certificate Number 20120920-E352599
Report Reference E352599-20120920
Issue Date 2012-SEPTEMBER-20

Issued to: TEKPAN - TEKNİK ELEKTRİK KUMANDA PANO
SAN VE TURİZM TİCARET LTD STİ
ANKARA ASFALTI 14 KM
İSTİKLAL MH 17 SK NO 8 TURKEY

**This is to certify that
representative samples of**

INDUSTRIAL CONTROL PANELS
Enclosures for Industrial Control Panels, Sheet metal enclosure Series TEOS and DM.


Have been investigated by UL in accordance with the Standard(s) indicated on this Certificate.

Standard(s) for Safety: Industrial Control Panels, UL 508A. Industrial Control Equipment, C22.2 No. 14-10

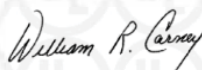
Additional Information: See the UL Online Certifications Directory at www.ul.com/database for additional information

Only those products bearing the UL Listing Mark for the US and Canada should be considered as being covered by UL's Listing and Follow-Up Service meeting the appropriate requirements for US and Canada.

The UL Listing Mark for the US and Canada generally includes: the UL in a circle symbol with "C" and

"US" identifiers:  the word "LISTED"; a control number (may be alphanumeric) assigned by UL; and the product category name (product identifier) as indicated in the appropriate UL Directory.

Look for the UL Listing Mark on the product.



William R. Carney, Director, North American Certification Programs

UL LLC

Any information and documentation involving UL Mark services are provided on behalf of UL LLC (UL) or any authorized licensee of UL. For questions, please contact a local UL Customer Service Representative at www.ul.com/contactus



SEISMIC (EARTHQUAKE) RESISTANCE TEST REPORT



ZONE 3 SEISMIC (EARTHQUAKE) RESISTANCE TEST REPORT

1. GENERAL DATA

1.1. Customer
TEKPAK TEKNİK ELEKTRİK,
Asiye Aşağı 14. km. İskilip Mh. 17. Sk. No:8
Uludağ Kampüsü / İznik
TURKEY

1.2. Unit under test
The tests were performed on the following unit:
• TEOS plus+ double-door enclosure, with a total mass of 395 kg.

1.3. Manufacturer
TEKPAK TEKNİK ELEKTRİK

1.4. Reference documents
1.4.1. Contract documents
a. Offer PAF/LMC No. OF-AB-041/12 rev 01, dated June 18th, 2012.
b. Order Tekpak dated June 19th, 2012.
1.4.2. Technical documents and standards
1. Teknika Genric Requirement GR-63-CORE, NEBS Requirements: Physical Protection, Issue 1, October 1995;
2. IEC 60068-3-3: Environmental testing - Part 3: Guidance - Seismic test methods for equipment;
3. IEC 60068-2-6: Environmental testing - Part 2: Tests - Test Fc: Vibration (sinusoidal);
4. IEC 60068-2-57: Environmental testing - Part 2: Tests - Test Fc: Vibration - Time-history method;
5. ISO 2041 Vibration and Shock - Vocabulary.

1.5. Test objective
The purpose of the tests were to demonstrate that the unit behave in compliance with the requirements stated in doc II to III referring to a seismic risk classified as Zone 3.

1.6. Tests overall results
At the end of the tests, at a visual inspection, any damages on the unit were detected.

1.7. Testing laboratory

PAF/LMC S.r.l.
via Pantegno, 9
20058 Serate (BG)
ITALY

1.8. Test date
October 17th - 18th - 19th - 22nd, 2012.

1.9. Responsibilities
A. Bonati, test responsible
M. Civera, test engineer
D. Roccaforti, test engineer

2. TESTING PROCEDURES
2.1. General remarks
To perform the tests, three reference directions have been considered for the unit: X (front - rear), Y (side - side) and Z (vertical).
The sequence of the tests for the unit has been:
• Seismic tests, performed in three directions X, Y, Z and consisted in:
- vibration response investigation
- earthquake
- vibration response investigation
All the applied vibrations were monofunctional.
Tests in Z direction were performed on a vertical shaking table moved by an electro-dynamic shaker. For the other excitation directions, a horizontal shaking table was used. Excitation directions are shown in the photographs.
All the performed tests are listed in the table of page from 15. Tests were numbered following the chronological sequence.

2.2. Mounting techniques
For all tests the unit was mounted in its intended operating configuration.
The unit was fixed to the shaking table with No. 12 M14 screws with a tightening torque of 80 Nm.

2.3. Control and measuring positions
During the tests, for the motion control the signal of a monosial accelerometer in the excitation direction (CP1) was used. Moreover two biaxial accelerometers (MP1 and MP2) were placed on the unit for the vibration measurement (see photos). In the table reported below are summarized model and serial number of the transducers mounted in the control and measuring positions during the tests.

Zone3 All Teos series products are within the scope of Zone 3 seismic resistance tests.

Zone3 test was conducted for double-door enclosures of size 1200 widthx2000+100 height and 600 mm depth, and covers all sizes and types of the Teos series.

You can view the complete report on our website.



ZONE 4 SEISMIC (EARTHQUAKE) RESISTANCE TEST REPORT

1. GENERAL DATA

1.1. Customer
TEKPAK TEKNİK ELEKTRİK,
Asiye Aşağı 14. km. İskilip Mh. 17. Sk. No:8
Uludağ Kampüsü / İznik
TURKEY

1.2. Unit under test
The tests were performed on the following unit:
• TEOS Plus+ single-door enclosure, with a total mass of 315 kg.

1.3. Manufacturer
TEKPAK TEKNİK ELEKTRİK

1.4. Reference documents
1.4.1. Contract documents
a. Offer PAF/LMC No. OF-AB-041/12 rev 01, dated June 18th, 2012.
b. Order Tekpak dated June 19th, 2012.
1.4.2. Technical documents and standards
1. Teknika Genric Requirement GR-63-CORE, NEBS Requirements: Physical Protection, Issue 1, October 1995;
2. IEC 60068-3-3: Environmental testing - Part 3: Guidance - Seismic test methods for equipment;
3. IEC 60068-2-6: Environmental testing - Part 2: Tests - Test Fc: Vibration (sinusoidal);
4. IEC 60068-2-57: Environmental testing - Part 2: Tests - Test Fc: Vibration - Time-history method;
5. ISO 2041 Vibration and Shock - Vocabulary.

1.5. Test objective
The purpose of the tests were to demonstrate that the unit behave in compliance with the requirements stated in doc II to III referring to a seismic risk classified as Zone 4.

1.6. Tests overall results
At the end of the tests, at a visual inspection, no damages on the unit were detected.

1.7. Testing laboratory

PAF/LMC S.r.l.
via Pantegno, 9
20058 Serate (BG)
ITALY

1.8. Test date
October 17th - 18th, 2012.

1.9. Responsibilities
A. Bonati, test responsible
M. Civera, test engineer
D. Roccaforti, test engineer

2. TESTING PROCEDURES
2.1. General remarks
To perform the tests, three reference directions have been considered for the unit: X (front - rear), Y (side - side) and Z (vertical).
The sequence of the tests for the unit has been:
• Seismic tests, performed in three directions X, Y, Z and consisted in:
- vibration response investigation
- earthquake
- vibration response investigation
All the applied vibrations were monofunctional.
Tests in Z direction were performed on a vertical shaking table moved by an electro-dynamic shaker. For the other excitation directions, a horizontal shaking table was used. Excitation directions are shown in the photographs.
All the performed tests are listed in the tables of page 15. Tests were numbered following the chronological sequence.

2.2. Mounting techniques
For all tests the unit was mounted in its intended operating configuration.
The unit was fixed to the shaking table with No. 8 M14 screws with a tightening torque of 80 Nm.

2.3. Control and measuring positions
During the tests, for the motion control the signal of a monosial accelerometer in the excitation direction (CP1) was used. Moreover two biaxial accelerometers (MP1 and MP2) were placed on the unit for the vibration measurement (see photos). In the table reported below are summarized model and serial number of the transducers mounted in the control and measuring positions during the tests.

For Zone 4 seismic resistance tests, an enclosure sized 800 width x 2000+100 height x 800 with an extra reinforced interior and welded plinth was used.

The above mentioned size and structure are required for your needs within the scope of Zone 4. Please contact our sales department for your needs.

You can view the complete report on our website.



PG GOST CERTIFICATE

You can view the complete certificate on our website.



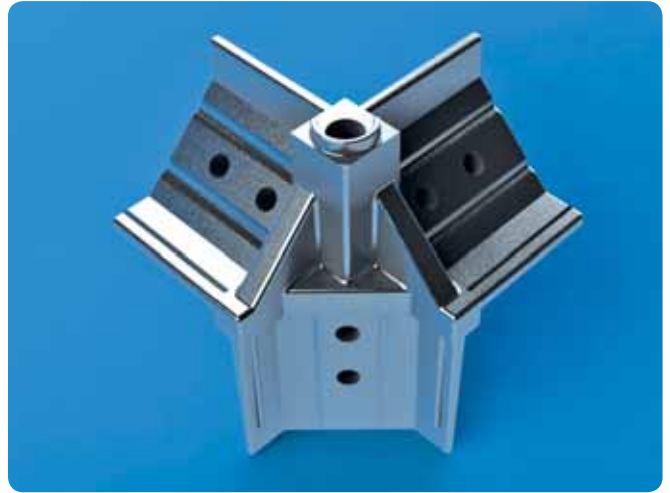
Produced with a closed rail structure, Teos enclosure rails are clamped with a special non-welded clamping system. Their resistance to both vertical and horizontal pressures is extremely high compared to open rail structures. This force enables full resistance for the movement of the installed equipments and resistance in overcurrents.

Turkish Patent No: TR 201009615Y

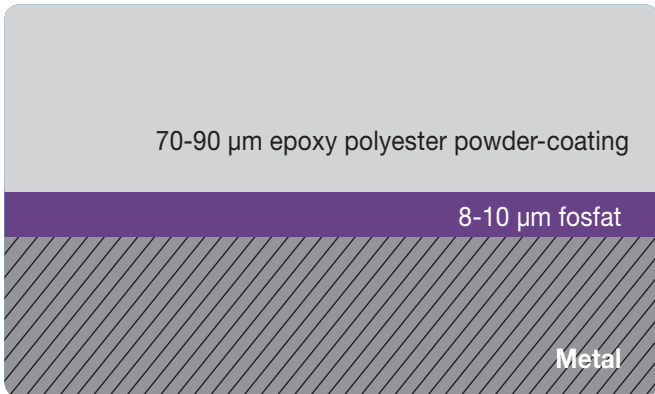




▼ Teos closed frame made by galvanized steel (DIN EN 10142_00 DX51 D+Z) and coated iron-phosphated and powder coated from outside of the surface. Non-powder coated inside surface can not corrode because of the galvanized material style.



▼ Manufactured from aluminum-cast (E-160) material, the rail connection corners do not corrode thanks to their aluminium structure.



▼ All coated parts respectively undergo the automatic processes of washing, phosphating, deionized passivation-drying- coating- firing and are treated with active coating. 500 hour salt test resistance is acquired according to the test results of this process.





- ▶ Placed on the aluminium corner combination, the earthing hooks are tightly mounted on the uncoated inner surface of the rails by means of eroding. Thereby, the earthing continuity is ensured for all rails and their parts.

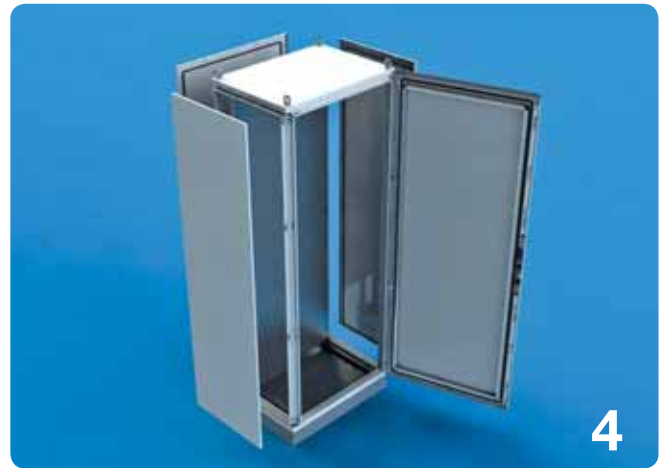
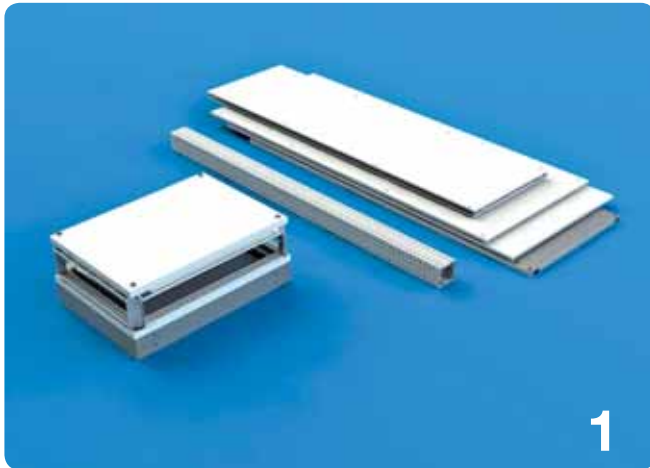


- ▶ Placed on the bottom-top inner parts of the front door, the earthing screw increases conductive surface. Thereby, the front door is more efficiently grounded as the most important part to be grounded.



- ▶ Applied to all other cover plates, the earthing screws allow for the complete earthing of all enclosure cover plates. Furthermore, Toes Plus+ allows for earthing all parts by use of special grounding washers.





▼ Offered as flat package, the TEOS Plus+ series is designed for an easy mounting in a minimal amount of time. It does not require angulation for the body and can be mounted between 15-20 minutes by two people.

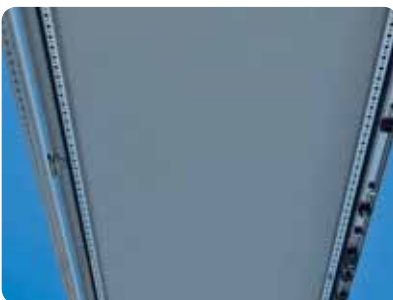
▼ Offered as flat package, TEOS Plus+ series save space during transportation and storage.



Lock and hinge placed in four points.



Standard swing handle lock



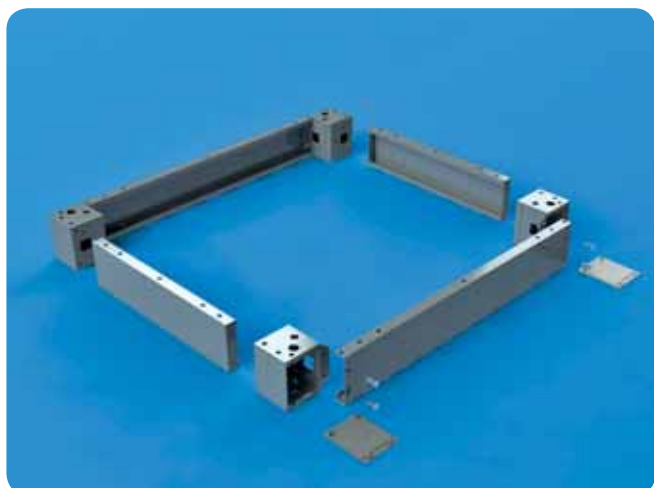
Wide Space and Strong Door Rail

- ▶ Since locking is performed on the rails, inner space of the cover plates allows for a maximum efficiency.
- ▶ As the closed support rails are manufactured as a completely closed box, they are more resistant to bending. This ensures a stronger cover plate.

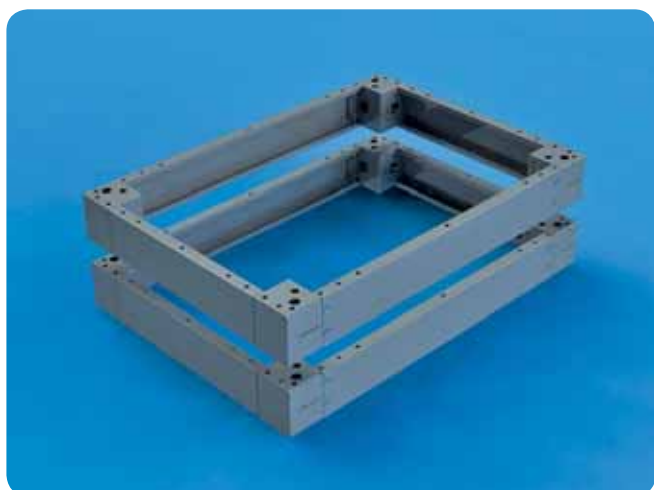
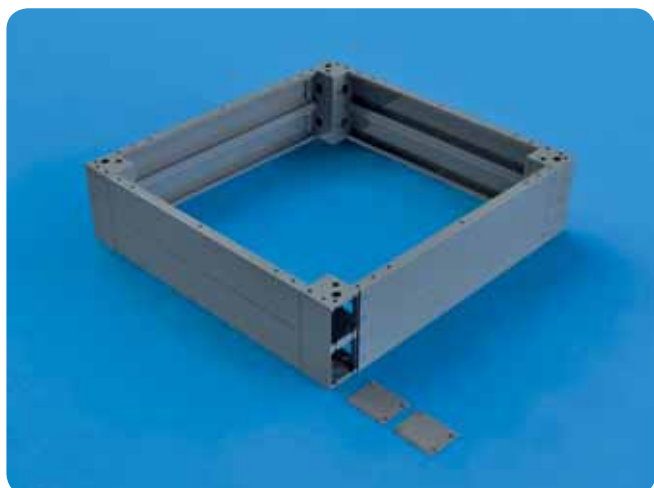


Rigid and Durable Lock Structure

- ▶ Lock failures experienced in most enclosures are prevented in TEOS Plus+. Thanks to their corrugated and long-lasting structure, the locking plates do not bend and corrode.



- ▼ Front surfaces of the corner parts are open in the plinth system which is designed with a height of 100 mm and 200 mm. This enables not only an easy mounting on the enclosure but also an easy ground fixing. Upon the completion of this process, the plastic panel closes without use of screws.
- ▼ Plinth front panels are mounted with screws while the side panels are screwed from the inside.
- ▼ A separate corner can be used for plinth applications with a height of 200 mm as well as plinths with a height of 100 mm can be superimposed to reach the 200 mm height.





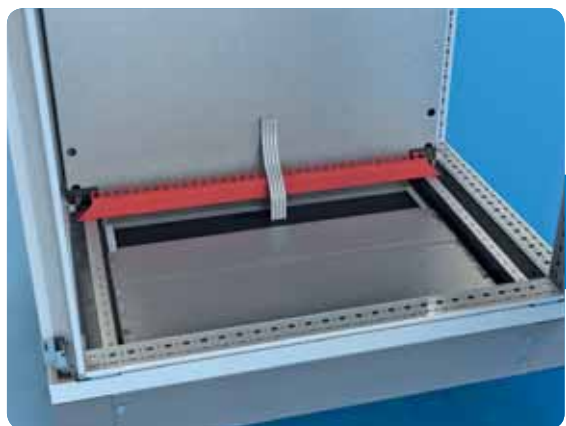
***TEOS plus+* AUTOMATION and
CONTROL SYSTEMS**

Page 44-63



***TEOS standart* POWER / ENERGY
DISTRIBUTION SYSTEMS**

Page 64-89



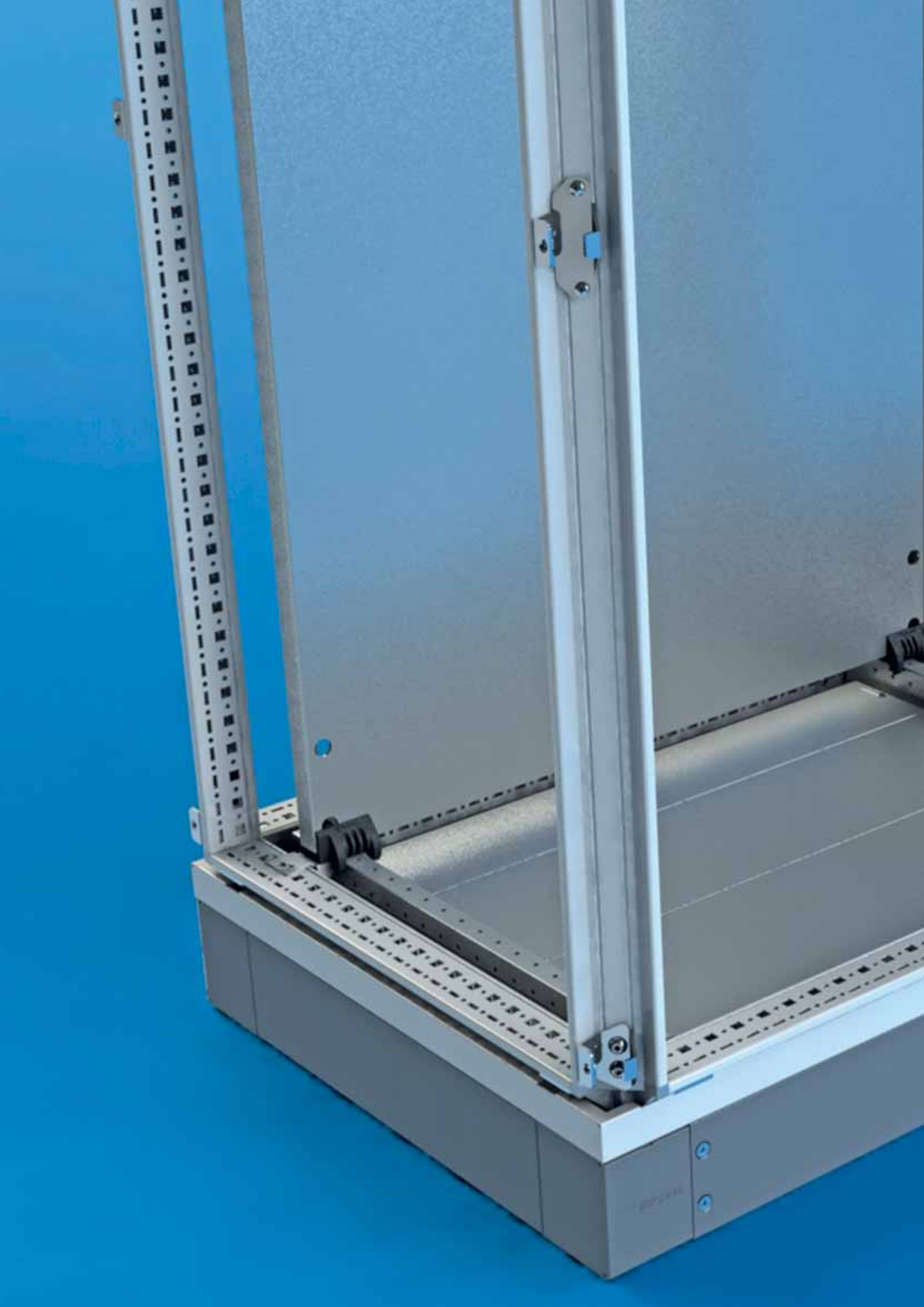
***TEOS* SERIES
ACCESSORIES**

Page 90-109



TEOS plus+







TEOS plus+



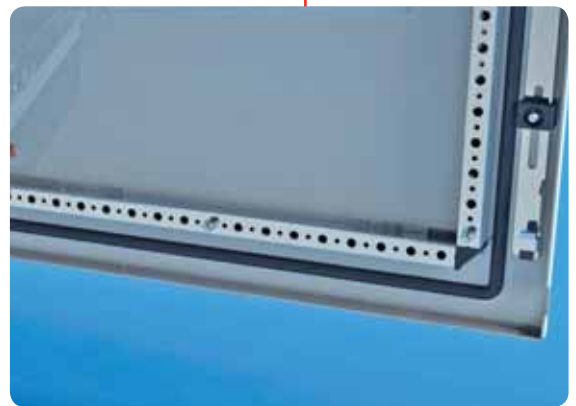
▼ Sealing foam gaskets are used on the body door, back door, side panels and top panels of the enclosure. This gasket enables complete isolation between -10°C and +50°C.

▼ All gaskets apply pressure on the convex frame curves. Dust and water particles are left in the space between the convex curves, and thus pressure on the gasket is prevented.

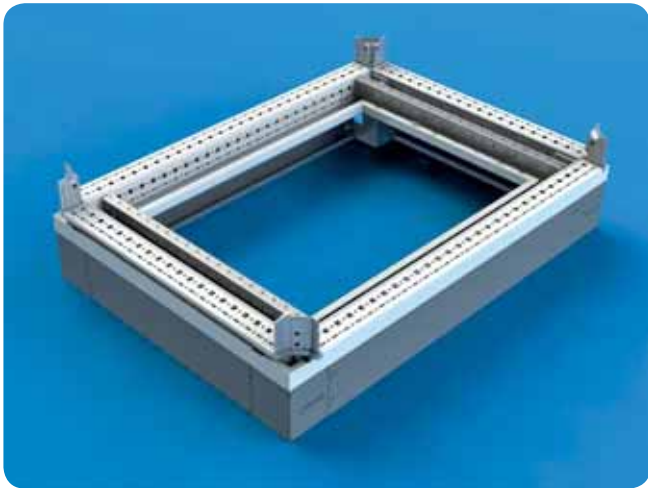
▼ With the help of the gasket, the bottom base system enables complete protection from the frame contact surface and on the contact point of the gland plate and bottom panel.



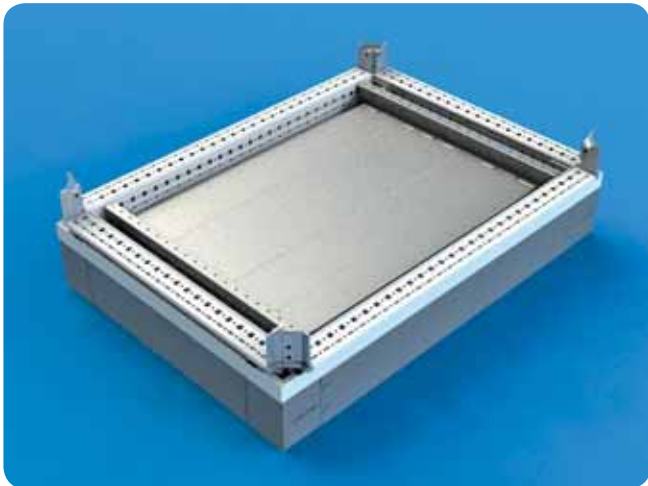
▼ Applied to double-door enclosures, the insulating gasket assumes a full protective role between two panels and the frame when both doors close over the gasket.



▼ Applied to all front doors and panels, the liquid seal is used in all double-door enclosures and acts as an insulator between two doors. Locking system of both doors work separately and this enables a full gasket pressing.



- ▼ Bottom part of the enclosure is closed by means of a centre-bore closure system which allows for insulation. According to their depth, the perforations in the middle of bottom enclosure part are covered with 3-4 pieces of galvanized steel. .
- ▼ As partial gland plates are replaceable, their position can be changed according to needs. Plate positions can be changed in single mounting plate or double mounting plate applications.
- ▼ Foam and brush options available.
(See page 92 for cable entry accessories).





Manufactured from a 3,00 mm galvanized steel, TEOS plus+ mounting plates are railed and easily mounted. With its thick steel sheet structure, the mounting plate can carry heavy equipment with its rigid structure and does not need additional side support parts. In this way, bayed enclosure space is increased in combined enclosures.



Connected to the mounting plates, the intermediate mounting plate increases space and can move back and front together with the mounting plates.



SIZES and MODELS



TOP / BOTTOM GROUP

Relevant Size : ENCLOSURE WIDTH x DEPTH
Material : Body : 1,50mm galvanized steel+RAL7035 powder-coating
 Top Cover : 1,50mm mild steel +RAL7035 powder-coating
 Bottom : 1,50mm mild steel + RAL7035 powder-coating
 Gland Plate : 1,50mm galvanized steel

Supply includes : 1 set of upper body, 1 set of lower body, 1 pcs gland plate,
 1 pcs top cover, 4 pcs lifting egebolts and body mounting parts.

TEOS plus ENCLOSURE mm		
WIDTH (W)	DEPTH (D)	REFERENCE NO.
400	500	701.450
400	600	701.460
400	800	701.480
600	400	701.640
600	500	701.650
600	600	701.660
600	800	701.680

TEOS plus ENCLOSURE mm		
WIDTH (W)	DEPTH (D)	REFERENCE NO.
700	400	701.740
700	500	701.750
700	600	701.760
700	800	701.780
800	400	701.840
800	500	701.850
800	600	701.860
800	800	701.880

TEOS plus ENCLOSURE mm		
WIDTH (W)	DEPTH (D)	REFERENCE NO.
1000	400	701.040
1000	500	701.050
1000	600	701.060
1000	800	701.080
1200	400	701.240
1200	500	701.250
1200	600	701.260
1200	800	701.280



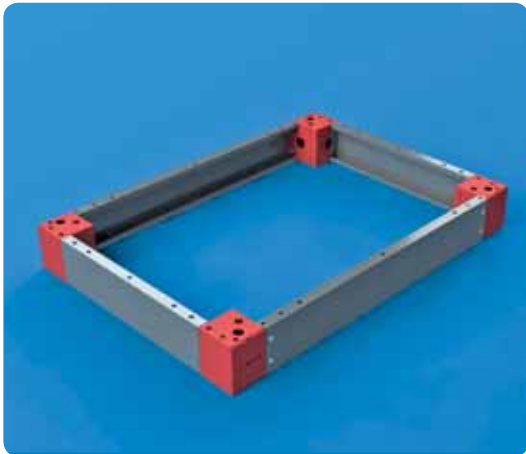
VERTICAL FRAME GROUP

Relevant Size : ENCLOSURE HEIGHT

Material : Frame : 1,50mm galvanized steel + RAL7035 powder-coating

Supply includes : 4 pcs vertical frame

WIDTH (W)	REFERENCE NO.
1200	702.120
1600	702.160
1800	702.180
2000	702.200
2200	702.220



PLINTH CORNER PART

Relevant Size : PLINTH HEIGHT

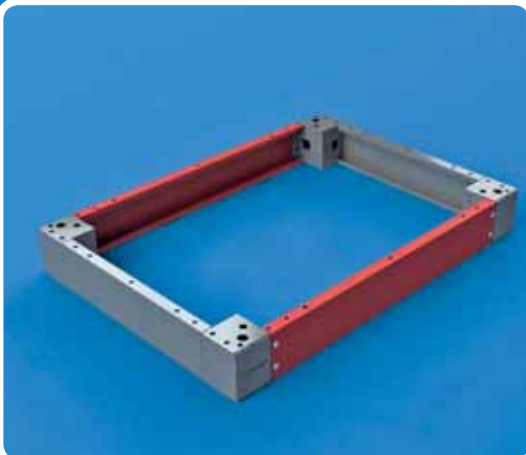
Material : Corner part : 2,00mm galvanized steel + RAL 7012 powder-coating
 Plastic Panel : RAL 7012 ABS Plastic

Supply includes : 4 pcs 100 mm or 200mm high plinth corner part, 4 pcs plastic panel and mounting parts

Note : Please see page 90-91 for plinth accessories.

TEOS PLINTH HEIGHT(H2)	REFERENCE NO.
100	708.100
200	708.200

PLINTH FRONT COVERS



Relevant Size : ENCLOSURE WIDTH

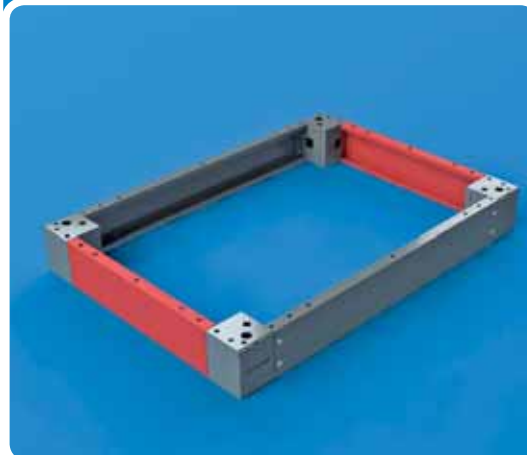
Material : 1,50mm galvanized steel + RAL 7012 powder-coating

Supply includes : 2 pcs 100mm high front plinth panel and mounting parts

Required : 2 sets of front plinth panel group for 200mm height plinths.

ENCLOSURE WIDTH(W)	REFERENCE NO.
400	709.140
600	709.160
700	709.170
800	709.180
1000	709.100
1200	709.120

PLINTH SIDE COVERS



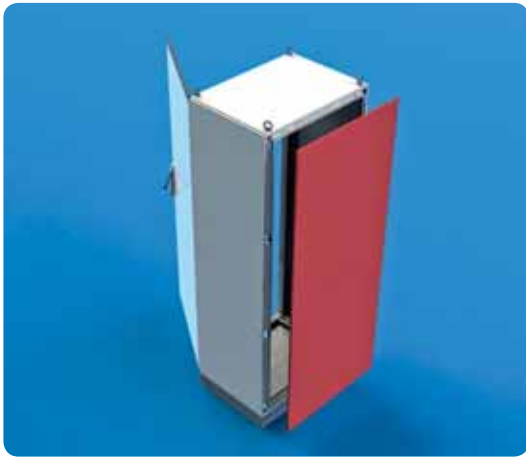
Relevant Size : ENCLOSURE DEPTH

Material : 1,50mm galvanized steel + RAL 7012 powder-coating

Supply includes : 2 pcs 100mm high side plinth panel and mounting parts

Required : 2 sets of front plinth panel group for 200mm high plinths.

ENCLOSURE DEPTH(D)	REFERENCE NO.
400	710.140
500	710.150
600	710.160
800	710.180



REAR PANEL GROUP

Relevant size : ENCLOSURE WIDTH x HEIGHT

Material : 1,50mm mild steel + RAL 7035 powder-coating

Supply includes : 1 pcs rear panel and mounting parts

TEOS plus ENCLOSURE mm		
WIDTH (W)	HEIGHT (HT)	REFERENCE NO.
400	1800	703.418
400	2000	703.420
600	1200	703.612
600	1600	703.616
600	1800	703.618
600	2000	703.620
600	2200	703.622

TEOS plus ENCLOSURE mm		
WIDTH (W)	HEIGHT (HT)	REFERENCE NO.
700	1800	703.718
700	2000	703.720
800	1200	703.812
800	1600	703.816
800	1800	703.818
800	2000	703.820
800	2200	703.822

TEOS plus ENCLOSURE mm		
WIDTH (W)	HEIGHT (HT)	REFERENCE NO.
1000	1800	703.018
1000	2000	703.020
1200	1200	703.212
1200	1600	703.216
1200	1800	703.218
1200	2000	703.220
1200	2200	703.222



SIDE PANELS

Relevant size : ENCLOSURE HEIGHT x DEPTH

Material : 1,50mm mild steel + RAL 7035 powder-coating

Supply includes : 2 pcs side panel and mounting parts

TEOS plus ENCLOSURE mm		
HEIGHT (H)	DEPTH (D)	REFERENCE NO.
1200	400	706.124
1200	500	706.125
1200	600	706.126
1600	400	706.164
1600	500	706.165
1600	600	706.166

TEOS plus ENCLOSURE mm		
HEIGHT (H)	DEPTH (D)	REFERENCE NO.
1800	400	706.184
1800	500	706.185
1800	600	706.186
1800	800	706.188

TEOS plus ENCLOSURE mm		
HEIGHT (H)	DEPTH (D)	REFERENCE NO.
2000	400	706.204
2000	500	706.205
2000	600	706.206
2000	800	706.208
2200	600	706.226

SOLID FRONT DOOR



GLAZED FRONT DOOR



Relevant size : ENCLOSURE WIDTH x HEIGHT

Material : Solid Door : 2,00mm mild steel + RAL 7035 powder-coating
 Glazed Door : 2,00mm mild steel + RAL 7035 powder-coating
 4,00mm tempered glass

Supply includes : Solid Door : 1 pcs solid door, 1 set of lock, 4 set hinges and door stiffeners
 Glazed Door : 1 adet Glazed Door , 1 pcs glazed door, 1 set of lock, 4 sets of hinge and door support profile

! Attention : 800mm and 1000mm wide enclosures come in both single and double-door versions. 1200mm wide enclosures come only in double-door versions. Only 600mm and 800mm wide enclosures come with glazed doors.

! Attention : Doors of the double-door version are delivered in two separate packages.

TEOS plus ENCLOSURE mm				TEOS plus ENCLOSURE mm				TEOS plus ENCLOSURE mm			
WIDTH (W)	HEIGHT (H)	DOOR	REFERENCE NO.	WIDTH (W)	HEIGHT (H)	DOOR	REFERENCE NO.	WIDTH (W)	HEIGHT (H)	DOOR	REFERENCE NO.
400	1800	Single	704.418	800	1200	Single	704.812	1000	1800	Double	704.018
400	2000	Single	704.420	800	1600	Single	704.816	1000	2000	Double	704.020
600	1200	Single	704.612	800	1800	Single	704.818	1000	2000	Single	704.021
600	1600	Single	704.616	800	1800	Double	704.811	1200	1200	Double	704.212
600	1800	Single	704.618	800	2000	Single	704.820	1200	1600	Double	704.216
600	2000	Single	704.620	800	2000	Double	704.821	1200	1800	Double	704.218
600	2200	Single	704.622	800	2200	Single	704.822	1200	2000	Double	704.220
700	1800	Single	704.718					1200	2200	Double	704.222
700	2000	Single	704.720								
GLAZED DOOR				GLAZED DOOR				GLAZED DOOR			
600	1800	Single	705.618	700	1800	Single	705.718	800	1800	Single	705.818
600	2000	Single	705.620	700	2000	Single	705.720	800	2000	Single	705.820



MOUNTING PLATE

Relevant size : ENCLOSURE WIDTH x HEIGHT

Material : 3,00mm Galvanized steel

Supply includes : 1 pcs mounting plate and mounting parts.

TEOS plus ENCLOSURE mm		
WIDTH (W)	HEIGHT (H)	REFERENCE NO.
600	1200	707.612
600	1600	707.616
600	1800	707.618
600	2000	707.620
600	2200	707.622

TEOS plus ENCLOSURE mm		
WIDTH (W)	HEIGHT (H)	REFERENCE NO.
700	1800	707.718
700	2000	707.720
800	1200	707.812
800	1600	707.816
800	1800	707.818
800	2000	707.820
800	2200	707.822

TEOS plus ENCLOSURE mm		
WIDTH (W)	HEIGHT (H)	REFERENCE NO.
1000	1800	707.018
1000	2000	707.020
1200	1200	707.212
1200	1600	707.216
1200	1800	707.218
1200	2000	707.220
1200	2200	707.222



INTERMEDIATE MOUNTING PLATE

Relevant size : ENCLOSURE HEIGHT

Material : 2,00 mm galvanized steel

Supply includes : 1 pcs mounting plate, 3 pcs bracket and mounting parts

ENCLOSURE HEIGHT(H)	REFERENCE NO.
1200	712.120
1600	712.160
1800	712.180
2000	712.200
2200	712.220



MOUNTING PLATE FOR CORNER EXTENSION

Material : 2,00 mm Galvanized steel

Supply includes : 2 pcs extension parts and assembly parts.

ENCLOSURE HEIGHT(H)	REFERENCE NO.
1200	712.121
1600	712.161
1800	712.181
2000	712.201
2200	712.221



SHORT MOUNTING PLATE APPLICATION

- ▼ Depth rails allow for use of shorter mounting plates inside the enclosure. Thereby, this allows for busbar support and busbar applications on the mounting plate.
- ▼ Each mounting plate needs 2 pcs depth rails and 4 pcs brackets. Please see page 75-77 for related products.
- ▼ Please see page 160-180 for busbar support needs.

! Attention : There is no inconvenience in using intermediate mounting plates and corner extension parts for short mounting plate applications. It can move front to back with these accessories



MOUNTING PLATE LEANING SYSTEM

- ▼ Used for placing the mounting plate in the backmost position inside the enclosure.

Material : 2.00 mm mild steel + zinc coated

Supply includes : 2 pcs mounting plate bracket and assembly parts

Reference number : 943.465 (2 pcs)

! Attention : Intermediate mounting plate and corner extension parts cannot be used in the mounting plate leaning application. Short mounting plate can be applied.

! Required : 6 pcs bracket required.




BAYING KIT

Material : 3,00mm - 4,00mm mild steel parts + zinc coated

Supply includes : 2 pcs combination, 4 pcs angular brackets,
2 pcs adjustable bracket, 4 pcs fixing bracket,
5,60m intermediate insulation gasket and mounting parts

Reference number : 711.000

 **Note** : Please see page 105-107 for other combination and support systems.



SIZES and MODELS

HEIGHT (H): 1200 mm



ENCLOSURE DEPTH 400 mm (D)		ENCLOSURE WIDTHmm (W)		
STEP	PRODUCT DESCRIPTION	Single Door 600	Single Door 800	Double Door 1200
1	TOP/BOTTOM GROUP	701.640	701.840	701.240
2	VERTICAL FRAMES GROUP	702.120	702.120	702.120
3	PLINTH CORNER PART H100mm (H2)	708.100	708.100	708.100
3	PLINTH CORNER PART H200mm (H2)	708.200	708.200	708.200
4	PLINTH FRONT COVERS H100mm (H2)	709.160	709.180	709.120
5	PLINTH SIDE COVERS H100mm (H2)	710.140	710.140	710.140
6	REAR PANEL	703.612	703.812	703.212
7	FRONT DOOR (SOLID)	704.612	704.812	704.212
8	SIDE PANELS (2 pcs.)	706.124	706.124	706.124
9	MOUNTING PLATE	707.612	707.812	707.212
10	BAYING KIT	711.000	711.000	711.000

ENCLOSURE DEPTH 500 mm (D)		ENCLOSURE WIDTHmm (W)		
STEP	PRODUCT DESCRIPTION	Single Door 600	Single Door 800	Double Door 1200
1	TOP/BOTTOM GROUP	701.650	701.850	701.250
2	VERTICAL FRAMES GROUP	702.120	702.120	702.120
3	PLINTH CORNER PART H100mm (H2)	708.100	708.100	708.100
3	PLINTH CORNER PART H200mm (H2)	708.200	708.200	708.200
4	PLINTH FRONT COVERS H100mm (H2)	709.160	709.180	709.120
5	PLINTH SIDE COVERS H100mm (H2)	710.150	710.150	710.150
6	REAR PANEL	703.612	703.812	703.212
7	FRONT DOOR (SOLID)	704.612	704.812	704.212
8	SIDE PANELS (2 pcs.)	706.125	706.125	706.125
9	MOUNTING PLATE	707.612	707.812	707.212
10	BAYING KIT	711.000	711.000	711.000

ENCLOSURE DEPTH 600 mm (D)		ENCLOSURE WIDTHmm (W)		
STEP	PRODUCT DESCRIPTION	Single Door 600	Single Door 800	Double Door 1200
1	TOP/BOTTOM GROUP	701.660	701.860	701.260
2	VERTICAL FRAMES GROUP	702.120	702.120	702.120
3	PLINTH CORNER PART H100mm (H2)	708.100	708.100	708.100
3	PLINTH CORNER PART H200mm (H2)	708.200	708.200	708.200
4	PLINTH FRONT COVERS H100mm (H2)	709.160	709.180	709.120
5	PLINTH SIDE COVERS H100mm (H2)	710.160	710.160	710.160
6	REAR PANEL	703.612	703.812	703.212
7	FRONT DOOR (SOLID)	704.612	704.812	704.212
8	SIDE PANELS (2 pcs.)	706.126	706.126	706.126
9	MOUNTING PLATE	707.612	707.812	707.212
10	BAYING KIT	711.000	711.000	711.000

SIZES and MODELS

HEIGHT (H): 1600 mm



ENCLOSURE DEPTH 400 mm (D)		ENCLOSURE WIDTHmm (W)		
STEP	PRODUCT DESCRIPTION	Single Door 600	Single Door 800	Double Door 1200
1	TOP/BOTTOM GROUP	701.640	701.840	701.240
2	VERTICAL FRAMES GROUP	702.160	702.160	702.160
3	PLINTH CORNER PART H100mm (H2)	708.100	708.100	708.100
3	PLINTH CORNER PART H200mm (H2)	708.200	708.200	708.200
4	PLINTH FRONT COVERS H100mm (H2)	709.160	709.180	709.120
5	PLINTH SIDE COVERS H100mm (H2)	710.140	710.140	710.140
6	REAR PANEL	703.616	703.816	703.216
7	FRONT DOOR (SOLID)	704.616	704.816	704.216
8	SIDE PANELS (2 pcs.)	706.164	706.164	706.164
9	MOUNTING PLATE	707.616	707.816	707.216
10	BAYING KIT	711.000	711.000	711.000

ENCLOSURE DEPTH 500 mm (D)		ENCLOSURE WIDTHmm (W)		
STEP	PRODUCT DESCRIPTION	Single Door 600	Single Door 800	Double Door 1200
1	TOP/BOTTOM GROUP	701.650	701.850	701.250
2	VERTICAL FRAMES GROUP	702.160	702.160	702.160
3	PLINTH CORNER PART H100mm (H2)	708.100	708.100	708.100
3	PLINTH CORNER PART H200mm (H2)	708.200	708.200	708.200
4	PLINTH FRONT COVERS H100mm (H2)	709.160	709.180	709.120
5	PLINTH SIDE COVERS H100mm (H2)	710.150	710.150	710.150
6	REAR PANEL	703.616	703.816	703.216
7	FRONT DOOR (SOLID)	704.616	704.816	704.216
8	SIDE PANELS (2 pcs.)	706.165	706.165	706.165
9	MOUNTING PLATE	707.616	707.816	707.216
10	BAYING KIT	711.000	711.000	711.000

ENCLOSURE DEPTH 600 mm (D)		ENCLOSURE WIDTHmm (W)		
STEP	PRODUCT DESCRIPTION	Single Door 600	Single Door 800	Double Door 1200
1	TOP/BOTTOM GROUP	701.660	701.860	701.260
2	VERTICAL FRAMES GROUP	702.160	702.160	702.160
3	PLINTH CORNER PART H100mm (H2)	708.100	708.100	708.100
3	PLINTH CORNER PART H200mm (H2)	708.200	708.200	708.200
4	PLINTH FRONT COVERS H100mm (H2)	709.160	709.180	709.120
5	PLINTH SIDE COVERS H100mm (H2)	710.160	710.160	710.160
6	REAR PANEL	703.616	703.816	703.216
7	FRONT DOOR (SOLID)	704.616	704.816	704.216
8	SIDE PANELS (2 pcs.)	706.166	706.166	706.166
9	MOUNTING PLATE	707.616	707.816	707.216
10	BAYING KIT	711.000	711.000	711.000

SIZES and MODELS

HEIGHT (H): 1800 mm

ENCLOSURE DEPTH 400 mm (D)		ENCLOSURE WIDTH mm (W)					
STEP	PRODUCT DESCRIPTION	Single Door 600	Single Door 700	Single Door 800	Double Door 800	Double Door 1000	Double Door 1200
1	TOP/BOTTOM GROUP	701.640	701.740	701.840	701.840	701.040	701.240
2	VERTICAL FRAMES GROUP	702.180	702.180	702.180	702.180	702.180	702.180
3	PLINTH CORNER PART H100mm (H2)	708.100	708.100	708.100	708.100	708.100	708.100
3	PLINTH CORNER PART H200mm (H2)	708.200	708.200	708.200	708.200	708.200	708.200
4	PLINTH FRONT COVERS H100mm (H2)	709.160	709.170	709.180	709.180	709.100	709.120
5	PLINTH SIDE COVERS H100mm (H2)	710.140	710.140	710.140	710.140	710.140	710.140
6	REAR PANEL	703.618	703.718	703.818	703.818	703.018	703.218
7	FRONT DOOR (SOLID)	704.618	704.718	704.818	704.811	704.018	704.218
7	FRONT DOOR (GLAZED)	705.618	705.718	705.818	-	-	-
8	SIDE PANELS (2 pcs.)	706.184	706.184	706.184	706.184	706.184	706.184
9	MOUNTING PLATE	707.618	707.718	707.818	707.818	707.018	707.218
10	BAYING KIT	711.000	711.000	711.000	711.000	711.000	711.000

ENCLOSURE DEPTH 500 mm (D)		ENCLOSURE WIDTH mm (W)						
STEP	PRODUCT DESCRIPTION	Single Door 400	Single Door 600	Single Door 700	Single Door 800	Double Door 800	Double Door 1000	Double Door 1200
1	TOP/BOTTOM GROUP	701.450	701.650	701.750	701.850	701.850	701.050	701.250
2	VERTICAL FRAMES GROUP	702.180	702.180	702.180	702.180	702.180	702.180	702.180
3	PLINTH CORNER PART H100mm (H2)	708.100	708.100	708.100	708.100	708.100	708.100	708.100
3	PLINTH CORNER PART H200mm (H2)	708.200	708.200	708.200	708.200	708.200	708.200	708.200
4	PLINTH FRONT COVERS H100mm (H2)	709.140	709.160	709.170	709.180	709.180	709.100	709.120
5	PLINTH SIDE COVERS H100mm (H2)	710.150	710.150	710.150	710.150	710.150	710.150	710.150
6	REAR PANEL	703.418	703.618	703.718	703.818	703.818	703.018	703.218
7	FRONT DOOR (SOLID)	704.418	704.618	704.718	704.818	704.811	704.018	704.218
7	FRONT DOOR (GLAZED)	-	705.618	705.718	705.818	-	-	-
8	SIDE PANELS (2 pcs.)	706.185	706.185	706.185	706.185	706.185	706.185	706.185
9	MOUNTING PLATE	-	707.618	707.718	707.818	707.818	707.018	707.218
10	BAYING KIT	711.000	711.000	711.000	711.000	711.000	711.000	711.000

ENCLOSURE DEPTH 600 mm (D)		ENCLOSURE WIDTH mm (W)						
STEP	PRODUCT DESCRIPTION	Single Door 400	Single Door 600	Single Door 700	Single Door 800	Double Door 800	Double Door 1000	Double Door 1200
1	TOP/BOTTOM GROUP	701.460	701.660	701.760	701.860	701.860	701.060	701.260
2	VERTICAL FRAMES GROUP	702.180	702.180	702.180	702.180	702.180	702.180	702.180
3	PLINTH CORNER PART H100mm (H2)	708.100	708.100	708.100	708.100	708.100	708.100	708.100
3	PLINTH CORNER PART H200mm (H2)	708.200	708.200	708.200	708.200	708.200	708.200	708.200
4	PLINTH FRONT COVERS H100mm (H2)	709.140	709.160	709.170	709.180	709.180	709.100	709.120
5	PLINTH SIDE COVERS H100mm (H2)	710.160	710.160	710.160	710.160	710.160	710.160	710.160
6	REAR PANEL	703.418	703.618	703.718	703.818	703.818	703.018	703.218
7	FRONT DOOR (SOLID)	704.418	704.618	704.718	704.818	704.811	704.018	704.218
7	FRONT DOOR (GLAZED)	-	705.618	705.718	705.818	-	-	-
8	SIDE PANELS (2 pcs.)	706.186	706.186	706.186	706.186	706.186	706.186	706.186
9	MOUNTING PLATE	-	707.618	707.718	707.818	707.818	707.018	707.218
10	BAYING KIT	711.000	711.000	711.000	711.000	711.000	711.000	711.000

ENCLOSURE DEPTH 800 mm (D)		ENCLOSURE WIDTH mm (W)						
STEP	PRODUCT DESCRIPTION	Single Door 400	Single Door 600	Single Door 700	Single Door 800	Double Door 800	Double Door 1000	Double Door 1200
1	TOP/BOTTOM GROUP	701.480	701.680	701.780	701.880	701.880	701.080	701.280
2	VERTICAL FRAMES GROUP	702.180	702.180	702.180	702.180	702.180	702.180	702.180
3	PLINTH CORNER PART H100mm (H2)	708.100	708.100	708.100	708.100	708.100	708.100	708.100
3	PLINTH CORNER PART H200mm (H2)	708.200	708.200	708.200	708.200	708.200	708.200	708.200
4	PLINTH FRONT COVERS H100mm (H2)	709.140	709.160	709.170	709.180	709.180	709.100	709.120
5	PLINTH SIDE COVERS H100mm (H2)	710.180	710.180	710.180	710.180	710.180	710.180	710.180
6	REAR PANEL	703.418	703.618	703.718	703.818	703.818	703.018	703.218
7	FRONT DOOR (SOLID)	704.418	704.618	704.718	704.818	704.811	704.018	704.218
7	FRONT DOOR (GLAZED)	-	705.618	705.718	705.818	-	-	-
8	SIDE PANELS (2 pcs.)	706.188	706.188	706.188	706.188	706.188	706.188	706.188
9	MOUNTING PLATE	-	707.618	707.718	707.818	707.818	707.018	707.218
10	BAYING KIT	711.000	711.000	711.000	711.000	711.000	711.000	711.000

SIZES and MODELS

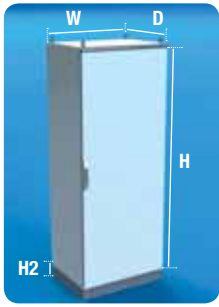
HEIGHT (H): 2000 mm

ENCLOSURE DEPTH 400 mm (D)		ENCLOSURE WIDTH mm (W)							
STEP	PRODUCT DESCRIPTION		Single Door 600	Single Door 700	Single Door 800	Double Door 800	Single Door 1000	Double Door 1000	Double Door 1200
1	TOP/BOTTOM GROUP		701.640	701.740	701.840	701.840	701.040	701.040	701.240
2	VERTICAL FRAMES GROUP		702.200	702.200	702.200	702.200	702.200	702.200	702.200
3	PLINTH CORNER PART H100mm (H2)		708.100	708.100	708.100	708.100	708.100	708.100	708.100
3	PLINTH CORNER PART H200mm (H2)		708.200	708.200	708.200	708.200	708.200	708.200	708.200
4	PLINTH FRONT COVERS H100mm (H2)		709.160	709.170	709.180	709.180	709.100	709.100	709.120
5	PLINTH SIDE COVERS H100mm (H2)		710.140	710.140	710.140	710.140	710.140	710.140	710.140
6	REAR PANEL		703.620	703.720	703.820	703.820	703.020	703.020	703.220
7	FRONT DOOR (SOLID)		704.620	704.720	704.820	704.821	704.021	704.020	704.220
7	FRONT DOOR (GLAZED)		705.620	705.720	705.820	-	-	-	-
8	SIDE PANELS (2 pcs)		706.204	706.204	706.204	706.204	706.204	706.204	706.204
9	MOUNTING PLATE		707.620	707.720	707.820	707.820	707.020	707.020	707.220
10	BAYING KIT		711.000	711.000	711.000	711.000	711.000	711.000	711.000

ENCLOSURE DEPTH 500 mm (D)		ENCLOSURE WIDTH mm (W)							
STEP	PRODUCT DESCRIPTION	Single Door 400	Single Door 600	Single Door 700	Single Door 800	Double Door 800	Single Door 1000	Double Door 1000	Double Door 1200
1	TOP/BOTTOM GROUP	701,450	701.650	701.750	701.850	701.850	701.050	701.050	701.250
2	VERTICAL FRAMES GROUP	702,200	702.200	702.200	702.200	702.200	702.200	702.200	702.200
3	PLINTH CORNER PART H100mm (H2)	708,100	708.100	708.100	708.100	708.100	708.100	708.100	708.100
3	PLINTH CORNER PART H200mm (H2)	708,200	708.200	708.200	708.200	708.200	708.200	708.200	708.200
4	PLINTH FRONT COVERS H100mm (H2)	709,140	709.160	709.170	709.180	709.180	709.100	709.100	709.120
5	PLINTH SIDE COVERS H100mm (H2)	710,150	710.150	710.150	710.150	710.150	710.150	710.150	710.150
6	REAR PANEL	703,420	703.620	703.720	703.820	703.820	703.020	703.020	703.220
7	FRONT DOOR (SOLID)	704,420	704.620	704.720	704.820	704.821	704.021	704.020	704.220
7	FRONT DOOR (GLAZED)	-	705.620	705.720	705.820	-	-	-	-
8	SIDE PANELS (2 pcs)	706,205	706.205	706.205	706.205	706.205	706.205	706.205	706.205
9	MOUNTING PLATE	-	707.620	707.720	707.820	707.820	707.020	707.020	707.220
10	BAYING KIT	711,000	711.000	711.000	711.000	711.000	711.000	711.000	711.000

ENCLOSURE DEPTH 600 mm (D)		ENCLOSURE WIDTH mm (W)							
STEP	PRODUCT DESCRIPTION	Single Door 400	Single Door 600	Single Door 700	Single Door 800	Double Door 800	Single Door 1000	Double Door 1000	Double Door 1200
1	TOP/BOTTOM GROUP	701,460	701.660	701.760	701.860	701.860	701.060	701.060	701.260
2	VERTICAL FRAMES GROUP	702,200	702.200	702.200	702.200	702.200	702.200	702.200	702.200
3	PLINTH CORNER PART H100mm (H2)	708,100	708.100	708.100	708.100	708.100	708.100	708.100	708.100
3	PLINTH CORNER PART H200mm (H2)	708,200	708.200	708.200	708.200	708.200	708.200	708.200	708.200
4	PLINTH FRONT COVERS H100mm (H2)	709,140	709.160	709.170	709.180	709.180	709.100	709.100	709.120
5	PLINTH SIDE COVERS H100mm (H2)	710,160	710.160	710.160	710.160	710.160	710.160	710.160	710.160
6	REAR PANEL	703,420	703.620	703.720	703.820	703.820	703.020	703.020	703.220
7	FRONT DOOR (SOLID)	704,420	704.620	704.720	704.820	704.821	704.021	704.020	704.220
7	FRONT DOOR (GLAZED)	-	705.620	705.720	705.820	-	-	-	-
8	SIDE PANELS (2 pcs)	706,206	706.206	706.206	706.206	706.206	706.206	706.206	706.206
9	MOUNTING PLATE	-	707.620	707.720	707.820	707.820	707.020	707.020	707.220
10	BAYING KIT	711,000	711.000	711.000	711.000	711.000	711.000	711.000	711.000

ENCLOSURE DEPTH 800 mm (D)		ENCLOSURE WIDTH mm (W)							
STEP	PRODUCT DESCRIPTION	Single Door 400	Single Door 600	Single Door 700	Single Door 800	Double Door 800	Single Door 1000	Double Door 1000	Double Door 1200
1	TOP/BOTTOM GROUP	701,480	701.680	701.780	701.880	701.880	701.080	701.080	701.280
2	VERTICAL FRAMES GROUP	702,200	702.200	702.200	702.200	702.200	702.200	702.200	702.200
3	PLINTH CORNER PART H100mm (H2)	708,100	708.100	708.100	708.100	708.100	708.100	708.100	708.100
3	PLINTH CORNER PART H200mm (H2)	708,200	708.200	708.200	708.200	708.200	708.200	708.200	708.200
4	PLINTH FRONT COVERS H100mm (H2)	709,140	709.160	709.170	709.180	709.180	709.100	709.100	709.120
5	PLINTH SIDE COVERS H100mm (H2)	710,180	710.180	710.180	710.180	710.180	710.180	710.180	710.180
6	REAR PANEL	703,420	703.620	703.720	703.820	703.820	703.020	703.020	703.220
7	FRONT DOOR (SOLID)	704,420	704.620	704.720	704.820	704.821	704.021	704.020	704.220
7	FRONT DOOR (GLAZED)	-	705.620	705.720	705.820	-	-	-	-
8	SIDE PANELS (2 pcs)	706,208	706.208	706.208	706.208	706.208	706.208	706.208	706.208
9	MOUNTING PLATE	-	707.620	707.720	707.820	707.820	707.020	707.020	707.220
10	BAYING KIT	711,000	711.000	711.000	711.000	711.000	711.000	711.000	711.000



HEIGHT (H): 2200 mm

STEP	PRODUCT DESCRIPTION	ENCLOSURE WIDTH mm (W)		
		Single Door 600	Single Door 800	Double Door 1200
ENCLOSURE DEPTH 600 mm (D)				
1	TOP/BOTTOM GROUP	701.660	701.860	701.260
2	VERTICAL FRAMES GROUP	702.220	702.220	702.220
3	PLINTH CORNER PART H100mm (H2)	708.100	708.100	708.100
3	PLINTH CORNER PART H200mm (H2)	708.200	708.200	708.200
4	PLINTH FRONT COVERS H100mm (H2)	709.160	709.180	709.120
5	PLINTH SIDE COVERS H100mm (H2)	710.160	710.160	710.160
6	REAR PANEL	703.622	703.822	703.222
7	FRONT DOOR (SOLID)	704.622	704.822	704.222
8	SIDE PANELS (2 pcs)	706.226	706.226	706.226
9	MOUNTING PLATE	707.622	707.822	707.222
10	BAYING KIT	711.000	711.000	711.000





SIZES and MODELS



**TOP / BOTTOM GROUP
(WITHOUT GLAND PLATE)**

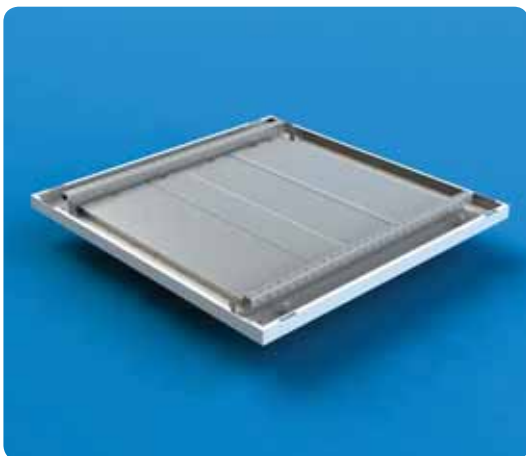
Material : Body : 1,50 mm galvanized steel + RAL 7035 coating
 Top Panel : 1,50 mm mild steel + RAL 7035 coating

Supply includes : 1 set of upper body, 1 set of lower body, 1 pcs top panel, 4 pcs eyebolt and body assembling parts

TEOS standard ENCLOSURE mm		
WIDTH (W)	DEPTH (D)	REFERENCE NO.
400	500	701.451
400	600	701.461
400	800	701.481
600	400	701.641
600	500	701.651
600	600	701.661
600	800	701.681

TEOS standard ENCLOSURE mm		
WIDTH (W)	DEPTH (D)	REFERENCE NO.
700	400	701.741
700	500	701.751
700	600	701.761
700	800	701.781
800	400	701.841
800	500	701.851
800	600	701.861
800	800	701.881

TEOS standard ENCLOSURE mm		
WIDTH (W)	DEPTH (D)	REFERENCE NO.
1000	400	701.041
1000	500	701.051
1000	600	701.061
1000	800	701.081



BASE SYSTEM/ GLAND PLATE

Materyal : Base : 1,50 mm mild steel + RAL 7035 coating
 Gland plate : 1,50 mm galvanized steel

Supply includes : 1 pcs base, 1 set gland plate

TEOS standard ENCLOSURE mm		
WIDTH (W)	DEPTH (D)	REFERENCE NO.
400	500	923.450
400	600	923.460
400	800	923.480
600	400	923.640
600	500	923.650
600	600	923.660
600	800	923.680

TEOS standard ENCLOSURE mm		
WIDTH (W)	DEPTH (D)	REFERENCE NO.
700	400	923.740
700	500	923.750
700	600	923.760
700	800	923.780
800	400	923.840
800	500	923.850
800	600	923.860
800	800	923.880

TEOS standard ENCLOSURE mm		
WIDTH (W)	DEPTH (D)	REFERENCE NO.
1000	400	923.040
1000	500	923.050
1000	600	923.060
1000	800	923.080



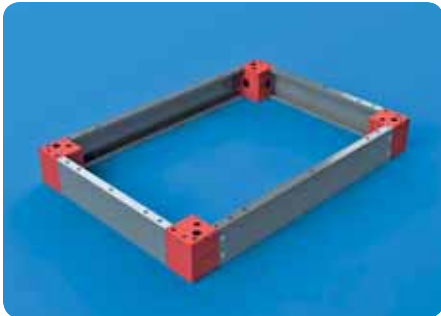
VERTICAL FRAME GROUP

Material : Body : 1,50mm galvanized steel + RAL 7035 powder-coating

Supply includes : 4 pcs vertical frame

WIDTH (W)	REFERENCE NO.
1200	702.120
1600	702.160
1800	702.180
2000	702.200
2200	702.220

PLINTH CORNER PART



Material :
 Corner part : 2,00mm galvanized steel + RAL 7012 powder-coating
 Plastic Panel : RAL 7012 ABS Plastic

Supply includes : 4 pcs 100mm or 200mm high plinth corner part, 4 pcs plastic panel and mounting parts.

TEOS PLINTH HEIGHT(H2)	REFERENCE NO.
100	708.100
200	708.200

PLINTH FRONT COVER



Material :
 1,50mm galvanized steel + RAL 7012 powder-coating

Supply includes : 2 pcs 100mm height front plinth cover and mounting parts

Required : 2 sets of side plinth cover group for 200mm height plinths

ENCLOSURE WIDTH(W)	REFERENCE NO.
400	709.140
600	709.160
700	709.170
800	709.180
1000	709.100
1200	709.120

PLINTH SIDE COVER



Material :
 100mm Baza Yan kapağı : 1,50mm galvanized steel + RAL 7012 powder-coating

Supply includes : 2 pcs 100mm height side plinth cover and mounting parts

Required : 2 sets of side plinth panel group for 200mm height plinths

ENCLOSURE DEPTH(D)	REFERENCE NO.
400	710.140
500	710.150
600	710.160
800	710.180

SIZES and MODELS



REAR PANEL GROUP

Materyal : 1,50mm mild steel + RAL 7035 powder-coating

Supply includes : 1 pcs back rear and mounting parts

TEOS plus ENCLOSURE mm		
WIDTH (W)	HEIGHT (HT)	REFERENCE NO.
400	1800	703.418
400	2000	703.420
600	1200	703.612
600	1600	703.616
600	1800	703.618
600	2000	703.620
600	2200	703.622

TEOS plus ENCLOSURE mm		
WIDTH (W)	HEIGHT (HT)	REFERENCE NO.
700	1800	703.718
700	2000	703.720
800	1200	703.812
800	1600	703.816
800	1800	703.818
800	2000	703.820
800	2200	703.822

TEOS plus ENCLOSURE mm		
WIDTH (W)	HEIGHT (HT)	REFERENCE NO.
1000	1800	703.018
1000	2000	703.020
1200	1200	703.212
1200	1600	703.216
1200	1800	703.218
1200	2000	703.220
1200	2200	703.222



SIDE PANELS

Materyal : 1,50mm mild steel + RAL 7035 powder-coating

Supply includes : 2 pcs side panels and mounting parts

TEOS plus ENCLOSURE mm		
HEIGHT (H)	DEPTH (D)	REFERENCE NO.
1200	400	706.124
1200	500	706.125
1200	600	706.126
1600	400	706.164
1600	500	706.165
1600	600	706.166

TEOS plus ENCLOSURE mm		
HEIGHT (H)	DEPTH (D)	REFERENCE NO.
1800	400	706.184
1800	500	706.185
1800	600	706.186
1800	800	706.188

TEOS plus ENCLOSURE mm		
HEIGHT (H)	DEPTH (D)	REFERENCE NO.
2000	400	706.204
2000	500	706.205
2000	600	706.206
2000	800	706.208
2200	600	706.226

SIZES and MODELS

FRONT DOOR (SOLID)



Material : 2,00mm mild steel + RAL 7035 powder-coating
Supply includes : 1 pcs solid door, 1 set of lock, 4 sets of hinge and door support rails.

GLAZED FRONT DOOR



Material : 2,00mm mild steel + RAL 7035 powder-coating + 4,00mm tempered glaze
Supply includes : 1 pcs glazed door, 1 set of lock, 4 sets of hinge and door support

- ! Attention** : There is both a single-door and double-door version of 800mm and 1000mm wide enclosures. 1200mm enclosures come only with double-doors. 600mm and 800mm wide enclosures come only with glazed doors.
- ! Attention** : Doors of double-door models are delivered in two separate packages.

WIDTH (W)	HEIGHT (H)	DOOR	REFERENCE NO.
400	1800	Single	704.418
400	2000	Single	704.420
600	1200	Single	704.612
600	1600	Single	704.616
600	1800	Single	704.618
600	2000	Single	704.620
600	2200	Single	704.622
700	1800	Single	704.718
700	2000	Single	704.720
Glazed Door			
600	1800	Single	705.618
600	2000	Single	705.620

WIDTH (W)	HEIGHT (H)	DOOR	REFERENCE NO.
800	1200	Single	704.812
800	1600	Single	704.816
800	1800	Single	704.818
800	1800	Double	704.811
800	2000	Single	704.820
800	2000	Double	704.821
800	2200	Single	704.822
Glazed Door			
700	1800	Single	705.718
700	2000	Single	705.720

WIDTH (W)	HEIGHT (H)	DOOR	REFERENCE NO.
1000	1800	Double	704.018
1000	2000	Double	704.020
1000	2000	Single	704.021
1200	1200	Double	704.212
1200	1600	Double	704.216
1200	1800	Double	704.218
1200	2000	Double	704.220
1200	2200	Double	704.222
Glazed Door			
800	1800	Single	705.818
800	2000	Single	705.820



BAYING KIT

Material : 3,00mm - 4,00mm mild steel parts zinc coated + galvanized

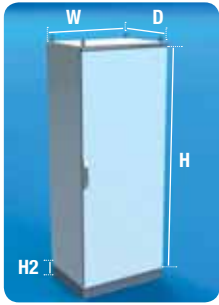
Supply includes : 2 pcs combination angles, 4 pcs angular brackets, 2 pcs adjustable bracket, 4 pcs fixing bracket, 5,60 insulation gasket and mounting parts

! Reference No : 711.000

Note : Please see page 105-107 for other combination and support systems.



SIZES and MODELS



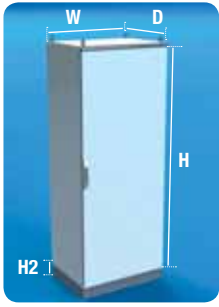
HEIGHT (H): 1200 mm

ENCLOSURE DEPTH 400 mm (D)		ENCLOSURE WIDTH mm (W)	
STEP	PRODUCT DESCRIPTION	Single Door 600	Single Door 800
1	TOP/BOTTOM GROUP	701.641	701.841
2	VERTICAL FRAMES GROUP	702.120	702.120
3	PLINTH CORNER PART H100mm (H2)	708.100	708.100
3	PLINTH CORNER PART H200mm (H2)	708.200	708.200
4	PLINTH FRONT COVERS H100mm (H2)	709.160	709.180
5	PLINTH SIDE COVERS H100mm (H2)	710.140	710.140
6	REAR PANEL	703.612	703.812
7	FRONT DOOR (SOLID)	704.612	704.812
8	SIDE PANELS (2 pcs)	706.124	706.124
10	BAYING KIT	711.000	711.000

ENCLOSURE DEPTH 500 mm (D)		ENCLOSURE WIDTH mm (W)	
STEP	PRODUCT DESCRIPTION	Single Door 600	Single Door 800
1	TOP/BOTTOM GROUP	701.651	701.851
2	VERTICAL FRAMES GROUP	702.120	702.120
3	PLINTH CORNER PART H100mm (H2)	708.100	708.100
3	PLINTH CORNER PART H200mm (H2)	708.200	708.200
4	PLINTH FRONT COVERS H100mm (H2)	709.160	709.180
5	PLINTH SIDE COVERS H100mm (H2)	710.150	710.150
6	REAR PANEL	703.612	703.812
7	FRONT DOOR (SOLID)	704.612	704.812
8	SIDE PANELS (2 pcs)	706.125	706.125
10	BAYING KIT	711.000	711.000

ENCLOSURE DEPTH 600 mm (D)		ENCLOSURE WIDTH mm (W)	
STEP	PRODUCT DESCRIPTION	Single Door 600	Single Door 800
1	TOP/BOTTOM GROUP	701.661	701.861
2	VERTICAL FRAMES GROUP	702.120	702.120
3	PLINTH CORNER PART H100mm (H2)	708.100	708.100
3	PLINTH CORNER PART H200mm (H2)	708.200	708.200
4	PLINTH FRONT COVERS H100mm (H2)	709.160	709.180
5	PLINTH SIDE COVERS H100mm (H2)	710.160	710.160
6	REAR PANEL	703.612	703.812
7	FRONT DOOR (SOLID)	704.612	704.812
8	SIDE PANELS (2 pcs)	706.126	706.126
10	BAYING KIT	711.000	711.000

SIZES and MODELS



HEIGHT (H): 1600 mm

ENCLOSURE DEPTH 400 mm (D)		ENCLOSURE WIDTH mm (W)	
STEP	PRODUCT DESCRIPTION	Single Door 600	Single Door 800
1	TOP/BOTTOM GROUP	701.641	701.841
2	VERTICAL FRAMES GROUP	702.160	702.160
3	PLINTH CORNER PART H100mm (H2)	708.100	708.100
3	PLINTH CORNER PART H200mm (H2)	708.200	708.200
4	PLINTH FRONT COVERS H100mm (H2)	709.160	709.180
5	PLINTH SIDE COVERS H100mm (H2)	710.140	710.140
6	REAR PANEL	703.616	703.816
7	FRONT DOOR (SOLID)	704.616	704.816
8	SIDE PANELS (2 pcs)	706.164	706.164
10	BAYING KIT	711.000	711.000

ENCLOSURE DEPTH 500 mm (D)		ENCLOSURE WIDTH mm (W)	
STEP	PRODUCT DESCRIPTION	Single Door 600	Single Door 800
1	TOP/BOTTOM GROUP	701.651	701.851
2	VERTICAL FRAMES GROUP	702.160	702.160
3	PLINTH CORNER PART H100mm (H2)	708.100	708.100
3	PLINTH CORNER PART H200mm (H2)	708.200	708.200
4	PLINTH FRONT COVERS H100mm (H2)	709.160	709.180
5	PLINTH SIDE COVERS H100mm (H2)	710.150	710.150
6	REAR PANEL	703.616	703.816
7	FRONT DOOR (SOLID)	704.616	704.816
8	SIDE PANELS (2 pcs)	706.165	706.165
10	BAYING KIT	711.000	711.000

ENCLOSURE DEPTH 600 mm (D)		ENCLOSURE WIDTH mm (W)	
STEP	PRODUCT DESCRIPTION	Single Door 600	Single Door 800
1	TOP/BOTTOM GROUP	701.661	701.861
2	VERTICAL FRAMES GROUP	702.160	702.160
3	PLINTH CORNER PART H100mm (H2)	708.100	708.100
3	PLINTH CORNER PART H200mm (H2)	708.200	708.200
4	PLINTH FRONT COVERS H100mm (H2)	709.160	709.180
5	PLINTH SIDE COVERS H100mm (H2)	710.160	710.160
6	REAR PANEL	703.616	703.816
7	FRONT DOOR (SOLID)	704.616	704.816
8	SIDE PANELS (2 pcs)	706.166	706.166
10	BAYING KIT	711.000	711.000

SIZES and MODELS

HEIGHT (H): 1800 mm

ENCLOSURE DEPTH 400 mm (D)		ENCLOSURE WIDTH mm (W)					
STEP	PRODUCT DESCRIPTION	Single Door 600	Single Door 700	Single Door 800	Double Door 800	Double Door 1000	
1	TOP/BOTTOM GROUP	701.641	701.741	701.841	701.841	701.041	
2	VERTICAL FRAMES GROUP	702.180	702.180	702.180	702.180	702.180	
3	PLINTH CORNER PART H100mm (H2)	708.100	708.100	708.100	708.100	708.100	
3	PLINTH CORNER PART H200mm (H2)	708.200	708.200	708.200	708.200	708.200	
4	PLINTH FRONT COVERS H100mm (H2)	709.160	709.170	709.180	709.180	709.100	
5	PLINTH SIDE COVERS H100mm (H2)	710.140	710.140	710.140	710.140	710.140	
6	REAR PANEL	703.618	703.718	703.818	703.818	703.018	
7	FRONT DOOR (SOLID)	704.618	704.718	704.818	704.811	704.018	
7	FRONT DOOR (GLAZED)	705.618	705.718	705.818	-	-	
8	SIDE PANELS (2 pcs)	706.184	706.184	706.184	706.184	706.184	
10	BAYING KIT	711.000	711.000	711.000	711.000	711.000	

ENCLOSURE DEPTH 500 mm (D)		ENCLOSURE WIDTH mm (W)					
STEP	PRODUCT DESCRIPTION	Single Door 400	Single Door 600	Single Door 700	Single Door 800	Double Door 800	Double Door 1000
1	TOP/BOTTOM GROUP	701.451	701.651	701.751	701.851	701.851	701.051
2	VERTICAL FRAMES GROUP	702.180	702.180	702.180	702.180	702.180	702.180
3	PLINTH CORNER PART H100mm (H2)	708.100	708.100	708.100	708.100	708.100	708.100
3	PLINTH CORNER PART H200mm (H2)	708.200	708.200	708.200	708.200	708.200	708.200
4	PLINTH FRONT COVERS H100mm (H2)	709.140	709.160	709.170	709.180	709.180	709.100
5	PLINTH SIDE COVERS H100mm (H2)	710.150	710.150	710.150	710.150	710.150	710.150
6	REAR PANEL	703.418	703.618	703.718	703.818	703.818	703.018
7	FRONT DOOR (SOLID)	704.418	704.618	704.718	704.818	704.811	704.018
7	FRONT DOOR (GLAZED)	-	705.618	705.718	705.818	-	-
8	SIDE PANELS (2 pcs)	706.185	706.185	706.185	706.185	706.185	706.185
10	BAYING KIT	711.000	711.000	711.000	711.000	711.000	711.000

ENCLOSURE DEPTH 600 mm (D)		ENCLOSURE WIDTH mm (W)					
STEP	PRODUCT DESCRIPTION	Single Door 400	Single Door 600	Single Door 700	Single Door 800	Double Door 800	Double Door 1000
1	TOP/BOTTOM GROUP	701.461	701.661	701.761	701.861	701.861	701.061
2	VERTICAL FRAMES GROUP	702.180	702.180	702.180	702.180	702.180	702.180
3	PLINTH CORNER PART H100mm (H2)	708.100	708.100	708.100	708.100	708.100	708.100
3	PLINTH CORNER PART H200mm (H2)	708.200	708.200	708.200	708.200	708.200	708.200
4	PLINTH FRONT COVERS H100mm (H2)	709.140	709.160	709.170	709.180	709.180	709.100
5	PLINTH SIDE COVERS H100mm (H2)	710.160	710.160	710.160	710.160	710.160	710.160
6	REAR PANEL	703.418	703.618	703.718	703.818	703.818	703.018
7	FRONT DOOR (SOLID)	704.418	704.618	704.718	704.818	704.811	704.018
7	FRONT DOOR (GLAZED)	-	705.618	705.718	705.818	-	-
8	SIDE PANELS (2 pcs)	706.186	706.186	706.186	706.186	706.186	706.186
10	BAYING KIT	711.000	711.000	711.000	711.000	711.000	711.000

ENCLOSURE DEPTH 800 mm (D)		ENCLOSURE WIDTH mm (W)					
STEP	PRODUCT DESCRIPTION	Single Door 400	Single Door 600	Single Door 700	Single Door 800	Double Door 800	Double Door 1000
1	TOP/BOTTOM GROUP	701.481	701.681	701.781	701.881	701.881	701.081
2	VERTICAL FRAMES GROUP	702.180	702.180	702.180	702.180	702.180	702.180
3	PLINTH CORNER PART H100mm (H2)	708.100	708.100	708.100	708.100	708.100	708.100
3	PLINTH CORNER PART H200mm (H2)	708.200	708.200	708.200	708.200	708.200	708.200
4	PLINTH FRONT COVERS H100mm (H2)	709.140	709.160	709.170	709.180	709.180	709.100
5	PLINTH SIDE COVERS H100mm (H2)	710.180	710.180	710.180	710.180	710.180	710.180
6	REAR PANEL	703.418	703.618	703.718	703.818	703.818	703.018
7	FRONT DOOR (SOLID)	704.418	704.618	704.718	704.818	704.811	704.018
7	FRONT DOOR (GLAZED)	-	705.618	705.718	705.818	-	-
8	SIDE PANELS (2 pcs)	706.188	706.188	706.188	706.188	706.188	706.188
10	BAYING KIT	711.000	711.000	711.000	711.000	711.000	711.000

SIZES and MODELS

HEIGHT (H): 2000 mm

ENCLOSURE DEPTH 400 mm (D)		ENCLOSURE WIDTH mm (W)					
STEP	PRODUCT DESCRIPTION	Single Door 600	Single Door 700	Single Door 800	Double Door 800	Single Door 1000	Double Door 1000
1	TOP/BOTTOM GROUP	701.641	701.741	701.841	701.841	701.041	701.041
2	VERTICAL FRAMES GROUP	702.200	702.200	702.200	702.200	702.200	702.200
3	PLINTH CORNER PART H100mm (H2)	708.100	708.100	708.100	708.100	708.100	708.100
3	PLINTH CORNER PART H200mm (H2)	708.200	708.200	708.200	708.200	708.200	708.200
4	PLINTH FRONT COVERS H100mm (H2)	709.160	709.170	709.180	709.180	709.100	709.100
5	PLINTH SIDE COVERS H100mm (H2)	710.140	710.140	710.140	710.140	710.140	710.140
6	REAR PANEL	703.620	703.720	703.820	703.820	703.020	703.020
7	FRONT DOOR (SOLID)	704.620	704.720	704.820	704.821	704.021	704.020
7	FRONT DOOR (GLAZED)	705.620	705.720	705.820	-	-	-
8	SIDE PANELS (2 pcs)	706.204	706.204	706.204	706.204	706.204	706.204
10	BAYING KIT	711.000	711.000	711.000	711.000	711.000	711.000

ENCLOSURE DEPTH 500 mm (D)		ENCLOSURE WIDTH mm (W)						
STEP	PRODUCT DESCRIPTION	Single Door 400	Single Door 600	Single Door 700	Single Door 800	Double Door 800	Single Door 1000	Double Door 1000
1	TOP/BOTTOM GROUP	701.451	701.651	701.751	701.851	701.851	701.051	701.051
2	VERTICAL FRAMES GROUP	702.200	702.200	702.200	702.200	702.200	702.200	702.200
3	PLINTH CORNER PART H100mm (H2)	708.100	708.100	708.100	708.100	708.100	708.100	708.100
3	PLINTH CORNER PART H200mm (H2)	708.200	708.200	708.200	708.200	708.200	708.200	708.200
4	PLINTH FRONT COVERS H100mm (H2)	709.140	709.160	709.170	709.180	709.180	709.100	709.100
5	PLINTH SIDE COVERS H100mm (H2)	710.150	710.150	710.150	710.150	710.150	710.150	710.150
6	REAR PANEL	703.420	703.620	703.720	703.820	703.820	703.020	703.020
7	FRONT DOOR (SOLID)	704.420	704.620	704.720	704.820	704.821	704.021	704.020
7	FRONT DOOR (GLAZED)	-	705.620	705.720	705.820	-	-	-
8	SIDE PANELS (2 pcs)	706.205	706.205	706.205	706.205	706.205	706.205	706.205
10	BAYING KIT	711.000	711.000	711.000	711.000	711.000	711.000	711.000

ENCLOSURE DEPTH 600 mm (D)		ENCLOSURE WIDTH mm (W)						
STEP	PRODUCT DESCRIPTION	Single Door 400	Single Door 600	Single Door 700	Single Door 800	Double Door 800	Single Door 1000	Double Door 1000
1	TOP/BOTTOM GROUP	701.461	701.661	701.761	701.861	701.861	701.061	701.061
2	VERTICAL FRAMES GROUP	702.200	702.200	702.200	702.200	702.200	702.200	702.200
3	PLINTH CORNER PART H100mm (H2)	708.100	708.100	708.100	708.100	708.100	708.100	708.100
3	PLINTH CORNER PART H200mm (H2)	708.200	708.200	708.200	708.200	708.200	708.200	708.200
4	PLINTH FRONT COVERS H100mm (H2)	709.140	709.160	709.170	709.180	709.180	709.100	709.100
5	PLINTH SIDE COVERS H100mm (H2)	710.160	710.160	710.160	710.160	710.160	710.160	710.160
6	REAR PANEL	703.420	703.620	703.720	703.820	703.820	703.020	703.020
7	FRONT DOOR (SOLID)	704.420	704.620	704.720	704.820	704.821	704.021	704.020
7	FRONT DOOR (GLAZED)	-	705.620	705.720	705.820	-	-	-
8	SIDE PANELS (2 pcs)	706.206	706.206	706.206	706.206	706.206	706.206	706.206
10	BAYING KIT	711.000	711.000	711.000	711.000	711.000	711.000	711.000

ENCLOSURE DEPTH 800 mm (D)		ENCLOSURE WIDTH mm (W)						
STEP	PRODUCT DESCRIPTION	Single Door 400	Single Door 600	Single Door 700	Single Door 800	Double Door 800	Single Door 1000	Double Door 1000
1	TOP/BOTTOM GROUP	701.481	701.681	701.781	701.881	701.881	701.081	701.081
2	VERTICAL FRAMES GROUP	702.200	702.200	702.200	702.200	702.200	702.200	702.200
3	PLINTH CORNER PART H100mm (H2)	708.100	708.100	708.100	708.100	708.100	708.100	708.100
3	PLINTH CORNER PART H200mm (H2)	708.200	708.200	708.200	708.200	708.200	708.200	708.200
4	PLINTH FRONT COVERS H100mm (H2)	709.140	709.160	709.170	709.180	709.180	709.100	709.100
5	PLINTH SIDE COVERS H100mm (H2)	710.180	710.180	710.180	710.180	710.180	710.180	710.180
6	REAR PANEL	703.420	703.620	703.720	703.820	703.820	703.020	703.020
7	FRONT DOOR (SOLID)	704.420	704.620	704.720	704.820	704.821	704.021	704.020
7	FRONT DOOR (GLAZED)	-	705.620	705.720	705.820	-	-	-
8	SIDE PANELS (2 pcs)	706.208	706.208	706.208	706.208	706.208	706.208	706.208
10	BAYING KIT	711.000	711.000	711.000	711.000	711.000	711.000	711.000

SCISSILE RAIL SYSTEM



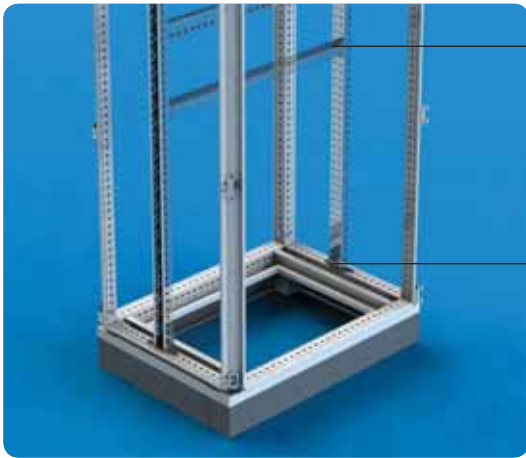
2

1

4



1 SCISSILE RAIL, page 75
50 x25 Perforated structure



6

5



2 HEAVY EQUIPMENT PROFILE, page 76



7

3

5

4

6



3 AUXILIARY RAIL, page 76



4 PLUG-IN RAIL BRACKET, page 77



5 ADJUSTABLE RAIL BRACKET, page 78

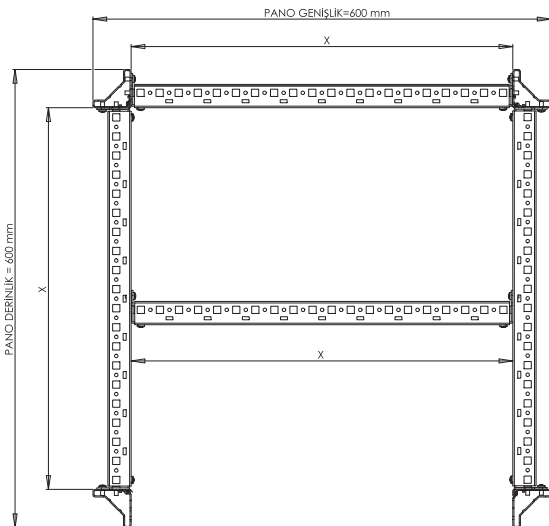


6 ADJUSTABLE RAIL BRACKET, page 79



7

AUXILIARY RAIL BRACKET, page 80



In terms of both width and interior depth size, TEOS body structure is designed at the same coefficient rate. The complete structure inside the body is designed at the 25mm coefficient. Thus, the width rail can also be installed on the depth rail.

SCISSILE RAIL SYSTEM



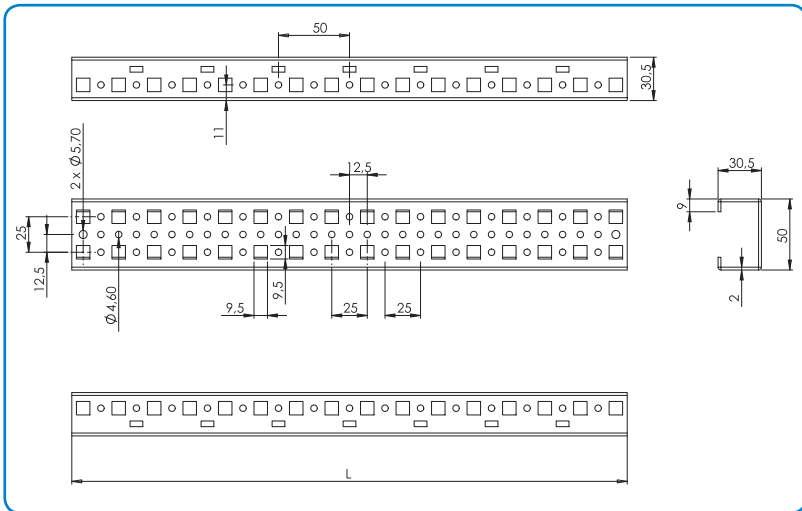
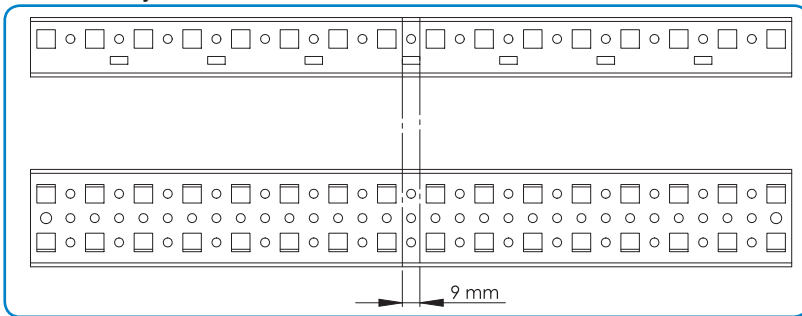
SCISSILE RAIL SYSTEM (50x25 cross-section)

Material : 2.00 mm Mild steel + zinc coated

Supply includes : In product pack there is only rail included. Please be check quantities of rails in pack on sheet below

⚠ Required : There is brackets required to assemble rail. Please see page 77 to 79.

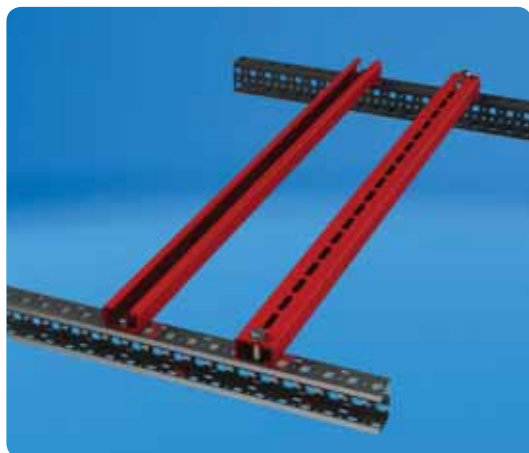
Kesme Detayı



- ▶ It is designed for assembling electrical equipments into the enclosure. It is given advantages for assembling in 3D every directions.
- ▶ It is produced from 2 mm sheet thickness, thanks to this advantage and with bended structure it gives force.
- ▶ There is standard sizes, also the rail can cut to adjust required dimension.
- ▶ The rail coated zinc after production. Thanks to this coating all cutted edges protected against corrosion.
- ▶ To see using styles of rail, please see page 77 to 84.

	ENCLOSURE DEPTH (D)	RAIL NET LENGTH (mm)	PACKS OF	REFERENCE NO.
ENCLOSURE WIDTH(W)	400	291	2	944.422
	500	391	2	944.423
ENCLOSURE WIDTH(W)	600	491	2	944.424
ENCLOSURE WIDTH(W)	700	591	2	944.432
ENCLOSURE WIDTH(W)	800	691	2	944.425
ENCLOSURE WIDTH(W)	1000	891	2	944.426
ENCLOSURE HEIGHT (H)	1200	1091	2	944.427
ENCLOSURE HEIGHT (H)	1600	1491	2	944.428
ENCLOSURE HEIGHT (H)	1800	1691	2	944.429
ENCLOSURE HEIGHT (H)	2000	1891	4	944.430
ENCLOSURE HEIGHT (H)	2200	2091	4	944.431

SCISSILE RAIL SYSTEM



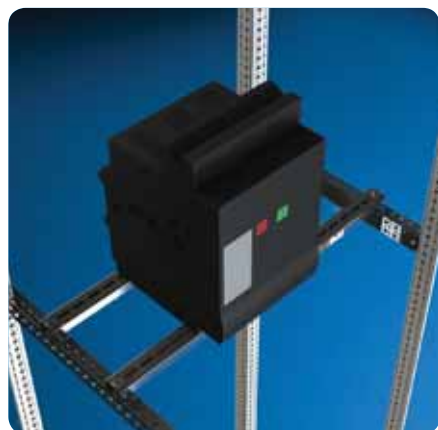
HEAVY EQUIPMENT PROFILE

Material : 3 mm Mild steel + zinc coated

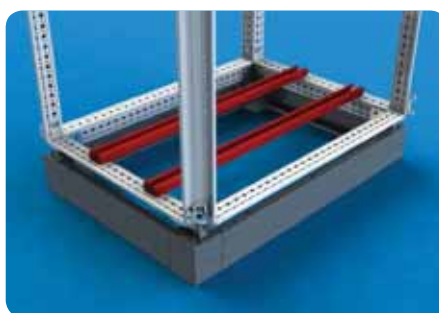
Supply includes : 2 pcs rail and assembly screws

Used for mounting heavy equipments such as base mounting MCCB and transformer.

ENCLOSURE WIDTH(W)	RAIL NET LENGTH (mm)	PACKS OF	REFERENCE NO.
400	360	2	998.540
600	560	2	998.560
700	660	2	998.570
800	760	2	998.580
1000	960	2	998.510



Heavy Equipment application on rails



Heavy Equipment application on base



Application with adjustable flat busbar support

Required :It is required to fixing on frame, 4 pcs of M6 hide nut. Page 97

Required :It is required to fixing on frame, 4 pcs of M6 hide nut. Page 97



AUXILIARY RAIL

Material : 2 mm Mild steel + zinc coated

Supply includes : 1 pcs rail

Used as top tightener on busbar supports. It can be used as freestanding or be fixed on the body with its bracket

Required : Page 80 for rail bracket and assembling parts.



ENCLOSURE DEPTH(D)	RAIL NET LENGTH (mm)	PACKS OF	REFERENCE NO.
400	291	1	998.640
500	391	1	998.650
600	491	1	998.660
800	691	1	998.680



PLUG-IN RAIL BRACKET

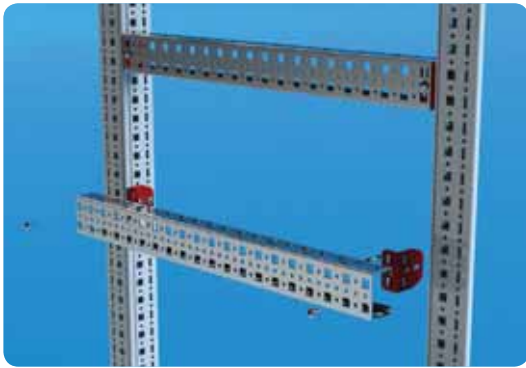
Material : 2 mm mild steel + zinc coated

Reference number : **944.421** (12 pcs.) (Screws included)
944.420 (100 pcs.) (Screws included)

Thanks to this bracket, the enclosure body can be mounted, and the scissile rail can be mounted on the enclosure body. It holds tightly on the enclosure body thanks to its fitting hook. The low relief on the front surface allows for a strong profile hold on the bracket and removes the weight off the bolt.

Recommended for profile mounting on the body.

Moves on the profile or body at 25,00mm long steps.



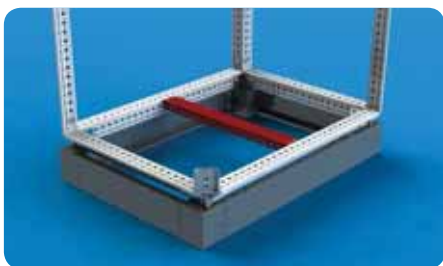
Frame width and depth combination



Vertical frame combination



Frame top combination



Frame bottom combination



Rail width combination (vertical)



Rail width combination (horizontal)



Vertical rail combination



Mounting plate combination

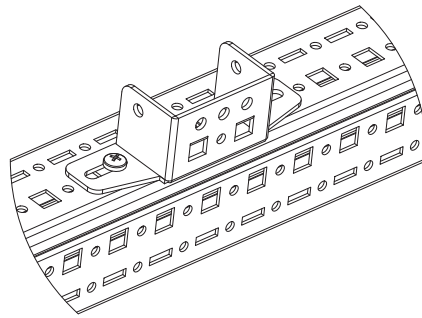
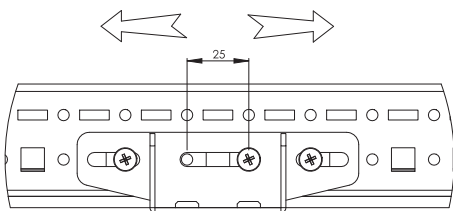
ADJUSTABLE RAIL BRACKET (TYPE T)



Material : 2 mm mild steel + zinc coated
reference number : **944.433** (4 pcs) (screws included)

- ▼ Used for mounting the scissile rail on the enclosure body.
- ▼ Its slot perforations provides the profile with a 25mm axis movement.
- ▼ The rail is able to reciprocate in vertical position. Thanks to this, the equipments mounted on the rail can be aligned to the inner panel position.
- ▼ The busbar support is used to fix the top part on the body when the rail is depth-combined on the body. See page 163
- ▼ The bulge placed on the combination part of the bracket and the rail holds the rail weight and takes the load off the screw.

25mm movement ability on the axis



Vertical combination on the frame



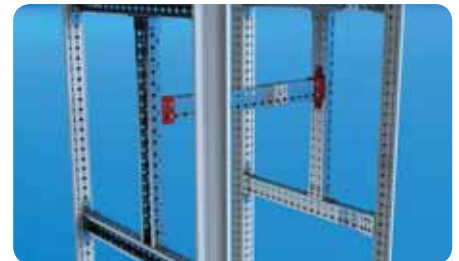
Depth combination on the frame



Combination on the top frame



Vertical combination on the rail



Width combination on the rail (vertical)



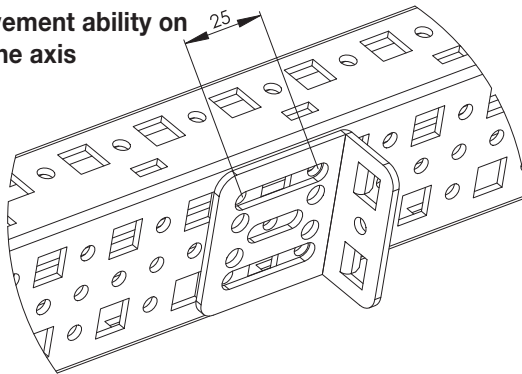
ADJUSTABLE RAIL BRACKET (TYPE L)

Material : 2 mm mild steel + zinc coated

Reference number : 944.434 (4 pcs) (screws included)

- Used for mounting the scissile rail on the enclosure body.
- Its slot perforations provides the profile with a 25mm axis movement
- It is possible to adjust the equipment on the rail placed in the width position according to the inner panel.
- Positions the rail vertically on the enclosure and allows for busbar support mounting. See page 163

25mm movement ability on the axis



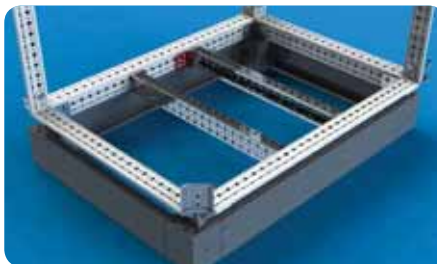
Width combination on the rail



Frame depth combination



Frame top combination (vertical)



Frame bottom combination (vertical)



AUXILIARY RAIL BRACKET

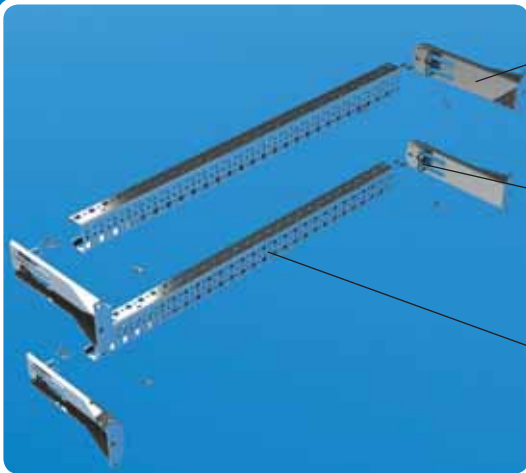
Material : 2 mm mild steel + zinc coated

Reference number : **944.435** (4 pcs) (bolts included)

- ▼ It is brocket for fixing auxiliary rail on the depth frame.
- ▼ The rail position can be adjusted with the help of the slot perforations on the bracket which allow for a 25mm movement on its axis.
- ▼ Used particularly for fixing the top part of the busbar supports on the body.



25A - 630A MCCB KIT



○ 4x Kit Bracket

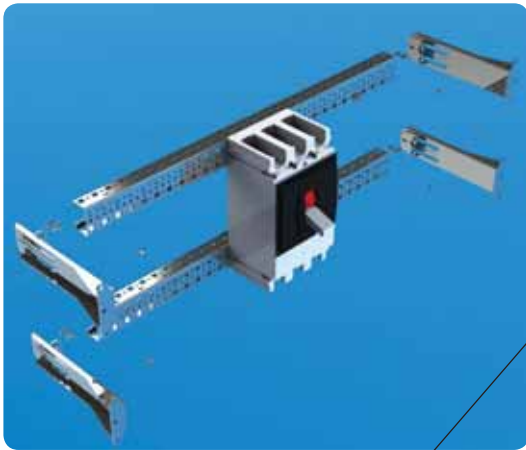
Material : 2 mm mild steel + zinc coated
Reference number : **944.436** (2 pcs.) (Screws included)

○ 4 x Plug-in Rail Bracket (page 77)

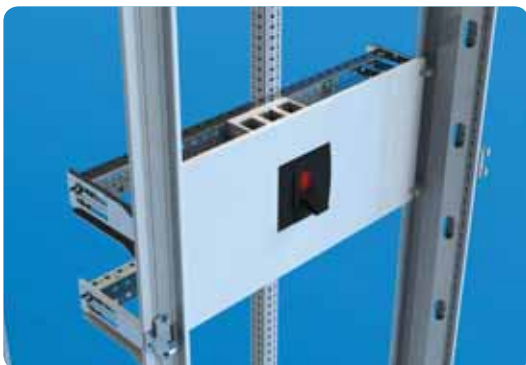
Reference number : **944.420** (100 pcs.) (Screws included)
944.421 (12 adet) (Screws included)

○ 2x Scissile Width Rail (page 75)

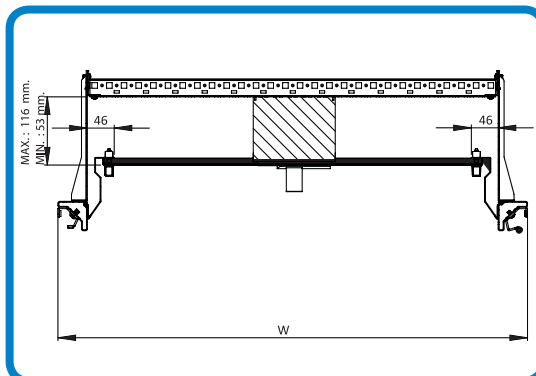
ENCLOSURE WIDTH(W)	RAIL NET LENGTH (mm)	PACKS OF	REFERENCE NO.
400	291	2	944.422
600	491	2	944.424
700	591	2	944.432
800	691	2	944.425



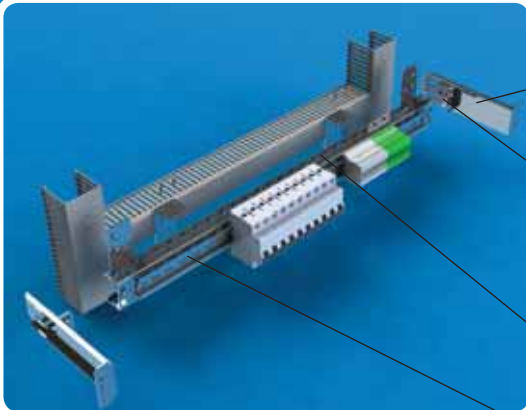
○ 1x Part Mounting Plate page 84



- ▶ This is the kit which enables compact MCCB (from lowest upto 630 Amperes) mounting.
- ▶ As mounted from the front part of the enclosure, it makes it possible for a copper busbar installation by creating space at the back of the enclosure
- ▶ Enables strong mounting with the plug-in rail bracket, and 7,00mm reciprocating motion ability.
- ▶ Offers a more economical solution as it eliminates the use of an entire depth rail.
- ▶ It is accord with cover plate.



MCB AND TERMINAL KIT (BACK-MOUNTED CABLE DUCT)



○ 2x Kit Bracket

Material : 2 mm mild steel + zinc coated
Reference number : **944.436** (2 pcs.) (Screws included)

○ 2x Plug-in rail bracket page 77

Reference number : **944.420** (100 pcs.) (Screws included)
944.421 (12 pcs.) (Screws included)

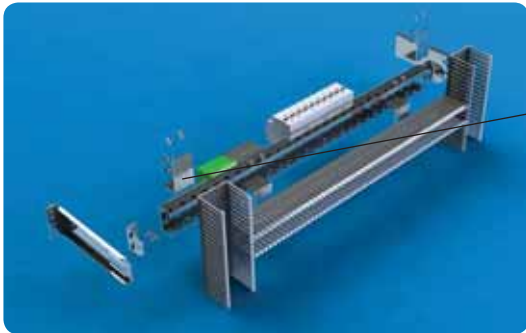
○ 1x scissile width rail

ENCLOSURE WIDTH(W)	RAIL NET LENGTH (mm)	PACKS OF	REFERENCE NO.
400	291	2	944.422
600	491	2	944.424
700	591	2	944.432
800	691	2	944.425



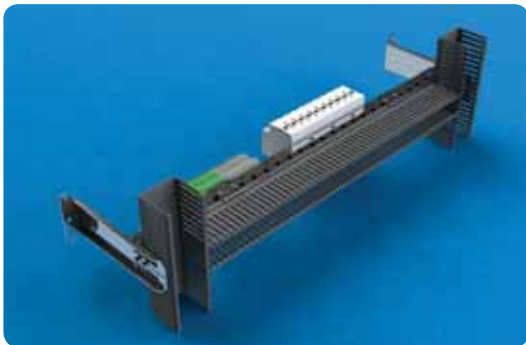
○ 1x terminal / MCB rail H7,5 mm (2 meter) page 211

Reference number : **990.102** (1 pcs.)



○ 3x duct bracket

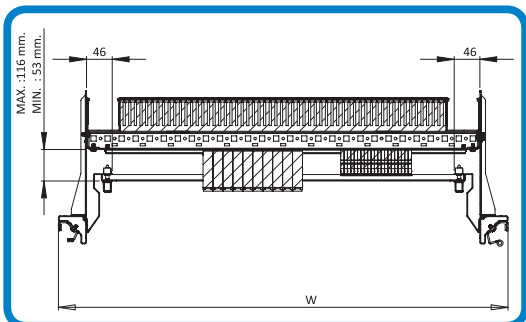
Material : 2 mm mild steel + zinc coated
Reference number : **944.437** (12 pcs.) (Screws included)



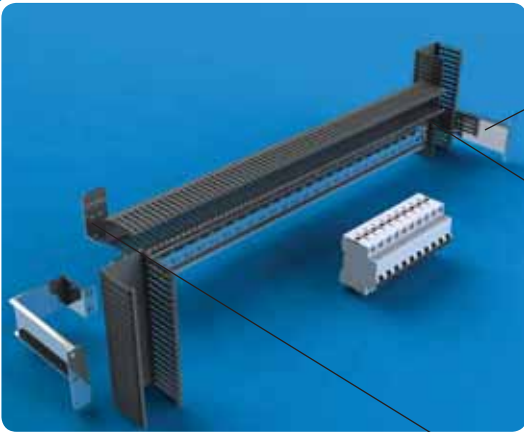
- ▶ Mounts MCBs and terminals on the front enclosure panel without depth profiles.
- ▶ Enables to connect cable ducts from the rear for MCB mountings and mount a maximum number of MCBs.
- ▶ Suitable size: 60x60mm for vertical ducts and 40x60mm for horizontal cable duct layings
- ▶ Mounted on the enclosure body, the mounting kits are designed with 7,00mm stepping perforations and enable mounting both on the MCBs and the terminal boxes.
- ▶ Maximum number of MCBs on the mounting rail:

Enclosure Width MCB Capacity

400	10
600	22
700	27
800	33



MCB KIT (FRONT-MOUNTED CABLE DUCT)



- 2x MCB kit:
 - Material : 2 mm mild steel + zinc coated
 - Reference number : **944.478** (2 pcs.) (Screws included)
- 1x Scissile width MCB rail.

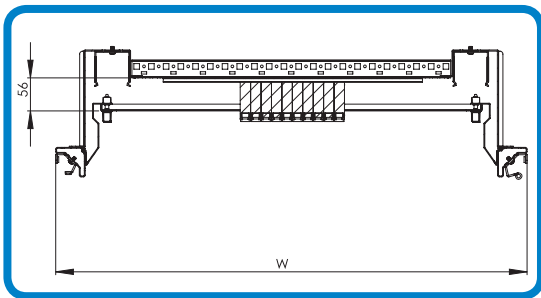
ENCLOSURE WIDTH(W)	RAIL NET LENGTH (mm)	PACKS OF	REFERENCE NO.
400	141	1	944.438
600	341	1	944.439
700	441	1	944.440
800	541	1	944.441



- 2x duct bracket
 - Material : 2 mm mild steel + zinc coated
 - Reference number : **944.437** (12 pcs.) (Screws included)
- 1x terminal / MCB rail H7,5 mm (2 meter) (page 211)
 - Reference number : **990.102** (1 pcs.)

- ▼ Mounts the MCBs on the front enclosure body without depth rails.
- ▼ Cable ducts can be connected from the front for MCB mountings.
- ▼ Suitable size: 60x60mm for vertical cables and 40x60mm for horizontal cable duct layings
- ▼ Maximum number of MCBs on the mounting rail:

Enclosure Width	MCB Capacity
400	5
600	16
700	22
800	27





PARTIAL MOUNTING PLATE

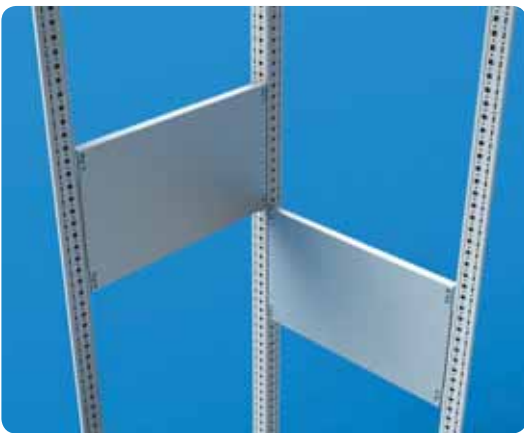
Material : 2,00 mm galvanized steel.

Supply includes : 1 pcs. mounting plate

⚠ Required : 4 pcs plug-in rail bracket required for mounting the mounting plate. Page 77
Reference number: **944.420** (100 pcs.) (Screws included)
944.421 (12 pcs.) (Screws included)



Application on MCCB kit, page 81



Application on enclosure frame

	ENCLOSURE WIDTH(W)	PLATE NET WIDTH(mm)	PLATE NET HEIGHT(mm)	PACKS OF	REFERENCE NO.
ENCLOSURE DEPTH (D)	400	295	150	1	944.442
	400	295	175	1	944.443
	400	295	200	1	944.444
	400	295	250	1	944.445
	400	295	300	1	944.446
	400	295	400	1	944.447
	400	295	500	1	944.448
	400	295	600	1	944.449
ENCLOSURE DEPTH (D)	500	395	400	1	944.450
	600	495	150	1	944.451
	600	495	175	1	944.452
	600	495	200	1	944.453
	600	495	250	1	944.454
	600	495	300	1	944.455
	600	495	400	1	944.456
	600	495	500	1	944.457
	600	495	600	1	944.458
	ENCLOSURE DEPTH (D)	700	595	150	1
700		595	175	1	944.460
700		595	200	1	944.461
700		595	250	1	944.462
700		595	300	1	944.463
700		595	400	1	944.464
700		595	500	1	944.465
700		595	600	1	944.466
ENCLOSURE DEPTH (D)	800	695	150	1	944.467
	800	695	175	1	944.468
	800	695	200	1	944.469
	800	695	250	1	944.470
	800	695	300	1	944.471
	800	695	400	1	944.472
	800	695	500	1	944.473
	800	695	600	1	944.474
	1000	895	175	1	944.475
	1000	895	200	1	944.476
1000	895	250	1	944.477	



According to Busbar Supports
see page 160-181

COVER PLATE SYSTEM



- ▶ For covering off the electrical equipment from the front of enclosure.
- ▶ Modular structure and optional-combination
- ▶ Fixed cover plate application is standard. The panels can move with additional hinge supplies.
- ▶ With cover plate bracket profile, cover plate can be partially or entirely hinged.



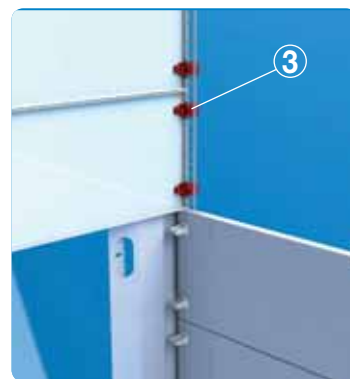
1 Cover plate frame set. Page 87



2 Cover plate. Page 88



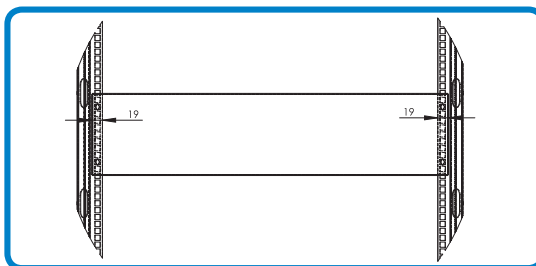
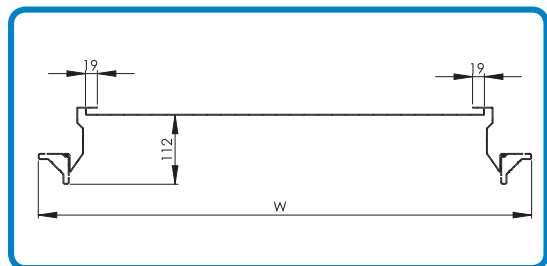
3 Cover Plate. Page 89



4 Bracket profile for cover plate. Page 89



5 Cable protector. Page 89



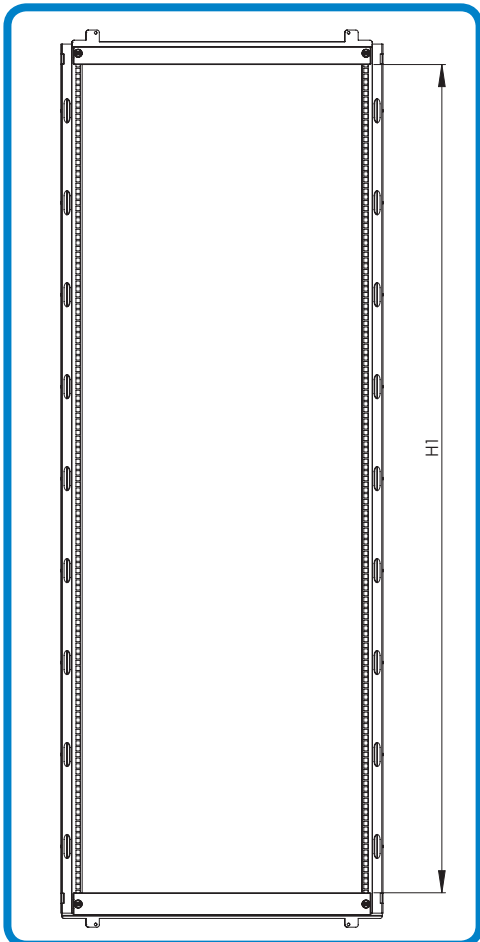


COVER PLATE FRAME SET

Material : 1,50 mm mild steel + RAL 7035 coating

Supply includes : 2 pcs vertical profile, 2 pcs bottom-top closer, 2 pcs bottom-top cover plate, 4 pcs cable protection and assembly parts.

! Attention : You can find the size of the vertical inner panel profile in the drawing and table. Cover plate sizes will be determined according to this size.



ENCLOSURE WIDTH(W)	ENCLOSURE HEIGHT(H)	COVER FRAME NET HEIGHT (H1)(mm)	REFERENCE NO.
400	1800	1600	943.401
	2000	1800	943.402
600	1200	1000	943.403
	1600	1400	943.404
	1800	1600	943.405
700	2000	1800	943.406
	1800	1600	943.407
800	2000	1800	943.408
	1200	1000	943.409
	1600	1400	943.410
	1800	1600	943.411
	2000	1800	943.412

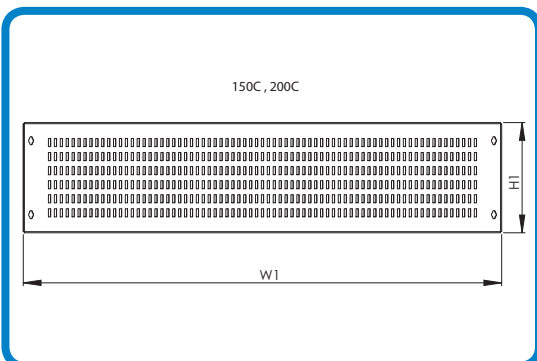
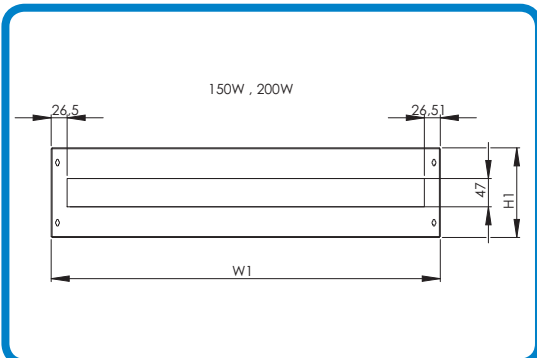
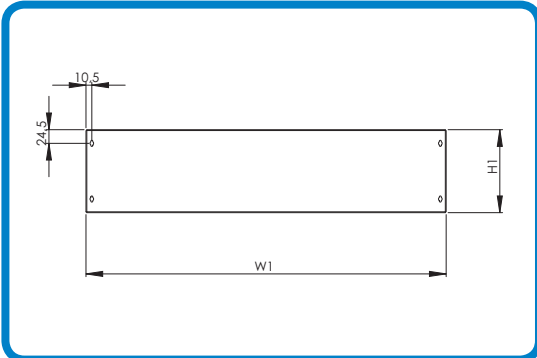


COVER PLATE

Material : 1,50 mm mild steel + RAL 7035 coating

Supply includes : 1 pcs cover plate and mounting parts

! Required : To make hinged cover plate, it is required to select 2 pcs hinge page 89



ENCLOSURE WIDTH (W)	PLATE NET WIDTH (W1)	PLATE NET HEIGHT (H1)	MCB QTY	REFERENCE NO.
400	247	50		943.413
		100		943.414
		150		943.415
		150W	10	943.416
		150C		943.417
		200		943.418
		200W	10	943.419
		200C		943.420
		300		943.421
		400		943.422
600	447	50		943.423
		100		943.424
		150		943.425
		150W	22	943.426
		150C		943.427
		200		943.428
		200W	22	943.429
		200C		943.430
		300		943.431
		400		943.432
700	547	50		943.433
		100		943.434
		150		943.435
		150W	27	943.436
		150C		943.437
		200		943.438
		200W	27	943.439
		200C		943.440
		300		943.441
		400		943.442
800	647	50		943.443
		100		943.444
		150		943.445
		150W	33	943.446
		150C		943.447
		200		943.448
		200W	33	943.449
		200C		943.450
		300		943.451
		400		943.452
		550		943.453
		600		943.454



COVER PLATE HINGE

Material : Zamac 5 ABS plastic
Supply includes : 10 set hinge
Reference number : **950.108** (10 pcs)



BRACKET PFOFILE FOR COVER PLATE

Material : 1,50 mm mild steel + RAL 7035 coating
Supply includes : 1 pc profile and assembly parts

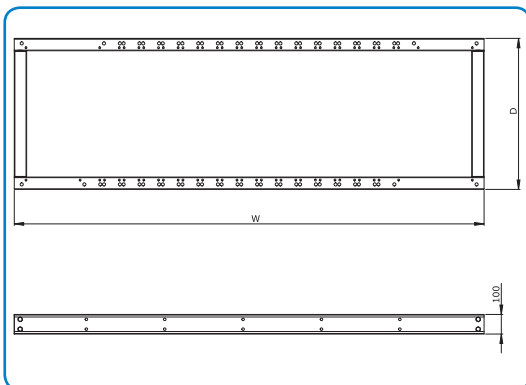
TEOS ENCLOSURE HEIGHT(H)	COVER FRAME NET HEIGHT(mm)	PACKS OF	REFERENCE NO.
1200	1000	1	943.461
1600	1400	1	943.462
1800	1600	1	943.463
2000	1800	1	943.464



CABLE PROTECTOR

Material : PVC rubber
Reference No : **950.109** (10 pcs)

FIXED PLINTH



Material : 3,00 mm / galvanized steel + RAL 7012 coating

Supply includes : Plinth width : 2 pcs plinth and combination parts.
Plinth depth : 2 pcs plinth and combination parts.

! Required : It is required M12x30 screw set for fixing (page 215)

- ▾ Mounts the enclosures combined side-to-side on a single platform.
- ▾ Enclosures are connected to the plinth via M12 perforations placed on the combination corners.
- ▾ It gives advantages in the lifting and forklift. Please see page 108-109
- ▾ Enclosures can be mounted directly on the (standard) plinth.
- ▾ Please refer to our sales department for the manufacturing schedule.

ENCLOSURE WIDTH (W)	REFERENCE NO.
1800	912.100
1900	912.101
2000	912.102
2100	912.103
2200	912.104
2300	912.105
2400	912.106
2500	912.107
2600	912.108
2700	912.109
2800	912.110

ENCLOSURE WIDTH (W)	REFERENCE NO.
2900	912.111
3000	912.112
3100	912.113
3200	912.114
3300	912.115
3400	912.116
3500	912.117
3600	912.118
3700	912.119
3800	912.120
3900	912.121

ENCLOSURE WIDTH (W)	REFERENCE NO.
4000	912.122
4100	912.123
4200	912.124
4300	912.125
4400	912.126
4500	912.127
4600	912.128
4700	912.129
4800	912.130
4900	912.131
5000	912.132

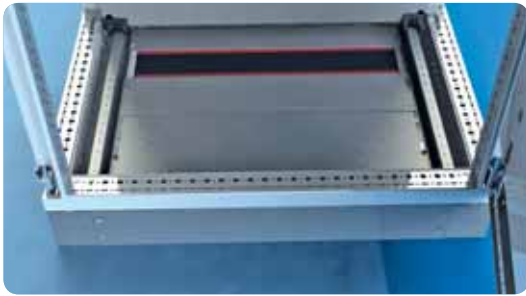
ENCLOSURE DEPTH (D)	REFERENCE NO.
400	912.133
500	912.134
600	912.135
800	912.136

M12 LEVELING FEET



Supply includes : 4 pcs M12 Leveling Feet

Reference No : 995.510



FOAM RUBBER CABLE ENTRY SYSTEM

Related Size : ENCLOSURE WIDTH

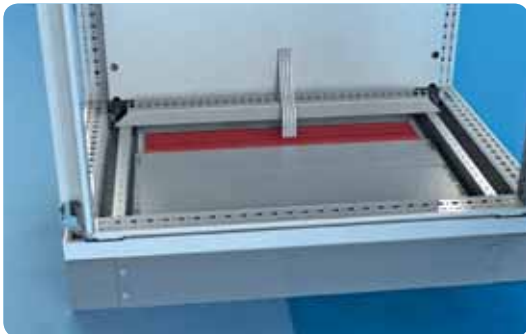
Material : Polyurethane foam

Supply includes : Polyurethane foam, combination profile and parts

Note : 2 accessories per (1000mm and 1200mm wide) foam entry system

Attention : This application can only be used on teos plus+ or gland plate applications.

ENCLOSURE WIDTH(mm)	REFERENCE NO.
400	923.400
600	923.600
700	923.700
800	923.800
1000 *	923.100
1200 *	923.120



BRUSHED CABLE ENTRY SYSTEM

Related size : ENCLOSURE WIDTH

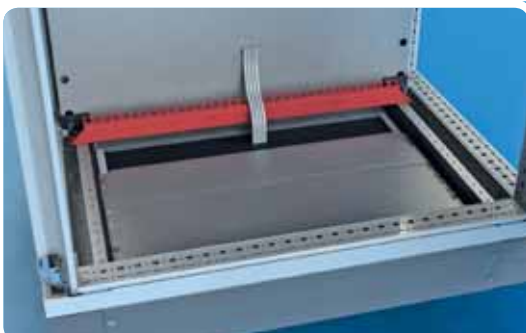
Material : ABS plastic

Supply includes : Strip brush, combination profile and parts

Note : 2 accessories per (1000mm and 1200mm wide) brush entry system

Attention : This application can only be used on teos plus+ or gland plate applications.

ENCLOSURE WIDTH(mm)	REFERENCE NO.
400	923.401
600	923.601
700	923.701
800	923.801
1000 *	923.101
1200 *	923.121



CABLE CLAMP RAIL (CLIP-ON)

Related size : ENCLOSURE WIDTH

Material : 2,00 mm mild steel + zinc-plating

Supply includes : Cable bracket combination profile and combination parts.

Attention : This application can only be used on teos plus+ or gland plate applications.

ENCLOSURE WIDTH(mm)	REFERENCE NO.
400	998.400
600	998.600
700	998.700
800	998.800
1000	998.100
1200	998.120



MOUNTING PLATE in 2,00 mm sheet thickness

Material : 2,00 mm / galvanized steel

Supply includes : 1 pcs mounting plate and mounting parts.

! Required : 2 pcs mounting plate bracket for supporting the mounting plate from middle. **943.465** (2 pcs) page 94

! Attention : 2 pcs scissile support rail for moving front to back the mounting plate.

TEOS ENCLOSURE mm

WIDTH (W)	HEIGHT (H)	REFERENCE NO.
600	1200	717.612
600	1600	717.616
600	1800	717.618
600	2000	717.620



TEOS ENCLOSURE mm

WIDTH (W)	HEIGHT (H)	REFERENCE NO.
700	1800	717.718
700	2000	717.720
800	1200	717.812
800	1600	717.816
800	1800	717.818
800	2000	717.820





MOUNTING PLATE BRACKET

Material : 2,00mm mild steel + zinc-coated

Supply includes : 2 pcs bracket and assembling screws.

Reference No : **943.465** (2 pcs)

Attention : 6 pcs part necessary for using the mounting plate at the bottom-most inside the enclosure body.

- ▼ This part can be used for centre-support in the mounting plates.
- ▼ This part is needed for bottom-most use of the mounting plate.
- ▼ Enables side-use for mounting plates



INTERMEDIATE MOUNTING PLATE

Related size : ENCLOSURE WIDTH

Material : 2,00 mm galvanized steel

Supply includes : 1 pcs mounting plate, 3 pcs bracket and assembling parts.

ENCLOSURE WIDTH(mm)	REFERENCE NO.
1200	712.120
1600	712.160
1800	712.180
2000	712.200
2200	712.220



EDGE EXTENSION FOR MOUNTING PLATE

Material : 2,00 mm galvanized steel

Supply includes : 2 pcs extension part and assembling parts

ENCLOSURE HEIGHT(H)	REFERENCE NO.
1200	712.121
1600	712.161
1800	712.181
2000	712.201
2200	712.221



DIVIDING PANEL

Material : 1,5 mm Mild steel + RAL 7035 coating

Supply includes : 1 pcs panel and assembling parts.

▼ Used for separating enclosures and mounting applications.

TEOS ENCLOSURE mm			TEOS ENCLOSURE mm		
HEIGHT (H)	DEPTH (D)	REFERANS NO.	HEIGHT (H)	DEPTH (D)	REFERANS NO.
1800	400	935.001	2000	400	935.005
1800	500	935.002	2000	500	935.006
1800	600	935.003	2000	600	935.007
1800	800	935.004	2000	800	935.008
			2200	600	935.009



19" COMBINATION PROFILES

Material : 2,00mm mild steel+ zinc-plating

Supply includes : 4 pcs profile and combination screws

⚠ **Required** : 6 pcs scissile rail for 600mm width enclosure applications on depth side of enclosure. In 800 mm width enclosures, 6 pcs 800 mm width adapter requires. See page 95

TEOS ENCLOSURE HEIGHT(H)	UNIT U	REFERENCE NO.
1200	24	944.930
1600	33	944.931
2000	42	944.932



800 mm WIDTH ADAPTER (19")

Material : 2,00mm mild steel+ zinc-plating

Supply includes : 6 pcs adapter and assembling parts.

Reference No : Enclosure depth: 600 mm: **944.933**
Enclosure depth: 800 mm: **944.934**



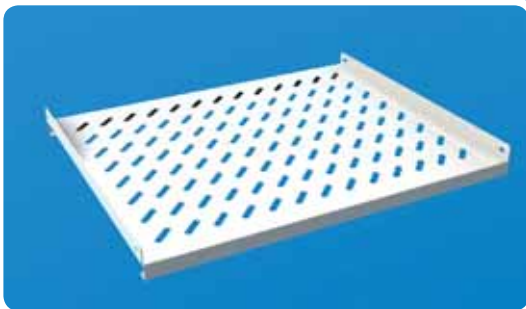
19" SWING FRAME

Material : 2,00 mild steel + RAL 7035 coating

Supply includes : 1 set of swing frame (lock-hinges included)

TEOS ENCLOSURE			
WIDTH (W)	HEIGHT (H)	UNIT U	REFERANS NO.
600	1200	22	944.935
	1600	31	944.936
	1800	36	944.937
	2000	40	944.938
	2200	45	944.939

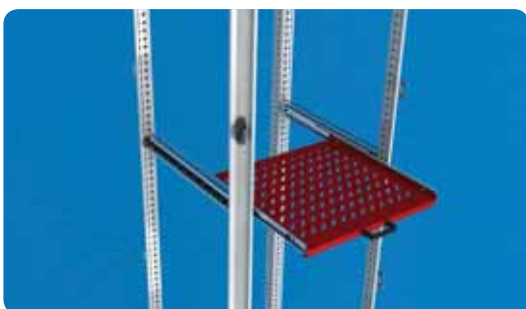
TEOS ENCLOSURE			
WIDTH (W)	HEIGHT (H)	UNIT U	REFERANS NO.
800	1200	22	944.940
	1600	31	944.941
	1800	36	944.942
	2000	40	944.943
	2200	45	944.944



FIXED and MOVABLE SHELF

Material : 1,50mm mild steel+RAL 7035 coating

Supply includes : 1 pcs shelf and combination parts.



TEOS ENCLOSURE		
WIDTH (W)	DEPTH (D)	REFERANS NO.
FIXED SHELF IN FULL SIZE		
600	600	945.200
	800	945.201
MOVABLE SHELF IN FULL SIZE		
600	600	945.400
	800	945.401
FIXED SHELF IN 19" SYTEM		
	600	945.204
	800	945.205
MOVABLE SHELF IN 19" SYSTEM		
	600	945.404
	800	945.405

TEOS ENCLOSURE		
WIDTH (W)	DEPTH (D)	REFERANS NO.
FIXED SHELF IN FULL SIZE		
800	600	945.202
	800	945.203
MOVABLE SHELF IN FULL SIZE		
800	600	945.402
	800	945.403



KNITTED EARTHING CABLE

Material : Copper-+tin-plating

Supply includes : 5 pcs cable and screws

Reference No : 991.202 (5 pcs)



M6 HIDE NUT

▼ Necessary for installing the support and mounting rails on the enclosure. Installed from square perforations placed on the front surface of closed profiles.

Reference No : 994.170 (100 pcs packs)

SWING LOCK INSERT APPLICATIONS



Reference No : 4444 key : **950.104**
 Doublebit key : **950.105**
 6,50 mm triangle key : **950.106**
 7,00 mm square key : **950.107**

SWING LOCK KEYS



Reference No : 4444 key : **952.301**
 Doublebit key : **952.101**
 6,50 mm triangle key : **952.200**
 7,00 mm square key : **952.201**

DOOR RAIL FOR CABLE DUCT



Related size : ENCLOSURE WIDTH
 Material : 2,00 mm mild steel + zinc-plating
 Supply includes : 1 pcs door rail and assembling parts.

Attention Note : 2 pcs of door channel profile accessory needed for 800mm, 1000mm and 1200mm wide double doors.

ENCLOSURE WIDTH(mm)	REFERENCE NO.
400	997.104
600	997.113
700	997.116
800	997.114
Double Door 800	997.118
1000	997.111
Double Door 1000	997.115
Double Door 1200	997.112

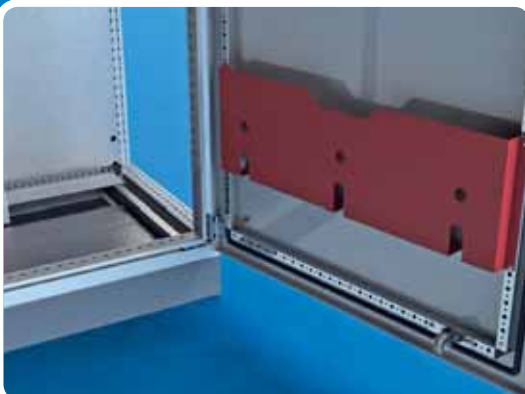


DOOR STOPPER

It is using for angle limitation door.

Reference No : **905.202**

METAL PLAN POCKET



Related size : ENCLOSURE WIDTH
 Material : 1,50 mm mild steel + RAL 7035 powder-coating
 Supply includes : 1 pcs metal plan pocket and assembling parts

ENCLOSURE WIDTH(mm)	REFERENCE NO.
400	994.704
600	994.706
700	994.707
800	994.708
Double Door 800	994.718
1000	994.711
Double Door 1000	994.710
Double Door 1200	994.712



LED LIGHT ENCLOSURE LAMP (Screwed Type)

- ▾ 230V AC 6W
- ▾ 2 pcs of socket plugs + switch cable

Reference No : **901.110**

! **Required** : Lamp rail is required for fixing the lamp. See page 100.



LED LIGHT ENCLOSURE LAMP (Magnetic Type)

- ▾ 230V AC 6W
- ▾ 2 pcs of socket plugs + switch cable

Reference No : **901.120**



DOOR LAMP SWITCH

- ▾ 230V, 3A ve IP 65 protection
- ▾ Without cable

Reference No : **902.110**

! **Required** : Switch bracket for switch mounting.
(See other lighting accessories, page 100)



LAMP RAIL

Related size : ENCLOSURE WIDTH

Material : 2,00mm mild steel + zinc-plating

Supply includes : 1 pcs lamp bracket rail and assembling parts

ENCLOSURE WIDTH(mm)	REFERENCE NO.
400	903.204
600	903.206
700	903.207
800	903.208
1000	903.210
1200	903.212



SWITCH BRACKET

Material : 2,00mm mild steel + zinc-plating

Supply includes : 1 pcs switch bracket and assembling parts

Reference No : **903.300**



ROOF TYPE VENTILATION FAN

Colour : RAL 7035

IP Protection : IP 54

Used Fan : Ebm

▼ Used in 230V AC.

▼ It ejects the heated air inside of the enclosure coming from vertical angle to horizontal angle. From the reason type of fan which ejects the air with horizontal angle, the counterpressure is at the minimum level. By this way it makes active and economic cooling with less power/ consumption and low fan cost.

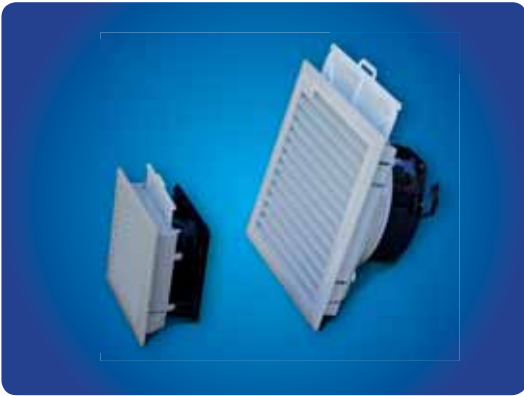
▼ It requires sufficient size of air filters for compensation of the enclosure inside pressure between fan force of gravity.

▼ It suggests using at the situation which the maximum inside required temperature is higher than or equal maximum outside temperature

▼ Required max. inside temp. \geq Outside max. temp



FAN FLOW	FAN POWER	REFERENCE NO.
560 m ³ /saat	58 W	982.202
970 m ³ /saat	85 W	982.203



FAN WITH FILTERS

Colour : RAL 7035

IP Protection : IP 54

Fan : Ebm

- ▼ 230V AC Voltage
- ▼ It suggests using at the situation which the maximum inside required temperature is higher than or equal maximum outside temperature.
- ▼ At standard fans fix to eject air. For opposite the fan positions must be changed.



FILTER SIZE	AIR FLOW	FAN POWER	REFERENCE NO
150 x 150 mm	60 m ³ /saat	19 W	983.131
250 x 250 mm	160 m ³ /saat	45 W	983.141
250 x 250 mm	450 m ³ /saat	64 W	983.151



AIR FILTERS

Colour : RAL 7035

IP Protection : IP 54

FILTER SIZE	REFERENCE NO
150 x 150 mm	983.106
250 x 250 mm	983.107
325 x 325 mm	983.110



**PLEASE SEE PAGE 188-190 FOR
ENCLOSURE AIR-CONDITIONERS**



**PLEASE SEE PAGE 191-193 FOR
ENCLOSURE HEAT EXCHANGER**



**PLEASE SEE PAGE 194 FOR
ENCLOSURE HEATERS**



**PLEASE SEE PAGE 195 FOR
ENCLOSURE THERMOSTATS**



Please see page 196 - 201 for Fire Protection And Extinguishing Systems

ENCLOSURE BAYING / COMBINATING and LIFTING ACCESSORIES



▼ **BAYING KIT GENERAL PACK (711.000)**
Please see page 58

- 1-) 2x Combination angles. Reference no: **711.001** (2 pcs)
- 2-) 4x Fixing bracket. Reference no: **711.002** (4 pcs)
- 3-) 4x angular brackets. Reference no: **711.003** (4 pcs)
- 4-) 2x adjustable bracket. Reference no: **711.004** (2 pcs)
- 5-) 5,60 m 10x3 gasket. Z: **992.100** (see page 211)



- 6-) Top angle iron lifting, page 106
- 7-) Fixed plinth, page 90



- 8-) Corner enclosure, page 107



TOP ANGLE IRON COMBINATION

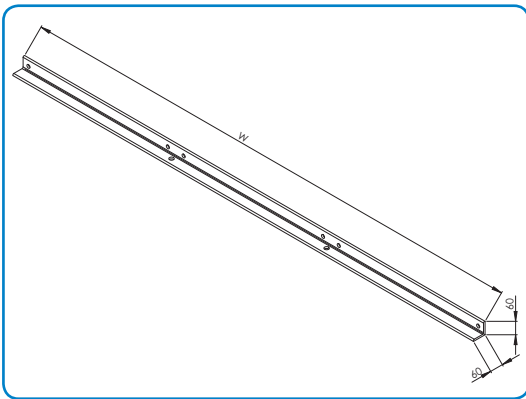
Material : 60x60 mm x 5 mm + RAL 7012 coating

Supply includes : 2 length angle bending

Required : 4 pcs M12x30 screw set is required for each enclosure. See page 215.

▶ This connection type is particularly used for heavy enclosure combination and support applications. Do the supporting in accordance with supporting instructions. Please see page 108-109 for supporting instructions.

▶ Please refer to our sales department for the manufacturing schedule.



ANGLE BRACKET WIDTH(mm)	REFERENCE NO.
1800	912.137
1900	912.138
2000	912.139
2100	912.140
2200	912.141
2300	912.142
2400	912.143
2500	912.144
2600	912.145
2700	912.146
2800	912.147

ANGLE BRACKET WIDTH(mm)	REFERENCE NO.
2900	912.148
3000	912.149
3100	912.150
3200	912.151
3300	912.152
3400	912.153
3500	912.154
3600	912.155
3700	912.156
3800	912.157
3900	912.158

ANGLE BRACKET WIDTH(mm)	REFERENCE NO.
4000	912.159
4100	912.160
4200	912.161
4300	912.162
4400	912.163
4500	912.164
4600	912.165
4700	912.166
4800	912.167
4900	912.168
5000	912.169



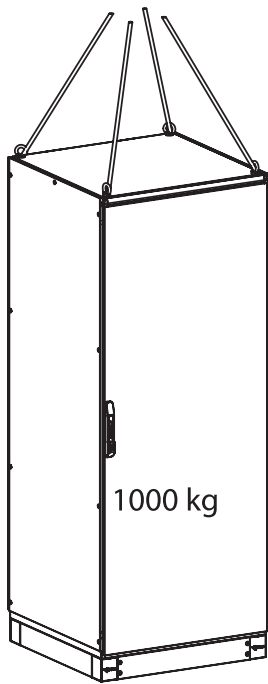
CORNER ENCLOSURE

- ▼ Designed for enclosures when enclosures are combined as an L. Door opening has been increased by means of door suspending adapter.
- ▼ Use the table below for corner enclosure options. Bottom-top plinth frame and vertical frame group are standard. Only the panel set and adapter group is chosen in accordance with enclosure depth.
- ▼ Inner enclosure applications and panel combination parts can be applied as standard.

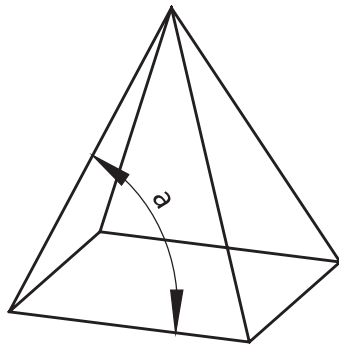
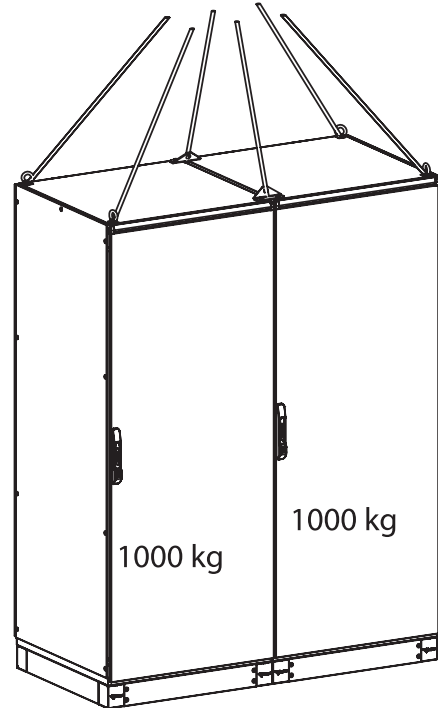


HEIGHT (H)	DEPTH (D)	REFERENCE NO.
ADAPTER PART		
1800	600	933.000
	800	933.001
2000	600	933.002
	800	933.003
PANEL SET		
1800	600	933.004
	800	933.005
2000	600	933.006
	800	933.007

1000 kg

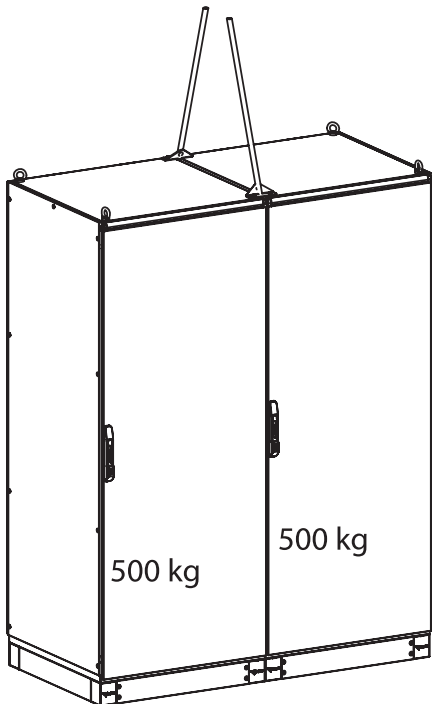


2000 kg

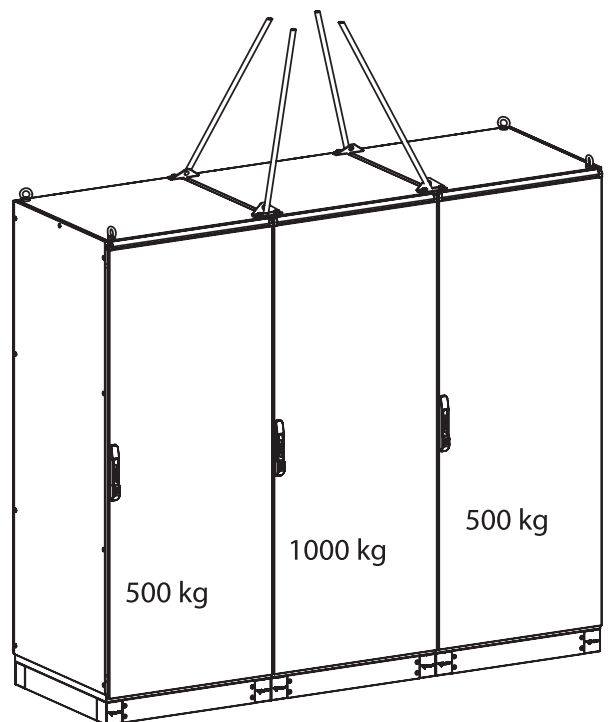


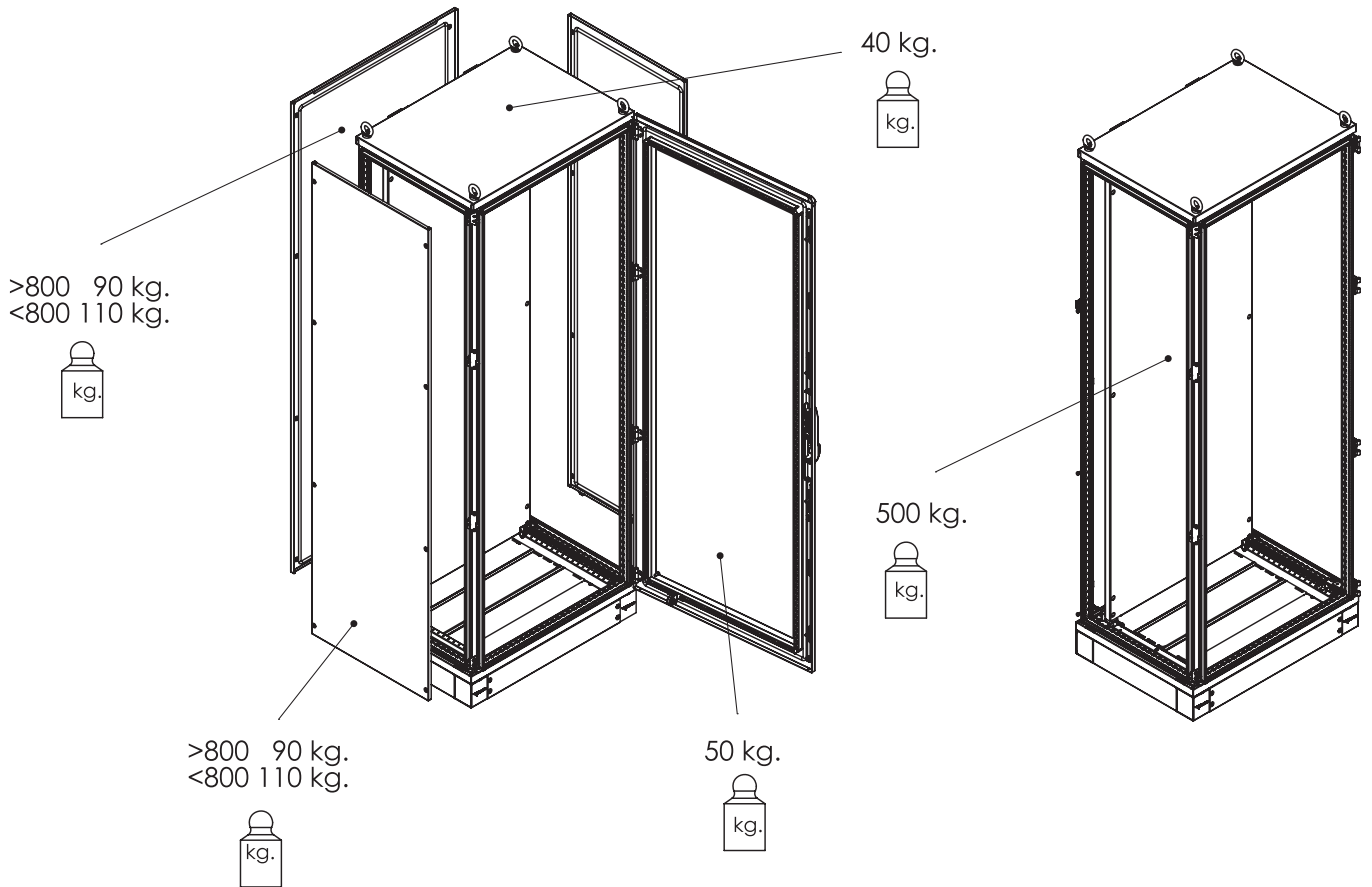
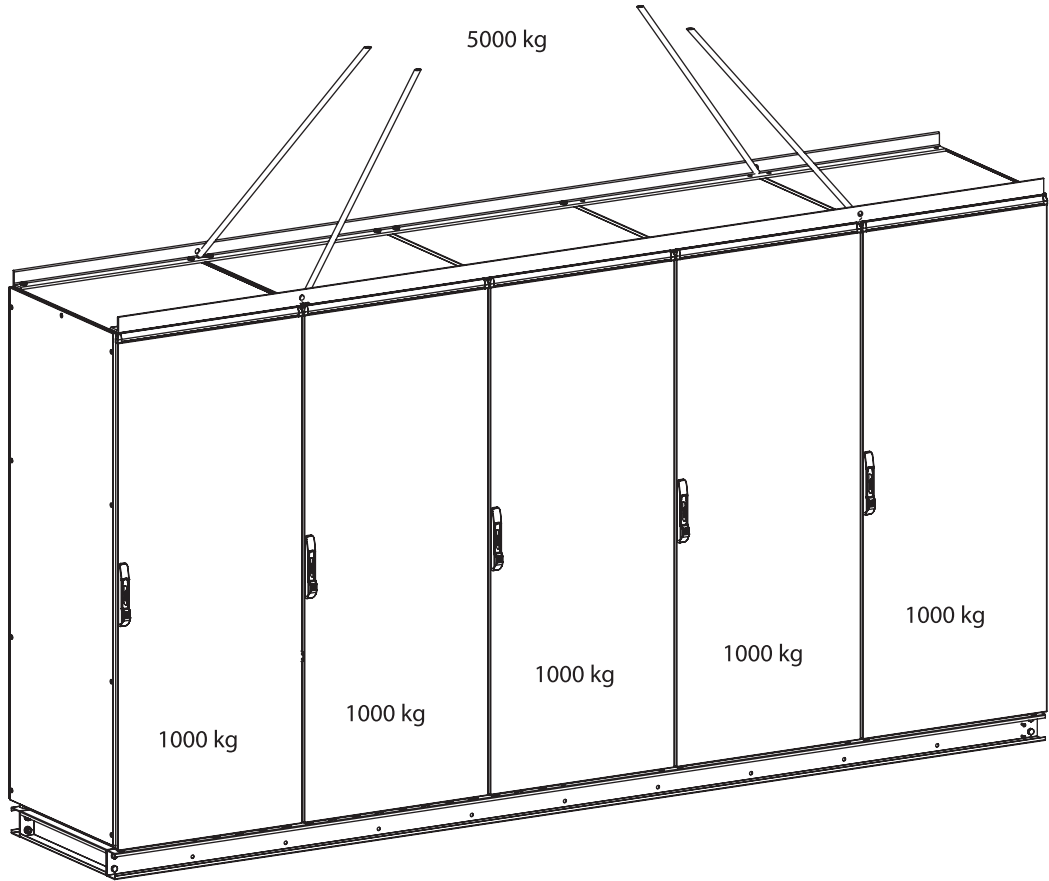
IDEAL α \geq 60°
MIN α \geq 45°

1000 kg



2000 kg











1

ASSEMBLED ENCLOSURE

Material : Enclosure frame: 1,50 mm mild steel+RAL 7035 coating
 Door: 2,00 mm mild steel+RAL 7035 coating
 Rear panel: 1,20 mm mild steel+RAL 7035 coating

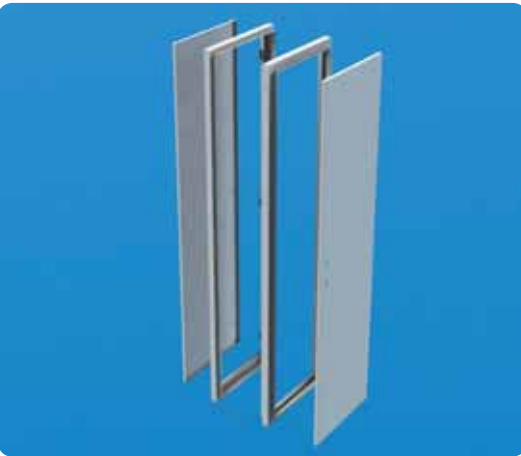
Gland plate: 1,50 mm galvanized steel
 Plinth corners: 2,00 mm galvanized steel
 + RAL 7035 coating
 Plinth panels: 1,50 mm galvanized steel sheet
 + RAL 9005 coating

IP Protection : IP55

Supply includes : 1 set of enclosure frame, 1 pcs door, 1 pcs rear panel,
 1 pcs top cover, 1 pcs gland plate, 1 set of plinth,
 1 set of enclosure combination kit, 4 pcs lifting hook.

- ▼ Please see page 121-131 for accessories.
- ▼ Please see page 224-225 for technical drawings.
- ▼ Please see page 148-149 for stainless steel AISI 304 (1.361) products.
- ▼ Please see page 115-119 for product selection table.

FLAT PACKAGE ENCLOSURE

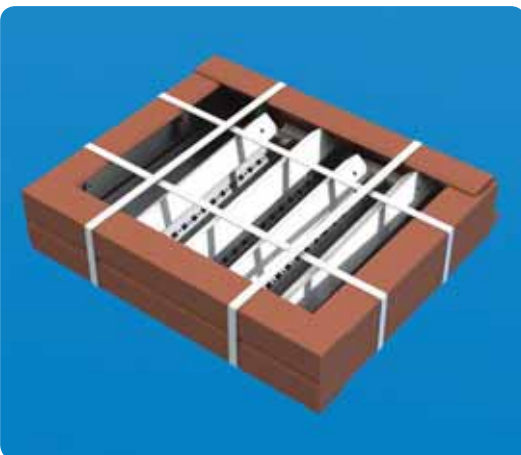


1/1

FLAT PACKAGE MAIN BODY

Supply includes : 2 pcs enclosure width - height frame, 1 pcs front door,
 1 pcs rear panel.

- ▼ Please see page 115-119 for product selection table.



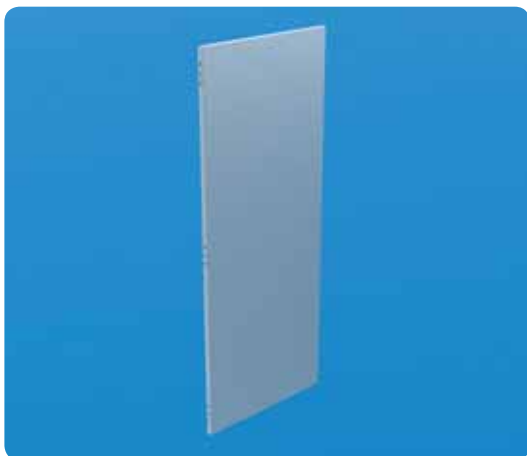
1/2

FLAT PACKAGE BOTTOM-TOP GROUP

Supply includes : 4 pcs enclosure depth frame, 1 pcs top panel,
 1 pcs gland plate, 1 pcs enclosure combination kit,
 4 pcs lifting hook and enclosure combination part.

! Attention : Products seen as H100mm and H200mm in the option table are respectively shown as 1/2 100 and 1/2 200.

- ▼ Please see page 115-119 for product selection table.



2 MOUNTING PLATE

Material : 2,00 mm galvanized steel

Supply includes : 1 pcs mounting plate

! Note : The mounting plate is mounted on the rear in standard equipments. Mounting plate move rails is required for reciprocating the mounting plate.

▼ Please see page 115-119 for product option table.



3 INTERMEDIATE MOUNTING PLATE

Material : 2,00 mm galvanized steel

Supply includes : 1 pcs mounting plate

! Note : Intermediate mounting plate is fixed and cannot move.

▼ Please see page 115-119 for the option table.



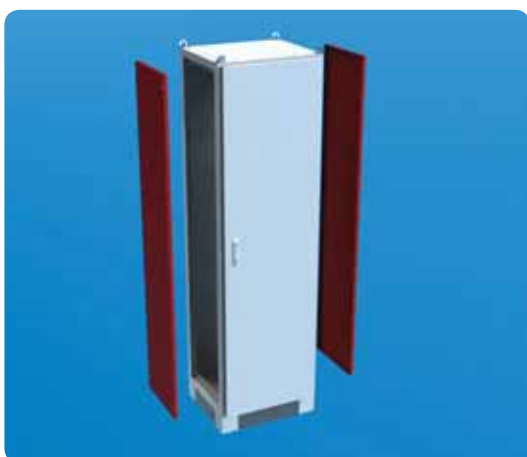
4 MOUNTING PLATE MOVE RAILS

Material : Depth rails and cradles: 2,00 mm galvanized steel

Supply includes : 6 pcs depth rail, 6 pcs cradles and combination screw.

! Note : Only required for mounting plate moves.
Not required for fixed, back-mounted mounting plates.
Not used with intermediate mounting plate.

▼ Please see page 115-119 for the option table.



5 SIDE PANELS (2 PCS)

Material : 1,20-1,50 mm Mild steel + RAL 7035 coating

Supply includes : 2 pcs (a couple of) side panel and screws.

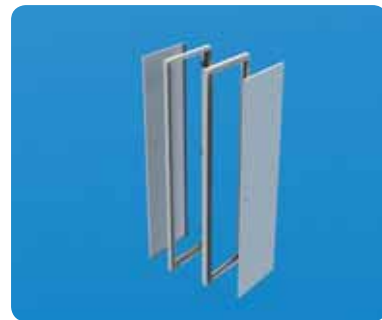
▼ Please see page 115-119 for the option table.

1 ASSEMBLED ENCLOSURE

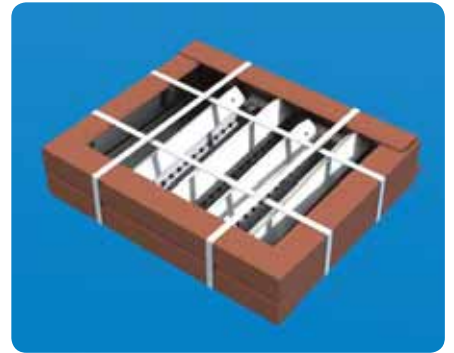


Supply includes:
Enclosure frame, front door, rear panel, gland plate, H100 plinth set

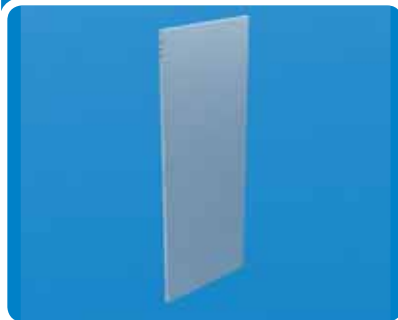
1/1 FLAT PACKAGE MAIN BODY



1/2 FLAT PACKAGE BOTTOM-TOP GROUP



2 MOUNTING PLATE



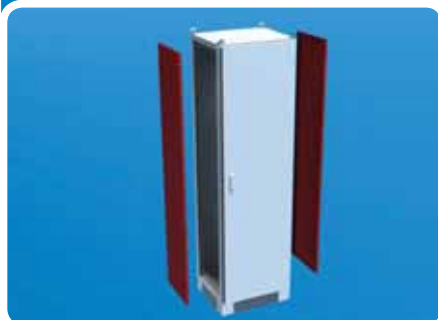
3 INTERMEDIATE MOUNTING PLATE



4 MOUNTING PLATE MOVE RAILS

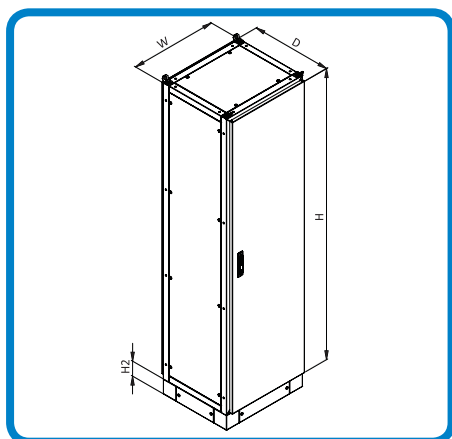


5 SIDE PANEL (1 SET)



DT FLOOR STANDING MODULAR ENCLOSURE

SIZES and MODELS



HEIGHT (H): 1200 + 100 mm

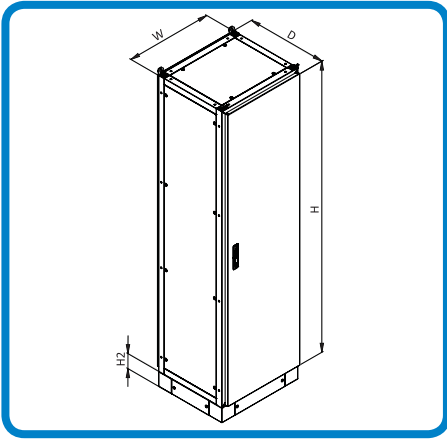
ENCLOSURE DEPTH 400mm (D)		ENCLOSURE WIDTH mm (W)	
STEP	PRODUCT DESCRIPTION	SINGLE DOOR 600	SINGLE DOOR 800
1	ASSEMBLED ENCLOSURE H2:100mm	136.124.N	138.124.N
1/1	FLAT PACKAGE MAIN BODY	146.120	148.120
1/2	FLAT PACKAGE TOP-BOTTOM H2:100mm	961.064	961.084
1/2	FLAT PACKAGE TOP-BOTTOM H2:200mm	962.064	962.084
2	MOUNTING PLATE	942.612	942.812
3	INTERMEDIATE MOUNTING PLATE	997.512	997.512
4	MOUNTING PLATE MOVE RAILS	964.400	964.400
5	SIDE PANELS (2 pics)	932.412	932.412

ENCLOSURE DEPTH 500mm (D)		ENCLOSURE WIDTH mm (W)	
STEP	PRODUCT DESCRIPTION	SINGLE DOOR 600	SINGLE DOOR 800
1	ASSEMBLED ENCLOSURE H2:100mm	136.125.N	138.125.N
1/1	FLAT PACKAGE MAIN BODY	146.120	148.120
1/2	FLAT PACKAGE TOP-BOTTOM H2:100mm	961.065	961.085
1/2	FLAT PACKAGE TOP-BOTTOM H2:200mm	962.065	962.085
2	MOUNTING PLATE	942.612	942.812
3	INTERMEDIATE MOUNTING PLATE	997.512	997.512
4	MOUNTING PLATE MOVE RAILS	964.500	964.500
5	SIDE PANELS (2 pics)	932.512	932.512

ENCLOSURE DEPTH 600mm (D)		ENCLOSURE WIDTH mm (W)	
STEP	PRODUCT DESCRIPTION	SINGLE DOOR 600	SINGLE DOOR 800
1	ASSEMBLED ENCLOSURE H2:100mm	136.126.N	138.126.N
1/1	FLAT PACKAGE MAIN BODY	146.120	148.120
1/2	FLAT PACKAGE TOP-BOTTOM H2:100mm	961.066	961.086
1/2	FLAT PACKAGE TOP-BOTTOM H2:200mm	962.066	962.086
2	MOUNTING PLATE	942.612	942.812
3	INTERMEDIATE MOUNTING PLATE	997.512	997.512
4	MOUNTING PLATE MOVE RAILS	964.600	964.600
5	SIDE PANELS (2 pics)	932.612	932.612

DT FLOOR STANDING MODULAR ENCLOSURE

SIZES and MODELS



HEIGHT (H): 1600 + 100 mm

ENCLOSURE DEPTH 400mm (D)		ENCLOSURE WIDTH mm (W)	
STEP	PRODUCT DESCRIPTION	SINGLE DOOR 600	SINGLE DOOR 800
1	ASSEMBLED ENCLOSURE H2:100mm	136.164.N	138.164.N
1/1	FLAT PACKAGE MAIN BODY (SOLID DOOR)	146.160	148.160
1/1	FLAT PACKAGE MAIN BODY (GLAZED DOOR)	156.160	158.160
1/2	FLAT PACKAGE TOP-BOTTOM H2:100mm	961.064	961.084
1/2	FLAT PACKAGE TOP-BOTTOM H2:200mm	962.064	962.084
2	MOUNTING PLATE	942.616	942.816
3	INTERMEDIATE MOUNTING PLATE	997.516	997.516
4	MOUNTING PLATE MOVE RAILS	964.400	964.400
5	SIDE PANELS (2 pics)	932.416	932.416

ENCLOSURE DEPTH 500mm (D)		ENCLOSURE WIDTH mm (W)	
STEP	PRODUCT DESCRIPTION	SINGLE DOOR 600	SINGLE DOOR 800
1	ASSEMBLED ENCLOSURE H2:100mm	136.165.N	138.165.N
1/1	FLAT PACKAGE MAIN BODY (SOLID DOOR)	146.160	148.160
1/1	FLAT PACKAGE MAIN BODY (GLAZED DOOR)	156.160	158.160
1/2	FLAT PACKAGE TOP-BOTTOM H2:100mm	961.065	961.085
1/2	FLAT PACKAGE TOP-BOTTOM H2:200mm	962.065	962.085
2	MOUNTING PLATE	942.616	942.816
3	INTERMEDIATE MOUNTING PLATE	997.516	997.516
4	MOUNTING PLATE MOVE RAILS	964.500	964.500
5	SIDE PANELS (2 pics)	932.516	932.516

ENCLOSURE DEPTH 600mm (D)		ENCLOSURE WIDTH mm (W)	
STEP	PRODUCT DESCRIPTION	SINGLE DOOR 600	SINGLE DOOR 800
1	ASSEMBLED ENCLOSURE H2:100mm	136.166.N	138.166.N
1/1	FLAT PACKAGE MAIN BODY (SOLID DOOR)	146.160	148.160
1/1	FLAT PACKAGE MAIN BODY (GLAZED DOOR)	156.160	158.160
1/2	FLAT PACKAGE TOP-BOTTOM H2:100mm	961.066	961.086
1/2	FLAT PACKAGE TOP-BOTTOM H2:200mm	962.066	962.086
2	MOUNTING PLATE	942.616	942.816
3	INTERMEDIATE MOUNTING PLATE	997.516	997.516
4	MOUNTING PLATE MOVE RAILS	964.600	964.600
5	SIDE PANELS (2 pics)	932.616	932.616

DT FLOOR STANDING MODULAR ENCLOSURE

SIZES and MODELS

HEIGHT (H): 1800 + 100 mm

ENCLOSURE DEPTH 400mm (D)		ENCLOSURE WIDTH mm (W)			
STEP	PRODUCT DESCRIPTION	SINGLE DOOR 600	SINGLE DOOR 800	DOUBLE DOOR 1000	DOUBLE DOOR 1200
1	ASSEMBLED ENCLOSURE H2:100mm	136.184.N	138.184.N	130.184.N	132.184.N
1/1	FLAT PACKAGE MAIN BODY (SOLID DOOR)	146.180	148.180	140.180	142.180
1/1	FLAT PACKAGE MAIN BODY (GLAZED DOOR)	156.180	158.180	----	----
1/2	FLAT PACKAGE TOP-BOTTOM H2:100mm	961.064	961.084	961.104	961.124
1/2	FLAT PACKAGE TOP-BOTTOM H2:200mm	962.064	962.084	962.104	962.124
2	MOUNTING PLATE	942.618	942.818	942.018	942.218
3	INTERMEDIATE MOUNTING PLATE	997.518	997.518	997.518	997.518
4	MOUNTING PLATE MOVE RAILS	964.400	964.400	964.400	964.400
5	SIDE PANELS (2 pics)	932.418	932.418	932.418	932.418

ENCLOSURE DEPTH 500mm (D)		ENCLOSURE WIDTH mm (W)			
STEP	PRODUCT DESCRIPTION	SINGLE DOOR 600	SINGLE DOOR 800	DOUBLE DOOR 1000	DOUBLE DOOR 1200
1	ASSEMBLED ENCLOSURE H2:100mm	136.185.N	138.185.N	130.185.N	132.185.N
1/1	FLAT PACKAGE MAIN BODY (SOLID DOOR)	146.180	148.180	140.180	142.180
1/1	FLAT PACKAGE MAIN BODY (GLAZED DOOR)	156.180	158.180	----	----
1/2	FLAT PACKAGE TOP-BOTTOM H2:100mm	961.065	961.085	961.105	961.125
1/2	FLAT PACKAGE TOP-BOTTOM H2:200mm	962.065	962.085	962.105	962.125
2	MOUNTING PLATE	942.618	942.818	942.018	942.218
3	INTERMEDIATE MOUNTING PLATE	997.518	997.518	997.518	997.518
4	MOUNTING PLATE MOVE RAILS	964.500	964.500	964.500	964.500
5	SIDE PANELS (2 pics)	932.518	932.518	932.518	932.518

ENCLOSURE DEPTH 600mm (D)		ENCLOSURE WIDTH mm (W)			
STEP	PRODUCT DESCRIPTION	SINGLE DOOR 600	SINGLE DOOR 800	DOUBLE DOOR 1000	DOUBLE DOOR 1200
1	ASSEMBLED ENCLOSURE H2:100mm	136.186.N	138.186.N	130.186.N	132.186.N
1/1	FLAT PACKAGE MAIN BODY (SOLID DOOR)	146.180	148.180	140.180	142.180
1/1	FLAT PACKAGE MAIN BODY (GLAZED DOOR)	156.180	158.180	----	----
1/2	FLAT PACKAGE TOP-BOTTOM H2:100mm	961.066	961.086	961.106	961.126
1/2	FLAT PACKAGE TOP-BOTTOM H2:200mm	962.066	962.086	962.106	962.126
2	MOUNTING PLATE	942.618	942.818	942.018	942.218
3	INTERMEDIATE MOUNTING PLATE	997.518	997.518	997.518	997.518
4	MOUNTING PLATE MOVE RAILS	964.600	964.600	964.600	964.600
5	SIDE PANELS (2 pics)	932.618	932.618	932.618	932.618

ENCLOSURE DEPTH 800mm (D)		ENCLOSURE WIDTH mm (W)			
STEP	PRODUCT DESCRIPTION	SINGLE DOOR 600	SINGLE DOOR 800	DOUBLE DOOR 1000	DOUBLE DOOR 1200
1	ASSEMBLED ENCLOSURE H2:100mm	136.188.N	138.188.N	130.188.N	132.188.N
1/1	FLAT PACKAGE MAIN BODY (SOLID DOOR)	146.180	148.180	140.180	142.180
1/1	FLAT PACKAGE MAIN BODY (GLAZED DOOR)	156.180	158.180	----	----
1/2	FLAT PACKAGE TOP-BOTTOM H2:100mm	961.068	961.088	961.108	961.128
1/2	FLAT PACKAGE TOP-BOTTOM H2:200mm	962.068	962.088	962.108	962.128
2	MOUNTING PLATE	942.618	942.818	942.018	942.218
3	INTERMEDIATE MOUNTING PLATE	997.518	997.518	997.518	997.518
4	MOUNTING PLATE MOVE RAILS	964.800	964.800	964.800	964.800
5	SIDE PANELS (2 pics)	932.818	932.818	932.818	932.818

DT FLOOR STANDING MODULAR ENCLOSURE

SIZES and MODELS

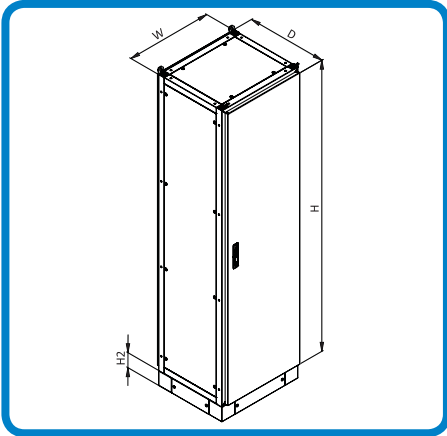
HEIGHT (H): 2000 + 100 mm

ENCLOSURE DEPTH 400mm (D)		ENCLOSURE WIDTH mm (W)				
STEP	PRODUCT DESCRIPTION	SINGLE DOOR 500	SINGLE DOOR 600	SINGLE DOOR 800	DOUBLE DOOR 1000	DOUBLE DOOR 1200
1	ASSEMBLED ENCLOSURE H2:100mm	135.204.N	136.204.N	138.204.N	130.204.N	132.204.N
1/1	FLAT PACKAGE MAIN BODY (SOLID DOOR)	145.200	146.200	148.200	140.200	142.200
1/1	FLAT PACKAGE MAIN BODY (GLAZED DOOR)	155.200	156.200	158.200	----	----
1/2	FLAT PACKAGE TOP-BOTTOM H2:100mm	961.054	961.064	961.084	961.104	961.124
1/2	FLAT PACKAGE TOP-BOTTOM H2:200mm	962.054	962.064	962.084	962.104	962.124
2	MOUNTING PLATE	942.520	942.620	942.820	942.020	942.220
3	INTERMEDIATE MOUNTING PLATE	997.520	997.520	997.520	997.520	997.520
4	MOUNTING PLATE MOVE RAILS	964.400	964.400	964.400	964.400	964.400
5	SIDE PANELS (2 pics)	932.420	932.420	932.420	932.420	932.420

ENCLOSURE DEPTH 500mm (D)		ENCLOSURE WIDTH mm (W)				
STEP	PRODUCT DESCRIPTION	SINGLE DOOR 500	SINGLE DOOR 600	SINGLE DOOR 800	DOUBLE DOOR 1000	DOUBLE DOOR 1200
1	ASSEMBLED ENCLOSURE H2:100mm	135.205.N	136.205.N	138.205.N	130.205.N	132.205.N
1/1	FLAT PACKAGE MAIN BODY (SOLID DOOR)	145.200	146.200	148.200	140.200	142.200
1/1	FLAT PACKAGE MAIN BODY (GLAZED DOOR)	155.200	156.200	158.200	----	----
1/2	FLAT PACKAGE TOP-BOTTOM H2:100mm	961.055	961.065	961.085	961.105	961.125
1/2	FLAT PACKAGE TOP-BOTTOM H2:200mm	962.055	962.065	962.085	962.105	962.125
2	MOUNTING PLATE	942.520	942.620	942.820	942.020	942.220
3	INTERMEDIATE MOUNTING PLATE	997.520	997.520	997.520	997.520	997.520
4	MOUNTING PLATE MOVE RAILS	964.500	964.500	964.500	964.500	964.500
5	SIDE PANELS (2 pics)	932.520	932.520	932.520	932.520	932.520

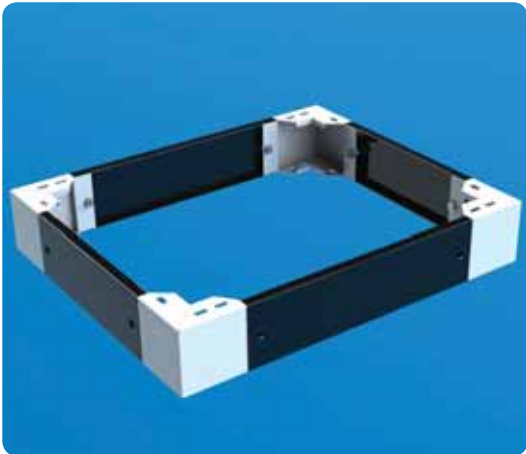
ENCLOSURE DEPTH 600mm (D)		ENCLOSURE WIDTH mm (W)				
STEP	PRODUCT DESCRIPTION	SINGLE DOOR 500	SINGLE DOOR 600	SINGLE DOOR 800	DOUBLE DOOR 1000	DOUBLE DOOR 1200
1	ASSEMBLED ENCLOSURE H2:100mm	135.206.N	136.206.N	138.206.N	130.206.N	132.206.N
1/1	FLAT PACKAGE MAIN BODY (SOLID DOOR)	145.200	146.200	148.200	140.200	142.200
1/1	FLAT PACKAGE MAIN BODY (GLAZED DOOR)	155.200	156.200	158.200	----	----
1/2	FLAT PACKAGE TOP-BOTTOM H2:100mm	961.056	961.066	961.086	961.106	961.126
1/2	FLAT PACKAGE TOP-BOTTOM H2:200mm	962.056	962.066	962.086	962.106	962.126
2	MOUNTING PLATE	942.520	942.620	942.820	942.020	942.220
3	INTERMEDIATE MOUNTING PLATE	997.520	997.520	997.520	997.520	997.520
4	MOUNTING PLATE MOVE RAILS	964.600	964.600	964.600	964.600	964.600
5	SIDE PANELS (2 pics)	932.620	932.620	932.620	932.620	932.620

ENCLOSURE DEPTH 800mm (D)		ENCLOSURE WIDTH mm (W)				
STEP	PRODUCT DESCRIPTION	SINGLE DOOR 500	SINGLE DOOR 600	SINGLE DOOR 800	DOUBLE DOOR 1000	DOUBLE DOOR 1200
1	ASSEMBLED ENCLOSURE H2:100mm	135.208.N	136.208.N	138.208.N	130.208.N	132.208.N
1/1	FLAT PACKAGE MAIN BODY (SOLID DOOR)	145.200	146.200	148.200	140.200	142.200
1/1	FLAT PACKAGE MAIN BODY (GLAZED DOOR)	155.200	156.200	158.200	----	----
1/2	FLAT PACKAGE TOP-BOTTOM H2:100mm	961.058	961.068	961.088	961.108	961.128
1/2	FLAT PACKAGE TOP-BOTTOM H2:200mm	962.058	962.068	962.088	962.108	962.128
2	MOUNTING PLATE	942.520	942.620	942.820	942.020	942.220
3	INTERMEDIATE MOUNTING PLATE	997.520	997.520	997.520	997.520	997.520
4	MOUNTING PLATE MOVE RAILS	964.800	964.800	964.800	964.800	964.800
5	SIDE PANELS (2 pics)	932.820	932.820	932.820	932.820	932.820



HEIGHT (H): 2200 + 100 mm

ENCLOSURE DEPTH 600mm (D)		ENCLOSURE WIDTH mm (W)		
STEP	PRODUCT DESCRIPTION	SINGLE DOOR 600	SINGLE DOOR 800	DOUBLE DOOR 1200
1	ASSEMBLED ENCLOSURE H2:100mm	136.226.N	138.226.N	132.226.N
1/1	FLAT PACKAGE MAIN BODY	146.220	148.220	142.220
1/2	FLAT PACKAGE TOP-BOTTOM H2:100mm	961.066	961.086	961.086
1/2	FLAT PACKAGE TOP-BOTTOM H2:200mm	962.066	962.086	962.086
2	MOUNTING PLATE	942.622	942.822	942.222
3	INTERMEDIATE MOUNTING PLATE	997.522	997.522	997.522
4	MOUNTING PLATE MOVE RAILS	964.600	964.600	964.600
5	SIDE PANELS (2 pics)	932.622	932.622	932.622

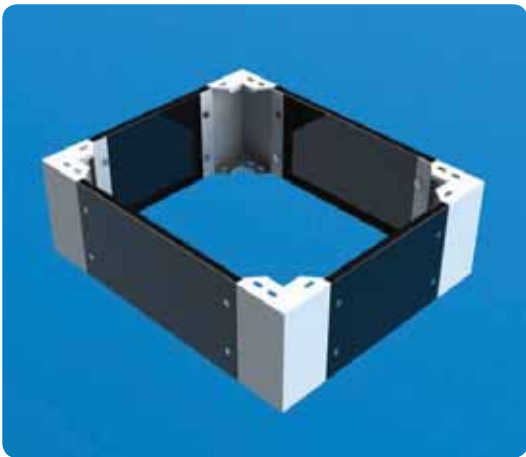


H100 PLINTH

Material : Corner supporters: 2,00 mm galvanized steel + RAL 7035 coating.
Panels: 1,50 mm galvanized steel + RAL 9005 coating.

Supply includes : 4 pcs corner supporter, 2 pcs front plinth panel, 2 pcs side plinth panel and screws.

DT ENCLOSURE mm			DT ENCLOSURE mm			DT ENCLOSURE mm		
WIDTH(W)	DEPTH(D)	REFERANCE NO	WIDTH(W)	DEPTH(D)	REFERANCE NO	WIDTH(W)	DEPTH(D)	REFERANCE NO
500	400	911.154	800	400	911.184	1200	400	911.124
500	500	911.155	800	500	911.185	1200	500	911.125
500	600	911.156	800	600	911.186	1200	600	911.126
500	800	911.158	800	800	911.188	1200	800	911.128
600	400	911.164	1000	400	911.104			
600	500	911.165	1000	500	911.105			
600	600	911.166	1000	600	911.106			
600	800	911.168	1000	800	911.108			

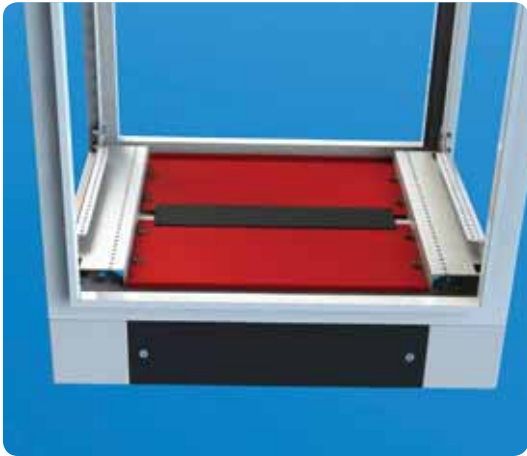


H200 PLINTH

Material : Corner supporters: 2,00 mm galvanized steel + RAL 7035 coating.
Panels: 1,50 mm galvanized steel + RAL 9005 coating.

Supply includes : 4 pcs corner supporter, 2 pcs front plint panel, 2 pcs side plinth panel and screws.

DT ENCLOSURE mm			DT ENCLOSURE mm			DT ENCLOSURE mm		
WIDTH(W)	DEPTH(D)	REFERANCE NO	WIDTH(W)	DEPTH(D)	REFERANCE NO	WIDTH(W)	DEPTH(D)	REFERANCE NO
500	400	911.254	800	400	911.284	1200	400	911.224
500	500	911.255	800	500	911.285	1200	500	911.225
500	600	911.256	800	600	911.286	1200	600	911.226
500	800	911.258	800	800	911.288	1200	800	911.228
600	400	911.264	1000	400	911.204			
600	500	911.265	1000	500	911.205			
600	600	911.266	1000	600	911.206			
600	800	911.268	1000	800	911.208			

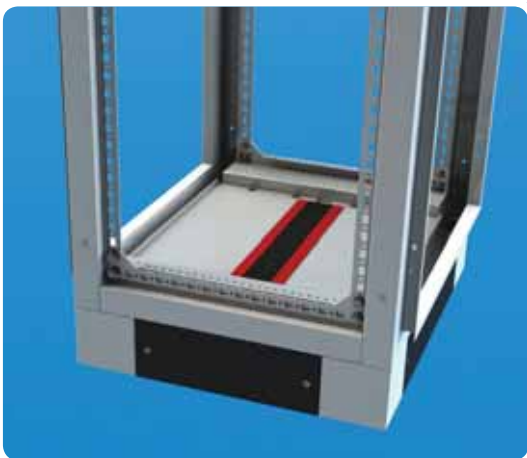


DT GLAND PLATE

Material : 1,50 mm galvanized steel, polyurathane foam

Supply includes : Gland plate (1 set), centre isolation foam and combination parts.

DT ENCLOSURE mm			DT ENCLOSURE mm			DT ENCLOSURE mm		
WIDTH(W)	DEPTH(D)	REFERENCE NO	WIDTH(W)	DEPTH(D)	REFERENCE NO	WIDTH(W)	DEPTH(D)	REFERENCE NO
500	400	921.054	800	400	921.084	1200	400	921.124
500	500	921.055	800	500	921.085	1200	500	921.125
500	600	921.056	800	600	921.086	1200	600	921.126
500	800	921.058	800	800	921.088	1200	800	921.128
600	400	921.064	1000	400	921.104			
600	500	921.065	1000	500	921.105			
600	600	921.066	1000	600	921.106			
600	800	921.068	1000	800	921.108			

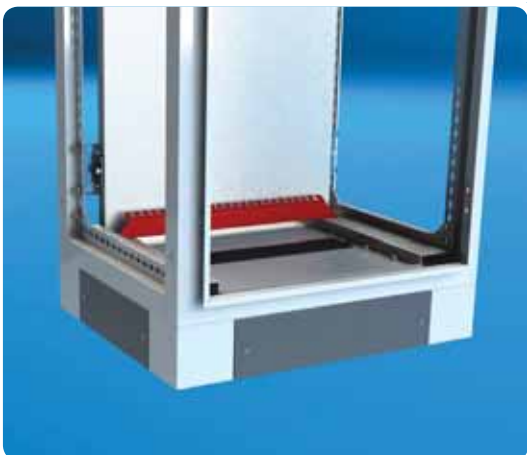


BRUSHED CABLE ENTRY

Material : ABS plastic

Supply includes: Slip brush, combination profile and parts.

DT ENCLOSURE WIDTH(W)	REFERENCE NO
500	922.051
600	922.061
800	922.081
1000	922.101
1200	922.201



CABLE CLAMP RAIL

Material : 2,00 mm Mild steel + zinc-plating

Supply includes : 1 pc rail and screws.

DT ENCLOSURE WIDTH(W)	REFERENCE NO
600	997.105
800	997.106
1000	997.107
1200	997.108



DEPTH RAIL

Material : 2,00 mm galvanized steel

Supply includes: 2 pcs rail and screws

DT ENCLOSURE WIDTH(W)	REFERENCE NO
400	2 01 07.0001
500	2 01 07.0002
600	2 01 07.0003
800	2 01 07.0004



PARTIAL MOUNTING PLATE

Material : 2,00 mm galvanized steel

Supply includes : 1 pc plate and screws

DT ENCLOSURE WIDTH(W)	PLATE HEIGHT	PLATE WIDTH	REFERENCE NO	DT ENCLOSURE WIDTH(W)	PLATE HEIGHT	PLATE WIDTH	REFERENCE NO
500	75	432	2 01 07.0005	800	75	742	2 01 07.0017
500	170	432	2 01 07.0006	800	170	742	2 01 07.0018
500	200	432	2 01 07.0007	800	200	742	2 01 07.0019
500	300	432	2 01 07.0008	800	300	742	2 01 07.0020
500	400	432	2 01 07.0009	800	400	742	2 01 07.0021
500	500	432	2 01 07.0010	800	500	742	2 01 07.0022
600	75	532	2 01 07.0011	1000	75	932	2 01 07.0088
600	170	532	2 01 07.0012	1000	170	932	2 01 07.0089
600	200	532	2 01 07.0013	1000	200	932	2 01 07.0090
600	300	532	2 01 07.0014	1000	300	932	2 01 07.0091
600	400	532	2 01 07.0015				
600	500	532	2 01 07.0016				



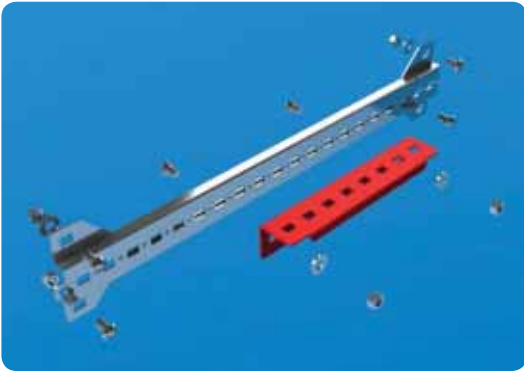
VERTICAL RAIL

Material : 2,00 mm galvanized steel

Supply includes: 1 pc rail and screws

DT ENCLOSURE WIDTH(W)	PLATE HEIGHT	PLATE WIDTH	REFERENCE NO
---	265	75	2 01 07.0023
---	365	75	2 01 07.0024
---	565	75	2 01 07.0025
---	765	75	2 01 07.0026
1200	965	75	2 01 07.0027
1600	1165	75	2 01 07.0028
1800	1365	75	2 01 07.0029
2000	1565	75	2 01 07.0030

INTERIOR MOUNTING ACCESSORIES



BUSBAR SUPPORT KIT

Material : 2,00 mm galvanized steel

Supply includes : 1 pc move rail, 1 busbar rail and assembling screws.

DT ENCLOSURE DEPTH(D)	KIT DEPTH	REFERENCE NO
500	200	2 01 07.0031
600	200	2 01 07.0032
800	200	2 01 07.0082
500	300	2 01 07.0083
600	300	2 01 07.0084
800	300	2 01 07.0085



HEAVY EQUIPMENT KIT

Material:
 Depth rail : 2,00 mm galvanized steel
 Support rails : 2,50 mm galvanized steel

Supply includes:
 2 pcs depth rail, 2 pcs depth supporter, 2 pcs width supporter and combination parts.

DT ENCLOSURE WIDTH(W)	DT ENCLOSURE DEPTH(D)	REFERANS NO
500	500	2 01 07.0073
500	600	2 01 07.0074
500	800	2 01 07.0075
600	500	2 01 07.0076
600	600	2 01 07.0077
600	800	2 01 07.0078
800	500	2 01 07.0079
800	600	2 01 07.0080
800	800	2 01 07.0081



DIVIDING KIT

Material : 1,50 mm Mild steel + RAL 7035 coating

Supply includes : Full set kit

Note : Please see page 124 for cover plates.

DT ENCLOSURE WIDTH(W)	DT ENCLOSURE HEIGHT (H)	DIVIDING SIZE	REFERENCE NO
DIVIDER PARTS			
800	2000	200+600	2 01 07.0064
1000	2000	200+800	2 01 07.0065
200mm DIVIDER DOOR			
800	2000	---	2 01 07.0066
1000	2000	---	2 01 07.0067



DIVIDER DOOR

Material : 1,50 mm Mild steel+ RAL 7035 coating

Supply includes: 1 pcs hinged door



COVER PLATE FRAME

Material : 1,50 mm Mild steel+ RAL 7035 coating.

Supply includes : 1 set of frame and enclosure assembling parts

! Attention : Selection the size of cover plates must be calculated with the size of frame internal usage

DT ENCLOSURE WIDTH(W)	DT ENCLOSURE HEIGHT(H)	FRAME INTERNAL USAGE(H-200)	REFERENCE NO
600	1200	1000	2 01 07.0034
800	1200	1000	2 01 07.0035
600	1600	1400	2 01 07.0037
800	1600	1400	2 01 07.0038
600	1800	1600	2 01 07.0040
800	1800	1600	2 01 07.0041
500	2000	1800	2 01 07.0042
600	2000	1800	2 01 07.0071
800	2000	1800	2 01 07.0072



PARTIAL COVER PLATE

Material : 1,20 mm Mild steel+ RAL 7035 coating.

Supply includes : 1 pcs cover plate and assembling parts

DT ENCLOSURE WIDTH(W)	COVER PLATE HEIGHT	COVER PLATE WIDTH	REFERENCE NO
500	100	340	2 01 07.0043
500	150	340	2 01 07.0044
500	200	340	2 01 07.0046
500	250	340	2 01 07.0047
500	300	340	2 01 07.0048
500	400	340	2 01 07.0049
600	100	440	2 01 07.0050
600	150	440	2 01 07.0051
600	200	440	2 01 07.0053
600	250	440	2 01 07.0054
600	300	440	2 01 07.0055
600	400	440	2 01 07.0056

DT ENCLOSURE WIDTH(W)	COVER PLATE HEIGHT	COVER PLATE WIDTH	MCB LOAD	REFERENCE NO
800	100	650	---	2 01 07.0057
800	150	650	---	2 01 07.0058
800	200	650	---	2 01 07.0060
800	250	650	---	2 01 07.0061
800	300	650	---	2 01 07.0062
800	400	650	---	2 01 07.0063
MCB HOLE CUTOUTED COVER PLATES				
500	150	340	16	2 01 07.0045
600	150	440	22	2 01 07.0052
800	150	650	34	2 01 07.0059

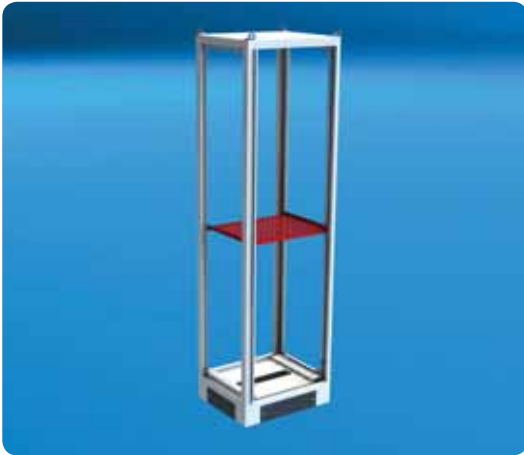


RAIL BRACKET

Material : 2,00 mm Mild steel+ zinc-plated

Supply includes : 1 pcs corner, screws

Reference No : 944.401



FIXED SHELF

Material : 1,50 mm Mild steel+ RAL 7035 coating.

Supply includes : 1 pcs shelf and assembling parts.

DT ENCLOSURE WIDTH(W)	DT ENCLOSURE DEPTH(D)	REFERENCE NO
600	600	945.266
600	800	945.268
800	600	945.286
800	800	945.288



MOVABLE SHELF

Material : 1,50 mm Mild steel+ RAL 7035 coating.

Supply includes : 1 pcs shelf and assembling parts.

DT ENCLOSURE WIDTH(W)	DT ENCLOSURE DEPTH(D)	REFERENCE NO
600	600	945.466
600	800	945.468
800	600	945.486
800	800	945.488

DOOR ACCESSORIES



SOLID DOOR

Material : 2,00 mm Mild steel+ RAL 7035 coating.

Supply includes: 1 pcs door, 3 pcs swing lock system, door stiffeners.

DT ENCLOSURE WIDTH(W)	DT ENCLOSURE HEIGHT(H)	REFERENCE NO
500	2000	931.152
600	1200	931.162
600	1600	931.166
600	1800	931.168
600	2000	931.160
600	2200	931.172
800	1200	931.182
800	1600	931.186
800	1800	931.188
800	2000	931.180
800	2200	931.192

DT ENCLOSURE WIDTH(W)	DT ENCLOSURE HEIGHT(H)	REFERENCE NO
1000	1800	931.108
1000	2000	931.100
1200	1800	931.128
1200	2000	931.120
1200	2200	931.122



GLAZED DOOR

Material : 2,00 mm Mild steel+ RAL 7035 coating,
4,00 mm transparent glass

Supply includes : 1 pcs door, glazed, lock set.

DT ENCLOSURE WIDTH(W)	DT ENCLOSURE DEPTH(D)	REFERENCE NO
500	2000	931.052
600	1600	931.066
600	1800	931.068
600	2000	931.060
800	1600	931.086
800	1800	931.088
800	2000	931.080

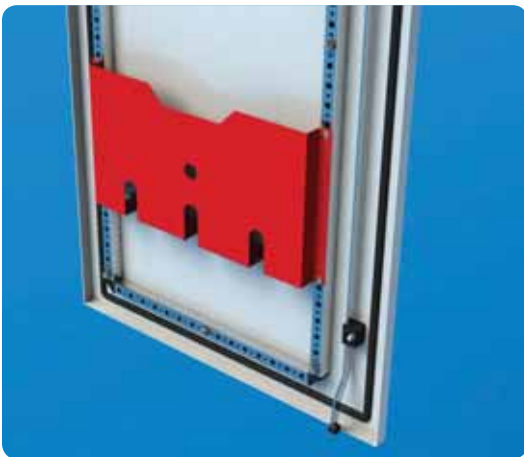


DOOR RAIL

Material : 2,00 mm galvanized steel

Supply includes : 1 pcs rail and screws

DT ENCLOSURE WIDTH(W)	REFERENCE NO
500	997.150
600	997.160
800	997.180
1000	997.110
1200	997.120

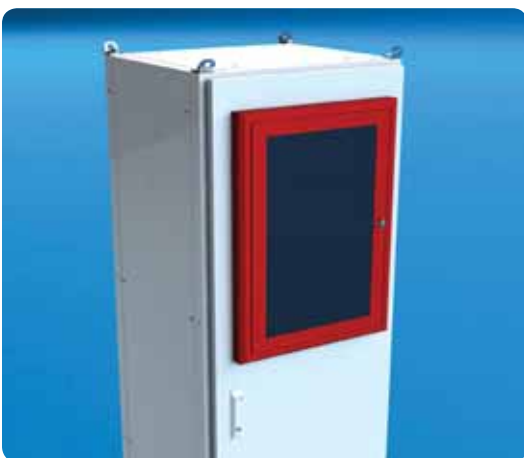


METAL PLAN POCKET

Material : 1,50 mm Mild steel+ RAL 7035 coating.

Supply includes : 1 pcs pocket and screws

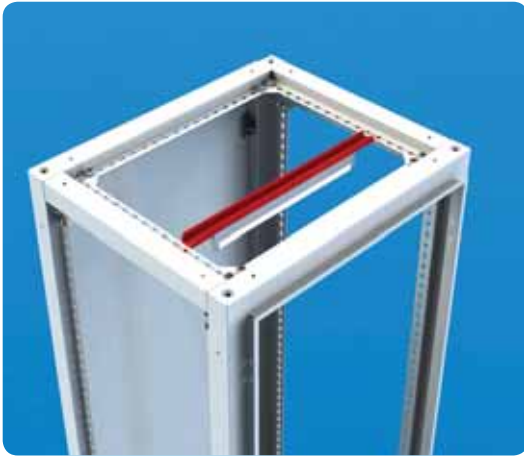
DT ENCLOSURE WIDTH(W)	REFERENCE NO
500	994.650
600	994.660
800	994.680
1000	994.610
1200	994.620



BUTTON PROTECTION GLASS

Material : 1,50 mm Mild steel+ RAL 7035 coating.
: 4,00 mm plexiglass

Reference No: Width 600 : **933.160**
Width 800 : **933.180**



LAMP RAIL

Material : 2,00 mm galvanized steel

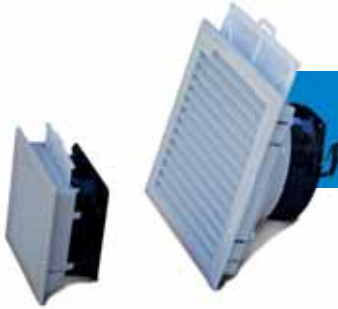
Supply includes : 1 pcs rail and screws

Reference No : 500 mm enclosure width : **903.150**
600 mm enclosure width : **903.160**
800 mm enclosure width : **903.180**
1000 mm enclosure width : **903.110**
1200 mm enclosure width : **903.120**

 **Note** : Please see page 204-205 for other lighting accessories.



**PLEASE SEE PAGE 186
FOR VENTILATION FILTERS.**



**PLEASE SEE PAGE 186
FOR FAN FILTERS.**



**PLEASE SEE PAGE 187
FOR CEILING VENTILATION FAN.**



**PLEASE SEE PAGE 188-190 FOR HEAT
EXCHANGERS AND AIR-CONDITIONERS.**



**PLEASE SEE PAGE 194-195
FOR HEATERS AND THERMOSTATS.**



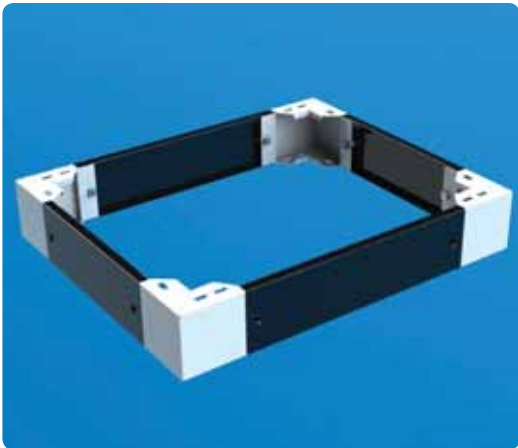
ADAPTER CORNER ENCLOSURE

Material : 1,50 mm Mild steel + RAL 7035 coating

Supply includes : 1 pc enclosure body, 1 pc top panel, 1 pc gland plate, adapter part and combination parts.

! Required : Adapter enclosure, 1 pc plinth and 1 pair of side panels tailored according to enclosure size.

DT ENCLOSURE WIDTH(W)	DT ENCLOSURE DEPTH(D)	REFERENCE NO
1800	500	145.185
2000	500	145.205
1800	600	145.186
2000	600	145.206
1800	800	145.188
2000	800	145.208



PLINTH FOR ADAPTER CORNER ENCLOSURE

Material : Corners: 2,00 mm galvanized + RAL 7035 coating
Covers: 1,50 galvanized steel + RAL 9005 coating

Supply includes : 4 pcs corner, 4 pcs plinth panels and combination screws.

DT ENCLOSURE DEPTH(D)	PLINTH/BASE HEIGHT(H2)	REFERENCE NO
500	100	915.150
500	200	915.250
600	100	915.160
600	200	915.260
800	100	915.180
800	200	915.280



PANELS FOR ADAPTER CORNER ENCLOSURE

Material : 1,20 mm Mild steel+ RAL 7035 coating

Supply includes : 2 pcs side panels.

! Note : Same products as the standard DT panels.

DT ENCLOSURE WIDTH(W)	DT ENCLOSURE DEPTH(D)	REFERENCE NO
1800	500	933.518
2000	500	933.520
1800	600	933.618
2000	600	933.620
1800	800	933.818
2000	800	933.820



KMT-1000 CONTROL DESK



KMT-2000 CONTROL DESK



KMP-3000 CONTROL DESK



PC CABINET



SUPPORT ARM SYSTEMS



CONTROL PANELS





- ▼ Hinged door on front-rear in KMT-2000 and KMT-3000.
- ▼ Standard damper support
- ▼ Single, fixed mounting plate for KMT-1000 series; double and sliding mounting plates for KMT-2000 and KMT-3000 series.
- ▼ Standard foamed gland plate
- ▼ Standard H100mm plinth



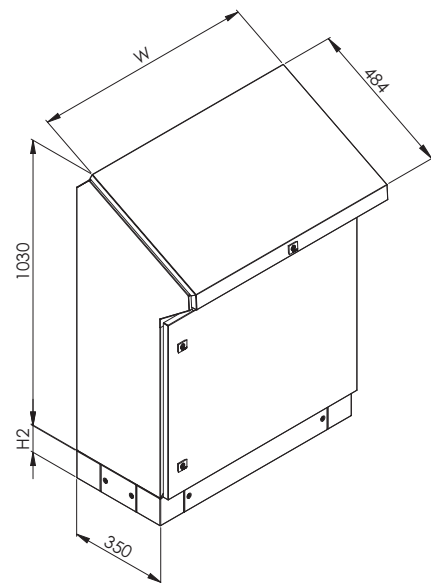
Material : Body, panels : 1,50 mm mild steel + RAL 7035 coating
 Support plinth corner : 2.00 mm Galvanized steel+RAL 7035 coating
 Mounting plate : 2.00 mm Galvanized steel

IP Protection : IP 55

Supply includes : 1 pcs compact body, 1 pcs door, 1 pcs top panel with damper, 1 pcs mounting plate,
 1 set of gland plate with foam, 1 pcs H100 plinth

▶ Please see page 150 for the stainless steel version.

▶ Please see page 226 for technical drawings.



ENCLOSURE WIDTH(W)	DOOR TYPE	REFERENCE NO
600	1	516.350
800	1	518.350
1000	2	510.350
1200	2	512.350



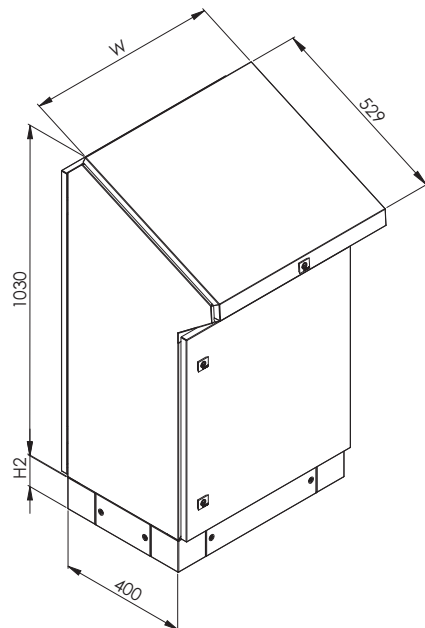
Material : Body, panels : 1,50 mm Mild steel + RAL7035 coating
 Support plinth corner : 2.00 mm Galvanized steel+RAL 7035 coating
 Mounting plate : 2.00 mm Galvanized steel

IP Protection : IP 55

Supply includes : 1 pcs compact body, 1 pcs door, 1 pcs top panel with damper, 1 pcs rear door, 2 pcs mounting plate, 1 pcs gland plate with foam, 1 set of H100mm plinth

- ▼ Standard top panel with damper
- ▼ Hinged, locked back door
- ▼ Two separate sliding mounting plates at the front and back.
- ▼ Please see page 150 for the stainless steel version.
- ▼ Please see page 227 for the technical drawings.

ENCLOSURE WIDTH(W)	DOOR TYPE	REFERENCE NO
600	1+1	526.400
800	1+1	528.400
1000	2+2	520.400
1200	2+2	522.400



KMP - 3000 CONTROL DESK



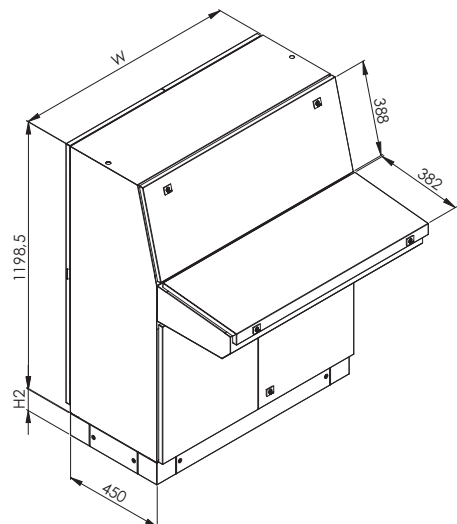
Material : Body, panels : 1,50 mm Mild steel + RAL7035 coating
 Support plinth corner : 2.00 mm Galvanized steel+RAL 7035 coating
 Mounting plate : 2.00 mm Galvanized steel

IP Protection : IP 55

Supply includes : 1 pcs main body, 1 pcs console body and damper panel, 1 pcs top panel, 1 pcs front panel, 1 pcs front door, 1 pcs back door, 2 pcs mounting plates, 1 set of gland plate with foam

- ▼ Standard damper on the console panel
- ▼ Hinged door application on four separate surfaces: back door, front door, console panel and top panel.
- ▼ Two separate sliding mounting plate at the front and back.
- ▼ Please see page 228 for technical drawings.

ENCLOSURE WIDTH(W)	DOOR TYPE	REFERENCE NO
800	1+1	538.450
1000	2+2	530.450
1200	2+2	532.450





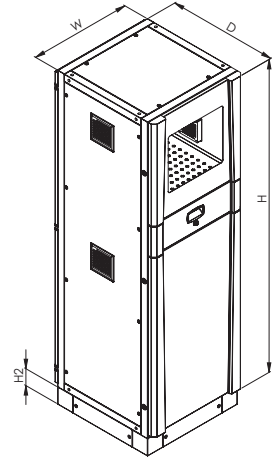
- ▼ Closed-system keyboard and mouse
- ▼ No dust-holding when keyboard and mouse used.



Material : Completely steel material : 1,50 mm DKP+RAL 7035 coating
 Front frame : RAL 9005 coating
 Glass : 4 mm tempered glass

IP Protection : IP 55

Supply includes : 1 pcs body, openable back door, 2 pcs partial front doors, sliding keyboard part, 2 pcs fixed shelf, H100mm plinth, gland plate with foam.



PC CABINET WIDTH(W)	PC CABINET HEIGHT(H+H2)	PC CABINET DEPTH(D)	REFERENCE NO
600	1800+100	600	406.186
600	1800+100	800	406.188



FIXED SHELF

Material : 1,50 mm DKP + RAL 7035 coating

Supply includes : 1 pcs fixed shelf and screws

PC CABINET WIDTH(W)	PC CABINET DEPTH(D)	REFERENCE NO
600	600	941.266
600	800	941.268

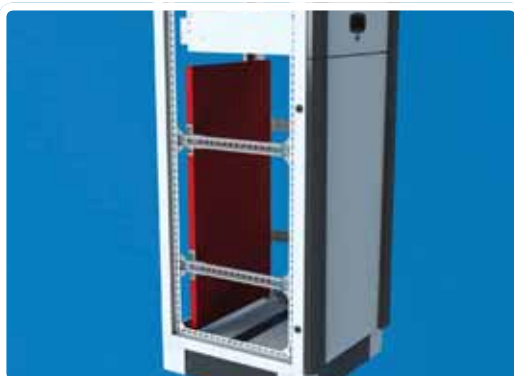


MOVABLE SHELF

Material : 1,50 mm mild steel + RAL 7035 coating

Supply includes : 1 pcs shelf rail

PC CABINET WIDTH(W)	PC CABINET DEPTH(D)	REFERENCE NO
600	600	941.306
600	800	941.308



MOUNTING PLATE

Material : 2 mm Galvanized steel

Supply includes : 1 pc mounting plate

Required : 1 set (4 pcs) mounting plate move rails are required to fix into cabinet. It must to choose for cabinet depth. See page 113.

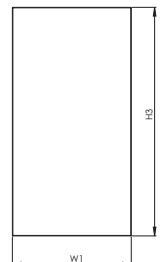


PLATE WIDTH(W1)	PLATE HEIGHT(H3)	REFERENCE NO
490	585	942.308
490	940	942.310

CONTROL CONSOLES

CONTROL PANELS and
SUPPORT ARM SYSTEMS





BASIC CONTROL PANEL

Material : 1,50 mm Mild steel + RAL 7035 coating

Supply includes : 1 body and back door, 2 pcs handle

▼ Please refer to our sales department for project applications.

EP PANEL WIDTH(W)	EP PANEL HEIGHT(H)	EP PANEL DEPTH(D)	REFERENCE NO.
300	300	200	433.320
400	300	200	434.320
400	400	200	434.420
500	600	250	435.625



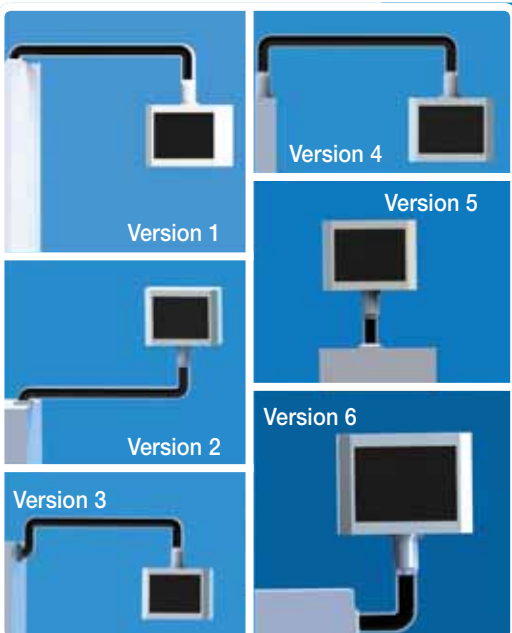
CONTROL PANEL with CONSOLE

Material : 1,50 mm Mild steel + RAL 7035 coating

Supply includes : 1 top body and back door, 1 pcs button extension and handle

▼ Please refer to our sales department for project applications.

EP PANEL WIDTH(W)	EP PANEL HEIGHT(H)	EP PANEL DEPTH(D)	REFERENCE NO.
350	530	300	433.530
400	580	300	434.583
450	630	350	434.635



SUPPORT ARM SYSTEM APPLICATIONS

Material : Rotation mechanisms : Aliminium
Support ARM : Aliminium extrusion

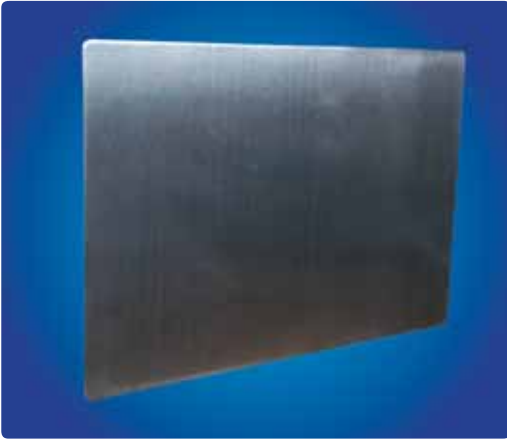
Color : RAL 7035 ve RAL 7016

▼ Please refer to our sales department for project applications.





STAINLESS STEEL MATERIAL QUALITY AND SURFACE PROCESS

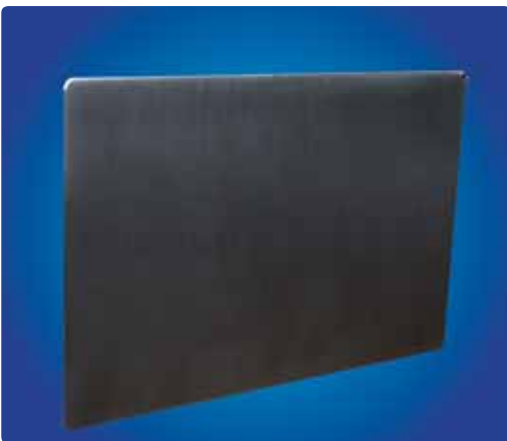


NATURAL SURFACE APPLICATION

- ▼ Standard application
- ▼ Standard AISI 304 (1.4031) stainless steel.
- ▼ Suitable surface process: 140 grain
- ▼ AISI 316 (1.4401) stainless steel can also be used.
- ▼ Coating can be applied on material.



EXTRA PROTECTION



VARNISH COATED SURFACE APPLICATION

- ▼ Optional
- ▼ Recommended in seaside, acidic and gas-dense environments.
- ▼ Applied on 304 or 316 stainless steel.
- ▼ Ovened process done when varnish is pulverized. It is also very scratch-resistant.
- ▼ Non-corrosive material
- ▼ Stain- and water-proof and does not need maintenance.



KT TERMINAL BOXES
PAGE 146



DM WALL-MOUNTED ENCLOSURES
PAGE 147



DT FLOOR STANDING ENCLOSURES
PAGE 148-149



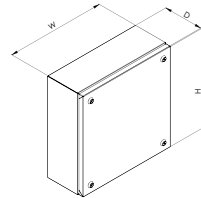
KMT CONTROL DESKS
PAGE 150



PC CABINET
PAGE 151

STAINLESS STEEL ENCLOSURES

KT STAINLESS STEEL TERMINAL BOXES



Material : All steel sheets: 1,50 mm quality 304 stainless steel

Surface process : Natural stainless-steel surface application

IP Protection : IP 66

Supply includes : 1 pcs main body, 1 pcs panel, 4 pcs wall bracket and combination parts.

▼ Please contact the customer service for quality 316 steel sheet application or varnish-coated process.

▼ Please see page 216 for technical drawings.

ENCLOSURE SIZES (mm)			
WIDTH(W)	HEIGHT(H)	DEPTH(D)	REFERENCE NO
200	200	120	312.212.K
300	200	120	313.212.K
300	300	120	313.312.K
400	200	120	314.212.K
400	300	120	314.312.K
400	400	120	314.412.K

MOUNTING PLATE APPLICATION



▼ Please see page 15 for the option table.

WALL BRACKET



▼ 304 stainless steel and included in the standard supply.

STAINLESS STEEL ENCLOSURES

DM STAINLESS STEEL WALL-MOUNTED ENCLOSURES



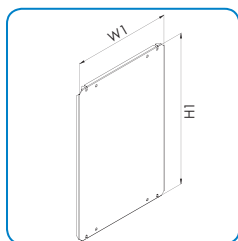
Material : Body: 1,50mm, 304 stainless steel sheet
 Door: 1,50mm-2,00mm stainless steel sheet
 Mounting plate: 2,00mm stainless steel

Surface process : Natural stainless steel surface application

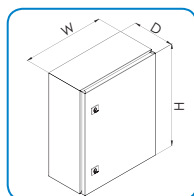
IP Protection : Single door: IP 65
 Double door: IP55

Supply includes : 1 pcs body, 1 pcs door, 1 pcs mounting plate,
 1 pcs knitted earthing cable.

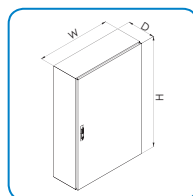
- ▶ Has the same characteristics as DM service. Please see page 16-17 for all qualities.
- ▶ Please contact the customer service for 316 steel sheet application or varnish-coated surface process.
- ▶ Please see page 217-220 for technical drawings
- ▶ Please contact the customer service for special size requests.



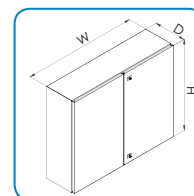
Mounting plate



Version 1



Version 2



Version 3

DM ENCLOSURE SIZES (mm)						Mounting Plate (mm)	
WIDTH(W)	HEIGHT(H)	DEPTH(D)	REFERANS NO	VERSION	LOCK QTY	W1	H1
300	400	150	213.415.K	1	1	250	340
300	400	200	213.420.K	1	1	250	340
400	500	200	214.520.K	1	2	350	440
400	600	200	214.620.K	1	2	350	540
400	600	280	214.630.K	1	2	350	540
500	700	200	215.720.K	1	2	450	640
500	700	280	215.730.K	1	2	450	640
600	800	200	216.820.K	1	2	550	740
600	800	280	216.830.K	1	2	550	740
600	1000	280	216.030.K	1	2	550	940
600	1150	280	216.230.K	2	---	550	1090
800	1000	280	218.030.K	1	2	750	940
800	1150	280	218.230.K	2	---	750	1090
1000	1000	280	210.030.K	3	---	950	940



Material : Body : 1,50 mm 304 stainless steel sheet.
Door: 2,00 mm 304 steel sheet.
Rear panel: 1,50 mm 304 steel sheet.
Top cover: 1,50 mm 304 steel sheet.
Plinth corners: 2,00 mm 304 steel sheet.
Plinth panels: 1,50 mm 304 steel sheet.

Attention : Mounting plate and other interior equipments chosen separately.

Surface process : Natural stainless surface process

IP Protection : IP 55

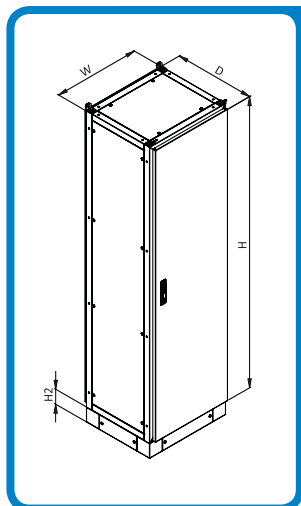
Supply includes : 1 set of panel body, 1 pcs door, 1 pcs rear panel,
1 pcs top cover, 1 set of gland plate, 1 set of
H100mm plinth, 1 set of enclosure combination kit,
4 pcs lifting hook.

- ▶ Please see page 222-225 for technical drawings.
- ▶ Please contact the customer service for 316 steel sheet application or varnish-coated surface process.
- ▶ Has the same qualities as DT service. Please see page 110-131 for all characteristics.

STAINLESS STEEL ENCLOSURES

DT FLOOR STANDING STAINLESS STEEL ENCLOSURES

ASSEMBLED DT STAINLESS STEEL ENCLOSURE



DT ENCLOSURE SIZES (mm)			REFERENCE NO.	DOOR	MOUNTING PLATE REF. NO
WIDTH(W)	HEIGHT(H)	DEPTH(D)			
600	1800	400	136.184.NK	SINGLE	942.618
600	1800	500	136.185.NK	SINGLE	942.618
600	1800	600	136.186.NK	SINGLE	942.618
600	1800	800	136.188.NK	SINGLE	942.618
600	2000	400	136.204.NK	SINGLE	942.620
600	2000	500	136.205.NK	SINGLE	942.620
600	2000	600	136.206.NK	SINGLE	942.620
600	2000	800	136.208.NK	SINGLE	942.620
800	1800	400	138.184.NK	SINGLE	942.818
800	1800	500	138.185.NK	SINGLE	942.818
800	1800	600	138.186.NK	SINGLE	942.818
800	1800	800	138.188.NK	SINGLE	942.818
800	2000	400	138.204.NK	SINGLE	942.820
800	2000	500	138.205.NK	SINGLE	942.820
800	2000	600	138.206.NK	SINGLE	942.820
800	2000	800	138.208.NK	SINGLE	942.820
1000	2000	400	130.204.NK	DOUBLE	942.020
1000	2000	500	130.205.NK	DOUBLE	942.020
1000	2000	600	130.206.NK	DOUBLE	942.020
1000	2000	800	130.208.NK	DOUBLE	942.020
1200	2000	400	132.204.NK	DOUBLE	942.220
1200	2000	500	132.205.NK	DOUBLE	942.220
1200	2000	600	132.206.NK	DOUBLE	942.220
1200	2000	800	132.208.NK	DOUBLE	942.220

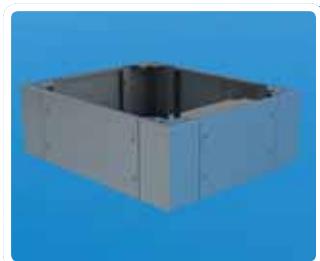


DT STAINLESS STEEL SIDE PANEL

Material : 1,50 mm 304 stainless steel

Supply includes : 2 pcs side panel (1 pair)

DT ENCLOSURE HEIGHT(H)	DT ENCLOSURE DEPTH(D)	REFERENCE NO
1800	400	932.418.K
1800	500	932.518.K
1800	600	932.618.K
1800	800	932.818.K
2000	400	932.420.K
2000	500	932.520.K
2000	600	932.620.K
2000	800	932.820.K



DT STAINLESS STEEL H200 mm PLINTH

Material : Plinth corners: 2,00 mm 304 stainless steel

Plinth panels: 1,50 mm 304 stainless steel

Supply includes : 4 pcs support corner, 2 pcs front plinth panel, 2 pcs side plinth panel

DT ENCLOSURE mm			DT ENCLOSURE mm		
WIDTH(W)	DEPTH(D)	REFERENCE NO	WIDTH(W)	DEPTH(D)	REFERENCE NO
600	400	911.264.K	1000	400	911.204.K
600	500	911.265.K	1000	500	911.205.K
600	600	911.266.K	1000	600	911.206.K
600	800	911.268.K	1000	800	911.208.K
800	400	911.284.K	1200	400	911.224.K
800	500	911.285.K	1200	500	911.225.K
800	600	911.286.K	1200	600	911.226.K
800	800	911.288.K	1200	800	911.228.K

STAINLESS STEEL ENCLOSURES

KMT-1000 AND KMT-2000 STAINLESS CONTROL DESKS



Material : Body, panels: 1,50 mm 304 stainless steel
 Plinth corner: 2,00 mm 304 stainless steel
 Bottom panel: 1,50 mm 304 stainless steel
 Mounting panel: 2,00 mm galvanized steel

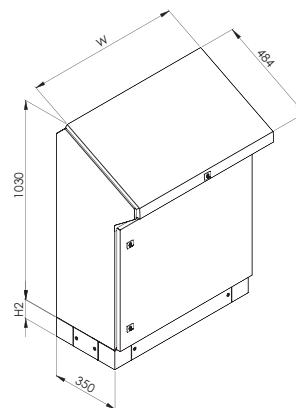
Surface process : Natural stainless surface application

IP Protection : IP 55

Supply includes : **For KMT-1000:** 1 pcs back-closed main body, 1 pcs top panel with damper, 1 pcs bottom door, gland plate with foam, 1 pcs mounting plate, 1 set of 100mm plinth
For KMT-2000: 1 pcs open-back main body, 1 pcs top panel with damper, 1 pcs bottom door, 1 pcs rear door, gland plate with foam, 2 pcs mounting plate.

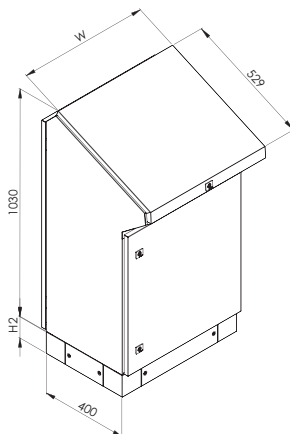
▶ Please contact the customer service for 316 steel sheet application or varnish-coated surface process.

▶ Please see page 226-227 for technical drawings.



KMT-1000 (Closed rear)

ENCLOSURE WIDTH(W)	DOOR TYPE	REFERENCE NO
600	1	516.350.K
800	1	518.350.K
1000	2	510.350.K
1200	2	512.350.K



KMT-2000 (Opened rear)

ENCLOSURE WIDTH(W)	DOOR TYPE	REFERENCE NO
600	1 + 1	526.400.K
800	1 + 1	528.400.K
1000	2 + 2	520.400.K
1200	2 + 2	522.400.K



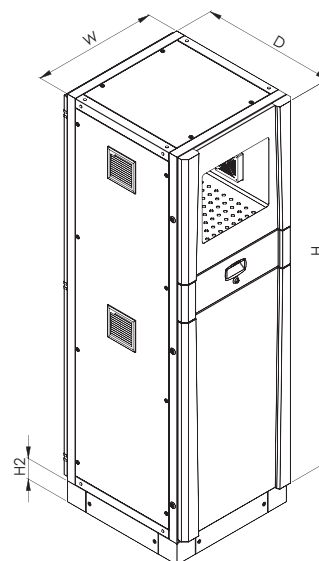
Material : Whole material: 1,50 mm 304 stainless steel sheet.

Surface process : Natural stainless surface application

IP Protection : IP 55

Supply includes : 1 pcs body, openable centre door, 2 pcs front door, sliding keyboard, 2 pcs fixed shelf, H100mm plinth, gland plate with foam.

- ▶ Please contact the customer service for 316 steel sheet application or varnish-coated surface process.
- ▶ Has the same qualities as the standard cabinet. Please see page 138-139
- ▶ Please see page for 229 technical drawings.



PC CABINET WIDTH (W)	600	600
PC CABINET HEIGHT (H)	1800	1800
PC CABINET DEPTH (D)	600	800
REFERENCE NO	406.186.K	406.188.K

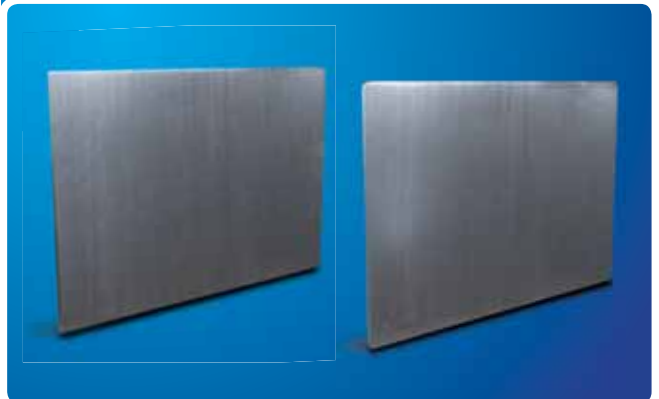
STAINLESS STEEL FIXED SHELF	941.266.K	941.268.K
STAINLESS STEEL MOVABLE SHELF	941.306.K	941.308.K
MOUNTING PLATE H3: 595mm	942.308	942.308
MOUNTING PLATE H3: 940mm	942.310	942.310



Double Surfaced Rain Canopy



Stainless Steel or Aluminium Application

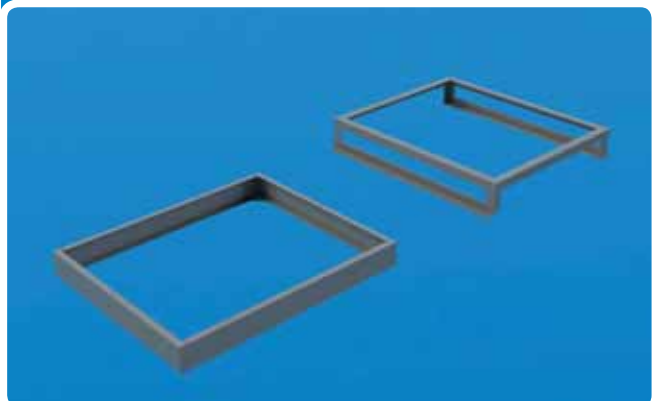


Air Filter with Rain Canopy (page 156)



- ▶ 304 or 306 stainless steel applications can be executed. Varnish-coating marks are recommended.
- ▶ Aluminium (Almg3) and above coating-applications can be done.

H100 mm or H200 mm Plinth of Profiled Plinth page 156



Mounting Plate



19" Rail Application



Air-Conditioner or Heat Exchanger Applications





Material : Body, back panel, bottom panel : 1,50 mm galvanized steel + 7035 polyester coating.
Roof : 1,50 mm galvanized steel + RAL 7012 coating
Front door : 1,50 mm – 2,00 mm galvanized steel + RAL 7035 polyester coating

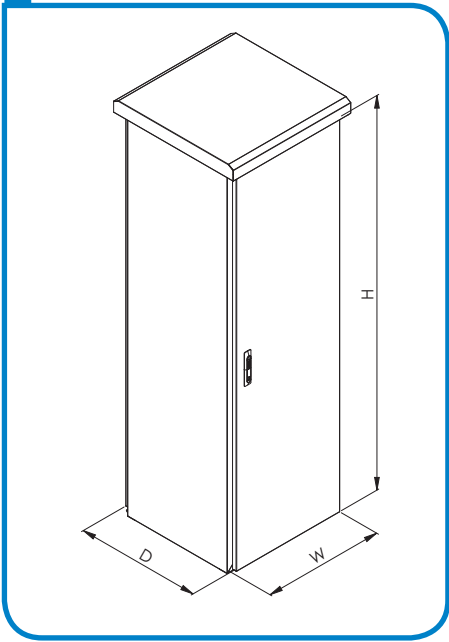
IP Protection : IP 55

Supply includes : 1 pcs main body, 1 pcs door, 1 pcs roof, 1 pcs gland plate with foam, mounting plate.

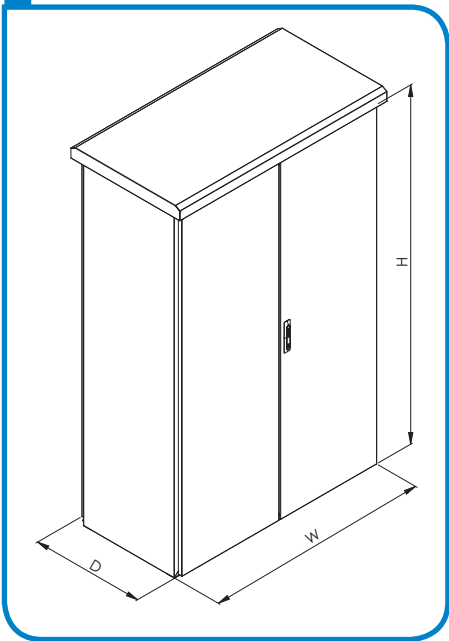
⚠ Required : Plinth and mounting plates in page 156-157

- ▼ Please see page 230 for technical drawings.
- ▼ Please see page 182-195 for air-conditioning accessories.
- ▼ Please see page 196-201 for fire extinguishing systems.

Version 1



Version 2



HC CABINET SIZES (mm)			REFERENCE NO	VERSION
WIDTH(W)	HEIGHT(H)	DEPTH(D)		
600	1100	400	816.114	1
600	1100	600	816.116	1
600	1100	800	816.118	1
600	1600	400	816.164	1
600	1600	600	816.166	1
600	1600	800	816.168	1
600	1900	600	816.196	1
600	1900	800	816.198	1
800	1100	400	818.114	1
800	1100	600	818.116	1
800	1100	800	818.118	1
800	1600	400	818.164	1
800	1600	600	818.166	1
800	1600	800	818.168	1
800	1900	600	818.196	1
800	1900	800	818.198	1
1200	1100	400	812.114	2
1200	1100	600	812.116	2
1200	1600	400	812.164	2
1200	1600	600	812.166	2
1200	1900	600	812.196	2



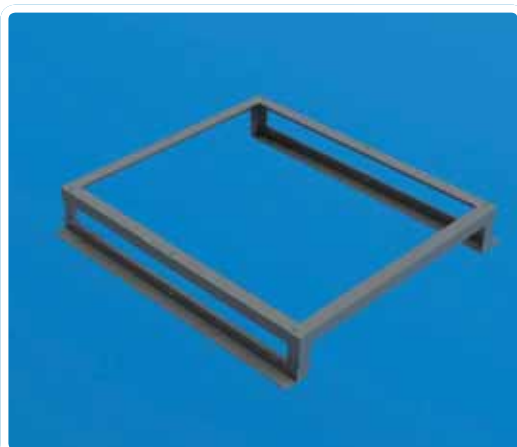
H100mm or H200mm PLINTH

Material : 2,00 mm galvanized steel + RAL 7012 coating

Supply includes : Welded set plinth

HC H100 mm PLINTH		
WIDTH (W)	DEPTH (D)	REFERENCE NO.
600	400	913.164
600	600	913.166
600	800	913.168
800	400	913.184
800	600	913.186
800	800	913.188
1200	400	913.124
1200	600	913.126

HC H200 mm PLINTH		
WIDTH (W)	DEPTH (D)	REFERENCE NO.
600	400	913.264
600	600	913.266
600	800	913.268
800	400	913.284
800	600	913.286
800	800	913.288
1200	400	913.224
1200	600	913.226



PROFILE FEET

Material : 2.00 mm galvanized steel + RAL 7012 coating

Supply includes : 1 set of feet

HC H300 mm PLINTH LEG		
WIDTH (W)	DEPTH (D)	REFERENCE NO.
600	400	914.364
600	600	914.366
600	800	914.368
800	400	914.384
800	600	914.386
800	800	914.388
1200	400	914.324
1200	600	914.326



AIR FILTER with RAIN CANOPY

Material : 1,50 mm galvanized steel+RAL 7035 polyester coating
Filter: ABS

IP Protection : IP 55

Supply includes : 1 pc rain canopy, 1 pcs 150x150mm or 250x250mm filter, 1 pc top drainage part and combination parts.

Reference No : 150x150 mm air filter: **983.121** (1 pc)
250x250 mm air filter: **983.122** (1 pc)



HC MOUNTING PLATE

Material : 2,00 mm galvanized steel

Supply includes : 1 pc mounting plate

! Required : It is required 1 set mounting plate move rail for fixing mounting plate. It must to select according to cabinet depth helping by DT selection sheet table, see page 113, 115-119

HC CABINET SIZES mm		
WIDTH (W)	HEIGHT (H)	REFERENCE NO.
600	1100	942.562
600	1600	942.566
600	1900	942.569
800	1100	942.582
800	1600	942.586
800	1900	942.589
1200	1100	942.522
1200	1600	942.526
1200	1900	942.529



HC 19" RAIL APPLICATION

Material : 2,00 mm mild steel+zinc-plating

Supply includes : 1 set (4 pcs) rail into 600-800 mm width cabinets, 2 set (8 pcs) rails into 1200 mm width cabinets.

! Required : In the order it must be given cabinet depth size.

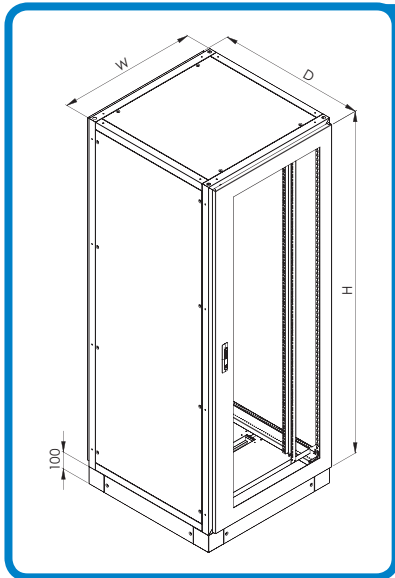
HC CABINET SIZES mm			
WIDTH (W)	HEIGHT (H)	UNIT (U)	REFERENCE NO.
600	1100	22	944.961
600	1600	33	944.966
600	1900	40	944.969
800	1100	22	944.981
800	1600	33	944.986
800	1900	40	944.989
1200	1100	22	944.921
1200	1600	33	944.926
1200	1900	40	944.929



Material : Coated parts: 1,20-1,50-2,00 mm mild steel + RAL 7035 coating.

IP Protection : IP 55

Supply includes : 1 set of body, 1 glazed door, 1 solid door, 1 set side panel, 1 set of gland plate, 1 pcs top panel, 4 pcs 19" profile set, 1 set of H100mm plinth.



RC 19" RACK CABINET

RC CABINET SIZES (mm)				
WIDTH (W)	UNIT	HEIGHT (H)	DEPTH(D)	REFERENCE NO
600	24U	1200	600	816.246
600	24U	1200	800	816.248
800	24U	1200	600	818.246
800	24U	1200	800	818.248
600	33U	1600	600	816.336
600	33U	1600	800	816.338
800	33U	1600	600	818.336
800	33U	1600	800	818.338
600	42U	2000	600	816.426
600	42U	2000	800	816.428
800	42U	2000	600	818.426
800	42U	2000	800	818.428



RC 19" FIXED SHELF

Material : 1,50 mild steel + RAL 7035 coating

Supply includes : 1 pcs fixed shelf and combination screws.

RC CABINET SIZES (mm)		
600 W 800 W	DEPTH(D)	REFERENCE NO
19"	600	891.006
19"	800	891.008



RC 19" MOVABLE SHELF

Material : 1,50 mild steel + RAL 7035 coating

Supply includes : 1 pcs shelf and ball rail set and combination screws.

RC CABINET SIZES (mm)		
600 W 800 W	DEPTH(D)	REFERENCE NO
19"	600	891.016
19"	800	891.018

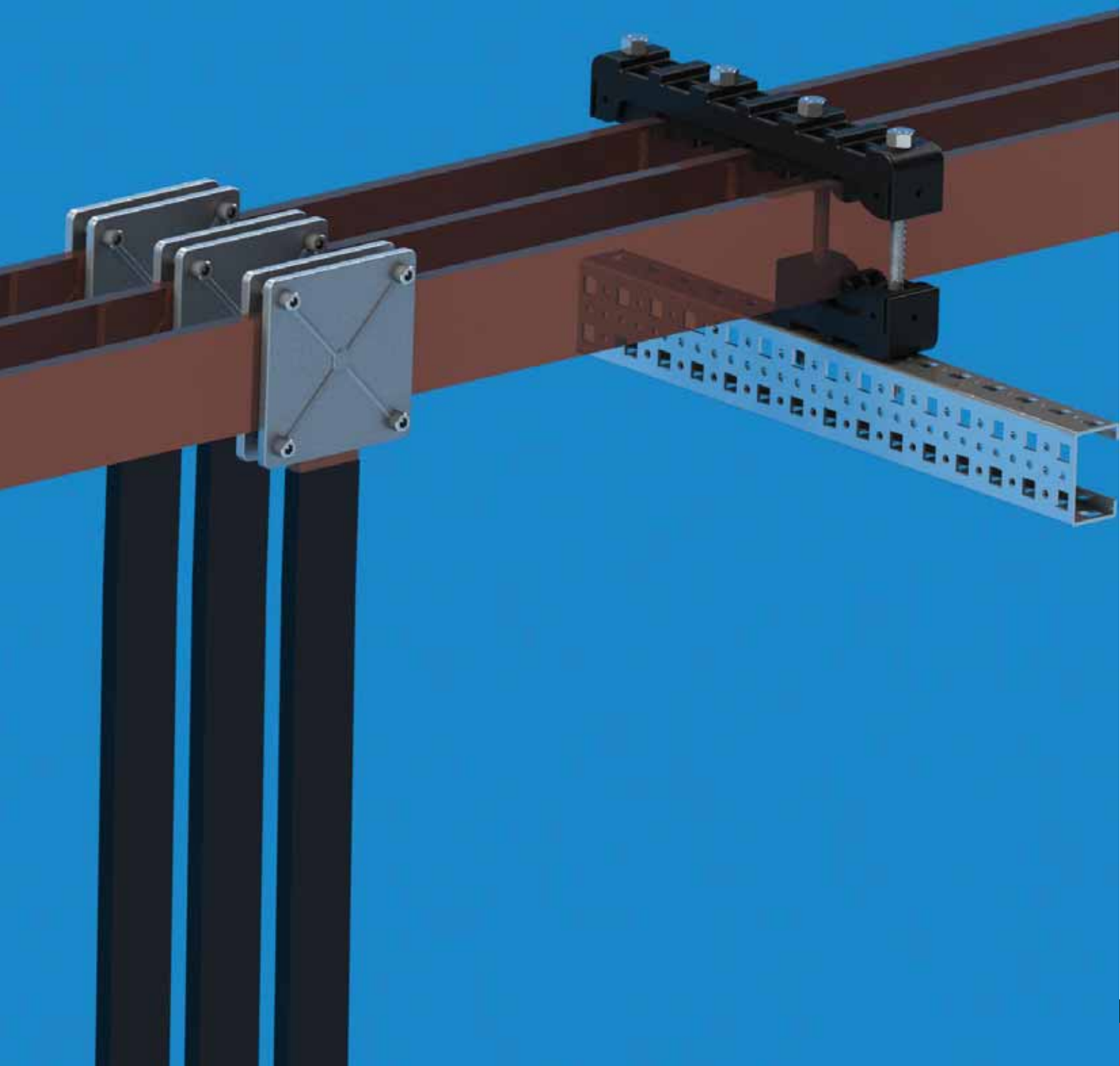


RC 19" BLANK PANEL

Material : 1,50 mild steel + RAL 7035 coating

Supply includes : 1 pcs panel

RC CABINET SIZES (mm)		
600 W 800 W	UNIT	REFERENCE NO
19"	1U	892.001
19"	2U	892.002
19"	3U	892.003
19"	4U	892.006







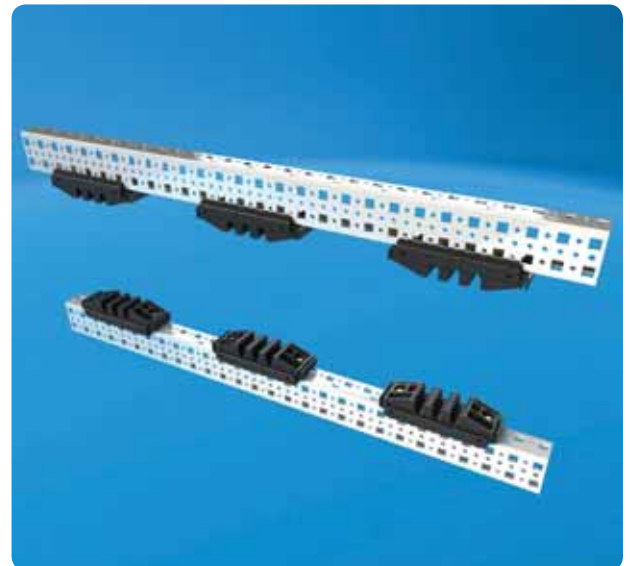
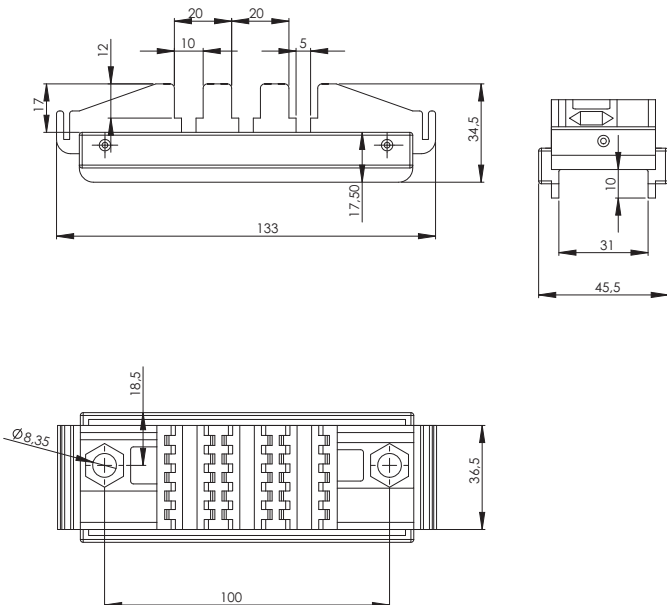
- ▼ Distance between the busbar supports can be adjusted with 25mm steps.
- ▼ Easy mounting.
- ▼ Cost-effective solution.
- ▼ Operating range between -40°C and +130°C.
- ▼ Halogen-free.
- ▼ Fire protection in line UL 94 VO standard.
- ▼ Applicable to 5-10mm busbar cross-sections.
- ▼ Applicable to 30-120mm busbar sizes.
- ▼ Used in applications between 400A-4500A.
- ▼ 3 pcs flat copper application.

Material : Fibre-reinforced polyamid.

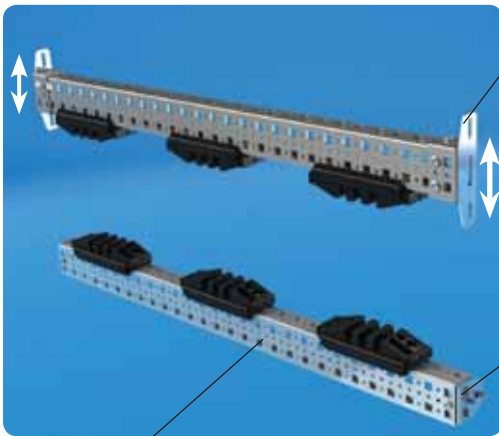
Supply includes : 2 pcs busbar support and combination screws.

References No : Plug in type : **600.001 (1 set: 2 pcs)**
Open type : **600.101 (1 set: 2 pcs)**

▼ Please see page 163 for application modes.



1 APPLICATION



○ Adjustable Rail Bracket, Type T, page 78

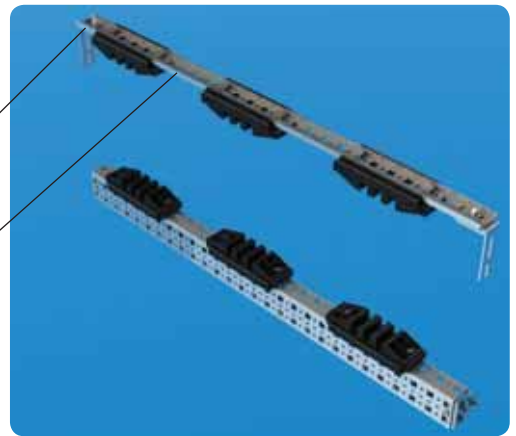
○ Auxiliary Rail Bracket, page 80

○ Auxiliary Rail page 76

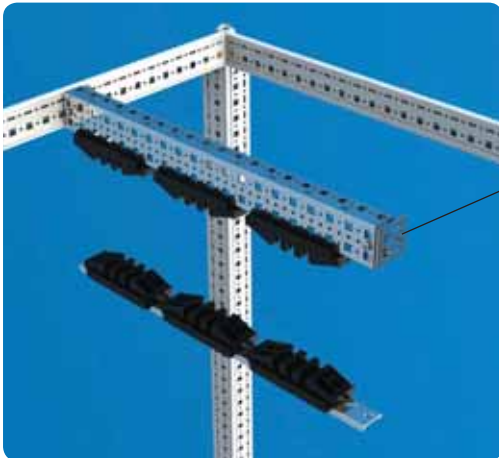
○ Plug-in Rail Bracket, page 77

○ 50x25 Scissile Rail page 75

2 APPLICATION



3 APPLICATION



○ Adjustable Rail Bracket, Type L, page 79

○ Adjustable Rail Bracket, Type L, page 79

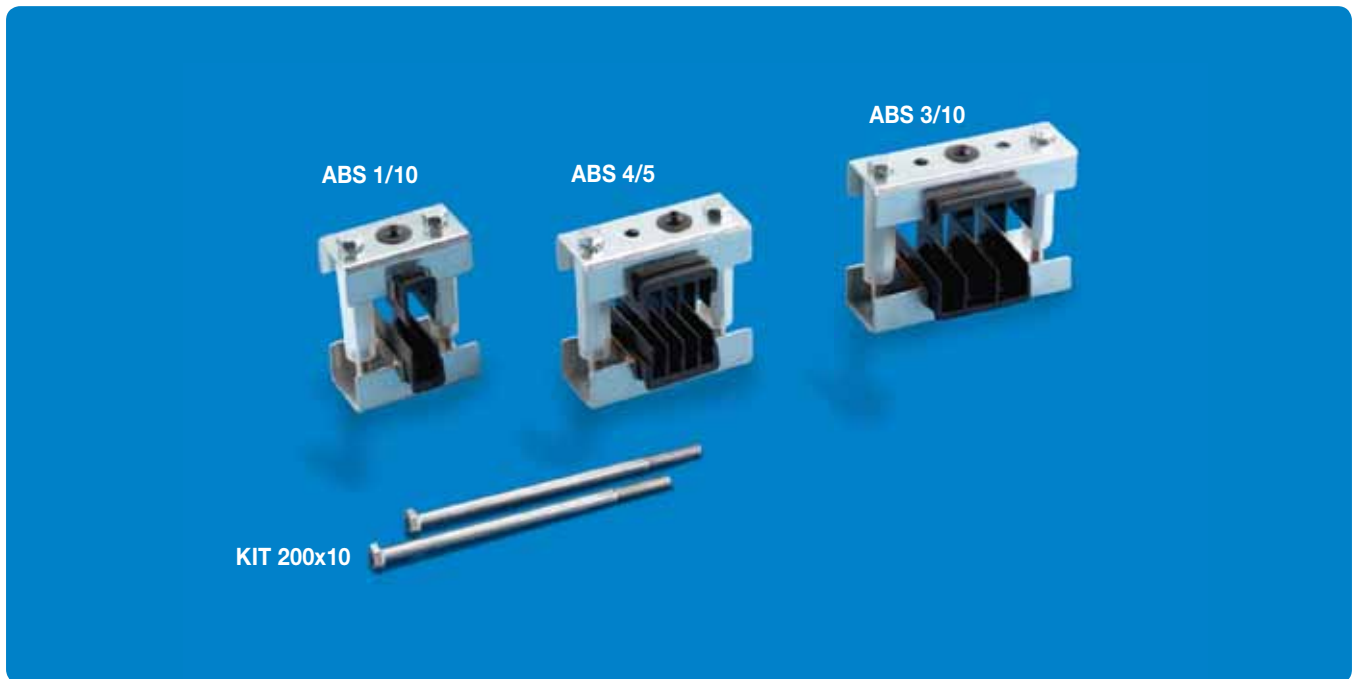
4 APPLICATION



BUSBAR SUPPORTS AND BUSBARS

ADJUSTABLE BUSBAR SUPPORT (METAL SUPPORTED)

ERICO

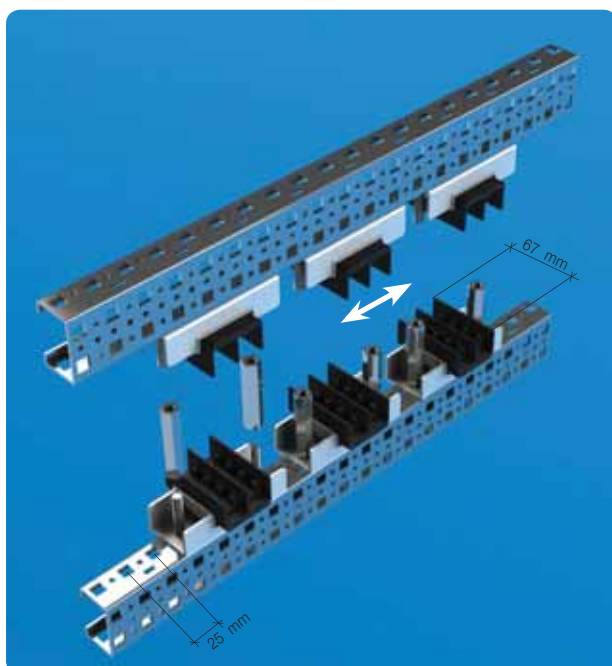


- ▼ Distance between the busbar supports can be adjusted with 25mm steps.
- ▼ Durable structure
- ▼ Operating range between -40°C and + 130°C
- ▼ Halogen-free
- ▼ Fire protection in line UL 94 VO standard.

- ▼ Applicable to 5-10mm busbar cross-sections
- ▼ Applicable to 50-200mm busbar sizes.
- ▼ 7400A °C damage can be applied.

Supply Includes : 1 set (2 pcs)

Material : Polyamide, glass fibre reinforced



PHASE	BUSBAR THICKNESS(mm)	REFERENCE NO
1	5	560.860
4	5	560.870
1	10	560.880
2	10	560.890
3	10	560.900
ASSEMBLING KIT		
160x10 KIT		560.910
200x10 KIT		560.920

BUSBAR SUPPORTS AND BUSBARS

ADJUSTABLE, FLAT BUSBAR SUPPORTS

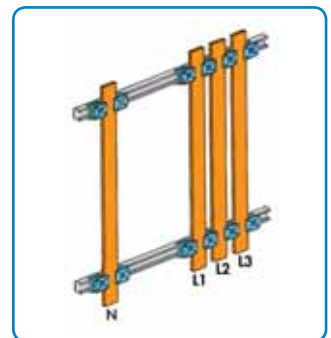
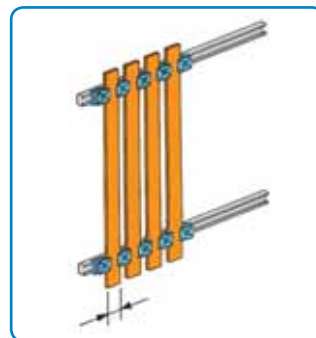
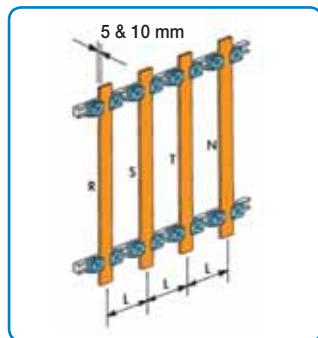
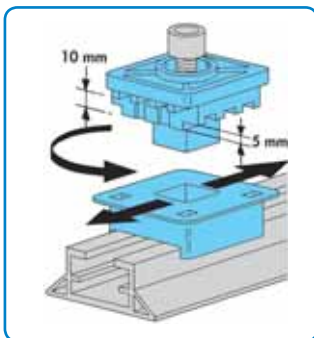


- ▼ Distance between the phases can be adjusted.
- ▼ Enables easy mounting.
- ▼ High resistance to short current power
- ▼ Operating range between -40°C and -130°C
- ▼ Fire protection in line with UL 94 VO standard.
- ▼ Applicable to 5-10mm busbar cross-sections
- ▼ Copper busbar has flexibility.
- ▼ Application up till 2300A.

Reference No : 504.991 (12 pcs pack of)
Material : Polyamide, glass fibre reinforced



○ Heavy equipment profile, page 76





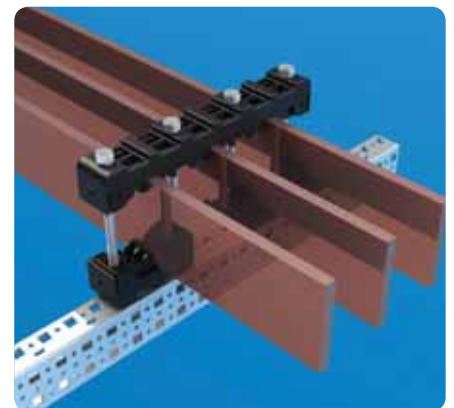
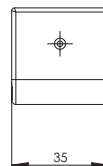
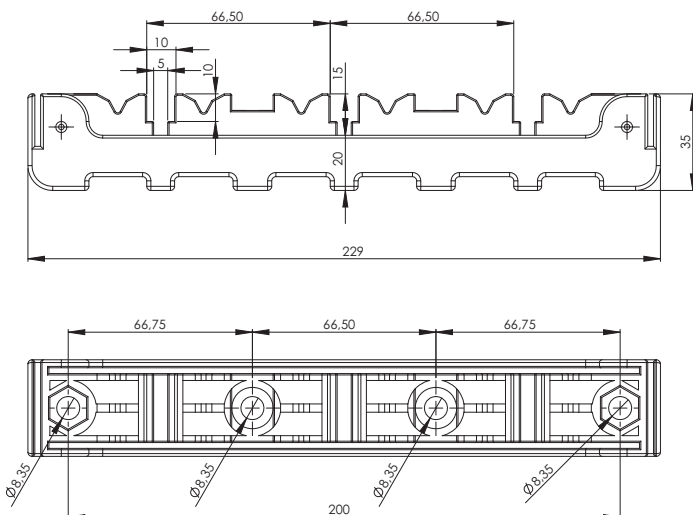
- ▼ The busbar supports can be adjusted with 25mm steps.
- ▼ Easy mounting
- ▼ Cost-effective solution
- ▼ Operating range between -40 °C and + 130 °C
- ▼ Halogen-free
- ▼ Fire protection in line with UL 94 VO standard.
- ▼ 4 screw fastening.

- ▼ Applicable to 5-10mm busbar cross-sections.
- ▼ Applicable to size 25-120 mm busbar.
- ▼ Can be used in applications between 250A-1600A .
- ▼ Suitable for 3 phase application.

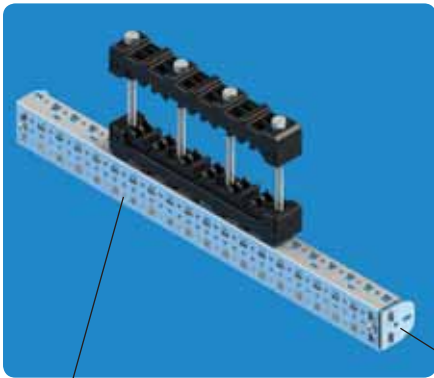
Material : Polyamide glass fibre reinforced.

Supply Includes : 2 pcs busbar support and combination screws.

Reference No : **600.002** (1 set: 2 psc)



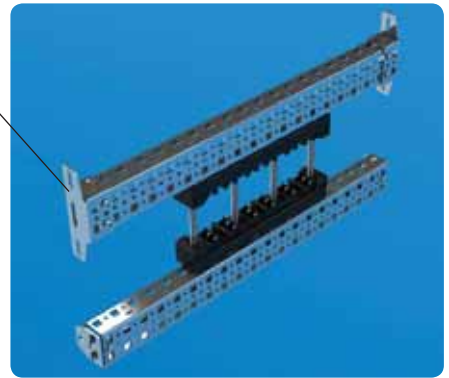
1 APPLICATION



○ 50x25 Scissile Rail page 75

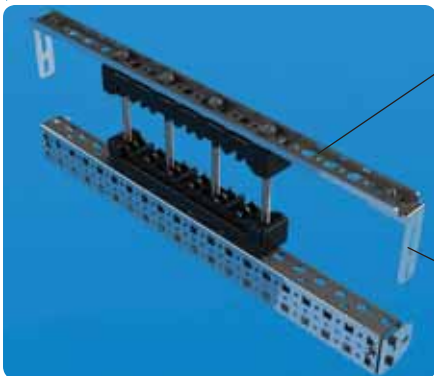
○ Plug-in Rail Bracket, page 77

2 APPLICATION



○ Adjustable Rail Bracket, Type T, page 78

3 APPLICATION



○ Auxiliary Rail, page 76

○ Auxiliary Rail Bracket, page 80

4 APPLICATION



○ M6 Hide Nut Page 214

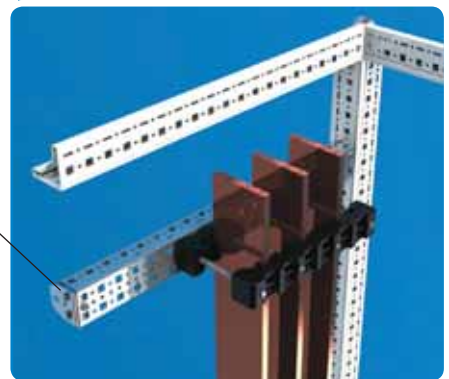
○ Adjustable Rail Bracket, Type T, page 78

5 APPLICATION



○ Adjustable Rail Bracket, Type T, page 78

6 APPLICATION



○ Plug-in Rail Bracket page 77

7 APPLICATION



○ Adjustable Rail Bracket, Type L, page 79

BUSBAR SUPPORTS AND BUSBARS

PLUG-IN COMPACT BUSBARS



Distance between the busbar supports can be adjusted with 25mm steps.

Easy mounting

Cost-effective solution

Operating range between -40°C and $+130^{\circ}\text{C}$

Halogen-free

Fire protection in line UL 94 VO standard.

4 screw fastening.

Its tusk channel structure allows for easy busbar combination.

Applicable to 5-10mm busbar cross-sections.

Applicable to size 25-120 mm busbar.

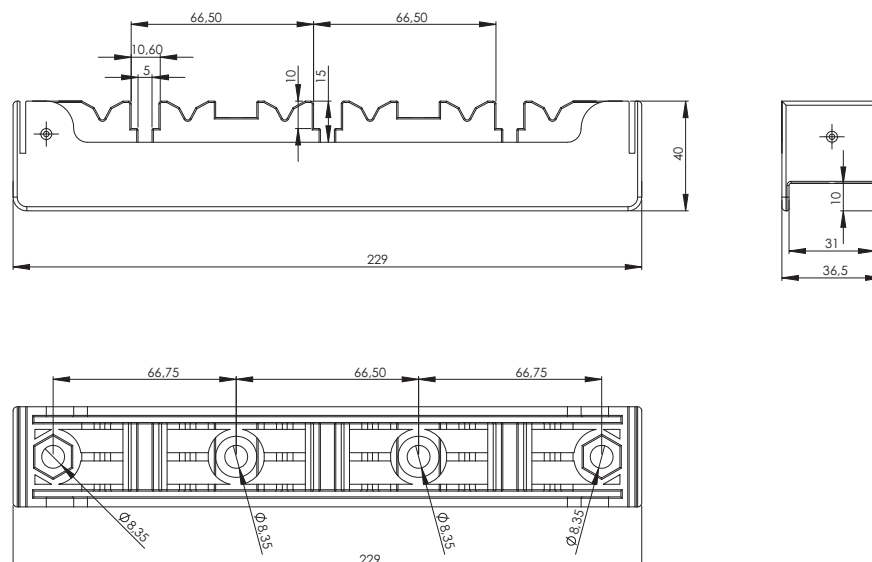
Can be used in applications between 250A-1600A .

Suitable for 3 phase application.

Material : Polyamide glass fibre reinforced.

Supply Includes : 2 pcs busbar support and combination screws.

Reference No : **600.003** (1 set: 2 pcs)



ERIFLEX®

ERICO®



- ▼ Made from electrolyte conductive copper.
- ▼ Highly-protected support. Made from self-extinguishing PVC or silicon composition.
- ▼ Maximum bending and turning.
- ▼ Operating range between -25 C° and +150 C°.
- ▼ High flexibility: 370%

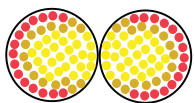
Skin Effect

Comparison of the penetration depth between:

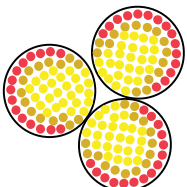
1 x 95 mm² Copper Cable — OR → 1 x ERIFLEX® FLEXIBAR 2 x 20 x 1 40 mm²



2 x 150 mm² Copper Cables — OR → 1 x ERIFLEX® FLEXIBAR 5 x 32 x 1 160 mm²



3x 185 mm² Copper Cables — OR → 1 x ERIFLEX® FLEXIBAR 6 x 50 x 1 300 mm²

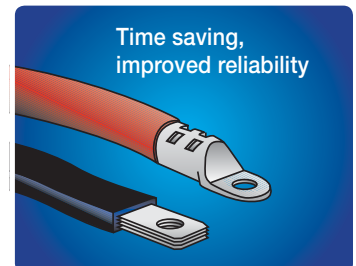
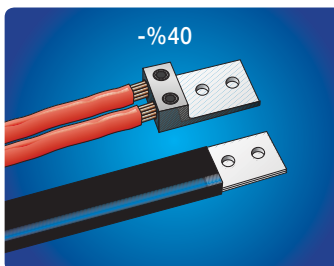
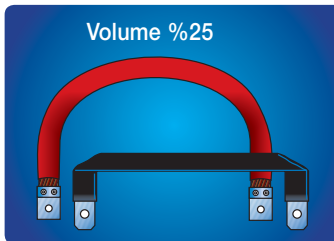


■ = Conductor
■ = Reduced Conductivity
■ = Insulation

Representative to scale.

ERIFLEX FLEXIBAR intensity and cable intensity are based on conductor temperature rise of 50 C°.

Nominal Voltage: 1000V AC/ 1500 V DC



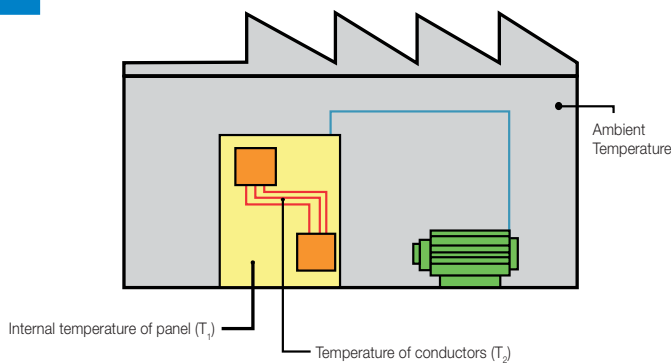
BUSBAR SUPPORTS AND BUSBARS

FLEXIBLE COPPER BUSBARS

ERICO



SELECTION OF ERIFLEX FLEXIBAR ACCORDING TO THE INTERNAL TEMPERATURE OF THE PANEL



$$\text{Temperature rise of conductor} = T_2 - T_1 = \Delta T \text{ (K)}$$

Ex.: For a current of 630 A, with

$$T_1 = 40^\circ\text{C} - T_2 = 90^\circ\text{C}$$

$$1) \Delta T = 90 - 40 = 50 \text{ K}$$

2) In the 50°C column, find the closest current value to 630A.
ERIFLEX FLEXIBAR 5 x 32 x 1 - 552650 - 160 mm² - 640A

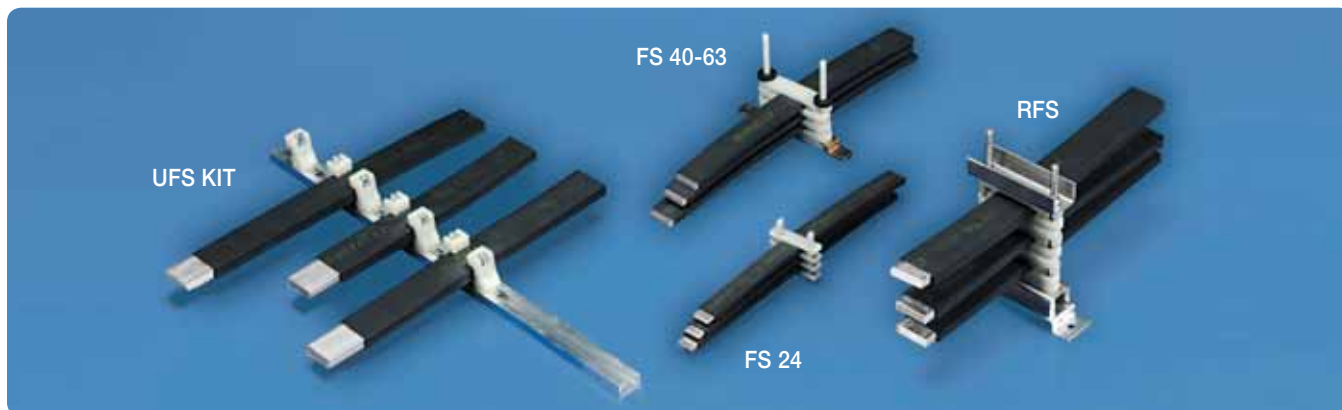
3) Select ERIFLEX FLEXIBAR according to the terminal width of the equipment being connected.

ADMISSIBLE CURRENTS : This table indicates the temperature rise produced by chosen current in the given section. This calculation does not take into account the heat dissipation from the switch gear.

A	UNIT METER	PACKS OF	REF. NO	SECTION			SECTION mm ²	ΔT (K)						CURRENT COEFFICIENT	
				N	A	B		70	60	50	40	30	20		
250A	2	5	552.490	2	20	1	40	326	300	275	246	214	174	1.72	2.25
	2	5	552.500	3	20	1	60	428	395	360	323	280	228	1.72	2.25
400A	2	5	552.520	5	20	1	100	498	460	420	376	326	266	1.72	2.25
	2	5	552.530	6	20	1	120	546	506	462	413	358	292	1.72	2.25
500A	2	5	552.580	5	24	1	120	608	563	514	460	398	325	1.72	2.25
	2	5	552.590	6	24	1	144	670	620	566	506	438	358	1.72	2.25
630A	2	5	552.650	5	32	1	160	758	702	640	573	496	405	1.72	2.25
	2	5	552.660	6	32	1	192	846	783	715	640	555	452	1.72	2.25
800A	2	5	552.730	6	40	1	240	1018	943	860	770	667	544	1.72	2.25
1000A	2	5	552.740	8	40	1	320	1230	1140	1040	930	805	658	1.72	2.25
	2	5	552.750	10	40	1	400	1400	1295	1181	1055	915	747	1.72	2.25
1250A	2	2	552.810	10	50	1	500	1650	1525	1395	1245	1080	882	1.72	2.25
1600A	2	2	552.870	10	63	1	630	1895	1755	1600	1435	1240	1012	1.65	2.12
	2	2	552.920	8	80	1	640	1895	1755	1600	1435	1240	1012	1.65	2.12
	2	2	552.930	10	80	1	800	2100	1945	1775	1585	1375	1123	1.65	2.12
	2	2	552.990	12	100	1	1200	2500	2315	2115	1890	1636	1338	1.6	2.02

When using 2 or 3 busbar in parallel, use the coefficient:

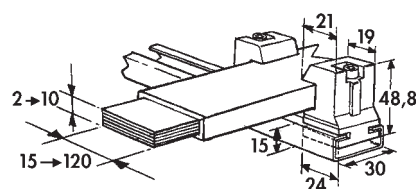
Example : 5 x 32 x 1 - $\Delta T = 50$ K: 640 A
 2 parallel bars > 640A x 1,72 = 1100A
 3 parallel bars > 640A x 2,25 = 1440A



UFS KIT

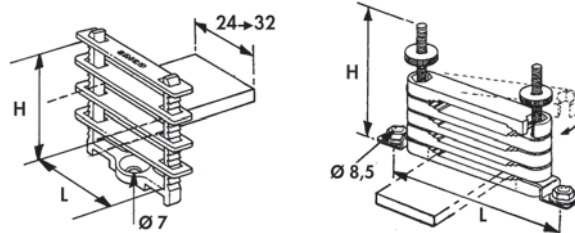
- Bracket for flexible busbars.
- 2mm aluminium profile and 24 pcs bracket.
- Made from glass-fibre-reinforced, non-halogen polyamid

Reference Number: 553.590



FS SPACER CLAMP

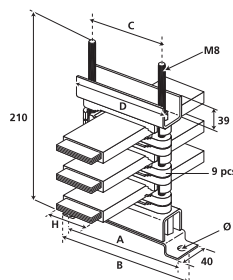
- Holds flexible busbars evenly and in parallel position.
- Sufficient number of perforations for optimum cooling.
- 4 pcs flexible busbar can be held together.



DESCRIPTION	FLEXABLE BARA TİPİ	H(mm)	L(mm)	PACKS OF	REFERENCE NO
FS 24	=< 24mm	53	30	25	553.550
FS 32	=< 32mm	53	38	25	553.560
FS 40-63	40,50,63mm	95	150	10	553.570
FS 80-100	80/100mm	140	200	10	553.580

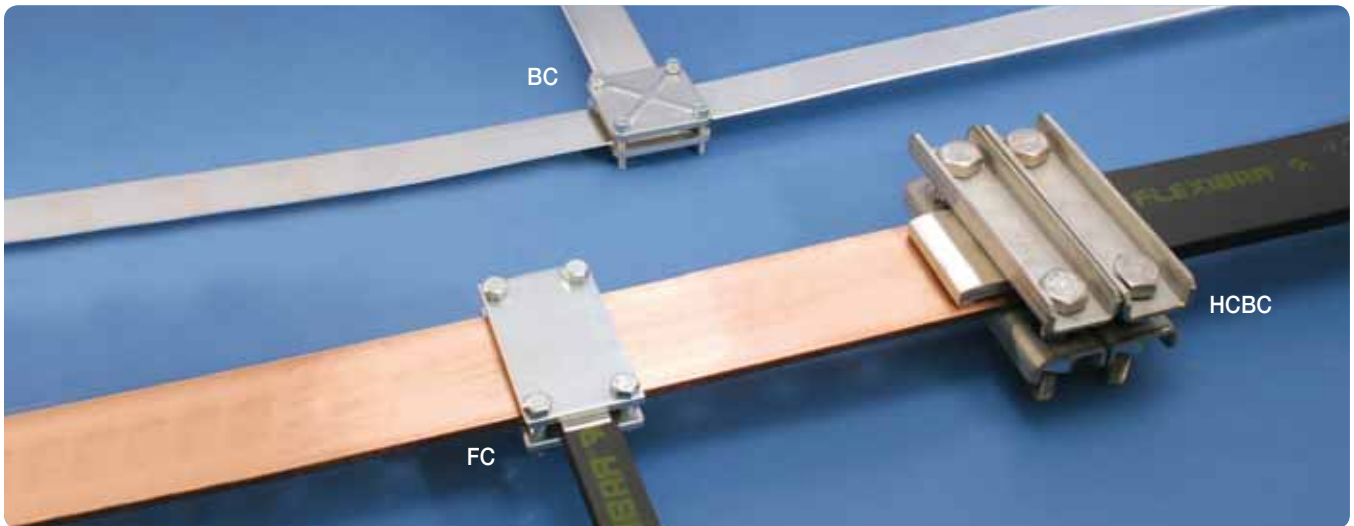
RFS SUPPORT

- Can hold 8 pcs busbar in parallel position.
- Can be mounted with 25mm steps on the plate.
- Recommended distance between the brackets: 400 mm



DESCRIPTION	FLEXABLE BARA TİPİ	A(mm)	B(mm)	C(mm)	D(mm)	PACKS OF	REFERENCE NO
RFS 40-63	40,50,63mm	150	175	90	120	1	553.370
RFS 80-100	80/100mm	200	225	140	170	1	553.380

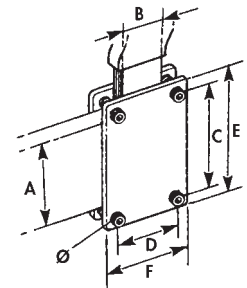
ERICO



FC BUSBAR CLAMP

- ▼ Holding capacity: 20mm
- ▼ 2 pcs mild steel+ zinc-plating part tightened with 8.8 quality M8 screws.

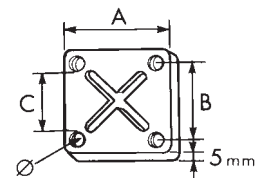
DESCRIPTION	A(mm)	B(mm)	C(mm)	D(mm)	E(mm)	F(mm)	PACKS OF	REFERENCE NO.
FC 50 x24	50	20-24	60	36	75	52	3	553.020
FC 50 x32	50	32	60	44	75	60	3	553.030
FC 50 x40	50	40	60	52	75	68	3	553.040
FC 80 x24	80	20-24	90	36	105	52	3	553.050
FC 80 x32	80	32	90	44	105	60	3	553.060
FC 80 x50	80	50	90	62	105	78	3	553.070
FC 100 x32	100	32	110	44	125	60	3	568.700
FC 120 x32	120	32	130	44	145	60	3	568.730



BC RIBBED - STEEL BUSBAR CLAMP

- ▼ Holding capacity: 20mm
- ▼ 2 pcs zinc-plated, reinforced steel sheet effectively tightened with the help of grooves.
- ▼ Holding capacity can be increased upto 50mm by means of a longer visa.

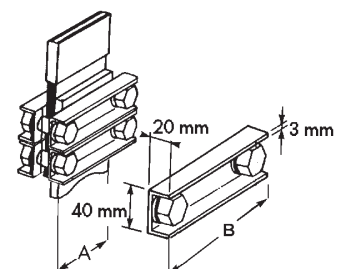
DESCRIPTION	A(mm)	B(mm)	C(mm)	ÇAP	PACKS OF	REFERENCE NO
BC 30	56	42	30	M6	8	553.200
BC 40	66	52	40	M6	8	553.210
BC 50	83	64	50	M8	8	553.220
BC 63	93	74	63	M8	4	553.230
BC 80	118	96	80	M10	4	553.250
BC 100	144	118	100	M10	4	553.260

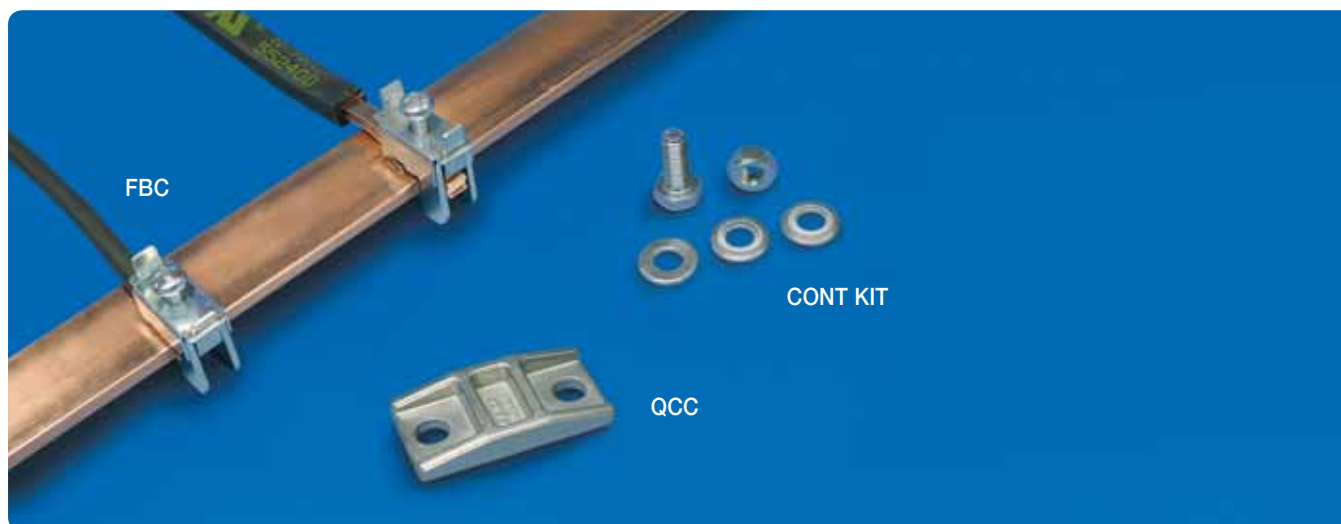


HCBC HIGH-CURRENT BUSBAR CLAMP

- ▼ 40 mm/ Holding capacity: 40mm
- ▼ This modular busbar bracket is used in transformer combinations.
- ▼ The brackets are made from non-magnetic materials for heavy current combinations.
- ▼ Please use 2 pcs bracket to assure tightening force.

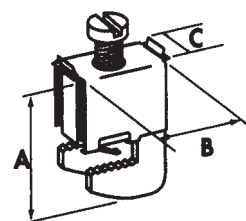
DESCRIPTION	A(mm)	B(mm)	C(mm)
HCBC 80	80	140	553.100
HCBC 100	100	160	553.110
HCBC 120	120	180	553.120





FBC CONNECTORS FOR CONNECTING without DRILLING

- ▼ Applicable to non-perforated busbar combinations.
- ▼ Applicable to 5-10mm busbar thickness.
- ▼ Cables from 1 mm² up to 185 mm² or flexibar width 6 to 20 mm



BUSBAR THICKNESS 5 mm							
DESCRIPTION	A(mm)	B(mm)	C(mm)		CABLE SIZE mm ²	PACKS OF	REFERENCE NO
FBC 5x4	23	29	11		4	15	553.405
FBC 5x6	27	23	11.5	6mm	2,5-16	15	553.400
FBC 5x9	38	40	19	9mm	16-50	15	553.410
FBC 5x15,5	44	40	25	15,5mm	35-70	15	553.510
FBC 5x20	49	40	31	20mm	70-185	15	553.520

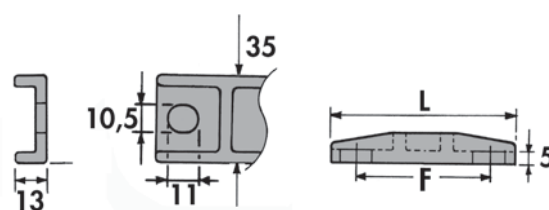
BUSBAR THICKNESS 10 mm							
DESCRIPTION	A(mm)	B(mm)	C(mm)		CABLE SIZE mm ²	PACKS OF	REFERENCE NO
FBC 10x4	28	29	11		4	15	553.505
FBC 10x6	33	23	11.5	6mm	2,5-16	15	553.430
FBC 10x9	42	40	19	9mm	16-50	15	553.440
FBC 10x15,5	49	40	25	15,5mm	35-70	15	553.530
FBC 10x20	54	40	31	20mm	70-185	15	553.540

ERICO



QCC CLAMP

- ▼ Applicable to flexible busbars.
- ▼ 1 pcs bracket required for a thickness of 5mm or less; 2 pcs bracket for thicker sizes.



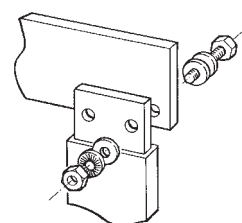
DESCRIPTION	FLEX BAR		L(mm)	F(mm)	PACKS OF	REFERENCE NO
	MIN mm	MAX mm				
QCC 6/13	6	13	48	25	5	561.200
QCC 15,5/32	15.5	32	70	50	5	561.210
QCC 40/63	40	63	95	75	5	561.220

CONT KIT

- ▼ Special steel screw, nut and washer
- ▼ For good electrical contact
- Supply Includes :** 100 screw, 100 nut and 200 pcs contact washers
- ▼ Washers design from: 8/8 ZN8C

DESCRIPTION	TORQUE N.m	PACKS OF	REFERENCE NO
CONT KIT M6 x16	13	100	558.310
CONT KIT M8 x30	30	100	558.340
CONT KIT M10 x30	60	100	558.370
CONT KIT M10 x50	60	100	558.410
CONT KIT M12 x30	110	100	558.440
CONT KIT M12 x40	110	100	558.460
CONT KIT M12 x50	110	100	558.480
CONT KIT M12 x60	110	100	558.880
CONT KIT M12 x80	110	100	558.490

CLAMPING TORQUE CALCULATION



O	M6	M8	M10	M12	M14	M16
F(daN)	800	1450	2300	3700	4400	6000
Clamping Torque Nm	13	30	60	110	174	274

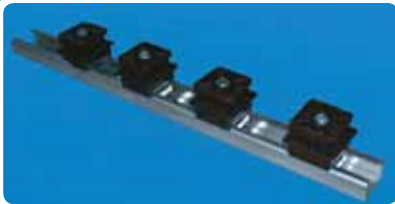
ADJUSTABLE BUSBAR SUPPORT



CABS 4/5										
IpK KA	24	48	63	82	114	145	152	165	187	209
Icc rms KA1s	12	23	30	39	52	66	69	75	85	95
Busbar Section	Distance Between Busbar Supports(mm)									
	Distance Between Phases to D=112,5mm									
30x5mm	1000	664	501	385	276	217	207	191	168	150
40x5mm	1000	755	579	445	318	251	240	220	194	174
50x5mm	1000	845	647	498	356	280	268	247	217	194
63x5mm	1000	948	727	559	400	315	301	277	244	207
80x5mm	1000	1000	819	630	451	355	339	312	259	207
100x5mm	1000	1000	916	704	504	397	380	333	259	207
120x5mm	1000	1000	1000	788	568	430	394	333	259	207
Distance Between Phases to D=125mm										
30x5mm	1000	689	528	406	291	229	219	201	177	159
40x5mm	1000	796	610	469	336	264	253	232	205	183
50x5mm	1000	890	682	525	375	296	283	260	229	205
63x5mm	1000	1000	766	589	421	332	317	292	257	230
80x5mm	1000	1000	863	664	475	374	358	329	288	230
100x5mm	1000	1000	965	742	531	418	400	368	288	230
120x5mm	1000	1000	1000	830	594	468	437	370	288	230
Distance Between Phases to D=150mm										
30x5mm	1000	755	579	445	318	251	240	220	194	174
40x5mm	1000	872	669	514	368	290	277	255	225	201
50x5mm	1000	975	748	575	411	324	310	285	251	225
63x5mm	1000	1000	839	645	462	364	348	320	282	252
80x5mm	1000	1000	946	727	520	410	392	361	318	277
100x5mm	1000	1000	1000	813	582	458	438	403	346	277
120x5mm	1000	1000	1000	910	651	513	490	444	346	*

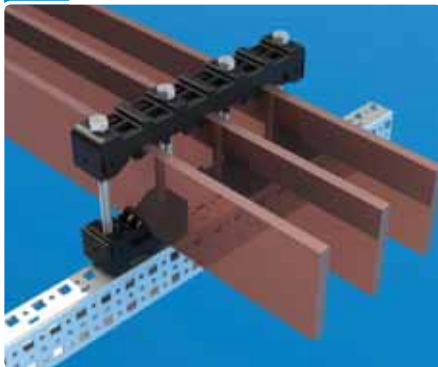
CABS 4/5										
IpK KA	48	63	82	114	145	152	165	187	209	231
Icc rms KA1s	23	30	39	52	66	69	75	85	95	105
Bara Kesiti	Distance Between Busbar Supports(mm)									
	Distance Between Phases to D=150mm									
30x10mm	1000	1000	891	638	502	480	442	390	341	279
40x10mm	1000	1000	1000	736	580	555	510	427	341	279
50x10mm	1000	1000	1000	824	649	620	548	427	341	279
60x10mm	1000	1000	1000	902	709	648	548	427	341	279
80x10mm	1000	1000	1000	1000	709	648	548	427	341	279
100x10mm	1000	1000	1000	1000	709	648	548	427	341	279
120x10mm	1000	1000	1000	1000	709	648	548	427	341	279
Distance Between Phases to D=175mm										
30x10mm	1000	1000	963	689	543	519	477	421	377	326
40x10mm	1000	1000	1000	796	627	599	551	486	399	326
50x10mm	1000	1000	1000	890	701	670	616	498	399	326
60x10mm	1000	1000	1000	975	768	734	640	498	399	326
80x10mm	1000	1000	1000	1000	827	756	640	498	399	326
100x10mm	1000	1000	1000	1000	827	756	640	498	399	326
120x10mm	1000	1000	1000	1000	827	756	640	498	399	326

ADJUSTABLE FLAT BUSBAR SUPPORT



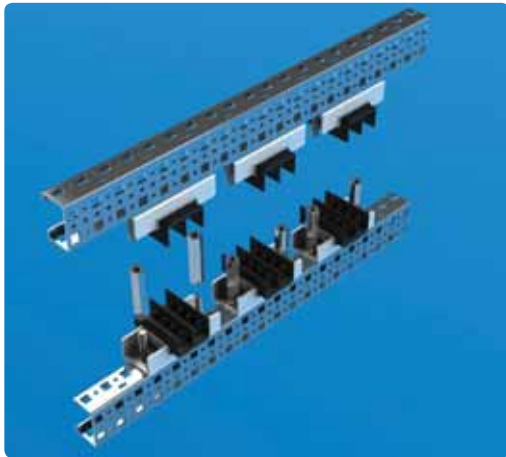
AFBS 600 - AFB										
Ipk KA	11	14	24	48	63	82	114	145	152	165
Icc rms KA1s	23	30	39	52	66	69	75	85	95	105
Busbar Section	Distance Between Busbar Supports(mm)									
	30x5mm	1000	1000	1000	698	464	274	140	x	x
40x5mm	1000	1000	1000	915	537	317	162	100	x	x
50x5mm	1000	1000	1000	1000	610	361	184	114	104	x
63x5mm	1000	1000	1000	1000	705	416	213	132	121	102
80x5mm	1000	1000	1000	1000	824	490	250	155	142	120
100x5mm	1000	1000	1000	1000	974	576	295	182	167	141
125x5mm	1000	1000	1000	1000	1000	683	350	217	198	168
50x10mm	1000	1000	1000	1000	610	361	184	114	104	x
60x10mm	1000	1000	1000	1000	683	404	206	128	117	x
80x10mm	1000	1000	1000	1000	828	490	250	155	142	120
100x10mm	1000	1000	1000	1000	974	576	295	182	167	141
120x10mm	1000	1000	1000	1000	1000	662	339	210	192	162

COMPACT BUSBAR SUPPORT



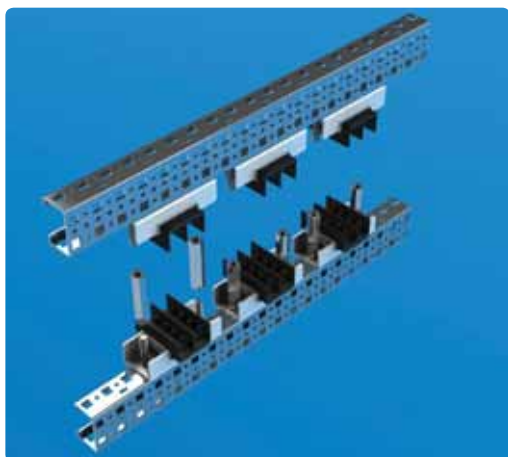
COMPACT BUSBAR SUPPORT					
Busbar Section	Distance Between Busbar Supports(mm)				
	414mm	514mm	714mm	914mm	1114mm
Short Circuit Effective Value (Icc rms)					
30x5mm	26 KA	21 KA	15 KA	11 KA	9 KA
40x5mm	30 KA	24 KA	17 KA	13 KA	11 KA
50x5mm	34 KA	27 KA	20 KA	15 KA	12 KA
60x5mm	36 KA	29 KA	21 KA	17 KA	13 KA
80x5mm	43 KA	35 KA	25 KA	19 KA	16 KA
100x5mm	48 KA	40 KA	28 KA	22 KA	17 KA

COMPACT BUSBAR SUPPORT					
Busbar Section	Distance Between Busbar Supports(mm)				
	414mm	514mm	714mm	914mm	1114mm
Short Circuit Effective Value (Icc rms)					
40x10mm	48 KA	40 KA	29 KA	22 KA	18 KA
50x10mm	55 KA	44 KA	32 KA	25 KA	20 KA
60x10mm	61 KA	49 KA	35 KA	27 KA	22 KA
80x10mm	70KA	56 KA	40 KA	31 KA	26KA
100x10mm	78KA	63 KA	45 KA	35 KA	29KA
120x10mm	85KA	69 KA	50 KA	39 KA	32KA



ADJUSTABLE BUSBAR SUPPORT (METAL-REINFORCED)

ABS 1/5											
I _p KA	24	48	63	82	114	145	152	165	187	209	231
I _{cc} rms KA1s	12	23	30	39	52	66	69	75	85	95	105
Busbar Section	Distance Between Busbar Supports(mm)										
	Distance Between Phases to D=75mm										
50x5mm	801	398	305	234	167	132	126	116	102	X	X
63x5mm	900	446	342	263	188	148	141	130	115	102	X
80x5mm	1000	503	386	296	212	167	159	147	129	116	104
100x5mm	1000	563	431	331	237	187	178	164	145	129	117
125x5mm	1000	629	482	371	265	209	200	184	162	145	131
Distance Between Phases to D=100mm											
50x5mm	925	459	352	270	193	152	145	134	118	105	X
63x5mm	1000	516	395	304	217	171	163	150	132	118	107
80x5mm	1000	581	445	342	245	193	184	169	149	134	121
100x5mm	1000	650	498	383	274	216	206	190	167	149	135
125x5mm	1000	727	557	428	306	241	231	212	187	167	151
Distance Between Phases to D=125mm											
50x5mm	1000	514	394	303	216	170	163	150	132	118	107
63x5mm	1000	577	442	340	243	191	183	168	148	133	120
80x5mm	1000	650	498	383	274	216	206	190	167	149	135
100x5mm	1000	727	557	428	306	241	231	212	187	167	151
125x5mm	1000	813	623	479	343	270	258	237	209	187	169
Distance Between Phases to D=150mm											
50x5mm	1000	563	431	331	237	187	178	164	145	129	117
63x5mm	1000	632	484	372	266	210	200	184	162	145	131
80x5mm	1000	712	546	420	300	236	226	208	183	164	148
100x5mm	1000	796	610	469	336	264	253	232	205	183	166
125x5mm	1000	890	682	525	375	296	283	260	229	205	185
Distance Between Phases to D=175mm											
50x5mm	1000	608	466	358	256	202	193	177	156	140	126
63x5mm	1000	683	523	402	288	226	216	199	176	157	142
80x5mm	1000	769	590	453	324	255	244	224	198	177	160
100x5mm	1000	860	659	507	363	285	273	251	221	198	179
125x5mm	1000	962	737	567	406	319	305	281	248	222	200
Distance Between Phases to D=200mm											
50x5mm	1000	650	498	383	274	216	206	190	167	149	135
63x5mm	1000	730	559	430	308	242	232	213	188	168	152
80x5mm	1000	822	630	485	347	273	261	240	212	189	171
100x5mm	1000	920	705	542	388	305	292	268	237	212	191
125x5mm	1000	1000	788	606	434	341	327	300	265	237	214



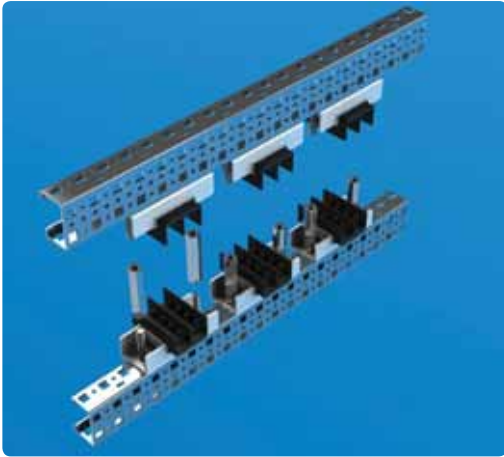
ADJUSTABLE BUSBAR SUPPORT (METAL-REINFORCED)

ABS 4/5											
Ip KA	24	48	63	82	114	145	152	165	187	209	231
loc rms KA1s	12	23	30	39	52	66	69	75	85	95	105
Busbar Section	Distance Between Busbar Supports(mm)										
	Distance Between Phases to D=100mm										
50x5mm	1000	920	705	542	388	305	292	268	237	212	191
63x5mm	1000	1000	791	608	435	343	328	302	266	238	215
80x5mm	1000	1000	892	686	491	386	370	340	300	268	242
100x5mm	1000	1000	997	767	549	432	413	380	335	300	262
125x5mm	1000	1000	1000	857	614	483	462	425	375	320	262
Distance Between Phases to D=125mm											
50x5mm	1000	1000	788	606	434	341	327	300	265	237	214
63x5mm	1000	1000	885	680	487	383	367	337	297	266	241
80x5mm	1000	1000	997	767	549	432	413	380	335	300	271
100x5mm	1000	1000	1000	854	614	483	462	425	375	335	303
125x5mm	1000	1000	1000	959	686	540	517	475	419	375	327
Distance Between Phases to D=150mm											
50x5mm	1000	1000	863	664	475	374	358	329	290	260	235
63x5mm	1000	1000	969	745	533	420	402	369	326	291	264
80x5mm	1000	1000	1000	840	601	473	453	416	367	329	297
100x5mm	1000	1000	1000	939	672	529	506	466	411	368	332
125x5mm	1000	1000	1000	1000	752	592	566	521	459	411	372
Distance Between Phases to D=175mm											
50x5mm	1000	1000	933	717	513	404	387	356	314	280	254
63x5mm	1000	1000	1000	805	576	454	434	399	352	315	285
80x5mm	1000	1000	1000	907	649	511	489	450	394	355	321
100x5mm	1000	1000	1000	1000	726	572	547	503	444	397	359
125x5mm	1000	1000	1000	1000	812	640	612	563	496	444	402
Distance Between Phases to D=200mm											
50x5mm	1000	1000	997	767	549	432	413	380	335	300	271
63x5mm	1000	1000	1000	861	616	485	464	427	376	337	305
80x5mm	1000	1000	1000	970	694	547	523	481	424	380	343
100x5mm	1000	1000	1000	1000	776	611	585	538	475	425	384
125x5mm	1000	1000	1000	1000	868	684	654	602	531	475	429

BUSBAR CALCULATION TABLES

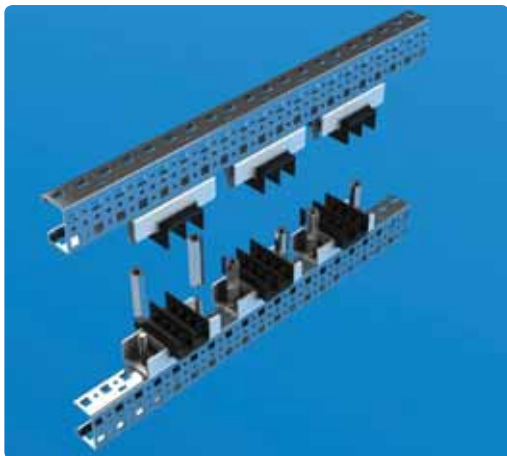
ADJUSTABLE BUSBAR SUPPORT (METAL-REINFORCED)

ABS 1/10											
Ip KA	24	48	63	82	114	145	152	165	187	209	231
Icc rms KA1s	12	23	30	39	52	66	69	75	85	95	105
Busbar Section	Distance Between Busbar Supports(mm)										
	Distance Between Phases to D=75mm										
50x10mm	1000	796	610	469	336	264	253	232	205	183	166
60x10mm	1000	872	669	514	368	290	277	255	225	201	182
80x10mm	1000	1000	772	594	425	334	320	294	250	224	183
100x10mm	1000	1000	863	664	475	374	358	329	280	224	183
120x10mm	1000	1000	946	727	520	410	392	360	280	224	183
160x10mm	1000	1000	1000	840	601	466	426	360	280	224	183
200x10mm	1000	1000	1000	939	672	466	426	360	280	224	183
Distance Between Phases to D=100mm											
50x10mm	1000	920	705	542	388	305	292	268	237	212	191
60x10mm	1000	1000	772	594	425	334	320	294	259	232	210
80x10mm	1000	1000	892	686	491	386	370	340	300	268	242
100x10mm	1000	1000	997	767	549	432	413	380	335	299	245
120x10mm	1000	1000	1000	840	601	473	453	416	367	299	245
160x10mm	1000	1000	1000	970	694	547	523	481	374	299	245
200x10mm	1000	1000	1000	1000	776	611	568	481	374	299	245
Distance Between Phases to D=125mm											
50x10mm	1000	1000	788	606	434	341	327	300	265	237	214
60x10mm	1000	1000	863	664	475	374	358	329	290	260	235
80x10mm	1000	1000	997	767	549	432	413	380	335	300	271
100x10mm	1000	1000	1000	857	614	483	462	425	375	335	303
120x10mm	1000	1000	1000	939	672	529	506	466	411	368	306
160x10mm	1000	1000	1000	1000	776	611	585	538	468	374	306
200x10mm	1000	1000	1000	1000	868	684	654	601	468	374	306
Distance Between Phases to D=150mm											
*	1000	1000	863	664	475	374	358	329	290	260	235
60x10mm	1000	1000	946	727	520	410	392	361	318	284	257
80x10mm	1000	1000	1000	840	601	473	453	416	367	329	297
100x10mm	1000	1000	1000	939	672	529	506	466	411	368	332
120x10mm	1000	1000	1000	1000	736	58	555	510	450	403	364
160x10mm	1000	1000	1000	1000	851	670	641	589	520	450	368
200x10mm	1000	1000	1000	1000	951	749	717	659	562	450	368
Distance Between Phases to D=175mm											
50x10mm	1000	1000	933	717	513	404	387	356	314	280	254
60x10mm	1000	1000	1000	786	562	443	423	390	344	307	278
80x10mm	1000	1000	1000	907	649	511	489	450	397	355	321
100x10mm	1000	1000	1000	1000	726	572	547	503	444	397	359
120x10mm	1000	1000	1000	1000	796	627	599	551	486	435	393
160x10mm	1000	1000	1000	1000	919	724	692	637	562	502	429
200x10mm	1000	1000	1000	1000	1000	809	774	712	628	525	429
Distance Between Phases to D=200mm											
50x10mm	1000	1000	997	767	549	432	413	380	335	300	171
60x10mm	1000	1000	1000	840	601	473	453	416	367	329	297
80x10mm	1000	1000	1000	970	694	547	523	481	424	380	343
100x10mm	1000	1000	1000	1000	776	611	585	538	475	425	384
120x10mm	1000	1000	1000	1000	851	670	641	589	520	465	421
160x10mm	1000	1000	1000	1000	982	774	740	681	601	537	486
200x10mm	1000	1000	1000	1000	1000	865	828	761	672	600	491



ADJUSTABLE BUSBAR SUPPORT (METAL-REINFORCED)

ABS 2/10											
Ip KA	24	48	63	82	114	145	152	165	187	209	231
loc rms KA1s	12	23	30	39	52	66	69	75	85	95	105
Busbar Section	Distance Between Busbar Supports(mm)										
	Distance Between Phases to D=125mm										
50x10mm	1000	1000	1000	857	614	483	462	425	375	335	303
60x10mm	1000	1000	1000	939	672	529	506	466	411	368	327
80x10mm	1000	1000	1000	1000	776	611	585	538	475	400	327
100x10mm	1000	1000	1000	1000	868	684	654	602	500	400	327
120x10mm	1000	1000	1000	1000	951	749	717	642	500	400	327
160x10mm	1000	1000	1000	1000	1000	830	759	642	500	400	327
200x10mm	1000	1000	1000	1000	1000	830	759	642	500	400	327
Distance Between Phases to D=150mm											
50x10mm	1000	1000	1000	939	672	529	506	466	411	368	332
60x10mm	1000	1000	1000	1000	736	580	555	510	450	403	364
80x10mm	1000	1000	1000	1000	851	670	641	589	520	465	393
100x10mm	1000	1000	1000	1000	951	749	717	659	581	480	393
120x10mm	1000	1000	1000	1000	1000	821	785	722	600	480	393
160x10mm	1000	1000	1000	1000	1000	948	907	771	600	480	393
200x10mm	1000	1000	1000	1000	1000	996	911	771	600	480	393
Distance Between Phases to D=175mm											
50x10mm	1000	1000	1000	1000	726	572	547	503	444	394	359
60x10mm	1000	1000	1000	1000	796	627	599	551	486	435	393
80x10mm	1000	1000	1000	1000	919	724	692	637	562	502	455
100x10mm	1000	1000	1000	1000	1000	809	774	712	628	560	459
120x10mm	1000	1000	1000	1000	1000	887	848	780	688	560	459
160x10mm	1000	1000	1000	1000	1000	1000	979	900	700	560	459
200x10mm	1000	1000	1000	1000	1000	1000	1000	900	700	560	459
Distance Between Phases to D=200mm											
50x10mm	1000	1000	1000	1000	776	611	585	538	475	425	384
60x10mm	1000	1000	1000	1000	851	670	641	589	520	465	421
80x10mm	1000	1000	1000	1000	982	774	740	681	601	537	486
100x10mm	1000	1000	1000	1000	1000	865	828	761	672	601	524
120x10mm	1000	1000	1000	1000	1000	948	907	834	736	641	524
160x10mm	1000	1000	1000	1000	1000	1000	1000	963	801	641	524
200x10mm	1000	1000	1000	1000	1000	1000	1000	1000	801	641	524



ADJUSTABLE BUSBAR SUPPORT (METAL-REINFORCED)

ABS 3/10											
Ip KA	24	48	63	82	114	145	152	165	187	209	231
Icc rms KA1s	12	23	30	39	52	66	69	75	85	95	105
Busbar Section	Distance Between Busbar Supports(mm)										
	Distance Between Phases to D=150mm										
50x10mm	1000	1000	1000	1000	824	649	620	521	503	450	393
60x10mm	1000	1000	1000	1000	902	711	680	625	552	480	393
80x10mm	1000	1000	1000	1000	1000	821	785	722	600	480	393
100x10mm	1000	1000	1000	1000	1000	918	848	771	600	480	393
120x10mm	1000	1000	1000	1000	1000	996	911	771	600	480	393
160x10mm	1000	1000	1000	1000	1000	996	911	771	600	480	393
200x10mm	1000	1000	1000	1000	1000	996	911	771	600	480	393
Distance Between Phases to D=175mm											
50x10mm	1000	1000	1000	1000	890	701	670	616	544	486	440
60x10mm	1000	1000	1000	1000	975	768	734	675	596	533	459
80x10mm	1000	1000	1000	1000	1000	887	848	780	688	560	459
100x10mm	1000	1000	1000	1000	1000	991	948	872	700	560	459
120x10mm	1000	1000	1000	1000	1000	1000	1000	900	700	560	459
160x10mm	1000	1000	1000	1000	1000	1000	1000	900	700	560	459
200x10mm	1000	1000	1000	1000	1000	1000	1000	900	700	560	459
Distance Between Phases to D=200mm											
50x10mm	1000	1000	1000	1000	951	749	717	659	581	520	471
60x10mm	1000	1000	1000	1000	1000	821	785	722	637	570	516
80x10mm	1000	1000	1000	1000	1000	948	907	834	736	641	524
100x10mm	1000	1000	1000	1000	1000	1000	1000	933	801	641	524
120x10mm	1000	1000	1000	1000	1000	1000	1000	1000	801	641	524
160x10mm	1000	1000	1000	1000	1000	1000	1000	1000	801	641	524
200x10mm	1000	1000	1000	1000	1000	1000	1000	1000	801	641	524





VENTILATION FILTERS AND FANS
PAGE 186-187



AIR-CONDITIONERS AND HEAT EXCHANGERS
PAGE 188-193



HEATERS
PAGE 194



THERMAL CONTROL PRODUCTS
PAGE 195

Controlling enclosure or cabinet internal temperature is crucial for the efficiency of the equipments operating inside. In electrical equipments, particularly those operating with electronic signalling, heat and dust directly effect equipment performance. The maximum temperature for equipments supposed to operate at max 30°C should not exceed 26-27°C. In particular, efficiency of CPU operated equipments decrease if not cooled. As a result of this, the equipments fail communicate at the desired speed and efficiency leading to temporary or permanent malfunction. Tracking costs of these malfunctions are known by everyone. There is also another problem in terms of heat and chemicals. External dust sticks on the surface of the CPU or other equipments during cooling. It gradually stratifies and constitutes a layer between the surface and air. This layer blocks cooling regardless of the cooling equipment and causes malfunctions. This is the first impact of the dust. The second impact is chemical and physical. As known, dust acidifies metal particles and accomodates similar bacteria. These cause corrosion on the conductive surface and separation of contacts and conductors. These even decrease conductivity of the material. Another factor that affects the equipments is humidity. As oxidized materials in humidity cause separation in inter-conductor contact, they increase the temperature and decrease the flow.

Here follow a summary of the factors to consider for cooling electrical equipments and maintaining their performance:

- 1-) Heat radiated by the equipment (watt value in terms of total power)
- 2-) Outdoor temperature
- 3-) Dust
- 4-) Outdoor humidity proportion (multiple humidity)

Suitable air-conditioning product can be chosen according to heat radiated by the equipment, enclosure/cabinet size and outdoor temperature factors. Please contact our customer service for your requests.



1

MAX. OUTDOOR TEMP \leq REQUIRED MAX. INDOOR TEMP.
HARMLESS DUST and HUMIDITY DENSITY

METHOD I
(PASSIVE VENTILATION)



METHOD II
(ACTIVE VENTILATION)



Attention : In Method I equipment heat is not high. Filters require maintenance.
 In Method II equipment heat is high. Air volume is required. Filters require maintenance.

2

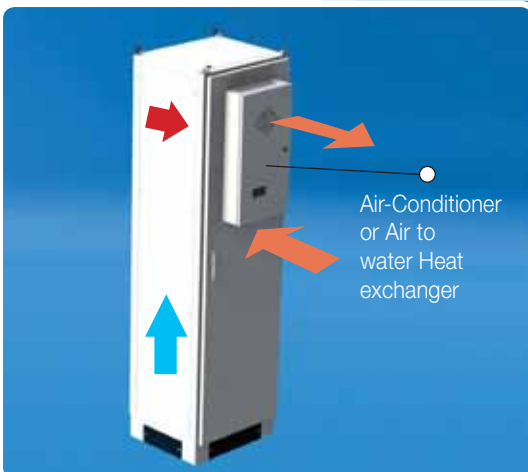
MAX. OUTDOOR TEMP \leq REQUIRED MAX. INDOOR TEMP
HARMFUL DUST and HUMIDITY DENSITY



- ▼ As dense dust and humidity frequently fills the filters, air flow and cooling weakens. The filters require frequent maintenance and this poses a risk.
- ▼ Heat exchangers do not mix indoor air flow and outer air flow. It is dust-resistant and does not require cleaning. There is no risk of failure as they do not have compressing and gas. It is not consume in high level energy

3

MAX. OUTDOOR TEMP \geq REQUIRED MAX. INDOOR TEMP
HARMFUL DUST and HUMIDITY DENSITY



- ▼ High outdoor heat is reduced to the desired level by means of gas and compressing equipment.
- ▼ Indoor cooling (evaporator) and outer cooling (condenser) are separate, and the indoor environment does not catch any dust from outside.
- ▼ The condenser requires cleaning at regular intervals.
- ▼ Cooling is restored by use of air/ water type heater exchanger. No compressor cost, low energy consumption. Outdoor of the compressor does not cause overheating with the condenser.



AIR FILTERS (RAL 7035)

Material : ABS Ral 7035

IP Protection : IP 54

Easy cleaning with drawer filter.

FILTER SIZE	REFERENCE NO
150x150 mm	983.106
250x250 mm	983.107
325x325 mm	983.110



AIR FILTERS (CHROME COLOR)

Material : ABS + metallic coating

IP Protection : IP 54

Easy cleaning with drawer filter.

FILTER SIZE	REFERENCE NO
150x150 mm	983.108
250x250 mm	983.109
325x325 mm	983.111



FAN WITH FILTERS

IP Protection : IP 54

Used Fan : Ebm

- 230V AC Voltage
- It suggests using at the situation which the maximum inside required temperature is higher than or equal maximum outside temperature
- At standard fans fix to eject air. For opposite the fan positions must be changed.



FILTER SIZE	COLOUR	AIR FLOW	FAN POWER	REFERENCE NO
150x150mm	RAL 7035	60m3/saat	19W	983.131
250x250mm	RAL 7035	160m3/saat	45W	983.141
250x250mm	RAL 7035	450m3/saat	64W	983.151
150x150mm	CROME	60m3/saat	19W	983.331
250x250mm	CROME	160m3/saat	45W	983.341
250x250mm	CROME	450m3/saat	64W	983.351



ROOF TYPE VENTILATION FAN

Colour : RAL 7035

IP Protection : IP 54

Used Fan : Ebm

▼ Used in 230V AC.

▼ It ejects the heated air inside of the enclosure coming from vertical angle to horizontal angle. From the reason type of fan which ejects the air with horizontal angle, the counterpressure is at the minimum level. By this way it makes active and economic cooling with less power/ consumption and low fan cost.

▼ It requires sufficient size of air filters for compensation of the enclosure inside pressure between fan force of gravity.

▼ It suggests using at the situation which the maximum inside required temperature is higher than or equal maximum outside temperature

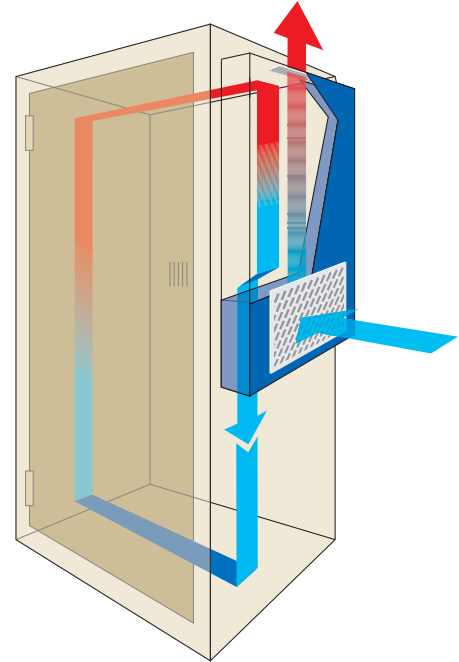
▼ Required max. inside temp. \geq Outside max. temp



FAN FLOW	FAN POWER	REFERENCE NO
560 m ³ /saat	58 W	982.202
970 m ³ /saat	85 W	982.203



WALL-MOUNTED AIR-CONDITIONERS



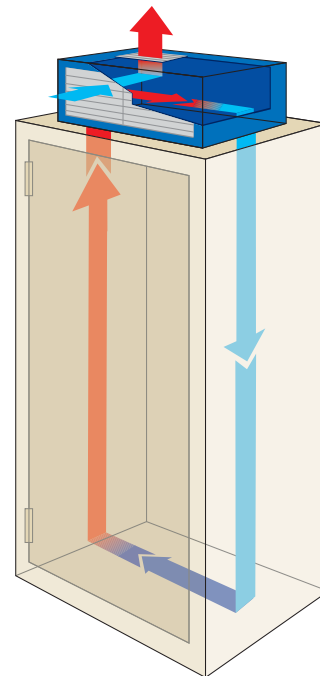
- ▼ 230V products are in stock. Please contact our customer service for 115V or 400V product demands.
- ▼ Please contact our customer service for your UL version product demands.
- ▼ Please see page 232-233 for technical drawings.

AIR CONDITIONER SIZES mm

COOLING CAPACITY(W)	POWER SUPPLY V-ph-Hz	WIDTH	HEIGHT	DEPTH	FAN FLOW (m³/h)	POWER CONSUMPTION(W)	WEIGHT Kg	REFERENCE NO
500	230-1-50/60	308	634	221	290	324	23	EVE04 0022 07000
1050	230-1-50/60	406	934	244	575	506	42	EVE11 0022 07000
1400	230-1-50/60	406	934	244	575	939	42	EVE14 0022 07000
2000	230-1-50/60	406	934	244	860	1200	44	EVE20 0022 07000
2700	230-1-50/60	508	1234	375	860	1392	86	EVE28 0022 07000



TOP MOUNTED AIR-CONDITIONERS



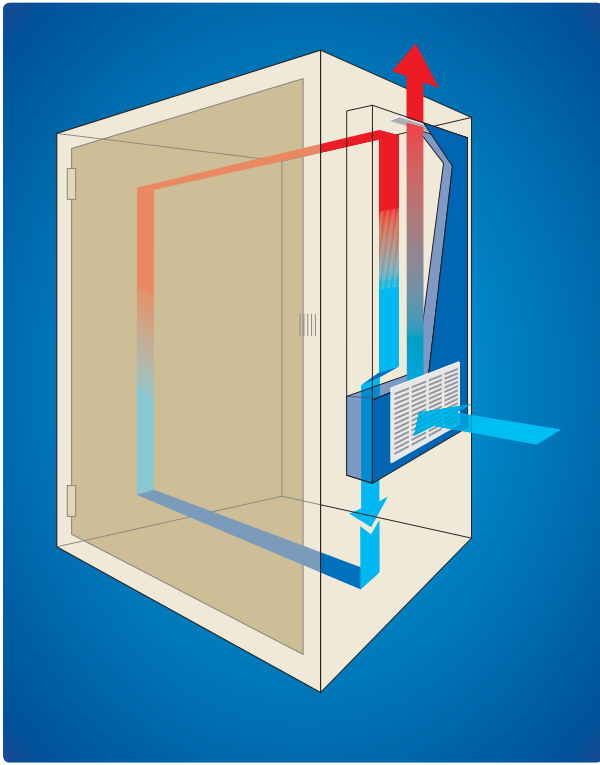
- ▼ 230V products are in stock. Please contact our customer service for 115V or 400V product demands.
- ▼ Please contact our customer service for your UL version product demands.
- ▼ Please see page 234 for technical drawings.

AIR CONDITIONER SIZES mm

COOLING CAPACITY(W)	POWER SUPPLY V-ph-Hz	WIDTH	HEIGHT	DEPTH	FAN FLOW (m ³ /h)	POWER CONSUMPTION(W)	WEIGHT Kg	REFERENCE NO
2000	230-1-50/60	600	450	400	860	1200	51.5	ETE20 0022 07000
3800	230-1-50/60	800	480	450	1450	2000	76.5	ETE41 0022 07000



WALL-MOUNTED OUTDOOR AIR-CONDITIONERS



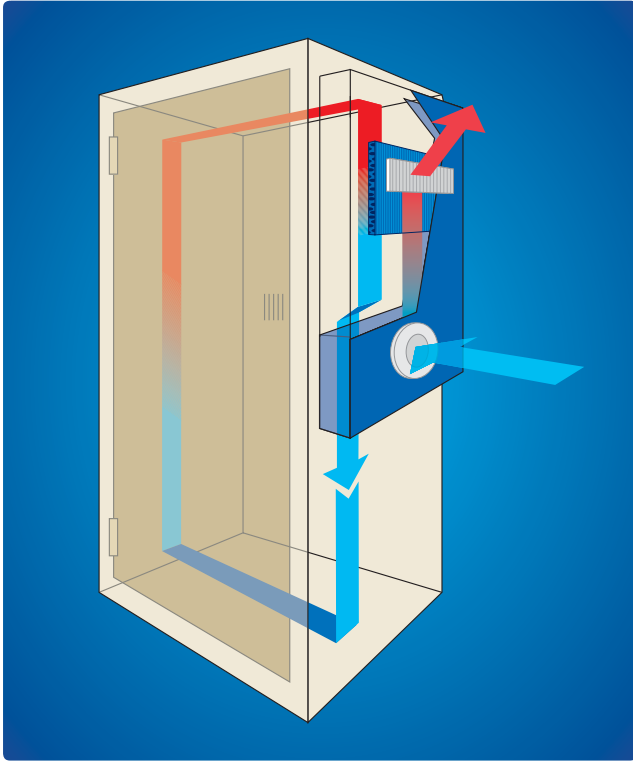
▼ 230V products are in stock. Please contact our customer service for 115V or 400V product demands.

▼ Please see page 235-236 for technical drawings.

COOLING CAPACITY(W)	POWER SUPPLY V-ph-Hz	AIR CONDITIONER SIZES mm			FAN FLOW (m ³ /h)	POWER CONSUMPTION(W)	WEIGHT Kg	REFERENCE NO
		WIDTH	HEIGHT	DEPTH				
850	230-1-50/60	308	634	221	330	415	26	EVO0700 220
1400	230-1-50/60	409	934	244	757	939	42	EVO1400 220
2000	230-1-50/60	409	934	244	860	1150	44	EVO2000 220
4000	230-1-50/60	508	1234	375	1450	1780	81	EVO4100 220



AIR / AIR HEAT EXCHANGERS (INDOOR)

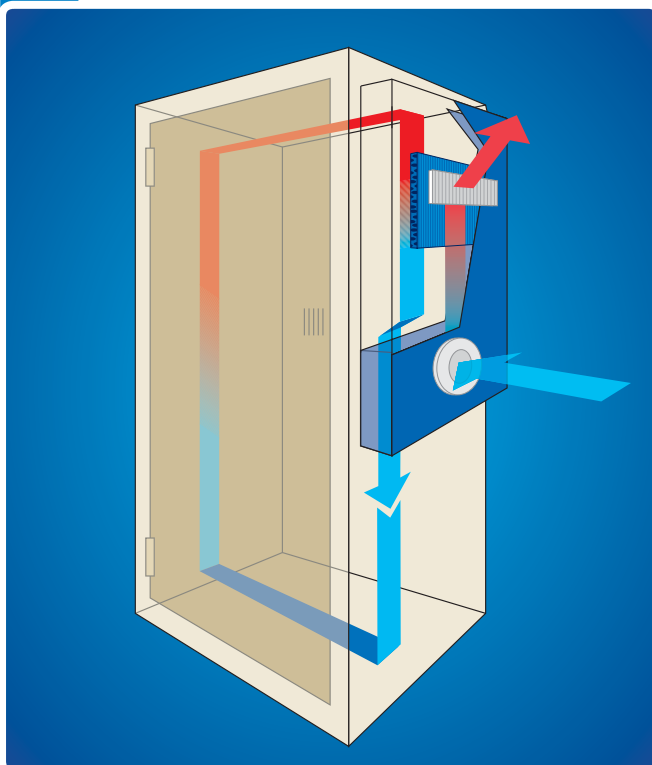


▼ Please see page 238-239 for technical drawings.

AIR CONDITIONER SIZES mm

SPECIFIC HEAT TRANSMISSION(W/K)	POWER SUPPLY V-ph-Hz	WIDTH	HEIGHT	DEPTH	FAN FLOW (m ³ /h)	POWER CONSUMPTION(W)	WEIGHT Kg	REFERENCE NO
35	230-1-50/60	252	780	86	575	160	7.5	XVA35 00 320
80	230-1-50/60	311	1250	106	860	170	20	XVA80 00 320

AIR / AIR HEAT EXCHANGERS (OUTDOOR)

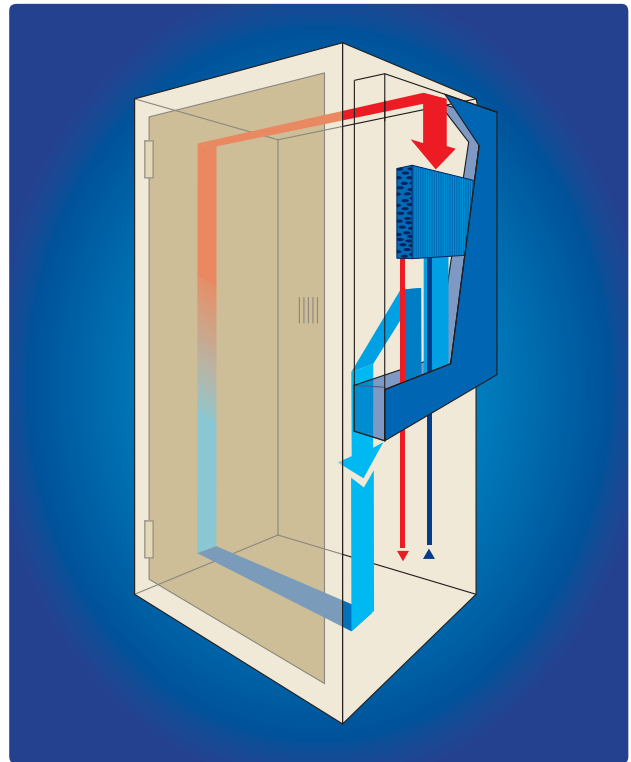


▼ Please see page 240-241 for technical drawings.

AIR CONDITIONER SIZES mm

SPECIFIC HEAT TRANSMISSION(W/K)	POWER SUPPLY V-ph-Hz	WIDTH	HEIGHT	DEPTH	FAN FLOW (m3/h)	POWER CONSUMPTION(W)	WEIGHT Kg	REFERENCE NO
60	230-1-50/60	365	1090	110	860	230	16	XVH60 00 3201 000
100	230-1-50/60	485	1260	152	1350	490	28	XVHA0 00 3201 000
160	230-1-50/60	600	1260	152	1350	980	41	XVHA5 00 3201 000

AIR / WATER HEAT EXCHANGERS (INDOOR)



▼ Please see page 237 for technical drawings.

AIR CONDITIONER SIZES mm								
COOLING CAPACITY(W)	POWER SUPPLY V-ph-Hz	WIDTH	HEIGHT	DEPTH	FAN FLOW (m ³ /h)	POWER CONSUMPTION(W)	WEIGHT Kg	REFERENCE NO
2200	230-1-50/60	400	925	205	330	575	20	EXW15 00 220
6700	230-1-50/60	501	1101	300	1450	215	39	EXW50 00 220
17500	230-1-50/60	800	2000	600	2365	170	90	EXWA5 00 220
25000	230-1-50/60	800	2000	600	4730	340	95	EXWB0 00 220



ENCLOSURE HEATERS

Heater device : PTC semi-conductive

Heating body : Eloxal aluminium profile

Body temperature : 75-130 °C

Protection category : IP 20

Combination : with two 0,75- 1,50m² screw terminal.

▼ 110-230 V AC/DC

▼ In line with the CE norms.

▼ Mounting on 35mm DIN rail with a clip-on.

POWER (W)	BODY HEAT	HEATER SIZE mm				REFERENCE NO
		WIDTH	HEIGHT	DEPTH		
20	85	82	65	42	984.100	
30	85	82	75	42	984.200	
50	85	82	85	42	984.300	
75	125	82	105	42	984.400	
100	125	82	120	42	984.500	
125	125	82	150	42	984.600	
150	125	82	190	42	984.700	



ENCLOSURE HEATERS WITH FAN

Heater device : PTC semi-conductive

Heating body : Eloxal aluminium profile

Body temperature : 120 °C

Protection category : IP 20

Combination : with 2,5mm² screw terminal.

▼ 110-230 V AC/DC

▼ In line with the CE norms.

▼ Mounting on 35mm DIN rail with a clip-on.

POWER (W)	BODY HEAT	HEATER SIZE mm				REFERENCE NO
		WIDTH	HEIGHT	DEPTH		
300-600	120	82	180	110	984.101	



FAN THERMOSTATE

Sensor device : Bimetallic thermostate

Protection category : IP20

Reference no : **983.011** (1 pc)

- ▼ In line with the CE norms.
- ▼ Mounting on 35mm DIN rail.
- ▼ 0,75 - 1,50 mm² combination
- ▼ Normally opened switch (NO)
- ▼ 110-230 V AC/DC 10A



HEATER THERMOSTATE

Sensor device : Bimetallic thermostate

Protection category : IP20

Reference no : **983.012** (1 pc)

- ▼ In line with the CE norms.
- ▼ Mounting on 35mm DIN rail.
- ▼ 0,75 - 1,50 mm² combination
- ▼ Normally closed switch (NC)
- ▼ 110-230 V AC/DC 10A



HYGROSTAT

Sensor device : Bimetallic thermostate

Protection category : IP20

Reference no : **983.013** (1 pc)

- ▼ In line with the CE norms.
- ▼ Mounting on 35mm DIN rail.
- ▼ 2,5mm² combination.
- ▼ Both open and closed switch (NO/NC)
- ▼ For simultaneous cooling and heating applications.
- ▼ 110-230 V AC/DC



- AFEM, TEKPAN automatic fire extinguishing system can be used in electrical switchboards, power factor compensation panels, MCC enclosures, automation panels, transformer and generator rooms, electrical control and command rooms, IT system rooms, IT server cabins, telecommunications panels to intervene in a fire as fast as possible. This system does not produce and spread any dangerous gasses, so does not have any damage on ecology and human health. Also, this system does not need any electrical feed while extinguishing fire. In addition, AFEM does not need any maintenance operation during its 7 years lifetime.



AFEM (TEKPAN AUTOMATIC FIRE EXTINGUISHING SYSTEM) PROPERTIES

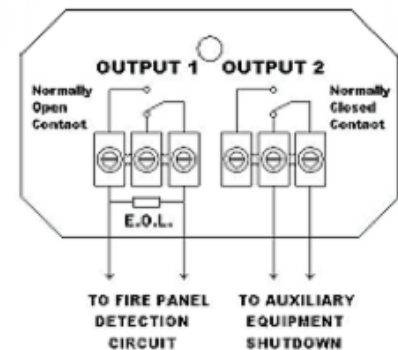
1. Intervene in a fire automatically and locally as fast as possible
2. The ability of working without any electrical supply from outside
3. You will be able to take fire alarm signal to other electrical equipments and systems
4. It does not give any damage inside the room or electrical equipments inside the panels
5. It does not need any maintenance operation during its 7 years lifetime
6. It is easy to use and to fix inside the electrical enclosures and panels
7. Does not harm human health and the environment

AFEM (TEKPAN AUTOMATIC FIRE EXTINGUISHING SYSTEM) SELECTION TABLE

EXPLANATIONS	AFEM MODELS AND PROPERTIES								
	AFEM Z3	AFEM Z6	AFEM 1	AFEM 2	AFEM 5	AFEM 10	AFEM 20	AFEM 30E	AFEM 50E
Mass of generator (g)	360	650	940	1,7	3,1	9	11,5	22	26,5
Mass of aerosol-generating compound (g)	30	60	100	200	500	1	2	3	5
Max protected volume (m ³)	0.3	0.6	1	2	5	10	20	30	50
Nozzle outlet	Mono	Mono	Mono	Mono	Mono	Mono/Radial	Mono	Mono	Mono
Length of generator (mm)	101	121	122	200	215	200	254	310	353
Diameter of generator (mm)	38	51	64	76.2	89	220	220	265	265
Discharge time (s)	≈20.0	≈25.0	≈30.0	≈30.0	≈30.0	≈30.0	≈30.0	≈35.0	≈35.0

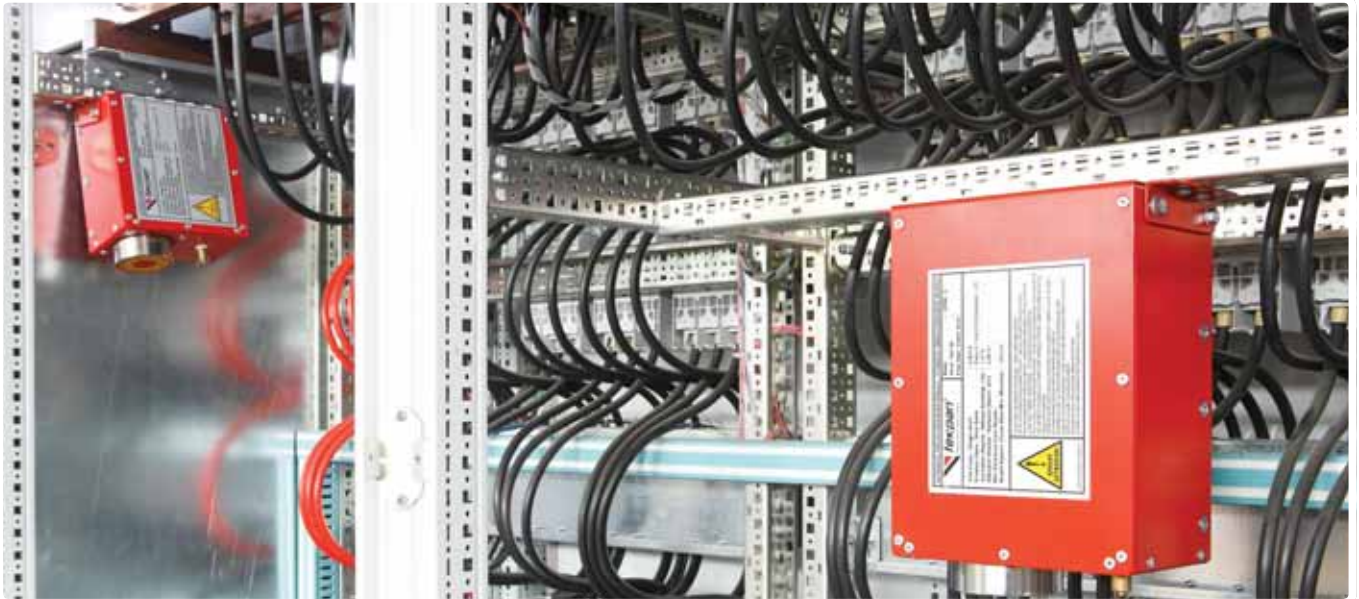
AFEM THERMAL DETECTION AND ACTIVATION SYSTEM TECHNICAL SPECIFICATIONS

Activation Temperature	
It will activate at +110°C	Tolerance ±5°C
Current Limits That Can Pass From Its Contacts	
24 VDC feeding	1A
110VAC (cosφ=1) feeding	0,5A

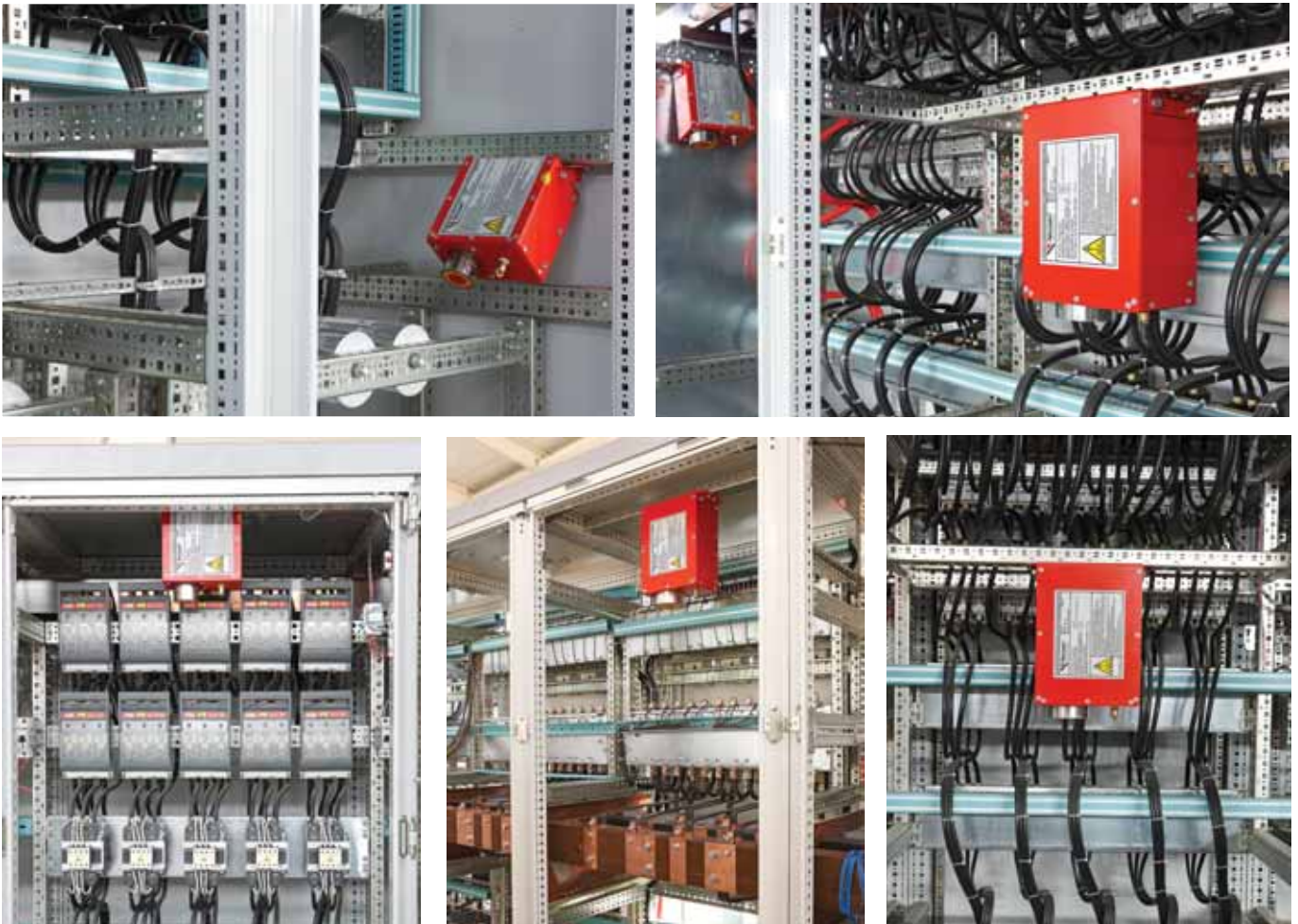


İç Ortam Sıcaklığı °C	Temp. Increase Rate 30°C/min		Temp. Increase Rate 3°C/min	
	Maximum Time Delay, s	Minimum Time Delay, s	Maximum Time Delay, s	Minimum Time Delay, s
70	137	125	950	937

AFEM (TEKPAN AUTOMATIC FIRE EXTINGUISHING SYSTEM) MOUNTAGE



AFEM 10-50 SOME APPLICATION EXAMPLES



AFEM (TEKPAN AUTOMATIC FIRE EXTINGUISHING SYSTEM) TECHNICAL SPECIFICATIONS

Using Areas	: Class A Combustible Solids Class B Flammable Liquid Class C Flammable Gases Class E Electrically Energised Fire
Service Time	: Shelf life is 7 years (used as active) For one-time use in case of fire
Delivery Properties	: Classification Code : 4.1 UN. No. : 3178 Packing Group : III Hazchem Code : 1 [T]
Igniter Resistance	: 2.0 – 4.0 Ohm
Min. All Fire Current	: 1.2A @ 12ms A
Min. Activation Voltage	: 3.6V
Alarm Contact Currents	: 1A @24VDC or 0,5A @110VAC(cos ϕ =1)
Using Instruction	: After a fire, this product cannot be used for a second time, It must be replace with a new one.
Changing period	: If the product is not used for 7 years, you need to change AFEM with a new one. And, you do not need to make any Maintenance for 7 years.
Drawings	: See page 242, 243



- ▼ You should pay attention to AFEM the selection table according to the maximum protection volume at the 2nd page of this document, while choosing AFEM modules.

The dimensions of a protected area shall not exceed:

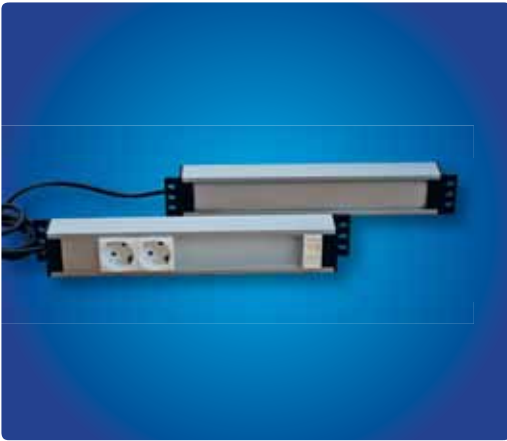
Height - 3.0 m x Width - 2.4 m x Length - 2.5 m

- ▼ The device should be located in the middle of the protected area at 100-150 mm below the ceiling.
- ▼ The device is capable of sustaining vibration from 0.5 to 200 Hertz with acceleration of 4g.
- ▼ The device is capable of sustaining impacts of up to 4g-force of 2 to 50 milliseconds duration.
- ▼ The device is suitable for application in hazardous areas of 2ExellT6 category.
- ▼ Maximum relative humidity – 98% (no condensation).
- ▼ One circuit shall have not more than 10 devices.
- ▼ The length of the cable between two devices in a loop shall not exceed 3 meters.
- ▼ The devices shall be connected in parallel. Normal polarity of “+” to “+” shall be observed.
- ▼ The device can be used in high density electromagnetic and high frequency energy zones.
- ▼ Activation cables shall be fire-resistant with copper conductors. A cross-section area of each conductor should not be less than 1 mm² or 0.5 mm² for a multiple core cable.
- ▼ If run through a high frequency energy zone, such as a two-way radio, a sonar etc, the cable should be screened.
- ▼ If run through the electric magnetic fields of high density, such as high voltage transformers in power substations or cable tunnels, the cable should be enclosed in a steel conduit.
- ▼ Cable screen and steel conduit shall be grounded in accordance with the standard requirements.
- ▼ If there is a likelihood of any mechanical damage the cable should be enclosed into a plastic or metal conduit.
- ▼ The device is incapable of generating the electric impulses at levels dangerous for humans or animals.
- ▼ The connecting of the cable to the fire suppression units shall always be the last wiring procedure.

AFEM, Tekpan Automatic Fire Extinguishing System, is an extra protection equipment against fire danger. All other safety precautions against fire, that are mentioned in occupational health and safety law, must be determined by the user. TEKPAN is not responsible for any material and moral damages that may occur due to fire.







LED LIGHT ENCLOSURE LAMP (SCREWED/TYPE)

- ▼ 230V AC 6W
- ▼ 2 pcs of socked plugs+switch cable

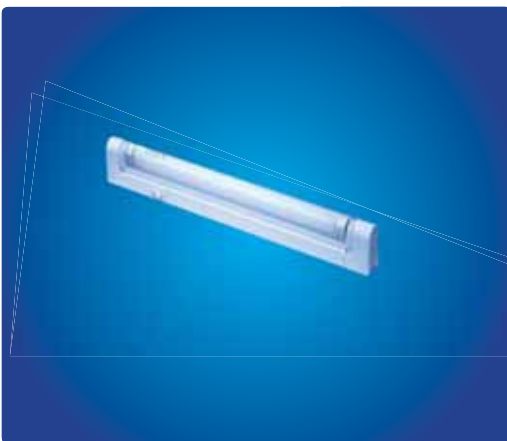
Reference number : 901.110



LED LIGHT ENCLOSURE LIGHT (MAGNETIC/TYPE)

- ▼ 230V AC 6W
- ▼ 2 pcs of socked plugs+switch cable

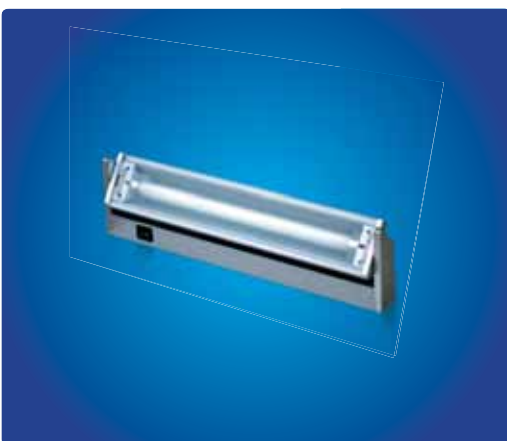
Reference number : 901.120



FLAT ENCLOSURE LAMP

- ▼ 230V AC 8W

Reference number : 901.100



ANGULAR ENCLOSURE LAMP

- ▼ 230V AC 8W

Reference number : 901.104



DOOR LAMP SWITCH

▼ 230V, 3A, IP65 protection

▼ Without cable

Reference number: **902.110** (1 pc)

! **Required** : Can only be used in Teos series enclosures.
switch bracket is needed for the switch mounting.
Please see page 100



DOOR LAMP SWITCH (MINI SWITCH)

▼ 230V

▼ Without cable

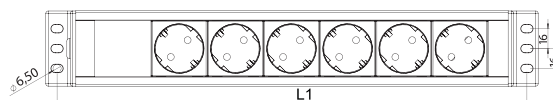
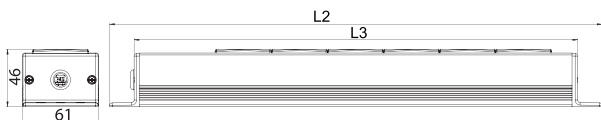
Reference number : **902.100** (1 pc)



GROUP POWER SOCKETS (STANDARD)

- ▼ The sockets fixes into aluminium inlet
- ▼ 230V AC, 10/16A
- ▼ Earthed socket constructs
- ▼ 2 meter 3x1,5 TTR cable and plug
- ▼ Place contact with our customer service as to you special requirements

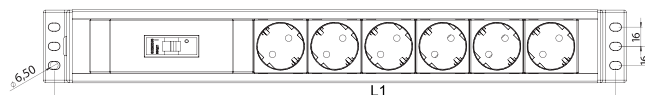
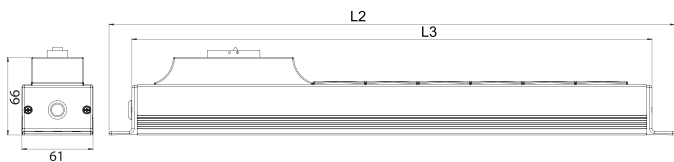
Output Socket Qty.	SocketType	19" Compatibility	L1(mm)	L2(mm)	L3(mm)	Reference No
6	Network		375	393	354	990.200
7	Network		420	438	399	990.201
8	Network	***	465	483	444	990.202
9	Network		510	528	489	990.203
6	UPS		375	393	354	990.204
7	UPS		420	438	399	990.205
8	UPS	***	465	483	444	990.206
9	UPS		510	528	489	990.207



GROUP POWER SOCKETS (WITH FUSE)

- ▼ The sockets fixes into aluminium inlet
- ▼ 230V AC, 10/16 A
- ▼ 16 A Fuse
- ▼ Earthed socket constructs
- ▼ 2 meter 3x1,5 TTR cable and plug
- ▼ Place contact with our customer service as to you special requirements

Output Socket Qty.	SocketType	19" Compatibility	L1(mm)	L2(mm)	L3(mm)	ReferenceNo
6	Network	***	465	483	444	990.208
7	Network		510	528	489	990.209
8	Network		555	573	534	990.210
9	Network		600	618	579	990.211
6	UPS	***	465	483	444	990.212
7	UPS		510	528	489	990.213
8	UPS		555	573	534	990.214
9	UPS		600	618	579	990.215

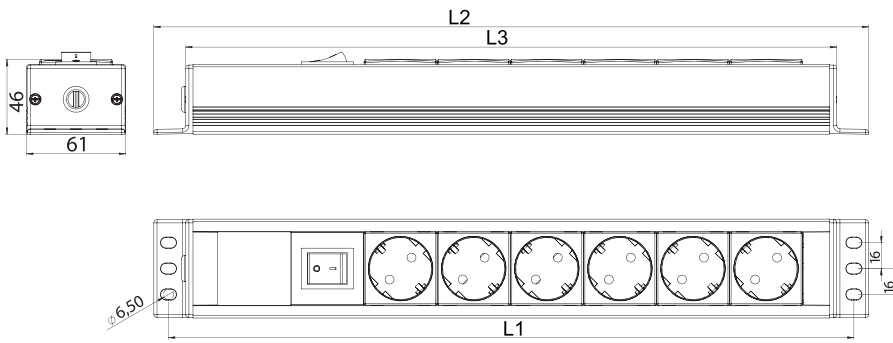




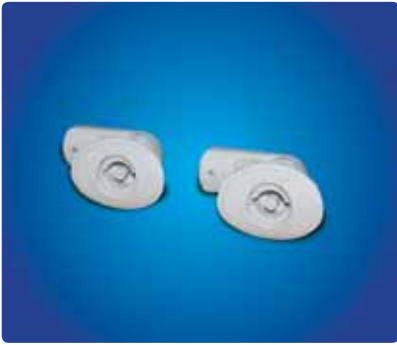
GROUP POWER SOCKETS (WITH SWICH)

- ▼ The sockets fixes into aluminium inlet
- ▼ 230V AC 10/16A
- ▼ ON/OFF switch
- ▼ Earthed socket constructes
- ▼ 2 meter 3x1,5 TTR cable and plug
- ▼ Place contact with our customer service as to you special requirements

Output Socket Qty.	Socket Type	19" Compatibility	L1(mm)	L2(mm)	L3(mm)	ReferenceNo
6	Network		420	438	399	990.216
7	Network	***	465	483	444	990.217
8	Network		510	528	489	990.218
9	Network		555	573	534	990.219
6	UPS		420	438	399	990.220
7	UPS	***	465	483	444	990.221
8	UPS		510	528	489	990.222
9	UPS		555	573	534	990.223



LOCK ACCESSORIES



PLASTIC HANDLE LOCK

- ▼ Double-bit is standard.
- ▼ For Ares series enclosures

Reference number : 951.104 (1 pc)



SPRING LOCK

- ▼ Double-bit is standard.
- ▼ For Dm series enclosures.

Reference number: 951.100 (1 pc)



MINI HANDLED LOCK

Reference number : 951.102 (1 pc)



METAL SPRING LOCK

- ▼ Made from zamak, double-bit insert.

Reference number : 951.200 (1 pc)



HANDLE LOCK

- ▼ Made from zamak

Reference number : 951.205 (1 pc)



SWING HANDLE LOCK (RAL 7035)

- ▼ Locking from 3 points together with roddings.
- ▼ Can be used in all series except encrypted Teos.
- ▼ Standard as a switch type.

Material : Zamak + Ral 7035 coating

Reference No : 950.200 (1 pc)

⚠ Required : Roddings proportional to the enclosure size.



SWING HANDLE LOCK (NACRE PLATED)

- ▼ Locking from 3 points together with roddings.
- ▼ Can be used in all series except Teos

Material : Zamak + nacre plated

Reference No : Double-bit insert : 950.100
Triangle insert : 950.101



SWING HANDLE LOCK (ENCRYPTED)

- ▼ Locking from four points together with the sheet bars.
- ▼ Can only be used in Teos series.

Material : Plastic body, Zamak+RAL 7012 coated handle.

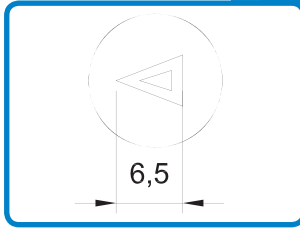
Reference No : 950.104



SWING HANDLE LOCK (DIFFERENT INSERT)

Reference No :

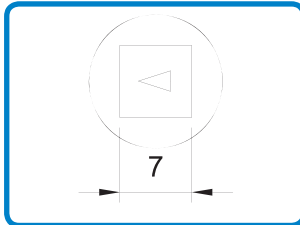
Double-bit insert	: 950.105
6,50 mm triangle insert	: 950.106
7,00 mm square insert	: 950.107



INSERTS

▼ Plastic handle lock, spring lock and metal spring lock

Reference No : 6,50 mm triangle insert : **951.211** (1 pc)
 7 mm square insert : **951.212** (1 pc)



KEYS

Reference No : Double-bit plastic : **952.100**
 Double-bit metal : **952.101**
 6,50 mm triangle insert : **952.200** (1 pc)
 7 mm square insert : **952.201** (1 pc)



KEYS (ENCRYPTED)

Reference No : 5333 For DM, DT, HC, RC, PC : **952.300** (1 pc)
 4444 For Teos series : **952.301** (1 pc)



TERMINAL / MCB RAIL

Material : 1,00 mm mild steel + zinc-plating.

Reference No : H 7,50 mm : **990.102** (2 m)
 H 15,00 mm : **990.100** (2 m)



MCB BLANK PANEL

Material : ABS Plastic

▶ 175 mm length, 12 parts

Reference No : **990.101** (1 pc)



KNITTED EARTHING CABLE

Malzeme : Copper + Tin-plating

Reference No : (DM) M5 screw-perforation 163 mm : **991.200** (10 pcs)
 (Ares DT) M5 screw-perforation 260 mm : **991.201** (10 pcs)
 (Teos) M8 screw-perforation 260 mm : **991.202** (5 pcs)



UNIT COMBINATION GASKET

Material : Polyethylene 10x3mm

Reference No : **992.100** (1 pocket / 5,60 m)

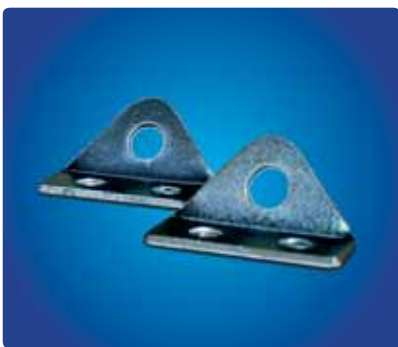


WALL BRACKET

Material : 2,50 mm mild steel + zinc-plating.

Supply includes : 4 pcs wall bracket, combination screws

Reference No : 971.100



COMBINATION ANGLE

Material : 4.00 mm mild steel + zinc-plating.

Supply includes : 2 pcs support angle
▼ Only for DT series.

Reference No : 970.300



CASTOR SET 50 mm and 80 mm

Supply includes : 2 pcs castor with brakes, 2 pcs castor without brakes, all of them are rotating

Reference No : 50 mm **995.501**
80 mm **995.502**



PLASTIC PLAN POCKET

Material : ABS RAL 7035

Reference No : A4 Size : **994.400**
B5 Size : **994.500**



SPRAY RETOUCH PAINT RAL 7035

Reference No : **996.200** (1 pc)



STAINLESS STEEL MAINTENANCE SPRAY

Reference No : **996.400**



M5x10 SELF TAPPING

▼ Self tapping screw can top 4.500mm holes

Reference No : **993.105** (100 pcs)



M5x15 HEXAGON SELF TAPPING SCREW

▼ Self tapping screw can top 4.500mm holes

Reference No : **993.107** (100 pcs)



SELF-DRILLING SCREW

▼ Self-drilling steel screw

Reference No : **993.106** (100 pcs)



M6 CAGE NUT

▼ Nut used for mounting rear sheet steel in size 8,50 X 8,50 mm – 9,50 mm square perforations.

Reference No : **994.160** (100 pcs)



M6 HIDE NUT

▼ Used for mounting the support rails and mounting rails on the enclosure. Mounted on the closed and open profiles from the front surface, 9,50x9,50 mm square perforations.

Reference No : **994.170** (100 pcs)



M6 SCREW NUT SET

▼ Screw set used for mounting 19" equipments on the profile with cage nut and M6x 15 screw.

Supply includes : 100 pcs M6 cage nut, 100 pcs plastic washer ring, 100 pcs M6X 15 screw

Reference No : 993.420



M6 STOPPER SCREW

▼ Used on rear and side panels of Teos series. Self-stopping structure and prevents panel overtightening.

Reference No : 993.322 (16 pcs)

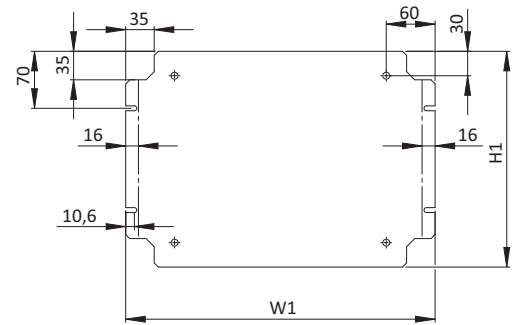
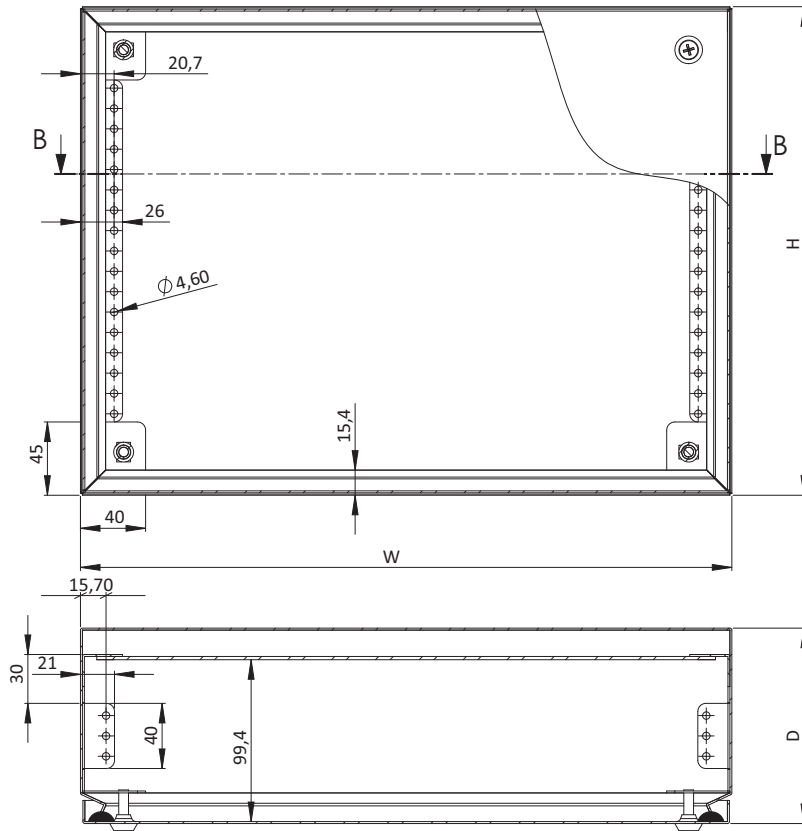


M12 x 30 SCREW and WASHER SET

▼ It is used in enclosure bay and fitting on plinth

Supply includes : 4 pcs screw and washer

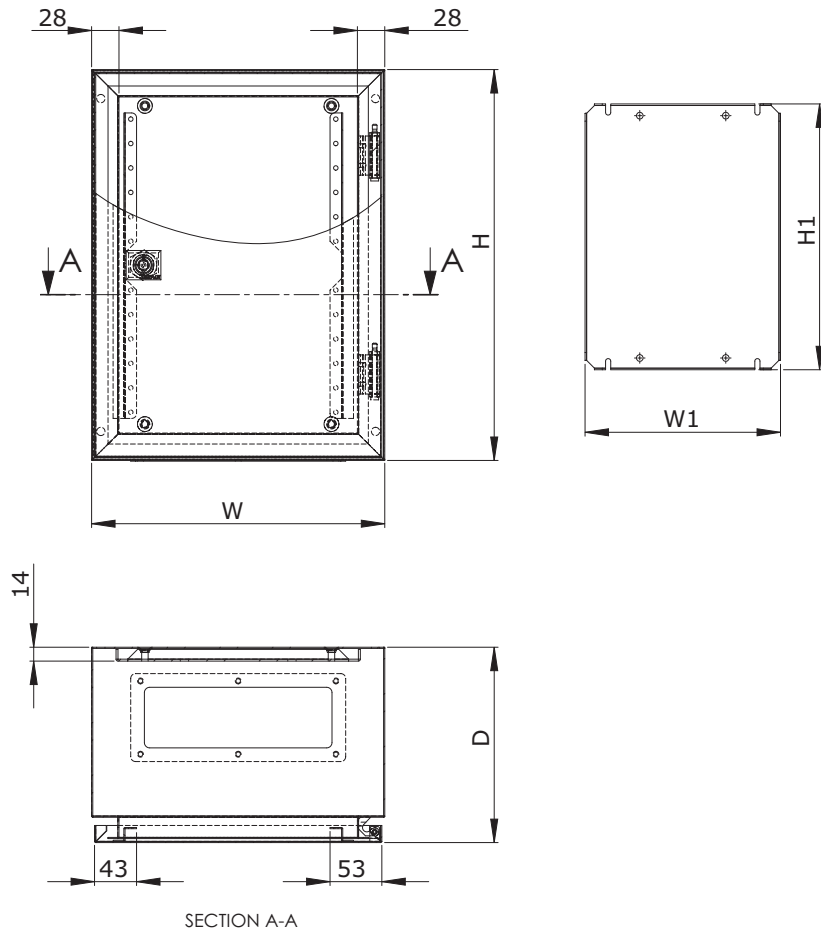
Reference No : 993.108 (4 set)



ENCLOSURE WIDTH	W	W1
200	200	180
300	300	280
400	400	380
500	500	480
600	600	580

ENCLOSURE DEPTH	D
120	120
120	120
120	120
120	120
120	120

ENCLOSURE HEIGHT	H	H1
200	200	165
300	300	265
400	400	365

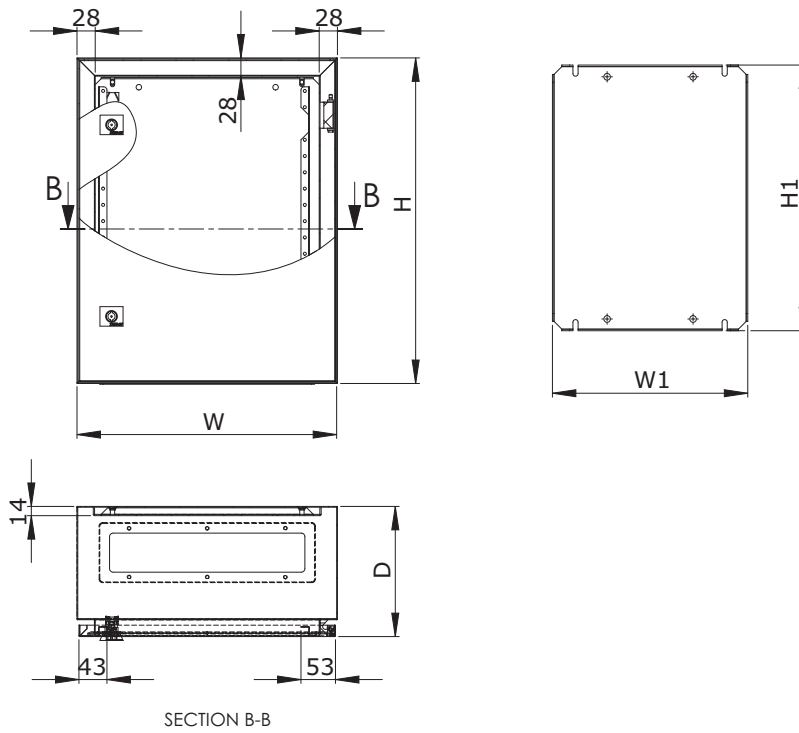


SECTION A-A

ENCLOSURE WIDTH	W	W1
200	200	150
300	300	250
400	400	350
500	500	450
600	600	550
800	800	750
1000	1000	950

ENCLOSURE DEPTH	D
150	150
200	200
280	280

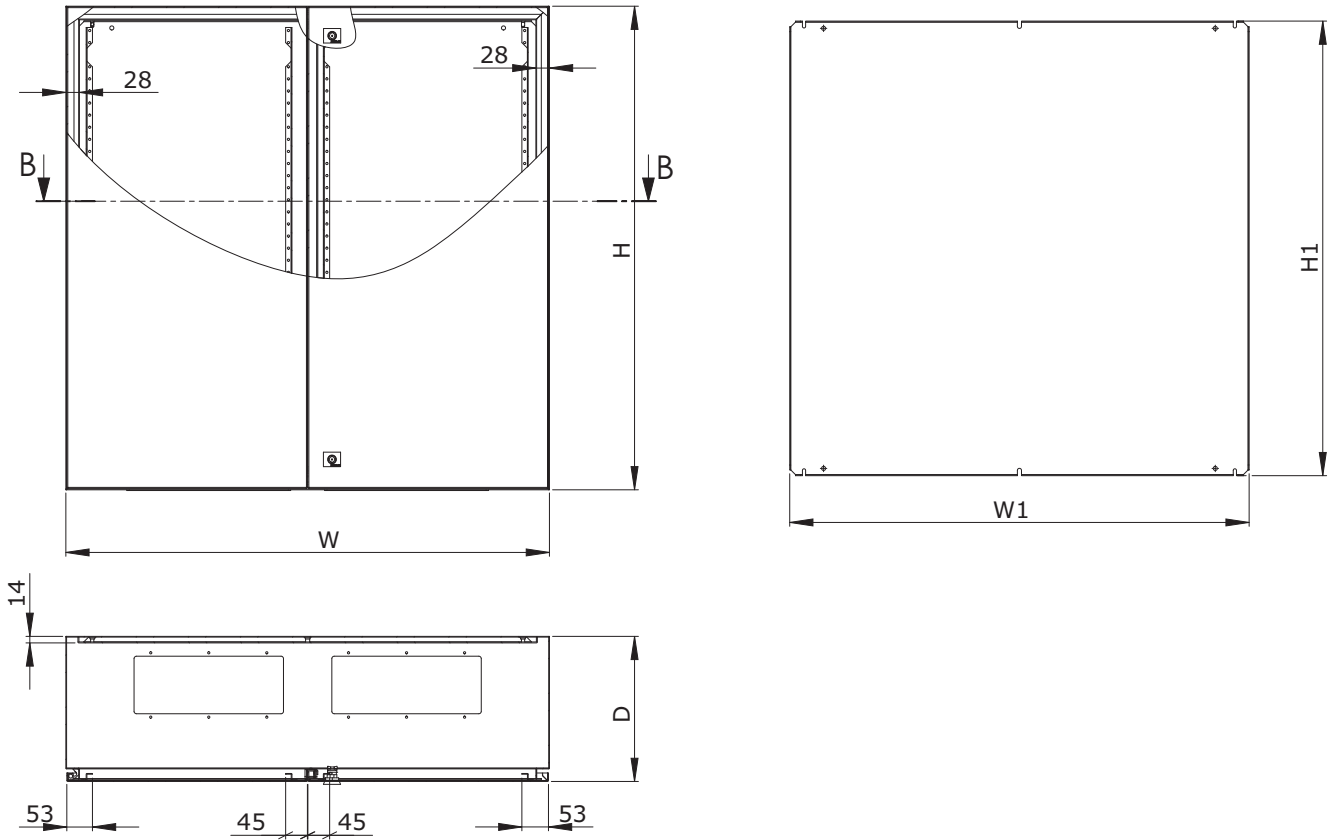
ENCLOSURE HEIGHT	H	H1
300	300	240
400	400	340
500	500	440
600	600	540
800	800	640
1000	1000	740



ENCLOSURE WIDTH	W	W1
200	200	150
300	300	250
400	400	350
500	500	450
600	600	550
800	800	750
1000	1000	950

ENCLOSURE DEPTH	D
150	150
200	200
280	280

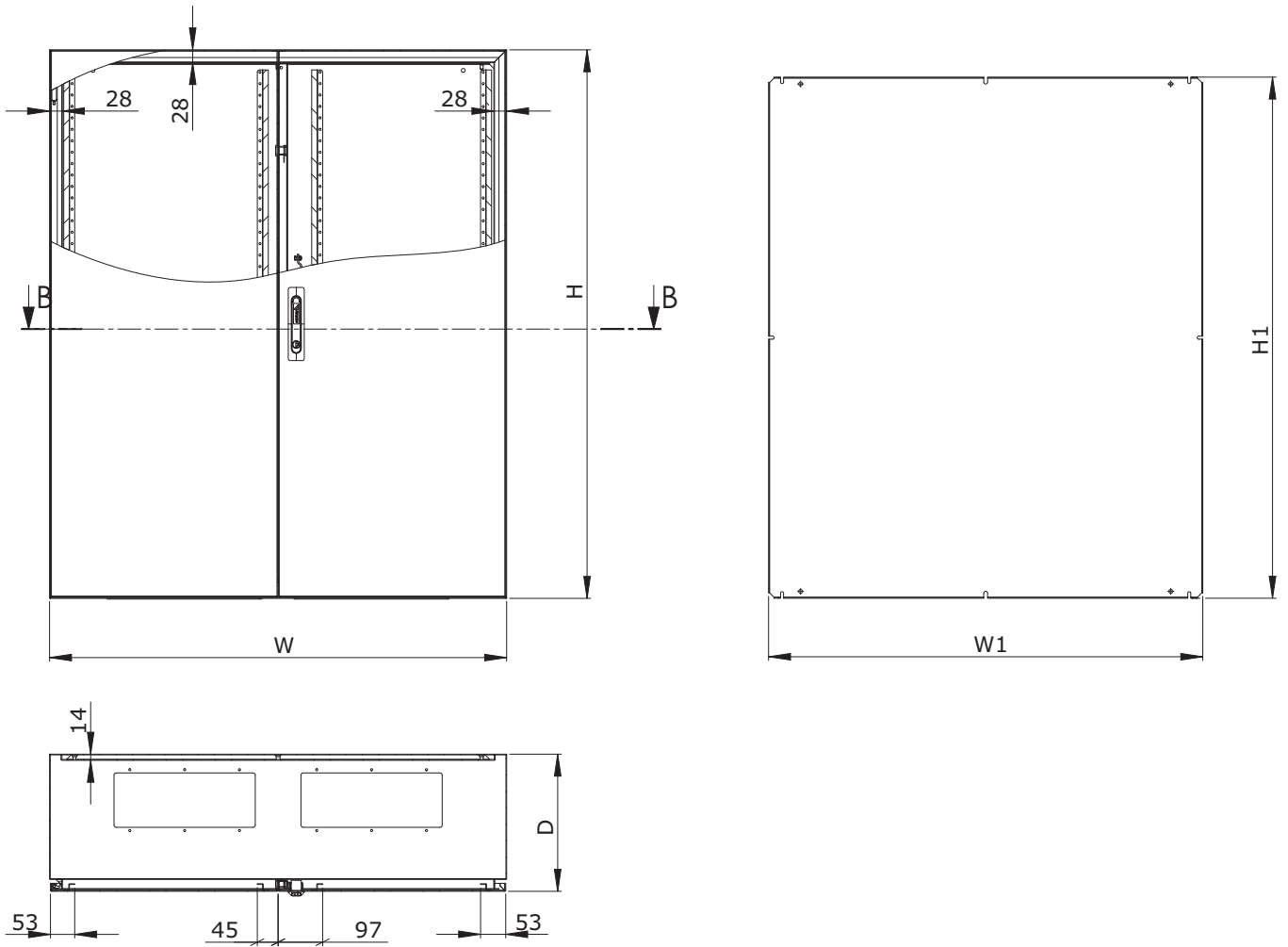
ENCLOSURE HEIGHT	H	H1
300	300	240
400	400	340
500	500	440
600	600	540
800	800	640
1000	1000	740



ENCLOSURE WIDTH	W	W1
200	200	150
300	300	250
400	400	350
500	500	450
600	600	550
800	800	750
1000	1000	950

ENCLOSURE DEPTH	D
150	150
200	200
280	280

ENCLOSURE HEIGHT	H	H1
300	300	240
400	400	340
500	500	440
600	600	540
800	800	640
1000	1000	740

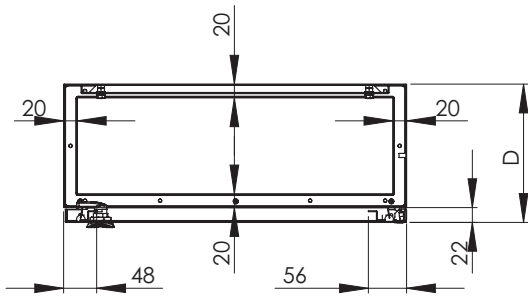
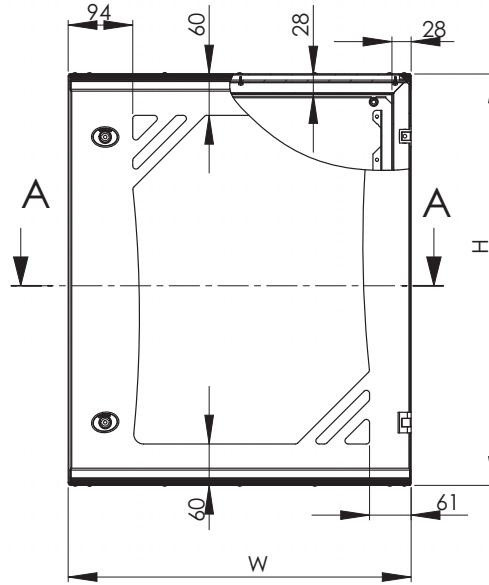
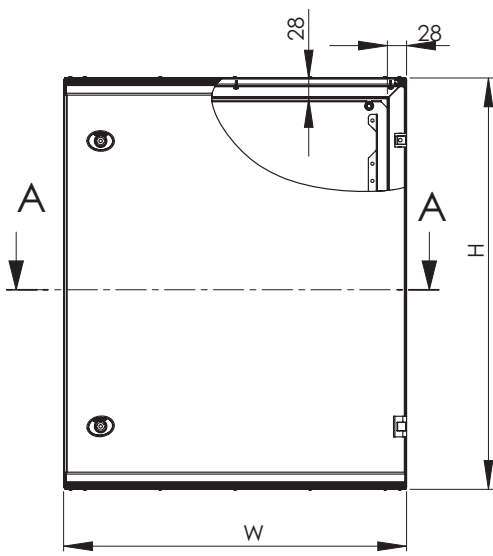


ENCLOSURE WIDTH	W	W1
200	200	150
300	300	250
400	400	350
500	500	450
600	600	550
800	800	750
1000	1000	950

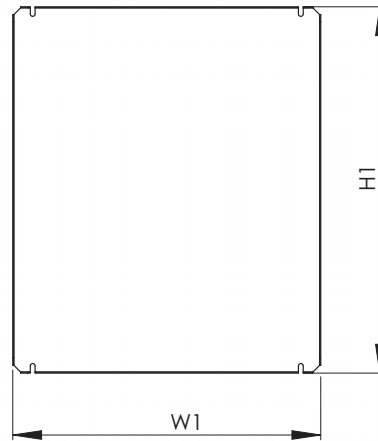
ENCLOSURE DEPTH	D
150	150
200	200
280	280

ENCLOSURE HEIGHT	H	H1
300	300	240
400	400	340
500	500	440
600	600	540
800	800	640
1000	1000	740

ARES SERIES



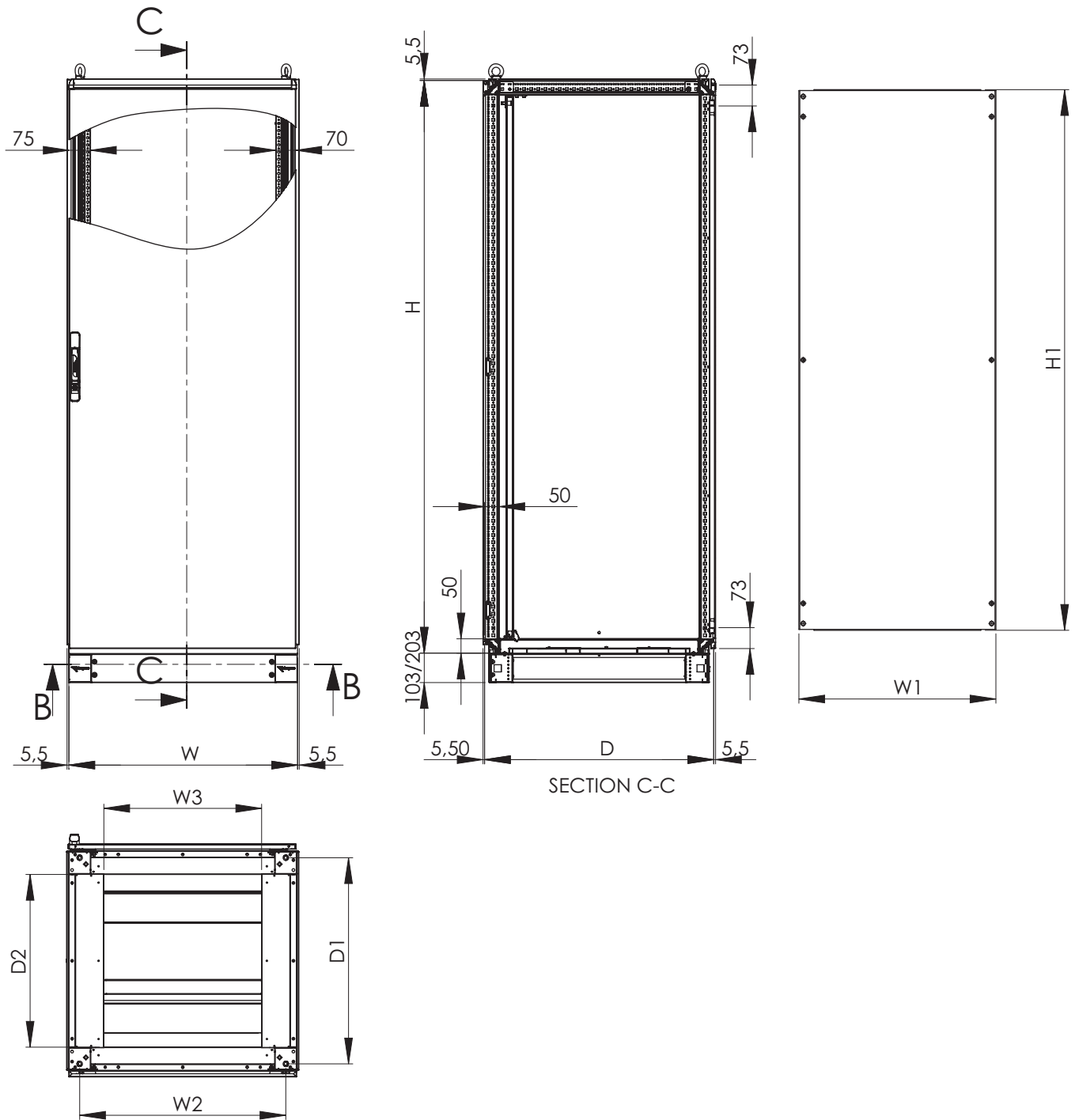
SECTION A-A



ENCLOSURE WIDTH	W	W1
300	300	249
400	400	349
500	500	449
600	600	549
800	800	749

ENCLOSURE DEPTH	D
150	150
200	200
280	280

ENCLOSURE HEIGHT	H	H1
400	400	334
500	500	434
600	600	534
700	700	634
800	800	734
1000	1000	934
1150	1150	1084



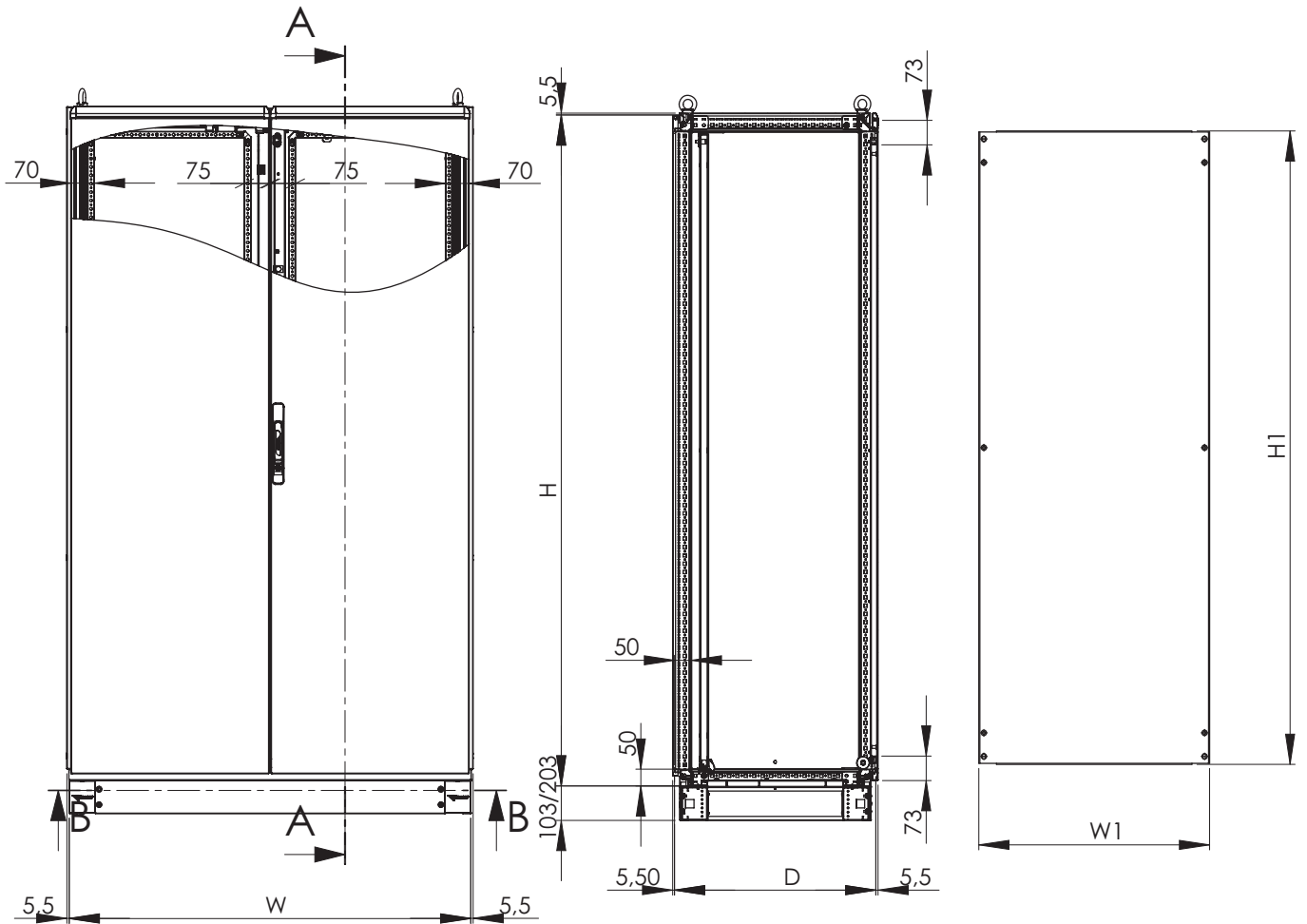
SECTION B-B

SECTION C-C

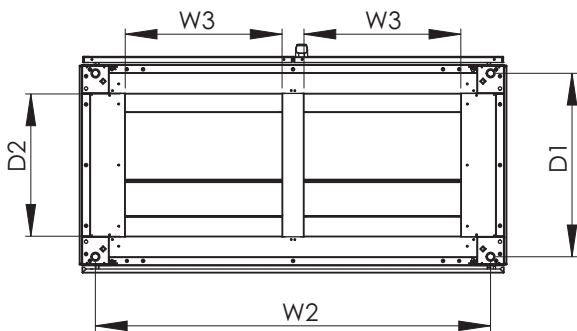
ENCLOSURE WIDTH	W	W1	W2	W3
400	400	-	320	151
500	500	388	420	251
600	600	488	520	351
700	700	588	620	451
800	800	688	720	551
1000	1000	888	920	444,5x2
1200	1200	1088	1120	544,5x2

ENCLOSURE DEPTH	D	D1	D2
400	400	320	203
500	500	420	303
600	600	520	403
700	700	620	503
800	800	720	603

ENCLOSURE HEIGHT	H	H1
1200	1200	1088
1600	1600	1488
1800	1800	1688
2000	2000	1888
2200	2200	2088



SECTION A-A



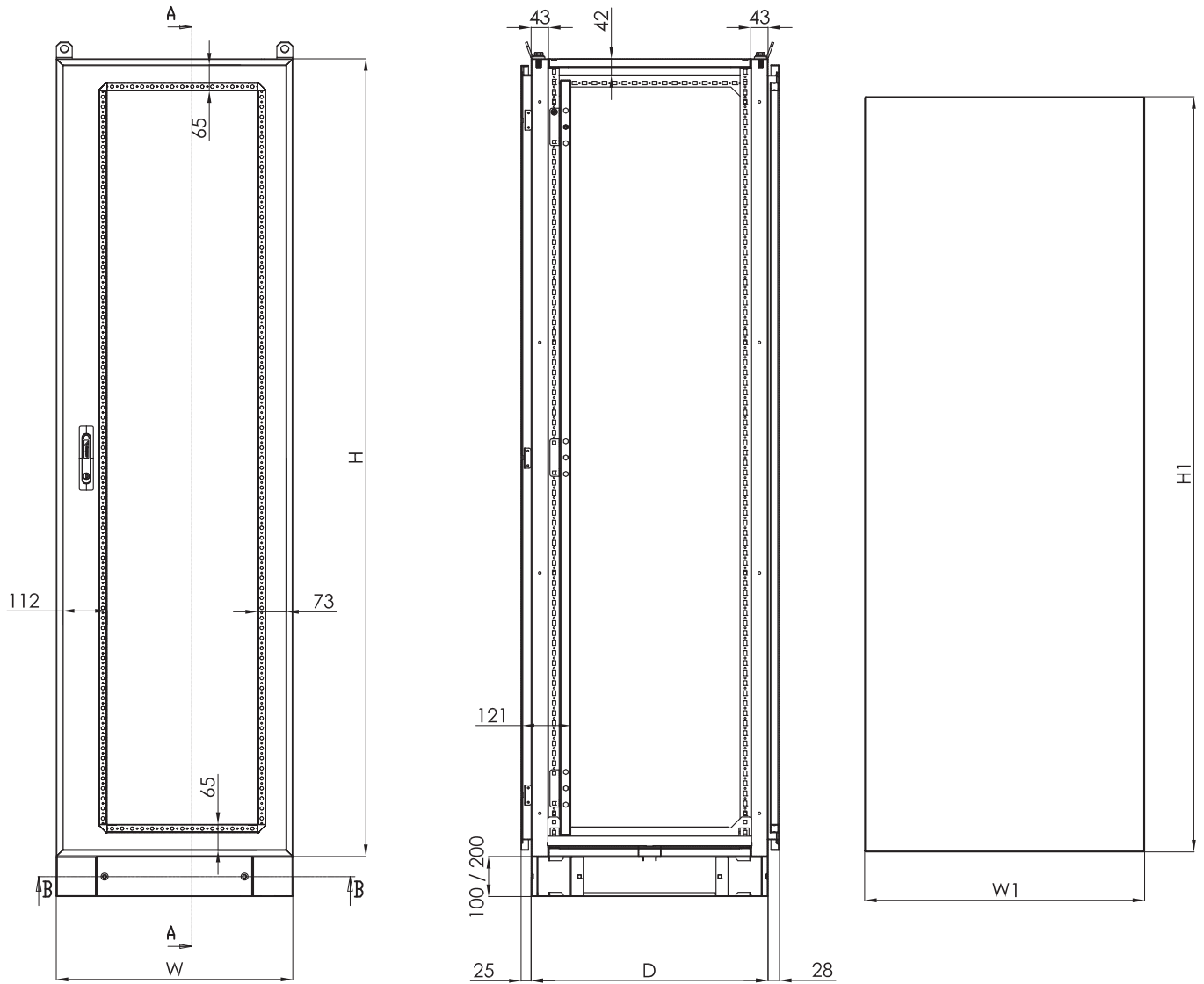
SECTION B-B

ENCLOSURE WIDTH	W	W1	W2	W3
400	400	-	320	151
500	500	388	420	251
600	600	488	520	351
700	700	588	620	451
800	800	688	720	551
1000	1000	888	920	444,5x2
1200	1200	1088	1120	544,5x2

ENCLOSURE DEPTH	D	D1	D2
400	400	320	203
500	500	420	303
600	600	520	403
700	700	620	503
800	800	720	603

ENCLOSURE HEIGHT	H	H1
1200	1200	1088
1600	1600	1488
1800	1800	1688
2000	2000	1888
2200	2200	2088

DT SERIES



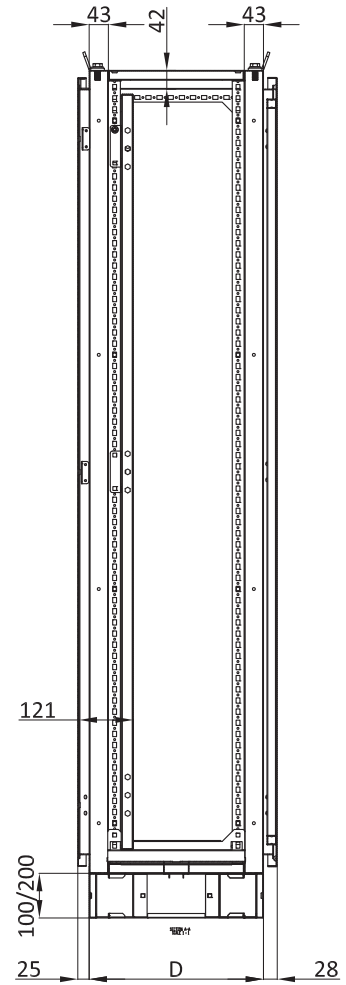
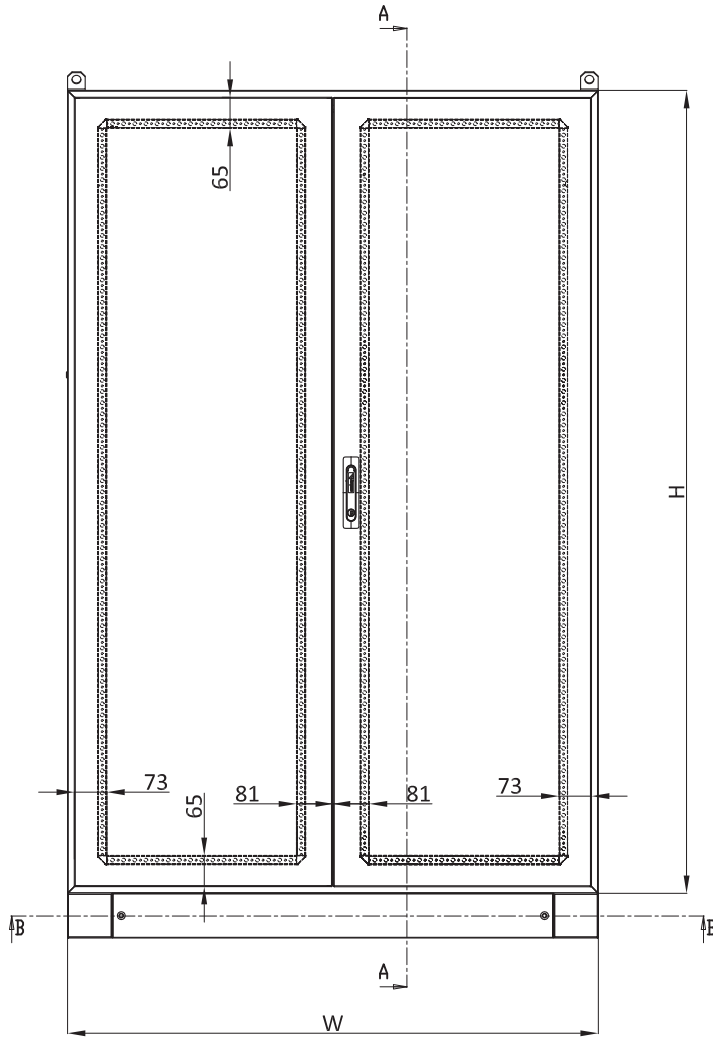
SECTION A-A

SECTION B-B

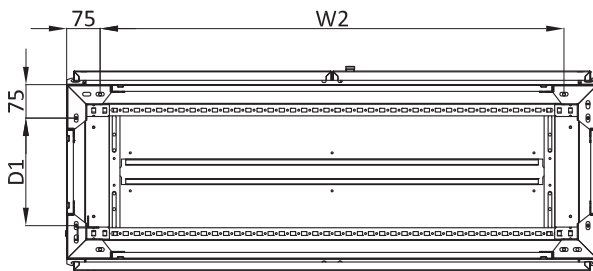
ENCLOSURE WIDTH	W	W1	W2
500	490	388	340
600	590	480	440
800	800	698	650
1000	990	888	840
1200	1190	1088	1040

ENCLOSURE DEPTH	D	D1
400	390	240
500	490	340
600	590	440
800	790	640

ENCLOSURE HEIGHT	H	H1
1200	1190	1084
1600	1600	1494
1800	1800	1694
2000	1990	1884
2200	2200	2094



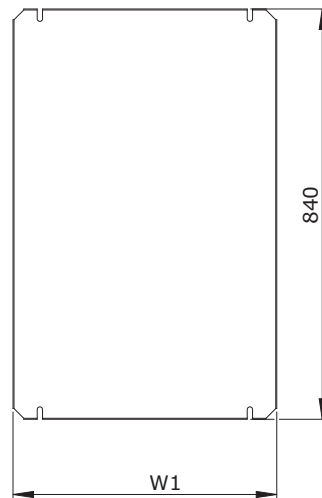
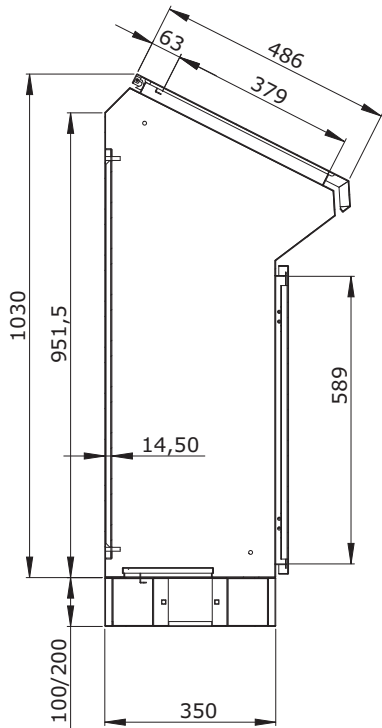
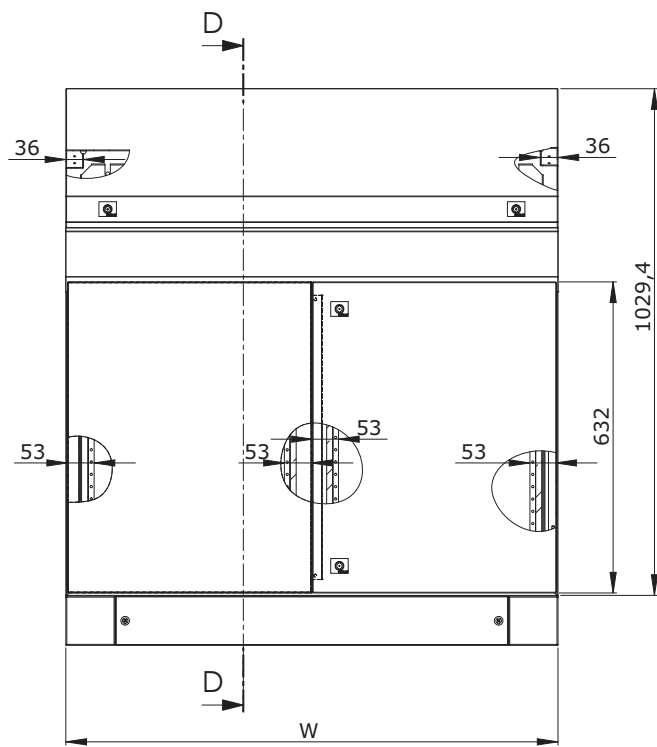
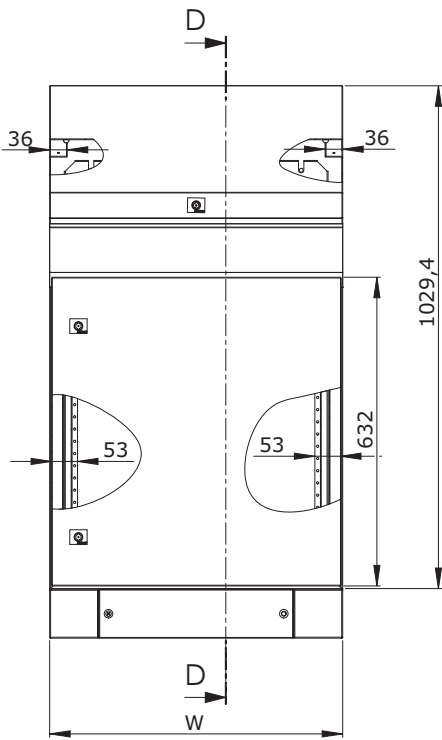
SECTION A-A



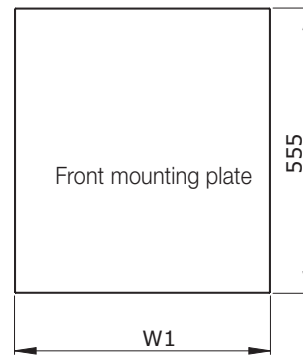
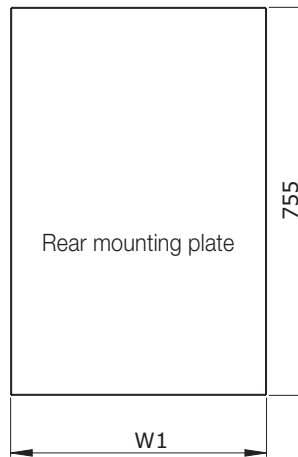
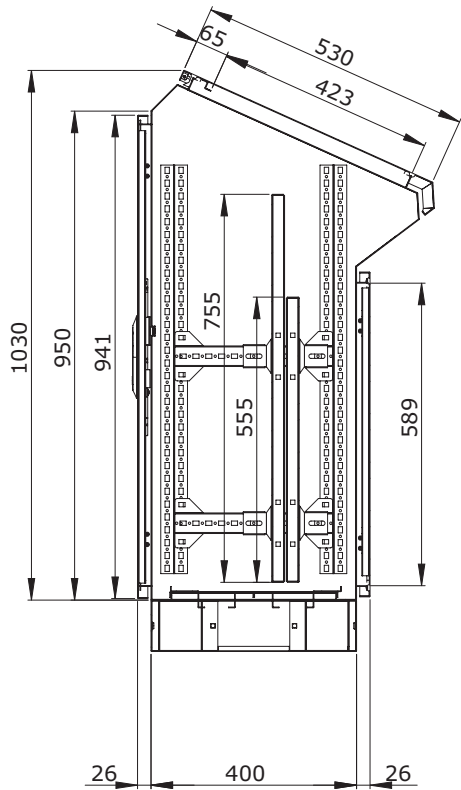
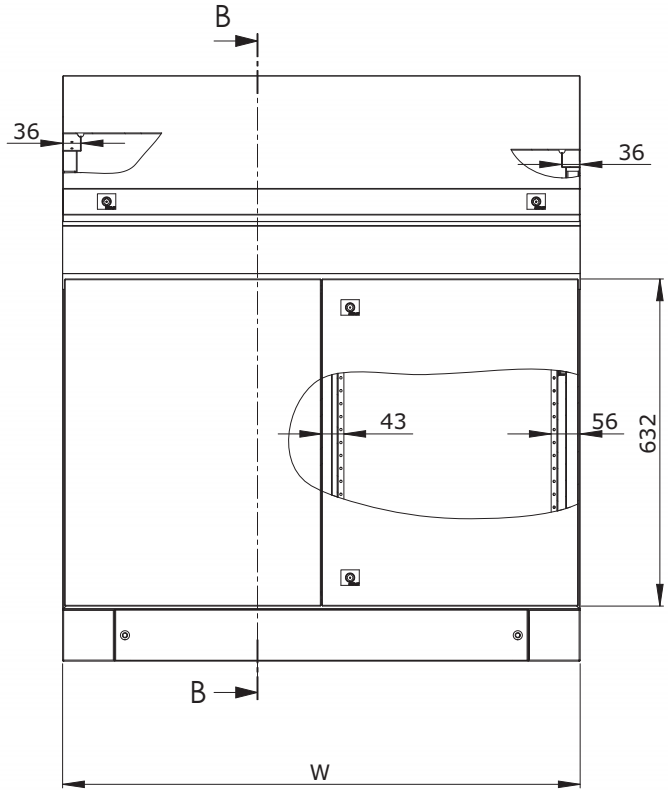
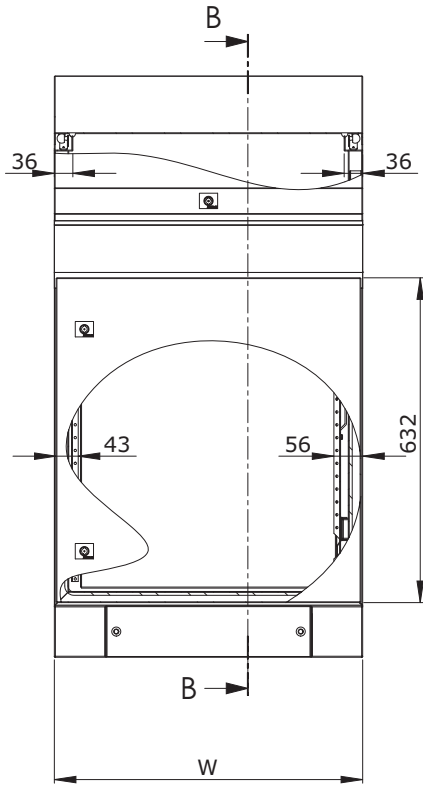
ENCLOSURE WIDTH	W	W1	W2
500	490	388	340
600	590	480	440
800	800	698	650
1000	990	888	840
1200	1190	1088	1040

ENCLOSURE DEPTH	D	D1
400	390	240
500	490	340
600	590	440
800	790	640

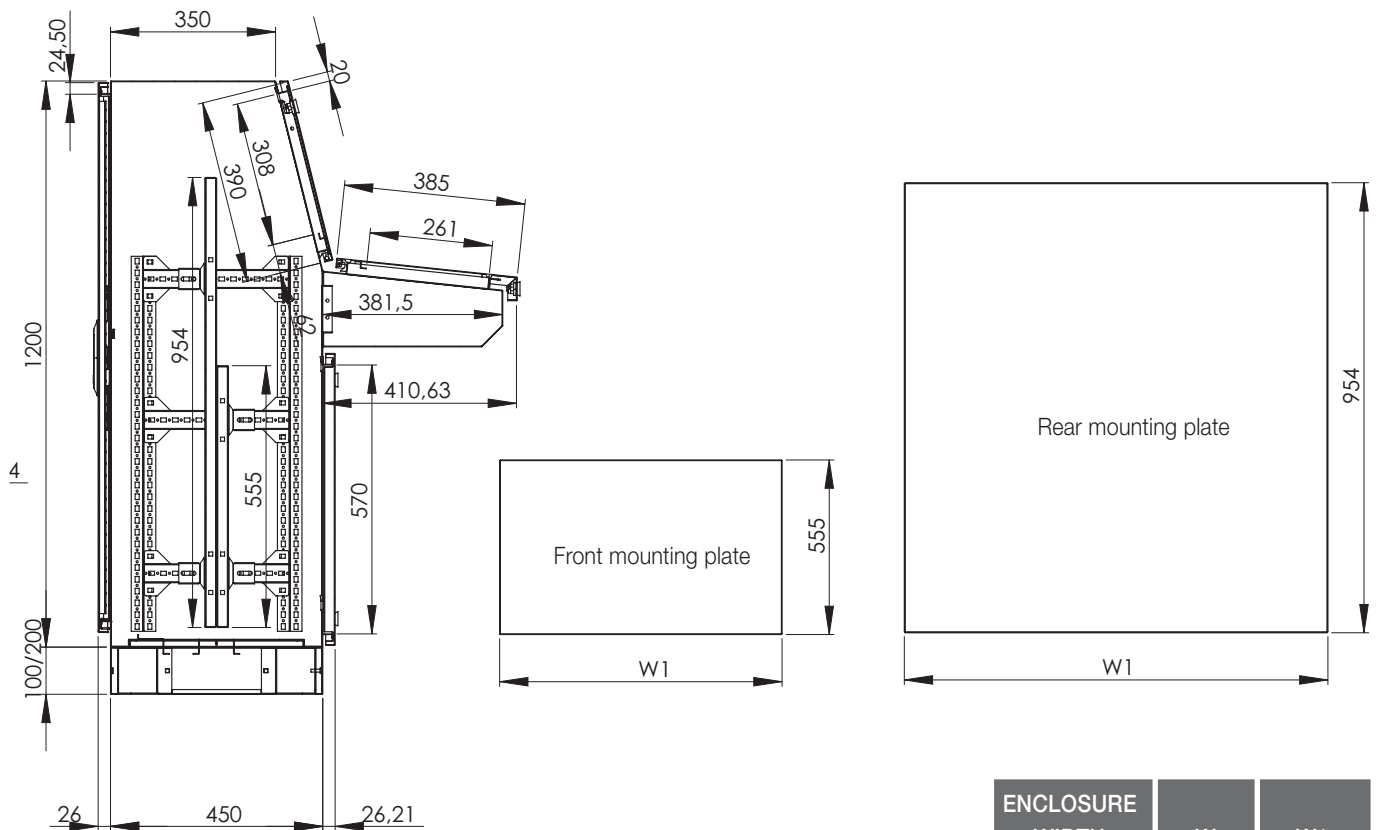
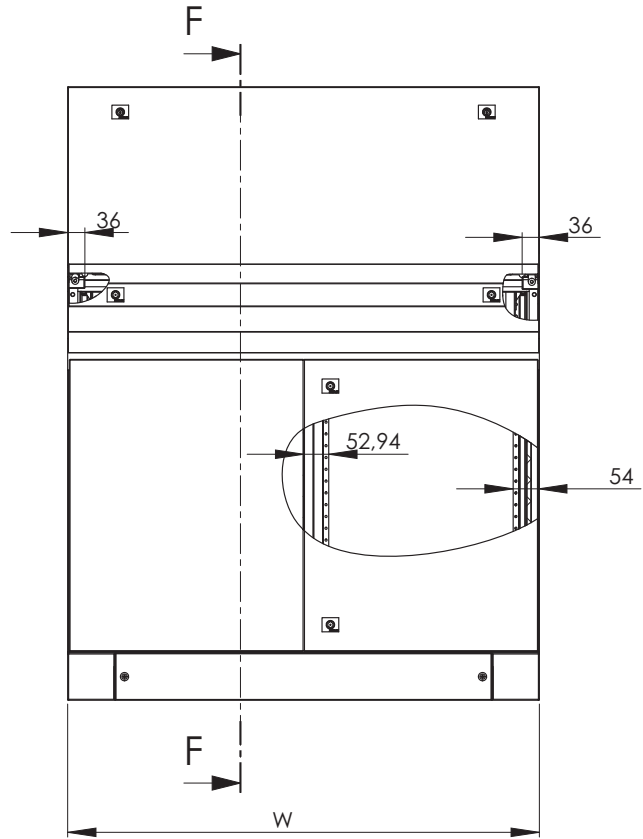
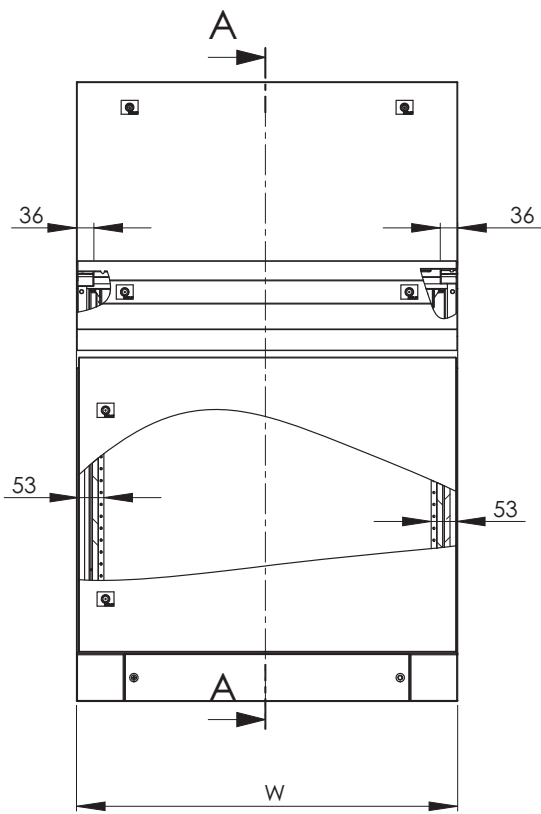
ENCLOSURE HEIGHT	H	H1
1200	1190	1084
1600	1600	1494
1800	1800	1694
2000	1990	1884
2200	2200	2094



ENCLOSURE WIDTH	W	W1
600	600	540
800	800	740
1000	1000	940
1200	1200	1140

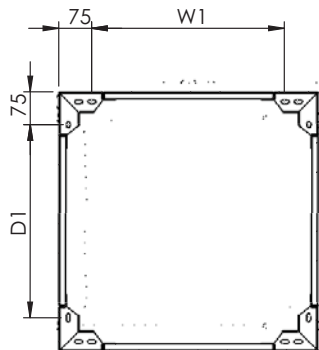
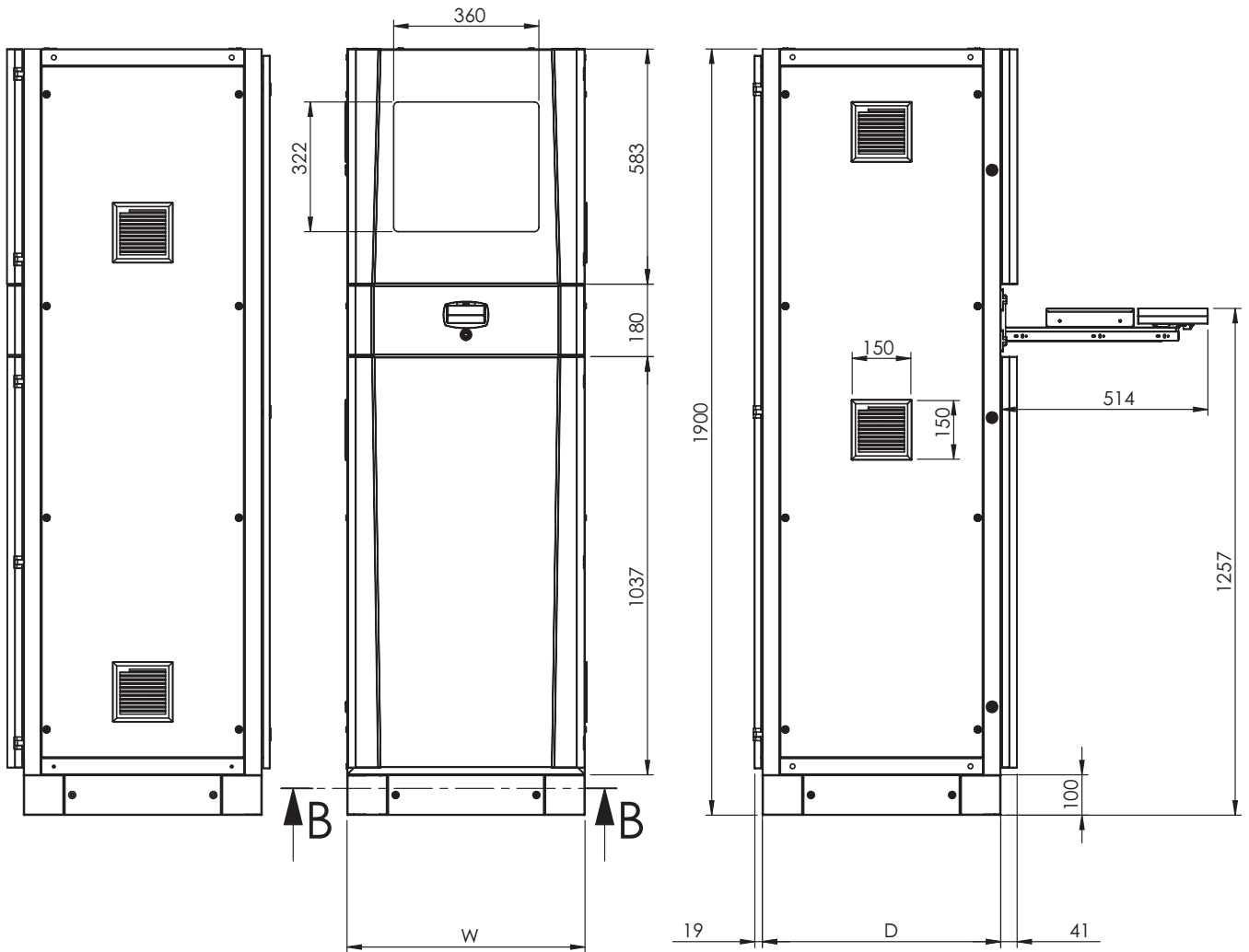


ENCLOSURE WIDTH	W	W1
600	600	498
800	800	698
1000	1000	898
1200	1200	1098



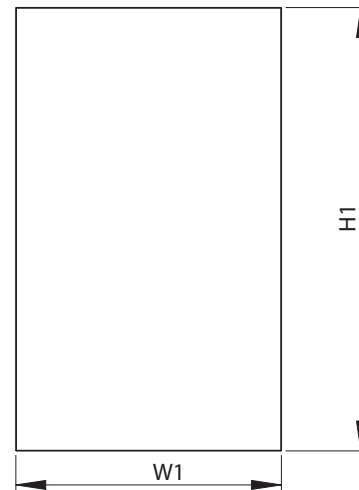
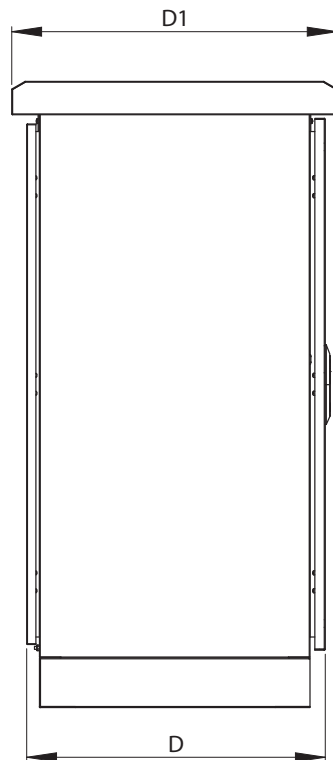
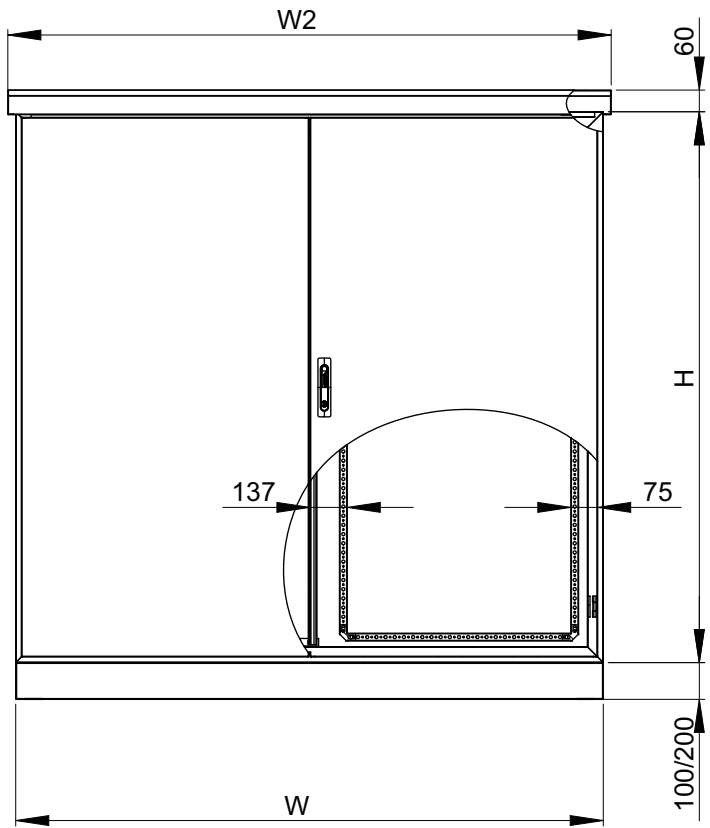
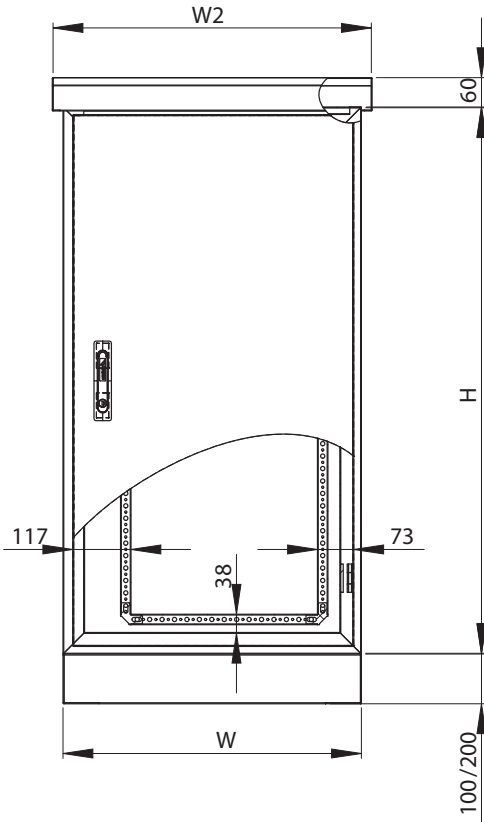
SECTION F-F
SCALE 1 : 10

ENCLOSURE WIDTH	W	W1
600	600	498
800	800	698
1000	1000	898
1200	1200	1098

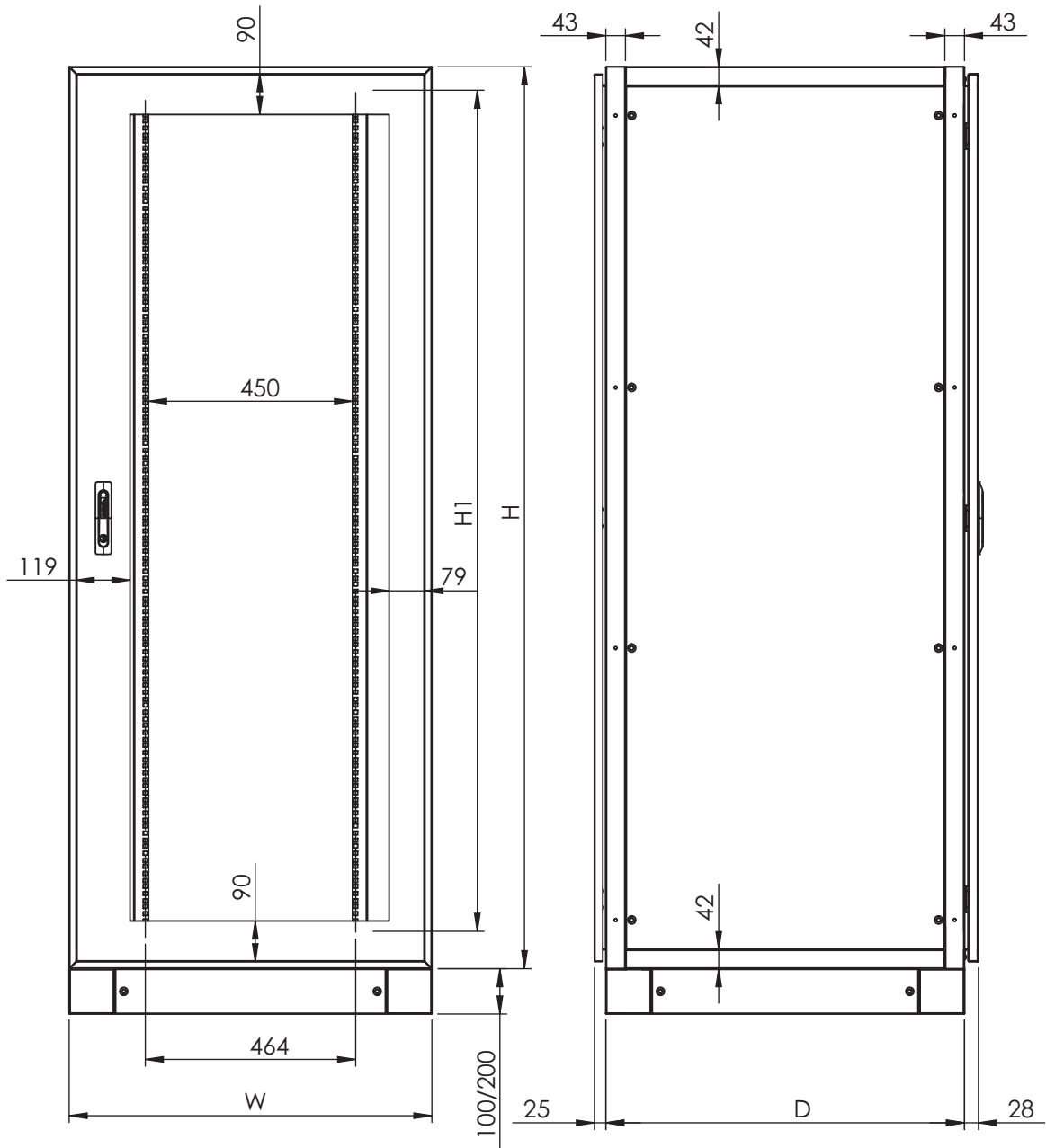


ENCLOSURE WIDTH	W	W1
600	590	440

ENCLOSURE DEPTH	D	D1
600	590	440
800	790	640



ENCLOSURE WIDTH	W	W1	W2	ENCLOSURE DEPTH	D	D1	ENCLOSURE HEIGHT	H	H1
600	600	498	640	400	400	454	1100	1100	984
800	800	698	840	600	600	654	1600	1600	1484
1200	1200	1098	1240	800	800	854	1900	1900	1784

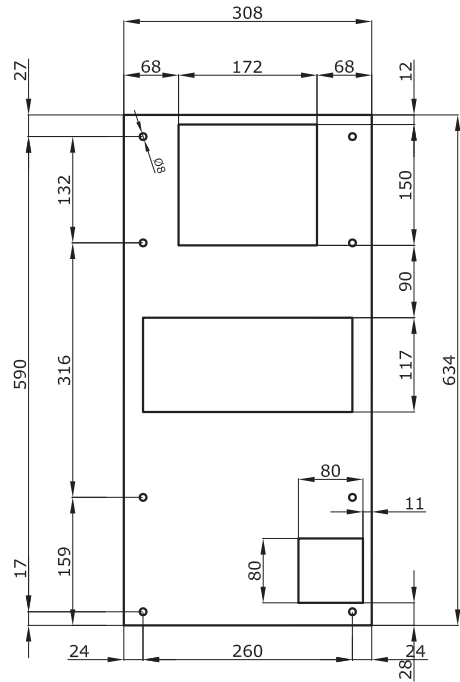
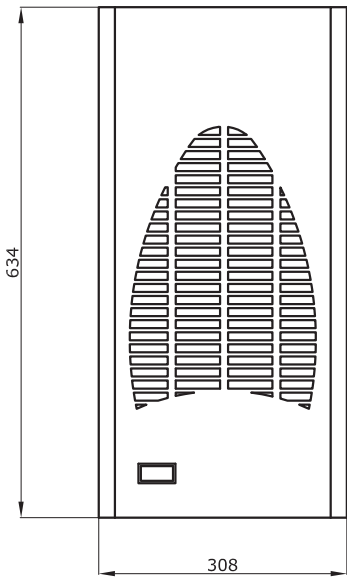


ENCLOSURE WIDTH	W
600	590
800	800

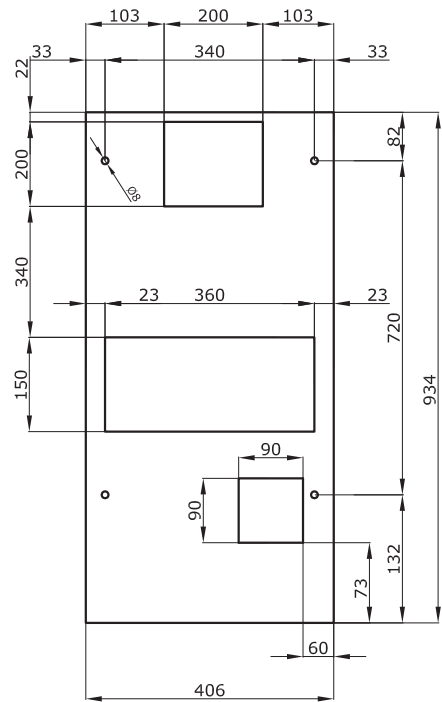
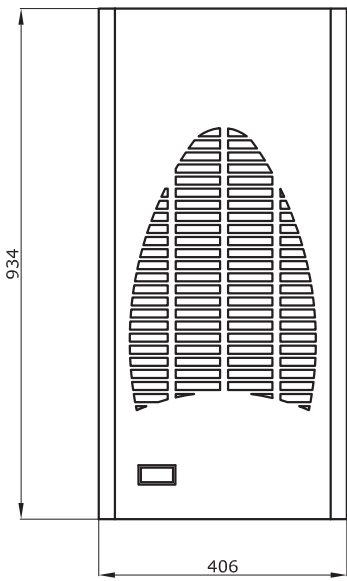
ENCLOSURE DEPTH	D
600	590
800	790

ENCLOSURE HEIGHT	H	H1
1200	1190	24 U
1600	1600	33 U
2000	1990	42 U

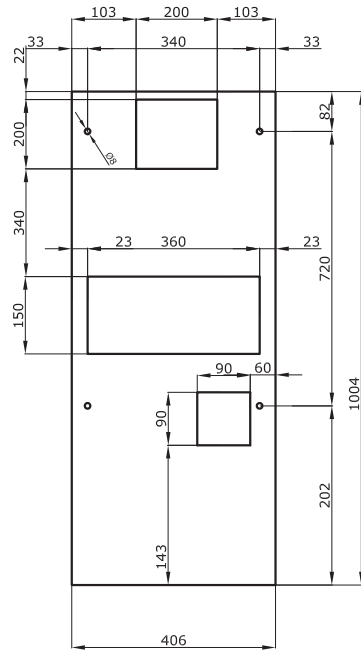
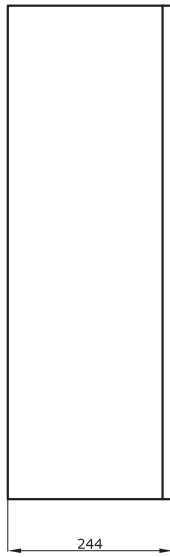
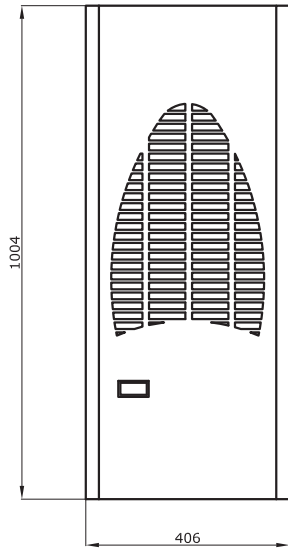
EVE 04



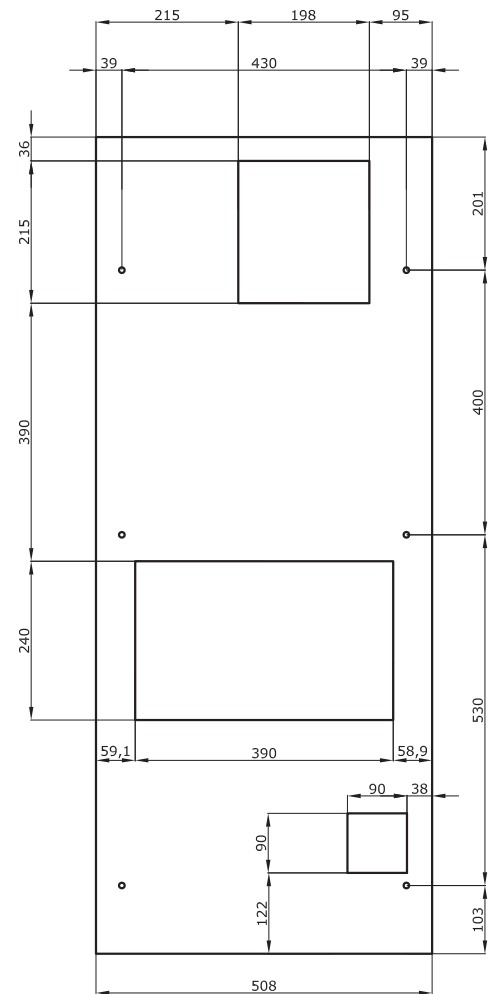
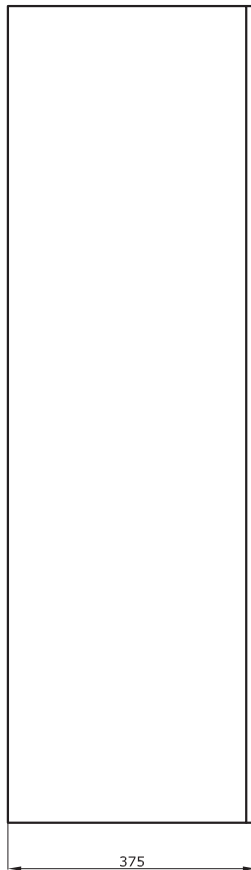
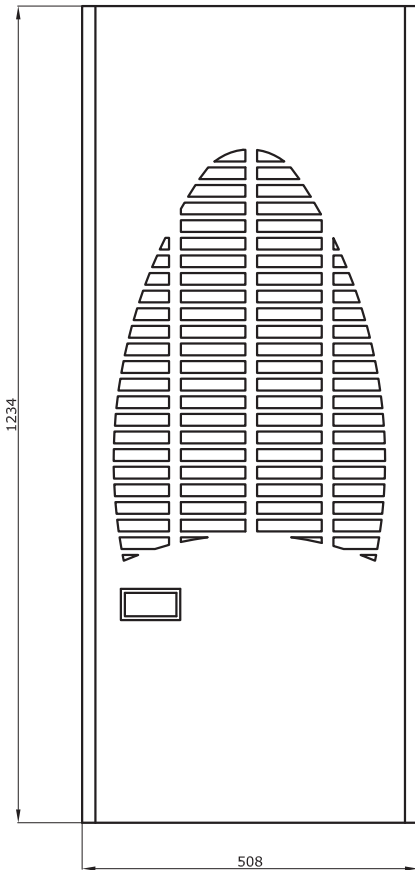
EVE 11 - EVE 14



EVE 20

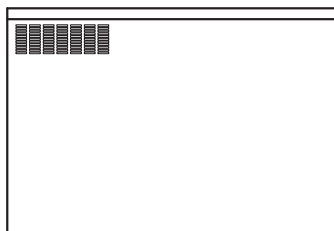
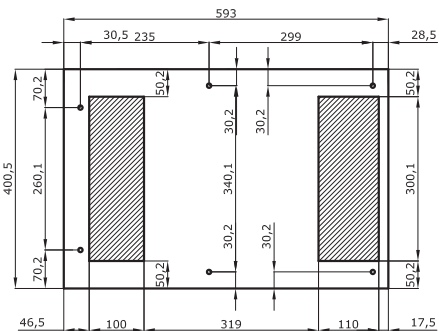
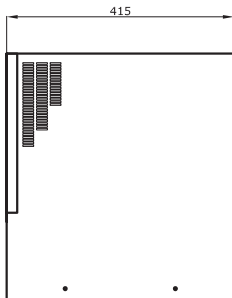
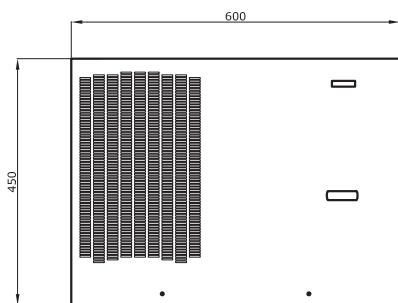


EVE 28

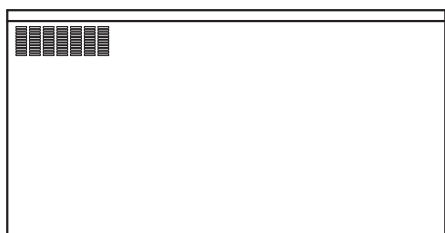
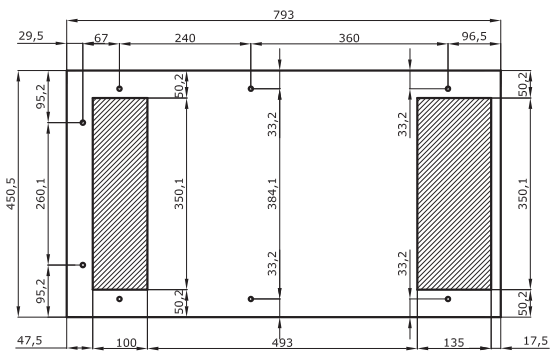
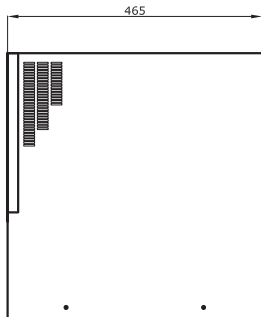
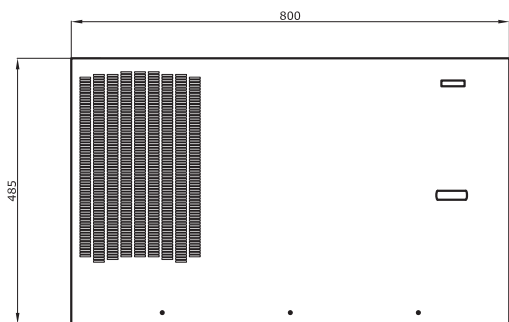




ETE 20

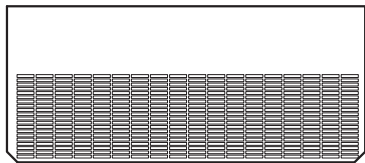
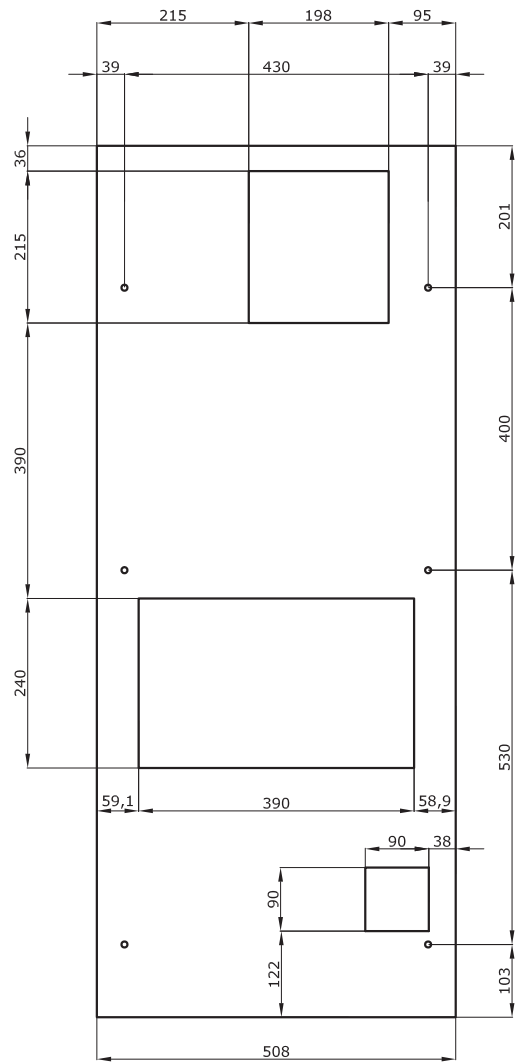
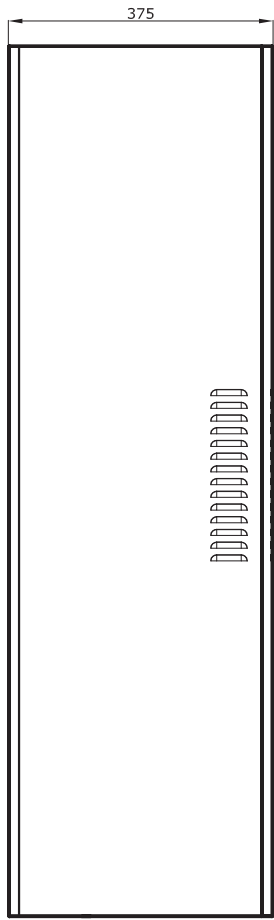
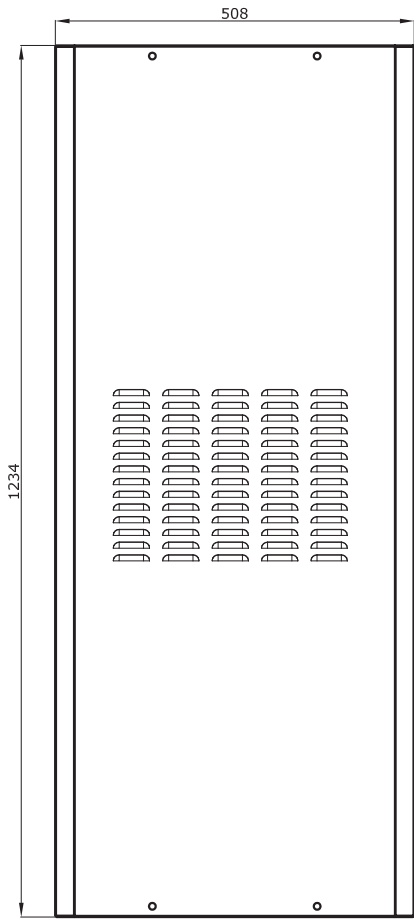


ETE 41

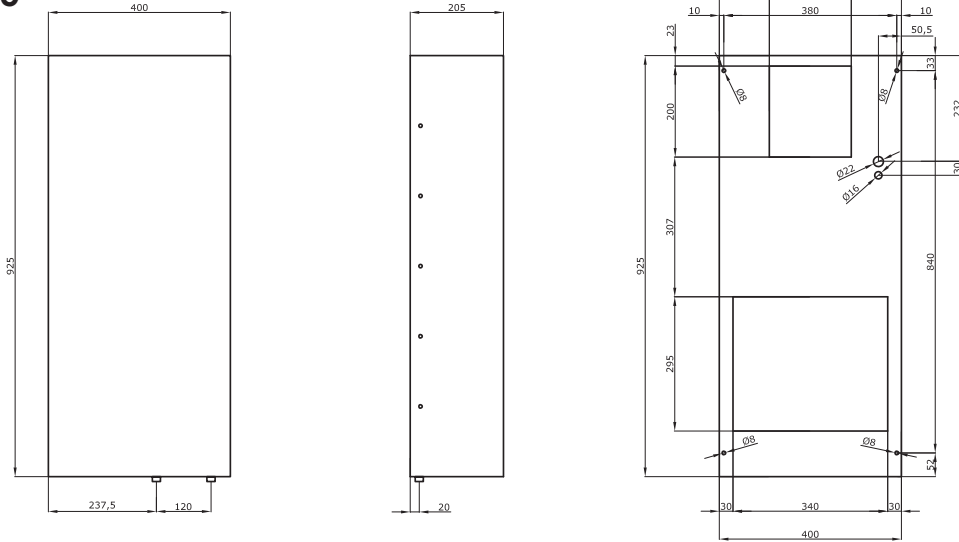




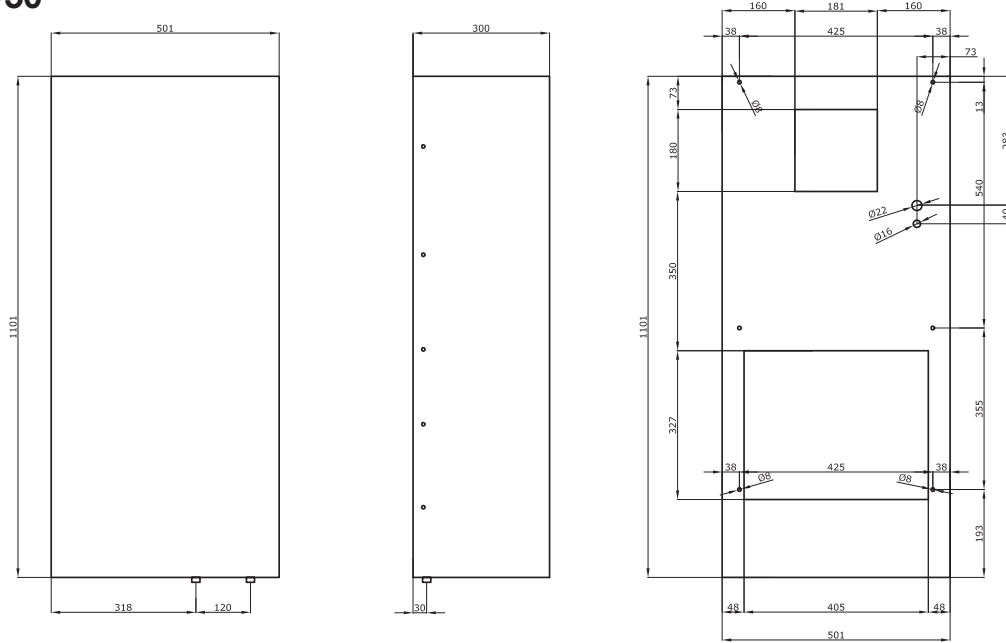
EVO 41



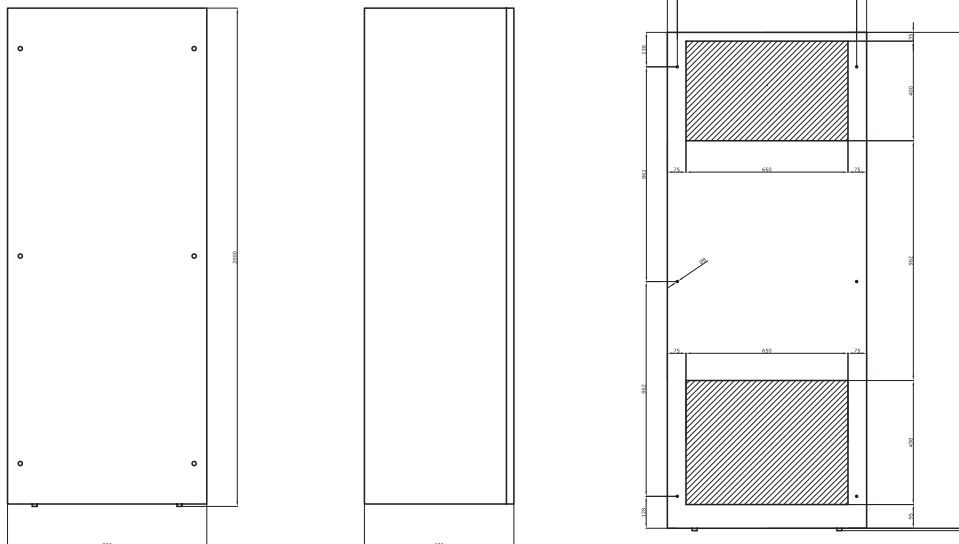
EXW15



EXW50



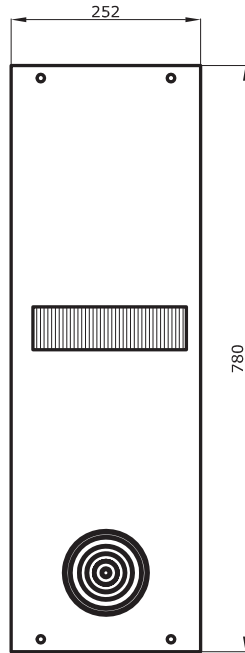
EXWA5 - EXWB0



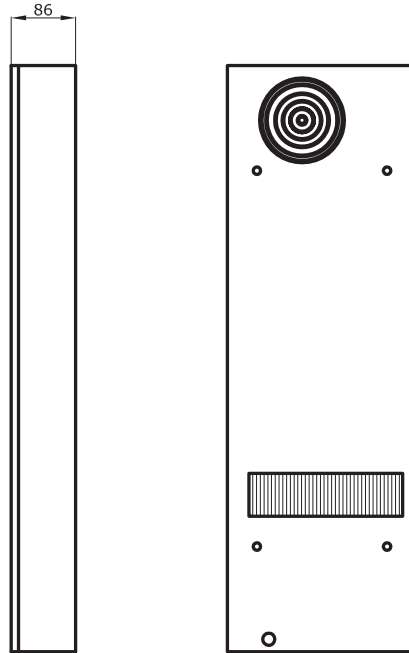


XVA35

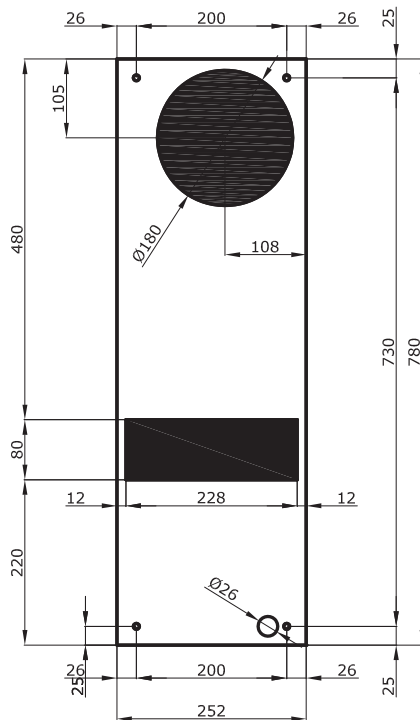
FRONT VIEW



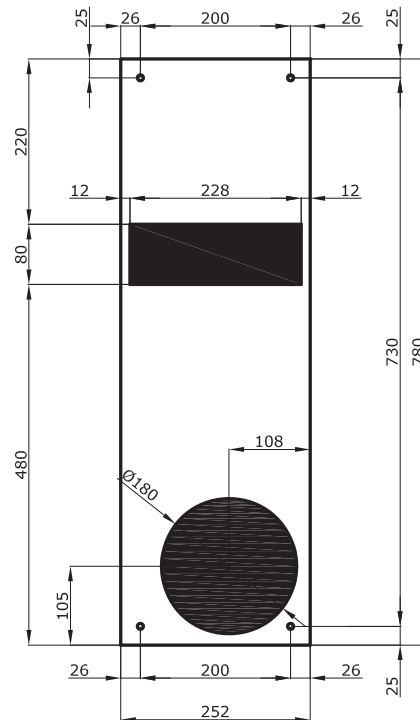
REAR VIEW



EXTERNAL INSTALLATION



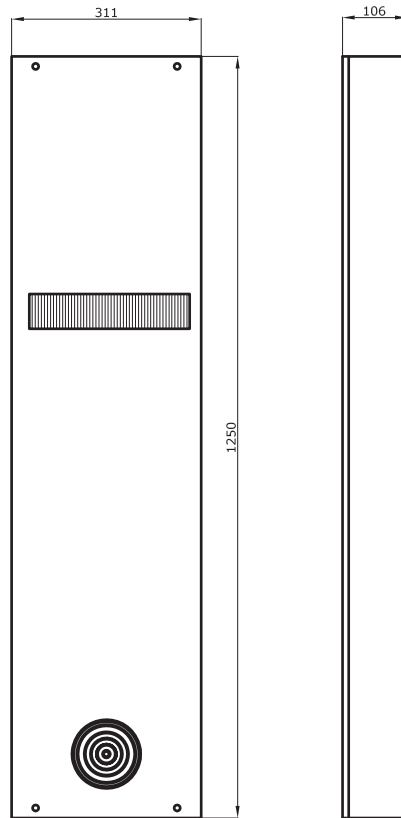
INTERNAL INSTALLATION



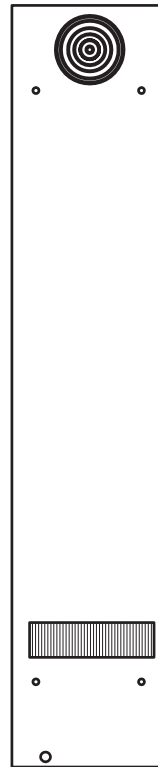


XVA80

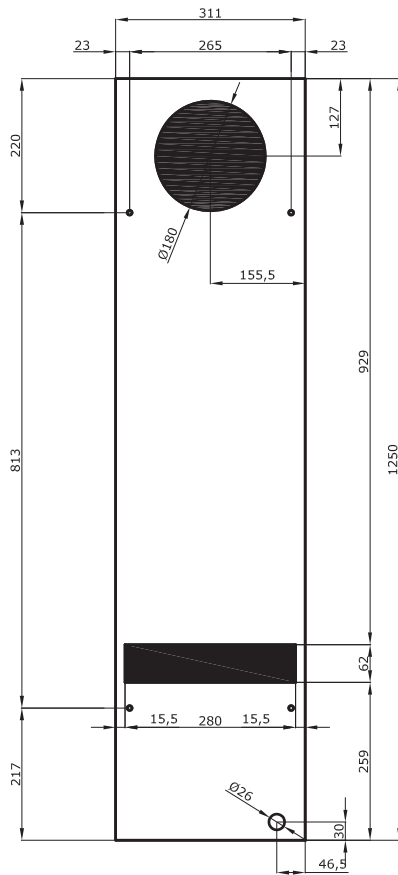
FRONT VIEW



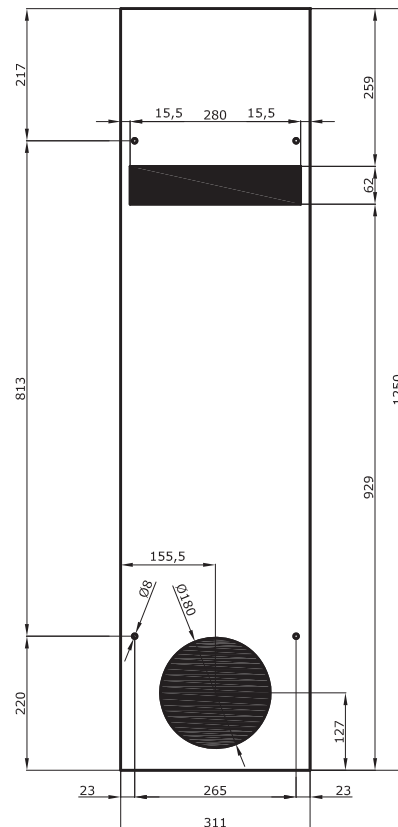
REAR VIEW



EXTERNAL INSTALLATION



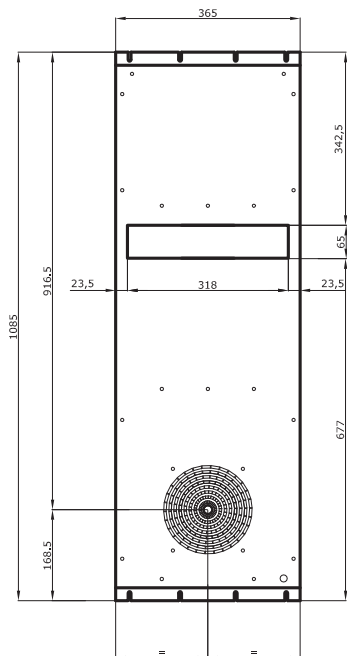
INTERNAL INSTALLATION



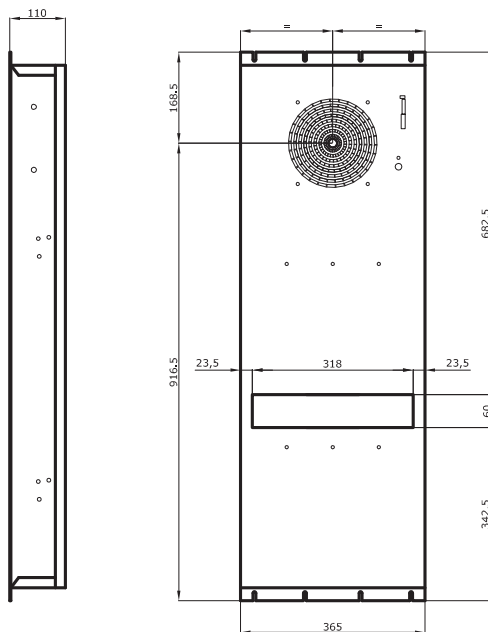


XVH60

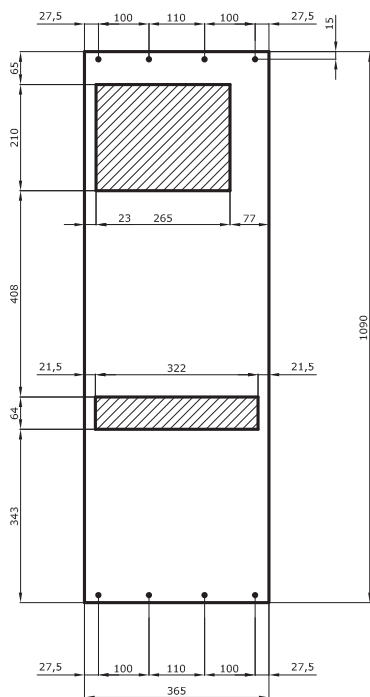
FRONT VIEW



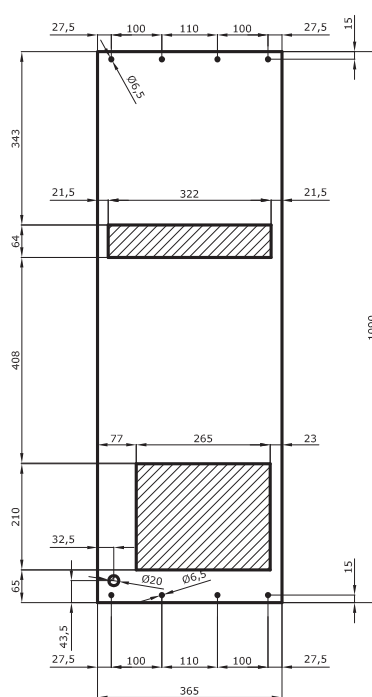
REAR VIEW



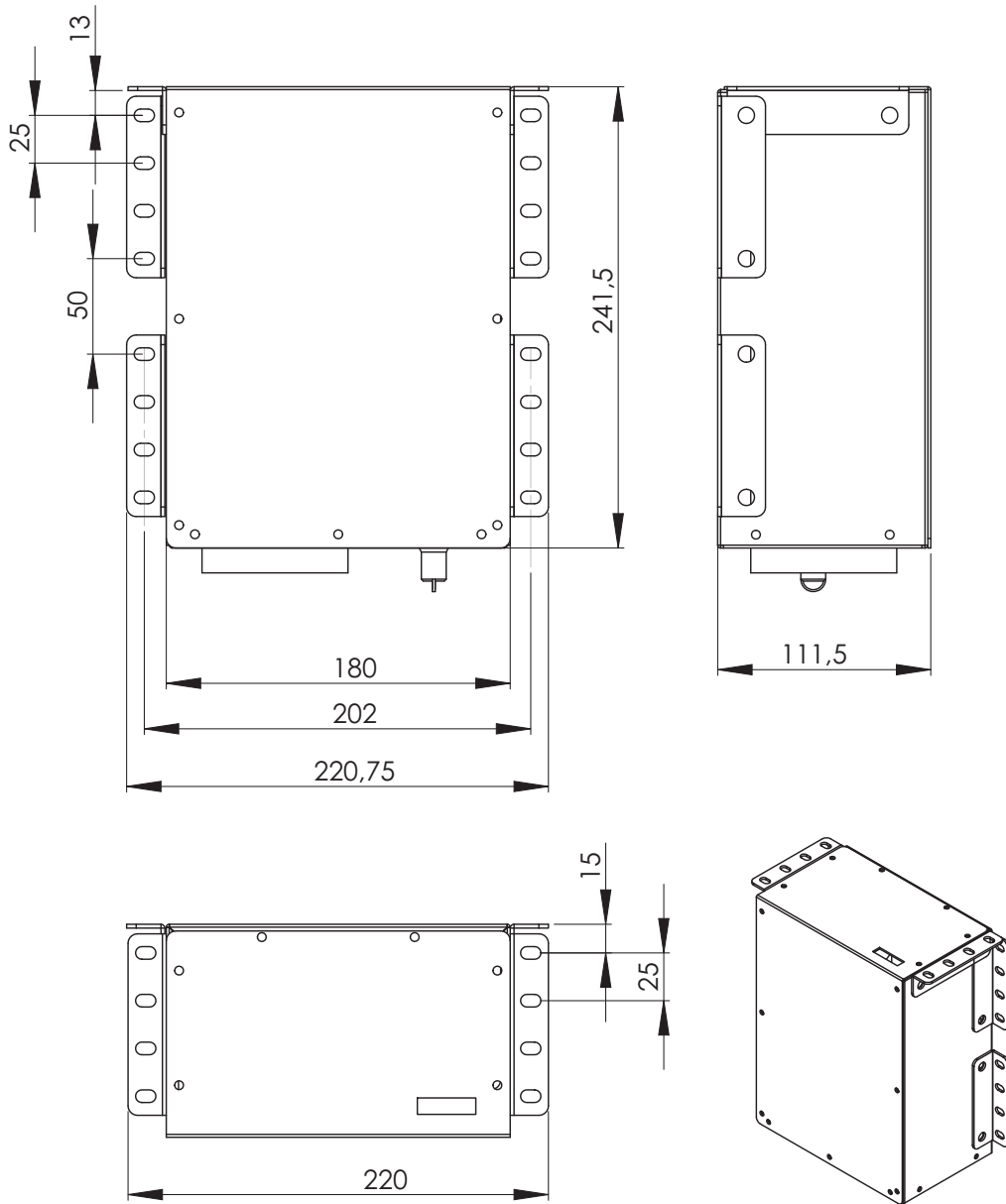
EXTERNAL INSTALLATION



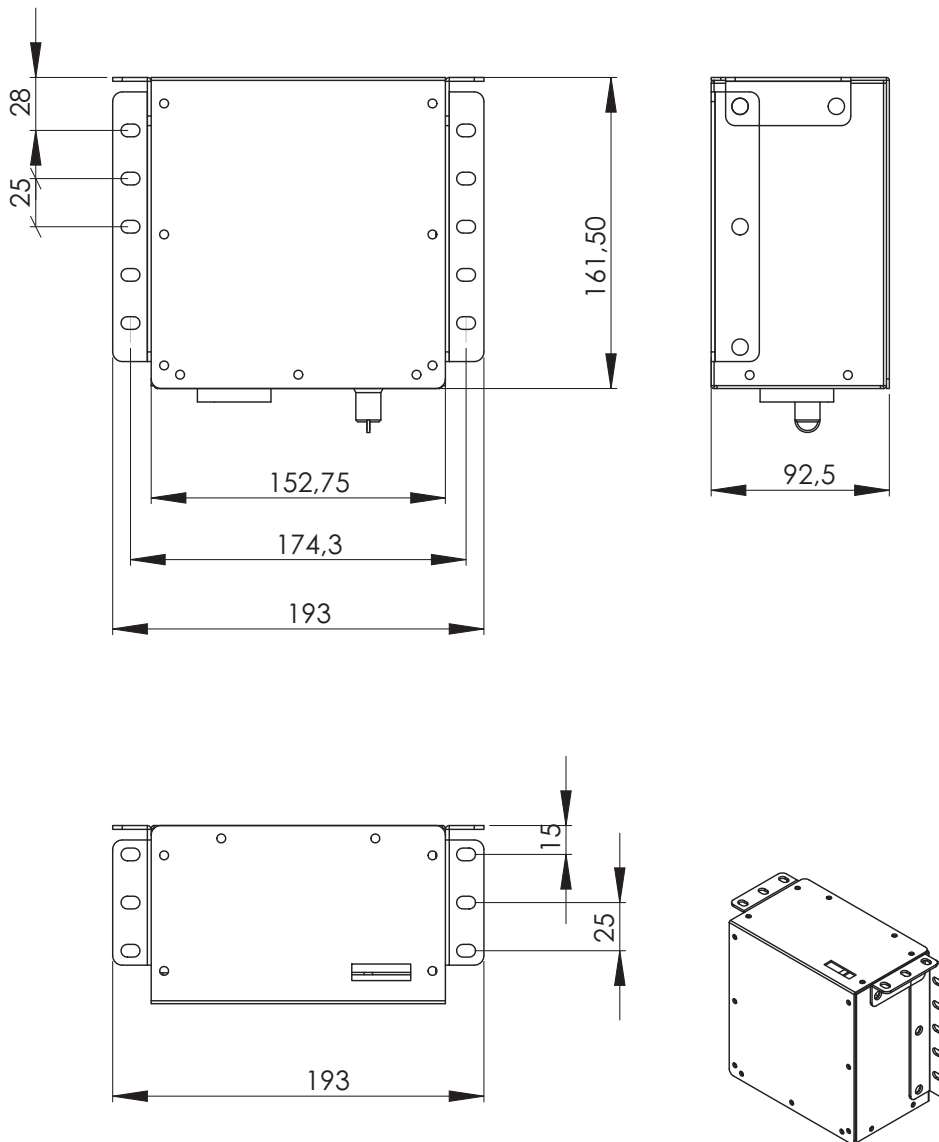
INTERNAL INSTALLATION



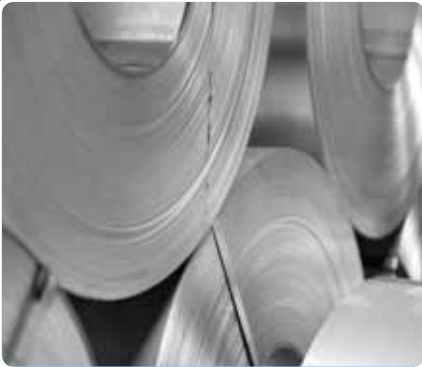
AFEM 2 - AFEM 5



AFEM Z3 - AFEM Z6 - AFEM 1



INFORMATION ON STEEL USED IN OUR PRODUCTS

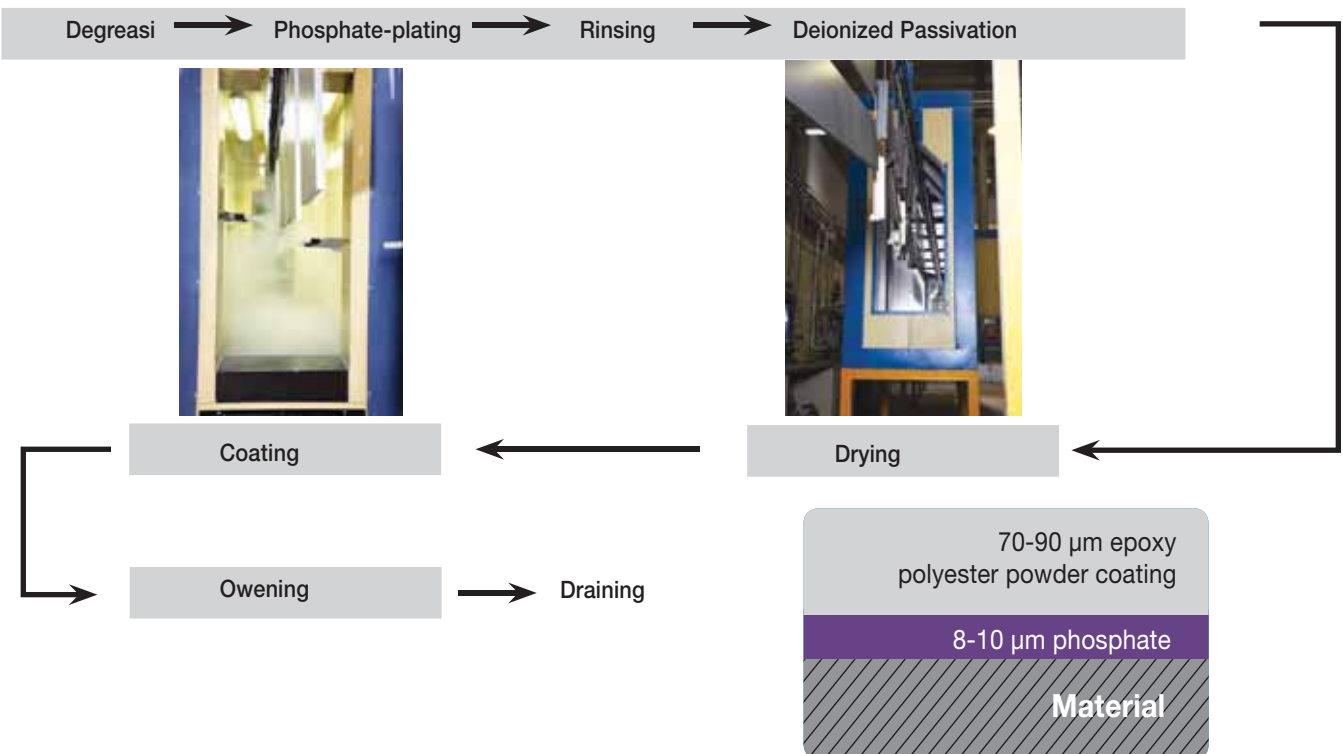


- MILD STEEL : 6112 DIN EN 10130-99-DC01
- GALVANIZED STEEL : 1311 DIN EN 10142-00 DX51 D+Z
- STAINLESS STEEL : Standard use: AISI 304 (1.4301 BS EN 10088)
Optional use: AISI 316 (1.4401 BS EN 10088)
- ALUMINIUM SHEET : AIMg3
(Optional)

PRODUCT COATING APPLICATION



Pressurized Spray Cleaning Line

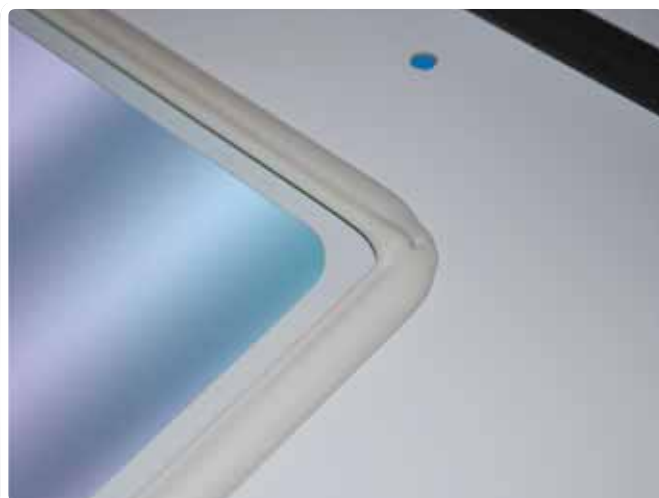


PLATING APPLICATIONS



- Process-exposed, multiple-perforated, non-coated parts are manufactured from mild steel and plated with (Cr+3) zinc. If these parts are galvanized without plating, perforated or cut areas on the parts can corrode. Therefore, these types of parts (mounting rail etc) are zinc-plated.

SEALING AND GLASS GLUEING APPLICATION



- For water and dust impermeability, we use polyurethane liquid gasket in our products.
- Operating between 40 °C and +100 °C, this gasket is used in liquid form. It provides a high protection in continental climates, production sites where temperatures can be high and applications of heat-radiating devices.
- Glass glueing is done with CNC machine and this allows for strong adhesion. Thus, dust and liquid impermeability provides IP 67 protection on the glazed surface.

PACKAGING

PACKAGING FOR COMPACT ENCLOSURES



PACKAGING FOR FLOOR ASSEMBLED TYPES, KMT, KMP, PC and HC SERIE ENCLOSURES



DT FLAT PACKAGING



TEOS FLAT PACKAGING



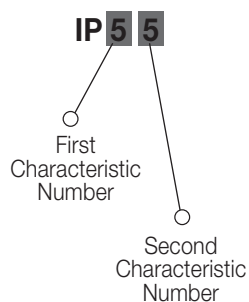
ACCESSORY PACKAGING



Flat package products are packaged by automatic packaging machine.



IP PROTECTION CATEGORY ACCORDING TO IEC 60 529



First Characteristic Protection Number Against Foreign Materials		
First Number	Explanation	Definition
1	Protective against 50mm (in diameter) or bigger solid materials	A shaft or ball of 50mm diameter should not completely enter. (a)
2	Protective against solid materials of 12,5mm diameter or more	A shaft or ball of 12,5 mm diameter should not completely enter. (a)
3	Protective against solid materials of 2,5mm diameter or more	A shaft or ball of 2,5 mm diameter should not completely enter. (a)
4	Protective against solid materials of 1,0mm diameter or more	A shaft or ball of 1,0 mm diameter should not completely enter. (a)
5	Dust-resistant	There might be a small amount of dust input. Should not harm device security
6	Dust-resistant	No dust should enter into the enclosure in 20mbar pressure applications

Second Number for Characteristic Water-Resistance		
Second Number	Explanation	Definition
1	Resistant to Water Drops from straight angles	Water drops falling at straight angles should not have any harmful impact.
2	Resistant to water drops falling with a straight angle when the enclosure is 15 degrees biased	When the enclosure is 15 degrees biased, water drops falling from both sides should not give any harm.
3	Resistant to water injection	Water-injection coming from both sides at 60 degrees should not leave any damage.
4	Water-splash-resistant	Resistance to water splashes from all angles
5	Water-jet-resistant	Should provide resistance to low-pressure water jet from all angles.
6	Resistant to pressurized water-jet	No dust should enter in the enclosure in 20mbar pressure applications.
7	Resistance to temporary water-immersion	Temporarily immersed in water under standard duration and pressure conditions, the enclosure should not be damaged.
8	Resistance to permanent water-immersion	Permanently immersed in water under standard duration and pressure conditions, the enclosure should not be damaged

UL NEMA STANDARDS SHEET

UL/NEMA Type	PROTECTION EXPLANATION ACCORDING TO UL NEMA STANDARDS	
	EXPLANATION	
1	Indoor enclosures should have protection against foreign materials	
3	Enclosures frequently used indoors should have protection against the harmful effects of solid materials, rain, dust and frosting.	
3R	Enclosures frequently used indoors should have protection against the harmful effects of solid materials, rain, dust and frosting	
3S	Enclosures frequently used indoors should have protection against solid materials, rain, dust and snow. Outer mechanisms of the enclosure should be protective against frosting.	
4	Indoor or outdoor enclosures should be protective against rain, foreign materials, water splashes, hosing as well as external frosting.	
4X	Indoor or outdoor enclosures should be protective against rain, foreign materials, water splashes, hosing as well as external frosting.	
12, 12 K	Enclosures frequently used indoors should have protection against foreign materials, non-corrosive liquid drops, dust settling.	
13	Enclosures frequently used indoors should have protection against dust settling, water splashes, oil and non-corrosive cooling liquids or gases.	

CABLO GLAND SELECTION SHEET

SELECTION TABLE FOR CABLE GLANDS TO PG SIZE

PG	Cable Diameter(mm)	Assembling Hole(mm)
11	5_10	18.5
13.5	6_12	20.5
16	10_14	22.5
21	13_18	28.5
29	18_25	37.5
36	22_32	47
42	32-38	55
48	37-44	60



tekpan[®]

INDUSTRIAL ENCLOSURES & CABINETS

INDEX

REF. NO.	PRODUCT DESCRIPTION	PAGE	REF. NO.	PRODUCT DESCRIPTION	PAGE
138.164.N	Assembled Enclosure H2:100mm (DT)	116	2 01 07.0009	Partial Mounting Plate (DT)	122
138.165.N	Assembled Enclosure H2:100mm (DT)	116	2 01 07.0010	Partial Mounting Plate (DT)	122
138.166.N	Assembled Enclosure H2:100mm (DT)	116	2 01 07.0011	Partial Mounting Plate (DT)	122
138.184.N	Assembled Enclosure H2:100mm (DT)	117	2 01 07.0012	Partial Mounting Plate (DT)	122
138.184.NK	Assembled Stainless Steel Enclosure (DT)	149	2 01 07.0013	Partial Mounting Plate (DT)	122
138.185.N	Assembled Enclosure H2:100mm (DT)	117	2 01 07.0014	Partial Mounting Plate (DT)	122
138.185.NK	Assembled Stainless Steel Enclosure (DT)	149	2 01 07.0015	Partial Mounting Plate (DT)	122
138.186.N	Assembled Enclosure H2:100mm (DT)	117	2 01 07.0016	Partial Mounting Plate (DT)	122
138.186.NK	Assembled Stainless Steel Enclosure (DT)	149	2 01 07.0017	Partial Mounting Plate (DT)	122
138.188.N	Assembled Enclosure H2:100mm (DT)	117	2 01 07.0018	Partial Mounting Plate (DT)	122
138.188.NK	Assembled Stainless Steel Enclosure (DT)	149	2 01 07.0019	Partial Mounting Plate (DT)	122
138.204.N	Assembled Enclosure H2:100mm (DT)	118	2 01 07.0020	Partial Mounting Plate (DT)	122
138.204.NK	Assembled Stainless Steel Enclosure (DT)	149	2 01 07.0021	Partial Mounting Plate (DT)	122
138.205.N	Assembled Enclosure H2:100mm (DT)	118	2 01 07.0022	Partial Mounting Plate (DT)	122
138.205.NK	Assembled Stainless Steel Enclosure (DT)	149	2 01 07.0023	Vertical Rail (DT)	122
138.206.N	Assembled Enclosure H2:100mm (DT)	118	2 01 07.0024	Vertical Rail (DT)	122
138.206.NK	Assembled Stainless Steel Enclosure (DT)	149	2 01 07.0025	Vertical Rail (DT)	122
138.208.N	Assembled Enclosure H2:100mm (DT)	118	2 01 07.0026	Vertical Rail (DT)	122
138.208.NK	Assembled Stainless Steel Enclosure (DT)	149	2 01 07.0027	Vertical Rail (DT)	122
138.226.N	Assembled Enclosure H2:100mm (DT)	119	2 01 07.0028	Vertical Rail (DT)	122
140.180	Flat Package Main Body (DT)	117	2 01 07.0029	Vertical Rail (DT)	122
140.200	Flat Package Main Body (DT)	118	2 01 07.0030	Vertical Rail (DT)	122
142.180	Flat Package Main Body (DT)	117	2 01 07.0031	Busbar Support Kit (DT)	123
142.200	Flat Package Main Body (DT)	118	2 01 07.0032	Busbar Support Kit (DT)	123
145.185	Adapter Corner Enclosure (DT)	131	2 01 07.0034	Cover Plate Frame (DT)	124
145.186	Adapter Corner Enclosure (DT)	131	2 01 07.0035	Cover Plate Frame (DT)	124
145.188	Adapter Corner Enclosure (DT)	131	2 01 07.0037	Cover Plate Frame (DT)	124
145.200	Flat Package Main Body (DT)	120	2 01 07.0038	Cover Plate Frame (DT)	124
145.205	Adapter Corner Enclosure (DT)	131	2 01 07.0040	Cover Plate Frame (DT)	124
145.206	Adapter Corner Enclosure (DT)	131	2 01 07.0041	Cover Plate Frame (DT)	124
145.208	Adapter Corner Enclosure (DT)	131	2 01 07.0042	Cover Plate Frame (DT)	124
146.120	Flat Package Main Body (DT)	115	2 01 07.0043	Partial Cover Plate (DT)	124
146.160	Flat Package Main Body (DT)	116	2 01 07.0044	Partial Cover Plate (DT)	124
146.180	Flat Package Main Body (DT)	117	2 01 07.0045	Mbc Hole Cutouted Cover Plates (DT)	124
146.200	Flat Package Main Body (DT)	118	2 01 07.0046	Partial Cover Plate (DT)	124
146.220	Flat Package Main Body (DT)	119	2 01 07.0047	Partial Cover Plate (DT)	124
148.120	Flat Package Main Body (DT)	115	2 01 07.0048	Partial Cover Plate (DT)	124
148.160	Flat Package Main Body (DT)	116	2 01 07.0049	Partial Cover Plate (DT)	124
148.180	Flat Package Main Body (DT)	117	2 01 07.0050	Partial Cover Plate (DT)	124
148.200	Flat Package Main Body (DT)	118	2 01 07.0051	Partial Cover Plate (DT)	124
148.220	Flat Package Main Body (DT)	119	2 01 07.0052	Mbc Hole Cutouted Cover Plates (DT)	124
155.200	Flat Package Main Body (Glazed Door)(DT)	118	2 01 07.0053	Partial Cover Plate (DT)	124
156.160	Flat Package Main Body (Glazed Door)(DT)	116	2 01 07.0054	Partial Cover Plate (DT)	124
156.180	Flat Package Main Body (Glazed Door)(DT)	117	2 01 07.0055	Partical Inside Cover (DT)	124
156.200	Flat Package Main Body (Glazed Door)(DT)	118	2 01 07.0056	Partical Inside Cover (DT)	124
158.160	Flat Package Main Body (Glazed Door)(DT)	116	2 01 07.0057	Partial Cover Plate (DT)	124
158.180	Flat Package Main Body (Glazed Door)(DT)	117	2 01 07.0058	Partial Cover Plate (DT)	124
158.200	Flat Package Main Body (Glazed Door)(DT)	118	2 01 07.0059	Mbc Hole Cutouted Cover Plates (DT)	124
2 01 07.0001	Depth Rail (DT)	122	2 01 07.0060	Partial Cover Plate (DT)	124
2 01 07.0002	Depth Rail (DT)	122	2 01 07.0061	Partial Cover Plate (DT)	124
2 01 07.0003	Depth Rail (DT)	122	2 01 07.0062	Partial Cover Plate (DT)	124
2 01 07.0004	Depth Rail (DT)	122	2 01 07.0063	Partial Cover Plate (DT)	124
2 01 07.0005	Partial Mounting Plate (DT)	122	2 01 07.0064	Dividing Kit (DT)	123
2 01 07.0006	Partial Mounting Plate (DT)	122	2 01 07.0065	Dividing Kit (DT)	123
2 01 07.0007	Partial Mounting Plate (DT)	122	2 01 07.0066	Dividing Kit (Divider Door) (DT)	123
2 01 07.0008	Partial Mounting Plate (DT)	122	2 01 07.0067	Dividing Kit (Divider Door) (DT)	123

REF. NO.	PRODUCT DESCRIPTION	PAGE	REF. NO.	PRODUCT DESCRIPTION	PAGE
2 01 07.0071	Cover Plate Frame (DT)	124	218.030	Wall Mounted Enclosures (DM)	17
2 01 07.0072	Cover Plate Frame (DT)	124	218.030.K	Stainless Steel Wall-Mounted Enclosures (DM)	147
2 01 07.0073	Heavy Equipment Kit (DT).....	123	218.230	Wall Mounted Enclosures (DM)	17
2 01 07.0074	Heavy Equipment Kit (DT).....	123	218.230.K	Stainless Steel Wall-Mounted Enclosures (DM)	147
2 01 07.0075	Heavy Equipment Kit (DT).....	123	218.820	Wall Mounted Enclosures (DM)	17
2 01 07.0076	Heavy Equipment Kit (DT).....	123	218.830	Wall Mounted Enclosures (DM)	17
2 01 07.0077	Heavy Equipment Kit (DT).....	123	312.212	Terminal Boxes (KT).....	15
2 01 07.0078	Heavy Equipment Kit (DT).....	123	312.212.K	KT Stainless Steel Terminal Boxes	146
2 01 07.0079	Heavy Equipment Kit (DT).....	123	313.212.K	KT Stainless Steel Terminal Boxes	146
2 01 07.0080	Heavy Equipment Kit (DT).....	123	313.312	Terminal Boxes (KT).....	15
2 01 07.0081	Heavy Equipment Kit (DT).....	123	313.312.K	KT Stainless Steel Terminal Boxes	146
2 01 07.0082	Busbar Support Kit (DT)	123	314.212.K	KT Stainless Steel Terminal Boxes	146
2 01 07.0083	Busbar Support Kit (DT)	123	314.312.K	KT Stainless Steel Terminal Boxes	146
2 01 07.0084	Busbar Support Kit (DT)	123	314.412	Terminal Boxes (KT).....	15
2 01 07.0085	Busbar Support Kit (DT)	123	314.412.K	KT Stainless Steel Terminal Boxes	146
2 01 07.0088	Partial Mounting Plate (DT)	122	315.212	Terminal Boxes (KT).....	15
2 01 07.0089	Partial Mounting Plate (DT)	122	315.312	Terminal Boxes (KT).....	15
2 01 07.0090	Partial Mounting Plate (DT)	122	316.212	Terminal Boxes (KT).....	15
2 01 07.0091	Partial Mounting Plate (DT)	122	316.312	Terminal Boxes (KT).....	15
210.030	Wall Mounted Enclosures (DM)	17	316.412	Terminal Boxes (KT).....	15
210.030.K	Stainless Steel Wall-Mounted Enclosures (DM)	147	406.186	PC Cabinet	139
210.820	Wall Mounted Enclosures (DM)	17	406.186.K	PC Stainless Steel Pc Cabinet	151
210.830	Wall Mounted Enclosures (DM)	17	406.188	PC Cabinet	139
212.315	Wall Mounted Enclosures (DM)	17	406.188.K	PC Stainless Steel Pc Cabinet	151
213.320	Wall Mounted Enclosures (DM)	17	433.320	Basic Control Panel	141
213.415	Wall Mounted Enclosures (DM)	17	433.530	Control Panel With Console.....	141
213.415.K	Stainless Steel Wall-Mounted Enclosures (DM)	147	434.320	Basic Control Panel	141
213.420	Wall Mounted Enclosures (DM)	17	434.420	Basic Control Panel	141
213.420.K	Stainless Steel Wall-Mounted Enclosures (DM)	147	434.583	Control Panel With Console.....	141
214.320	Wall Mounted Enclosures (DM)	17	434.635	Control Panel With Console.....	141
214.420	Wall Mounted Enclosures (DM)	17	435.625	Basic Control Panel	141
214.520	Wall Mounted Enclosures (DM)	17	504.991	Adjustable Flat Cusbar Supports	165
214.520.K	Stainless Steel Wall-Mounted Enclosures (DM)	147	510.350	KMT-1000 Control Desk.....	135
214.620	Wall Mounted Enclosures (DM)	17	510.350.K	KMT-1000 And KMT-2000 Stainless Steel Control Desk.....	150
214.620.K	Stainless Steel Wall-Mounted Enclosures (DM)	147	512.350	KMT-1000 Control Desk.....	135
214.630	Wall Mounted Enclosures (DM)	17	512.350.K	KMT-1000 And KMT-2000 Stainless Steel Control Desk.....	150
214.630.K	Stainless Steel Wall-Mounted Enclosures (DM)	147	516.350	KMT-1000 Control Desk.....	135
215.520	Wall Mounted Enclosures (DM)	17	516.350.K	KMT-1000 And KMT-2000 Stainless Steel Control Desk.....	150
215.530	Wall Mounted Enclosures (DM)	17	518.350	KMT-1000 Control Desk.....	135
215.620	Wall Mounted Enclosures (DM)	17	518.350.K	KMT-1000 And KMT-2000 Stainless Steel Control Desk.....	150
215.720	Wall Mounted Enclosures (DM)	17	520.400	KMT-2000 Control Desk.....	136
215.720.K	Stainless Steel Wall-Mounted Enclosures (DM)	147	520.400.K	KMT-1000 And KMT-2000 Stainless Steel Control Desk.....	150
215.730	Wall Mounted Enclosures (DM)	17	522.400	KMT-2000 Control Desk.....	136
215.730.K	Stainless Steel Wall-Mounted Enclosures (DM)	147	522.400.K	KMT-1000 And KMT-2000 Stainless Steel Control Desk.....	150
216.030	Wall Mounted Enclosures (DM)	17	526.400	KMT-2000 Control Desk.....	136
216.030.K	Stainless Steel Wall-Mounted Enclosures (DM)	147	526.400.K	KMT-1000 And KMT-2000 Stainless Steel Control Desk.....	150
216.230	Wall Mounted Enclosures (DM)	17	528.400	KMT-2000 Control Desk.....	136
216.230.K	Stainless Steel Wall-Mounted Enclosures (DM)	147	528.400.K	KMT-1000 And KMT-2000 Stainless Steel Control Desk.....	150
216.420	Wall Mounted Enclosures (DM)	17	530.450	KMT-3000 Control Desk.....	137
216.430	Wall Mounted Enclosures (DM)	17	532.450	KMT-3000 Control Desk.....	137
216.620	Wall Mounted Enclosures (DM)	17	538.450	KMT-3000 Control Desk.....	137
216.630	Wall Mounted Enclosures (DM)	17	552.490	Flexible Copper Busbars	170
216.820	Wall Mounted Enclosures (DM)	17	552.500	Flexible Copper Busbars	170
216.820.K	Stainless Steel Wall-Mounted Enclosures (DM)	147	552.520	Flexible Copper Busbars	170
216.830	Wall Mounted Enclosures (DM)	17	552.530	Flexible Copper Busbars	170
216.830.K	Stainless Steel Wall-Mounted Enclosures (DM)	147	552.580	Flexible Copper Busbars	170

REF. NO.	PRODUCT DESCRIPTION	PAGE	REF. NO.	PRODUCT DESCRIPTION	PAGE
552.590	Flexible Copper Busbars	170	560.900	Adjustable Busbar Support (Metal Supported)	164
552.650	Flexible Copper Busbars	170	560.910	Adjustable Busbar Support (Metal Supported-Assembling Kit)	164
552.660	Flexible Copper Busbars	170	560.920	Adjustable Busbar Support (Metal Supported-Assembling Kit)	164
552.730	Flexible Copper Busbars	170	561.200	QCC Clamp	174
552.740	Flexible Copper Busbars	170	561.210	QCC Clamp	174
552.750	Flexible Copper Busbars	170	561.220	QCC Clamp	174
552.810	Flexible Copper Busbars	170	568.700	FC Busbar Clamp.....	172
552.870	Flexible Copper Busbars	170	568.730	FC Busbar Clamp.....	172
552.920	Flexible Copper Busbars	170	600.001	Adjustable Busbar Support	162
552.930	Flexible Copper Busbars	170	600.002	Compact Busbar Support	166
552.990	Flexible Copper Busbars	170	600.003	Plug-In Compact.....	168
553.020	FC Busbar Clamp.....	172	600.101	Adjustable Busbar Support	162
553.030	FC Busbar Clamp.....	172	701.040	Top / Bottom Group (Teos)	52
553.040	FC Busbar Clamp.....	172	701.041	Top / Bottom Group (Without Gland Plate) (Teos).....	66
553.050	FC Busbar Clamp.....	172	701.050	Top / Bottom Group (Teos)	52
553.060	FC Busbar Clamp.....	172	701.051	Top / Bottom Group (Without Gland Plate) (Teos).....	66
553.070	FC Busbar Clamp.....	172	701.060	Top / Bottom Group (Teos)	52
553.100	Hcbc High-Current Busbar Clamp.....	172	701.061	Top / Bottom Group (Without Gland Plate) (Teos).....	66
553.110	Hcbc High-Current Busbar Clamp.....	172	701.080	Top / Bottom Group (Teos)	52
553.120	Hcbc High-Current Busbar Clamp.....	172	701.081	Top / Bottom Group (Without Gland Plate) (Teos).....	66
553.200	BC Ribbed-Steel Busbar Clamp	172	701.240	Top / Bottom Group (Teos)	52
553.210	BC Ribbed-Steel Busbar Clamp	172	701.250	Top / Bottom Group (Teos)	52
553.220	BC Ribbed-Steel Busbar Clamp	172	701.260	Top / Bottom Group (Teos)	52
553.230	BC Ribbed-Steel Busbar Clamp	172	701.280	Top / Bottom Group (Teos)	52
553.250	BC Ribbed-Steel Busbar Clamp	172	701.450	Top / Bottom Group (Teos)	52
553.260	BC Ribbed-Steel Busbar Clamp	172	701.451	Top / Bottom Group (Without Gland Plate) (Teos).....	66
553.370	RFS Support	171	701.460	Top / Bottom Group (Teos)	52
553.380	RFS Support	171	701.461	Top / Bottom Group (Without Gland Plate) (Teos).....	66
553.400	FBC Connector Busbar Thinckness 5 mm.....	173	701.480	Top / Bottom Group (Teos)	52
553.405	FBC Connector Busbar Thinckness 5 mm.....	173	701.481	Top / Bottom Group (Without Gland Plate) (Teos).....	66
553.410	FBC Connector Busbar Thinckness 5 mm.....	173	701.640	Top / Bottom Group (Teos)	52
553.430	FBC Connector Busbar Thinckness 10 mm.....	173	701.641	Top / Bottom Group (Without Gland Plate) (Teos).....	66
553.440	FBC Connector Busbar Thinckness 10 mm.....	173	701.650	Top / Bottom Group (Teos)	52
553.505	FBC Connector Busbar Thinckness 10 mm.....	173	701.651	Top / Bottom Group (Without Gland Plate) (Teos).....	66
553.510	FBC Connector Busbar Thinckness 5 mm.....	173	701.660	Top / Bottom Group (Teos)	52
553.520	FBC Connector Busbar Thinckness 5 mm.....	173	701.661	Top / Bottom Group (Without Gland Plate) (Teos).....	66
553.530	FBC Connector Busbar Thinckness 10 mm.....	173	701.680	Top / Bottom Group (Teos)	52
553.540	FBC Connector Busbar Thinckness 10 mm.....	173	701.681	Top / Bottom Group (Without Gland Plate) (Teos).....	66
553.550	FS Spacer Clamp.....	171	701.740	Top / Bottom Group (Teos)	52
553.560	FS Spacer Clamp.....	171	701.741	Top / Bottom Group (Without Gland Plate) (Teos).....	66
553.570	FS Spacer Clamp.....	171	701.750	Top / Bottom Group (Teos)	52
553.580	FS Spacer Clamp.....	171	701.751	Top / Bottom Group (Without Gland Plate) (Teos).....	66
553.590	UFS Kit.....	171	701.760	Top / Bottom Group (Teos)	52
558.310	Cont Kit.....	174	701.761	Top / Bottom Group (Without Gland Plate) (Teos).....	66
558.340	Cont Kit.....	174	701.780	Top / Bottom Group (Teos)	52
558.370	Cont Kit.....	174	701.781	Top / Bottom Group (Without Gland Plate) (Teos).....	66
558.410	Cont Kit.....	174	701.840	Top / Bottom Group (Teos)	52
558.440	Cont Kit.....	174	701.841	Top / Bottom Group (Without Gland Plate) (Teos).....	66
558.460	Cont Kit.....	174	701.850	Top / Bottom Group (Teos)	52
558.480	Cont Kit.....	174	701.851	Top / Bottom Group (Without Gland Plate) (Teos).....	66
558.490	Cont Kit.....	174	701.860	Top / Bottom Group (Teos)	52
558.880	Cont Kit.....	174	701.861	Top / Bottom Group (Without Gland Plate) (Teos).....	66
560.860	Adjustable Busbar Support (Metal Supported).....	164	701.880	Top / Bottom Group (Teos)	52
560.870	Adjustable Busbar Support (Metal Supported).....	164	701.881	Top / Bottom Group (Without Gland Plate) (Teos).....	66
560.880	Adjustable Busbar Support (Metal Supported).....	164	702.120	Vertical Frame Group (Teos)	52, 67
560.890	Adjustable Busbar Support (Metal Supported).....	164	702.160	Vertical Frame Group (Teos)	52, 67

REF. NO.	PRODUCT DESCRIPTION	PAGE	REF. NO.	PRODUCT DESCRIPTION	PAGE
702.180	Vertical Frame Group (Teos).....	52, 67	706.126	Side Panels (Teos).....	54, 68
702.200	Vertical Frame Group (Teos).....	52, 67	706.164	Side Panels (Teos).....	54, 68
702.220	Vertical Frame Group (Teos).....	52, 67	706.165	Side Panels (Teos).....	54, 68
703.018	Rear Panel Group (Teos).....	54, 68	706.166	Side Panels (Teos).....	54, 68
703.020	Rear Panel Group (Teos).....	54, 68	706.184	Side Panels (Teos).....	54, 68
703.212	Rear Panel Group (Teos).....	54, 68	706.185	Side Panels (Teos).....	54, 68
703.216	Rear Panel Group (Teos).....	54, 68	706.186	Side Panels (Teos).....	54, 68
703.218	Rear Panel Group (Teos).....	54, 68	706.188	Side Panels (Teos).....	54, 68
703.220	Rear Panel Group (Teos).....	54, 68	706.204	Side Panels (Teos).....	54, 68
703.222	Rear Panel Group (Teos).....	54, 68	706.205	Side Panels (Teos).....	54, 68
703.418	Rear Panel Group (Teos).....	54, 68	706.206	Side Panels (Teos).....	54, 68
703.420	Rear Panel Group (Teos).....	54, 68	706.208	Side Panels (Teos).....	54, 68
703.612	Rear Panel Group (Teos).....	54, 68	706.226	Side Panels (Teos).....	54, 68
703.616	Rear Panel Group (Teos).....	54, 68	707.018	Mounting Plate (Teos).....	56
703.618	Rear Panel Group (Teos).....	54, 68	707.020	Mounting Plate (Teos).....	56
703.620	Rear Panel Group (Teos).....	54, 68	707.212	Mounting Plate (Teos).....	56
703.622	Rear Panel Group (Teos).....	54, 68	707.216	Mounting Plate (Teos).....	56
703.718	Rear Panel Group (Teos).....	54, 68	707.218	Mounting Plate (Teos).....	56
703.720	Rear Panel Group (Teos).....	54, 68	707.220	Mounting Plate (Teos).....	56
703.812	Rear Panel Group (Teos).....	54, 68	707.222	Mounting Plate (Teos).....	56
703.816	Rear Panel Group (Teos).....	54, 68	707.612	Mounting Plate (Teos).....	56
703.818	Rear Panel Group (Teos).....	54, 68	707.616	Mounting Plate (Teos).....	56
703.820	Rear Panel Group (Teos).....	54, 68	707.618	Mounting Plate (Teos).....	56
703.822	Rear Panel Group (Teos).....	54, 68	707.620	Mounting Plate (Teos).....	56
704.018	Solid Front Door (Teos).....	55, 69	707.622	Mounting Plate (Teos).....	56
704.020	Solid Front Door (Teos).....	55, 69	707.718	Mounting Plate (Teos).....	56
704.021	Solid Front Door (Teos).....	55, 69	707.720	Mounting Plate (Teos).....	56
704.212	Solid Front Door (Teos).....	55, 69	707.812	Mounting Plate (Teos).....	56
704.216	Solid Front Door (Teos).....	55, 69	707.816	Mounting Plate (Teos).....	56
704.218	Solid Front Door (Teos).....	55, 69	707.818	Mounting Plate (Teos).....	56
704.220	Solid Front Door (Teos).....	55, 69	707.820	Mounting Plate (Teos).....	56
704.222	Solid Front Door (Teos).....	55, 69	707.822	Mounting Plate (Teos).....	56
704.418	Solid Front Door (Teos).....	55, 69	708.100	Plinth Corner Part (Teos).....	53, 67
704.420	Solid Front Door (Teos).....	55, 69	708.200	Plinth Corner Part (Teos).....	53, 67
704.612	Solid Front Door (Teos).....	55, 69	709.100	Plinth Front Covers (Teos).....	53, 67
704.616	Solid Front Door (Teos).....	55, 69	709.120	Plinth Front Covers (Teos).....	53, 67
704.618	Solid Front Door (Teos).....	55, 69	709.140	Plinth Front Covers (Teos).....	53, 67
704.620	Solid Front Door (Teos).....	55, 69	709.160	Plinth Front Covers (Teos).....	53, 67
704.622	Solid Front Door (Teos).....	55, 69	709.170	Plinth Front Covers (Teos).....	53, 67
704.718	Solid Front Door (Teos).....	55, 69	709.180	Plinth Front Covers (Teos).....	53, 67
704.720	Solid Front Door (Teos).....	55, 69	710.140	Plinth Side Covers (Teos).....	53, 67
704.811	Solid Front Door (Teos).....	55, 69	710.150	Plinth Side Covers (Teos).....	53, 67
704.812	Solid Front Door (Teos).....	55, 69	710.160	Plinth Side Covers (Teos).....	53, 67
704.816	Solid Front Door (Teos).....	55, 69	710.180	Plinth Side Covers (Teos).....	53, 67
704.818	Solid Front Door (Teos).....	55, 69	711.000	Baying Kit (Teos).....	58, 69
704.820	Solid Front Door (Teos).....	55, 69	711.001	Combination Angles (Teos).....	105
704.821	Solid Front Door (Teos).....	55, 69	711.002	Fixing Bracket (Teos).....	105
704.822	Solid Front Door (Teos).....	55, 69	711.003	Angular Brackets(Teos).....	105
705.618	Glazed Front Door (Teos).....	55, 69	711.004	Adjustable Bracket (Teos).....	105
705.620	Glazed Front Door (Teos).....	55, 69	712.120	Intermediate Mounting Plate (Teos).....	56
705.718	Glazed Front Door (Teos).....	55, 69	712.120	Intermediate Mounting Plate (Teos).....	94
705.720	Glazed Front Door (Teos).....	55, 69	712.121	Edge Extension For Mounting Plate (Teos).....	57, 94
705.818	Glazed Front Door (Teos).....	55, 69	712.160	Intermediate Mounting Plate (Teos).....	56, 94
705.820	Glazed Front Door (Teos).....	55, 69	712.161	Edge Extension For Mounting Plate (Teos).....	57, 94
706.124	Side Panels (Teos).....	54, 68	712.180	Intermediate Mounting Plate (Teos).....	56, 94
706.125	Side Panels (Teos).....	54, 68	712.181	Edge Extension For Mounting Plate (Teos).....	57, 94

REF. NO.	PRODUCT DESCRIPTION	PAGE	REF. NO.	PRODUCT DESCRIPTION	PAGE
712.200	Intermediate Mounting Plate (Teos).....	56, 94	901.104	Angular Enclosure Lamp	204
712.201	Edge Extension For Mounting Plate (Teos)	57, 94	901.110	Led Light Enclosure Lamp (Screwed Type)	99, 204
712.220	Intermediate Mounting Plate (Teos).....	56, 94	901.120	Led Light Enclosure Lamp (Magnetic Type)	99, 204
712.221	Edge Extension For Mounting Plate (Teos)	57, 94	902.100	Door Lamp Switch (Mini Switch).....	205
717.612	Mounting Plate In 2,00 mm Sheet Thickness (Teos)	93	902.110	Door Lamp Switch	99, 205
717.616	Mounting Plate In 2,00 mm Sheet Thickness (Teos)	93	903.110	Lamp Rail (DT).....	129
717.618	Mounting Plate In 2,00 mm Sheet Thickness (Teos)	93	903.120	Lamp Rail (DT).....	129
717.620	Mounting Plate In 2,00 mm Sheet Thickness (Teos)	93	903.150	Lamp Rail (DT).....	129
717.718	Mounting Plate In 2,00 mm Sheet Thickness (Teos)	93	903.151	Lamp Rail (Ares)	31
717.720	Mounting Plate In 2,00 mm Sheet Thickness (Teos)	93	903.160	Lamp Rail (DT).....	129
717.812	Mounting Plate In 2,00 mm Sheet Thickness (Teos)	93	903.180	Lamp Rail (DT).....	129
717.816	Mounting Plate In 2,00 mm Sheet Thickness (Teos)	93	903.204	Lamp Rail (Teos)	100
717.818	Mounting Plate In 2,00 mm Sheet Thickness (Teos)	93	903.206	Lamp Rail (Teos)	100
717.820	Mounting Plate In 2,00 mm Sheet Thickness (Teos)	93	903.207	Lamp Rail (Teos)	100
812.114	Outer Environment Cabinets (HC).....	155	903.208	Lamp Rail (Teos)	100
812.116	Outer Environment Cabinets (HC).....	155	903.210	Lamp Rail (Teos)	100
812.164	Outer Environment Cabinets (HC).....	155	903.212	Lamp Rail (Teos)	100
812.166	Outer Environment Cabinets (HC).....	155	903.300	Switch Bracket (Teos)	100
812.196	Outer Environment Cabinets (HC).....	155	905.202	Door Stopper (Teos)	98
816.114	Outer Environment Cabinets (HC).....	155	911.104	H100 Plinth (DT).....	120
816.116	Outer Environment Cabinets (HC).....	155	911.105	H100 Plinth (DT).....	120
816.118	Outer Environment Cabinets (HC).....	155	911.106	H100 Plinth (DT).....	120
816.164	Outer Environment Cabinets (HC).....	155	911.108	H100 Plinth (DT).....	120
816.166	Outer Environment Cabinets (HC).....	155	911.124	H100 Plinth (DT).....	120
816.168	Outer Environment Cabinets (HC).....	155	911.125	H100 Plinth (DT).....	120
816.196	Outer Environment Cabinets (HC).....	155	911.126	H100 Plinth (DT).....	120
816.198	Outer Environment Cabinets (HC).....	155	911.128	H100 Plinth (DT).....	120
816.246	Rack Cabinet (19") (RC).....	159	911.154	H100 Plinth (DT).....	120
816.248	Rack Cabinet (19") (RC).....	159	911.155	H100 Plinth (DT).....	120
816.336	Rack Cabinet (19") (RC).....	159	911.156	H100 Plinth (DT).....	120
816.338	Rack Cabinet (19") (RC).....	159	911.158	H100 Plinth (DT).....	120
816.426	Rack Cabinet (19") (RC).....	159	911.164	H100 Plinth (DT).....	120
816.428	Rack Cabinet (19") (RC).....	159	911.165	H100 Plinth (DT).....	120
818.114	Outer Environment Cabinets (HC).....	155	911.166	H100 Plinth (DT).....	120
818.116	Outer Environment Cabinets (HC).....	155	911.168	H100 Plinth (DT).....	120
818.118	Outer Environment Cabinets (HC).....	155	911.184	H100 Plinth (DT).....	120
818.164	Outer Environment Cabinets (HC).....	155	911.185	H100 Plinth (Dt).....	120
818.166	Outer Environment Cabinets (HC).....	155	911.186	H100 Plinth (DT).....	120
818.168	Outer Environment Cabinets (HC).....	155	911.188	H100 Plinth (DT).....	120
818.196	Outer Environment Cabinets (HC).....	155	911.204	H200 Plinth (DT).....	120
818.198	Outer Environment Cabinets (HC).....	155	911.204.K	Stainless Steel Base H200mm Plinth (DT).....	149
818.246	Rack Cabinet (19") (RC).....	159	911.205	H200 Plinth (DT).....	120
818.248	Rack Cabinet (19") (RC).....	159	911.205.K	Stainless Steel Base H200mm Plinth (DT).....	149
818.336	Rack Cabinet (19") (RC).....	159	911.206	H200 Plinth (DT).....	120
818.338	Rack Cabinet (19") (RC).....	159	911.206.K	Stainless Steel Base H200mm Plinth (DT).....	149
818.426	Rack Cabinet (19") (RC).....	159	911.208	H200 Plinth (DT).....	120
818.428	Rack Cabinet (19") (RC).....	159	911.208.K	Stainless Steel Base H200mm Plinth (DT).....	149
891.006	Fixed Shelf (19") (RC).....	159	911.224	H200 Plinth (DT).....	120
891.008	Fixed Shelf (19") (RC).....	159	911.224.K	Stainless Steel Base H200mm Plinth (DT).....	149
891.016	Movable Shelf (19") (RC).....	159	911.225	H200 Plinth (DT).....	120
891.018	Movable Shelf (19") (RC).....	159	911.225.K	Stainless Steel Base H200mm Plinth (DT).....	149
892.001	Blank Panel (19") (RC)	159	911.226	H200 Plinth (DT).....	120
892.002	Blank Panel (19") (RC)	159	911.226.K	Stainless Steel Base H200mm Plinth (DT).....	149
892.003	Blank Panel (19") (RC)	159	911.228	H200 Plinth (DT).....	120
892.006	Blank Panel (19") (RC)	159	911.228.K	Stainless Steel Base H200mm Plinth (DT).....	149
901.100	Lamp 230V – 8W (Ares) - Flat Enclosure Lamp.....	31, 204	911.254	H200 Plinth (DT).....	120

REF. NO.	PRODUCT DESCRIPTION	PAGE	REF. NO.	PRODUCT DESCRIPTION	PAGE
911.255	H200 Plinth (DT).....	120	912.137	Top Angle Iron Combination (Teos).....	106
911.256	H200 Plinth (DT).....	120	912.138	Top Angle Iron Combination (Teos).....	106
911.258	H200 Plinth (DT).....	120	912.139	Top Angle Iron Combination (Teos).....	106
911.264	H200 Plinth (DT).....	120	912.140	Top Angle Iron Combination (Teos).....	106
911.264.K	Stainless Steel Base H200mm Plinth (DT).....	149	912.141	Top Angle Iron Combination (Teos).....	106
911.265	H200 Plinth (DT).....	120	912.142	Top Angle Iron Combination (Teos).....	106
911.265.K	Stainless Steel Base H200mm Plinth (DT).....	149	912.143	Top Angle Iron Combination (Teos).....	106
911.266	H200 Plinth (DT).....	120	912.144	Top Angle Iron Combination (Teos).....	106
911.266.K	Stainless Steel Base H200mm Plinth (DT).....	149	912.145	Top Angle Iron Combination (Teos).....	106
911.268	H200 Plinth (DT).....	120	912.146	Top Angle Iron Combination (Teos).....	106
911.268.K	Stainless Steel Base H200mm Plinth (DT).....	149	912.147	Top Angle Iron Combination (Teos).....	106
911.284	H200 Plinth (DT).....	120	912.148	Top Angle Iron Combination (Teos).....	106
911.284.K	Stainless Steel Base H200mm Plinth (DT).....	149	912.149	Top Angle Iron Combination (Teos).....	106
911.285	H200 Plinth (DT).....	120	912.150	Top Angle Iron Combination (Teos).....	106
911.285.K	Stainless Steel Base H200mm Plinth (DT).....	149	912.151	Top Angle Iron Combination (Teos).....	106
911.286	H200 Plinth (DT).....	120	912.152	Top Angle Iron Combination (Teos).....	106
911.286.K	Stainless Steel Base H200mm Plinth (DT).....	149	912.153	Top Angle Iron Combination (Teos).....	106
911.288	H200 Plinth (DT).....	120	912.154	Top Angle Iron Combination (Teos).....	106
911.288.K	Stainless Steel Base H200mm Plinth (DT).....	149	912.155	Top Angle Iron Combination (Teos).....	106
912.100	Fixed Plinth (Teos).....	90	912.156	Top Angle Iron Combination (Teos).....	106
912.101	Fixed Plinth (Teos).....	90	912.157	Top Angle Iron Combination (Teos).....	106
912.102	Fixed Plinth (Teos).....	90	912.158	Top Angle Iron Combination (Teos).....	106
912.103	Fixed Plinth (Teos).....	90	912.159	Top Angle Iron Combination (Teos).....	106
912.104	Fixed Plinth (Teos).....	90	912.160	Top Angle Iron Combination (Teos).....	106
912.105	Fixed Plinth (Teos).....	90	912.161	Top Angle Iron Combination (Teos).....	106
912.106	Fixed Plinth (Teos).....	90	912.162	Top Angle Iron Combination (Teos).....	106
912.107	Fixed Plinth (Teos).....	90	912.163	Top Angle Iron Combination (Teos).....	106
912.108	Fixed Plinth (Teos).....	90	912.164	Top Angle Iron Combination (Teos).....	106
912.109	Fixed Plinth (Teos).....	90	912.165	Top Angle Iron Combination (Teos).....	106
912.110	Fixed Plinth (Teos).....	90	912.166	Top Angle Iron Combination (Teos).....	106
912.111	Fixed Plinth (Teos).....	90	912.167	Top Angle Iron Combination (Teos).....	106
912.112	Fixed Plinth (Teos).....	90	912.168	Top Angle Iron Combination (Teos).....	106
912.113	Fixed Plinth (Teos).....	90	912.169	Top Angle Iron Combination (Teos).....	106
912.114	Fixed Plinth (Teos).....	90	913.124	H100 And H200 mm Plinth (HC).....	156
912.115	Fixed Plinth (Teos).....	90	913.126	H100 And H200 mm Plinth (HC).....	156
912.116	Fixed Plinth (Teos).....	90	913.164	H100 And H200 mm Plinth (HC).....	156
912.117	Fixed Plinth (Teos).....	90	913.166	H100 And H200 mm Plinth (HC).....	156
912.118	Fixed Plinth (Teos).....	90	913.168	H100 And H200 mm Plinth (HC).....	156
912.119	Fixed Plinth (Teos).....	90	913.184	H100 And H200 mm Plinth (HC).....	156
912.120	Fixed Plinth (Teos).....	90	913.186	H100 And H200 mm Plinth (HC).....	156
912.121	Fixed Plinth (Teos).....	90	913.188	H100 And H200 mm Plinth (HC).....	156
912.122	Fixed Plinth (Teos).....	90	913.224	H100 And H200 mm Plinth (HC).....	156
912.123	Fixed Plinth (Teos).....	90	913.226	H100 And H200 mm Plinth (HC).....	156
912.124	Fixed Plinth (Teos).....	90	913.264	H100 And H200 mm Plinth (HC).....	156
912.125	Fixed Plinth (Teos).....	90	913.266	H100 And H200 mm Plinth (HC).....	156
912.126	Fixed Plinth (Teos).....	90	913.268	H100 And H200 mm Plinth (HC).....	156
912.127	Fixed Plinth (Teos).....	90	913.284	H100 And H200 mm Plinth (HC).....	156
912.128	Fixed Plinth (Teos).....	90	913.286	H100 And H200 mm Plinth (HC).....	156
912.129	Fixed Plinth (Teos).....	90	913.288	H100 And H200 mm Plinth (HC).....	156
912.130	Fixed Plinth (Teos).....	90	914.324	Profile Feet (HC).....	156
912.131	Fixed Plinth (Teos).....	90	914.326	Profile Feet (HC).....	156
912.132	Fixed Plinth (Teos).....	90	914.364	Profile Feet (HC).....	156
912.133	Fixed Plinth (Teos).....	90	914.366	Profile Feet (HC).....	156
912.134	Fixed Plinth (Teos).....	90	914.368	Profile Feet (HC).....	156
912.135	Fixed Plinth (Teos).....	90	914.384	Profile Feet (HC).....	156
912.136	Fixed Plinth (Teos).....	90	914.386	Profile Feet (HC).....	156

REF. NO.	PRODUCT DESCRIPTION	PAGE	REF. NO.	PRODUCT DESCRIPTION	PAGE
914.388	Profile Feet (HC)	156	923.601	Brushed Cable Entry System (Teos)	92
915.101	Plinth For Outdoor Use.....	30	923.640	Base System/ Gland Plate (Teos).....	66
915.102	Plinth For Outdoor Use.....	30	923.650	Base System/ Gland Plate (Teos).....	66
915.103	Plinth For Outdoor Use.....	30	923.660	Base System/ Gland Plate (Teos).....	66
915.104	Plinth For Outdoor Use.....	30	923.680	Base System/ Gland Plate (Teos).....	66
915.105	Plinth For Outdoor Use.....	30	923.700	Foam Rubber Cable Entry System (Teos)	92
915.106	Plinth (Ares)	29	923.701	Brushed Cable Entry System(Teos)	92
915.107	Plinth (Ares)	29	923.740	Base System/ Gland Plate (Teos).....	66
915.108	Plinth (Ares)	29	923.750	Base System/ Gland Plate (Teos).....	66
915.109	Plinth (Ares)	29	923.760	Base System/ Gland Plate (Teos).....	66
915.110	Plinth (Ares)	29	923.780	Base System/ Gland Plate (Teos).....	66
915.150	Plinth For Adapter Corner Enclosure (DT)	131	923.800	Foam Rubber Cable Entry System (Teos)	92
915.160	Plinth For Adapter Corner Enclosure (DT)	131	923.801	Brushed Cable Entry System (Teos)	92
915.180	Plinth For Adapter Corner Enclosure (DT)	131	923.840	Base System/ Gland Plate (Teos).....	66
915.250	Plinth For Adapter Corner Enclosure (DT)	131	923.850	Base System/ Gland Plate (Teos).....	66
915.260	Plinth For Adapter Corner Enclosure (DT)	131	923.860	Base System/ Gland Plate (Teos).....	66
915.280	Plinth For Adapter Corner Enclosure (DT)	131	923.880	Base System/ Gland Plate (Teos).....	66
921.054	Gland Plate (DT)	121	924.200	Plastic Gland Plate (DM)	17
921.055	Gland Plate (DT)	121	924.300	Plastic Gland Plate (DM)	17
921.056	Gland Plate (DT)	121	924.400	Plastic Gland Plate (DM)	17
921.058	Gland Plate (DT)	121	925.101	Gland Plate With Form Isolation.....	29
921.064	Gland Plate (DT)	121	925.102	Gland Plate With Form Isolation.....	29
921.065	Gland Plate (DT)	121	925.103	Gland Plate With Form Isolation.....	29
921.066	Gland Plate (DT)	121	925.104	Gland Plate With Form Isolation.....	29
921.068	Gland Plate (DT)	121	925.105	Gland Plate With Form Isolation.....	29
921.084	Gland Plate (DT)	121	931.052	Glazed Door (DT).....	127
921.085	Gland Plate (DT)	121	931.060	Glazed Door (DT).....	127
921.086	Gland Plate (DT)	121	931.066	Glazed Door (DT).....	127
921.088	Gland Plate (DT)	121	931.068	Glazed Door (DT).....	127
921.104	Gland Plate (DT)	121	931.080	Glazed Door (DT).....	127
921.105	Gland Plate (DT)	121	931.086	Glazed Door (DT).....	127
921.106	Gland Plate (DT)	121	931.088	Glazed Door (DT).....	127
921.108	Gland Plate (DT)	121	931.100	Solid Door (DT).....	127
921.124	Gland Plate (DT)	121	931.108	Solid Door (DT).....	127
921.125	Gland Plate (DT)	121	931.120	Solid Door (DT).....	127
921.126	Gland Plate (DT)	121	931.122	Solid Door (DT).....	127
921.128	Gland Plate (DT)	121	931.128	Solid Door (DT).....	127
922.051	Brushed Cable Entry (DT)	121	931.152	Solid Door (DT).....	127
922.061	Brushed Cable Entry (DT)	121	931.160	Solid Door (DT).....	127
922.081	Brushed Cable Entry (DT)	121	931.162	Solid Door (DT).....	127
922.101	Brushed Cable Entry (DT)	121	931.166	Solid Door (DT).....	127
922.201	Brushed Cable Entry (DT)	121	931.168	Solid Door (DT).....	127
923.040	Base System/ Gland Plate (Teos).....	66	931.172	Solid Door (DT).....	127
923.050	Base System/ Gland Plate (Teos).....	66	931.180	Solid Door (DT).....	127
923.060	Base System/ Gland Plate (Teos).....	66	931.182	Solid Door (DT).....	127
923.080	Base System/ Gland Plate (Teos).....	66	931.186	Solid Door (DT).....	127
923.100	Foam Rubber Cable Entry System (Teos)	92	931.188	Solid Door (DT).....	127
923.101	Brushed Cable Entry System (Teos)	92	931.192	Solid Door (DT).....	127
923.120	Foam Rubber Cable Entry System (Teos)	92	932.412	Side Panels (2Pics) (DT)	115
923.121	Brushed Cable Entry System (Teos)	92	932.416	Side Panels (2Pics) (DT)	116
923.400	Foam Rubber Cable Entry System (Teos)	92	932.418	Side Panels (2Pics) (DT)	117
923.401	Brushed Cable Entry System (Teos)	92	932.418.K	Stainless Steel Side Cover (DT).....	149
923.450	Base System/ Gland Plate (Teos).....	66	932.420	Side Panels (2Pics) (DT)	118
923.460	Base System/ Gland Plate (Teos).....	66	932.420.K	Stainless Steel Side Cover (DT).....	149
923.480	Base System/ Gland Plate (Teos).....	66	932.512	Side Panels (2Pics) (DT)	115
923.600	Foam Rubber Cable Entry System (Teos)	92	932.516	Side Panels (2Pics) (DT)	116

REF. NO.	PRODUCT DESCRIPTION	PAGE	REF. NO.	PRODUCT DESCRIPTION	PAGE
932.518	Side Panels (2Pics) (DT)	117	942.018	Mounting Plate (DT)	117
932.518.K	Stainless Steel Side Cover (DT).....	149	942.020	Mounting Plate (DT)	118
932.520	Side Panels (2Pics) (DT)	118	942.122	Mounting Plate (KT).....	15
932.520.K	Stainless Steel Side Cover (DT).....	149	942.132	Mounting Plate (KT).....	15
932.612	Side Panels (2Pics) (DT)	115	942.133	Mounting Plate (KT).....	15
932.616	Side Panels (2Pics) (DT)	116	942.142	Mounting Plate (KT).....	15
932.618	Side Panels (2Pics) (DT)	117	942.143	Mounting Plate (KT).....	15
932.618.K	Stainless Steel Side Cover (DT).....	149	942.144	Mounting Plate (KT).....	15
932.620	Side Panels (2Pics) (DT)	118	942.152	Mounting Plate (KT).....	15
932.620.K	Stainless Steel Side Cover (DT).....	149	942.153	Mounting Plate (KT).....	15
932.622	Side Panels (2Pics) (DT)	119	942.162	Mounting Plate (KT).....	15
932.818	Side Panels (2Pics) (DT)	117	942.163	Mounting Plate (KT).....	15
932.818.K	Stainless Steel Side Cover (DT).....	149	942.164	Mounting Plate (KT).....	15
932.820	Side Panels (2Pics) (DT)	118	942.218	Mounting Plate (DT)	117
932.820.K	Stainless Steel Side Cover (DT).....	149	942.220	Mounting Plate (DT)	118
933.000	Corner Enclosure (Adapter Part) (Teos).....	107	942.222	Mounting Plate (DT)	119
933.001	Corner Enclosure (Adapter Part) (Teos).....	107	942.308	Mounting Plate.....	139, 151
933.002	Corner Enclosure (Adapter Part) (Teos).....	107	942.310	Mounting Plate.....	139, 151
933.003	Corner Enclosure (Adapter Part) (Teos).....	107	942.520	Mounting Plate (DT)	118
933.004	Corner Enclosure (Panel Set) (Teos).....	107	942.522	Mounting Plate (HC).....	157
933.005	Corner Enclosure (Panel Set) (Teos).....	107	942.526	Mounting Plate (HC).....	157
933.006	Corner Enclosure (Panel Set) (Teos).....	107	942.529	Mounting Plate (HC).....	157
933.007	Corner Enclosure (Panel Set) (Teos).....	107	942.562	Mounting Plate (HC).....	157
933.160	Button Protection Glass (DT).....	128	942.566	Mounting Plate (HC).....	157
933.180	Button Protection Glass (DT).....	128	942.569	Mounting Plate (HC).....	157
933.518	Panels For Adapter Corner Enclosure (DT).....	131	942.582	Mounting Plate (HC).....	157
933.520	Panels For Adapter Corner Enclosure (DT).....	131	942.586	Mounting Plate (HC).....	157
933.618	Panels For Adapter Corner Enclosure (DT).....	131	942.589	Mounting Plate (HC).....	157
933.620	Panels For Adapter Corner Enclosure (DT).....	131	942.612	Mounting Plate (DT)	115
933.818	Panels For Adapter Corner Enclosure (DT).....	131	942.616	Mounting Plate (DT)	116
933.820	Panels For Adapter Corner Enclosure (DT).....	131	942.618	Mounting Plate (DT)	117
934.101	Rain Canopy	30	942.620	Mounting Plate (DT)	118
934.102	Rain Canopy	30	942.622	Mounting Plate (DT)	119
934.103	Rain Canopy	30	942.812	Mounting Plate (DT)	115
934.104	Rain Canopy	30	942.816	Mounting Plate (DT)	116
934.105	Rain Canopy	30	942.818	Mounting Plate (DT)	117
934.106	Rain Canopy	30	942.820	Mounting Plate (DT)	118
934.107	Rain Canopy	30	942.822	Mounting Plate (DT)	119
934.108	Rain Canopy	30	943.401	Cover Plate Frame Set (Teos)	87
935.001	Dividing Panel (Teos)	95	943.402	Cover Plate Frame Set (Teos)	87
935.002	Dividing Panel (Teos)	95	943.403	Cover Plate Frame Set (Teos)	87
935.003	Dividing Panel (Teos)	95	943.404	Cover Plate Frame Set (Teos)	87
935.004	Dividing Panel (Teos)	95	943.405	Cover Plate Frame Set (Teos)	87
935.005	Dividing Panel (Teos)	95	943.406	Cover Plate Frame Set (Teos)	87
935.006	Dividing Panel (Teos)	95	943.407	Cover Plate Frame Set (Teos)	87
935.007	Dividing Panel (Teos)	95	943.408	Cover Plate Frame Set (Teos)	87
935.008	Dividing Panel (Teos)	95	943.409	Cover Plate Frame Set (Teos)	87
935.009	Dividing Panel (Teos)	95	943.410	Cover Plate Frame Set (Teos)	87
941.266	Fixed Shelf	139	943.411	Cover Plate Frame Set (Teos)	87
941.266.K	Stainless Steel Fixed Shelf	151	943.412	Cover Plate Frame Set (Teos)	87
941.268	Fixed Shelf	139	943.413	Cover Plate (Teos)	88
941.268.K	Stainless Steel Fixed Shelf	151	943.414	Cover Plate (Teos)	88
941.306	Movable Shelf	139	943.415	Cover Plate (Teos)	88
941.306.K	Stainless Steel Movable Shelf	151	943.416	Cover Plate (Teos)	88
941.308	Movable Shelf	139	943.417	Cover Plate (Teos)	88
941.308.K	Stainless Steel Movable Shelf	151	943.418	Cover Plate (Teos)	88

REF. NO.	PRODUCT DESCRIPTION	PAGE	REF. NO.	PRODUCT DESCRIPTION	PAGE
943.419	Cover Plate (Teos)	88	943.812	Interior Mounting Rails (Ares)	26
943.420	Cover Plate (Teos)	88	943.813	Interior Mounting Rails (Ares)	26
943.421	Cover Plate (Teos)	88	943.814	Interior Mounting Rails (Ares)	26
943.422	Cover Plate (Teos)	88	943.815	Interior Mounting Rails (Ares)	26
943.423	Cover Plate (Teos)	88	943.816	Interior Mounting Rails (Ares)	26
943.424	Cover Plate (Teos)	88	943.820	Interior Cover Plates (Ares)	27
943.425	Cover Plate (Teos)	88	943.821	Interior Cover Plates (Ares)	27
943.426	Cover Plate (Teos)	88	943.822	Interior Cover Plates (Ares)	27
943.427	Cover Plate (Teos)	88	943.823	Interior Cover Plates (Ares)	27
943.428	Cover Plate (Teos)	88	943.824	Interior Cover Plates (Ares)	27
943.429	Cover Plate (Teos)	88	943.825	Interior Cover Plates (Ares)	27
943.430	Cover Plate (Teos)	88	943.826	Interior Cover Plates (Ares)	27
943.431	Cover Plate (Teos)	88	943.827	Interior Cover Plates (Ares)	27
943.432	Cover Plate (Teos)	88	943.828	Interior Cover Plates (Ares)	27
943.433	Cover Plate (Teos)	88	943.829	Interior Cover Plates (Ares)	27
943.434	Cover Plate (Teos)	88	943.830	Interior Cover Plates (Ares)	27
943.435	Cover Plate (Teos)	88	943.831	Interior Cover Plates (Ares)	27
943.436	Cover Plate (Teos)	88	943.832	Interior Cover Plates (Ares)	27
943.437	Cover Plate (Teos)	88	943.833	Interior Cover Plates (Ares)	27
943.438	Cover Plate (Teos)	88	943.834	Interior Cover Plates (Ares)	27
943.439	Cover Plate (Teos)	88	943.835	Interior Cover Plate For Mcb (Ares)	27
943.440	Cover Plate (Teos)	88	943.836	Interior Cover Plate For Mcb (Ares)	27
943.441	Cover Plate (Teos)	88	943.837	Interior Cover Plate For Mcb (Ares)	27
943.442	Cover Plate (Teos)	88	943.838	Interior Cover Plate For Mcb (Ares)	27
943.443	Cover Plate (Teos)	88	943.839	Interior Cover Plate For Mcb (Ares)	27
943.444	Cover Plate (Teos)	88	943.840	Interior Cover Plate For Mcb (Ares)	27
943.445	Cover Plate (Teos)	88	943.841	Interior Cover Plate For Mcb (Ares)	27
943.446	Cover Plate (Teos)	88	943.842	Interior Cover Plate For Mcb (Ares)	27
943.447	Cover Plate (Teos)	88	943.843	Interior Cover Plate For Mcb (Ares)	27
943.448	Cover Plate (Teos)	88	943.844	Interior Cover Plate For Mcb (Ares)	27
943.449	Cover Plate (Teos)	88	943.845	Solid Interior Door (Ares).....	28
943.450	Cover Plate (Teos)	88	943.846	Solid Interior Door (Ares).....	28
943.451	Cover Plate (Teos)	88	943.847	Solid Interior Door (Ares).....	28
943.452	Cover Plate (Teos)	88	943.848	Solid Interior Door (Ares).....	28
943.453	Cover Plate (Teos)	88	943.849	Solid Interior Door (Ares).....	28
943.454	Cover Plate (Teos)	88	943.850	Solid Interior Door (Ares).....	28
943.455	Cover Plate (Teos)	88	943.851	Solid Interior Door (Ares).....	28
943.456	Cover Plate (Teos)	88	943.852	Solid Interior Door (Ares).....	28
943.457	Cover Plate (Teos)	88	943.853	Solid Interior Door (Ares).....	28
943.458	Cover Plate (Teos)	88	943.854	Solid Interior Door (Ares).....	28
943.459	Cover Plate (Teos)	88	943.855	Solid Interior Door (Ares).....	28
943.461	Bracket Pprofile For Cover Plate (Teos)	89	943.856	Interior Door For Mcb (Ares)	28
943.462	Bracket Pprofile For Cover Plate (Teos)	89	943.857	Interior Door For Mcb (Ares)	28
943.463	Bracket Pprofile For Cover Plate (Teos)	89	943.858	Interior Door For Mcb (Ares)	28
943.464	Bracket Pprofile For Cover Plate (Teos)	89	943.859	Interior Door For Mcb (Ares)	28
943.465	Mounting Plate Leaning System (Teos)	57	943.860	Interior Door For Mcb (Ares)	28
943.465	Mounting Plate Bracket (Teos)	94	943.862	Interior Door For Mcb (Ares)	28
943.801	Main Interior Support Rails (Ares).....	26	943.863	Interior Door For Mcb (Ares)	28
943.802	Main Interior Support Rails (Ares).....	26	943.864	Interior Door For Mcb (Ares)	28
943.803	Main Interior Support Rails (Ares).....	26	943.865	Interior Door For Mcb (Ares)	28
943.804	Main Interior Support Rails (Ares).....	26	943.866	Interior Door For Mcb (Ares)	28
943.805	Main Interior Support Rails (Ares).....	26	943.867	19" Swing Frame (Ares).....	29
943.806	Main Interior Support Rails (Ares).....	26	943.868	19" Swing Frame (Ares).....	29
943.807	Main Interior Support Rails (Ares).....	26	943.869	19" Swing Frame (Ares).....	29
943.810	Interior Mounting Rails (Ares)	26	943.870	Interior Cover Plates (Ares)	27
943.811	Interior Mounting Rails (Ares).....	26	943.871	Interior Cover Plates (Ares)	27

REF. NO.	PRODUCT DESCRIPTION	PAGE	REF. NO.	PRODUCT DESCRIPTION	PAGE
943.872	Interior Cover Plates (Ares)	27	944.463	Partial Mounting Plate (Teos).....	84
943.873	Interior Cover Plates (Ares)	27	944.464	Partial Mounting Plate (Teos).....	84
943.874	Interior Cover Plates (Ares)	27	944.465	Partial Mounting Plate (Teos).....	84
943.875	Interior Cover Plates (Ares)	27	944.466	Partial Mounting Plate (Teos).....	84
943.876	Interior Cover Plates (Ares)	27	944.467	Partial Mounting Plate (Teos).....	84
943.877	Interior Cover Plates (Ares)	27	944.468	Partial Mounting Plate (Teos).....	84
943.878	Interior Cover Plates (Ares)	27	944.469	Partial Mounting Plate (Teos).....	84
944.401	Rail Bracket (DT)	125	944.470	Partial Mounting Plate (Teos).....	84
944.402	Interior Mounting Rails (Ares).....	27	944.471	Partial Mounting Plate (Teos).....	84
944.403	Interior Mounting Rails (Ares).....	27	944.472	Partial Mounting Plate (Teos).....	84
944.404	Interior Mounting Rails (Ares).....	27	944.473	Partial Mounting Plate (Teos).....	84
944.405	Interior Mounting Rails (Ares).....	27	944.474	Partial Mounting Plate (Teos).....	84
944.406	Interior Mounting Rails (Ares).....	27	944.475	Partial Mounting Plate (Teos).....	84
944.420	Plug-In Rail Bracket (Teos)	77, 81, 82	944.476	Partial Mounting Plate (Teos).....	84
944.421	Plug-In Rail Bracket (Teos)	77, 81, 82	944.477	Partial Mounting Plate (Teos).....	84
944.422	Scissile Rail System (50X25 Cross-Section) (Teos).....	75, 81, 82	944.478	MCB Kit	83
944.423	Scissile Rail System (50X25 Cross-Section)(Teos).....	75	944.921	Rail Application (19") (HC).....	156
944.424	Scissile Rail System (50X25 Cross-Section)(Teos).....	75, 81, 82	944.926	Rail Application (19") (HC).....	156
944.425	Scissile Rail System (50X25 Cross-Section)(Teos).....	75, 81, 82	944.929	Rail Application (19") (HC).....	156
944.426	Scissile Rail System (50X25 Cross-Section)(Teos).....	75	944.930	Combination Profiles (19") (Teos)	95
944.427	Scissile Rail System (50X25 Cross-Section)(Teos).....	75	944.931	Combination Profiles (19") (Teos)	95
944.428	Scissile Rail System (50X25 Cross-Section)(Teos).....	75	944.932	Combination Profiles (19") (Teos)	95
944.429	Scissile Rail System (50X25 Cross-Section)(Teos).....	75	944.933	800 mm Width Adapter (19") (Teos)	95
944.430	Scissile Rail System (50X25 Cross-Section)(Teos).....	75	944.934	800 mm Width Adapter (19") (Teos)	95
944.431	Scissile Rail System (50X25 Cross-Section)(Teos).....	75	944.935	Swing Frame (19") (Teos)	96
944.432	Scissile Rail System (50X25 Cross-Section)(Teos).....	75, 81, 82	944.936	Swing Frame (19") (Teos)	96
944.433	Adjustable Rail Bracket (Type T) (Teos).....	78	944.937	Swing Frame (19") (Teos)	96
944.434	Adjustable Rail Bracket (Type L) (Teos).....	79	944.938	Swing Frame (19") (Teos)	96
944.435	Auxiliary Rail Bracket (Teos)	80	944.939	Swing Frame (19") (Teos)	96
944.436	Kit Bracket (Teos)	81, 82	944.940	Swing Frame (19") (Teos)	96
944.437	Duct Bracket(Teos).....	82, 83	944.941	Swing Frame (19") (Teos)	96
944.438	Scissile Width Rail (Teos)	83	944.942	Swing Frame (19") (Teos)	96
944.439	Scissile Width Rail (Teos)	83	944.943	Swing Frame (19") (Teos)	96
944.440	Scissile Width Rail (Teos)	83	944.944	Swing Frame (19") (Teos)	96
944.441	Scissile Width Rail (Teos)	83	944.961	Rail Application (19") (HC).....	156
944.442	Partial Mounting Plate (Teos).....	84	944.966	Rail Application (19") (HC).....	156
944.443	Partial Mounting Plate (Teos).....	84	944.969	Rail Application (19") (HC).....	156
944.444	Partial Mounting Plate (Teos).....	84	944.981	Rail Application (19") (HC).....	156
944.445	Partial Mounting Plate (Teos).....	84	944.986	Rail Application (19") (HC).....	156
944.446	Partial Mounting Plate (Teos).....	84	944.989	Rail Application (19") (HC).....	156
944.447	Partial Mounting Plate (Teos).....	84	945.200	Fixed And Movable Shelf (Teos)	96
944.448	Partial Mounting Plate (Teos).....	84	945.201	Fixed And Movable Shelf (Teos)	96
944.449	Partial Mounting Plate (Teos).....	84	945.202	Fixed And Movable Shelf (Teos)	96
944.450	Partial Mounting Plate (Teos).....	84	945.203	Fixed And Movable Shelf (Teos)	96
944.451	Partial Mounting Plate (Teos).....	84	945.204	Fixed And Movable Shelf (Teos)	96
944.452	Partial Mounting Plate (Teos).....	84	945.205	Fixed And Movable Shelf (Teos)	96
944.453	Partial Mounting Plate (Teos).....	84	945.266	Fixed Shelf (DT)	126
944.454	Partial Mounting Plate (Teos).....	84	945.268	Fixed Shelf (DT)	126
944.455	Partial Mounting Plate (Teos).....	84	945.286	Fixed Shelf (DT)	126
944.456	Partial Mounting Plate (Teos).....	84	945.288	Fixed Shelf (DT)	126
944.457	Partial Mounting Plate (Teos).....	84	945.400	Fixed And Movable Shelf (Teos)	96
944.458	Partial Mounting Plate (Teos).....	84	945.401	Fixed And Movable Shelf (Teos)	96
944.459	Partial Mounting Plate (Teos).....	84	945.402	Fixed And Movable Shelf (Teos)	96
944.460	Partial Mounting Plate (Teos).....	84	945.403	Fixed And Movable Shelf (Teos)	96
944.461	Partial Mounting Plate (Teos).....	84	945.404	Fixed And Movable Shelf (Teos)	96
944.462	Partial Mounting Plate (Teos).....	84	945.405	Fixed And Movable Shelf (Teos)	96

REF. NO.	PRODUCT DESCRIPTION	PAGE	REF. NO.	PRODUCT DESCRIPTION	PAGE
945.466	Movable Shelf (DT)	126	962.085	Flat Package Top-Bottom H2:200mm (DT)	115
945.468	Movable Shelf (DT)	126	962.086	Flat Package Top-Bottom H2:200mm (DT)	115
945.486	Movable Shelf (DT)	126	962.088	Flat Package Top-Bottom H2:200mm (DT)	117
945.488	Movable Shelf (DT)	126	962.104	Flat Package Top-Bottom H2:200mm (DT)	117
950.100	Swing Handle Lock (Nacre)	209	962.105	Flat Package Top-Bottom H2:200mm (DT)	117
950.101	Swing Handle Lock (Nacre)	209	962.106	Flat Package Top-Bottom H2:200mm (DT)	117
950.104	Swing Handle Lock (Different Insert)	98, 209	962.108	Flat Package Top-Bottom H2:200mm (DT)	117
950.105	Swing Handle Lock (Different Insert)	98, 209	962.124	Flat Package Top-Bottom H2:200mm (DT)	117
950.106	Swing Handle Lock (Different Insert)	98, 209	962.125	Flat Package Top-Bottom H2:200mm (DT)	117
950.107	Swing Handle Lock (Different Insert)	98, 209	962.126	Flat Package Top-Bottom H2:200mm (DT)	117
950.108	Cover Plate Hinge (Teos)	89	962.128	Flat Package Top-Bottom H2:200mm (DT)	117
950.109	Cable Protector (Teos)	89	964.400	Mounting Plate Move Rails (DT)	115,116,117
950.200	Swing Handle Lock (Ral 7035)	209	964.500	Mounting Plate Move Rails (DT)	115,116,117
951.100	Spring Lock	208	964.600	Mounting Plate Move Rails (DT)	115,116,117
951.102	Mini Handled Lock	208	964.800	Mounting Plate Move Rails (DT)	117
951.104	Plastic Handle Lock	208	970.300	Combination Angle	212
951.200	Metal Sprig Lock	208	971.100	Wall Bracket (Ares)	31,212
951.205	Handle Lock	31, 208	982.202	Roof Type Ventilation Fan	101, 187
951.211	Special Lock Triangle Insert	31, 210	982.203	Roof Type Ventilation Fan	101, 187
951.212	Special Lock Square Insert	31, 210	983.011	Fan Thermostate	195
952.100	Spare Parts (Ares)	31, 210	983.012	Heater Thermostate	195
952.101	Swing Lock Keys	98, 210	983.013	Hygrostat	195
952.200	Special Keys	31, 210	983.106	Air Filters	102, 186
952.200	Swing Lock Keys (Teos)	98	983.107	Air Filters	102, 186
952.201	Swing Lock Keys	31, 98, 210	983.108	Air Filters	186
952.300	Keys (Encrypted)	210	983.109	Air Filters	186
952.301	Swing Lock Keys	98, 210	983.110	Air Filters	102, 186
961.054	Flat Package Top-Bottom H2:100mm (DT)	118	983.111	Air Filters	186
961.055	Flat Package Top-Bottom H2:100mm (DT)	118	983.121	Air Filters With Rain Canopy (HC)	156
961.056	Flat Package Top-Bottom H2:100mm (DT)	118	983.122	Air Filters With Rain Canopy (HC)	156
961.058	Flat Package Top-Bottom H2:100mm (DT)	118	983.131	Fan With Filters (Teos)	102, 186
961.064	Flat Package Top-Bottom H2:100mm (DT)	115	983.141	Fan With Filters (Teos)	102, 186
961.065	Flat Package Top-Bottom H2:100mm (DT)	115	983.151	Fan With Filters (Teos)	102, 186
961.066	Flat Package Top-Bottom H2:100mm (DT)	115	983.331	Fan With Filters	186
961.068	Flat Package Top-Bottom H2:100mm (DT)	117	983.341	Fan With Filters	186
961.084	Flat Package Top-Bottom H2:100mm (DT)	115	983.351	Fan With Filters	186
961.085	Flat Package Top-Bottom H2:100mm (DT)	115	984.100	Enclosure Heaters	194
961.086	Flat Package Top-Bottom H2:100mm (DT)	115	984.101	Enclosure Heaters With Fan	194
961.088	Flat Package Top-Bottom H2:100mm (DT)	117	984.200	Enclosure Heaters	194
961.104	Flat Package Top-Bottom H2:100mm (DT)	117	984.300	Enclosure Heaters	194
961.105	Flat Package Top-Bottom H2:100mm (DT)	117	984.400	Enclosure Heaters	194
961.106	Flat Package Top-Bottom H2:100mm (DT)	117	984.500	Enclosure Heaters	194
961.108	Flat Package Top-Bottom H2:100mm (DT)	117	984.600	Enclosure Heaters	194
961.124	Flat Package Top-Bottom H2:100mm (DT)	117	984.700	Enclosure Heaters	194
961.125	Flat Package Top-Bottom H2:100mm (DT)	117	990.100	Mcb Rail (H15) (Ares)	31
961.126	Flat Package Top-Bottom H2:100mm (DT)	117	990.100	Terminal/Mcb Rail	211
961.128	Flat Package Top-Bottom H2:100mm (DT)	117	990.101	Mcb Blank Plate	31, 211
962.054	Flat Package Top-Bottom H2:200mm (DT)	118	990.102	Terminal/Mcb Rail	82, 83, 211
962.055	Flat Package Top-Bottom H2:200mm (DT)	118	990.200	Group Power Sockets (Standard)	206
962.056	Flat Package Top-Bottom H2:200mm (DT)	118	990.201	Group Power Sockets (Standard)	206
962.058	Flat Package Top-Bottom H2:200mm (DT)	118	990.202	Group Power Sockets (Standard)	206
962.064	Flat Package Top-Bottom H2:200mm (DT)	115	990.203	Group Power Sockets (Standard)	206
962.065	Flat Package Top-Bottom H2:200mm (DT)	115	990.204	Group Power Sockets (Standard)	206
962.066	Flat Package Top-Bottom H2:200mm (DT)	115	990.205	Group Power Sockets (Standard)	206
962.068	Flat Package Top-Bottom H2:200mm (DT)	117	990.206	Group Power Sockets (Standard)	206
962.084	Flat Package Top-Bottom H2:200mm (DT)	115	990.207	Group Power Sockets (Standard)	206

REF. NO.	PRODUCT DESCRIPTION	PAGE	REF. NO.	PRODUCT DESCRIPTION	PAGE
990.208	Group Power Sockets (With Fuse).....	206	997.113	Door Rail For Cable Duct (Teos)	98
990.209	Group Power Sockets (With Fuse).....	206	997.114	Door Rail For Cable Duct (Teos)	98
990.210	Group Power Sockets (With Fuse).....	206	997.115	Door Rail For Cable Duct (Teos)	98
990.211	Group Power Sockets (With Fuse).....	206	997.116	Door Rail For Cable Duct (Teos)	98
990.212	Group Power Sockets (With Fuse).....	206	997.118	Door Rail For Cable Duct (Teos)	98
990.213	Group Power Sockets (With Fuse).....	206	997.120	Door Rail (DT).....	128
990.214	Group Power Sockets (With Fuse).....	206	997.121	Cable Clamp Rail.....	29
990.215	Group Power Sockets (With Fuse).....	206	997.122	Cable Clamp Rail.....	29
990.216	Group Power Sockets (With Switch).....	207	997.123	Cable Clamp Rail.....	29
990.217	Group Power Sockets (With Switch).....	207	997.150	Door Rail (DT).....	128
990.218	Group Power Sockets (With Switch).....	207	997.160	Door Rail (DT).....	128
990.219	Group Power Sockets (With Switch).....	207	997.180	Door Rail (DT).....	128
990.220	Group Power Sockets (With Switch).....	207	997.201	Knitted Earthing Cable (Ares)	30
990.221	Group Power Sockets (With Switch).....	207	997.203	Knitted Earthing Cable (Ares)	30
990.222	Group Power Sockets (With Switch).....	207	997.204	Knitted Earthing Cable (Ares)	30
990.223	Group Power Sockets (With Switch).....	207	997.205	Knitted Earthing Cable (Ares)	30
991.200	Knitted Earthing Cable.....	211	997.512	Intermediate Mounting Plate (DT)	115
991.201	Knitted Earthing Cable.....	31,211	997.516	Intermediate Mounting Plate (DT)	116
991.202	Knitted Earthing Cable.....	97,211	997.518	Intermediate Mounting Plate (DT)	117
991.211	Knitted Earthing Cable.....	211	997.520	Intermediate Mounting Plate (DT)	118
992.100	Unit Combination Gasket	105, 211	997.522	Intermediate Mounting Plate (DT)	119
993.105	Self Tapping Screw.....	31, 214	998.100	Cable Clamp Rail (Clip-On) (Teos)	92
993.106	Self-Drilling Screw	214	998.120	Cable Clamp Rail (Clip-On) (Teos)	92
993.107	M5x15 Hexagon Self Tapping Screw.....	214	998.400	Cable Clamp Rail (Clip-On) (Teos)	92
993.108	M12 X 30 Screw And Washer Set	215	998.510	Heavy Equipment Profile (Teos).....	76
993.322	M6 Stopper Screw	215	998.540	Heavy Equipment Profile (Teos).....	76
993.420	M6 Screw Nut Set.....	215	998.560	Heavy Equipment Profile (Teos).....	76
994.160	M6 Cage Nut	214	998.570	Heavy Equipment Profile (Teos).....	76
994.170	Hide Nut.....	97, 214	998.580	Heavy Equipment Profile (Teos).....	76
994.400	Plastic Plan Pocket A4	213	998.600	Cable Clamp Rail (Clip-On) (Teos)	92
994.500	Plastic Plan Pocket B5	213	998.640	Auxiliary Rail (Teos)	76
994.610	Metal Plan Pocket (DT)	128	998.650	Auxiliary Rail (Teos)	76
994.620	Metal Plan Pocket (DT)	128	998.660	Auxiliary Rail (Teos)	76
994.650	Metal Plan Pocket (DT)	128	998.680	Auxiliary Rail (Teos)	76
994.660	Metal Plan Pocket (DT)	128	998.700	Cable Clamp Rail (Clip-On) (Teos)	92
994.680	Metal Plan Pocket (DT)	128	998.800	Cable Clamp Rail (Clip-On) (Teos)	92
994.704	Led Light Enclosure Lamp (Screwed Type)	98	ETE20 0022 07000	Top Air-Conditioners	189
994.706	Metal Plan Pocket (Teos)	98	ETE41 0022 07000	Top Air-Conditioners	189
994.707	Metal Plan Pocket (Teos)	98	EVE04 0022 07000	Wall-Mounted Air-Conditioners	188
994.708	Metal Plan Pocket (Teos)	98	EVE11 0022 07000	Wall-Mounted Air-Conditioners	188
994.710	Metal Plan Pocket (Teos)	98	EVE14 0022 07000	Wall-Mounted Air-Conditioners	188
994.711	Metal Plan Pocket (Teos)	98	EVE20 0022 07000	Wall-Mounted Air-Conditioners	188
994.712	Metal Plan Pocket (Teos)	98	EVE28 0022 07000	Wall-Mounted Air-Conditioners	188
994.718	Metal Plan Pocket (Teos)	98	EVO00700 220	Wall-Mounted Outdoor Air-Conditioners.....	190
995.501	Castor Set 50 mm and 80 mm.....	212	EVO1400 220	Wall-Mounted Outdoor Air-Conditioners.....	190
995.502	Castor Set 50 mm and 80 mm.....	212	EVO2000 220	Wall-Mounted Outdoor Air-Conditioners.....	190
995.510	M12 Leveling Feet (Teos).....	91	EVO4100 220	Wall-Mounted Outdoor Air-Conditioners.....	190
996.200	Spray Retouch Paint Ral 7035	213	EXW15 00 220	Air-Water Heat Exchangers (Indoor)	193
996.400	Stainless Steel Mainence Spray.....	213	EXW50 00 220	Air-Water Heat Exchangers (Indoor)	193
997.104	Door Rail For Cable Duct (Teos)	98	EXWA5 00 220	Air-Water Heat Exchangers (Indoor)	193
997.105	Cable Clamp Rail (DT)	121	EXWB0 00 220	Air-Water Heat Exchangers (Indoor)	193
997.106	Cable Clamp Rail (DT)	121	XVA35 00 320	Air-Air Heat Exchangers (Indoor)	191
997.107	Cable Clamp Rail (DT)	121	XVA80 00 320	Air-Air Heat Exchangers (Indoor)	191
997.108	Cable Clamp Rail (DT)	121	XVH60 00 3201 000	Air-Air Heat Exchangers (Outdoor)	192
997.110	Door Rail (DT).....	128	XVHA0 00 3201 000	Air-Air Heat Exchangers (Outdoor)	192
997.111	Door Rail For Cable Duct (Teos)	98	XVHA5 00 3201 000	Air-Air Heat Exchangers (Outdoor)	192
997.112	Door Rail For Cable Duct (Teos)	98			

PRODUCT DESCRIPTION	PAGE	PRODUCT DESCRIPTION	PAGE
A		E	
Adapter 800 mm Width (19") (Teos)	95	Edge Extension For Mounting Plate (Teos)	57, 94
Adapter Corner Enclosure (DT)	131	Enclosure Heaters	194
Adjustable Bracket (Teos)	105	F	
Adjustable Busbar Support.....	162	Fan Thermostate	195
Adjustable Busbar Support (Metal Supported)	164	Fan With Filters.....	102, 186
Adjustable Flat Cusbar Supports	165	FBC Connector Busbar Thickness 10 mm.....	173
Adjustable Rail Bracket (Type L (Teos).....	79	FC Busbar Clamp.....	172
Adjustable Rail Bracket (Type T) (Teos).....	78	Fixed And Movable Shelf (Teos)	96
Air Filters	102, 186	Fixed Plinth (Teos)	90
Air Filters	102, 186	Fixed Shelf.....	126, 139
Air Filters	102, 186	Fixed Shelf (19") (RC).....	159
Air Filters With Rain Canopy (HC).....	156	Fixing Bracket (Teos).....	105
Air-Air Heat Exchangers (Indoor).....	191	Flat Enclosure Lamp	31, 204
Air-Air Heat Exchangers (Outdoor)	192	Flat Package Main Body (DT).....	115, 116, 117, 118, 119
Air-Water Heat Exchangers (Indoor)	193	Flat Package Main Body (Glazed Door)(DT).....	116, 117, 118, 119
Angular Brackets (Teos).....	105	Flat Package Top-Bottom H2:100mm (DT)	115, 116, 117, 118, 119
Angular Enclosure Lamp.....	204	Flat Package Top-Bottom H2:200mm (DT)	115, 116, 117, 118, 119
Assembled Enclosure H2:100mm (DT)	115, 116, 117, 118, 119	Flexible Copper Busbars	170
Assembled Stainless Steel Enclosure (DT)	149	Foam Rubber Cable Entry System (Teos)	92
Auxiliary Rail (Teos)	76	FS Spacer Clamp	171
Auxiliary Rail Bracket (Teos)	80	G	
B		Gland Plate (DT)	121
Base System/ Gland Plate (Teos)	66	Gland Plate With Form Isolation.....	29
Basic Control Panel	141	Glazed Door (DT).....	127
Baying Kit (Teos).....	58, 69	Glazed Door With Mounting Plate (Ares)	24
BC Ribbed-Steel Busbar Clamp	172	Glazed Door Without Mounting Plate (Ares)	25
Blank Panel (19") (RC).....	159	Glazed Front Door (Teos)	55, 69
Bracket Profile For Cover Plate (Teos)	89	Group Power Sockets (Standard)	206
Brushed Cable Entry (DT)	121	Group Power Sockets (With Switch).....	207
Brushed Cable Entry System(Teos)	92	H	
Busbar Support Kit (DT).....	123	Handle Lock	31, 208
Button Protection Glass (DT).....	128	HCBC High-Current Busbar Clamp	172
C		Heater Thermostate.....	195
Cable Clamp Rail.....	29	Heavy Equipment Kit (DT).....	123
Cable Clamp Rail (DT).....	121	Heavy Equipment Profile (Teos).....	76
Cable Clamp Rail (Clip-On) (Teos)	92	Hide Nut.....	97, 214
Cable Protector (Teos)	89	Hygrostat.....	195
Castor Set 50 mm and 80 mm	212	I	
Combination Angle	105, 212	Interior Cover Plate For Mcb (Ares)	27
Combination Profiles (19") (Teos)	95	Interior Cover Plates (Ares).....	27
Compact Busbar Support.....	166	Interior Door For Mcb (Ares).....	28
Cont Kit	174	Interior Mounting Rails (Ares)	26, 27
Control Panel With Console.....	141	Intermediate Mounting Plate (DT)	115, 116, 117, 118, 119
Corner Enclosure (Adapter Part) (Teos)	107	Intermediate Mounting Plate (Teos)	56
Corner Enclosure (Panel Set) (Teos)	107	K	
Cover Plate (Teos).....	88	Keys.....	210
Cover Plate Frame (DT).....	124	Keys (Encrypted)	210
Cover Plate Frame Set (Teos).....	87	Kit Bracket (Teos).....	81, 82
Cover Plate Hinge (Teos)	89	KMT-1000 And Kmt-2000 Stainless Steel Control Desk.....	150
D			
Depth Rail (DT)	122		
Dividing Kit (DT)	123		
Dividing Kit (Divider Door) (DT)	123		
Dividing Panel (Teos)	95		
Door Lamp Switch	99, 205		

PRODUCT DESCRIPTION	PAGE
KMT-1000 Control Desk	135
KMT-2000 Control Desk	136
KMT-3000 Control Desk	137
Knitted Earthing Cable.....	30, 31, 97, 211
KT Stainless Steel Terminal Boxes	146
L	
Lamp 230V – 8W (Ares)	31, 204
Lamp Rail	100, 129
Led Light Enclosure Lamp (Magnetic Type)	99, 204
Led Light Enclosure Lamp (Screwed Type)	98, 99, 204
M	
M12 Leveling Feet (Teos)	91
M12 X 30 Screw And Washer Set.....	215
M5x15 Hexagon Self Tapping Screw	214
M6 Cage Nut.....	214
M6 Screw Nut Set	215
M6 Stopper Screw	215
Main Interior Support Rails (Ares).....	26
MBC Hole Cutouted Cover Plates (DT)	124
MCB Blank Plate	31, 211
MCB Kit.....	83
MCB Rail (H15) (Ares)	31
Metal Plan Pocket (Teos)	98
Metal Plan Pocket (DT)	128
Metal Sprig Lock	208
Mini Handled Lock.....	208
Mounting Plate	15, 56, 115, 116, 117, 118, 119, 139, 151, 157
Mounting Plate Bracket (Teos)	94
Mounting Plate In 2,00 mm Sheet Thickness (Teos)	93
Mounting Plate Leaning System (Teos).....	57
Mounting Plate Move Rails (DT)	115, 116, 117
Movable Shelf.....	139
Movable Shelf (19") (RC).....	159
Movable Shelf (DT).....	126
O	
Outer Environment Cabinets (HC)	155
P	
Panels For Adapter Corner Enclosure (DT).....	131
Partial Cover Plate (DT).....	124
Partial Mounting Plate (DT).....	122
Partial Mounting Plate (Teos).....	84
Partical Inside Cover (DT).....	124
PC Cabinet.....	139
PC Stainless Steel Pc Cabinet	151
Plastic Gland Plate (DM)	17
Plastic Handle Lock	208
Plastic Plan Pocket.....	213
Plinth (Ares)	29
Plinth (H100 And H200 mm).....	156, 120
Plinth Corner Part (Teos)	53, 67
Plinth For Adapter Corner Enclosure (DT).....	131
Plinth For Outdoor Use	30
Plinth Front Covers (Teos).....	53, 67
Plinth Side Covers (Teos)	53, 67
Plug-In Compact	168
Plug-In Rail Bracket (Teos)	77, 81, 82
Profile Feet (HC).....	156

PRODUCT DESCRIPTION	PAGE
Q	
QCC Clamp.....	174
R	
Rack Cabinet (19") (RC).....	159
Rail Application (19") (HC).....	156
Rail Bracket (DT).....	125
Rain Canopy.....	30
Rear Panel Group (Teos).....	54, 68
RFS Support	171
Roof Type Ventilation Fan	101, 187
S	
Scissile Rail System (50X25 Cross-Section) (Teos)	75, 81, 82
Scissile Width Rail (Teos)	83
Self Tapping Screw	31, 214
Side Panels	54, 68, 115, 116, 117, 118, 119
Solid Door (DT)	127
Solid Door With Mounting Plate (Ares)	22, 23
Solid Front Door (Teos)	55, 69
Solid Interior Door (Ares).....	28
Spare Parts (Ares).....	31
Special Keys	31, 210
Special Lock Square Insert	31, 210
Special Lock Triangle Insert	31, 210
Spray Retouch Paint Ral 7035.....	213
Spring Lock.....	208
Stainless Steel Base H200mm Plinth (DT).....	149
Stainless Steel Fixed Shelf	151
Stainless Steel Mainenace Spray	213
Stainless Steel Movable Shelf	151
Stainless Steel Side Cover (DT).....	149
Stainless Steel Wall-Mounted Enclosures (DM)	147
Swing Frame (19")	29, 96
Swing Handle Lock (Ral 7035).....	209
Swing Handle Lock (Different Insert).....	98, 209
Swing Handle Lock (Nacre).....	209
Swing Lock Keys	31, 98, 210
Switch Bracket (Teos)	100
T	
Terminal Boxes (KT).....	15
Terminal/Mcb Rail	211
Top / Bottom Group (Teos)	52
Top / Bottom Group (Without Gland Plate) (Teos).....	66
Top Air-Conditioners	189
Top Angle Iron Combination (Teos).....	106
U	
UFS Kit.....	171
Unit Combination Gasket.....	105, 211
V	
Vertical Frame Group (Teos)	52, 67
Vertical Rail (DT).....	122
W	
Wall Bracket (Ares)	31, 212
Wall Mounted Enclosures (DM)	17
Wall-Mounted Air-Conditioners	188
Wall-Mounted Outdoor Air-Conditioners	190



TEKPAN INDUSTRIAL ENCLOSURES & CABINETS

Ankara Asfalt 14.km İstiklal Mh. 17.Sk. No:8

Ulucak / Kemalpaşa / İzmir

Phone : +90 232 877 18 77 - 877 13 46 / 47

Fax : +90 232 877 13 48

E-mail : info@tekpan.com.tr

Export Dept.: export@tekpan.com.tr



www.tekpan.com.tr

