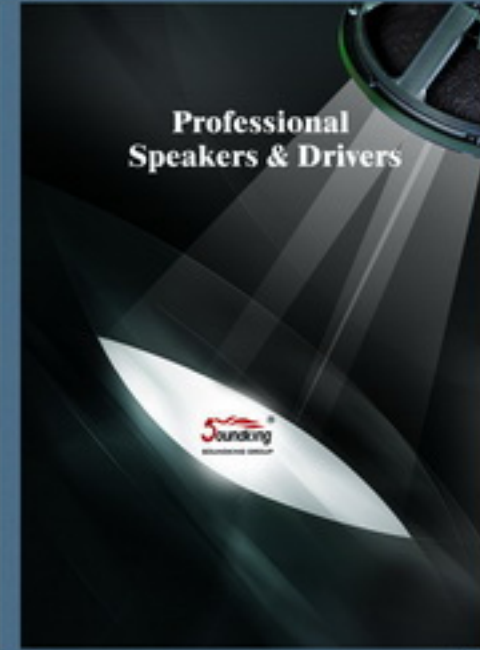
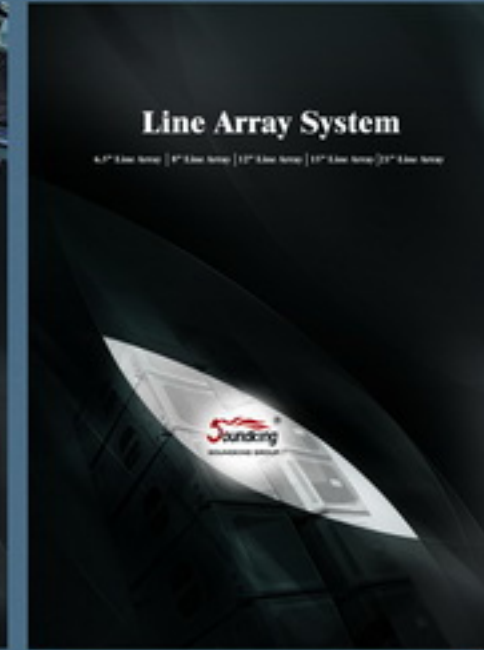

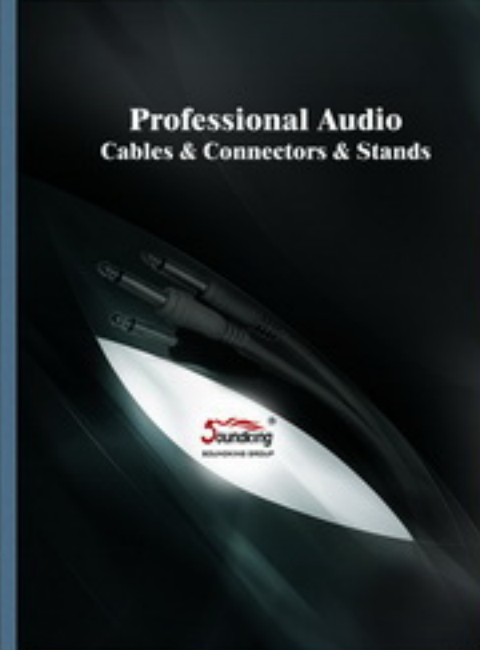

 <p>Cinema Audio System</p>	 <p>Professional Speakers & Drivers</p>	 <p>Line Array System 6.7" Line Array 8" Line Array 10" Line Array 12" Line Array 15" Line Array</p>
<p>NO.1 Cinema Audio System</p>	<p>NO.2 Professional Speakers & Drivers</p>	<p>NO.3 Line Array System</p>
 <p>Pro Audio System</p>	 <p>Professional Audio Cables & Connectors & Stands</p>	 <p>Professional Show Instrument Flight case & Trusses</p>
<p>NO.4 Pro Audio System</p>	<p>NO.5 Professional Audio Cables & Connectors & Stands</p>	<p>NO.6 Professional Show Instrument</p>

Professional Speakers & Drivers



Soundking[®]
SOUNDKING GROUP

SOUNDKING GROUP CO.,LTD.

818# Chengxin Road Yinzhou Investment Industry Park, Ningbo, China

Tel: +86-574 88235195 88237437

Fax: +86-574 88235763 P.C.: 315104

www.soundking.com Email: sales@soundking.com

**PROFESSIONAL
SPEAKERS & DRIVERS CONTENTS**

Compression Drivers	1~20
Mediant Speakers.....	21~24
Woofers	25~65
Monitor Speakers	66~68
Coaxial Speakers	69~73
Bass Speakers	74~78
Guitar Amp Speakers	79~82



N34

Compression Drivers



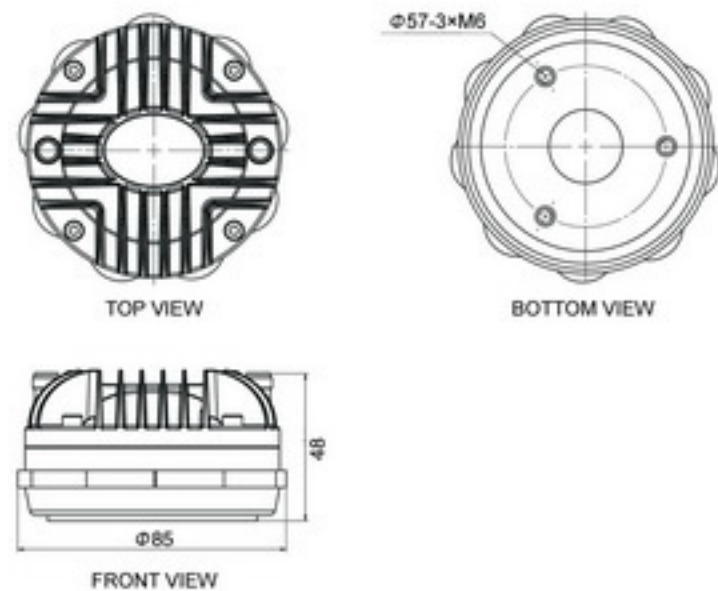
● Button-shaped NdFeB Magnets line; T-iron core pole with short-circuit ring design, decreases third harmonic distortion; titanium dome and PEEK composite materials diaphragm; aluminum flat wire voice coil; creatively designed aluminum cover, maximizes heat-transfer area. Its design is elegant, sound quality is full and bright, performance is stable.

SPECIFICATIONS

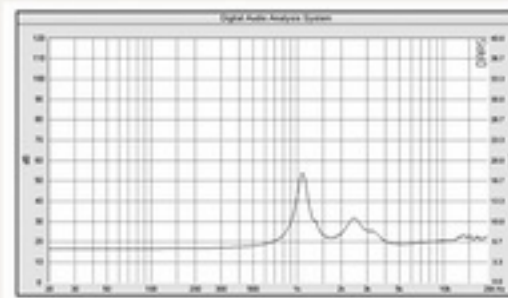
Throat Diameter	1 Inch
Sensitivity(1m/1w)	108dB
Nominal impedance	8Ω
Power Handling	30W
Frequency Range	800Hz-18kHz
Voice Coil Diameter	1.35 Inch
Diaphragm Material	Peek
Net Weight	0.75kg



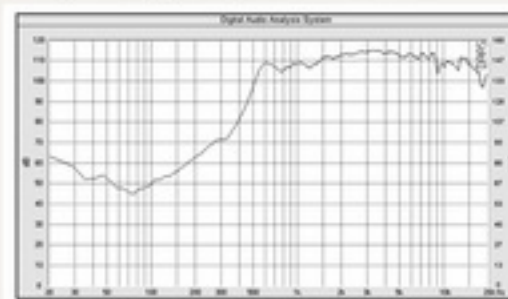
VIEW DRAWING



Impedance Curve



Frequency response Curve



N44

Compression Drivers



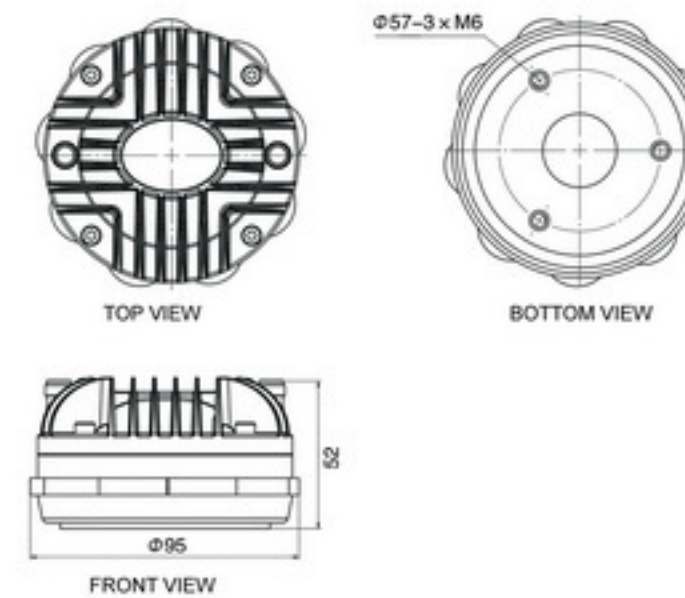
● Button-shaped NdFeB Magnets line; T-iron core pole with short-circuit ring design, decreases third harmonic distortion; titanium dome and PEEK composite materials diaphragm; aluminum flat wire voice coil; creatively designed aluminum cover, maximizes heat-transfer area. Its design is elegant, sound quality is full and bright, performance is stable.

SPECIFICATIONS

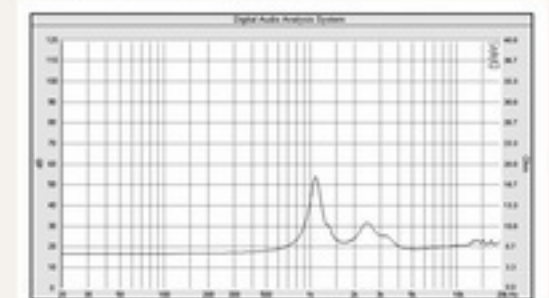
Throat Diameter	1 Inch
Sensitivity(1m/1w)	109dB
Nominal Impedance	8Ω
Power Handling	40W
Frequency Range	800Hz-20kHz
Voice Coil Diameter	1.75 Inch
Diaphragm Material	Peek
Net Weight	1.22kg



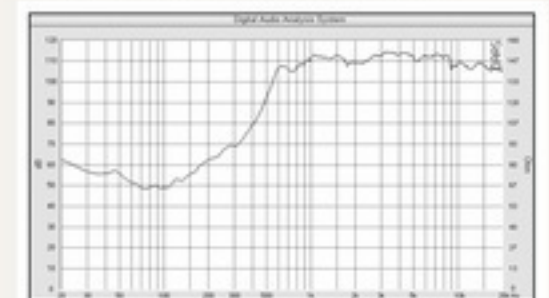
VIEW DRAWING



Impedance Curve



Frequency response Curve



N74

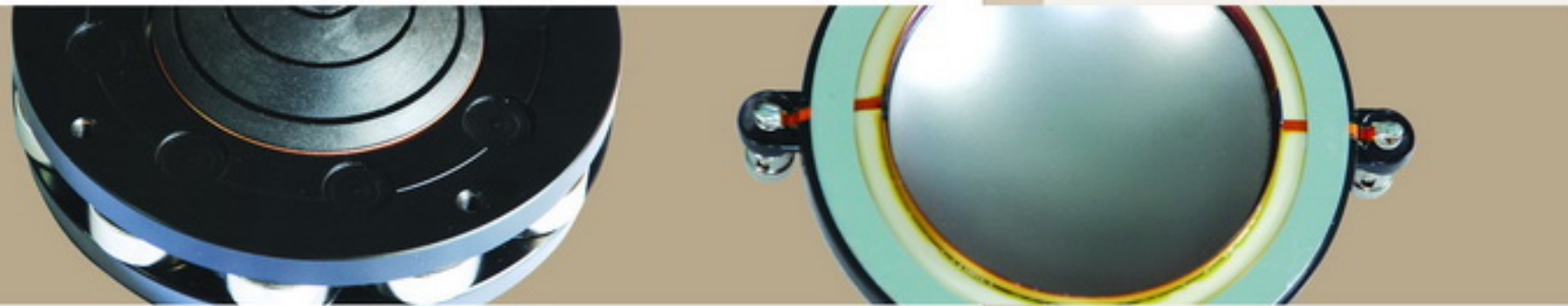
Compression Drivers



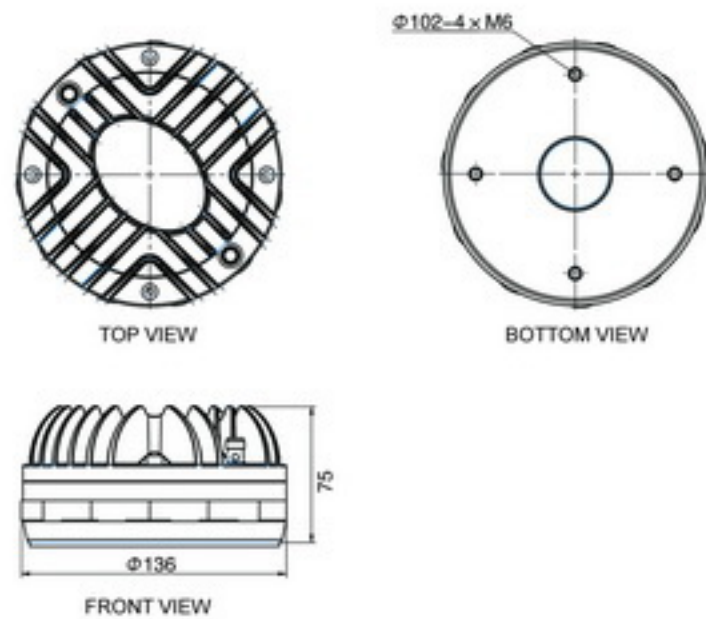
● Button-shaped NdFeB Magnets line; T-iron core pole with short-circuit ring design, decreases third harmonic distortion; titanium dome and PEEK composite materials diaphragm; aluminum flat wire voice coil; creatively designed aluminum cover, maximizes heat-transfer area. Its design is elegant, sound quality is full and bright, performance is stable.

SPECIFICATIONS

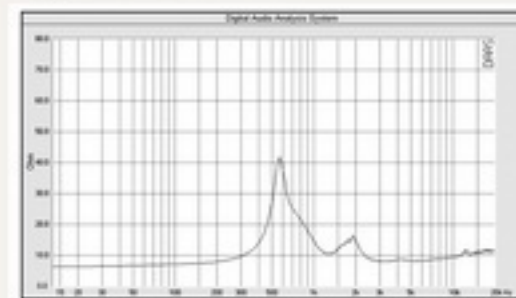
Throat Diameter	1.4 Inch
Sensitivity(1m/1w)	108dB
Nominal impedance	8Ω
Power Handling	80W
Frequency Range	800Hz-18kHz
Voice Coil Diameter	2.93 Inch
Diaphragm Material	Titanium/Peek
Net Weight	0.75kg



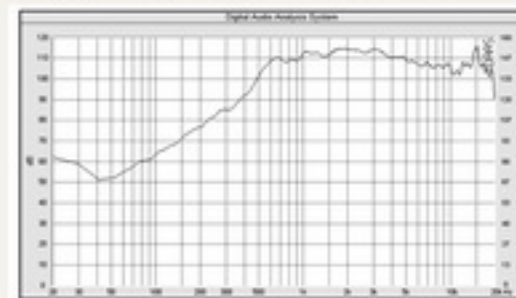
VIEW DRAWING



Impedance Curve



Frequency response Curve



D34

Compression Drivers



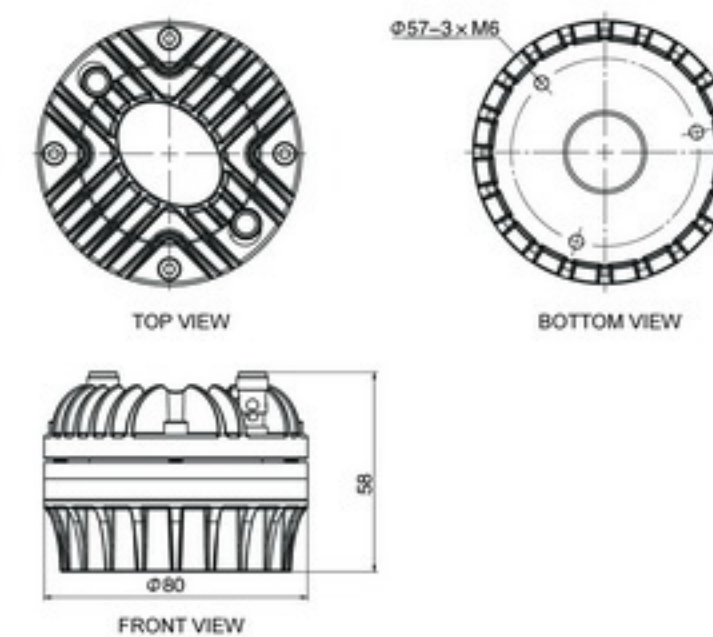
● Nd magnetic compression horn HF driver; excellent performance; Ti or compound diaphragm, aluminum flat wire voice coil; N38SH Nd magnetic configuration and built-in short circuit ring to reduce 3rd harmonic distortion; PC to help design, to improve HF performance, to boost up & optimize tone.

SPECIFICATIONS

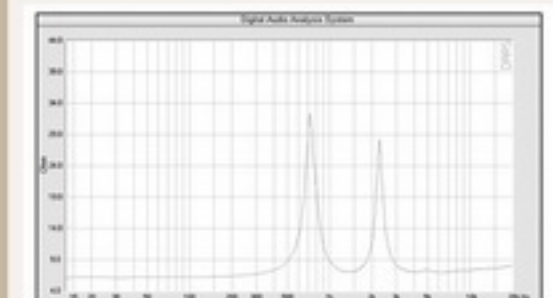
Throat Diameter	1 Inch
Sensitivity(1m/1w)	108dB
Nominal Impedance	8Ω
Power Handling	30W
Frequency Range	800Hz-20kHz
Voice Coil Diameter	1.35 Inch
Diaphragm Material	Titanium
Net Weight	0.9kg



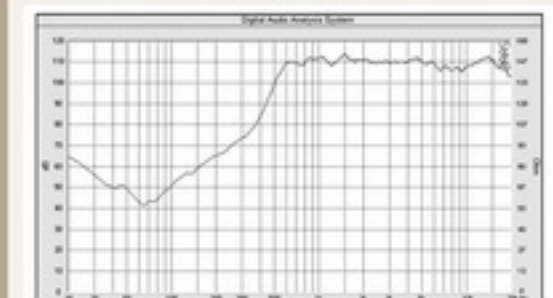
VIEW DRAWING



Impedance Curve



Frequency response Curve



FG1206H

Guitar Speakers



SPECIFICATIONS

Nominal Diameter	12 Inch
Sensitivity(1m/1w)	99dB
Nominal Impedance	8Ω
Voice Coil Diameter	2 Inch
Power Handling	80W
Frequency Range	80Hz-5.5kHz
Net Weight	2.0kg

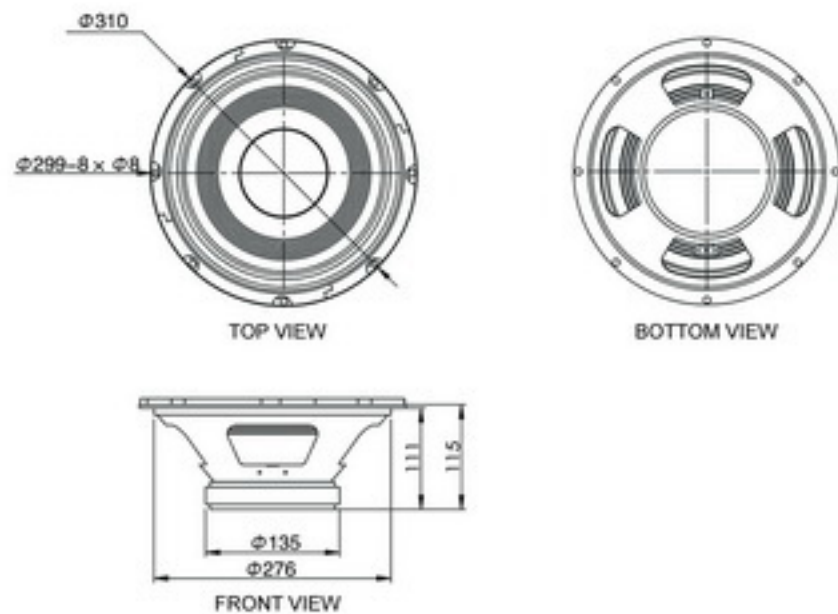
Key Parameters

Fs	82 Hz
Qts	0.82
Vas	31L

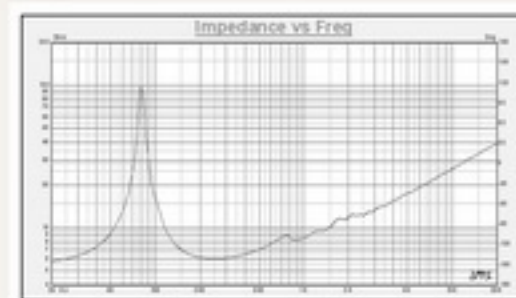
10" FG1009H/FG1010G and 12" FG1206H, FG1208H-1 are the representative products of Soundking guitar speakers. These guitar speakers have bright metal tone which can definitely inspire instrument-fan's passion.



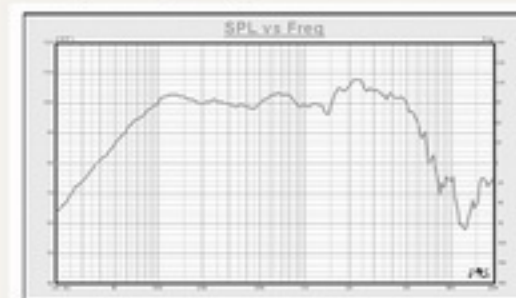
VIEW DRAWING



Impedance Curve



Frequency response Curve



FG1208H-1

Guitar Speakers



SPECIFICATIONS

Nominal Diameter	12 Inch
Sensitivity(1m/1w)	100dB
Nominal Impedance	16Ω
Voice Coil Diameter	2 Inch
Power Handling	80W
Frequency Range	60Hz-6kHz
Net Weight	2.4kg

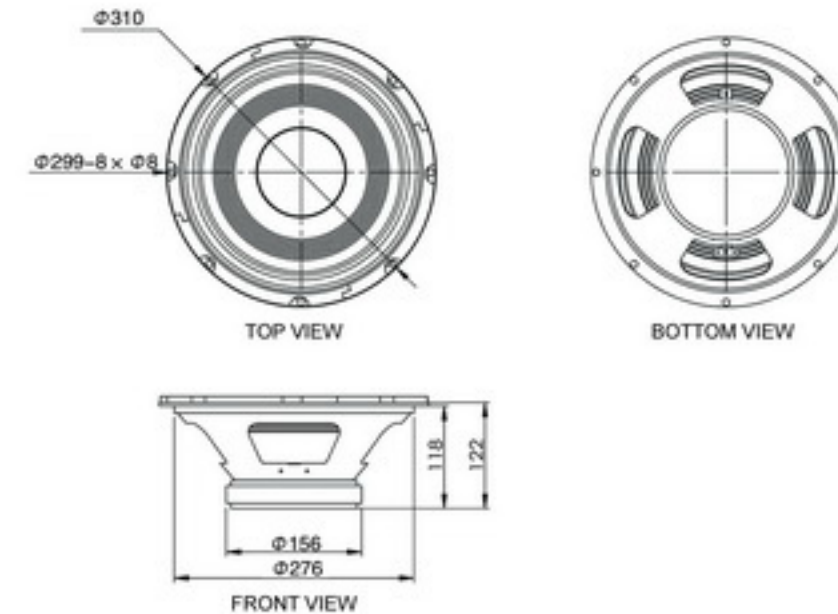
Key Parameters

Fs	80 Hz
Qts	0.65
Vas	50L

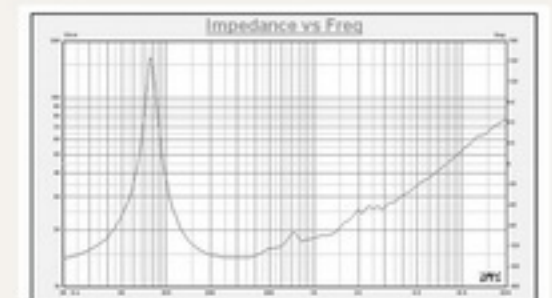
10" FG1009H/FG1010G and 12" FG1206H, FG1208H-1 are the representative products of Soundking guitar speakers. These guitar speakers have bright metal tone which can definitely inspire instrument-fan's passion.



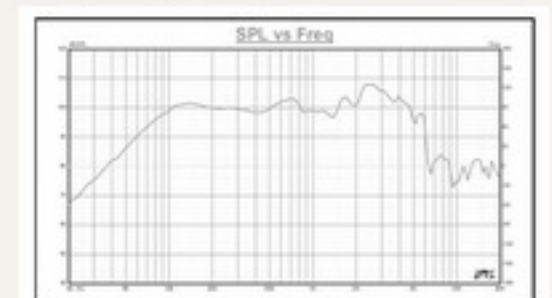
VIEW DRAWING



Impedance Curve



Frequency response Curve



D44

Compression Drivers



● Nd magnetic compression horn HF driver; excellent performance; Ti or compound diaphragm, aluminum flat wire voice coil; N38SH Nd magnetic configuration and built-in short circuit ring to reduce 3rd harmonic distortion; PC to help design, to improve HF performance, to boost up & optimize tone.

SPECIFICATIONS

Throat Diameter	1 Inch
Sensitivity(1m/1w)	110dB
Nominal Impedance	8Ω
Power Handling	40W
Frequency Range	800Hz-20kHz
Voice Coil Diameter	1.75 Inch
Diaphragm Material	Titanium
Net Weight	1.1kg

D44S

Compression Drivers



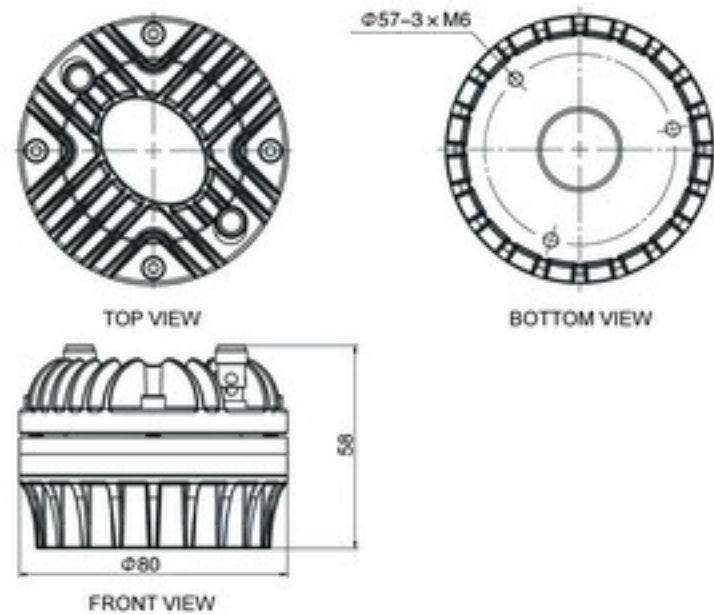
● Nd magnetic compression horn HF driver; excellent performance; Ti or compound diaphragm, aluminum flat wire voice coil; N38SH Nd magnetic configuration and built-in short circuit ring to reduce 3rd harmonic distortion; PC to help design, to improve HF performance, to boost up & optimize tone.

SPECIFICATIONS

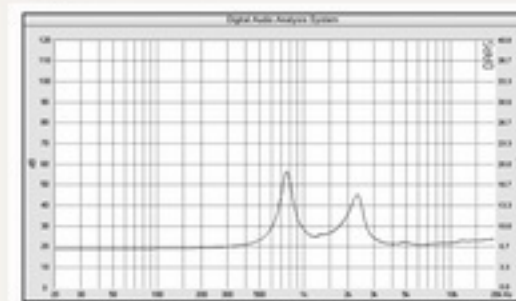
Throat Diameter	1 Inch
Sensitivity(1m/1w)	110dB
Nominal Impedance	8Ω
Power Handling	40W
Frequency Range	800Hz-20kHz
Voice Coil Diameter	1.75 Inch
Diaphragm Material	Titanium
Net Weight	0.90kg



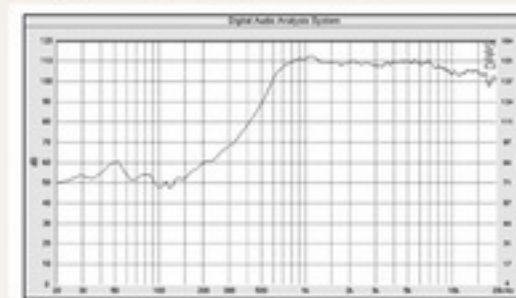
VIEW DRAWING



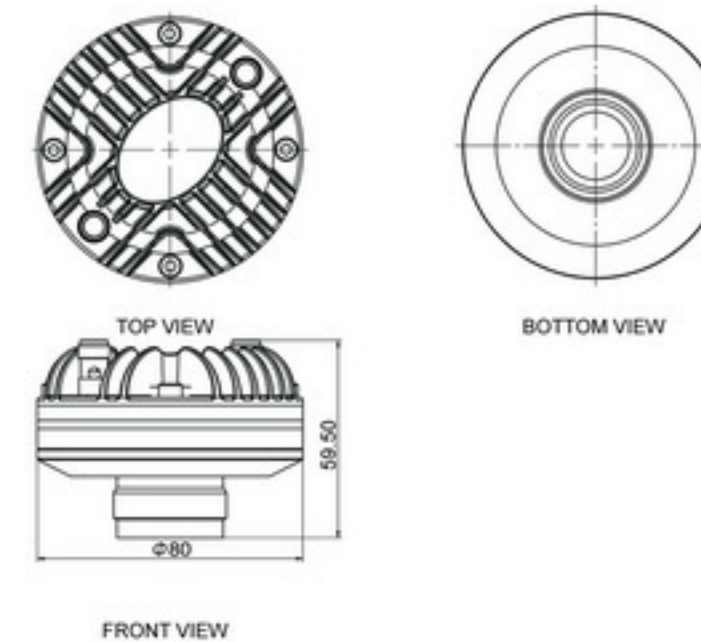
Impedance Curve



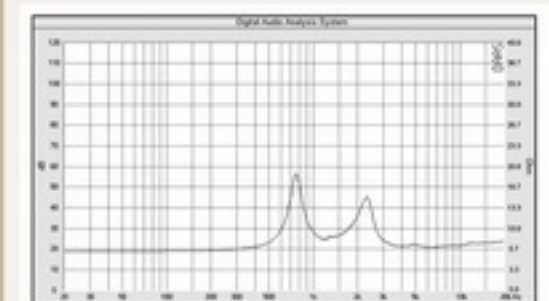
Frequency response Curve



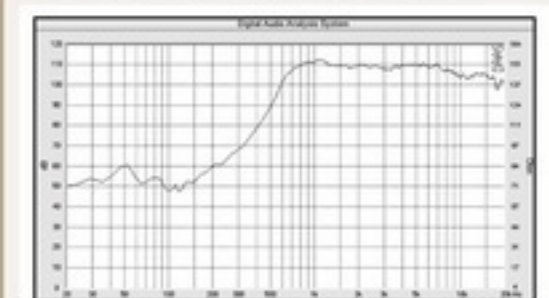
VIEW DRAWING



Impedance Curve



Frequency response Curve



D74

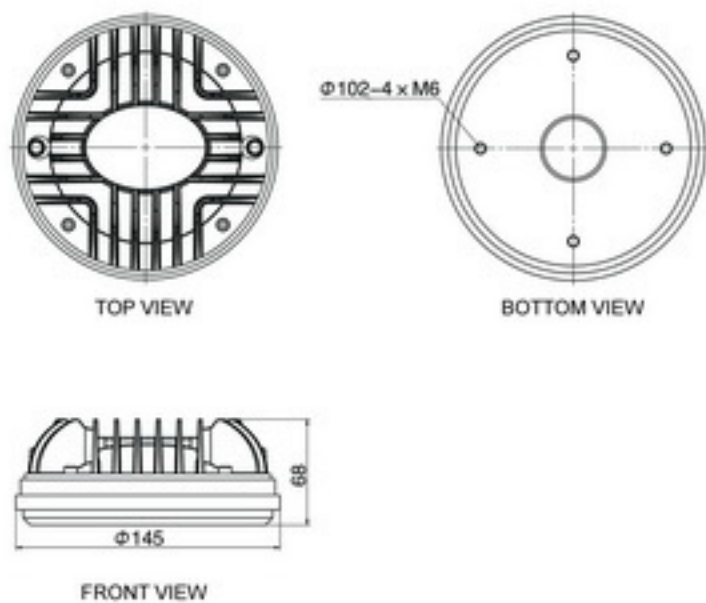
Compression Drivers



● Nd magnetic compression horn HF driver; excellent performance; Ti or compound diaphragm, aluminum flat wire voice coil; N38SH Nd magnetic configuration and built-in short circuit ring to reduce 3rd harmonic distortion; PC to help design, to improve HF performance, to boost up & optimize tone.



VIEW DRAWING



SPECIFICATIONS

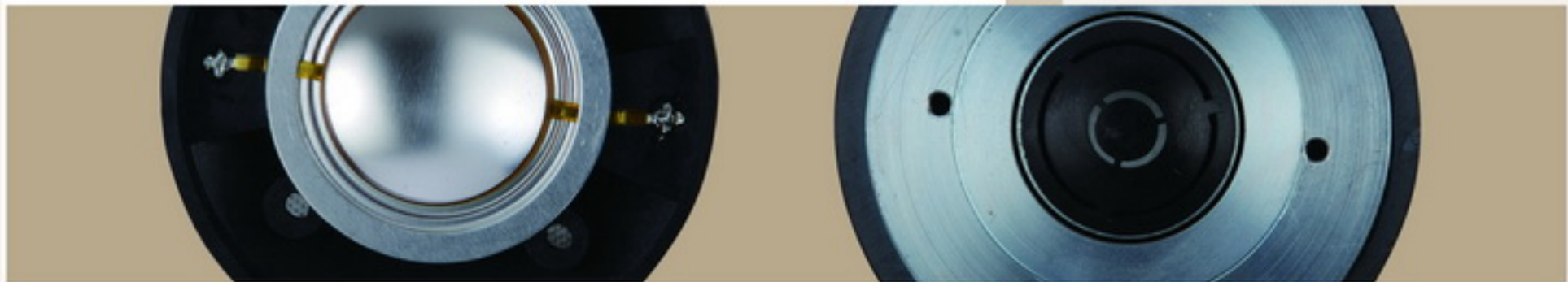
Throat Diameter	1.5 Inch
Sensitivity(1m/1w)	110dB
Nominal Impedance	8 Ω
Power Handling	80W
Frequency Range	600Hz-20kHz
Voice Coil Diameter	2.93 Inch
Diaphragm Material	Titanium/Peek
Net Weight	3.15kg

FE34B

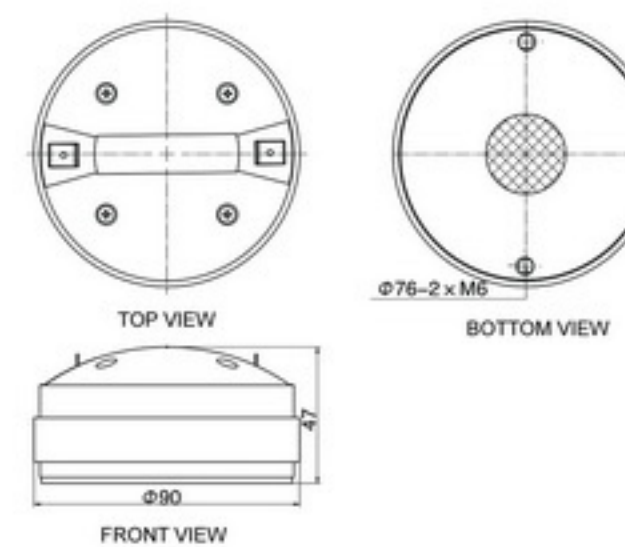
Compression Drivers



● Compression HF driver. Featured with ferrite magnetic circuit; aluminum alloy diaphragm, copper clad aluminum round wire voice coil; simple structure and stable performance; soft and mild tone, high cost performance.



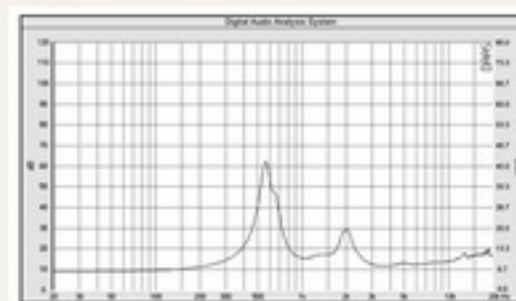
VIEW DRAWING



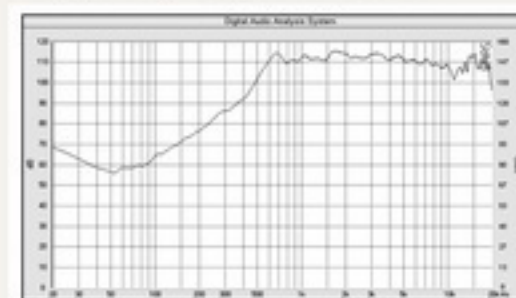
SPECIFICATIONS

Throat Diameter	1 Inch
Sensitivity(1m/1w)	102dB
Nominal Impedance	8 Ω
Power Handling	30W
Frequency Range	800Hz-18kHz
Voice Coil Diameter	1.35 Inch
Diaphragm Material	AL membrane
Net Weight	0.9kg

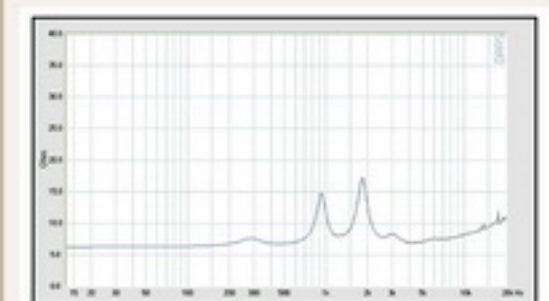
Impedance Curve



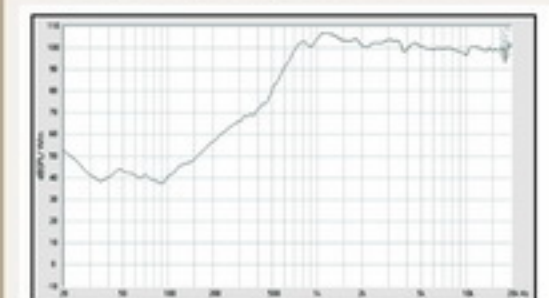
Frequency response Curve



Impedance Curve



Frequency response Curve



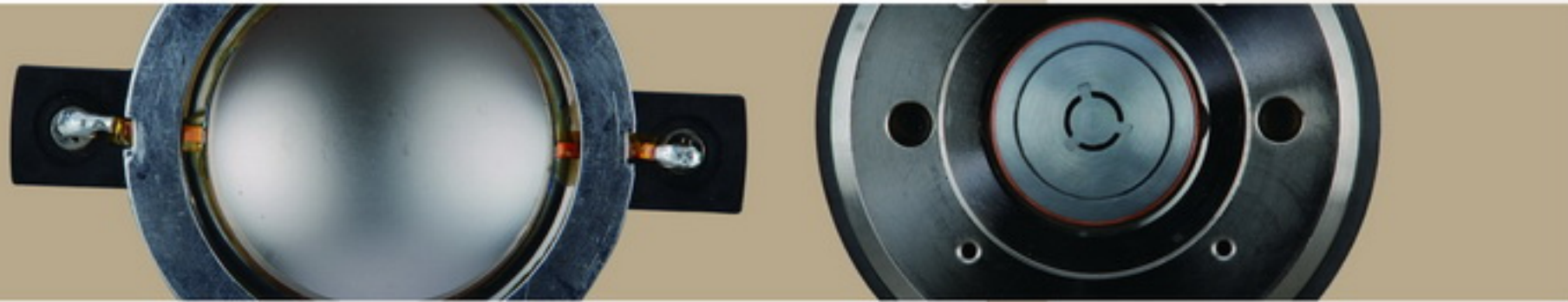
FE44B Compression Drivers



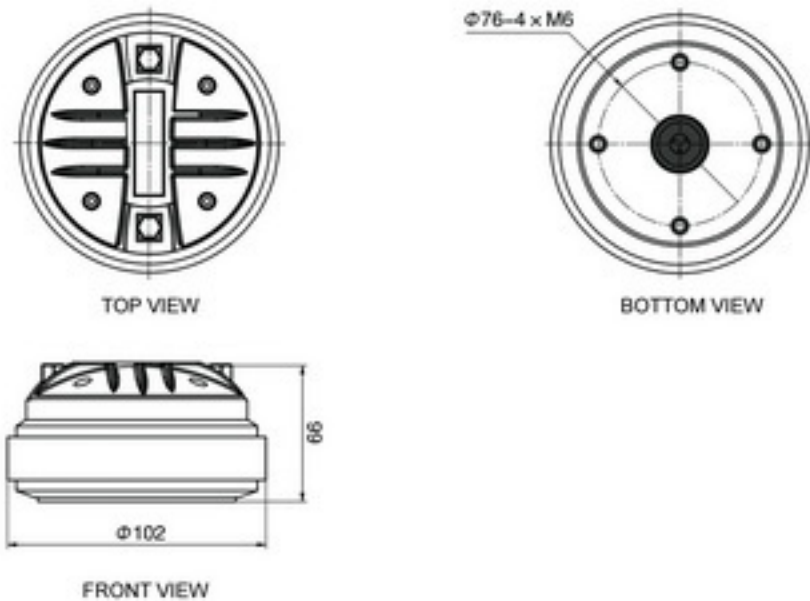
● Compression HF driver. Featured with ferrite magnetic circuit; T-iron core pole with short circuit ring design, which decreases third harmonic distortion; equipped with full titanium diaphragm and copper clad aluminum flat wire voice coil; simple structure and stable performance; soft, mild and clear tone.

SPECIFICATIONS

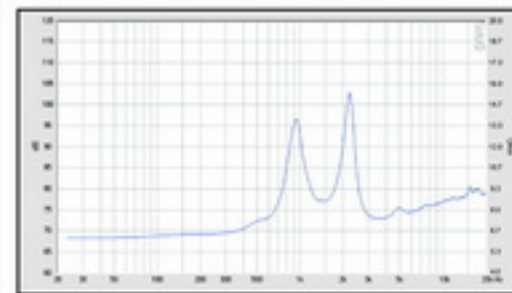
Throat Diameter	1 Inch
Sensitivity(1m/1w)	108dB
Nominal Impedance	8Ω
Power Handling	50W
Frequency Range	800Hz-18kHz
Voice Coil Diameter	1.75 Inch
Diaphragm Material	Titanium
Net Weight	2.4kg



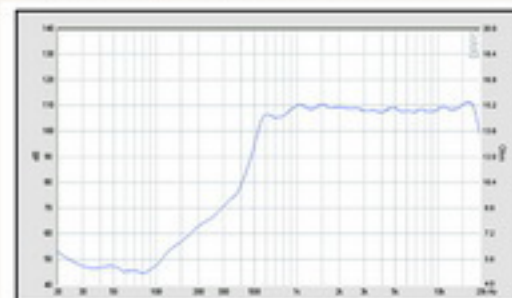
VIEW DRAWING



Impedance Curve



Frequency response Curve



FE100A Compression Drivers



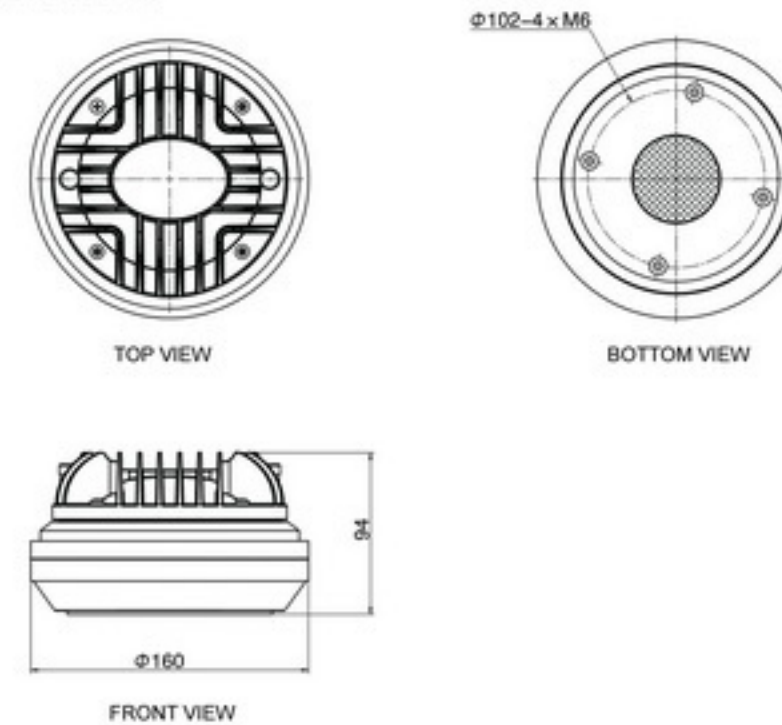
● Compression HF driver. NdFeB Magnets line, with high efficiency and low distortion; the magnet flux density is 2.2T; full titanium diaphragm and aluminum flat wire voice coil, black kapton framework, adopted with "sandwich" way glue recipe, which makes the cementing surface's solidity and tenacity to be moderate, it also promotes high frequency characteristics and decreases consumption, keeps long-time high power performance to be stable; clear, mellow and bright tone. It supplies speaker base for the high quality sound reproduction of big-size theater and cinema.

SPECIFICATIONS

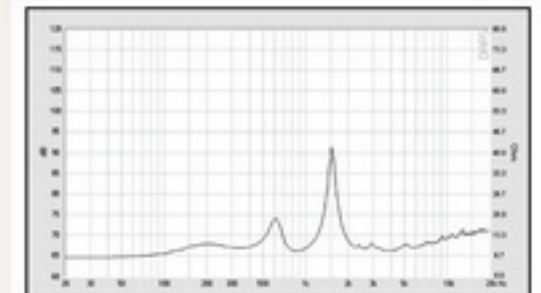
Throat Diameter	2 Inch
Sensitivity(1m/1w)	110dB
Nominal Impedance	8Ω
Power Handling	120W
Frequency Range	800Hz-18kHz
Voice Coil Diameter	4 Inch
Diaphragm Material	Titanium
Net Weight	6kg



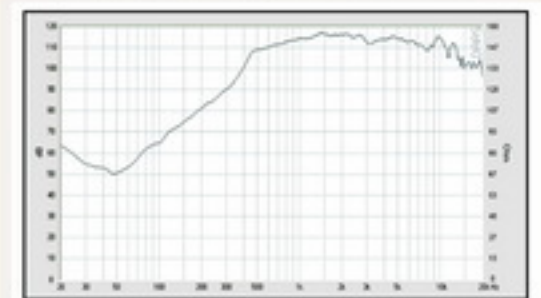
VIEW DRAWING



Impedance Curve



Frequency response Curve



i34

Compression Drivers



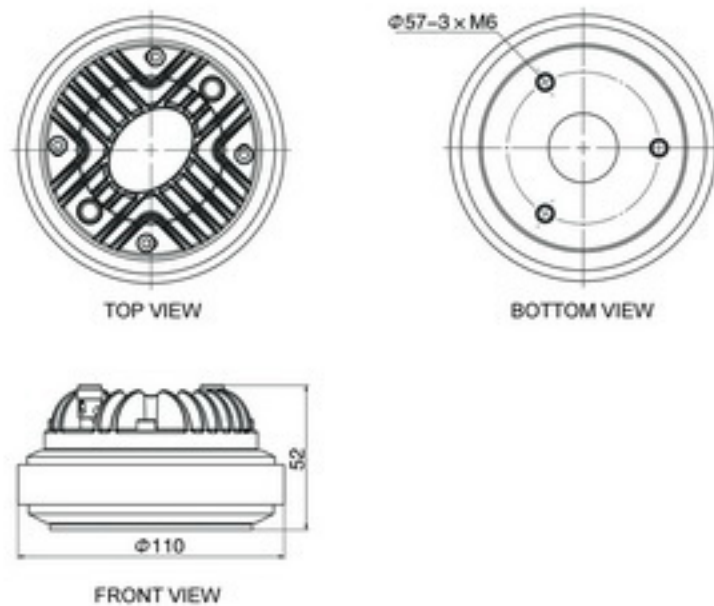
SPECIFICATIONS

Throat Diameter	1 Inch
Sensitivity(1m/1w)	108dB
Nominal Impedance	8Ω
Power Handling	30W
Frequency Range	800Hz-18kHz
Voice Coil Diameter	1.35 Inch
Diaphragm Material	Peek
Net Weight	1.2kg

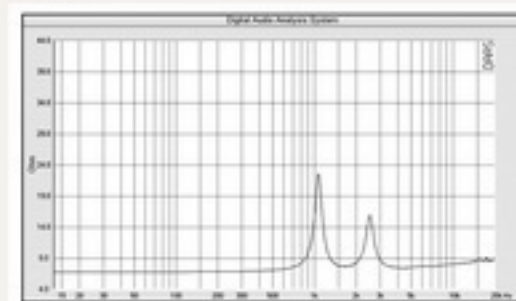
Ferrite magnetic configuration; T-Yoke with short circuit ring design to reduce 3rd harmonic distortion; PEEK diaphragm, aluminum flat wire voice coil; innovative ALU cover to maximize heat dissipation; elegant appearance, excellent tone; stable performance.



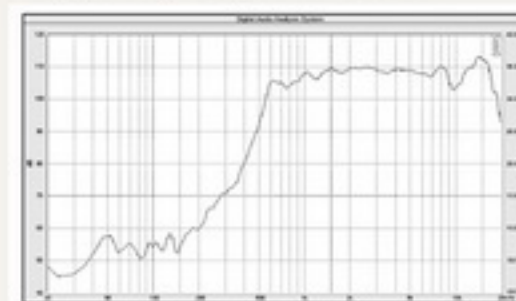
VIEW DRAWING



Impedance Curve



Frequency response Curve



i44

Compression Drivers



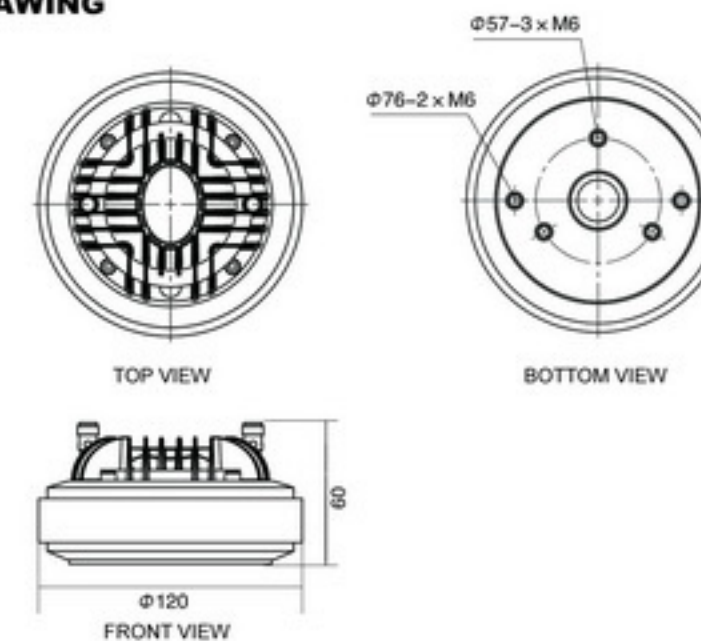
SPECIFICATIONS

Throat Diameter	1 Inch
Sensitivity(1m/1w)	109dB
Nominal Impedance	8Ω
Power Handling	40W
Frequency Range	800Hz-20kHz
Voice Coil Diameter	1.75 Inch
Diaphragm Material	Peek
Net Weight	2.1kg

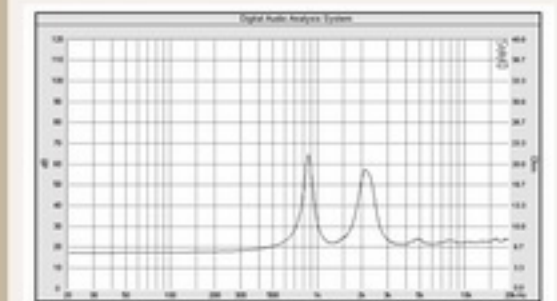
Ferrite magnetic configuration; T-Yoke with short circuit ring design to reduce 3rd harmonic distortion; PEEK diaphragm, aluminum flat wire voice coil; innovative ALR cover to maximize heat dissipation; elegant appearance, excellent tone; stable performance.



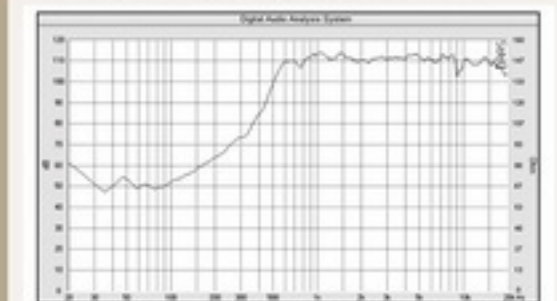
VIEW DRAWING



Impedance Curve



Frequency response Curve



i74

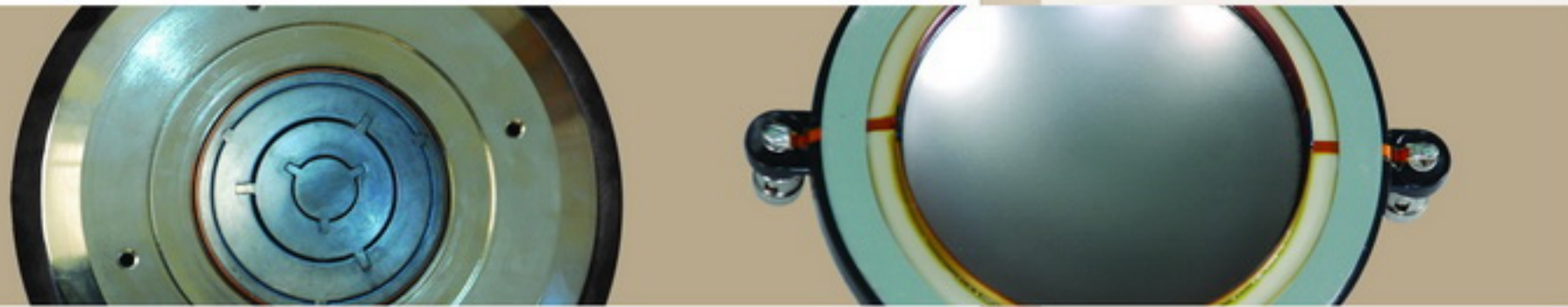
Compression Drivers



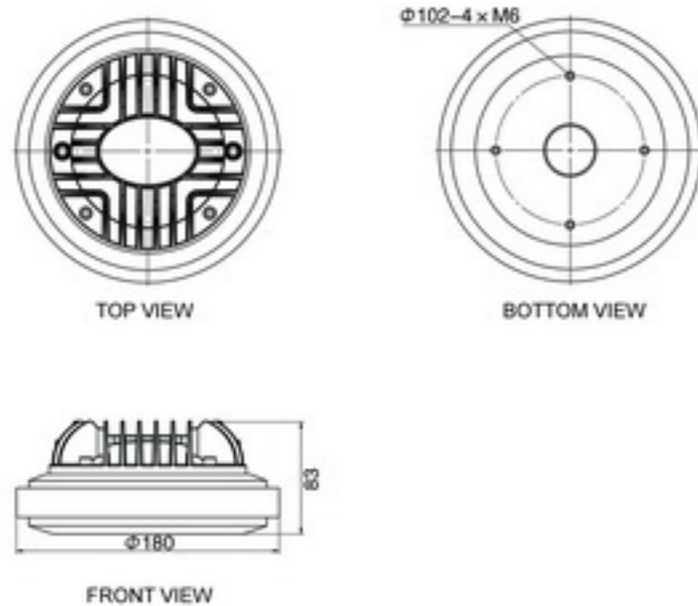
Ferrite magnetic configuration; T-Yoke with short circuit ring design to reduce 3rd harmonic distortion; PEEK diaphragm, aluminum flat wire voice coil; innovative ALU cover to maximize heat dissipation; elegant appearance, excellent tone; stable performance.

SPECIFICATIONS

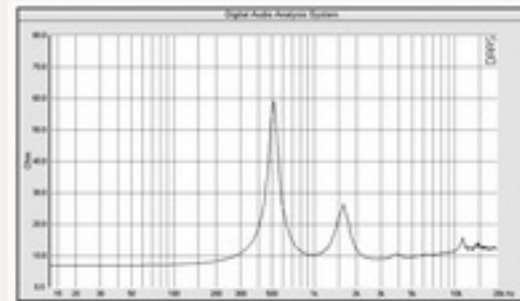
Throat Diameter	1.4 Inch
Sensitivity(1m/1w)	110dB
Nominal Impedance	8Ω
Power Handling	80W
Frequency Range	500Hz-20kHz
Voice Coil Diameter	2.93 Inch
Diaphragm Material	Titanium/Peek
Net Weight	3.3kg



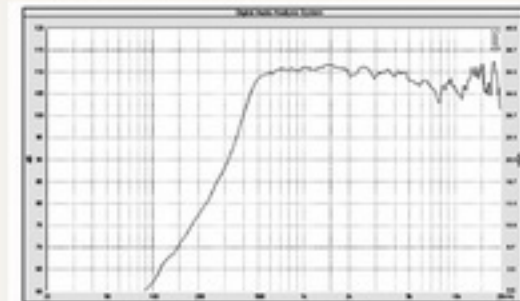
VIEW DRAWING



Impedance Curve



Frequency response Curve



K34

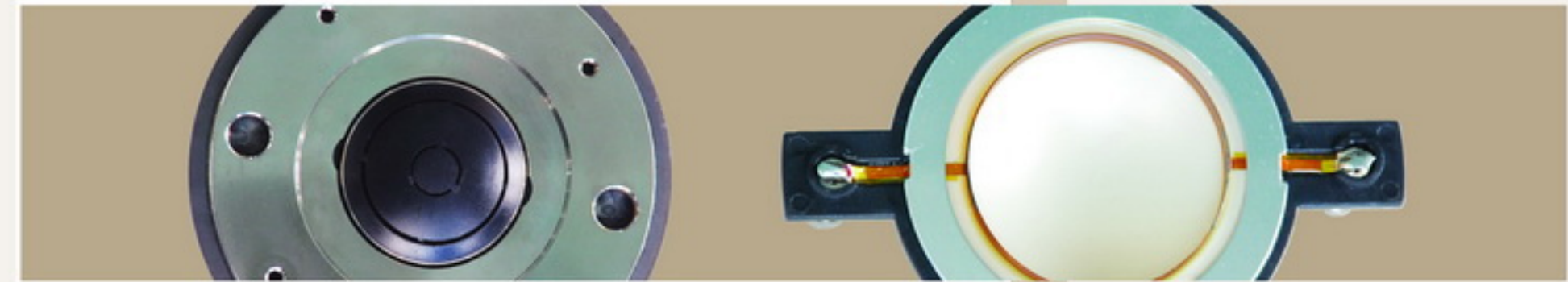
Compression Drivers



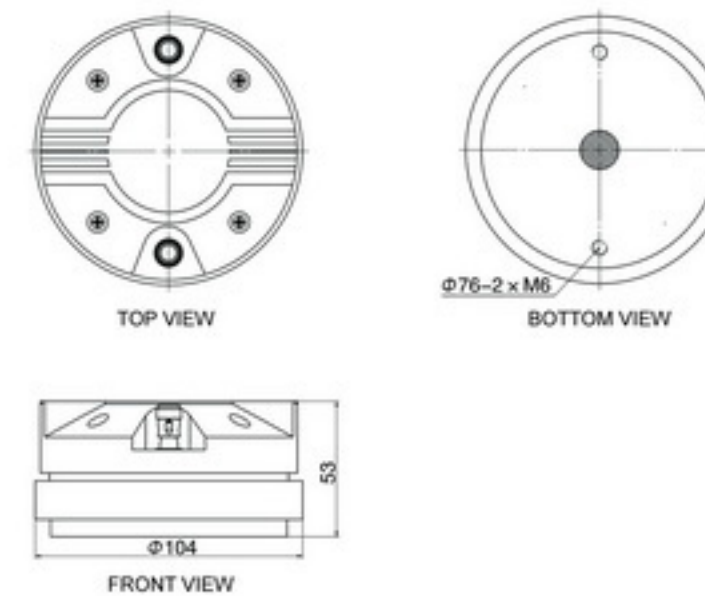
Compression HF driver; ferrite magnetic configuration; PK or Ti compound voice coil, CCA voice coil; simple structure; exact orientation; proper processing, stable performance; smooth/clear/delicate tone; high cost performance ratio.

SPECIFICATIONS

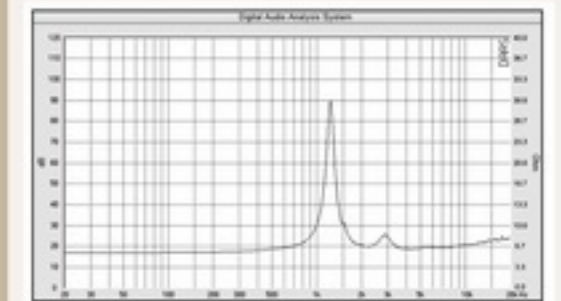
Throat Diameter	1 Inch
Sensitivity(1m/1w)	108dB
Nominal Impedance	8Ω
Power Handling	30W
Frequency Range	800Hz-18kHz
Voice Coil Diameter	1.35 Inch
Diaphragm Material	Peek
Net weight	1.2kg



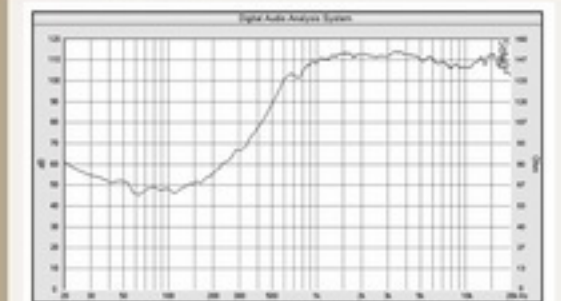
VIEW DRAWING



Impedance Curve



Frequency response Curve



K44

Compression Drivers



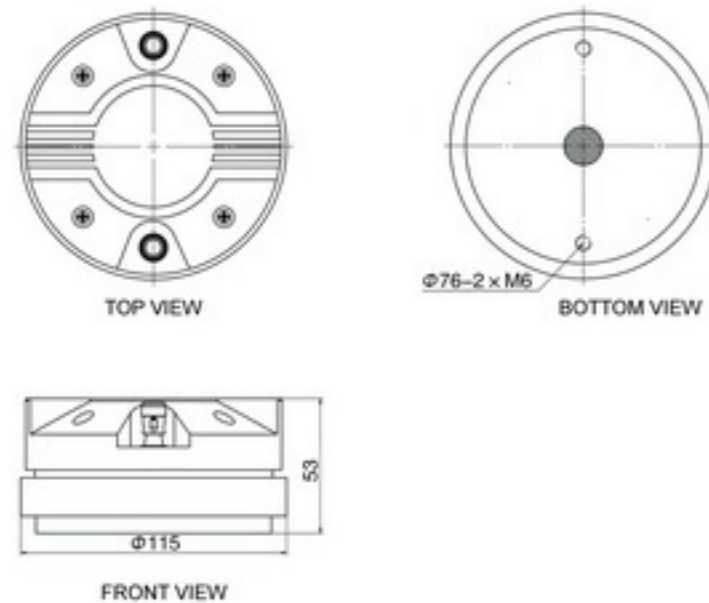
● Compression HF driver; ferrite magnetic configuration; PK or Ti compound voice coil, CCA voice coil; simple structure; exact orientation; proper processing, stable performance; smooth/clear/delicate tone; high cost performance ratio.

SPECIFICATIONS

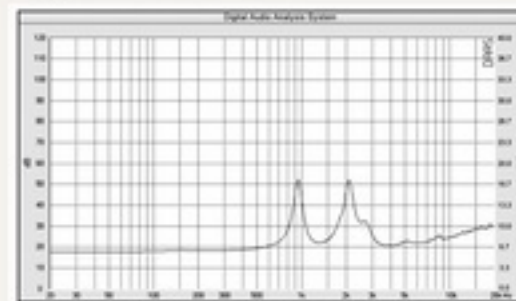
Throat Diameter	1 Inch
Sensitivity(1m/1w)	109dB
Nominal Impedance	8Ω
Power Handling	40W
Frequency Range	700Hz-20kHz
Voice Coil Diameter	1.75 Inch
Diaphragm Material	Peek
Net weight	1.75kg



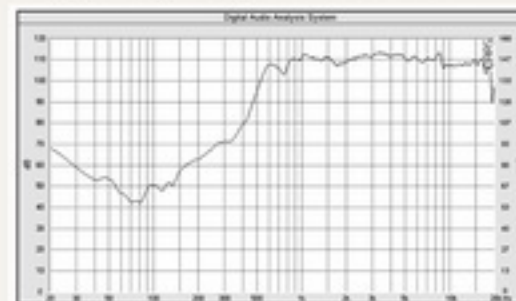
VIEW DRAWING



Impedance Curve



Frequency response Curve



K74

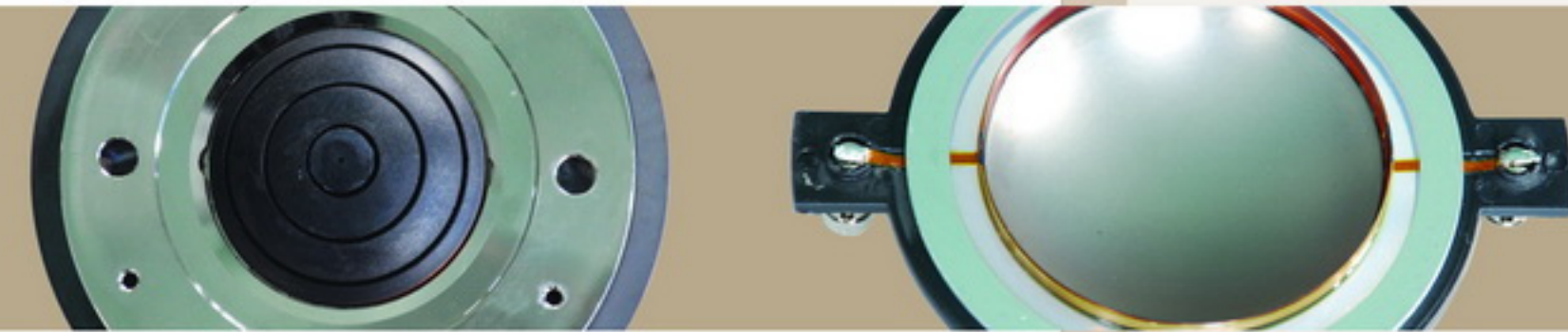
Compression Drivers



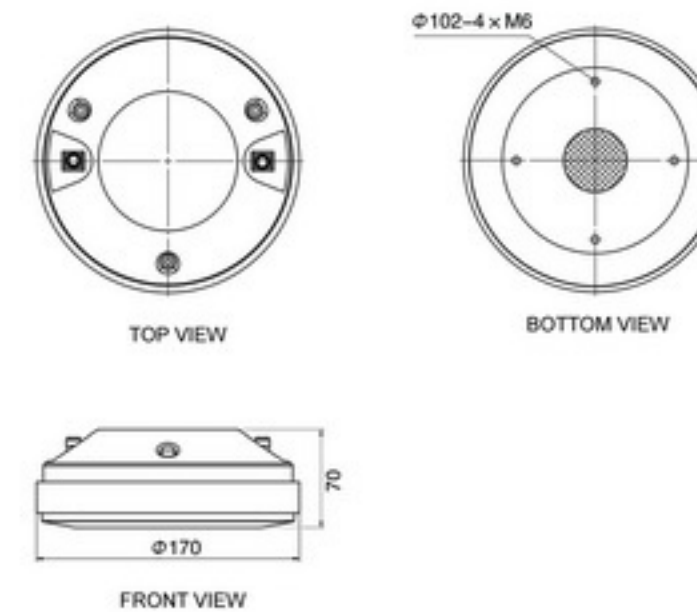
● Compression HF driver; ferrite magnetic configuration; PK or Ti compound voice coil, CCA voice coil; simple structure; exact orientation; proper processing, stable performance; smooth/clear/delicate tone; high cost performance ratio.

SPECIFICATIONS

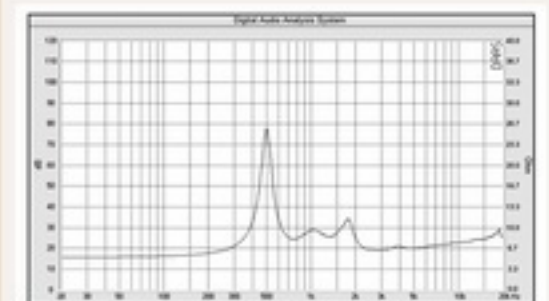
Throat Diameter	1.4 Inch
Sensitivity(1m/1w)	110dB
Nominal Impedance	8Ω
Power Handling	80W
Frequency Range	800Hz-20kHz
Voice Coil Diameter	2.93 Inch
Diaphragm Material	Titanium/PEN
Net Weight	4.6kg



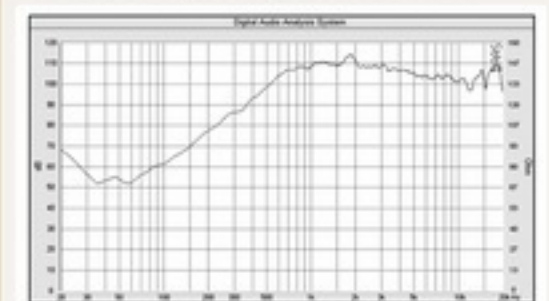
VIEW DRAWING



Impedance Curve



Frequency response Curve



T34

Compression Drivers



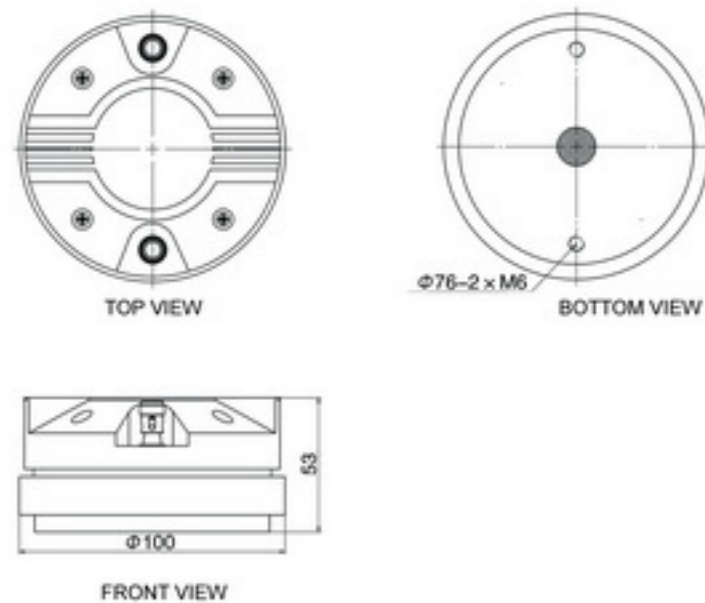
● Compression HF driver; ferrite magnetic configuration; T-Yoke with short circuit ring design to reduce 3rd harmonic distortion; PEN or Ti diaphragm; CCA voice coil; simple structure; stable performance; smooth/bright/soft tone; high cost performance ratio.

SPECIFICATIONS

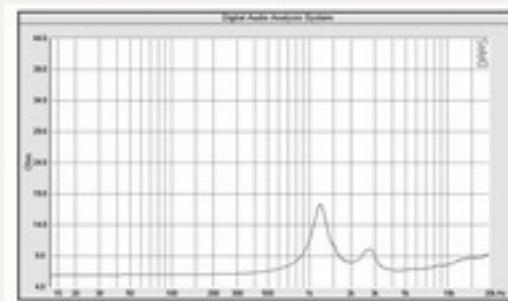
Throat Diameter	1 Inch
Sensitivity(1m/1w)	107dB
Nominal impedance	8Ω
Power Handling	30W
Frequency Range	1k-18kHz
Voice Coil Diameter	1.35 Inch
Diaphragm Material	PEN
Net Weight	1.2kg



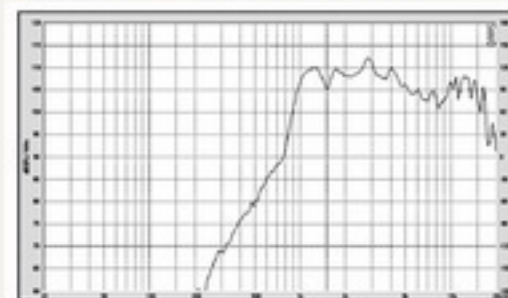
VIEW DRAWING



Impedance Curve



Frequency response Curve



T44

Compression Drivers



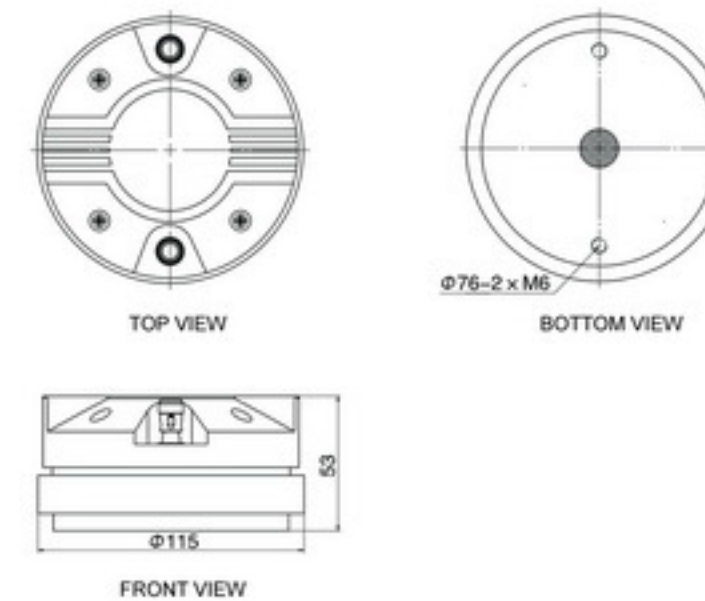
● Compression HF driver; ferrite magnetic configuration; T-Yoke with short circuit ring design to reduce 3rd harmonic distortion; PEN or Ti diaphragm; CCA voice coil; simple structure; stable performance; smooth/bright/soft tone; high cost performance ratio.

SPECIFICATIONS

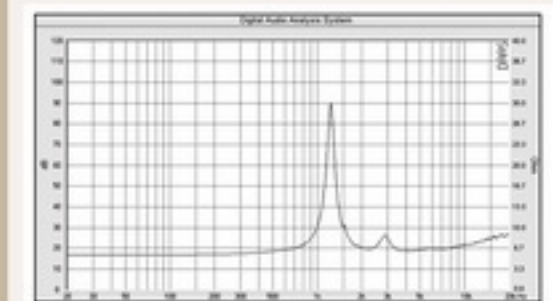
Throat Diameter	1 Inch
Sensitivity(1m/1w)	108.5dB
Nominal impedance	8Ω
Power Handling	40W
Frequency Range	1k-20kHz
Voice Coil Diameter	1.75 Inch
Diaphragm Material	PEN
Net Weight	1.75kg



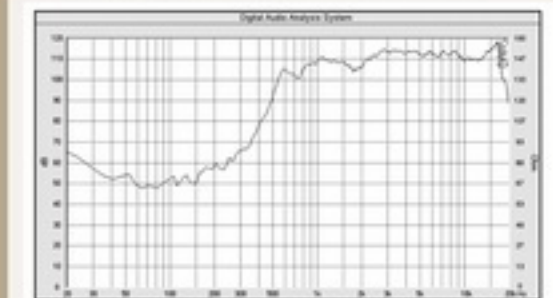
VIEW DRAWING



Impedance Curve



Frequency response Curve



T72

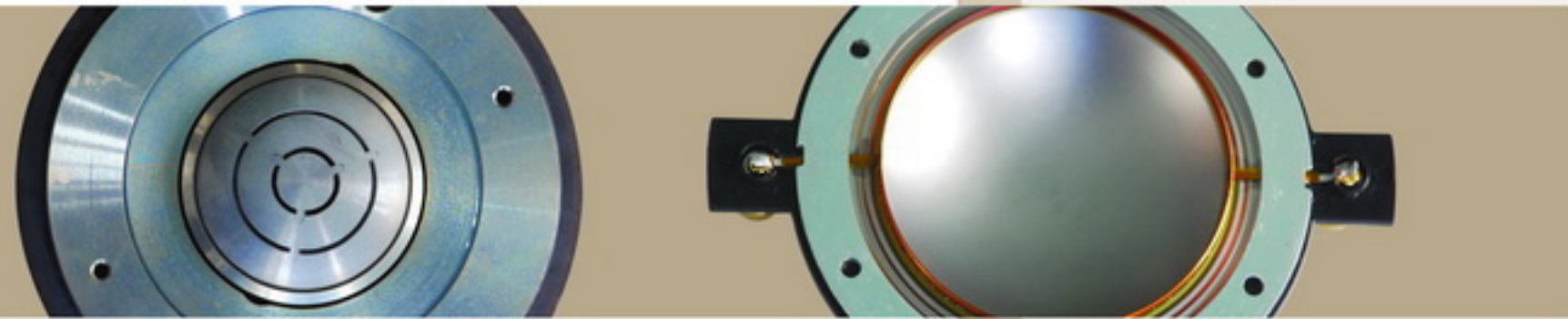
Compression Drivers



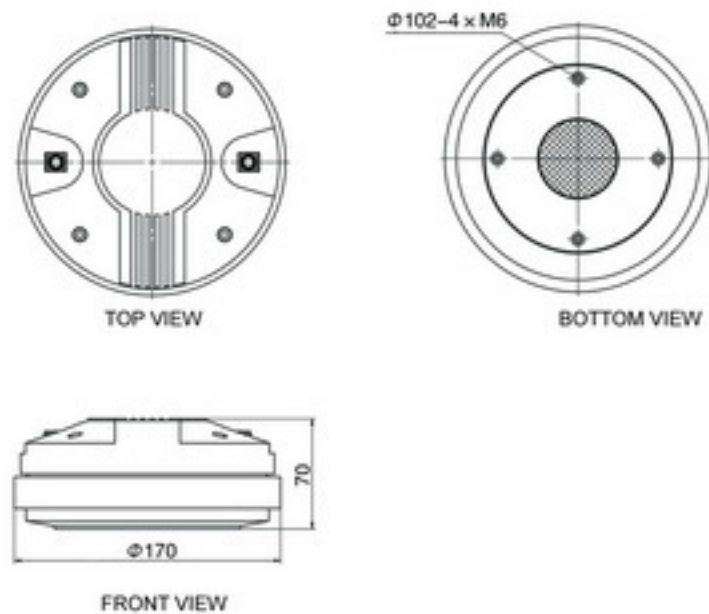
- Compression HF driver; ferrite magnetic configuration; T-Yoke with short circuit ring design to reduce 3rd harmonic distortion; PEN or Ti diaphragm; CCA voice coil; simple structure; stable performance; smooth/bright/soft tone; high cost performance ratio.

SPECIFICATIONS

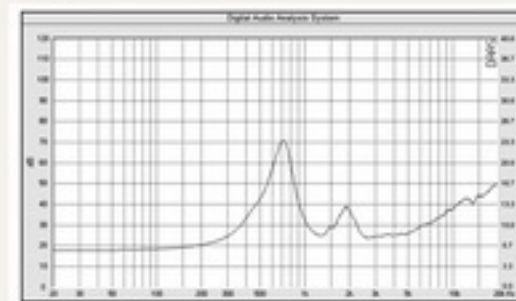
Throat Diameter	1.4 Inch
Sensitivity(1m/1w)	109dB
Nominal impedance	8Ω
Power Handling	80W
Frequency Range	600Hz-16kHz
Voice Coil Diameter	2.83 Inch
Diaphragm Material	Titanium
Net Weight	4.9kg



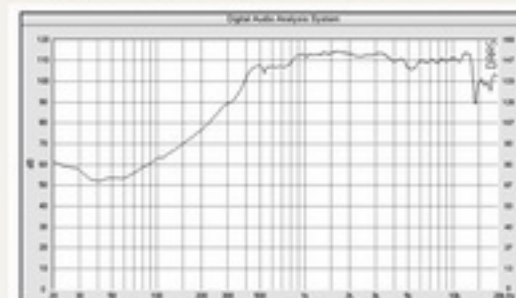
VIEW DRAWING



Impedance Curve



Frequency response Curve



T100

Compression Drivers



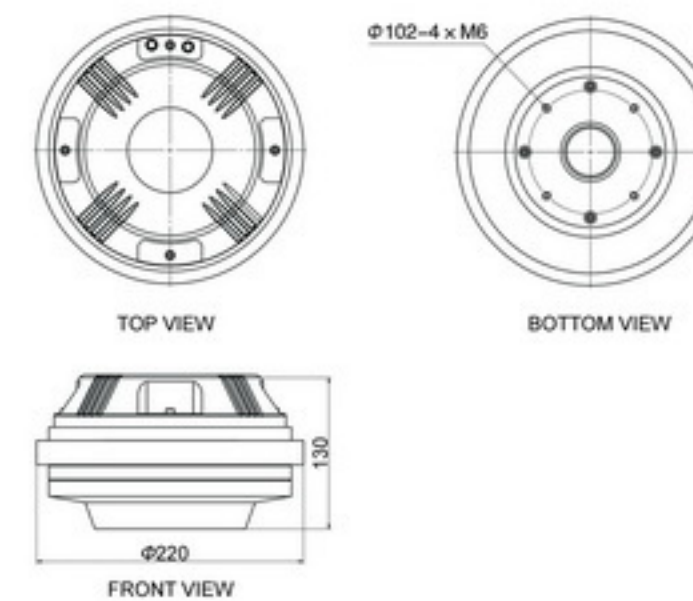
- Ti diaphragm with spider-web-grain; ferrite magnetic configuration with low distortion; flux density up to 1.9T; aluminum flat wire voice coil; BKSVOBBIN; sandwich glue prescription to optimize the hardness & tenacity of the agglutination area and to keep it for a long time at high power operation and to lower consumption; smooth/bright/clear tone; reproducing HI-FI original sound for large cinemas/theaters.

SPECIFICATIONS

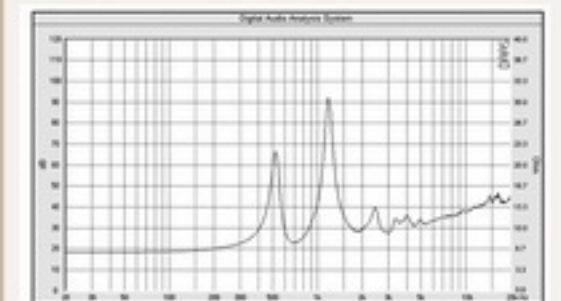
Throat Diameter	2 Inch
Sensitivity(1m/1w)	110dB
Nominal impedance	8Ω
Power Handling	120W
Frequency Range	600Hz-20kHz
Voice Coil Diameter	4 Inch
Diaphragm Material	Titanium
Net Weight	12kg



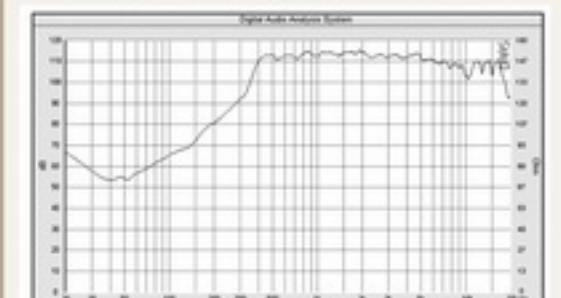
VIEW DRAWING



Impedance Curve



Frequency response Curve



FF06507G/H

Medium



This series of speakers include FF06507H, FF06507G, FF0803H, and have well designed Nd line magnetic configuration, full bodied human voice, flat tone, big power, high sensitivity. They have successfully replaced imported well known speaker units.

SPECIFICATIONS

Nominal Diameter	6.5 Inch
Sensitivity(1m/1w)	97dB
Nominal Impedance	4Ω/8Ω
Voice Coil Diameter	2 Inch
Power Handling	150W
Frequency Range	90Hz-8kHz
Net Weight	1.95kg

Key Parameters

Fs	110 Hz
Qts	0.21
Vas	5L

FB06504H

Medium



In order to achieve a fuller and clearer sound, the mid-range plays an important role in a 3-way loudspeaker system. SoundKing's mid-range speakers are available in 6.5 inch and 8 inch, featuring low distortion and clear sound.

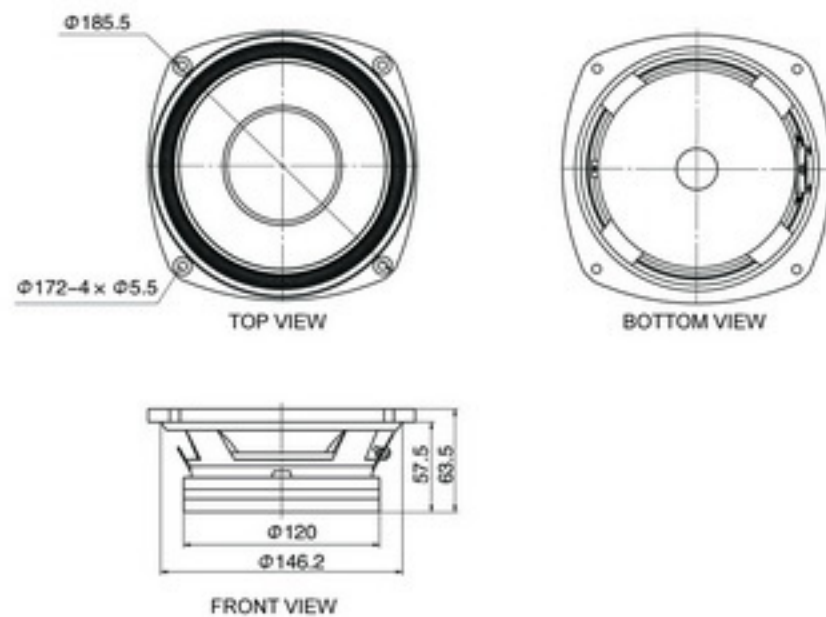
SPECIFICATIONS

Nominal Diameter	6.5 Inch
Sensitivity(1m/1w)	97dB
Nominal Impedance	8Ω
Voice Coil Diameter	1.5 Inch
Power Handling	100W
Frequency Range	110Hz-13kHz
Net Weight	3.15kg

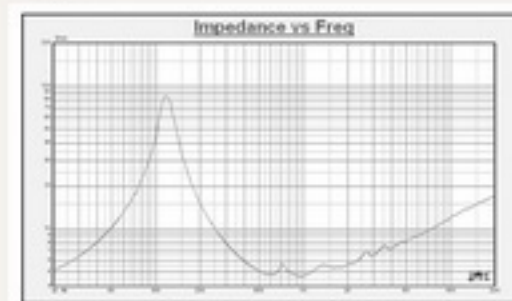
Key Parameters

Fs	120 Hz
Qts	0.52
Vas	6.2L

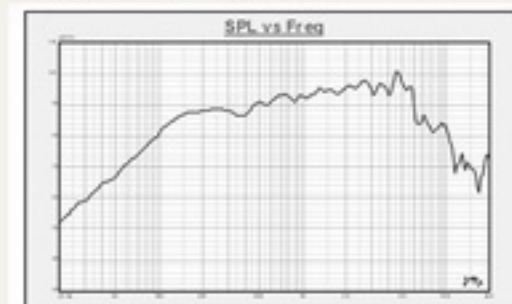
VIEW DRAWING



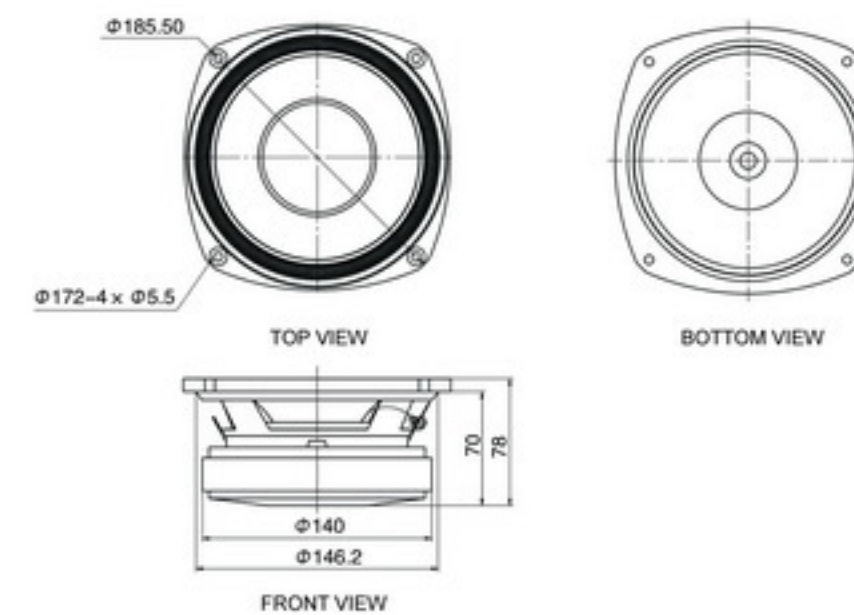
Impedance Curve



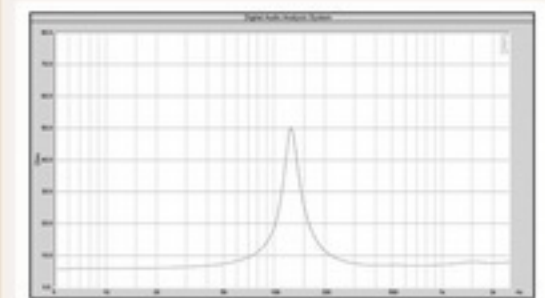
Frequency response Curve



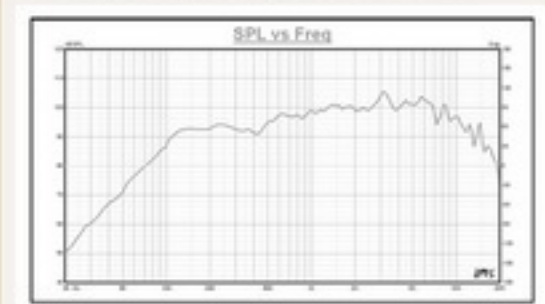
VIEW DRAWING



Impedance Curve



Frequency response Curve



FF0803G/H

Medium



This series of speakers include FF06507H, FF06507G, FF0803H, and have well designed Nd line magnetic configuration, full bodied human voice, flat tone, big power, high sensitivity. They have successfully replaced imported well known speaker units.

SPECIFICATIONS

Nominal Diameter	8 Inch
Sensitivity(1m/1w)	98dB
Nominal Impedance	4Ω/8Ω
Voice Coil Diameter	2 Inch
Power Handling	150W
Frequency Range	90Hz-8kHz
Net Weight	2kg

Key Parameters

Fs	110 Hz
Qts	0.21
Vas	13L

M100-8

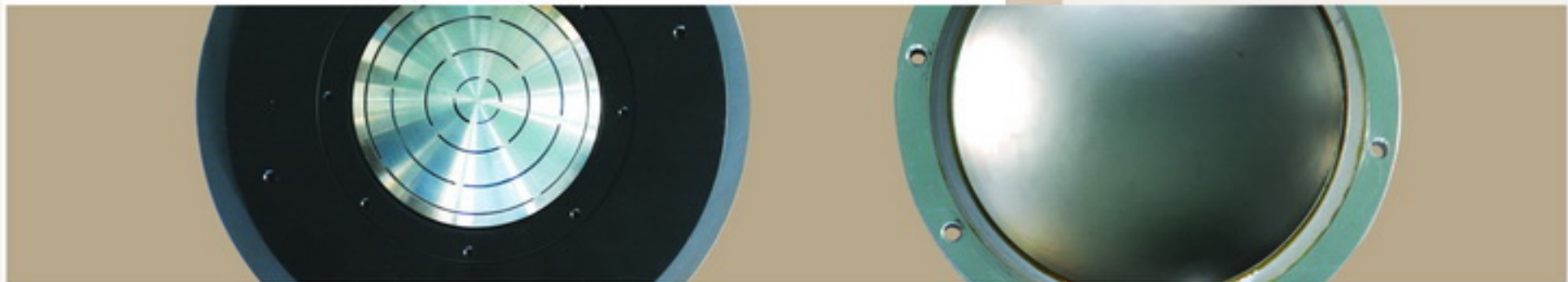
Medium



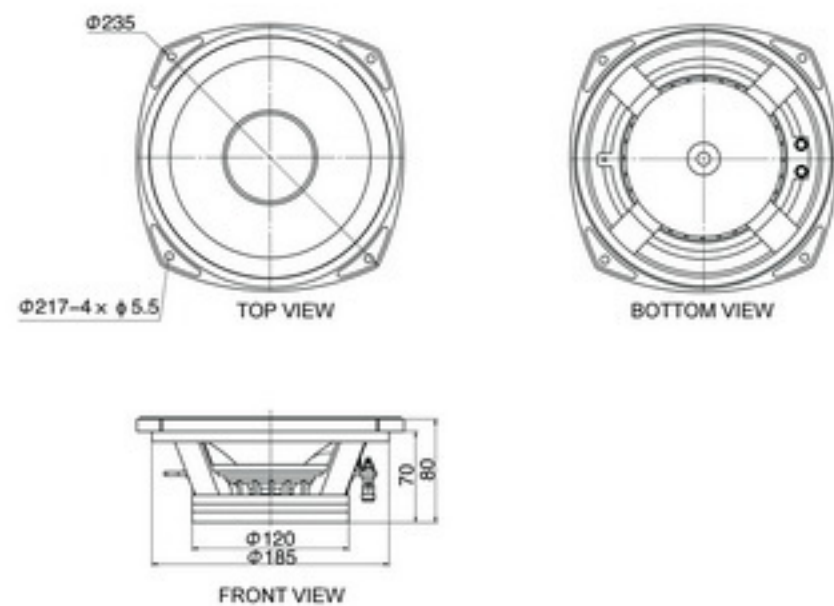
Compression horn MF driver; Ti dome, PEN spider diaphragm to ensure wide dynamic and low distortion drive; line ferrite magnetic configuration; flux density up to 1.9T; aluminum flat wire voice coil, BKS V BOBBIN to increase heat dissipation; sandwich glue prescription to optimize the hardness & tenacity of the agglutination area and to keep it for a long time at high power operation; full bodied/bright/smooth tone, stable performance; reproducing the original sound for large cinemas/theaters.

SPECIFICATIONS

Nominal Diameter	2 Inch
Sensitivity(1m/1w)	110dB
Nominal Impedance	8Ω
Voice Coil Diameter	4 Inch
Power Handling	120W
Frequency Range	500Hz-8KHz
Diaphragm Material	Titanium/PEN
Net Weight	12kg



VIEW DRAWING



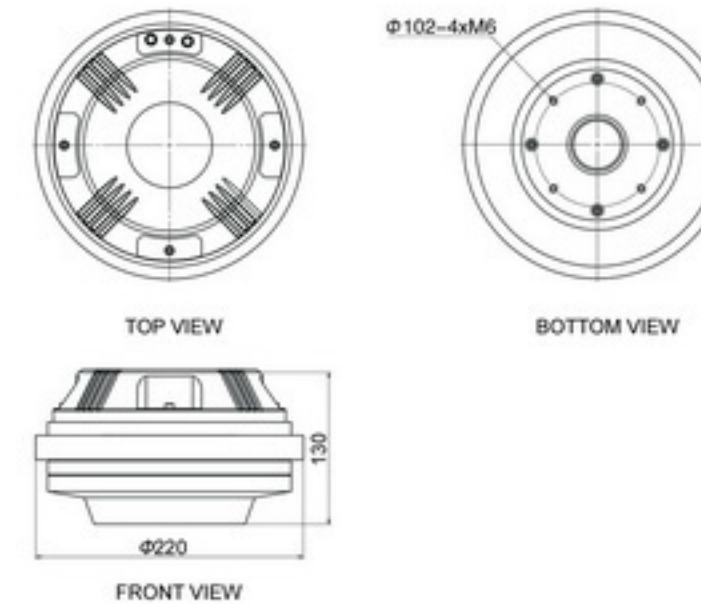
Impedance Curve



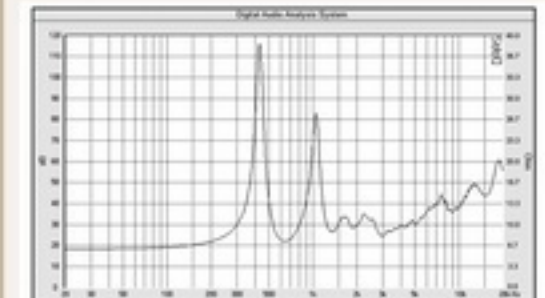
Frequency response Curve



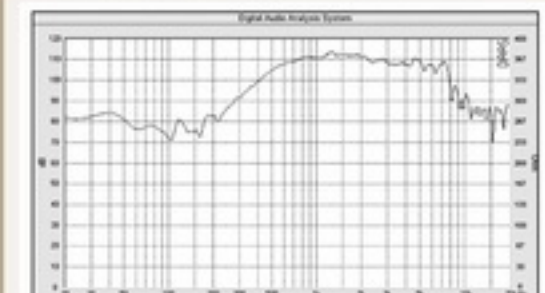
VIEW DRAWING



Impedance Curve



Frequency response Curve



NA08

Woofer



NA series of woofers include NA08, NA10, NA15, NA18 which adopt Nd magnetic configurations to achieve the features, e.g. compact, magnet-leakage-proof, high efficiency, low distortion, light weighted, etc. All the speakers use heat resistance voice coil and cone from US. NA series of woofers have big power, pure/clear/full bodied tone, and compact/elegant appearances.

SPECIFICATIONS

Nominal Diameter	8 Inch
Sensitivity(1m/1w)	95dB
Nominal Impedance	4Ω/8Ω
Voice Coil Diameter	2 Inch
Power Handling	150W
Frequency Range	74Hz-5kHz
Net Weight	1.6kg

Key Parameters

Fs	70 Hz
Qts	0.27
Vas	14L

NA10

Woofer



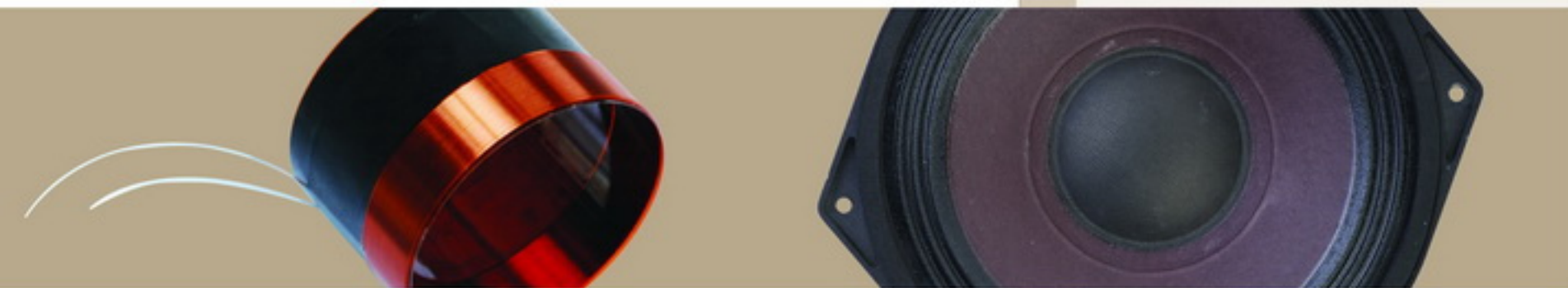
NA series of woofers include NA08, NA10, NA15, NA18 which adopt Nd magnetic configurations to achieve the features, e.g. compact, magnet-leakage-proof, high efficiency, low distortion, light weighted, etc. All the speakers use heat resistance voice coil and cone from US. NA series of woofers have big power, pure/clear/full bodied tone, and compact/elegant appearances.

SPECIFICATIONS

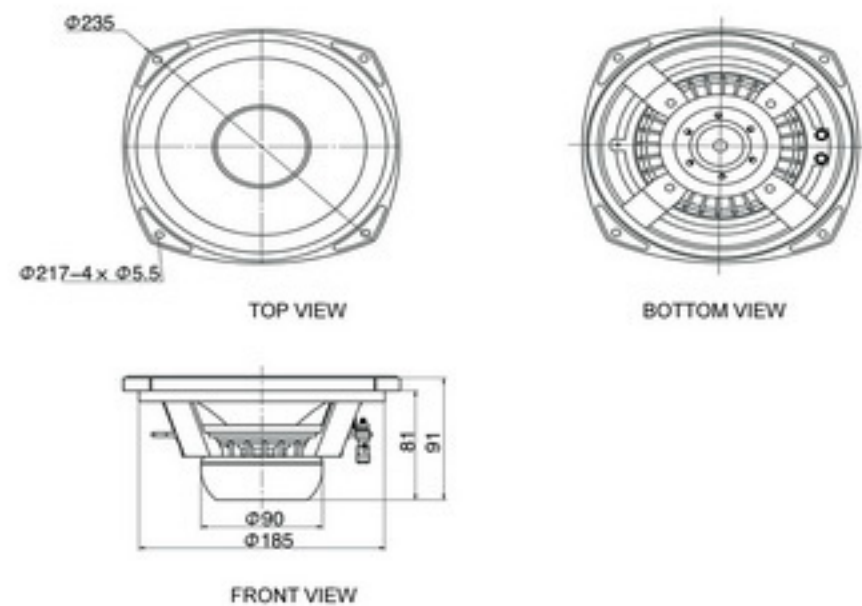
Nominal Diameter	10 Inch
Sensitivity(1m/1w)	95dB
Nominal Impedance	4Ω/8Ω
Voice Coil Diameter	2.5 Inch
Power Handling	200W
Frequency Range	45Hz-4.5kHz
Net Weight	2.5kg

Key Parameters

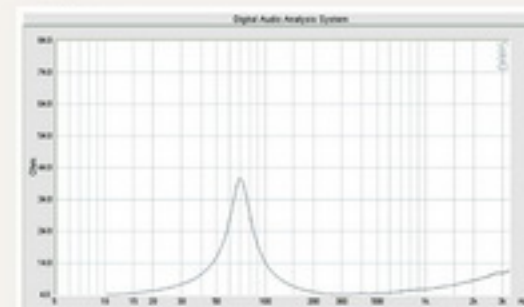
Fs	50 Hz
Qts	0.26
Vas	50L



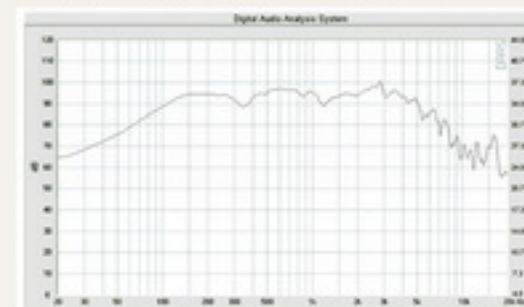
VIEW DRAWING



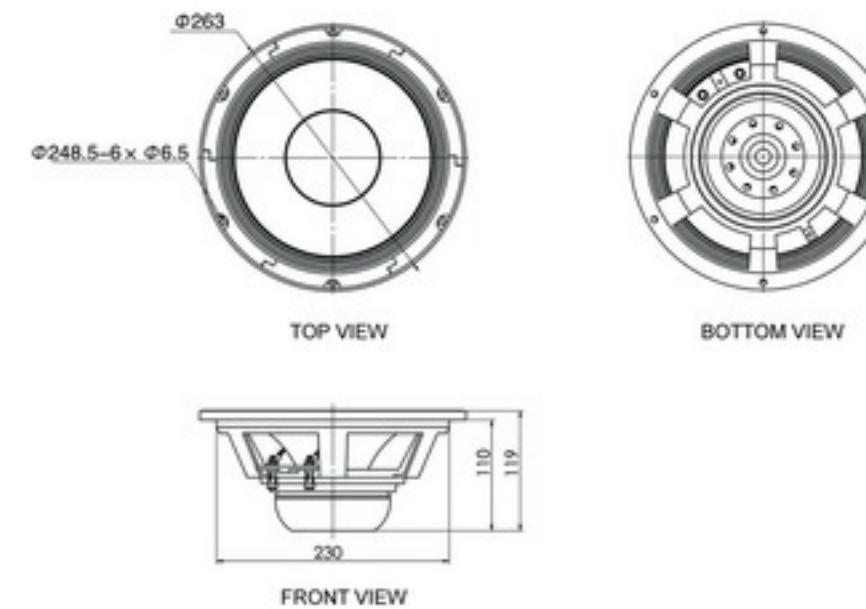
Impedance Curve



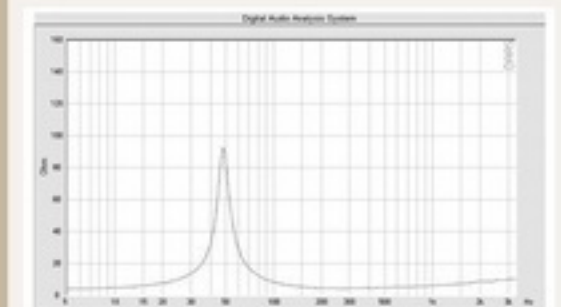
Frequency response Curve



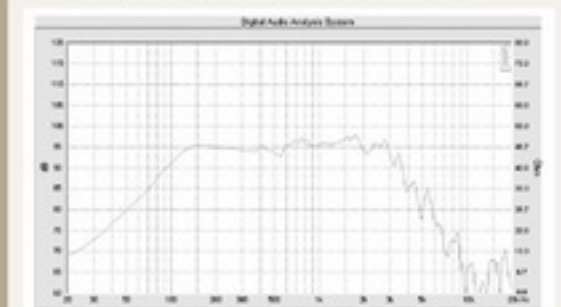
VIEW DRAWING



Impedance Curve



Frequency response Curve



NA12

Woofer



SPECIFICATIONS

Nominal Diameter	12 Inch
Sensitivity(1m/1w)	97dB
Nominal Impedance	8Ω
Voice Coil Diameter	3 Inch
Power Handling	300W
Frequency Range	45Hz-3.5kHz
Net Weight	3.3kg

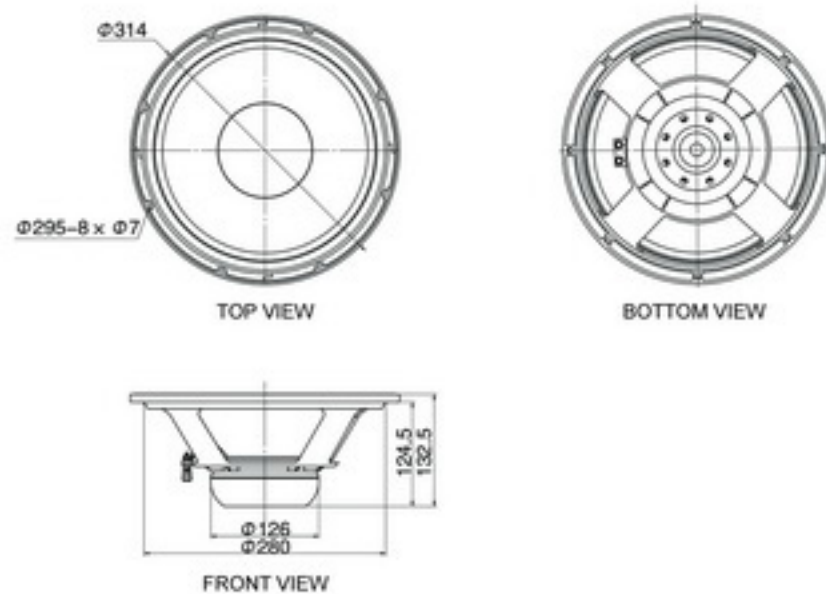
Key Parameters

Fs	48 Hz
Qts	0.28
Vas	70L

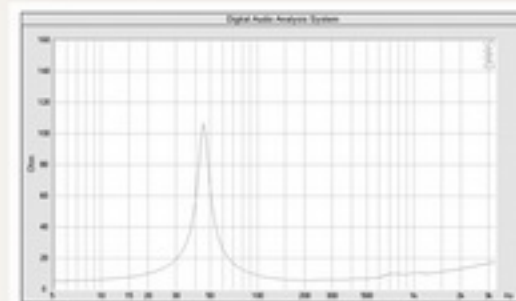
NA series of woofers include NA08,NA10,NA15,NA18 which adopt Nd magnetic configurations to achieve the features, e.g. compact, magnet-leakage-proof, high efficiency, low distortion, light weighted, etc. All the speakers use heat resistance voice coil and cone from US. NA series of woofers have big power, pure/clear/full bodied tone, and compact/elegant appearances.



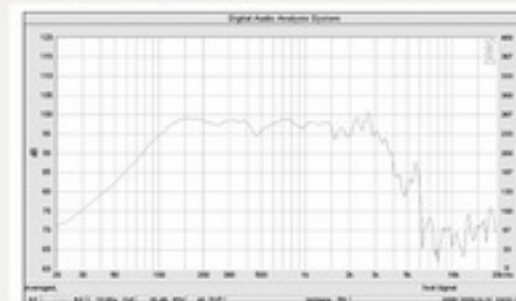
VIEW DRAWING



Impedance Curve



Frequency response Curve



NA15

Woofer



SPECIFICATIONS

Nominal Diameter	15 Inch
Sensitivity(1m/1w)	98dB
Nominal Impedance	8Ω
Voice Coil Diameter	3 Inch
Power Handling	400W
Frequency Range	42Hz-3kHz
Net Weight	4.7kg

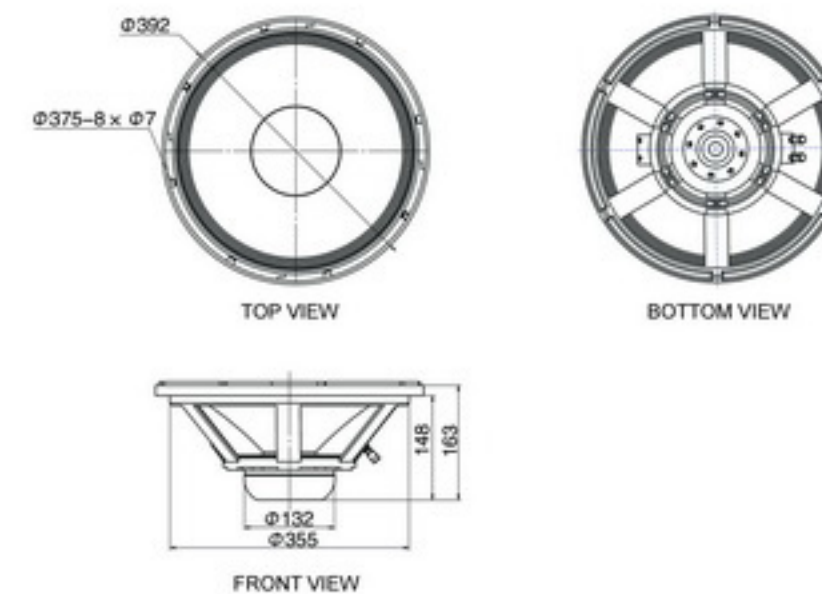
Key Parameters

Fs	37 Hz
Qts	0.31
Vas	210L

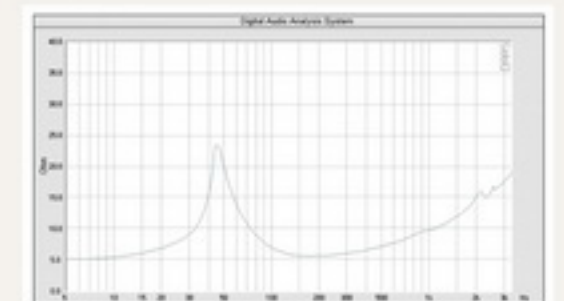
NA series of woofers include NA08,NA10,NA15,NA18 which adopt Nd magnetic configurations to achieve the features, e.g. compact, magnet-leakage-proof, high efficiency, low distortion, light weighted, etc. All the speakers use heat resistance voice coil and cone from US. NA series of woofers have big power, pure/clear/full bodied tone, and compact/elegant appearances.



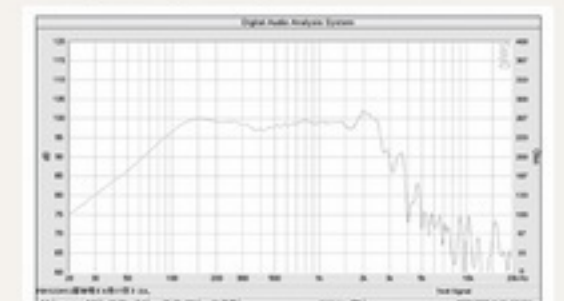
VIEW DRAWING



Impedance Curve



Frequency response Curve



NA18

Woofer



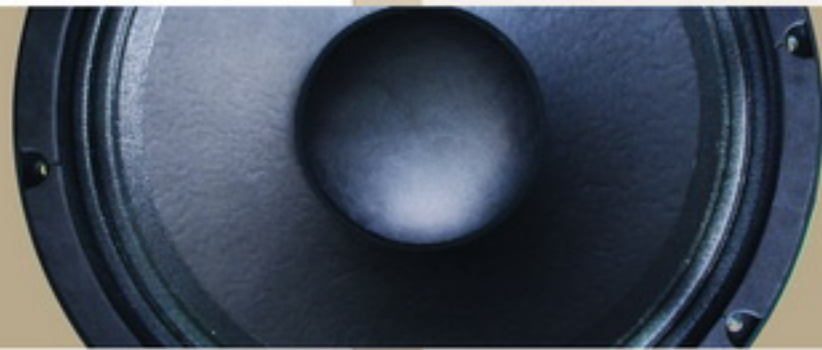
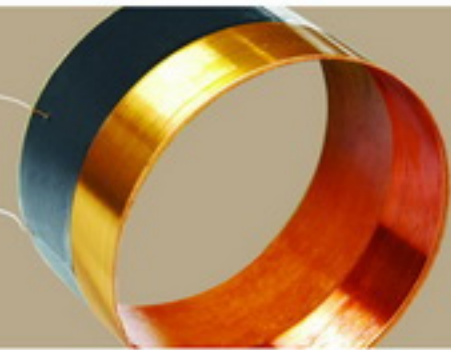
NA series of woofers include NA08, NA10, NA15, NA18 which adopt Nd magnetic configurations to achieve the features, e.g. compact, magnet-leakage-proof, high efficiency, low distortion, light weighted, etc. All the speakers use heat resistance voice coil and cone from US. NA series of woofers have big power, pure/clear/full bodied tone, and compact/elegant appearances.

SPECIFICATIONS

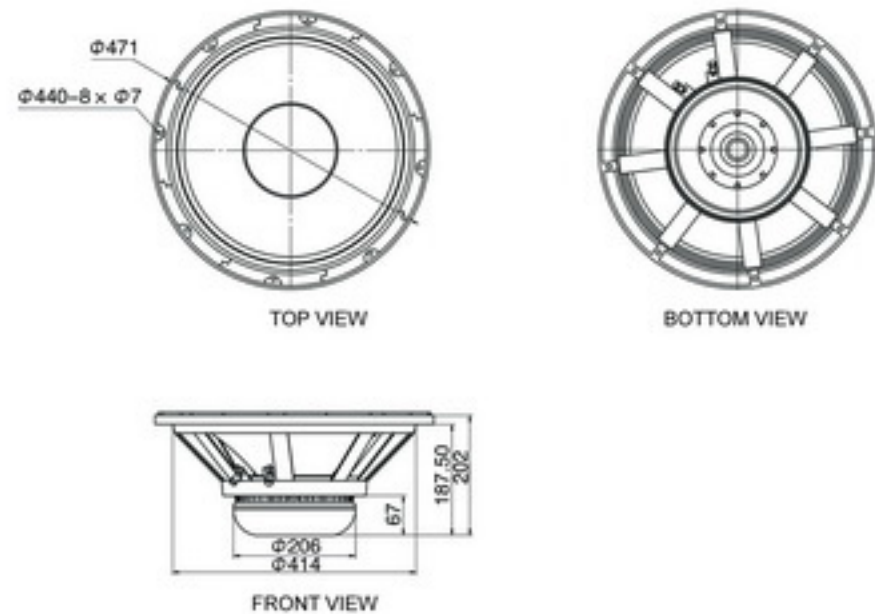
Nominal Diameter	18 Inch
Sensitivity(1m/1w)	98dB
Nominal Impedance	8Ω
Voice Coil Diameter	4.5 Inch
Power Handling	1000W
Frequency Range	32Hz-1.5kHz
Net Weight	13kg

Key Parameters

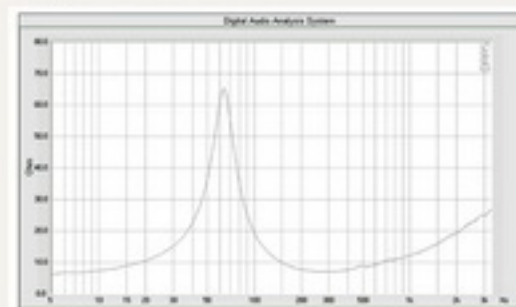
Fs	37 Hz
Qts	0.34
Vas	170L



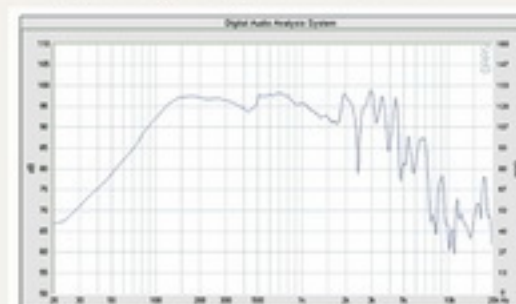
VIEW DRAWING



Impedance Curve



Frequency response Curve

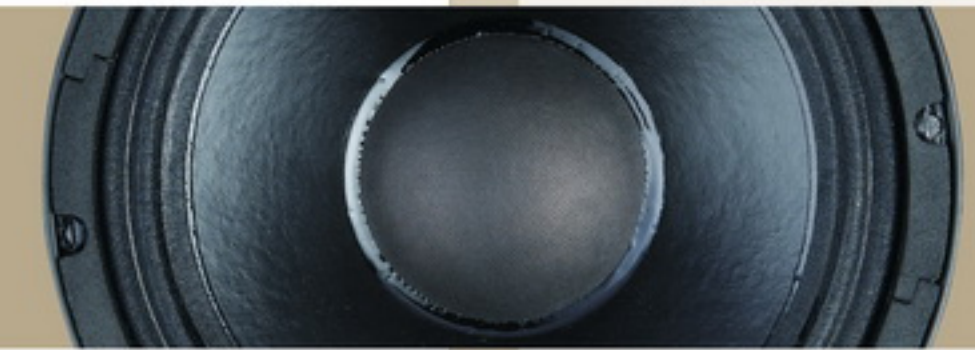
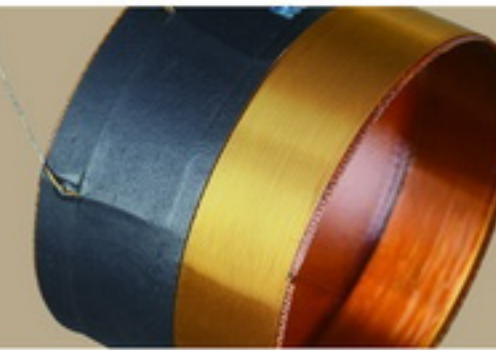


FA1002H

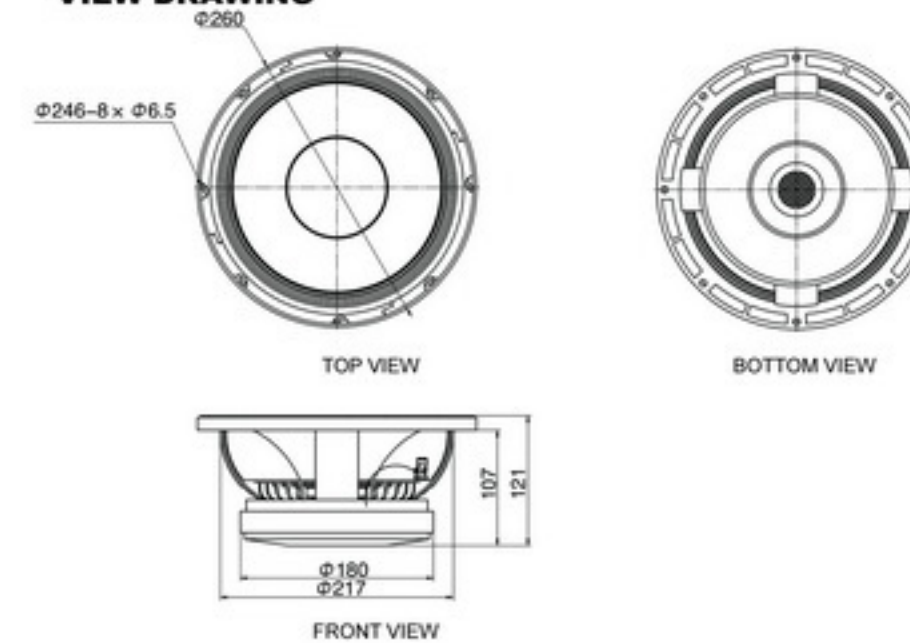
Woofer



FA1002H adopts the design of symmetric magnets field magnetic circuit, of which the magnetic flux is balance, so it controls effectively low frequency distortion and improves the characteristics of power and damping. It features new voice coil of high temperature resistance, good quality paper cone; low frequency is full of flexibility and richness, heavy, powerful and clear. It is suitable for speaker system of KTV compartment, DISCO hall, slow club, HI room etc entertainment locations.



VIEW DRAWING

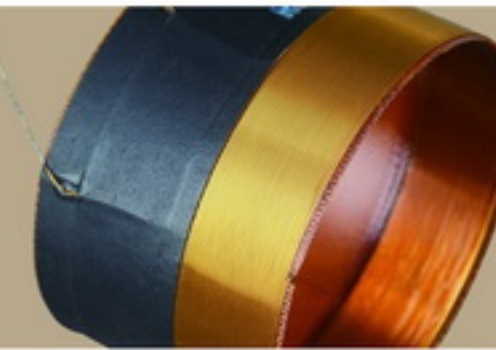


SPECIFICATIONS

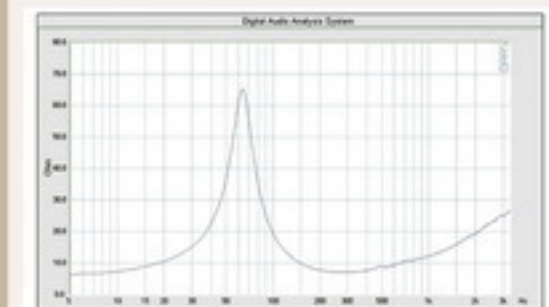
Nominal Diameter	12 Inch
Sensitivity(1m/1w)	97dB
Nominal Impedance	8Ω
Voice Coil Diameter	2.5 Inch
Power Handling	300W
Frequency Range	60Hz-4KHz
Net Weight	6.2kg

Key Parameters

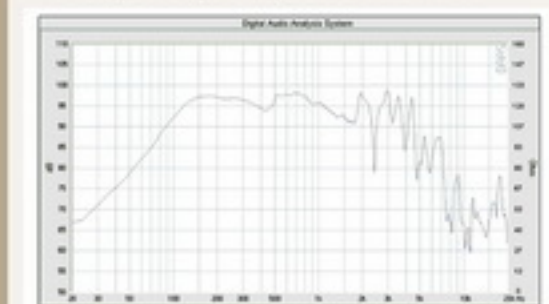
Fs	62 Hz
Qts	0.31
Vas	28L



Impedance Curve



Frequency response Curve



FA1502H

Woofer



FA1502H speaker features particular aluminum modulation loop to decrease distortion and promote heat radiation of voice coil. 4 inches high temperature-resistance voice coil formed by internally and externally coiling, the multiple heat dissipation dimension promotes power bearing capability. FA1502H has high sensitivity, low distortion, powerful strength, bright voice, its dynamic is big, resolution is strong, sound reproduction is excellent. It is suitable for 2 way and multiple way professional sound reinforcement system, especially for movie sound reinforcement system.

SPECIFICATIONS

Nominal Diameter	15 Inch
Sensitivity(1m/1w)	98dB
Nominal Impedance	8Ω
Voice Coil Diameter	4 Inch
Power Handling	500W
Frequency Range	45Hz-4kHz
Net Weight	10kg

Key Parameters

Fs	42 Hz
Qts	0.31
Vas	110L

FA1805A

Woofer



The two latest woofers are developed by Soundking, which have come from UK/US, pure and full bodied tone. FA1805A & FA2101H have more than 1000W power.

SPECIFICATIONS

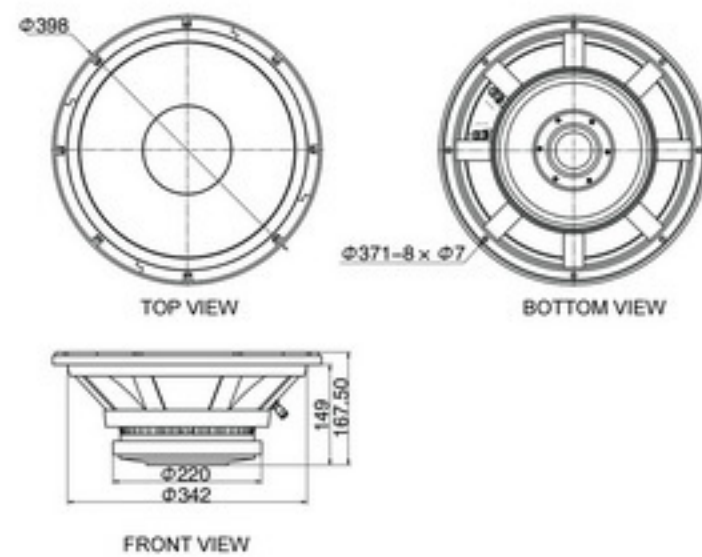
Nominal Diameter	18 Inch
Sensitivity(1m/1w)	98dB
Nominal Impedance	8Ω
Voice Coil Diameter	4.5 Inch
Power Handling	1000W
Frequency Range	30Hz-1.5kHz
Net Weight	16kg

Key Parameters

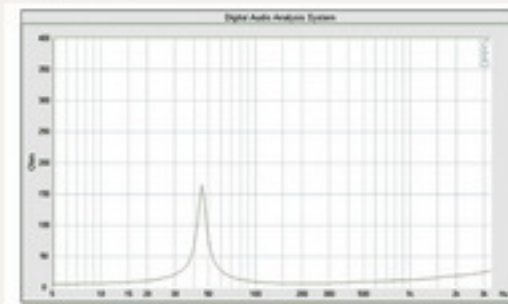
Fs	34 Hz
Qts	0.27
Vas	190L



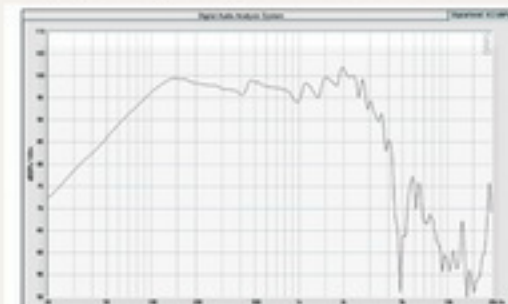
VIEW DRAWING



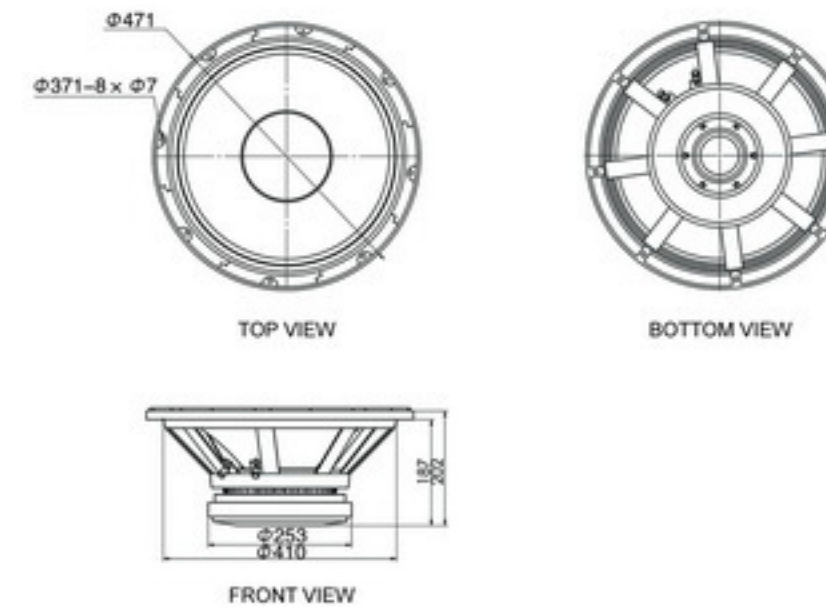
Impedance Curve



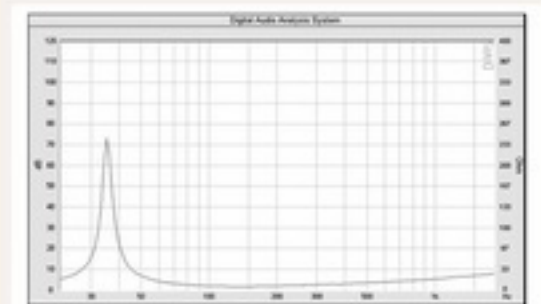
Frequency response Curve



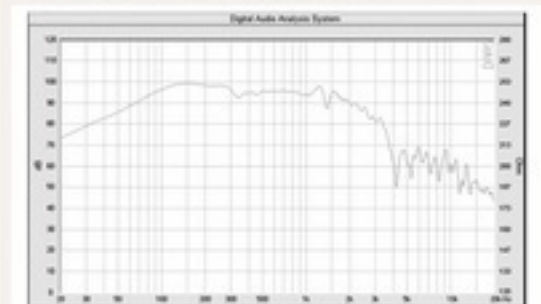
VIEW DRAWING



Impedance Curve



Frequency response Curve



FA1528H

Woofer



The two latest woofers are developed by Soundking, which have cone from UK/US, pure and full bodied tone. FA1805A & FA2101H have more than 1000W power.

SPECIFICATIONS

Nominal Diameter	15 Inch
Sensitivity(1m/1w)	97dB
Nominal Impedance	8Ω
Voice Coil Diameter	4 Inch
Power Handling	800W
Frequency Range	37Hz-3KHz
Net Weight	8.7kg

Key Parameters

Fs	37 Hz
Qts	0.26
Vas	120L

FA0830H

Woofer



FA0830H is new product, its reasonable magnets design, which makes performance be more stable; build-in copper cap make human voice be more bright and clear; aluminum flat wire voice coil promotes product's efficiency.

SPECIFICATIONS

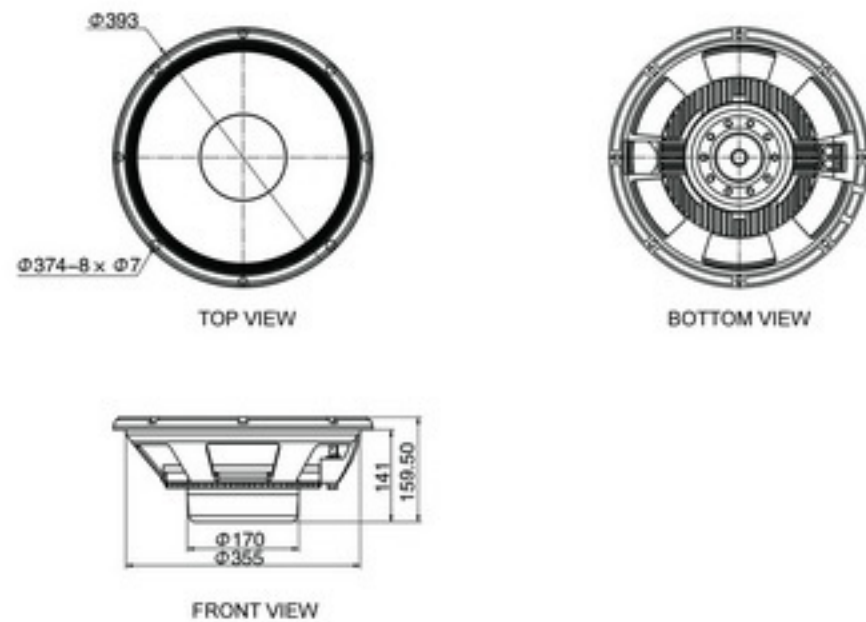
Nominal Diameter	8 Inch
Sensitivity(1m/1w)	93dB
Nominal Impedance	8Ω
Voice Coil Diameter	2 Inch
Power Handling	200W
Frequency Range	60Hz-7kHz
Net Weight	3.1kg

Key Parameters

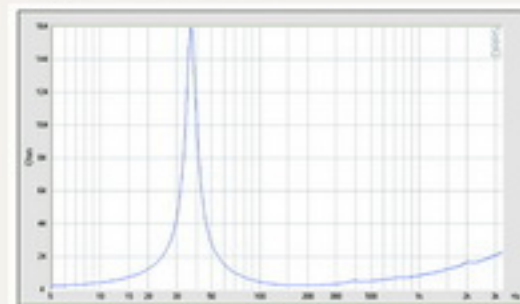
Fs	75 Hz
Qts	0.56
Vas	17.4L



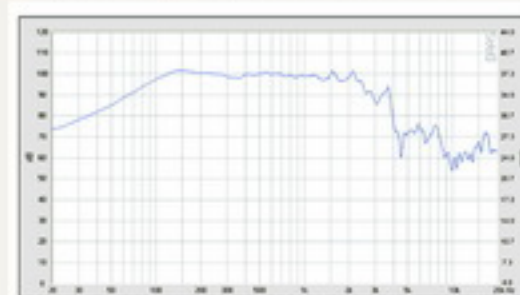
VIEW DRAWING



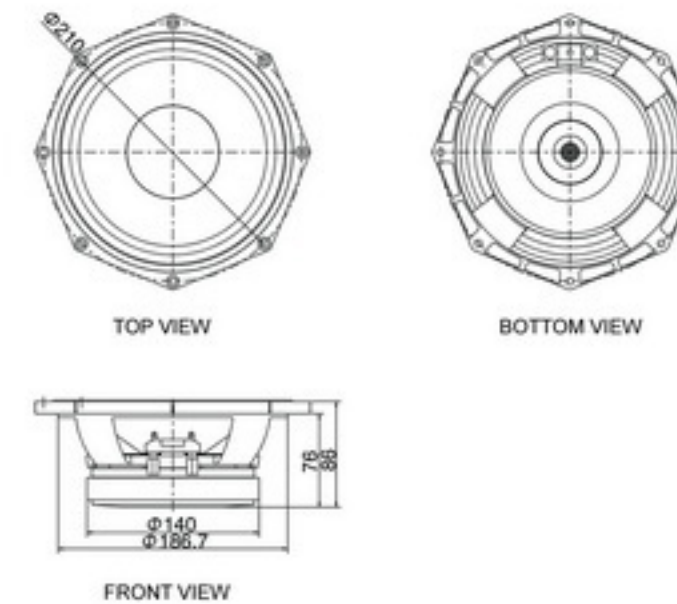
Impedance Curve



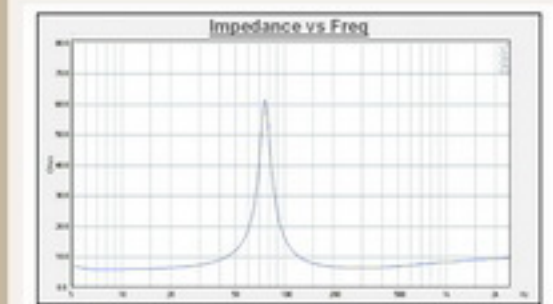
Frequency response Curve



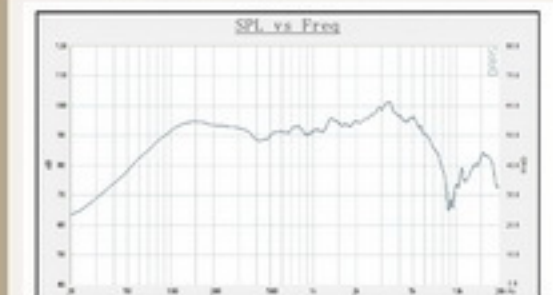
VIEW DRAWING



Impedance Curve



Frequency response Curve



FA0803G

Woofer



FA0803G, FB0827H, FA1003G are foam edge paper cone series, which supply high compliance and long strokes. The low resonance frequency is low, bass is sonorous, human voice is soft and smooth. It is suitable for KTV system and plastic cabinets.

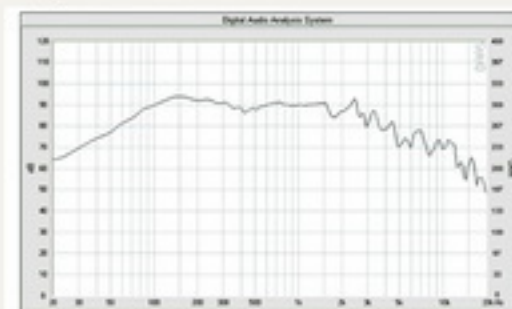
SPECIFICATIONS

Nominal Diameter	8 Inch
Sensitivity(1m/1w)	91dB
Nominal Impedance	4Ω
Voice Coil Diameter	2 Inch
Power Handling	200W
Frequency Range	45Hz-2KHz
Net Weight	2.2kg

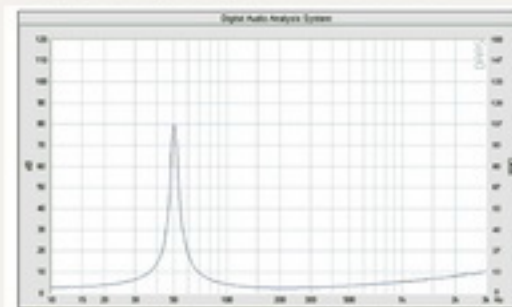
Key Parameters

Fs	50 Hz
Qts	0.33
Vas	22L

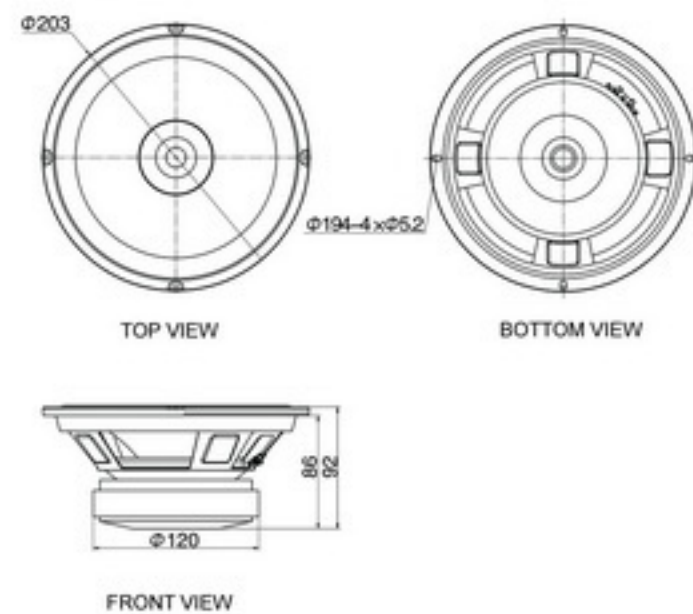
Impedance Curve



Frequency response Curve



VIEW DRAWING



FA1003G

Woofer



FA1003G, FB0827H, FA0803G are foam edge paper cone series, which supply high compliance and long strokes. The low resonance frequency is low, bass is sonorous, human voice is soft and smooth. It is suitable for KTV system and plastic cabinets.

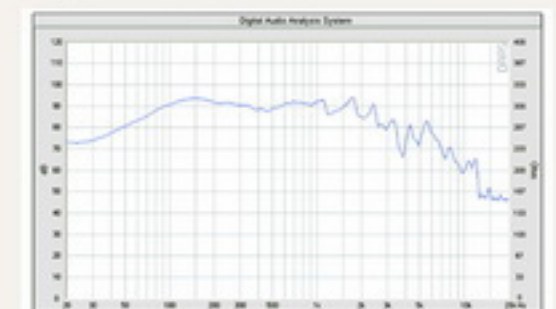
SPECIFICATIONS

Nominal Diameter	10 Inch
Sensitivity(1m/1w)	92dB
Nominal Impedance	4Ω
Voice Coil Diameter	2 Inch
Power Handling	200W
Frequency Range	34Hz-2.5KHz
Net Weight	2.75kg

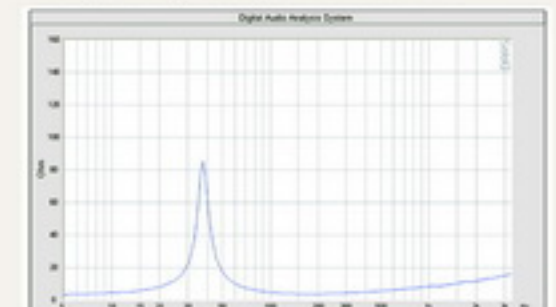
Key Parameters

Fs	37 Hz
Qts	0.31
Vas	70L

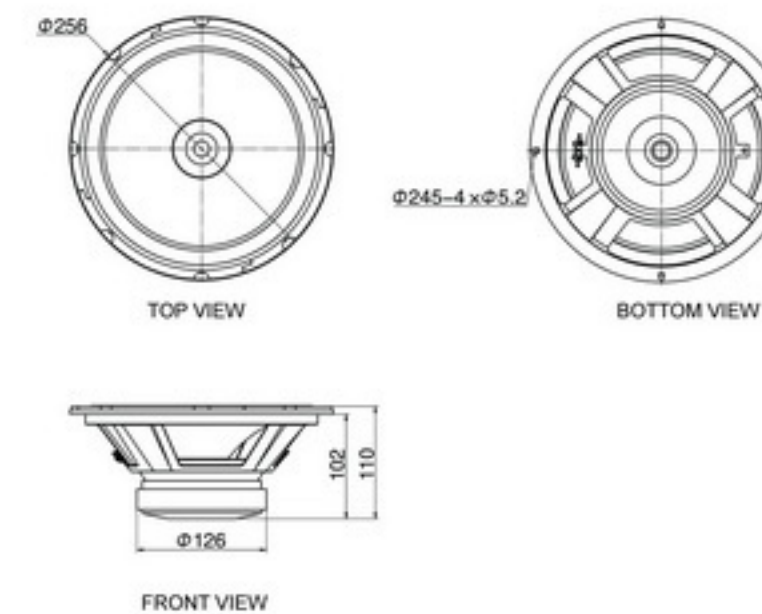
Impedance Curve



Frequency response Curve



VIEW DRAWING



FA1234G

Woofer



FA1234G, FB1027G are rubber edge series, which have good damping and compliance, flat frequency response. Tone is clean, soft, and bass is heavy. FB1027G adopts NdFeB internal magnet design of high efficiency and light weight; the speaker only weights 2kg. FB1027G and FA1234G are suitable for KTV system, high quality entertainment sound filling multi-function 2 way systems.

SPECIFICATIONS

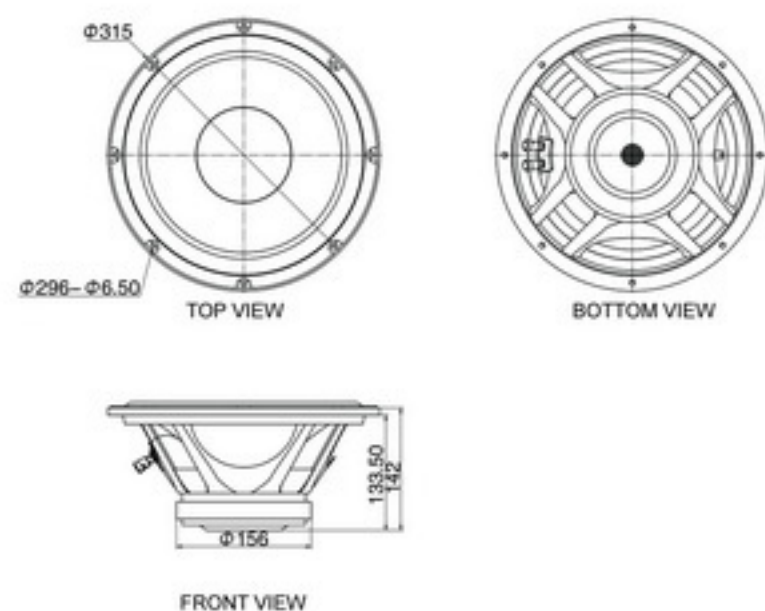
Nominal Diameter	12 Inch
Sensitivity(1m/1w)	94dB
Nominal Impedance	4Ω
Voice Coil Diameter	2.5 Inch
Power Handling	300W
Frequency Range	36Hz-4.5KHz
Net Weight	5.1kg

Key Parameters

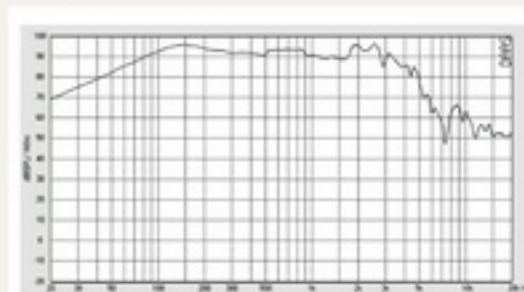
Fs	38 Hz
Qts	0.26
Vas	128L



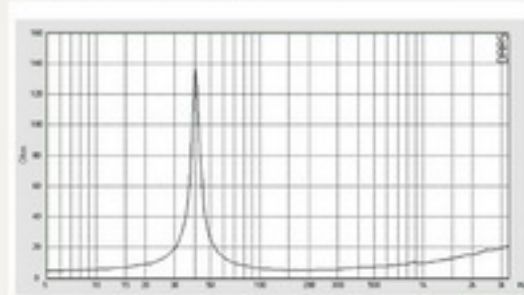
VIEW DRAWING



Impedance Curve



Frequency response Curve



FA2101H

Woofer



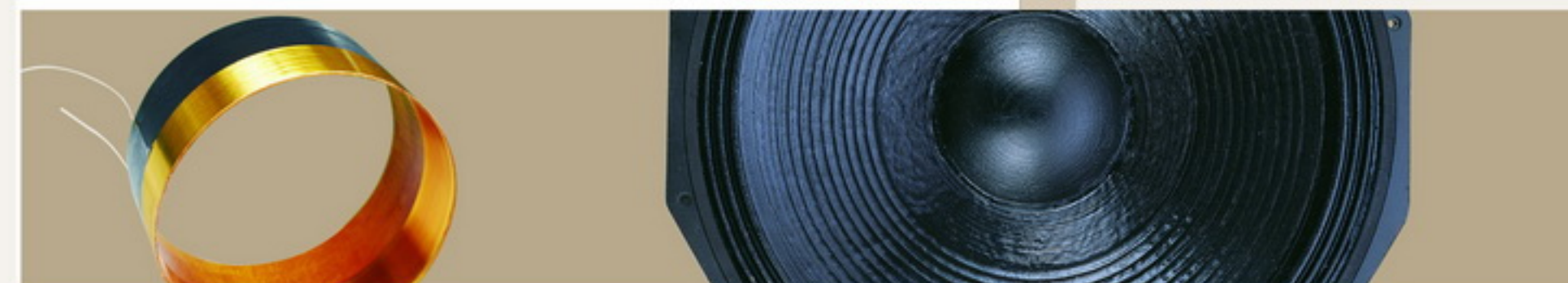
The two latest woofers are developed by Soundking, which have cone from UK/US, pure and full bodied tone. FA1805A & FA2101H have more than 1000W power.

SPECIFICATIONS

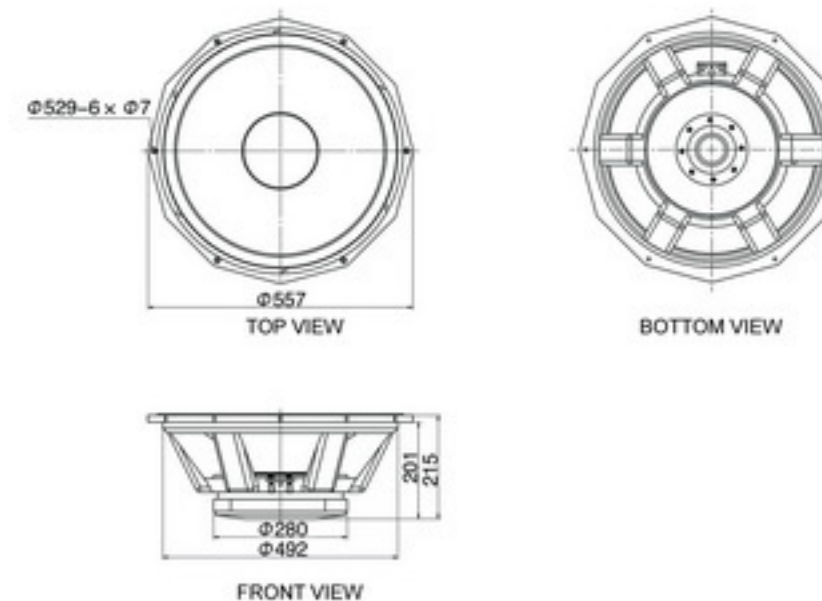
Nominal Diameter	21 Inch
Sensitivity(1m/1w)	98dB
Nominal Impedance	8Ω
Voice Coil Diameter	5 Inch
Power Handling	1200W
Frequency Range	23Hz-1.5kHz
Net Weight	22kg

Key Parameters

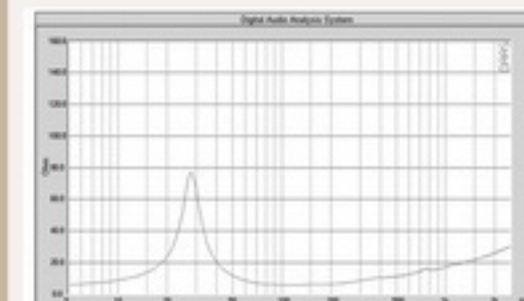
Fs	27 Hz
Qts	0.22
Vas	491L



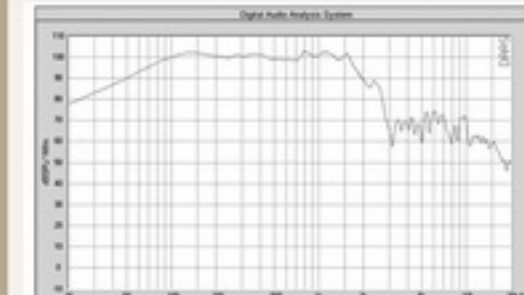
VIEW DRAWING



Impedance Curve



Frequency response Curve



FA1008H

Woofer



FA08 series are representative products of Soundking professional new speakers which have high quality, big power, magnetic system with good heat dissipation, heatproof voice coil, compound cone, powerful bass, high sensitivity. The ideal choice for two way systems.

SPECIFICATIONS

Nominal Diameter	10 Inch
Sensitivity(1m/1w)	95dB
Nominal Impedance	8Ω
Voice Coil Diameter	3 Inch
Power Handling	250W
Frequency Range	48Hz-4kHz
Net Weight	5.6kg

Key Parameters

Fs	51 Hz
Qts	0.3
Vas	32L

FA1208H

Woofer



FA08 series are representative products of Soundking professional new speakers which have high quality, big power, magnetic system with good heat dissipation, heatproof voice coil, compound cone, powerful bass, high sensitivity. The ideal choice for two way systems.

SPECIFICATIONS

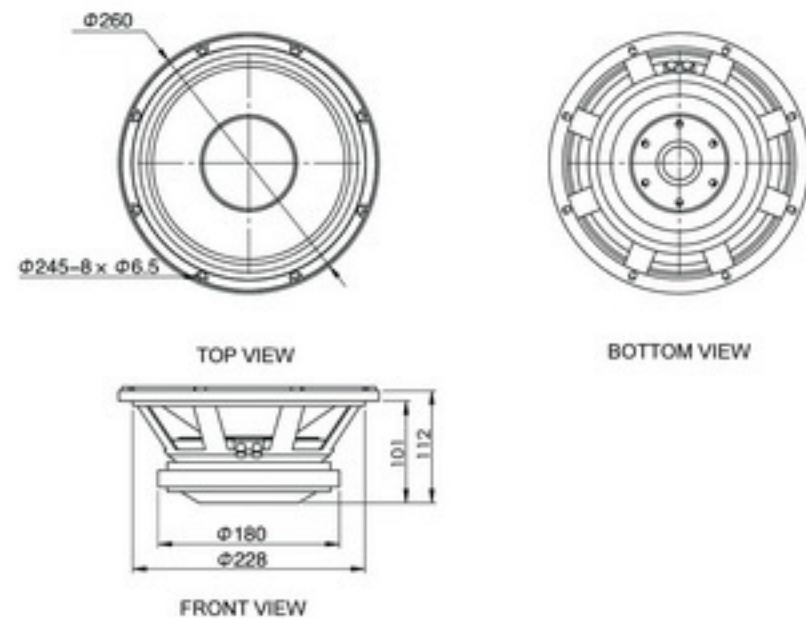
Nominal Diameter	12 Inch
Sensitivity(1m/1w)	97dB
Nominal Impedance	8Ω
Voice Coil Diameter	4 Inch
Power Handling	600W
Frequency Range	42Hz-3kHz
Net Weight	8.6kg

Key Parameters

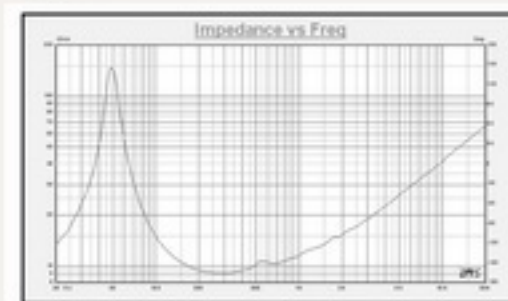
Fs	46 Hz
Qts	0.27
Vas	62L



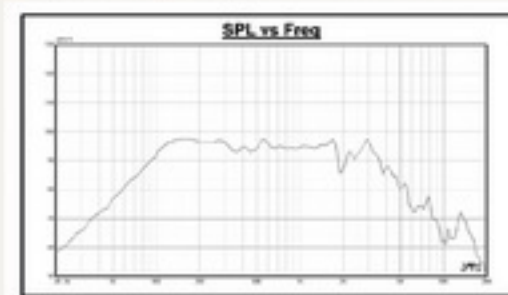
VIEW DRAWING



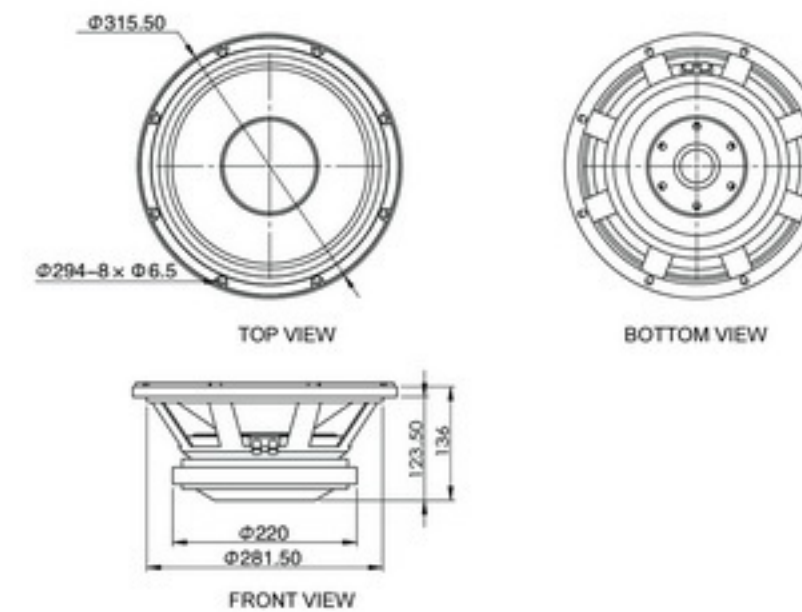
Impedance Curve



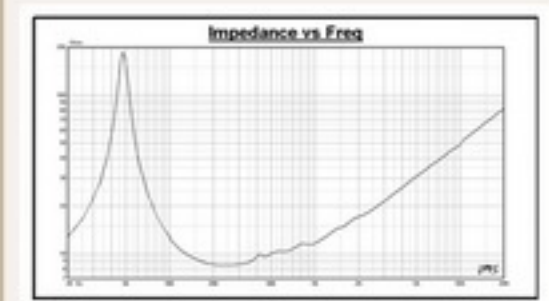
Frequency response Curve



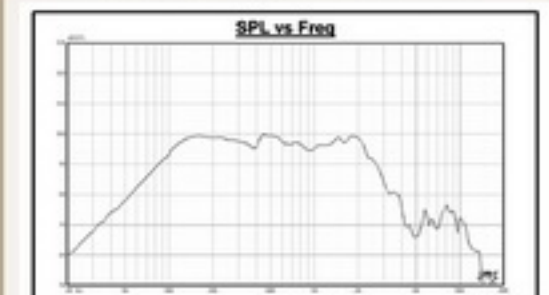
VIEW DRAWING



Impedance Curve



Frequency response Curve



FA1508H

Woofer



FA08 series are representative products of Soundking professional new speakers which have high quality, big power, magnetic system with good heat dissipation, heatproof voice coil, compound cone, powerful bass, high sensitivity. The ideal choice for two way systems.

SPECIFICATIONS

Nominal Diameter	15 Inch
Sensitivity(1m/1w)	99dB
Nominal Impedance	8Ω
Voice Coil Diameter	4 Inch
Power Handling	650W
Frequency Range	35Hz-3.5kHz
Net Weight	9.3kg

Key Parameters

Fs	38 Hz
Qts	0.36
Vas	128L

FA1808H

Woofer



FA08 series are representative products of Soundking professional new speakers which have high quality, big power, magnetic system with good heat dissipation, heatproof voice coil, compound cone, powerful bass, high sensitivity. The ideal choice for two way systems.

SPECIFICATIONS

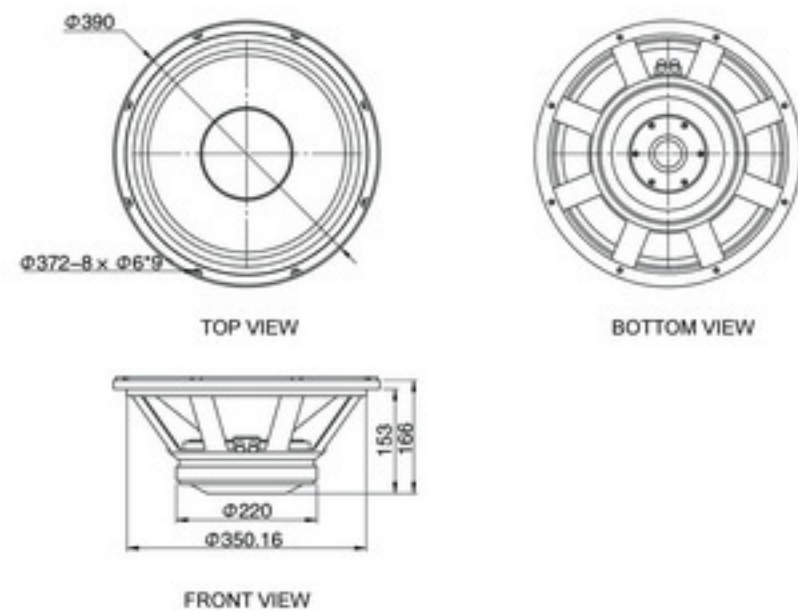
Nominal Diameter	18 Inch
Sensitivity(1m/1w)	95dB
Nominal Impedance	8Ω
Voice Coil Diameter	4 Inch
Power Handling	700W
Frequency Range	27Hz-2kHz
Net Weight	16kg

Key Parameters

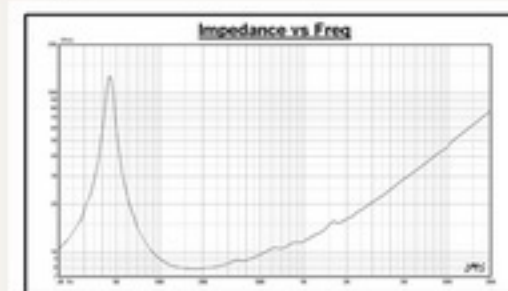
Fs	30 Hz
Qts	0.34
Vas	332L



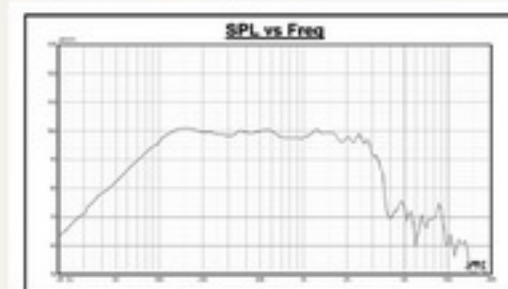
VIEW DRAWING



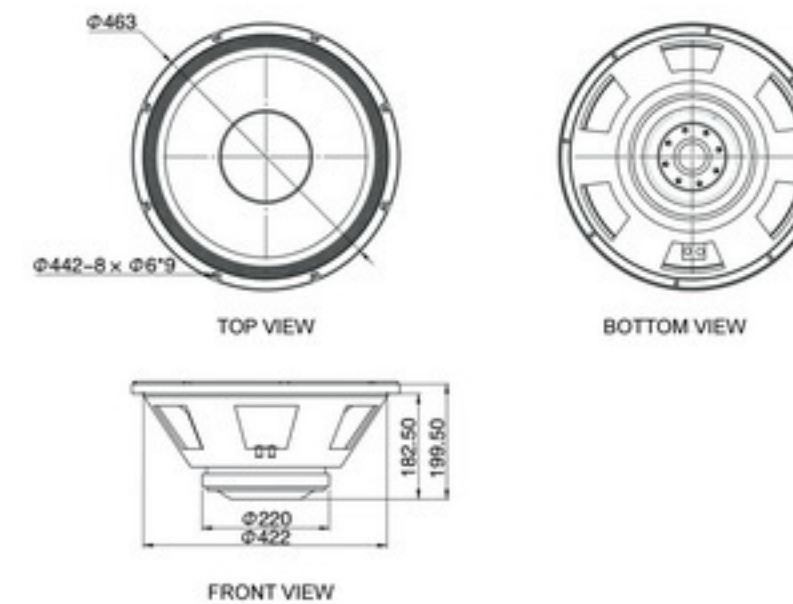
Impedance Curve



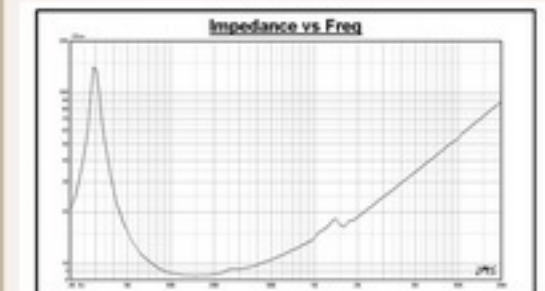
Frequency response Curve



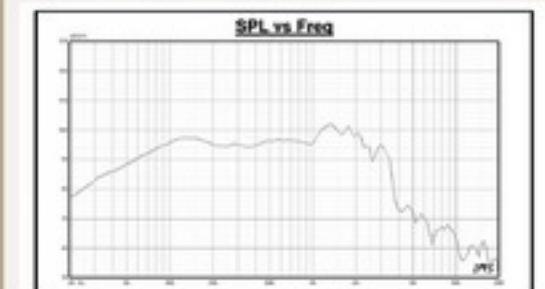
VIEW DRAWING



Impedance Curve



Frequency response Curve



FB1228H

Woofer



FB1228H, FA1528H are NdFeB internal magnet big power series, which use annular reinforcing rib to increase paper cone's solid and enlarge middle frequency response. They adopt NdFeB internal magnet circuit, which features advantages of magnetic leakage-proof, high efficiency, low distortion and light weight. It works together with good heat dissipation system to give big power to speaker. FB1228H and FA1528H feature excellent bass effect and clear human voice, are suitable for line-array speaker, long-distance speaker and horn speaker etc.

SPECIFICATIONS

Nominal Diameter	12 Inch
Sensitivity(1m/1w)	96dB
Nominal Impedance	8Ω
Voice Coil Diameter	4 Inch
Power Handling	700W
Frequency Range	45Hz-2KHz
Net Weight	8kg

Key Parameters

Fs	42 Hz
Qts	0.22
Vas	46L

FB1528H

Woofer



FB1528H speaker features particular aluminum modulation loop to decrease distortion and promote heat radiation of voice coil. 4 inches high temperature-resistance copper flat-wire voice coil utilizes magnetic field efficiency at maximum, the sensitivity can reach 99dB, and it is suitable for 2 way and multi-way professional sound reinforcement system.

SPECIFICATIONS

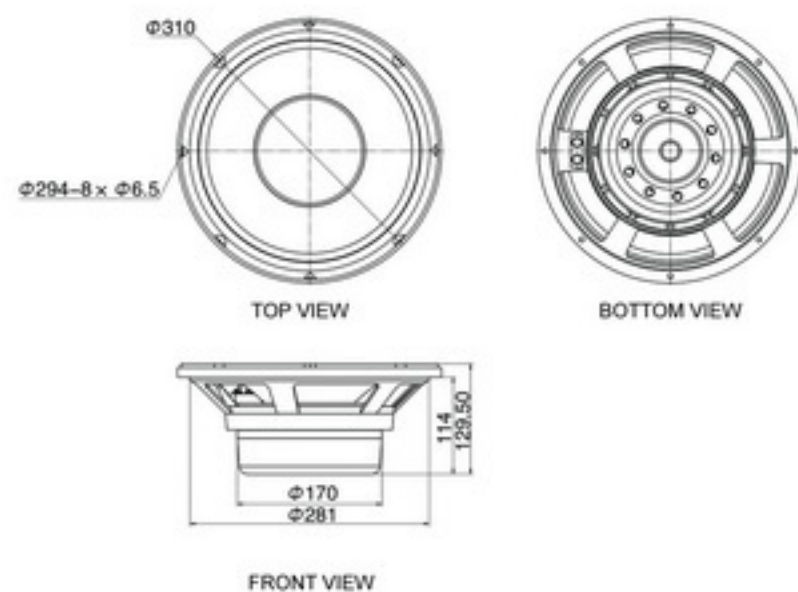
Nominal Diameter	15 Inch
Sensitivity(1m/1w)	99dB
Nominal Impedance	8Ω
Voice Coil Diameter	4 Inch
Power Handling	500W
Frequency Range	42Hz-3KHz
Net Weight	11kg

Key Parameters

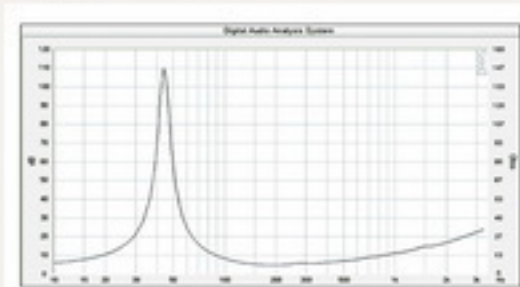
Fs	38 Hz
Qts	0.26
Vas	128L



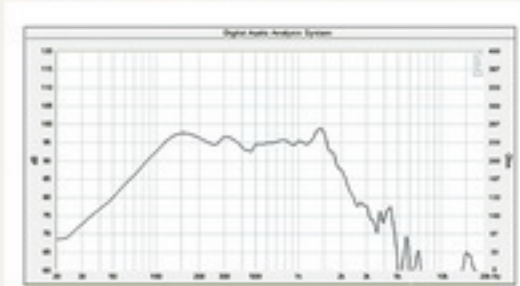
VIEW DRAWING



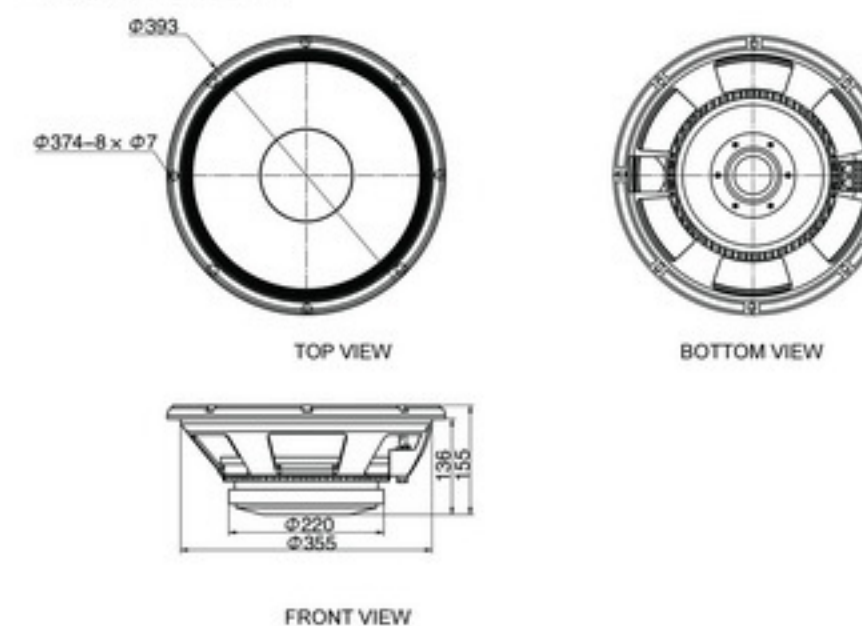
Impedance Curve



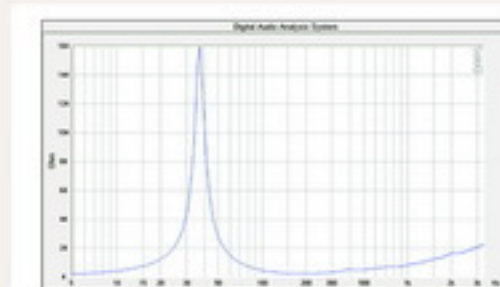
Frequency response Curve



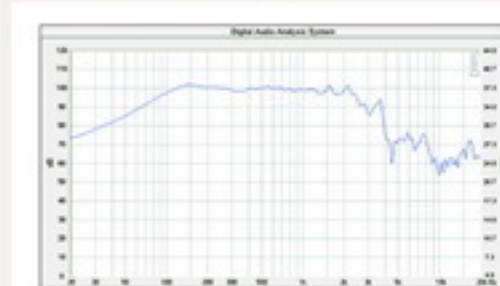
VIEW DRAWING



Impedance Curve



Frequency response Curve



FB1016H-1

Woofer



● FB16H-1 series has three types: FB1016H-1, FB1216H-1 and FB1516H-1, are the improved version on FB16H series base. FB1016H-1 and FB1216H-1 adopt copper clad aluminum flat wire voice coil to improve product efficiency. Dual aluminum loop decreases distortion, makes human voice, clear, full, strength and more powerful.

SPECIFICATIONS

Nominal Diameter	10 Inch
Sensitivity(1m/1w)	95dB
Nominal Impedance	8Ω
Voice Coil Diameter	2.5 Inch
Power Handling	250W
Frequency Range	60Hz-6kHz
Net Weight	5.3kg

Key Parameters

Fs	75 Hz
Qts	0.38
Vas	32L

FB1216H-1

Woofer



● FB16H-1 series has three types: FB1016H-1, FB1216H-1 and FB1516H-1, are the improved version on FB16H series base. FB1016H-1 and FB1216H-1 adopt copper clad aluminum flat wire voice coil to improve product efficiency. Dual aluminum loop decreases distortion, makes human voice, clear, full, strength and more powerful.

SPECIFICATIONS

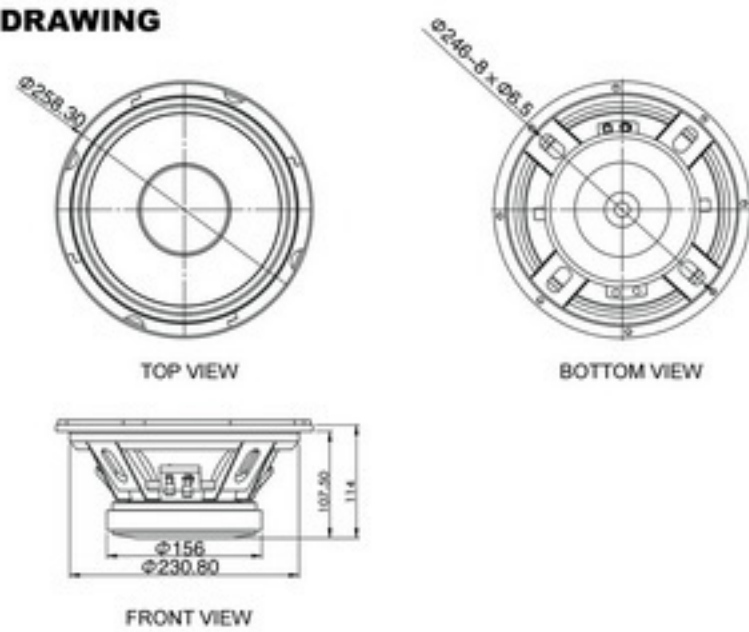
Nominal Diameter	12 Inch
Sensitivity(1m/1w)	97dB
Nominal Impedance	8Ω
Voice Coil Diameter	3 Inch
Power Handling	300W
Frequency Range	45Hz-5kHz
Net Weight	6.0kg

Key Parameters

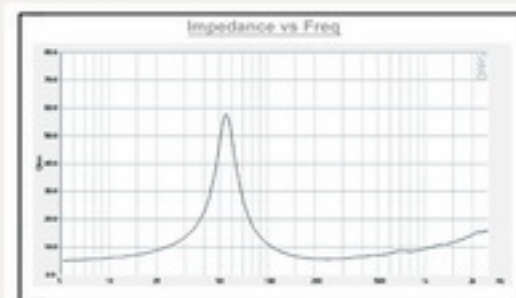
Fs	52 Hz
Qts	0.39
Vas	58L



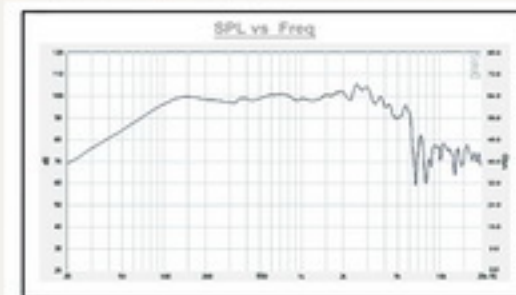
VIEW DRAWING



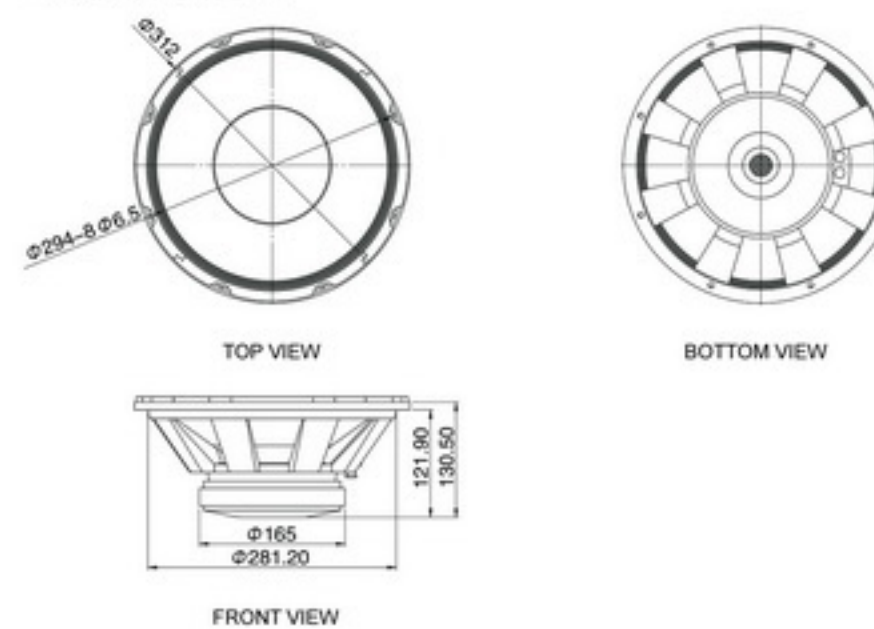
Impedance Curve



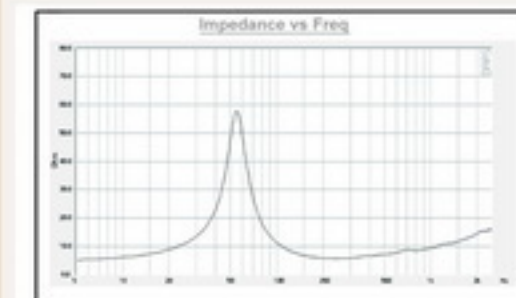
Frequency response Curve



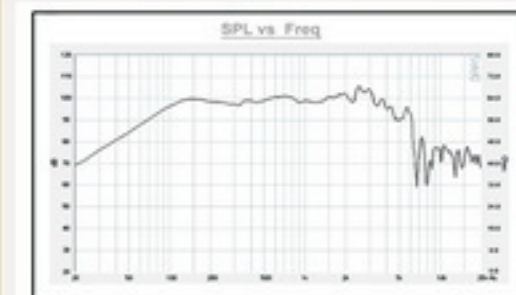
VIEW DRAWING



Impedance Curve



Frequency response Curve



FB1516H-1

Woofer



● FB16H-1 series has three types: FB1016H-1, FB1216H-1 and FB1516H-1, are the improved version on FB16H series base. FB1016H-1 and FB1216H-1 adopt copper clad aluminum flat wire voice coil to improve product efficiency. Dual aluminum loop decreases distortion, makes human voice, clear, full, strength and more powerful.

SPECIFICATIONS

Nominal Diameter	15 Inch
Sensitivity(1m/1w)	99dB
Nominal Impedance	8Ω
Voice Coil Diameter	3 Inch
Power Handling	350W
Frequency Range	35Hz-5kHz
Net Weight	7.0kg

Key Parameters

Fs	50 Hz
Qts	0.33
Vas	170L

FB0818H

Woofer



● FB18 series includes FB0818H, FB1018H, FB1218H, FB1518H, FB1818H and FB1519H which have pure and full bodies tone, high power. Especially, the LF power of FB1519H and FB1818H reaches more than 700W. This series of speakers are used in the professional application in multi-function hall, meeting room, auditorium, club, monitoring or supplement of stage show and entertainment place.

SPECIFICATIONS

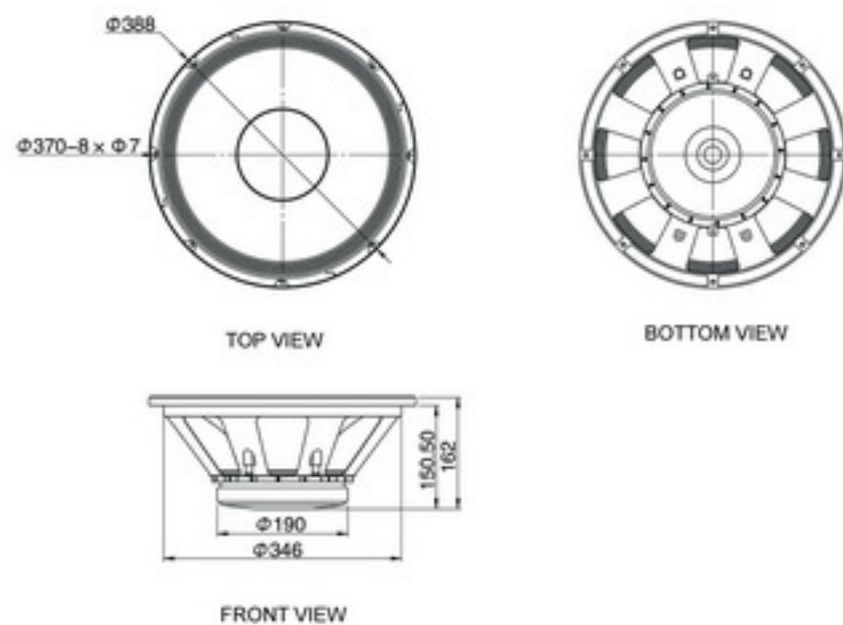
Nominal Diameter	8 Inch
Sensitivity(1m/1w)	94dB
Nominal Impedance	8Ω
Voice Coil Diameter	2 Inch
Power Handling	150W
Frequency Range	66Hz-4kHz
Net Weight	4.0kg

Key Parameters

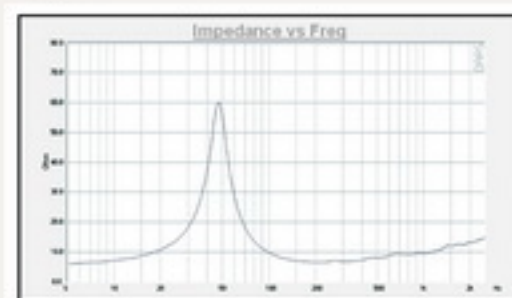
Fs	70 Hz
Qts	0.38
Vas	13L



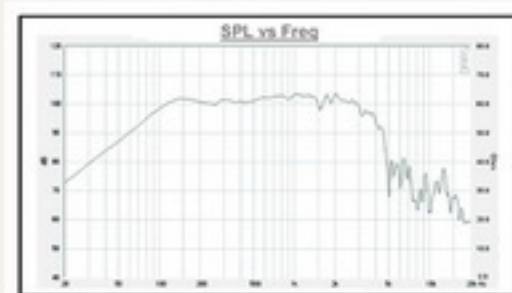
VIEW DRAWING



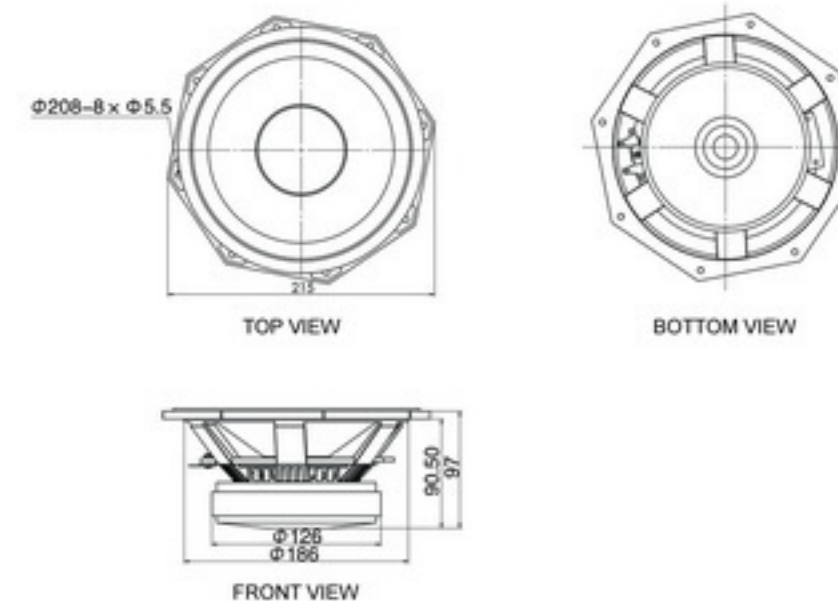
Impedance Curve



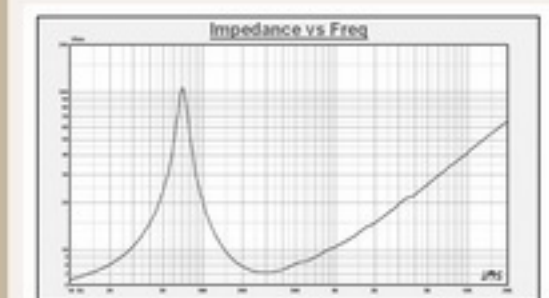
Frequency response Curve



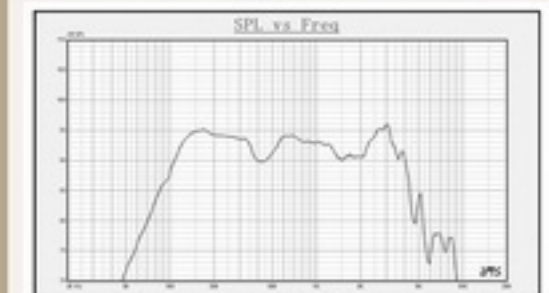
VIEW DRAWING



Impedance Curve



Frequency response Curve



FB1018H

Woofer



● FB18 series includes FB0818H, FB1018H, FB1218H, FB1518H, FB1818H and FB1519H which have pure and full bodies tone, high power. Especially, the LF power of FB1519H and FB1818H reaches more than 700W. This series of speakers are utilized in the professional application in multi-function hall, meeting room, auditorium, club, monitoring or supplement of stage show and entertainment place.

SPECIFICATIONS

Nominal Diameter	10 Inch
Sensitivity(1m/1w)	95dB
Nominal Impedance	8Ω
Voice Coil Diameter	2.5 Inch
Power Handling	200W
Frequency Range	45Hz-4kHz
Net Weight	4.5kg

Key Parameters

Fs	52 Hz
Qts	0.3
Vas	48L

FB1218H

Woofer



● FB18 series includes FB0818H, FB1018H, FB1218H, FB1518H, FB1818H and FB1519H which have pure and full bodies tone, high power. Especially, the LF power of FB1519H and FB1818H reaches more than 700W. This series of speakers are utilized in the professional application in multi-function hall, meeting room, auditorium, club, monitoring or supplement of stage show and entertainment place.

SPECIFICATIONS

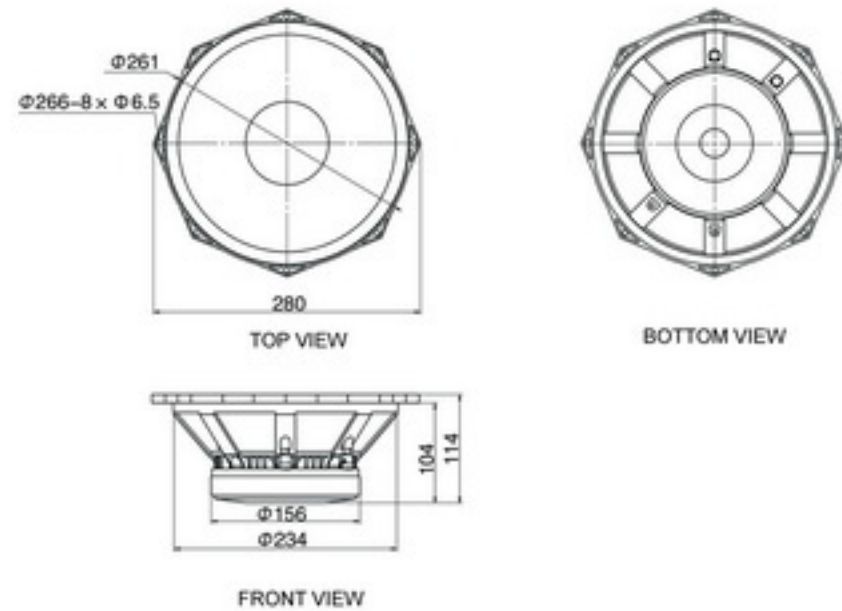
Nominal Diameter	12 Inch
Sensitivity(1m/1w)	96dB
Nominal Impedance	8Ω
Voice Coil Diameter	3 Inch
Power Handling	250W
Frequency Range	35Hz-4kHz
Net Weight	5.3kg

Key Parameters

Fs	39 Hz
Qts	0.3
Vas	65.8L



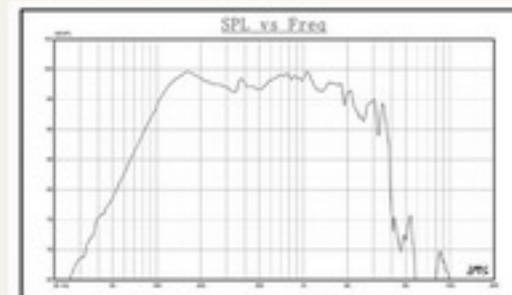
VIEW DRAWING



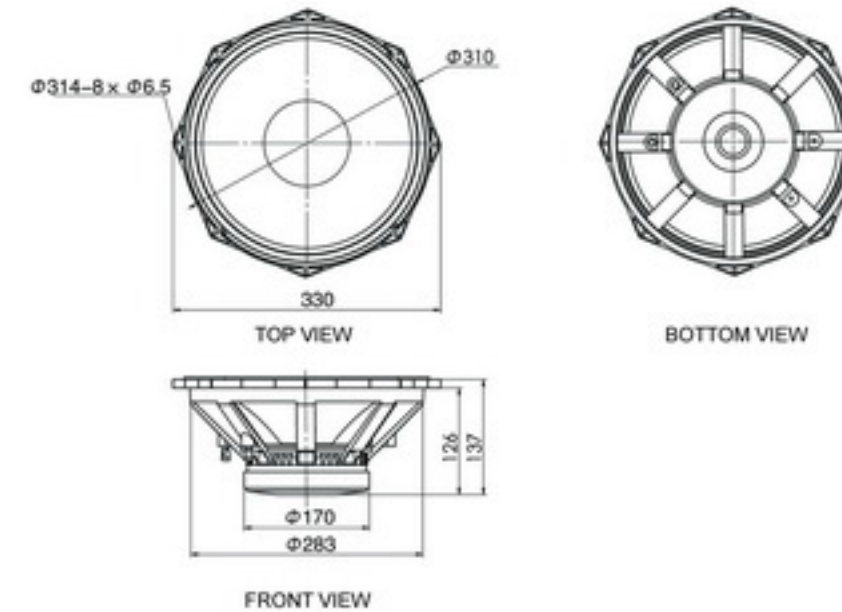
Impedance Curve



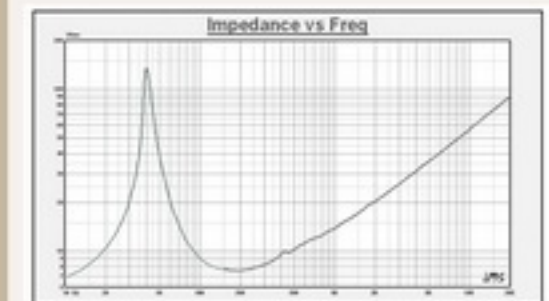
Frequency response Curve



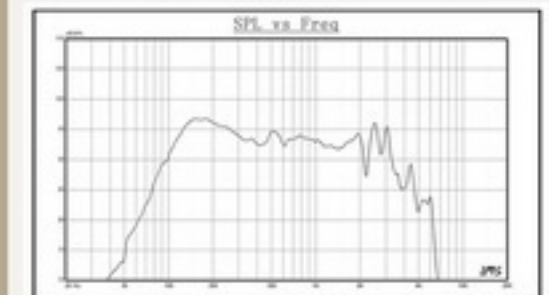
VIEW DRAWING



Impedance Curve



Frequency response Curve



FB1518H

Woofer



FB18 series includes FB0818H, FB1018H, FB1218H, FB1518H, FB1818H and FB1519H which have pure and full bodies tone, high power. Especially, the LF power of FB1519H and FB1818H reaches more than 700W. This series of speakers are utilized in the professional application in multi-function hall, meeting room, auditorium, club, monitoring or supplement of stage show and entertainment place.

SPECIFICATIONS

Nominal Diameter	15 Inch
Sensitivity(1m/1w)	98dB
Nominal Impedance	8Ω
Voice Coil Diameter	3 Inch
Power Handling	350W
Frequency Range	30Hz-3.5KHz
Net Weight	7.8kg

Key Parameters

Fs	38 Hz
Qts	0.26
Vas	180L

FB1818H

Woofer



FB18 series includes FB0818H, FB1018H, FB1218H, FB1518H, FB1818H and FB1519H which have pure and full bodies tone, high power. Especially, the LF power of FB1519H and FB1818H reaches more than 700W. This series of speakers are utilized in the professional application in multi-function hall, meeting room, auditorium, club, monitoring or supplement of stage show and entertainment place.

SPECIFICATIONS

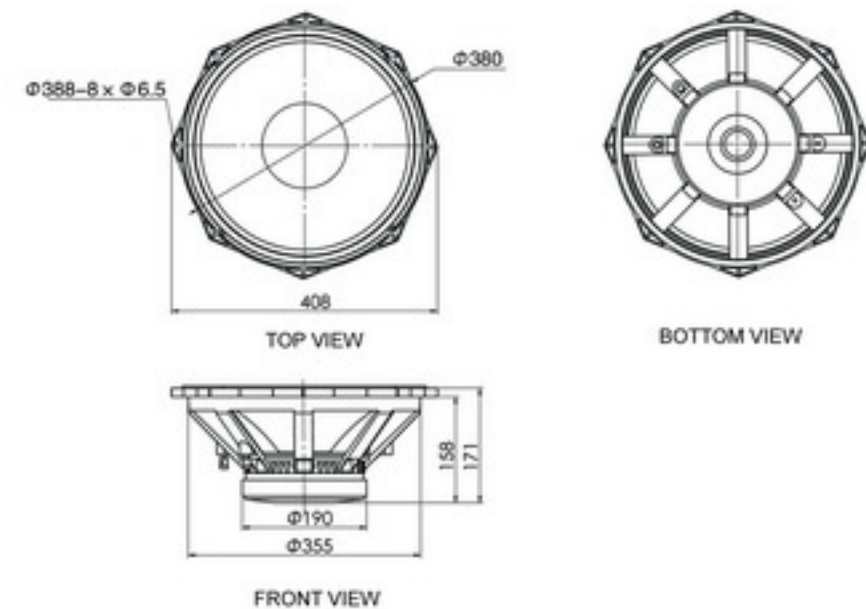
Nominal Diameter	18 Inch
Sensitivity(1m/1w)	98dB
Nominal Impedance	8Ω
Voice Coil Diameter	4 Inch
Power Handling	800W
Frequency Range	28Hz-1.5kHz
Net Weight	13kg

Key Parameters

Fs	34 Hz
Qts	0.35
Vas	185L



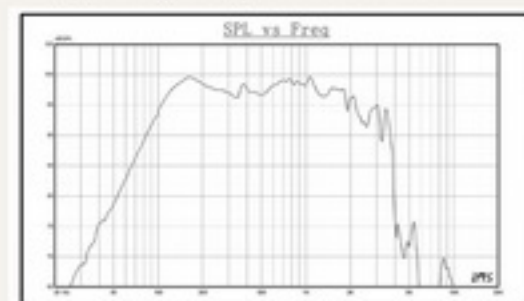
VIEW DRAWING



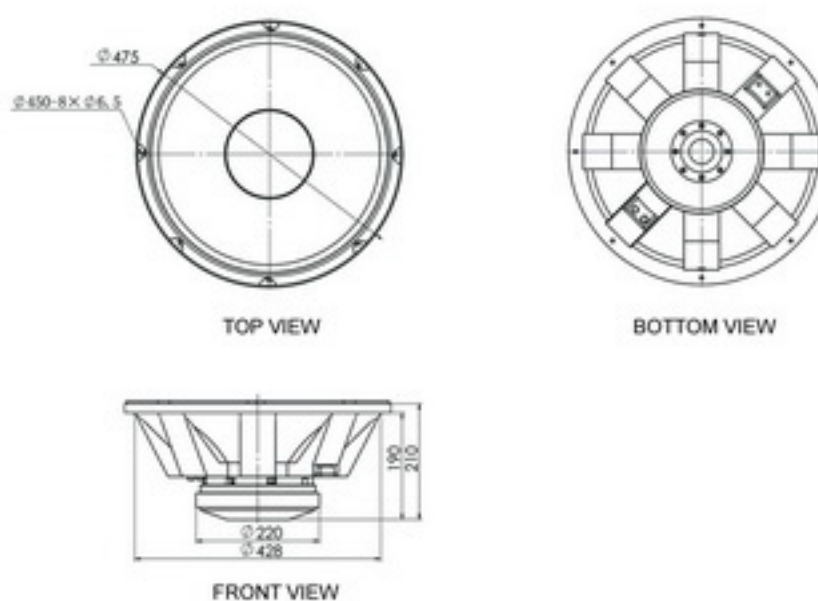
Impedance Curve



Frequency response Curve



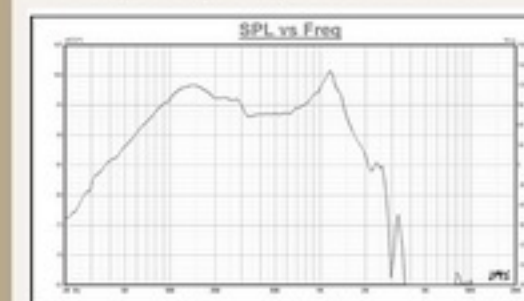
VIEW DRAWING



Impedance Curve



Frequency response Curve



FB1519H

Woofer



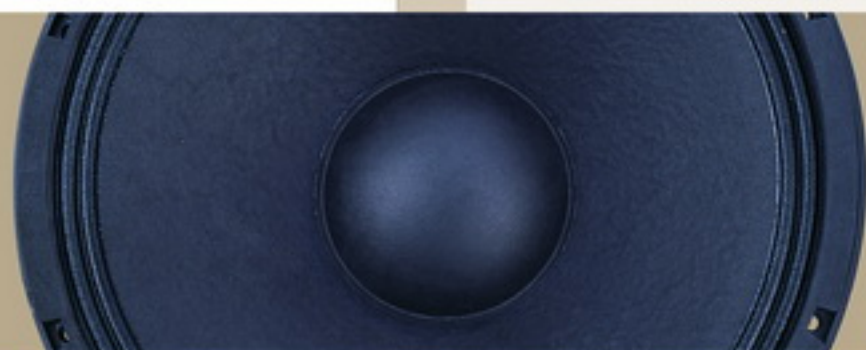
● FB1519H is a subwoofer with heat dissipation magnetic system, heat resistant voice coil for more than 700W rated power. FB1519H is mainly utilized in big power sub-system.

SPECIFICATIONS

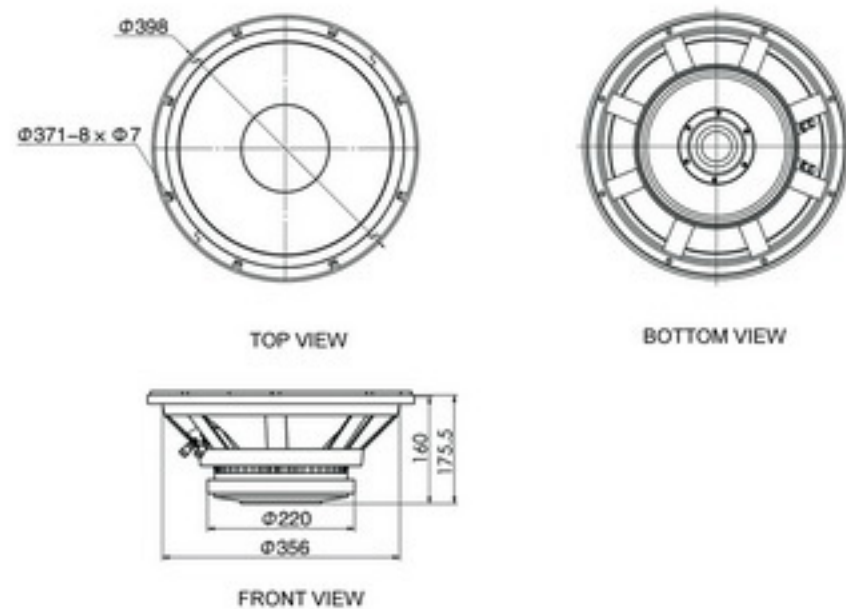
Nominal Diameter	15 Inch
Sensitivity(1m/1w)	97dB
Nominal Impedance	8Ω
Voice Coil Diameter	4 Inch
Power Handling	700W
Frequency Range	33Hz-2kHz
Net Weight	9.5kg

Key Parameters

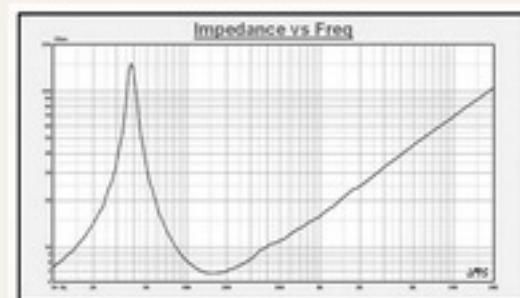
Fs	38 Hz
Qts	0.29
Vas	125L



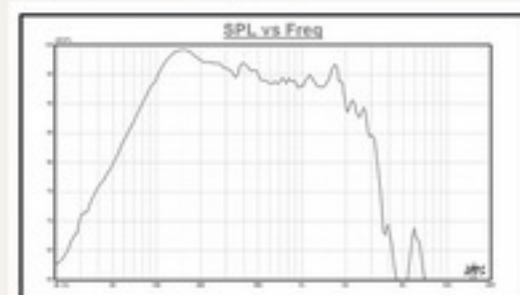
VIEW DRAWING



Impedance Curve



Frequency response Curve



FB1021H

Woofer



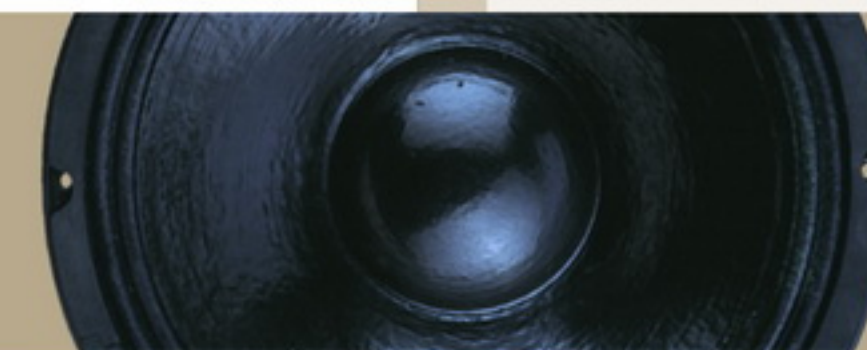
● FB21 series includes FB1021H, FB1221H, FB1521H which are MF/LF speakers and have high sensitivity, big power, low distortion. The symmetrical magnetic configuration is used to reduce distortion. The voice coil adopts heat resistance windings for higher power operation. This series suits for two way and multi-way professional reinforcement system.

SPECIFICATIONS

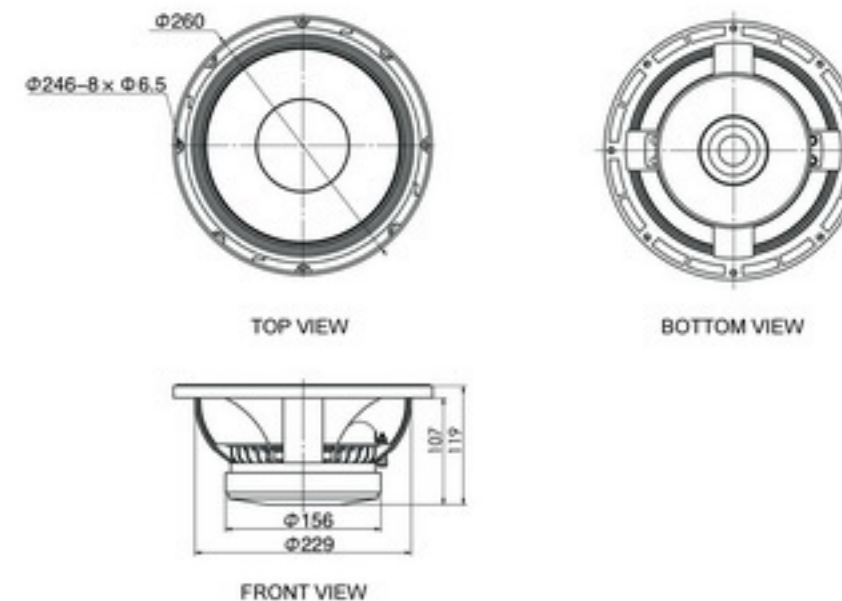
Nominal Diameter	10 Inch
Sensitivity(1m/1w)	96.5dB
Nominal Impedance	8Ω
Voice Coil Diameter	2.5 Inch
Power Handling	250W
Frequency Range	50Hz-4kHz
Net Weight	4.2kg

Key Parameters

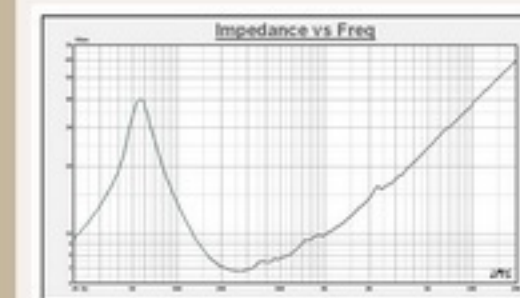
Fs	54 Hz
Qts	0.25
Vas	43L



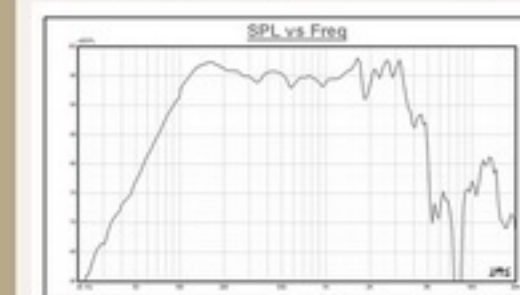
VIEW DRAWING



Impedance Curve



Frequency response Curve



FB1221H

Woofer



● FB21 series includes FB1021H, FB1221H, FB1521H which are MF/LF speakers and have high sensitivity, big power, low distortion. The symmetrical magnetic configuration is used to reduce distortion. The voice coil adopts heat resistance windings for higher power operation. This series suits for two way and multi-way professional reinforcement system.

SPECIFICATIONS

Nominal Diameter	12 Inch
Sensitivity(1m/1w)	98.5dB
Nominal Impedance	8Ω
Voice Coil Diameter	3 Inch
Power Handling	350W
Frequency Range	47Hz-5kHz
Net Weight	4.8kg

Key Parameters

Fs	50 Hz
Qts	0.3
Vas	97L

FB1521H

Woofer



● FB21 series includes FB1021H, FB1221H, FB1521H which are MF/LF speakers and have high sensitivity, big power, low distortion. The symmetrical magnetic configuration is used to reduce distortion. The voice coil adopts heat resistance windings for higher power operation. This series suits for two way and multi-way professional reinforcement system.

SPECIFICATIONS

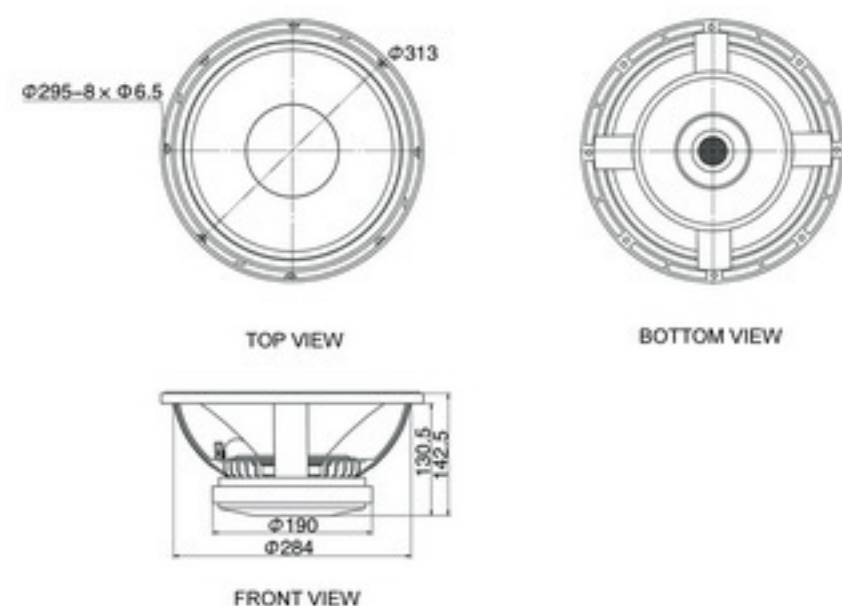
Nominal Diameter	15 Inch
Sensitivity(1m/1w)	99dB
Nominal Impedance	8Ω
Voice Coil Diameter	3 Inch
Power Handling	350W
Frequency Range	40Hz-4kHz
Net Weight	6.1kg

Key Parameters

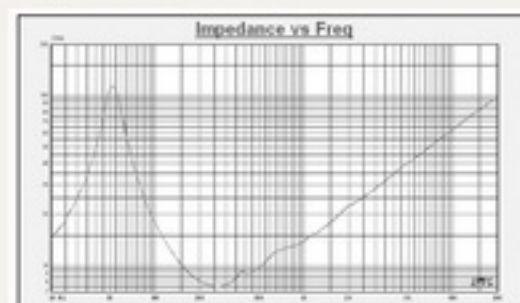
Fs	45 Hz
Qts	0.32
Vas	110L



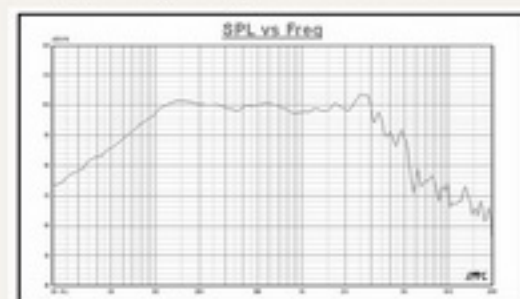
VIEW DRAWING



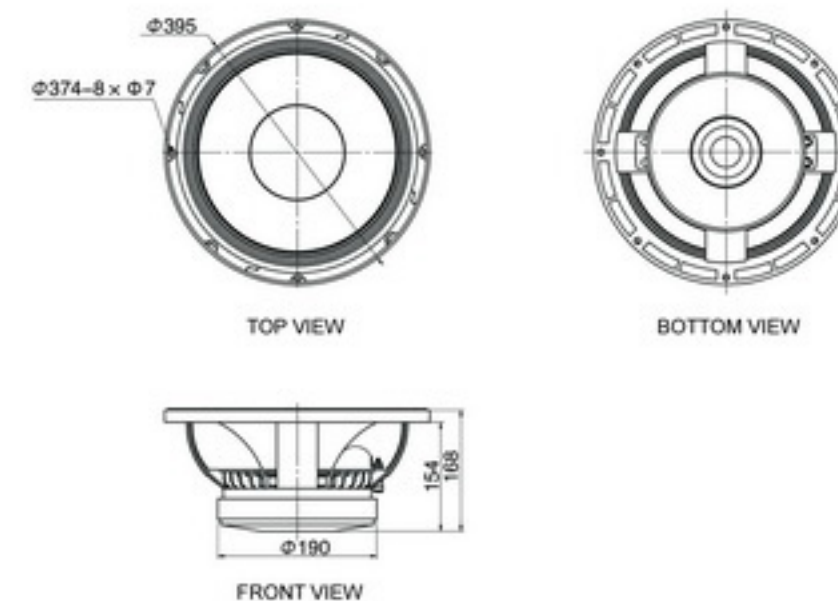
Impedance Curve



Frequency response Curve



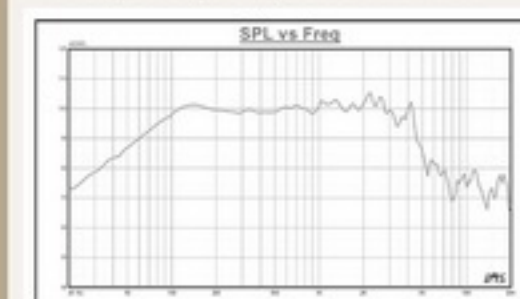
VIEW DRAWING



Impedance Curve



Frequency response Curve



FB1022H

Woofer



● FB22 series of speakers use new line magnetic technology, compared to similar products, for better performance, higher sensitivity, more reliable. SFG symmetrical magnetic technology has balanced flux to efficiently control LF distortion, and to improve power and damping factor. All the speakers use heat resistance voice coil and cone from US. FB22 series of woofers have big power, flat/clear/full bodied tone, high resolution, and compact/elegant appearances. Some of the Soundking cabinets have successfully replaced well known speakers in the world.

SPECIFICATIONS

Nominal Diameter	10 Inch
Sensitivity(1m/1w)	97dB
Nominal Impedance	8Ω
Voice Coil Diameter	2.5 Inch
Power Handling	250W
Frequency Range	45Hz-4kHz
Net Weight	5.5kg

Key Parameters

Fs	50Hz
Qts	0.28
Vas	54L

FB1222H

Woofer



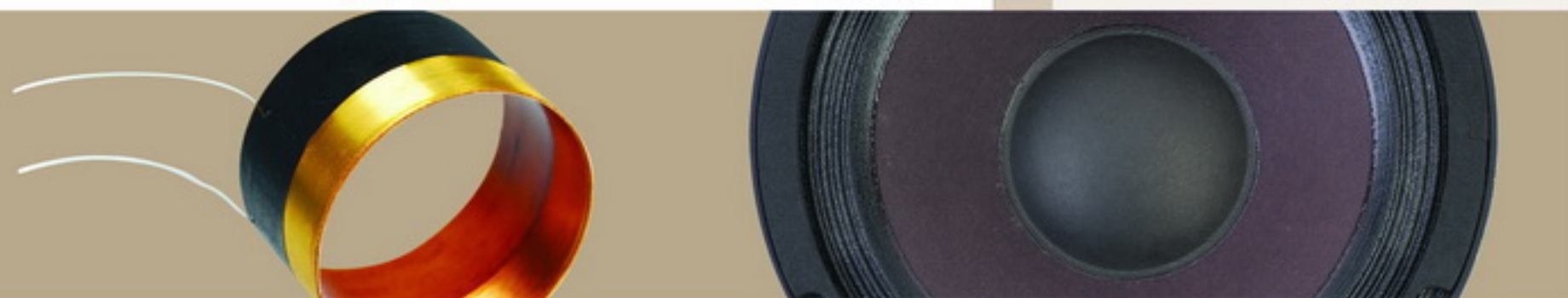
● FB22 series of speakers use new line magnetic technology, compared to similar products, for better performance, higher sensitivity, more reliable. SFG symmetrical magnetic technology has balanced flux to efficiently control LF distortion, and to improve power and damping factor. All the speakers use heat resistance voice coil and cone from US. FB22 series of woofers have big power, flat/clear/full bodied tone, high resolution, and compact/elegant appearances. Some of the Soundking cabinets have successfully replaced well known speakers in the world.

SPECIFICATIONS

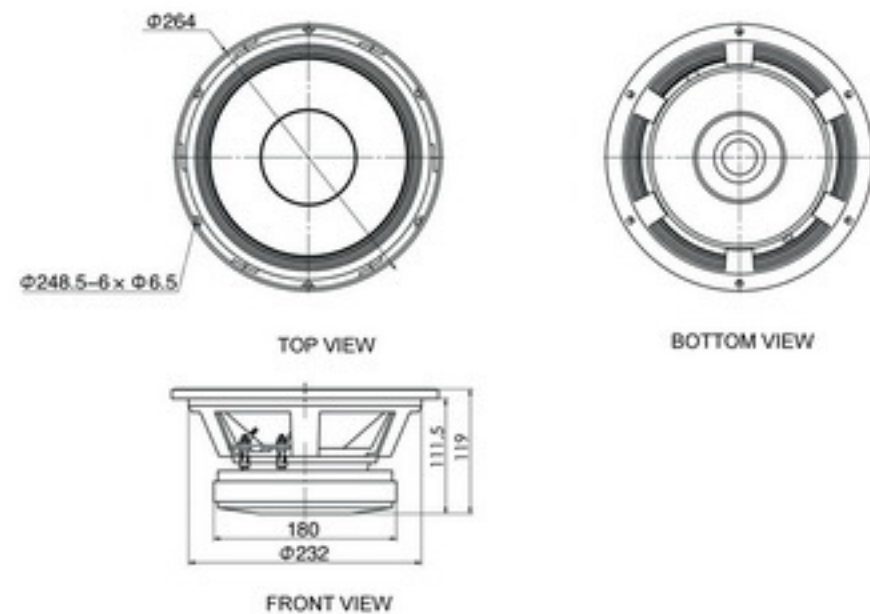
Nominal Diameter	12 Inch
Sensitivity(1m/1w)	98.5dB
Nominal Impedance	8Ω
Voice Coil Diameter	3 Inch
Power Handling	350W
Frequency Range	48Hz-4kHz
Net Weight	7kg

Key Parameters

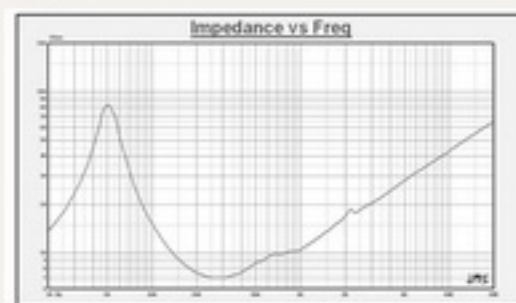
Fs	50 Hz
Qts	0.3
Vas	75L



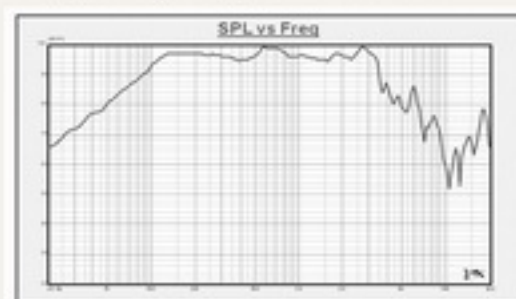
VIEW DRAWING



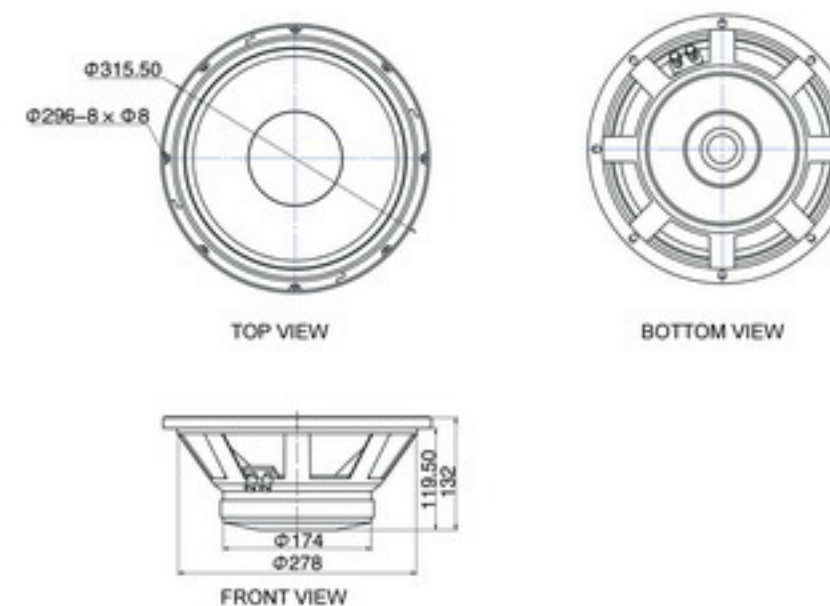
Impedance Curve



Frequency response Curve



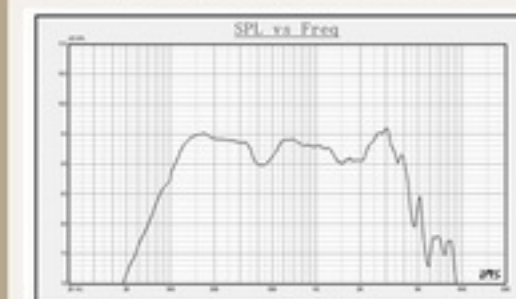
VIEW DRAWING



Impedance Curve



Frequency response Curve



FB1522H

Woofer



FB22 series of speakers use new line magnetic technology, compared to similar products, for better performance, higher sensitivity, more reliable. SFG symmetrical magnetic technology has balanced flux to efficiently control LF distortion, and to improve power and damping factor. All the speakers use heat resistance voice coil and cone from US. FB22 series of woofers have big power, flat/clear/full bodied tone, high resolution, and compact/elegant appearances. Some of the Soundking cabinets have successfully replaced well known speakers in the world.

SPECIFICATIONS

Nominal Diameter	15 Inch
Sensitivity(1m/1w)	99dB
Nominal Impedance	8Ω
Voice Coil Diameter	3 Inch
Power Handling	400W
Frequency Range	35Hz-4kHz
Net Weight	8.05kg

Key Parameters

Fs	40Hz
Qts	0.38
Vas	180L

FB1822H

Woofer



FB22 series of speakers use new line magnetic technology, compared to similar products, for better performance, higher sensitivity, more reliable. SFG symmetrical magnetic technology has balanced flux to efficiently control LF distortion, and to improve power and damping factor. All the speakers use heat resistance voice coil and cone from US. FB22 series of woofers have big power, flat/clear/full bodied tone, high resolution, and compact/elegant appearances. Some of the Soundking cabinets have successfully replaced well known speakers in the world.

SPECIFICATIONS

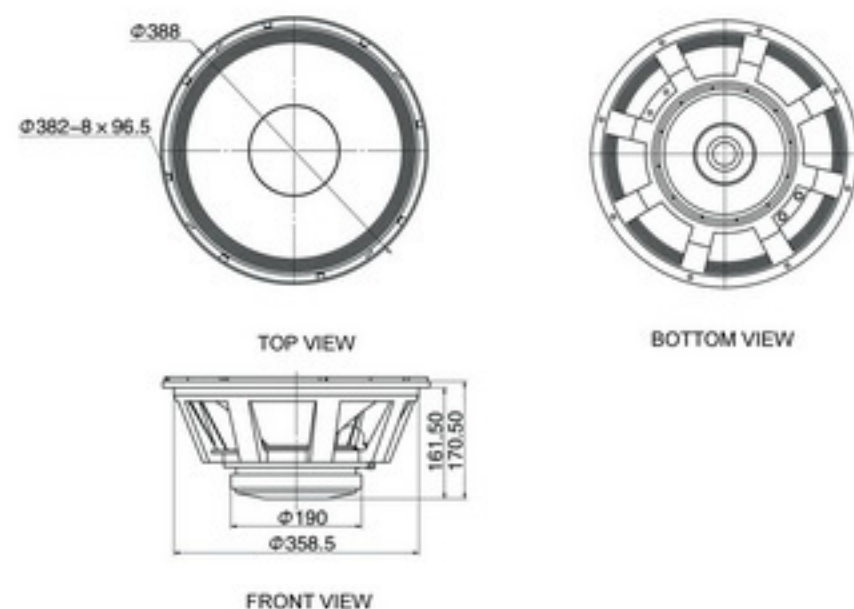
Nominal Diameter	18 Inch
Sensitivity(1m/1w)	97dB
Nominal Impedance	8Ω
Voice Coil Diameter	4 Inch
Power Handling	700W
Frequency Range	31Hz-2kHz
Net Weight	12.8kg

Key Parameters

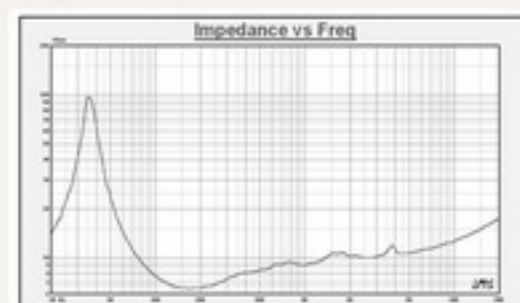
Fs	35 Hz
Qts	0.35
Vas	190L



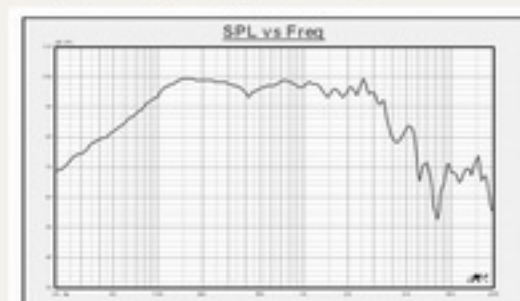
VIEW DRAWING



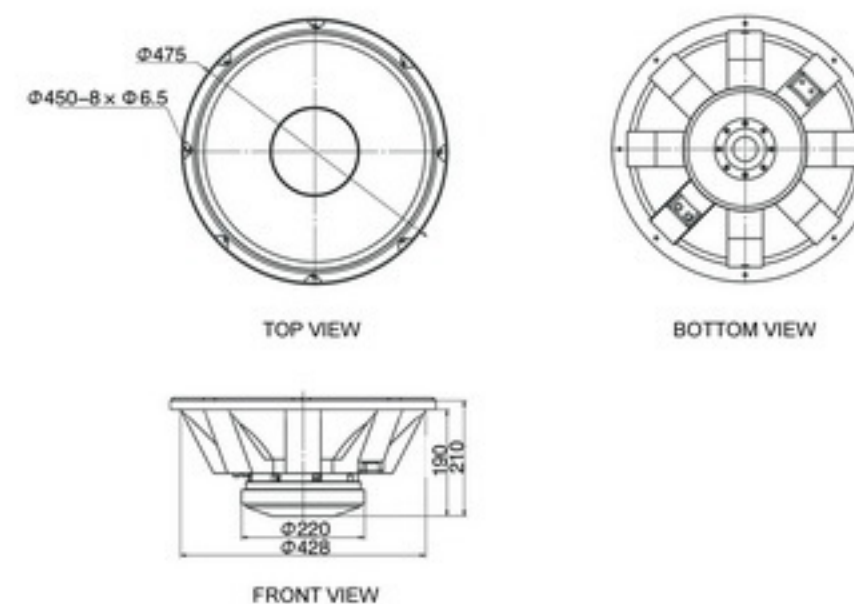
Impedance Curve



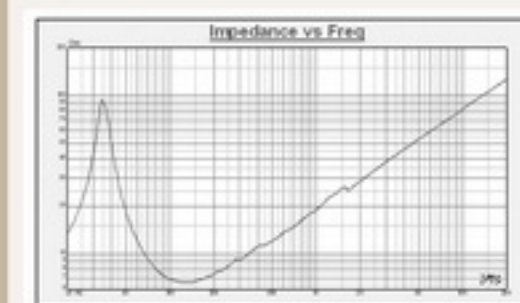
Frequency response Curve



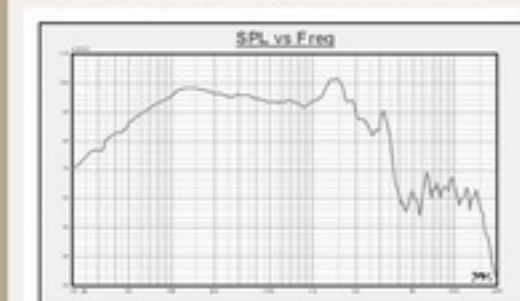
VIEW DRAWING



Impedance Curve



Frequency response Curve



FB0825H

Woofer



● FB25 series include FB0825H, FB1525H two models. FB0825H is MF speakers, and uses symmetrical magnetic design, copper short circuit ring to achieve low distortion, flat MF, full bodied / clear tone. FB1525H with high sensitivity, powerful and delicate bass to be utilized for the sub-unit in line array.

SPECIFICATIONS

Nominal Diameter	8 Inch
Sensitivity(1m/1w)	95.5dB
Nominal Impedance	8Ω
Voice Coil Diameter	2 Inch
Power Handling	150W
Frequency Range	72Hz-8kHz
Net Weight	3.43kg

Key Parameters

Fs	86 Hz
Qts	0.4
Vas	10.5L

FB1525H

Woofer



● FB25 series include FB0825H, FB1525H two models. FB0825H is MF speakers, and uses symmetrical magnetic design, copper short circuit ring to achieve low distortion, flat MF, full bodied / clear tone. FB1525H with high sensitivity, powerful and delicate bass to be utilized for the sub-unit in line array.

SPECIFICATIONS

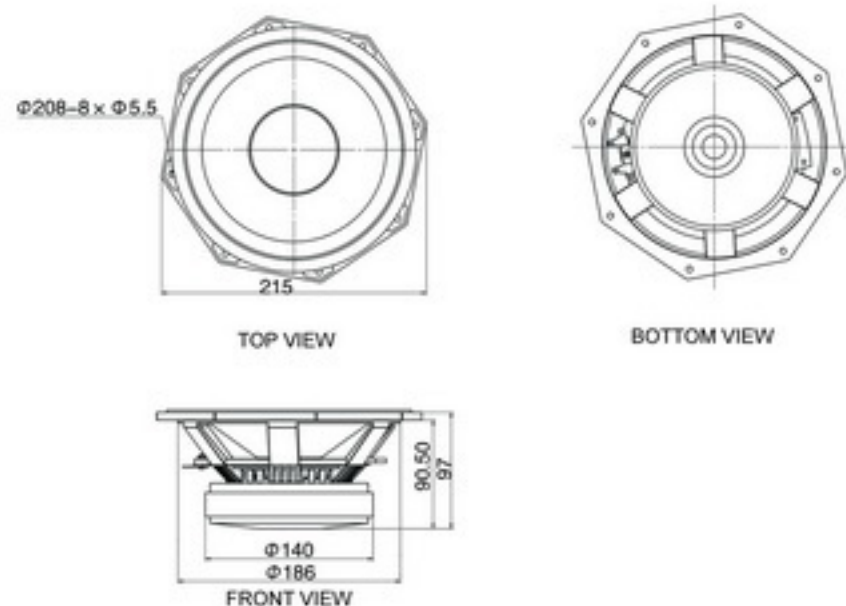
Nominal Diameter	15 Inch
Sensitivity(1m/1w)	98dB
Nominal Impedance	4Ω
Voice Coil Diameter	4 Inch
Power Handling	500W
Frequency Range	36Hz-4kHz
Net Weight	10.3kg

Key Parameters

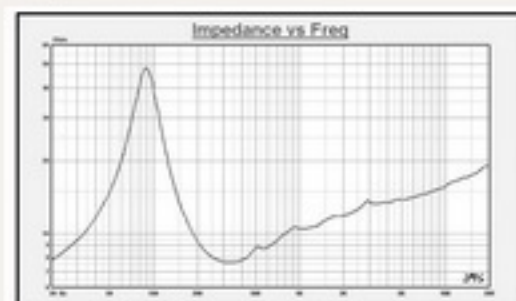
Fs	40 Hz
Qts	0.27
Vas	110L



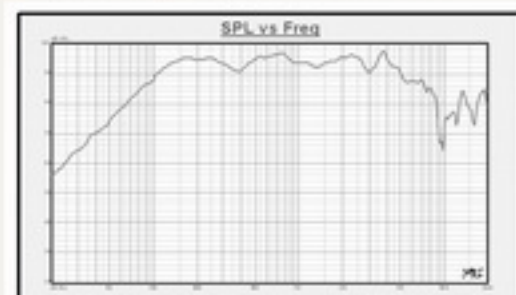
VIEW DRAWING



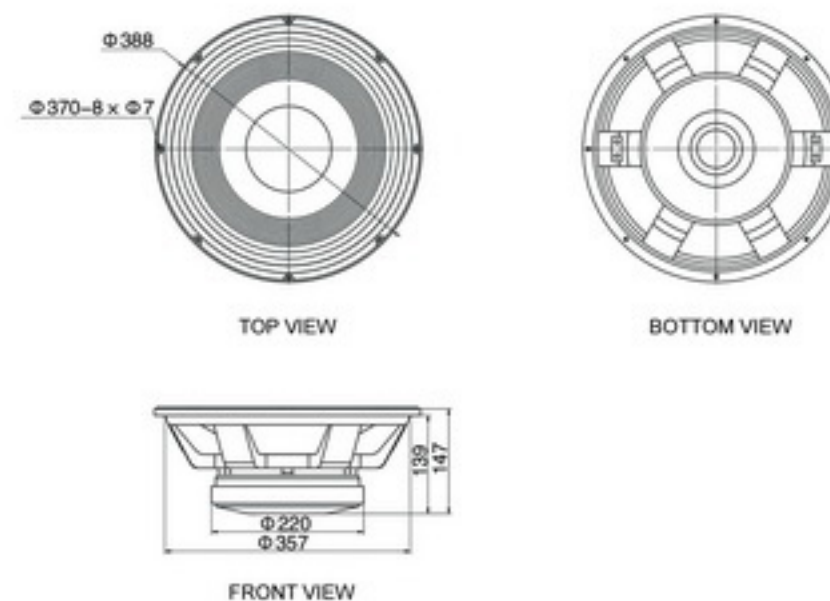
Impedance Curve



Frequency response Curve



VIEW DRAWING



Impedance Curve



Frequency response Curve



FB0827H

Woofer



● FB0827H, FA0803G, FA1003G are foam edge paper cone series, which supply high compliance and long strokes. The low resonance frequency is low, bass is sonorous, human voice is soft and smooth. It is suitable for KTV system and plastic cabinets.

SPECIFICATIONS

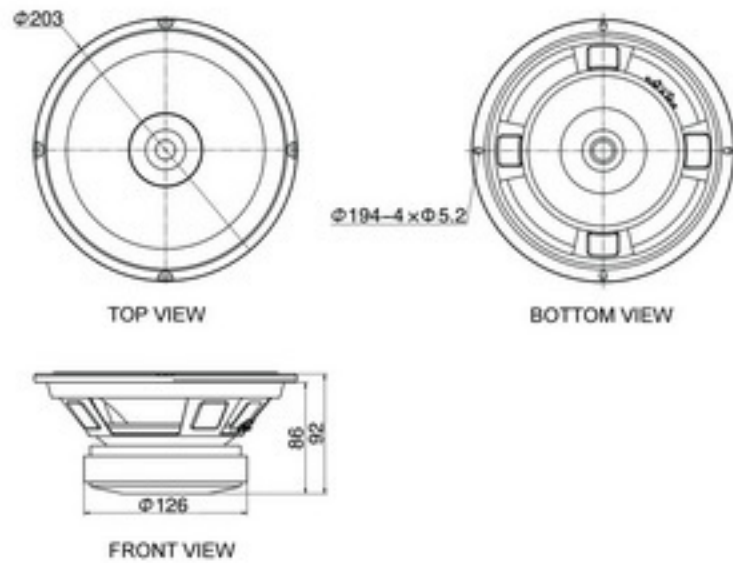
Nominal Diameter	8 Inch
Sensitivity(1m/1w)	91dB
Nominal Impedance	8Ω
Voice Coil Diameter	2 Inch
Power Handling	250W
Frequency Range	45Hz-1.5kHz
Net Weight	2.6kg

Key Parameters

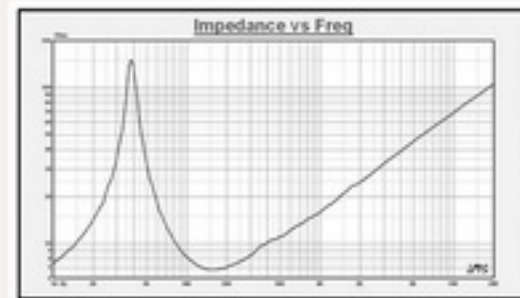
Fs	45 Hz
Qts	0.24
Vas	29L



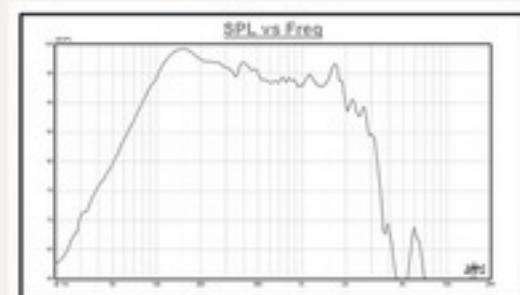
VIEW DRAWING



Impedance Curve



Frequency response Curve



FB1227H

Woofer



● Magnets circuit system of FB1227H and FB1527H is reasonably designed and its heat dispersion is good; high temperature resistance voice coil materials, internal & external coiling and solid composite material paper cone make bass more heavy and powerful; big power and high sensitivity make it more suitable for compact 2 way speaker.

SPECIFICATIONS

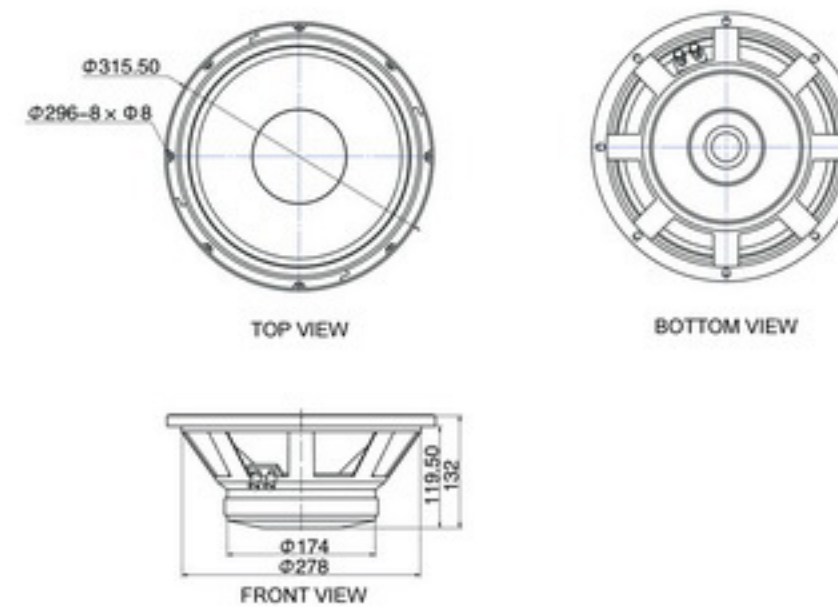
Nominal Diameter	12 Inch
Sensitivity(1m/1w)	99dB
Nominal Impedance	8Ω
Voice Coil Diameter	3 Inch
Power Handling	300W
Frequency Range	40Hz-5kHz
Net Weight	6.9kg

Key Parameters

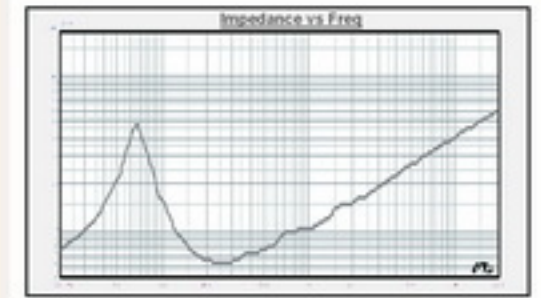
Fs	60Hz
Qts	0.34
Vas	60L



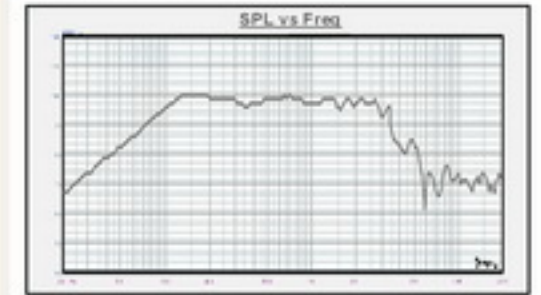
VIEW DRAWING



Impedance Curve



Frequency response Curve



FB1527H

Woofer



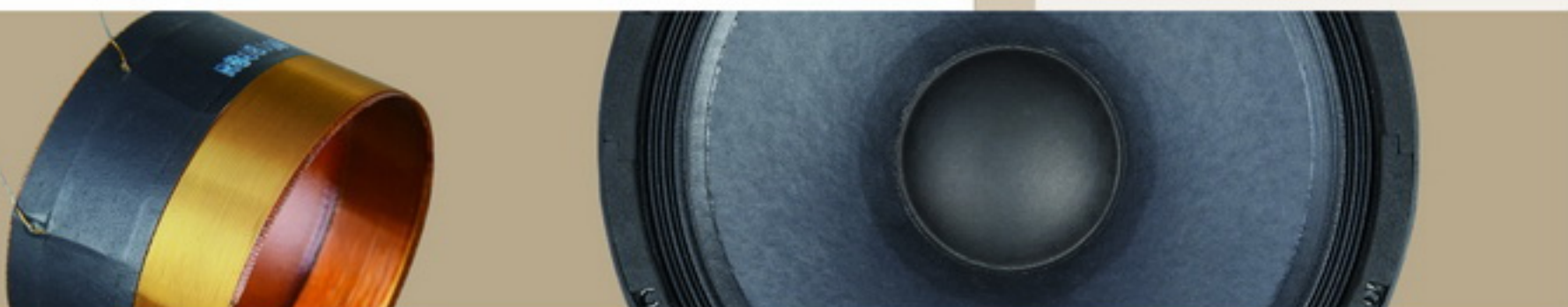
Magnets circuit system of FB1227H and FB1527H is reasonably designed and its heat dispersion is good; high temperature resistance voice coil materials ,internal & external coiling and solid composite material paper cone make bass more heavy and powerful; big power and high sensitivity make it more suitable for compact 2 way speaker.

SPECIFICATIONS

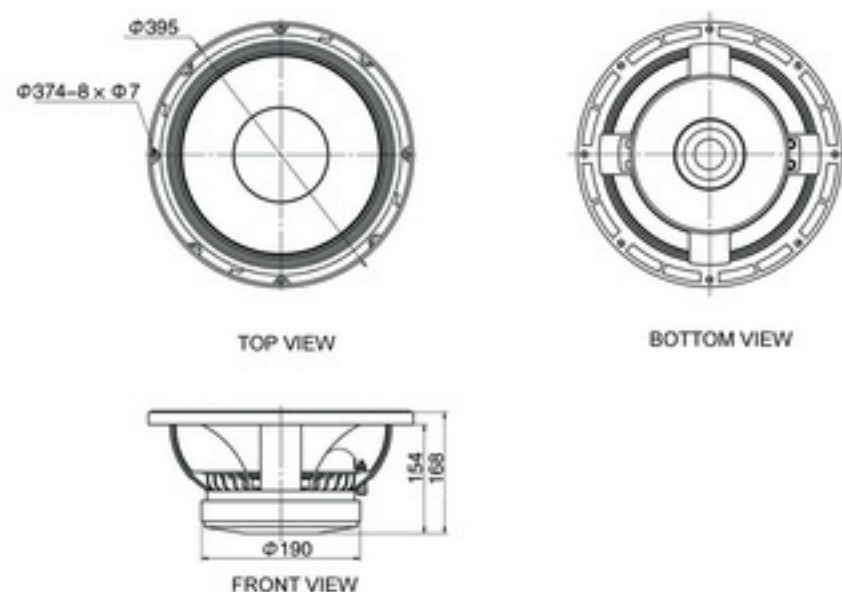
Nominal Diameter	15 Inch
Sensitivity(1m/1w)	99dB
Nominal Impedance	8Ω
Voice Coil Diameter	3 Inch
Power Handling	400W
Frequency Range	30Hz-5KHz
Net Weight	7.8kg

Key Parameters

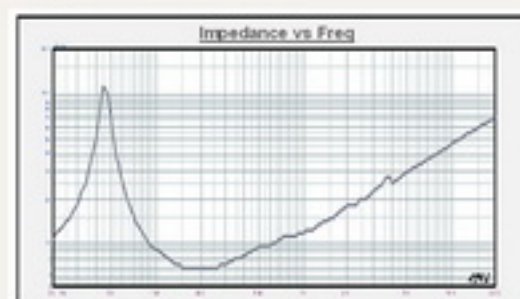
Fs	42 Hz
Qts	0.3
Vas	180L



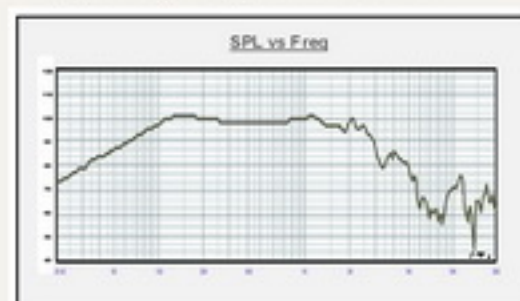
VIEW DRAWING



Impedance Curve



Frequency response Curve



FH0503H

Monitor Speakers



SPECIFICATIONS

Nominal Diameter	5 Inch
Sensitivity(1m/1w)	86dB
Nominal Impedance	8Ω
Voice Coil Diameter	1.5 Inch
Power Handling	60W
Frequency Range	55Hz-6kHz
Net Weight	1.7kg

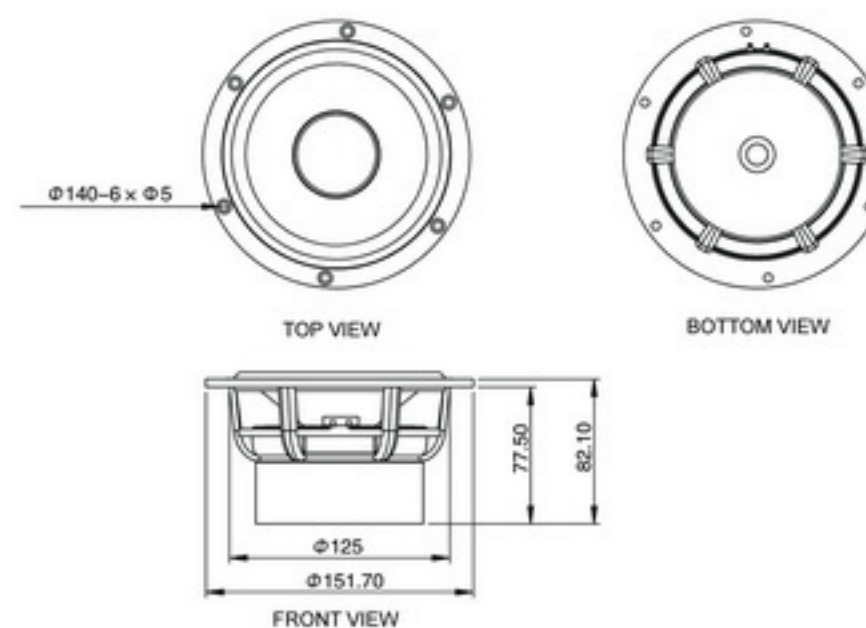
Key Parameters

Fs	60 Hz
Qts	0.33
Vas	10.4L

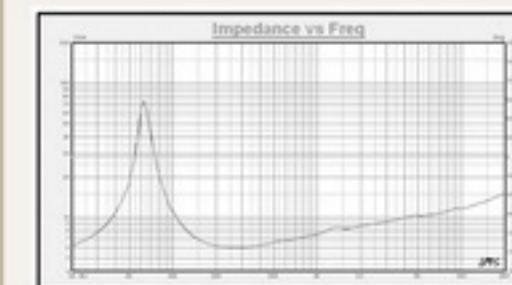
FH0503H, FH06503H & FH0803H are the new SOUNDKING products in 2009. The rubber edge with good damping factor, and cone with fiber inside make full bodied middle frequency, high resolution, powerful bass. The reasonable magnetic design is utilized to reduce distortion greatly and reproduce original sound.



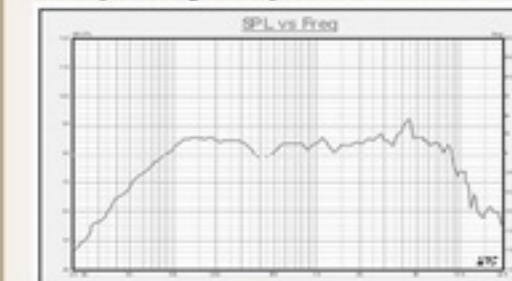
VIEW DRAWING



Impedance Curve



Frequency response Curve



FH06503H Monitor Speakers



FH0503H, FH06503H & FH0803H are the new SOUNDKING products in 2009. The rubber edge with good damping factor, and cone with fiber inside make full bodied middle frequency, high resolution, powerful bass. The reasonable magnetic design is utilized to reduce distortion greatly and reproduce original sound.

SPECIFICATIONS

Nominal Diameter	6.5 Inch
Sensitivity(1m/1w)	88dB
Nominal Impedance	8Ω
Voice Coil Diameter	1.5 Inch
Power Handling	80W
Frequency Range	45Hz-6kHz
Net Weight	2.0kg

Key Parameters

Fs	50 Hz
Qts	0.31
Vas	16.8L

FH0803H Monitor Speakers



FH0503H, FH06503H & FH0803H are the new SOUNDKING products in 2009. The rubber edge with good damping factor, and cone with fiber inside make full bodied middle frequency, high resolution, powerful bass. The reasonable magnetic design is utilized to reduce distortion greatly and reproduce original sound.

SPECIFICATIONS

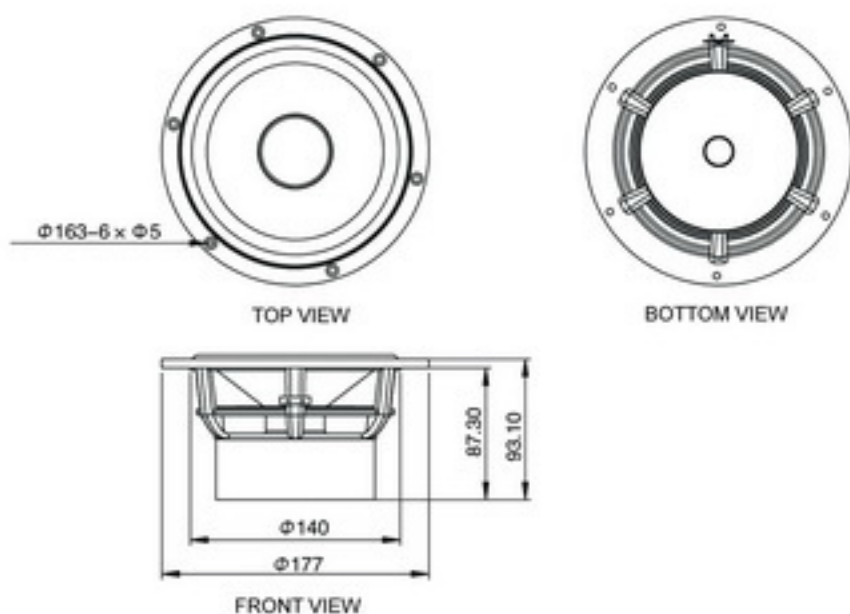
Nominal Diameter	8 Inch
Sensitivity(1m/1w)	90dB
Nominal Impedance	8Ω
Voice Coil Diameter	2 Inch
Power Handling	100W
Frequency Range	40-6kHz
Net Weight	3.0kg

Key Parameters

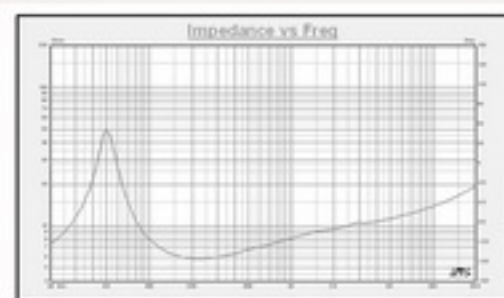
Fs	45 Hz
Qts	0.30
Vas	21.7L



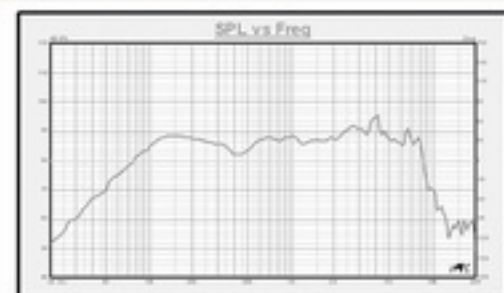
VIEW DRAWING



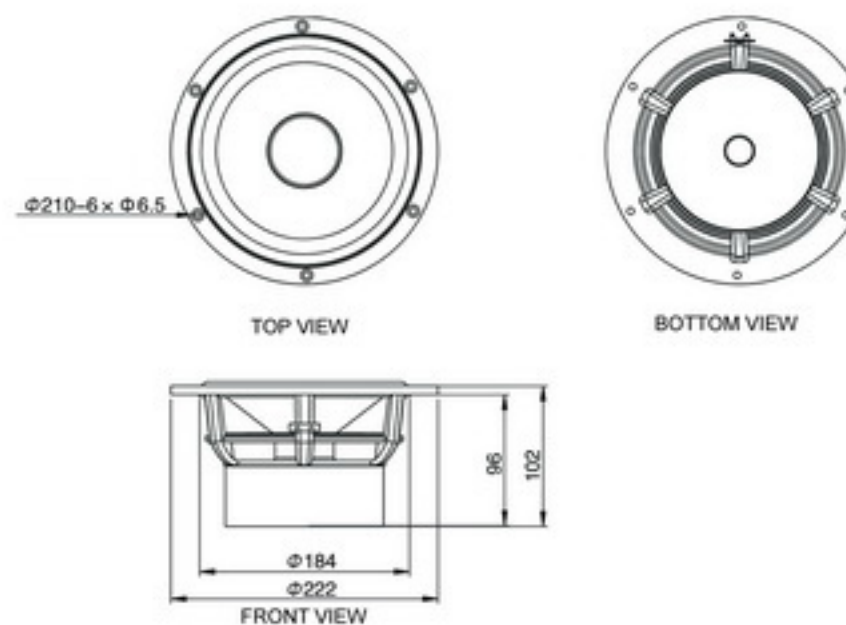
Impedance Curve



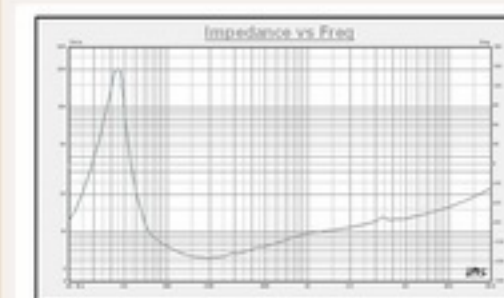
Frequency response Curve



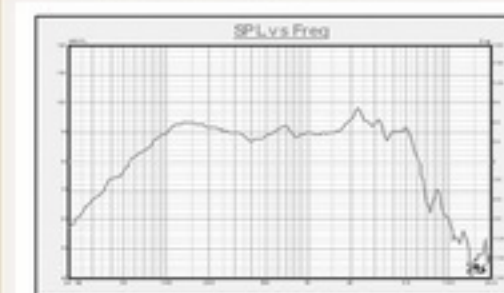
VIEW DRAWING



Impedance Curve



Frequency response Curve



FB06520H+K34S

COAXIAL



FB20 series is developed by Soundking to meet the requirement of high power and small volume. This speaker features simultaneous HF and LF, small audio interference, clear tone, exact and even coverage. It is the ideal choice for two way speaker system.

SPECIFICATIONS

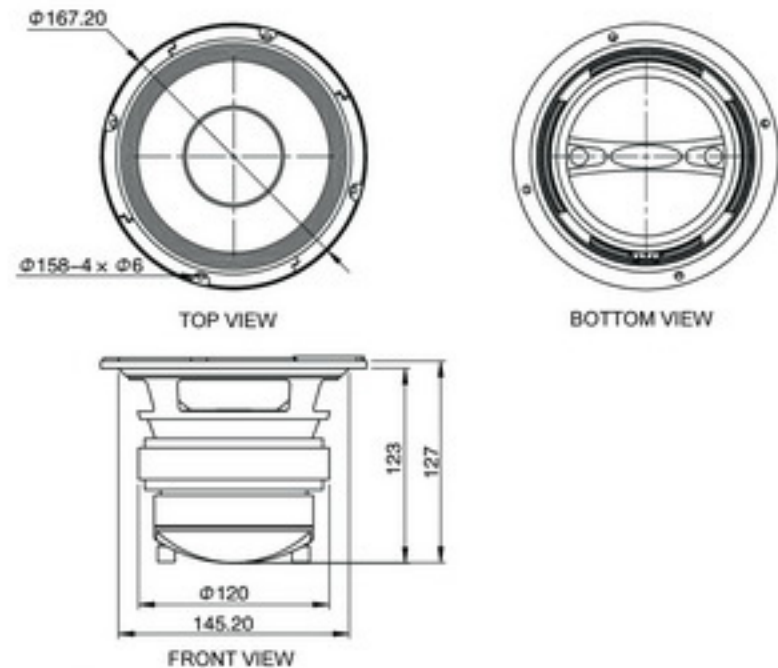
Nominal Diameter	6.5 Inch
Sensitivity(1m/1w)	Low 92dB / High 105dB
Nominal Impedance	8Ω
Voice Coil Diameter	Low 2 Inch / High 1.4 Inch
Power Handling	100W
Frequency Range	Low 60Hz-5.5kHz / High 800Hz-18KHz
Net Weight	3.5kg

Key Parameters (Low)

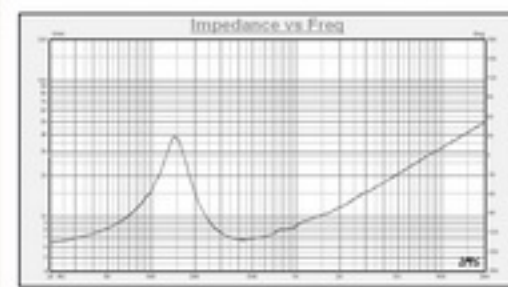
Fs	140 Hz
Qts	0.48
Vas	3.7L



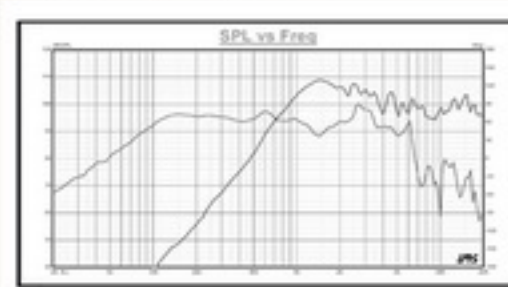
VIEW DRAWING



Impedance Curve



Frequency response Curve



FB0820H+K34S

COAXIAL



FB20 series is developed by Soundking to meet the requirement of high power and small volume. This speaker features simultaneous HF and LF, small audio interference, clear tone, exact and even coverage. It is the ideal choice for two way speaker system.

SPECIFICATIONS

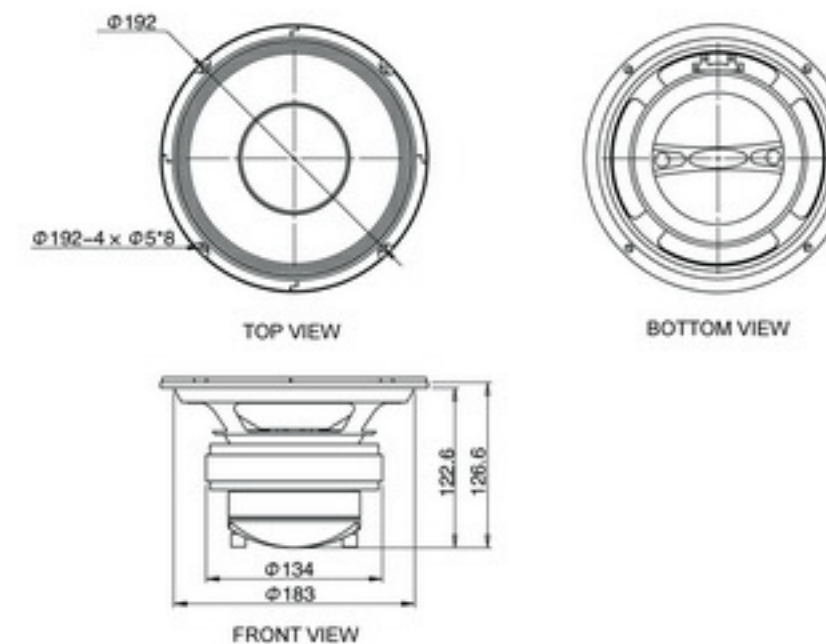
Nominal Diameter	8 Inch
Sensitivity(1m/1w)	Low 94dB / High 105dB
Nominal Impedance	8Ω
Voice Coil Diameter	Low 2 Inch / High 1.4 Inch
Power Handling	150W
Frequency Range	Low 80Hz-7kHz / High 800Hz-18KHz
Net Weight	4.3kg

Key Parameters (Low)

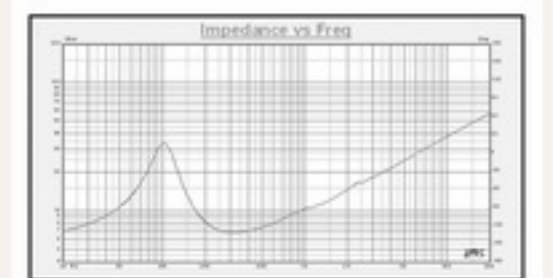
Fs	98 Hz
Qts	0.5
Vas	8.88L



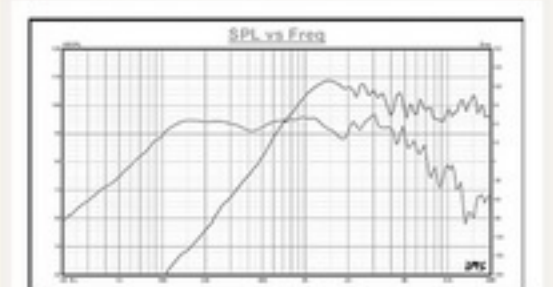
VIEW DRAWING



Impedance Curve



Frequency response Curve



FB1020H+K34S

COAXIAL



SPECIFICATIONS

Nominal Diameter	10 Inch
Sensitivity(1m/1w)	Low 95dB/High 105dB
Nominal Impedance	8Ω
Voice Coil Diameter	Low 2.5 Inch / High 1.4 Inch
Power Handling	200W
Frequency Range	60Hz-20kHz
Net Weight	5.5kg

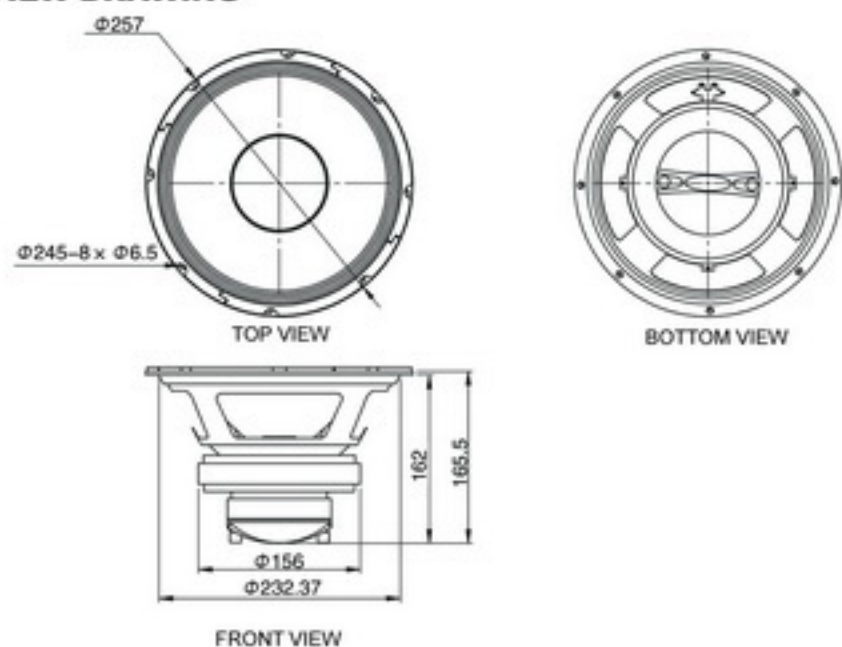
Key Parameters (Low)

Fs	60 Hz
Qts	0.34
Vas	32.8L

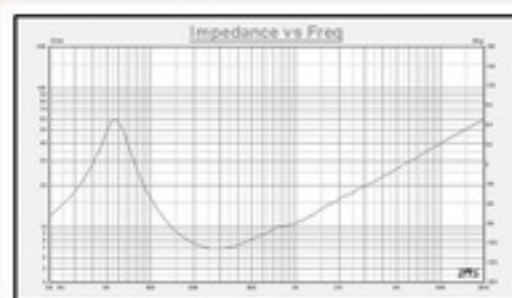
● FB20 series is developed by Soundking to meet the requirement of high power and small volume. This speaker features simultaneous HF and LF, small audio interference, clear tone, exact and even coverage. It is the ideal choice for two way speaker system.



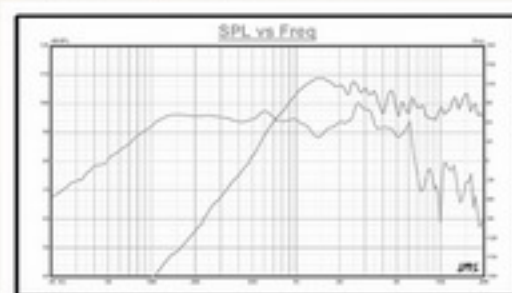
VIEW DRAWING



Impedance Curve



Frequency response Curve



FB1220H+K44S

COAXIAL



SPECIFICATIONS

Nominal Diameter	12 Inch
Sensitivity(1m/1w)	Low 97dB/High 106dB
Nominal Impedance	8Ω
Voice Coil Diameter	Low 2.5 Inch / High 1.75 Inch
Power Handling	250W
Frequency Range	Low 65Hz-5kHz/High 700Hz-20kHz
Net Weight	6.5kg

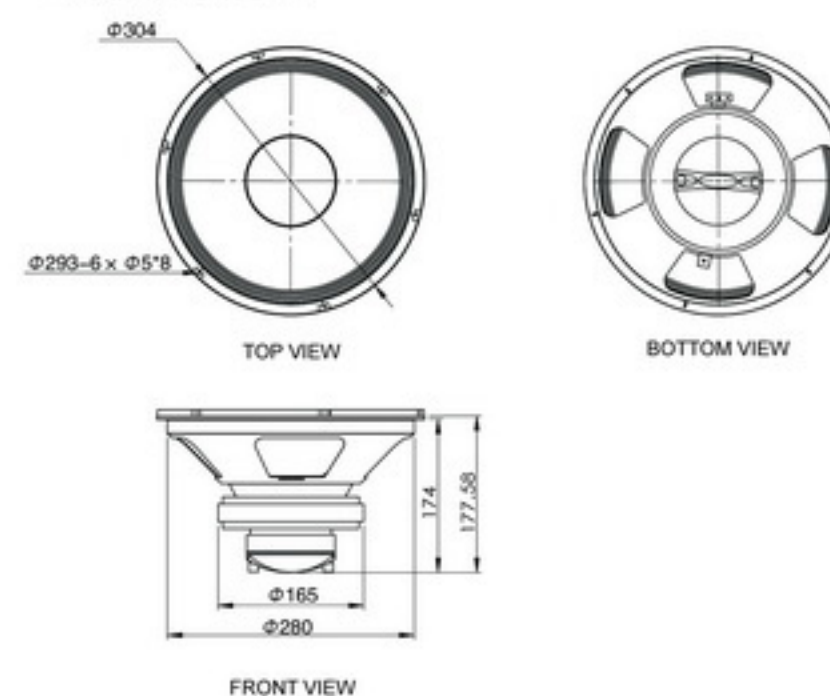
Key Parameters (Low)

Fs	50 Hz
Qts	0.34
Vas	84L

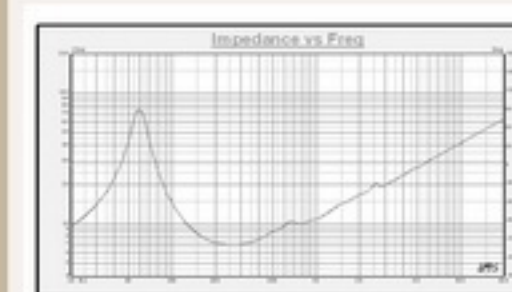
● FB20 series is developed by Soundking to meet the requirement of high power and small volume. This speaker features simultaneous HF and LF, small audio interference, clear tone, exact and even coverage. It is the ideal choice for two way speaker system.



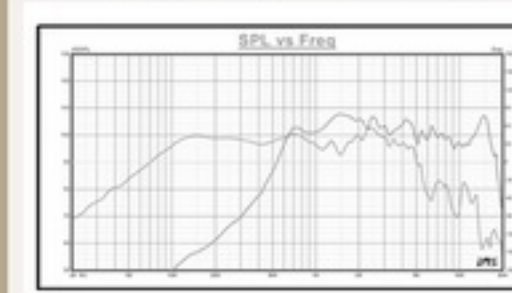
VIEW DRAWING



Impedance Curve



Frequency response Curve



FH1206H

COAXIAL



FH1206H is a coaxial speaker; it utilizes particular double magnets gap-double voice coil technology of NdFeB Magnets line to make voice coil's work status mutually reverse, it decreases effectively the distortion caused by magnet coupling. The HF and LF diaphragm make sound at the same axis, HF and LF are synchronous, less interference, no phase difference and its fidelity is high.

SPECIFICATIONS

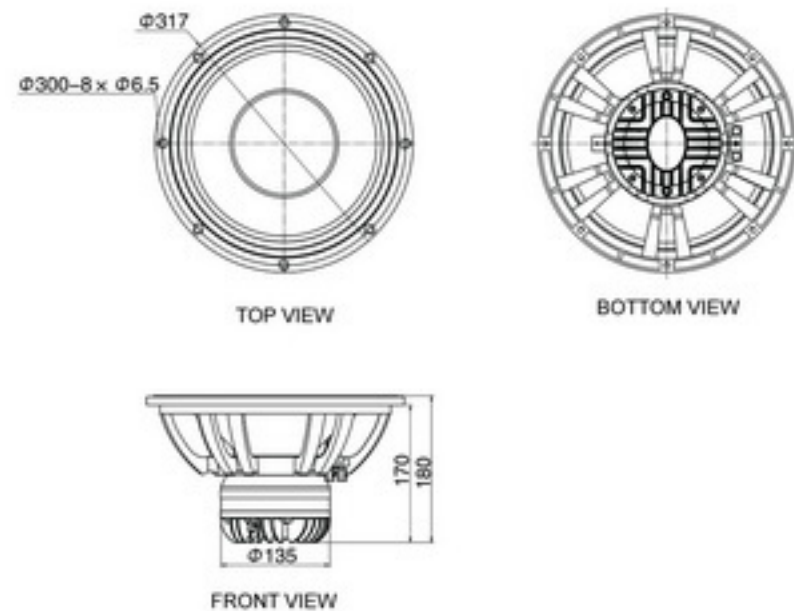
Nominal Diameter	12 Inch
Sensitivity(1m/1w)	99dB
Nominal Impedance	8Ω
Voice Coil Diameter	2 Inch
Power Handling	200W
Frequency Range	52Hz-20KHz
Net Weight	5.9kg

Key Parameters

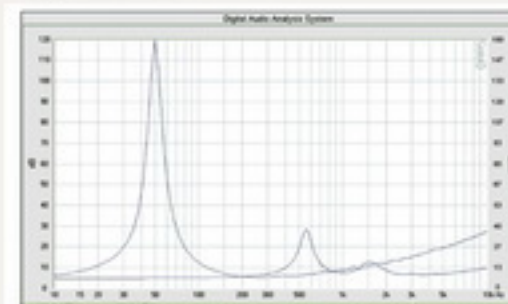
Fs	50 Hz
Qts	0.33
Vas	22L



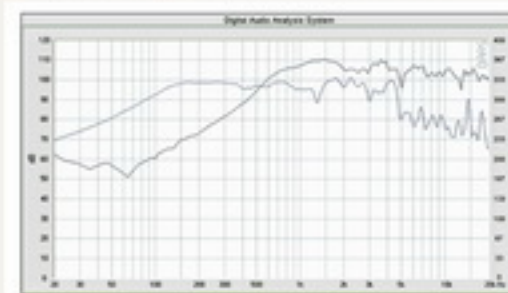
VIEW DRAWING



Impedance Curve



Frequency response Curve



FB1012H

Bass Speakers



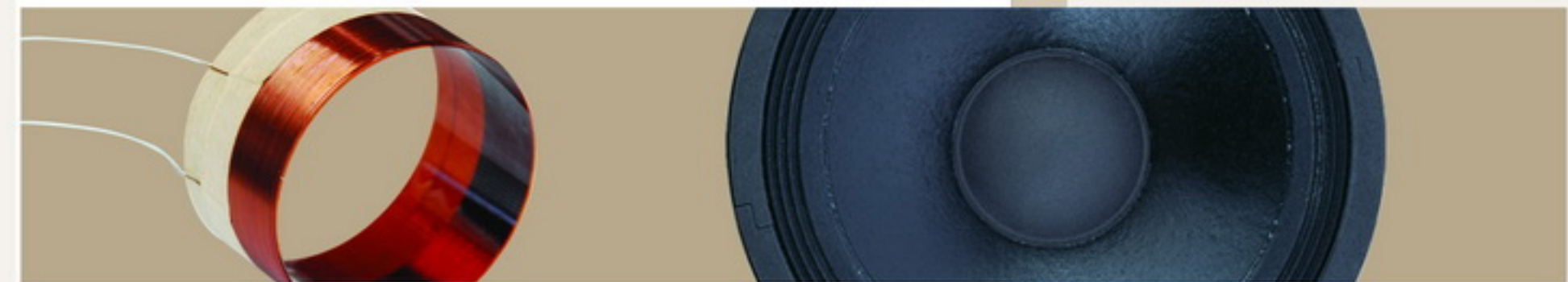
Soundking new bass speaker includes FB1012H, FB1515H, FB0826G, FB1026G, FB1226G. Among them, FB1012H & FB1515H are high power bass units with powerful bass. FB26 series are small power bass units.

SPECIFICATIONS

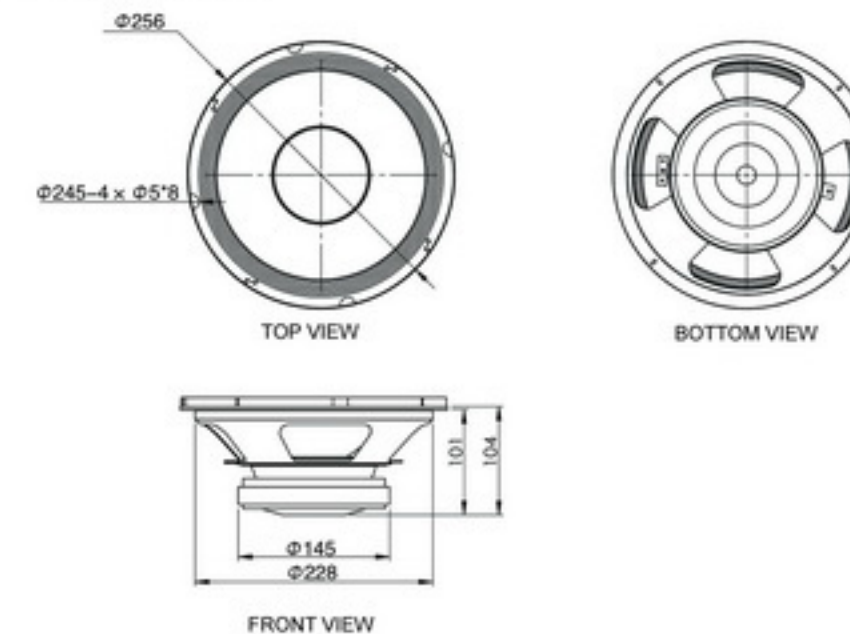
Nominal Diameter	10 Inch
Sensitivity(1m/1w)	97dB
Nominal Impedance	8Ω
Voice Coil Diameter	2 Inch
Power Handling	200W
Frequency Range	40Hz-6kHz
Net Weight	3.5kg

Key Parameters

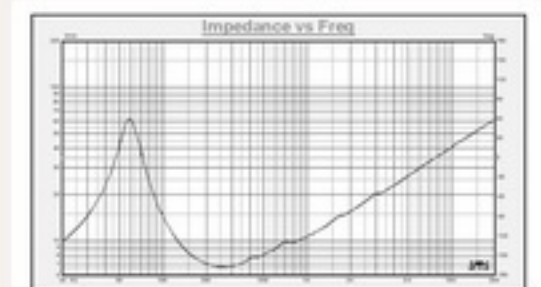
Fs	54.4 Hz
Qts	0.33
Vas	44.38L



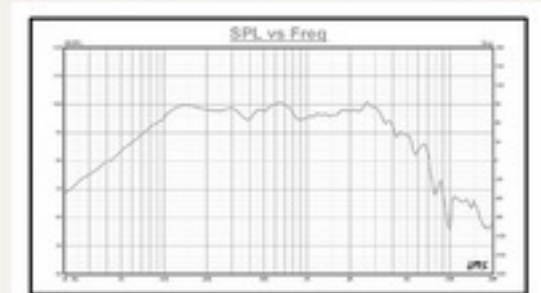
VIEW DRAWING



Impedance Curve



Frequency response Curve



FB1515H

Bass Speakers



SPECIFICATIONS

Nominal Diameter	15 inch
Sensitivity(1m/1w)	98dB
Nominal Impedance	8Ω
Voice Coil Diameter	2.5 inch
Power Handling	300W
Frequency Range	30Hz-5kHz
Net Weight	4.0kg

Key Parameters

Fs	41Hz
Qts	0.52
Vas	198L

new bass speaker includes FB1012H. FB1515H. FB0826G. FB1026G. FB1226G. Among them, FB1012H & FB1515H are high power bass units. FB26 series are small power bass units.

FB0826G

Bass Speakers



SPECIFICATIONS

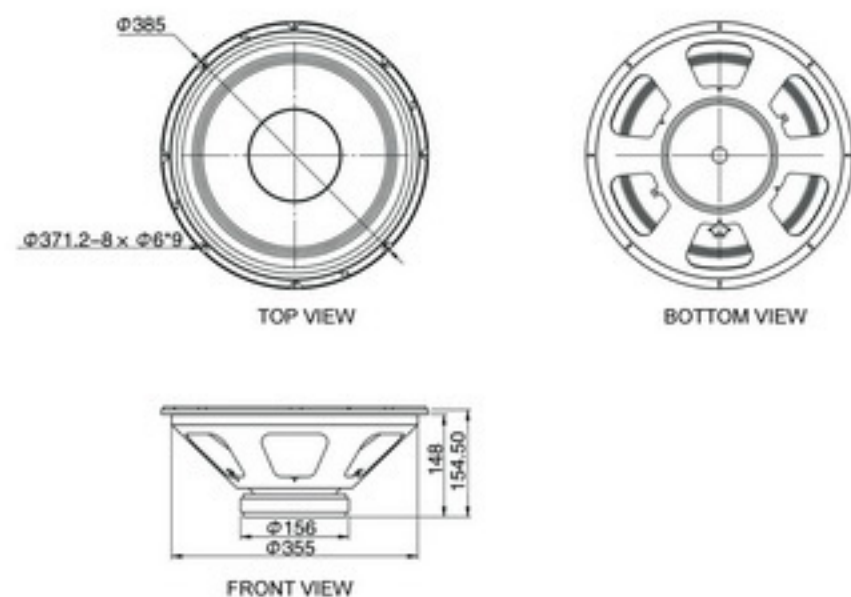
Nominal Diameter	8 inch
Sensitivity(1m/1w)	92dB
Nominal Impedance	4Ω
Voice Coil Diameter	1 inch
Power Handling	50W
Frequency Range	50Hz-8kHz
Net Weight	1.25kg

Key Parameters

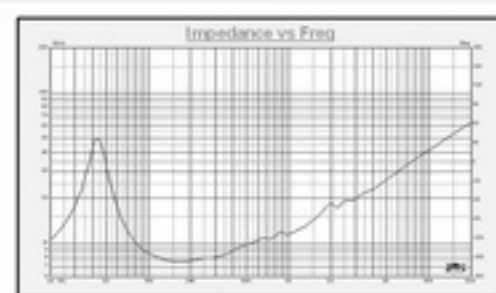
Fs	70Hz
Qts	0.6
Vas	20.0L

Soundking new bass speaker includes FB1012H. FB1515H. FB0826G. FB1026G. FB1226G. Among them, FB1012H & FB1515H are high power bass units. FB26 series are small power bass units.

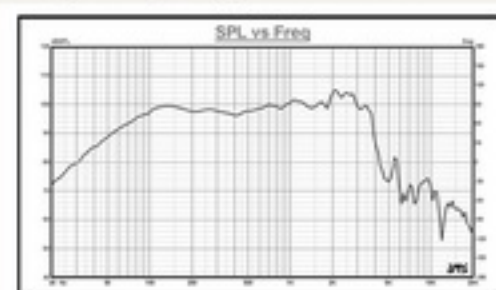
VIEW DRAWING



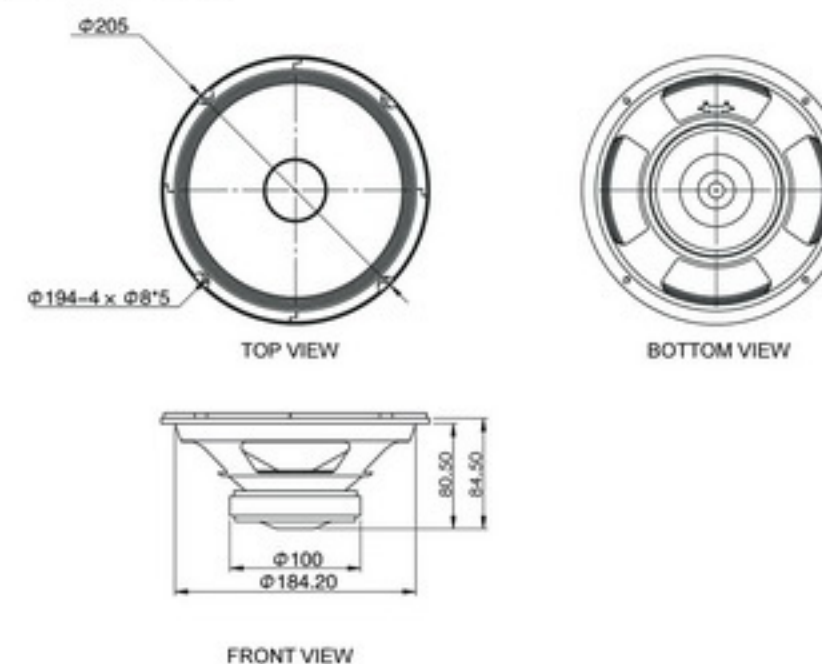
Impedance Curve



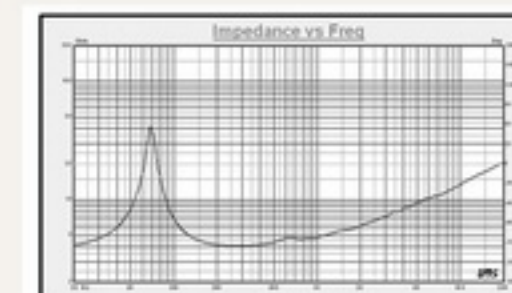
Frequency response Curve



VIEW DRAWING



Impedance Curve



Frequency response Curve



FB1026G

Bass Speakers



SPECIFICATIONS

Nominal Diameter	10 inch
Sensitivity(1m/1w)	93dB
Nominal Impedance	4Ω
Voice Coil Diameter	1.5 inch
Power Handling	80W
Frequency Range	40Hz-8kHz
Net Weight	2.1kg

Key Parameters

Fs	50Hz
Qts	0.5
Vas	50.0L

Soundking new bass speaker includes FB1012H. FB1515H. FB0826G. FB1026G. FB1226G. Among them, FB1012H & FB1515H are high power bass units. FB26 series are small power bass units.

FB1226G

Bass Speakers



SPECIFICATIONS

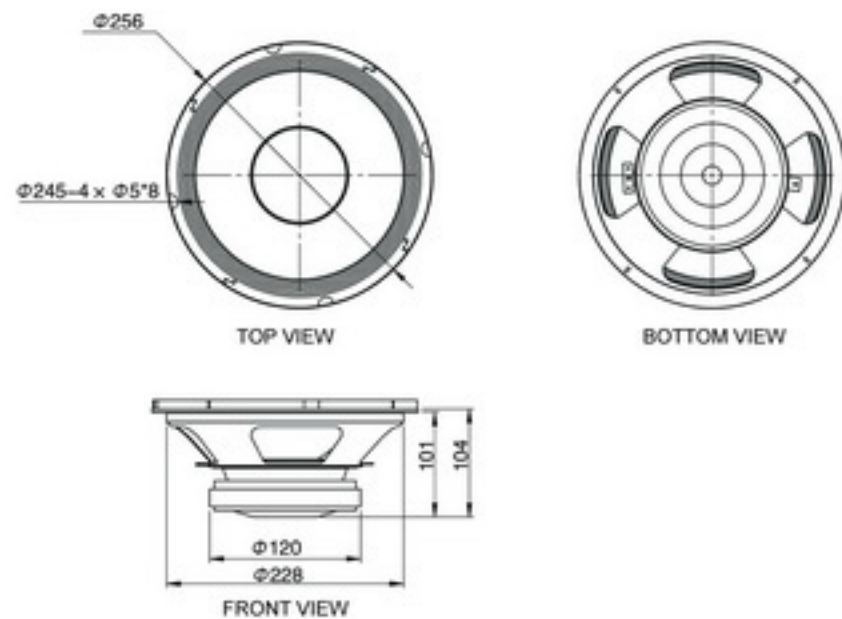
Nominal Diameter	12 inch
Sensitivity(1m/1w)	96dB
Nominal Impedance	4Ω
Voice Coil Diameter	2 inch
Power Handling	120W
Frequency Range	30Hz-8kHz
Net Weight	3.2kg

Key Parameters

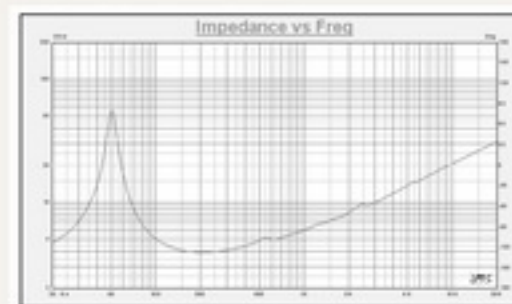
Fs	40Hz
Qts	0.36
Vas	90.0L

Soundking new bass speaker includes FB1012H. FB1515H. FB0826G. FB1026G. FB1226G. Among them, FB1012H & FB1515H are high power bass units. FB26 series are small power bass units.

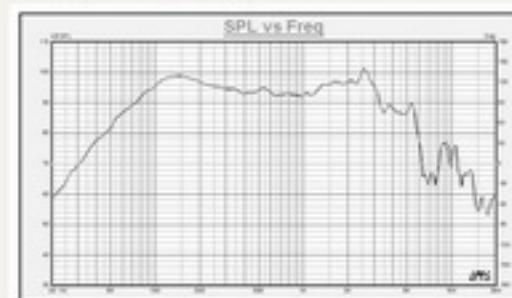
VIEW DRAWING



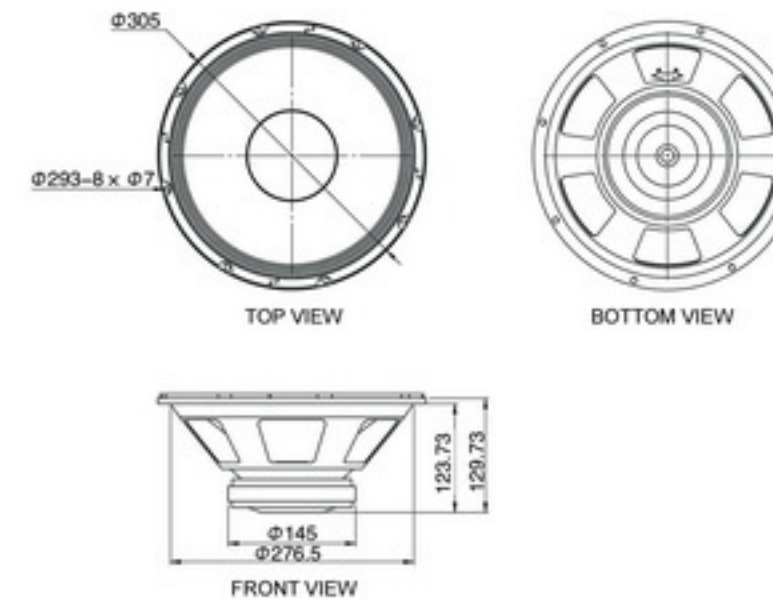
Impedance Curve



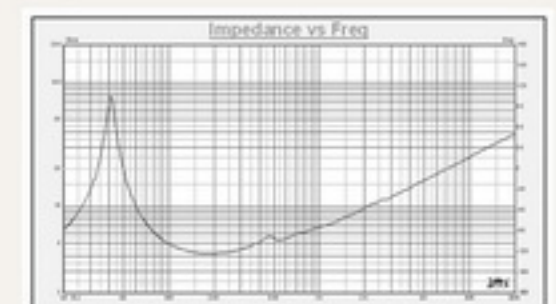
Frequency response Curve



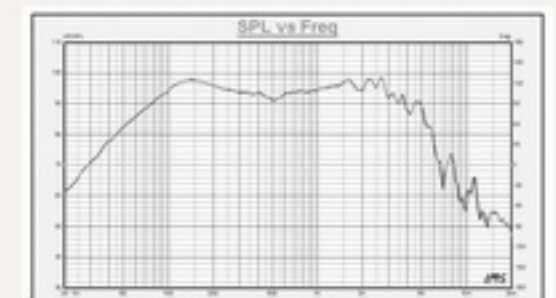
VIEW DRAWING



Impedance Curve



Frequency response Curve



FG1010G

Guitar Speakers



SPECIFICATIONS

Nominal Diameter	10 Inch
Sensitivity(1m/1w)	95dB
Nominal Impedance	4Ω
Voice Coil Diameter	1.5 Inch
Power Handling	75W
Frequency Range	80Hz-8kHz
Net Weight	1.3kg

Key Parameters

Fs	95 Hz
Qts	1.48
Vas	14.9L

10" FG1009H/FG1010G and 12" FG1206H, FG1208H-1 are the representative products of Soundking guitar speakers. These guitar speakers have bright metal tone which can definitely inspire instrument-fan's passion.

FG1009H

Guitar Speakers



SPECIFICATIONS

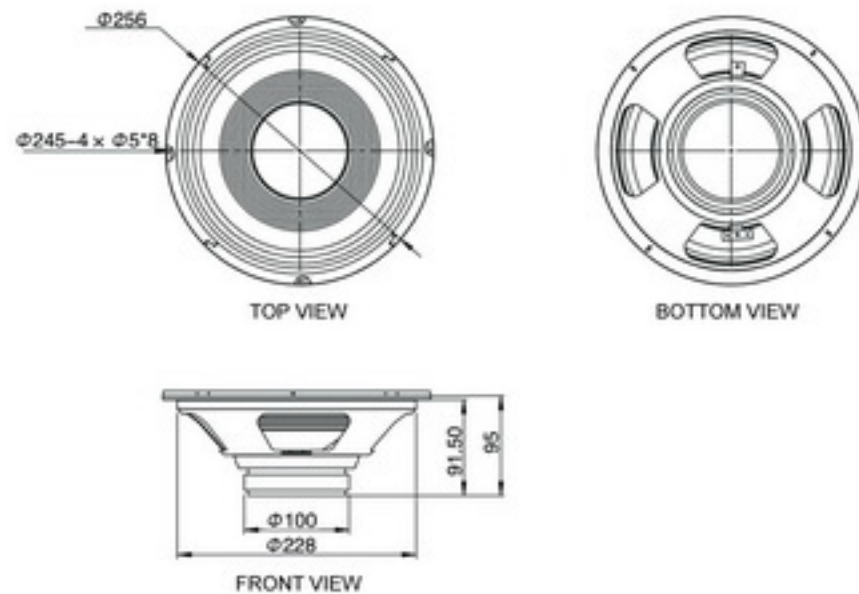
Nominal Diameter	10 Inch
Sensitivity(1m/1w)	98dB
Nominal Impedance	8Ω
Voice Coil Diameter	1.5 Inch
Power Handling	30W
Frequency Range	70Hz-6kHz
Net Weight	1.2kg

Key Parameters

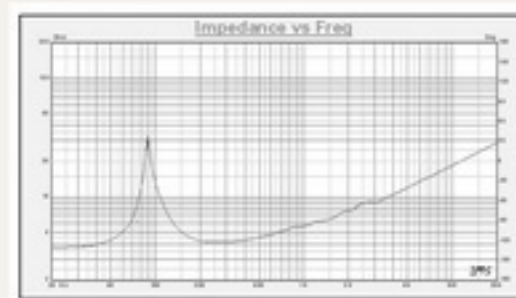
Fs	97 Hz
Qts	1.15
Vas	9.4L

10" FG1009H/FG1010G and 12" FG1206H, FG1208H-1 are the representative products of Soundking guitar speakers. These guitar speakers have bright metal tone which can definitely inspire instrument-fan's passion.

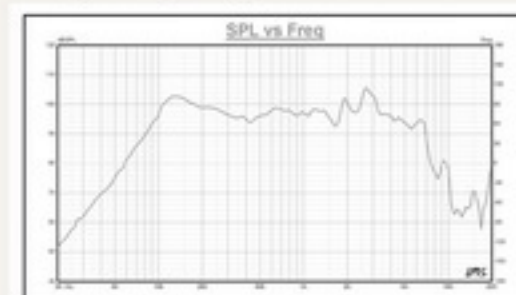
VIEW DRAWING



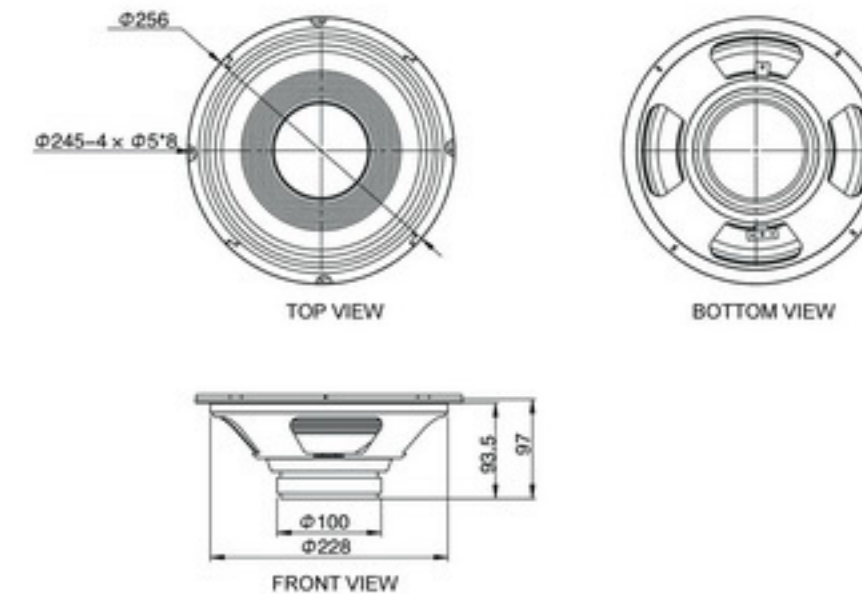
Impedance Curve



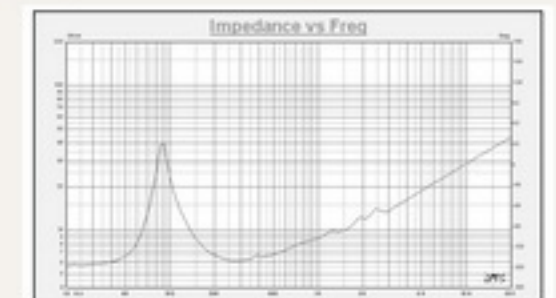
Frequency response Curve



VIEW DRAWING



Impedance Curve



Frequency response Curve

