

GENERAL CATALOGUE

QUICK EDITION

Systems and components
for electrical installations



RIF. 598-GB-1 ENGLISH

Edition: 2005-2006

ZP00598-GB-1



8 001636 405209

ENGLISH

QUICK EDITION

GENERAL CATALOGUE



ScameOnLine
<http://www.scame.com>
e-mail: export@scame.com





GENERAL CATALOGUE
"Quick Edition"

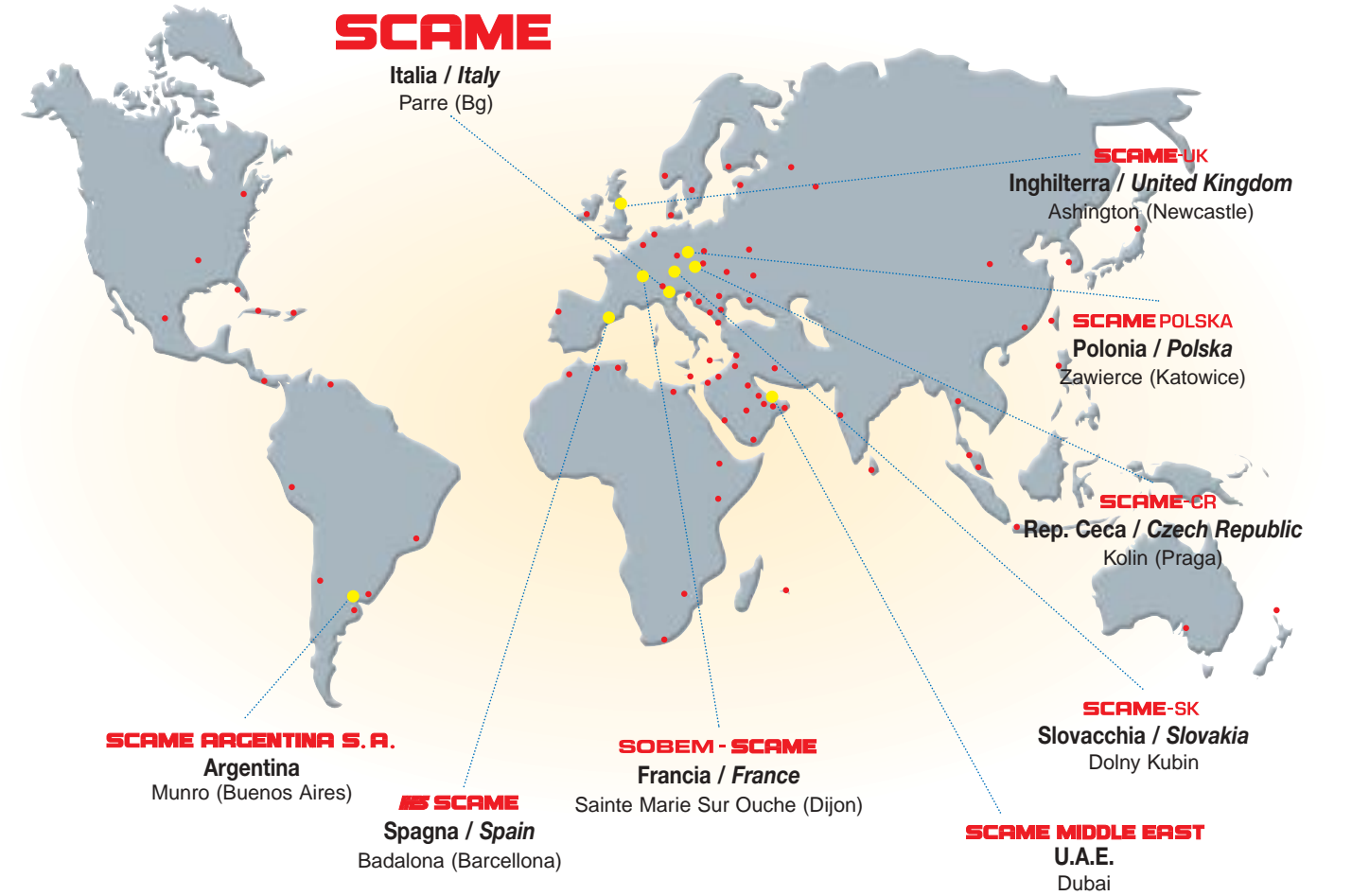
SCAME PARRE S.p.A.
Via Costa Erta, 15 - 24020 Parre (BG) - Italy
Tel. +39 035 705000 - Telefax +39 035 703122
internet <http://www.scame.com>
e-mail: export@scame.com

ScameOnLine

SCAME's internet site - <http://www.scame.com> - e-mail: export@scame.com



Scame in the world



- Filiali / Branches
- Rivenditori / Distributors

Quality marks



Scame and Sport



THE POLICY

Scame's policy is to provide on going research for products which are innovative, functional, practical and safe to meet the requirements of the electrical distribution and power supply industries worldwide.

Scame's high professional standards have enabled us to become world renowned exporters of electrical products developed in collaboration with leading companies worldwide, enabled by years of experience and know-how.

THE ORGANISATION

Established in 1963 Scame is comprised today of 7 Italian production plants and plants in other parts of the world with a workforce of some 700 employees engaged in production sales, marketing, technical development, and product support through its network of agents which include 7 branches worldwide. Scame is represented in 77 countries and 5 continents.

PRODUCTS AND QUALITY

Scame's product range is in excess of 7.000 products manufactured and tested to international standards and quality approved all guaranteed by the main european quality marks, namely IMQ, VDE, SEMKO, etc. Internal company corporate procedures govern and control all aspects of quality procedures enabling Scame's achievement of CSQ for quality systems according to the UNI EN ISO 9001 standards.

THE FUTURE

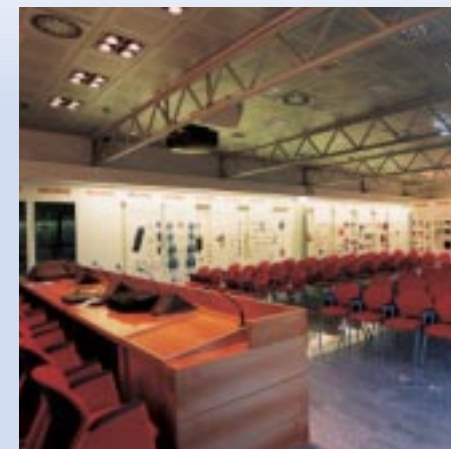
Scame is a company that is inherently market oriented, and is committed to meet the end user's expectations and needs. The requirements of the products' distribution chain are also taken into account: by way of wholesalers and dealers of electrical materials, and of the foreign distributors through the branches. All efforts are focused on meeting the needs of the end user. Scame's policy, on all domestic and international markets, will always be that of a reliable partner whom will face and solve all problems related to power distribution systems, within the framework of the company's corporate philosophy.



1. Albinoleffe Football team - B League

2. Scame Basketball - C1 League

3. Fabio May, national team athlete for cross country skiing



1. DOMESTIC PLUGS AND SOCKETS



2. PLUGS AND SOCKETS FOR INDUSTRIAL APPLICATIONS



3. SWITCHGEAR



4. ADAPTORS FOR INDUSTRIAL APPLICATIONS



5. ENCLOSURES FOR ELECTRICAL EQUIPMENT



6. CABLE REELS FOR INDUSTRIAL APPLICATIONS



7. LIGHT-FITTINGS



8. INSTALLATION ACCESSORIES



9. CONDUIT INSTALLATION ACCESSORIES



10. TRUNKING SYSTEMS



PRODUCT LINE

1. DOMESTIC PLUGS AND SOCKETS

101	EVOLUTION Series	devices
105	QUALITY Series	plugs and sockets
106	BLUELINE Series	plugs and sockets
110	QUICK Series	plugs and sockets
115	QUALITY Series	extrapiatte plugs
116	BLUELINE Series	extrapiatte plugs
130	UNEL Series	plugs and sockets with side earth contact
135	GLENO Series	accessories
136	UNIBOX Series	enclosure for modular accessories
145	SICURA Series	adaptors
146	BLUELINE Series	adaptors
160	MULTI-OUTLET Series	sockets

2. PLUGS AND SOCKETS FOR INDUSTRIAL APPLICATIONS

200	LIBERA Series	IP44 connectors for plugs electric vehicles
-----	---------------	---

PLUGS

210	IEC309 Series	IP44
211	EUREKA Series	IP44
215	IEC309 Series	IP67
216	EUREKA Series	IP67
221	EUREKA Series	IP44 (angled)
226	EUREKA Series	IP67 (angled)
230	IEC309 Series	IP44 for voltages <50V
235	IEC309 Series	IP67 for voltages <50V
242	EUREKA Series	IP44 appliance inlets (90° angled)
245	IEC309 Series	IP67 appliance inlets
246	IEC309 Series	IP67 appliance inlets (panel mounting)
247	EUREKA Series	IP67 appliance inlets (90° angled)
299		Motor starting units

CONNECTORS

310	IEC309 Series	IP44
311	EUREKA Series	IP44
315	IEC309 Series	IP67
316	EUREKA Series	IP67
321	EUREKA Series	IP44 (angled)
326	EUREKA Series	IP67 (angled)
330	IEC309 Series	IP44 for voltages <50V
335	IEC309 Series	IP67 for voltages <50V

PANEL MOUNTING SOCKETS

400	OMNIA Series	IP44 interlocked-switch
401	OMNIA Series	IP44 interlocked-switch (fuse)
405	OMNIA Series	IP67 interlocked-switch
406	OMNIA Series	IP67 interlocked-switch (fuse)
412	EUREKA Series	IP44 (angled)
415	IEC309 Series	IP67 (angled)
417	EUREKA Series	IP67 (angled)
422	EUREKA Series	IP44 (straight)
427	EUREKA Series	IP67 (straight)
430	IEC309 Series	IP44 for voltages <50V
435	IEC309 Series	IP67 for voltages <50V
452	EUREKA Series	IP44 (90° angled)
457	EUREKA Series	IP67 (90° angled)

SURFACE MOUNTING SOCKETS

500	OMNIA Series	IP44 interlocked-switch
501	OMNIA Series	IP44 interlocked-switch (fuse)
505	OMNIA Series	IP67 interlocked-switch
506	OMNIA Series	IP67 interlocked-switch (fuse)
512	EUREKA Series	IP44 (angled box)
515	IEC309 Series	IP67 (angled box)
517	EUREKA Series	IP67 (angled box)
522	EUREKA Series	IP44 (straight box)
527	EUREKA Series	IP67 (straight box)
530	IEC309 Series	IP44 for voltages <50V
535	IEC309 Series	IP67 for voltages <50V
546	QUADRA Series	IP66 interlocked-switch
557	ADVANCE Series	IP66 interlocked-switch with MCCB and RCD
560	ADVANCE 2 Series	IP44 interlocked-switch (compact)
561	ADVANCE 2 Series	IP67 interlocked-switch
562	ADVANCE 2 Series	IP44 interlocked-switch with fuses (compact)
563	ADVANCE 2 Series	IP67 interlocked-switch with fuses
564	ADVANCE 2 HD Series	IP67 interlocked-switch with fuses
565	ADVANCE 2 Series	interlocked-switch with SELV 220/24V
566	ADVANCE 2 HD Series	interlocked-switch with SELV 220/24V
567	ADVANCE 2 Series	IP44 interlocked-switch with DIN rail (large)
568	ADVANCE 2 Series	IP67 interlocked-switch with DIN rail (large)
569	ADVANCE 2 HD Series	IP67 interlocked-switch with DIN rail (large)
576	ADVANCE 2 Series	ADVANCE System and ADVANCE 2 System
578	ADVANCE 2 Series	ADVANCE HD System and ADVANCE 2 HD System

ACCESSORIES AND MODULAR SYSTEMS

570	IEC309 Series	accessories
572	OMNIA System	IP55
576	ADVANCE 2 System	IP66
578	ADVANCE 2 HD System	IP66

3. SWITCHGEAR

590	IP20 Rotary switches
590	IP65 ISOLATORS Series
590	IP65 TOP22 Series

4. ADAPTORS FOR INDUSTRIAL APPLICATIONS

600	2-way	IP44
601	2-way	IP66
602	3/5-way	with cable
603	3/5-way	without cable
604	2-way	IP44 with cable
605	2-way	IP66 with cable
606	3-way	IP67
610	1-way	
623	3/4-way	without cable
625	3/4-way	elevated installation

5. ENCLOSURES FOR ELECTRICAL EQUIPMENT

632	BLOCK Series	IP66 surface mtg. combination units
653	ALUBOX Series	IP66 aluminium junction boxes
654	Kit accessories	
655	EASYBOX Series	IP65 cabinets
665	MASTERBOX 3 Series	IP66 cabinets for construction sites
666	MASTERBOX 5 Series	IP66 cabinets for construction sites
672	DOMINO Series	IP66 consumer units
673	DOMINO Series	IP40 surface mounting consumer units
674	DOMINO Series	IP66 accessories
675	DOMINO Series	IP40 flush mounting consumer units
680	SCABOX Series	IP44 junction boxes
685	SCABOX Series	IP55 junction boxes
686	SCABOX Series	IP56 junction boxes
687	CUBIK Series 650°C	IP55 junction boxes
688	CUBIK Series 960°C	IP55 junction boxes

6. CABLE REELS

707	TRIS Series	for domestic use without thermal switch
709	TRIS Series	for domestic use with thermal switch
745	ROLLER 450 Series	for industrial use
746	ROLLER 330 Series	for domestic or industrial use
749	ROLLER-BLOCK 450 Series	for industrial use
751	AUTOROLLER Series	with automatic rewind - IP20 / IP41
756	AUTOROLLER Series	with automatic rewind watertight - IP43

7. LIGHT - FITTINGS

770	HALE Series	IP65 portable lighting
780	MIZAR Series	IP44 light fittings
781	MIZAR Series	IP44 light fittings
786	MIZAR Series	IP55 light fittings
790	HYDRA Series	IP44 accessoires
791	HYDRA Series	IP44 light fittings
796	HYDRA Series	IP65 light fittings

8. INSTALLATION ACCESSORIES

805	Cable glands - lock nuts - screw caps
810	Insulated wire connectors
812	Insulated wire connectors - strips
815	Terminal strips
817	Multi-way wire connectors
818	Insulated cable pins

9. CONDUIT INSTALLATION ACCESSORIES

820	Spacer brackets - half-saddles - saddles
830	Cable clips
839	Cable ties
845	Sprung ceiling hooks
846	Fixing plugs
860	IP40 inspection elbows and tees - Conduit clips
862	IP40 bends and couplings
864	IP65 bends and couplings
865	Cable sheath, DIN metallic rail and spiral cable binding

10. TRUNKING SYSTEMS

872	Cable and set housing trunking	
874	Slotted cable trunking	
875	WBOX Series	Flush mounting boxes
876	WADO Series	Mini-trunking and accessories
879	WADO Series	Skirting trunking and accessories

NOTE:

This catalogue is a summary of a wide range of products made by SCAME PARRE Spa. For any further information or specific needs, please visit the ScameOnline web site (<http://www.scame.com>) or call the company directly or your country's official importer.

1. DOMESTIC PLUGS AND SOCKETS



EVOLUTION Series
QUALITY Series
BLUELINE Series
QUICK Series
UNEL Series
GLENO Series
UNIBOX Series
SICURA Series
MULTI-OUTLET Sockets

101. DEVICES



EVOLUTION Series

Available also in anthracite and white colour



Neon lamps

Description	Colour	Pack qty.	Cat. no.
220V		500	101.6200
110V	Neutral	500	101.6200.11
12V		500	101.6200.12
24V		500	101.6200.24



Covers

Description	Colour	Pack qty.	Cat. no.
Blanc cover		100/900	• 101.6201.G
Name plate		6/240	• 101.6202.G
Cable Outlet		100	101.6203.G



Switches

Description	Colour	Pack qty.	Cat. no.
Single pole 16AX - 250V~ with key		6	101.6301K.G
Single pole 16AX - 250V~ *		12/480	• 101.6303.G
Single pole 20AX - 250V~ *		12/480	101.6303.20G
Double pole 16AX - 250V~		12/480	• 101.6302.G
Double pole 20AX - 250V~		12/480	101.6302.20G
Double pole 16AX - 250V~ with light		12/480	• 101.6304.G
Reversing switch 16AX - 250V~		12	• 101.6311.G
Two way switch 16AX - 250V~*		12/480	• 101.6323.G

* Neon available as accessories



Push button

Description	Colour	Pack qty.	Cat. no.
Single pole 10A - 250V~ For automatic rolling shutter		12/480	101.63312.G
Single pole 10A - 250V~ cord operated		12/480	• 101.6331T.G
Single pole 16A - 250V~ N.O.		12/480	• 101.6333.G
Double pole 16A - 250V~ N.O.*		12/480	• 101.6332.G
Double pole 16A - 250V~ with light		12/480	• 101.6302.20G
Double pole 16AX - 250V~ with light		12/480	• 101.6334.G

* Neon available as accessories.



Miniature circuit breakers (MCB'S)

Description	Colour	Pack qty.	Cat. no.
1P+N 16A - 3kA		12	• 101.6340.G
1P+N 10A - 3kA		12	• 101.6340.10G



Socket outlets for Italy

Description	Standard code	Colour	Pack qty.	Cat. no.
2P++ 10A - 250V~	P11 - italian		12/480	• 101.6401.G
2P++ 16A - 250V~	P17 - italian		12/480	• 101.6402.G
2P++ 16A - 250V~	P11/P17 - italian		12/480	• 101.6403.G



Socket outlets for Europeans countries

Description	Type	Colour	Pack qty.	Cat. no.
2P++ 16A - 250V~	French		6/240	101.6411.G
2P++ 16A - 250V~	German		6/240	• 101.6412.G
2P++ 13A - 250V~	British		6/240	101.6413.G
2P++ 15A - 250V~	British		6/240	101.6414.G



Socket outlets for other countries

Description	Type	Colour	Pack qty.	Cat. no.
2P 10A - 250V~	Euro-american		12/480	101.6423.G
2P++ 10A - 250V~	Argentinian		12/480	101.6425.G
2P++ 20A - 250V~	Argentinian		6/240	101.6426.G



TV outlets (Ø 9,5mm)

Description	Colour	Pack qty.	Cat. no.
Male - direct		12	101.6431.G
Male - terminal		12	101.6431.01G
Male - attenuation 10dB		12	101.6431.10G
Female - direct		12	101.6432.G
Female - terminal		12	101.6432.01G
Female - attenuation 10dB		12	101.6432.10G
Coax/sat/cat.F - direct		12	101.6433.G
Female - terminal*		12/480	101.6441.G
Female - attenuation 12dB*		12/480	101.6444.G

* Products for non EU member countries



Telephone outlets

Description	Colour	Pack qty.	Cat. no.
For plug 6/4 single socket		12/480	101.6461.64G
For plug 6/4 twin socket		12	101.6462.64G
Special 2P		12/480	101.6464.G
Special 2P flat and L		12/480	101.6466.G



Data communication outlets

Description	Colour	Pack qty.	Cat. no.
RJ45 - Cat. 5 plug 8/8 unshielded		6	101.6481.50G
RJ45 - Cat. 5 plug 8/8 shielded		6	101.6481.51G



Bells and buzzers

Description	Colour	Pack qty.	Cat. no.
Buzzer 220V~ 8VA		12	101.6501.G
Buzzer 12V~ 8VA		12	101.6501.12G
Bronze bell 220V~ 8VA		12	101.6503.G
Bronze bell 12V~ 8VA		12	101.6503.12G



Indicator units

Description	Colour	Pack qty.	Cat. no.
Pilot light neutral glass*		12/480	101.6541.G
Pilot light red glass*		12/480	• 101.6541.2G
Pilot light green glass*		12/480	• 101.6541.3G
Pilot light red - green glass*		12/480	• 101.6542.G

* Neon available as accessories



Dimmer

Description	Colour	Pack qty.	Cat. no.
Resistive load 500W-250V~ with switch		20	101.6801.05G
Resistive load 500W-250V~ with two-way switch		20	101.6802.05G
Resistive load 350W-250V~ with switch		20	101.6811.03G
Resistive load 350W-250V~ with two-way switch		20	101.6812.03G

With light indicator



Proximity switch

Description	Colour	Pack qty.	Cat. no.
200W-220V~ automatic single pole switch		20	101.6850.G



Burglar alarm system

Description	Colour	Pack qty.	Cat. no.
12Vcc - 1A universal movement detector		20	101.6950.G

With light indicator

105. PLUGS AND SOCKETS ALIGNED POLES - 250V~



QUALITY Series

Reference standard: CEI 23-16
- Screw-down cable clamp

Plugs with 45° angled outlet				
Description	Standard code	Colour	Pack qty.*	Cat. no.
10A	S 11		50/500	• 105.291
2P+⊕			50/500	• 105.291/N
16A	S 17		50/500	• 105.281
			50/500	• 105.281/N

Plugs with straight outlet				
Description	Standard code	Colour	Pack qty.*	Cat. no.
10A 2P+⊕	S 11		50/500	• 105.296
			50/500	• 105.296/N
2P	S 16		50/500	• 105.285
			50/500	• 105.285/N
16A	S 17		50/500	• 105.286
2P+⊕			50/500	• 105.286/N

Sockets with straight outlet				
Description	Standard code	Colour	Pack qty.*	Cat. no.
10A 2P+⊕	P 11		50/500	• 105.293
			50/500	• 105.293/N
2P+⊕	P 17		50/500	• 105.288
			50/500	• 105.288/N
16A	P 11/17		30/500	• 105.283
2P+⊕ Dual-use			30/500	• 105.283/N

* in 10-piece bags

106. PLUGS AND SOCKETS ALIGNED POLES - 250V~



BLUELINE Series

Reference standard: CEI 23-16
- Screw-down cable clamp

Plugs with straight outlet				
Description	Standard code	Colour	Pack qty.*	Cat. no.
10A 2P	S 10		50/500	• 106.3000
			50/500	• 106.3000/N

Sockets with straight outlet				
Description	Standard code	Colour	Pack qty.*	Cat. no.
10A 2P	P 10		50/500	• 106.3010
			50/500	• 106.3010/N

* in 10-piece bags

110. PLUGS AND SOCKETS ALIGNED POLES - 250V~



QUICK Series

Reference standard: CEI 23-16

Plugs with straight outlet				
Description	Standard code	Colour	Pack qty.*	Cat. no.
10A 2P	S 10		50/500	• 110.5000
			50/500	• 110.5000/N

Sockets with straight outlet				
Description	Standard code	Colour	Pack qty.*	Cat. no.
10A 2P	P 10		50/500	• 110.5010
			50/500	• 110.5010/N

* in 10-piece bags

115. EXTRAPIATTE PLUGS ALIGNED POLES - 250V~



QUALITY Series

Reference standard: CEI 23-16
- Screw-down cable clamp

Plugs with angled outlet				
Description	Standard code	Colour	Pack qty.*	Cat. no.
10A	S 11		100/600	• 115.68
2P+⊕			100/600	• 115.68/N
16A	S 17		100/600	• 115.70
			100/600	• 115.70/N

* in 10-piece bags

116. EXTRAPIATTE PLUGS ALIGNED POLES - 250V~



BLUELINE Series

Reference standard: CEI 23-16
- Screw-down cable clamp

Flat plugs with angled outlet				
Description	Standard code	Colour	Pack qty.*	Cat. no.
10A 2P+⊕	S 11		100/600	• 116.68
			100/600	• 116.68/N

* in 10-piece bags

130. PLUGS AND SOCKETS WITH SIDE EARTH CONTACT - 250V~



UNEL Series

Reference standard: DIN VDE 0620 and CEI 23-5

Plugs with 90° angled outlet			
Description	Colour	Pack qty.	Cat. no.
16A 2P+⊕ (French - German)		50/500	• 130.83
		50/500	• 130.83/N

Plugs with straight outlet			
Description	Colour	Pack qty.	Cat. no.
16A 2P+⊕ (German)		50/500	• 130.2063
		50/500	• 130.2063/N

Sockets with straight outlet			
Description	Colour	Pack qty.	Cat. no.
16A 2P+⊕ (German)		25/250	• 130.2082
		25/250	• 130.2082/N

Surface mounting socket outlets #			
Description	Colour	Pack qty.	Cat. no.
16A 2P+⊕ (German)		20/200	130.066
		20/200	130.066/N

Available until stocks are exhausted.

135. ACCESSORIES

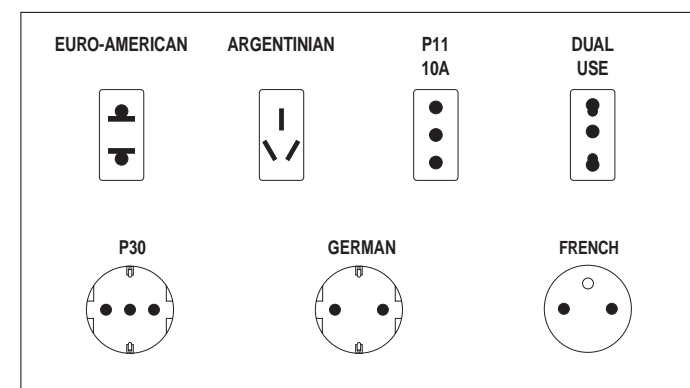


GLENO Series

Blank socket covers			
Description	Colour	Pack qty.	Cat. no.
For 10A sockets		100/2000	135.35/60
For 16A sockets		100/2000	135.35/80

Buzzers #			
Description	Colour	Pack qty.	Cat. no.
Rated voltage 5-15V		30/300	135.34/A

Available until stocks are exhausted.



136. ENCLOSURE FOR WIRING ACCESSORIES



UNIBOX Series

Reference standards: IEC 60670



Flush mounting enclosure - IP55

Description	Dimensions	Pack qty.	Cat. no.
3 gang	120x98x28 mm	3/60	• 136.5023



Surface mounting enclosure - IP40

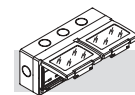
Description	Dimensions	Pack qty.	Cat. no.
1 gang	68x82x52 mm	5/100	• 136.4121
2 gang	68x82x52 mm	5/100	• 136.4122
3 gang	98x82x52 mm	3/60	• 136.4123



Surface mounting enclosure - IP55

Description	Dimensions	Pack qty.	Cat. no.
1 gang	68x82x66 mm	5/80	• 136.5121
2 gang	68x82x66 mm	5/80	• 136.5122
3 gang	98x82x66 mm	3/60	• 136.5123
2+2 gang	137x82x66 mm	1/24	• 136.5124
3+3 gang	198x82x66 mm	1/16	• 136.5126

Suitable for EVOLUTION Series accessories (and BASIC Series accessories with specific bearing adaptors).



Surface mounting accessories - IP55

Gang	Description	Pack qty.	Cat. no.
1	1 x bell push*	32	136.5121-333
	1 x 2P switch 20AX D.P.	32	136.5121-302
	1 x 1P switch*	32	136.5121-303
	1 x 2P switch 20AX D.P.	32	136.5121-304
	1 x two-way switch*	32	136.5121-323
2	2 x 1P switch*	32	136.5122-303
	2 x two-way switch*	32	136.5122-323
	1 x 16A french socket without switch	32	136.5122-411
	1 x 16A german socket without switch	32	136.5122-412
	1 x 13A british socket without switch	32	136.5122-413
3	1 x 15A british socket without switch	32	136.5122-414
	3 x 1P switch*	24	136.5123-303
	3 x two-way switch*	24	136.5123-323
	1 x 16A french socket with switch*	24	136.5123-411
	1 x 16A german socket with switch*	24	136.5123-412
3+3	1 x 13A british socket with switch*	24	136.5123-413
	1 x 15A british socket with switch*	24	136.5123-414
	4 x 1P switch*	24	136.5124-303
	4 x two-way switch*	24	136.5124-323
	2 x 16A french socket without switch	24	136.5124-411
2+2	2 x 16A german socket without switch	24	136.5124-412
	2 x 13A british socket without switch	24	136.5124-413
	6 x 1P switch*	16	136.5126-303
	6 x two-way switch*	16	136.5126-323
	2 x 16A french socket with switch*	16	136.5126-411
3+3	2 x 16A german socket with switch*	16	136.5126-412
	2 x 13A british socket with switch*	16	136.5126-413

Enclosures provided with EVOLUTION Series accessories.

* Neon available as accessories

** Neon

145. ADAPTORS - 250V~



SICURA Series

Reference standards: CEI 23-5 and CEI 23-16 (italian standard)



For plugs with side earth contact

Plug	Socket	Colour	Pack qty.*	Cat. no.
10A 2P+⊥ (S 11)	16A 2P+⊥ (GERMAN)	□	50/500	• 145.640
		■	50/500	• 145.640/N

* in 5-piece bags

146. ADAPTORS - 250V~



BLUELINE Series

Reference standards: CEI 23-57



One-way adaptors with aligned poles

Plug	Socket	Colour	Pack qty.*	Cat. no.
16A 2P+⊥ (S 17)	16A 2P+⊥ Dual-use P11/P17	□	50/500	• 146.351
		■	50/500	• 146.351/N



One-way adaptors with double earth contact

Plug	Socket	Colour	Pack qty.*	Cat. no.
16A 2P+⊥ (French German)	16A 2P+⊥ Dual-use P11/P17	□	50/500	• 146.361
		■	50/500	• 146.361/N



3-way adaptors

Plug	Socket	Colour	Pack qty.*	Cat. no.
10A 2P+⊥ (S 11)	10A 3 2P+⊥ P11	□	50/500	• 146.555/3
		■	50/500	• 146.555/3-N



Single-outlet trailing socket with surge protective device

Plug	Socket	Colour	Pack qty.	Cat. no.
10A 2P+⊥ (S 11)	10A 2P+⊥ (P 11)	□	12/60	146.360

With special device to protect against over voltages in the electrical supply.

* in 5-piece bags

160. MULTI-OUTLET SOCKETS - 250V~ PORTABLE OR SURFACE MOUNTING BLUELINE Series



Reference standards: CEI 23-5 and CEI 23-50 - 1,5 m cable 3x1 mm²



With cable and plug

Socket	Plug	Colour	Pack qty.	Cat. no.
4 16A 2P+⊥ (GERMAN)	16A 2P+⊥ (GERMAN)	□	10	• 160.214/D
		■	10	• 160.214/D-N



Without cable and plug

Socket	Colour	Pack qty.	Cat. no.
4 16A 2P+⊥ (GERMAN)	□	10	• 160.214
	■	10	• 160.214-N



With cable and plug - Surge protective device

Socket	Plug	Colour	Pack qty.	Cat. no.
3 16A 2P+⊥ (GERMAN)	16A 2P+⊥ (GERMAN)	□	10	160.215D

Lightning arrester= special device to protect against over voltages in the electrical supply.



With cable and plug and luminous switch

Socket	Plug	Colour	Pack qty.	Cat. no.
3 16A 2P+⊥ Dual-use	16A 2P+⊥ (GERMAN)	□	10	• 160.230/D
3 16A 2P+⊥ P30		■	10	• 160.230/D-N



With cable and plug and luminous switch - Surge protective device

Socket	Plug	Colour	Pack qty.	Cat. no.
3 16A 2P+⊥ Dual-use	16A 2P+⊥ (GERMAN)	□	10	• 160.233/D
3 16A 2P+⊥ P30		■	10	• 160.233/D-N

Lightning arrester= special device to protect against over voltages in the electrical supply.

2. PLUGS AND SOCKETS FOR INDUSTRIAL APPLICATIONS



LIBERA Series
EUREKA Series
IEC309 Series
OMNIA Series
ADVANCE 2 Series
Accessories

SPECIALS

200. CONNECTORS FOR ELECTRIC VEHICLES - IP44



LIBERA Series



Connector for electric vehicles - IP44

Description	Type	Colour	Pack qty.	Cat. no.
Adaptor for domestic use	16A-230V-2P+⊕	■	10/100	200.01623
Plug	16A-230V-2P+⊕ pilot	■	10/100	200.01633
	32A-230V-2P+⊕ pilot	■	10/100	200.03233
Socket	16A-230V-2P+⊕ pilot	■	10/100	200.01643
	32A-230V-2P+⊕ pilot	■	10/100	200.03243
Flush	16A-230V-2P+⊕ pilot	■	10/100	200.01663
	32A-230V-2P+⊕ pilot	■	10/100	200.03263
Flush	16A-230V-2P+⊕ pilot	■	10/100	200.01693
	32A-230V-2P+⊕ pilot	■	10/100	200.03293

PLUGS

210. PLUGS - IP44



IEC309 Series

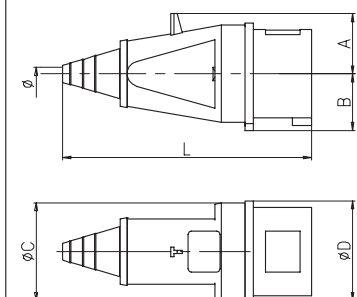
Reference standards: IEC 60309-1 and IEC 60309-2



Straight

Description	Colour	Pack qty.	Cat. no.
2P+⊕	4h 50/60Hz 100-130V	■	10/100 • 210.1630
	6h 50/60Hz 200-250V	■	10/100 • 210.1633
		■	50 • 210.1633-SF
16A 3P+⊕	9h 50/60Hz 200-250V	■	10/100 • 210.1634
	6h 50/60Hz 380-415V	■	10/100 • 210.1636
		■	50 • 210.1636-SF
3P+N+⊕	6h 50/60Hz 346-415V	■	10/100 • 210.1637
		■	50 • 210.1637-SF
32A 2P+⊕	6h 50/60Hz 200-250V	■	10/100 • 210.3233
	9h 50/60Hz 200-250V	■	10/100 • 210.3234
	6h 50/60Hz 380-415V	■	10/100 • 210.3236
3P+N+⊕	6h 50/60Hz 346-415V	■	10/100 • 210.3237

210.



	L	B	Ø
16A	2P+⊕	135	58
	3P+⊕	142	67
	3P+N+⊕	159	76
32A	2P+⊕	174	79
	3P+⊕	174	79
	3P+N+⊕	180	88

211. PLUGS - IP44



EUREKA Series

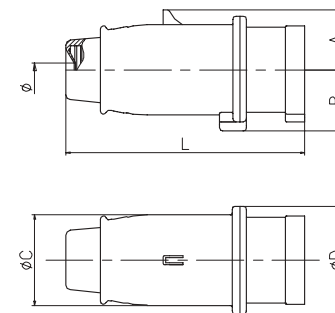
Reference standards: IEC 60309-1 and IEC 60309-2



Straight

Description	Colour	Pack qty.	Cat. no.
2P+⊕	4h 50/60Hz 100-130V	■	10/100 • 211.1630
	6h 50/60Hz 200-250V	■	10/100 • 211.1633
		■	50 • 211.1633-SF
16A 3P+⊕	9h 50/60Hz 380-415V	■	10/100 • 211.1638
	4h 50/60Hz 100-130V	■	10/100 • 211.1631
	9h 50/60Hz 200-250V	■	10/100 • 211.1634
3P+N+⊕	6h 50/60Hz 380-415V	■	10/100 • 211.1636
		■	50 • 211.1636-SF
	3h 50-60Hz 380/440V	■	10/100 • 211.16364
32A 2P+⊕	4h 50/60Hz 100-130V	■	10/100 • 211.1632
	9h 50/60Hz 208-250V	■	10/100 • 211.1635
	6h 50/60Hz 346-415V	■	10/100 • 211.1637
3P+N+⊕		■	50 • 211.1637-SF
	4h 50/60Hz 100-130V	■	10/50 • 211.3230
	6h 50/60Hz 200-250V	■	10/50 • 211.3233
32A 3P+⊕	9h 50/60Hz 380-415V	■	10/50 • 211.3238
	4h 50/60Hz 100-130V	■	10/50 • 211.3231
	9h 50/60Hz 200-250V	■	10/50 • 211.3234
3P+N+⊕	6h 50/60Hz 380-415V	■	10/50 • 211.3236
	3h 50-60Hz 380/440V	■	10/50 • 211.32364
	4h 50/60Hz 100-130V	■	10/50 • 211.3232
3P+N+⊕	9h 50/60Hz 208-250V	■	10/50 • 211.3235
	6h 50/60Hz 346-415V	■	10/50 • 211.3237

211.



	A	B	C	D	L	Ø Min.
16A	2P+⊕	30	31	44	53	128
	3P+⊕	34	35	50	59	135
	3P+N+⊕	38	38	57	68	150
32A	2P+⊕	40	38	57	68	159
	3P+⊕	40	38	57	68	159
	3P+N+⊕	45	42	62	75	166

215. PLUGS - IP67



IEC309 Series

Reference standards: IEC 60309-1 and IEC 60309-2



Straight

Description	Colour	Pack qty.	Cat. no.
2P+⊕	4h 50/60Hz 100-130V	■	6/24 • 215.6330
	6h 50/60Hz 200-250V	■	6/24 • 215.6333
	9h 50/60Hz 380-415V	■	6/24 • 215.6338
63A 3P+⊕	4h 50/60Hz 100-130V	■	6/24 • 215.6331
	9h 50/60Hz 200-250V	■	6/24 • 215.6334
	6h 50/60Hz 380-415V	■	6/24 • 215.6336
3P+N+⊕	4h 50/60Hz 100-130V	■	6/24 • 215.6332
	9h 50/60Hz 208-250V	■	6/24 • 215.6335
	6h 50/60Hz 346-415V	■	6/24 • 215.6337
125A 2P+⊕	6h 50/60Hz 200-250V	■	1/8 • 215.12533
	4h 50/60Hz 100-130V	■	1/8 • 215.12531
	9h 50/60Hz 200-250V	■	1/8 • 215.12534
3P+N+⊕	6h 50/60Hz 380-415V	■	1/8 • 215.12536
	4h 50/60Hz 100-130V	■	1/8 • 215.12532
	9h 50/60Hz 208-250V	■	1/8 • 215.12535
	6h 50/60Hz 346-415V	■	1/8 • 215.12537

216.
PLUGS - IP67



EUREKA Series

Reference standards: IEC 60309-1 and IEC 60309-2

Straight				
Description	Colour	Pack qty.	Cat. no.	
2P+±	4h 50/60Hz 100-130V	10/100	• 216.1630	
	6h 50/60Hz 200-250V	10/100	• 216.1633	
		50	• 216.1633-SF	
16A	9h 50/60Hz 380-415V	10/100	• 216.1638	
	4h 50/60Hz 100-130V	10/100	• 216.1631	
	9h 50/60Hz 200-250V	10/100	• 216.1634	
3P+±	6h 50/60Hz 380-415V	10/100	• 216.1636	
		50	• 216.1636-SF	
	3h 50-60Hz 380/440V	10/100	• 216.16364	
3P+N+±	4h 50/60Hz 100-130V	10/40	• 216.1632	
	9h 50/60Hz 208-250V	10/40	• 216.1635	
	6h 50/60Hz 346-415V	10/40	• 216.1637	
2P+±	4h 50/60Hz 100-130V	10/40	• 216.3230	
	6h 50/60Hz 200-250V	10/40	• 216.3233	
	9h 50/60Hz 380-415V	10/40	• 216.3238	
32A	4h 50/60Hz 100-130V	10/40	• 216.3231	
	9h 50/60Hz 200-250V	10/40	• 216.3234	
	6h 50/60Hz 380-415V	10/40	• 216.3236	
3P+±	3h 50-60Hz 380/440V	10/40	• 216.32364	
	4h 50/60Hz 100-130V	10/40	• 216.3232	
	9h 50/60Hz 208-250V	10/40	• 216.3235	
3P+N+±	4h 50/60Hz 100-130V	10/40	• 216.3232	
	6h 50/60Hz 346-415V	10/40	• 216.3237	

221.
PLUGS - IP44



EUREKA Series

Reference standards: IEC 60309-1 and IEC 60309-2

Angled				
Description	Colour	Pack qty.	Cat. no.	
2P+±	4h 50/60Hz 100-130V	10/100	• 221.1630	
	6h 50/60Hz 200-250V	10/100	• 221.1633	
	9h 50/60Hz 380-415V	10/100	• 221.1638	
16A	4h 50/60Hz 100-130V	10/100	• 221.1631	
	9h 50/60Hz 200-250V	10/100	• 221.1634	
	6h 50/60Hz 380-415V	10/100	• 221.1636	
3P+±	3h 50-60Hz 380/440V	10/100	• 221.16364	
	4h 50/60Hz 100-130V	10/100	• 221.1632	
	9h 50/60Hz 208-250V	10/100	• 221.1635	
3P+N+±	6h 50/60Hz 346-415V	10/100	• 221.1637	
	4h 50/60Hz 100-130V	10/60	• 221.3230	
	6h 50/60Hz 200-250V	10/60	• 221.3233	
2P+±	9h 50/60Hz 380-415V	10/60	• 221.3238	
	4h 50/60Hz 100-130V	10/60	• 221.3231	
	9h 50/60Hz 200-250V	10/60	• 221.3234	
32A	3P+±	6h 50/60Hz 380-415V	• 221.3236	
		3h 50-60Hz 380/440V	• 221.32364	
		4h 50/60Hz 100-130V	• 221.3232	
3P+N+±	9h 50/60Hz 208-250V	10/50	• 221.3235	
	6h 50/60Hz 346-415V	10/50	• 221.3237	

226.
PLUGS - IP67



EUREKA Series

Reference standards: IEC 60309-1 and IEC 60309-2

Angled				
Description	Colour	Pack qty.	Cat. no.	
2P+±	4h 50/60Hz 100-130V	10/100	• 226.1630	
	6h 50/60Hz 200-250V	10/100	• 226.1633	
	9h 50/60Hz 380-415V	10/100	• 226.1638	
16A	4h 50/60Hz 100-130V	10/100	• 226.1631	
	9h 50/60Hz 200-250V	10/100	• 226.1634	
	6h 50/60Hz 380-415V	10/100	• 226.1636	
3P+±	3h 50-60Hz 380/440V	10/100	• 226.16364	
	4h 50/60Hz 100-130V	10/50	• 226.1632	
	9h 50/60Hz 208-250V	10/50	• 226.1635	
3P+N+±	6h 50/60Hz 346-415V	10/50	• 226.1637	
	4h 50/60Hz 100-130V	10/40	• 226.3230	
	6h 50/60Hz 200-250V	10/40	• 226.3233	
2P+±	9h 50/60Hz 380-415V	10/40	• 226.3238	
	4h 50/60Hz 100-130V	10/40	• 226.3231	
	9h 50/60Hz 200-250V	10/40	• 226.3234	
32A	3P+±	6h 50/60Hz 380-415V	• 226.3236	
		3h 50-60Hz 380/440V	• 226.32364	
		4h 50/60Hz 100-130V	• 226.3232	
3P+N+±	9h 50/60Hz 208-250V	10/40	• 226.3235	
	6h 50/60Hz 346-415V	10/40	• 226.3237	

230.
PLUGS - IP44



IEC309 Series

Reference standards: IEC 60309-1 and IEC 60309-2

Straight <50V				
Description	Colour	Pack qty.	Cat. no.	
2P	-h 50/60Hz 20-25V	10/100	• 230.1600	
	12h 50/60Hz 40-50V	10/100	• 230.1601	
	10h d.c. 20-25/40-50V	10/100	• 230.1602	
16A	12h 50/60Hz 40-50V	10/100	• 230.1603	
	-h 50/60Hz 20-25V	10/100	• 230.1604	
	-h 50/60Hz 20-25V	10/100	• 230.3200	
2P	12h 50/60Hz 40-50V	10/100	• 230.3201	
	10h d.c. 20-25/40-50V	10/100	• 230.3202	
	12h 50/60Hz 40-50V	10/100	• 230.3203	
3P	-h 50/60Hz 20-25V	10/100	• 230.3204	

235.
PLUGS - IP67



IEC309 Series

Reference standards: IEC 60309-1 and IEC 60309-2

Straight <50V				
Description	Colour	Pack qty.	Cat. no.	
2P	-h 50/60Hz 20-25V	10/100	• 235.1600	
	12h 50/60Hz 40-50V	10/100	• 235.1601	
	10h d.c. 20-25/40-50V	10/100	• 235.1602	
16A	12h 50/60Hz 40-50V	10/100	• 235.1603	
	-h 50/60Hz 20-25V	10/100	• 235.1604	
	-h 50/60Hz 20-25V	10/100	• 235.3200	
2P	12h 50/60Hz 40-50V	10/100	• 235.3201	
	10h d.c. 20-25/40-50V	10/100	• 235.3202	
	12h 50/60Hz 40-50V	10/100	• 235.3203	
3P	-h 50/60Hz 20-25V	10/100	• 235.3204	

216.

	IP67	ØG	B	L	Ø Min.
16A	2P+±	73	98	132	8
	3P+±	81	105	139	8
	3P+N+±	88	121	155	10
32A	2P+±	93	121	164	10
	3P+±	93	121	164	10
	3P+N+±	101	130	173	14

221.

	IP44	A	L	Ø Min.
16A	2P+±	70	109	7
	3P+±	77	113	7
	3P+N+±	88	117	9
32A	2P+±	90	135	9
	3P+±	90	135	9
	3P+N+±	100	135	10

226.

	IP67	A	L	ØG	Ø Min.
16A	2P+±	80	109	73	8
	3P+±	88	113	81	8
	3P+N+±	100	117	88	10
32A	2P+±	100	135	93	10
	3P+±	100	135	93	10
	3P+N+±	108	140	101	14

230. **235.**

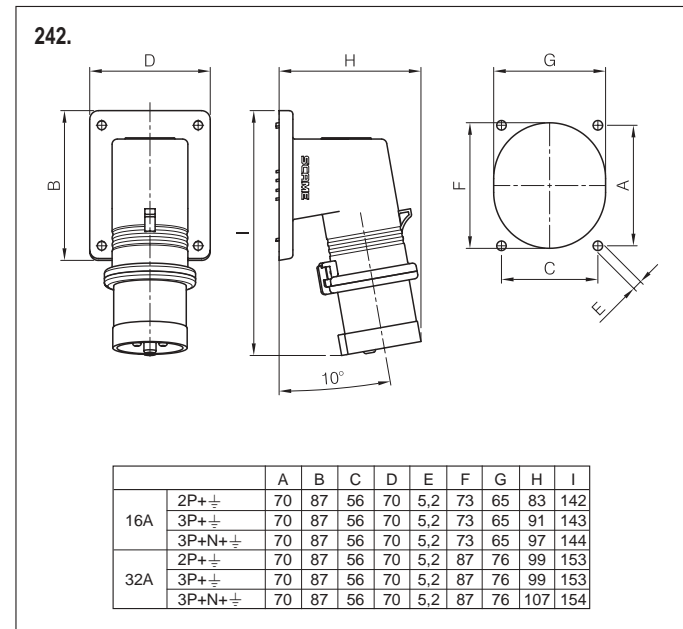
242. APPLIANCE INLETS - IP44



EUREKA Series

Reference standards: IEC 60309-1 and IEC 60309-2
Flange: 70x87 mm

		90° angled				
Description		Colour	Pack qty.	Cat. no.		
2P+±	4h 50/60Hz 100-130V	Yellow	10/100	• 242.1690		
	6h 50/60Hz 200-250V	Blue	10/100	• 242.1693		
	9h 50/60Hz 380-415V	Red	10/100	• 242.1698		
16A 3P+±	4h 50/60Hz 100-130V	Yellow	10/100	• 242.1691		
	9h 50/60Hz 200-250V	Blue	10/100	• 242.1694		
	6h 50/60Hz 380-415V	Red	10/100	• 242.1696		
3P+N+±	4h 50/60Hz 100-130V	Yellow	10/100	• 242.1692		
	9h 50/60Hz 208-250V	Blue	10/100	• 242.1695		
	6h 50/60Hz 346-415V	Red	10/100	• 242.1697		
2P+±	4h 50/60Hz 100-130V	Yellow	10/100	• 242.3290		
	6h 50/60Hz 200-250V	Blue	10/100	• 242.3293		
	9h 50/60Hz 380-415V	Red	10/100	• 242.3298		
32A 3P+±	4h 50/60Hz 100-130V	Yellow	10/100	• 242.3291		
	9h 50/60Hz 200-250V	Blue	10/100	• 242.3294		
	6h 50/60Hz 380-415V	Red	10/100	• 242.3296		
	3h 50/60Hz 380-440V	Red	10/100	• 242.32964		



245. APPLIANCE INLETS - IP67



IEC309 Series

Reference standards: IEC 60309-1 and IEC 60309-2

		Standard				
Description		Colour	Pack qty.	Cat. no.		
2P+±	4h 50/60Hz 100-130V	Yellow	3/12	245.6390		
	6h 50/60Hz 200-250V	Blue	3/12	245.6393		
	9h 50/60Hz 380-415V	Red	3/12	245.6394		
63A 3P+±	4h 50/60Hz 100-130V	Yellow	3/12	245.6391		
	9h 50/60Hz 200-250V	Blue	3/12	245.6392		
	6h 50/60Hz 380-415V	Red	3/12	245.6396		
3P+N+±	4h 50/60Hz 100-130V	Yellow	3/12	245.6395		
	9h 50/60Hz 208-250V	Blue	3/12	245.6397		
	6h 50/60Hz 346-415V	Red	3/12	245.6398		
2P+±	6h 50/60Hz 200-250V	Blue	1/8	245.12593		
	4h 50/60Hz 100-130V	Yellow	1/8	245.12591		
	3P+±	9h 50/60Hz 200-250V	Blue	1/8	245.12592	
125A	6h 50/60Hz 380-415V	Red	1/8	245.12596		
	4h 50/60Hz 100-130V	Yellow	1/8	245.12595		
	3P+N+±	9h 50/60Hz 208-250V	Blue	1/8	245.12598	
	6h 50/60Hz 346-415V	Red	1/8	245.12597		

NOTE: also available with metric cable inlet.

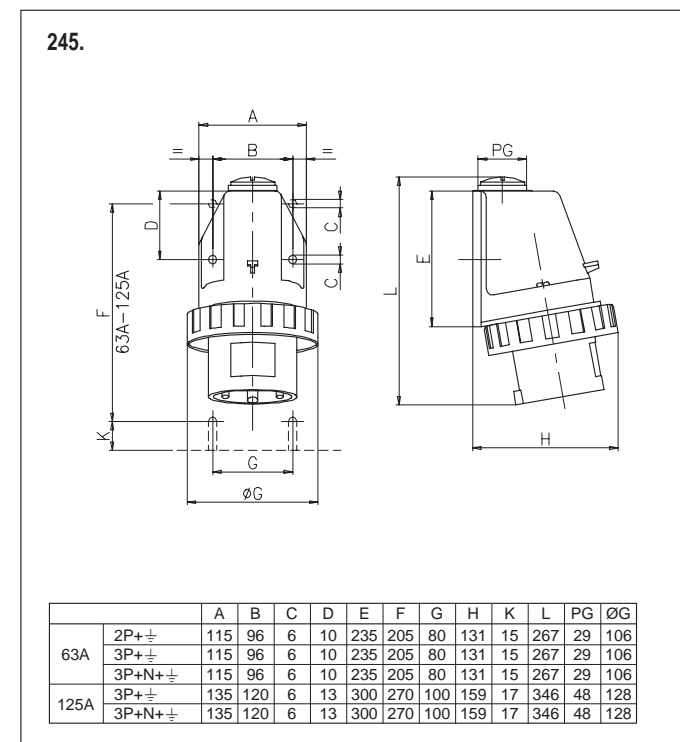
246. APPLIANCE INLETS - IP67



IEC309 Series

Reference standards: IEC 60309-1 and IEC 60309-2

		Panel mounting				
Description		Colour	Pack qty.	Cat. no.		
2P+±	4h 50/60Hz 100-130V	Yellow	10	246.6390		
	6h 50/60Hz 200-250V	Blue	10	246.6393		
	9h 50/60Hz 380-415V	Red	10	246.6394		
63A 3P+±	4h 50/60Hz 100-130V	Yellow	10	246.6391		
	9h 50/60Hz 200-250V	Blue	10	246.6392		
	6h 50/60Hz 380-415V	Red	10	246.6396		
3P+N+±	4h 50/60Hz 100-130V	Yellow	10	246.6395		
	9h 50/60Hz 208-250V	Blue	10	246.6397		
	6h 50/60Hz 346-415V	Red	10	246.6398		
2P+±	6h 50/60Hz 200-250V	Blue	10	246.12593		
	4h 50/60Hz 100-130V	Yellow	10	246.12591		
	3P+±	9h 50/60Hz 200-250V	Blue	10	246.12592	
125A	6h 50/60Hz 380-415V	Red	10	246.12596		
	4h 50/60Hz 100-130V	Yellow	10	246.12595		
	3P+N+±	9h 50/60Hz 208-250V	Blue	10	246.12598	
	6h 50/60Hz 346-415V	Red	10	246.12597		



247. APPLIANCE INLETS - IP67

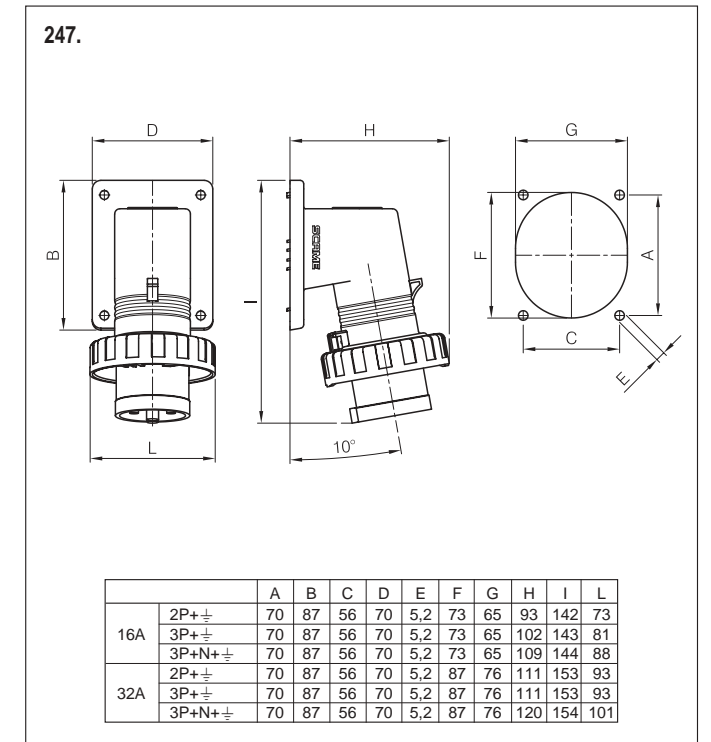


EUREKA Series

Reference standards: IEC 60309-1 and IEC 60309-2

		90° angled				
Description		Colour	Pack qty.	Cat. no.		
2P+±	4h 50/60Hz 100-130V	Yellow	10/100	• 247.1690		
	6h 50/60Hz 200-250V	Blue	10/100	• 247.1693		
	9h 50/60Hz 380-415V	Red	10/100	• 247.1698		
16A 3P+±	4h 50/60Hz 100-130V	Yellow	10/100	• 247.1691		
	9h 50/60Hz 200-250V	Blue	10/100	• 247.1694		
	6h 50/60Hz 380-415V	Red	10/100	• 247.1696		
3P+N+±	4h 50/60Hz 100-130V	Yellow	10/100	• 247.1692		
	9h 50/60Hz 208-250V	Blue	10/100	• 247.1695		
	6h 50/60Hz 346-415V	Red	10/100	• 247.1697		
2P+±	4h 50/60Hz 100-130V	Yellow	10/100	• 247.3290		
	6h 50/60Hz 200-250V	Blue	10/100	• 247.3293		
	9h 50/60Hz 380-415V	Red	10/100	• 247.3298		
32A 3P+±	4h 50/60Hz 100-130V	Yellow	10/100	• 247.3291		
	9h 50/60Hz 200-250V	Blue	10/100	• 247.3294		
	6h 50/60Hz 380-415V	Red	10/100	• 247.3296		
	3h 50/60Hz 380-440V	Red	10/100	• 247.32964		

Flange: 70x87 mm



299. MOTOR STARTING UNITS - IP55

EUREKA Series

Reference standards: IEC 60309-1,
IEC 60309-2 and IEC 60947-4-1



Empty enclosure

Description	Colour	Pack qty.	Cat. no.
- Without plug		1/10	299.1600-00



Stop-start unit

Description	Colour	Pack qty.	Cat. no.
Miniature circuit breaker		1/10	299.1693-00
16A 2P+÷ 6h - 250V~ Miniature circuit breaker + fuse		1/10	299.1693-01
16A 3P+÷ 6h - 380V~ Miniature circuit breaker		1/10	299.1686-16



Motor cut-out

Description	In (A)	Icc(kA)	Kw	Cv	Colour	Pack qty.	Cat. no.
	1.6-2.5	6	0.2-0.4	0.3-0.5		1/10	299.1693-02
	2.5-4.0	6	0.4-0.6	0.5-0.9		1/10	299.1693-04
16A 2P+÷ 6h - 250V~	4.0-6.3	6	0.6-1.0	0.9-1.4		1/10	299.1693-06
	6.3-10	6	1.0-1.6	1.4-2.2		1/10	299.1693-10
	10-16	6	1.6-2.6	2.2-3.5		1/10	299.1693-16
	1.6-2.5	6	0.7-1.2	1.0-1.5		1/10	299.1696-02
	2.5-4.0	6	1.2-1.9	1.5-2.5		1/10	299.1696-04
16A 3P+÷ 6h - 380V~	4.0-6.3	6	1.9-3	2.5-4.1		1/10	299.1696-06
	6.3-10	6	3-4.8	4.1-6.6		1/10	299.1696-10
	10-16	6	4.8-7.7	5.6-10.5		1/10	299.1696-16

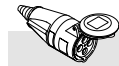
CONNECTORS

310.
SOCKETS - IP44



IEC309 Series

Reference standards: IEC 60309-1 and IEC 60309-2



Straight

Description	Colour	Pack qty.	Cat. no.
2P+⊥	4h 50/60Hz 100-130V	10/100	• 310.1640
	6h 50/60Hz 200-250V	10/100	• 310.1643
		50	• 310.1643-SF
16A 3P+⊥	9h 50/60Hz 200-250V	10/100	• 310.1644
	6h 50/60Hz 380-415V	10/100	• 310.1646
		50	• 310.1646-SF
3P+N+⊥	6h 50/60Hz 346-415V	10/100	• 310.1647
		50	• 310.1647-SF
32A 2P+⊥	6h 50/60Hz 200-250V	10/50	• 310.3243
	9h 50/60Hz 200-250V	10/50	• 310.3244
	6h 50/60Hz 380-415V	10/50	• 310.3246
3P+N+⊥	6h 50/60Hz 346-415V	10/50	• 310.3247

311.
SOCKETS - IP44



EUREKA Series

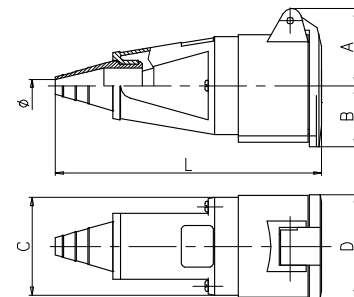
Reference standards: IEC 60309-1 and IEC 60309-2



Straight

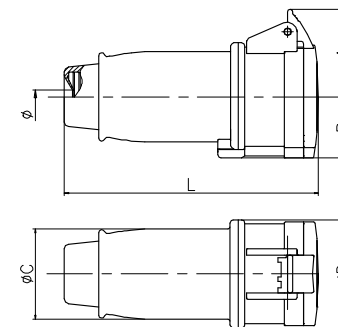
Description	Colour	Pack qty.	Cat. no.
2P+⊥	4h 50/60Hz 100-130V	10/100	• 311.1640
	6h 50/60Hz 200-250V	10/100	• 311.1643
		50	• 311.1643-SF
16A 3P+⊥	9h 50/60Hz 380-415V	10/100	• 311.1648
	4h 50/60Hz 100-130V	10/100	• 311.1641
	9h 50/60Hz 200-250V	10/100	• 311.1644
3P+N+⊥	6h 50/60Hz 380-415V	10/100	• 311.1646
		50	• 311.1646-SF
	3h 50-60Hz 380/440V	10/100	• 311.16464
32A 2P+⊥	4h 50/60Hz 100-130V	10/100	• 311.1642
	9h 50/60Hz 208-250V	10/100	• 311.1645
	6h 50/60Hz 346-415V	10/100	• 311.1647
3P+N+⊥		50	• 311.1647-SF
	4h 50/60Hz 100-130V	10/50	• 311.3240
	6h 50/60Hz 200-250V	10/50	• 311.3243
32A 3P+⊥	9h 50/60Hz 380-415V	10/50	• 311.3248
	4h 50/60Hz 100-130V	10/50	• 311.3241
	9h 50/60Hz 200-250V	10/50	• 311.3244
3P+N+⊥	6h 50/60Hz 380-415V	10/50	• 311.3246
	3h 50-60Hz 380/440V	10/50	• 311.32464
	4h 50/60Hz 100-130V	10/50	• 311.3242
3P+N+⊥	9h 50/60Hz 208-250V	10/50	• 311.3245
	6h 50/60Hz 346-415V	10/50	• 311.3247

310.



	A	B	C	D	L	ø	
16A	2P+⊥	38	29	50	50	146	7
	3P+⊥	41	32	55	57	155	7
	3P+N+⊥	49	39	62	65	168	9
32A	2P+⊥	47	39	56	65	182	9
	3P+⊥	47	39	56	65	182	9
	3P+N+⊥	51	42	69	71	193	13

311.



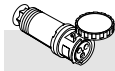
	IP44	A	B	C	D	L	ø Min.
16A	2P+⊥	46	31	44	53	137	7
	3P+⊥	49	34	50	60	144	7
	3P+N+⊥	55	39	57	68	160	9
32A	2P+⊥	55	39	57	68	170	9
	3P+⊥	55	39	57	68	170	9
	3P+N+⊥	61	43	63	75	178	10

315. SOCKETS - IP67



IEC309 Series

Reference standards: IEC 60309-1 and IEC 60309-2



Straight

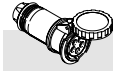
Description	Colour	Pack qty.	Cat. no.
2P+⊕	4h 50/60Hz 100-130V	6/24	• 315.6340
	6h 50/60Hz 200-250V	6/24	• 315.6343
	9h 50/60Hz 380-415V	6/24	• 315.6348
63A 3P+⊕	4h 50/60Hz 100-130V	6/24	• 315.6341
	9h 50/60Hz 200-250V	6/24	• 315.6344
	6h 50/60Hz 380-415V	6/24	• 315.6346
3P+N+⊕	4h 50/60Hz 100-130V	6/24	• 315.6342
	9h 50/60Hz 208-250V	6/24	• 315.6345
	6h 50/60Hz 346-415V	6/24	• 315.6347
2P+⊕	6h 50/60Hz 200-250V	1/8	• 315.12538
	4h 50/60Hz 100-130V	1/8	• 315.12541
3P+⊕	9h 50/60Hz 200-250V	1/8	• 315.12544
	6h 50/60Hz 380-415V	1/8	• 315.12546
125A 3P+N+⊕	4h 50/60Hz 100-130V	1/8	• 315.12542
	6h 50/60Hz 346-415V	1/8	• 315.12547

316. SOCKETS - IP67



EUREKA Series

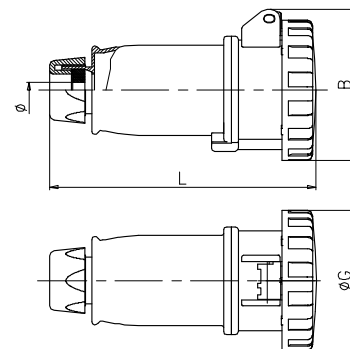
Reference standards: IEC 60309-1 and IEC 60309-2



Straight

Description	Colour	Pack qty.	Cat. no.
2P+⊕	4h 50/60Hz 100-130V	10/100	• 316.1640
	6h 50/60Hz 200-250V	10/100	• 316.1643
	9h 50/60Hz 380-415V	50	• 316.1643-SF
16A 3P+⊕	4h 50/60Hz 100-130V	10/100	• 316.1648
	9h 50/60Hz 200-250V	10/100	• 316.1641
	6h 50/60Hz 380-415V	10/100	• 316.1644
3P+N+⊕	4h 50/60Hz 100-130V	10/100	• 316.1646
	6h 50/60Hz 380-415V	50	• 316.1646-SF
	3h 50-60Hz 380/440V	10/100	• 316.16464
3P+N+⊕	4h 50/60Hz 100-130V	10/40	• 316.1642
	6h 50/60Hz 208-250V	10/40	• 316.1645
	9h 50/60Hz 346-415V	10/40	• 316.1647
32A 3P+⊕	4h 50/60Hz 100-130V	10/40	• 316.3240
	6h 50/60Hz 200-250V	10/40	• 316.3243
	9h 50/60Hz 380-415V	10/40	• 316.3248
3P+N+⊕	4h 50/60Hz 100-130V	10/40	• 316.3241
	6h 50/60Hz 200-250V	10/40	• 316.3244
	9h 50/60Hz 380-415V	10/40	• 316.3246
3P+N+⊕	3h 50-60Hz 380/440V	10/40	• 316.32464
	4h 50/60Hz 100-130V	10/40	• 316.3242
	9h 50/60Hz 208-250V	10/40	• 316.3245
6h 50/60Hz 346-415V	10/40	• 316.3247	

316.



	IP67	ØG	B	L	Ø Min.
16A	2P+⊕	73	75	144	8
	3P+⊕	81	83	150	8
	3P+N+⊕	88	95	168	10
32A	2P+⊕	93	102	178	10
	3P+⊕	93	102	178	10
	3P+N+⊕	101	102	187	14

321. SOCKETS - IP44



EUREKA Series

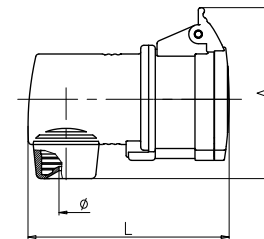
Reference standards: IEC 60309-1 and IEC 60309-2



Angled

Description	Colour	Pack qty.	Cat. no.
2P+⊕	4h 50/60Hz 100-130V	10/100	• 321.1640
	6h 50/60Hz 200-250V	10/100	• 321.1643
	9h 50/60Hz 380-415V	10/100	• 321.1648
16A 3P+⊕	4h 50/60Hz 100-130V	10/100	• 321.1641
	9h 50/60Hz 200-250V	10/100	• 321.1644
	6h 50/60Hz 380-415V	10/100	• 321.1646
3P+N+⊕	3h 50-60Hz 380/440V	10/100	• 321.16464
	4h 50/60Hz 100-130V	10/100	• 321.1642
	9h 50/60Hz 208-250V	10/100	• 321.1645
3P+N+⊕	6h 50/60Hz 346-415V	10/100	• 321.1647
	4h 50/60Hz 100-130V	10/50	• 321.3240
	6h 50/60Hz 200-250V	10/50	• 321.3243
32A 3P+⊕	9h 50/60Hz 380-415V	10/50	• 321.3248
	4h 50/60Hz 100-130V	10/50	• 321.3241
	9h 50/60Hz 200-250V	10/50	• 321.3244
3P+N+⊕	6h 50/60Hz 380-415V	10/50	• 321.3246
	3h 50-60Hz 380/440V	10/50	• 321.32464
	4h 50/60Hz 100-130V	10/50	• 321.3242
3P+N+⊕	9h 50/60Hz 208-250V	10/50	• 321.3245
	6h 50/60Hz 346-415V	10/50	• 321.3247

321.



	IP44	A	L	Ø Min.
16A	2P+⊕	89	117	7
	3P+⊕	95	122	7
	3P+N+⊕	108	127	9
32A	2P+⊕	110	146	9
	3P+⊕	110	146	9
	3P+N+⊕	120	152	10

326. SOCKETS - IP67



EUREKA Series

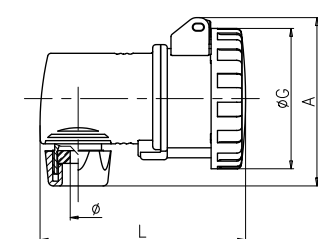
Reference standards: IEC 60309-1 and IEC 60309-2



Angled

Description	Colour	Pack qty.	Cat. no.
2P+⊕	4h 50/60Hz 100-130V	10/100	• 326.1640
	6h 50/60Hz 200-250V	10/100	• 326.1643
	9h 50/60Hz 380-415V	10/100	• 326.1648
16A 3P+⊕	4h 50/60Hz 100-130V	10/100	• 326.1641
	9h 50/60Hz 200-250V	10/100	• 326.1644
	6h 50/60Hz 380-415V	10/100	• 326.1646
3P+N+⊕	3h 50/60Hz 380-440V	10/100	• 326.16464
	4h 50/60Hz 100-130V	10/50	• 326.1642
	9h 50/60Hz 208-250V	10/50	• 326.1645
3P+N+⊕	6h 50/60Hz 346-415V	10/50	• 326.1647
	4h 50/60Hz 100-130V	10/40	• 326.3240
	6h 50/60Hz 200-250V	10/40	• 326.3243
32A 3P+⊕	9h 50/60Hz 380-415V	10/40	• 326.3248
	4h 50/60Hz 100-130V	10/40	• 326.3241
	9h 50/60Hz 200-250V	10/40	• 326.3244
3P+N+⊕	6h 50/60Hz 380-415V	10/40	• 326.3246
	3h 50-60Hz 380/440V	10/40	• 326.32464
	4h 50/60Hz 100-130V	10/40	• 326.3242
3P+N+⊕	9h 50/60Hz 208-250V	10/40	• 326.3245
	6h 50/60Hz 346-415V	10/40	• 326.3247

326.



	IP67	A	L	ØG	Ø Min.
16A	2P+⊕	78	120	73	8
	3P+⊕	86	125	81	8
	3P+N+⊕	106	130	88	10
32A	2P+⊕	106	150	93	10
	3P+⊕	106	150	93	10
	3P+N+⊕	107	155	101	14

330. SOCKETS - IP44



IEC309 Series

Reference standards: IEC 60309-1 and IEC 60309-2

< 50V

Straight						
Description		Colour	Pack qty.	Cat. no.		
2P	-h 50/60Hz 20-25V	■	10/100	• 330.1605		
	12h 50/60Hz 40-50V	□	10/100	• 330.1606		
	10h d.c. 20-25/40-50V	□	10/100	• 330.1607		
16A 3P	12h 50/60Hz 40-50V	□	10/100	• 330.1608		
	-h 50/60Hz 20-25V	■	10/100	• 330.1609		
	-h 50/60Hz 20-25V	■	10/100	• 330.3205		
2P	12h 50/60Hz 40-50V	□	10/100	• 330.3206		
	10h d.c. 20-25/40-50V	□	10/100	• 330.3207		
	12h 50/60Hz 40-50V	□	10/100	• 330.3208		
32A 3P	-h 50/60Hz 20-25V	■	10/100	• 330.3209		

335. SOCKETS - IP67

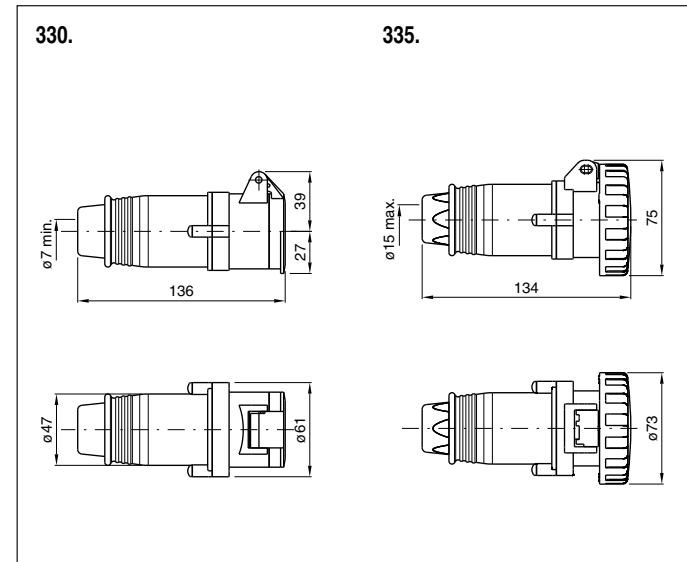


IEC309 Series

Reference standards: IEC 60309-1 and IEC 60309-2

< 50V

Straight						
Description		Colour	Pack qty.	Cat. no.		
2P	-h 50/60Hz 20-25V	■	10/100	• 335.1605		
	12h 50/60Hz 40-50V	□	10/100	• 335.1606		
	10h d.c. 20-25/40-50V	□	10/100	• 335.1607		
16A 3P	12h 50/60Hz 40-50V	□	10/100	• 335.1608		
	-h 50/60Hz 20-25V	■	10/100	• 335.1609		
	-h 50/60Hz 20-25V	■	10/50	• 335.3205		
2P	12h 50/60Hz 40-50V	□	10/50	• 335.3206		
	10h d.c. 20-25/40-50V	□	10/50	• 335.3207		
	12h 50/60Hz 40-50V	□	10/50	• 335.3208		
32A 3P	-h 50/60Hz 20-25V	■	10/50	• 335.3209		



PANEL MOUNTING SOCKETS

400. INTERLOCKED SWITCHED SOCKET OUTLETS - IP44



OMNIA Series

Reference standards: IEC 60309-1 and IEC 60309-2
- Without fuse carrier, flange: 136x125 mm

> 50V

Description		Colour	Pack qty.	Cat. no.
2P+⊕	4h 50/60Hz 100-130V	■	6	• 400.1670
	6h 50/60Hz 200-250V	■	6	• 400.1683
	9h 50/60Hz 380-415V	■	6	• 400.1678
16A 3P+⊕	4h 50/60Hz 100-130V	■	6	• 400.1672
	9h 50/60Hz 200-250V	■	6	• 400.1674
	6h 50/60Hz 380-415V	■	6	• 400.1686
3P+N+⊕	3h 50-60Hz 380/440V	■	6	• 400.16864
	4h 50/60Hz 100-130V	■	6	• 400.1679
	9h 50/60Hz 208-250V	■	6	• 400.1675
2P+⊕	6h 50/60Hz 346-415V	■	6	• 400.1687
	4h 50/60Hz 100-130V	■	6	• 400.3270
	6h 50/60Hz 200-250V	■	6	• 400.3283
9A 3P+⊕	9h 50/60Hz 380-415V	■	6	• 400.3278
	4h 50/60Hz 100-130V	■	6	• 400.3272
	9h 50/60Hz 200-250V	■	6	• 400.3274
32A 3P+⊕	6h 50/60Hz 380-415V	■	6	• 400.3286
	3h 50-60Hz 380/440V	■	6	• 400.32864
	4h 50/60Hz 100-130V	■	6	• 400.3279
3P+N+⊕	9h 50/60Hz 208-250V	■	6	• 400.3275
	6h 50/60Hz 346-415V	■	6	• 400.3287

< 50V

Description		Colour	Pack qty.	Cat. no.
16A 2P	-h 50/60Hz 20-25V (*)	■	6	400.2416
	-h 50/60Hz 20-25V	■	6	• 400.2420
	12h 50/60Hz 40-50V	□	6	• 400.2421
32A 2P	-h 50/60Hz 20-25V	■	6	• 400.2620
	12h 50/60Hz 40-50V	□	6	• 400.2621

(*) With transformer - 220/24V - 150VA - SELV

401. INTERLOCKED SWITCHED SOCKET OUTLETS - IP44



OMNIA Series

Reference standards: IEC 60309-1 and IEC 60309-2
- With fuse carrier (10.3x38)
- Flange: 136x125 mm

> 50V

Description		Colour	Pack qty.	Cat. no.
2P+⊕	4h 50/60Hz 100-130V	■	6	• 401.1670
	6h 50/60Hz 200-250V	■	6	• 401.1683
	9h 50/60Hz 380-415V	■	6	• 401.1678
16A 3P+⊕	4h 50/60Hz 100-130V	■	6	• 401.1672
	9h 50/60Hz 200-250V	■	6	• 401.1674
	6h 50/60Hz 380-415V	■	6	• 401.1686
3P+N+⊕	3h 50-60Hz 380/440V	■	6	• 401.16864
	4h 50/60Hz 100-130V	■	6	• 401.1679
	9h 50/60Hz 208-250V	■	6	• 401.1675
2P+⊕	6h 50/60Hz 346-415V	■	6	• 401.1687
	4h 50/60Hz 100-130V	■	6	• 401.3270
	6h 50/60Hz 200-250V	■	6	• 401.3283
9A 3P+⊕	9h 50/60Hz 380-415V	■	6	• 401.3278
	4h 50/60Hz 100-130V	■	6	• 401.3272
	9h 50/60Hz 200-250V	■	6	• 401.3274
32A 3P+⊕	6h 50/60Hz 380-415V	■	6	• 401.3286
	3h 50-60Hz 380/440V	■	6	• 401.32864
	4h 50/60Hz 100-130V	■	6	• 401.3279
3P+N+⊕	9h 50/60Hz 208-250V	■	6	• 401.3275
	6h 50/60Hz 346-415V	■	6	• 401.3287

405. INTERLOCKED SWITCHED SOCKET OUTLETS - IP67



OMNIA Series

Reference standards: IEC 60309-1 and IEC 60309-2
- Without fuse carrier, flange: 136x125 mm

> 50V

Description		Colour	Pack qty.	Cat. no.
2P+⊕	4h 50/60Hz 100-130V	■	6	• 405.1670
	6h 50/60Hz 200-250V	■	6	• 405.1683
	9h 50/60Hz 380-415V	■	6	• 405.1678
16A 3P+⊕	4h 50/60Hz 100-130V	■	6	• 405.1672
	9h 50/60Hz 200-250V	■	6	• 405.1674
	6h 50/60Hz 380-415V	■	6	• 405.1686
3P+N+⊕	3h 50-60Hz 380/440V	■	6	• 405.16864
	4h 50/60Hz 100-130V	■	6	• 405.1679
	9h 50/60Hz 208-250V	■	6	• 405.1675
2P+⊕	6h 50/60Hz 346-415V	■	6	• 405.1687
	4h 50/60Hz 100-130V	■	6	• 405.3270
	6h 50/60Hz 200-250V	■	6	• 405.3283
9A 3P+⊕	9h 50/60Hz 380-415V	■	6	• 405.3278
	4h 50/60Hz 100-130V	■	6	• 405.3272
	9h 50/60Hz 200-250V	■	6	• 405.3274
32A 3P+⊕	6h 50/60Hz 380-415V	■	6	• 405.3286
	3h 50-60Hz 380/440V	■	6	• 405.32864
	4h 50/60Hz 100-130V	■	6	• 405.3279
3P+N+⊕	9h 50/60Hz 208-250V	■	6	• 405.3275
	6h 50/60Hz 346-415V	■	6	• 405.3287

> 50V

Description		Colour	Pack qty.	Cat. no.
2P+⊕	4h 50/60Hz 100-130V	■	1	• 405.6370
	6h 50/60Hz 200-250V	■	1	• 405.6383
	9h 50/60Hz 380-415V	■	1	• 405.6378
63A 3P+⊕	4h 50/60Hz 100-130V	■	1	• 405.6372
	9h 50/60Hz 200-250V	■	1	• 405.6374
	6h 50/60Hz 380-415V	■	1	• 405.6386
3P+N+⊕	4h 50/60Hz 100-130V	■	1	• 405.6379
	9h 50/60Hz 208-250V	■	1	• 405.6375
	6h 50/60Hz 346-415V	■	1	• 405.6387

< 50V

Description		Colour	Pack qty.	Cat. no.
16A 2P	-h 50/60Hz 20-25V (*)	■	6	405.2416
	-h 50/60Hz 20-25V	■	6	• 405.2420
	12h 50/60Hz 40-50V	□	6	• 405.2421
32A 2P	-h 50/60Hz 20-25V	■	6	• 405.2620
	12h 50/60Hz 40-50V	□	6	• 405.2621

(*) With transformer - 220/24V - 150VA - SELV

406. INTERLOCKED SWITCHED SOCKET OUTLETS - IP67 OMNIA Series

Reference standards: IEC 60309-1 and IEC 60309-2
 - With fuse carrier
 - flange: 136x125 mm (10.3x38)



Fuse

> 50V

Description	Colour	Pack qty.	Cat. no.
2P+⊕	4h 50/60Hz 100-130V	6	• 406.1670
	6h 50/60Hz 200-250V	6	• 406.1683
	9h 50/60Hz 380-415V	6	• 406.1678
16A 3P+⊕	4h 50/60Hz 100-130V	6	• 406.1672
	9h 50/60Hz 200-250V	6	• 406.1674
	6h 50/60Hz 380-415V	6	• 406.1686
3P+N+⊕	3h 50-60Hz 380/440V	6	• 406.16864
	4h 50/60Hz 100-130V	6	• 406.1679
	9h 50/60Hz 208-250V	6	• 406.1675
6h 50/60Hz 346-415V	6	• 406.1687	
	4h 50/60Hz 100-130V	6	• 406.3270
	6h 50/60Hz 200-250V	6	• 406.3283
9h 50/60Hz 380-415V	6	• 406.3278	
	4h 50/60Hz 100-130V	6	• 406.3272
	9h 50/60Hz 200-250V	6	• 406.3274
32A 3P+⊕	6h 50/60Hz 380-415V	6	• 406.3286
	3h 50-60Hz 380/440V	6	• 406.32864
	4h 50/60Hz 100-130V	6	• 406.3279
3P+N+⊕	9h 50/60Hz 208-250V	6	• 406.3275
	6h 50/60Hz 346-415V	6	• 406.3287

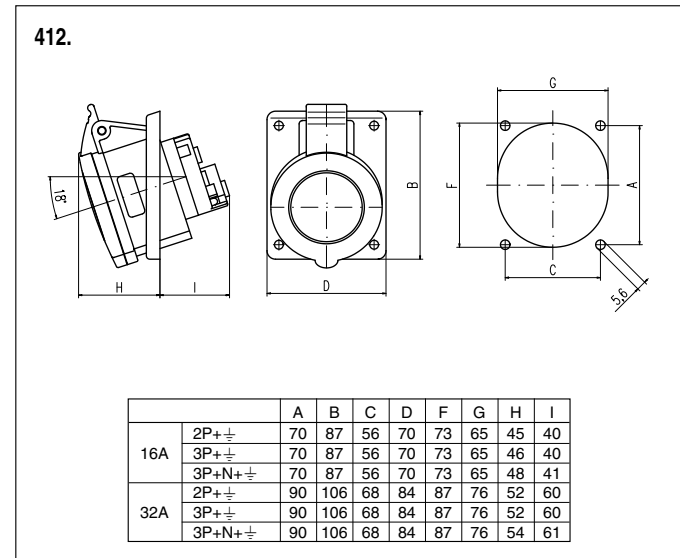
412. PANEL MOUNTING SOCKET OUTLETS - IP44 EUREKA Series

Reference standards: IEC 60309-1 and IEC 60309-2
 - Flange: 70x87 mm (16A)
 84x106 mm (32A)



Angled

Description	Colour	Pack qty.	Cat. no.
2P+⊕	4h 50/60Hz 100-130V	10/100	• 412.1660
	6h 50/60Hz 200-250V	10/100	• 412.1663
	6h 50/60Hz 200-250V	50	• 412.1663-SF
16A 3P+⊕	9h 50/60Hz 380-415V	10/100	• 412.1668
	4h 50/60Hz 100-130V	10/100	• 412.1661
	9h 50/60Hz 200-250V	10/100	• 412.1664
6h 50/60Hz 380-415V	6	• 412.1666	
	6h 50/60Hz 380-415V	50	• 412.1666-SF
	3h 50-60Hz 380/440V	10/100	• 412.16664
4h 50/60Hz 100-130V	10/100	• 412.1662	
	9h 50/60Hz 208-250V	10/100	• 412.1665
	6h 50/60Hz 346-415V	10/100	• 412.1667
6h 50/60Hz 346-415V	50	• 412.1667-SF	
	4h 50/60Hz 100-130V	10/50	• 412.3260
	2P+⊕	6h 50/60Hz 200-250V	10/50
9h 50/60Hz 380-415V	10/50	• 412.3268	
	4h 50/60Hz 100-130V	10/50	• 412.3261
	9h 50/60Hz 200-250V	10/50	• 412.3264
32A 3P+⊕	6h 50/60Hz 380-415V	10/50	• 412.3266
	3h 50-60Hz 380/440V	10/50	• 412.32664
	4h 50/60Hz 100-130V	10/50	• 412.3262
3P+N+⊕	9h 50/60Hz 208-250V	10/50	• 412.3265
	6h 50/60Hz 346-415V	10/50	• 412.3267



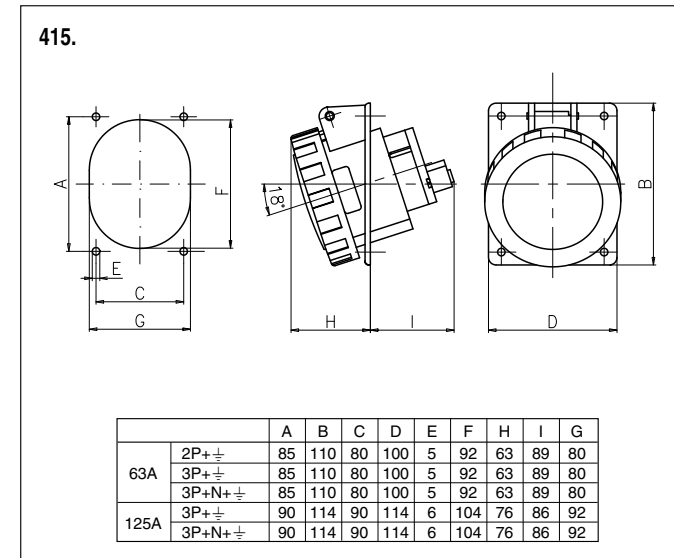
415. PANEL MOUNTING SOCKET OUTLETS - IP67 IEC309 Series

Reference standards: IEC 60309-1 and IEC 60309-2
 - Flange: 110x110 mm (63A)
 114x114 mm (125A)



Angled

Description	Colour	Pack qty.	Cat. no.
2P+⊕	4h 50/60Hz 100-130V	6/30	• 415.6360
	6h 50/60Hz 200-250V	6/30	• 415.6363
	9h 50/60Hz 380-415V	6/30	• 415.6368
63A 3P+⊕	4h 50/60Hz 100-130V	6/30	• 415.6361
	9h 50/60Hz 200-250V	6/30	• 415.6364
	6h 50/60Hz 380-415V	6/30	• 415.6366
3P+N+⊕	4h 50/60Hz 100-130V	6/30	• 415.6362
	9h 50/60Hz 208-250V	6/30	• 415.6365
	6h 50/60Hz 346-415V	6/30	• 415.6367
2P+⊕	6h 50/60Hz 200-250V	1/10	• 415.12563
	4h 50/60Hz 100-130V	1/10	• 415.12561
	3P+⊕	9h 50/60Hz 200-250V	1/10
125A	6h 50/60Hz 380-415V	1/10	• 415.12566
	4h 50/60Hz 100-130V	1/10	• 415.12562
	3P+N+⊕	9h 50/60Hz 208-250V	1/10
6h 50/60Hz 346-415V	1/10	• 415.12567	



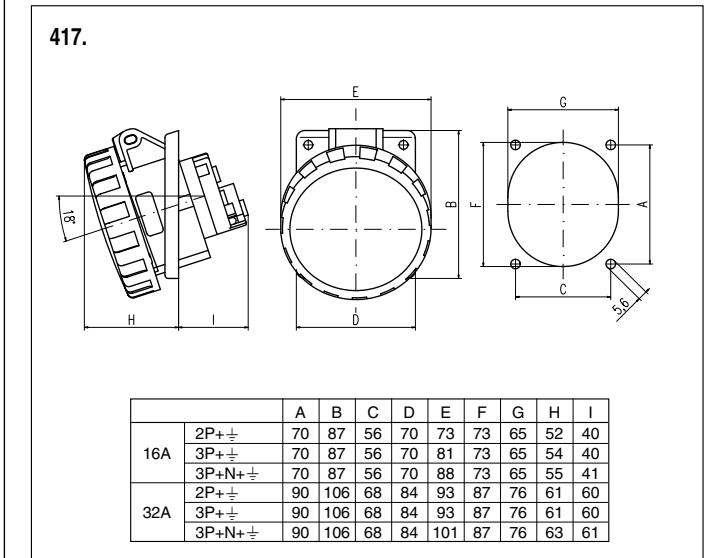
417. PANEL MOUNTING SOCKET OUTLETS - IP67 EUREKA Series

Reference standards: IEC 60309-1 and IEC 60309-2
 - Flange: 70x87 mm (16A)
 84x106 mm (32A)



Angled

Description	Colour	Pack qty.	Cat. no.
2P+⊕	4h 50/60Hz 100-130V	10/100	• 417.1660
	6h 50/60Hz 200-250V	10/100	• 417.1663
	6h 50/60Hz 200-250V	50	• 417.1663-SF
16A 3P+⊕	9h 50/60Hz 380-415V	10/100	• 417.1668
	4h 50/60Hz 100-130V	10/100	• 417.1661
	9h 50/60Hz 200-250V	10/100	• 417.1664
6h 50/60Hz 380-415V	6	• 417.1666	
	6h 50/60Hz 380-415V	50	• 417.1666-SF
	3h 50-60Hz 380/440V	10/100	• 417.16664
4h 50/60Hz 100-130V	10/100	• 417.1662	
	9h 50/60Hz 208-250V	10/100	• 417.1665
	6h 50/60Hz 346-415V	10/100	• 417.1667
6h 50/60Hz 346-415V	50	• 417.1667-SF	
	4h 50/60Hz 100-130V	10/50	• 417.3260
	2P+⊕	6h 50/60Hz 200-250V	10/50
9h 50/60Hz 380-415V	10/50	• 417.3268	
	4h 50/60Hz 100-130V	10/50	• 417.3261
	9h 50/60Hz 200-250V	10/50	• 417.3264
32A 3P+⊕	6h 50/60Hz 380-415V	10/50	• 417.3266
	3h 50-60Hz 380/440V	10/50	• 417.32664
	4h 50/60Hz 100-130V	10/50	• 417.3262
3P+N+⊕	9h 50/60Hz 208-250V	10/50	• 417.3265
	6h 50/60Hz 346-415V	10/50	• 417.3267



422. PANEL MOUNTING SOCKET OUTLETS - IP44 EUREKA Series

Reference standards: IEC 60309-1 and IEC 60309-2
- Flange: 75x75 mm or 62x62 mm



Straight 75

Description	Colour	Pack qty.	Cat. no.
2P+⊕	4h 50/60Hz 100-130V	10/100	• 422.1660
	6h 50/60Hz 200-250V	10/100	• 422.1663
	9h 50/60Hz 380-415V	10/100	• 422.1668
16A	4h 50/60Hz 100-130V	10/100	• 422.1661
	9h 50/60Hz 200-250V	10/100	• 422.1664
	6h 50/60Hz 380-415V	10/100	• 422.1666
3P+⊕	3h 50-60Hz 380/440V	10/100	• 422.16664
	4h 50/60Hz 100-130V	10/100	• 422.1662
	9h 50/60Hz 208-250V	10/100	• 422.1665
3P+N+⊕	6h 50/60Hz 346-415V	10/100	• 422.1667
	4h 50/60Hz 100-130V	10/50	• 422.3260
	6h 50/60Hz 200-250V	10/50	• 422.3263
32A	9h 50/60Hz 380-415V	10/50	• 422.3268
	4h 50/60Hz 100-130V	10/50	• 422.3261
	9h 50/60Hz 200-250V	10/50	• 422.3264
3P+⊕	6h 50/60Hz 380-415V	10/50	• 422.3266
	3h 50-60Hz 380/440V	10/50	• 422.32664
	4h 50/60Hz 100-130V	10/50	• 422.3262
3P+N+⊕	9h 50/60Hz 208-250V	10/50	• 422.3265
	6h 50/60Hz 346-415V	10/50	• 422.3267

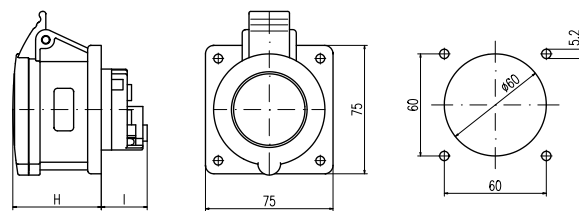


Straight 62 (*)

Description	Colour	Pack qty.	Cat. no.
16A 2P+⊕	4h 50/60Hz 100-130V	10/100	422.1660/R
	6h 50/60Hz 200-250V	10/100	422.1663/R
	9h 50/60Hz 380-415V	10/100	422.1668/R

(*) Flange 62x62 mm (not standard SCAME).

422.



		I	H
16A	2P+⊕	27	51
	3P+⊕	27	51
	3P+N+⊕	27	52
32A	2P+⊕	42	62
	3P+⊕	42	62
	3P+N+⊕	42	63

427. PANEL MOUNTING SOCKET OUTLETS - IP67 EUREKA Series

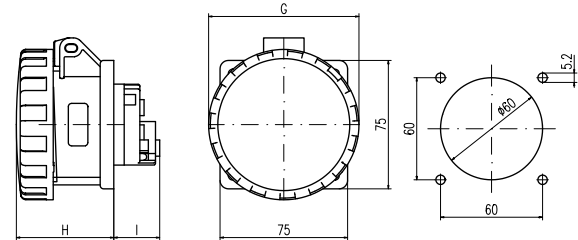
Reference standards: IEC 60309-1 and IEC 60309-2
- Flange: 75x75 mm



Straight

Description	Colour	Pack qty.	Cat. no.
2P+⊕	4h 50/60Hz 100-130V	10/100	• 427.1660
	6h 50/60Hz 200-250V	10/100	• 427.1663
	9h 50/60Hz 380-415V	10/100	• 427.1668
16A	4h 50/60Hz 100-130V	10/100	• 427.1661
	9h 50/60Hz 200-250V	10/100	• 427.1664
	6h 50/60Hz 380-415V	10/100	• 427.1666
3P+⊕	3h 50-60Hz 380/440V	10/100	• 427.16664
	4h 50/60Hz 100-130V	10/100	• 427.1662
	9h 50/60Hz 208-250V	10/100	• 427.1665
3P+N+⊕	6h 50/60Hz 346-415V	10/100	• 427.1667
	4h 50/60Hz 100-130V	10/50	• 427.3260
	6h 50/60Hz 200-250V	10/50	• 427.3263
32A	9h 50/60Hz 380-415V	10/50	• 427.3268
	4h 50/60Hz 100-130V	10/50	• 427.3261
	9h 50/60Hz 200-250V	10/50	• 427.3264
3P+⊕	6h 50/60Hz 380-415V	10/50	• 427.3266
	3h 50-60Hz 380/440V	10/50	• 427.32664
	4h 50/60Hz 100-130V	10/50	• 427.3262
3P+N+⊕	9h 50/60Hz 208-250V	10/50	• 427.3265
	6h 50/60Hz 346-415V	10/50	• 427.3267

427.



		G	H	I
16A	2P+⊕	73	56	27
	3P+⊕	81	57	27
	3P+N+⊕	88	58	27
32A	2P+⊕	93	68	42
	3P+⊕	93	68	42
	3P+N+⊕	101	69	42

430. PANEL MOUNTING SOCKET OUTLETS - IP44 IEC309 Series

Reference standards: IEC 60309-1 and IEC 60309-2
- Flange: 70x87 mm (Angled) / 55x55 mm (Straight)



Angled

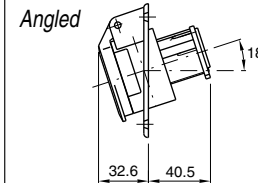
Description	Colour	Pack qty.	Cat. no.
2P	-h 50/60Hz 20-25V	10/100	• 430.1615
	12h 50/60Hz 40-50V	10/100	• 430.1616
	10h d.c. 20-25/40-50V	10/100	• 430.1617
16A	12h 50/60Hz 40-50V	10/100	• 430.1618
	-h 50/60Hz 20-25V	10/100	• 430.1619
	-h 50/60Hz 20-25V	10/100	• 430.3215
32A	2P 12h 50/60Hz 40-50V	10/100	• 430.3216
	10h d.c. 20-25/40-50V	10/100	• 430.3217
	3P 12h 50/60Hz 40-50V	10/100	• 430.3218
	-h 50/60Hz 20-25V	10/100	• 430.3219



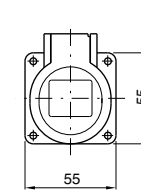
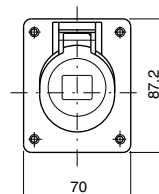
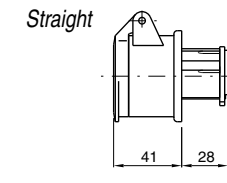
Straight

Description	Colour	Pack qty.	Cat. no.
2P	-h 50/60Hz 20-25V	10/100	• 430.1615/R
	12h 50/60Hz 40-50V	10/100	• 430.1616/R
	10h d.c. 20-25/40-50V	10/100	• 430.1617/R
16A	12h 50/60Hz 40-50V	10/100	• 430.1618/R
	-h 50/60Hz 20-25V	10/100	• 430.1619/R
	-h 50/60Hz 20-25V	10/100	• 430.3215/R
32A	2P 12h 50/60Hz 40-50V	10/100	• 430.3216/R
	10h d.c. 20-25/40-50V	10/100	• 430.3217/R
	3P 12h 50/60Hz 40-50V	10/100	• 430.3218/R
	-h 50/60Hz 20-25V	10/100	• 430.3219/R

430.



430.



435. PANEL MOUNTING SOCKET OUTLETS - IP67 IEC309 Series

Reference standards: IEC 60309-1 and IEC 60309-2
- Flange: 70x87 mm (Angled) / 55x55 mm (Straight)



Angled

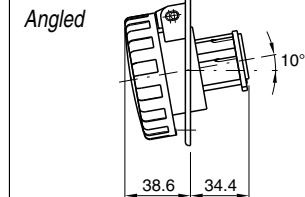
Description	Colour	Pack qty.	Cat. no.
2P	-h 50/60Hz 20-25V	10/100	• 435.1615
	12h 50/60Hz 40-50V	10/100	• 435.1616
	10h d.c. 20-25/40-50V	10/100	• 435.1617
16A	12h 50/60Hz 40-50V	10/100	• 435.1618
	-h 50/60Hz 20-25V	10/100	• 435.1619
	-h 50/60Hz 20-25V	10/100	• 435.3215
32A	2P 12h 50/60Hz 40-50V	10/100	• 435.3216
	10h d.c. 20-25/40-50V	10/100	• 435.3217
	3P 12h 50/60Hz 40-50V	10/100	• 435.3218
	-h 50/60Hz 20-25V	10/100	• 435.3219



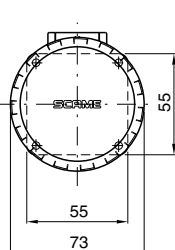
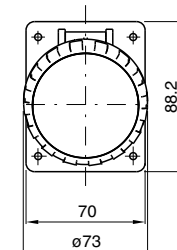
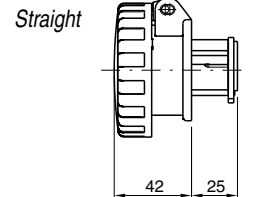
Straight

Description	Colour	Pack qty.	Cat. no.
2P	-h 50/60Hz 20-25V	10/100	• 435.1615/R
	12h 50/60Hz 40-50V	10/100	• 435.1616/R
	10h d.c. 20-25/40-50V	10/100	• 435.1617/R
16A	12h 50/60Hz 40-50V	10/100	• 435.1618/R
	-h 50/60Hz 20-25V	10/100	• 435.1619/R
	-h 50/60Hz 20-25V	10/100	• 435.3215/R
32A	2P 12h 50/60Hz 40-50V	10/100	• 435.3216/R
	10h d.c. 20-25/40-50V	10/100	• 435.3217/R
	3P 12h 50/60Hz 40-50V	10/100	• 435.3218/R
	-h 50/60Hz 20-25V	10/100	• 435.3219/R

435.



435.



452. PANEL MOUNTING SOCKET OUTLETS - IP44 EUREKA Series

Reference standards: IEC 60309-1 and IEC 60309-2
- Flange: 70x87 mm



90° angled

Description	Colour	Pack qty.	Cat. no.
2P+⊥	4h 50/60Hz 100-130V	10/100	• 452.1660
	6h 50/60Hz 200-250V	10/100	• 452.1663
	9h 50/60Hz 380-415V	10/100	• 452.1668
16A 3P+⊥	4h 50/60Hz 100-130V	10/100	• 452.1661
	9h 50/60Hz 200-250V	10/100	• 452.1664
	6h 50/60Hz 380-415V	10/100	• 452.1666
3P+N+⊥	4h 50/60Hz 100-130V	10/100	• 452.1662
	9h 50/60Hz 208-250V	10/100	• 452.1665
	6h 50/60Hz 346-415V	10/100	• 452.1667
2P+⊥	4h 50/60Hz 100-130V	10/100	• 452.3260
	6h 50/60Hz 200-250V	10/100	• 452.3263
	9h 50/60Hz 380-415V	10/100	• 452.3268
32A 3P+⊥	4h 50/60Hz 100-130V	10/100	• 452.3261
	9h 50/60Hz 200-250V	10/100	• 452.3264
	6h 50/60Hz 380-415V	10/100	• 452.3266
3h 50/60Hz 380-440V	10/100	• 452.32664	

457. PANEL MOUNTING SOCKET OUTLETS - IP67 EUREKA Series

Reference standards: IEC 60309-1 and IEC 60309-2
- Flange: 70x87 mm



90° angled

Description	Colour	Pack qty.	Cat. no.
2P+⊥	4h 50/60Hz 100-130V	10/100	• 457.1660
	6h 50/60Hz 200-250V	10/100	• 457.1663
	9h 50/60Hz 380-415V	10/100	• 457.1668
16A 3P+⊥	4h 50/60Hz 100-130V	10/100	• 457.1661
	9h 50/60Hz 200-250V	10/100	• 457.1664
	6h 50/60Hz 380-415V	10/100	• 457.1666
3P+N+⊥	4h 50/60Hz 100-130V	10/100	• 457.1662
	9h 50/60Hz 208-250V	10/100	• 457.1665
	6h 50/60Hz 346-415V	10/100	• 457.1667
2P+⊥	4h 50/60Hz 100-130V	10/100	• 457.3260
	6h 50/60Hz 200-250V	10/100	• 457.3263
	9h 50/60Hz 380-415V	10/100	• 457.3268
32A 3P+⊥	4h 50/60Hz 100-130V	10/100	• 457.3261
	9h 50/60Hz 200-250V	10/100	• 457.3264
	6h 50/60Hz 380-415V	10/100	• 457.3266
3h 50/60Hz 380-440V	10/100	• 457.32664	

	A	B	C	D	E	F	G	H	I	
16A	2P+⊥	70	87	56	70	5,2	73	65	109	149
	3P+⊥	70	87	56	70	5,2	73	65	116	150
	3P+N+⊥	70	87	56	70	5,2	73	65	125	151
32A	2P+⊥	70	87	56	70	5,2	87	76	127	161
	3P+⊥	70	87	56	70	5,2	87	76	127	161
	3P+N+⊥	70	87	56	70	5,2	87	76	137	163

	A	B	C	D	E	F	G	H	I	L	
16A	2P+⊥	70	87	56	70	5,2	73	65	98	155	73
	3P+⊥	70	87	56	70	5,2	73	65	107	156	81
	3P+N+⊥	70	87	56	70	5,2	73	65	117	157	88
32A	2P+⊥	70	87	56	70	5,2	87	76	123	168	93
	3P+⊥	70	87	56	70	5,2	87	76	123	168	93
	3P+N+⊥	70	87	56	70	5,2	87	76	127	169	101

SURFACE MOUNTING SOCKETS

500. INTERLOCKED SWITCHED SOCKET OUTLETS - IP44 OMNIA Series

Reference standards: IEC 60309-1 and IEC 60309-2
- Flange: 70x87 mm



> 50V

Description	Colour	Pack qty.	Cat. no.
2P+⊥	4h 50/60Hz 100-130V	6	• 500.1670
	6h 50/60Hz 200-250V	6	• 500.1683
	9h 50/60Hz 380-415V	6	• 500.1678
16A 3P+⊥	4h 50/60Hz 100-130V	6	• 500.1672
	9h 50/60Hz 200-250V	6	• 500.1674
	6h 50/60Hz 380-415V	6	• 500.1686
3h 50-60Hz 380/440V	6	• 500.16864	
	4h 50/60Hz 100-130V	6	• 500.1679
	9h 50/60Hz 208-250V	6	• 500.1675
3P+N+⊥	6h 50/60Hz 346-415V	6	• 500.1687
	4h 50/60Hz 100-130V	6	• 500.3270
	6h 50/60Hz 200-250V	6	• 500.3283
2P+⊥	9h 50/60Hz 380-415V	6	• 500.3278
	4h 50/60Hz 100-130V	6	• 500.3272
	9h 50/60Hz 200-250V	6	• 500.3274
32A 3P+⊥	6h 50/60Hz 380-415V	6	• 500.3286
	3h 50-60Hz 380/440V	6	• 500.32864
	4h 50/60Hz 100-130V	6	• 500.3279
3P+N+⊥	9h 50/60Hz 208-250V	6	• 500.3275
	6h 50/60Hz 346-415V	6	• 500.3287

NOTE: also available with metric cable inlet

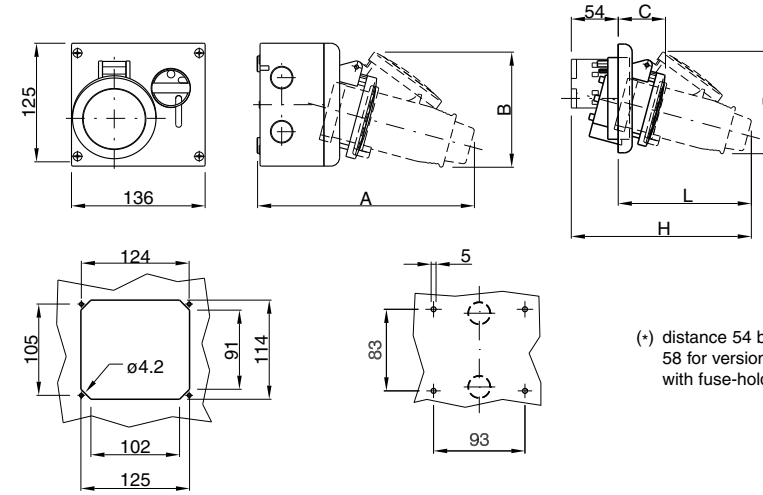


< 50V

Description	Colour	Pack qty.	Cat. no.
16A 2P	-h 50/60Hz 20-25V	6	• 500.2420
	12h 50/60Hz 40-50V	6	• 500.2421
32A 2P	-h 50/60Hz 20-25V	6	• 500.2620
	12h 50/60Hz 40-50V	6	• 500.2620

NOTE: also available with metric cable inlet

400. / 401. / 500. / 501.



(*) distance 54 becomes 58 for versions with fuse-holder base.

		IP44		A	B	C	D	L	H
Without fuse-holder base	16A	2P+⊥	198	95	51	95	130	184	
		3P+⊥	205	107	53	107	137	190	
	32A	2P+⊥	226	118	54	118	153	207	
		3P+⊥	229	121	63	121	161	215	
With fuse-holder base	16A	2P+⊥	236	127	64	127	169	223	
		3P+⊥	213	95	66	95	145	203	
	32A	2P+⊥	220	107	68	107	152	209	
		3P+⊥	241	118	69	118	168	226	

Knockouts	PG16	PG21
RH side	2	
LH side	2	
TOP side	2	1
BTM. side		1
REAR side	2	

505. INTERLOCKED SWITCHED SOCKET OUTLETS - IP67

OMNIA Series
Reference standards: IEC 60309-1 and IEC 60309-2
- Without fuse carrier



< 50V					
Description	Colour	Pack qty.	Cat. no.		
2P+⊕	4h 50/60Hz 100-130V	6	• 505.1670		
	6h 50/60Hz 200-250V	6	• 505.1683		
	9h 50/60Hz 380-415V	6	• 505.1678		
16A 3P+⊕	4h 50/60Hz 100-130V	6	• 505.1672		
	9h 50/60Hz 200-250V	6	• 505.1674		
	6h 50/60Hz 380-415V	6	• 505.1686		
3P+N+⊕	3h 50-60Hz 380/440V	6	• 505.16864		
	4h 50/60Hz 100-130V	6	• 505.1679		
	9h 50/60Hz 208-250V	6	• 505.1675		
3P+N+⊕	6h 50/60Hz 346-415V	6	• 505.1687		
	4h 50/60Hz 100-130V	6	• 505.3270		
	6h 50/60Hz 200-250V	6	• 505.3283		
2P+⊕	9h 50/60Hz 380-415V	6	• 505.3278		
	4h 50/60Hz 100-130V	6	• 505.3272		
	9h 50/60Hz 200-250V	6	• 505.3274		
32A 3P+⊕	6h 50/60Hz 380-415V	6	• 505.3286		
	3h 50-60Hz 380/440V	6	• 505.32864		
	4h 50/60Hz 100-130V	6	• 505.3279		
3P+N+⊕	9h 50/60Hz 208-250V	6	• 505.3275		
	6h 50/60Hz 346-415V	6	• 505.3287		

NOTE: also available with metric cable inlet

> 50V					
Description	Colour	Pack qty.	Cat. no.		
2P+⊕	4h 50/60Hz 100-130V	1	• 505.M6370		
	6h 50/60Hz 200-250V	1	• 505.M6383		
	9h 50/60Hz 380-415V	1	• 505.M6378		
63A 3P+⊕	4h 50/60Hz 100-130V	1	• 505.M6372		
	9h 50/60Hz 200-250V	1	• 505.M6374		
	6h 50/60Hz 380-415V	1	• 505.M6386		
3P+N+⊕	4h 50/60Hz 100-130V	1	• 505.M6379		
	9h 50/60Hz 208-250V	1	• 505.M6375		
	6h 50/60Hz 346-415V	1	• 505.M6387		

NOTE: these articles are only available with metric cable inlet



< 50V					
Description	Colour	Pack qty.	Cat. no.		
16A 2P	-h 50/60Hz 20-25V	6	• 505.2420		
	12h 50/60Hz 40-50V	6	• 505.2421		
32A 2P	-h 50/60Hz 20-25V	6	• 505.2620		
	12h 50/60Hz 40-50V	6	• 505.2620		

NOTE: also available with metric cable inlet

506. INTERLOCKED SWITCHED SOCKET OUTLETS - IP67

OMNIA Series
Reference standards: IEC 60309-1 and IEC 60309-2
- With fuse carrier (10.3x38)



Fuse					
< 50V					
Description	Colour	Pack qty.	Cat. no.		
2P+⊕	4h 50/60Hz 100-130V	6	• 506.1670		
	6h 50/60Hz 200-250V	6	• 506.1683		
	9h 50/60Hz 380-415V	6	• 506.1678		
16A 3P+⊕	4h 50/60Hz 100-130V	6	• 506.1672		
	9h 50/60Hz 200-250V	6	• 506.1674		
	6h 50/60Hz 380-415V	6	• 506.1686		
3P+N+⊕	3h 50-60Hz 380/440V	6	• 506.16864		
	4h 50/60Hz 100-130V	6	• 506.1679		
	9h 50/60Hz 208-250V	6	• 506.1675		
3P+N+⊕	6h 50/60Hz 346-415V	6	• 506.1687		
	4h 50/60Hz 100-130V	6	• 506.M3270#		
	6h 50/60Hz 200-250V	6	• 506.M3283#		
2P+⊕	9h 50/60Hz 380-415V	6	• 506.M3278#		
	4h 50/60Hz 100-130V	6	• 506.M3272#		
	9h 50/60Hz 200-250V	6	• 506.M3274#		
32A 3P+⊕	6h 50/60Hz 380-415V	6	• 506.M3286#		
	4h 50/60Hz 100-130V	6	• 506.M3279#		
	9h 50/60Hz 208-250V	6	• 506.M3275#		
3P+N+⊕	6h 50/60Hz 346-415V	6	• 506.M3287#		

NOTE: also available with metric cable inlet (#): these articles are only available with metric cable inlet and raised enclosure.

512. SURFACE MOUNTING SOCKET OUTLETS - IP44

EUREKA Series
Reference standards: IEC 60309-1 and IEC 60309-2



Angled box					
Description	Colour	Pack qty.	Cat. no.		
2P+⊕	4h 50/60Hz 100-130V	10/50	• 512.1650		
	6h 50/60Hz 200-250V	10/50	• 512.1653		
	9h 50/60Hz 380-415V	10/50	• 512.1658		
16A 3P+⊕	4h 50/60Hz 100-130V	10/50	• 512.1651		
	9h 50/60Hz 200-250V	10/50	• 512.1654		
	6h 50/60Hz 380-415V	10/50	• 512.1656		
3P+N+⊕	3h 50-60Hz 380/440V	10/50	• 512.16564		
	4h 50/60Hz 100-130V	10/50	• 512.1652		
	9h 50/60Hz 208-250V	10/50	• 512.1655		
3P+N+⊕	6h 50/60Hz 346-415V	10/50	• 512.1657		
	4h 50/60Hz 100-130V	10/40	• 512.3250		
	6h 50/60Hz 200-250V	10/40	• 512.3253		
2P+⊕	9h 50/60Hz 380-415V	10/40	• 512.3258		
	4h 50/60Hz 100-130V	10/40	• 512.3251		
	9h 50/60Hz 200-250V	10/40	• 512.3254		
32A 3P+⊕	6h 50/60Hz 380-415V	10/40	• 512.3256		
	3h 50-60Hz 380/440V	10/40	• 512.32564		
	4h 50/60Hz 100-130V	10/40	• 512.3252		
3P+N+⊕	9h 50/60Hz 208-250V	10/40	• 512.3255		
	6h 50/60Hz 346-415V	10/40	• 512.3257		

NOTE: also available with metric cable inlet

515. SURFACE MOUNTING SOCKET OUTLETS - IP67

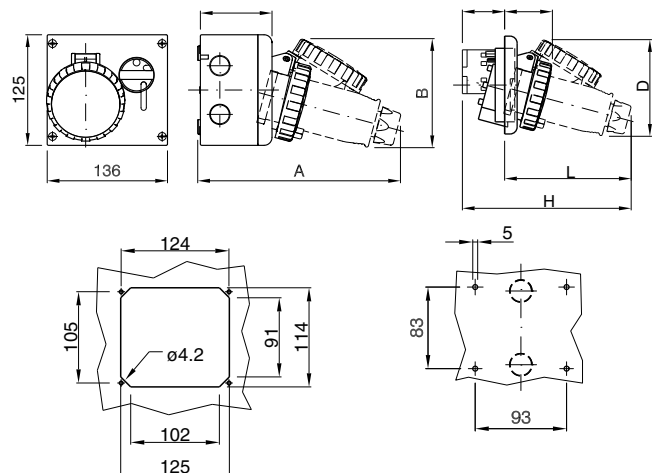
IEC309 Series
Reference standards: IEC 60309-1 and IEC 60309-2



Angled box					
Description	Colour	Pack qty.	Cat. no.		
2P+⊕	4h 50/60Hz 100-130V	6/24	• 515.6350		
	6h 50/60Hz 200-250V	6/24	• 515.6353		
	9h 50/60Hz 380-415V	6/24	• 515.6358		
63A 3P+⊕	4h 50/60Hz 100-130V	6/24	• 515.6351		
	9h 50/60Hz 200-250V	6/24	• 515.6354		
	6h 50/60Hz 380-415V	6/24	• 515.6356		
3P+N+⊕	4h 50/60Hz 100-130V	6/24	• 515.6352		
	9h 50/60Hz 208-250V	6/24	• 515.6355		
	6h 50/60Hz 346-415V	6/24	• 515.6357		
2P+⊕	4h 50/60Hz 100-130V	1/8	• 515.12553		
	6h 50/60Hz 200-250V	1/8	• 515.12551		
	9h 50/60Hz 380-415V	1/8	• 515.12554		
125A 3P+⊕	4h 50/60Hz 100-130V	1/8	• 515.12555		
	6h 50/60Hz 200-250V	1/8	• 515.12556		
	9h 50/60Hz 380-415V	1/8	• 515.12552		
3P+N+⊕	4h 50/60Hz 100-130V	1/8	• 515.12555		
	6h 50/60Hz 346-415V	1/8	• 515.12557		

NOTE: also available with metric threaded hole

405. / 406. / 505. / 506.



(*) distance 54 becomes 58 for versions with fuse-holder base.

Knockouts	PG16	PG21
RH side	2	
LH side	2	
TOP side	2	1
BTM. side		1
REAR side	2	

IP67		A	B	C	D	L	H
Without fuse-holder base	16A 2P+⊕	202	100	52	100	134	188
	3P+⊕	210	109	54	109	142	195
	3P+N+⊕	230	122	60	122	162	216
32A	2P+⊕	235	125	65	125	166	220
	3P+⊕	235	125	65	125	166	220
	3P+N+⊕	245	130	67	130	166	230
With fuse-holder base	16A 2P+⊕	217	100	67	100	149	207
	3P+⊕	225	109	69	109	157	214
	3P+N+⊕	245	122	75	122	177	235
32A	2P+⊕	250	125	80	125	181	239
	3P+⊕	250	125	80	125	181	239
	3P+N+⊕	260	130	82	130	181	249

517. SURFACE MOUNTING SOCKET OUTLETS - IP67



EUREKA Series

Reference standards: IEC 60309-1 and IEC 60309-2

				Angled box			
Description	Colour	Pack qty.	Cat. no.				
2P+±	4h 50/60Hz 100-130V	10/50	• 517.1650				
	6h 50/60Hz 200-250V	10/50	• 517.1653				
	9h 50/60Hz 380-415V	10/50	• 517.1658				
16A 3P+±	4h 50/60Hz 100-130V	10/50	• 517.1651				
	9h 50/60Hz 200-250V	10/50	• 517.1654				
	6h 50/60Hz 380-415V	10/50	• 517.1656				
3P+N+±	3h 50-60Hz 380/440V	10/50	• 517.16564				
	4h 50/60Hz 100-130V	10/40	• 517.1652				
	9h 50/60Hz 208-250V	10/40	• 517.1655				
2P+±	6h 50/60Hz 346-415V	10/40	• 517.1657				
	4h 50/60Hz 100-130V	10/40	• 517.3250				
	6h 50/60Hz 200-250V	10/40	• 517.3253				
32A 3P+±	9h 50/60Hz 380-415V	10/40	• 517.3258				
	4h 50/60Hz 100-130V	10/40	• 517.3251				
	9h 50/60Hz 200-250V	10/40	• 517.3254				
3P+N+±	6h 50/60Hz 380-415V	10/40	• 517.3256				
	3h 50-60Hz 380/440V	10/40	• 517.32564				
	4h 50/60Hz 100-130V	10/40	• 517.3252				
3P+N+±	9h 50/60Hz 208-250V	10/40	• 517.3255				
	6h 50/60Hz 346-415V	10/40	• 517.3257				

NOTE: also available with metric cable inlet

522. SURFACE MOUNTING SOCKET OUTLETS - IP44



EUREKA Series

Reference standards: IEC 60309-1 and IEC 60309-2

				Straight box			
Description	Colour	Pack qty.	Cat. no.				
2P+±	4h 50/60Hz 100-130V	10/50	• 522.1650				
	6h 50/60Hz 200-250V	10/50	• 522.1653				
	9h 50/60Hz 380-415V	10/50	• 522.1658				
16A 3P+±	4h 50/60Hz 100-130V	10/50	• 522.1651				
	9h 50/60Hz 200-250V	10/50	• 522.1654				
	6h 50/60Hz 380-415V	10/50	• 522.1656				
3P+N+±	3h 50-60Hz 380/440V	10/50	• 522.16564				
	4h 50/60Hz 100-130V	10/50	• 522.1652				
	9h 50/60Hz 208-250V	10/50	• 522.1655				
2P+±	6h 50/60Hz 346-415V	10/50	• 522.1657				
	4h 50/60Hz 100-130V	10/40	• 522.3250				
	6h 50/60Hz 200-250V	10/40	• 522.3253				
32A 3P+±	9h 50/60Hz 380-415V	10/40	• 522.3258				
	4h 50/60Hz 100-130V	10/40	• 522.3251				
	9h 50/60Hz 200-250V	10/40	• 522.3254				
3P+N+±	6h 50/60Hz 380-415V	10/40	• 522.3256				
	3h 50/60Hz 380-440V	10/40	• 522.32564				
	4h 50/60Hz 100-130V	10/40	• 522.3252				
3P+N+±	9h 50/60Hz 208-250V	10/40	• 522.3255				
	6h 50/60Hz 346-415V	10/40	• 522.3257				

NOTE: also available with metric cable inlet

527. SURFACE MOUNTING SOCKET OUTLETS - IP67



EUREKA Series

Reference standards: IEC 60309-1 and IEC 60309-2

				Straight box			
Description	Colour	Pack qty.	Cat. no.				
2P+±	4h 50/60Hz 100-130V	10/50	• 527.1650				
	6h 50/60Hz 200-250V	10/50	• 527.1653				
	9h 50/60Hz 380-415V	10/50	• 527.1658				
16A 3P+±	4h 50/60Hz 100-130V	10/50	• 527.1651				
	9h 50/60Hz 200-250V	10/50	• 527.1654				
	6h 50/60Hz 380-415V	10/50	• 527.1656				
3P+N+±	3h 50-60Hz 380/440V	10/50	• 527.16564				
	4h 50/60Hz 100-130V	10/50	• 527.1652				
	9h 50/60Hz 208-250V	10/50	• 527.1655				
2P+±	6h 50/60Hz 346-415V	10/50	• 527.1657				
	4h 50/60Hz 100-130V	10/40	• 527.3250				
	6h 50/60Hz 200-250V	10/40	• 527.3253				
32A 3P+±	9h 50/60Hz 380-415V	10/40	• 527.3258				
	4h 50/60Hz 100-130V	10/40	• 527.3251				
	9h 50/60Hz 200-250V	10/40	• 527.3254				
3P+N+±	6h 50/60Hz 380-415V	10/40	• 527.3256				
	3h 50-60Hz 380/440V	10/40	• 527.32564				
	4h 50/60Hz 100-130V	10/40	• 527.3252				
3P+N+±	9h 50/60Hz 208-250V	10/40	• 527.3255				
	6h 50/60Hz 346-415V	10/40	• 527.3257				

NOTE: also available with metric cable inlet

530. SURFACE MOUNTING SOCKET OUTLETS - IP44



IEC309 Series

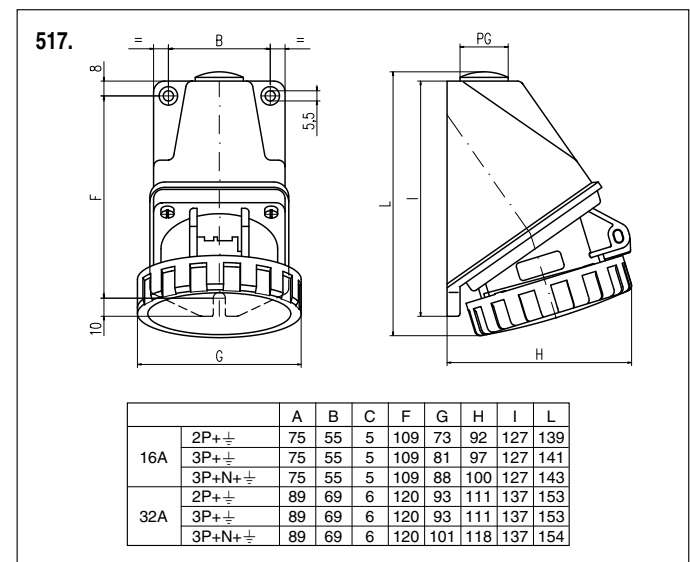
Reference standards: IEC 60309-1 and IEC 60309-2

				Angled box			
Description	Colour	Pack qty.	Cat. no.				
2P	-h 50/60Hz 20-25V	10/50	• 530.01610				
	12h 50/60Hz 40-50V	10/50	• 530.01611				
	10h d.c. 20-25/40-50V	10/50	• 530.01612				
16A 3P	12h 50/60Hz 40-50V	10/50	• 530.01613				
	-h 50/60Hz 20-25V	10/50	• 530.01614				
	-h 50/60Hz 20-25V	10/50	• 530.03210				
2P	12h 50/60Hz 40-50V	10/50	• 530.03211				
	10h d.c. 20-25/40-50V	10/50	• 530.03212				
	12h 50/60Hz 40-50V	10/50	• 530.03213				
3P	-h 50/60Hz 20-25V	10/50	• 530.03214				

NOTE: also available with metric cable inlet

				Straight box			
Description	Colour	Pack qty.	Cat. no.				
2P	-h 50/60Hz 20-25V	10/50	• 530.1610				
	12h 50/60Hz 40-50V	10/50	• 530.1611				
	10h d.c. 20-25/40-50V	10/50	• 530.1612				
16A 3P	12h 50/60Hz 40-50V	10/50	• 530.1613				
	-h 50/60Hz 20-25V	10/50	• 530.1614				
	-h 50/60Hz 20-25V	10/50	• 530.3210				
2P	12h 50/60Hz 40-50V	10/50	• 530.3211				
	10h d.c. 20-25/40-50V	10/50	• 530.3212				
	12h 50/60Hz 40-50V	10/50	• 530.3213				
3P	-h 50/60Hz 20-25V	10/50	• 530.3214				

NOTE: also available with metric cable inlet



535.
SURFACE MOUNTING
SOCKET OUTLETS - IP67



IEC309 Series

Reference standards: IEC 60309-1 and IEC 60309-2



Angled box

<50V

Description	Colour	Pack qty.	Cat. no.
16A	2P	-h 50/60Hz 20-25V	10/50 • 535.01610
	12h 50/60Hz 40-50V	10/50 • 535.01611	
	10h d.c. 20-25/40-50V	10/50 • 535.01612	
32A	3P	12h 50/60Hz 40-50V	10/50 • 535.01613
	-h 50/60Hz 20-25V	10/50 • 535.01614	
	-h 50/60Hz 20-25V	10/50 • 535.03210	
32A	2P	12h 50/60Hz 40-50V	10/50 • 535.03211
	10h d.c. 20-25/40-50V	10/50 • 535.03212	
	3P	12h 50/60Hz 40-50V	10/50 • 535.03213
	-h 50/60Hz 20-25V	10/50 • 535.03214	

NOTE: also available with metric cable inlet

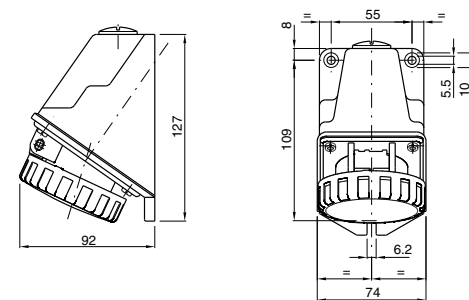


Straight box

Description	Colour	Pack qty.	Cat. no.
16A	2P	-h 50/60Hz 20-25V	10/50 • 535.1610
	12h 50/60Hz 40-50V	10/50 • 535.1611	
	10h d.c. 20-25/40-50V	10/50 • 535.1612	
32A	3P	12h 50/60Hz 40-50V	10/50 • 535.1613
	-h 50/60Hz 20-25V	10/50 • 535.1614	
	-h 50/60Hz 20-25V	10/50 • 535.3210	
32A	2P	12h 50/60Hz 40-50V	10/50 • 535.3211
	10h d.c. 20-25/40-50V	10/50 • 535.3212	
	3P	12h 50/60Hz 40-50V	10/50 • 535.3213
	-h 50/60Hz 20-25V	10/50 • 535.3214	

NOTE: also available with metric cable inlet

535.
Angled



546.
INTERLOCKED-SWITCH
SOCKET OUTLETS - IP67



QUADRA Series

Reference standards: IEC 60309-1 and IEC 60309-2

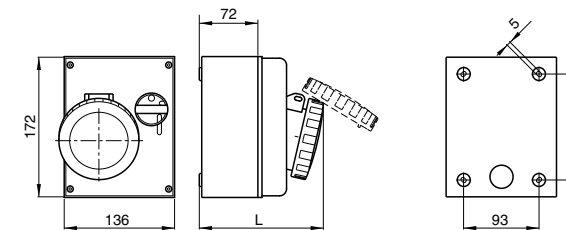
- Without fuse carrier



Compact version

Description	Colour	Pack qty.	Cat. no.
2P+± 6h 50/60Hz 200-250V	Blue	6	• 546.1683
16A 3P+± 6h 50/60Hz 380-415V	Red	6	• 546.1686
	3P+N+± 6h 50/60Hz 346-415V	Red	6 • 546.1687
2P+± 6h 50/60Hz 200-250V	Blue	6	• 546.3283
32A 3P+± 6h 50/60Hz 380-415V	Red	6	• 546.3286
	3P+N+± 6h 50/60Hz 346-415V	Red	6 • 546.3287

546.



		L
16A	2P++	146
	3P++	146
	3P+N++	146
32A	2P++	153
	3P++	153
	3P+N++	153

557.
**INTERLOCKED SWITCHED
 SOCKET OUTLETS - IP66**

ADVANCE Series

Reference standards: IEC 60309-1 and IEC 60309-2
 - With DIN rail (4 DIN modules)



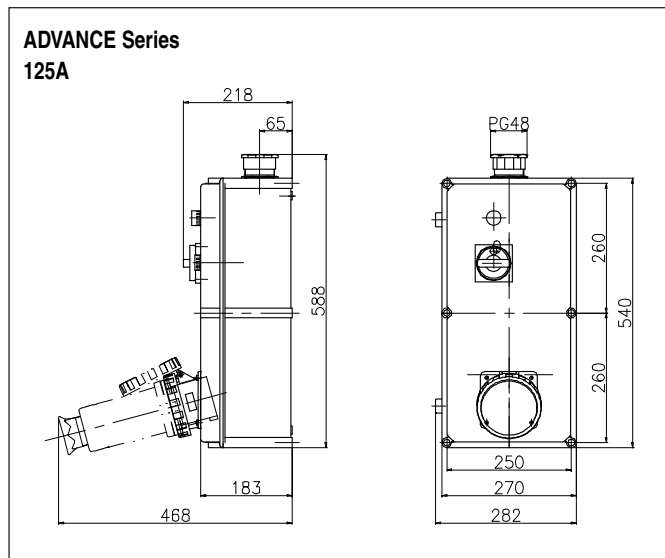
With MCCB

Description	Colour	Pack qty.	Cat. no.
125A 3P+ \pm 6h 50/60Hz 380-415V	■	1	557.12576
3P+N+ \pm 6h 50/60Hz 346-415V	■	1	557.12577



With MCCB and RCD

Description	Colour	Pack qty.	Cat. no.
125A 3P+ \pm 6h 50/60Hz 380-415V	■	1	557.12586
3P+N+ \pm 6h 50/60Hz 346-415V	■	1	557.12587



560.
**INTERLOCKED SWITCHED
 SOCKET OUTLETS - IP44**

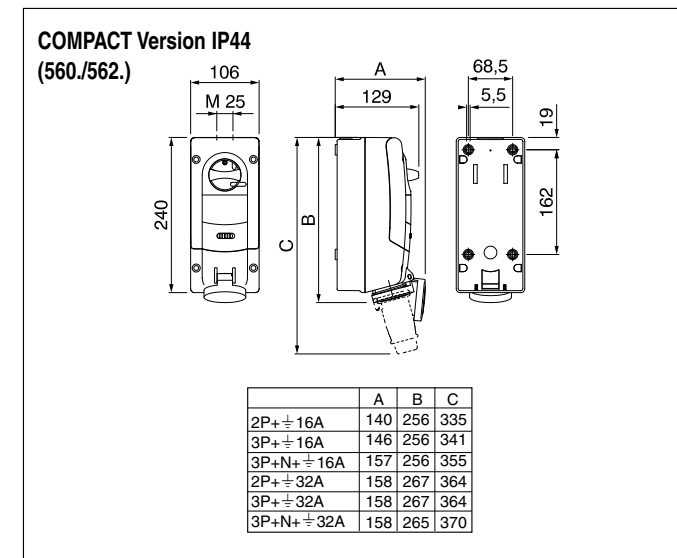
ADVANCE 2 Series

Reference standards: IEC 60309-1 and IEC 60309-2
 - Without fuse carrier



Compact version

Description	Colour	Pack qty.	Cat. no.
4h 50/60Hz 100-130V	■	1/12	• 560.1670
2P+ \pm 6h 50/60Hz 200-250V	■	1/12	• 560.1683
9h 50/60Hz 380-415V	■	1/12	• 560.1678
4h 50/60Hz 100-130V	■	1/12	• 560.1672
16A 3P+ \pm 9h 50/60Hz 200-250V	■	1/12	• 560.1674
6h 50/60Hz 380-415V	■	1/12	• 560.1686
3h 50-60Hz 380/440V	■	1/12	• 560.16864
4h 50/60Hz 100-130V	■	1/12	• 560.1679
3P+N+ \pm 9h 50/60Hz 208-250V	■	1/12	• 560.1675
6h 50/60Hz 346-415V	■	1/12	• 560.1687
4h 50/60Hz 100-130V	■	1/12	• 560.3270
2P+ \pm 6h 50/60Hz 200-250V	■	1/12	• 560.3283
9h 50/60Hz 380-415V	■	1/12	• 560.3278
4h 50/60Hz 100-130V	■	1/12	• 560.3272
32A 3P+ \pm 9h 50/60Hz 200-250V	■	1/12	• 560.3274
6h 50/60Hz 380-415V	■	1/12	• 560.3286
3h 50-60Hz 380/440V	■	1/12	• 560.32864
4h 50/60Hz 100-130V	■	1/12	• 560.3279
3P+N+ \pm 9h 50/60Hz 208-250V	■	1/12	• 560.3275
6h 50/60Hz 346-415V	■	1/12	• 560.3287



561. INTERLOCKED SWITCHED SOCKET OUTLETS - IP67

ADVANCE 2 Series

Reference standards: IEC 60309-1 and IEC 60309-2
- Without fuse carrier



Compact version						
Description		Colour	Pack qty.	Cat. no.		
2P+⊕	4h 50/60Hz 100-130V	Yellow	1/12	• 561.1670		
	6h 50/60Hz 200-250V	Blue	1/12	• 561.1683		
	9h 50/60Hz 380-415V	Red	1/12	• 561.1678		
16A 3P+⊕	4h 50/60Hz 100-130V	Yellow	1/12	• 561.1672		
	9h 50/60Hz 200-250V	Blue	1/12	• 561.1674		
	6h 50/60Hz 380-415V	Red	1/12	• 561.1686		
3P+N+⊕	3h 50-60Hz 380/440V	Red	1/12	• 561.16864		
	4h 50/60Hz 100-130V	Yellow	1/12	• 561.1679		
	9h 50/60Hz 208-250V	Blue	1/12	• 561.1675		
2P+⊕	6h 50/60Hz 346-415V	Red	1/12	• 561.1687		
	4h 50/60Hz 100-130V	Yellow	1/12	• 561.3270		
	6h 50/60Hz 200-250V	Blue	1/12	• 561.3283		
9h 50/60Hz 380-415V	Red	1/12	• 561.3278			
	4h 50/60Hz 100-130V	Yellow	1/12	• 561.3272		
	9h 50/60Hz 200-250V	Blue	1/12	• 561.3274		
32A 3P+⊕	6h 50/60Hz 380-415V	Red	1/12	• 561.3286		
	3h 50-60Hz 380/440V	Red	1/12	• 561.32864		
	4h 50/60Hz 100-130V	Yellow	1/12	• 561.3279		
3P+N+⊕	9h 50/60Hz 208-250V	Blue	1/12	• 561.3275		
	6h 50/60Hz 346-415V	Red	1/12	• 561.3287		

Large version						
Description		Colour	Pack qty.	Cat. no.		
2P+⊕	4h 50/60Hz 100-130V	Yellow	1/4	• 561.6370		
	6h 50/60Hz 200-250V	Blue	1/4	• 561.6383		
	9h 50/60Hz 380-415V	Red	1/4	• 561.6378		
63A 3P+⊕	4h 50/60Hz 100-130V	Yellow	1/4	• 561.6372		
	9h 50/60Hz 200-250V	Blue	1/4	• 561.6374		
	6h 50/60Hz 380-415V	Red	1/4	• 561.6386		
3P+N+⊕	4h 50/60Hz 100-130V	Yellow	1/4	• 561.6379		
	9h 50/60Hz 208-250V	Blue	1/4	• 561.6375		
	6h 50/60Hz 346-415V	Red	1/4	• 561.6387		

COMPACT Version IP67 (561./566./564.)

	A	B	C
2P+⊕ 16A	145	261	341
3P+⊕ 16A	152	261	350
3P+N+⊕ 16A	163	262	368
2P+⊕ 32A	164	272	377
3P+⊕ 32A	164	272	377
3P+N+⊕ 32A	167	272	385

562. INTERLOCKED SWITCHED SOCKET OUTLETS - IP44

ADVANCE 2 Series

Reference standards: IEC 60309-1 and IEC 60309-2
- With fuse carrier



Compact version						
Description		Colour	Pack qty.	Cat. no.		Fuse
2P+⊕	4h 50/60Hz 100-130V	Yellow	1/12	• 562.1670		
	6h 50/60Hz 200-250V	Blue	1/12	• 562.1683		
	9h 50/60Hz 380-415V	Red	1/12	• 562.1678		
16A 3P+⊕	4h 50/60Hz 100-130V	Yellow	1/12	• 562.1672		
	9h 50/60Hz 200-250V	Blue	1/12	• 562.1674		
	6h 50/60Hz 380-415V	Red	1/12	• 562.1686		
3P+N+⊕	3h 50-60Hz 380/440V	Red	1/12	• 562.16864		
	4h 50/60Hz 100-130V	Yellow	1/12	• 562.1679		
	9h 50/60Hz 208-250V	Blue	1/12	• 562.1675		
2P+⊕	6h 50/60Hz 346-415V	Red	1/12	• 562.1687		
	4h 50/60Hz 100-130V	Yellow	1/12	• 562.3270		
	6h 50/60Hz 200-250V	Blue	1/12	• 562.3283		
9h 50/60Hz 380-415V	Red	1/12	• 562.3278			
	4h 50/60Hz 100-130V	Yellow	1/12	• 562.3272		
	9h 50/60Hz 200-250V	Blue	1/12	• 562.3274		
32A 3P+⊕	6h 50/60Hz 380-415V	Red	1/12	• 562.3286		
	3h 50-60Hz 380/440V	Red	1/12	• 562.32864		
	4h 50/60Hz 100-130V	Yellow	1/12	• 562.3279		
3P+N+⊕	9h 50/60Hz 208-250V	Blue	1/12	• 562.3275		
	6h 50/60Hz 346-415V	Red	1/12	• 562.3287		

563. INTERLOCKED SWITCHED SOCKET OUTLETS - IP67

ADVANCE 2 Series

Reference standards: IEC 60309-1 and IEC 60309-2
- With fuse carrier



Compact version						
Description		Colour	Pack qty.	Cat. no.		Fuse
2P+⊕	4h 50/60Hz 100-130V	Yellow	1/12	• 563.1670		
	6h 50/60Hz 200-250V	Blue	1/12	• 563.1683		
	9h 50/60Hz 380-415V	Red	1/12	• 563.1678		
16A 3P+⊕	4h 50/60Hz 100-130V	Yellow	1/12	• 563.1672		
	9h 50/60Hz 200-250V	Blue	1/12	• 563.1674		
	6h 50/60Hz 380-415V	Red	1/12	• 563.1686		
3P+N+⊕	3h 50-60Hz 380/440V	Red	1/12	• 563.16864		
	4h 50/60Hz 100-130V	Yellow	1/12	• 563.1679		
	9h 50/60Hz 208-250V	Blue	1/12	• 563.1675		
2P+⊕	6h 50/60Hz 346-415V	Red	1/12	• 563.1687		
	4h 50/60Hz 100-130V	Yellow	1/12	• 563.3270		
	6h 50/60Hz 200-250V	Blue	1/12	• 563.3283		
9h 50/60Hz 380-415V	Red	1/12	• 563.3278			
	4h 50/60Hz 100-130V	Yellow	1/12	• 563.3272		
	9h 50/60Hz 200-250V	Blue	1/12	• 563.3274		
32A 3P+⊕	6h 50/60Hz 380-415V	Red	1/12	• 563.3286		
	3h 50-60Hz 380/440V	Red	1/12	• 563.32864		
	4h 50/60Hz 100-130V	Yellow	1/12	• 563.3279		
3P+N+⊕	9h 50/60Hz 208-250V	Blue	1/12	• 563.3275		
	6h 50/60Hz 346-415V	Red	1/12	• 563.3287		

Large version						
Description		Colour	Pack qty.	Cat. no.		Fuse
2P+⊕	4h 50/60Hz 100-130V	Yellow	1/4	• 563.6370		
	6h 50/60Hz 200-250V	Blue	1/4	• 563.6383		
	9h 50/60Hz 380-415V	Red	1/4	• 563.6378		
63A 3P+⊕	4h 50/60Hz 100-130V	Yellow	1/4	• 563.6372		
	9h 50/60Hz 200-250V	Blue	1/4	• 563.6374		
	6h 50/60Hz 380-415V	Red	1/4	• 563.6386		
3P+N+⊕	4h 50/60Hz 100-130V	Yellow	1/4	• 563.6379		
	9h 50/60Hz 208-250V	Blue	1/4	• 563.6375		
	6h 50/60Hz 346-415V	Red	1/4	• 563.6387		

LARGE Version (561./563./564./568./569) IP67

	A	B	C	H
2P+⊕ 16A	166	412	492	25
3P+⊕ 16A	186	412	500	25
3P+N+⊕ 16A	197	412	518	25
2P+⊕ 32A	205	420	526	25
3P+⊕ 32A	205	420	526	25
3P+N+⊕ 32A	207	420	533	25
63A	211	439	610	40

564. INTERLOCKED SWITCHED SOCKET OUTLETS - IP67

ADVANCE 2 Series

Reference standards: IEC 60309-1 and IEC 60309-2
- With fuse carrier



Compact version						
Description		Colour	Pack qty.	Cat. no.		Fuse
2P+⊕	4h 50/60Hz 100-130V	Yellow	1/12	• 564.1670		
	6h 50/60Hz 200-250V	Blue	1/12	• 564.1683		
	9h 50/60Hz 380-415V	Red	1/12	• 564.1678		
16A 3P+⊕	4h 50/60Hz 100-130V	Yellow	1/12	• 564.1672		
	9h 50/60Hz 200-250V	Blue	1/12	• 564.1674		
	6h 50/60Hz 380-415V	Red	1/12	• 564.1686		
3P+N+⊕	4h 50/60Hz 100-130V	Yellow	1/12	• 564.1679		
	9h 50/60Hz 208-250V	Blue	1/12	• 564.1675		
	6h 50/60Hz 346-415V	Red	1/12	• 564.1687		
2P+⊕	4h 50/60Hz 100-130V	Yellow	1/12	• 564.3270		
	6h 50/60Hz 200-250V	Blue	1/12	• 564.3283		
	9h 50/60Hz 380-415V	Red	1/12	• 564.3278		
32A 3P+⊕	4h 50/60Hz 100-130V	Yellow	1/12	• 564.3272		
	9h 50/60Hz 200-250V	Blue	1/12	• 564.3274		
	6h 50/60Hz 380-415V	Red	1/12	• 564.3286		
3P+N+⊕	4h 50/60Hz 100-130V	Yellow	1/12	• 564.3279		
	9h 50/60Hz 208-250V	Blue	1/12	• 564.3275		
	6h 50/60Hz 346-415V	Red	1/12	• 564.3287		

Large version						
Description		Colour	Pack qty.	Cat. no.		Fuse
2P+⊕	4h 50/60Hz 100-130V	Yellow	1/4	• 564.6370		
	6h 50/60Hz 200-250V	Blue	1/4	• 564.6383		
	9h 50/60Hz 380-415V	Red	1/4	• 564.6378		
63A 3P+⊕	4h 50/60Hz 100-130V	Yellow	1/4	• 564.6372		
	9h 50/60Hz 200-250V	Blue	1/4	• 564.6374		
	6h 50/60Hz 380-415V	Red	1/4	• 564.6386		
3P+N+⊕	4h 50/60Hz 100-130V	Yellow	1/4	• 564.6379		
	9h 50/60Hz 208-250V	Blue	1/4	• 564.6375		
	6h 50/60Hz 346-415V	Red	1/4	• 564.6387		

565. ELECTRIC INTERLOCK VERSION SAFETY EXTRA LOW VOLTAGE SYSTEMS

ADVANCE 2 Series

Reference standards: IEC 60309-1 and IEC 60309-2
- With micro-switch



<50V

Version with safety transformer - compact

Description	Colour	Pack qty.	Cat. no.
16A 2P -h 50/60Hz 20-25V IP44	■	1/10	• 565.2416
-h 50/60Hz 20-25V IP67	■	1/10	• 565.2416/S

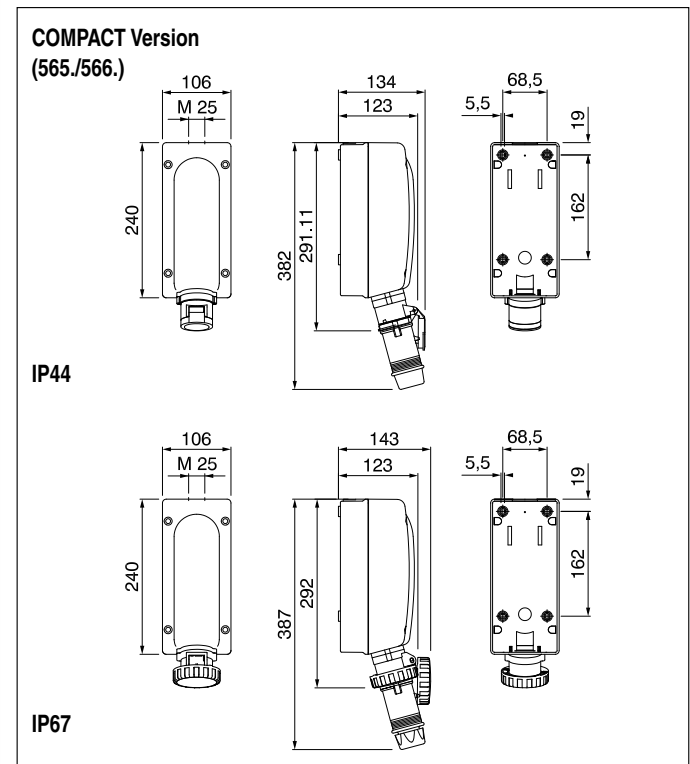
Version with safety transformer - large

Description	Colour	Pack qty.	Cat. no.
16A 2P -h 50/60Hz 20-25V IP44	■	1/10	• 565.2516
-h 50/60Hz 20-25V IP67	■	1/10	• 565.2516/S

Version with EN 50022 rail (6 DIN modules) #

Description	Colour	Pack qty.	Cat. no.
16A 2P -h 50/60Hz 20-25V IP44	■	1/10	• 565.2420
12h 50/60Hz 40-50V IP44	□	1/10	• 565.2421
32A 2P -h 50/60Hz 20-25V IP44	■	1/10	• 565.2432
12h 50/60Hz 40-50V IP44	□	1/10	• 565.2433
16A 2P -h 50/60Hz 20-25V IP67	■	1/10	• 565.2420/S
12h 50/60Hz 40-50V IP67	□	1/10	• 565.2421/S
32A 2P -h 50/60Hz 20-25V IP67	■	1/10	• 565.2432/S
12h 50/60Hz 40-50V IP67	□	1/10	• 565.2433/S

without transformer



566. ELECTRIC INTERLOCK VERSION SAFETY EXTRA LOW VOLTAGE SYSTEMS

ADVANCE 2 Series

Reference standards: IEC 60309-1 and IEC 60309-2
- With micro-switch



<50V

Version with safety transformer - compact

Description	Colour	Pack qty.	Cat. no.
16A 2P -h 50/60Hz 20-25V IP44	■	1/10	• 566.2416
-h 50/60Hz 20-25V IP67	■	1/10	• 566.2416/S

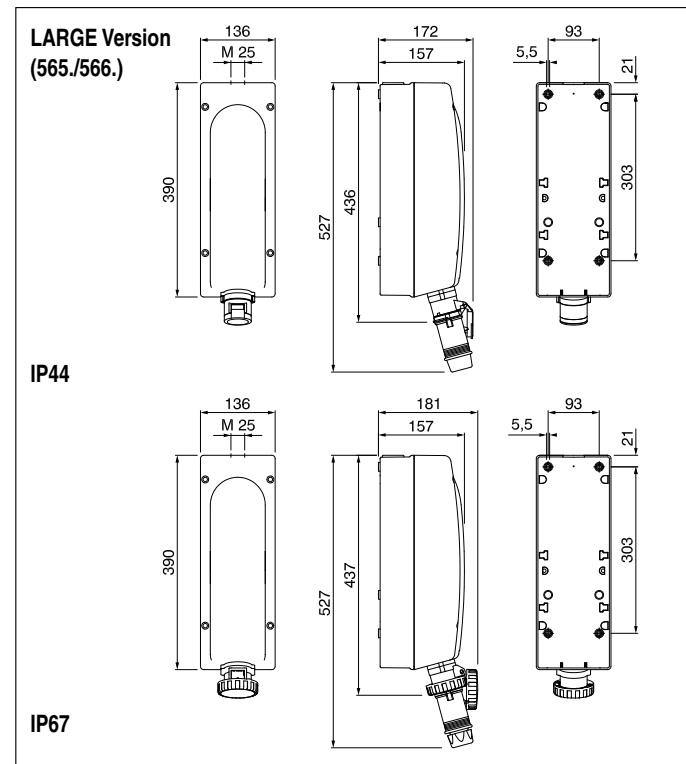
Version with safety transformer - large

Description	Colour	Pack qty.	Cat. no.
16A 2P -h 50/60Hz 20-25V IP44	■	1/10	• 566.2516
-h 50/60Hz 20-25V IP67	■	1/10	• 566.2516/S

Version with EN 50022 rail (6 DIN modules) #

Description	Colour	Pack qty.	Cat. no.
16A 2P -h 50/60Hz 20-25V IP44	■	1/10	• 566.2420
12h 50/60Hz 40-50V IP44	□	1/10	• 566.2421
32A 2P -h 50/60Hz 20-25V IP44	■	1/10	• 566.2432
12h 50/60Hz 40-50V IP44	□	1/10	• 566.2433
16A 2P -h 50/60Hz 20-25V IP67	■	1/10	• 566.2420/S
12h 50/60Hz 40-50V IP67	□	1/10	• 566.2421/S
32A 2P -h 50/60Hz 20-25V IP67	■	1/10	• 566.2432/S
12h 50/60Hz 40-50V IP67	□	1/10	• 566.2433/S

without transformer



567. INTERLOCKED SWITCHED SOCKET OUTLETS - IP44

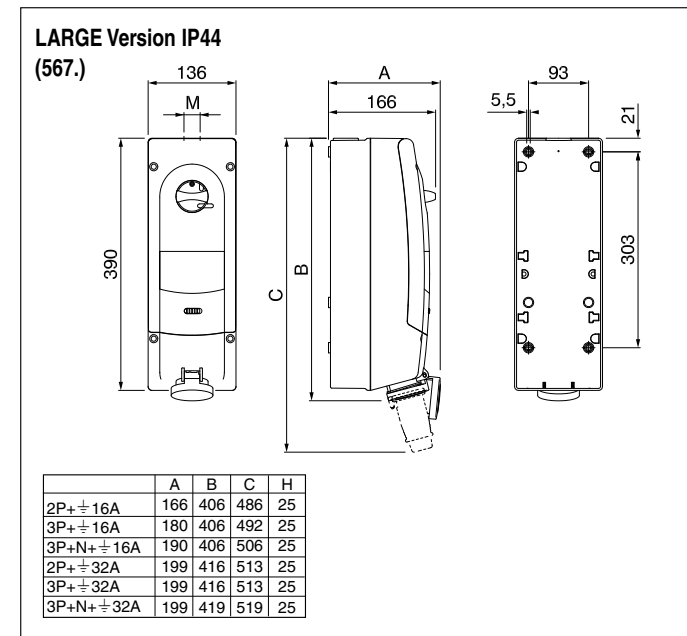
ADVANCE 2 Series

Reference standards: IEC 60309-1 and IEC 60309-2
- With DIN rail (6 DIN modules)



Large version

Description	Colour	Pack qty.	Cat. no.
2P+⊕ 4h 50/60Hz 100-130V	■	1/4	• 567.1670
6h 50/60Hz 200-250V	■	1/4	• 567.1683
9h 50/60Hz 380-415V	■	1/4	• 567.1678
4h 50/60Hz 100-130V	■	1/4	• 567.1672
9h 50/60Hz 200-250V	■	1/4	• 567.1674
6h 50/60Hz 380-415V	■	1/4	• 567.1686
3h 50-60Hz 380/440V	■	1/4	• 567.16864
4h 50/60Hz 100-130V	■	1/4	• 567.1679
3P+N+⊕ 9h 50/60Hz 208-250V	■	1/4	• 567.1675
6h 50/60Hz 346-415V	■	1/4	• 567.1687
4h 50/60Hz 100-130V	■	1/4	• 567.3270
6h 50/60Hz 200-250V	■	1/4	• 567.3283
9h 50/60Hz 380-415V	■	1/4	• 567.3278
4h 50/60Hz 100-130V	■	1/4	• 567.3272
9h 50/60Hz 200-250V	■	1/4	• 567.3274
6h 50/60Hz 380-415V	■	1/4	• 567.3286
3h 50-60Hz 380/440V	■	1/4	• 567.32864
4h 50/60Hz 100-130V	■	1/4	• 567.3279
3P+N+⊕ 9h 50/60Hz 208-250V	■	1/4	• 567.3275
6h 50/60Hz 346-415V	■	1/4	• 567.3287



568. INTERLOCKED SWITCHED SOCKET OUTLETS - IP67

ADVANCE 2 Series

Reference standards: IEC 60309-1 and IEC 60309-2
- With DIN rail (6 DIN modules)



Large version

Description	Colour	Pack qty.	Cat. no.
2P+⊕ 4h 50/60Hz 100-130V	■	1/4	• 568.1670
6h 50/60Hz 200-250V	■	1/4	• 568.1683
9h 50/60Hz 380-415V	■	1/4	• 568.1678
4h 50/60Hz 100-130V	■	1/4	• 568.1672
9h 50/60Hz 200-250V	■	1/4	• 568.1674
6h 50/60Hz 380-415V	■	1/4	• 568.1686
3h 50-60Hz 380/440V	■	1/4	• 568.16864
4h 50/60Hz 100-130V	■	1/4	• 568.1679
3P+N+⊕ 9h 50/60Hz 208-250V	■	1/4	• 568.1675
6h 50/60Hz 346-415V	■	1/4	• 568.1687
4h 50/60Hz 100-130V	■	1/4	• 568.3270
6h 50/60Hz 200-250V	■	1/4	• 568.3283
9h 50/60Hz 380-415V	■	1/4	• 568.3278
4h 50/60Hz 100-130V	■	1/4	• 568.3272
9h 50/60Hz 200-250V	■	1/4	• 568.3274
6h 50/60Hz 380-415V	■	1/4	• 568.3286
3h 50-60Hz 380/440V	■	1/4	• 568.32864
4h 50/60Hz 100-130V	■	1/4	• 568.3279
3P+N+⊕ 9h 50/60Hz 208-250V	■	1/4	• 568.3275
6h 50/60Hz 346-415V	■	1/4	• 568.3287
4h 50/60Hz 100-130V	■	1/4	• 568.6370
6h 50/60Hz 200-250V	■	1/4	• 568.6383
9h 50/60Hz 380-415V	■	1/4	• 568.6378
4h 50/60Hz 100-130V	■	1/4	• 568.6372
63A 3P+⊕ 9h 50/60Hz 200-250V	■	1/4	• 568.6374
6h 50/60Hz 380-415V	■	1/4	• 568.6376
4h 50/60Hz 100-130V	■	1/4	• 568.6379
3P+N+⊕ 9h 50/60Hz 208-250V	■	1/4	• 568.6375
6h 50/60Hz 346-415V	■	1/4	• 568.6377

569. INTERLOCKED SWITCHED SOCKET OUTLETS - IP67

ADVANCE 2 Series

Reference standards: IEC 60309-1 and IEC 60309-2
- With DIN rail (6 modules)

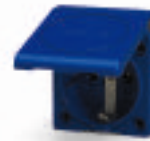


Large version

Description	Colour	Pack qty.	Cat. no.
4h 50/60Hz 100-130V	Yellow	1/4	• 569.1670
2P+⊕ 6h 50/60Hz 200-250V	Blue	1/4	• 569.1683
9h 50/60Hz 380-415V	Red	1/4	• 569.1678
4h 50/60Hz 100-130V	Yellow	1/4	• 569.1672
16A 3P+⊕ 9h 50/60Hz 200-250V	Blue	1/4	• 569.1674
6h 50/60Hz 380-415V	Red	1/4	• 569.1686
4h 50/60Hz 100-130V	Yellow	1/4	• 569.1679
3P+N+⊕ 9h 50/60Hz 208-250V	Blue	1/4	• 569.1675
6h 50/60Hz 346-415V	Red	1/4	• 569.1687
4h 50/60Hz 100-130V	Yellow	1/4	• 569.3270
2P+⊕ 6h 50/60Hz 200-250V	Blue	1/4	• 569.3283
9h 50/60Hz 380-415V	Red	1/4	• 569.3278
4h 50/60Hz 100-130V	Yellow	1/4	• 569.3272
32A 3P+⊕ 9h 50/60Hz 200-250V	Blue	1/4	• 569.3274
6h 50/60Hz 380-415V	Red	1/4	• 569.3286
4h 50/60Hz 100-130V	Yellow	1/4	• 569.3279
3P+N+⊕ 9h 50/60Hz 208-250V	Blue	1/4	• 569.3275
6h 50/60Hz 346-415V	Red	1/4	• 569.3287
4h 50/60Hz 100-130V	Yellow	1/4	• 569.6370
2P+⊕ 6h 50/60Hz 200-250V	Blue	1/4	• 569.6383
9h 50/60Hz 380-415V	Red	1/4	• 569.6378
4h 50/60Hz 100-130V	Yellow	1/4	• 569.6372
63A 3P+⊕ 9h 50/60Hz 200-250V	Blue	1/4	• 569.6374
6h 50/60Hz 380-415V	Red	1/4	• 569.6376
4h 50/60Hz 100-130V	Yellow	1/4	• 569.6379
3P+N+⊕ 9h 50/60Hz 208-250V	Blue	1/4	• 569.6375
6h 50/60Hz 346-415V	Red	1/4	• 569.6377

ACCESSORIES

570. ACCESSORIES FOR THE IEC309



DOMESTIC Applications

Reference standards: CEI 23-16, BS 1363, VDE 0620, NFC 61-303



Sockets for domestic applications panel mounting - IP44

Description	Standard	Flange (mm)	Colour	Pack qty.	Cat. no.
german	50x60	Grey	10/100	• 570.2061	
2P+⊕ · 16A · 250V- italian-dual-use	50x60	Grey	10/100	• 570.2071	
french	50x60	Grey	10/100	• 570.2091	



Sockets for domestic applications panel mounting - IP44

Description	Standard	Flange (mm)	Colour	Pack qty.	Cat. no.
german	70x87	Grey	10/100	• 570.4061	
2P+⊕ · 16A · 250V- italian-dual-use	70x87	Grey	10/100	• 570.4071	
french	70x87	Grey	10/100	• 570.4091	



Sockets for domestic applications panel mounting - IP44

Description	Standard	Flange (mm)	Colour	Pack qty.	Cat. no.
2P+⊕ · 16A · 250V- british	70x87	Grey	10/100	• 570.4080	



Sockets for domestic applications surface mounting - IP44

Description	Standard	Flange (mm)	Colour	Pack qty.	Cat. no.
german	70x87	Grey	9/90	• 570.4161	
2P+⊕ · 16A · 250V- italian-dual-use	70x87	Grey	9/90	• 570.4171	
french	70x87	Grey	9/90	• 570.4191	

NOTE: also available with metric cable inlet



Switched socket-outlet - IP66

Description	Standard	Colour	Pack qty.	Cat. no.
2P+⊕ · 13A · 250V- british		Grey	1/12	• 570.7180



Empty support - Flange 70x87 mm - IP55

Description	Colour	Pack qty.	Cat. no.
For "Bticino" brand inserts	Grey	10	• 570.5012
For "Evolution" and "Basic" inserts	Grey	10	• 570.5052



Empty surface mounting boxes - IP67

Description	Flange (mm)	Cable inlet	Colour	Pack qty.	Cat. no.
Straight box	16A 70x87	PG16	Grey	10	• 570.0016
		M20	Grey	10	• 570.M0016
		PG21	Grey	10	• 570.0032
Angled box	32A 84x106	M25	Grey	10	• 570.M0032
		PG16	Grey	10	• 570.0116
		M20	Grey	10	• 570.M0116
Angled box	32A 84x106	PG21	Grey	10	• 570.0132
		M25	Grey	10	• 570.M0132
		PG29	Grey	6	• 570.0163
Angled box	63A 100x110	M32	Grey	6	• 570.M0163
		PG48	Grey	6	• 570.0125
		M63	Grey	6	• 570.M0125



Mechanical locking devices

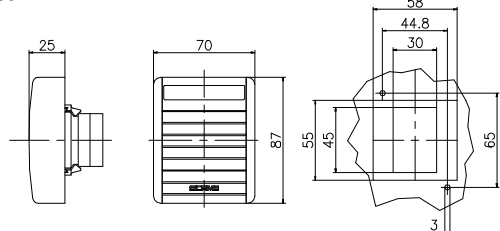
Description	Colour	Pack qty.	Cat. no.
3P+N+⊕ - 125A	Grey	1	• 570.1125
For appliance inlets 2/3P+⊕ - 32A	Grey	1	• 570.1432
3P+N+⊕ - 32A	Grey	1	• 570.1532
3P+N+⊕ - 63A	Grey	1	• 570.1563



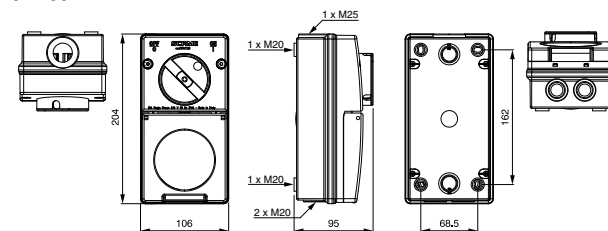
Cover for IP44 and IP67 plugs

Description	Colour	Pack qty.	Cat. no.
Plugs cover 16/20A - 2P+⊕	Grey	10/100	• 570.0316

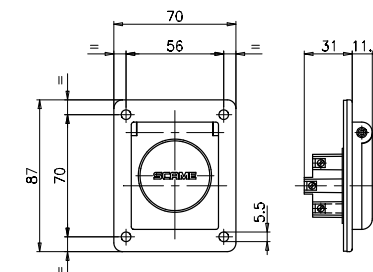
570.4080



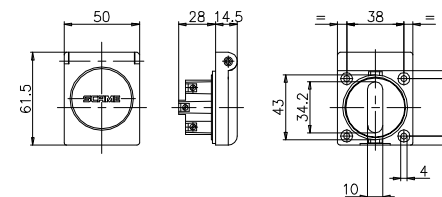
570.7180



570.40...



570.20...



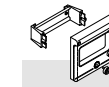
MODULAR SYSTEMS

572. MODULAR SYSTEMS - IP55



OMNIA Systems

Reference standards: IEC 60670



Components

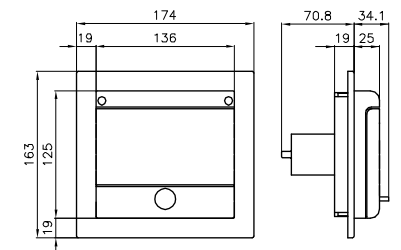
Description	Colour	Pack qty.	Cat. no.
Consumer unit assembly kit	Grey	6	• 572.0120
Flush mounting box	Grey	6	• 572.0200
Coupling insert	Grey	6	• 572.0210
Frame	Grey	6	• 572.0220
Surface mounting box	Grey	1	• 572.M0308
	Grey	6	• 572.0310
	Grey	6	• 572.M0310
Protection cover - IP20	Grey	4	• 572.0330
Surface mounting box for switching units	Grey	6	• 572.3390



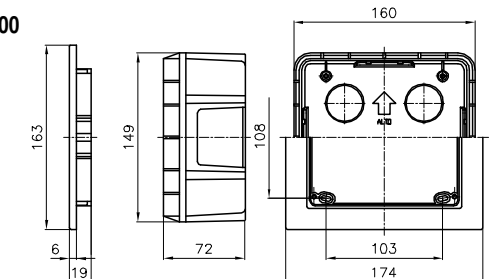
Surface mounting combination

Description	Dimensions (mm)	Protection degree	Colour	Pack qty.	Cat. no.
"Consumer unit 6 DIN" system	136x472x146	IP66	Grey	2	• 572.0311
"Blank plate" system	136x472x146	IP66	Grey	2	• 572.0312
"Consumer unit 6 DIN" system	136x616x146	IP66	Grey	3	• 572.0313
"Blank plate" system	136x616x146	IP66	Grey	3	• 572.0314
"Blank plate" system	287x408x146	IP66	Grey	4	• 572.0316

572.0120



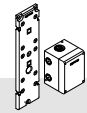
572.0200



576. MODULAR SYSTEMS - IP66

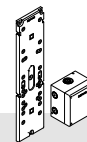
ADVANCE 2 Systems

Reference standards: IEC 60670



Module 106 (compact)

Description	Colour	Pack qty.	Cat. no.
Modular bases "compact" (16/32A)		12	576.4300
plain lid		12	• 576.4301
one-module with windows		6	• 576.4302
Enclosures with cut-out (70x87 mm)		12	• 576.4303
two-module plain lid		6	• 576.4304
with windows		6	• 576.4305



Module 136 (large)

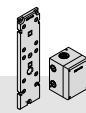
Description	Colour	Pack qty.	Cat. no.
Modular bases "large" (16/32/63A)		6	576.4340
plain lid		12	576.4321
one-module with windows		6	• 576.4322
Enclosures with cut-out (70x87 mm)		12	• 576.4323
for SCAME switch		6	• 576.4390
two-module plain lid		6	• 576.4324
with windows		6	• 576.4325



578. MODULAR SYSTEMS - IP66

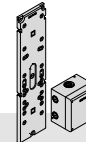
ADVANCE 2 Systems

Reference standards: IEC 60670



Module 106 (compact)

Description	Colour	Pack qty.	Cat. no.
Modular bases "compact" (16/32A)		12	578.4300
one-module plain lid		12	• 578.4301
with windows (4 DIN)		6	• 578.4302
Enclosures two-module plain lid		6	• 578.4304
with windows (10 DIN)		6	• 578.4305

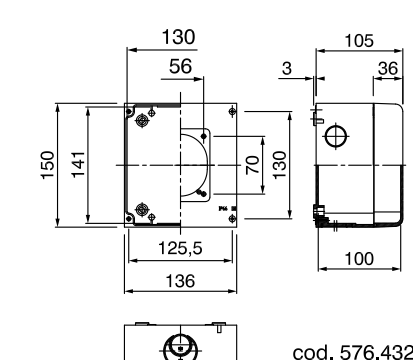
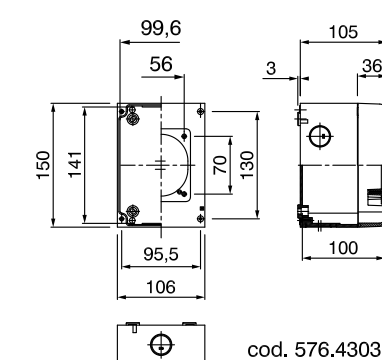
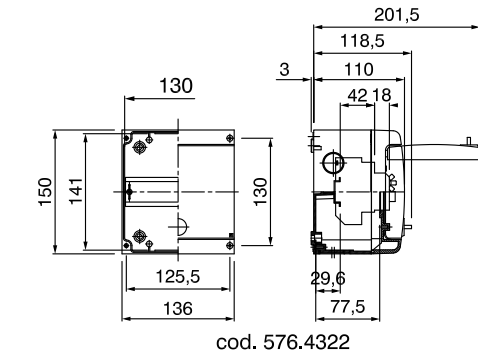
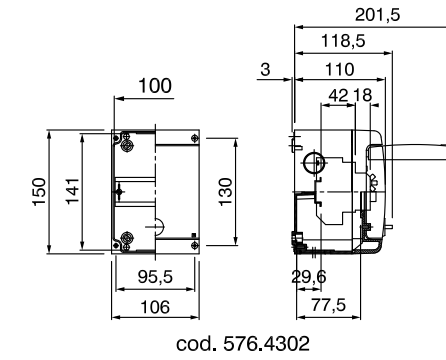
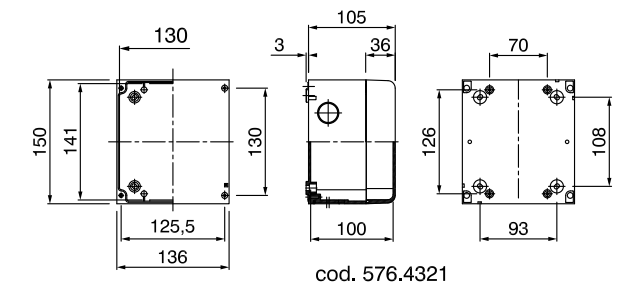
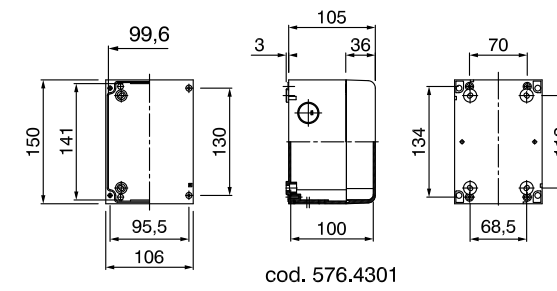


Module 136 (large)

Description	Colour	Pack qty.	Cat. no.
Modular bases "large" (16/32/63A)		6	578.4340
one-module plain lid		12	• 578.4321
with windows (6 DIN)		6	• 578.4322
Enclosures two-module plain lid		6	• 578.4324
with windows (13 DIN)		6	• 578.4325



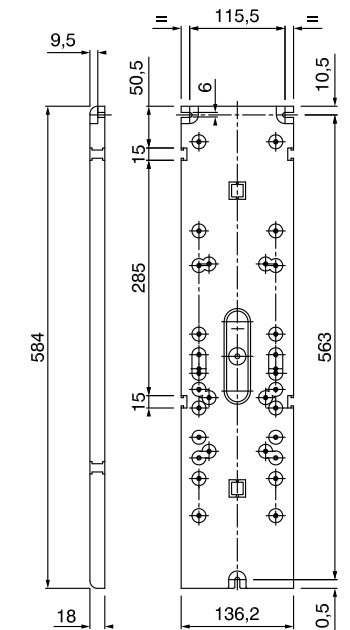
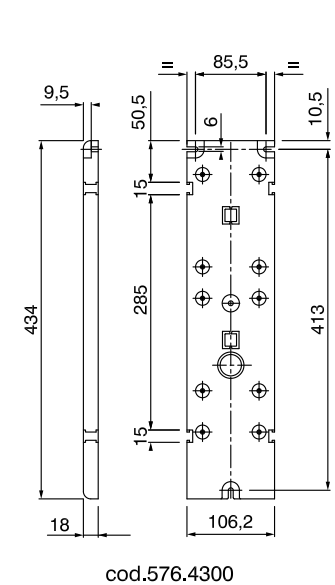
JUNCTION BOXES



Module 106

Module 136

MODULAR BASES



Module 106 (compact)

Module 136 (large)

cod. 576.4340

3. SWITCHGEAR



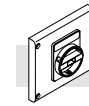
ISOLATORS Series
TOP22 Series

590. SURFACE MOUNTED WATERTIGHT ENCLOSURE - IP65



ISOLATORS Series

Reference standards: IEC 60947-3



Flush mounting-engineering plastic

Description	Flange dimensions (mm)	Protection degree	Pack qty.	Cat. no.		
				Emergency switching	General use	
2				590.ER1602	590.GR1602	
20A	3	135 x 125	IP55	1/12	590.ER1603	590.GR1603
	4				590.ER1604	590.GR1604
	4				590.ER3202	590.GR3202
32A	3	135 x 125	IP55	1/12	590.ER3203	590.GR3203
	4				590.ER3204	590.GR3204



Surface mounting-engineering plastic

Description	Flange dimensions (mm)	Protection degree	Pack qty.	Cat. no.		
				Emergency switching	General use	
2				590.EM1602	590.GE1602	
20A	3	135 x 125 x 85	IP65	1/12	590.EM1603	590.GE1603
	4				590.EM1604	590.GE1604
	4				590.EM3202	590.GE3202
32A	3	135 x 125 x 85	IP65	1/12	590.EM3203	590.GE3203
	4				590.EM3204	590.GE3204
	4				590.EM4002	590.GE4002
40A	3	135 x 125 x 85	IP65	1/12	590.EM4003	590.GE4003
	4				590.EM4004	590.GE4004
	4				590.EM6302	590.GE6302
63A	3	190 x 140 x 100	IP65	1/5	590.EM6303	590.GE6303
	4				590.EM6304	590.GE6304
	4				590.EM8002	590.GE8002
80A	3	190 x 140 x 100	IP65	1/5	590.EM8003	590.GE8003
	4				590.EM8004	590.GE8004
	4				590.EM10003	590.GE10003
100A	3	190 x 140 x 100	IP65	1/5	590.EM10004	590.GE10004
	4				590.EM12503	590.GE12503
	4				590.EM12504	590.GE12504
125A	3	300 x 220 x 120	IP55	1/5	590.EM16003	590.GE16003
	4				590.EM16004	590.GE16004
	4				590.EM16004	590.GE16004



Surface mounting-engineering plastic

Description	Flange dimensions (mm)	Protection degree	Pack qty.	Cat. no.		
				Emergency switching	General use	
2				590.HEM1602	590.HGE1602	
20A	3	105 x 150 x 82	IP65	1/12	590.HEM1603	590.HGE1603
	4				590.HEM1604	590.HGE1604
	4				590.HEM3202	590.HGE3202
32A	3	105 x 150 x 82	IP65	1/12	590.HEM3203	590.HGE3203
	4				590.HEM3204	590.HGE3204
	4				590.HEM4002	590.HGE4002
40A	3	105 x 150 x 82	IP65	1/12	590.HEM4003	590.HGE4003
	4				590.HEM4004	590.HGE4004
	4				590.HEM6302	590.HGE6302
63A	3	150 x 210 x 106	IP65	1/5	590.HEM6303	590.HGE6303
	4				590.HEM6304	590.HGE6304
	4				590.HEM8002	590.HGE8002
80A	3	150 x 210 x 106	IP65	1/5	590.HEM8003	590.HGE8003
	4				590.HEM8004	590.HGE8004
	4				590.HEM10003	590.HGE10003
100A	3	150 x 210 x 106	IP65	1/5	590.HEM10004	590.HGE10004
	4				590.HEM12503	590.HGE12503
	4				590.HEM12504	590.HGE12504
125A	3	315 x 260 x 110	IP65	1/5	590.HEM16003	590.HGE16003
	4				590.HEM16004	590.HGE16004
	4				590.HEM16004	590.HGE16004

590. CONTROL AUXILIARIES - IP65



TOP22 Series

Reference standards: IEC 60947-5-1

- Fixing hole Ø 22 mm with metal ring nut
- Including contact-holder base
- Hooking the base with the device via rotary lever



Indicator light block

Description	Colour	Pack qty.	Cat. no.
Luminous signal	Red	10	590.PLML1
	Green	10	590.PLML2
	Yellow	10	590.PLML3
	Blue	10	590.PLML4
	White	10	590.PLML5



Mushroom-head emergency button conforming to EN418

Description	Colour	Pack qty.	Cat. no.
Release with key	Red	10	590.PPFN1C4N
Without release	Red	10	590.PPFN1M4N
Rotary release	Red	10	590.PPFN1R4N
	Red	10	590.PPFN1R6N



Push-buttons

Description	Colour	Pack qty.	Cat. no.
Luminous flush push-button	Green	10	590.PPRL2
	White	10	590.PPRL5
Flush push-button	Red	10	590.PPRN1
	Green	10	590.PPRN2
	White	10	590.PPRN5
	Black	10	590.PPRN8
Protruding push-button	Red	10	590.PPSN1
	Black	10	590.PPSN8



Push-button panel - Empty enclosures

Description	Cable entry	Colour	Pack qty.	Cat. no.
1 hole	M16-M20	Grey	1/12	590.PR01K
2 holes	2xM20	Grey	1/10	590.PR02K
3 holes	2xM20	Grey	1/10	590.PR03K



Complete push-button panel

Description	Cable entry	Pack qty.	Cat. no.
1 black push button	M16-M20	1/12	590.PR01RN8
2 start-stop buttons	2xM20	1/10	590.PR02A
2 start-stop buttons + indicator light	2xM20	1/10	590.PR03A



Complete "emergency" push-button panel

Description	Cable entry	Pack qty.	Cat. no.
Mushroom-head with key	M16-M20	1/12	590.PR01C4N
Mushroom-head with rotary release	M16-M20	1/12	590.PR01R4N
Mushroom-head with indicator	M16-M20	1/12	590.PR01R4S



Selectors - With extraction key on 0

Description	Pack qty.	Cat. no.
2 positions stable	10	590.PSCN8DOC
3 positions stable	10	590.PSCN8TOC



Selectors - with long lever

Description	Colour	Pack qty.	Cat. no.
2 positions	Stable	10	590.PSLN8D0
	Impulse	10	590.PSLN8D2
3 positions	Stable	10	590.PSLN8T0
	Impulse	10	590.PSLN8T3



Accessories

Description	Pack qty.	Cat. no.
NC auxiliary contact - snap coupling	10/60	590.PL004001
NO auxiliary contact - snap coupling	10/60	590.PL004002
Lamp holder element	10/60	590.PL004007
Bulb extraction and fixing tool	10	590.PCF
Blank plate	100	590.PTA00
Yellow emergency disc	100	590.PTE/I
Black plug for holes Ø 22	100	590.PTRN8
Plate holder	100	590.PPTN8

590. ROTARY SWITCHES



SWITCH - DISCONNECTORS

Reference standards: IEC 60947-3



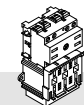
Unit B - Base mounting

Description	Colour	Pack qty.	Cat. no.
16A	2P	1/6	• 590.YA162B
	3P	1/6	• 590.YA163B
	4P	1/6	• 590.YA164B
32A	2P	1/6	• 590.YA322B
	3P	1/6	• 590.YA323B
	4P	1/6	• 590.YA324B
40A	2P	1/6	• 590.YA402B
	3P	1/6	• 590.YA403B
	4P	1/6	• 590.YA404B
63A	2P	1/6	• 590.YA632B
	3P	1/6	• 590.YA633B
	4P	1/6	• 590.YA634B
80A	2P	1/6	• 590.YA802B
	3P	1/6	• 590.YA803B
	4P	1/6	• 590.YA804B



Unit R - Front panel mounting

Description	Colour	Pack qty.	Cat. no.
16A	2P	1/6	• 590.YA162R
	3P	1/6	• 590.YA163R
	4P	1/6	• 590.YA164R
32A	2P	1/6	• 590.YA322R
	3P	1/6	• 590.YA323R
	4P	1/6	• 590.YA324R
40A	2P	1/6	• 590.YA402R
	3P	1/6	• 590.YA403R
	4P	1/6	• 590.YA404R
63A	2P	1/6	• 590.YA632R
	3P	1/6	• 590.YA633R
	4P	1/6	• 590.YA634R
80A	2P	1/6	• 590.YA802R
	3P	1/6	• 590.YA803R
	4P	1/6	• 590.YA804R



Unit B - Base mounting with fuse carrier

Description	Colour	Pack qty.	Cat. no.
16A	2P	1/12	• 590.YF162B
	3P	1/12	• 590.YF163B
	4P	1/12	• 590.YF164B
32A	2P	1/12	• 590.YF322B
	3P	1/12	• 590.YF323B
	4P	1/12	• 590.YF324B



Front operators 48x48mm - IP65

Description	Rotary switches	Knob	Front plate	Pack qty.	Cat. no.
Suitable for R units	16A, 32A and 40A	■	■	1/10	• 590.YM48R1
		■	■	1/10	• 590.YM48R2
Suitable for B units with door interlock (*)	16A, 32A and 40A	■	■	1/10	• 590.YM48B1
		■	■	1/10	• 590.YM48B2

(*) with 85mm long drive extension.



Front operators 48x48mm - IP65

Description	Rotary switches	Knob	Front plate	Pack qty.	Cat. no.
Suitable for R units	16A, 32A and 40A	■	■	1/10	• 590.YM49R1
		■	■	1/10	• 590.YM49R2
Suitable for B units with door interlock (*)	16A, 32A and 40A	■	■	1/10	• 590.YM49B1
		■	■	1/10	• 590.YM49B2

Can be padlocked. (*) with 85mm long drive extension.



Front operators 67x67mm - IP65

Description	Rotary switches	Knob	Front plate	Pack qty.	Cat. no.
Suitable for R units	16A, 32A and 40A	■	■	1/10	• 590.YM67R1
		■	■	1/10	• 590.YM67R2
Suitable for units with door interlock (*)	16A, 32A and 40A	■	■	1/10	• 590.YM67B1
		■	■	1/10	• 590.YM67B2
Suitable for R units	63A and 80A	■	■	1/10	• 590.YM67R6
		■	■	1/10	• 590.YM67R7
Suitable for units with door interlock (*)	63A and 80A	■	■	1/10	• 590.YM67B6
		■	■	1/10	• 590.YM67B7

(*) with 85mm long drive extension.



Drive extension

Description	Rotary switches	Length	Dimensions	Pack qty.	Cat. no.
Suitable for B units	16A, 32A and 40A	185 mm	5x5 mm	10	• 590.YMA185
		300 mm	5x5 mm	10	• 590.YMA300
		63A and 80A	185 mm	6x6 mm	10
300 mm	6x6 mm		10	• 590.YMB300	

4. ADAPTORS FOR INDUSTRIAL APPLICATIONS



One-way adaptors
Multi-way adaptors

600. 2-WAY ADAPTORS - IP44



Reference standards: IEC 60309-1 and IEC 60309-2



Standard

Description	Colour	Pack qty.	Cat. no.
2P+⊕	4h 50/60Hz 100-130V	1/6	• 600.1620
	6h 50/60Hz 200-250V	1/6	• 600.1623
	9h 50/60Hz 380-415V	1/6	• 600.1628
16A 3P+⊕	4h 50/60Hz 100-130V	1/6	• 600.1621
	9h 50/60Hz 200-250V	1/6	• 600.1624
	6h 50/60Hz 380-415V	1/6	• 600.1626
3P+N+⊕	4h 50/60Hz 100-130V	1/6	• 600.1622
	9h 50/60Hz 200-250V	1/6	• 600.1625
	6h 50/60Hz 380-415V	1/6	• 600.1627



1 socket 2P+⊕ and 1 socket 3P+⊕

Plug	Colour	Pack qty.	Cat. no.
16A 3P+N+⊕ 6h 50/60Hz 380-415V	■	1/6	• 600.1629



1 socket with reversed phases

Description	Colour	Pack qty.	Cat. no.
16A 3P+⊕ 6h 50/60Hz 380-415V	■	1/6	• 600.1626/I
	■	1/6	• 600.1627/I

601. 2-WAY ADAPTORS - IP66

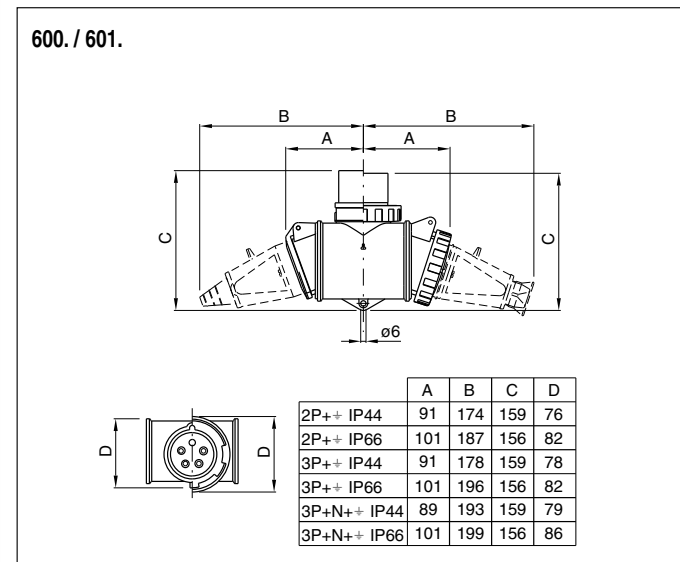


Reference standards: IEC 60309-1 and IEC 60309-2

Standard						
Description	Colour	Pack qty.	Cat. no.			
2P+±	4h 50/60Hz 100-130V	1/6	601.1620			
	6h 50/60Hz 200-250V	1/6	601.1623			
	9h 50/60Hz 380-415V	1/6	601.1628			
16A 3P+±	4h 50/60Hz 100-130V	1/6	601.1621			
	6h 50/60Hz 200-250V	1/6	601.1624			
	9h 50/60Hz 380-415V	1/6	601.1626			
3P+N+±	4h 50/60Hz 100-130V	1/6	601.1622			
	6h 50/60Hz 200-250V	1/6	601.1625			
	9h 50/60Hz 380-415V	1/6	601.1627			

1 socket 2P+± and 1 socket 3P+±						
Plug	Colour	Pack qty.	Cat. no.			
16A 3P+N+± 6h 50/60Hz 380-415V	■	1/6	601.1629			

1 socket with reversed phases						
Description	Colour	Pack qty.	Cat. no.			
16A 3P+± 6h 50/60Hz 380-415V	■	1/6	601.1626/I			
3P+N+± 6h 50/60Hz 380-415V	■	1/6	601.1627/I			



602. 3-WAY AND 5-WAY ADAPTORS WITH CABLE AND PLUG

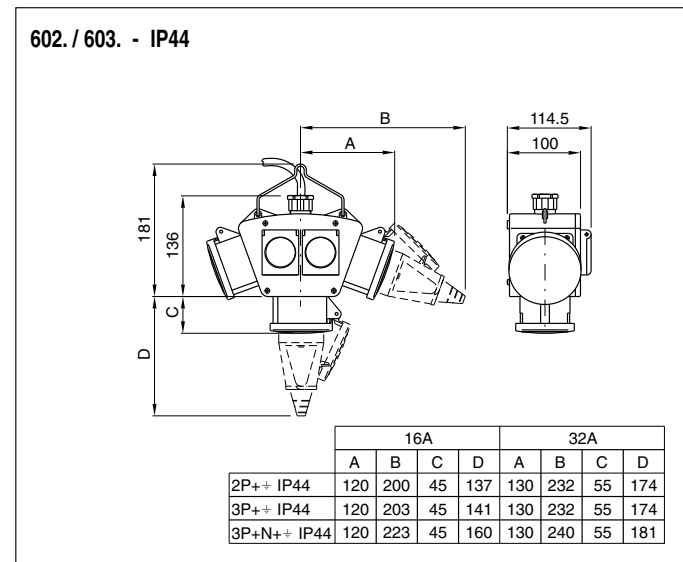


Reference standards: IEC 60309-1 and IEC 60309-2

3-way version - IP44					
Plug	Socket outlets	Colour	Pack qty.	Cat. no.	
16A-2P+±	3x16A-2P+±	■	1/6	602.3005-062	
16A-3P+±	3x16A-3P+±	■	1/6	602.3005-063	
16A-3P+N+±	3x16A-3P+N+±	■	1/6	602.3005-064	
16A-3P+N+±	2x16A-2P+± and 1x16A-3P+±	■	1/6	602.3005-059	
16A-3P+N+±	2x16A-2P+± and 1x16A-3P+N+±	■	1/6	602.3005-061	

3-way version - IP66					
Plug	Socket outlets	Colour	Pack qty.	Cat. no.	
16A-2P+±	3x16A-2P+±	■	1/6	602.3505-062	
16A-3P+±	3x16A-3P+±	■	1/6	602.3505-063	
16A-3P+N+±	3x16A-3P+N+±	■	1/6	602.3505-064	
16A-3P+N+±	2x16A-2P+± and 1x16A-3P+±	■	1/6	602.3505-059	
16A-3P+N+±	2x16A-2P+± and 1x16A-3P+N+±	■	1/6	602.3505-061	

5-way version - IP44					
Plug	Socket outlets	Colour	Pack qty.	Cat. no.	
16A-2P+±	3x16A-2P+± and 2x16A Dual-use	■	1/6	602.5005-358	
16A-3P+±	3x16A-3P+±, 1x16A Dual-use and 1x16A Unel	■	1/6	602.5005-359	
16A-3P+N+±	3x16A-3P+N+± and 2x16A Unel	■	1/6	602.5005-360	



603. 3-WAY AND 5-WAY ADAPTORS WITHOUT CABLE



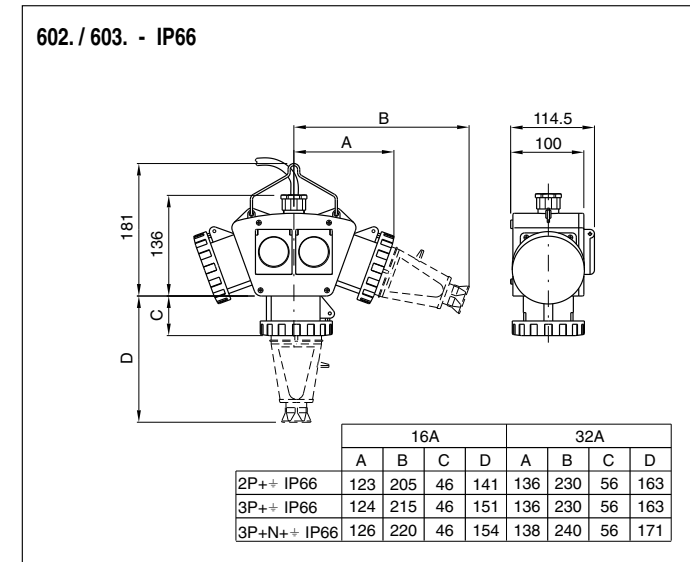
Reference standards: IEC 60309-1 and IEC 60309-2

- To be wired into the 16 mm², terminal block

3-way version - IP44			
Socket outlet	Colour	Pack qty.	Cat. no.
3x16A-2P+±	■	1/6	603.3005-062
3x16A-3P+±	■	1/6	603.3005-063
3x16A-3P+N+±	■	1/6	603.3005-064
2x16A-2P+± and 1x16A-3P+±	■	1/6	603.3005-059
2x16A-2P+± and 1x16A-3P+N+±	■	1/6	603.3005-061

5-way version - IP66			
Socket outlet	Colour	Pack qty.	Cat. no.
3x16A-2P+±	■	1/6	603.3505-062
3x16A-3P+±	■	1/6	603.3505-063
3x16A-3P+N+±	■	1/6	603.3505-064
2x16A-2P+± and 1x16A-3P+±	■	1/6	603.3505-059
2x16A-2P+± and 1x16A-3P+N+±	■	1/6	603.3505-061

5-way version - IP44			
Socket outlet	Colour	Pack qty.	Cat. no.
3x16A-2P+± and 2x16A Dual-use	■	1/6	603.5005-358
3x16A-3P+±, 1x16A Dual-use and 1x16A Unel	■	1/6	603.5005-359
3x16A-3P+N+± and 2x16A Unel	■	1/6	603.5005-360



604. 2-WAY ADAPTORS WITH CABLE AND PLUG - IP44



Reference standards: IEC 60309-1 and IEC 60309-2

- Cable 2,5mm²

Standard						
Description	Colour	Pack qty.	Cat. no.			
2P+±	4h 50/60Hz 100-130V	1/6	604.1620/C			
	6h 50/60Hz 200-250V	1/6	604.1623/C			
	9h 50/60Hz 380-415V	1/6	604.1628/C			
16A 3P+±	4h 50/60Hz 100-130V	1/6	604.1621/C			
	6h 50/60Hz 200-250V	1/6	604.1624/C			
	9h 50/60Hz 380-415V	1/6	604.1626/C			
3P+N+±	4h 50/60Hz 100-130V	1/6	604.1622/C			
	6h 50/60Hz 200-250V	1/6	604.1625/C			
	9h 50/60Hz 380-415V	1/6	604.1627/C			
32A 3P+N+±	6h 50/60Hz 380-415V	1/6	604.3226/C			
	9h 50/60Hz 380-415V	1/6	604.3227/C			

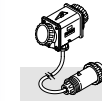
1 socket 2P+± and 1 socket 3P+±						
Description	Colour	Pack qty.	Cat. no.			
16A 3P+N+± 6h 50/60Hz 380-415V	■	1/6	604.1629/C			

1 socket with reversed phases						
Description	Colour	Pack qty.	Cat. no.			
16A 3P+± 6h 50/60Hz 380-415V	■	1/6	604.1626/I-C			
3P+N+± 6h 50/60Hz 380-415V	■	1/6	604.1627/I-C			

4. ADAPTORS FOR INDUSTRIAL APPLICATIONS

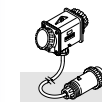
605. 2-WAY ADAPTORS WITH CABLE AND PLUG - IP66

Reference standards: IEC 60309-1 and IEC 60309-2
- Cable 2,5mm²



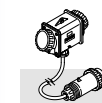
Standard

Description	Colour	Pack qty.	Cat. no.
2P+⊕	4h 50/60Hz 100-130V	1/6	605.1620/C
2P+⊕	6h 50/60Hz 200-250V	1/6	605.1623/C
	9h 50/60Hz 380-415V	1/6	605.1628/C
	4h 50/60Hz 100-130V	1/6	605.1621/C
16A 3P+⊕	9h 50/60Hz 200-250V	1/6	605.1624/C
	6h 50/60Hz 380-415V	1/6	605.1626/C
	4h 50/60Hz 100-130V	1/6	605.1622/C
3P+N+⊕	9h 50/60Hz 200-250V	1/6	605.1625/C
	6h 50/60Hz 380-415V	1/6	605.1627/C
32A 3P+⊕	6h 50/60Hz 380-415V	1/6	605.3226/C
	6h 50/60Hz 380-415V	1/6	605.3227/C



1 socket 2P+⊕ and 1 socket 3P+⊕

Description	Colour	Pack qty.	Cat. no.
16A 3P+N+⊕ 6h 50/60Hz 380-415V		1/6	605.1629/C



1 socket with reversed phases

Description	Colour	Pack qty.	Cat. no.
16A 3P+⊕ 6h 50/60Hz 380-415V		1/6	605.1626/I-C
16A 3P+N+⊕ 6h 50/60Hz 380-415V		1/6	605.1627/I-C

606. 3-WAY ADAPTORS

Reference standards: IEC 60309-1 and IEC 60309-2
- Cable 2,5mm²



With appliance inlet - IP44

Plug	Socket outlets	Colour	Pack qty.	Cat. no.
16A-2P+⊕	3x16A-2P+⊕		1/6	606.3005-062
16A-3P+⊕	3x16A-3P+⊕		1/6	606.3005-063
16A-3P+N+⊕	2x16A-2P+⊕ and 1x16A-3P+⊕		1/6	606.3005-059
16A-2P+⊕	3x16A-2P+⊕		1/6	606.3005-479



With appliance inlet - IP66

Plug	Socket outlets	Colour	Pack qty.	Cat. no.
16A-2P+⊕	3x16A-2P+⊕		1/6	606.3505-062
16A-3P+⊕	3x16A-3P+⊕		1/6	606.3505-063
16A-3P+N+⊕	2x16A-2P+⊕ and 1x16A-3P+⊕		1/6	606.3505-059
16A-2P+⊕	3x16A-2P+⊕		1/6	606.3505-479



With cable and plug - IP44

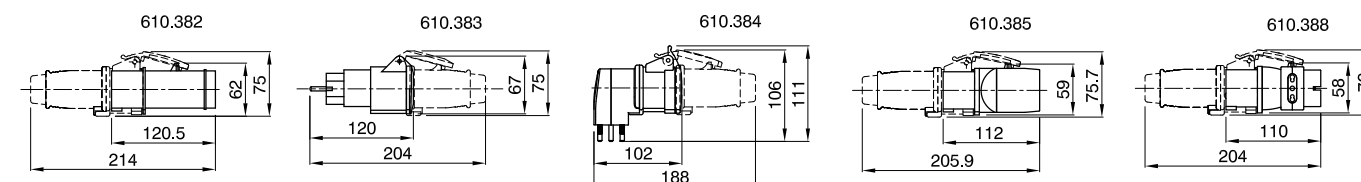
Plug	Socket outlets	Colour	Pack qty.	Cat. no.
16A-2P+⊕	3x16A-2P+⊕		1/6	606.3015-062
16A-3P+⊕	3x16A-3P+⊕		1/6	606.3015-063
16A-3P+N+⊕	2x16A-2P+⊕ and 1x16A-3P+⊕		1/6	606.3015-059
16A-2P+⊕	3x16A-2P+⊕		1/6	606.3015-479



With cable and plug - IP66

Plug	Socket outlets	Colour	Pack qty.	Cat. no.
16A-2P+⊕	3x16A-2P+⊕		1/6	606.3515-062
16A-3P+⊕	3x16A-3P+⊕		1/6	606.3515-063
16A-3P+N+⊕	2x16A-2P+⊕ and 1x16A-3P+⊕		1/6	606.3515-059
16A-2P+⊕	3x16A-2P+⊕		1/6	606.3515-479

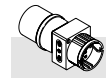
610.



610. ADAPTORS



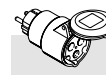
Reference standards: IEC 60309-1 and IEC 60309-2



Industrial → domestic

Domestic socket	Colour	Pack qty.	Cat. no.
Italian standard - dual-use		10/100	610.380
Italian standard "P30"		10/100	610.382
Italian standard - 2 x dual-use + 1xP30		10/100	610.388
Italian standard - 1 x dual-use + 1xP30		10/100	610.390
British standard - 13A		10/100	610.385
German standard - 16A		10/100	610.381
French standard - 10/16A		10/100	610.391

With IEC309 industrial plug (16A 2P++ 6h 250V).



Domestic → industrial

Domestic plug	Colour	Pack qty.	Cat. no.
Italian standard 16A		10/100	610.383
French/German standard 16A		10/100	610.384

With IEC309 industrial socket (16A 2P++ 6h 250V)



Phase sequence adaptors

Description	Colour	Pack qty.	Cat. no.
3P+± 9h 50/60Hz 200/250V		10/50	610.3444
16A 3P+± 6h 50/60Hz 380/415V		10/50	610.3646
3P+N+± 6h 50/60Hz 380/415V		10/50	610.3747



Current adaptors (32A → 16A)

Description	Colour	Pack qty.	Cat. no.
3P+± 9h 50/60Hz 200/250V		10/50	610.3464
3P+± 6h 50/60Hz 380/415V		10/50	610.3666



Configuration adaptors (3P+N+± → 3P+±)

Description	Colour	Pack qty.	Cat. no.
16A 6h 50/60Hz 380/415V		10/50	610.3746

623.

3-WAY AND 4-WAY UNITS PORTABLE OR SUSPENDED



Reference standards: IEC 60670



Empty casings - IP66

Casing	Protection devices	Colour	Pack qty.	Cat. no.
For 3-way units	(6 DIN)		1/4	623.3500-000
For 4-way units	-		1/4	623.4500-000

625.

3-WAY AND 4-WAY UNITS ELEVATED INSTALLATION

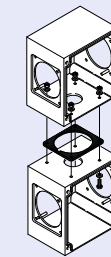


Reference standards: IEC 60670

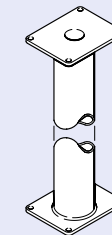


Empty casings - IP66

Casing	Protection devices	Colour	Pack qty.	Cat. no.
For 3-way units	(6 DIN)		1/4	625.3500-000
For 4-way units	-		1/4	625.4500-000

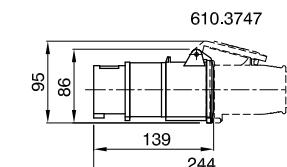
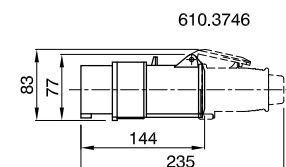
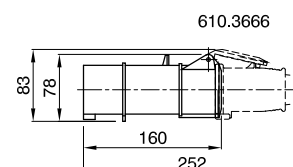
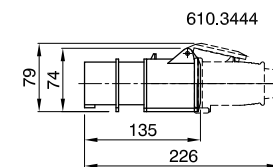


Units coupling kit
692.4342



Zinc plated steel tubular stand with earthing bolt.
692.4340 Ø 80 h 1000 mm

610.



ENCLOSURES FOR ELECTRICAL EQUIPMENT



BLOCK Series
ALUBOX Series
Accessories
EASYBOX Series
MASTERBOX Series
DOMINO Series
SCABOX Series
CUBIK Series

632. ENCLOSURES PORTABLE OR SURFACE MOUNTING - IP66



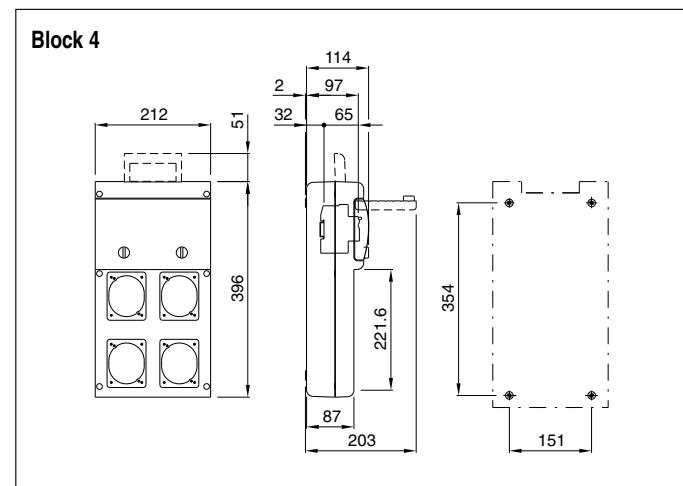
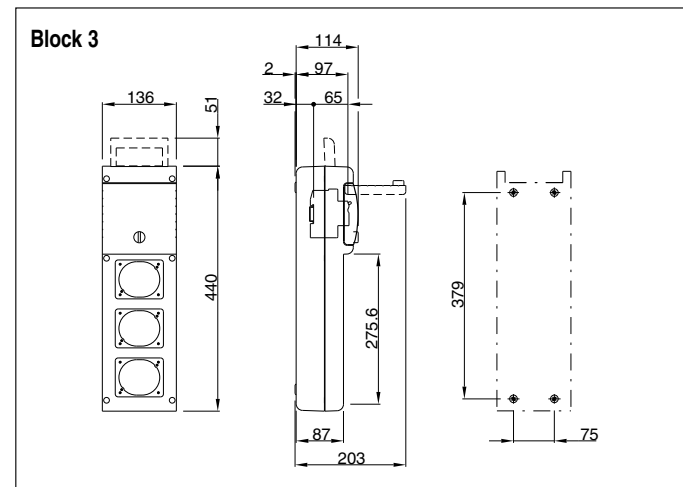
BLOCK Series

Reference standards: IEC 60670
 - Empty units

Block 1					
Description	Socket cut-outs	Dimensions	Colour	Pack qty.	Cat. no.
4 DIN	1	110x280x95 mm	■	1	632.1500-000
	NO		■	1	632.1510-000

Block 3					
Description	Socket cut-outs	Dimensions	Colour	Pack qty.	Cat. no.
6 DIN	3	136x440x105 mm	■	1	632.3500-000
	NO		■	1	632.3510-000
Blank	4	136x440x105 mm	■	1	632.3501-000
	NO		■	1	632.3511-000

Block 4					
Description	Socket cut-outs	Dimensions	Colour	Pack qty.	Cat. no.
10 DIN	4	212x415x105 mm	■	1	632.4500-000
	NO		■	1	632.4510-000



653. ALUMINIUM JUNCTION BOXES

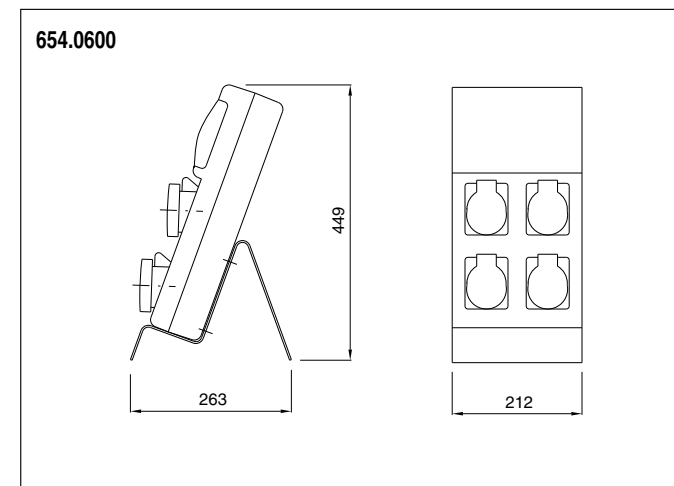


ALUBOX Series

Reference standards: IEC 60670

Enclosures - IP66			
External dimensions (mm)	Colour	Pack qty.	Cat. no.
100x100x56	■	1/32	653.00
140x115x160	■	1/24	653.01
166x142x65	■	1/16	653.02
198x169x80	■	1/12	653.03
254x218x92	■	1/6	653.04
315x264x122	■	1/2	653.05
410x315x150	■	1	653.07

Mounting plates			
For enclosure (mm)	Colour	Pack qty.	Cat. no.
140x115	■	1/8	653.011
166x142	■	1/8	653.012
198x169	■	1/6	653.013
254x218	■	1/6	653.014
315x264	■	1	653.015
410x315	■	1	653.017



654. KIT ACCESSORIES



Suitable for the SCAME enclosures

Kit for MASTERBOX cabinets			
Description	Colour	Pack qty.	Cat. no.
kit accessories	■	10	654.0001
fuse tester	■	1/12	654.0010

Wall mounting brackets kit			
Description	Colour	Pack qty.	Cat. no.
for DOMINO IP66 and IP40 (4 pieces)	■	10	654.0020
for SCABOX	■	10	654.0021

Cover sealing (2 pieces)			
Description	Colour	Pack qty.	Cat. no.
for DOMINO IP66	■	25	654.0030
for SCABOX 100x100-120x80-150x110	■	25	654.0031
for SCABOX 190x140-240x190-300x220-380x300 and ADVANCE	■	25	654.0032
for DOMINO IP40 surface mounting	■	25	654.0033

Connection Kit				
Description	Colour	Pack qty.	Cat. no.	
for DOMINO IP66 - PG36 (3 couplers, 3 nuts and 6 seals)	■	25	654.0040	
lateral	12-24 DIN	■	6	654.0041
	18-36-54 DIN	□	6	654.0041B
for DOMINO IP40 surface mounting	18-36-54 DIN	■	6	654.0042
	12-24 DIN	□	6	654.0042B
	12-24 DIN	■	6	654.0043
	18-36-54 DIN	□	6	654.0043B
vertical	18-36-54 DIN	■	6	654.0044
	18-36-54 DIN	□	6	654.0044B
for DOMINO IP40 flush mounting	■	6	654.0045	

Aluminium plate for 2-3-5 way adaptors				
Description	Flange	Colour	Pack qty.	Cat. no.
for compressed air hose attachment	50 x 60 mm	■	10	654.0050

Handle Kit			
Description	Colour	Pack qty.	Cat. no.
for DOMINO IP66	■	10	654.0060

Yale lock kit		
Description	Pack qty.	Cat. no.
for DOMINO IP55	10	654.0070
for MASTERBOX (2 pieces)	10	654.0071
for DOMINO IP40	10	654.0072
for MASTERBOX/ADVANCE ▲	10	654.0073

Sealing caps

Description	Colour	Pack qty.	Cat. no.
for SCABOX (12 pieces)		10/100	654.0080

Hinges Kit

Description	Pack qty.	Cat. no.
for SCABOX (3 pieces)	1/20	654.0085

Ridged profile for DIN rail

Description	Colour	Pack qty.	Cat. no.
h=18mm (320mm strip)		20	654.0090

Blank plate for panel cut outs

Flange	Colour	Pack qty.	Cat. no.
70x67mm - IP55 for IEC309 and for EUREKA		25	654.0100
136x125mm - IP55 for OMNIA		6	654.0120

Safety toroidal transformer

Description	Pack qty.	Cat. no.
for BLOCK 150VA	1	654.0205
300VA	1	654.0207
for DOMINO 150VA	1	654.0210
300VA	1	654.0220

**Terminal block kit for DOMINO distribution boards
Terminal block incorporated in a single support - IP20**

Description	Pack qty.	Cat. no.
earth/neutral 2x(3x35mm ² and 10x16mm ²) IP66: 16/32/48/64DIN IP40 surface: 12/24 DIN - IP40 recessed: 12/24/18/36/54 DIN	10	654.0320
earth/neutral 2x(3x35mm ² and 10x16mm ²) IP66: 12/24DIN - IP40 surface: 8 DIN - IP40 recessed: 8 DIN	10	654.0322
earth/neutral 2x(3x35mm ² and 10x16mm ²) IP66: 8 DIN	10	654.0324
earth/neutral 2x(3x35mm ² and 10x16mm ²) IP40 surface 18/36/54 DIN	10	654.0326
live 3x(2x35mm ² and 6x16mm ²) IP66: 16/32/48/64DIN IP40 surface: 12/24 DIN - IP40 recessed: 12/24/18/36/54 DIN	10	654.0330
live 3x(2x35mm ² and 6x16mm ²) IP40 surface: 18/36/54 DIN	10	654.0336

**Terminal block kit for DOMINO distribution boards
Terminal block without insulating support - IP00**

Description	Pack qty.	Cat. no.
earth/neutral 1x(5x10mm ² and 5x16mm ²) IP40 recessed: 8/12/24/18/36/54 DIN	10	654.0349

**Terminal block kit for DOMINO distribution boards
Terminal block with connection for DIN rail - IP20**

Description	Pack qty.	Cat. no.
live/earth/neutral 1x(5x10mm ² and 5x16mm ²) Vertical	10	654.0358
Horizontal	10	654.0359

**Terminal block kit for DOMINO distribution boards
Modular insulated terminal block - IP20**

Description	Pack qty.	Cat. no.
earth/neutral 1x(5x10mm ² and 5x16mm ²) additional terminal block	10	654.0360
earth/neutral 1x(5x10mm ² and 5x16mm ²) IP66: 12/24DIN - IP40 surface: 8 DIN	10	654.0361
earth/neutral 1x(5x10mm ² and 5x16mm ²) IP66: 16/32/48/64DIN - IP40 surface: 12/24 DIN	10	654.0362
earth/neutral 1x(5x10mm ² and 5x16mm ²) IP66: 8DIN	10	654.0363
earth/neutral 1x(5x10mm ² and 5x16mm ²) IP40 surface: 18/36/54 DIN	10	654.0364

Blank plate for DIN modules

Description	Pack qty.	Cat. no.
4 DIN 70x55mm	25	654.0400
	25	654.0400B
1 DIN 17,5x55mm to fix onto DIN rail	25	654.0410
1/2 DIN 9x55mm	25	654.0420

Distribution assemblies stand

Description	Pack qty.	Cat. no.
for BLOCK 4	2	654.0600
for DOMINO/OMNIA	1	654.0610

Zinc-coated steel mounting plate

Description	Pack qty.	Cat. no.
for DOMINO IP66 module 150	1/10	654.0700
module 250	1/10	654.0710
190x140mm	1/10	654.0787
for SCABOX 240x190mm	1/10	654.0788
300x220mm	1/10	654.0789
380x300mm	1/10	654.0790
460x380mm	1/10	654.0791

EN 50022 DIN rail vertically adjustable

Description	Width	Pack qty.	Cat. no.
for DOMINO IP66 16 DIN	295 mm	10	654.0750
for DOMINO IP66 12 DIN		10	654.0751

655. WATER-TIGHT CABINETS - IP65



EASYBOX Series
Reference standards: IEC 60670 - EN 50298

Enclosures - Thermoplastic alloy (LT)

Description	Type	Dimensions	Pack qty.	Cat. no.
base	1	320x370mm	1	655.001 0
	2	460x370mm	1	655.002 0
	3	460x520mm	1	655.003 0
	4	460x670mm	1	655.004 0
	5	750x670mm	1	655.005 0
plain	1	320x370mm	1	655.001 1
	2	460x370mm	1	655.002 1
	3	460x520mm	1	655.003 1
	4	460x670mm	1	655.004 1
	5	750x670mm	1	655.005 1
door	1	320x370mm	1	655.001 2
	2	460x370mm	1	655.002 2
	3	460x520mm	1	655.003 2
	4	460x670mm	1	655.004 2
	5	750x670mm	1	655.005 2

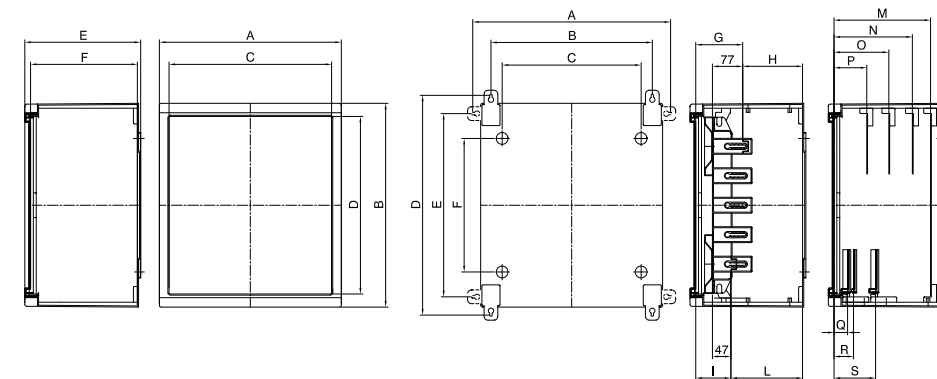
Enclosures - Varnished metal (MV)

Description	Type	Dimensions	Pack qty.	Cat. no.
base	1	320x370mm	1	655.011 0
	2	460x370mm	1	655.012 0
	3	460x520mm	1	655.013 0
	4	460x670mm	1	655.014 0
	5	750x670mm	1	655.015 0
plain	1	320x370mm	1	655.011 1
	2	460x370mm	1	655.012 1
	3	460x520mm	1	655.013 1
	4	460x670mm	1	655.014 1
	5	750x670mm	1	655.015 1
door	1	320x370mm	1	655.011 2
	2	460x370mm	1	655.012 2
	3	460x520mm	1	655.013 2
	4	460x670mm	1	655.014 2
	5	750x670mm	1	655.015 2

Enclosures - Stainless steel (AI)

Description	Type	Dimensions	Pack qty.	Cat. no.
base with blank door already mounted	1	320x370mm	1	655.0210 1
	2	460x370mm	1	655.0220 1
	3	460x520mm	1	655.0230 1
	4	460x670mm	1	655.0240 1
	5	750x670mm	1	655.0250 1

655. - LT cabinets



FASTENINGS, DIN RAILS, PLATES AND INNER DOORS

	Mis. 1	Mis. 2	Mis. 3	Mis. 4	Mis. 5
A	364	504	504	504	775
B	271	411	411	411	683
C	214	354	354	354	610
D	410	410	560	710	743
E	316	316	466	616	652
F	190	190	340	490	470
G	120	120	120	120	128
H	72	103	103	103	182
I	90	90	90	90	98
L	102	133	133	133	212
M	166	196	196	196	280
N	125	140	140	140	220
O	-	-	-	-	161
P	83	83	83	83	102
Q	34	34	34	34	47
R	49	49	49	49	62
S	-	105	105	105	105

EXTERNAL AND INTERNAL SIZE

	Mis. 1	Mis. 2	Mis. 3	Mis. 4	Mis. 5
A	324	464	464	464	755
B	370	370	520	670	714
C	274	414	414	414	685
D	302	302	452	602	600
E	210	245	245	245	345
F	192	222	222	222	310

Mounting plate - Isolated

Description	Type	Dimensions	Pack qty.	Cat. no.
Isolated	1	267x294mm	1	655.001 4
	2	407x294mm	1	655.002 4
	3	407x444mm	1	655.003 4
	4	407x594mm	1	655.004 4
	5	679x633mm	1	655.005 4

Mounting plate - Metal

Description	Type	Dimensions	Pack qty.	Cat. no.
Metal	1	320x370mm	1/4	655.001 5
	2	460x370mm	1/4	655.002 5
	3	460x520mm	1/2	655.003 5
	4	460x670mm	1/2	655.004 5
	5	750x670mm	1	655.005 5
"bars up"	5	750x670mm	1	655.005 50

Internal door

Description	Type	Dimensions	Pack qty.	Cat. no.
standard	1	320x370mm	1/8	655.001 6
	2	460x370mm	1/9	655.002 6
	3	460x520mm	1/9	655.003 6
	4	460x670mm	1/9	655.004 6
	5	750x670mm	1	655.005 6
"bars up"	5	750x670mm	1	655.005 60

Chassis

Description	Type	Dimensions	Pack qty.	Cat. no.
upright (in pairs)	1 - 2	320x370-460x370mm	1/8	655.001 9
	3	460x520mm	1/10	655.003 9
	4 - 5	460x670-750x670mm	1/10	655.005 9

DIN rail

Description	Type	Dimensions	Pack qty.	Cat. no.
1 module	M320	base 320mm	1/10	655.320 10
	M460	base 460mm	1/18	655.460 10
	M750	base 750mm	1	655.750 10

Modular plates

Description	Type	Dimensions	Pack qty.	Cat. no.
1 module	M320	base 320mm	1/8	655.320 11
	M460	base 460mm	1/8	655.460 11
	M750	base 750mm	1	655.750 11
2 module	M320	base 320mm	1/4	655.320 12
	M460	base 460mm	1/4	655.460 12
	M750	base 750mm	1	655.750 12

Panel with DIN vent-hole

Description	Type	Dimensions	Pack qty.	Cat. no.
1 module	M320	base 320mm	1/5	655.320 20
	M460	base 460mm	1/4	655.460 20
	M750	base 750mm	1	655.750 20

Plain panel

Description	Type	Dimensions	Pack qty.	Cat. no.
1 module	M320	base 320mm	1/8	655.320 21
	M460	base 460mm	1/10	655.460 21
	M750	base 750mm	1	655.750 21
1/2 module	M320	base 320mm	1/10	655.320 22
	M460	base 460mm	1/10	655.460 22
	M750	base 750mm	1	655.750 22
1/4 module	M750	base 750mm	1	655.750 23

Panel for moulded-case circuit breaker

Description	Type	Dimensions	Pack qty.	Cat. no.
1 module	M320	base 320mm	1/5	655.320 24
	M460	base 460mm	1/4	655.460 24
	M750	base 750mm	1	655.750 24

Internal door panel

Description	Type	Dimensions	Pack qty.	Cat. no.
2 modules	M460	base 460mm	1/9	655.460 25

Pole fixing

Description	Type	Dimensions	Pack qty.	Cat. no.
max Ø 300mm	M320	base 320mm	1/3	655.320 90
	M460	base 460mm	1/3	655.460 90
	M750	base 750mm	1	655.750 90

Accessories

Description	Colour	Pack qty.	Cat. no.
key kit (pair)	grey	1/10	655.910
	tinted	1/10	655.911
padlocking kit	grey	1/10	655.920
additional brackets kit		1/10	655.930
ventilation kit		1	655.950
document holder		1/10	655.960
metal wall/surface mounting brackets		10	655.970

665. CABINETS FOR CONSTRUCTION SITE - IP66

MASTERBOX 3 Series
Reference standards: IEC 60670

Empty cabinets

Description	Colour	Pack qty.	Cat. no.
cabinet stand	■	1	665.4000
cabinet with open bottom panel	■	13 DIN	665.4020-000
cabinet with blank bottom panel	■	13 DIN	665.4021-000

666. CABINETS FOR CONSTRUCTION SITE - IP66

MASTERBOX 5 Series
Reference standards: IEC 60670

Empty cabinets

Description	Colour	Pack qty.	Cat. no.
cabinet with open bottom panel	■	13+13 DIN	666.4030-000
cabinet with blank bottom panel	■	13+13 DIN	666.4031-000

655. - MV and AI cabinets

FASTENINGS, DIN RAILS, PLATES AND INNER DOORS

	Mis. 1	Mis. 2	Mis. 3	Mis. 4	Mis. 5
A	196	336	336	336	
B	408	408	558	708	
C	348	348	498	648	
D	74	104	104	104	
E	104	134	134	134	
F*	177	192	192	192	
G*	121	136	136	136	
H*	-	102	102	102	

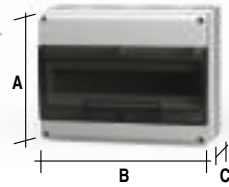
EXTERNAL AND INTERNAL SIZE

	Mis. 1	Mis. 2	Mis. 3	Mis. 4	Mis. 5
A	314	454	454	454	740
B	370	370	520	670	670
C	274	414	414	414	
D	302	302	452	602	
E	200	230	230	230	
F*	190	220	220	220	
G	123	223	223	223	

665. - 666.

Stand

672. CONSUMER UNITS - IP66



DOMINO Series

Reference standards: IEC 60670



Consumer units

Description	AxBxC (mm)	Pack qty.	Cat. no.
M135 2 DIN	135x76x102	1/24	• 672.2002
M190 4 DIN	190x112x106	1/16	• 672.2004
M190 8 DIN	190x184x106	1/10	• 672.2008
M250 12 DIN	250x256x140	1/9	• 672.2012
M250 16 DIN	250x328x140	1/6	• 672.2016
M400 24 DIN (12x2)	400x256x140	1/6	• 672.4024
M400 32 DIN (16x2)	400x328x140	1/4	• 672.4032
M550 48 DIN (16x3)	550x328x140	1/3	• 672.5048
M700 64 DIN (16x4)	700x328x140	1	• 672.7064



Enclosures with blank front panel

Description	Socket cutouts	AxBxC (mm)	Pack qty.	Cat. no.
M150 -	-	150x328x140	1/6	• 672.1100
M190 8 DIN	-	337x184x106	# 1/10	672.2100
				672.UK2100
M250 12 DIN	-	400x256x140	1/6	672.3100
			# 1/6	672.UK3100
M400 16 DIN	-	400x328x140	4	• 672.4116
M550 16 DIN	-	550x328x140	1/3	• 672.5116

Metric thread cable inlet.



Enclosures with OMNIA Series cutouts

Description	Socket cutouts	AxBxC (mm)	Pack qty.	Cat. no.
M150 -	2	150x328x140	1/6	• 672.1200
M190 8 DIN	1	337x184x106	1/10	672.2200
	#		1/10	672.UK2200
M250 12 DIN	1	400x256x140	1/6	• 672.3200
	#		1/6	672.UK3200
M400 16 DIN	2	400x328x140	1/4	672.4216
M550 16 DIN	4	550x328x140	1/3	672.5316
			1/4	672.5416

Metric thread cable inlet.

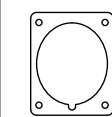


Enclosures with IEC 309 or EUREKA Series cutouts

Description	Socket cutouts	AxBxC (mm)	Pack qty.	Cat. no.
M150 -	3 (16/32A)	150x328x140	1/6	• 672.1300
			1/10	672.2300
M190 8 DIN	2 (16A)	337x184x106	# 1/10	672.UK2300
			1/10	• 672.2301
	1 (32A)	337x184x106	# 1/10	• 672.UK2301
			1/6	672.3300
M250 12 DIN	2 (16/32A)	400x256x140	# 1/6	672.UK3300
			1/6	672.3302
	1 (63A)	400x256x140	# 1/6	672.UK3302
M400 16 DIN	3 (16/32A)	400x328x140	1/4	672.4316
M550 16 DIN	6 (16/32A)	550x328x140	1/3	672.5616

Metric thread cable inlet.

IEC309 and EUREKA Series



Socket cutouts

16A = 70x87mm
32A = 84x106mm
63A = 100x110mm

673. CONSUMER UNITS - IP40



DOMINO Series

Reference standards: IEC 60670



With windows

Description	AxBxC (mm)	Base	Window	Pack qty.	Cat. no.
M4 8+1 DIN (8+1)	190x254x108	■	■	1/12	• 673.2008
		□	■	1/12	• 673.2008B
		□	+	1/10	673.2008B.2012
		□	□	1/12	673.2008B.2010
M12 12+1 DIN (12+1)	250x326x108	■	■	1/7	• 673.2012
		□	■	1/7	• 673.2012B
		□	+	1/6	673.2012B.2012
		□	□	1/7	673.2012B.2010
M18 18+1 DIN (18+1)	250x434x140	■	■	1/6	• 673.2018
		□	■	1/6	• 673.2018B
		□	+	1	673.2018B.2012
		□	□	1/6	673.2018B.2010
M12 24+4 DIN (12+2)	400x326x108	■	■	1/5	• 673.4024
		□	■	1/5	• 673.4024B
		□	+	1	673.4024B.2012
		□	□	1/5	673.4024B.2010
M18 36+4 DIN (18+2)	400x434x140	■	■	1/4	• 673.4036
		□	■	1/4	• 673.4036B
		□	+	1	673.4036B.2012
		□	□	1/4	673.4036B.2010
M18 54+5 DIN (18+2)	550x434x140	■	■	1/2	• 673.5054
		□	■	1/2	• 673.5054B
		□	+	1	673.5054B.2012
		□	□	1/2	673.5054B.2010

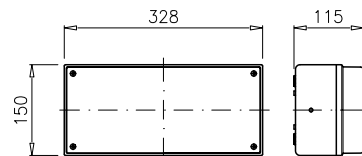


Without windows

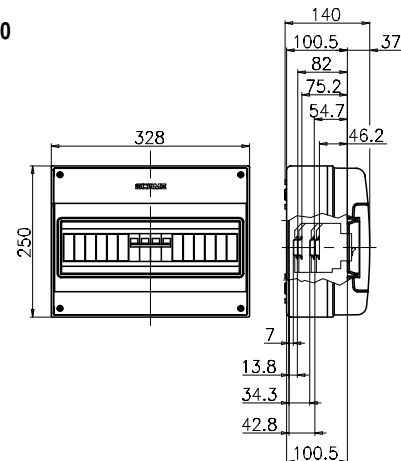
Description	AxBxC (mm)	Base	Pack qty.	Cat. no.
M4 2/4 DIN	130x97x84	■	1/36	• 673.2102
		□	1/36	• 673.2102B
M4 4+1/2 DIN (4+1/2)	190x135x108	■	1/24	• 673.2104
		□	1/24	• 673.2104B
M4 8+2 DIN (8+2)	190x254x108	■	1/12	• 673.2108
		□	1/12	• 673.2108B
		+	1/10	673.2108B.0012
		■	1/7	• 673.2112
M12 12+2 DIN (12+2)	250x326x108	□	1/7	• 673.2112B
		+	1/6	673.2112B.0012
		■	1/6	• 673.2118
M18 18+2 DIN (18+2)	250x434x140	□	1/6	• 673.2118B
		+	1	673.2118B.0012
M12 24+4 DIN (12+2)	400x326x108	■	1/5	• 673.4124
		□	1/5	• 673.4124B
		□	1	673.4124B.0012
M18 36+4 DIN (18+2)	400x434x140	■	1/4	• 673.4136
		□	1/4	• 673.4136B
		+	1	673.4136B.0012
		■	1/2	• 673.5154
M18 54+6 DIN (18+2)	550x434x140	□	1/2	• 673.5154B
		+	1	673.5154B.0012

NOTE: ■ Grey base / tinted windows
□ White base / white windows
+ White base / white windows + single package + 2 terminal blocks

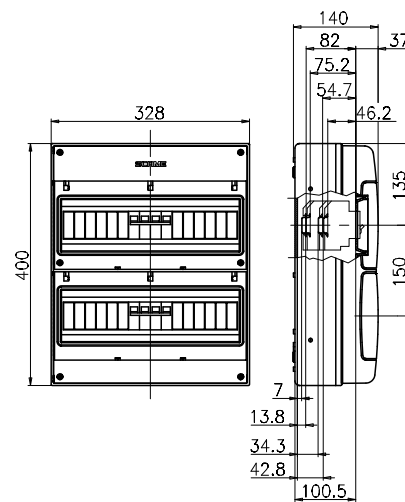
672. MODULE 150



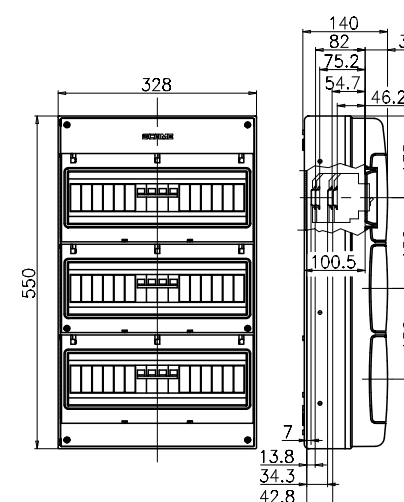
672. MODULE 250



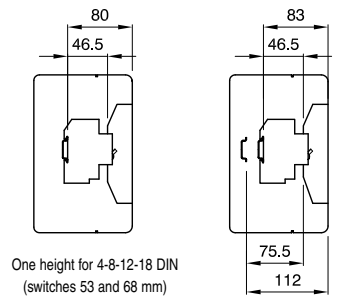
672. MODULE 400



672. MODULE 550

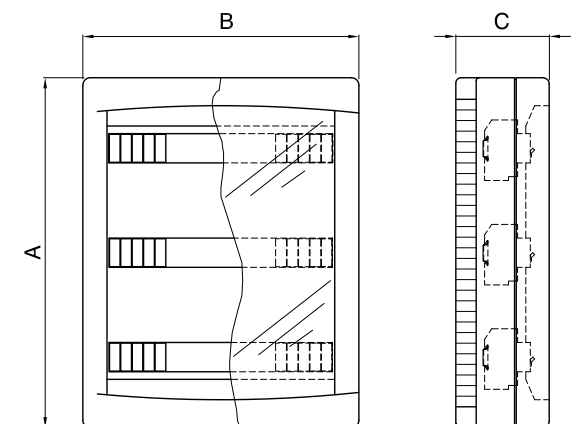


673.



One height for 4-8-12-18 DIN (switches 53 and 68 mm)

Two heights for 24-36-54 DIN (switches 53-68mm and boxed items)



674. CONSUMER UNITS - IP66 MODULE COMPONENTS



DOMINO Series

Reference standards: IEC 60670
- Dimension (Base+cover)= 150x328x140mm

Components		
Description	Pack qty.	Cat. no.
M150 base	1/6	674.1000
blank	1/6	674.1100
cover with 2 OMNIA Series cut-outs	1/6	674.1200
with 3 IEC309 or EUREKA Series cut-outs	1/6	674.1300

675. FLUSH MOUNTING CONSUMER UNITS - IP40



DOMINO Series

Reference standards: IEC 60670

With windows					
Description	AxBxC (mm)	Cover Window	Pack qty.	Cat. no.	
M4 8+1 DIN (8+1)	210X254X75		1/10	675.2008	
			1/10	675.2008B	
			1/6	675.2008B.2012	
			1/10	675.2008B.2010	
			1/7	675.2012	
M12 12+1 DIN (12+1)	270X326X75		1/7	675.2012B	
			1/6	675.2012B.2012	
			1/7	675.2012B.2010	
			1/7	675.2018	
M18 18+1 DIN (18+1)	270X434X75		1/7	675.2018B	
			1	675.2018B.2012	
			1/7	675.2018B.2010	
M4 4+1/2 DIN (4+1/2)	(*) 180X150X75		1/38	675.2104	
			1/38	675.2104B	
			1/5	675.4024	
M12 24+4 DIN (12+2)	420X326X95		1/5	675.4024B	
			1	675.4024B.2012	
			1/5	675.4024B.2010	
			1/3	675.4036	
M18 36+4 DIN (18+2)	420X434X95		1/3	675.4036B	
			1	675.4036B.2012	
			1/3	675.4036B.2010	
			1/2	675.5054	
M18 54+3 DIN (18+1)	570X434X95		1/2	675.5054B	
			1	675.5054B.2012	
			1/2	675.5054B.2010	

NOTE: Grey base / tinted windows
 White base / white windows
 White base / white windows + single package + 2 terminal blocks

(*) Without window.

680. SURFACE MOUNTING JUNCTION BOXES - IP44



SCABOX Series

Reference standards: IEC 60670
- With press-fit cover

Box with cable sleeves				
Dimensions	No. of inlets for	Colour	Pack qty.	Cat. no.
Ø 65x35mm	4 - Ø 23mm (PG16)		4/100	680.001
Ø 80x40mm	4 - Ø 23mm (PG16)		4/100	680.002
80x80x40mm	6 - Ø 23mm (PG16)		4/60	680.003

685. SURFACE MOUNTING JUNCTION BOXES - IP55



SCABOX Series

Reference standards: IEC 60670
- With screw-down cover

Box with cable sleeves				
Dimensions	No. of inlets for	Colour	Pack qty.	Cat. no.
100x100x50mm	6 - Ø 29mm (PG21)		1/48	685.004
120x80x50mm	6 - Ø 29mm (PG21)		1/54	685.005
150x110x70mm	10 - Ø 29mm (PG21)		1/40	685.006
190x140x70mm	10 - Ø 38mm (PG29)*		1/24	685.007
240x190x90mm	12 - Ø 38mm (PG29)* ▲		1/12	685.008
300x220x120mm	12 - Ø 38mm (PG29)* ▲		1/6	685.009
380x300x120mm	12 - Ø 48mm (PG36)* ▲		1/4	685.010
460x380x130mm	14 - Ø 48mm (PG36)* ▲		1	685.011

* Take mounting brackets.
▲ Suitable for hinges mounting.

686. SURFACE MOUNTING JUNCTION BOXES - IP56



SCABOX Series

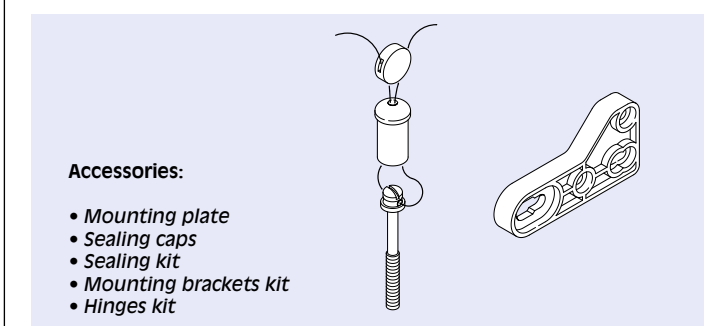
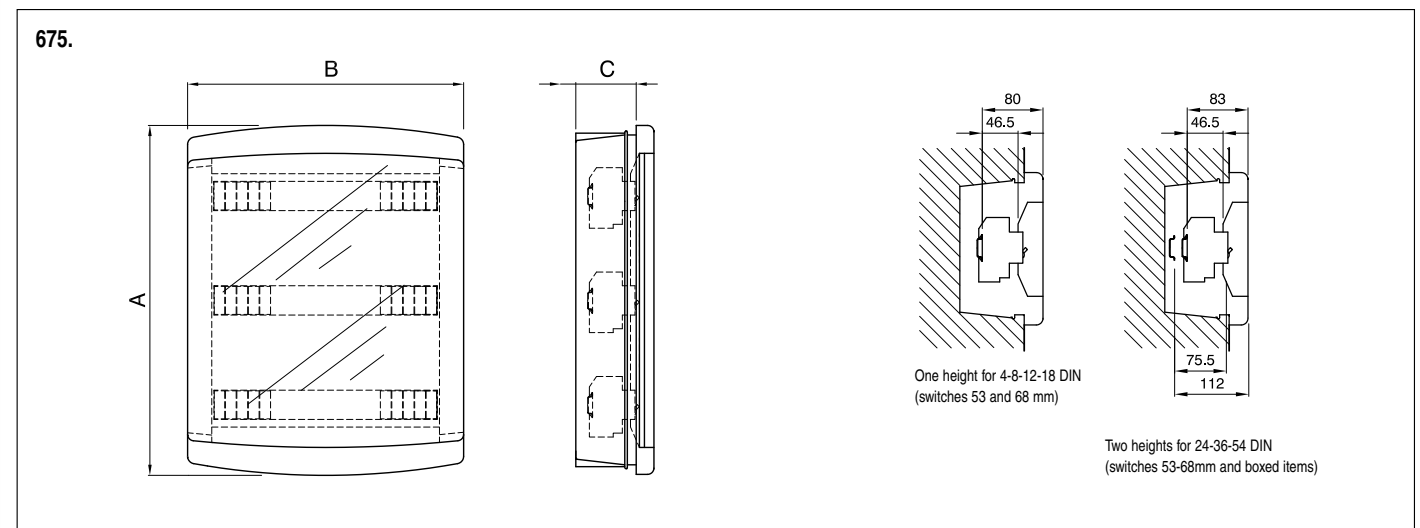
Reference standards: IEC 60670
- With screw-down cover

Box with blank sides				
Dimensions	Colour	Pack qty.	Cat. no.	
100x100x50mm		1/40	686.204	
120x80x50mm		1/42	686.205	
150x110x70mm		1/48	686.206	
190x140x70mm*	blank cover	1/30	686.207	
240x190x90mm* ▲		1/16	686.208	
300x220x120mm* ▲		1/8	686.209	
380x300x120mm* ▲		1/4	686.210	
452x372x120mm* ▲		1	686.211	
100x100x50mm		1/40	686.224	
120x80x50mm		1/42	686.225	
150x110x70mm		1/48	686.226	
190x140x70mm*	clear cover	1/30	686.227	
240x190x90mm* ▲		1/16	686.228	
300x220x120mm* ▲		1/8	686.229	
380x300x120mm* ▲		1/4	686.230	
452x372x120mm* ▲		1	686.231	

* Take mounting brackets.
▲ Suitable for hinges mounting.

Higher box with blank sides				
Dimensions	Colour	Pack qty.	Cat. no.	
100x100x80mm		1/24	686.404	
240x190x125mm*	blank cover	1/6	686.408	
300x220x170mm*		1/6	686.409	
380x300x170mm* ▲		1/3	686.410	
452x372x170mm* ▲		1	686.411	
100x100x80mm		1/24	686.424	
240x190x125mm*		1/6	686.428	
300x220x170mm*	clear cover	1/6	686.429	
380x300x170mm*		1/3	686.430	
452x372x170mm* ▲		1	686.431	

* Take mounting brackets.
▲ Suitable for hinges mounting.



687.
JUNCTION BOXES FOR
ELECTRIC INSTALLATIONS - IP55



CUBIK Series

Reference standards: IEC 60670
- Glow wire 650°C halogen free

With cable sleeve				
Dimensions	No. of inlets	Colour	Pack qty.	Cat. no.
Ø 65x40mm	4 - Ø 23mm	■	4/100	687.001
Ø 80x40mm	4 - Ø 23mm	■	4/100	687.002
80x80x40mm	7 - Ø 23mm	■	4/60	687.003
100x100x50mm	7 - Ø 29mm	■	1/48	687.004
120x80x50mm	6 - Ø 29mm	■	1/54	687.005
150x110x70mm	10 - Ø 29mm	■	1/40	687.006

With blank sides			
Dimensions	Colour	Pack qty.	Cat. no.
100x100x50mm	■	1/40	687.204
120x80x50mm	■	1/42	687.205
150x110x70mm	■	1/48	687.206

688.
JUNCTION BOXES FOR
ELECTRIC INSTALLATIONS - IP55

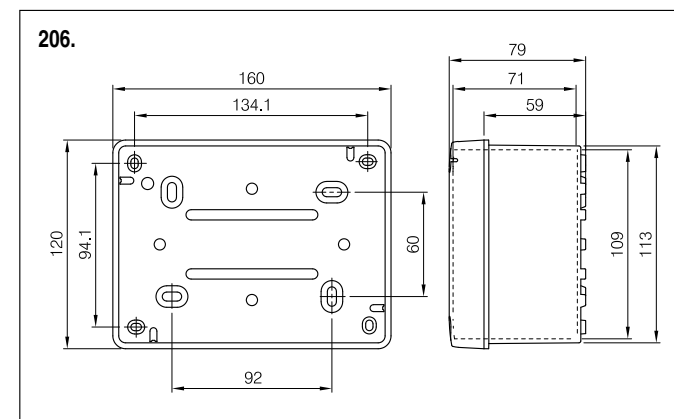
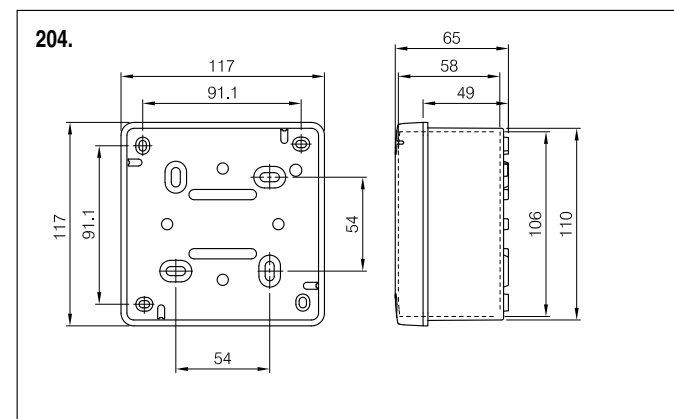
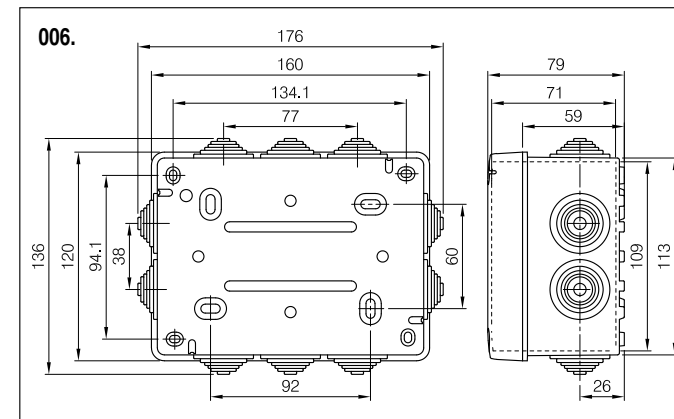
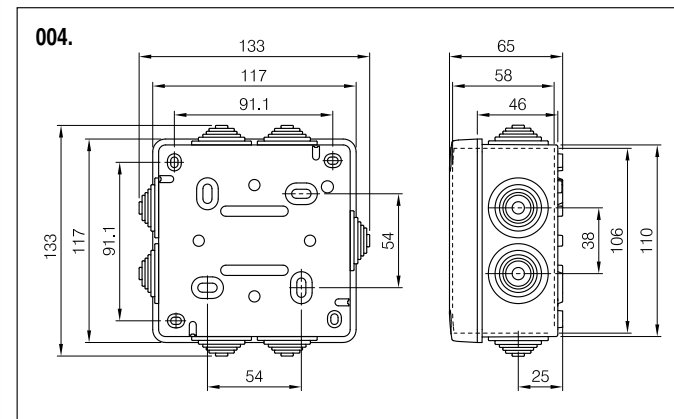


CUBIK Series

Reference standards: IEC 60670
- Glow wire 960°C

With cable sleeve				
Dimensions	No. of inlets	Colour	Pack qty.	Cat. no.
Ø 65x40mm	4 - Ø 23mm	■	4/100	688.001
Ø 80x40mm	4 - Ø 23mm	■	4/100	688.002
80x80x40mm	7 - Ø 23mm	■	4/60	688.003
		■	4/60	688.003.R
100x100x50mm	7 - Ø 29mm	■	1/48	688.004
		■	1/48	688.004.R
120x80x50mm	6 - Ø 29mm	■	1/54	688.005
		■	1/54	688.005.R
150x110x70mm	10 - Ø 29mm	■	1/40	688.006

With blank sleeve			
Dimensions	Colour	Pack qty.	Cat. no.
100x100x50mm	■	1/40	688.204
	■	1/40	688.204.R
120x80x50mm	■	1/42	688.205
	■	1/42	688.205.R
150x110x70mm	■	1/48	688.206



6. CABLE REELS



TRIS Series
ROLLER 450 Series
ROLLER 330 Series
ROLLER-BLOCK 450 Series
AUTOROLLER Series

707.
CABLE REELS FOR DOMESTIC USE
WITHOUT THERMAL CUT-OUT



TRIS Series

Reference standards: IEC 61242 (LV version)

TV versions						
Plug	Tris	Cable	Length	Colour	Pack qty.	Cat. no.
Ø 9,5	150	coaxial	10m	■	1/12	707.2110
			15m	■	1/12	707.2115

Low voltage version						
Sockets	Tris	Cable	Length	Colour	Pack qty.	Cat. no.
2x10A-2P	190	2x1	5m	■	1/12	707.2405
			10m	■	1/6	707.3410
			15m	■	1/6	707.3415
4x16A-2P++ French	190	3x1,5	20m	■	1/6	707.4420
			10m	■	1/6	707.3810
			20m	■	1/6	707.4820
4x16A-2P++ German	190	3x1,5	10m	■	1/6	707.3910
			20m	■	1/6	707.4920

Available until stocks are exhausted.

709.
CABLE REELS FOR DOMESTIC USE
WITH THERMAL CUT-OUT



TRIS Series

Reference standards: IEC 61242

Low voltage version						
Sockets	Tris	Cable	Length	Colour	Pack qty.	Cat. no.
2x10A-2P	190	2x1	5m	■	1/12	709.2405
			10m	■	1/6	709.3410
			15m	■	1/6	709.3415
4x16A-2P++ French	190	3x1,5	20m	■	1/6	709.4420
			10m	■	1/12	709.3810
			20m	■	1/6	709.4820
4x16A-2P++ German	190	3x1,5	10m	■	1/6	709.3910
			20m	■	1/6	709.4920
	230		20m	■	1/6	709.4921*

* With luminous switch instead of thermal switch.

745. CABLE REELS FOR INDUSTRIAL USE

ROLLER 450 Series

Reference standards: IEC 61316
- Equipped with H07RN-F cable



IP44 - with 4 sockets and thermal over load switch

Sockets 16A	Voltage	Cable	Length	Colour	Pack qty.	Cat. no.
2x2P++ + 2x3P++					1	745.3005-003
2x2P++ + 2x3P+N++	400	5x2,5	30m		1	745.3005-006
3x2P++ + 1x3P++					1	745.3005-008
4x2P++	230	3x2,5			1	745.3005-012
4x3P++	400	4x2,5	50m		1	745.3005-013
4x3P+N++		5x2,5			1	745.3005-016
2x2P++ + 2x3P++					1	745.5005-003
2x2P++ + 2x3P+N++	400	5x2,5	30m		1	745.5005-006
3x2P++ + 1x3P++					1	745.5005-008
4x2P++	230	3x2,5			1	745.5005-012
4x3P++	400	4x2,5	50m		1	745.5005-013
3x2P++ + 1x3P+N++						1
4x3P+N++		5x2,5			1	745.5005-019

IP44 - with protection devices and 250/24V- transformer unit - SELV

Sockets	Voltage	Cable	Length	Colour	Pack qty.	Cat. no.
3x32A-2P	24V-	2x1	30m		1	745.3009-361
			50m		1	745.5009-361



IP55 - with 4 sockets and thermal over load switch

Sockets 16A	Voltage	Cable	Length	Colour	Pack qty.	Cat. no.
2x2P++ + 2x3P++					1	745.3505-003
2x2P++ + 2x3P+N++	400	5x2,5	30m		1	745.3505-006
3x2P++ + 1x3P++					1	745.3505-008
4x2P++	230	3x2,5			1	745.3505-012
4x3P++	400	4x2,5	50m		1	745.3505-013
4x3P+N++		5x2,5			1	745.3505-016
2x2P++ + 2x3P++					1	745.5505-003
2x2P++ + 2x3P+N++	400	5x2,5	30m		1	745.5505-006
3x2P++ + 1x3P++					1	745.5505-008
4x2P++	230	3x2,5			1	745.5505-012
4x3P++	400	4x2,5	50m		1	745.5505-013
3x2P++ + 1x3P+N++						1
4x3P+N++		5x2,5			1	745.5505-019



IP55 - with interlocked-switch socket and thermal over load switch

Sockets	Voltage	Cable	Length	Colour	Pack qty.	Cat. no.
16A-2P++	230	3x2,5	30m		1	745.3515-350
16A-3P++		4x2,5			1	745.3515-351
16A-3P+N++	400	5x2,5			1	745.3515-352
32A-3P++	400	4x4	50m		1	745.3515-353
32A-3P+N++		5x4			1	745.3515-354
32A-2P++	230	3x4			1	745.3515-355
16A-2P++	400	3x2,5	50m		1	745.5515-350
16A-3P++		4x2,5			1	745.5515-351
16A-3P+N++		5x2,5			1	745.5515-352

746. CABLE REEL FOR DOMESTIC OR INDUSTRIAL USE

ROLLER 330 Series



4 socket outlets - IP20

Sockets	Plug	Cable	Length	Colour	Pack qty.	Cat. no.
4x16A-2P++ P30	FRENCH GERMAN 230V	3x2,5	30m		1	746.3000-384
		3x1,5	40m		1	746.3005-384*
	FRENCH GERMAN 230V	3x2,5	30m		1	746.3000-349
		3x1,5	40m		1	746.3005-349*

* Thermal overload switch.



2 socket outlets - IP20

Sockets	Plug	Cable	Length	Colour	Pack qty.	Cat. no.
2x16A-2P++ FRENCH	FRENCH 230V	3x2,5	30m		1	746.3000-388
		3x1,5	40m		1	746.3005-388*
	FRENCH 230V	3x2,5	30m		1	746.3000-389
		3x1,5	40m		1	746.3005-389*

* Thermal overload switch.



3 socket outlets - IP20 (*)

Sockets	Plug	Cable	Length	Colour	Pack qty.	Cat. no.
2x16A-2P++ 1x16A-2P++	IEC309 P30	IEC309 230V	3x2,5 30m		1	746.3010-056*
2x16A-3P++ 1x16A-2P++	IEC309 P30	IEC309 400V	5x2,5 20m		1	746.2010-390*
2x16A-3P+N++ 1x16A-2P++	IEC309 P30	IEC309 400V	5x2,5 20m		1	746.2010-102*

(*) Reference standards: IEC 61316.

* Thermal overload switch.



2 socket outlets - IP44

Sockets	Plug	Cable	Length	Colour	Pack qty.	Cat. no.
2x16A-2P++	IEC309 230V	3x2,5	30m		1	746.3010-077*
2x16A-3P++		4x2,5			1	746.3010-091*
2x16A-3P+N++	IEC309 400V	5x2,5	20m		1	746.2010-093*
1x16A-2P++						1

* Thermal overload switch.



2 socket outlets - IP55

Sockets	Plug	Cable	Length	Colour	Pack qty.	Cat. no.
2x16A-2P++	IEC309 230V	3x2,5	30m		1	746.3510-077*
2x16A-3P++		4x2,5			1	746.3510-091*
2x16A-3P+N++	IEC309 400V	5x2,5	20m		1	746.2510-093*
1x16A-2P++						1

* Thermal overload switch.



1 interlocked switch socket outlet - IP55

Sockets	Plug	Cable	Length	Colour	Pack qty.	Cat. no.
16A-2P++	IEC309 230V	3x2,5	30m		1	746.3512-350*
16A-3P++		4x2,5			1	746.3512-351*
16A-3P+N++	IEC309 400V	5x2,5	20m		1	746.2512-352*

* Thermal overload switch.



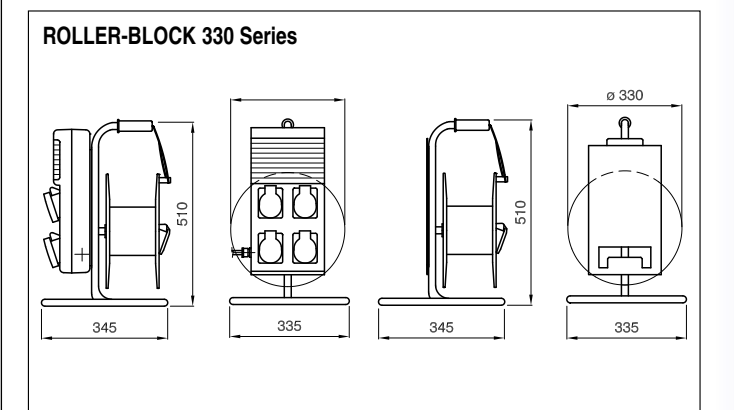
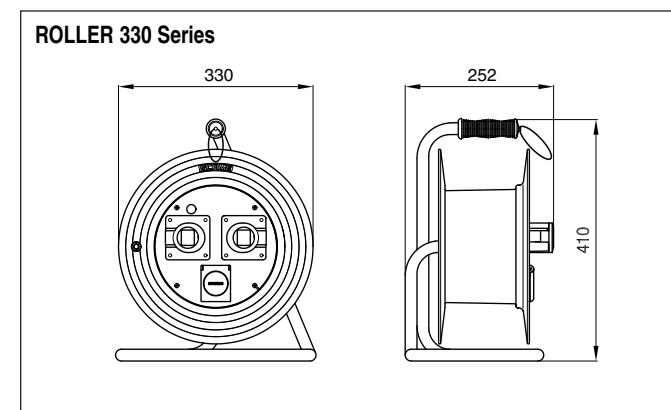
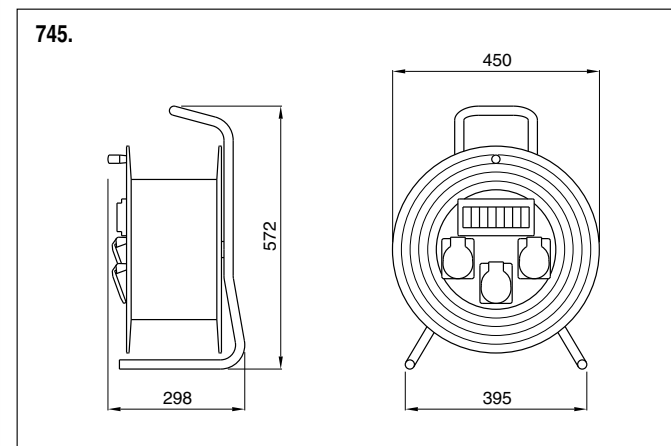
Roller-block version - IP44

Sockets	Plug	Cable	Length	Colour	Pack qty.	Cat. no.
16A-2P++	IEC309 230V	3x2,5	30m		1	746.3025-350
16A-3P++		4x2,5			1	746.3025-351
16A-3P+N++	IEC309 400V	5x2,5	20m		1	746.2025-352



Roller-block version - IP55

Sockets	Plug	Cable	Length	Colour	Pack qty.	Cat. no.
16A-2P++	IEC309 230V	3x2,5	30m		1	746.3525-350
16A-3P++		4x2,5			1	746.3525-351
16A-3P+N++	IEC309 400V	5x2,5	20m		1	746.2525-352



749.
CABLE REELS FOR INDUSTRIAL USE

ROLLER-BLOCK 450 Series
Reference standards: IEC 61316

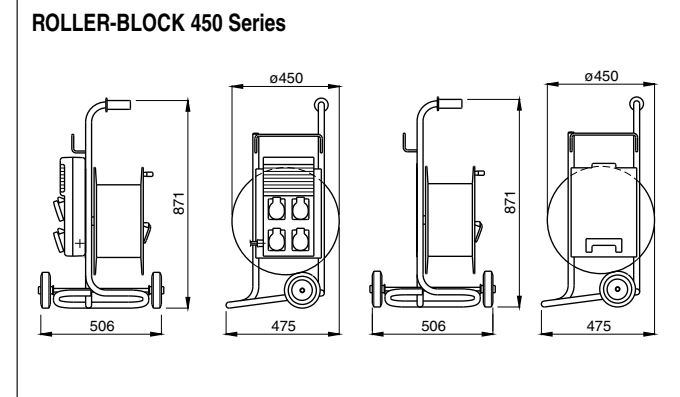


1 socket outlets - IP44

Sockets	Plug	Cable	Length	Colour	Pack qty.	Cat. no.
16A-2P+±	IEC309 230V	3x2,5	30m	■	1	749.3005-350
			50m	■	1	749.5005-350
16A-3P+±		4x2,5	30m	■	1	749.3005-351
			50m	■	1	749.5005-351
16A-3P+N+±	IEC309 400V	5x2,5	30m	■	1	749.3005-352
			50m	■	1	749.5005-352
32A-3P+±		4x4	30m	■	1	749.3005-353
32A-3P+N+±		5x4	30m	■	1	749.3005-354

1 socket outlets - IP55

Sockets	Plug	Cable	Length	Colour	Pack qty.	Cat. no.
16A-2P+±	IEC309 230V	3x2,5	30m	■	1	749.3505-350
			50m	■	1	749.5505-350
16A-3P+±		4x2,5	30m	■	1	749.3505-351
			50m	■	1	749.5505-351
16A-3P+N+±	IEC309 400V	5x2,5	30m	■	1	749.3505-352
			50m	■	1	749.5505-352
32A-3P+±		4x4	30m	■	1	749.3505-353
32A-3P+N+±		5x4	30m	■	1	749.3505-354



751.
CABLE REELS WITH AUTOMATIC REWIND AND THERMAL CUT-OUT

AUTOROLLER Series
Reference standards: IEC 61242



H05VV-F PVC cable - IP41

Poles	Cable	Max current/Load wound	Colour	Pack qty.	Cat. no.
2	16m 2x1mm ²	4A - 950W - 230V~	■	1	751.0210-D
	12m 2x1,5mm ²	6A - 1.350W - 230V~	■	1	751.0215-D
	10m 2x2,5mm ²	10A - 2.000W - 230V~	■	1	751.0225-D
3	14m 3x1mm ²	4A - 1.050W - 230V~	■	1	751.0310-D
	12m 3x1,5mm ²	6A - 1.500W - 230V~	■	1	751.0315-D
	8m 3x2,5mm ²	10A - 2.300W - 230V~	■	1	751.0325-D

H05VV-F PVC cable - IP40 with domestic plug and trailing socket

Poles	Cable	Max current/Load wound	Colour	Pack qty.	Cat. no.
3	12m 2x1,5mm ²	6A - 1.500W - 230V~	■	1	751.1315-D

H05VV-F PVC cable - IP20 with plug and portable lamp

Poles	Cable	Max current/Load wound	Colour	Pack qty.	Cat. no.
2	16m 2x1mm ²	4A - 60W - 230V~	■	1	751.7210-D
		transformer SELV 230/12-24V - 60VA	■	1	751.9210

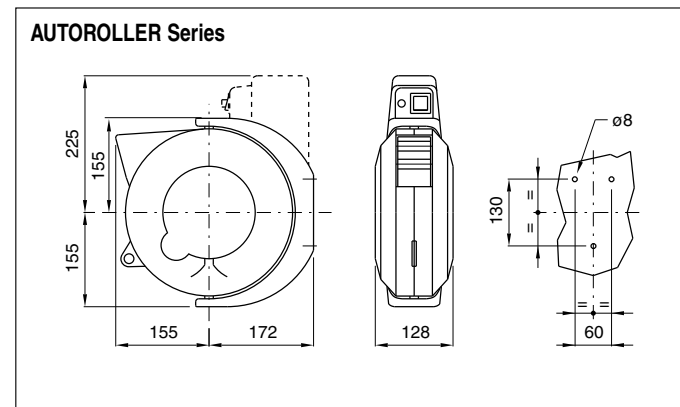
756.
CABLE REELS WITH AUTOMATIC REWIND

AUTOROLLER Series
Reference standards: IEC 61242



H07RN-F cable with plug and portable lamp - IP43

Poles	Cable	Transformer	Pack qty.	Cat. no.
2	14m 2x1mm ²	SELV 230/12-24V - 60VA	1	756.9211



7. LIGHT-FITTINGS



HALE Series
MIZAR Series
HYDRA Series

770.
PORTABLE LIGHTING

HALE Series
Reference standards: IEC 60598-1 and IEC 60598-2-8



With protective guard and zinc-plated steel reflector - IP20

Cable	Plug	Supply	Lampholder	Pack qty.	Cat. no.
Whitout cable and plug	-	-	E27	1/24	• 770.200
5m 2x0,75mm ²	CEI 23-16	2P-10A-250V~	E27	1/24	• 770.207
10m 2x0,75mm ²	CEI 23-16	2P-10A-250V~	E27	1/18	• 770.208

Portable Heavy duty lamp

Description	Lampholder	Pack qty.	Cat. no.
Without cable and plug	E27	1	770.250

With impact-resistant protective diffuser - IP20

Cable	Plug	Supply	Lampholder	Pack qty.	Cat. no.
5m 2x1mm ²	CEI 23-16	2P-10A-250V~	E27	1/6	• 770.407
10m 2x1mm ²	CEI 23-16	2P-10A-250V~	E27	1/6	• 770.408

With impact-resistant protective diffuser - IP65

Cable	Plug	Supply	Lampholder	Pack qty.	Cat. no.
Whitout cable and plug	-	-	E27	1/6	• 770.400
5m 2x1mm ²	IEC 309	2P-16A-24V~	E27	1/6	• 770.405
10m 2x1mm ²	IEC 309	2P-16A-24V~	E27	1/6	• 770.406
5m 2x1mm ²	IEC 309	2P++-16A-250V~	E27	1/6	• 770.409
10m 2x1mm ²	IEC 309	2P++-16A-250V~	E27	1/6	• 770.410

780.

LIGHT FITTINGS FOR FIXED INSTALLATIONS - IP44

MIZAR Series

Reference standards: IEC 60598-1 and IEC 60598-2-1
- Thermoplastic diffuser



Rectangular bulkhead light

Lampholder	Lamp power	Colour	Pack qty.	Cat. no.
B22	60W - incandescent	<input type="checkbox"/>	1/6	780.2262
E27		<input checked="" type="checkbox"/>	1/6	780.2762

(For continuous use, use the version with polycarbonate diffuser).

781.

LIGHT FITTINGS FOR FIXED INSTALLATIONS - IP44

MIZAR Series

Reference standards: IEC 60598-1 and IEC 60598-2-1
- Polycarbonate diffuser



Rectangular bulkhead light

Lampholder	Lamp power	Colour	Pack qty.	Cat. no.
B22	60W - incandescent	<input type="checkbox"/>	1/12	781.2260
E27		<input checked="" type="checkbox"/>	1/12	781.2760
		<input type="checkbox"/>	1/12	781.2760
		<input checked="" type="checkbox"/>	1/12	781.2761

786.

LIGHT FITTINGS FOR FIXED INSTALLATIONS - IP55

MIZAR Series

Reference standards: IEC 60598-1 and IEC 60598-2-1
- Polycarbonate diffuser



Rectangular bulkhead light

Lampholder	Lamp power	Colour	Pack qty.	Cat. no.
B22	60W - incandescent	<input type="checkbox"/>	1/12	786.2260
E27		<input checked="" type="checkbox"/>	1/12	786.2760
		<input type="checkbox"/>	1/12	786.2761
		<input checked="" type="checkbox"/>	1/12	786.2761

790.

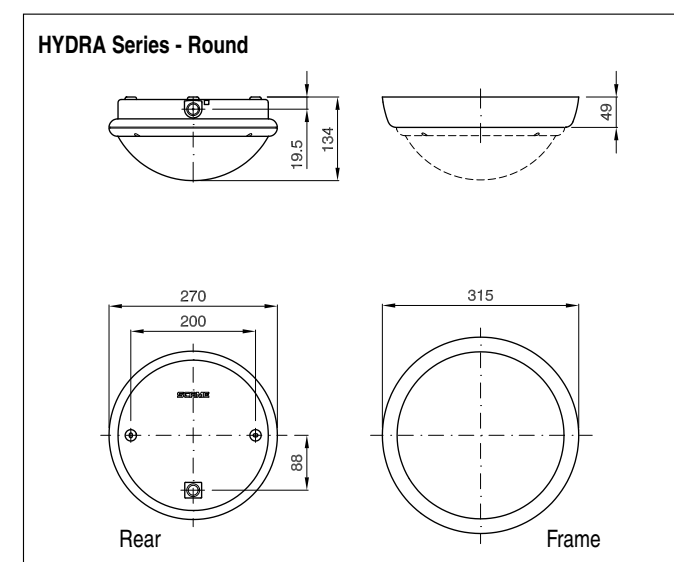
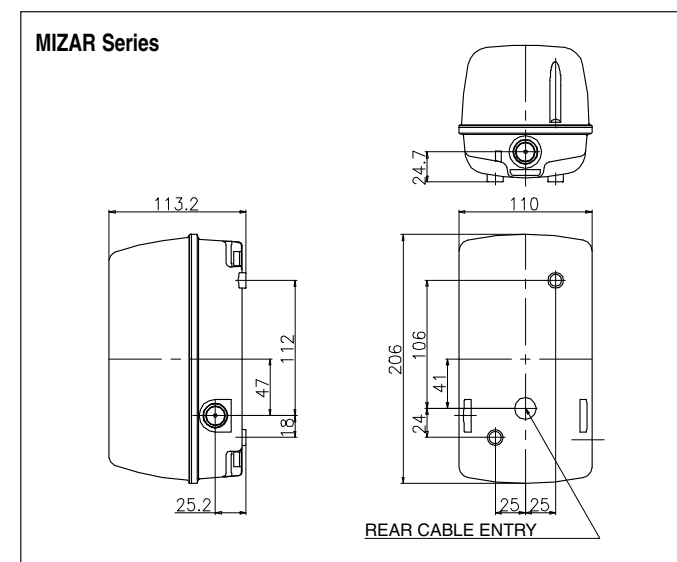
LIGHT FITTINGS FOR FIXED INSTALLATIONS

HYDRA Series



Decorative frame

Description	Colour	Pack qty.	Cat. no.
Round	<input type="checkbox"/>	1/6	790.101
	<input checked="" type="checkbox"/>	1/6	790.102
Oval	<input type="checkbox"/>	1/6	790.301
	<input checked="" type="checkbox"/>	1/6	790.302



791.

LIGHT FITTINGS FOR FIXED INSTALLATIONS - IP44



HYDRA Series

Reference standards: IEC 60598-1 and IEC 60598-2-1
- Diffuser and base in polycarbonate



Round

Coupling	Bulb	Colour	Pack qty.	Cat. no.
B22	100W	<input type="checkbox"/>	1/6	• 791.12210
E27	100W	<input type="checkbox"/>	1/6	• 791.12710



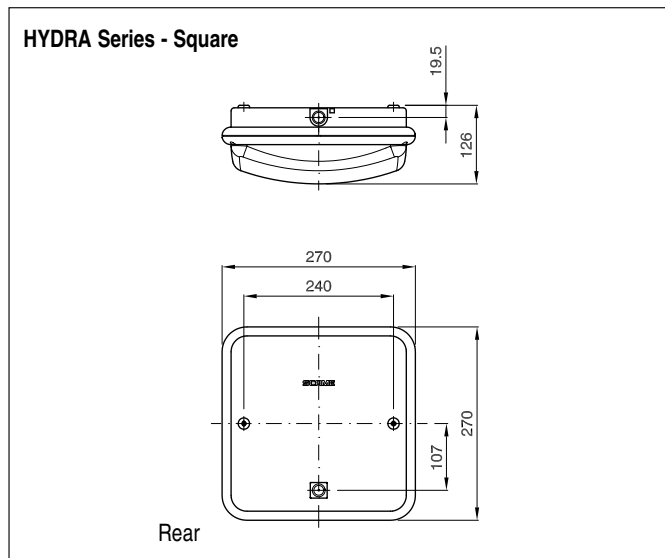
Square

Coupling	Bulb	Colour	Pack qty.	Cat. no.
B22	100W	<input type="checkbox"/>	1/6	• 791.22210
E27	100W	<input type="checkbox"/>	1/6	• 791.22710



Oval

Coupling	Bulb	Colour	Pack qty.	Cat. no.
B22	10W	<input type="checkbox"/>	1/6	• 791.32210
E27	100W	<input type="checkbox"/>	1/6	• 791.32710



796.

LIGHT FITTINGS FOR FIXED INSTALLATIONS - IP65



HYDRA Series

Reference standards: IEC 60598-1 and IEC 60598-2-1
- Diffuser and base in polycarbonate



Round

Coupling	Bulb	Colour	Pack qty.	Cat. no.
B22	100W	<input type="checkbox"/>	1/6	• 796.12210
E27	100W	<input type="checkbox"/>	1/6	• 796.12710



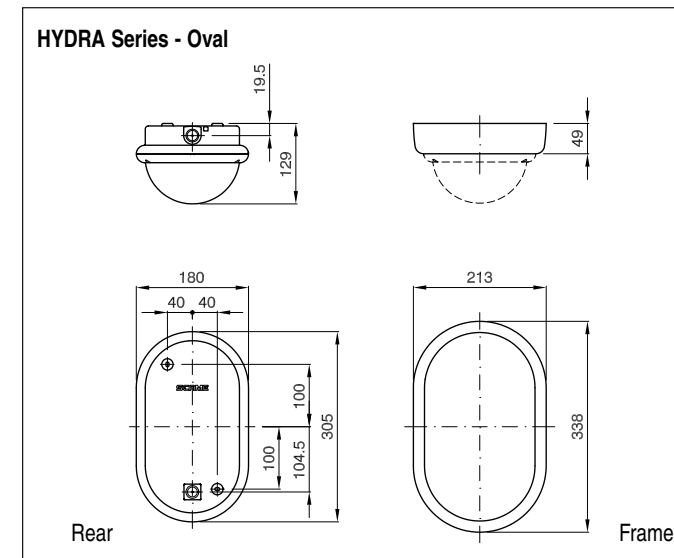
Square

Coupling	Bulb	Colour	Pack qty.	Cat. no.
B22	100W	<input type="checkbox"/>	1/6	• 796.22210
E27	100W	<input type="checkbox"/>	1/6	• 796.22710

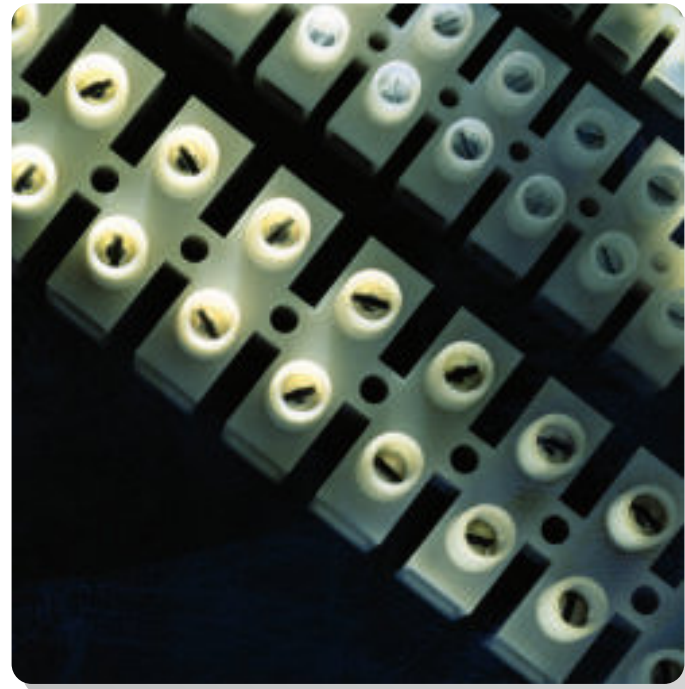


Oval

Coupling	Bulb	Colour	Pack qty.	Cat. no.
B22	100W	<input type="checkbox"/>	1/6	• 796.32210
E27	100W	<input type="checkbox"/>	1/6	• 796.32710



8. INSTALLATION ACCESSORIES



Wire connectors
Insulated wire connector strips
Multi-way wire connectors
Terminal strips

805. CABLE GLANDS LOCK NUTS - SCREW CAPS



Cable sleeves - IP55

Description	Colour	Pack qty.	Cat. no.
PG16 - Ø 23mm	■	100/1000	805.3304
PG21 - Ø 29mm	■	100/1000	805.3305
PG29 - Ø 38mm	■	50/500	805.3306
PG36 - Ø 48mm	■	25/200	805.3307



Cable sleeve - IP55

Description	Colour	Pack qty.	Cat. no.
PG16 - Ø 23mm Glow wire 650°C	■	100/1000	805.3314HF
PG21 - Ø 29mm Glow wire 960°C	■	100/1000	805.3314
PG29 - Ø 38mm Glow wire 650°C	■	100/1000	805.3315HF
PG36 - Ø 48mm Glow wire 960°C	■	100/1000	805.3315



Couplers (with nut and seal)

Description	Colour	Pack qty.	Cat. no.
PG 21	■	10/50	805.3335
PG 29	■	10/50	805.3336
PG 36	■	5/25	805.3337
M25x1.5 - Light	■	10/50	805.5225
M25x1.5 - Heavy Duty	■	10/50	805.5325
M40x1.5 - Light	■	5/25	805.5240
M40x1.5 - Heavy Duty	■	5/25	805.5340



Screw caps

Description	Colour	Pack qty.	Cat. no.
PG 7	■	100/1000	805.3380
PG 9	■	100/1000	805.3381
PG 11	■	100/1000	805.3382
PG 13,5	■	100/1000	805.3383
PG 16	■	100/1000	805.3384
PG 21	■	100/1000	805.3385
PG 29	■	50/500	805.3386
PG 36	■	25/250	805.3387
PG 42	■	25/250	805.3388
PG 48	■	25/250	805.3389



Strain-relieved cable glands (with nut) - IP68 - Heavy duty

Description	Colour	Pack qty.	Cat. no.
PG 7	■	50/600	• 805.3350
PG 9	■	50/600	• 805.3351
PG 11	■	25/500	• 805.3352
PG 13,5	■	25/500	• 805.3353
PG 16	■	25/300	• 805.3354
PG 21	■	25/400	• 805.3355
PG 29	■	25/350	• 805.3356
PG 36	■	10/140	• 805.3357
PG 42	■	10/100	• 805.3358
PG 48	■	10/100	• 805.3359
M12x1.5	■	50/600	805.5512
M16x1.5	■	50/600	805.5516
M20x1.5	■	25/500	805.5520
M25x1.5	■	25/300	805.5525
M32x1.5	■	25/400	805.5532
M40x1.5	■	25/350	805.5540
M50x1.5	■	10/100	805.5550
M63x1.5	■	10/100	805.5563
1/4"	■	50/600	• 805.7350
3/8"	■	50/600	• 805.7351
1/2"	■	25/500	• 805.7353
5/8"	■	25/300	• 805.7354
3/4"	■	25/400	• 805.7355
1"	■	25/350	• 805.7356
1.1/8"	■	10/140	• 805.7357
1.1/2"	■	10/140	• 805.7358
2	■	10/100	• 805.7359

IP66 Without seal - IP68 (1 bar) With seal - (Supplied without seals)



Cable glands (with nut) - IP66 - Light

Description	Colour	Pack qty.	Cat. no.
PG 7	■	50/600	• 805.3340
PG 9	■	50/600	• 805.3341
PG 11	■	25/500	• 805.3342
PG 13,5	■	25/500	• 805.3343
PG 16	■	25/300	• 805.3344
PG 21	■	25/400	• 805.3345
PG 29	■	25/350	• 805.3346
PG 36	■	10/140	• 805.3347
PG 42	■	10/100	• 805.3348
PG 48	■	10/100	• 805.3349
M12x1.5	■	50/600	805.5412
M16x1.5	■	50/600	805.5416
M20x1.5	■	25/500	805.5420
M25x1.5	■	25/300	805.5425
M32x1.5	■	25/400	805.5432
M40x1.5	■	25/350	805.5440
M50x1.5	■	10/100	805.5450
M63x1.5	■	10/100	805.5463



Cable glands (without nut) - IP66 - light

Description	Colour	Pack qty.	Cat. no.
PG 7	■	50/600	• 805.3340.0
PG 9	■	50/600	• 805.3341.0
PG 11	■	25/500	• 805.3342.0
PG 13,5	■	25/500	• 805.3343.0
PG 16	■	25/300	• 805.3344.0
PG 21	■	25/400	• 805.3345.0
PG 29	■	25/350	• 805.3346.0
PG 36	■	10/140	• 805.3347.0
PG 42	■	10/100	• 805.3348.0
PG 48	■	10/100	• 805.3349.0
M12x1.5	■	50/600	805.5412.0
M16x1.5	■	50/600	805.5416.0
M20x1.5	■	25/500	805.5420.0
M25x1.5	■	25/300	805.5425.0
M32x1.5	■	25/400	805.5432.0
M40x1.5	■	25/350	805.5440.0
M50x1.5	■	10/100	805.5450.0
M63x1.5	■	10/100	805.5463.0



Cable glands (with diaphragm and nut) - IP66 - light

Description	Colour	Pack qty.	Cat. no.
PG 7	■	50/600	• 805.3340.1
PG 9	■	50/600	• 805.3341.1
PG 11	■	25/500	• 805.3342.1
PG 13,5	■	25/500	• 805.3343.1
PG 16	■	25/300	• 805.3344.1
PG 21	■	25/400	• 805.3345.1
PG 29	■	25/350	• 805.3346.1
PG 36	■	10/140	• 805.3347.1
PG 42	■	10/100	• 805.3348.1
PG 48	■	10/100	• 805.3349.1
M12x1.5	■	50/600	805.5412.1
M16x1.5	■	50/600	805.5416.1
M20x1.5	■	25/500	805.5420.1
M25x1.5	■	25/300	805.5425.1
M32x1.5	■	25/400	805.5432.1
M40x1.5	■	25/350	805.5440.1
M50x1.5	■	10/100	805.5450.1
M63x1.5	■	10/100	805.5463.1



Cable glands (with diaphragm without nut) - IP66 - light

Description	Colour	Pack qty.	Cat. no.
PG 7	■	50/600	• 805.3340.2
PG 9	■	50/600	• 805.3341.2
PG 11	■	25/500	• 805.3342.2
PG 13,5	■	25/500	• 805.3343.2
PG 16	■	25/300	• 805.3344.2
PG 21	■	25/400	• 805.3345.2
PG 29	■	25/350	• 805.3346.2
PG 36	■	10/140	• 805.3347.2
PG 42	■	10/100	• 805.3348.2
PG 48	■	10/100	• 805.3349.2
M12x1.5	■	50/600	805.5412.2
M16x1.5	■	50/600	805.5416.2
M20x1.5	■	25/500	805.5420.2
M25x1.5	■	25/300	805.5425.2
M32x1.5	■	25/400	805.5432.2
M40x1.5	■	25/350	805.5440.2
M50x1.5	■	10/100	805.5450.2
M63x1.5	■	10/100	805.5463.2



Lock nuts - Light

Description	Colour	Pack qty.	Cat. no.
PG 7	■	100/1000	805.3360
PG 9	■	100/1000	805.3361
PG 11	■	100/1000	805.3362
PG 13,5	■	100/1000	805.3363
PG 16	■	100/1000	805.3364
PG 21	■	100/1000	805.3365
PG 29	■	50/500	805.3366
PG 36	■	50/500	805.3367
PG 42	■	50/500	805.3368
PG 48	■	50/500	805.3369
M12x1.5	■	100/1000	805.5612
M16x1.5	■	100/1000	805.5616
M20x1.5	■	100/1000	805.5620
M25x1.5	■	100/1000	805.5625
M32x1.5	■	50/500	805.5632
M40x1.5	■	50/500	805.5640
M50x1.5	■	50/500	805.5650
M63x1.5	■	50/500	805.5663



Lock nuts - Heavy Duty

Description	Colour	Pack qty.	Cat. no.
PG 7	■	100/1000	805.3370
PG 9	■	100/1000	805.3371
PG 11	■	100/1000	805.3372
PG 13,5	■	100/1000	805.3373
PG 16	■	100/1000	805.3374
PG 21	■	100/1000	805.3375
PG 29	■	50/500	805.3376
PG 36	■	50/500	805.3377
PG 42	■	50/500	805.3378
PG 48	■	50/500	805.3379
M12x1.5	■	100/1000	805.5712
M16x1.5	■	100/1000	805.5716
M20x1.5	■	100/1000	805.5720
M25x1.5	■	100/1000	805.5725
M32x1.5	■	100/1000	805.5732
M40x1.5	■	50/500	805.5740
M50x1.5	■	50/500	805.5750
M63x1.5	■	50/500	805.5763

For strain-relieved cable glands.



Seals

Description	Colour	Pack qty.	Cat. no.
PG 7	■	100/1000	805.3390
PG 9	■	100/1000	805.3391
PG 11	■	100/1000	805.3392
PG 13,5	■	100/1000	805.3393
PG 16	■	100/1000	805.3394
PG 21	■	100/1000	805.3395
PG 29	■	50/500	805.3396
PG 36	■	50/500	805.3397
PG 42	■	50/500	805.3398
PG 48	■	50/500	805.3399
M12x1.5	■	100/1000	805.5912
M16x1.5	■	100/1000	805.5916
M20x1.5	■	100/1000	805.5920
M25x1.5	■	100/1000	805.5925
M32x1.5	■	100/1000	805.5932
M40x1.5	■	50/500	805.5940
M50x1.5	■	50/500	805.5950
M63x1.5	■	50/500	805.5963

810. INSULATED WIRE CONNECTORS - T85



Reference standards: IEC 60998-1 and IEC 60998-2-1



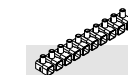
Single

Connecting capacity	Rated current	Colour	Pack qty.	Cat. no.		
1,5mm ²	17,5A	assorted	100/600	• 810.372/AS		
		■	100/600	• 810.372/B		
		■	100/600	• 810.372/G		
		■	100/600	• 810.372/M		
		■	100/600	• 810.372/N		
		■	100/600	• 810.372/TR		
		■	100/600	• 810.372/V		
		■	100/1000	• 810.374/AS		
		■	100/1000	• 810.374/B		
		■	100/1000	• 810.374/G		
2,5mm ²	24A	assorted	100/1000	• 810.374/M		
		■	100/1000	• 810.374/N		
		■	100/1000	• 810.374/TR		
		■	100/1000	• 810.374/V		
		assorted	100/1000	• 810.375/AS		
		■	100/1000	• 810.375/B		
		■	100/1000	• 810.375/G		
		■	100/1000	• 810.375/M		
		■	100/1000	• 810.375/N		
		■	100/1000	• 810.375/TR		
4mm ²	32A	assorted	100/1000	• 810.375/V		
		■	100/1000	• 810.376/AS		
		■	100/1000	• 810.376/B		
		■	100/1000	• 810.376/G		
		■	100/1000	• 810.376/M		
		■	100/1000	• 810.376/N		
		■	100/1000	• 810.376/TR		
		■	100/1000	• 810.376/V		
		assorted	100/1000	• 810.378/AS		
		■	100/1000	• 810.378/B		
6mm ²	41A	■	100/1000	• 810.378/G		
		■	100/1000	• 810.378/M		
		■	100/1000	• 810.378/N		
		■	100/1000	• 810.378/TR		
		■	100/1000	• 810.378/V		
		assorted	50/500	• 810.379/AS		
		■	50/500	• 810.379/B		
		■	50/500	• 810.379/G		
		■	50/500	• 810.379/M		
		■	50/500	• 810.379/N		
10mm ²	57A	■	50/500	• 810.379/TR		
		■	50/500	• 810.379/V		
		assorted	5/250	• 810.435/TR		
		16mm ²	76A	assorted	5/250	• 810.435/TR
				■	5/250	• 810.435/TR
				■	5/250	• 810.435/TR
				■	5/250	• 810.435/TR
				■	5/250	• 810.435/TR
				■	5/250	• 810.435/TR
				■	5/250	• 810.435/TR
■	5/250			• 810.435/TR		
■	5/250			• 810.435/TR		
■	5/250			• 810.435/TR		
35mm ²	125A	transparent	5/250	• 810.435/TR		

812. INSULATED WIRE CONNECTORS - T85



Reference standards: IEC 60998-1 and IEC 60998-2-1



Strips

Connecting capacity	Pitch (mm)	Length (mm)	Colour	Pack qty.	Cat. no.
1.5mm ²	9,8	96	■	50/500	• 812.372
2.5mm ²	12,2	120	■	50/250	• 812.374
4mm ²	12,2	120	■	50/250	• 812.375
6mm ²	14,7	145	■	25/150	• 812.376
10mm ²	17,0	168	■	25/100	• 812.378
16mm ²	21,3	211	■	25/75	• 812.379

815.
TERMINAL STRIPS



Reference standards: IEC 60998-1 and IEC 60998-2-1
- 12 poles

T140 terminal strips

Connecting capacity	Pitch (mm)	Fixing hole Ø mm	Rated Voltage	Colour	Pack qty.	Cat. no.
2.5mm ²	8	2,6	250V~	■	50/800	• 815.1361
4mm ²	10	3,5	450V~	■	50/400	• 815.1362
6mm ²	10	3,5	450V~	■	50/400	815.13625
10mm ²	11,5	3,5	450V~	■	25/300	• 815.1363
16mm ²	14,5	4,3	450V~	■	25/150	• 815.1364
25mm ²	17,5	4,3	750V~	■	15/60	• 815.1365
35mm ²	22	5,5	750V~	■	10/40	• 815.1366

T85 terminal strips

Connecting capacity	Pitch (mm)	Fixing hole Ø mm	Rated Voltage	Colour	Pack qty.	Cat. no.
2.5mm ²	8	2,6	250V~	■	50/800	• 815.2361
				□	50/800	• 815.2361B
4mm ²	10	3,5	450V~	■	50/400	• 815.2362
				□	50/400	• 815.2362B
6mm ²	10	3,5	450V~	■	50/400	815.23625
				□	50/400	815.23625B
10mm ²	11,5	3,5	450V~	■	25/300	• 815.2363
				□	25/300	• 815.2363B
16mm ²	14,5	4,3	450V~	■	25/150	• 815.2364
				□	25/150	• 815.2364B
25mm ²	17,5	4,3	750V~	■	15/60	815.2365
				□	15/60	815.2365B
35mm ²	22	5,5	750V~	■	10/40	815.2366
				□	10/40	815.2366B

T160 terminal strips

Connecting capacity	Pitch (mm)	Fixing hole Ø mm	Rated Voltage	Colour	Pack qty.	Cat. no.
2.5	8	2,5	250V~	■	50/800	815.3361
4	10	4	450V~	■	50/400	815.3362
6	10	6	450V~	■	50/400	815.33625
10	11,5	10	450V~	■	25/300	815.3363
16	14,5	16	450V~	■	25/150	815.3364

817.
MULTI-WAY WIRE CONNECTORS - T85



Reference standards: IEC 60998-1 and IEC 60998-2-1

Single

Connecting capacity	No. of ways	Conductors no. size	Pack qty.	Cat. no.
	2	2x6mm ²	25/650	• 817.0602
6mm ²	3	3x6mm ²	25/400	• 817.0603
	5	5x6mm ²	10/270	• 817.0605
	2	2x16mm ²	10/270	817.1602
16mm ²	3	3x16mm ²	10/270	817.1603
	5	5x16mm ²	10/260	817.1605
	6	2x16mm ² + 4x6mm ²	10/260	817.1606C
	2	2x35mm ²	10/160	• 817.3502
35mm ²	3	3x35mm ²	10/260	• 817.3503
	6	2x35mm ² + 4x16mm ²	10/120	• 817.3506C

Accessories

Description	Pack qty.	Cat. no.
DIN rail bracket	10/500	817.001

818.
INSULATED CABLE PINS



For fastening flat cables

Dimensions	Description	Pack qty.	Cat. no.
Ø1.5x14mm	packet with 100 pieces	100/1000	818.2

9. CONDUIT INSTALLATION ACCESSORIES



Fixing accessories
Coupling accessories

820.
FIXING ACCESSORIES



- Material: Zinc Plated Steel

Spacer brackets with M6 threaded base

Conduit Ø (mm)	Colour	Pack qty.	Cat. no.
10-11	■	100/1000	820.610
12-13	■	100/1000	820.612
14-15	■	100/1000	820.614
16-17	■	100/1000	820.616
19-20	■	100/1000	820.620
21-22	■	100/1000	820.622
25-26	■	100/1000	820.625
28-29	■	100/1000	820.628
31-32	■	100/1000	820.632
38-40	■	100/1000	820.640
48-50	■	50/400	820.650

Half-saddles

Conduit Ø (mm)	Colour	Pack qty.	Cat. no.
10-11	■	200/1000	820.710
12-13	■	200/1000	820.712
14-15	■	200/1000	820.714
16-17	■	100/1000	820.716
19-20	■	100/1000	820.720
21-22	■	100/1000	820.722
25-26	■	100/1000	820.725
10-11	■	100/1000	820.710/P
12-13	■	100/1000	820.712/P
14-15	■	100/1000	820.714/P
16-17	■	100/1000	820.716/P
19-20	■	100/1000	820.720/P
21-22	■	100/1000	820.722/P
25-26	■	100/1000	820.725/P
31-32	■	100/1000	820.732/P
38-40	■	100/500	820.740/P
48-50	■	50/500	820.750/P

Saddles

Conduit Ø (mm)	Colour	Pack qty.	Cat. no.
10-11	■	100/1000	820.810
12-13	■	100/1000	820.813
16-17	■	100/1000	820.816
19-20	■	100/1000	820.819
21-22	■	100/1000	820.822
25-26	■	100/1000	820.826
28-29	■	100/1000	820.828
31-32	■	100/1000	820.832
38-40	■	100/1000	820.838
48-50	■	50/500	820.850

830. CABLE CLIPS



Round clips for round cables

For cables Ø (mm)	Pin (mm)	Colour	Pack qty.	Cat. no.
3-4	1,8x18	<input type="checkbox"/>	100/5000	• 830.30/3-4
	1,8x18	<input checked="" type="checkbox"/>	100/5000	• 830.30/3-4G
5	2x21	<input type="checkbox"/>	100/5000	• 830.30/5
	2x21	<input checked="" type="checkbox"/>	100/5000	• 830.30/5G
6	2x21	<input type="checkbox"/>	100/5000	• 830.30/6
	2x21	<input checked="" type="checkbox"/>	100/5000	• 830.30/6G
7	2x21	<input type="checkbox"/>	100/5000	830.30/7
	2x21	<input checked="" type="checkbox"/>	100/5000	830.30/7G
8	2x21	<input type="checkbox"/>	100/5000	830.30/8
	2x21	<input checked="" type="checkbox"/>	100/5000	830.30/8G
10	2x27	<input type="checkbox"/>	100/5000	830.30/10
	2x27	<input checked="" type="checkbox"/>	100/5000	830.30/10G
12	2x27	<input checked="" type="checkbox"/>	100/3000	830.30/12G
14	2x27	<input checked="" type="checkbox"/>	100/3000	830.30/14G
16	2x35	<input checked="" type="checkbox"/>	100/5000	830.30/16G
19	2.5x45	<input checked="" type="checkbox"/>	100/3000	830.30/19G
22	2.5x45	<input checked="" type="checkbox"/>	100/1000	830.30/22G
26	2.7x50	<input checked="" type="checkbox"/>	100/1000	830.30/26G
28	2.7x60	<input checked="" type="checkbox"/>	100/1000	830.30/28G
32	2.7x60	<input checked="" type="checkbox"/>	100/1000	830.30/32G



Flat clips for flat cables

For cables with width (mm)	Colour	Pack qty.	Cat. no.
3,5	<input type="checkbox"/>	100/5000	830.30/P3
	<input checked="" type="checkbox"/>	100/5000	830.30/P3G
5	<input type="checkbox"/>	100/3000	830.30/P5
	<input checked="" type="checkbox"/>	100/3000	830.30/P5G
6	<input type="checkbox"/>	100/5000	830.30/P6
	<input checked="" type="checkbox"/>	100/5000	830.30/P6G
8	<input type="checkbox"/>	100/3000	830.30/P8
	<input checked="" type="checkbox"/>	100/3000	830.30/P8G
11	<input type="checkbox"/>	100/1000	830.30/P11
	<input checked="" type="checkbox"/>	100/1000	830.30/P11G
13	<input type="checkbox"/>	100/1000	830.30/P13
	<input checked="" type="checkbox"/>	100/1000	830.30/P13G

839. CABLE TIES



Reference standards: EN 50146



For outdoor wiring (Rilsan®)

Dimensions (mm)	Grip capacity Ø (mm)	Tensile strength (kg)	Colour	Pack qty.	Cat. no.
6x115	4-25	25	<input checked="" type="checkbox"/>	100/2000	839.39/6115
6x175	10-45	28	<input checked="" type="checkbox"/>	100/2000	839.39/6175
9x120	4-22	48	<input checked="" type="checkbox"/>	100/2000	839.39/9120
9x180	10-42	48	<input checked="" type="checkbox"/>	100/2000	839.39/9180
9x265	26-62	55	<input checked="" type="checkbox"/>	100/2000	839.39/9260
9x360	55-92	55	<input checked="" type="checkbox"/>	100/2000	839.39/9350



For indoor wiring (Nylon)

Dimensions (mm)	Grip capacity Ø (mm)	Tensile strength (kg)	Colour	Pack qty.	Cat. no.
2,4x75	1.5-15	6	<input type="checkbox"/>	100/2000	839.42080
			<input checked="" type="checkbox"/>	100/2000	839.52080
2,5x98	1.5-18	8	<input type="checkbox"/>	100/2000	839.42100
			<input checked="" type="checkbox"/>	100/2000	839.52100
2,5x135	1.5-30	8	<input type="checkbox"/>	100/2000	839.52120
			<input checked="" type="checkbox"/>	100/2000	839.42120
2,6x160	1.5-40	8	<input type="checkbox"/>	100/2000	839.42160
			<input checked="" type="checkbox"/>	100/2000	839.52160
2,6x200	1.5-50	8	<input type="checkbox"/>	100/2000	839.42200
			<input checked="" type="checkbox"/>	100/2000	839.52200
3,6x140	1.5-35	13	<input type="checkbox"/>	100/2000	839.43140
			<input checked="" type="checkbox"/>	100/2000	839.53140
3,6x200	1.5-50	13	<input type="checkbox"/>	100/2000	839.43200
			<input checked="" type="checkbox"/>	100/2000	839.53200
3,6x290	1.5-80	13	<input type="checkbox"/>	100/2000	839.43300
			<input checked="" type="checkbox"/>	100/2000	839.53300
3,6x370	1.5-100	13	<input type="checkbox"/>	100/2000	839.43370
			<input checked="" type="checkbox"/>	100/2000	839.53370
4,8x178	1.5-45	22	<input type="checkbox"/>	100/2000	839.44190
			<input checked="" type="checkbox"/>	100/2000	839.54190
4,8x200	1.5-45	22	<input type="checkbox"/>	100/2000	839.44200
			<input checked="" type="checkbox"/>	100/2000	839.54200
4,8x250	1.5-60	22	<input type="checkbox"/>	100/2000	839.44250
			<input checked="" type="checkbox"/>	100/2000	839.54250
4,8x290	1.5-75	22	<input type="checkbox"/>	100/2000	839.44300
			<input checked="" type="checkbox"/>	100/2000	839.54300
4,8x360	1.5-100	22	<input type="checkbox"/>	100/2000	839.44370
			<input checked="" type="checkbox"/>	100/2000	839.54370
4,8x430	1.5-100	22	<input type="checkbox"/>	100/2000	839.44430
			<input checked="" type="checkbox"/>	100/2000	839.54430
7,8x180	4.5-45	55	<input type="checkbox"/>	100/2000	839.47200
			<input checked="" type="checkbox"/>	100/2000	839.57200
7,8x300	4.5-80	55	<input type="checkbox"/>	100/2000	839.47290
			<input checked="" type="checkbox"/>	100/2000	839.57290
7,8x365	4.5-100	55	<input type="checkbox"/>	100/2000	839.47370
			<input checked="" type="checkbox"/>	100/2000	839.57370
9x780	4.5-230	55	<input type="checkbox"/>	100/1000	839.47780
			<input checked="" type="checkbox"/>	100/1000	839.57780



Accessories

Description	Colour	Pack qty.	Cat. no.
self-adhesive cable tie base	<input type="checkbox"/>	100/1000	839.39/100
wall anchor base	<input checked="" type="checkbox"/>	100/1000	839.39/101
panel clip-on base	<input type="checkbox"/>	100/1000	839.39/102
screw-in cable tie base anti-vibration	<input type="checkbox"/>	100/1000	839.39/103
pliers for clamping and trimming cable ties	<input checked="" type="checkbox"/>	1/20	839.39/104

845. SPRUNG CEILING HOOKS



Sprung ceiling hooks

Description	Thread	Pack qty.	Cat. no.
with open hook and nut	M5	50/500	845.46
with screw, washer and nut	M5	50/1000	845.46/1
with washer and 2 nuts	M5	50/500	845.46/2

846. FIXING PLUGS



Without screws

Dimensions Ø (mm)	For screws size Ø (mm)	Colour	Pack qty.	Cat. no.
4	1,5-3	<input checked="" type="checkbox"/>	100/2000	846.13-4
5	2,5-4	<input checked="" type="checkbox"/>	100/2000	846.13-5
6	3,5-5	<input checked="" type="checkbox"/>	100/2000	846.13-6
7	4-6	<input checked="" type="checkbox"/>	100/2000	846.13-7
8	4,5-7	<input checked="" type="checkbox"/>	100/2000	846.13-8
10	5-8	<input checked="" type="checkbox"/>	100/2000	846.13-10



With screws

Dimensions Ø (mm)	With screws (mm)	Colour	Pack qty.	Cat. no.
4	3,0x25	<input checked="" type="checkbox"/>	100/2000	846.14-4
5	3,5x25	<input checked="" type="checkbox"/>	100/2000	846.14-5
6	4,5x40	<input checked="" type="checkbox"/>	100/2000	846.14-6
7	4,5x40	<input checked="" type="checkbox"/>	100/2000	846.14-7
8	5,0x40	<input checked="" type="checkbox"/>	100/2000	846.14-8
10	6,0x50	<input checked="" type="checkbox"/>	100/2000	846.14-10

860. ACCESSORIES FOR CONDUITS



Pressure clips

Conduit Ø (mm)	Sheath Ø (mm)	Colour	Pack qty.	Cat. no.
16-20	14-22	■	100/1200	860.01620
25-32	23-35	■	50/600	860.02532
40-50	38-50	■	40/320	860.04050



Collar clips

Conduit Ø (mm)	Colour	Pack qty.	Cat. no.
16	■	100/1000	860.1316/G
20	■	100/1000	860.1320/G
25	■	100/1000	860.1325/G
32	■	100/800	860.1332/G
40	■	50/400	860.1340/G
50	■	25/250	860.1350/G



Snap clips

Conduit Ø (mm)	Colour	Pack qty.	Cat. no.
16	■	100/1000	860.1416/G
20	■	100/1000	860.1420/G
25	■	100/800	860.1425/G
32	■	50/500	860.1432/G



Snap clips with plug and screw

Conduit Ø (mm)	Colour	Pack qty.	Cat. no.
16	■	100/1000	860.2016
20	■	100/1000	860.2020
25	■	100/800	860.2025
32	■	50/400	860.2032



Mounting rail for snap and collar clips

Description	Colour	Pack qty.	Cat. no.
suitable for all size - 200mm	■	400	860.1300/G



Inspection elbows - IP40

Conduit Ø (mm)	Colour	Pack qty.	Cat. no.
16	■	50/1200	860.1116/G
20	■	50/600	860.1120/G
25	■	50/2400	860.1125/G
32	■	25/200	860.1132/G



Inspection tees - IP40

Conduit Ø (mm)	Colour	Pack qty.	Cat. no.
16	■	50/800	860.1216/G
20	■	50/400	860.1220/G
25	■	25/300	860.1225/G
32	■	20/160	860.1232/G

862. CONDUITS FITTINGS - IP40



Reference standard: EN 50086



Bends with two couplings

Conduit Ø (mm)	Colour	Pack qty.	Cat. no.
16	■	50/800	• 862.916/G
20	■	50/400	• 862.920/G
25	■	25/200	• 862.925/G
32	■	25/100	• 862.932/G
40	■	15/60	• 862.940/G
50	■	10/40	• 862.950/G



Conduit couplings

Conduit Ø (mm)	Colour	Pack qty.	Cat. no.
16	■	100/1200	• 862.1016/G
20	■	100/800	• 862.1020/G
25	■	50/600	• 862.1025/G
32	■	50/300	• 862.1032/G
40	■	20/160	• 862.1040/G
50	■	20/120	• 862.1050/G

864. CONDUITS FITTINGS - IP65



Reference standard: EN 50086



Bends with two couplings

Conduit Ø (mm)	Colour	Pack qty.	Cat. no.
16	■	50/600	864.216
20	■	50/400	864.220
25	■	25/200	864.225
32	■	25/100	864.232
40	■	15/60	864.240
50	■	10/40	864.250



Conduit couplings

Conduit Ø (mm)	Colour	Pack qty.	Cat. no.
16	■	50/800	864.316
20	■	50/600	864.320
25	■	50/400	864.325
32	■	25/200	864.332
40	■	20/160	864.340
50	■	10/80	864.350



Conduit to box coupling

Conduit Ø (mm)	Fixing hole Ø (mm)	Metric thread	Colour	Pack qty.	Cat. no.
16	→ 16-18	M16x1,5	■	50/800	864.516
20	→ 20-22	M20x1,5	■	50/600	864.520
25	→ 25-28	M25x1,5	■	50/400	864.525
32	→ 32-35	M32x1,5	■	25/300	864.532
40	→ 40-44	M40x1,5	■	25/200	864.540
50	→ 50-54	M50x1,5	■	15/120	864.550



Sheath to box couplings

Pig thread	Sheath Ø (mm)	Colour	Pack qty.	Cat. no.
PG 9 →	10	■	50/1200	864.600
PG 11 →	12	■	50/1200	864.601
PG 13,5 →	12	■	50/1200	864.603
PG 16 →	16	■	50/800	864.605
PG 16 →	16	■	50/800	864.606
PG 21 →	20	■	50/400	864.607
PG 29 →	25	■	25/300	864.609
PG 36 →	32	■	25/200	864.611



Sheath to box couplings

Metric thread	Sheath Ø (mm)	Colour	Pack qty.	Cat. no.
M16x1,5 →	10	■	50/1200	864.651
M16x1,5 →	12	■	50/1200	864.653
M20x1,5 →	16	■	50/800	864.655
M25x1,5 →	20	■	50/400	864.657
M32x1,5 →	25	■	25/300	864.659
M40x1,5 →	32	■	25/200	864.661
M50x1,5 →	40	■	15/120	864.663
M63x1,5 →	50	■	10/80	864.665



Conduit to sheath couplings

Conduit Ø (mm)	Sheath Ø (mm)	Colour	Pack qty.	Cat. no.
16 →	12	■	50/800	864.716
	16	■	50/600	864.816
20 →	16	■	50/600	864.720
	20	■	50/400	864.820
25 →	20	■	50/400	864.725
	25	■	25/200	864.825
32 →	25	■	25/200	864.732
	32	■	20/160	864.832
40 →	32	■	20/160	864.740
	40	■	15/120	864.840
50 →	40	■	15/120	864.750
	50	■	10/80	864.850



Sheath to Eureka couplings

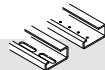
Sheath Ø (mm)	Metric thread	Eureka	Colour	Pack qty.	Cat. no.
20 →	M27x1,5	16A 2P++ - 3P++	■	10/80	864.920
22 →	M32x1,5	16A 3P+N++ 32A 2P++ - 3P++	■	10/80	864.922
25 →	M36x1,5	32A 3P+N++	■	10/80	864.925
28 →	M36x1,5	32A 3P+N++	■	10/80	864.928

865. INSTALLATION ACCESSORIES



Cable sheaths

Dimensions inside Ø (mm)	Colour	Pack qty.	Cat. no. (1m)
2	■	200/1600	865.002
3	■	200/2000	865.003
4	■	100/1000	865.004
5	■	100/1000	865.005
6	■	100/800	865.006
6	□	100/800	865.106
7	■	100/600	865.007
8	■	100/600	865.008
9	■	100/600	865.009
10	■	50/400	865.010
12	■	50/350	865.012
14	■	50/300	865.014
16	■	25/200	865.016
18	■	25/200	865.018
20	■	25/175	865.020
22	■	25/150	865.022
24	■	25/150	865.024
26	■	25/150	865.026
28	■	25/150	865.028
30	■	20/100	865.030
36	■	20/100	865.036
40	■	20/100	865.040



Metallic rails

Description	Dimensions drilled rail	Colour	Pack qty.	Cat. no. (1m)
support bracket	60x48x1,8mm With M6 holes	■	50/500	865.200
G type	32x15x1,5mm	No	20	865.210
	18x6,3 - 25mm	■	20	865.211
	35x7,5x1mm	No	40	865.220
	18x6,3 - 25mm	■	40	865.221
Ω type	35x15x1,5mm	No	20	865.230
	18x6,3 - 25mm	■	20	865.231
	15x5,5x1mm	No	100	865.240
	18x6,3 - 25mm	■	100	865.241



Spiral cable binding

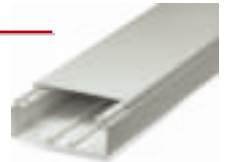
Inside Ø (mm)	Outside Ø (mm)	Colour	Pack qty.	Cat. no. (1m)
3	5	□	25/700	865.603
4	6	□	25/600	865.604
6	8	□	25/500	865.606
8	10	□	25/400	865.608
10	12	□	25/200	865.610
12	14	□	20/160	865.612
14	16	□	20/120	865.614

10. TRUNKING SYSTEMS



Cable trunking
Slotted cable trunking
WBOX Series: flush mounting boxes
WADO Series: mini-trunking
WADO Series: skirting-trunking

872. CABLE AND SET HOUSING TRUNKING



Reference standard: CEI 23-32



Cable trunking

Dimensions (mm)	Compartments	Colour	Pack qty.	Cat. no.
40x40	1	□	60	• 872.04040
60x40	3	□	40	• 872.06040
60x60	3	□	32	• 872.06060
80x60	3	□	24	• 872.08060
100x80	3	□	16	• 872.10080

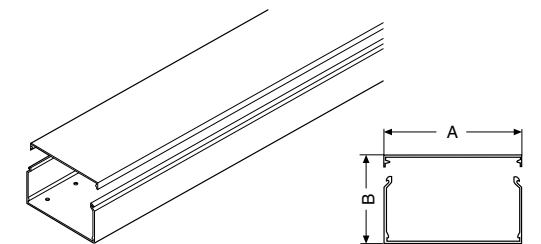


Cable trunking

Dimensions (mm)	Compartments	Colour	Pack qty.	Cat. no.
100x60	3	□	18	• 872.10060
150x60	5	□	12	• 872.15060
150x80	5	□	8	• 872.15080
200x80	7	□	8	• 872.20080

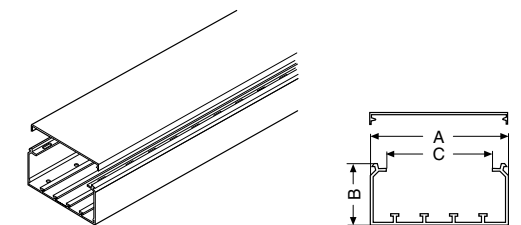
Each bar is provided with cable fixing ties.

Cable trunking



DIMENSION	A	B
40x40	40	40
60x40	60	40
60x60	60	60
80x60	80	60
100x80	100	80

Cable and set housing trunking



DIMENSION	A	B	C
100x60	100	60	72
150x60	150	60	122
150x80	150	80	122
200x80	200	80	172



Accessory for internal separation

Dimensions (mm)	Colour	Pack qty.	Cat. no.
40x40			
60x40	<input type="checkbox"/>	100	• 872.CS40
60x60			
80x60			
100x80			
100x60	<input type="checkbox"/>	108	• 872.CS60
150x60			
150x80			
200x80			



Fastener for fixing components to the base

Dimensions (mm)	Colour	Pack qty.	Cat. no.
40x40			
60x40	<input type="checkbox"/>	20	• 872.TE060
60x60	<input type="checkbox"/>	20	• 872.TE080
80x60	<input type="checkbox"/>	20	• 872.TE100
100x80	<input type="checkbox"/>	20	• 872.TE100
100x60			
150x60			NO USE
150x80			NO USE
200x80			NO USE



Wall shelf

Dimensions (mm)	Colour	Pack qty.	Cat. no.
40x40			
60x40			
60x60	<input type="checkbox"/>	20/80	• 872.MP01
80x60			
100x80			
100x60			
150x60			
150x80	<input type="checkbox"/>	1/20	• 872.MP02
200x80			



External angle

Dimensions (mm)	Compartments	Colour	Pack qty.	Cat. no.
40x40	1	<input type="checkbox"/>	10/60	• 872.AE04040
60x40	3	<input type="checkbox"/>	10/40	• 872.AE06040
60x60	3	<input type="checkbox"/>	10/40	• 872.AE06060
80x60	3	<input type="checkbox"/>	10/30	• 872.AE08060
100x80	3	<input type="checkbox"/>	8/16	• 872.AE10080
100x60	3	<input type="checkbox"/>	8/16	• 872.AE10060
150x60	5	<input type="checkbox"/>	1/6	• 872.AE15060
150x80	5	<input type="checkbox"/>	1/6	• 872.AE15080
200x80	7	<input type="checkbox"/>	1/4	• 872.AE20080



Internal angle

Dimensions (mm)	Compartments	Colour	Pack qty.	Cat. no.
40x40	1	<input type="checkbox"/>	10/60	• 872.AI04040
60x40	3	<input type="checkbox"/>	10/40	• 872.AI06040
60x60	3	<input type="checkbox"/>	10/40	• 872.AI06060
80x60	3	<input type="checkbox"/>	10/30	• 872.AI08060
100x80	3	<input type="checkbox"/>	8/16	• 872.AI10080
100x60	3	<input type="checkbox"/>	8/16	• 872.AI10060
150x60	5	<input type="checkbox"/>	1/8	• 872.AI15060
150x80	5	<input type="checkbox"/>	1/6	• 872.AI15080
200x80	7	<input type="checkbox"/>	1/4	• 872.AI20080



Flat angle

Dimensions (mm)	Compartments	Colour	Pack qty.	Cat. no.
40x40	1	<input type="checkbox"/>	10/60	• 872.AP04040
60x40	3	<input type="checkbox"/>	10/40	• 872.AP06040
60x60	3	<input type="checkbox"/>	10/40	• 872.AP06060
80x60	3	<input type="checkbox"/>	10/30	• 872.AP08060
100x80	3	<input type="checkbox"/>	8/16	• 872.AP10080
100x60	3	<input type="checkbox"/>	8/16	• 872.AP10060
150x60	5	<input type="checkbox"/>	1/8	• 872.AP15060
150x80	5	<input type="checkbox"/>	1/6	• 872.AP15080
200x80	7	<input type="checkbox"/>	1/4	• 872.AP20080



End cap

Dimensions (mm)	Compartments	Colour	Pack qty.	Cat. no.
40x40	1	<input type="checkbox"/>	10/60	• 872.TT04040
60x40	3	<input type="checkbox"/>	10/40	• 872.TT06040
60x60	3	<input type="checkbox"/>	10/40	• 872.TT06060
80x60	3	<input type="checkbox"/>	10/30	• 872.TT08060
100x80	3	<input type="checkbox"/>	8/16	• 872.TT10080
100x60	3	<input type="checkbox"/>	8/16	• 872.TT10060
150x60	5	<input type="checkbox"/>	1/8	• 872.TT15060
150x80	5	<input type="checkbox"/>	1/6	• 872.TT15080
200x80	7	<input type="checkbox"/>	1/4	• 872.TT20080



Flat tees

Dimensions (mm)	Compartments	Colour	Pack qty.	Cat. no.
40x40	1	<input type="checkbox"/>	20	• 872.GT40
60x40	3	<input type="checkbox"/>	20	• 872.GT40
60x60	3	<input type="checkbox"/>	20	• 872.GT60
80x60	3	<input type="checkbox"/>	20	• 872.GT60
100x80	3	<input type="checkbox"/>	20	• 872.GT80
100x60	3	<input type="checkbox"/>	20	• 872.GT60
150x60	5	<input type="checkbox"/>	20	• 872.GT60
150x80	5	<input type="checkbox"/>	20	• 872.GT80
200x80	7	<input type="checkbox"/>	20	• 872.GT80



Flat joint

Dimensions (mm)	Compartments	Colour	Pack qty.	Cat. no.
40x40	1	<input type="checkbox"/>	20	• 872.GP40
60x40	3	<input type="checkbox"/>	20	• 872.GP40
60x60	3	<input type="checkbox"/>	20	• 872.GP60
80x60	3	<input type="checkbox"/>	20	• 872.GP60
100x80	3	<input type="checkbox"/>	20	• 872.GP80
100x60	3	<input type="checkbox"/>	20	• 872.GP60
150x60	5	<input type="checkbox"/>	20	• 872.GP60
150x80	5	<input type="checkbox"/>	20	• 872.GP80
200x80	7	<input type="checkbox"/>	20	• 872.GP80

To be installed on the trunking sides



Cover for linear joint

Dimensions (mm)	Compartments	Colour	Pack qty.	Cat. no.
40x40	1	<input type="checkbox"/>	20	• 872.GU040
60x40	3	<input type="checkbox"/>	20	• 872.GU060
60x60	3	<input type="checkbox"/>	20	• 872.GU060
80x60	3	<input type="checkbox"/>	20	• 872.GU080
100x80	3	<input type="checkbox"/>	20	• 872.GU100
100x60	3	<input type="checkbox"/>	20	• 872.GU100
150x60	5	<input type="checkbox"/>	20	• 872.GU150
150x80	5	<input type="checkbox"/>	20	• 872.GU150
200x80	7	<input type="checkbox"/>	20	• 872.GU200



Linear joint

Dimensions (mm)	Colour	Pack qty.	Cat. no.
40x40			
60x40			
60x60			
80x60			
100x80			
100x60	<input type="checkbox"/>	10	• 872.GL02
150x60			
150x80			
200x80			



Variable angle joint

Dimensions (mm)	Colour	Pack qty.	Cat. no.
40x40			
60x40			
60x60			
80x60			
100x80			
100x60	<input type="checkbox"/>	10	• 872.GV02
150x60			
150x80			
200x80			

To be installed on the trunking sides



Junction box

Dimensions (mm)	Colour	Pack qty.	Cat. no.
40x40			
60x40	<input type="checkbox"/>	1/10	• 872.SA40
60x60			
80x60	<input type="checkbox"/>	1/4	• 872.SA60
100x80			
100x60	<input type="checkbox"/>	1/4	• 872.SA60
150x60			
150x80			
200x80			



Distribution board

Dimensions (mm)	Colour	Pack qty.	Cat. no.
40x40			
60x40			
60x60			
80x60	<input type="checkbox"/>	1/9	• 872.SC01 (4 DIN)
100x80			
100x60			
150x60			
150x80	<input type="checkbox"/>	1/10	• 872.SC02 (10 DIN)
200x80			



Box for accessories

Dimensions (mm)	Colour	Pack qty.	Cat. no.
40x40			
60x40			
60x60			
80x60			
100x80			
100x60	<input type="checkbox"/>	1/20	• 872.PA02
150x60			
150x80			
200x80			

Note: for 80x60 and 100x80 versions, use the specific bottom fixing accessory



Cover for box 83,5 mm

Dimensions (mm)	Colour	Pack qty.	Cat. no.
40x40			
60x40			
60x60			
80x60	■	20	• 872.PA080
100x80	■	15	• 872.PA100
100x60			
150x60			
150x80	■	15	• 872.PA150
200x80	■	10	• 872.PA200



Box for accessories 60 mm

Dimensions (mm)	Colour	Pack qty.	Cat. no.
40x40			
60x40			
60x60			
80x60			
100x80			
100x60	■	1/20	• 872.PB02
150x60			
150x80			
200x80			

Note: for 80x60 and 100x80 versions, use the specific bottom fixing accessory.



Box for italian telephone outlet

Dimensions (mm)	Colour	Pack qty.	Cat. no.
40x40			
60x40			
60x60			
80x60			
100x80			
100x60	■	1/20	• 872.PB04
150x60			
150x80			
200x80			

Note: for 80x60 and 100x80 versions, use the specific bottom fixing accessory.



Cover for box 60 mm and telephone box

Dimensions (mm)	Colour	Pack qty.	Cat. no.
40x40			
60x40			
60x60			
80x60	■	20	• 872.PB080
100x80	■	15	• 872.PB100
100x60			
150x60	■	15	• 872.PB150
150x80	■	10	• 872.PB200



Box for industrial socket

Dimensions (mm)	Colour	Pack qty.	Cat. no.
40x40			
60x40			
60x60			
80x60			
100x80			
100x60			
150x60			
150x80	■	1/30	• 872.PC02
200x80			



Cover for box for industrial socket

Dimensions (mm)	Colour	Pack qty.	Cat. no.
40x40			
60x40			
60x60			
80x60	■	20	• 872.PC080
100x80	■	15	• 872.PC100
100x60			
150x60			
150x80	■	15	• 872.PC150
200x80	■	10	• 872.PC200



6 DIN modular switch plate

Dimensions (mm)	Colour	Pack qty.	Cat. no.
40x40			
60x40			
60x60			
80x60			
100x80			
100x60			
150x60	■	10	• 872.PD150
150x80	■	10	• 872.PD200



Apparatus support

Dimensions (mm)	Colour	Pack qty.	Cat. no.
40x40			
60x40			
60x60			
80x60			
100x80			
100x60	■	1/10	• 872.TA02
150x60			
150x80			
200x80			



Support for devices for household use

Dimensions (mm)	Colour	Pack qty.	Cat. no.
40x40			
60x40			
60x60			
80x60			
100x80			
100x60	■	20	• 872.TB100
150x60	■	20	• 872.TB150
150x80			
200x80			



Collar cable fastener

Dimensions (mm)	Colour	Pack qty.	Cat. no.
40x40			
60x40			
60x60			
80x60			
100x80	■	10/120	• 872.TC10080
100x60	■	10/120	• 872.TC10060
150x60			
150x80			
200x80			



Cable fastening tie

Dimensions (mm)	Colour	Pack qty.	Cat. no.
40x40			
60x40			
60x60			
80x60			
100x80			
100x60	■	20	• 872.TF100
150x60	■	20	• 872.TF150
150x80	■	20	• 872.TF200
200x80			

874. SLOTTED CABLE TRUNKING



Reference standard: CEI 23-22
- Supplied complete with cover

Standard pitch: 8/12/8mm (▲ 6/8/6mm)

Dimensions (mm)	Slot (h)	Compartments	Colour	Pack qty.	Cat. no. (1m)
25x30	23,5mm	1	■	100 ▲	• 874.2530
25x40	30mm	1	■	100	• 874.2540
25x60	50mm	1	■	70	• 874.2560
25x80	68mm	1	■	56	• 874.2580
40x30	23,5mm	1	■	80 ▲	• 874.4030
40x40	30mm	1	■	70	• 874.4040
40x60	50mm	1	■	56	• 874.4060
40x80	68mm	1	■	40	• 874.4080
60x40	30mm	1	■	50	• 874.6040
60x60	50mm	1	■	32	• 874.6060
60x80	68mm	1	■	24	• 874.6080
80x40	30mm	1	■	40	• 874.8040
80x60	50mm	1	■	28	• 874.8060
80x80	68mm	1	■	20	• 874.8080
100x40	30mm	1	■	28	• 874.0040
100x60	50mm	1	■	20	• 874.0060
100x80	68mm	1	■	16	• 874.0080
120x40	30mm	1	■	24	• 874.0240
120x60	50mm	1	■	16	• 874.0260
120x80	68mm	1	■	12	• 874.0280

Short pitch: 4/6/4mm

Dimensions (mm)	Slot (h)	Compartments	Colour	Pack qty.	Cat. no. (1m)
25x30	23,5mm	1	■	100	• 874.R2530
25x40	30mm	1	■	100	• 874.R2540
25x60	50mm	1	■	70	• 874.R2560
25x80	68mm	1	■	56	• 874.R2580
40x30	23,5mm	1	■	80	• 874.R4030
40x40	30mm	1	■	70	• 874.R4040
40x60	50mm	1	■	56	• 874.R4060
40x80	68mm	1	■	40	• 874.R4080
60x40	30mm	1	■	50	• 874.R6040
60x60	50mm	1	■	32	• 874.R6060
60x80	68mm	1	■	24	• 874.R6080
80x40	30mm	1	■	40	• 874.R8040
80x60	50mm	1	■	28	• 874.R8060
80x80	68mm	1	■	20	• 874.R8080
100x40	30mm	1	■	28	• 874.R0040
100x60	50mm	1	■	20	• 874.R0060
100x80	68mm	1	■	16	• 874.R0080
120x40	30mm	1	■	24	• 874.R0240
120x60	50mm	1	■	16	• 874.R0260
120x80	68mm	1	■	12	• 874.R0280

875. FLUSH MOUNTING BOXES



WBOX Series



Round flush mounting boxes

Description	Protection degree	Colour	Pack qty.	Cat. no.
Ø 65 mm	IP 40	■	500	• 875.4201

Provided with cover and screws.



Flush mounting phone boxes

Description	Colour	Pack qty.	Cat. no.
70x70 mm	■	12/60	875.4301

Provided with cover and screws.



Rectangular flush mounting boxes

Description	Distance between axes for fixing (mm)	Colour	Pack qty.	Cat. no.
3 modules	83,5	■	6/300	• 875.4303

Provided with cover and screws.



Flush junction boxes

Dimensions (mm)	Compartments	Colour	Pack qty.	Cat. no.
92x92x45	1 -	■	1/170	• 875.4410
118x96x50	1 -	■	1/120	• 875.4411
153x98x70	1 -	■	1/70	• 875.4412
160x130x70	1 -	■	1/44	• 875.4413
196x152x70	2 Accept separator 152*	■	1/40	• 875.4414
294x152x70	3 Accept separator 152*	■	1/24	• 875.4415
392x152x70	4 Accept separator 152*	■	1/20	• 875.4416
480x160x70	3 Accept separator 160*	■	1/12	• 875.4417

* Provided without separator
Provided with box, cover and screw.



Separators

Description	Dimensions	Colour	Pack qty.	Cat. no.
Separator 152	152 mm	■	25/200	875.4490
Separator 160	160 mm	■	25/200	875.4491

To divide electric circuits.



Covers

Description	Box (mm)	Colour	Pack qty.	Cat. no.
Round covers with fasteners	Ø 65 mm	□	50/500	• 875.4501
	Ø 80 mm	□	40/400	• 875.4502
	92x92	□	5/100	• 875.4510
	118x96	□	5/160	• 875.4511
Screw covers	153x98	□	5/140	• 875.4512
	160x130	□	5/80	• 875.4513
	196x152	□	5/60	• 875.4514
	294x152	□	2/40	• 875.4515
	392x152	□	2/30	• 875.4516
	480x160	□	2/24	• 875.4517

* Provided without screws
Supplied as spare parts

Screws for covers

Description	Size (mm)	Pack qty.	Cat. no.
20-screw packs	3x19	1/120	875.4500



Protective cover

Description	Box (mm)	Colour	Pack qty.	Cat. no.
Plastic	3 modules	□	120	875.4603*
	92x92	□	5/100	875.4610
	118x96	□	5/160	875.4611
	153x98	□	5/140	875.4612
	160x130	□	5/80	875.4613
In plasticised carton	196x152	□	5/60	875.4614
	294x152	□	2/40	875.4615
	392x152	□	2/30	875.4616
	480x160	□	2/24	875.4617

* For 3-module boxes catalogue number 875.4303
Release installation

876. MINI-TRUNKING AND ACCESSORIES - IP40



WADO Series

Reference standard: CEI 23-32
- Supplied complete with cover



Mini-trunking: standard lid

Dimensions (mm)	Compartments	Colour	Pack qty.	Cat. no.
20x10	1	□	100	• 876.2010
20x15	1	□	70	• 876.2015
30x15	1	□	60	• 876.3015
40x10	2	□	72	• 876.4010
40x15	2	□	44	• 876.4015
40x20	2	□	84	• 876.4020
60x20	3	□	56	• 876.6020
20x10	1	■	100	• 876.2010G
20x15	1	■	70	• 876.2015G
30x15	1	■	60	• 876.3015G
40x10	2	■	72	• 876.4010G
40x15	2	■	44	• 876.4015G
40x20	2	■	84	• 876.4020G
60x20	3	■	56	• 876.6020G

Standard length: 2m.



Mini-trunking: enveloping lid

Dimensions (mm)	Compartments	Colour	Pack qty.	Cat. no.
20x10	1	□	100	-
20x15	1	□	70	• 876.2015AV
30x15	1	□	60	-
40x10	2	□	72	• 876.4010AV
40x15	2	□	44	• 876.4015AV
40x20	2	□	84	• 876.4020AV
60x20	3	□	56	• 876.6020AV

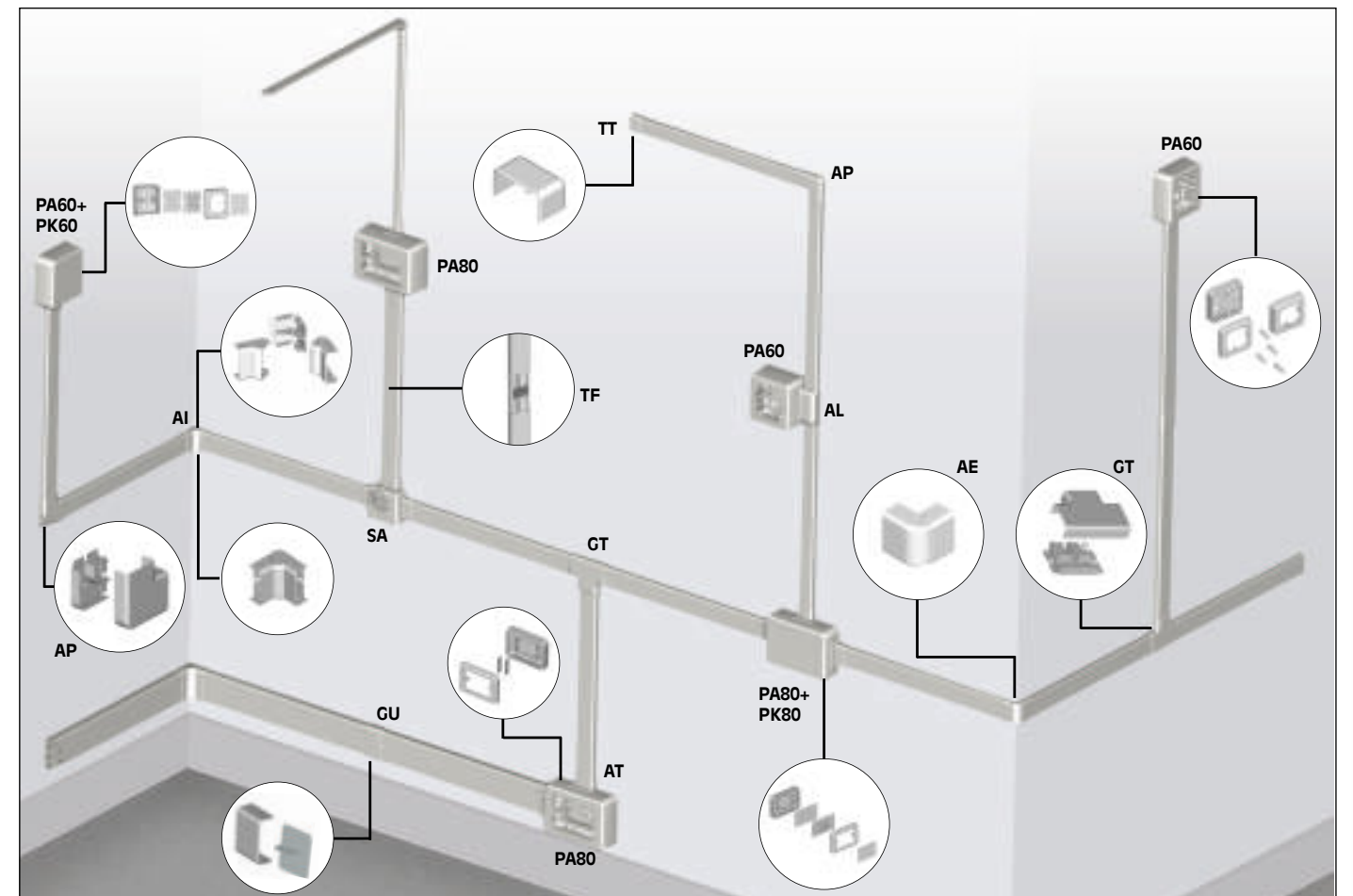
Standard length: 2m.



Mini-trunking: adhesive

Dimensions (mm)	Compartments	Colour	Pack qty.	Cat. no.
12x7	1	□	168	876.1207AD
12x12	1	□	98	876.1212AD
16x12	1	□	70	876.1612AD

Standard length: 2m.



10. TRUNKING SYSTEMS



Flat angles

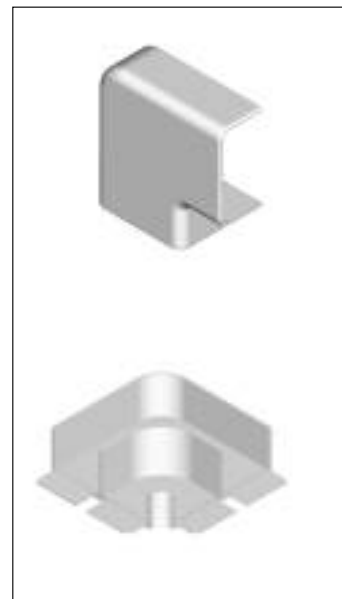
Dimensions (mm)	Compartments	Colour	Pack qty.	Cat. no.
20x10	1	□	30	• 876.AP2010
20x15	1	□	30	• 876.AP2015
30x15	1	□	30	• 876.AP3015
40x10	2	□	30	• 876.AP4010
40x15	2	□	30	• 876.AP4015
40x20	2	□	30	• 876.AP4020
60x20	3	□	30	• 876.AP6020
20x10	1	■	30	• 876.AP2010G
20x15	1	■	30	• 876.AP2015G
30x15	1	■	30	• 876.AP3015G
40x10	2	■	30	• 876.AP4010G
40x15	2	■	30	• 876.AP4015G
40x20	2	■	30	• 876.AP4020G
60x20	3	■	30	• 876.AP6020G



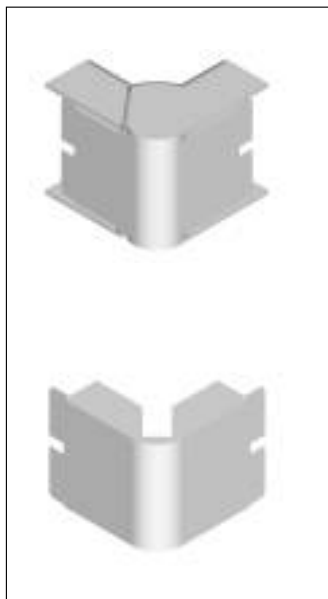
Internal angles

Dimensions (mm)	Compartments	Colour	Pack qty.	Cat. no.
20x10	1	□	30	• 876.AI2010
20x15	1	□	30	• 876.AI2015
30x15	1	□	30	• 876.AI3015
40x10	2	□	30	• 876.AI4010
40x15	2	□	30	• 876.AI4015
40x20	2	□	30	• 876.AI4020
60x20	3	□	30	• 876.AI6020
20x10	1	■	30	• 876.AI2010G
20x15	1	■	30	• 876.AI2015G
30x15	1	■	30	• 876.AI3015G
40x10	2	■	30	• 876.AI4010G
40x15	2	■	30	• 876.AI4015G
40x20	2	■	30	• 876.AI4020G
60x20	3	■	30	• 876.AI6020G

AP - Flat angles



AI - Internal angles



External angles

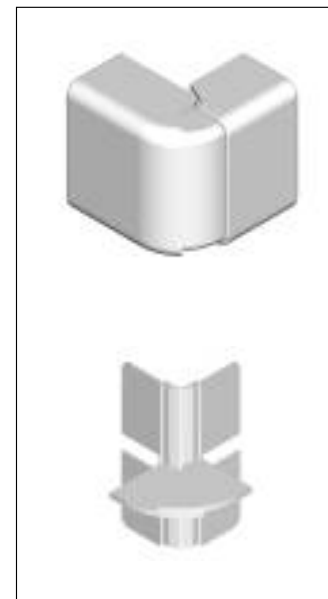
Dimensions (mm)	Compartments	Colour	Pack qty.	Cat. no.
20x10	1	□	30	• 876.AE2010
20x15	1	□	30	• 876.AE2015
30x15	1	□	30	• 876.AE3015
40x10	2	□	30	• 876.AE4010
40x15	2	□	30	• 876.AE4015
40x20	2	□	30	• 876.AE4020
60x20	3	□	30	• 876.AE6020
20x10	1	■	30	• 876.AE2010G
20x15	1	■	30	• 876.AE2015G
30x15	1	■	30	• 876.AE3015G
40x10	2	■	30	• 876.AE4010G
40x15	2	■	30	• 876.AE4015G
40x20	2	■	30	• 876.AE4020G
60x20	3	■	30	• 876.AE6020G



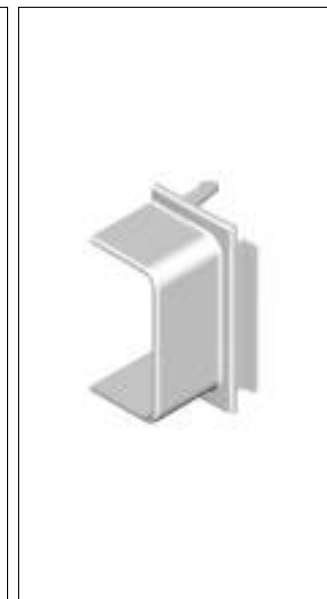
End adaptors

Dimensions (mm)	Compartments	Colour	Pack qty.	Cat. no.
20x10	1	□	30	• 876.AT2010
20x15	1	□	30	• 876.AT2015
30x15	1	□	30	• 876.AT3015
40x10	2	□	30	• 876.AT4010
40x15	2	□	30	• 876.AT4015
40x20	2	□	30	• 876.AT4020
60x20	3	□	30	• 876.AT6020
20x10	1	■	30	• 876.AT2010G
20x15	1	■	30	• 876.AT2015G
30x15	1	■	30	• 876.AT3015G
40x10	2	■	30	• 876.AT4010G
40x15	2	■	30	• 876.AT4015G
40x20	2	■	30	• 876.AT4020G
60x20	3	■	30	• 876.AT6020G

AE - External angles



AT - End adaptors





Side adaptors

Dimensions (mm)	Compartments	Colour	Pack qty.	Cat. no.
20x10	1	□	30	• 876.AL2010
20x15	1	□	30	• 876.AL2015
30x15	1	□	30	• 876.AL3015
20x10	1	■	30	• 876.AL2010G
20x15	1	■	30	• 876.AL2015G
30x15	1	■	30	• 876.AL3015G



Flat tees

Dimensions (mm)	Compartments	Colour	Pack qty.	Cat. no.
20x10	1	□	30	• 876.GT2010
20x15	1	□	30	• 876.GT2015
30x15	1	□	30	• 876.GT3015
40x10	2	□	30	• 876.GT4010
40x15	2	□	30	• 876.GT4015
40x20	2	□	30	• 876.GT4020
60x20	3	□	30	• 876.GT6020
20x10	1	■	30	• 876.GT2010G
20x15	1	■	30	• 876.GT2015G
30x15	1	■	30	• 876.GT3015G
40x10	2	■	30	• 876.GT4010G
40x15	2	■	30	• 876.GT4015G
40x20	2	■	30	• 876.GT4020G
60x20	3	■	30	• 876.GT6020G



Joint covers

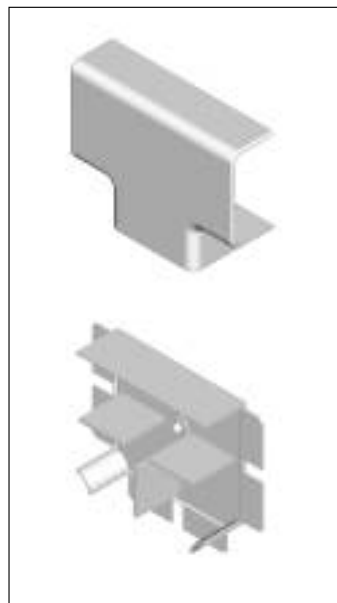
Dimensions (mm)	Compartments	Colour	Pack qty.	Cat. no.
20x10	1	□	30	• 876.GU2010
20x15	1	□	30	• 876.GU2015
30x15	1	□	30	• 876.GU3015
40x10	2	□	30	• 876.GU4010
40x15	2	□	30	• 876.GU4015
40x20	2	□	30	• 876.GU4020
60x20	3	□	30	• 876.GU6020
20x10	1	■	30	• 876.GU2010G
20x15	1	■	30	• 876.GU2015G
30x15	1	■	30	• 876.GU3015G
40x10	2	■	30	• 876.GU4010G
40x15	2	■	30	• 876.GU4015G
40x20	2	■	30	• 876.GU4020G
60x20	3	■	30	• 876.GU6020G



End caps

Dimensions (mm)	Compartments	Colour	Pack qty.	Cat. no.
20x10	1	□	30	• 876.TT2010
20x15	1	□	30	• 876.TT2015
30x15	1	□	30	• 876.TT3015
40x10	2	□	30	• 876.TT4010
40x15	2	□	30	• 876.TT4015
40x20	2	□	30	• 876.TT4020
60x20	3	□	30	• 876.TT6020
20x10	1	■	30	• 876.TT2010G
20x15	1	■	30	• 876.TT2015G
30x15	1	■	30	• 876.TT3015G
40x10	2	■	30	• 876.TT4010G
40x15	2	■	30	• 876.TT4015G
40x20	2	■	30	• 876.TT4020G
60x20	3	■	30	• 876.TT6020G

GT - Flat tees



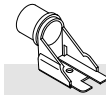
TT - End caps





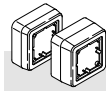
Cable retainer

Dimensions (mm)	Colour	Pack qty.	Cat. no.
20x10		-	-
20x15		30	• 876.TF20
30x15		30	• 876.TF30
40x10			
40x15		30	• 876.TF40
40x20			
60x20		30	• 876.TF60



Connection Ø 16mm

Dimensions (mm)	Compartments	Colour	Pack qty.	Cat. no.
20x10	1		30	• 876.RT2010
20x15	1		30	• 876.RT2015
20x10	1		30	• 876.RT2010G
20x15	1		30	• 876.RT2015G



Box for switches or sockets - 60mm

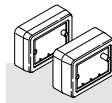
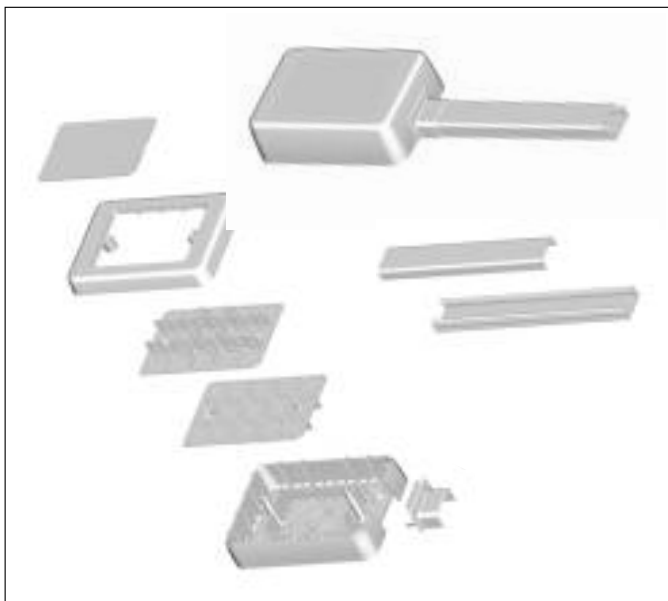
Centre distance component holder	Dimensions	Height	Colour	Pack qty.	Cat. no.
60mm	100x100mm	43mm		10	876.PA6040
		53mm		10	876.PA6040G
60mm	100x100mm	43mm		10	876.PA6050
		53mm		10	876.PA6050G



Junction box kit - 60mm

Centre distance component holder	Colour	Pack qty.	Cat. no.
60mm		10	876.PK60
		10	876.PK60G

Box for switches or sockets



Box for switches or sockets - 83,5mm

Centre distance component holder	Dimensions	Height	Colour	Pack qty.	Cat. no.
83,5mm	142x100mm	43mm		10	• 876.PA8040
		53mm		10	• 876.PA8040G
83,5mm	142x100mm	43mm		10	• 876.PA8050
		53mm		10	• 876.PA8050G



Junction box kit - 83,5mm

Centre distance component holder	Colour	Pack qty.	Cat. no.
60mm		10	• 876.PK80
		10	• 876.PK80G



Junction box

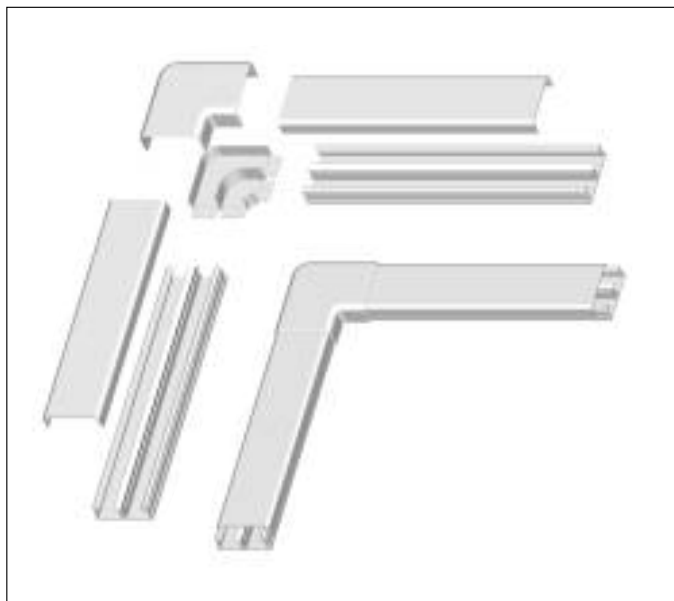
Description	Dimensions	Colour	Pack qty.	Cat. no.
Connector block	67x67mm		1/10	• 876.SA70
			1/10	• 876.SA70G



Fixing accessories

Description	Colour	Pack qty.	Cat. no.
Ø 4mm		100	876.PK04
Ø 5mm		100	876.PK05
Ø 6mm		100	876.PK06

Flat angles



879.

SKIRTING TRUNKING AND ACCESSORIES

WADO Series

Reference standard: CEI 23-19



Skirting trunking

For skirting	Compartments	Colour	Pack qty.	Cat. no.
80	3		20	• 879.0080
			20	• 879.0080A
			20	• 879.0080M
120	3		20	• 879.0120
			20	• 879.0120A
			20	• 879.0120M



Internal angle

For skirting	Compartments	Colour	Pack qty.	Cat. no.
80	3		10	• 879.AI0080
			10	• 879.AI0080A
			10	• 879.AI0080M
120	3		10	• 879.AI0120
			10	• 879.AI0120A
			10	• 879.AI0120M



External angle

For skirting	Compartments	Colour	Pack qty.	Cat. no.
80	3		10	• 879.AE0080
			10	• 879.AE0080A
			10	• 879.AE0080M
120	3		10	• 879.AE0120
			10	• 879.AE0120A
			10	• 879.AE0120M



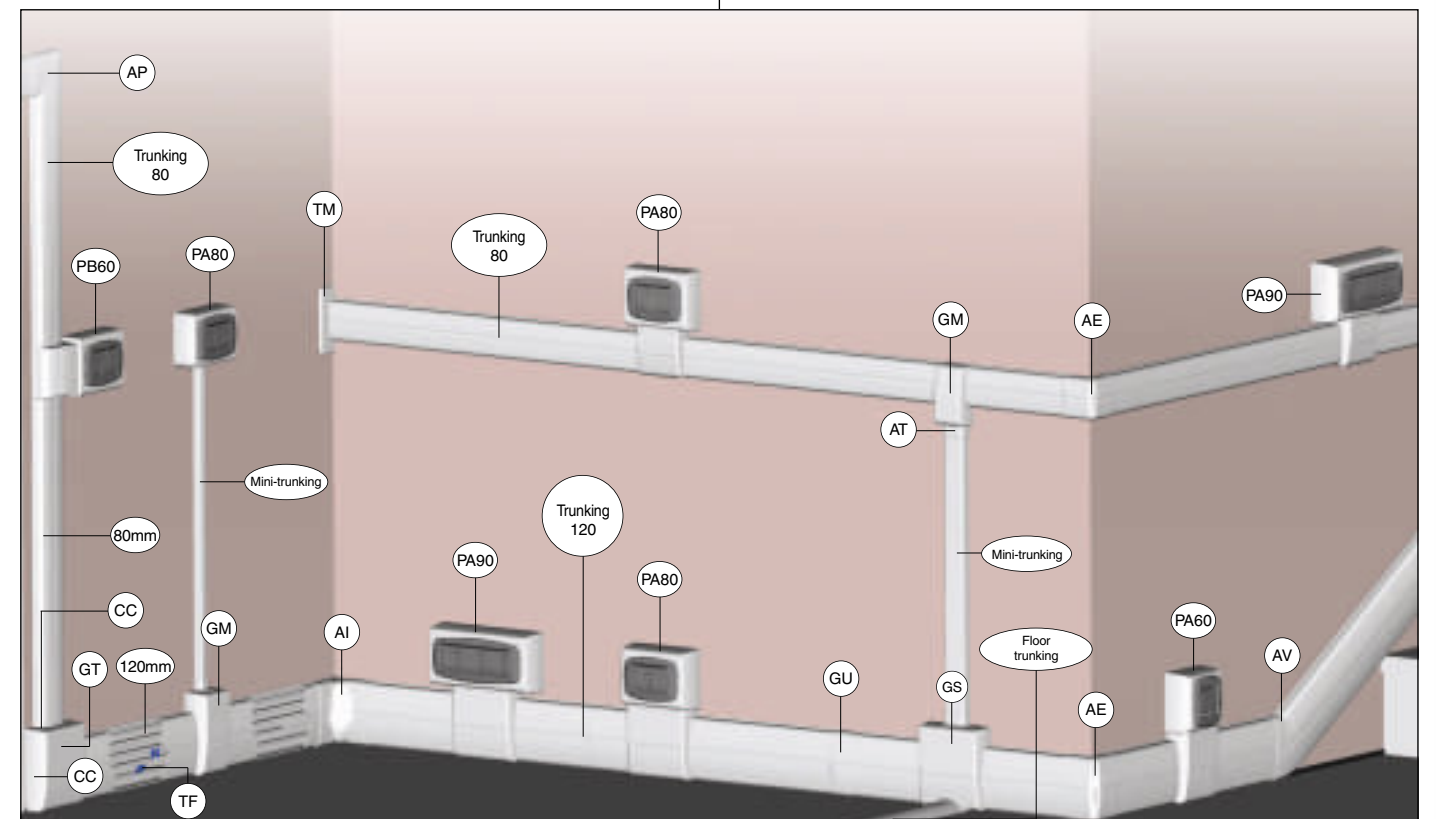
Flat angle

For skirting	Compartments	Colour	Pack qty.	Cat. no.
80	3		10	• 879.AP0080
			10	• 879.AP0080A
			10	• 879.AP0080M
120	3			Use AV



Variable flat angle

For skirting	Compartments	Colour	Pack qty.	Cat. no.
80	3			Use AP
120	3		10	• 879.AV0120
			10	• 879.AV0120A
			10	• 879.AV0120M



Joint cover

For skirting	Compartments	Colour	Pack qty.	Cat. no.
80	3		10	• 879.GU0080
			10	• 879.GU0080A
			10	• 879.GU0080M
120	3		10	• 879.GU0120
			10	• 879.GU0120A
			10	• 879.GU0120M

Flat tees for mini-trunking

For skirting	Compartments	Colour	Pack qty.	Cat. no.
80	3		10	• 879.GM0080
			10	• 879.GM0080A
			10	• 879.GM0080M
120	3		10	• 879.GM0120
			10	• 879.GM0120A
			10	• 879.GM0120M

Flat tees

For skirting	Compartments	Colour	Pack qty.	Cat. no.
80	3		10	• 879.GT0080
			10	• 879.GT0080A
			10	• 879.GT0080M
120	3		10	• 879.GT0120
			10	• 879.GT0120A
			10	• 879.GT0120M

Flat tees

Description	Colour	Pack qty.	Cat. no.
For floor trunking		10	879.GT0007
		10	879.GT0007A
		10	879.GT0007M
		10	879.GT0007G

Flat tees for floor trunking

For skirting	Compartments	Colour	Pack qty.	Cat. no.
80	3		10	• 879.GS0080
			10	• 879.GS0080A
			10	• 879.GS0080M
120	3		10	• 879.GS0120
			10	• 879.GS0120A
			10	• 879.GS0120M

Closing cap - Blind

For skirting	Colour	Pack qty.	Cat. no.
80		10	• 879.CC0080
		10	• 879.CC0080A
		10	• 879.CC0080M
		10	• 879.CC0120
120		10	• 879.CC0120A
		10	• 879.CC0120M

Closing cap - With output for 80 skirting trunking

For skirting	Colour	Pack qty.	Cat. no.
80		-	-
		-	-
		-	-
120		10	• 879.CC0121
		10	• 879.CC0121A
		10	• 879.CC0121M

Closing cap - With output for mini-trunking

For skirting	Colour	Pack qty.	Cat. no.
80		-	-
		-	-
		-	-
120		10	• 879.CC0122
		10	• 879.CC0122A
		10	• 879.CC0122M

Through-wall terminal

For skirting	Compartments	Colour	Pack qty.	Cat. no.
80	3		5	• 879.TM0080
			5	• 879.TM0080A
			5	• 879.TM0080M
120	3		5	• 879.TM0120
			5	• 879.TM0120A
			5	• 879.TM0120M

End cap

For skirting	Compartments	Colour	Pack qty.	Cat. no.
80	3		10	• 879.TT0080
			10	• 879.TT0080A
			10	• 879.TT0080M
120	3		10	• 879.TT0120
			10	• 879.TT0120A
			10	• 879.TT0120M

Fitting for italian phone outlet

For skirting	Compartments	Colour	Pack qty.	Cat. no.
80	3		10	• 879.TE0080
			10	• 879.TE0080A
			10	• 879.TE0080M
120	3		-	Use
			-	TE0080
			-	TE0080

Cable retainer

Description	Colour	Pack qty.	Cat. no.
Cable retainer		30	• 879.TF80

Compartment cover

Description	Colour	Pack qty.	Cat. no.
Section cover		20	• 879.CP80

60 mm Box - 2 modules

Distance between centres	For skirting	Depth	Colour	Pack qty.	Cat. no.
60 mm	80 mm	53 mm		5	• 879.PA6050
				5	• 879.PA6050A
		5	• 879.PA6050M		
	120 mm	53 mm		5	• 879.PA6051
				5	• 879.PA6051A
		5	• 879.PA6051M		

120 mm Box - 6 modules

Distance between centres	For skirting	Depth	Colour	Pack qty.	Cat. no.
120 mm	80 mm	53 mm		5	• 879.PA9050
				5	• 879.PA9050A
		5	• 879.PA9050M		
	120 mm	53 mm		5	• 879.PA9051
				5	• 879.PA9051A
		5	• 879.PA9051M		

83.5 mm Box - 3 modules

Distance between centres	For skirting	Depth	Colour	Pack qty.	Cat. no.
83.5 mm	80 mm	43 mm		5	• 879.PA8040
				5	• 879.PA8040A
		5	• 879.PA8040M		
	80 mm	53 mm		5	• 879.PA8050
				5	• 879.PA8050A
		5	• 879.PA8050M		
120 mm	53 mm		5	• 879.PA8051	
			5	• 879.PA8051A	
	5	• 879.PA8051M			

83.5 mm Box - 3 modules

Distance between centres	For skirting	Depth	Colour	Pack qty.	Cat. no.
83.5 mm	80 mm	43 mm		5	• 879.PB8040
				5	• 879.PB8040A
		5	• 879.PB8040M		
	80 mm	53 mm		5	• 879.PB8050
				5	• 879.PB8050A
		5	• 879.PB8050M		

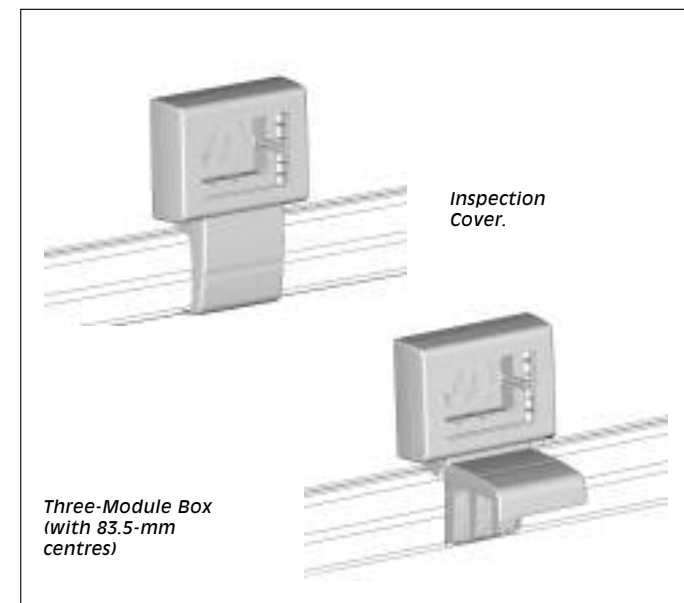
Blank cover

Distance between centres	Boxes	Colour	Pack qty.	Cat. no.
60 mm	PA60		5	• 879.PD60
			5	• 879.PD60A
			5	• 879.PD60M
83.5 mm	PA80/PB80		5	• 879.PD80
			5	• 879.PD80A
			5	• 879.PD80M

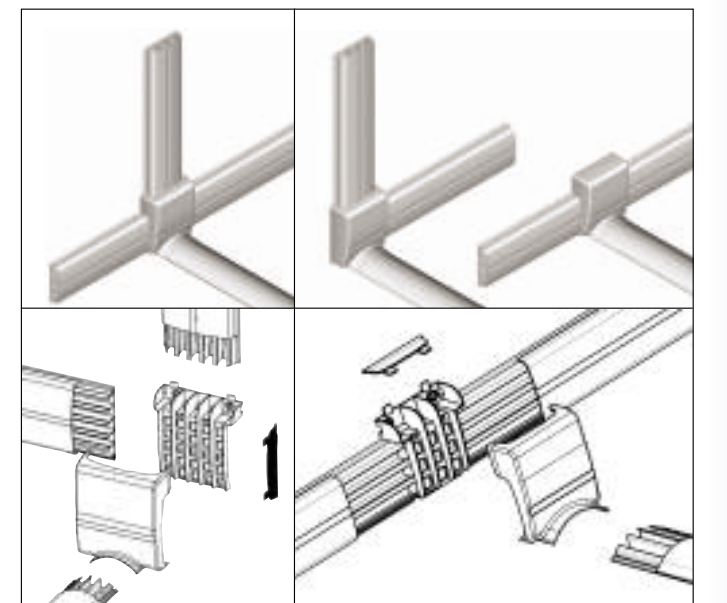
Floor trunking

Description	Colour	Pack qty.	Cat. no.
70 mm overfloor duct		20 m	879.0007
		20 m	879.0007A
		20 m	879.0007M
		20 m	879.0007G

Box for wiring accessories



Flat tees for floor trunking



This catalogue is a summary of a wide range of products made by SCAME PARRE Spa.
For any further information or specific needs, please visit the ScameOnLine web site
(<http://www.scame.com>) or call the company directly or your country's official importer.

Scame Parre S.p.A. reserves the right to make changes
and improvements to its products illustrated in this
catalogue, without notice, as a consequence of the constant
process of production, technological and regulatory modifications.
