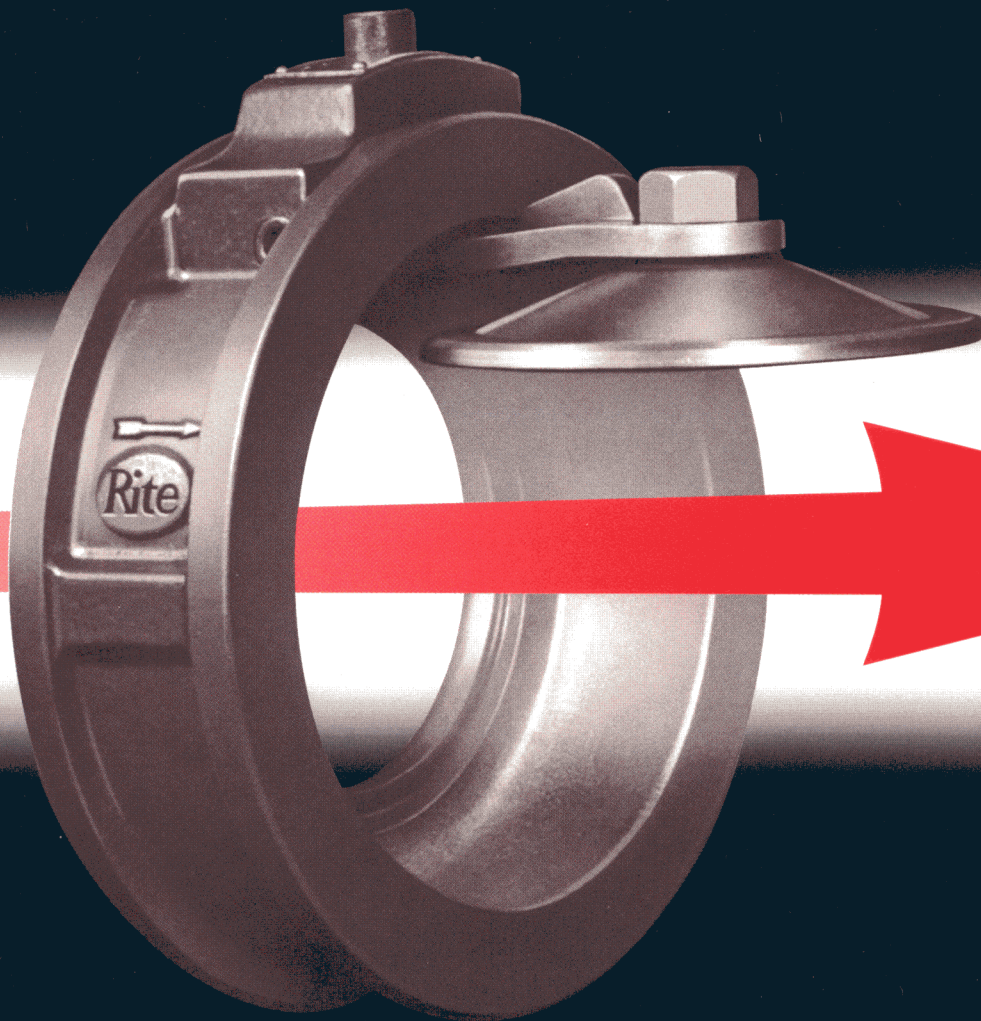


Superior Performance
Check Rite®
Check Valves for Fire Protection Systems



Ritepro Corporation
Montreal, Canada

Check Rite superior wafer check valves for fire protection systems.

Check Rite offers end-users the latest state of the art in check valve design. They are installed in fire protection systems in accordance with the standards of the National Fire Protection Association.



Listed by Underwriters Laboratories of Canada for use:

1. Foam Extinguishing Systems NFPA No. 11
2. Installation of Sprinkler Systems NFPA No. 13
3. Standpipe and Hose Systems NFPA No. 14
4. Water Spray Systems for Fire Protection NFPA No. 15
5. Installation of Centrifugal Pumps NFPA No. 20
6. Water Tanks for Private Fire Protection NFPA No. 22
7. Outside Protection NFPA No. 24

File CEX429



Factory Mutual Systems approved for use:

Discharge Lines Fire Pumps
Fire Protection Systems
Serial No. J.I. 1H7A8.AH (1230)

Dependable

Check Rite superior wafer design has established a record of dependability in thousands of industrial and fire protection applications in North America and around the world. End-users are assured of long life, trouble-free protection and reliable control of their fire protection systems.

Saves money

They cost less than conventional valves. In addition, they are easily installed between any type of flange and require only one set of flange studs which span the valve. End-users enjoy significant savings when they install Check Rite.

Light and strong

Check Rite valves are light, so line stress is reduced to a minimum. Yet the installed valve assembly is more rigid than an equivalent length of heavy-walled pipe.

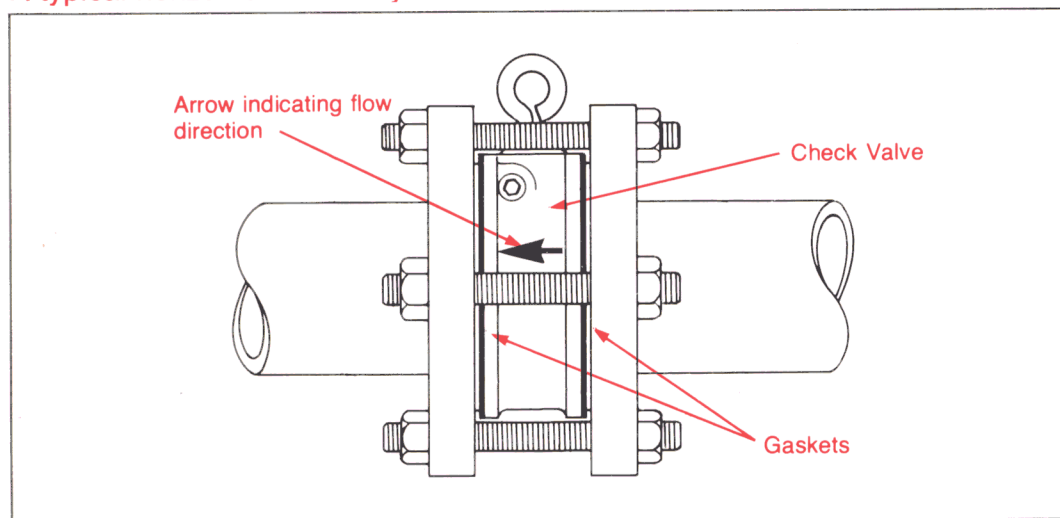
Smooth, fully automatic operation

Designed to be fully automatic in function. The smooth opening and closing action reduces line hammer to a minimum. They are engineered to present an essentially unobstructed orifice. See photo of valve fully open. →

Simplified design

Check Rite is made with a minimum of parts. The 304 stainless steel trim and resilient O'Ring seat ensures long life. The single O'Ring ensures a complete leak-free seal.

A typical horizontal assembly



The valve is shown in the above illustration between two flanges. Note the single set of studs. Check Rite fits all ANSI flanges. It may be installed in various ways depending on the specifications required for the system.

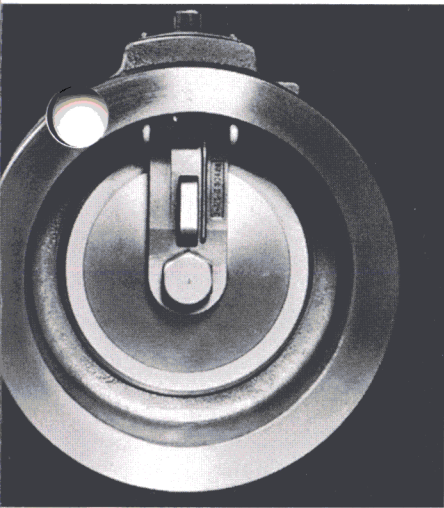
Check Rite Parts and Material

Item	Description	Material
1	Body	Cast Iron ASTM
2	Hinge	S/S 304, ASTM
4	Shoulder Pin	S/S 304, ASTM
5	Spring	S/S 316, ASTM
6	Spacer	Teflon
7	Hinge Pin	S/S 304, ASTM
8	Plug	Steel, Zinc Plated
9	Lock Nut	Steel, Zinc Plated
10	Eye Bolt	Steel, Zinc Plated
11	Name Plate	Aluminum
12	Disc	S/S 304, ASTM
13	Rivets	Steel, Cadmium P
14	O-Ring	Buna "N"

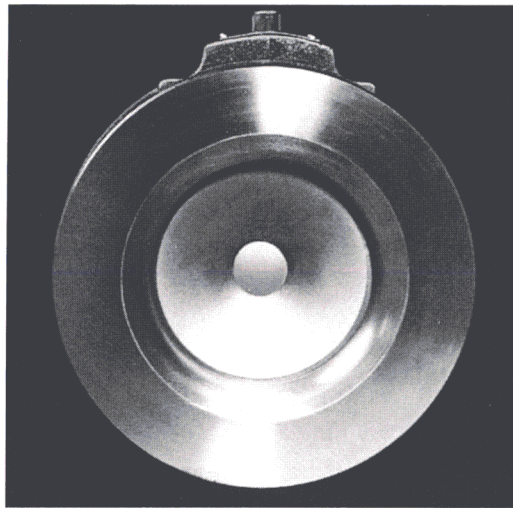
How to order

Use Ritepro code designation 212 preceded by size in either inches or millimeters as follows:
12 only 2" 212 Check Valves
or
12 only 50 mm 212 Check Valves

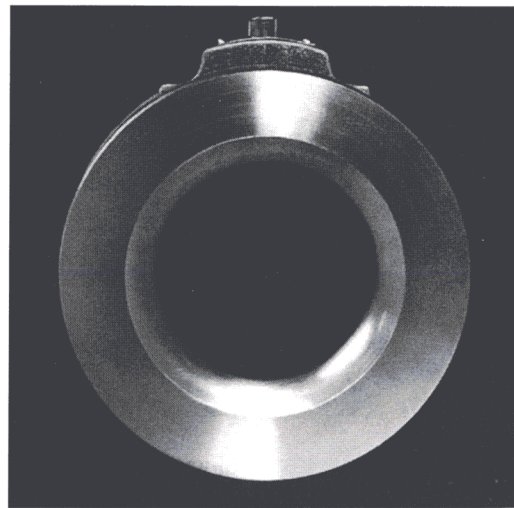
Front View



Back View



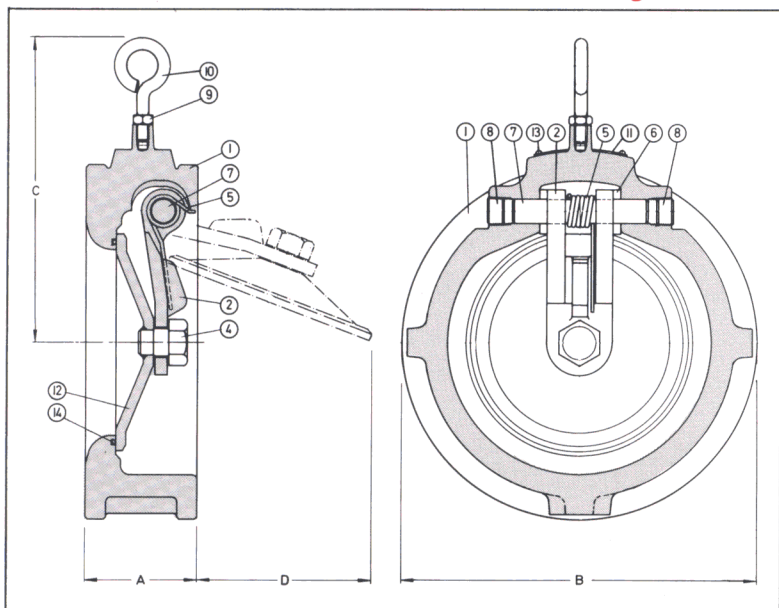
Fully Open



able, trouble-free action

above photographs show the functional features of the valve. The last photo on the right shows how Check Rite wafer check valves present a virtually unobstructed opening with minimum turbulence.

ANSI Series 125 Rated at 250 PSI Cold Working Pressure

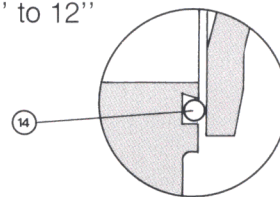


-126 CLB
-351
-479
-479
-479
-479
-240
ed

Model 212

Resilient O'Ring Seat Features

Sizes 2" to 12"



1. A truly dynamic seal, mechanically contained in a specially designed groove.
2. Unique in design and application.
3. As pressure is applied to the valve disc, the seal is compressed into the groove, ensuring a consistent and uniform seal.
4. The load on the seal is controlled reducing wear for longer life.
5. Maintenance is simple as the O'Ring is easily removed and replaced when worn.

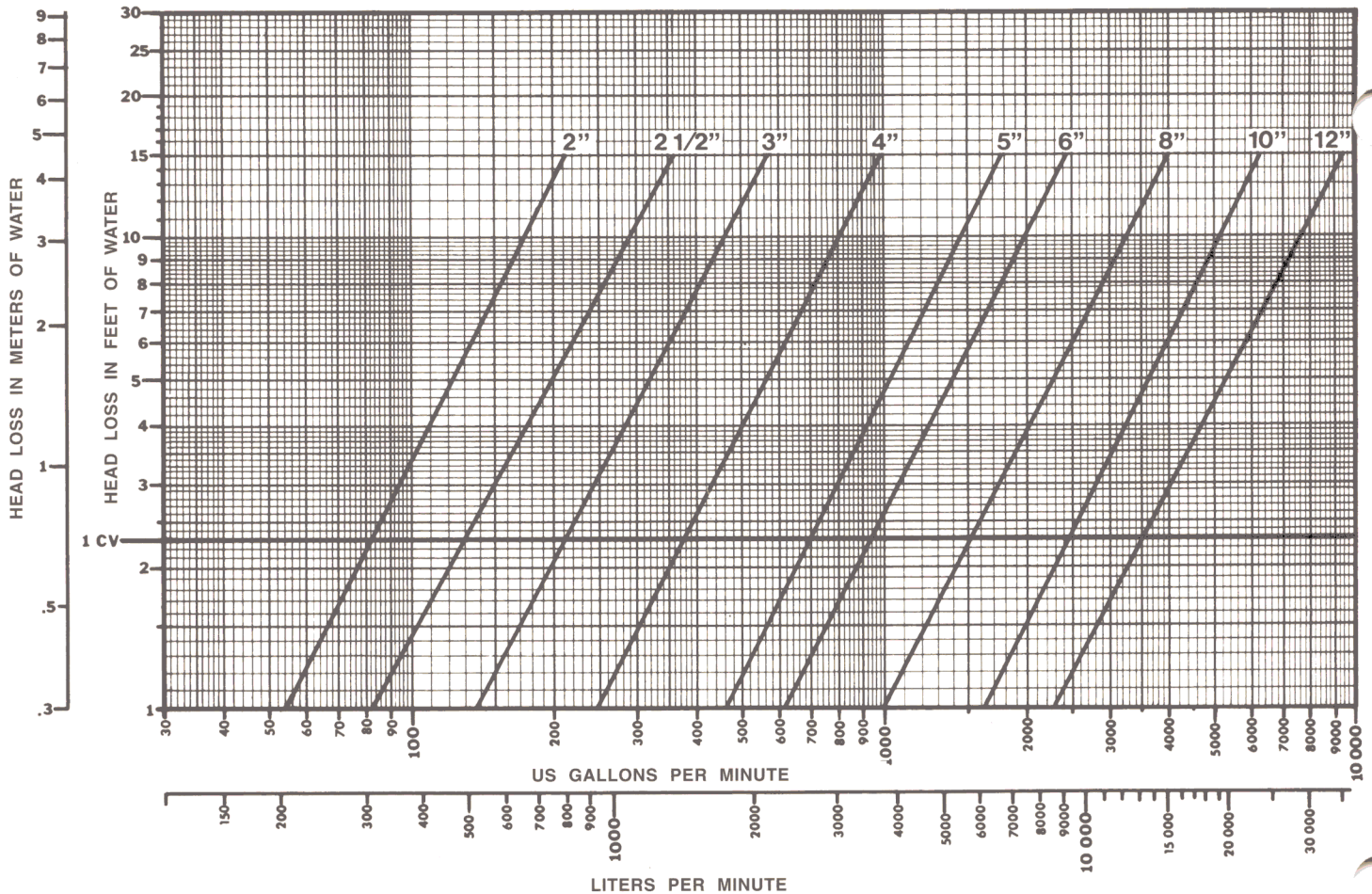
Valve Dimensions in Inches and Millimeters and Weights

Nominal Pipe Size		A		B		C		D		Weight in	
Inch	mm	Inch	mm	Inch	mm	Inch	mm	Inch	mm	lbs	kg
2	50	2 1/8	54	4 1/8	104.8	4 5/8	117.5	1	25.4	4.9	2.2
2 1/2	65	2 3/8	60.3	4 7/8	123.8	5	127	1 3/8	34.9	6.4	2.9
3	80	2 5/8	66.7	5 3/8	136.5	5 7/16	138.1	1 5/8	41.2	8.5	3.9
4	100	2 1/4	57.1	6 7/8	174.6	6 1/4	158.7	2 3/4	69.8	11.6	5.3
5	125	2 1/2	63.5	7 3/4	196.8	6 3/4	171.4	3 5/8	92	15.5	7.0
6	150	2 3/4	69.8	8 3/4	222.2	7 1/2	190.5	4 1/2	114.3	20.6	9.4
8	200	2 7/8	73	11	279.4	8 3/4	222.2	5 3/4	146	33.0	15.0
10	250	3 1/8	79.4	13 3/8	339.7	10	254	7 1/2	190.5	48.5	22.0
12	300	3 3/8	85.7	16 1/8	409.6	11 1/4	285.7	8 3/4	222.2	72.8	33.0

Bolting

Number	Diameter		Length	
	Inch	mm	Inch	mm
4	5/8	15.9	5 1/4	133.4
4	5/8	15.9	5 3/4	146
4	5/8	15.9	6	152.4
8	5/8	15.9	6	152.4
8	3/4	19	6 1/4	158.8
8	3/4	19	7	177.8
8	3/4	19	7	177.8
12	7/8	22.2	7 3/4	196.9
12	7/8	22.2	8	203.2

This Chart Applies to ANSI Series 125, Model 212 Check Rite Valve



LOSSES SHOWN ARE BASED ON NRC TESTS - WATER AT 68°F (20°C)

Prices and Quotations

Prices quoted do not include taxes and are F.O.B. our plant. All quotations by our distributors are subject to confirmation and acceptance by head office. Quotations are firm for 30 days.

Registration

Valves are registered in all Canadian Provinces under the authority of the Boiler and Pressure Vessels Act, as detailed in CSA Standard B51.

Base Canadian Registration Number OC 0576.6

Cancellations and Returns

Firm orders accepted by us may only be cancelled subject to recovery of costs incurred. No goods may be returned for credit unless authorized by head office and subject to restocking and handling charges.

Warranty

Ritepro Corporation warrants any of its products against defects of materials or workmanship for a period of one year from date of shipment and is limited to repair, replacement or refunding of purchase price. We will not be responsible for any claims for labour or any other expenses or consequential or secondary damages in any case.



Ritepro Corporation
A subsidiary of Bray International Inc.

12200 Albert Hudon
Montreal (Quebec) Canada H1G 3K7
Tel.: (514) 324-8900 • Fax: (514) 324-9525

ritepro@netcom.ca

13333 Westland East Blvd.
Houston, Texas 77041
Tel.: (281) 517-5407 • Fax (281) 894-0022

ritepro@bray.com

Distributed by: