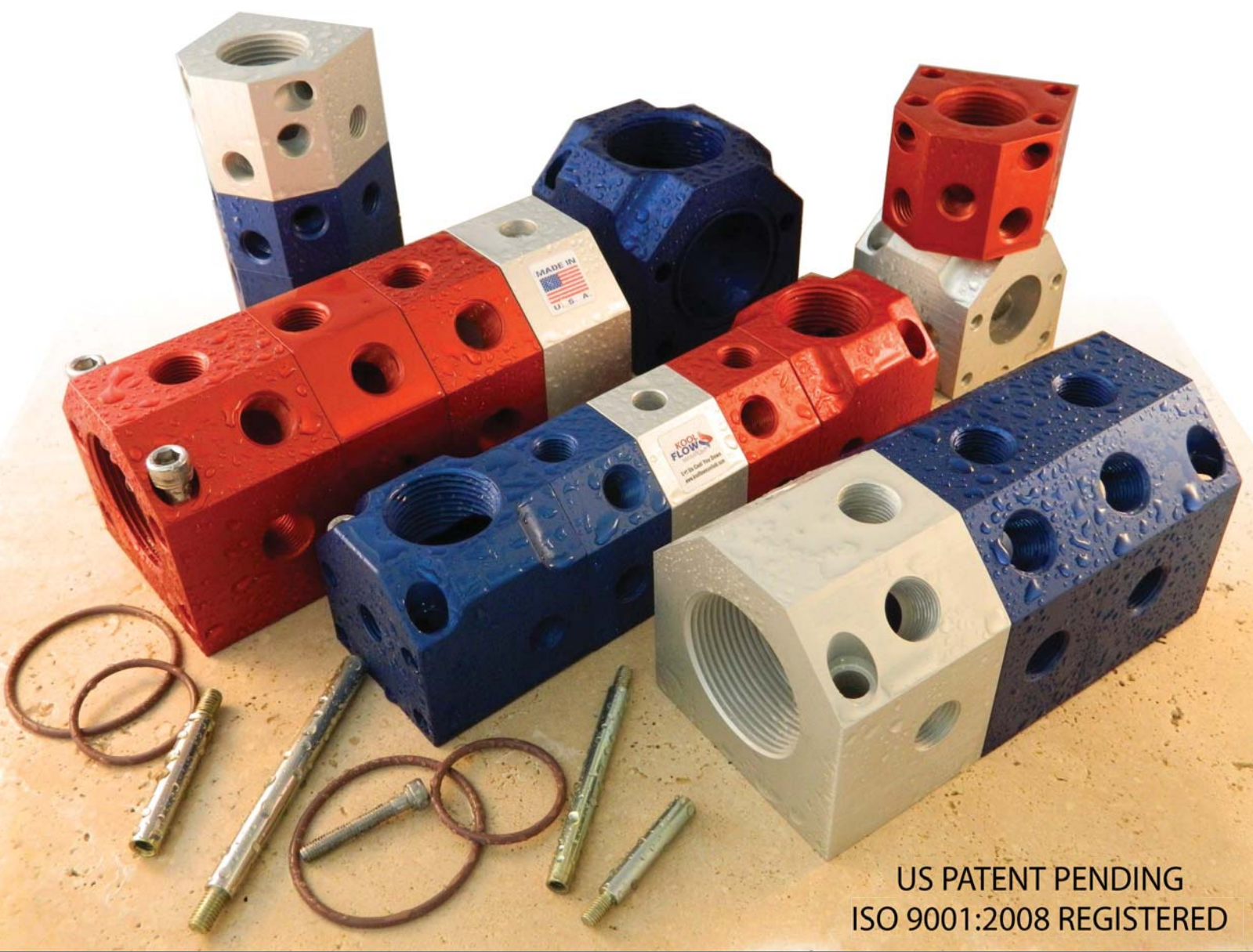


KOOL FLOW

MANIFOLD



US PATENT PENDING
ISO 9001:2008 REGISTERED

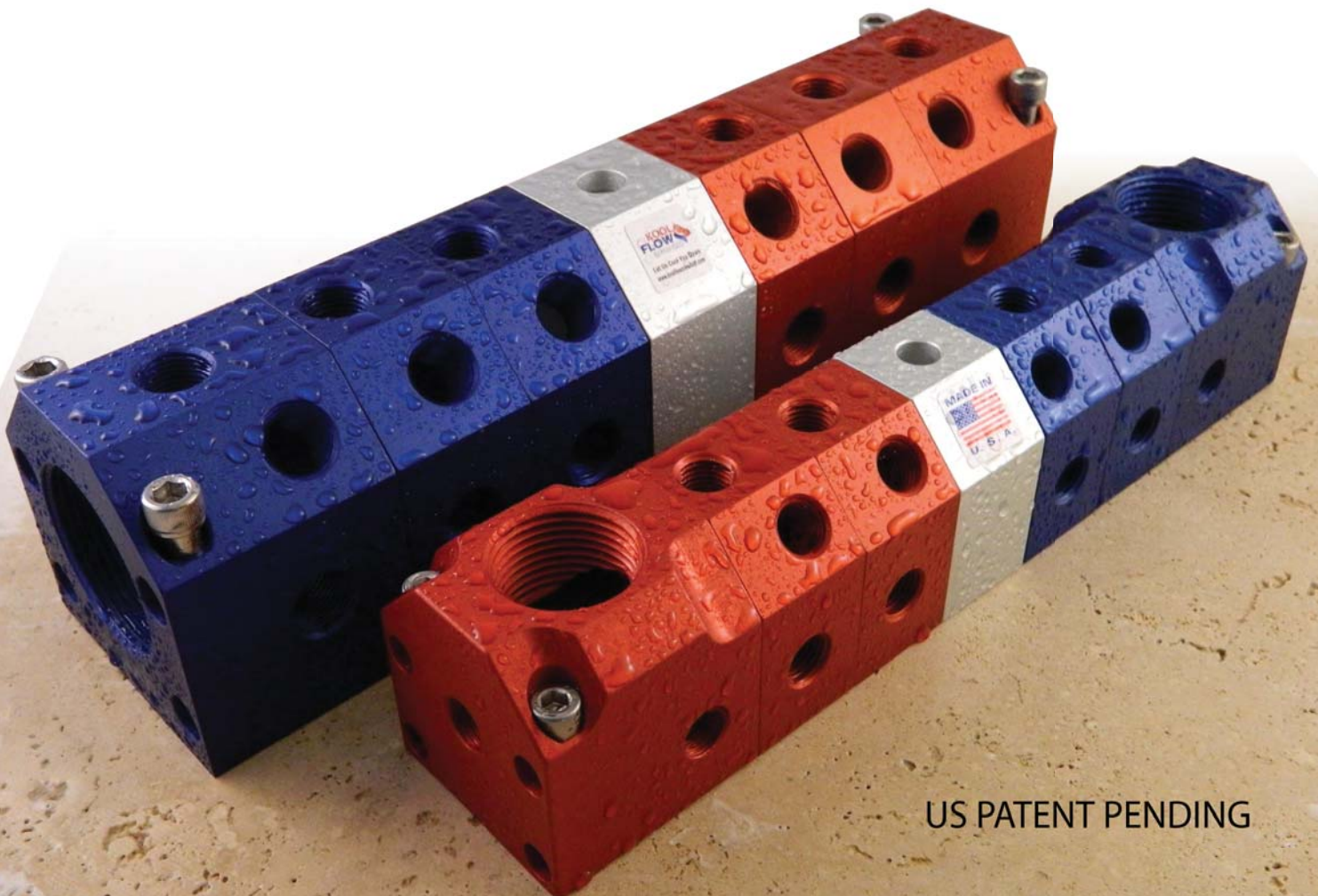
FLEXIBLE MANIFOLD SYSTEM

INTRODUCING THE **FB SERIES WATER MANIFOLD** DESIGNED WITH MORE THOUGHT THAN ANY WATER MANIFOLD ON THE MARKET

The FB Series water manifold is exactly what you expect from the industry's number one water manifold supplier. Designed with our exclusive FLEX BLOCK TECHNOLOGY features, the FB Series delivers superior design and flexibility to meet the most demanding applications. Nobody knows water manifolds like KOOL Flow Manifold and the FB Series Flex Block proves it.

QUICK SHIPMENT: Design principles allows manufacturing to have 24-hour shipping because we just assemble to order "vs" reacting to the order.

FLEXIBLE DESIGN: Four Patented modular block assemblies can be used for multiple application needs. Flex design reduces assembly time and allows modifications for the "OOPS" to change on the fly. O-ring seals protect against leaks between modular block assemblies.



US PATENT PENDING

Table of Contents



| | |
|---|-------|
| PRODUCT OVERVIEW..... | 1-2 |
| FB2 ASSEMBLIES (Port-to-Divide / Port-to-Port)..... | 3-4 |
| FB2 ASSEMBLIES (Port-to-Blank)..... | 5-6 |
| FB2 INDIVIDUAL COMPONENTS..... | 7-8 |
| FB3 ASSEMBLIES (Port-to-Divide / Port-to-Port)..... | 9-10 |
| FB3 ASSEMBLIES (Port-to-Blank)..... | 11-12 |
| FB3 INDIVIDUAL COMPONENTS..... | 13-14 |
| COMING 2013..... | 15 |
| ACCESSORIES..... | 16 |



ISO 9001:2008 REGISTERED

Easily Choose the Product that suits your Application!

1. Select the **Inlet Size** (1" = FB2 or 1-1/2" = FB3)
2. Select the **Inlet Style** that best fits in your envelope (Straight or 90 Degree)
3. Determine the **Assembly Style** (Port-to-Port, Port-to-Blank or Port-to-Divide)
4. Determine how many total **Outlet Holes** your application needs.

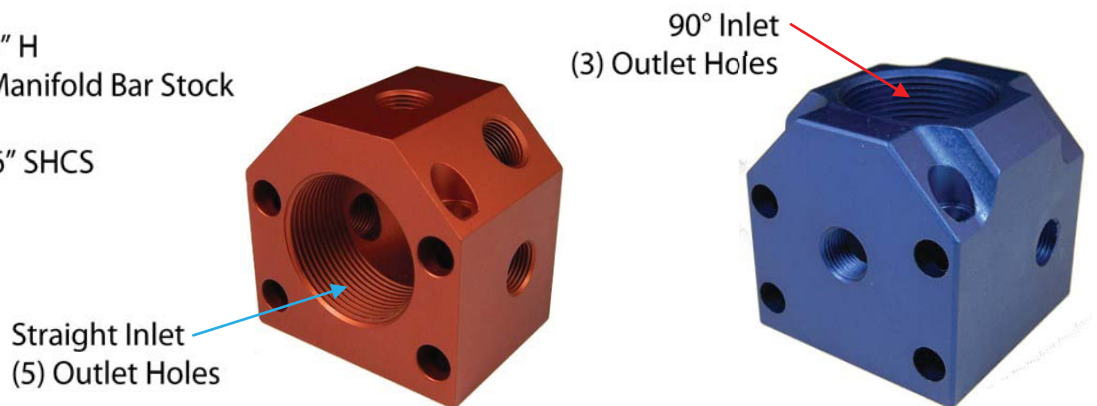
FB2 Series = 1" NPT Inlet

Block Size: 2.25" W x 2.25" H
Material: 6061-T6 Alum Manifold Bar Stock
Finish: Anodized
Mounting Hole Size: 1/4" SHCS
Inlet Hole: 1" NPT
Outlet Hole: 1/4" or 3/8"



FB3 Series = 1-1/2" NPT Inlet

Block Size: 3.00" W x 3.00" H
Material: 6061-T6 Alum Manifold Bar Stock
Finish: Anodized
Mounting Hole Size: 5/16" SHCS
Inlet Hole: 1-1/2" NPT
Outlet Hole: 3/8" or 1/2"



Applications

- Injection Molding
- Resistant Welding
- Pneumatic Control
- Vacuum Forming
- Die Casting
- Extrusion Technology
- Water Distribution

Features & Benefits

- Modular Construction
- Aluminum Material: Light Weight & Long Lasting
- Anodized for Corrosion Protection
- Various Port Size Options for Flexibility
- Pre-Drilled Mounting Holes
- Viton O-Rings & Tie Rods Included
- Stock Available for 24-Hour Shipment

Visit www.pcs-company.com to use our e-KOOL Assembly Configurator

Select the Assembly Style:

Limited for space? With a port-to-port configuration you can separate Hot & Cold and mount in different locations.

With a port-to-blank configuration you can eliminate the costly end plug and still mount the Hot & Cold in different locations.

Combine your cooling needs into one manifold. Separate Hot & Cold with a Mid-Block and mount in one easy location.

Port-to-Port (PP)



Color: Red/Silver or Blue/Silver
of Inlets: One each End
of Outlets: (25) Max.
of Block: (5) Max.

Port-to-Blank (PB)



Color: Red/Silver or Blue/Silver
of Inlets: One
of Outlets: (25) Max.
of Block: (6) Max.

Port-to-Divide (PD)



Color: Red/Silver/Blue
of Inlets: One each End
of Outlets: (50) Max.
of Block: (11) Max.

90° Port-to-Port (PP)



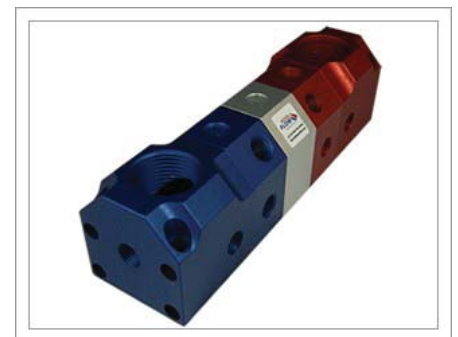
Color: Red/Silver or Blue/Silver
of Inlets: One each End
of Outlets: (21) Max.
of Block: (5) Max.

90° Port-to-Blank (PB)



Color: Red/Silver or Blue/Silver
of Inlets: One
of Outlets: (23) Max.
of Block: (6) Max.

90° Port-to-Divide (PD)

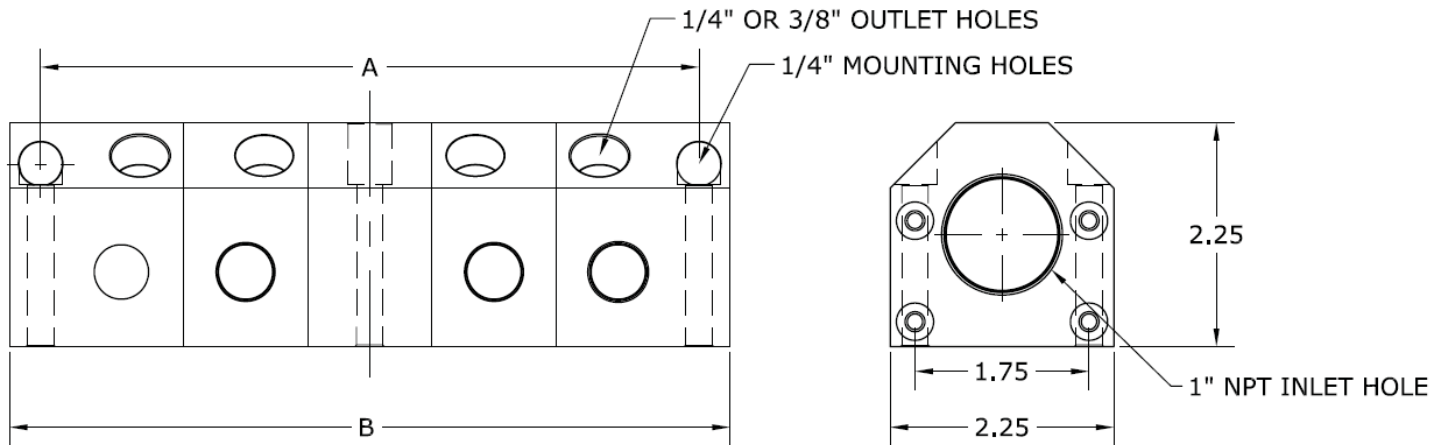


Color: Red/Silver/Blue
of Inlets: One each End
of Outlets: (46) Max.
of Block: (11) Max.

*90 Degree Inlets reduce the overall package envelope even further. The expensive 90 degree brass fittings are also eliminated.

Manifolds are assembled to order and shipped same day in most cases.

Typical Dimensioning for FB2 Series Assemblies



Port-to-Divide (PD)

| Assembly No. | Outlet Size | # of Red Outlets | # of Blue Outlets | # of Inlets | Dim. A | Dim. B | Price |
|--------------|-------------|------------------|-------------------|-------------|--------|--------|-----------|
| FB2-1-4-PD | 1/4" | 5 | 5 | 2 | 4.13" | 4.75" | \$ 77.61 |
| FB2-2-4-PD | 1/4" | 10 | 10 | 2 | 6.63" | 7.25" | \$ 120.49 |
| FB2-3-4-PD | 1/4" | 15 | 15 | 2 | 9.13" | 9.75" | \$ 163.37 |
| FB2-4-4-PD | 1/4" | 20 | 20 | 2 | 11.63" | 12.25" | \$ 206.25 |
| FB2-5-4-PD | 1/4" | 25 | 25 | 2 | 14.13" | 14.75" | \$ 249.13 |
| FB2-1-6-PD | 3/8" | 5 | 5 | 2 | 4.13" | 4.75" | \$ 77.61 |
| FB2-2-6-PD | 3/8" | 10 | 10 | 2 | 6.63" | 7.25" | \$ 120.49 |
| FB2-3-6-PD | 3/8" | 15 | 15 | 2 | 9.13" | 9.75" | \$ 163.37 |
| FB2-4-6-PD | 3/8" | 20 | 20 | 2 | 11.63" | 12.25" | \$ 206.25 |
| FB2-5-6-PD | 3/8" | 25 | 25 | 2 | 14.13" | 14.75" | \$ 249.13 |



90° Port-to-Divide (PD)

| Assembly No. | Outlet Size | # of Red Outlets | # of Blue Outlets | # of Inlets | Dim. A | Dim. B | Price |
|--------------|-------------|------------------|-------------------|-------------|--------|--------|-----------|
| FB290-1-4-PD | 1/4" | 3 | 3 | 2 | 5.13" | 5.75" | \$ 108.63 |
| FB290-2-4-PD | 1/4" | 8 | 8 | 2 | 7.63" | 8.25" | \$ 151.51 |
| FB290-3-4-PD | 1/4" | 13 | 13 | 2 | 10.13" | 10.75" | \$ 194.39 |
| FB290-4-4-PD | 1/4" | 18 | 18 | 2 | 12.63" | 13.25" | \$ 237.27 |
| FB290-5-4-PD | 1/4" | 23 | 23 | 2 | 15.13" | 15.75" | \$ 280.15 |
| FB290-1-6-PD | 3/8" | 3 | 3 | 2 | 5.13" | 5.75" | \$ 108.63 |
| FB290-2-6-PD | 3/8" | 8 | 8 | 2 | 7.63" | 8.25" | \$ 151.51 |
| FB290-3-6-PD | 3/8" | 13 | 13 | 2 | 10.13" | 10.75" | \$ 194.39 |
| FB290-4-6-PD | 3/8" | 18 | 18 | 2 | 12.63" | 13.25" | \$ 237.27 |
| FB290-5-6-PD | 3/8" | 23 | 23 | 2 | 15.13" | 15.75" | \$ 280.15 |



FB2 Series Assemblies



FB2-3-4-R-PP
SHOWN



FB2-3-4-B-PP
SHOWN



Port-to-Port (PP)

| Assembly No. | Outlet Size | Block Color | # of Outlets | # of Inlets | Dim. A | Dim. B | Price |
|--------------|-------------|-------------|--------------|-------------|--------|--------|-----------|
| FB2-2-4-R-PP | 1/4" | Red | 10 | 2 | 2.88" | 3.50" | \$ 62.33 |
| FB2-3-4-R-PP | 1/4" | Red | 15 | 2 | 4.13" | 4.75" | \$ 83.77 |
| FB2-4-4-R-PP | 1/4" | Red | 20 | 2 | 5.38" | 6.00" | \$ 105.21 |
| FB2-5-4-R-PP | 1/4" | Red | 25 | 2 | 6.63" | 7.25" | \$ 126.65 |
| FB2-2-4-B-PP | 1/4" | Red | 10 | 2 | 2.88" | 3.50" | \$ 62.33 |
| FB2-3-4-B-PP | 1/4" | Red | 15 | 2 | 4.13" | 4.75" | \$ 83.77 |
| FB2-4-4-B-PP | 1/4" | Red | 20 | 2 | 5.38" | 6.00" | \$ 105.21 |
| FB2-5-4-B-PP | 1/4" | Red | 25 | 2 | 6.63" | 7.25" | \$ 126.65 |
| FB2-2-6-R-PP | 3/8" | Blue | 10 | 2 | 2.88" | 3.50" | \$ 62.33 |
| FB2-3-6-R-PP | 3/8" | Blue | 15 | 2 | 4.13" | 4.75" | \$ 83.77 |
| FB2-4-6-R-PP | 3/8" | Blue | 20 | 2 | 5.38" | 6.00" | \$ 105.21 |
| FB2-5-6-R-PP | 3/8" | Blue | 25 | 2 | 6.63" | 7.25" | \$ 126.65 |
| FB2-2-6-B-PP | 3/8" | Blue | 10 | 2 | 2.88" | 3.50" | \$ 62.33 |
| FB2-3-6-B-PP | 3/8" | Blue | 15 | 2 | 4.13" | 4.75" | \$ 83.77 |
| FB2-4-6-B-PP | 3/8" | Blue | 20 | 2 | 5.38" | 6.00" | \$ 105.21 |
| FB2-5-6-B-PP | 3/8" | Blue | 25 | 2 | 6.63" | 7.25" | \$ 126.65 |

FB290-3-4-R-PP
SHOWN



FB290-3-4-B-PP
SHOWN

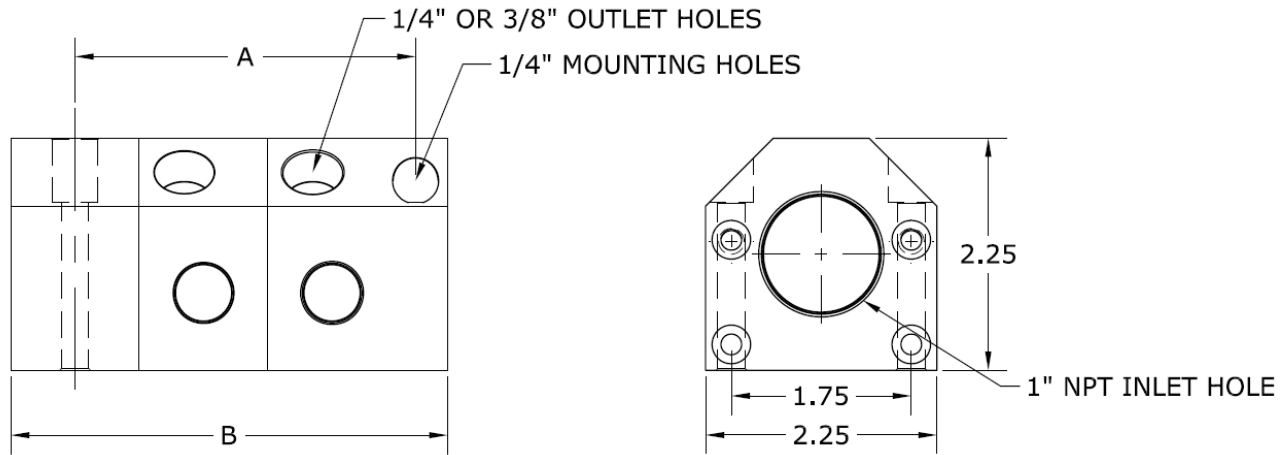


90° Port-to-Port (PP)

| Assembly No. | Outlet Size | Block Colors | # of Outlets | # of Inlets | Dim. A | Dim. B | Price |
|----------------|-------------|--------------|--------------|-------------|--------|--------|-----------|
| FB290-2-4-R-PP | 1/4" | Red | 6 | 2 | 3.88" | 4.50" | \$ 93.35 |
| FB290-3-4-R-PP | 1/4" | Red | 11 | 2 | 5.13" | 5.75" | \$ 114.79 |
| FB290-4-4-R-PP | 1/4" | Red | 16 | 2 | 6.38" | 7.00" | \$ 136.23 |
| FB290-5-4-R-PP | 1/4" | Red | 21 | 2 | 7.63" | 8.25" | \$ 157.67 |
| FB290-2-4-B-PP | 1/4" | Blue | 6 | 2 | 3.88" | 4.50" | \$ 93.35 |
| FB290-3-4-B-PP | 1/4" | Blue | 11 | 2 | 5.13" | 5.75" | \$ 114.79 |
| FB290-4-4-B-PP | 1/4" | Blue | 16 | 2 | 6.38" | 7.00" | \$ 136.23 |
| FB290-5-4-B-PP | 1/4" | Blue | 21 | 2 | 7.63" | 8.25" | \$ 157.67 |
| FB290-2-6-R-PP | 3/8" | Red | 6 | 2 | 3.88" | 4.50" | \$ 93.35 |
| FB290-3-6-R-PP | 3/8" | Red | 11 | 2 | 5.13" | 5.75" | \$ 114.79 |
| FB290-4-6-R-PP | 3/8" | Red | 16 | 2 | 6.38" | 7.00" | \$ 136.23 |
| FB290-5-6-R-PP | 3/8" | Red | 21 | 2 | 7.63" | 8.25" | \$ 157.67 |
| FB290-2-6-B-PP | 3/8" | Blue | 6 | 2 | 3.88" | 4.50" | \$ 93.35 |
| FB290-3-6-B-PP | 3/8" | Blue | 11 | 2 | 5.13" | 5.75" | \$ 114.79 |
| FB290-4-6-B-PP | 3/8" | Blue | 16 | 2 | 6.38" | 7.00" | \$ 136.23 |
| FB290-5-6-B-PP | 3/8" | Blue | 21 | 2 | 7.63" | 8.25" | \$ 157.67 |

Manifolds are assembled to order and shipped same day in most cases.

Typical Dimensioning for FB2 Series Assemblies



Port-to-Blank (PB)

| Assembly No. | Outlet Size | Block Color | # of Outlets | # of Inlets | Dim. A | Dim. B | Price |
|--------------|-------------|-------------|--------------|-------------|--------|--------|-----------|
| FB2-1-4-R-PB | 1/4" | Red | 5 | 1 | 2.06" | 3.00" | \$ 44.22 |
| FB2-2-4-R-PB | 1/4" | Red | 10 | 1 | 3.31" | 4.25" | \$ 65.66 |
| FB2-3-4-R-PB | 1/4" | Red | 15 | 1 | 4.56" | 5.50" | \$ 87.10 |
| FB2-4-4-R-PB | 1/4" | Red | 20 | 1 | 5.81" | 6.75" | \$ 108.54 |
| FB2-5-4-R-PB | 1/4" | Red | 25 | 1 | 7.06" | 8.00" | \$ 129.98 |
| FB2-1-4-B-PB | 1/4" | Blue | 5 | 1 | 2.06" | 3.00" | \$ 44.22 |
| FB2-2-4-B-PB | 1/4" | Blue | 10 | 1 | 3.31" | 4.25" | \$ 65.66 |
| FB2-3-4-B-PB | 1/4" | Blue | 15 | 1 | 4.56" | 5.50" | \$ 87.10 |
| FB2-4-4-B-PB | 1/4" | Blue | 20 | 1 | 5.81" | 6.75" | \$ 108.54 |
| FB2-5-4-B-PB | 1/4" | Blue | 25 | 1 | 7.06" | 8.00" | \$ 129.98 |
| FB2-1-6-R-PB | 3/8" | Red | 5 | 1 | 2.06" | 3.00" | \$ 44.22 |
| FB2-2-6-R-PB | 3/8" | Red | 10 | 1 | 3.31" | 4.25" | \$ 65.66 |
| FB2-3-6-R-PB | 3/8" | Red | 15 | 1 | 4.56" | 5.50" | \$ 87.10 |
| FB2-4-6-R-PB | 3/8" | Red | 20 | 1 | 5.81" | 6.75" | \$ 108.54 |
| FB2-5-6-R-PB | 3/8" | Red | 25 | 1 | 7.06" | 8.00" | \$ 129.98 |
| FB2-1-6-B-PB | 3/8" | Blue | 5 | 1 | 2.06" | 3.00" | \$ 44.22 |
| FB2-2-6-B-PB | 3/8" | Blue | 10 | 1 | 3.31" | 4.25" | \$ 65.66 |
| FB2-3-6-B-PB | 3/8" | Blue | 15 | 1 | 4.56" | 5.50" | \$ 87.10 |
| FB2-4-6-B-PB | 3/8" | Blue | 20 | 1 | 5.81" | 6.75" | \$ 108.54 |
| FB2-5-6-B-PB | 3/8" | Blue | 25 | 1 | 7.06" | 8.00" | \$ 129.98 |



FB2-2-4-B-PB SHOWN



FB2-2-4-R-PB SHOWN

90° Port-to-Blank (PB)

FB290-2-4-R-PB
SHOWN

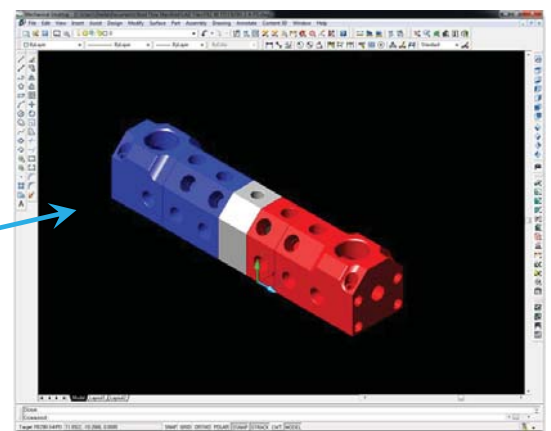
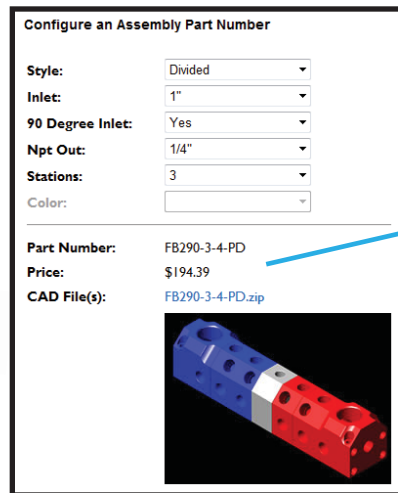


FB290-2-4-B-PB
SHOWN



| Assembly No. | Outlet Size | Block Colors | # of Outlets | # of Inlets | Dim. A | Dim. B | Price |
|----------------|-------------|--------------|--------------|-------------|--------|--------|-----------|
| FB290-1-4-R-PB | 1/4" | Red | 3 | 1 | 2.56" | 3.50" | \$ 59.73 |
| FB290-2-4-R-PB | 1/4" | Red | 8 | 1 | 3.81" | 4.75" | \$ 81.17 |
| FB290-3-4-R-PB | 1/4" | Red | 13 | 1 | 5.06" | 6.00" | \$ 102.61 |
| FB290-4-4-R-PB | 1/4" | Red | 18 | 1 | 6.31" | 7.25" | \$ 124.05 |
| FB290-5-4-R-PB | 1/4" | Red | 23 | 1 | 7.56" | 8.50" | \$ 145.49 |
| FB290-1-4-B-PB | 1/4" | Blue | 3 | 1 | 2.56" | 3.50" | \$ 59.73 |
| FB290-2-4-B-PB | 1/4" | Blue | 8 | 1 | 3.81" | 4.75" | \$ 81.17 |
| FB290-3-4-B-PB | 1/4" | Blue | 13 | 1 | 5.06" | 6.00" | \$ 102.61 |
| FB290-4-4-B-PB | 1/4" | Blue | 18 | 1 | 6.31" | 7.25" | \$ 124.05 |
| FB290-5-4-B-PB | 1/4" | Blue | 23 | 1 | 7.56" | 8.50" | \$ 145.49 |
| FB290-1-6-R-PB | 3/8" | Red | 3 | 1 | 2.56" | 3.50" | \$ 59.73 |
| FB290-2-6-R-PB | 3/8" | Red | 8 | 1 | 3.81" | 4.75" | \$ 81.17 |
| FB290-3-6-R-PB | 3/8" | Red | 13 | 1 | 5.06" | 6.00" | \$ 102.61 |
| FB290-4-6-R-PB | 3/8" | Red | 18 | 1 | 6.31" | 7.25" | \$ 124.05 |
| FB290-5-6-R-PB | 3/8" | Red | 23 | 1 | 7.56" | 8.50" | \$ 145.49 |
| FB290-1-6-B-PB | 3/8" | Blue | 3 | 1 | 2.56" | 3.50" | \$ 59.73 |
| FB290-2-6-B-PB | 3/8" | Blue | 8 | 1 | 3.81" | 4.75" | \$ 81.17 |
| FB290-3-6-B-PB | 3/8" | Blue | 13 | 1 | 5.06" | 6.00" | \$ 102.61 |
| FB290-4-6-B-PB | 3/8" | Blue | 18 | 1 | 6.31" | 7.25" | \$ 124.05 |
| FB290-5-6-B-PB | 3/8" | Blue | 23 | 1 | 7.56" | 8.50" | \$ 145.49 |

Visit our Online **e-KOOL** Configurator!



From Configurator to CAD in a Few Clicks...

Manifolds are assembled to order and shipped same day in most cases.

FB2 Series = 1" NPT Inlet

Block Size: 2.25" W x 2.25" H
Material: 6061-T6 Alum Manifold Bar Stock
Finish: Anodized
Mounting Hole Size: 1/4" SHCS
Inlet Hole: 1" NPT
Outlet Hole: 1/4" or 3/8"

Blocks Sold Individually:

- ◆ After Purchase Modifications
- ◆ Spare Parts Inventory
- ◆ Build your own Assemblies

First Block—Straight—(1" NPT Inlet)

| Part No. | Outlet Size | Block Color | # of Outlets | Price |
|--------------|-------------|-------------|--------------|----------|
| FB2-FB-1-4-R | 1/4" | Red | 5 | \$ 32.39 |
| FB2-FB-1-4-B | 1/4" | Blue | 5 | \$ 32.39 |
| FB2-FB-1-6-R | 3/8" | Red | 5 | \$ 32.39 |
| FB2-FB-1-6-B | 3/8" | Blue | 5 | \$ 32.39 |



Front



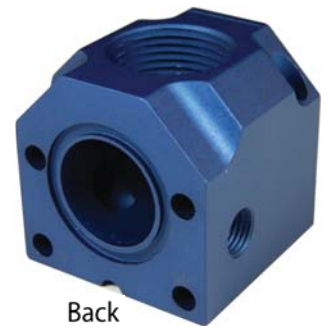
Back

First Block—90°—(1" NPT Inlet)

| Part No. | Outlet Size | Block Color | # of Outlets | Price |
|----------------|-------------|-------------|--------------|----------|
| FB2-FB90-1-4-R | 1/4" | Red | 3 | \$ 44.65 |
| FB2-FB90-1-4-B | 1/4" | Blue | 3 | \$ 44.65 |
| FB2-FB90-1-6-R | 3/8" | Red | 3 | \$ 44.65 |
| FB2-FB90-1-6-B | 3/8" | Blue | 3 | \$ 44.65 |



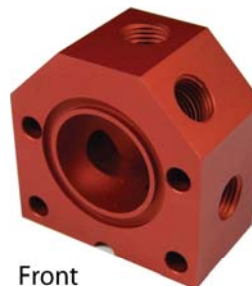
Front



Back

Mod Block

| Part No. | Outlet Size | Block Color | # of Outlets | Price |
|-------------|-------------|-------------|--------------|----------|
| FB2-MOD-4-R | 1/4" | Red | 5 | \$ 21.44 |
| FB2-MOD-4-B | 1/4" | Blue | 5 | \$ 21.44 |
| FB2-MOD-6-R | 3/8" | Red | 5 | \$ 21.44 |
| FB2-MOD-6-B | 3/8" | Blue | 5 | \$ 21.44 |



Front



Back

FB2 Series Individual Components



Front



Back

Last Block—Straight—(1" NPT Inlet)

| Part No. | Outlet Size | Block Color | # of Outlets | Price |
|---------------|-------------|-------------|--------------|----------|
| FB2-LB-1-4-CL | 1/4" | Silver | 5 | \$ 29.94 |
| FB2-LB-1-6-CL | 3/8" | Silver | 5 | \$ 29.94 |



Front



Back

Last Block—90°—(1" NPT Inlet)

| Part No. | Outlet Size | Block Color | # of Outlets | Price |
|-----------------|-------------|-------------|--------------|----------|
| FB2-LB90-1-4-CL | 1/4" | Silver | 3 | \$ 44.65 |
| FB2-LB90-1-6-CL | 3/8" | Silver | 3 | \$ 44.65 |



Front



Back

Mid Block (or End Block)

| Part No. | Outlet Size | Block Color | # of Outlets | Price |
|------------|-------------|-------------|--------------|----------|
| FB2-MIDB-1 | n/a | Silver | 0 | \$ 12.83 |

*Used in both the PD and PB Configurations

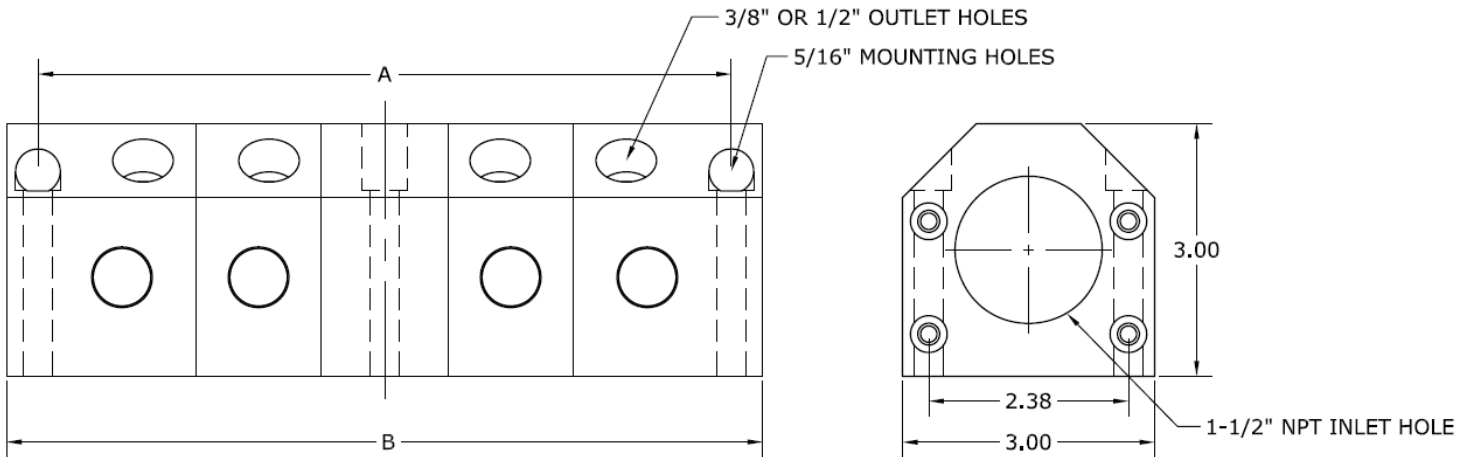


Miscellaneous Hardware

| Part No. | Description | Price |
|--------------|-------------------------------|---------|
| FB2-OR-1 | Viton O-Ring | \$ 0.85 |
| FB2-TR-1 | #10-32 Tie Rod (Single Block) | \$ 1.07 |
| FB2-TR-2 | #10-32 Tie Rod (Dual Block) | \$ 2.14 |
| FB2-SHCS-05 | #10-32 X 3/4" SS SHCS | \$ 0.40 |
| FB2-SHCS-1 | #10-32 x 1" SS SHCS | \$ 0.40 |
| FB2-SHCS-2 | #10-32 x 1-1/4" SS SHCS | \$ 0.42 |
| FB2-SHCS-MNT | 1/4"-20 x 2" SS SHCS | \$ 0.50 |

Manifolds are assembled to order and shipped same day in most cases.

Typical Dimensioning for FB3 Series Assemblies



Port-to-Divide (PD)

| Assembly No. | Outlet Size | # of Red Outlets | # of Blue Outlets | # of Inlets | Dim. A | Dim. B | Price |
|--------------|-------------|------------------|-------------------|-------------|--------|--------|-----------|
| FB3-1-6-PD | 3/8" | 5 | 5 | 2 | 5.25" | 6.00" | \$ 107.47 |
| FB3-2-6-PD | 3/8" | 10 | 10 | 2 | 8.25" | 9.00" | \$ 169.61 |
| FB3-3-6-PD | 3/8" | 15 | 15 | 2 | 11.25" | 12.00" | \$ 231.75 |
| FB3-4-6-PD | 3/8" | 20 | 20 | 2 | 14.25" | 15.00" | \$ 293.89 |
| FB3-5-6-PD | 3/8" | 25 | 25 | 2 | 17.25" | 18.00" | \$ 356.03 |
| FB3-1-8-PD | 1/2" | 5 | 5 | 2 | 5.25" | 6.00" | \$ 107.47 |
| FB3-2-8-PD | 1/2" | 10 | 10 | 2 | 8.25" | 9.00" | \$ 169.61 |
| FB3-3-8-PD | 1/2" | 15 | 15 | 2 | 11.25" | 12.00" | \$ 231.75 |
| FB3-4-8-PD | 1/2" | 20 | 20 | 2 | 14.25" | 15.00" | \$ 293.89 |
| FB3-5-8-PD | 1/2" | 25 | 25 | 2 | 17.25" | 18.00" | \$ 356.03 |



90° Port-to-Divide (PD)

| Assembly No. | Outlet Size | # of Red Outlets | # of Blue Outlets | # of Inlets | Dim. A | Dim. B | Price |
|--------------|-------------|------------------|-------------------|-------------|--------|--------|-----------|
| FB390-1-6-PD | 3/8" | 3 | 3 | 2 | 6.75" | 7.50" | \$ 187.73 |
| FB390-2-6-PD | 3/8" | 8 | 8 | 2 | 9.75" | 10.50" | \$ 249.87 |
| FB390-3-6-PD | 3/8" | 13 | 13 | 2 | 12.75" | 13.50" | \$ 312.01 |
| FB390-4-6-PD | 3/8" | 18 | 18 | 2 | 15.75" | 16.50" | \$ 374.15 |
| FB390-5-6-PD | 3/8" | 23 | 23 | 2 | 18.75" | 19.50" | \$ 436.29 |
| FB390-1-8-PD | 1/2" | 3 | 3 | 2 | 6.75" | 7.50" | \$ 187.73 |
| FB390-2-8-PD | 1/2" | 8 | 8 | 2 | 9.75" | 10.50" | \$ 249.87 |
| FB390-3-8-PD | 1/2" | 13 | 13 | 2 | 12.75" | 13.50" | \$ 312.01 |
| FB390-4-8-PD | 1/2" | 18 | 18 | 2 | 15.75" | 16.50" | \$ 374.15 |
| FB390-5-8-PD | 1/2" | 23 | 23 | 2 | 18.75" | 19.50" | \$ 436.29 |



Visit www.pcs-company.com to use our e-KOOL Assembly Configurator

FB3 Series Assemblies



FB3-3-6-R-PP
SHOWN



FB3-3-6-B-PP
SHOWN



Port-to-Port (PP)

| Assembly No. | Outlet Size | Block Color | # of Outlets | # of Inlets | Dim. A | Dim. B | Price |
|--------------|-------------|-------------|--------------|-------------|--------|--------|-----------|
| FB3-2-6-R-PP | 3/8" | Red | 10 | 2 | 3.75" | 4.50" | \$ 84.38 |
| FB3-3-6-R-PP | 3/8" | Red | 15 | 2 | 5.25" | 6.00" | \$ 115.45 |
| FB3-4-6-R-PP | 3/8" | Red | 20 | 2 | 6.75" | 7.50" | \$ 146.52 |
| FB3-5-6-R-PP | 3/8" | Red | 25 | 2 | 8.25" | 9.00" | \$ 177.59 |
| FB3-2-6-B-PP | 3/8" | Red | 10 | 2 | 3.75" | 4.50" | \$ 84.38 |
| FB3-3-6-B-PP | 3/8" | Red | 15 | 2 | 5.25" | 6.00" | \$ 115.45 |
| FB3-4-6-B-PP | 3/8" | Red | 20 | 2 | 6.75" | 7.50" | \$ 146.52 |
| FB3-5-6-B-PP | 3/8" | Red | 25 | 2 | 8.25" | 9.00" | \$ 177.59 |
| FB3-2-8-R-PP | 1/2" | Blue | 10 | 2 | 3.75" | 4.50" | \$ 84.38 |
| FB3-3-8-R-PP | 1/2" | Blue | 15 | 2 | 5.25" | 6.00" | \$ 115.45 |
| FB3-4-8-R-PP | 1/2" | Blue | 20 | 2 | 6.75" | 7.50" | \$ 146.52 |
| FB3-5-8-R-PP | 1/2" | Blue | 25 | 2 | 8.25" | 9.00" | \$ 177.59 |
| FB3-2-8-B-PP | 1/2" | Blue | 10 | 2 | 3.75" | 4.50" | \$ 84.38 |
| FB3-3-8-B-PP | 1/2" | Blue | 15 | 2 | 5.25" | 6.00" | \$ 115.45 |
| FB3-4-8-B-PP | 1/2" | Blue | 20 | 2 | 6.75" | 7.50" | \$ 146.52 |
| FB3-5-8-B-PP | 1/2" | Blue | 25 | 2 | 8.25" | 9.00" | \$ 177.59 |

FB390-3-6-R-PP
SHOWN



FB390-3-6-B-PP
SHOWN

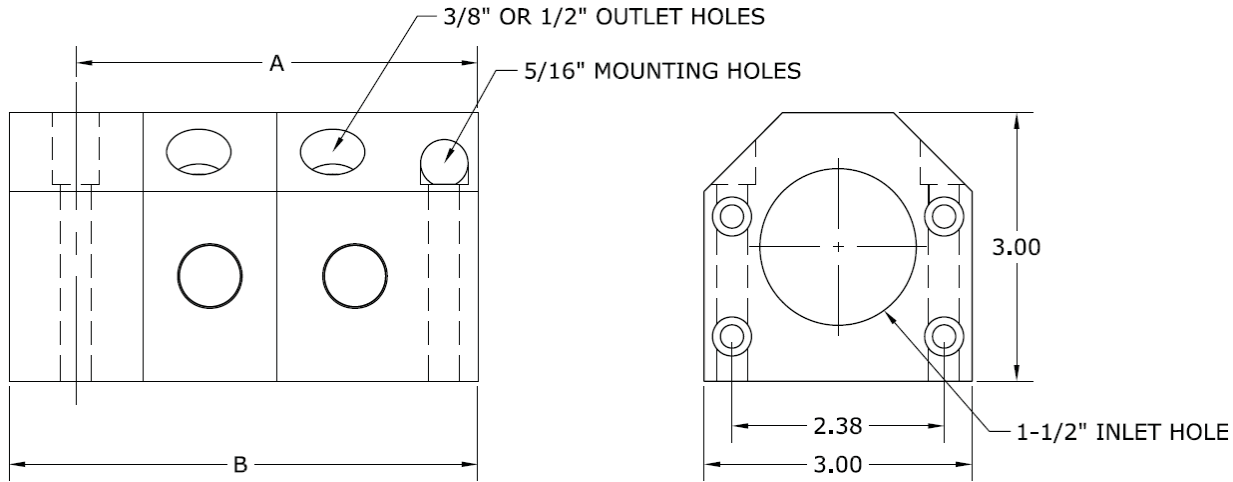


90° Port-to-Port (PP)

| Assembly No. | Outlet Size | Block Colors | # of Outlets | # of Inlets | Dim. A | Dim. B | Price |
|----------------|-------------|--------------|--------------|-------------|--------|--------|-----------|
| FB390-2-6-R-PP | 3/8" | Red | 6 | 2 | 5.25" | 6.00" | \$ 164.64 |
| FB390-3-6-R-PP | 3/8" | Red | 11 | 2 | 6.75" | 7.50" | \$ 195.71 |
| FB390-4-6-R-PP | 3/8" | Red | 16 | 2 | 8.25" | 9.00" | \$ 226.78 |
| FB390-5-6-R-PP | 3/8" | Red | 21 | 2 | 9.75" | 10.50" | \$ 257.85 |
| FB390-2-6-B-PP | 3/8" | Blue | 6 | 2 | 5.25" | 6.00" | \$ 164.64 |
| FB390-3-6-B-PP | 3/8" | Blue | 11 | 2 | 6.75" | 7.50" | \$ 195.71 |
| FB390-4-6-B-PP | 3/8" | Blue | 16 | 2 | 8.25" | 9.00" | \$ 226.78 |
| FB390-5-6-B-PP | 3/8" | Blue | 21 | 2 | 9.75" | 10.50" | \$ 257.85 |
| FB390-2-8-R-PP | 1/2" | Red | 6 | 2 | 5.25" | 6.00" | \$ 164.64 |
| FB390-3-8-R-PP | 1/2" | Red | 11 | 2 | 6.75" | 7.50" | \$ 195.71 |
| FB390-4-8-R-PP | 1/2" | Red | 16 | 2 | 8.25" | 9.00" | \$ 226.78 |
| FB390-5-8-R-PP | 1/2" | Red | 21 | 2 | 9.75" | 10.50" | \$ 257.85 |
| FB390-2-8-B-PP | 1/2" | Blue | 6 | 2 | 5.25" | 6.00" | \$ 164.64 |
| FB390-3-8-B-PP | 1/2" | Blue | 11 | 2 | 6.75" | 7.50" | \$ 195.71 |
| FB390-4-8-B-PP | 1/2" | Blue | 16 | 2 | 8.25" | 9.00" | \$ 226.78 |
| FB390-5-8-B-PP | 1/2" | Blue | 21 | 2 | 9.75" | 10.50" | \$ 257.85 |

Manifolds are assembled to order and shipped same day in most cases.

Typical Dimensioning for FB3 Series Assemblies



Port-to-Blank (PB)

| Assembly No. | Outlet Size | Block Color | # of Outlets | # of Inlets | Dim. A | Dim. B | Price |
|--------------|-------------|-------------|--------------|-------------|--------|--------|-----------|
| FB3-1-6-R-PB | 3/8" | Red | 5 | 1 | 2.63" | 3.75" | \$ 61.53 |
| FB3-2-6-R-PB | 3/8" | Red | 10 | 1 | 4.13" | 5.25" | \$ 92.60 |
| FB3-3-6-R-PB | 3/8" | Red | 15 | 1 | 5.63" | 6.75" | \$ 123.67 |
| FB3-4-6-R-PB | 3/8" | Red | 20 | 1 | 7.13" | 8.25" | \$ 154.74 |
| FB3-5-6-R-PB | 3/8" | Red | 25 | 1 | 8.63" | 9.75" | \$ 185.81 |
| FB3-1-6-B-PB | 3/8" | Blue | 5 | 1 | 2.63" | 3.75" | \$ 61.53 |
| FB3-2-6-B-PB | 3/8" | Blue | 10 | 1 | 4.13" | 5.25" | \$ 92.60 |
| FB3-3-6-B-PB | 3/8" | Blue | 15 | 1 | 5.63" | 6.75" | \$ 123.67 |
| FB3-4-6-B-PB | 3/8" | Blue | 20 | 1 | 7.13" | 8.25" | \$ 154.74 |
| FB3-5-6-B-PB | 3/8" | Blue | 25 | 1 | 8.63" | 9.75" | \$ 185.81 |
| FB3-1-8-R-PB | 1/2" | Red | 5 | 1 | 2.63" | 3.75" | \$ 61.53 |
| FB3-2-8-R-PB | 1/2" | Red | 10 | 1 | 4.13" | 5.25" | \$ 92.60 |
| FB3-3-8-R-PB | 1/2" | Red | 15 | 1 | 5.63" | 6.75" | \$ 123.67 |
| FB3-4-8-R-PB | 1/2" | Red | 20 | 1 | 7.13" | 8.25" | \$ 154.74 |
| FB3-5-8-R-PB | 1/2" | Red | 25 | 1 | 8.63" | 9.75" | \$ 185.81 |
| FB3-1-8-B-PB | 1/2" | Blue | 5 | 1 | 2.63" | 3.75" | \$ 61.53 |
| FB3-2-8-B-PB | 1/2" | Blue | 10 | 1 | 4.13" | 5.25" | \$ 92.60 |
| FB3-3-8-B-PB | 1/2" | Blue | 15 | 1 | 5.63" | 6.75" | \$ 123.67 |
| FB3-4-8-B-PB | 1/2" | Blue | 20 | 1 | 7.13" | 8.25" | \$ 154.74 |
| FB3-5-8-B-PB | 1/2" | Blue | 25 | 1 | 8.63" | 9.75" | \$ 185.81 |



FB3-2-6-B-PB
SHOWN



FB3-2-6-R-PB
SHOWN

90° Port-to-Blank (PB)

FB390-2-6-R-PB
SHOWN

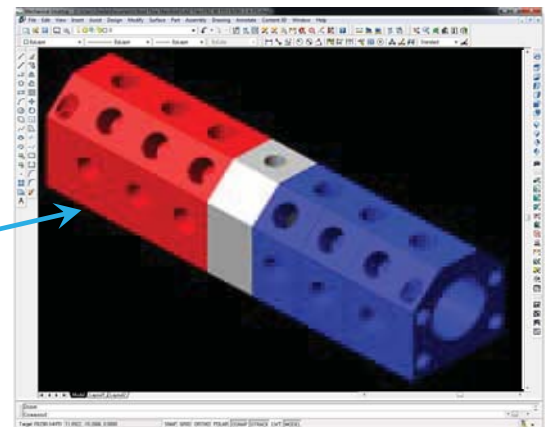
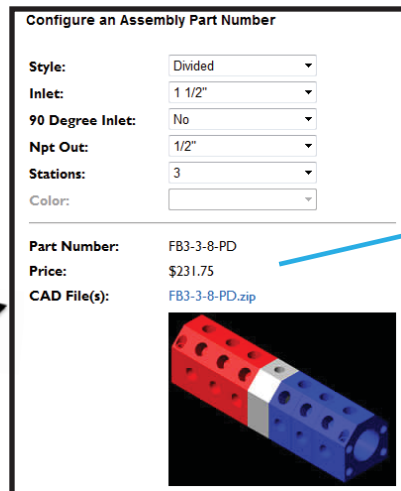


FB390-2-6-B-PB
SHOWN



| Assembly No. | Outlet Size | Block Colors | # of Outlets | # of Inlets | Dim. A | Dim. B | Price |
|----------------|-------------|--------------|--------------|-------------|--------|--------|-----------|
| FB390-1-6-R-PB | 3/8" | Red | 3 | 1 | 3.38" | 4.50" | \$ 101.66 |
| FB390-2-6-R-PB | 3/8" | Red | 8 | 1 | 4.88" | 6.00" | \$ 132.73 |
| FB390-3-6-R-PB | 3/8" | Red | 13 | 1 | 6.38" | 7.50" | \$ 163.80 |
| FB390-4-6-R-PB | 3/8" | Red | 18 | 1 | 7.88" | 9.00" | \$ 194.87 |
| FB390-5-6-R-PB | 3/8" | Red | 23 | 1 | 9.38" | 10.50" | \$ 225.94 |
| FB390-1-6-B-PB | 3/8" | Blue | 3 | 1 | 3.38" | 4.50" | \$ 101.66 |
| FB390-2-6-B-PB | 3/8" | Blue | 8 | 1 | 4.88" | 6.00" | \$ 132.73 |
| FB390-3-6-B-PB | 3/8" | Blue | 13 | 1 | 6.38" | 7.50" | \$ 163.80 |
| FB390-4-6-B-PB | 3/8" | Blue | 18 | 1 | 7.88" | 9.00" | \$ 194.87 |
| FB390-5-6-B-PB | 3/8" | Blue | 23 | 1 | 9.38" | 10.50" | \$ 225.94 |
| FB390-1-8-R-PB | 1/2" | Red | 3 | 1 | 3.38" | 4.50" | \$ 101.66 |
| FB390-2-8-R-PB | 1/2" | Red | 8 | 1 | 4.88" | 6.00" | \$ 132.73 |
| FB390-3-8-R-PB | 1/2" | Red | 13 | 1 | 6.38" | 7.50" | \$ 163.80 |
| FB390-4-8-R-PB | 1/2" | Red | 18 | 1 | 7.88" | 9.00" | \$ 194.87 |
| FB390-5-8-R-PB | 1/2" | Red | 23 | 1 | 9.38" | 10.50" | \$ 225.94 |
| FB390-1-8-B-PB | 1/2" | Blue | 3 | 1 | 3.38" | 4.50" | \$ 101.66 |
| FB390-2-8-B-PB | 1/2" | Blue | 8 | 1 | 4.88" | 6.00" | \$ 132.73 |
| FB390-3-8-B-PB | 1/2" | Blue | 13 | 1 | 6.38" | 7.50" | \$ 163.80 |
| FB390-4-8-B-PB | 1/2" | Blue | 18 | 1 | 7.88" | 9.00" | \$ 194.87 |
| FB390-5-8-B-PB | 1/2" | Blue | 23 | 1 | 9.38" | 10.50" | \$ 225.94 |

Visit our Online **e-KOOL** Configurator!



From Configurator to CAD in a Few Clicks...

Manifolds are assembled to order and shipped same day in most cases.

FB3 Series = 1-1/2" NPT Inlet

Block Size: 3.00" W x 3.00" H
Material: 6061-T6 Alum Manifold Bar Stock
Finish: Anodized
Mounting Hole Size: 5/16" SHCS
Inlet Hole: 1-1/2" NPT
Outlet Hole: 3/8" or 1/2"

Blocks Sold Individually:

- ◆ After Purchase Modifications
- ◆ Spare Parts Inventory
- ◆ Build your own Assemblies

First Block—Straight—(1-1/2" NPT Inlet)

| Part No. | Outlet Size | Block Color | # of Outlets | Price |
|----------------|-------------|-------------|--------------|----------|
| FB3-FB-1.5-6-R | 3/8" | Red | 5 | \$ 43.94 |
| FB3-FB-1.5-6-B | 3/8" | Blue | 5 | \$ 43.94 |
| FB3-FB-1.5-8-R | 1/2" | Red | 5 | \$ 43.94 |
| FB3-FB-1.5-8-B | 1/2" | Blue | 5 | \$ 43.94 |



Front



Back

First Block—90°—(1-1/2" NPT Inlet)

| Part No. | Outlet Size | Block Color | # of Outlets | Price |
|------------------|-------------|-------------|--------------|----------|
| FB3-FB90-1.5-6-R | 3/8" | Red | 3 | \$ 79.07 |
| FB3-FB90-1.5-6-B | 3/8" | Blue | 3 | \$ 79.07 |
| FB3-FB90-1.5-8-R | 1/2" | Red | 3 | \$ 79.07 |
| FB3-FB90-1.5-8-B | 1/2" | Blue | 3 | \$ 79.07 |



Front



Back

Mod Block

| Part No. | Outlet Size | Block Color | # of Outlets | Price |
|-------------|-------------|-------------|--------------|----------|
| FB3-MOD-6-R | 3/8" | Red | 5 | \$ 31.07 |
| FB3-MOD-6-B | 3/8" | Blue | 5 | \$ 31.07 |
| FB3-MOD-8-R | 1/2" | Red | 5 | \$ 31.07 |
| FB3-MOD-8-B | 1/2" | Blue | 5 | \$ 31.07 |



Front



Back

Visit www.pcs-company.com to use our e-KOOL Assembly Configurator

FB3 Series Individual Components



Front



Back

Last Block—Straight—(1-1/2" NPT Inlet)

| Part No. | Outlet Size | Block Color | # of Outlets | Price |
|-----------------|-------------|-------------|--------------|----------|
| FB3-LB-1.5-6-CL | 3/8" | Silver | 5 | \$ 40.44 |
| FB3-LB-1.5-8-CL | 1/2" | Silver | 5 | \$ 40.44 |



Front



Back

Last Block—90°—(1-1/2" NPT Inlet)

| Part No. | Outlet Size | Block Color | # of Outlets | Price |
|-------------------|-------------|-------------|--------------|----------|
| FB3-LB90-1.5-6-CL | 3/8" | Silver | 3 | \$ 79.07 |
| FB3-LB90-1.5-8-CL | 1/2" | Silver | 3 | \$ 79.07 |



Front



Back

Mid Block (or End Block)

| Part No. | Outlet Size | Block Color | # of Outlets | Price |
|--------------|-------------|-------------|--------------|----------|
| FB3-MIDB-1.5 | n/a | Silver | 0 | \$ 19.59 |

*Used in both the PD and PB Configurations



Miscellaneous Hardware

| Part No. | Description | Price |
|--------------|-------------------------------|---------|
| FB3-OR-1 | Viton O-Ring | \$ 1.38 |
| FB3-TR-1 | M6-1.0 Tie Rod (Single Block) | \$ 1.18 |
| FB3-TR-2 | M6-1.0 Tie Rod (Dual Block) | \$ 2.36 |
| FB3-SHCS-05 | M6-1.0 x 20mm SS SHCS | \$ 0.50 |
| FB3-SHCS-1 | M6-1.0 x 30mm SS SHCS | \$ 0.50 |
| FB3-SHCS-2 | M6-1.0 x 40mm SS SHCS | \$ 0.55 |
| FB3-SHCS-MNT | 5/16" x 2-1/2" SS SHCS | \$ 0.75 |

Manifolds are assembled to order and shipped same day in most cases.



COMING IN 2013!



2-STATION MOD BLOCK

*REDUCING ASSEMBLY TIME

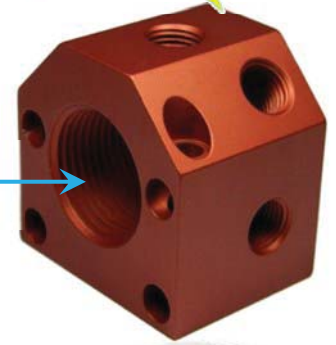
SAE PORT OPTION

*PROVIDING MORE FLEXIBILITY



1-1/4" INLET PORTS FOR FB3 SERIES

*ELIMINATING THE NEED FOR REDUCER BUSHINGS

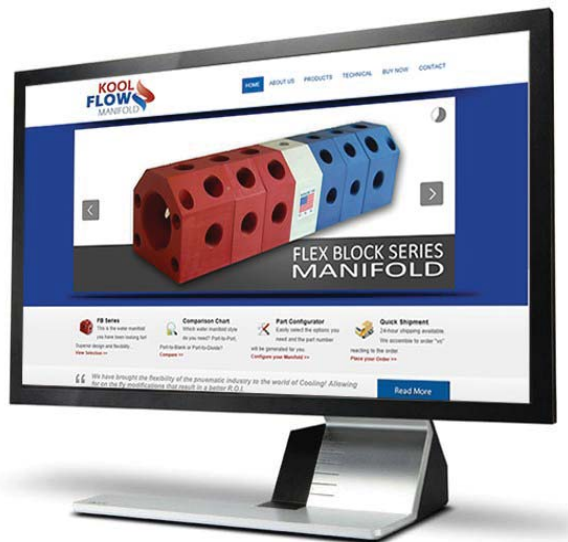


Visit www.pcs-company.com to use our e-KOOL Assembly Configurator

- Pipe Plugs
- Pressure Plugs
- Connector Plugs
- Extension Plugs
- Socket Connectors
- Self-Grip Hose
- Hose Clamps
- Teflon Tape



Additional cooling products are
available at www.pcs-company.com



PCS COMPANY

www.pcs-company.com



FLEX BLOCK SERIES

