

PAULUHN



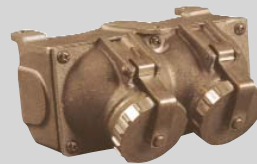
Pauluhn Product Catalog

Area and emergency lighting solutions for hazardous locations and corrosive environments



CHS Controls AB
Florettgatan 33
SE-254 67 Helsingborg, Sweden
Tel +46 42 38 61 00, Fax +46 42 38 61 29
chs@chscontrols.se
www.chscontrols.se

COOPER Crouse-Hinds



For more than a century, companies have relied on Cooper Crouse-Hinds for solutions they can trust to grown their business.

By integrating a comprehensive line of electrical and instrumentation products with expert support, industry insights, and local availability, Cooper Crouse-Hinds **enhances safety and productivity** in the most demanding industrial, harsh, and hazardous environments worldwide. This philosophy is at the core of every product we develop and every solution we engineer.



COOPER Crouse-Hinds

CEAG

MTL Instruments

PAULUHN

**CROUSE-HINDS
COMMERCIAL
PRODUCTS**

The more demanding the environment, the likelier you are to find our products and the center of operations.

Cooper Crouse-Hinds manufactures over 100,000 products for NEC, IEC and ABS applications across the globe, including

- Conduit and cable fittings
- Enclosures
- Motor Controls and Electrical Apparatus
- Industrial and Marine Lighting
- Plugs & Receptacles
- Signals and Alarms
- Wireless and Solar Power
- Commercial Fittings and Outlet Boxes
- Electronic components and protection equipment for process control

PAULUHN

The toughest lighting for the toughest environments.

Cooper Crouse-Hinds Pauluhn is a leading supplier of area and emergency lighting solutions for installation in hazardous locations and corrosive environments.

Pauluhn products are specifically designed for petrochemical, mining, food processing, marine, drilling and other high abuse, corrosive industrial applications.

Wherever reliable, cost-effective lighting is critical to the safe, secure and productive functioning of your operation, you can count on Cooper Crouse-Hinds Pauluhn.



New for 2010 Product Naming Structure

EXAMPLE

ProMax Intrepid/nm

I. Prefix - Application Requirements

Pro	Professional Use
Haz	Hazardous Area Certified
XPF	Explosive Atmosphere Certified
Z2	Zone 2 Area Certified

II. Prefix - Product Type

Max	Linear Fluorescent
Cor	High Intensity Discharge
Flood	Floodlights
Spot	Spot Lights
Guard	Globe & Guard
Mark	Marker Lights
Strobe	Strobe Lights
Beacon	Rotating Beacons
Helideck	Helideck Lighting
Rec	Recessed Lighting
Surf	Surface Mounted Lighting
Berth	Berth & Mirror Lights
Lamp	Lamps
Exit	Exit Signs
Step	Step Lights

III. Product

IV. Suffix - Category

/ss	Stainless Steel
/al	Aluminum
/nm	Nonmetallic
/br	Brass
/ml	Marine Lighting
/wd	Industrial Wiring
/mw	Marine Wiring

Quick Reference

STAINLESS STEEL Professional Use Lighting

ProMax Linear Fluorescent	ProCor High Intensity Discharge	ProFlood Flood Lights
Summit/ss - Pg. 2 	Optima 1000/ss - Pg. 14 	Goliath 2000/ss - Pg. 24 
Radia/ss - Pg. 6 	Optima 1010/ss - Pg. 16 	Goliath 2010/ss - Pg. 26 
Intrepid/ss - Pg. 10 (FSS) 	Optima 1020/ss - Pg. 20 	Goliath 2020/ss - Pg. 28 
		Vulcan/ss - Pg. 30 
		Achiever QS/ss - Pg. 32 

(Previous Name)

Quick Reference

STAINLESS STEEL Hazardous Area Certified Lighting


























HazMax Linear Fluorescent	HazCor High Intensity Discharge	HazFlood Flood Lights	Z2Flood Zone 2 Flood Lights
Summit/ss - Pg. 36 	Optima 1100/ss - Pg. 48 (Hazcor LW) 	Vulcan/ss - Pg. 58 (RBF) 	Vulcan/ss - Pg. 66 
Radia/ss - Pg. 40 (FWFN/FWN/AIIPro) 	Optima 1110/ss - Pg. 50 (Hazcor) 	Goliath 2100/ss - Pg. 60 (NHID LW) 	
Intrepid/ss - Pg. 44 (FSSD2/SeaPro) 	Optima 1120/ss - Pg. 54 (Hazcor HW) 	Goliath 2110/ss - Pg. 62 (NHID) 	
		Goliath 2120/ss - Pg. 64 (NHID 1000) 	

(Previous Name)

Quick Reference

ALUMINUM

Professional Use Lighting













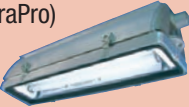





ProMax Linear Fluorescent	ProCor High Intensity Discharge	ProFlood Flood Lights	ProSpot Spot Lights	ProGuard Globe & Guard	ProMark Marker Lights
Apex/al - Pg. 70 	Optima 1000/al - Pg. 86 	Goliath 2000/al - Pg. 96 	746M/al - Pg. 108 	707/al - Pg. 114 	1158/1159/al - Pg. 136 
Summit/al - Pg. 74 	Optima 1010/al - Pg. 88 	Goliath 2010/al - Pg. 98 	749/al - Pg. 110 	717/718/al - Pg. 118 	POB/al - Pg. 140 
Radia/al - Pg. 78 	Optima 1020/al - Pg. 92 	Goliath 2020/al - Pg. 100 	740/741/al - Pg. 112 	Exacta/al - Pg. 122 (AC-Exacta) 	
Intrepid/al - Pg. 82 (FAS) 		Achiever QA/al - Pg. 102 		735/738/al - Pg. 126 	
		Achiever QC/al - Pg. 104 (Q Achiever clamp) 		729/730/al - Pg. 128 	
		Achiever QL/al - Pg. 106 (Q Achiever latch) 		767/al - Pg. 132 	
				1440/al - Pg. 134 	

(Previous Name)

Quick Reference

ALUMINUM

Hazardous Area Certified Lighting

HazMax Linear Fluorescent	XPFMax Explosionproof Linear Fluorescent	HazCor High Intensity Discharge	HazFlood Flood Lights	HazSpot Spot Lights
Apex/al - Pg. 144 	Commander/al - Pg. 174 (FEPR) 	Optima 1100/al - Pg. 184 (Hazcor LW) 	Goliath 2100/al - Pg. 196 (NHID LW) 	746D2/al - Pg. 204 
Summit/al - Pg. 148 	Performer/al - Pg. 178 (ZonePro) 	Optima 1110/al - Pg. 186 (Hazcor) 	Goliath 2110/al - Pg. 198 (NHID) 	
Radia/al - Pg. 152 (FVN/FWFN/AllPro) 		Optima 1120/al - Pg. 190 (Hazcor HW) 	Goliath 2120/al - Pg. 200 (NHID 1000) 	
Pinnacle/al - Pg. 156 (DuraPro) 		Optima 1130/al - Pg. 194 (Hazcor LP) 	Achiever DR/al - Pg. 202 (DR-Achiever) 	
Quantum/al - Pg. 162 (RigPro) 				
Magna/al - Pg. 166 (MagnaPro) 				
Intrepid/al - Pg. 170 (FASD2/SeaPro) 				

HazGuard Globe & Guard	XPFGuard Explosionproof Globe & Guard	HazMark Marker Lights	HazStrobe Strobe Lights	XPFStrobe Explosionproof Strobe Lights	XPFBeacon Explosionproof Rotating Beacon
707/717/727/al - Pg. 206 	EP/al - Pg. 212 	1158D2/1159D2/al - Pg. 216 	7120/7121/al - Pg. 218 	EPN/al - Pg. 220 	EPB/EPC/EPP/al - Pg. 224 
Exacta/al - Pg. 208 (AC-Exacta) 					





(Previous Name)

Quick Reference




NON METALLIC

Professional Use Lighting

Hazardous Area Certified Lighting

ProMax Linear Fluorescent	ProGuard Globe & Guard
Intrepid/nm - Pg. 228 (FPS) 	Exacta/nm - Pg. 240 (IP-Exacta) 
Versa/nm - Pg. 232 (VersaPro) 	
Resista/nm - Pg. 236 (WashPro) 	

(Previous Name)









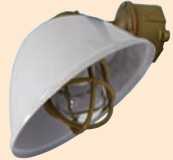


HazMax Linear Fluorescent	HazGuard Globe & Guard
Intrepid/nm - Pg. 244 (FPSD2/SeaPro) 	Exacta/nm - Pg. 256 (IP-Exacta) 
Versa/nm - Pg. 248 (VersaPro) 	
Resista/nm - Pg. 252 (WashPro) 	

(Previous Name)

Quick Reference

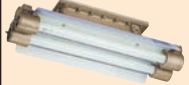


BRASS

Professional Use Lighting

ProSpot Spot Lights	ProGuard Globe & Guard	ProMark Marker Lights
746M/br - Pg. 260 	707/br - Pg. 266 	1158/1159/br - Pg. 286 
749/br - Pg. 262 	717/718/br - Pg. 270 	
740/741/br - Pg. 264 	735/738/br - Pg. 274 	
	729/730/br - Pg. 276 	
	1729/br - Pg. 280 	
	767/br - Pg. 282 	
	1440/1449/br - Pg. 284 	

Hazardous Area Certified Lighting

HazSpot Spot Lights	HazGuard Globe & Guard	HazMark Marker Lights	HazStrobe Strobe Lights
746D2/br - Pg. 294 	707/717/727/br - Pg. 296 	1158D2/1159D2/br - Pg. 302 	7120/7121/br - Pg. 304 

XPFMax Explosionproof Linear Fluorescent	XPFGuard Globe & Guard	XPFStrobe Strobe Lights	XPFBeacon Beacon Lights
Commander/br - Pg. 290 (FEPR) 	EP/br - Pg. 298 	EPN/br - Pg. 306 	EPB/EPC/EPP/br - Pg. 308 








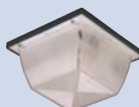





HELIDECK

Hazardous Area Certified Lighting

HazHelideck Helideck Lighting
1158D2/1159D2/br - Pg. 312 
1158D2/1159D2/al - Pg. 314 
1157D2/br - Pg. 316 
FWN/al - Pg. 318 
FWN/ss - Pg. 320 

MARINE

Professional Use Lighting

ProRec Recessed Lighting	ProSurf Surface Lighting	ProBerth Berth/Mirror Lights	ProLamp Lamps	ProExit Exit Lights	ProStep Step Light
Meridian FT/ml - Pg. 324 	Meridian FLC/ml - Pg. 348 	1060A/ml - Pg. 364 	FE215/28/ml - Pg. 382 	F17/ml - Pg. 388 	814/816/ml - Pg. 392 
Meridian FRD/ml - Pg. 328 	Meridian FCM/ml - Pg. 352 	FBN/FMN/ml - Pg. 366 	FE/ml - Pg. 384 	F/ml - Pg. 390 	
Meridian FDA/ml - Pg. 332 	Meridian FS/ml - Pg. 356 	FMR/ml - Pg. 368 	1017B/ml - Pg. 386 		
Meridian FR/ml - Pg. 336 	Meridian 1136/1137/1138/1139/ml - Pg. 360 	FBR/ml - Pg. 370 			
Meridian FRS/ml - Pg. 340 	Meridian F1143/ml - Pg. 362 	FBL/ml - Pg. 372 			
Meridian DL/ml - Pg. 344 		FN/ml - Pg. 374 			
		F1061/ml - Pg. 376 			
		F1062/ml - Pg. 378 			
		F115/215/ml - Pg. 380 			

Quick Reference

INDUSTRIAL WIRING DEVICES

Professional Use & Hazardous Area Certified

ProConnect Connectors	XPFxchange Explosionproof Switch	ProJbx Junction Box	HazJbx Hazardous Area Junction Box	XPFJbx Explosionproof Junction Box
80/86/96/wd - Pg. 396 	EPCS/wd - Pg. 402 	JUSN/wd - Pg. 404 	JUS/wd - Pg. 406 	EPJ505/wd - Pg. 410 
PPR/wd - Pg. 400 			HFS/wd - Pg. 408 	

Quick Reference


















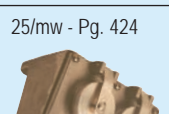
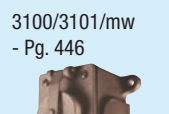



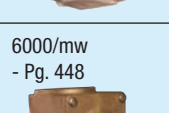


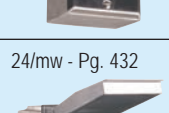
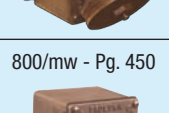
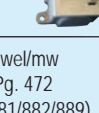
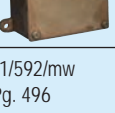
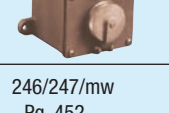
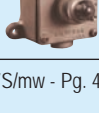
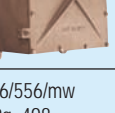


MARINE WIRING DEVICES

NEMA Straight Blade Type

Pin and Sleeve Type

Switches

Junction Boxes

ProConnect Plugs & Receptacles	ProConnect-PS Plug & Receptacle	XPFConnect-PS Explosionproof Plug & Receptacles	ProXchange	XPFXchange Explosionproof	ProJbx Watertight	ProFbx Watertight	XPFJbx Explosionproof
26/mw - Pg. 414 	263/264/mw - Pg. 436 	EP/EPCS/mw - Pg. 456 	862/1869/1871/mw - Pg. 460 	EPCS/mw - Pg. 478 	504/518/527/545/mw - Pg. 486 	572/mw - Pg. 500 	EPJ 505/mw - Pg. 502 
26B/mw - Pg. 418 	261/262/mw - Pg. 440 		TG/mw - Pg. 462 	EP833/EP834/mw - Pg. 482 	574/mw - Pg. 488 		
25B/mw - Pg. 422 	WELD/mw - Pg. 444 (6000/6583) 		833/834/mw - Pg. 464 		562/571/mw - Pg. 490 		
25/mw - Pg. 424 	3100/3101/mw - Pg. 446 		2100/mw - Pg. 466 		559/568/mw - Pg. 492 		
27R/mw - Pg. 426 	6000/mw - Pg. 448 		2400/mw - Pg. 470 		568/580/mw - Pg. 494 		
24/mw - Pg. 432 	800/mw - Pg. 450 		Jewel/mw - Pg. 472 (881/882/889) 		581/592/mw - Pg. 496 		
	246/247/mw - Pg. 452 		27S/mw - Pg. 474 		546/556/mw - Pg. 498 		
	420FC/PP/PC/mw - Pg. 454 		2482/mw - Pg. 476 				

(Previous name)

Quick Reference

ACCESSORIES

ProGland	Miscellaneous
Grommet - Pg. 506 	Half Shades/Reflectors - Pg. 508 
Tube - Pg. 507 	NPT Pipe Plugs - Pg. 508 
	Beam Clamps - Pg. 509 
	Safety Cable - Pg. 509 

ALPHA-NUMERIC PART NUMBER INDEX

Part Number	Pg.	Part Number	Pg.	Part Number	Pg.	Part Number	Pg.	Part Number	Pg.	Part Number	Pg.	Part Number	Pg.
833	465	2122B	467	2633A-125	437	423FC-600	455	7121BBG	305	ACEV1511GCGC1	123	EPC7004B	309
834	465	2123A	467	2633B-125	437	426-4PC-125	455	7121BCG	305	ACEV1511GCGP1	123	EPSC2211A	403
5037	163	2123B	467	2634A-125	437	426-4PC-208	455	7121BGG	305	ACEV1511GCGW1	123	EPSC2211A	479
007-4000	237	2405A-125	433	2634AU-125	415	426-4PC-250	455	7121BRG	305	ACEV18F1GCGC1	123	EPSC2211B	479
007-8000	237	2405A-250	433	2634B-125	437	426-4PC-480	455	7121BYG	305	ACEV18F1GCGP1	123	EPSC2212A	403
1017B	387	2407A-125	433	2634BF-125	437	426-4PC-600	455	717A	119	ACEV18F1GCGW1	123	EPSC2212A	479
1060A	365	2407A-250	433	2634BU-125	415	426PC-125	455	717A7	119	ACEV26F1GCGC1	123	EPSC2212A-30	403
1136A	361	2420A	471	2634BUF-125	415	426PC-250	455	717AM7D2	207	ACEV26F1GCGP1	123	EPSC2212A-30	479
1136B	361	2422A	471	2635A-125	437	426PC-277	455	717B	271	ACEV26F1GCGW1	123	EPSC2212B	479
1137A	361	2423A	471	2635B-125	437	426PC-480	455	717B7	271	ACEV32F1GCGC1	123	EPSC2212B-30	479
1137B	361	2424A	471	2635BF-125	437	430BP-125	453	717BM7D2	297	ACEV32F1GCGP1	123	EPSC2214A	403
1138A	361	2430A	471	2636B-125	415	431BP-125	453	718A	119	ACEV32F1GCGW1	123	EPSC2214A	479
1138B	361	2432A	471	2636BU-125	415	504A	487	718B	271	APA42570	153	EPSC2214B	479
1139A	361	2433A	471	2637B-125	437	504A	487	727AM7D2	207	APA42870	153	EPSC2215A	403
1139B	361	2440A	471	2640B-125	437	504B	487	727BM7D2	297	APA42870	153	EPSC2215A	479
1157BBLUD2	317	2442A	471	2640BF-125	437	518B	487	729A	129	APA42870L	153	EPSC2215B	479
1157BCLRD2	317	2443A	471	2640BU-125	415	527A	487	729AF	129	APA43570	153	EPSC2216A	403
1157BGRND2	317	2460B-125	453	2640BUF-125	415	527B	487	729AF	129	APAD42570	153	EPSC2216A	479
1157BREDD2	317	2462B-125	453	2641B-125	437	545A	487	729AF7	129	APAD42870	153	EPSC2216B	479
1157BYELD2	317	2464B-125	453	2641BF-125	437	545B	487	729B	277	APAD42870	153	EPSC2217A	403
1158A	137	2470B-125	453	2700A	427	546B	499	729B7	277	APAD42870L	153	EPSC2217A	479
1158ABLU	137	2472B-125	453	2700B	427	556B	499	729BF	277	APAD43570	153	EPSC2217B	479
1158ABLUD2	217	2474B-125	453	2704A-125	427	559A	493	729BF7	277	APS22270L	41	EPSC2218A	403
1158ACLRD2	217	2482B	477	2704B-125	427	559B	493	730A	129	APS42170	41	EPSC2218A	479
1158AGRN	137	2482B-2100	477	2704P-125	427	562AT4	491	730AF	129	APSD42870L	41	EPSC2218B	479
1158AGRND2	217	2482B-215	477	2705A-125	427	562AT6	491	730B	277	APSD42870L	41	EPSC2219A	403
1158AGRND27	315	2482B-220	477	2705B-125	427	562BT4	491	730BF	277	ARA42170	79	EPSC2219A	479
1158AREDD	137	2482B-230	477	2705P-125	427	562BT6	491	735A	127	ARA42570	79	EPSC2219B	479
1158AREDD2	217	2482B-240	477	2715A	431	568A	493	735B	275	ARA42870	79	EPSC2400B-125	457
1158AYEL	137	2482B-250	477	2715A	475	568AT10	495	738A	127	ARA43570	79	EPSC2401B-125	457
1158AYELD2	217	2482B-260	477	2715B	431	568B	493	738B	275	ARS42570	7	EPJ505754	411
1158B	287	2482B-3100	477	2715B	475	568BT10	495	740ASM	113	ARS42870	7	EPJ505A501	411
1158BBLU	287	2482B-315	477	2715P	431	571AT4	491	740SM	265	ARS42870	7	EPJ505A501	503
1158BBLUD2	303	2482B-320	477	2715PL	475	571AT6	491	741ASM	113	ARS43570	7	EPN7000A	221
1158BCLRD2	303	2482B-330	477	2716A	475	571BT4	491	741SM	265	ARSD42570	7	EPN7000B	307
1158BGRN	287	2482B-340	477	2716B	475	571BT6	491	746A	205	ARSD42870	7	EPN7001A	221
1158BGRND2	303	2482B-350	477	2716PL	475	572A	501	746AMR	109	ARSD42870	7	EPN7001B	307
1158BGRND27	313	2482B-360	477	2717A	475	572B	501	746AQ	205	ARSD43570	7	EPN7002A	221
1158BRED	287	2503A-125	423	2717B	475	574A	489	746AQM	109	BC2J	509	EPN7002B	307
1158BREDD2	303	2503A-125	425	2717PL	475	574AT4	489	746B	295	BC2K	509	EPP38A	213
1158BYEL	287	2503B-125	423	2718A	431	574AT6	489	746BMR	261	BC2L	509	EPP38B	299
1158BYELD2	303	2503B-125	425	2718A	475	574B	489	746BQ	295	CX8051-1/4	507	EPP39A	213
1159A	137	2503N-125	423	2718B	431	574BT4	489	746BQMR	261	CX8051-1/8	507	EPP39B	299
1159ABLU	137	2503N-125	425	2718B	475	574BT6	489	749A	111	DLF18SX	345	EPP42A	213
1159ABLUD2	217	2506A-125	423	2718P	431	580AT12	495	749AQ	111	DLF26	345	EPP42B	299
1159ACLRD2	217	2506A-125	425	2718PL	475	580BT12	495	749B	263	DLF32	345	EPP43A	213
1159AGRN	137	2506B-125	423	2719A	475	581B	497	749BQ	263	DP1053MTK	157	EPP43B	299
1159AGRND2	217	2506B-125	425	2719B	475	581BT20	497	767A	133	DP42571L	133	EPP44A	213
1159AGRND27	315	2506N-125	423	2719PL	475	581BT26	497	767A7	133	DP42871	157	EPP44B	299
1159AREDD2	217	2506N-125	425	2720A	475	592B	497	767B	283	DP42871L	157	EPP45A	213
1159AYEL	137	2583A-125	423	2720B	475	592BT40	497	767B7	283	DP42871LEM1	157	EPP45B	299
1159AYEL-#	137	2583B-125	423	2720PL	475	592BT52	497	814AS	393	DP43571L	157	EPP7004A	225
1159AYELD2	217	2584A-125	423	2721A	475	592BT60	497	816AS	393	DRH257	203	EPP7004B	309
1159B	287	2584B-125	423	2721B	475	6000B	445	833F	465	DRH407	203	ESB26570	3
1159BBLU	287	2587B-125	423	2721PL	475	6000BP	445	834F	465	DRP257	203	ESB44170	3
1159BBLUD2	303	2590A-125	425	2753A-125	427	6006B-125	449	839BP-125	451	DRP407	203	ESB44570	3
1159BCLRD2	303	2590B-125	425	2753B-125	427	6006BP-125	449	840BP-125	451	DRS257	203	ESB44571	3
1159BGRN	287	2592A-125	425	2753P-125	427	6006BP-125	451	841B-125	451	DRS407	203	ESB44670	3
1159BGRND2	303	2592B-125	425	2754A-125	427	6009B-125	449	842B-125	451	EAB26570	75	ESB46170	3
1159BGRND27	313	2597B-125	425	2754B-125	427	6009BP-125	449	843B-125	451	EAB44170	75	ESB46573	3
1159BRED	287	2603AU-125	415	2754P-125	427	6009BP-125	451	844B-125	451	EAB44570	75	ESB46670	3
1159BREDD2	303	2603AU-125	419	2871BH	463	62A8002AC	163	862A	461	EAB44670	75	F1061	377
1159BYEL	287	2603BU-125	415	3100B-125	447	62A8002AD	163	862AH	463	EAB46170	75	F1062	379
1159BYELD2	303	2603BU-125	419	3101B-125	447	62A8004AC	163	862B	461	EAB46570	75	F1137A-18	361
1440A	135	2606AU-125	415	420-4BP-125	437	62A8004ACEM1	163	862BF	461	EAB46670	75	F1137B-18	361
1440B	285	2606AU-125	419	420-4BP-125	441	62A8004AD	163	862BFH	463	EAB46673	75	F1139A-18	361
1449B	285	2606BU-125	415	420-4BP-125	447	62A8004ADEM1	163	862BH	463	EP3610B-125	457	F1139A-26	361
1729BM	281	2606BU-125	419	420-4PP-125	437	6583B	445	878AH	463	EP3611B-125	457	F1139B-18	361
1729BM7	281	2613B-125	441	420-4PP-125	441	707A	115	878BH	463	EP833	483	F1139B-26	361
1869B	461	2613BF-125	441	420-4PP-125	447	707A7	115	881B	473	EP834	483	F1143A-18	363
1869BH	463	2613BU-125	419	420-4PP-125	455	707AF	115	882B	473	EPB46A	213	F1143A-26	363
1871A	461	2613BUF-125	419	420-4PP-208	455	707AF7	115	889B	473	EPB46B	299	F1143B-18	363
1871B	461	2614A-125	441	420-4PP-250	455	707AM7D2	207	AAB26571	71	EPB47A	213	F1143B-26	363
1871BH	463	2614AU-125	419	420-4PP-480	455	707B	267	AAB44171	71	EPB47B	299	F115	381
2100A	467	2614B-125	441	420-4PP-600	455	707B7	267	AAB44571	71	EPB48A	213	F1159ABLU-#	137
2100B	467	2614BF-125	441	420BP-125	437	707BF	267	AAB44671	71	EPB48B	299	F1159AGRN-#	137
2102A	467	2614BU-125	419	420BP-125	441	707BF7	267	AAB46171	71	EPB49A	213	F1159AREDD-#	137
2102B	467	2614BUF-125	419	420BP-125	447	707BM7D2	297	AAB46571	71	EPB49B	299	F1159B-#	287
2103A	467	2615B-125	441	420PP-125	437	7120ABG	219	AAB46574	71	EPB7004A	225	F1159BBLU-#	287
2103B	467	2615BF-125	441	420PP-125	441	7120ACC	219	AAB46671	71	EPB7004B	309	F1159BGRN-#	287
2104A	467	2617A-125	441	420PP-125	447	7120AGG	219	ACEH1511GCGC1	209	EPC30A	213	F1159BRED-#	287
2104B	467	2617B-125	441	420PP-125	455	7120ARG	219	ACEH1511GCGP1	209	EPC30B	299	F1159BYEL-#	287
2111A	467	2617BF-125	441	420PP-250	455	7120AYG	219	ACEH1511GCGW1	209	EPC31A	213	F1703	389
2111B	467	2620B-125	441	420PP-277	455	7120BBG	305	ACEH1511GCGC1	209	EPC31B	299	F1703F	389
2112A	467	2620BF-125	441	420PP-480	455	7120BCG							

ALPHA-NUMERIC PART NUMBER INDEX

		Part Number	Pg.	Part Number	Pg.	Part Number	Pg.	Part Number	Pg.	Part Number	Pg.	Part Number	Pg.
F707BF7-#	267	FEPP45A-#	213	FRS214J	341	HBAB44571	145	INX1579-M16	507	NHIDPS171B	61	PZHSP3S17GMT	21
F717A7-#	119	FEPP45B-#	299	FRS217J	341	HBAB44671	145	INX4533A	508	NHIDPS251B	63	PZHSP3S25GMT	21
F717B7-#	271	FEPR254A	175	FRS224J	341	HBAB46171	145	INX4533B	508	NHIDPS41B	63	PZSAP3A17GMT	93
F729A-#	129	FEPR260A	175	FRS228J	341	HBAB46571	145	INX4537A	508	NRL 80-1	398	PZSAP3A25GMT	93
F729AF7-#	129	FEPR260AEM2	175	FRS232J	341	HBAB46574	145	INX4537B	508	NRL 80-2	398	PZSSP3S17GMT	21
F729B7-#	277	FEPR260ASM	175	FRS254J	341	HBAB46671	145	INX8051A	508	NRL 80-3	398	PZSSP3S25GMT	21
F729BF7-#	277	FEPR260B	291	FRS314J	341	HFSC-1BC	409	INX8051B	508	NRL 80-4	398	PZXAP3A15GMT	93
FAS217	83	FEPR260BEM2	291	FRS317J	341	HFSC-2BC	409	INX8051SS	508	NRL 80-5	398	PZXAP3A25GMTL	93
FAS217D2	171	FEPR454A	175	FRS324J	341	HFSC-1BC	409	INX8052A	508	NRL 80-6	398	PZXSAP3S15GMT	21
FAS220	83	FLC214	349	FRS328J	341	HFSC-2BC	409	INX8052B	508	NRL 80-7	398	PZXSAP3S25GMT	21
FAS232	83	FLC217	349	FRS332J	341	HFSX-1BC	409	INX8052SS	508	NRL 86-1	399	QA1603	103
FAS232D2	171	FLC220	349	FRS354J	341	HFSX-2BC	409	INX8053A	508	NRL 86-2	399	QA1605	103
FAS240	83	FLC224	349	FRS414J	341	HPAB26570	149	INX8053B	508	NRL 86-3	399	QA1610	103
FAS254D2	171	FLC228	349	FRS417J	341	HPAB44170	149	INX8053SS	508	NRL 86-4	399	QA1615	103
FAS260D2	171	FLC232	349	FRS428J	341	HPAB44570	149	INX8054A	508	NRL 86-5	399	QA511T	105
FBL117	373	FLC240	349	FRS432J	341	HPAB44670	149	INX8054B	508	NRL 86-6	399	QA512T	105
FBL18	373	FLC254	349	FRS454J	341	HPAB46170	149	INX8055A	508	NRL 86-7	399	QAL501T	107
FBL28	373	FMN18	367	FS114J	357	HPAB46570	149	INX8055B	508	NRL 96-1	397	QAL502T	107
FBN18	367	FMN28	367	FS117J	357	HPAB46571	149	IPEH1511GCGPC	257	NRL 96-2	397	QS1603	33
FBN28	367	FMR115	369	FS120J	357	HPAB46573	149	IPEH1511GCGPP	257	NRL 96-3	397	QS1605	33
FBR18	371	FN115	375	FS124J	357	HPAB46670	149	IPEH1511GCGPW	257	NRL 96-4	397	QS1610	33
FBR28	371	FN117	375	FS128J	357	HPSB24570	37	IPEH1511GCGPP	257	NRL 96-5	397	QS1615	33
FCM114	353	FN120	375	FS132J	357	HPSB44170	37	IPEH18F1GCGPC	257	NRL 96-6	397	RAFHS171B	67
FCM117	353	FN132	375	FS140J	357	HPSB44571	37	IPEH18F1GCGPP	257	NRL 96-7	397	RAFHS251B	67
FCM120	353	FN140	375	FS154J	357	HPSB44670	37	IPEH18F1GCGPW	257	NX1502ACG	506	RAFHS41B	67
FCM124	353	FN215	375	FS214J	357	IMFHS171B	31	IPEH26F1GCGPC	257	PC-1-3	401	RAFLS151B	67
FCM128	353	FN217	375	FS217J	357	IMFHS251B	31	IPEH26F1GCGPP	257	PC-1-4	401	RAFLS251B	67
FCM132	353	FN220	375	FS220J	357	IMFHS41B	31	IPEH26F1GCGPW	257	PHAP3A10HGMT	89	RAFLS41B	67
FCM140	353	FPS217	229	FS224J	357	IMFLS151B	31	IPEH32F1GCGPC	257	PHAP3A17HGMT	89	RAFPS251B	67
FCM154	353	FPS217D2	245	FS228J	357	IMFLS251B	31	IPEH32F1GCGPP	257	PHAP3R10MT	87	RAFPS41B	67
FCM214	353	FPS220	229	FS232J	357	IMFLS41B	31	IPEH32F1GCGPW	257	PHIDHA101B	101	RBFSH171B	59
FCM217	353	FPS232	229	FS240J	357	IMFPS251B	31	IPEV1511GCGPC	241	PHIDHA171B	99	RBFSH251B	59
FCM220	353	FPS232D2	245	FS254J	357	IMFPS41B	31	IPEV1511GCGPP	241	PHIDHA251B	99	RBFSH41B	59
FCM224	353	FPS240	229	FS314J	357	INX1500-M1	507	IPEV1511GCGPW	241	PHIDHA41B	99	RBFLS151B	59
FCM228	353	FPS260	229	FS317J	357	INX1501-S1A	507	IPEV1511GCGPP	241	PHIDHS101B	29	RBFLS251B	59
FCM232	353	FPS260D2	245	FS320J	357	INX1502BCG	506	IPEV18F1GCGPC	241	PHIDHS171B	25	RBFLS41B	59
FCM240	353	FPS317	229	FS324J	357	INX1502-M2	507	IPEV18F1GCGPP	241	PHIDHS251B	27	RBFFS251B	59
FCM254	353	FPS320	229	FS328J	357	INX1503-S2A	507	IPEV18F1GCGPW	241	PHIDHS41B	27	RBFFS41B	59
FDA214PAR	333	FPS332	229	FS332J	357	INX1505-S3A	507	IPEV26F1GCGPC	241	PHIDLA101B	101	SC30H	509
FDA214PER	333	FPS332D2	245	FS340J	357	INX1506ACG	506	IPEV26F1GCGPP	241	PHIDLA151B	97	SPA42170	171
FDA217PAR	333	FPS340	229	FS354J	357	INX1506BCG	506	IPEV26F1GCGPW	241	PHIDLA11B	97	SPA42570	171
FDA217PER	333	FR114J	337	FS414J	357	INX1506-M3	507	IPEV32F1GCGPC	241	PHIDLA251B	99	SPP42870	245
FDA220PAR	333	FR117J	337	FS417J	357	INX1506-M4	507	IPEV32F1GCGPP	241	PHIDLA41B	99	SPP22170	245
FDA220PER	333	FR120J	337	FS420J	357	INX1507-S4A	507	IPEV32F1GCGPW	241	PHIDLA71B	97	SPP42170	245
FDA224PAR	333	FR124J	337	FS424J	357	INX1508ACG	506	JUS41B	407	PHIDL101B	29	SPP42870	245
FDA224PER	333	FR128J	337	FS428J	357	INX1508BCG	506	JUSN42B	405	PHIDL151B	25	SPP43170	245
FDA228PAR	333	FR132J	337	FS432J	357	INX1508-M6	507	LXACRS10MT	195	PHIDL51B	25	SPS22170	45
FDA228PER	333	FR140J	337	FS440J	357	INX1509-S6A	507	LXACRS7MT	195	PHIDL5251B	27	SPS42170	45
FDA232PAR	333	FR154J	337	FS454J	357	INX1510-M8	507	LXAP3A15HGMT	167	PHIDL541B	27	SPS42570	45
FDA232PER	333	FR214J	337	FSS220	11	INX1511-S8A	507	LXAP3A15HGMTL	187	PHIDL571B	25	SPS42870	45
FDA240PAR	333	FR217J	337	FSS232	11	INX1512-M10	507	LXAP3R10MT	185	PHIDMA101B	101	VP22170	233
FDA240PER	333	FR220J	337	FSS240	11	INX1513-S10	507	LXAP3R70MT	185	PHIDPA151B	97	VP42170	233
FDA254PAR	333	FR224J	337	FSS260	11	INX1515-S11	507	LXAP3X10MTL	185	PHIDPA171B	97	VP42570	233
FDA254PER	333	FR228J	337	FSS260D2	45	INX1516-M12	507	LXSP3R70MT	49	PHIDPA251B	99	VPH42170	249
FDA314PAR	333	FR232J	337	FSS460	11	INX1517-S12A	507	LXSP3S15HGMT	51	PHIDPA41B	99	VPH42170	249
FDA314PER	333	FR240J	337	FT214	325	INX1518-M13	507	LXSP3X10MT	49	PHIDPS101B	29	VPH42170EM1	249
FDA317PAR	333	FR254J	337	FT217	325	INX1519-S13A	507	MHAP3A10HGMT	187	PHIDPS151B	25	VPH84170	249
FDA317PER	333	FR314J	337	FT220	325	INX1520-F1	507	MHAP3A17HGMT	187	PHIDPS251B	27	WP163FP6	238
FDA320PAR	333	FR317J	337	FT224	325	INX1521-S1B	507	MHAP3R10MT	185	PHIDPS41B	27	WP42170	237
FDA320PER	333	FR320J	337	FT228	325	INX1522-F2	507	MHSP3R10MT	49	PHIDPS71B	25	WP43570	237
FDA324PAR	333	FR324J	337	FT232	325	INX1523-S2B	507	MHSP3S10HGMT	51	PHSP3R10MT	15	WP82870	237
FDA324PER	333	FR328J	337	FT240	325	INX1524-F3	507	MHSP3S17HGMT	51	PHSP3S10HGMT	17	WP82870W3	237
FDA328PAR	333	FR332J	337	FT254	325	INX1525-S3B	507	MP1054MTK	167	PHSP3S17HGMT	17	WPH42170	253
FDA328PER	333	FR340J	337	FT260	325	INX1526-F4	507	MP22870L	167	POB20A31	141	WPH43570	253
FDA332PAR	333	FR354J	337	FT314	325	INX1527-S4B	507	MP42570L	167	POB20A41	141	WPH82870	253
FDA332PER	333	FR414J	337	FT317	325	INX1528-F6	507	MP42780L	167	POB21A31	141	WPS43578	237
FDA340PAR	333	FR417J	337	FT320	325	INX1529-S6B	507	MP42870	167	POB21A41	141	WPSH43570	253
FDA340PER	333	FR420J	337	FT324	325	INX1530-F8	507	MP42870LEM1	167	POB22A31	141	ZLXAP3A15GMT	191
FDA354PAR	333	FR424J	337	FT328	325	INX1531-S8B	507	NHIDHA101B	201	POB22A41	141	ZLXAP3A25GMT	191
FDA354PER	333	FR432J	337	FT332	325	INX1532-F10	507	NHIDHA171B	197	POB22A41	141	ZLXAP3A25GMTL	191
FE215CV/1	383	FR432J	337	FT335	325	INX1533-S10B	507	NHIDHA251B	199	POB22TR-3	141	ZLXAP3S15GMT	55
FE215CV/2	383	FR440J	337	FT340	325	INX1535-S11B	507	NHIDHA41B	199	POB22TR-4	141	ZLXSP3S15GMT	55
FE215CV/3	383	FR454J	337	FT354	325	INX1536-F12	507	NHIDHS101B	65	POB24A31	141	ZLXSP3S25GMT	55
FE215CV/4	383	FRD214	329	FT360	325	INX1537-S23B	507	NHIDHS171B	61	POB24A41	141	ZMHAP3A17GMT	191
FE215CV/5	385	FRD217	329	FT414	325	INX1538-F13	507	NHIDHS251B	63	POB24TR-3	141	ZMHAP3A25GMT	191
FE215CV/6	385	FRD220	329	FT417	325	INX1539-S13B	507	NHIDHS41B	63	POB24TR-4	141	ZMHSP3S25GMT	55
FE28/1	383	FRD224	329	FT420	325	INX1541-S1C	507	NHIDLA101B	201	PP-123	401	ZP42173	179
FE28/2	383	FRD225	329	FT424	325	INX1543-S2C	507	NHIDLA151B	197	PP-124	401	ZP42573	179
FE28/3	383	FRD228	329	FT428	325	INX1545-S3C	507	NHIDLA11B	197	PR-123-BC	401	ZP42871	179
FE28/4	383	FRD232	329	FT432	325	INX1547-S4C	507	NHIDLA251B	199	PR-124-BC	401	ZP42873	179
FEPB47A-#	213	FRD240	329	FT435	325	INX1549-S6C	507	NHIDLA41B	199	PR-223-BC	401	ZP42873EM2	179
FEPB47B-#	213	FRD254	329	FT440	325	INX1551-S8C	507	NHIDLA71B	197	PR-224-BC	401	ZP44573	179
FEPB49A-#	299	FRD314	329	FT454	325	INX1553-S10C	507	NHIDLA11B	197	PPAP3A17HGMT	89	ZPHSP3S17GMT	55
FEPB49B-#	299	FRD317	329	FT460	325	INX1555-S11C	507	NHIDLS101B	65	PSAP3A17HGMT	197	ZPSAP3A17GMT	191
FEPC31A-#	213	FRD324	329	FWFC240S	41	INX1557-S12C	507	NHIDLS151B	61	PPSP3S17HGMT	17	ZPSAP3A25GMT	191
FEPC31B-#	299	FRD325	329	FWFN260A	153	INX1559-S13C	507	NHIDLS11B	61	PSSP3S17HGMT	51	ZPSSP3S17GMT	55
FEPC35A-#	213	FRD328	329	FWFN260S	41	INX1560-S14C	507	NHIDLS251B	63	PXAP3A15HGMTL	89		

STAINLESS STEEL

Professional Use Lighting

ProMax Linear Fluorescent	ProCor High Intensity Discharge	ProFlood Flood Lights
Summit/ss - Pg. 2 	Optima 1000/ss - Pg. 14 	Goliath 2000/ss - Pg. 24 
Radia/ss - Pg. 6 	Optima 1010/ss - Pg. 16 	Goliath 2010/ss - Pg. 26 
Intrepid/ss - Pg. 10 (FSS) 	Optima 1020/ss - Pg. 20 	Goliath 2020/ss - Pg. 28 
		Vulcan/ss - Pg. 30 
		Achiever QS/ss - Pg. 32 

(Previous Name)

Pro

ProMax Summit/ss



FEATURES

- High output luminaire, up to 30,000 raw lumens.
- Fluorescent system provides energy savings up to 50% when compared to HID.
- Third party certified for operation in high ambient temperatures, up to 55°C (131°F).
- Multi voltage electronic ballast resistant to brownouts or voltage and frequency fluctuations.
- Stainless steel housing, lens frame and hinges.
- One piece neoprene gasket provides a watertight seal.
- Optional high efficiency reflector up to 95% total reflectivity.
- Pendant, feed-through or combination mounting styles.
- USDA compliant materials.
- Meets Canadian Processed Products Regulations C.R.C., c.291.
- Optional, self contained emergency battery backup ballasts.
- Optional long life T5 lamps available upon request (consult factory).

APPLICATIONS

- High, mid & low bay
- High pressure hose down areas
- Food & beverage processing facilities
- Freezer and refrigeration
- Waste water treatment plants
- Watertight requirements
- Dusttight requirements
- Pharmaceutical & additive formulation & processing
- Cargo hold areas
- Pulp & paper production
- Salt & potash mines
- Industrial wash bays
- Warehouse/storage facilities
- Corrosive environments

APPROVALS

- Type 4X
- Conforms to IP66
- ABS
- NSF

STANDARDS

- UL 924 - Emergency Lighting Equipment
- UL 1598 - Luminaires
- CSA - C22.2 250 04
- Canadian Processed Products Regulations C.R.C., c.291
- CSA - C22.2 141
- NSF/ANSI 2-2007 Splash Zone

TECHNICAL SPECIFICATIONS

HOUSING/LENS FRAME

Type 304 stainless steel. Optional type 316.

LENS

Acrylic, optional polycarbonate and tempered glass

REFLECTOR

Type 5052H32 aluminum with an electrostatically applied white polyester powder coat finish. Minimum 90% reflectance. High efficiency option, minimum 95% reflectance.

GASKET

One piece closed cell neoprene sponge.

HINGES

Stainless steel.

LAMP HOLDERS

Spring loaded on T5, T5HO and T8HO models. Locking sockets on T8 Bi-Pin models. Engineered plastics, no urea materials.

MOUNTING

See ORDERING REFERENCES and MOUNTING OPTIONS for details.

ENTRIES

1/2" or 3/4" NPT feed-through, pendant or combination.

LAMP TYPES

See ORDERING REFERENCES. Lamps not provided.

BALLAST

120 to 277 volt 50/60 Hz electronic, optional 347v and 480v.

Lamp Wattage	Ballast/Socket Type	ANSI Lamp Code	Starting Temp	Maximum Ambient*	Supply Wire
17	T8 Bi-Pin G13	F17-T8	0°F/-18°C	55°C	90°C
32	T8 Bi-Pin G13	F32-T8	-20°F / 29°C	55°C	90°C
24/54	T5HO Mini Bi-Pin G5	F24/F54-T5HO	-20°F/-29°C	40°C**	90°C
14/28	T5 Mini Bi-Pin G5	F14/F28-T5	0°F/-18°C	55°C	90°C
44	T8HO RDC R17d	F48-T8HO	-20°F/-29°C	55°C	90°C

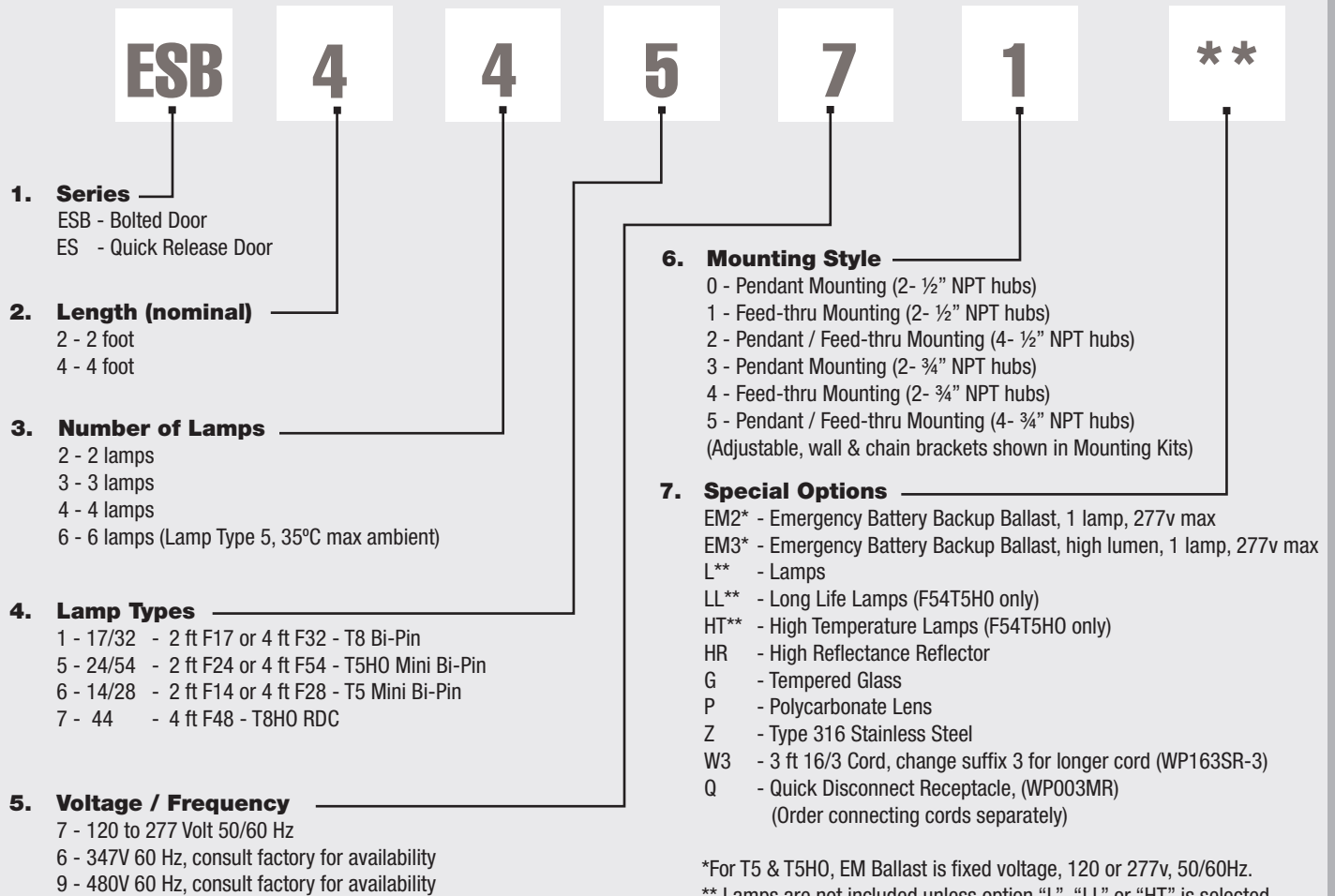
*Consult factory for optional higher ambient models.

**6 lamp models 35°C maximum ambient.

EMERGENCY BATTERY BACKUP BALLAST

Optional, self contained 90 minute minimum for all lamp types. 120 minutes minimum for F32T8 one lamp. Starting temperature 32°F/0°C.

ORDERING REFERENCES



Notes:

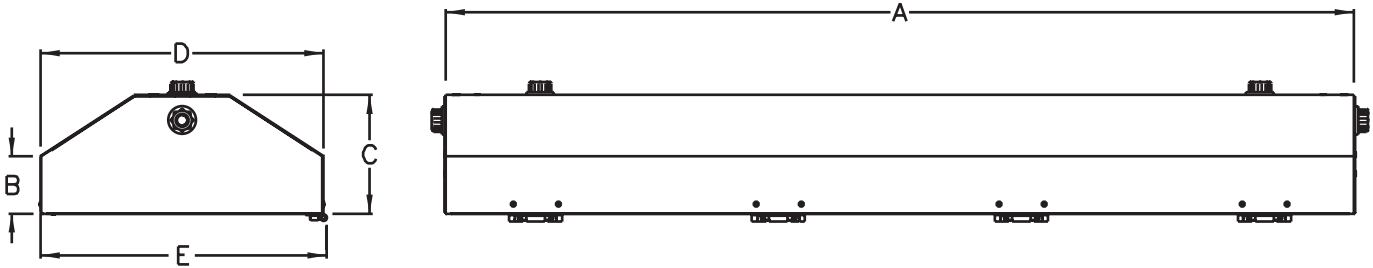
1. Consult factory for options not listed.

SPARE PARTS

Part No.	Description
FX5350	BALLAST 120-277V AC 50/60HZ, 1 x 14, F14T5
FX5350	BALLAST 120-277V AC 50/60HZ, 1 x 28, F28T5
FX5307	BALLAST 120-277V AC 50/60HZ, 1 x 24, F24T5HO
FX5305	BALLAST 120-277V AC 50/60HZ, 1 x 54, F54T5HO
FX5174	BALLAST 120-277V AC 50/60HZ, 1 x 17, F17T8
FX5221	BALLAST 120-277V AC 50/60HZ, 1 x 32, F32T8
FX5349	BALLAST 120-277V AC 50/60HZ, 1 x 44, F48T8HO
FX5350	BALLAST 120-277V AC 50/60HZ, 2 x 14, F14T5
FX5350	BALLAST 120-277V AC 50/60HZ, 2 x 28, F28T5
FX5307	BALLAST 120-277V AC 50/60HZ, 2 x 24, F24T5HO
FX5305	BALLAST 120-277V AC 50/60HZ, 2 x 54, F54T5HO
FX5340	BALLAST 120-277V AC 50/60HZ, 2 x 17, F17T8
FX5340	BALLAST 120-277V AC 50/60HZ, 2 x 32, F32T8
FX5349	BALLAST 120-277V AC 50/60HZ, 2 x 44w, F48T8HO
FX5135U	EMERGENCY BATTERY BACKUP BALLAST, EM2, 120-277v, for T8 & T8HO models
FX5195U	EMERGENCY BATTERY BACKUP BALLAST, EM3, 120-277v, T8 & T8HO models
FX5316	EMERGENCY BATTERY BACKUP BALLAST, EM2/EM3, 120 or 277v, T5 & T5HO models
FX3573	LAMP, 14w, F14T5
FX3574	LAMP, 28w, F28T5
FX3568	LAMP, 24w, F24T5HO
FX3567	LAMP, 54w, F54T5HO
FX3577	LAMP, 54w Long Life F54T5HO
FX3567HT	LAMP, 54w, F54T5HO
FX3528	LAMP, 17w, F17T8
FX3527	LAMP, 32w, F32T8
FX3565	LAMP, 44w, F48T8HO
FX2242	LENS, 4ft. models
FX2241	LENS, 2ft. models
GKT6124-115	GASKET, 4ft. models
GKT6124-69	GASKET, 2ft. models
FX8116SS	HINGES, 4ft. models
FX4064F	LAMP HOLDER, stationary for T5 models
FX4064P	LAMP HOLDER, spring loaded for T5 models
FX4004	LAMP HOLDER, stationary for T8HO models
FX4005	LAMP HOLDER, spring loaded for T8HO models
FX4048	LAMP HOLDER, stationary for T8 models

ProMax Summit/ss

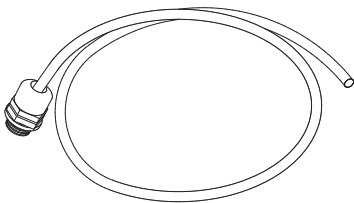
DIMENSIONS



Nominal Length	Dimensions in Inches / Centimeters					Carton L x W x D inches	Nominal Weight	
	A	B	C	D	E		Lbs	Kg
2 Foot	26.59 / 67.5	3.2 / 8.1	6.59 / 16.7	15.72 / 39.9	15.92 / 40.4	28 3/4 x 16 3/8 x 7 1/8	30	13.61
4 Foot	50.59 / 128.5	3.2 / 8.1	6.59 / 16.7	15.72 / 39.9	15.92 / 40.4	53 x 16 3/8 x 7 1/8	54	24.50

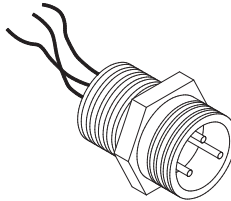
Add 1 lb for 3 or 4 lamps.

ACCESSORIES



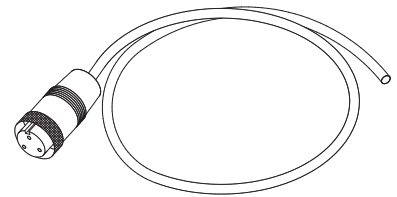
WP163SR-6

Cord assembly - strain relief connector and 6 feet of #16/3 cable. If longer cable required change suffix "6" to length needed.



WP003MR

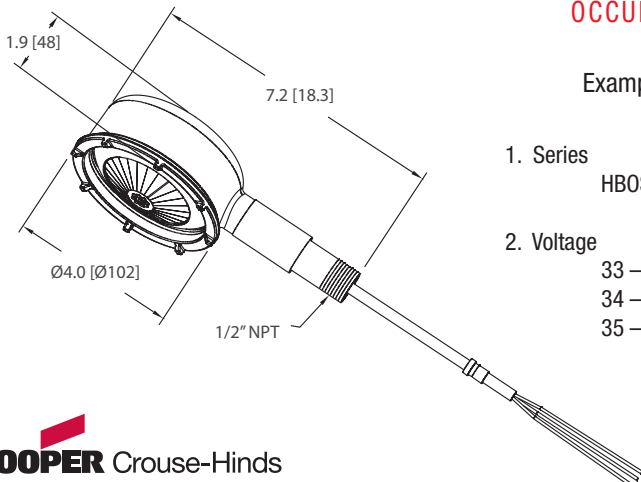
Quick disconnect receptacle. Required when #WP163FP-6 is used.



WP163FP-6

Cord assembly - molded plug & 6 feet of #16/3 cable. If longer cable required change suffix "6" to length needed.

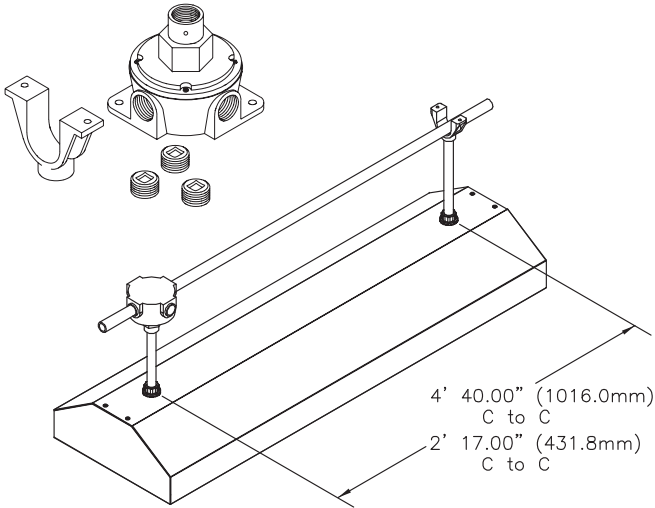
OCCUPANCY SENSOR KIT



Example: HBOS 35 M S

- Series
HBOS
- Voltage
33 – 208/240 VAC
34 – 347/480 VAC
35 – 120/277 VAC
- Lens Type
N – Narrow Linear Pattern Aisle Way Lens
M – Medium range 24 ft coverage, 20 ft mounting height
W – Wide range 68 ft coverage, 40 ft mounting height
- Extension Attachment Material
A – Aluminum
S – Stainless Steel

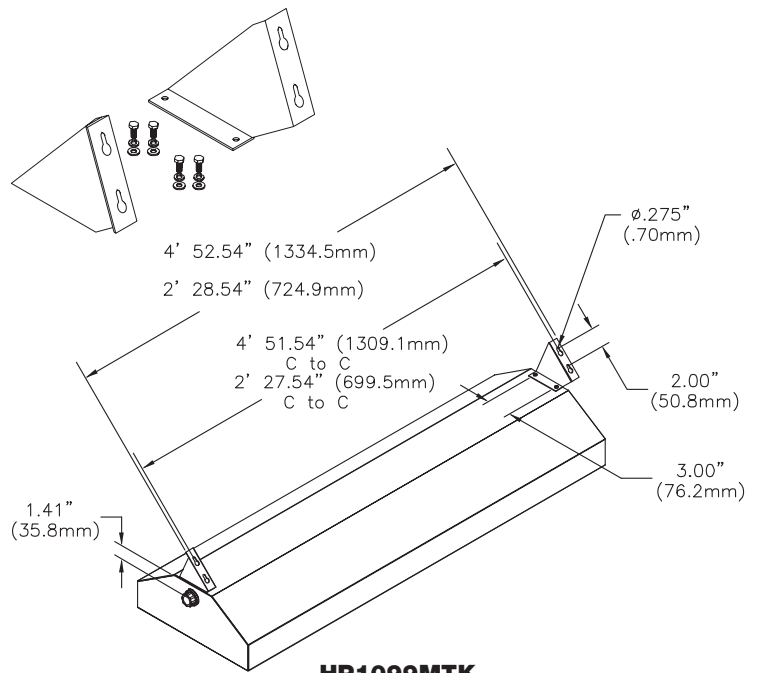
MOUNTING OPTIONS



HP1095MTK

Pendant kit.

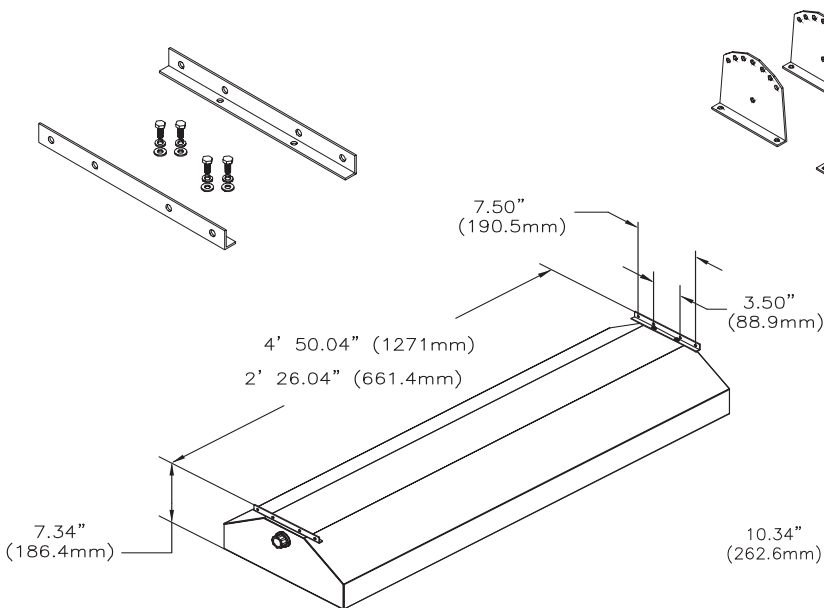
Consists of 1 saddle strap and one universal junction box & cover (3/4" NPT hubs).



HP1099MTK

Fixed wall mounting kit.

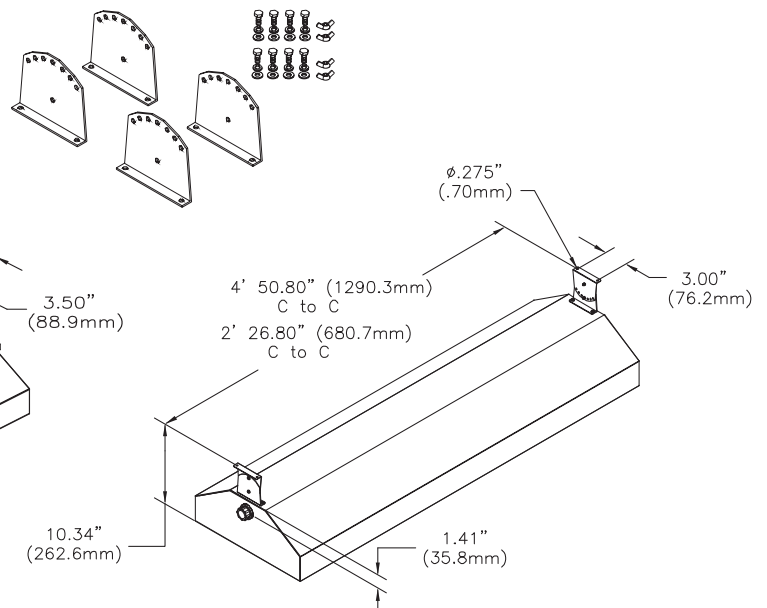
Consisting of 2 angled stainless steel wall brackets & hardware to mount brackets to fixture.



HP1093MTK

Chain/cable mounting kit.

Consisting of 2 stainless steel chain brackets & hardware to mount brackets to fixture.



HP1097MTK

Adjustable mounting kit.

Consisting of 2 pairs of stainless steel brackets & hardware to mount brackets to fixture.

Pro

ProMax Radia/ss



FEATURES

- Fluorescent system provides energy savings up to 50% when compared to HID.
- Multi voltage electronic ballast resistant to brownouts or voltage and frequency fluctuations.
- Optional 100,000 hour long life lamps reduce relamp costs by as much as 70%.
- Flat or drop style lens versions with wide beam lumen dispersions of 140 to over 180 degrees.
- Lens frame hinged on side for easy lamp replacement.
- Adjustable mounting brackets allow 110° range of mounting positions.
- Shoc♦Loc™ Bi-Pin spring loaded lamp holders for T5, T8 and T12 lamp types, provide superior resistance to shock and vibration.
- Field replaceable gasket, lens frame and latches.
- Standard wall/ceiling mount style can be rotated on longitudinal axis for optimum light positioning.
- Neoprene gasket resists petroleum.
- Optional, self contained emergency battery backup ballasts.
- Optional long life T5 lamps available upon request (consult factory).

APPLICATIONS

- Marine & watertight requirements
- Industrial wash pits
- Dusttight requirements
- Corrosive environments
- Waste water treatment plants
- Pulp & paper production
- Pharmaceutical & additives formulation & processing
- Salt and potash mines

APPROVALS

- Type 4X
- IP66
- ABS

STANDARDS

- UL 924 - Emergency Lighting Equipment
- UL 1598 - Luminaires
- CSA - C22.2 250-04
- CSA - C22.2 141

TECHNICAL SPECIFICATIONS

HOUSING

.062 inch thick, type 304 stainless steel, optional type 316.

LENS

0.125 inch thick, polycarbonate flat lens. Optional tempered glass flat lens or DR acrylic drop lens.

REFLECTOR

Type 5052H32 aluminum with an electrostatically applied white polyester powder coat finish. Minimum 90% reflectance.

GASKET

One piece neoprene.

MOUNTING

Adjustable stainless steel surface mount brackets.

LATCHES

Stainless steel positive-locking spring loaded.

LENS FRAME

Type 304 stainless steel, hinged on side. Optional type 316.

LAMP HOLDER

Spring loaded on one end for linear lamp types.

ENTRIES

¼" NPT feed-through outlets, one plugged.

LAMP TYPES

See ORDERING REFERENCES. Lamps not provided.

BALLAST

120 to 277 volt 50/60 Hz electronic, optional 347v and 480v.

Lamp Wattage	Ballast/Socket Type	ANSI Lamp Code	Starting Temp	Maximum Ambient*	Supply Wire
17	T8 Bi-Pin G13	F17-T8	0°F / -18°C	55°C	90°C
32	T8 Bi-Pin G13	F32-T8	-20°F / -29°C	55°C	90°C
40	4 Pin 2G11	FT40-CF	0°F / -18°C	40°C	90°C
24/54	T5HO Mini Bi-Pin G5	F24/F54-T5HO	-20°F / -29°C	55°C	90°C
14/28	T5 Mini Bi-Pin G5	F14/F28-T5	0°F / -18°C	55°C	90°C
44	T8HO RDC R17d	F48-T8HO	-20°F / -29°C	40°C	90°C
35/60	T12HO RDC R17d	F24/F48-T12HO	-20°F / -29°C	40°C	90°C

*Consult factory for optional higher ambient models.

EMERGENCY BATTERY BACKUP BALLAST

Optional, self contained 90 minute minimum for all lamp types. 120 minutes minimum for F32T8 one lamp. Starting temperature 32°F/0°C.

ORDERING REFERENCES



1. Series **2. Length (nominal)**

ARS - Flat lens 2 - 2 foot
 ARSD - Drop lens 4 - 4 foot

3. Number of Lamps

1 - 1 lamp
 2 - 2 lamps
 3 - 3 lamps, Lamp Type 1, 5, & 6
 4 - 4 lamps, 4 ft, Lamp Type 2 only

4. Lamp Types

1 - 17/32 - 2 ft F17 or 4 ft F32 - T8 Bi-Pin
 2 - 40 - 2 ft FT40 - CF 2G11
 5 - 24/54 - 2 ft F24 or 4 ft F54 - T5HO Mini Bi-Pin
 6 - 14/28 - 2 ft F14 or 4 ft F28 - T5 Mini Bi-Pin
 7 - 44 - 4 ft F48 - T8HO RDC
 8 - 35/60 - 2 ft F24 or 4 ft F48 - T12HO RDC

5. Voltage / Frequency

7 - 120 to 277 Volt 50/60 Hz
 6 - 347 Volt 60 Hz, consult factory for availability
 9 - 480 Volt 60 Hz, consult factory for availability

6. Mounting Style

0 - End Mounting - Standard wall/ceiling mounting kit included
 1 - End Mounting - Surface wall/ceiling mounting kit included
 2 - Pendant Mount - Via 3/4" NPT hubs. See HP1095MTK for optional mounting kit.

7. Special Options

EM2* - Emergency Battery Backup Ballast, 1 lamp, 277v max
 EM3* - Emergency Battery Backup Ballast, high lumen, 1 lamp, 277v max
 EMT2* - Emergency Battery Backup Ballast, 1 lamp, 277v max, test switch
 EMT3* - Emergency Battery Backup Ballast, high lumen, 1 lamp, 277v max, test switch
 L** - Lamps
 LL** - Long Life Lamps (F54T5HO only)
 P - Polycarbonate Lens (Standard on flat lens model)
 TG - Tempered Glass Lens (Flat lens model only)
 W - Dual Safety Cable Attachment Points
 Z - Type 316 Stainless Steel Housing, lens frame
 T - Multi Point Terminal Block
 SM - Shock Mount

*For T5 & T5HO, EM Ballast is fixed voltage, 120 or 277v, 50/60Hz.

**Lamps are not included unless option "L" or "LL" is specified.

Notes:

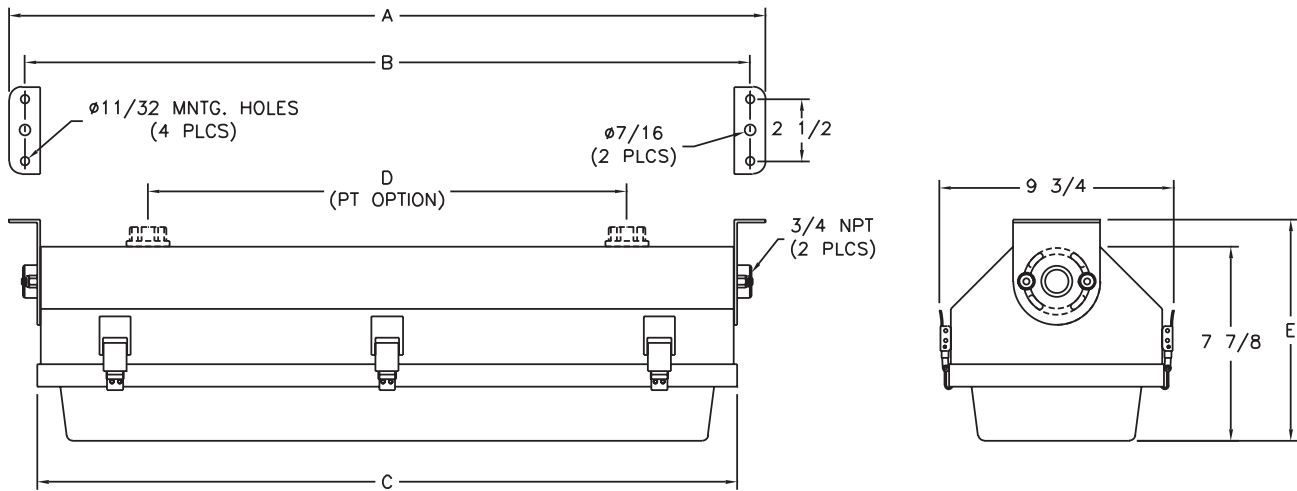
1. Consult factory for options not listed.

SPARE PARTS

Part No.	Description	Part No.	Description	Part No.	Description
FX5350	BALLAST 120-277V AC 50/60HZ, 1 x 14, F14T5	FX5340	BALLAST 120-277V AC 50/60HZ, 2 x 32, F32T8	FX3505	LAMP, 60w, F48T12HO
FX5350	BALLAST 120-277V AC 50/60HZ, 1 x 28, F28T5	FX5349	BALLAST 120-277V AC 50/60HZ, 2 x 44, F48T8HO	FX3533	LAMP, 40w, FT40 2G11
FX5307	BALLAST 120-277V AC 50/60HZ, 1 x 24, F24T5HO	FX5334	BALLAST 120-277V AC 50/60HZ, 2 x 35, F24T12HO	FX2134	FLAT LENS, Polycarbonate, 2ft. models
FX5305	BALLAST 120-277V AC 50/60HZ, 1 x 54, F54T5HO	FX5334	BALLAST 120-277V AC 50/60HZ, 2 x 60, F48T12HO	FX2135	FLAT LENS, Polycarbonate, 4ft. models
FX5174	BALLAST 120-277V AC 50/60HZ, 1 x 17, F17T8	FX5272	BALLAST 120-277V AC 50/60HZ, 2 x 40, FT40 2G11	FX2136	DROP LENS, DR Acrylic, 2ft. models
FX5221	BALLAST 120-277V AC 50/60HZ, 1 x 32, F32T8	FX5135U	EMERGENCY BATTERY BACKUP BALLAST, EM2/EMT2, 120-277v, CF, T8, T8HO, & T12HO	FX2137	DROP LENS, DR Acrylic, 4ft. models
FX5349	BALLAST 120-277V AC 50/60HZ, 1 x 44, F48T8HO	FX5195U	EMERGENCY BATTERY BACKUP BALLAST, EM3/EMT3, 120-277v, CF, T8, T8HO, & T12HO	GKT6088-69.5	GASKET, 2ft. models
FX5334	BALLAST 120-277V AC 50/60HZ, 1 x 35, F24T12HO	FX5316	EMERGENCY BATTERY BACKUP BALLAST, EM2/EMT2/EM3/EMT3, 120 or 277v, T5 & T5HO	GKT6088-117.5	GASKET, 4ft. models
FX5334	BALLAST 120-277V AC 50/60HZ, 1 x 60, F48T12HO	FX3573	LAMP, 14w, F14T5	FX7031S	MOUNT, Wall
FX5272	BALLAST 120-277V AC 50/60HZ, 1 x 40, FT40 2G11	FX3574	LAMP, 28w, F28T5	FX7027S	MOUNT, Standard
FX5350	BALLAST 120-277V AC 50/60HZ, 2 x 14, F14T5	FX3568	LAMP, 24w, F24T5HO	FX7022S	MOUNT, Surface
FX5350	BALLAST 120-277V AC 50/60HZ, 2 x 28, F28T5	FX3567	LAMP, 54w, F54T5HO	FX7023	MOUNT, Pipe Mount Kit
FX5307	BALLAST 120-277V AC 50/60HZ, 2 x 24, F24T5HO	FX3577	LAMP, 54w, Long Life F54T5HO	FX7025	MOUNT, Chain Mount Kit
FX5305	BALLAST 120-277V AC 50/60HZ, 2 X 54, F54T5HO	FX3528	LAMP, 17w, F17T8	FX7004A	MOUNT, Shock Mount
FX5340	BALLAST 120-277V AC 50/60HZ, 2 x 17, F17T8	FX3527	LAMP, 32w, F32T8	FX7028	BEAM CLAMP KIT, Beam clamps (2), Safety Cable & Cable Gland
		FX3565	LAMP, 44w, F48T8HO	FX4004	LAMP HOLDER, Stationary, 35w, 44w, 60w
		FX3507	LAMP, 35w, F24T12HO	FX4005	LAMP HOLDER, Spring, 35w, 44w, 60w
				FX4008	LAMP HOLDER, Stationary, 14w, 17w, 24w, 28w, 32w, 54w
				FX4009	LAMP HOLDER, Spring, 14w, 17w, 24w, 28w, 32w, 54w
				FX4043	LAMP HOLDER, Stationary, 40w CF
				N/A	LAMP HOLDER, Spring, 40w CF

ProMax **Radia**/ss

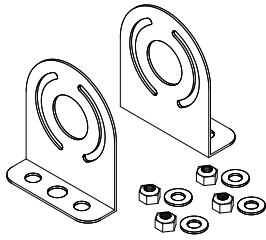
DIMENSIONS



Nominal Length	Dimensions in Inches / Centimeters						Carton W x D x L Inches		Nominal Weight	
	A	B	C	D	E1	E2	E1	E2	Lbs	Kg
2 Foot	31.5 / 80.01	30.25 / 76.84	29.25 / 74.30	25.88 / 65.72	9.0 / 22.86	6.0 / 15.24	10 x 6 x 31 $\frac{3}{4}$	10 x 8 x 32	21	9.5
4 Foot	55.5 / 140.97	54.25 / 137.80	53.25 / 135.26	36.0 / 91.44	9.0 / 22.86	6.0 / 15.24	10 x 6 x 56 $\frac{5}{8}$	10 x 8 x 56	34	15.4

Dimension "E1" is for drop style lens. Dimension "E2" is for flat style lens.
 Add 1 lb for 3 or 4 lamp.

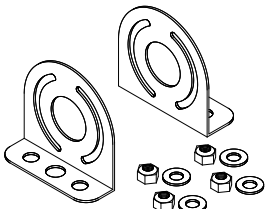
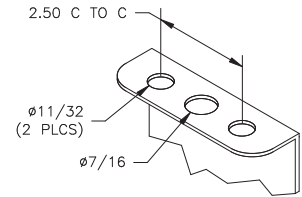
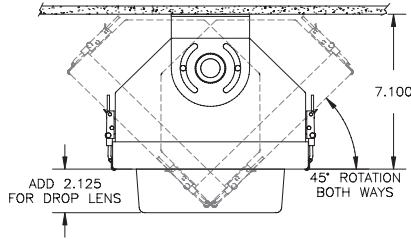
MOUNTING OPTIONS



FX7027S

Standard Wall/Ceiling Mounting Kit
 2 aluminum brackets and mounting hardware.
 Adjustable swivel mount.

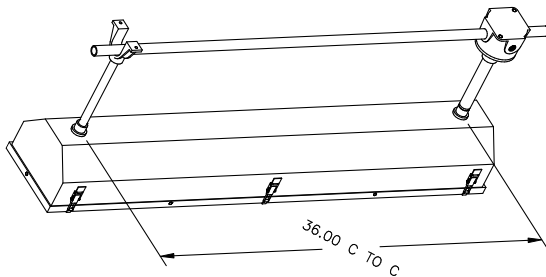
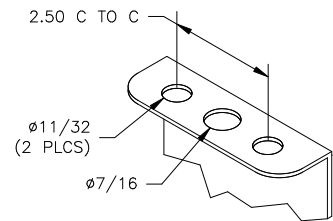
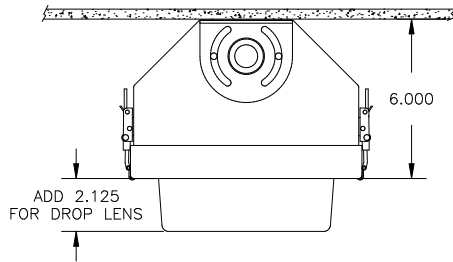
Standard Wall/Ceiling Mounting Kit



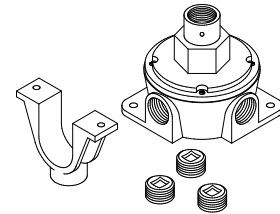
FX7022S

Surface Wall/Ceiling Mounting Kit
 2 aluminum brackets and mounting hardware.
 Flush mount.

Surface Wall/Ceiling Mounting Kit



Pendant Mount Kit



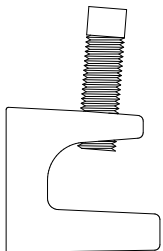
HP1095MTK

Pendant Kit
 1 saddle strap and one universal aluminum junction box & cover (3/4" NPT hubs).

Beam Clamp Kit

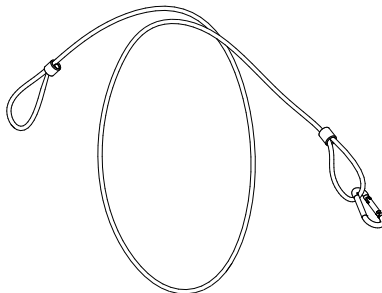
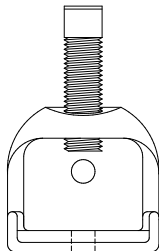
FX7028

Includes Beam Clamps (2), Safety Cable & Cable Gland



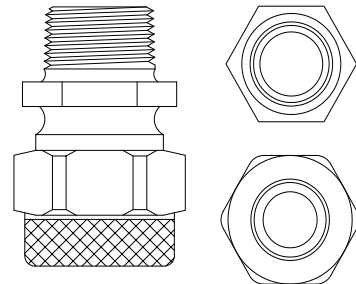
BC2K

2 Beam Clamp Kit.
 For use with surface mount.



SC30H

48" stainless steel Safety Cable with snap hook.



CX1502

Cable Gland 3/4" aluminum,
 cord grip range .438 - .562.

Pro

ProMax Intrepid/ss



FEATURES

- Fluorescent system provides energy savings up to 50% when compared to HID.
- Multi voltage electronic ballast resistant to brownouts or voltage and frequency fluctuations.
- Stainless steel housing, latches, mounting feet and lens retainers.
- Impact resistant, UV stabilized polycarbonate lens.
- Shoc♦Loc™ Bi-Pin spring loaded lamp holders for T5, T8 and T12 lamp types, provide superior resistance to shock and vibration.
- USDA compliant materials.
- Meets Canadian Processed Products Regulations C.R.C. c291.
- Neoprene gasket resists petroleum.
- Three lamp models are provided with (1) single lamp ballast and (1) two lamp ballast for independent switching or filter tube options.
- Optional, self contained emergency battery backup ballasts.
- Optional long life T5 lamps available upon request (consult factory).

APPLICATIONS

- Marine and watertight requirements
- Dusttight requirements
- Waste water treatment plants
- Food & beverage processing facilities
- Pulp and paper production
- Corrosive environments

APPROVALS

- Type 4X
- IP66
- Marine Outside Type Saltwater
- ABS
- NSF

STANDARDS

- UL 1598A - Luminaires for Marine Vessels
- UL 924 - Emergency Lighting Equipment
- EN 60529 - Ingress Protection
- Canadian Processed Products Regulations C.R.C. c291
- CSA - C22.2 250-04
- CSA - C22.2 141
- NSF/ANSI 2-2007 Food Contact

TECHNICAL SPECIFICATIONS

HOUSING

.062 inch thick, type 304 stainless steel, optional type 316.

LENS

0.090 inch thick, matte polycarbonate. Optional clear polycarbonate.

REFLECTOR

Type 5052H32 aluminum with an electrostatically applied white polyester powder coat finish. Minimum 90% reflectance.

GASKET

One piece neoprene.

MOUNTING

Stainless steel vibration dampening feet for ceiling, wall or chain mount, optional end mount. Kits available for uni-strut/rod and pole mount.

LATCHES

Stainless steel over the center cam.

LAMP HOLDERS

Spring loaded on one end for linear lamp types.

ENTRIES

Feed-through, one nonmetallic cable gland, and one end plugged. See Special Options for other entries.

LAMP TYPES

See ORDERING REFERENCES. Lamps not provided.

BALLAST

120 to 277 volt 50/60 Hz electronic, except F20 & F40 T12 Bi-Pin which are 120V 60Hz.

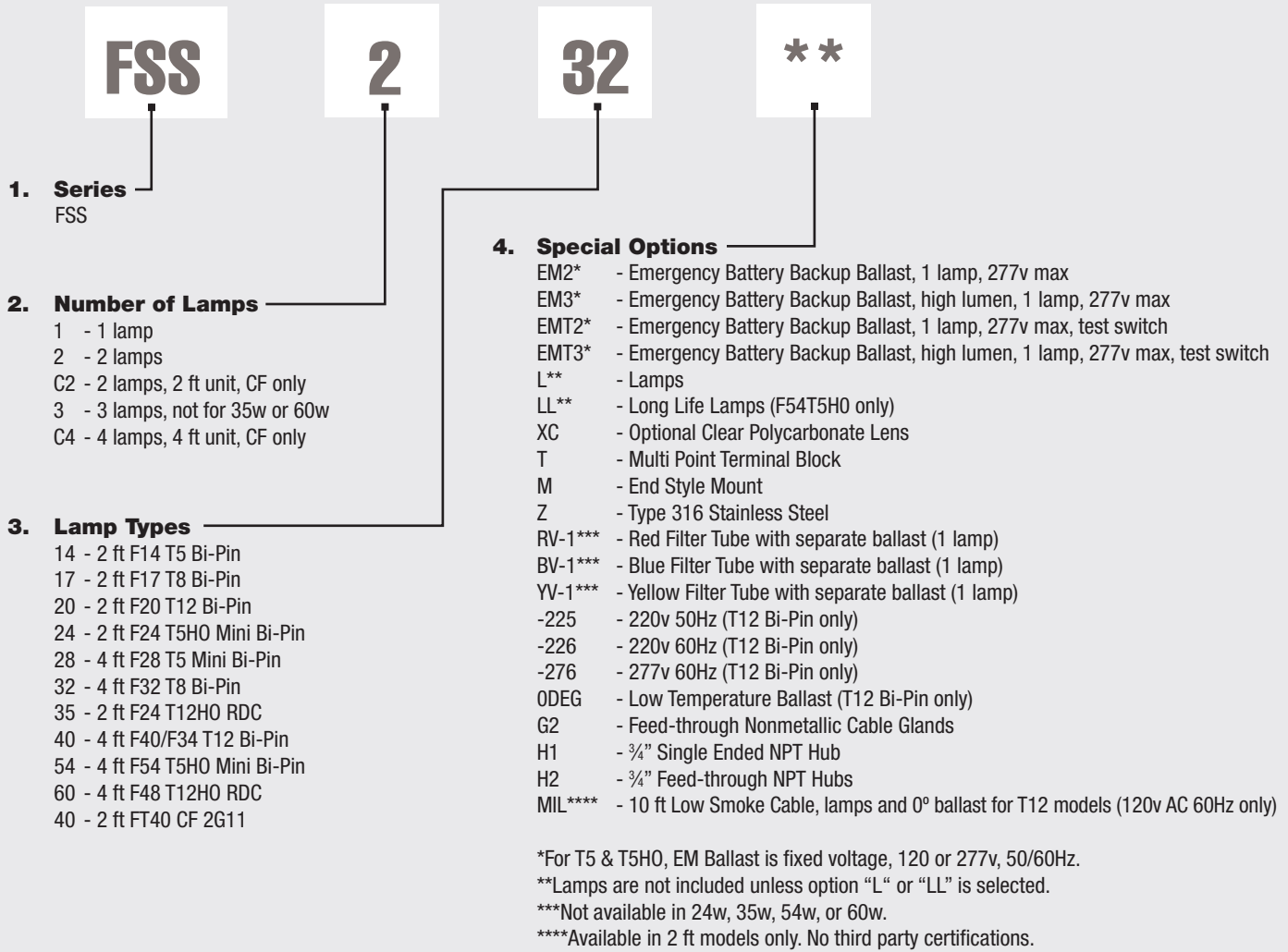
Lamp Wattage	Ballast/Socket Type	ANSI Lamp Code	Starting Temp	Maximum Ambient*	Supply Wire
17	T8 Bi-Pin G13	F17-T8	0°F / -18°C	40°C	90°C
32	T8 Bi-Pin G13	F32-T8	-20°F / -29°C	40°C	90°C
40	4 Pin 2G11	FT40 CF	0°F / -18°C	40°C	90°C
24/54	T5H0 Mini Bi-Pin G5	F24/F54-T5H0	-20°F / -29°C	40°C	90°C
14/28	T5 Mini Bi-Pin G5	F14/F28-T5	0°F / -18°C	40°C	90°C
35/60	T12H0 RDC R17d	F24/F48-T12H0	-20°F / -29°C	40°C	90°C

*Consult factory for optional higher ambient models.

EMERGENCY BATTERY BACKUP BALLAST

Optional, self contained 90 minute minimum for all lamp types. 120 minutes minimum for F32T8 one lamp. Starting temperature 32°F/0°C.

ORDERING REFERENCES



- Notes:
 1. Consult factory for options not listed.

COMMONLY ORDERED LUMINAIRES

Part No.	Description	Weight	
		Lbs	Kg
FSS232	Stainless Steel 4 foot fixture 2 x F32 T8 120-277v 50/60 Hz	23.2	10.5
FSS260	Stainless Steel 4 foot fixture 2 x F48 T12HO 120-277v 50/60 Hz	25.1	11.4
FX2175	Matte Polycarbonate Lens with Gasket 2 ft	1.5	.68
FX2177	Matte Polycarbonate Lens with Gasket 4 ft	2.7	1.22
FX2163	Clear Polycarbonate Lens with Gasket 2 ft	1.5	.68
FX2165	Clear Polycarbonate Lens with Gasket 4 ft	2.7	1.22
FX8014	Latches	.1	.05

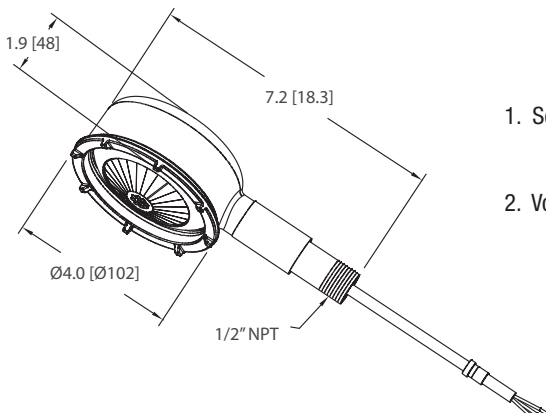
ProMax Intrepid/ss

SPARE PARTS

Part No.	Description
FX5350	BALLAST 120-277V AC 50/60HZ, 1 x 14, F14T5
FX5350	BALLAST 120-277V AC 50/60HZ, 1 x 28, F28T5
FX5307	BALLAST 120-277V AC 50/60HZ, 1 x 24, F24T5HO
FX5305	BALLAST 120-277V AC 50/60HZ, 1 x 54, F54T5HO
FX5174	BALLAST 120-277V AC 50/60HZ, 1 x 17, F17T8
FX5221	BALLAST 120-277V AC 50/60HZ, 1 x 32, F32T8
FX5334	BALLAST 120-277V AC 50/60HZ, 1 x 35, F24T12HO
FX5334	BALLAST 120-277V AC 50/60HZ, 1 x 60, F48T12HO
FX5272	BALLAST 120-277V AC 50/60HZ, 1 x 40, FT40 2G11
FX5350	BALLAST 120-277V AC 50/60HZ, 2 x 14, F14T5
FX5350	BALLAST 120-277V AC 50/60HZ, 2 x 28, F28T5
FX5307	BALLAST 120-277V AC 50/60HZ, 2 x 24, F24T5HO
FX5305	BALLAST 120-277V AC 50/60HZ, 2 X 54, F54T5HO
FX5340	BALLAST 120-277V AC 50/60HZ, 2 x 17, F17T8
FX5340	BALLAST 120-277V AC 50/60HZ, 2 x 32, F32T8
FX5334	BALLAST 120-277V AC 50/60HZ, 2 x 35, F24T12HO
FX5334	BALLAST 120-277V AC 50/60HZ, 2 x 60, F48T12HO
FX5272	BALLAST 120-277V AC 50/60HZ, 2 x 40, FT40 2G11
FX5009	BALLAST 120V 60HZ, 1 x 20w, F20T12
FX5326	BALLAST 120V 60HZ, 1 X 34w, F34T12
FX5326	BALLAST 120V 60HZ, 1 x 40w, F40T12
FX5001	BALLAST 120V 60HZ, 2 x 20w, F20T12
FX5004	BALLAST 120V 60HZ, 2 X 34w, F34T12
FX5004	BALLAST 120V 60HZ, 2 x 40w, F40T12
FX5135U	EMERGENCY BATTERY BACKUP BALLAST, EM2/EMT2, 120-277V for T8, T8HO, T12, T12HO & CF
FX5316	EMERGENCY BATTERY BACKUP BALLAST, EM2/EMT2/EM3/EMT3, 120 or 277V for T5 & T5HO
FX5095U	EMERGENCY BATTERY BACKUP BALLAST, EM3/EMT3, 120-277V for T8, T8HO, T12, T12HO & CF
FX3573	LAMP, 14w, F14T5
FX3574	LAMP, 28w, F28T5
FX3568	LAMP, 24w, F24T5HO
FX3567	LAMP, 54w, F54T5HO
FX3577	LAMP, 54w, Long Life F54T5HO
FX3528	LAMP, 17w, F17T8
FX3527	LAMP, 32w, F32T8
FX3506	LAMP, 20w, F20T12
FX3517	LAMP, 34w, F40T12/ES
FX3504	LAMP, 40w, F40T12
FX3507	LAMP, 35w, F24T12HO
FX3505	LAMP, 60w, F48T12HO
FX3533	LAMP, 40w CF, FT40 2G11
FX8014	LATCHES
GKT6106-69	LENS GASKET, 2ft. models
GKT6106-117	LENS GASKET, 4ft. models
FX4008	LAMP HOLDER, 17w, 20w, 24w, 32w, 40w & 54w Stationary
FX4009	LAMP HOLDER, 17w, 20w, 24w, 32w, 40w & 54w Spring
FX4008SET	LAMP HOLDER, (1 ea. FX4008, FX4009)
FX4004	LAMP HOLDER, 35w & 60w Stationary
FX4005	LAMP HOLDER, 35w & 60w Spring
FX4004SET	LAMP HOLDER, Set (1 ea. FX4004, FX4005)
FX4043	LAMP HOLDER, 40w CF
FX2175	MATTE POLYCARBONATE LENS (with Gasket), 2ft. models
FX2177	MATTE POLYCARBONATE LENS (with Gasket), 4ft. models
FX2163	CLEAR POLYCARBONATE LENS (with Gasket), 2ft. models
FX2165	CLEAR POLYCARBONATE LENS (with Gasket), 4ft. models
CX1517	CABLE GLAND, 3/4" NPT non metallic
FX2193RED	FILTER TUBE, Red 17w T8
FX2192RED	FILTER TUBE, Red 20w T12
FX2195RED	FILTER TUBE, Red 32w T8
FX2194RED	FILTER TUBE, Red 34w T12
FX2192BLU	FILTER TUBE, Blue 20w T12

OCCUPANCY SENSOR KIT

Example: HBOS 35 M S



1. Series

HBOS

2. Voltage

33 – 208/240 VAC
34 – 347/480 VAC
35 – 120/277 VAC

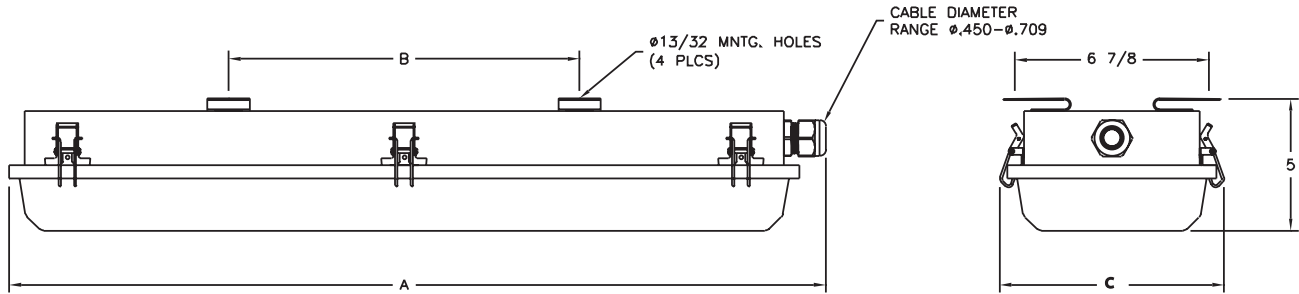
3. Lens Type

N – Narrow Linear Pattern Aisle Way Lens
M – Medium range 24 ft coverage, 20 ft mounting height
W – Wide range 68 ft coverage, 40 ft mounting height

4. Extension Attachment Material

A – Aluminum
S – Stainless Steel

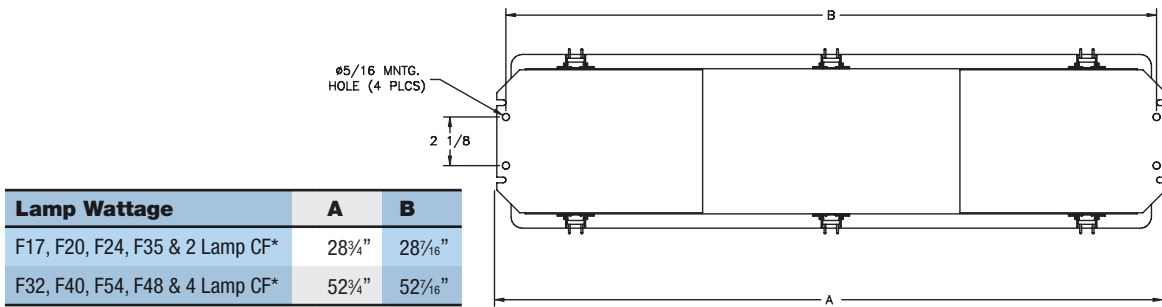
DIMENSIONS



Nominal Length	Dimensions in Inches / Centimeters			Carton W x D x L inches	Nominal Weight	
	A	B	C		Lbs	Kg
2 Foot	28.8 / 73.7	12.44 / 31.59	7.625 / 19.4	8 ³ / ₄ x 6 ¹ / ₄ x 31 ⁷ / ₈	23.2	10.5
4 Foot	52.8 / 134.6	36.56 / 92.87	7.625 / 19.4	8 ¹ / ₂ x 6 x 56 ¹ / ₆	25.1	11.4

MOUNTING OPTIONS

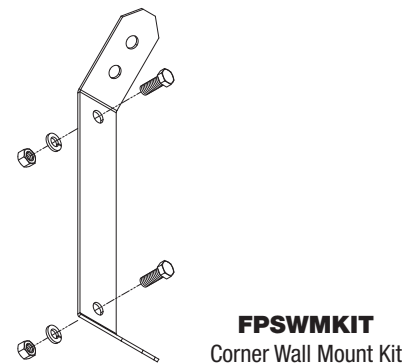
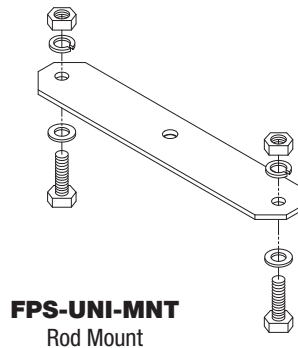
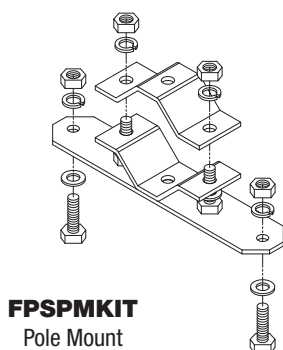
Option M - END STYLE MOUNT



Lamp Wattage	A	B
F17, F20, F24, F35 & 2 Lamp CF*	28 ³ / ₄ "	28 ⁷ / ₁₆ "
F32, F40, F54, F48 & 4 Lamp CF*	52 ³ / ₄ "	52 ⁷ / ₁₆ "

* CF = Compact Fluorescent

MOUNTING KITS



Pro

ProCor Optima 1000/ss



FEATURES

- The only stainless steel HID solution available.
- Tool less entry via four stainless steel positive locking latches.
- High temperature silicone gaskets provide a watertight seal.
- Ceiling, pendant, stanchion and wall mount types.
- Field replaceable globe and gaskets.
- Shallow dome reflector available.

APPLICATIONS

- Low bay
- Marine & watertight requirements
- Dusttight requirements
- Waste water treatment plants
- Pulp and paper production
- Aluminum processing facilities
- Salt and potash mines
- Pharmaceutical & additives formulation & processing
- Corrosive environments

APPROVALS

- Type 4X
- Conforms to IP66
- ABS

STANDARDS

- UL 1598 - Luminaires
- CSA - C22.2 No. 250-04

TECHNICAL SPECIFICATIONS

HOUSING AND MOUNTS

Type 316 stainless steel.

GLOBE RETAINING RING

Stainless steel.

LATCHES

Stainless steel, over the center cam.

GLOBE

Clear polycarbonate or Type V distribution, prismatic polycarbonate.

REFLECTOR

Optional shallow dome acrylonitrile butadiene styrene (ABS), gloss white.

MOUNTINGS

Ceiling, pendant, stanchion and wall.

ENTRIES

3/4" or 1" NPT outlets, stanchion 1 1/4" or 1 1/2".

GASKETS

One piece silicone.

BALLAST

120/208/240/277v 60Hz multi-tap ballast or 480v 60Hz. 50Hz ballasts optional.

LAMP TYPE

Luminaires are supplied without lamps.

Lamp Type/ Mogul Base	Wattage	ANSI Code	Ambient Temp	Supply Wire
HPS	50	S68	40/55°C	65/75°C
HPS	70	S62	40/55°C	65/75°C
HPS	100	S54	40/55°C	65/75°C
MH	70	M98	40°C	105°C
MH	100	M90	40°C	105°C

ORDERING REFERENCES



1. Lamp Type

- PXS - High Pressure Sodium
- PHS - Metal Halide

2. Mounting Type & Outlets

- B2 - 1" Wall Mount 2 Way
- B3 - 3/4" Wall Mount 2 Way
- B4 - 3/4" Wall Mount 4 Way
- B5 - 1" Wall Mount 4 Way
- C2 - 1" Ceiling Mount 2 Way
- C3 - 3/4" Ceiling Mount 2 Way
- C4 - 3/4" Ceiling Mount 4 Way
- C5 - 1" Ceiling Mount 4 Way
- P1 - 1" Pendant Mount
- P3 - 3/4" Pendant Mount
- S - 1 1/4" Stanchion Mount
- S1 - 1 1/2" Stanchion Mount

3. Globes

- R - Polycarbonate Refractor Globe
- X - Polycarbonate Clear Globe

4. Wattage

- 50 - 50w (PXS)
- 70 - 70w
- 10 - 100w

5. Voltage

- MT 120/208/240/277v 60Hz Multi-tap
- 486 480v 60Hz

Note: For 50Hz ballast consult factory.

6. Special Options

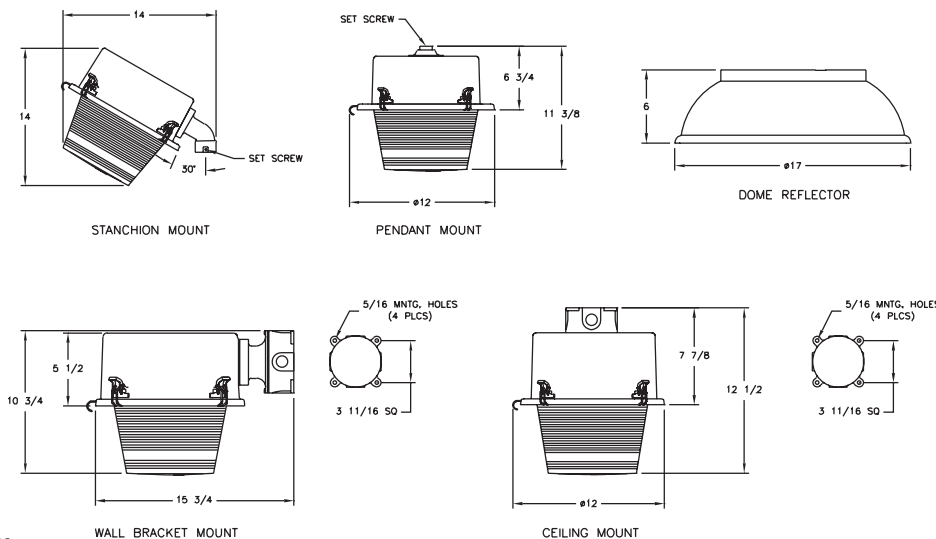
- IR* - Instant Restrike
- F - Fused Ballast
- L - Shallow Dome Reflector

*High Pressure Sodium only.

SPARE PARTS

Part No.	Description	Part No.	Description
INX5118	BALLAST, High Pressure Sodium 50w	INX7050P1S	MOUNTING, Pendant 1"
INX5116	BALLAST, High Pressure Sodium 70w	INX7050P3S	MOUNTING, Pendant 3/4"
INX5113	BALLAST, High Pressure Sodium 100w	INX7051C2S	MOUNTING, Ceiling 1" 2 Way
INX5135	BALLAST, Metal Halide 70w	INX7051C3S	MOUNTING, Ceiling 3/4" 2 Way
INX5133	BALLAST, Metal Halide 100w	INX7051C4S	MOUNTING, Ceiling 3/4" 4 Way
INX2169	GLOBE, Polycarbonate Refractor	INX7051C5S	MOUNTING, Ceiling 1" 4 Way
INX2181	GLOBE, Polycarbonate Clear	INX7055SS	MOUNTING, Stanchion 1 1/4"
INX3687	LAMP, High Pressure Sodium 50w	INX7055S1S	MOUNTING, Stanchion 1 1/2"
INX3662	LAMP, High Pressure Sodium 70w	INX7056B2S	MOUNTING, Wall 1" 2 Way
INX3535	LAMP, High Pressure Sodium 100w	INX7056B3S	MOUNTING, Wall 3/4" 2 Way
INX3683	LAMP, Metal Halide 70w	INX7056B4S	MOUNTING, Wall 3/4" 4 Way
INX3682	LAMP, Metal Halide 100w	INX7056B5S	MOUNTING, Wall 1" 4 Way
INX4100	LAMP HOLDER		
INX4567	REFLECTOR Shallow Dome		

DIMENSIONS



Dimensions in inches

Pro

ProCor Optima 1010/ss



Removable Ballast Tray

FEATURES

- The only stainless steel HID solution available.
- Maintenance friendly removable ballast tray.
- Tool less entry via four stainless steel over the center cam latches.
- High temperature silicone gaskets provide a watertight seal.
- Ceiling, pendant, stanchion and wall mount types.
- Field replaceable globe and gaskets.
- Tool less lamp replacement.
- Choice of angled or shallow dome reflectors.

APPLICATIONS

- Mid & low bay
- Marine & watertight requirements
- Dusttight requirements
- Waste water treatment plants
- Pulp and paper production
- Aluminum processing facilities
- Salt and potash mines
- Pharmaceutical & additives formulation & processing
- Corrosive environments

APPROVALS

- Type 4X
- Conforms to IP66
- ABS

STANDARDS

- UL 1598 - Luminaires
- CSA - C22.2 No. 250-04

TECHNICAL SPECIFICATIONS

HOUSING AND MOUNTS

Type 316 stainless steel.

GLOBE RETAINING RING

Stainless steel.

LATCHES

Stainless steel, over the center cam.

GLOBE

Internally fluted glass. Clear globe optional.

REFLECTORS

Optional 30° angled or shallow dome acrylonitrile butadiene styrene (ABS), gloss white.

MOUNTINGS

Ceiling, pendant, stanchion and wall.

ENTRIES

3/4" or 1" NPT outlets, stanchion 1/4" or 1/2".

GASKETS

One piece silicone.

GUARD

Optional stainless steel guard.

BALLAST

120/208/240/277v 60Hz multi-tap ballast or 480v 60Hz. 50Hz ballasts optional.

LAMP TYPE

Luminaires are supplied without lamps.

Lamp Type/ Base	Wattage	ANSI Code	Ambient Temp	Supply Wire Temp
HPS (MED)	50	S68	25°C	90°C
HPS (MED)	70	S62	25°C	90°C
HPS (MED)	100	S54	25°C	90°C
HPS (MED)	150	S55	25°C	90°C
HPS (MOG)	50	S68	40°C	90°C
HPS (MOG)	70	S62	40°C	90°C
HPS (MOG)	100	S54	40°C	90°C
HPS (MOG)	150	S55	40°C	90°C
MH (MED)	70	M98	25°C	110°C
MH (MED)	100	M90	25°C	110°C
MH (MED)	175*	M57	25°C	110°C
MH (MOG)	70	M98	25°C	110°C
MH (MOG)	100	M90	25°C	110°C
MH (MOG)	175*	M57	25°C	110°C
PSMH (MOG)	150	M102	25°C	110°C

*Not available in the U.S.

ORDERING REFERENCES

PXS

P3S

15

H

G

MT

N

1. Lamp Type

PXS - High Pressure Sodium
PHS - Metal Halide
PPS - Pulse Start Metal Halide

2. Mounting Type & Outlets

B2S - 1" Wall Mount 2 Way
B3S - ¾" Wall Mount 2 Way
B4S - ¾" Wall Mount 4 Way
B5S - 1" Wall Mount 4 Way
C2S - 1" Ceiling Mount 2 Way
C3S - ¾" Ceiling Mount 2 Way
C4S - ¾" Ceiling Mount 4 Way
C5S - 1" Ceiling Mount 4 Way
P1S - 1" Pendant Mount
P3S - ¾" Pendant Mount
SS - 1¼" Stanchion Mount
S1S - 1½" Stanchion Mount

3. Wattage

50 - 50w (PX)
70 - 70w (PX, PH)
10 - 100w (PX, PH)
15 - 150w (PX, PS)
17 - 175w (PH*)

*Not available in the U.S.

4. Lamp Holders

Blank - Medium Base
H - Mogul Base

5. Guards

Blank - No Guard
G - Guard

6. Voltage

MT - 120/208/240/277v 60Hz Multi-tap
486 - 480v 60Hz

Note: For 50Hz ballasts contact factory.

7. Special Options

IR* - Instant Restrike
F - Fused Ballast
N - 30° Angled Reflector
L - Shallow Dome Reflector
CG - Clear Globe

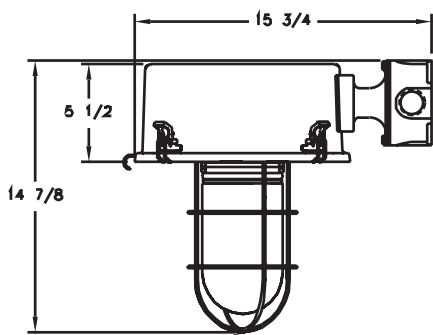
*High Pressure Sodium only.

SPARE PARTS

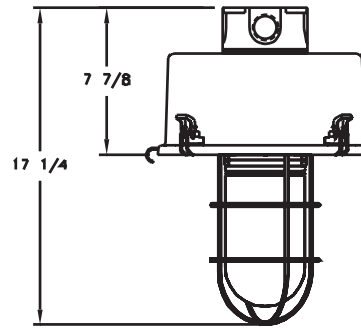
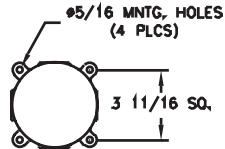
Part No.	Description	Part No.	Description
INX5118	MULTI TAP BALLAST, High Pressure Sodium, 50w	INX7050P1S	MOUNTING, Pendant 1"
INX5116	MULTI TAP BALLAST, High Pressure Sodium, 70w	INX7050P3S	MOUNTING, Pendant ¾"
INX5113	MULTI TAP BALLAST, High Pressure Sodium, 100w	INX7051C2S	MOUNTING, Ceiling 1" 2 Way
INX5110	MULTI TAP BALLAST, High Pressure Sodium, 150w	INX7051C3S	MOUNTING, Ceiling ¾" 2 Way
INX5135	MULTI TAP BALLAST, Metal Halide, 70w	INX7051C4S	MOUNTING, Ceiling ¾" 4 Way
INX5133	MULTI TAP BALLAST, Metal Halide, 100w	INX7051C5S	MOUNTING, Ceiling 1" 4 Way
INX5022	MULTI TAP BALLAST, Metal Halide, 175w	INX7055SS	MOUNTING, Stanchion 1¼"
INX5263	MULTI TAP BALLAST, Pulse Start Metal Halide, 150w	INX7055S1S	MOUNTING, Stanchion 1½"
INX3653	LAMP MEDIUM BASE, High Pressure Sodium, 50w	INX7056B2S	MOUNTING, Wall 1" 2 Way
INX3621	LAMP MEDIUM BASE, High Pressure Sodium, 70w	INX7056B3S	MOUNTING, Wall ¾" 2 Way
INX3632	LAMP MEDIUM BASE, High Pressure Sodium, 100w	INX7056B4S	MOUNTING, Wall ¾" 4 Way
INX3593	LAMP MEDIUM BASE, High Pressure Sodium, 150w	INX7056B5S	MOUNTING, Wall 1" 4 Way
INX3647	LAMP MEDIUM BASE, Metal Halide, 70w	INX4564	REFLECTOR, 30° Angled
INX3659	LAMP MEDIUM BASE, Metal Halide, 100w	INX4565	REFLECTOR, Shallow Dome
INX3620	LAMP MEDIUM BASE, Metal Halide, 175w	INX2150	GLOBE, Fluted
INX3743	LAMP MEDIUM BASE, Pulse Start Metal Halide, 150w	INX2008HR	GLOBE, Clear
INX3687	LAMP Mogul BASE, High Pressure Sodium, 50w	GKT6090	GASKET, Housing
INX3662	LAMP Mogul BASE, High Pressure Sodium, 70w	GKT2013	GASKET, Globe Base
INX3535	LAMP Mogul BASE, High Pressure Sodium, 100w	INX4096	LAMP HOLDER, Medium
INX3651	LAMP Mogul BASE, High Pressure Sodium, 150w	INX4100	LAMP HOLDER, Mogul
INX3683	LAMP Mogul BASE, Metal Halide, 70w	INX1057	GUARD
INX3682	LAMP Mogul BASE, Metal Halide, 100w		
INX3551	LAMP Mogul BASE, Metal Halide, 175w		
INX3744	LAMP Mogul BASE, Pulse Start Metal Halide, 150w		

ProCor Optima 1010/ss

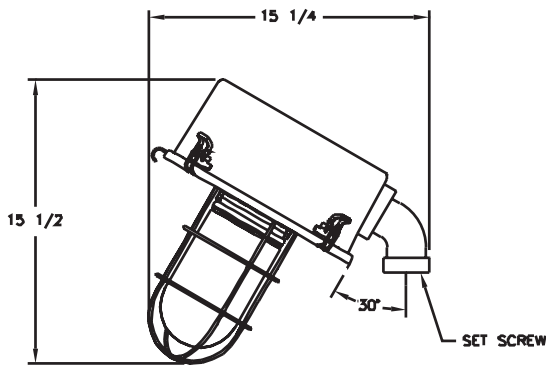
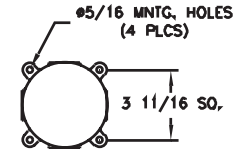
DIMENSIONS



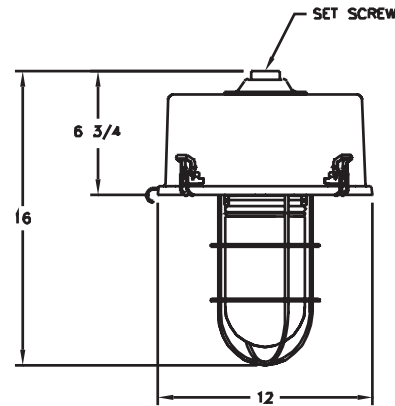
WALL MOUNT



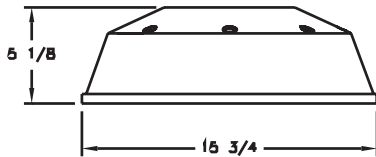
CEILING MOUNT



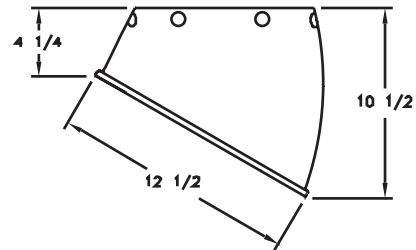
STANCHION MOUNT



PENDANT MOUNT



DOME REFLECTOR



ANGLE REFLECTOR

Dimensions in inches

NOTES

Pro

ProCor Optima 1020/ss



Removable Ballast Tray

FEATURES

- The only stainless steel HID solution available.
- Maintenance friendly removable ballast tray.
- Tool less entry via four stainless steel over the center cam latches.
- Lamp base isolated from ballast compartment for higher ambient suitability.
- Tool less lamp replacement.
- Open bottom stainless steel wire guard allows access to the globe for easy relamping.
- High temperature silicone gaskets provide a watertight seal.
- Ceiling, pendant, stanchion or wall mount types.
- Field replaceable globe and gaskets.
- Choice of angled or shallow dome reflectors.

APPLICATIONS

- Mid bay
- Marine & watertight requirements
- Dusttight requirements
- Waste water treatment plants
- Pulp and paper production
- Aluminum processing facilities
- Salt and potash mines
- Pharmaceutical & additives formulation & processing
- Corrosive environments

APPROVALS

- Type 4X
- Conforms to IP66
- ABS

STANDARDS

- UL 1598 - Luminaires
- CSA - C22.2 No. 250-04

TECHNICAL SPECIFICATIONS

HOUSING AND MOUNTS

Type 316 stainless steel.

GLOBE RETAINING RING

Stainless steel.

LATCHES

Stainless steel, over the center cam.

GLOBE

Internally fluted glass.

REFLECTORS

Optional 30° angled or shallow dome acrylonitrile butadiene styrene (ABS), gloss white.

MOUNTINGS

Ceiling, pendant, stanchion and wall.

ENTRIES

¼" or 1" NPT outlets, stanchion 1¼" or 1½".

GASKETS

One piece silicone.

GUARD

Stainless steel guard optional.

BALLAST

120/208/240/277v 60Hz multi-tap ballast or 480v 60Hz. 50Hz ballasts optional.

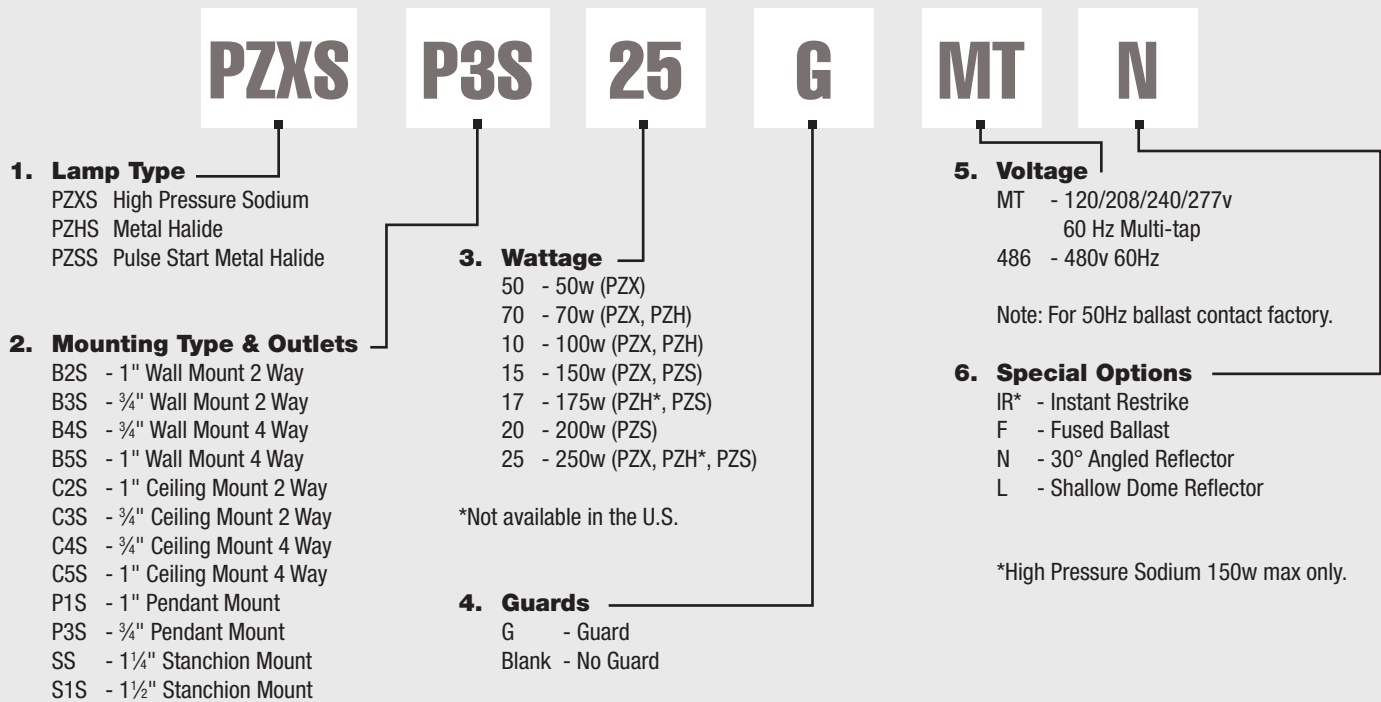
LAMP TYPE

Luminaires are supplied without lamps.

Lamp Type/ Mogul Base	Wattage	ANSI Code	Ambient Temp	Supply Wire Temp
HPS	50	S68	40°C	75°C
HPS	70	S62	40°C	75°C
HPS	100	S54	40°C	75°C
HPS	150	S55	40°C	75°C
HPS	250	S50	40°C	85°C
MH	70	M98	40°C	75°C
MH	100	M90	40°C	75°C
MH	175*	M57	40°C	75°C
MH	250*	M158	40°C	85°C
PSMH	150	M102	40°C	75°C
PSMH	175	M137	40°C	75°C
PSMH	200	M136	40°C	75°C
PSMH	250	M138	40°C	75°C

*Not available in the U.S.

ORDERING REFERENCES

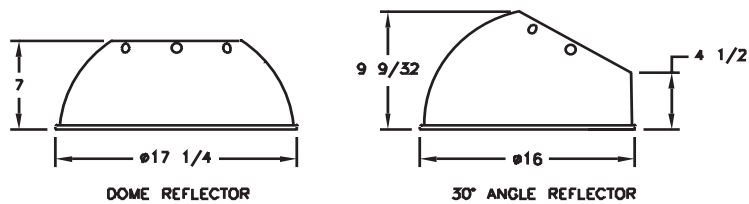
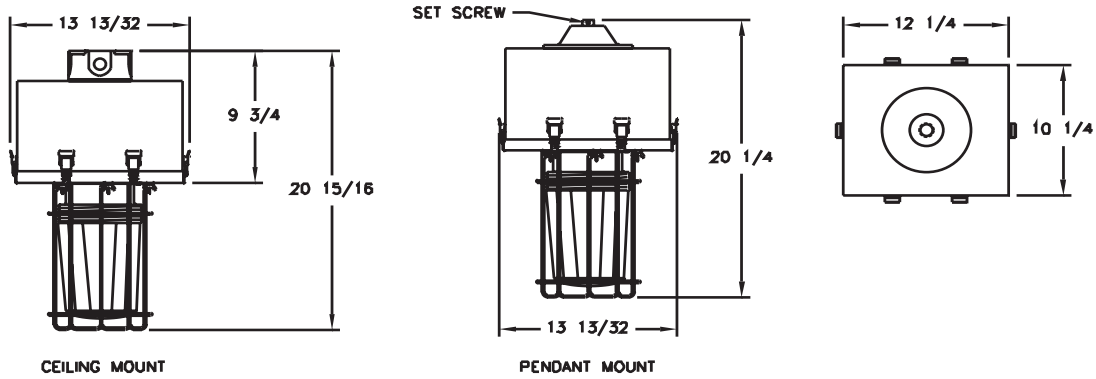
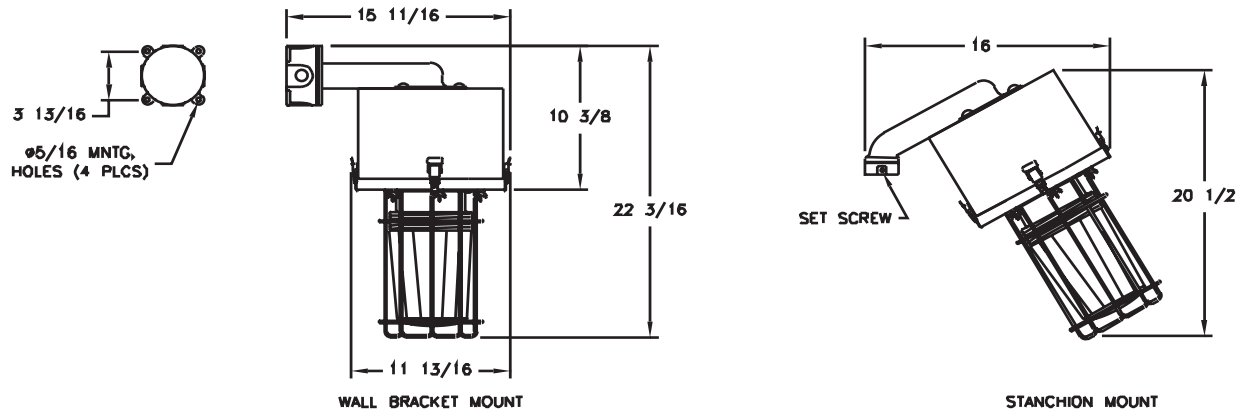


SPARE PARTS

Part No.	Description
INX5118	MULTI TAP BALLAST, High Pressure Sodium, 50w
INX5116	MULTI TAP BALLAST, High Pressure Sodium, 70w
INX5113	MULTI TAP BALLAST, High Pressure Sodium, 100w
INX5110	MULTI TAP BALLAST, High Pressure Sodium, 150w
INX5176	MULTI TAP BALLAST, High Pressure Sodium, 250w
INX5135	MULTI TAP BALLAST, Metal Halide, 70w
INX5133	MULTI TAP BALLAST, Metal Halide, 100w
INX5022	MULTI TAP BALLAST, Metal Halide, 175w
INX5182	MULTI TAP BALLAST, Metal Halide, 250w
INX5263	MULTI TAP BALLAST, Pulse Start Metal Halide, 150w
INX5244	MULTI TAP BALLAST, Pulse Start Metal Halide, 175w
INX5251	MULTI TAP BALLAST, Pulse Start Metal Halide, 200w
INX5245	MULTI TAP BALLAST, Pulse Start Metal Halide, 250w
INX3687	LAMP MOGUL BASE, High Pressure Sodium, 50w
INX3662	LAMP MOGUL BASE, High Pressure Sodium, 70w
INX3535	LAMP MOGUL BASE, High Pressure Sodium, 100w
INX3651	LAMP MOGUL BASE, High Pressure Sodium, 150w
INX3546	LAMP MOGUL BASE, High Pressure Sodium, 250w
INX3683	LAMP MOGUL BASE, Metal Halide, 70w
INX3682	LAMP MOGUL BASE, Metal Halide, 100w
INX3551	LAMP MOGUL BASE, Metal Halide, 175w
INX3541	LAMP MOGUL BASE, Metal Halide, 250w
INX3744	LAMP MOGUL BASE, Pulse Start Metal Halide, 150w
INX3732	LAMP MOGUL BASE, Pulse Start Metal Halide, 175w
INX3738	LAMP MOGUL BASE, Pulse Start Metal Halide, 200w
INX3734	LAMP MOGUL BASE, Pulse Start Metal Halide, 250w
INX7050P1S	MOUNTING, Pendant 1"
INX7050P3S	MOUNTING, Pendant 3/4"
INX7051C2S	MOUNTING, Ceiling 1" 2 Way
INX7051C3S	MOUNTING, Ceiling 3/4" 2 Way
INX7051C4S	MOUNTING, Ceiling 3/4" 4 Way
INX7051C5S	MOUNTING, Ceiling 1" 4 Way
INX7053SS	MOUNTING, Stanchion 1 1/4"
INX7053S1S	MOUNTING, Stanchion 1 1/2"
INX7052B2S	MOUNTING, Wall 1" 2 Way
INX7052B3S	MOUNTING, Wall 3/4" 2 Way
INX7052B4S	MOUNTING, Wall 3/4" 4 Way
INX7052B5S	MOUNTING, Wall 1" 4 Way
INX45670	REFLECTOR, 30° Angled Reflector
INX4568	REFLECTOR, Shallow Dome Reflector
INX2136	GLOBE, Fluted
GKT6089-41	GASKET, Housing
GKT3021-1	GASKET, Globe Base
INX4004	LAMP HOLDER, HPS,
INX4100	LAMP HOLDER, PSMH, MH
INX1059	GUARD

ProCor Optima 1020/ss

DIMENSIONS



Dimensions in inches

NOTES

Pro

ProFlood Goliath 2000/ss



FEATURES

- 70 - 175w HID.
- Compact design for maximum mounting flexibility.
- Field replaceable, thermal shock resistant tempered glass lens.
- High temperature silicone gasket provides a watertight seal.
- Tool less entry via eight positive locking stainless steel latches.
- Captive lens frame with stainless steel door retainers for easy lamp replacement.
- Optional safety cable attachment points.
- Remote ballast available.
- Tested and approved over 180° aiming range, enabling face up through face down mounting.
- Wide NEMA 7 x 6 beam spread.
- Optional vibration resistant lamp holder.
- Choice of mounting arrangements in surface, pole, right angle and crane boom (via a modified housing).

APPLICATIONS

- Marine & watertight requirements
- Dusttight requirements
- Waste water treatment plants
- Pulp and paper production
- Aluminium processing facilities
- Salt and potash mines
- Corrosive environments
- Façade security lighting

APPROVALS

- Type 4X
- Conforms to IP66
- ABS

STANDARDS

- UL 1598 - Luminaires
- CSA - C22.2 No. 250-04

TECHNICAL SPECIFICATIONS

HOUSING

Type 316 stainless steel.

WIND RATING

EPA - 2.24 at vertical.

LENS FRAME

Type 316 stainless steel.

MOUNTING BRACKETS

Type 316 stainless steel trunnion mount. Please see SPARE PARTS for additional selections.

REFLECTORS

Hammertone aluminum.

ENTRIES

One 3/4" NPT.

LENS

Tempered glass.

BALLAST

Standard: Multi-tap 120/208/240/277v 60 Hz.

Optional: 220v, 347v, or 480v 60Hz, and 220v or 240v 50Hz.

Optional: Remote ballast suitable for use up to 50 feet from luminaire.

GASKET

One piece silicone.

GUARD

Optional, type 316 stainless steel.

VISOR

Optional, top or top and side, type 316 stainless steel.

LAMP HOLDER

Mogul base, porcelain.

LAMP TYPES

High Pressure Sodium, Metal Halide* and Pulse Start Metal Halide. Luminaires supplied without lamps.

*Not available in the U.S.



CHS Controls AB
Tel +46 42 38 61 00, Fax +46 42 38 61 29
chs@chscontrols.se www.chscontrols.se

ORDERING REFERENCES

PART NUMBER	LAMP TYPE	WATTAGE	WEIGHT LBS	ANSI LAMP TYPE	AMBIENT TEMP	SUPPLY WIRE TEMP
PHIDLS7IB	High Pressure Sodium	70w	26.0	S62	40°C	110°C
PHIDLS11B	High Pressure Sodium	100w	28.0	S54	40°C	110°C
PHIDLS15IB	High Pressure Sodium	150w	29.0	S55	40°C	110°C
PHIDHS17IB*	Metal Halide	175w	28.0	M57	40°C	125°C
PHIDPS15IB	Pulse Start Metal Halide	150w	29.0	M102	40°C	110°C
PHIDPS17IB	Pulse Start Metal Halide	175w	28.0	M152	40°C	125°C

*Not available in the U.S.

SPECIAL OPTIONS

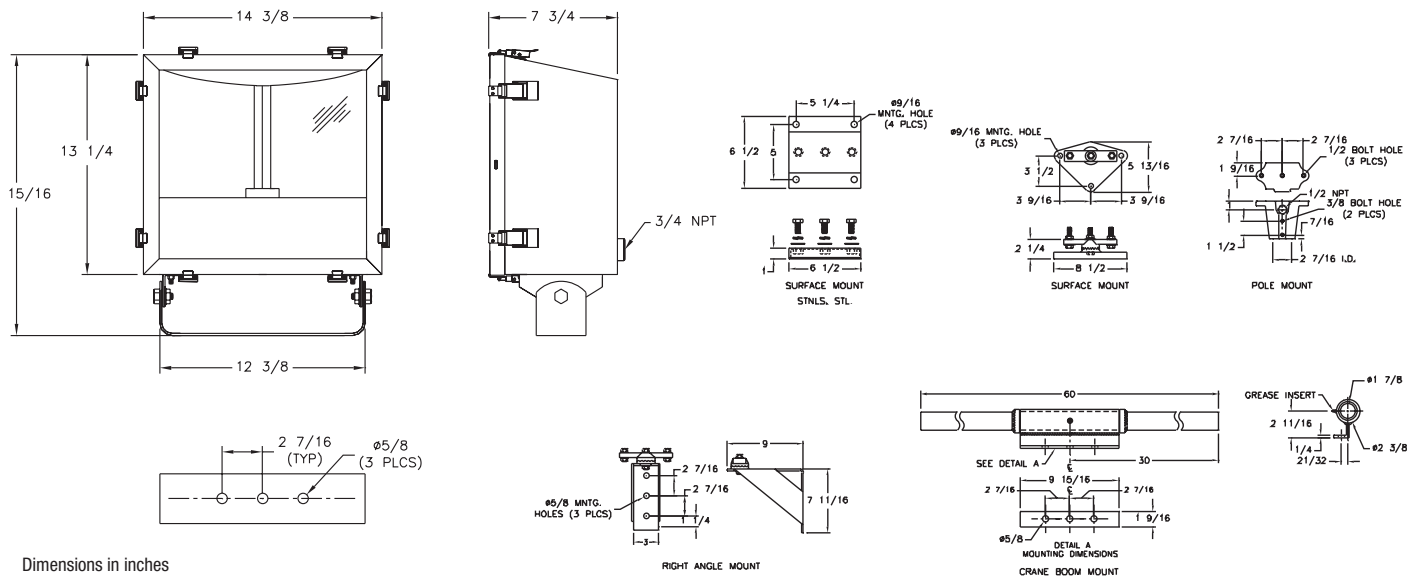
- | | |
|---|--|
| LC - Auxiliary Quartz Light (Light continuator) | -486 - 480v 60Hz |
| F - Fused Ballast | RB* - Remote Ballast |
| IR - Instant Restrike (High Pressure Sodium only) | SP - Vibration Resistant Lamp Holder |
| W* - Dual Safety Cable Attachment Points | G* - Stainless Steel Guard |
| -225 - 220v 50Hz | CB* - Crane Boom Modified Housing (Includes option SP) |
| -226 - 220v 60Hz | TV* - Top Visor |
| -245 - 240v 50Hz | SV* - Top and Side Visor |
| -346 - 347v 60Hz | |

*Cannot be field installed, specify at order placement.

SPARE PARTS

Part No.	Description	Part No.	Description
INX5087	BALLAST, High Pressure Sodium 70W	INX3732	LAMP, Pulse Start Metal Halide 175W
INX5014	BALLAST, High Pressure Sodium 100W	INX4100	LAMP HOLDER
INX5015	BALLAST, High Pressure Sodium 150W	INX2152	LENS
INX5022	BALLAST, Metal Halide 175w	GKT6089-49	GASKET
INX5263	BALLAST, Pulse Start Metal Halide 150w	INX7007SS	MOUNTING, Surface Stainless Steel
INX5244	BALLAST, Pulse Start Metal Halide 175w	INX7006SS	MOUNTING, Pole Stainless Steel
INX3662	LAMP, High Pressure Sodium 70w	INX7091	MOUNTING, Pole Stainless Steel (No cable feed thru)
INX3535	LAMP, High Pressure Sodium 100W	INX7058S	MOUNTING, Right Angled
INX3651	LAMP, High Pressure Sodium 150W	INX7001	MOUNTING, Crane Boom (Requires crane boom housing)
INX3551	LAMP, Metal Halide 175W	SC30H	SAFETY CABLE, 48" Stainless Steel, Snap Hook
INX3744	LAMP, Pulse Start Metal Halide 150W		

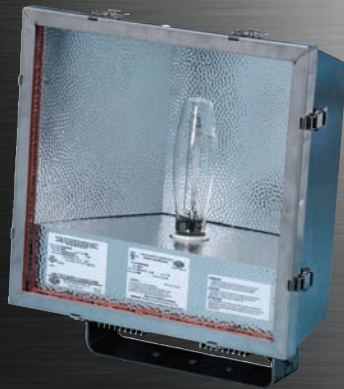
DIMENSIONS



Dimensions in inches

Pro

ProFlood Goliath 2010/ss



FEATURES

- 250 - 400w HID.
- Field replaceable, thermal shock resistant tempered glass lens.
- High temperature silicone gasket provides a watertight seal.
- Tool less entry via eight positive locking stainless steel latches.
- Captive lens frame with a stainless steel door retainers for easy lamp replacement.
- Optional safety cable attachment points.
- Remote ballast available.
- Tested and approved over 180° aiming range, enabling face up through face down mounting.
- Very wide NEMA 7 x 7 beam spread.
- Optional vibration resistant lamp holder.
- Choice of mounting arrangements in surface, pole, right angle and crane boom (via a modified housing).

APPLICATIONS

- Marine & watertight requirements
- Dusttight requirements
- Waste water treatment plants
- Pulp and paper production
- Aluminium processing facilities
- Salt and potash mines
- Corrosive environments
- Façade security lighting

APPROVALS

- Type 4X
- Conforms to IP66
- ABS

STANDARDS

- UL 1598 - Luminaires
- CSA - C22.2 No. 250-04

TECHNICAL SPECIFICATIONS

HOUSING

Type 316 stainless steel.

WIND RATING

EPA - 3.62 at vertical.

LENS FRAME

Type 316 stainless steel.

MOUNTING BRACKETS

Type 316 stainless steel trunnion mount. Please see SPARE PARTS for additional selections.

REFLECTORS

Hammertone aluminum.

ENTRIES

One 3/4" NPT.

LENS

Tempered glass.

BALLAST

Standard: Multi-tap 120/208/240/277v 60 Hz.

Optional: 220v, 347v, or 480v 60Hz, and 220v or 240v 50Hz.

Optional: Remote ballast suitable for use up to 50 feet from luminaire.

GASKET

One piece silicone.

GUARD

Optional, type 316 stainless steel.

VISOR

Optional, top or top and side, type 316 stainless steel.

LAMP HOLDER

Mogul base, porcelain.

LAMP TYPES

High Pressure Sodium, Metal Halide* and Pulse Start Metal Halide. Luminaires supplied without lamps.

*Not available in the U.S.

ORDERING REFERENCES

PART NUMBER	LAMP TYPE	WATTAGE	WEIGHT LBS	ANSI LAMP TYPE	AMBIENT TEMP	SUPPLY WIRE TEMP
PHIDLS25IB	High Pressure Sodium	250w	42.0	S50	25°C	125°C
PHIDLS4IB	High Pressure Sodium	400w	46.0	S51	25°C	125°C
PHIDHS25IB*	Metal Halide	250w	41.0	M58	25°C	125°C
PHIDHS4IB*	Metal Halide	400w	45.0	M59	25°C	125°C
PHIDPS25IB	Pulse Start Metal Halide	250w	42.0	M153	25°C	125°C
PHIDPS4IB	Pulse Start Metal Halide	400w	46.0	MI55	25°C	125°C

*Not available in the U.S.

SPECIAL OPTIONS

- LC - Auxiliary Quartz Light (Light continuator)
- F - Fused Ballast
- W* - Dual Safety Cable Attachment Points
- 225 - 220v 50Hz
- 226 - 220v 60Hz
- 245 - 240v 50Hz
- 346 - 347v 60Hz
- 486 - 480v 60Hz

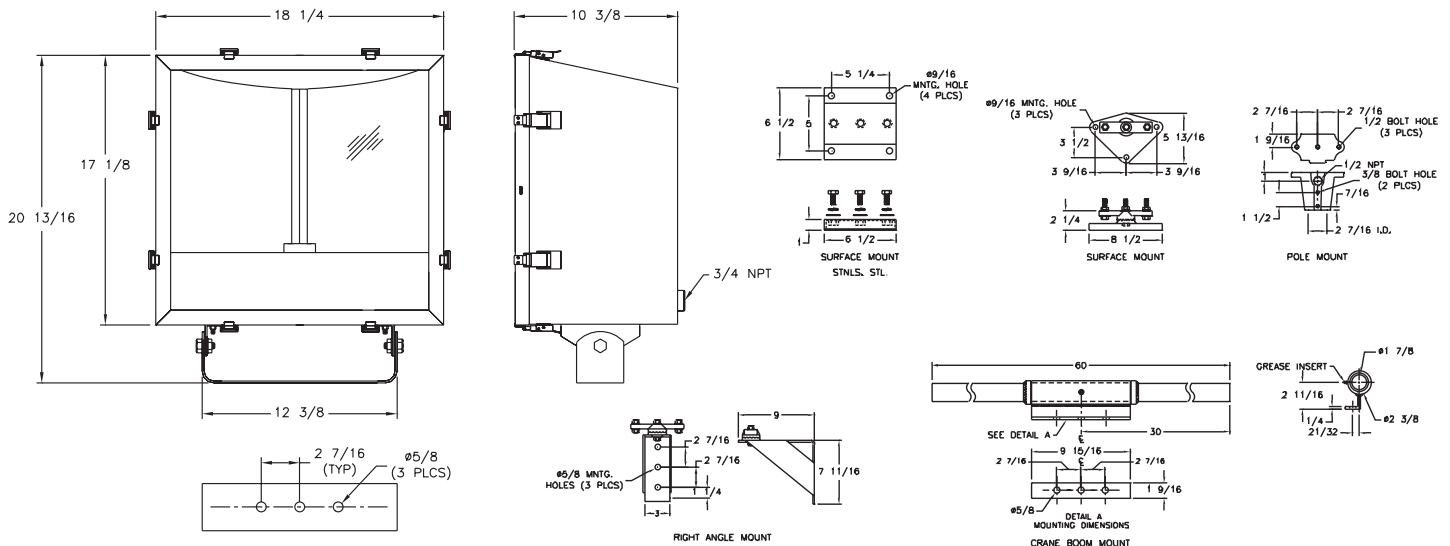
- RB* - Remote Ballast
- SP - Vibration Resistant Lamp Holder
- G* - Stainless Steel Guard
- CB* - Crane Boom Modified Housing (Includes option SP)
- TV* - Top Visor
- SV* - Top and Side Visor

*Cannot be field installed, specify at order placement.

SPARE PARTS

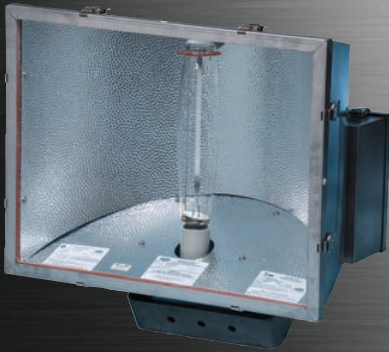
Part No.	Description	Part No.	Description
INX5021	BALLAST, High Pressure Sodium 250w	INX4004	LAMP HOLDER, HPS, PSMH
INX5019	BALLAST, High Pressure Sodium 400W	INX4100	LAMP HOLDER, MH
INX5102	BALLAST, Metal Halide 250w	INX2153	LENS
INX5033	BALLAST, Metal Halide 400w	INX9061	LENS FRAME & GUARD
INX5245	BALLAST, Pulse Start Metal Halide 250W	INX1065	GUARD
INX5246	BALLAST, Pulse Start Metal Halide 400w	GKT6089-65	GASKET
INX3546	LAMP, High Pressure Sodium 250w	INX7007SS	MOUNTING, Surface Stainless Steel
INX3517	LAMP, High Pressure Sodium 400w	INX7006SS	MOUNTING, Pole Stainless Steel
INX3541	LAMP, Metal Halide 250w	INX7091	MOUNTING, Pole Stainless Steel (No cable feed thru)
INX3524	LAMP, Metal Halide 400w	INX7058S	MOUNTING, Right Angled
INX3733	LAMP, Pulse Start Metal Halide 250W	INX7001	MOUNTING, Crane Boom (Requires Crane Boom Housing)
INX3734	LAMP, Pulse Start Metal Halide 400W	SC30H	SAFETY CABLE, 48" Stainless Steel, Snap Hook

DIMENSIONS



Pro

ProFlood Goliath 2020/ss



FEATURES

- 1000w HID.
- Ballast gear housed in separate, attached enclosure. Allows for easy access and cool running operation.
- Field replaceable, thermal shock resistant tempered glass lens.
- High temperature silicone gaskets provide a watertight seal.
- Tool less entry via eight positive locking stainless steel latches.
- Captive lens frame with a stainless steel door retainers for easy lamp replacement.
- Optional safety cable attachment points.
- Remote ballast available.
- Tested and approved over 180° aiming range, enabling face up through face down mounting.
- Very wide NEMA 7 x 7 beam spread.
- Optional vibration resistant lamp holder.
- Choice of mounting arrangements in surface, pole and crane boom (via a modified housing).



CHS Controls AB
Tel +46 42 38 61 00, Fax +46 42 38 61 29
chs@chscontrols.se www.chscontrols.se

APPLICATIONS

- Marine & watertight requirements
- Dusttight requirements
- Waste water treatment plants
- Pulp and paper production
- Aluminium processing facilities
- Salt and potash mines
- Corrosive environments
- Façade security lighting

APPROVALS

- Type 4X
- Conforms to IP66
- ABS

STANDARDS

- UL 1598 - Luminaires
- CSA - C22.2 No. 250-04

TECHNICAL SPECIFICATIONS

HOUSING

Type 316 stainless steel.

WIND RATING

EPA - 5.39 at vertical.

LENS FRAME

Type 316 stainless steel.

MOUNTING BRACKETS

Type 316 stainless steel trunnion mount. Please see SPARE PARTS for additional selections.

REFLECTOR

Hammertone aluminum.

ENTRIES

One 3/4" NPT.

LENS

Tempered glass.

GASKETS

One piece silicone.

GUARD

Optional, type 316 stainless steel.

BALLAST

Standard: Multi-tap 120/208/240/277v 60Hz.

Optional: 220v, 347v, or 480v 60Hz, and 220v or 240v 50Hz.

Optional: Remote ballast suitable for use up to 50 feet from luminaire.

LAMP HOLDER

Mogul base, porcelain.

LAMP TYPES

High Pressure Sodium, Metal Halide and Pulse Start Metal Halide. Luminaires supplied without lamps.

ORDERING REFERENCES

PART NUMBER	LAMP TYPE	WATTAGE	WEIGHT LBS	ANSI LAMP TYPE	AMBIENT TEMP	SUPPLY WIRE TEMP
PHIDLS10IB	High Pressure Sodium	1000W	91.0	S52	40°C	75°C
PHIDHS10IB	Metal Halide	1000W	80.0	M47	40°C	75°C
PHIDPS10IB	Pulse Start Metal Halide	1000W	80.0	M141	40°C	75°C

SPECIAL OPTIONS

- LC - Auxiliary Quartz Light (Light continuator)
- 225 - 220v 50Hz
- 226 - 220v 60Hz
- 245 - 240v 50Hz
- 346 - 347v 60Hz
- 486 - 480v 60Hz

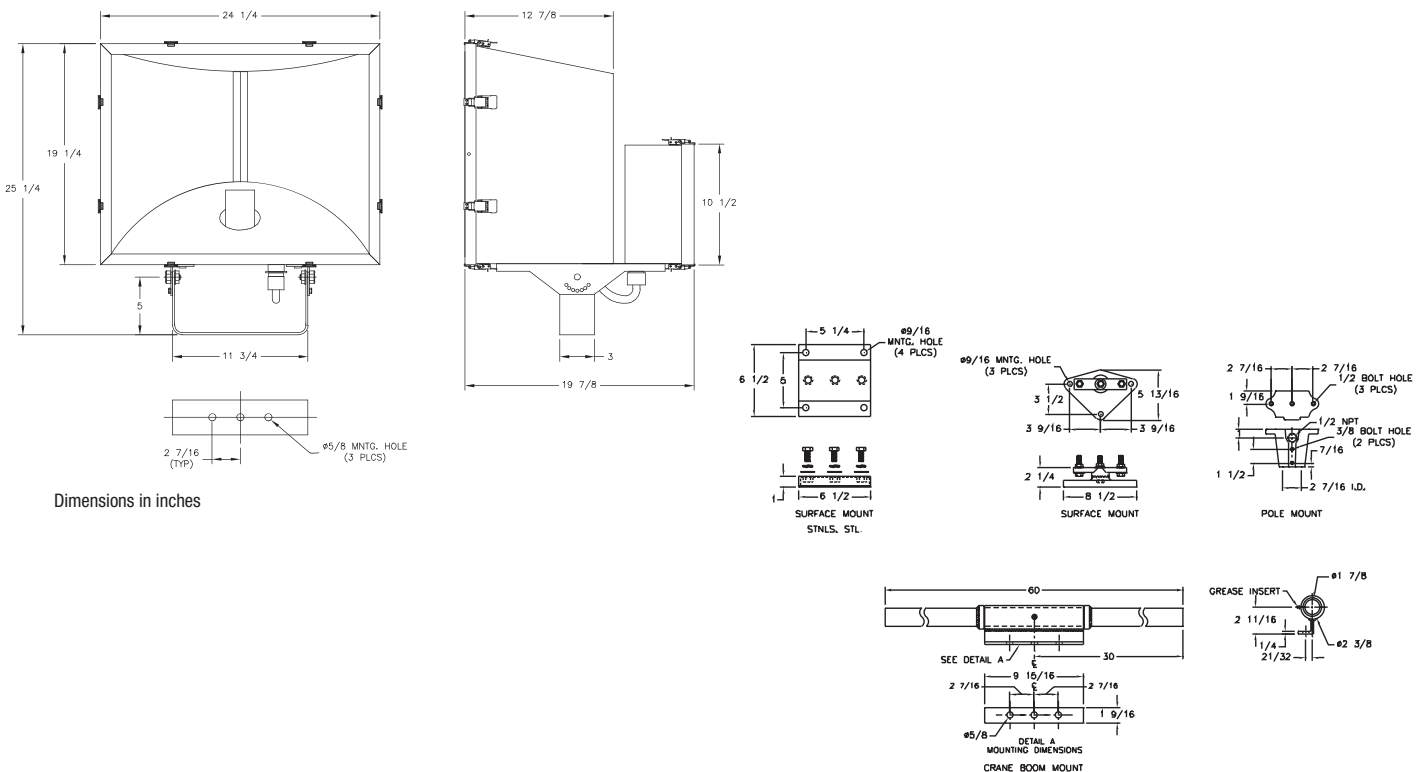
- G* - Stainless Steel Guard
- W* - Dual Safety Cable Attachment Points
- RB* - Remote Ballast
- SP - Vibration Resistant Lamp Holder
- CB* - Crane Boom Modified Housing (Includes option SP)

*Cannot be field installed, specify at order placement.

SPARE PARTS

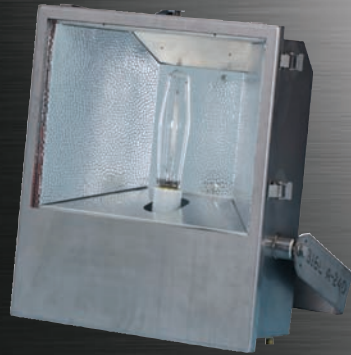
Part No.	Description
INX5027	MULTI TAP BALLAST, High Pressure Sodium
INX5031	MULTI TAP BALLAST, Metal Halide
INX5261	MULTI TAP BALLAST, Pulse Start Metal Halide
INX5017	480V 60Hz BALLAST, High Pressure Sodium
INX5032	480V 60Hz BALLAST, Metal Halide
INX5262	480V 60Hz BALLAST, Pulse Start Metal Halide
INX3530	LAMP, High Pressure Sodium
INX3567	LAMP, Metal Halide
INX3741	LAMP, Pulse Start Metal Halide
INX2156	LENS
GKT6089-81	GASKET, Lens Gasket
GKT6089-49	GASKET, Component Cover Gasket
INX4004	LAMP HOLDER
INX7007SS	MOUNTING, Surface Stainless Steel
INX7006SS	MOUNTING, Pole Stainless Steel
INX7091	MOUNTING, Pole Stainless Steel (No cable feed thru)
INX7001	MOUNTING, Crane Boom (Requires crane boom housing)
SC30H	SAFETY CABLE, 48" Stainless Steel, Snap Hook

DIMENSIONS



Pro

ProFlood Vulcan/ss



FEATURES

- 150 - 400w HID.
- Trunnion attachment points positioned at fixture balance point. Allows for crane boom mounting with optional bracket.
- Choice of mounting arrangements in surface, pole or wall.
- Integral safety cable attachment points.
- Field replaceable thermal shock resistant tempered glass lens.
- High temperature silicone gasket provides a watertight seal.
- Two 3/4" NPT entries for feed-through/looping wiring. M25 entry reducers available.
- Tested and approved over 180° aiming range, enabling face up through face down mounting.
- Tool less entry via eight stainless steel over the center cam latches.
- Captive lens frame with stainless steel door retainers for easy lamp replacement.
- Wide NEMA 6 x 6 beam spread, optional 5 x 5.

APPLICATIONS

- Marine & watertight requirements
- Dusttight requirements
- Waste water treatment plants
- Pulp and paper production
- Aluminium processing facilities
- Salt and potash mines
- Corrosive environments
- Façade security lighting

APPROVALS

- Type 4X
- Certified IP66 & IP67
- ABS

STANDARDS

- UL 1598 - Luminaires
- CSA - C22.2 No. 250-04

TECHNICAL SPECIFICATIONS

HOUSING/LENS FRAME

Type 316 stainless steel.

WIND RATING

EPA 4.38 at vertical.

MOUNTING BRACKET

Type 316 stainless steel trunnion bracket with a natural finish. Please see SPARE PARTS for additional selections.

REFLECTORS

Hammertone aluminum.

ENTRIES

Two 3/4" NPT. Reducer entries for M25 available.

LENS

Tempered glass.

GASKET

One piece silicone.

GUARD

Optional, type 316 stainless steel.

VISOR

Optional, top and side, type 316 stainless steel.

BALLAST

Standard: Multi-tap 120/208/240/277v 60 Hz.

Optional: 220v, 347v, or 480v 60Hz, and 220v or 240v 50Hz.

Optional: Remote ballast suitable for use up to 50 feet from luminaire.

LAMP HOLDER

Mogul base, porcelain.

LAMP TYPES

High Pressure Sodium, Metal Halide* and Pulse Start Metal Halide. Luminaires supplied without lamps.

*Not available in the U.S.

ORDERING REFERENCES

PART NUMBER	LAMP TYPE	WATTAGE	WEIGHT LBS	ANSI LAMP TYPE	AMBIENT TEMP	SUPPLY WIRE TEMP
IMFLS15IB	High Pressure Sodium	150w	47.5	S55	40/55°C	90/110°C
IMFLS25IB	High Pressure Sodium	250w	56.0	S50	40/55°C	90/110°C
IMFLS4IB	High Pressure Sodium	400w	58.5	S51	40/55°C	90/110°C
IMFHS17IB*	Metal Halide	175w	51.5	M57	40/55°C	90/110°C
IMFHS25IB*	Metal Halide	250w	50.5	M58	40/55°C	90/110°C
IMFHS4IB*	Metal Halide	400w	56.5	M59	40/55°C	90/110°C
IMFPS25IB	Pulse Start Metal Halide	250w	50.5	M153	40/55°C	90/110°C
IMFPS4IB	Pulse Start Metal Halide	400w	56.5	M155	40/55°C	90/110°C

*Not available in the U.S.

SPECIAL OPTIONS

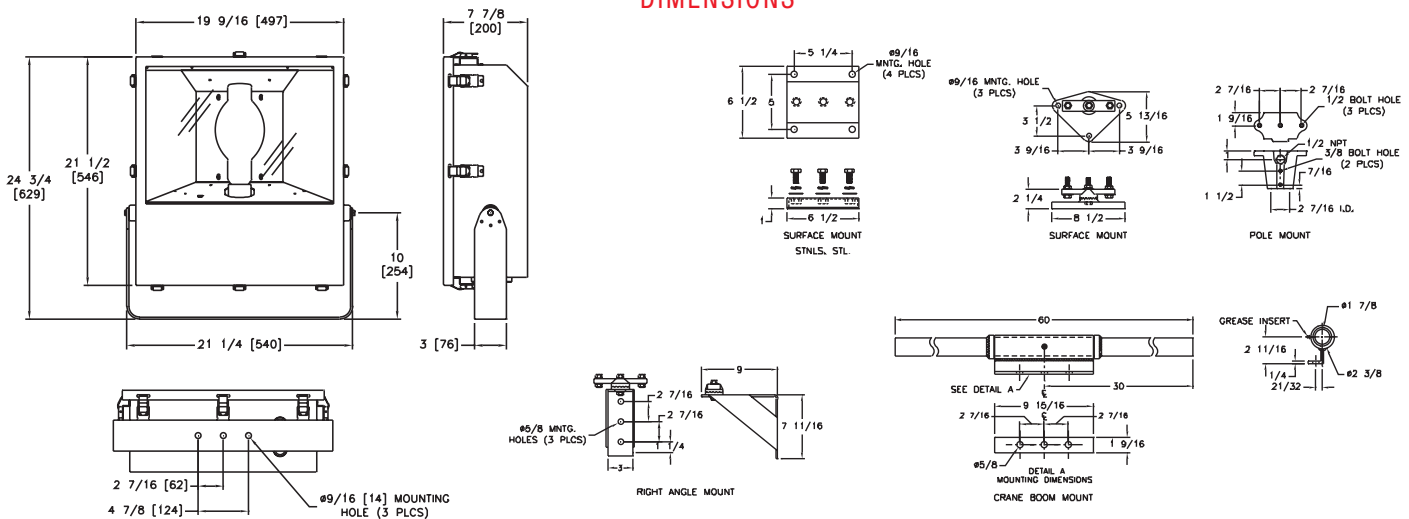
- C - Auxiliary Quartz Light (Light continuator)
- F - Fused Ballast
- I - Instant Restrike (Up to 150w High Pressure Sodium only)
- LI - Instant Restrike Lamp (250w and 400w High Pressure Sodium only)
- 225 - 220v 50Hz
- 226 - 220v 60Hz
- 245 - 240v 50Hz
- 346 - 347v 60Hz
- 486 - 480v 60Hz
- G* - Stainless Steel Guard
- V* - Top and Side Visor
- N - Narrow NEMA 4 x 6 Beam Pattern
- L - Lamp Included

*Can not be field installed, specify at order placement.

SPARE PARTS

Part No.	Description
INX5015	BALLAST, High Pressure Sodium 150w
INX5021	BALLAST, High Pressure Sodium 250w
INX5019	BALLAST, High Pressure Sodium 400w
INX5102	BALLAST, Metal Halide 250w
INX5033	BALLAST, Metal Halide 400w
INX5245	BALLAST, Pulse Start Metal Halide 250w
INX5246	BALLAST, Pulse Start Metal Halide 400w
INX3651	LAMP, High Pressure Sodium 150w
INX3546	LAMP, High Pressure Sodium 250w
INX3517	LAMP, High Pressure Sodium 400w
INX3541	LAMP, Metal Halide 250w
INX3524	LAMP, Metal Halide 400w
INX3733	LAMP, Pulse Start Metal Halide 250w
INX3734	LAMP, Pulse Start Metal Halide 400w
INX4004	LAMP HOLDER
INX2203	LENS
GKT5093	GASKET
INX1064	GUARD
INX6261	VISOR
INX6848	M25 CABLE ENTRY REDUCERS (set of 2)
INX7007SS	MOUNTING, Surface Stainless Steel
INX7006A	MOUNTING, Pole Aluminum
INX7006SS	MOUNTING, Pole Stainless Steel
INX7091	MOUNTING, Pole Stainless Steel (No cable feed-thru)
INX7058S	MOUNTING, Right Angled Wall Stainless Steel
INX7001	MOUNTING, Crane Boom Painted Steel
SC30H	SAFETY CABLE, 48" Stainless Steel, Snap Hook

DIMENSIONS



Dimensions in inches [millimeters]

Pro

ProFlood Achiever QS/ss



FEATURES

- 300 - 1500w quartz halogen.
- Rugged yoke mount floodlight with thermal shock resistant tempered glass lens.
- High temperature silicone gasket provides a watertight seal.
- Field replaceable lens and gasket.
- Protective guard available.



CHS Controls AB
Tel +46 42 38 61 00, Fax +46 42 38 61 29
chs@chscontrols.se www.chscontrols.se

APPLICATIONS

- Marine & watertight requirements
- Dusttight requirements
- Waste water treatment plants
- Pulp and paper production
- Aluminium processing facilities
- Salt and potash mines
- Corrosive environments
- Patrol boats
- Coast Guard rescue vessels

APPROVALS

- Conforms to IP66
- Marine Outside Type Saltwater
- ABS

STANDARDS

- UL 1598A - Luminaires for Marine Vessels

TECHNICAL SPECIFICATIONS

HOUSING

Type 304 stainless steel with an electrostatically applied black polyester powder coat finish.

WIND RATING

- QS1603/1605: EPA - 0.9 at vertical.
- QS1610/1615: EPA - 1.54 at vertical.

GUARD

Optional, type 316 stainless steel.

MOUNTING BRACKETS

Stainless steel, trunnion.

ENTRIES

One watertight cable gland and 6 feet of cable.

GASKET

One piece silicone.

HARDWARE

Four stainless steel positive locking spring loaded latches.

REFLECTOR

Hammertone aluminum.

LENS

Tempered glass.

LAMP HOLDERS

Spring loaded.

VOLTAGE OPERATION

300w, 500w models are rated for 120v only.
1000w, 1500w models are rated for 208v, 220v, or 240v.

LAMP TYPES

T3 quartz halogen.
300w, 500w lamps provided.
1000w, 1500w lamps not provided unless voltage is specified.

ORDERING REFERENCES

PART NUMBER	DESCRIPTION	ANSI LAMP TYPE	WEIGHT LBS
QS1603	300w Quartz Halogen	T-3 RSC	10.0
QS1605	500w Quartz Halogen	T-3 RSC	10.0
QS1610*	1000w Quartz Halogen	T-3 RSC	18.0
QS1615*	1500w Quartz Halogen	T-3 RSC	18.0

*Lamps not provided unless operating voltage is specified when ordering.

SPECIAL OPTIONS

- GRD* Guard
- TV* Top/Side Visor
- 208** 208v (1500w only)
- 220** 220v
- 240** 240v

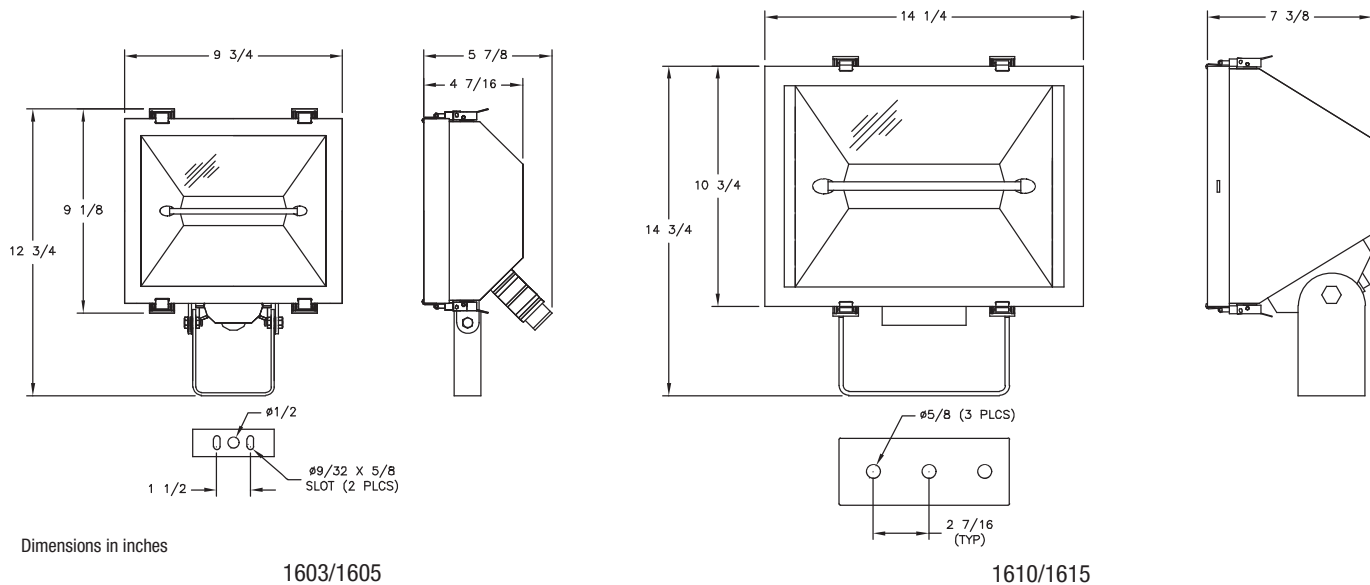
*Can not be field installed, specify at order placement.

**Not available in 300w.

SPARE PARTS

Part No.	Description
INX2149	LENS, 300w-500w
INX2160	LENS, 1000w-1500w
INX4095	LAMP HOLDERS, 300w-500w
INX4084	LAMP HOLDER, 1000w-1500w
GKT6089-30.75	GASKET, 300w-500w
GKT6089-45	GASKET, 1000w-1500w
INX3609	LAMP, 300w Halogen 120v
INX3521	LAMP, 500w Halogen 120v
INX3635	LAMP, 1000w Halogen 220v
INX3645	LAMP, 1000w Halogen 240v
INX3640	LAMP, 1500w Halogen 208v
INX3522	LAMP, 1500w Halogen 220v
INX3646	LAMP, 1500w Halogen 240v
SC30H	SAFETY CABLE, 48" Stainless Steel, Snap Hook

DIMENSIONS





NOTES

STAINLESS STEEL

Hazardous Area Certified Lighting

HazMax Linear Fluorescent	HazCor High Intensity Discharge	HazFlood Flood Lights	Z2Flood Zone 2 Flood Lights
Summit/ss - Pg. 36 	Optima 1100/ss - Pg. 48 (Hazcor LW) 	Vulcan/ss - Pg. 58 (RBF) 	Vulcan/ss - Pg. 66 
Radia/ss - Pg. 40 (FWFN/FWN/AllPro) 	Optima 1110/ss - Pg. 50 (Hazcor) 	Goliath 2100/ss - Pg. 60 (NHID LW) 	
Intrepid/ss - Pg. 44 (FSSD2/SeaPro) 	Optima 1120/ss - Pg. 54 (Hazcor HW) 	Goliath 2110/ss - Pg. 62 (NHID) 	
		Goliath 2120/ss - Pg. 64 (NHID 1000) 	

(Previous Name)

Haz

HazMax Summit/ss



FEATURES

- High output luminaire, up to 20,000 raw lumens.
- Fluorescent system provides energy savings up to 50% when compared to HID.
- Third party certified for operation in high ambient temperatures, up to 55° C (131° F).
- Multi voltage electronic ballast resistant to brownouts or voltage and frequency fluctuations.
- Stainless steel housing, lens frame and hinges.
- One piece neoprene gasket provides a watertight seal.
- Optional high efficiency reflector up to 95% total reflectivity.
- Pendant, feed-through or combination mounting styles.
- USDA compliant materials.
- Meets Canadian Processed Products Regulations C.R.C., c.291.
- Optional, self contained emergency battery backup ballasts.
- Optional long life T5 lamps available upon request (consult factory).

APPLICATIONS

- High, mid & low bay
- Hazardous locations
- Watertight requirements
- Dusttight requirements
- High pressure hose down areas
- Paint & formulation facilities
- Pulp & paper production
- Food & beverage processing facilities
- Grain & sugar milling, processing & storage
- Pharmaceutical & additive formulation & processing
- Pipeline compressor / pumping & storage
- Petrochemical facilities
- Munitions manufacturing and storage
- Waste water treatment plants
- Salt & potash mines
- Freezer and refrigeration
- Corrosive environments

APPROVALS

- Class I Division 2 Groups A, B, C, & D
- Class I Zone 2 Groups IIA, IIB & IIC
- Class II Divisions 1 & 2 Groups F & G
- Class III
- Type 4X
- Conforms to IP66
- ABS
- NSF

STANDARDS

- UL 844 - Hazardous Locations
- UL 924 - Emergency Lighting Equipment
- UL 1598 - Luminaires
- Canadian Processed Products Regulations C.R.C., c.291
- CSA - C.3428 03
- CSA - C.3428 83
- NSF/ANSI 2-2007 Splash Zone

TECHNICAL SPECIFICATIONS

HOUSING/LENS FRAME

Type 304 stainless steel. Optional type 316.

LENS

Acrylic, optional polycarbonate and tempered glass.

REFLECTOR

Type 5052H32 aluminum with an electrostatically applied white polyester powder coat finish. Minimum 90% reflectance. High efficiency option, minimum 95% reflectance.

GASKET

One piece closed cell neoprene sponge.

HINGES

Stainless steel.

LAMP HOLDERS

Spring loaded on T5, T5HO and T8HO models. Locking sockets on T8 Bi-Pin models. Engineered plastics, no urea materials.

MOUNTING

See ORDERING REFERENCES and MOUNTING OPTIONS for details.

ENTRIES

1/2" or 3/4" NPT feed-through, pendant or combination.

LAMP TYPES

See ORDERING REFERENCES. Lamps not provided.

BALLAST

120 to 277 volt 50/60 Hz electronic, optional 347v and 480v.

EMERGENCY BATTERY BACKUP BALLAST

Optional, self contained 90 minute minimum for all lamp types. 120 minutes minimum for F32T8 one lamp. Starting temperature 32°F/0°C.

ORDERING REFERENCES



- 1. Series**
 HPSB - Bolted Door
 HPS - Quick Release Door
- 2. Length (nominal)**
 2 - 2 foot
 4 - 4 foot
- 3. Number of Lamps**
 2 - 2 lamps
 3 - 3 lamps
 4 - 4 lamps
 6 - 6 lamps (Lamp Type 1 only)
- 4. Lamp Types**
 1 - 17/32 - 2 ft F17 or 4 ft F32 - T8 Bi-Pin
 5 - 24/54 - 2 ft F24 or 4 ft F54 - T5HO Mini Bi-Pin
 6 - 14/28 - 2 ft F14 or 4 ft F28 - T5 Mini Bi-Pin
 7 - 44 - 4 ft F48 - T8HO RDC
- 5. Voltage / Frequency**
 7 - 120 to 277 Volt 50/60 Hz
 6 - 347V 60 Hz, consult factory for availability
 9 - 480V 60 Hz, consult factory for availability
- 6. Mounting Style**
 0 - Pendant Mounting (2- 1/2" NPT hubs)
 1 - Feed-thru Mounting (2- 1/2" NPT hubs)
 2 - Pendant / Feed-thru Mounting (4- 1/2" NPT hubs)
 3 - Pendant Mounting (2- 3/4" NPT hubs)
 4 - Feed-thru Mounting (2- 3/4" NPT hubs)
 5 - Pendant / Feed-thru Mounting (4- 3/4" NPT hubs)
 (Adjustable, wall & chain brackets shown in Mounting Kits)
- 7. Special Options**
 EM1 - Emergency Battery Backup Ballast, 1 lamp, 277v max
 L* - Lamps
 LL* - Long Life Lamps (F54T5HO only)
 HT* - High Temperature Lamps (F54T5HO only)
 HR - High Reflectance Reflector
 G - Tempered Glass
 P - Polycarbonate Lens
 Z - Type 316 Stainless Steel

* Lamps are not included unless option "L", "LL" or "HT" is selected.

Notes:

- 1. Consult factory for options not listed.

SPARE PARTS

Part No.	Description
FX5350	BALLAST 120-277V AC 50/60HZ, 1 x 14, F14T5
FX5350	BALLAST 120-277V AC 50/60HZ, 1 x 28, F28T5
FX5307	BALLAST 120-277V AC 50/60HZ, 1 x 24, F24T5HO
FX5305	BALLAST 120-277V AC 50/60HZ, 1 x 54, F54T5HO
FX5174	BALLAST 120-277V AC 50/60HZ, 1 x 17, F17T8
FX5221	BALLAST 120-277V AC 50/60HZ, 1 x 32, F32T8
FX5349	BALLAST 120-277V AC 50/60HZ, 1 x 44, F48T8HO
FX5350	BALLAST 120-277V AC 50/60HZ, 2 x 14, F14T5
FX5350	BALLAST 120-277V AC 50/60HZ, 2 x 28, F28T5
FX5307	BALLAST 120-277V AC 50/60HZ, 2 x 24, F24T5HO
FX5305	BALLAST 120-277V AC 50/60HZ, 2 x 54, F54T5HO
FX5340	BALLAST 120-277V AC 50/60HZ, 2 x 17, F17T8
FX5340	BALLAST 120-277V AC 50/60HZ, 2 x 32, F32T8
FX5349	BALLAST 120-277V AC 50/60HZ, 2 x 44, F48T8HO
FX5128HDU	EMERGENCY BATTERY BACKUP BALLAST, EM1, 120-277v, for T8 & T8HO models
FX5346HDU	EMERGENCY BATTERY BACKUP BALLAST, EM1, 120-277v, T5 & T5HO models
FX3573	LAMP, 14w, F14T5
FX3574	LAMP, 28w, F28T5
FX3568	LAMP, 24w, F24T5HO
FX3567	LAMP, 54w, F54T5HO
FX3577	LAMP, 54w Long Life F54T5HO
FX3567HT	LAMP, 54w, F54T5HO
FX3528	LAMP, 17w, F17T8
FX3527	LAMP, 32w, F32T8
FX3565	LAMP, 44w, F48T8HO
FX2242	LENS, 4 ft. models
FX2241	LENS, 2 ft. models
GKT6124-115	GASKET, 4ft. models
GKT6124-69	GASKET, 2ft. models
FX8116SS	HINGES, 4 ft. models
FX4064F	LAMP HOLDER, stationary for T5 models
FX4064P	LAMP HOLDER, spring loaded for T5 models
FX4004	LAMP HOLDER, stationary for T8HO models
FX4005	LAMP HOLDER, spring loaded for T8HO models
FX4048	LAMP HOLDER, stationary for T8 models

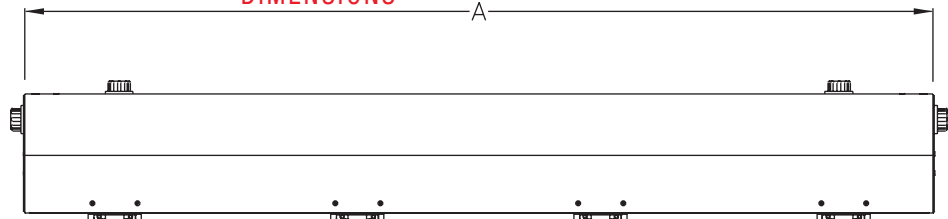
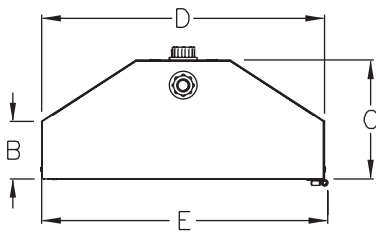
HazMax Summit/ss

TEMPERATURE CODES & APPROVALS

Lamp Wattage	Ballast/Socket Type	ANSI Lamp Code	Class I T-Code	Class I Division 2	Class II Divisions 1 & 2	Class III	Class II & III T-Code	Starting Temp	Maximum Ambient*	Supply Wire
17	T8 Bi-Pin G13	F17-T8	T5	A,B,C & D	F & G	Yes	T3C	0°F/-18°C	55°C	90°C
32	T8 Bi-Pin G13	F32-T8	T5	A,B,C & D	F & G	Yes	T3C	-20°F / 29°C	55°C	90°C
24/54	T5HO Mini Bi-Pin G5	F24/F54-T5HO	T3C	A,B,C & D	F & G	Yes	T3C	-20°F/-29°C	40°C	90°C
14/28	T5 Mini Bi-Pin G5	F14/F28-T5	T3C	A,B,C & D	F & G	Yes	T3C	0°F/-18°C	55°C	90°C
44	T8HO RDC R17d	F48-T8HO	T5	A,B,C & D	F & G	Yes	T3C	-20°F/-29°C	55°C	90°C

* Consult factory for optional higher ambient models.

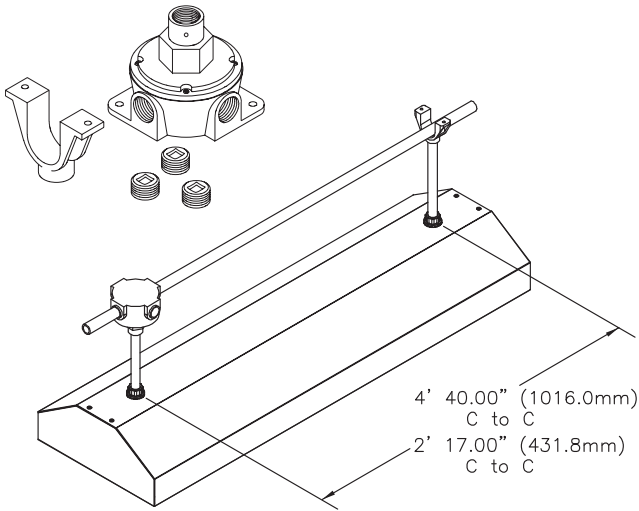
DIMENSIONS



Nominal Length	Dimensions in Inches / Centimeters					Carton L x W x D inches	Nominal Weight	
	A	B	C	D	E		Lbs	Kg
2 Foot	26.59 / 67.5	3.2 / 8.1	6.59 / 16.7	15.72 / 39.9	15.92 / 40.4	28¾ x 16¾ x 7½	30	13.61
4 Foot	50.59 / 128.5	3.2 / 8.1	6.59 / 16.7	15.72 / 39.9	15.92 / 40.4	53 x 16¾ x 7½	54	24.50

Add 1 lb for 3 or 4 lamps.

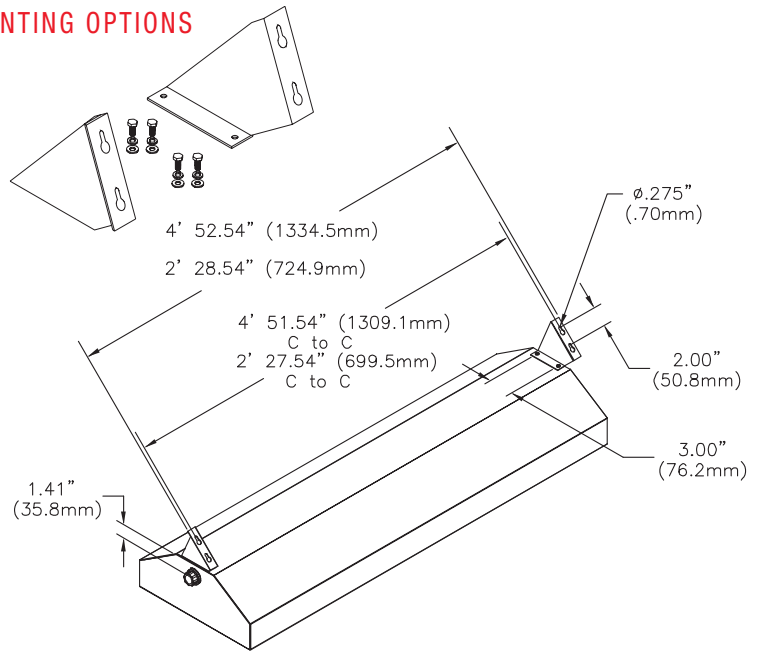
MOUNTING OPTIONS



HP1095MTK

Pendant kit.

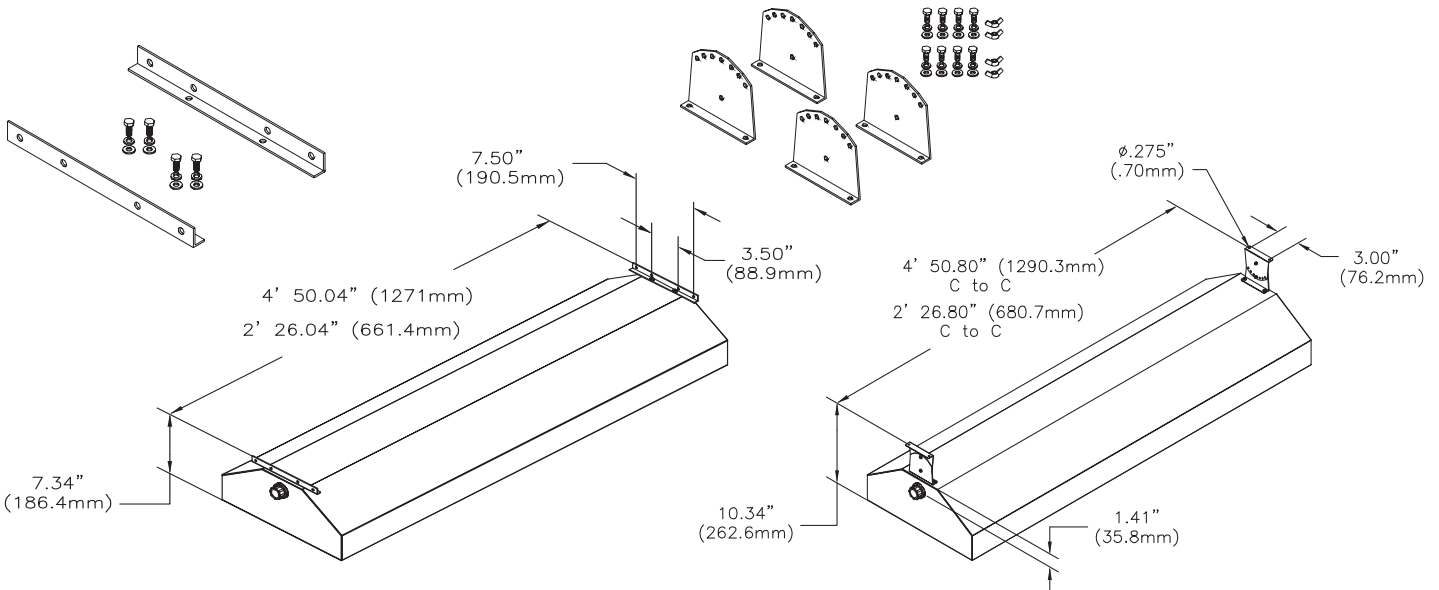
Consists of 1 saddle strap and one universal junction box & cover (3/4" NPT hubs).



HP1099MTK

Fixed wall mounting kit.

Consisting of 2 angled stainless steel wall brackets & hardware to mount brackets to fixture.



HP1093MTK

Chain/cable mounting kit.

Consisting of 2 stainless steel chain brackets & hardware to mount brackets to fixture.

HP1097MTK

Adjustable mounting kit.

Consisting of 2 pairs of stainless steel brackets & hardware to mount brackets to fixture.

Haz

HazMax Radia/ss



FEATURES

- Fluorescent system provides energy savings up to 50% when compared to HID.
- Multi voltage electronic ballast resistant to brownouts or voltage and frequency fluctuations.
- Stainless steel housing, lens frame, mounting brackets and latches.
- Flat or drop style lens versions with wide beam lumen dispersions of 140 to over 180 degrees.
- Lens frame hinged on side for easy lamp replacement.
- Adjustable mounting brackets allow 110° range of aiming positions.
- Shoc♦Loc™ Bi-Pin spring loaded lamp holders for T5, T8 and T12 lamp types, provide superior resistance to shock and vibration.
- Approved for Class II Group E for atmospheres containing combustible metal dust.
- Field replaceable gasket, lens frame and latches.
- Standard wall/ceiling mount style can be rotated on longitudinal axis for optimum light positioning.
- Neoprene gasket resists petroleum.
- Optional self contained emergency battery backup ballasts.
- Optional certified test switch on emergency models.
- Optional long life T5 lamps available upon request (consult factory).

APPLICATIONS

- Hazardous locations
- Marine & watertight requirements
- Dusttight requirements
- Waste water treatment plants
- Pulp & paper production
- Grain & sugar milling processing & storage
- Pharmaceutical & additives formulation & processing
- Coal processing & storage
- Oil and gas exploration and production
- Munitions manufacturing & storage
- Salt and potash mines
- Petrochemical facilities
- Corrosive environments

APPROVALS

- Class I Division 2 Groups A, B, C & D
- Class I Zone 2 Groups IIA, IIB, IIB+ H2 & IIC
- Class II Division I Groups E, F and G
- Class III
- Type 4X
- IP66
- Marine Outside Type Saltwater
- ABS

STANDARDS

- UL 844 - Hazardous Locations
- UL 924 - Emergency Lighting Equipment
- UL 1598A - Luminaires for Marine Vessels
- CSA - Class 3428 03
- CSA - Class 3428 83

TECHNICAL SPECIFICATIONS

HOUSING

.062 inch thick, type 304 stainless steel, optional type 316.

LENS

0.125 inch thick, polycarbonate flat lens. Optional tempered glass flat lens or DR acrylic drop lens.

REFLECTOR

Type 5052H32 aluminum with an electrostatically applied white polyester powder coat finish. Minimum 90% reflectance.

GASKET

One piece neoprene.

MOUNTING

Adjustable stainless steel surface mount brackets.

LATCHES

Stainless steel positive-locking spring loaded.

LENS FRAME

Type 304 stainless steel, hinged on side. Optional type 316.

LAMP HOLDERS

Spring loaded on one end for linear lamp types.

ENTRIES

¼" NPT feed-through outlets, one plugged.

LAMP TYPES

See ORDERING REFERENCES. Lamps not provided.

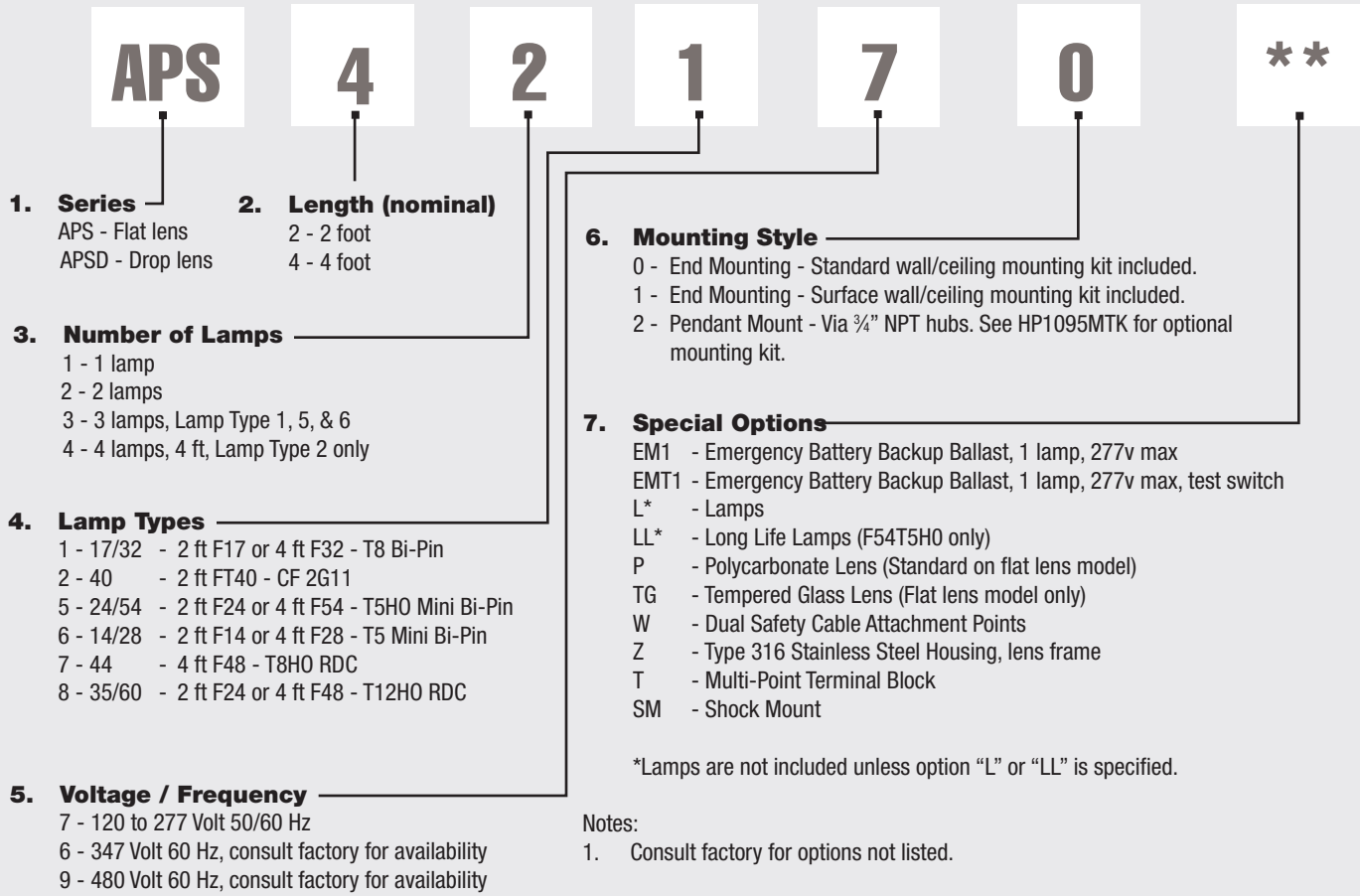
BALLAST

120 to 277 volt 50/60 Hz electronic, optional 347v and 480v.

EMERGENCY BATTERY BACKUP BALLAST

Optional, self contained 90 minute minimum for all lamp types. 120 minutes minimum for F32T8 one lamp. Starting temperature 32°F/0°C.

ORDERING REFERENCES



COMMONLY ORDERED LUMAIRES & CROSS REFERENCE

Part No.	Description	Legacy P/N	Weight	
			Lbs	Kg
APS22270L	Stainless steel 2' fixture, flat lens, 2 x FT40 120v 60 Hz	FWFC240S	20.5	9.3
APS42870L	Stainless steel 4' fixture, flat lens 2 x F48 120-277v 50/60 Hz	FWFN260S	37.0	16.8
APSD42870L	Stainless steel fixture, drop lens, 2 x F48 120-277v 50/60 Hz	FWN260S	37.0	16.8

TEMPERATURE CODES & APPROVALS

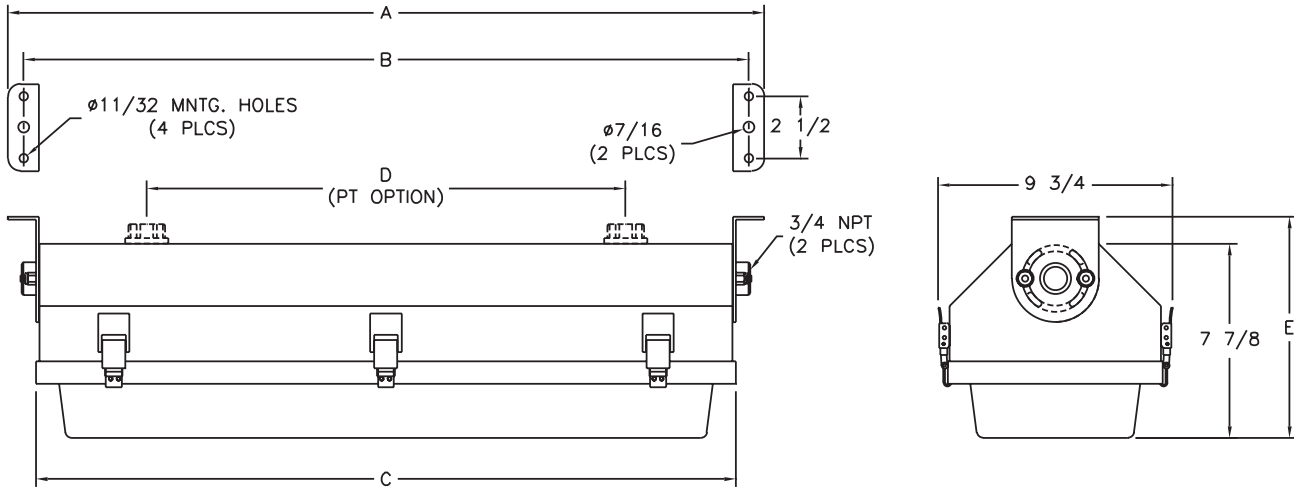
Nominal Lamp Wattage	Ballast/Socket Type	ANSI Lamp Code	Class I T-Code	Class I Division 2	Class II Division 1	Class III	Class II & III T-Code	Starting Temp	Maximum Ambient*	Supply Wire
17	T8 Bi-Pin G13	F17-T8	T4	A,B,C & D	E, F & G	Yes	T3C	0°F / -18°C	55°C	90°C
32	T8 Bi-Pin G13	F32-T8	T4	A,B,C & D	E, F & G	Yes	T3C	-20°F / -29°C	55°C	90°C
40	4 Pin 2G11	FT40-CF	T4	A,B,C & D	E, F & G	Yes	T4A	0°F / -18°C	40°C	90°C
24/54	T5HO Mini Bi-Pin G5	F24/F54-T5HO	T4	A,B,C & D	E, F & G	Yes	T3C	-20°F / -29°C	55°C	90°C
14/28	T5 Mini Bi-Pin G5	F14/F28-T5	T4	A,B,C & D	E, F & G	Yes	T3C	0°F / -18°C	55°C	90°C
44	T8HO RDC R17d	F48-T8HO	T3C	A,B,C & D	E, F & G	Yes	T3C	-20°F / -29°C	40°C	90°C
35/60	T12HO RDC R17d	F24/F48-T12HO	T3C	A,B,C & D	E, F & G	Yes	T3C	-20°F / -29°C	40°C	90°C

HazMax Radia/ss

SPARE PARTS

Part No.	Description		Description		Description
FX5350	BALLAST 120-277V AC 50/60HZ, 1 x 14, F14T5	FX5340	BALLAST 120-277V AC 50/60HZ, 2 x 17, F17T8	FX3533	LAMP, 40w, FT40 2G11
FX5350	BALLAST 120-277V AC 50/60HZ, 1 x 28, F28T5	FX5340	BALLAST 120-277V AC 50/60HZ, 2 x 32, F32T8	FX2134	FLAT LENS, Polycarbonate, 2ft. models
FX5307	BALLAST 120-277V AC 50/60HZ, 1 x 24, F24T5HO	FX5349	BALLAST 120-277V AC 50/60HZ, 2 x 44, F48T8HO	FX2135	FLAT LENS, Polycarbonate, 4ft. models
FX5305	BALLAST 120-277V AC 50/60HZ, 1 x 54, F54T5HO	FX5334	BALLAST 120-277V AC 50/60HZ, 2 x 35, F24T12HO	FX2136	DROP LENS, DR Acrylic, 2ft. models
FX5174	BALLAST 120-277V AC 50/60HZ, 1 x 17, F17T8	FX5334	BALLAST 120-277V AC 50/60HZ, 2 x 60, F48T12HO	FX2137	DROP LENS, DR Acrylic, 4ft. models
FX5221	BALLAST 120-277V AC 50/60HZ, 1 x 32, F32T8	FX5272	BALLAST 120-277V AC 50/60HZ, 2 x 40, FT40 2G11	GKT6088-69.5	GASKET, 2ft. models
FX5349	BALLAST 120-277V AC 50/60HZ, 1 x 44, F48T8HO	FX5128HDU	EMERGENCY BATTERY BACKUP BALLAST, EM1/EMT1, 120-277v, CF, T8, T8HO, & T12HO	GKT6088-117.5	GASKET, 4ft. models
FX5334	BALLAST 120-277V AC 50/60HZ, 1 x 35, F24T12HO	FX5346HDU	EMERGENCY BATTERY BACKUP BALLAST, EM1/EMT1, 120 or 277v, T5 & T5HO	FX7031S	MOUNT, Wall
FX5334	BALLAST 120-277V AC 50/60HZ, 1 x 60, F48T12HO	FX3573	LAMP, 14w, F14T5	FX7027S	MOUNT, Standard
N/A	BALLAST 120-277V AC 50/60HZ, N/A, FT40 2G11	FX3574	LAMP, 28w, F28T5	FX7022S	MOUNT, Surface
FX5350	BALLAST 120-277V AC 50/60HZ, 2 x 14, F14T5	FX3568	LAMP, 24w, F24T5HO	FX7023	MOUNT, Pipe Mount Kit
FX5350	BALLAST 120-277V AC 50/60HZ, 2 x 28, F28T5	FX3567	LAMP, 54w, F54T5HO	FX7025	MOUNT, Chain Mount Kit
FX5307	BALLAST 120-277V AC 50/60HZ, 2 x 24, F24T5HO	FX3577	LAMP, 54w, Long Life F54T5HO	FX7004A	MOUNT, Shock Mount
FX5305	BALLAST 120-277V AC 50/60HZ, 2 X 54, F54T5HO	FX3528	LAMP, 17w, F17T8	FX7028	BEAM CLAMP KIT, Beam clamps (2), Safety Cable & Cable Gland
		FX3527	LAMP, 32w, F32T8	FX4004	LAMP HOLDER, Stationary, 35w, 44w, 60w
		FX3565	LAMP, 44w, F48T8HO	FX4005	LAMP HOLDER, Spring, 35w, 44w, 60w
		FX3507	LAMP, 35w, F24T12HO	FX4008	LAMP HOLDER, Stationary, 14w, 17w, 24w, 28w, 32w, 54w
		FX3505	LAMP, 60w, F48T12HO	FX4009	LAMP HOLDER, Spring, 14w, 17w, 24w, 28w, 32w, 54w
				FX4043	LAMP HOLDER, Stationary, 40w CF
				N/A	LAMP HOLDER, Spring, 40w CF

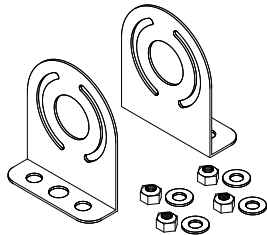
DIMENSIONS



Nominal Length	Dimensions in Inches / Centimeters						Carton W x D x L Inches		Nominal Weight	
	A	B	C	D	E1	E2	E1	E2	Lbs	Kg
2 Foot	31.5 / 80.01	30.25 / 76.84	29.25 / 74.30	25.88 / 65.72	9.0 / 22.86	6.0 / 15.24	10 x 6 x 31 $\frac{3}{4}$	10 x 8 x 32	21	9.5
4 Foot	55.5 / 140.97	54.25 / 137.80	53.25 / 135.26	36.0 / 91.44	9.0 / 22.86	6.0 / 15.24	10 x 6 x 56 $\frac{3}{4}$	10 x 8 x 56	34	15.4

Dimension "E1" is for drop style lens. Dimension "E2" is for flat style lens.
 Add 1 lb for 3 or 4 lamp.

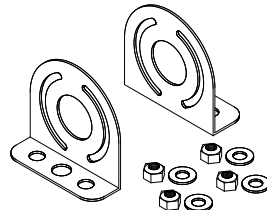
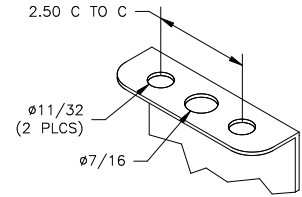
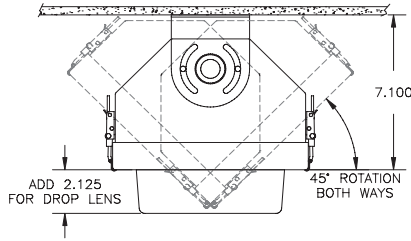
MOUNTING OPTIONS



FX7027S

Standard Wall/Ceiling Mounting Kit
 2 aluminum brackets and mounting hardware.
 Adjustable swivel mount.

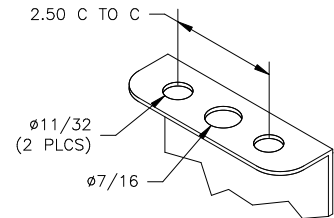
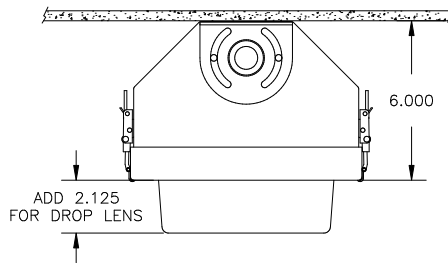
Standard Wall/Ceiling Mounting Kit



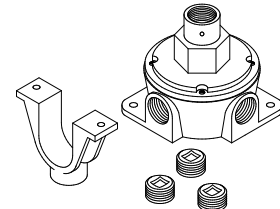
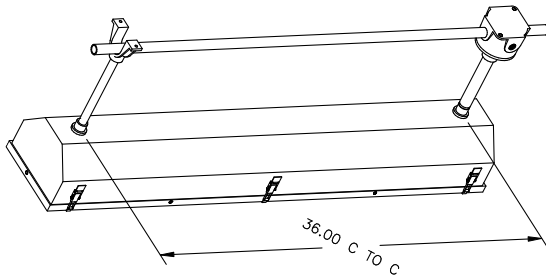
FX7022S

Surface Wall/Ceiling Mounting Kit
 2 aluminum brackets and mounting hardware.
 Flush mount.

Surface Wall/Ceiling Mounting Kit



Pendant Mount Kit



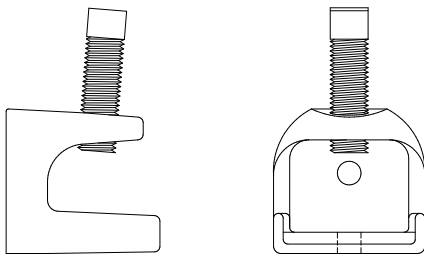
HP1095MTK

Pendant Kit
 1 saddle strap and one universal aluminum junction box & cover (3/4" NPT hubs).

Beam Clamp Kit

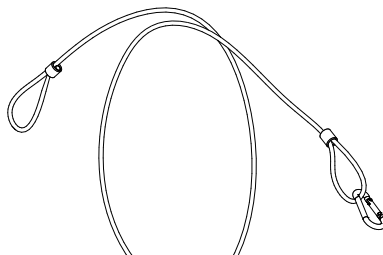
FX7028

Includes Beam Clamps (2), Safety Cable & Cable Gland



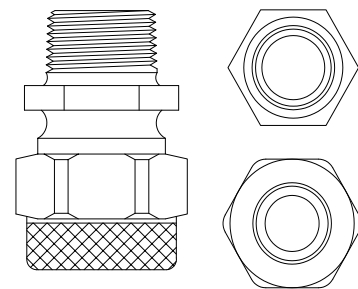
BC2K

2 Beam Clamp Kit.
 For use with surface mount.



SC30H

48" stainless steel Safety Cable with snap hook.



CX1502

Cable Gland 3/4" aluminum,
 cord grip range .438 - .562.

Haz

HazMax Intrepid/ss



FEATURES

- Fluorescent system provides energy savings up to 50% when compared to HID.
- Multi voltage electronic ballast resistant to brownouts or voltage and frequency fluctuations.
- Stainless steel housing, latches, mounting feet and lens retainers.
- Impact resistant UV stabilized polycarbonate lens.
- Shoc♦Loc™ Bi-Pin spring loaded lamp holders for T5, T8 and T12 lamp types, provide superior resistance to shock and vibration.
- USDA compliant materials.
- Meets Canadian Processed Products Regulations C.R.C. c291.
- Neoprene gasket resists petroleum.
- Three lamp models are provided with (1) single-lamp ballast and (1) two-lamp ballast for independent switching.
- Optional self contained emergency battery backup ballasts.
- Optional certified test switch on emergency models.
- Optional long life T5 lamps available upon request (consult factory).

APPLICATIONS

- Hazardous locations
- Marine and watertight requirements
- Dusttight requirements
- Oil and gas exploration and production
- Petrochemical facilities
- Waste water treatment plants
- Food & beverage processing facilities
- Corrosive environments

APPROVALS

- Class I Division 2 Groups A, B, C, & D
- Class I Zone 2 Groups IIA, IIB & IIC
- Class II Division 2 Groups F & G
- Class III Type 4 Enclosure
- Type 4X
- IP66
- Marine Outside Type Saltwater
- ABS
- NSF

STANDARDS

- UL 844 - Hazardous Locations
- UL 924 - Emergency Lighting Equipment
- UL 1598A - Luminaires for Marine Vessels
- EN 60529 - Ingress Protection
- Canadian Processed Products Regulations C.R.C. c291
- CSA - Class 3428 03
- CSA - Class 3428 83
- NSF/ANSI 2-2007 Food Contact

TECHNICAL SPECIFICATIONS

HOUSING

.062 inch thick, type 304 stainless steel, optional type 316.

LENS

0.090 inch thick, matte polycarbonate. Optional clear polycarbonate.

REFLECTOR

Type 5052H32 aluminum with an electrostatically applied white polyester powder coat finish. Minimum 90% reflectance.

GASKET

One piece neoprene.

MOUNTING

Stainless steel vibration dampening feet for ceiling, wall or chain mount. Optional pendant mount version. Kits available for uni-strut/rod and pole mount.

LATCHES

Stainless steel over the center cam.

LAMP HOLDERS

Spring loaded on one end for linear lamp types.

ENTRIES

Two 3/4" NPT hubs, one end plugged.

LAMP TYPES

See ORDERING REFERENCES. Lamps not provided.

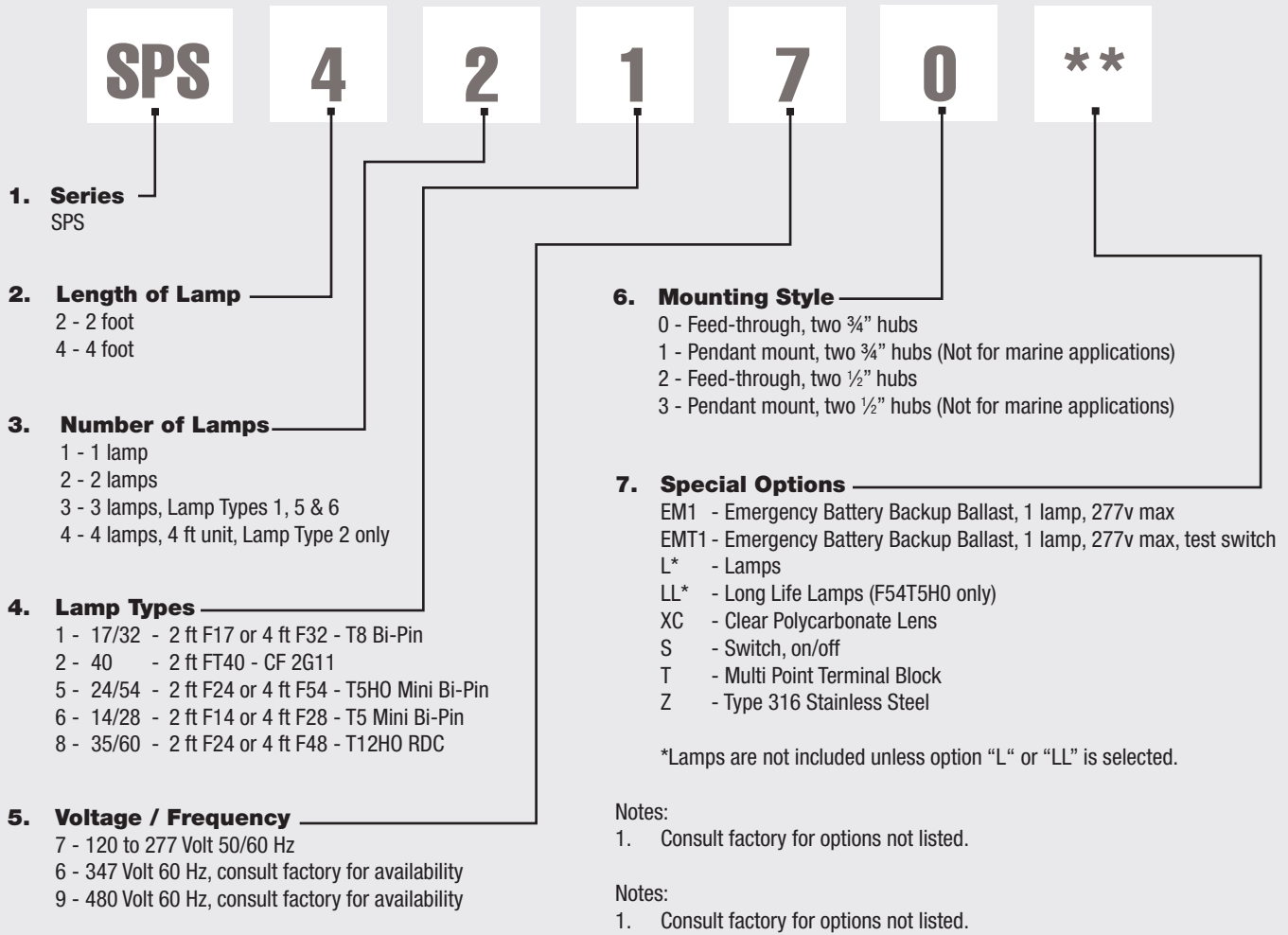
BALLAST

120 to 277 volt 50/60 Hz electronic, optional 347V and 480V.

EMERGENCY BATTERY BACKUP BALLAST

Optional, self contained 90 minute minimum for all lamp types. 120 minutes minimum for F32T8 one lamp. Starting temperature 32°F/0°C.

ORDERING REFERENCES



COMMONLY ORDERED LUMINAIRES & CROSS REFERENCE

Part Number	Description	Legacy P/N	Weight	
			Lbs	Kg
SPS22170	Stainless Steel 2 foot fixture 2 x F17 120-277v 50/60 Hz	FSS217D2	12.0	5.4
SPS42170	Stainless Steel 4 foot fixture 2 x F32 120-277v 50/60 Hz	FSS232D2	19.5	8.8
SPS42570	Stainless Steel 4 foot fixture 2 x F54 120-277v 50/60 Hz	FSS254D2	19.5	8.8
SPS42870	Stainless Steel 4 foot fixture 2 x F48 120-277v 50/60 Hz	FSS260D2	22.0	9.9
FX2175	Matte Polycarbonate Lens with Gasket 2 ft	FX2175	1.5	.68
FX2177	Matte Polycarbonate Lens with Gasket 4 ft	FX2177	2.7	1.22
FX2163	Clear Bottom Polycarbonate Lens with Gasket 2 ft	FX2163	1.5	.68
FX2165	Clear Bottom Polycarbonate Lens with Gasket 4 ft	FX2165	2.7	1.22
FX8014	Latches	FX8014	.1	.05

HazMax Intrepid/ss

SPARE PARTS

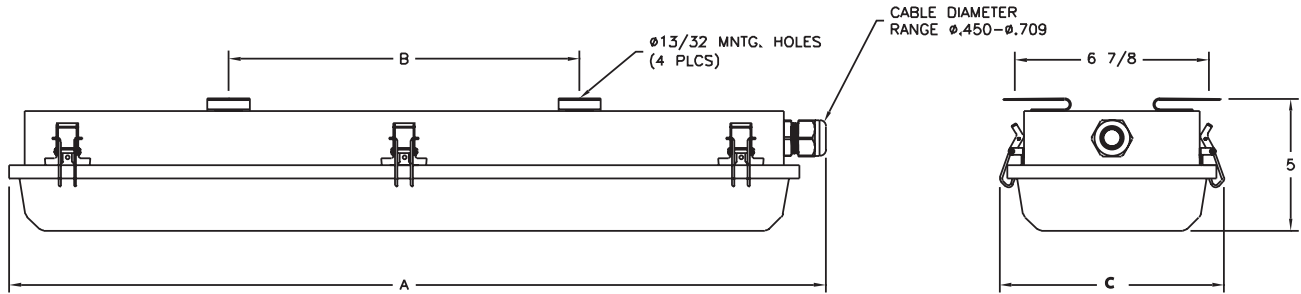
Part No.	Description	Part No.	Description
FX5350	BALLAST 120-277V AC 50/60HZ, 1 x 14, F14T5	FX3568	LAMP, 24w, F24T5HO
FX5350	BALLAST 120-277V AC 50/60HZ, 1 x 28, F28T5	FX3567	LAMP, 54w, F54T5HO
FX5307	BALLAST 120-277V AC 50/60HZ, 1 x 24, F24T5HO	FX3577	LAMP, 54w, Long Life F54T5HO
FX5305	BALLAST 120-277V AC 50/60HZ, 1 x 54, F54T5HO	FX3528	LAMP, 17w, F17T8
FX5174	BALLAST 120-277V AC 50/60HZ, 1 x 17, F17T8	FX3527	LAMP, 32w, F32T8
FX5221	BALLAST 120-277V AC 50/60HZ, 1 x 32, F32T8	FX3565	LAMP, 44w, F48T8HO
FX5349	BALLAST 120-277V AC 50/60HZ, 1 x 44, F48T8HO	FX3507	LAMP, 35w, F24T12HO
FX5334	BALLAST 120-277V AC 50/60HZ, 1 x 35, F24T12HO	FX3505	LAMP, 60w, F48T12HO
FX5334	BALLAST 120-277V AC 50/60HZ, 1 x 60, F48T12HO	FX3533	LAMP, 40w CF, FT40 2G11
FX5272	BALLAST 120-277V AC 50/60HZ, 1 x 40 CF, FT40 2G11	FX8014	LATCH
FX5350	BALLAST 120-277V AC 50/60HZ, 2 x 14, F14T5	GKT6106-69	LENS GASKET, 2 ft. models
FX5350	BALLAST 120-277V AC 50/60HZ, 2 x 28, F28T5	GKT6106-117	LENS GASKET, 4 ft. models
FX5307	BALLAST 120-277V AC 50/60HZ, 2 x 24, F24T5HO	FX4008	LAMP HOLDER, 17w, 20w, 24w, 32w, 40w & 54w Stationary
FX5305	BALLAST 120-277V AC 50/60HZ, 2 x 54, F54T5HO	FX4009	LAMP HOLDER, 17w, 20w, 24w, 32w, 40w & 54w Spring
FX5340	BALLAST 120-277V AC 50/60HZ, 2 x 17, F17T8	FX4008SET	LAMP HOLDER, (1 ea. FX4008, FX4009)
FX5340	BALLAST 120-277V AC 50/60HZ, 2 x 32, F32T8	FX4004	LAMP HOLDER, 35w & 60w Stationary
FX5349	BALLAST 120-277V AC 50/60HZ, 2 x 44, F48T8HO	FX4005	LAMP HOLDER, 35w & 60w Spring
FX5334	BALLAST 120-277V AC 50/60HZ, 2 x 35, F24T12HO	FX4004SET	LAMP HOLDER, (1 ea. FX4004, FX4005)
FX5334	BALLAST 120-277V AC 50/60HZ, 2 x 60, F48T12HO	FX4043	LAMP HOLDER, 40w CF
FX5272	BALLAST 120-277V AC 50/60HZ, 2 x 40, FT40 2G11	FX2175	MATTE POLYCARBONATE LENS (with Gasket), 2ft. models
FX5128HDU	EMERGENCY BATTERY BACKUP BALLAST, EM1/EMT1, 120-277V for CF, T8, T8HO, T12 & T12HO	FX2177	MATTE POLYCARBONATE LENS (with Gasket), 4ft. models
FX5346HDU	EMERGENCY BATTERY BACKUP BALLAST, EM1/EMT1, 120-277V for T5, T5HO	FX2163	CLEAR POLYCARBONATE LENS (with Gasket), 2ft. models
FX3573	LAMP, 14w, F14T5	FX2165	CLEAR POLYCARBONATE LENS (with Gasket), 4ft. models
FX3574	LAMP, 28w, F28T5		

TEMPERATURE CODES & APPROVALS

Lamp Wattage	Ballast/Socket Type	ANSI Lamp Code	Class I T-Code	Class I Division 2	Class II Division 2	Class III	Class II & III T-Code	Starting Temp	Maximum Ambient*	Supply Wire
17	T8 Bi-Pin G13	F17-T8	T5	A,B,C & D	F & G	Yes	T3C	0°F / -18°C	40°C	90°C
32	T8 Bi-Pin G13	F32-T8	T5	A,B,C & D	F & G	Yes	T3C	-20°F / -29°C	40°C	90°C
40	4 Pin 2G11	FT40 CF	T4	A,B,C & D	F & G	Yes	T3C	0°F / -18°C	40°C	90°C
24/54	T5HO Mini Bi-Pin G5	F24/F54-T5HO	T4	A,B,C & D	F & G	Yes	T3C	-20°F / -29°C	40°C	90°C
14/28	T5 Mini Bi-Pin G5	F14/F28-T5	T4	A,B,C & D	F & G	Yes	T3C	0°F / -18°C	40°C	90°C
35/60	T12HO RDC R17d	F24/F48-T12HO	T4	A,B,C & D	F & G	Yes	T3C	-20°F / -29°C	40°C	90°C

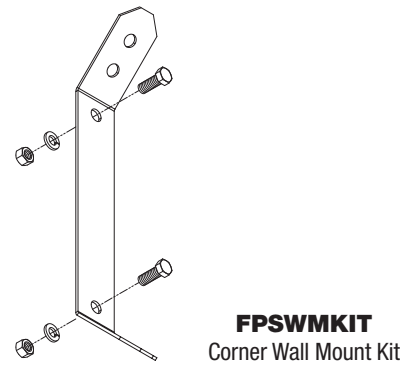
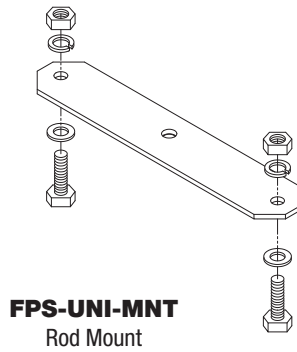
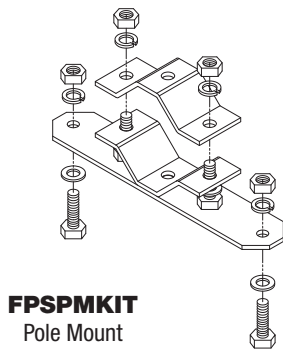
*Consult factory for optional higher ambient models.

DIMENSIONS



Nominal Length	Dimensions in Inches / Centimeters			Carton W x D x L Inches	Nominal Weight	
	A	B	C		Lbs	Kg
2 Foot	28.8 / 73.7	12.44 / 31.59	7.625 / 19.4	8 ³ / ₄ x 6 ¹ / ₄ x 31 ⁷ / ₈	12	4.0
4 Foot	52.8 / 134.6	36.56 / 92.87	7.625 / 19.4	8 ¹ / ₂ x 6 x 56 ¹ / ₆	19	5.9

MOUNTING KITS



Haz

HazCor Optima 1100/ss



FEATURES

- The only stainless steel HID solution available.
- Tool less entry via four stainless steel positive locking latches.
- High temperature silicone gaskets provide a watertight seal.
- Ceiling, pendant, stanchion or wall mount types.
- Field replaceable globe and gaskets.
- Shallow dome reflector available.

APPLICATIONS

- Low bay
- Hazardous locations
- Marine & watertight requirements
- Oil and gas exploration and production
- Petrochemical facilities
- Waste water treatment plants
- Pulp and paper production
- Aluminum processing facilities
- Salt and potash mines
- Pharmaceutical & additives formulation & processing
- Corrosive environments

APPROVALS

- Class I Division 2 Groups A, B, C & D
- Class I Zone 2 Groups IIA, IIB, IIB + H2 & IIC
- Type 4X
- Conforms to IP66
- Marine Outside Type Saltwater
- ABS

STANDARDS

- UL 844 - Hazardous Locations
- UL 1598A - Luminaires for Marine Vessels
- CSA - C22.2 No. 137-M1981

TECHNICAL SPECIFICATIONS

HOUSING AND MOUNTS

Type 316 stainless steel.

GLOBE RETAINING RING

Stainless steel.

LATCHES

Stainless steel, over the center cam.

GLOBE

Clear polycarbonate or Type V distribution, prismatic polycarbonate.

REFLECTOR

Optional shallow dome acrylonitrile butadiene styrene (ABS), gloss white.

MOUNTINGS

Ceiling, pendant, stanchion and wall.

ENTRIES

3/4" or 1" NPT outlets, stanchion 1 1/4" or 1 1/2".

GASKETS

One piece silicone.

BALLAST

120/208/240/277v 60Hz multi-tap ballast or 480v 60Hz. 50Hz ballasts optional.

LAMP TYPE

Luminaires are supplied without lamps.

Lamp Type/ Mogul Base	Wattage	ANSI Code	T-Code	Ambient Temp	Supply Wire Temp
HPS	50	S68	T2D/T2C	40/55°C	65/75°C
HPS	70	S62	T2D/T2C	40/55°C	65/75°C
HPS	100	S54	T2D/T2C	40/55°C	65/75°C
MH	100	M90	T2B	40°C	105°C

ORDERING REFERENCES



1. Lamp Type

LXS - High Pressure Sodium
MHS - Metal Halide

2. Mounting Type & Outlets

B2 - 1" Wall Mount 2 Way
B3 - 3/4" Wall Mount 2 Way
B4 - 3/4" Wall Mount 4 Way
B5 - 1" Wall Mount 4 Way
C2 - 1" Ceiling Mount 2 Way
C3 - 3/4" Ceiling Mount 2 Way
C4 - 3/4" Ceiling Mount 4 Way
C5 - 1" Ceiling Mount 4 Way
P1 - 1" Pendant Mount
P3 - 3/4" Pendant Mount
S - 1 1/4" Stanchion Mount
S1 - 1 1/2" Stanchion Mount

3. Globes

R - Polycarbonate Refractor Globe
X - Polycarbonate Clear Globe

4. Wattage

50 - 50w (LXS)
70 - 70w (LXS)
10 - 100w

5. Voltage

MT - 120/208/240/277v 60Hz Multi-tap
48 - 480v 60Hz

Note: For 50Hz ballast consult factory.

6. Special Options

IR* - Instant Restrike
F** - Fused Ballast
L - Shallow Dome Reflector

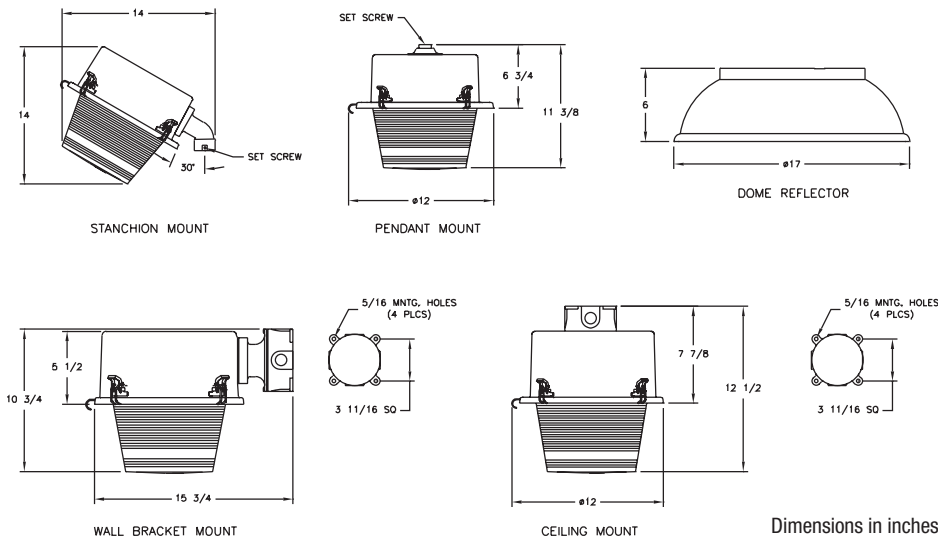
*High Pressure Sodium only

**Not for marine application

SPARE PARTS

Part No.	Description
INX7050P1S	MOUNTING, Pendant 1"
INX7050P3S	MOUNTING, Pendant 3/4"
INX7051C2S	MOUNTING, Ceiling 1" 2 Way
INX7051C3S	MOUNTING, Ceiling 3/4" 2 Way
INX7051C4S	MOUNTING, Ceiling 3/4" 4 Way
INX7051C5S	MOUNTING, Ceiling 1" 4 Way
INX7055SS	MOUNTING, Stanchion 1 1/4"
INX7055S1S	MOUNTING, Stanchion 1 1/2"
INX7056B2S	MOUNTING, Wall 1" 2 Way
INX7056B3S	MOUNTING, Wall 3/4" 2 Way
INX7056B4S	MOUNTING, Wall 3/4" 4 Way
INX7056B5S	MOUNTING, Wall 1" 4 Way
INX5118	BALLAST, High Pressure Sodium, 50w
INX5116	BALLAST, High Pressure Sodium, 70w
INX5113	BALLAST, High Pressure Sodium, 100w
INX5135	BALLAST, Metal Halide, 70w
INX5133	BALLAST, Metal Halide, 100w
INX3687	LAMP, High Pressure Sodium, 50w
INX3662	LAMP, High Pressure Sodium, 70w
INX3535	LAMP, High Pressure Sodium, 100w
INX3683	LAMP, Metal Halide, 70w
INX3682	LAMP, Metal Halide, 100w
INX4100	LAMP HOLDER
INX4567	REFLECTOR, Shallow Dome
INX2169	GLOBE, Polycarbonate Refractor Globe
INX2181	GLOBE, Polycarbonate Clear Globe

DIMENSIONS



Dimensions in inches

Haz

HazCor Optima 1110/ss



Removable Ballast Tray

FEATURES

- The only stainless steel HID solution available.
- Maintenance friendly removable ballast tray.
- Tool less entry via four stainless steel over the center cam latches.
- Tool less lamp replacement.
- High temperature silicone gaskets provide a watertight seal.
- Ceiling, pendant, stanchion or wall mount types.
- Field replaceable globe and gaskets.
- Choice of angled or shallow dome reflectors.

APPLICATIONS

- Mid & Low bay
- Hazardous locations
- Marine & watertight requirements
- Oil and gas exploration and production
- Petrochemical facilities
- Waste water treatment plant
- Pulp and paper production
- Aluminum processing facilities
- Salt and potash mines
- Pharmaceutical & additives formulation & processing
- Corrosive environments

APPROVALS

- Class I Division 2 Groups A, B, C & D
- Class I Zone 2 Groups IIA, IIB, IIB + H2 & IIC
- Type 4X
- Conforms to IP66
- Marine Outside Type Saltwater
- ABS

STANDARDS

- UL 844 - Hazardous Locations
- UL 1598A - Luminaires for Marine Vessels
- CSA - C22.2 No. 137-M1981

TECHNICAL SPECIFICATIONS

HOUSING AND MOUNTS

Type 316 stainless steel.

GLOBE RETAINING RING

Stainless steel.

LATCHES

Stainless steel, over the center cam.

GLOBE

Internally fluted glass. Clear globe optional.

REFLECTORS

Optional 30° angled or shallow dome acrylonitrile butadiene styrene (ABS), gloss white.

MOUNTINGS

Ceiling, pendant, stanchion and wall.

ENTRIES

3/4" or 1" NPT outlets, stanchion 1/4" or 1/2".

GASKETS

One piece silicone.

GUARD

Optional stainless steel guard.

BALLAST

120/208/240/277v 60Hz multi-tap ballast or 480v 60Hz. 50Hz ballasts optional.

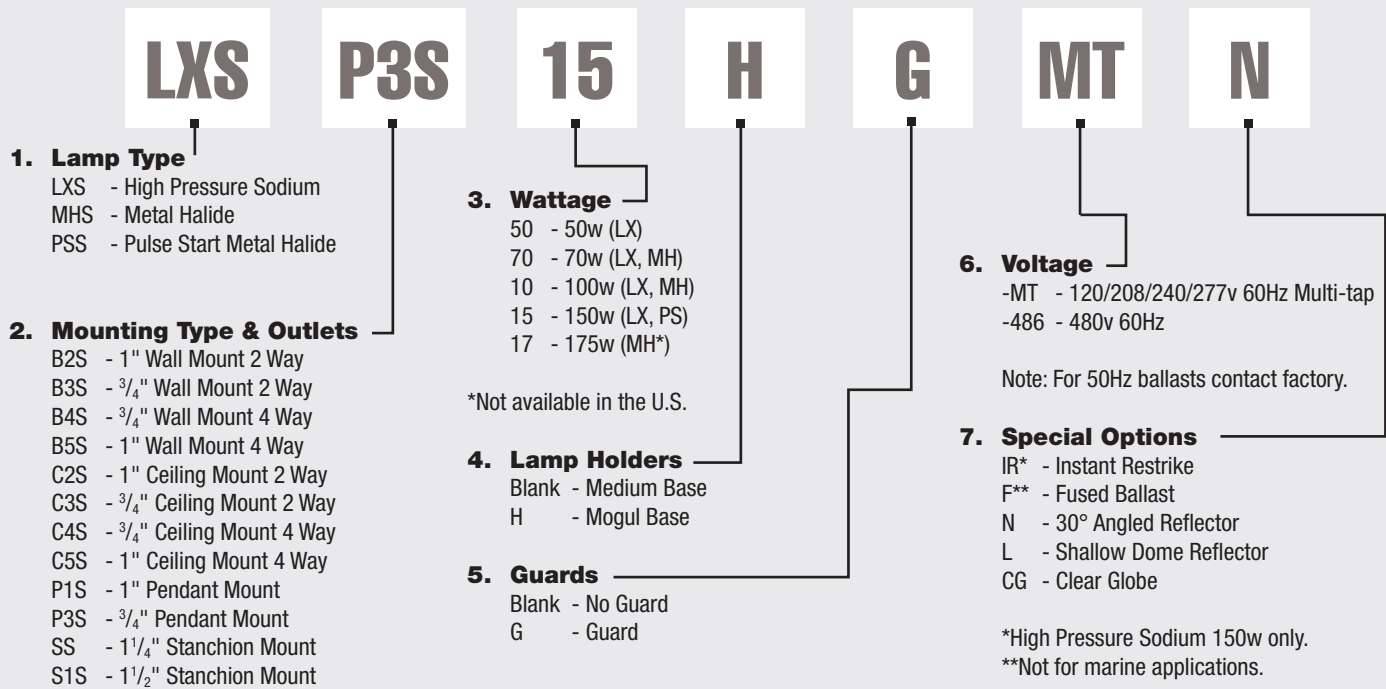
LAMP TYPE

Luminaires are supplied without lamps.

Lamp Type/ Mogul Base	Wattage	ANSI Code	T-Code	Ambient Temp	Supply Wire Temp
HPS (MED)	50	S68	T1	25°C	90°C
HPS (MED)	70	S62	T1	25°C	90°C
HPS (MED)	100	S54	T1	25°C	90°C
HPS (MED)	150	S55	T1	25°C	90°C
HPS (MOG)	50	S68	T3	40°C	90°C
HPS (MOG)	70	S62	T3	40°C	90°C
HPS (MOG)	100	S54	T2B	40°C	90°C
HPS (MOG)	150	S55	T2B	40°C	90°C
MH (MED)	70	M98	T1	25°C	110°C
MH (MED)	100	M90	T1	25°C	110°C
MH (MED)	175*	M57	T1	25°C	110°C
MH (MOG)	70	M98	T2A	25°C	110°C
MH (MOG)	100	M90	T2A	25°C	110°C
MH (MOG)	175*	M57	T2A	25°C	110°C
PSMH (MOG)	150	M102	T2A	25°C	110°C

*Not available in the U.S.

ORDERING REFERENCES

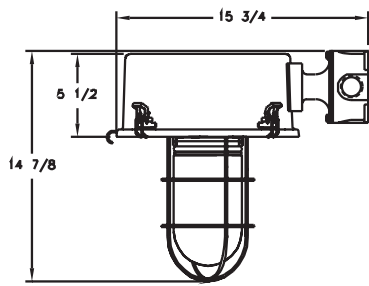


SPARE PARTS

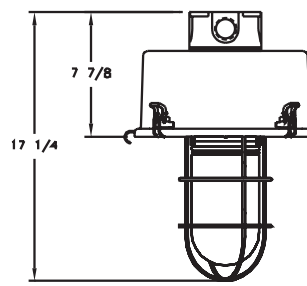
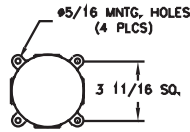
Part No.	Description
INX5118	MULTI TAP BALLAST, High Pressure Sodium, 50w
INX5116	MULTI TAP BALLAST, High Pressure Sodium, 70w
INX5113	MULTI TAP BALLAST, High Pressure Sodium, 100w
INX5110	MULTI TAP BALLAST, High Pressure Sodium, 150w
INX5135	MULTI TAP BALLAST, Metal Halide, 70w
INX5133	MULTI TAP BALLAST, Metal Halide, 100w
INX5022	MULTI TAP BALLAST, Metal Halide, 175w
INX5263	MULTI TAP BALLAST, Pulse Start Metal Halide, 150w
INX3653	LAMP MEDIUM BASE, High Pressure Sodium, 50w
INX3621	LAMP MEDIUM BASE, High Pressure Sodium, 70w
INX3632	LAMP MEDIUM BASE, High Pressure Sodium, 100w
INX3593	LAMP MEDIUM BASE, High Pressure Sodium, 150w
INX3647	LAMP MEDIUM BASE, Metal Halide, 70w
INX3659	LAMP MEDIUM BASE, Metal Halide, 100w
INX3620	LAMP MEDIUM BASE, Metal Halide, 175w
INX3743	LAMP MOGUL BASE, Pulse Start Metal Halide, 150w
INX3687	LAMP MOGUL BASE, High Pressure Sodium, 50w
INX3662	LAMP MOGUL BASE, High Pressure Sodium, 70w
INX3535	LAMP MOGUL BASE, High Pressure Sodium, 100w
INX3651	LAMP MOGUL BASE, High Pressure Sodium, 150w
INX3683	LAMP MOGUL BASE, Metal Halide, 70w
INX3682	LAMP MOGUL BASE, Metal Halide, 100w
INX3551	LAMP MOGUL BASE, Metal Halide, 175w
INX3744	LAMP MOGUL BASE, Pulse Start Metal Halide, 150w
INX7050P1S	MOUNTING, Pendant 1"
INX7050P3S	MOUNTING, Pendant 3/4"
INX7051C2S	MOUNTING, Ceiling 1" 2 Way
INX7051C3S	MOUNTING, Ceiling 3/4" 2 Way
INX7051C4S	MOUNTING, Ceiling 3/4" 4 Way
INX7051C5S	MOUNTING, Ceiling 1" 4 Way
INX7055SS	MOUNTING, Stanchion 1 1/4"
INX7055S1S	MOUNTING, Stanchion 1 1/2"
INX7056B2S	MOUNTING, Wall 1" 2 Way
INX7056B3S	MOUNTING, Wall 3/4" 2 Way
INX7056B4S	MOUNTING, Wall 3/4" 4 Way
INX7056B5S	MOUNTING, Wall 1" 4 Way
INX4564	REFLECTOR, 30° Angled
INX4565	REFLECTOR, Shallow Dome
INX2150	GLOBE, Fluted
INX2008HR	GLOBE, Clear
GKT6090	GASKET, Housing
GKT2013	GASKET, Globe Base
INX4096	LAMP HOLDER, Medium
INX4100	LAMP HOLDER, Mogul
INX1057	GUARD

HazCor Optima 110/ss

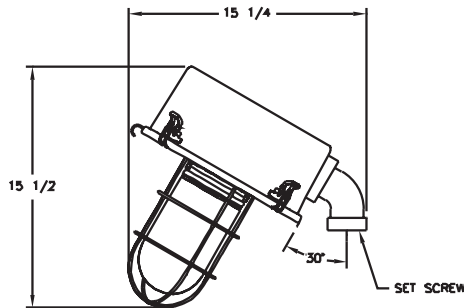
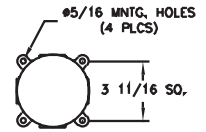
DIMENSIONS



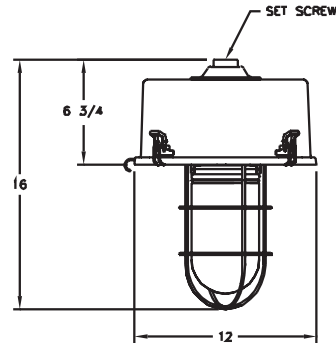
WALL MOUNT



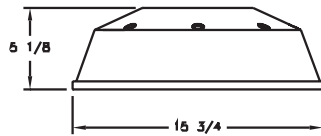
CEILING MOUNT



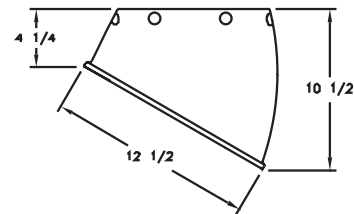
STANCHION MOUNT



PENDANT MOUNT



DOME REFLECTOR



ANGLE REFLECTOR

Dimensions in inches

NOTES

HazCor Optima 1120/ss



Removable Ballast Tray

FEATURES

- The only stainless steel HID solution available.
- Maintenance friendly removable ballast tray.
- Tool less entry via four stainless steel over the center cam latches.
- Lamp base isolated from ballast compartment for higher ambient suitability.
- Tool less lamp replacement.
- Open bottom stainless steel wire guard allows access to the globe for easy relamping.
- High temperature silicone gaskets provide a watertight seal.
- Ceiling, pendant, stanchion or wall mount types.
- Field replaceable globe and gaskets.
- Choice of angled or shallow dome reflectors.

APPLICATIONS

- Mid bay
- Hazardous locations
- Marine and watertight requirements
- Oil and gas exploration and production
- Petrochemical facilities
- Waste water treatment plants
- Pulp and paper production
- Aluminum processing facilities
- Salt and potash mines
- Pharmaceutical & additives formulation & processing
- Corrosive environments

APPROVALS

- Class I Division 2 Groups A, B, C & D
- Class I Zone 2 Groups IIA, IIB, IIB + H2 & IIC
- Type 4X
- Conforms to IP66
- Marine Outside Type Saltwater
- ABS

STANDARDS

- UL 844 - Hazardous Locations
- UL 1598A - Luminaires for Marine Vessels
- CSA - C22.2 No. 137-M1981

TECHNICAL SPECIFICATIONS

HOUSING AND MOUNTS

Type 316 stainless steel.

GLOBE RETAINING RING

Stainless steel.

LATCHES

Stainless steel, over the center cam.

GLOBE

Internally fluted glass.

REFLECTORS

Optional 30° angled or shallow dome acrylonitrile butadiene styrene (ABS), gloss white.

MOUNTINGS

Ceiling, pendant, stanchion and wall.

ENTRIES

3/4" or 1" NPT outlets, stanchion 1 1/4" or 1 1/2".

GASKETS

One piece silicone.

GUARD

Stainless steel guard, optional.

BALLAST

120/208/240/277v 60Hz multi-tap ballast or 480v 60Hz. 50Hz ballasts optional.

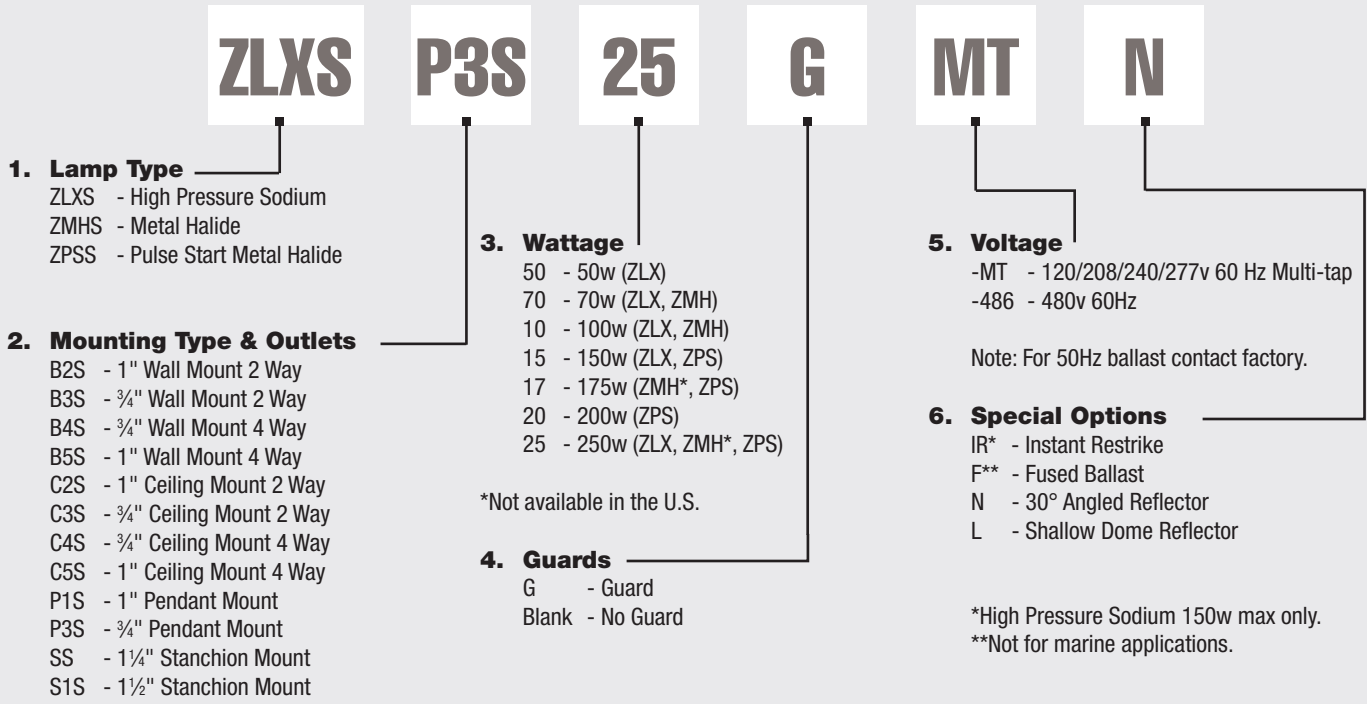
LAMP TYPE

Luminaires are supplied without lamps.

Lamp Type/ Mogul Base	Wattage	ANSI Code	T-Code	Ambient Temp	Supply Wire Temp
HPS	50	S68	T2B	40°C	75°C
HPS	70	S62	T2B	40°C	75°C
HPS	100	S54	T2B	40°C	75°C
HPS	150	S55	T2B	40°C	75°C
HPS	250	S50	T2A	40°C	85°C
MH	70	M98	T2	40°C	75°C
MH	100	M90	T2	40°C	75°C
MH	175*	M57	T2	40°C	75°C
MH	250*	M158	T1	40°C	85°C
PSMH	150	M102	T1	40°C	75°C
PSMH	175	M137	T1	40°C	75°C
PSMH	200	M136	T1	40°C	75°C
PSMH	250	M138	T1	40°C	75°C

*Not available in the U.S.

ORDERING REFERENCES



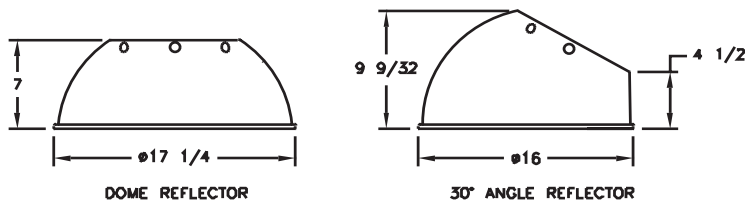
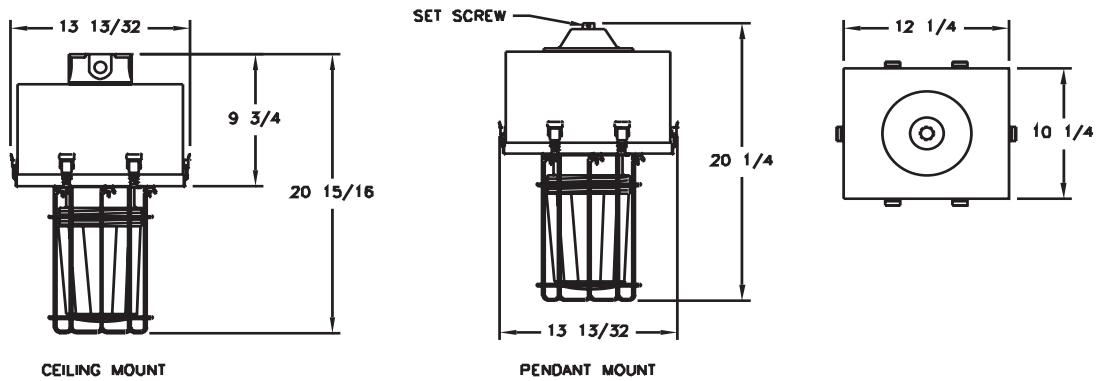
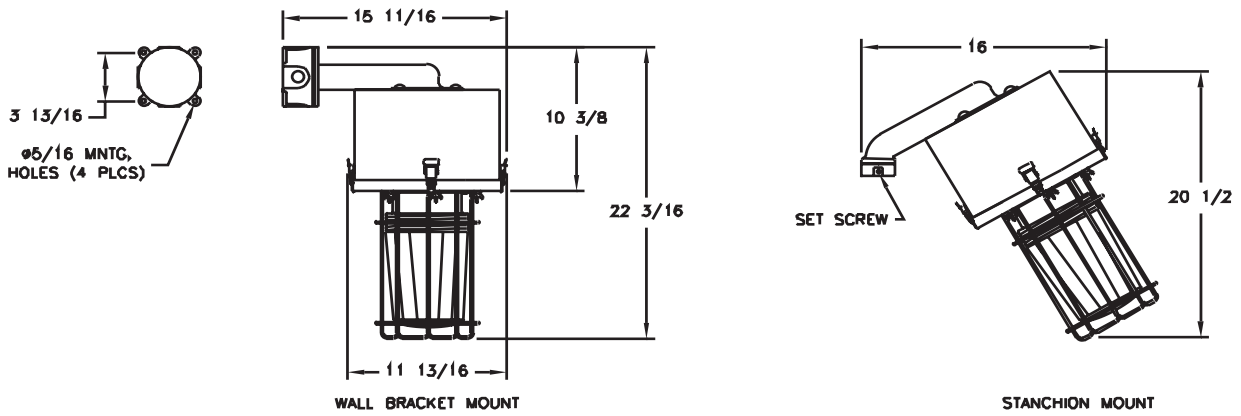
SPARE PARTS

Part No.	Description
INX5118	MULTI TAP BALLAST, High Pressure Sodium, 50w
INX5116	MULTI TAP BALLAST, High Pressure Sodium, 70w
INX5113	MULTI TAP BALLAST, High Pressure Sodium, 100w
INX5110	MULTI TAP BALLAST, High Pressure Sodium, 150w
INX5176	MULTI TAP BALLAST, High Pressure Sodium, 250w
INX5135	MULTI TAP BALLAST, Metal Halide, 70w
INX5133	MULTI TAP BALLAST, Metal Halide, 100w
INX5022	MULTI TAP BALLAST, Metal Halide, 175w
INX5182	MULTI TAP BALLAST, Metal Halide, 250w
INX5263	MULTI TAP BALLAST, Pulse Start Metal Halide, 150w
INX5244	MULTI TAP BALLAST, Pulse Start Metal Halide, 175w
INX5251	MULTI TAP BALLAST, Pulse Start Metal Halide, 200w
INX5245	MULTI TAP BALLAST, Pulse Start Metal Halide, 250w
INX3687	LAMP MOGUL BASE, High Pressure Sodium, 50w
INX3662	LAMP MOGUL BASE, High Pressure Sodium, 70w
INX3535	LAMP MOGUL BASE, High Pressure Sodium, 100w
INX3651	LAMP MOGUL BASE, High Pressure Sodium, 150w
INX3546	LAMP MOGUL BASE, High Pressure Sodium, 250w
INX3683	LAMP MOGUL BASE, Metal Halide, 70w
INX3682	LAMP MOGUL BASE, Metal Halide, 100w
INX3551	LAMP MOGUL BASE, Metal Halide, 175w
INX3541	LAMP MOGUL BASE, Metal Halide, 250w
INX3744	LAMP MOGUL BASE, Pulse Start Metal Halide, 150w
INX3732	LAMP MOGUL BASE, Pulse Start Metal Halide, 175w
INX3738	LAMP MOGUL BASE, Pulse Start Metal Halide, 200w
INX3734	LAMP MOGUL BASE, Pulse Start Metal Halide, 250w
INX7050P1S	MOUNTING, Pendant 1"
INX7050P3S	MOUNTING, Pendant 3/4"
INX7051C2S	MOUNTING, Ceiling 1" 2 Way
INX7051C3S	MOUNTING, Ceiling 3/4" 2 Way
INX7051C4S	MOUNTING, Ceiling 3/4" 4 Way
INX7051C5S	MOUNTING, Ceiling 1" 4 Way
INX7053SS	MOUNTING, Stanchion 1 1/4"
INX7053S1S	MOUNTING, Stanchion 1 1/2"
INX7052B2S	MOUNTING, Wall 1" 2 Way
INX7052B3S	MOUNTING, Wall 3/4" 2 Way
INX7052B4S	MOUNTING, Wall 3/4" 4 Way
INX7052B5S	MOUNTING, Wall 1" 4 Way
INX4567	REFLECTOR, 30° Angled
INX4568	REFLECTOR, Shallow Dome
INX2136	GLOBE, Fluted
GKT6089-41	GASKET, Housing
GKT3021-1	GASKET, Globe Base
INX4004	LAMP HOLDER, HPS, MH
INX4100	LAMP HOLDER, PSMH
INX1059	GUARD

Stainless Steel - Hazardous Area Certified Lighting

HazCor Optima 1120/ss

DIMENSIONS

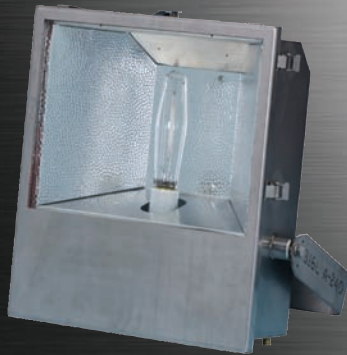


Dimensions in inches

NOTES

Haz

HazFlood Vulcan/ss



FEATURES

- 150 - 400w HID.
- Suitable for T3 temperature code requirements at up to a 55°C ambient.
- Trunnion attachment points positioned at fixture balance point. Allows for crane boom mounting with optional bracket.
- Choice of mounting arrangements in surface, pole or wall.
- Integral safety cable attachment points.
- Field replaceable thermal shock resistant tempered glass lens.
- High temperature silicone gasket provides a watertight seal.
- Two 3/4" NPT entries for feed-through/looping wiring. M25 entry reducers available.
- Tested and approved over 180° aiming range, enabling face up through face down mounting.
- Tool less entry via eight stainless steel over the center cam latches.
- Captive lens frame with stainless steel door retainers for easy lamp replacement.
- Wide NEMA 6 x 6 beam spread, optional 5 x 5.

APPLICATIONS

- T3 Hazardous locations
- Marine and watertight requirements
- Oil and gas exploration and production
- Petrochemical facilities
- Waste water treatment plants
- Pulp and paper production
- Aluminum processing facilities
- Salt and potash mines
- High ambient environments
- Corrosive environments

APPROVALS

- Class I Zone 2 AEx nR II T3
- Ex nR II T3
- Class I Division 2 Groups A, B, C & D
- Class I Zone 2 Groups IIA, IIB, IIB + H2 & IIC
- Type 4X
- Certified IP66 and IP67
- Marine Outside Type Saltwater
- ABS

STANDARDS

- UL 844 - Hazardous Locations
- UL 2279 - Electrical Equipment for Zone Areas
- UL 1598A - Luminaires for Marine Vessels
- CSA - E60079-15:02
- CSA - C22.2 No. 137-M1981

TECHNICAL SPECIFICATIONS

HOUSING/LENS FRAME

Type 316 stainless steel.

WIND RATING

EPA 4.38 at vertical.

MOUNTING BRACKET

Type 316 stainless steel trunnion bracket. Please see SPARE PARTS for additional selections.

REFLECTORS

Hammertone aluminum.

ENTRIES

Two 3/4" NPT. Reducer entries for M25 available.

LENS

Tempered glass.

GASKET

One piece silicone.

GUARD

Optional, type 316 stainless steel.

VISOR

Optional, top and side, type 316 stainless steel.

BALLAST

Standard: Multi-tap 120/208/240/277v 60 Hz.

Optional: 220v, 347v, or 480v 60Hz, and 220v or 240v 50Hz.

Optional: Remote ballast suitable for use up to 50 feet from luminaire.

LAMP HOLDER

Mogul base, porcelain.

LAMP TYPES

High Pressure Sodium, Metal Halide* and Pulse Start Metal Halide. Luminaires supplied without lamps.

*Not available in the U.S.

ORDERING REFERENCES

PART NUMBER	LAMP TYPE	WATTAGE	WEIGHT LBS	ANSI LAMP TYPE	T-CODE	AMBIENT TEMP	SUPPLY WIRE TEMP
RBFLS15IB	High Pressure Sodium	150w	47.5	S55	T3	40/55°C	90/110°C
RBFLS25IB	High Pressure Sodium	250w	56.0	S50	T3	40/55°C	90/110°C
RBFLS4IB	High Pressure Sodium	400w	58.5	S51	T3	40/55°C	90/110°C
RBFHS17IB*	Metal Halide	175w	51.5	M57	T3	40/55°C	90/110°C
RBFHS25IB*	Metal Halide	250w	50.5	M58	T3	40/55°C	90/110°C
RBFHS4IB*	Metal Halide	400w	56.5	M59	T3	40/55°C	90/110°C
RBFPS25IB	Pulse Start Metal Halide	250w	50.5	M153	T3	40/55°C	90/110°C
RBFPS4IB	Pulse Start Metal Halide	400w	56.5	M155	T3	40/55°C	90/110°C

*Not available in the U.S.

SPECIAL OPTIONS

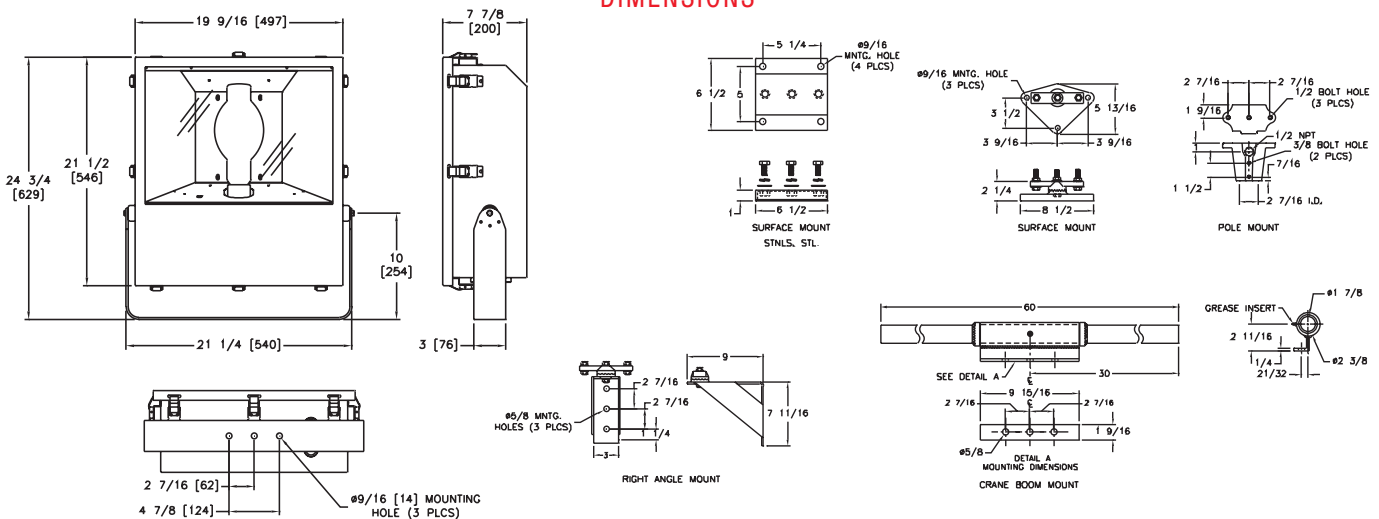
- | | | | |
|------|---|------|----------------------------------|
| C | - Auxiliary Quartz Light (Light continuator) | -346 | - 347v 60Hz |
| I | - Instant Restrike (Up to 150w High Pressure Sodium only) | -486 | - 480v 60Hz |
| LI | - Instant Restrike Lamp (250w and 400w High Pressure Sodium only) | G* | - Stainless Steel Guard |
| -225 | - 220v 50Hz | V* | - Top and Side Visor |
| -226 | - 220v 60Hz | N | - Narrow NEMA 4 x 6 Beam Pattern |
| -245 | - 240v 50Hz | L | - Lamp Included |

*Cannot be field installed, specify at order placement.

SPARE PARTS

Part No.	Description
INX5015	BALLAST, High Pressure Sodium 150w
INX5021	BALLAST, High Pressure Sodium 250w
INX5019	BALLAST, High Pressure Sodium 400w
INX5102	BALLAST, Metal Halide 250w
INX5033	BALLAST, Metal Halide 400w
INX5245	BALLAST, Pulse Start Metal Halide 250w
INX5246	BALLAST, Pulse Start Metal Halide 400w
INX3651	LAMP, High Pressure Sodium 150w
INX3546	LAMP, High Pressure Sodium 250w
INX3517	LAMP, High Pressure Sodium 400w
INX3541	LAMP, Metal Halide 250w
INX3524	LAMP, Metal Halide 400w
INX3733	LAMP, Pulse Start Metal Halide 250w
INX3734	LAMP, Pulse Start Metal Halide 400w
INX4004	LAMP HOLDER
INX2203	LENS
GKT5093	GASKET
INX1064	GUARD
INX6261	VISOR
INX6848	M25 CABLE ENTRY REDUCERS (set of 2)
INX7007SS	MOUNTING, Surface Stainless Steel
INX7006A	MOUNTING, Pole Aluminum
INX7006SS	MOUNTING, Pole Stainless Steel
INX7091	MOUNTING, Pole Stainless Steel (No cable feed-thru)
INX7058S	MOUNTING, Right Angled Wall Stainless Steel
INX7001	MOUNTING, Crane Boom Painted Steel
SC30H	SAFETY CABLE, 48" Stainless Steel, Snap Hook

DIMENSIONS



Dimensions in inches [millimeters]

Haz

HazFlood Goliath 2100/ss



FEATURES

- 70-175w HID.
- Compact design for maximum mounting flexibility.
- Field replaceable, thermal shock resistant tempered glass lens.
- High temperature silicone gasket provides a watertight seal.
- Tool less entry via eight positive locking stainless steel latches.
- Captive lens frame with stainless steel door retainers for easy lamp replacement.
- Optional safety cable attachment points.
- Remote ballast available.
- Tested and approved over 180° aiming range, enabling face up through face down mounting.
- Wide NEMA 7 x 6 beam spread.
- Optional vibration resistant lamp holder.
- Choice of mounting arrangements in surface, pole, right angle and crane boom (via a modified housing).

APPLICATIONS

- Hazardous locations
- Marine and watertight requirements
- Oil and gas exploration and production
- Petrochemical facilities
- Waste water treatment plants
- Pulp and paper production
- Aluminium processing facilities
- Salt and potash mines
- Corrosive environments
- Façade security lighting

APPROVALS

- Class I Division 2 Groups A, B, C & D
- Class I Zone 2 Groups IIA, IIB, IIB + H2 & IIC
- Type 4X
- Conforms to IP66
- Marine Outside Type Saltwater
- ABS

STANDARDS

- UL 844 - Hazardous Locations
- UL 1598A - Luminaires for Marine Vessels
- CSA - C22.2 No. 137-M1981

TECHNICAL SPECIFICATIONS

HOUSING

Type 316 stainless steel.

WIND RATING

EPA - 2.24 at vertical.

LENS FRAME

Type 316 stainless steel.

MOUNTING BRACKETS

Type 316 stainless steel trunnion mount. Please see SPARE PARTS for additional selections.

REFLECTORS

Hammertone aluminum.

ENTRIES

One 3/4" NPT.

LENS

Tempered glass.

BALLAST

Standard: Multi-tap 120/208/240/277v 60 Hz.

Optional: 220v, 347v, or 480v 60Hz, and 220v or 240v 50Hz.

Optional: Remote ballast suitable for use up to 50 feet from luminaire.

GASKET

One piece silicone.

GUARD

Optional, type 316 stainless steel.

VISOR

Optional, top or top and side, type 316 stainless steel.

LAMP HOLDER

Mogul base, porcelain.

LAMP TYPES

High Pressure Sodium, Metal Halide* and Pulse Start Metal Halide. Luminaires supplied without lamps.

*Not available in the U.S.

ORDERING REFERENCES

PART NUMBER	LAMP TYPE	WATTAGE	WEIGHT LBS	ANSI LAMP TYPE	T-CODE	AMBIENT TEMP	SUPPLY WIRE TEMP
NHIDLS7IB	High Pressure Sodium	70w	26.0	S62	T2B	25°C	110°C
NHIDLS1IB	High Pressure Sodium	100w	28.0	S54	T2B	25°C	110°C
NHIDLS15IB	High Pressure Sodium	150w	29.0	S55	T2B	25°C	110°C
NHIDHS17IB*	Metal Halide	175w	28.0	M57	T2B	25°C	125°C
NHIDPS15IB	Pulse Start Metal Halide	150w	29.0	M102	T2B	25°C	110°C
NHIDPS17IB	Pulse Start Metal Halide	175w	28.0	M152	T2B	25°C	125°C

*Not available in the U.S.

SPECIAL OPTIONS

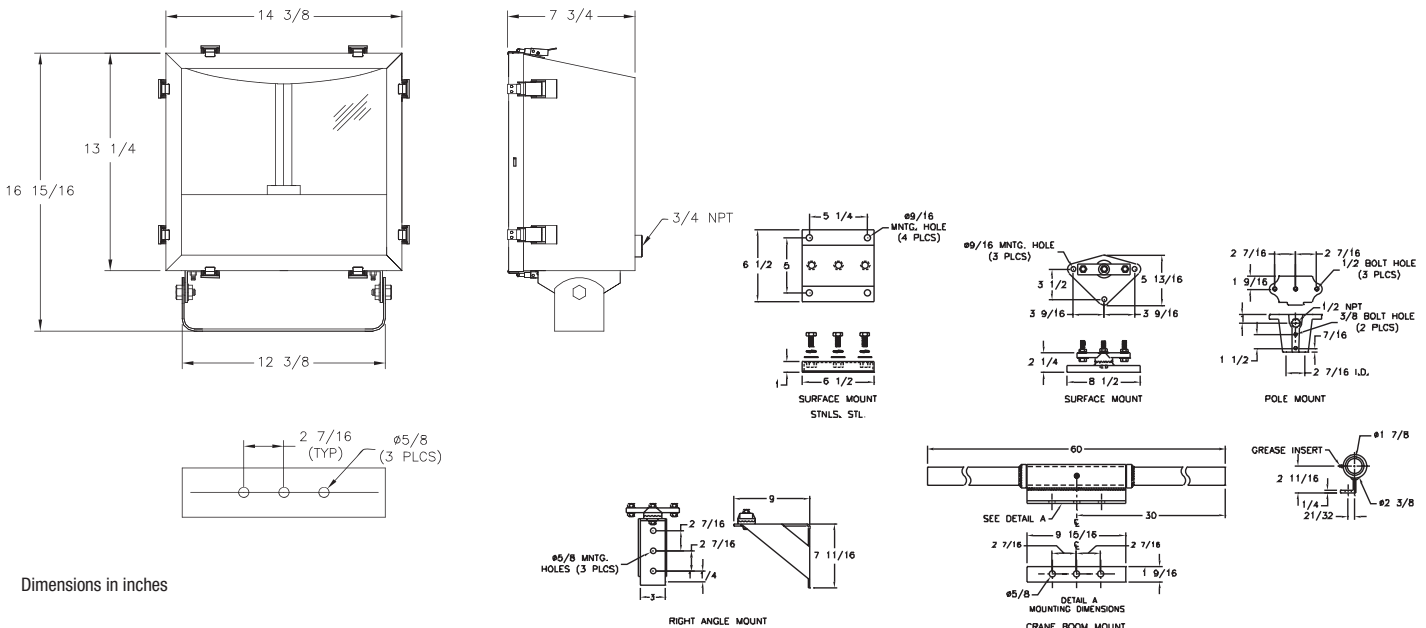
- | | | | |
|------|--|------|--|
| F | - Fused Ballast (Not for marine use) | -486 | - 480v 60Hz |
| IR | - Instant Restrike (High Pressure Sodium only) | RB* | - Remote Ballast |
| W* | - Dual Safety Cable Attachment Points | SP | - Vibration Resistant Lamp Holder |
| -225 | - 220v 50Hz | G* | - Stainless Steel Guard |
| -226 | - 220v 60Hz | CB* | - Crane Boom Modified Housing (Includes option SP) |
| -245 | - 240v 50Hz | TV* | - Top Visor |
| -346 | - 347v 60Hz | SV* | - Top and Side Visor |

*Cannot be field installed, specify at order placement.

SPARE PARTS

Part No.	Description
INX5087	BALLAST, High Pressure Sodium 70w
INX5014	BALLAST, High Pressure Sodium 100w
INX5015	BALLAST, High Pressure Sodium 150w
INX5022	BALLAST, Metal Halide 175w
INX5263	BALLAST, Pulse Start Metal Halide 150w
INX5244	BALLAST, Pulse Start Metal Halide 175w
INX3662	LAMP, High Pressure Sodium 70w
INX3535	LAMP, High Pressure Sodium 100w
INX3651	LAMP, High Pressure Sodium 150w
INX3551	LAMP, Metal Halide 175w
INX3744	LAMP, Pulse Start Metal Halide 150w
INX3732	LAMP, Pulse Start Metal Halide 175w
INX4100	LAMP HOLDER
INX2152	LENS
GKT6089-49	GASKET
INX7007SS	MOUNTING, Surface Stainless Steel
INX7006SS	MOUNTING, Pole Stainless Steel
INX7091	MOUNTING, Pole Stainless Steel (No cable feed-thru)
INX7058S	MOUNTING, Right Angled
INX7001	MOUNTING, Crane Boom (Requires crane boom housing)
SC30H	SAFETY CABLE, 48" Stainless Steel, Snap Hook

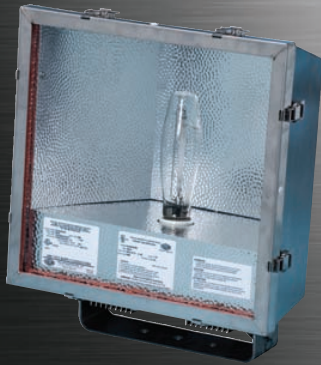
DIMENSIONS



Dimensions in inches

Haz

HazFlood Goliath 2110/ss



FEATURES

- 250-400w HID.
- Field replaceable, thermal shock resistant tempered glass lens.
- High temperature silicone gasket provides a watertight seal.
- Tool less entry via eight positive locking stainless steel latches.
- Captive lens frame with stainless steel door retainers for easy lamp replacement.
- Optional safety cable attachment points.
- Remote ballast available.
- Tested and approved over 180° aiming range, enabling face up through face down mounting.
- Very wide NEMA 7 x 7 beam spread.
- Optional vibration resistant lamp holder.
- Choice of mounting arrangements in surface, pole, right angle and crane boom (via a modified housing).

APPLICATIONS

- Hazardous locations
- Marine and watertight requirements
- Oil and gas exploration and production
- Petrochemical facilities
- Waste water treatment plants
- Pulp and paper production
- Aluminum processing facilities
- Salt and potash mines
- Corrosive environments
- Façade security lighting

APPROVALS

- Class I Division 2 Groups A, B, C & D
- Class I Zone 2 Groups IIA, IIB, IIB + H2 & IIC
- Type 4X
- Conforms to IP66
- Marine Outside Type Saltwater
- ABS

STANDARDS

- UL 844 - Hazardous Locations
- UL 1598A - Luminaires for Marine Vessels
- CSA - C22.2 No. 137-M1981

TECHNICAL SPECIFICATIONS

HOUSING

Type 316 stainless steel.

WIND RATING

EPA - 3.62 at vertical.

LENS FRAME

Type 316 stainless steel.

MOUNTING BRACKETS

Type 316 stainless steel trunnion mount. Please see SPARE PARTS for additional selections.

REFLECTORS

Hammertone aluminum.

ENTRIES

One ¼" NPT.

LENS

Tempered glass.

BALLAST

Standard: Multi-tap 120/208/240/277v 60 Hz.

Optional: 220v, 347v, or 480v 60Hz, and 220v or 240v 50Hz.

Optional: Remote ballast suitable for use up to 50 feet from luminaire.

GASKET

One piece silicone.

GUARD

Optional, type 316 stainless steel.

VISOR

Optional, top or top and side, type 316 stainless steel.

LAMP HOLDER

Mogul base, porcelain.

LAMP TYPES

High Pressure Sodium, Metal Halide* and Pulse Start Metal Halide. Luminaires supplied without lamps.

*Not available in the U.S.

ORDERING REFERENCES

PART NUMBER	LAMP TYPE	WATTAGE	WEIGHT LBS	ANSI LAMP TYPE	T-CODE	AMBIENT TEMP	SUPPLY WIRE TEMP
NHIDLS25IB	High Pressure Sodium	250w	42.0	S50	T1	25°C	125°C
NHIDLS4IB	High Pressure Sodium	400w	46.0	S51	T1	25°C	125°C
NHIDHS25IB*	Metal Halide	250w	41.0	M58	T1	25°C	125°C
NHIDHS4IB*	Metal Halide	400w	45.0	M59	T1	25°C	125°C
NHIDPS25IB	Pulse Start Metal Halide	250w	42.0	M153	T1	25°C	125°C
NHIDPS4IB	Pulse Start Metal Halide	400w	46.0	M155	T1	25°C	125°C

*Not available in the U.S.

SPECIAL OPTIONS

- F - Fused Ballast (Not for marine use)
- W* - Dual Safety Cable Attachment Points
- 225 - 220v 50Hz
- 226 - 220v 60Hz
- 245 - 240v 50Hz
- 346 - 347v 60Hz
- 486 - 480v 60Hz

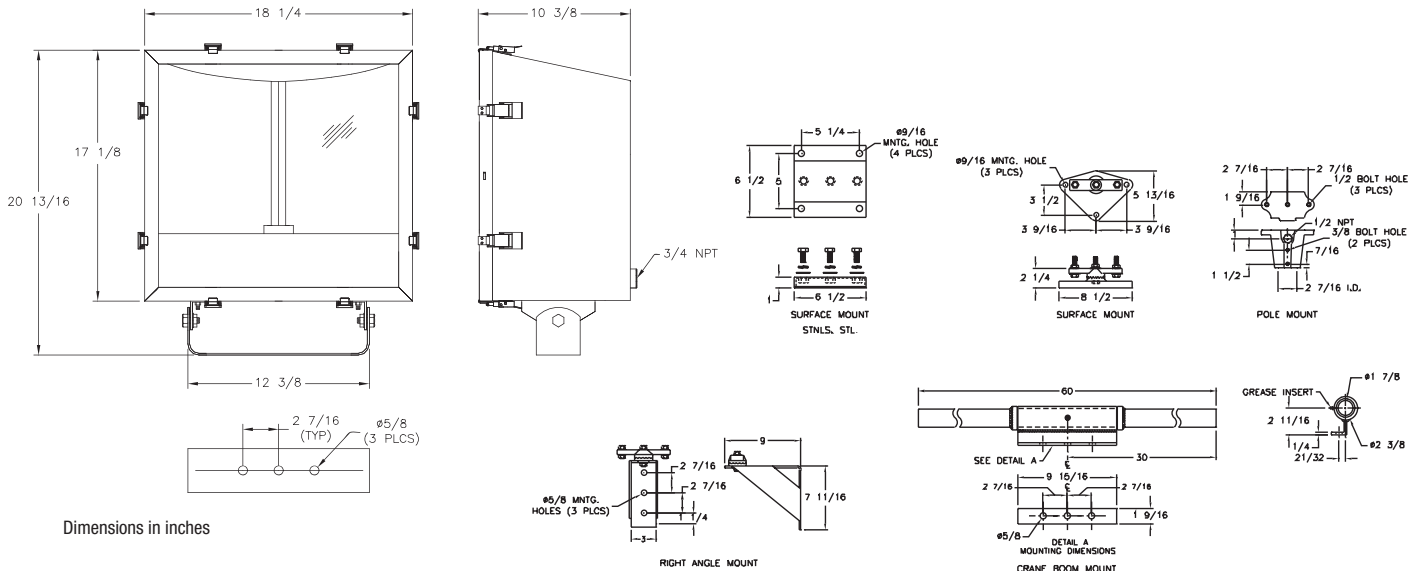
- RB* - Remote Ballast
- SP - Vibration Resistant Lamp Holder
- G* - Stainless Steel Guard
- CB* - Crane Boom Modified Housing (Includes option SP)
- TV* - Top Visor
- SV* - Top and Side Visor

*Cannot be field installed, specify at order placement.

SPARE PARTS

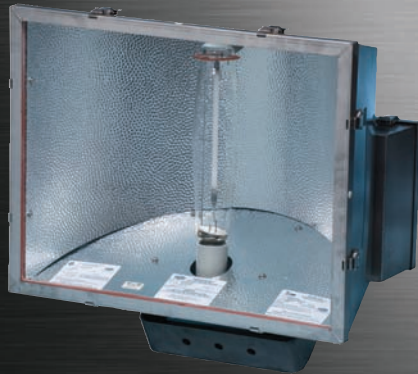
Part No.	Description
INX5021	BALLAST, High Pressure Sodium 250w
INX5019	BALLAST, High Pressure Sodium 400w
INX5102	BALLAST, Metal Halide 250w
INX5033	BALLAST, Metal Halide 400w
INX5245	BALLAST, Pulse Start Metal Halide 250w
INX5246	BALLAST, Pulse Start Metal Halide 400w
INX3546	LAMP, High Pressure Sodium 250w
INX3517	LAMP, High Pressure Sodium 400w
INX3541	LAMP, Metal Halide 250w
INX3524	LAMP, Metal Halide 400w
INX3733	LAMP, Pulse Start Metal Halide 250w
INX3734	LAMP, Pulse Start Metal Halide 400w
INX4004	LAMP HOLDER, HPS, PSMH
INX4100	LAMP HOLDER, MH
INX2153	LENS
INX9061	LENS FRAME W/GUARD
INX1065	GUARD
GKT6089-65	GASKET
INX7007SS	MOUNTING, Surface Stainless Steel
INX7006SS	MOUNTING, Pole Stainless Steel
INX7091	MOUNTING, Pole Stainless Steel (No cable feed thru)
INX7058S	MOUNTING, Right Angled
INX7001	MOUNTING, Crane Boom (Requires crane boom housing)
SC30H	SAFETY CABLE, 48" Stainless Steel, Snap Hook

DIMENSIONS



Stainless Steel - Hazardous Area Certified Lighting

HazFlood Goliath 2120/ss



FEATURES

- 1000w HID.
- Ballast gear housed in separate, attached enclosure. Allows for easy access and cool running operation.
- Field replaceable, thermal shock resistant tempered glass lens.
- High temperature silicone gaskets provide a watertight seal.
- Tool less entry via eight positive locking stainless steel latches.
- Captive lens frame with stainless steel door retainers for easy lamp replacement.
- Optional safety cable attachment points.
- Remote ballast available.
- Tested and approved over 180° aiming range, enabling face up through face down mounting.
- Very wide NEMA 7 x 7 beam spread.
- Optional vibration resistant lamp holder.
- Choice of mounting arrangements in surface, pole and crane boom (via a modified housing).

APPLICATIONS

- Hazardous locations
- Marine and watertight requirements
- Oil and gas exploration and production
- Petrochemical facilities
- Waste water treatment plants
- Pulp and paper production
- Aluminium processing facilities
- Salt and potash mines
- Corrosive environments
- Façade security lighting

APPROVALS

- Class I Division 2 Groups A, B, C & D
- Class I Zone 2 Groups IIA, IIB, IIB + H2 & IIC
- Type 4X
- Conforms to IP66
- Marine Outside Type Saltwater
- ABS

STANDARDS

- UL 844 - Hazardous Locations
- UL 1598A - Luminaires for Marine Vessels
- CSA Class 3428 83
- CSA Class 3428 03
- CSA - C22.2 No. 30-M1986
- CSA - C22.2 No. 213-M1987

TECHNICAL SPECIFICATIONS

HOUSING

Type 316 stainless steel.

WIND RATING

EPA - 5.39 at vertical.

LENS FRAME

Type 316 stainless steel.

MOUNTING BRACKETS

Type 316 stainless steel trunnion mount. Please see SPARE PARTS for additional selections.

REFLECTOR

Hammertone aluminum.

ENTRIES

One $\frac{3}{4}$ " NPT.

LENS

Tempered glass.

GASKETS

One piece silicone.

GUARD

Optional, type 316 stainless steel.

BALLAST

Standard: Multi-tap 120/208/240/277v 60Hz.

Optional: 220v, 347v, or 480v 60Hz, and 220v or 240v 50Hz.

Optional: Remote ballast suitable for use up to 50 feet from luminaire.

LAMP HOLDER

Mogul base, porcelain.

LAMP TYPES

High Pressure Sodium and Metal Halide. Luminaires supplied without lamps.

ORDERING REFERENCES

PART NUMBER	LAMP TYPE	WATTAGE	WEIGHT LBS	ANSI LAMP TYPE	T-CODE	AMBIENT TEMP	SUPPLY WIRE TEMP
NHIDLS10IB	High Pressure Sodium	1000W	91.0	S52	T1	40°C	75°C
NHIDHS10IB	Metal Halide	1000W	80.0	M47	T1	40°C	75°C

SPECIAL OPTIONS

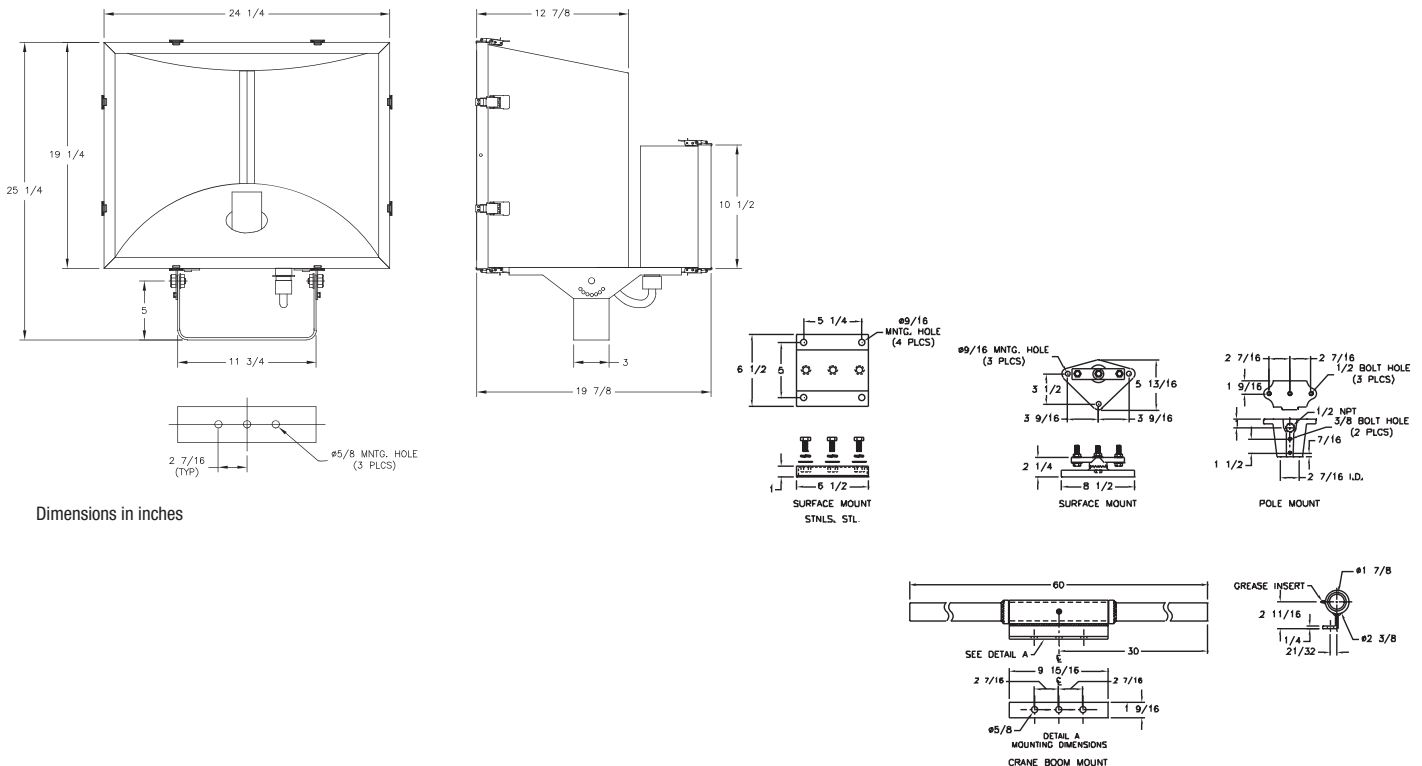
- 225 - 220v 50Hz
- 226 - 220v 60Hz
- 245 - 240v 50Hz
- 346 - 347v 60Hz
- 486 - 480v 60Hz
- G* - Stainless Steel Guard
- W* - Dual Safety Cable Attachment Points
- RB* - Remote Ballast
- SP - Vibration Resistant Lamp Holder
- CB* - Crane Boom Modified Housing (Includes option SP)

*Cannot be field installed, specify at order placement.

SPARE PARTS

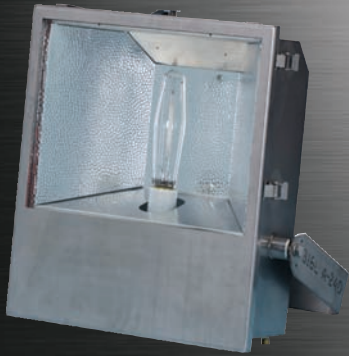
Part No.	Description	Part No.	Description
INX5027	MULTI TAP BALLAST, High Pressure Sodium	GKT6089-49	GASKET, Component Cover
INX5031	MULTI TAP BALLAST, Metal Halide	INX4004	LAMP HOLDER
INX5017	480V 60Hz BALLAST, High Pressure Sodium	INX7007SS	MOUNTING, Surface Stainless Steel
INX5032	480V 60Hz BALLAST, Metal Halide	INX7006SS	MOUNTING, Pole Stainless Steel
INX3530	LAMP, High Pressure Sodium	INX7091	MOUNTING, Pole Stainless Steel (No cable feed thru)
INX3567	LAMP, Metal Halide	INX7001	MOUNTING, Crane Boom (Requires crane boom housing)
INX2156	LENS	SC30H	SAFETY CABLE, 48" Stainless Steel, Snap Hook
GKT6089-81	GASKET, Lens		

DIMENSIONS



Z2

Z2Flood **Vulcan/ss**



FEATURES

- 150 - 400w HID.
- Suitable for T3 temperature code requirements at up to a 55°C ambient.
- Trunnion attachment points positioned at fixture balance point. Allows for crane boom mounting with optional bracket.
- Choice of mounting arrangements in surface, pole or wall.
- Integral safety cable attachment points.
- Field replaceable thermal shock resistant tempered glass lens.
- High temperature silicone gasket provides a watertight seal.
- Two 3/4" NPT entries for feed-through/looping wiring. M25 entry reducers available.
- Tested and approved over 180° aiming range, enabling face up through face down mounting.
- Tool less entry via eight stainless steel over the center cam latches.
- Captive lens frame with stainless steel door retainers for easy lamp replacement.
- Wide NEMA 6 x 6 beam spread, optional 5 x 5.

APPLICATIONS

- IEC/ATEX requirements
- T3 Hazardous locations
- Marine and watertight requirements
- Oil and gas exploration and production
- Petrochemical facilities
- Waste water treatment plants
- Pulp and paper production
- Aluminum processing facilities
- Salt and potash mines
- High ambient environments
- Corrosive environments

APPROVALS

- IEC Certificate
- ATEX Certificate
- Ex nR II T3
- Type 4X
- Certified IP66 and IP67
- ABS

STANDARDS

- ATEX Directive
- IEC - E60079-15

TECHNICAL SPECIFICATIONS

HOUSING/LENS FRAME

Type 316 stainless steel.

WIND RATING

EPA 4.38 at vertical.

MOUNTING BRACKET

Type 316 stainless steel trunnion bracket with a natural finish. Please see SPARE PARTS for additional selections.

REFLECTORS

Hammertone aluminum.

ENTRIES

Two 3/4" NPT. Reducer entries for M25 available.

LENS

Tempered glass.

GASKET

One piece silicone.

GUARD

Optional, type 316 stainless steel.

VISOR

Optional, top and side, type 316 stainless steel.

BALLAST

Standard: Multi-tap 120/208/240/277v 60 Hz.

Optional: 220v, 347v, or 480v 60Hz, and 220v or 240v 50Hz.

Optional: Remote ballast suitable for use up to 50 feet from luminaire.

LAMP HOLDER

Mogul base, porcelain.

LAMP TYPES

High Pressure Sodium, Metal Halide* and Pulse Start Metal Halide. Luminaires supplied without lamps.

*Not available in the U.S.

ORDERING REFERENCES

PART NUMBER	LAMP TYPE	WATTAGE	WEIGHT LBS	ANSI LAMP TYPE	ZONE 2 T-CODE**	AMBIENT TEMP	SUPPLY WIRE
RAFLS15IB	High Pressure Sodium	150w	47.5	S55	T3	40/55°C	90/110°C
RAFLS25IB	High Pressure Sodium	250w	56.0	S50	T3	40/55°C	90/110°C
RAFLS4IB	High Pressure Sodium	400w	58.5	S51	T3	40/55°C	90/110°C
RAFHS17IB*	Metal Halide	175w	51.5	M57	T3	40/55°C	90/110°C
RAFHS25IB*	Metal Halide	250w	50.5	M58	T3	40/55°C	90/110°C
RAFHS4IB*	Metal Halide	400w	56.5	M59	T3	40/55°C	90/110°C
RAFPS25IB	Pulse Start Metal Halide	250w	50.5	M153	T3	40/55°C	90/110°C
RAFPS4IB	Pulse Start Metal Halide	400w	56.5	M155	T3	40/55°C	90/110°C

*Not available in the U.S.

**Approved Class I, Zone 2, Ex nR II T3. Suitable for Class I Division 2 per NEC 501.5.

SPECIAL OPTIONS

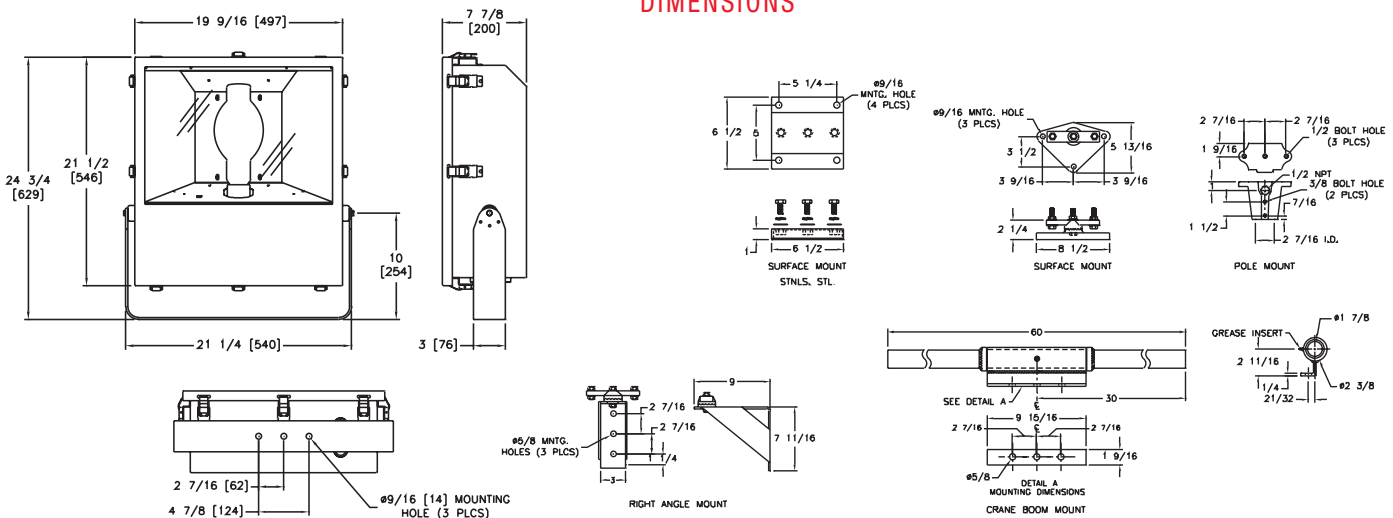
C	- Auxiliary Quartz Light (Light continuator)	-346	- 347v 60Hz
I	- Instant Restrike (Up to 150w High Pressure Sodium only)	-486	- 480v 60Hz
LI	- Instant Restrike Lamp (250w and 400w High Pressure Sodium only)	G*	- Stainless Steel Guard
-225	- 220v 50Hz	V*	- Top and Side Visor
-226	- 220v 60Hz	N	- Narrow NEMA 4 x 6 Beam Pattern
-245	- 240v 50Hz	L	- Lamp Included

SPARE PARTS

*Can not be field installed, specify at order placement.

Part No.	Description
INX5015	BALLAST, High Pressure Sodium 150w
INX5021	BALLAST, High Pressure Sodium 250w
INX5019	BALLAST, High Pressure Sodium 400w
INX5102	BALLAST, Metal Halide 250w
INX5033	BALLAST, Metal Halide 400w
INX5245	BALLAST, Pulse Start Metal Halide 250w
INX5246	BALLAST, Pulse Start Metal Halide 400w
INX3651	LAMP, High Pressure Sodium 150w
INX3546	LAMP, High Pressure Sodium 250w
INX3517	LAMP, High Pressure Sodium 400w
INX3541	LAMP, Metal Halide 250w
INX3524	LAMP, Metal Halide 400w
INX3733	LAMP, Pulse Start Metal Halide 250w
INX3734	LAMP, Pulse Start Metal Halide 400w
INX4004	LAMP HOLDER
INX2203	LENS
GKT5093	GASKET
INX1064	GUARD
INX6261	VISOR
INX6848	M25 CABLE ENTRY REDUCERS (set of 2)
INX7007SS	MOUNTING, Surface Stainless Steel
INX7006A	MOUNTING, Pole Aluminum
INX7006SS	MOUNTING, Pole Stainless Steel
INX7091	MOUNTING, Pole Stainless Steel (No cable feed-thru)
INX7058S	MOUNTING, Right Angled Wall Stainless Steel
INX7001	MOUNTING, Crane Boom Painted Steel
SC30H	SAFETY CABLE, 48" Stainless Steel, Snap Hook

DIMENSIONS













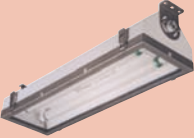














Dimensions in inches [millimeters]

NOTES

ALUMINUM

Professional Use Lighting

ProMax Linear Fluorescent	ProCor High Intensity Discharge	ProFlood Flood Lights	ProSpot Spot Lights	ProGuard Globe & Guard	ProMark Marker Lights
Apex/al - Pg. 70 	Optima 1000/al - Pg. 86 	Goliath 2000/al - Pg. 96 	746M/al - Pg. 108 	707/al - Pg. 114 	1158/1159/al - Pg. 136 
Summit/al - Pg. 74 	Optima 1010/al - Pg. 88 	Goliath 2010/al - Pg. 98 	749/al - Pg. 110 	717/718/al - Pg. 118 	POB/al - Pg. 140 
Radia/al - Pg. 78 	Optima 1020/al - Pg. 92 	Goliath 2020/al - Pg. 100 	740/741/al - Pg. 112 	Exacta/al - Pg. 122 (AC-Exacta) 	
Intrepid/al - Pg. 82 (FAS) 		Achiever QA/al - Pg. 102 		735/738/al - Pg. 126 	
		Achiever QC/al - Pg. 104 (Q Achiever clamp) 		729/730/al - Pg. 128 	
		Achiever QL/al - Pg. 106 (Q Achiever latch) 		767/al - Pg. 132 	
				1440/al - Pg. 134 	

(Previous Name)

Pro

ProMax Apex/al



FEATURES

- High output luminaire, up to 30,000 raw lumens.
- Fluorescent system provides energy savings up to 50% when compared to HID.
- Third party certified for operation in high ambient temperatures, up to 55°C (131°F).
- Multi voltage electronic ballast resistant to brownouts or voltage and frequency fluctuations.
- Debris shedding design. Peaked housing prevents particulates from collecting.
- One piece neoprene gasket provides a watertight seal.
- Optional high efficiency reflector up to 95% total reflectivity.
- Suspension style luminaire with feed-through hubs.
- USDA compliant materials.
- Meets Canadian Processed Products Regulations C.R.C., c.291.
- Optional, self contained emergency battery backup ballasts.
- Optional long life T5 lamps available upon request (consult factory).

APPLICATIONS

- High, mid & low bay
- Watertight requirements
- Dusttight requirements
- High pressure hose down areas
- Food & beverage processing facilities
- Pharmaceutical & additive formulation & processing
- Freezer and refrigeration
- Waste water treatment plants
- Industrial wash bays
- Warehouse/storage facilities

APPROVALS

- Type 4
- Conforms to IP66
- ABS
- NSF

STANDARDS

- UL 924 - Emergency Lighting Equipment
- UL 1598 - Luminaires
- CSA - C22.2 250 04
- Canadian Processed Products Regulations C.R.C., c.291
- CSA - C22.2 141
- NSF/ANSI 2-2007 Splash Zone

TECHNICAL SPECIFICATIONS

HOUSING

.062 thick, type 5052H32 aluminum with an electrostatically applied epoxy coated finish.

LENS FRAME

Type 6063 aluminum with an electrostatically applied epoxy coated finish.

LENS

Acrylic, optional polycarbonate and tempered glass.

REFLECTOR

Type 5052H32 aluminum with an electrostatically applied white polyester powder coat finish. Minimum 90% reflectance. High efficiency option, minimum 95% reflectance.

GASKET

One piece closed cell neoprene sponge.

HINGES

Stainless steel.

LAMP HOLDERS

Spring loaded on T5, T5HO and T8HO models. Locking sockets on T8 Bi-Pin models. Engineered plastics, no urea materials.

MOUNTING

Attachment points for cable or chain mount. Ceiling mounting kit available.

ENTRIES

1/2" or 3/4" NPT feed-through.

LAMP TYPES

See ORDERING REFERENCES. Lamps not provided.

BALLAST

120 to 277 volt 50/60 Hz electronic, optional 347v and 480v.

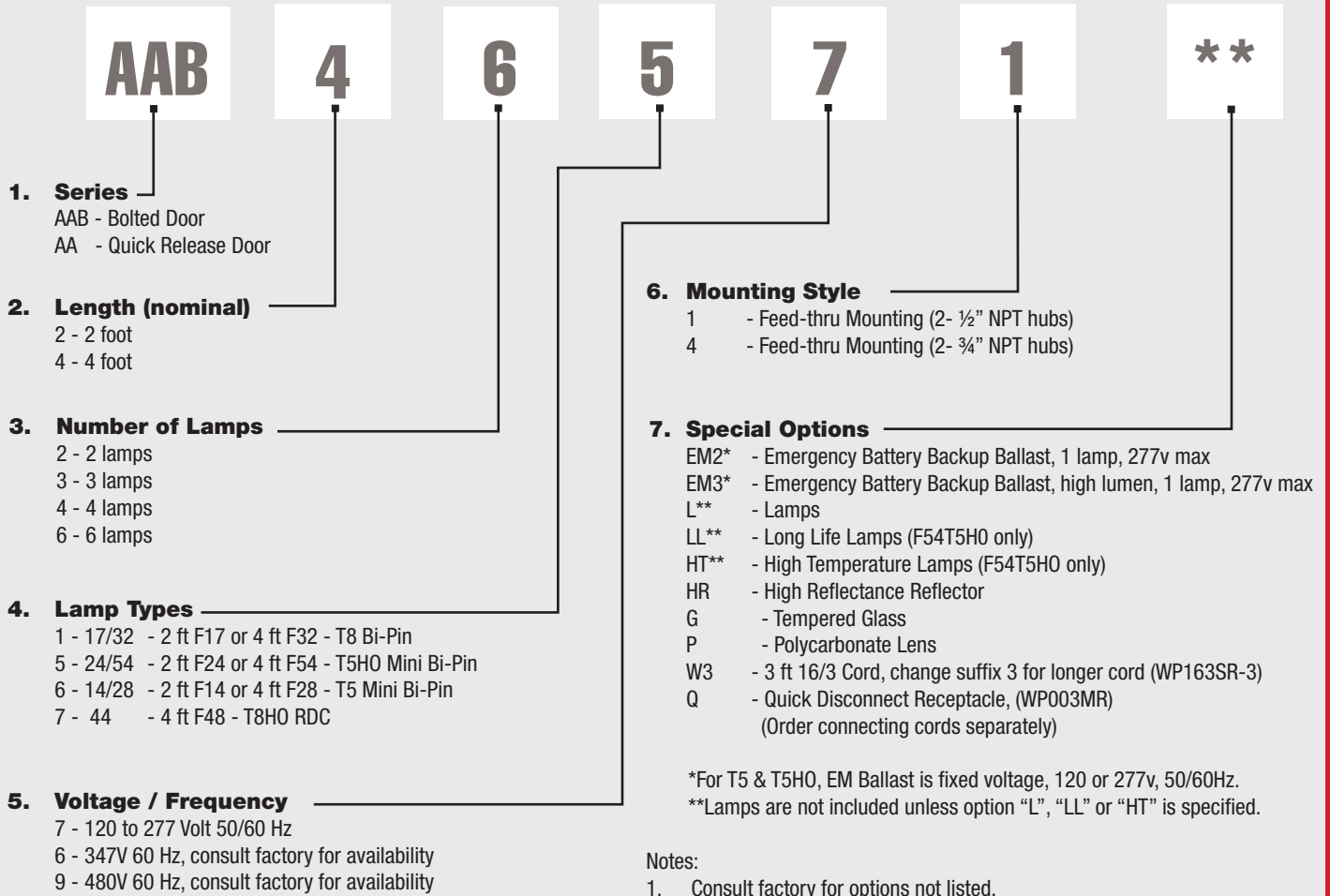
Lamp Wattage	Ballast/Socket Type	ANSI Lamp Code	Starting Temp	Maximum Ambient*	Supply Wire
17	T8 Bi-Pin G13	F17-T8	0° F / -18° C	55°C	90°C
32	T8 Bi-Pin G13	F32-T8	-20°F / -29°C	55°C	90°C
24/54	T5HO Mini Bi-Pin G5	F24/F54-T5HO	-20°F / -29°C	55°C	90°C
14/28	T5 Mini Bi-Pin G5	F14/F28-T5	0° F / -18° C	55°C	90°C
44	T8HO RDC R17d	F48-T8HO	-20°F / -29°C	55°C	90°C

* Consult factory for optional higher ambient models.

EMERGENCY BATTERY BACKUP BALLAST

Optional, self contained 90 minute minimum for all lamp types. 120 minutes minimum for F32T8 one lamp. Starting temperature 32°F/0°C.

ORDERING REFERENCES

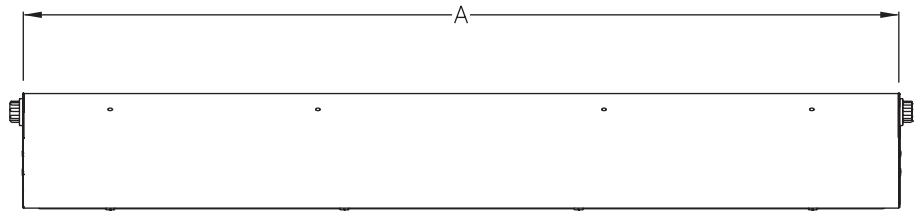
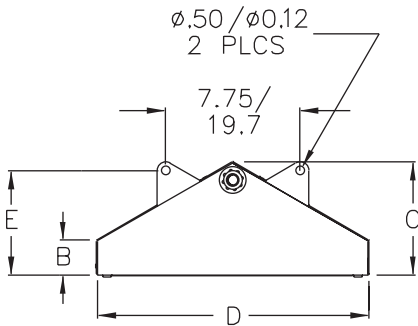


SPARE PARTS

Part No.	Description
FX5350	BALLAST 120-277V AC 50/60HZ, 1 x 14, F14T5
FX5350	BALLAST 120-277V AC 50/60HZ, 1 x 28, F28T5
FX5307	BALLAST 120-277V AC 50/60HZ, 1 x 24, F24T5HO
FX5305	BALLAST 120-277V AC 50/60HZ, 1 x 54, F54T5HO
FX5174	BALLAST 120-277V AC 50/60HZ, 1 x 17, F17T8
FX5221	BALLAST 120-277V AC 50/60HZ, 1 x 32, F32T8
FX5349	BALLAST 120-277V AC 50/60HZ, 1 x 44, F48T8HO
FX5350	BALLAST 120-277V AC 50/60HZ, 2 x 14, F14T5
FX5350	BALLAST 120-277V AC 50/60HZ, 2 x 28, F28T5
FX5307	BALLAST 120-277V AC 50/60HZ, 2 x 24, F24T5HO
FX5305	BALLAST 120-277V AC 50/60HZ, 2 X 54, F54T5HO
FX5340	BALLAST 120-277V AC 50/60HZ, 2 x 17, F17T8
FX5340	BALLAST 120-277V AC 50/60HZ, 2 x 32, F32T8
FX5349	BALLAST 120-277V AC 50/60HZ, 2 x 44, F48T8HO
FX5135U	EMERGENCY BATTERY BACKUP BALLAST, EM2, 120-277v, for T8 & T8HO models
FX5195U	EMERGENCY BATTERY BACKUP BALLAST, EM3, 120-277v, T8 & T8HO models
FX5316	EMERGENCY BATTERY BACKUP BALLAST, EM2/EM3, 120 or 277v, T5 & T5HO models
FX3573	LAMP, 14w, F14T5
FX3574	LAMP, 28w, F28T5
FX3568	LAMP, 24w, F24T5HO
FX3567	LAMP, 54w, F54T5HO
FX3577	LAMP, 54w Long Life F54T5HO
FX3567HT	LAMP, 54w, F54T5HO
FX3528	LAMP, 17w, F17T8
FX3527	LAMP, 32w, F32T8
FX3565	LAMP, 44w, F48T8HO
FX2242	LENS, 4ft. models
FX2241	LENS, 2ft. models
GKT6124-115	GASKET, 4ft. models
GKT6124-69	GASKET, 2ft. models
FX8116SS	LATCHES, 4ft. models
FX4064F	LAMP HOLDER, stationary for T5 models
FX4064P	LAMP HOLDER, spring loaded for T5 models
FX4004	LAMP HOLDER, stationary for T8HO models
FX4005	LAMP HOLDER, spring loaded for T8HO models
FX4048	LAMP HOLDER, stationary for T8 models

ProMax Apex/al

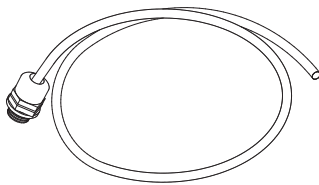
DIMENSIONS



Nominal Length	Dimensions in Inches / Centimeters					Carton L x W x D Inches	Nominal Weight	
	A	B	C	D	E		Lbs	Kg
2 Foot	26.59 / 67.5	2.0 / 5.1	6.53 / 16.6	15.72 / 39.9	6.0 / 15.2	28¾ x 16¾ x 7½	19	8.6
4 Foot	50.59 / 128.5	2.0 / 5.1	6.53 / 16.6	15.72 / 39.9	6.0 / 15.2	53 x 16¾ x 7½	32	14.5

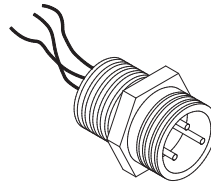
Add 1 lb for 3 or 4 lamps. Add 2 lbs for 5 and 6 lamps.

ACCESSORIES



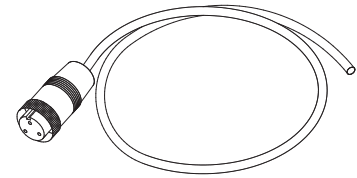
WP163SR-6

Cord assembly - strain relief connector and 6 feet of #16/3 cable. If longer cable required change suffix "6" to length needed.



WP003MR

Quick disconnect receptacle. Required when #WP163FP-6 is used.

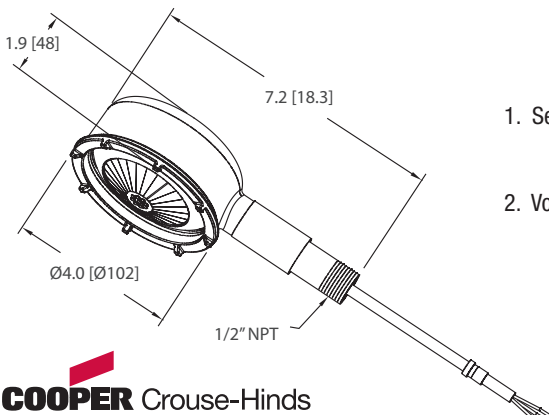


WP163FP-6

Cord assembly - molded plug & 6 feet of #16/3 cable. If longer cable required change suffix "6" to length needed.

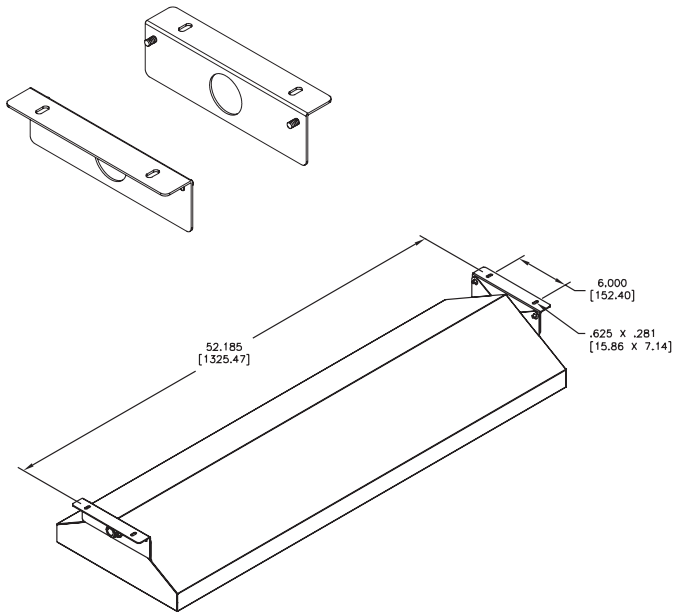
OCCUPANCY SENSOR KIT

Example: HBOS 35 M S



- Series
HBOS
- Voltage
33 – 208/240 VAC
34 – 347/480 VAC
35 – 120/277 VAC
- Lens Type
N – Narrow Linear Pattern Aisle Way Lens
M – Medium range 24 ft coverage, 20 ft mounting height
W – Wide range 68 ft coverage, 40 ft mounting height
- Extension Attachment Material
A – Aluminum
S – Stainless Steel

MOUNTING OPTIONS



Dimensions in inches [mm]

FX7091

Ceiling Mount Brackets.

Attaches to the suspension ears of the fixture, with the nuts and washers provided.

Pro

ProMax Summit/al



FEATURES

- High output luminaire, up to 30,000 raw lumens.
- Fluorescent system provides energy savings up to 50% when compared to HID.
- Third party certified for operation in high ambient temperatures, up to 55°C (131°F).
- Multi voltage electronic ballast resistant to brownouts or voltage and frequency fluctuations.
- One piece neoprene gasket provides a watertight seal.
- Optional high efficiency reflector up to 95% total reflectivity.
- Pendant, feed-through or combination mounting styles.
- USDA compliant materials.
- Meets Canadian Processed Products Regulations C.R.C., c.291.
- Optional, self contained emergency battery backup ballast.
- Optional long life T5 lamps available upon request (consult factory).

APPLICATIONS

- High, mid & low bay
- High pressure hose down areas
- Food & beverage processing facilities
- Freezer and refrigeration
- Waste water treatment plants
- Pharmaceutical & additive formulation & processing
- Watertight requirements
- Dusttight requirements
- Industrial wash bays
- Warehouse/storage facilities

APPROVALS

- Type 4
- Conforms to IP66
- ABS
- NSF

STANDARDS

- UL 924 - Emergency Lighting Equipment
- UL 1598 - Luminaires
- CSA - C22.2 250 04
- Canadian Processed Products Regulations C.R.C., c.291
- CSA - C22.2 141
- NSF/ANSI 2-2007 Splash Zone

TECHNICAL SPECIFICATIONS

HOUSING

.062 thick, type 5052H32 aluminum with an electrostatically applied epoxy coated finish.

LENS FRAME

Type 6063 aluminum with an electrostatically applied epoxy coated finish.

LENS

Acrylic, optional polycarbonate and tempered glass.

REFLECTOR

Type 5052H32 aluminum with an electrostatically applied white polyester powder coat finish. Minimum 90% reflectance. High efficiency option, minimum 95% reflectance.

GASKET

One piece closed cell neoprene sponge.

HINGES

Stainless steel.

LAMP HOLDERS

Spring loaded on T5, T5HO and T8HO models. Locking sockets on T8 Bi-Pin models. Engineered plastics, no urea materials.

MOUNTING

See ORDERING REFERENCES and MOUNTING OPTIONS for details.

ENTRIES

1/2" or 3/4" NPT feed-through, pendant or combination.

LAMP TYPES

See ORDERING REFERENCES. Lamps not provided.

BALLAST

120 to 277 volt 50/60 Hz electronic, 347v or 480v optional.

Lamp Wattage	Ballast/Socket Type	ANSI Lamp Code	Starting Temp	Maximum Ambient*	Supply Wire
17	T8 Bi-Pin G13	F17-T8	0°F / -18°C	55°C	90°C
32	T8 Bi-Pin G13	F32-T8	-20°F / -29°C	55°C	90°C
24/54	T5HO Mini Bi-Pin G5	F24/F54-T5HO	-20°F / -29°C	55°C	90°C
14/28	T5 Mini Bi-Pin G5	F14/F28-T5	0°F / -18°C	55°C	90°C
44	T8HO RDC R17d	F48-T8HO	-20°F / -29°C	55°C	90°C

* Consult factory for optional higher ambient models.

EMERGENCY BATTERY BACKUP BALLAST

Optional, self contained 90 minute minimum for all lamp types. 120 minutes minimum for F32T8 one lamp. Starting temperature 32°F/0°C.

ORDERING REFERENCES



1. Series

EAB - Bolted Door
EA - Quick Release Door

2. Length (nominal)

2 - 2 foot
4 - 4 foot

3. Number of Lamps

2 - 2 lamps
3 - 3 lamps
4 - 4 lamps
6 - 6 lamps

4. Lamp Types

1 - 17/32 2 ft F17 or 4 ft F32 - T8 Bi-Pin
5 - 24/54 2 ft F24 or 4 ft F54 - T5HO Mini Bi-Pin
6 - 14/28 2 ft F14 or 4 ft F28 - T5 Mini Bi-Pin
7 - 44 4 ft F48 - T8HO RDC

5. Voltage / Frequency

7 - 120 to 277 Volt 50/60 Hz
6 - 347v 60 Hz, consult factory for availability
9 - 480v 60 Hz, consult factory for availability

6. Mounting Style

0 - Pendant Mounting (2- 1/2" NPT hubs)
1 - Feed-thru Mounting (2- 1/2" NPT hubs)
2 - Pendant / Feed-thru Mounting (4- 1/2" NPT hubs)
3 - Pendant Mounting (2- 3/4" NPT hubs)
4 - Feed-thru Mounting (2- 3/4" NPT hubs)
5 - Pendant / Feed-thru Mounting (4- 3/4" NPT hubs)
(Adjustable, wall & chain brackets shown in MOUNTING KITS)

7. Special Options

EM2* - Emergency Battery Backup Ballast, 1 lamp, 277v max
EM3* - Emergency Battery Backup Ballast, high lumen, 1 lamp, 277v max
L** - Lamps
LL** - Long Life Lamps (F54T5HO only)
HT** - High Temperature Lamps (F54T5HO only)
HR - High Reflectance Reflector
G - Tempered Glass
P - Polycarbonate Lens
W3 - 3 ft 16/3 Cord, change suffix 3 for longer cord (WP163SR-3)
Q - Quick Disconnect Receptacle, (WP003MR)
(Order connecting cords separately)

*For T5 & T5HO, EM Ballast is fixed voltage, 120 or 277v, 50/60Hz.

**Lamps are not included unless option "L", "LL" or "HT" is specified.

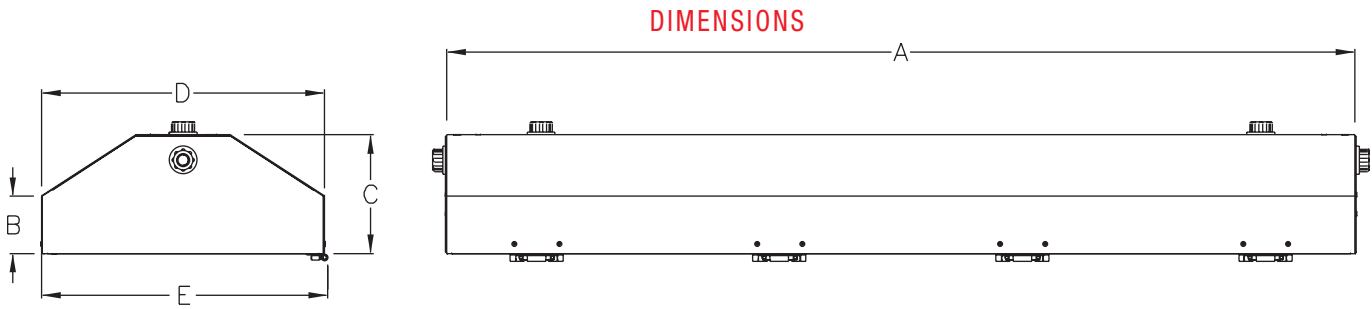
Notes:

1. Consult factory for options not listed.

SPARE PARTS

Part No.	Description	Part No.	Description
FX5350	BALLAST 120-277V AC 50/60HZ, 1 x 14, F14T5	FX3574	LAMP, 28w, F28T5
FX5350	BALLAST 120-277V AC 50/60HZ, 1 x 28, F28T5	FX3568	LAMP, 24w, F24T5HO
FX5307	BALLAST 120-277V AC 50/60HZ, 1 x 24, F24T5HO	FX3567	LAMP, 54w, F54T5HO
FX5305	BALLAST 120-277V AC 50/60HZ, 1 x 54, F54T5HO	FX3577	LAMP, 54w Long Life F54T5HO
FX5174	BALLAST 120-277V AC 50/60HZ, 1 x 17, F17T8	FX3567HT	LAMP, 54w, F54T5HO
FX5221	BALLAST 120-277V AC 50/60HZ, 1 x 32, F32T8	FX3528	LAMP, 17w, F17T8
FX5349	BALLAST 120-277V AC 50/60HZ, 1 x 44, F48T8HO	FX3527	LAMP, 32w, F32T8
FX5350	BALLAST 120-277V AC 50/60HZ, 2 x 14, F14T5	FX3565	LAMP, 44w, F48T8HO
FX5350	BALLAST 120-277V AC 50/60HZ, 2 x 28, F28T5	FX2242	LENS, 4ft. models
FX5307	BALLAST 120-277V AC 50/60HZ, 2 x 24, F24T5HO	FX2241	LENS, 2ft. models
FX5305	BALLAST 120-277V AC 50/60HZ, 2 x 54, F54T5HO	GKT6124-115	GASKET, 4ft. models
FX5340	BALLAST 120-277V AC 50/60HZ, 2 x 17, F17T8	GKT6124-69	GASKET, 2ft. models
FX5340	BALLAST 120-277V AC 50/60HZ, 2 x 32, F32T8	FX8116SS	HINGES, 4ft. models
FX5349	BALLAST 120-277V AC 50/60HZ, 2 x 44, F48T8HO	FX4064F	LAMP HOLDER, stationary for T5 models
FX5135U	EMERGENCY BATTERY BACKUP BALLAST, EM2, 120-277v, T8 & T8HO models	FX4064P	LAMP HOLDER, spring loaded for T5 models
FX5195U	EMERGENCY BATTERY BACKUP BALLAST, EM3, 120-277v, T8 & T8HO models	FX4004	LAMP HOLDER, stationary for T8HO models
FX5316	EMERGENCY BATTERY BACKUP BALLAST, EM2/EM3, 120 or 277v, T5 & T5HO models	FX4005	LAMP HOLDER, spring loaded for T8HO models
FX3573	LAMP, 14w, F14T5	FX4048	LAMP HOLDER, stationary for T8 models

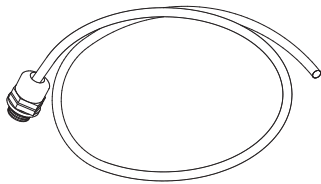
ProMax Summit/al



Nominal Length	Dimensions in Inches / Centimeters					Carton L x W x D Inches	Nominal Weight	
	A	B	C	D	E		Lbs	Kg
2 Foot	26.59 / 67.5	3.2 / 8.1	6.59 / 16.7	15.72 / 39.9	15.92 / 40.4	28 ¾ x 16 ¾ x 7 ½	21	9.5
4 Foot	50.59 / 128.5	3.2 / 8.1	6.59 / 16.7	15.72 / 39.9	15.92 / 40.4	53 x 16 ¾ x 7 ½	34	15.4

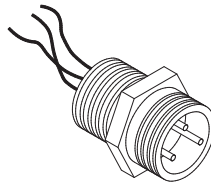
Add 1 lb for 3 or 4 lamps. Add 2 lbs for 5 and 6 lamps.

ACCESSORIES



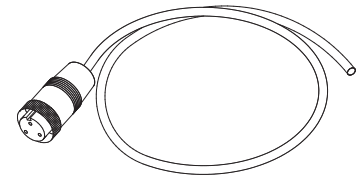
WP163SR-6

Cord assembly - strain relief connector and 6 feet of #16/3 cable. If longer cable required change suffix "6" to length needed.



WP003MR

Quick disconnect receptacle. Required when #WP163FP-6 is used.

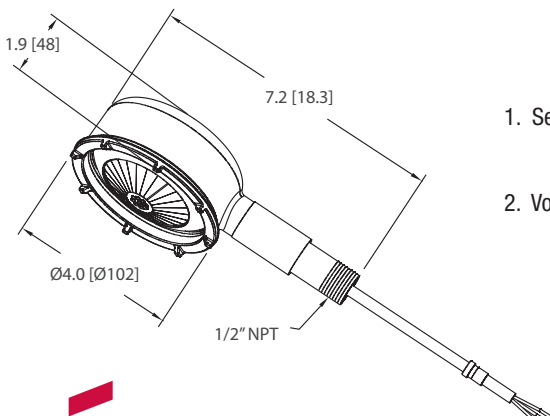


WP163FP-6

Cord assembly - molded plug & 6 feet of #16/3 cable. If longer cable required change suffix "6" to length needed.

OCCUPANCY SENSOR KIT

Example: HBOS 35 M S



1. Series

HBOS

2. Voltage

33 - 208/240 VAC
 34 - 347/480 VAC
 35 - 120/277 VAC

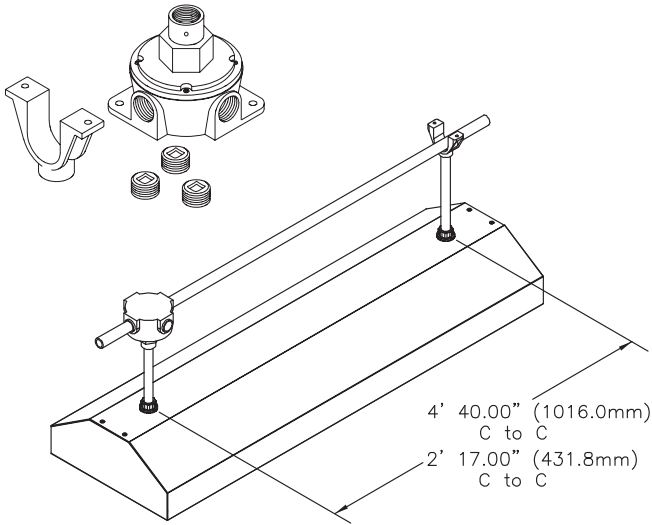
3. Lens Type

N - Narrow Linear Pattern Aisle Way Lens
 M - Medium range 24 ft coverage, 20 ft mounting height
 W - Wide range 68 ft coverage, 40 ft mounting height

4. Extension Attachment Material

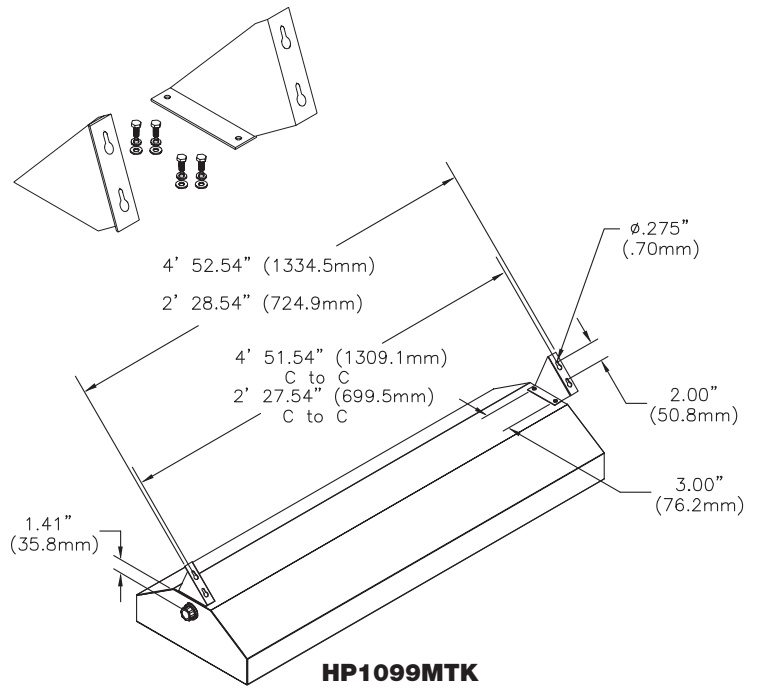
A - Aluminum
 S - Stainless Steel

MOUNTING OPTIONS



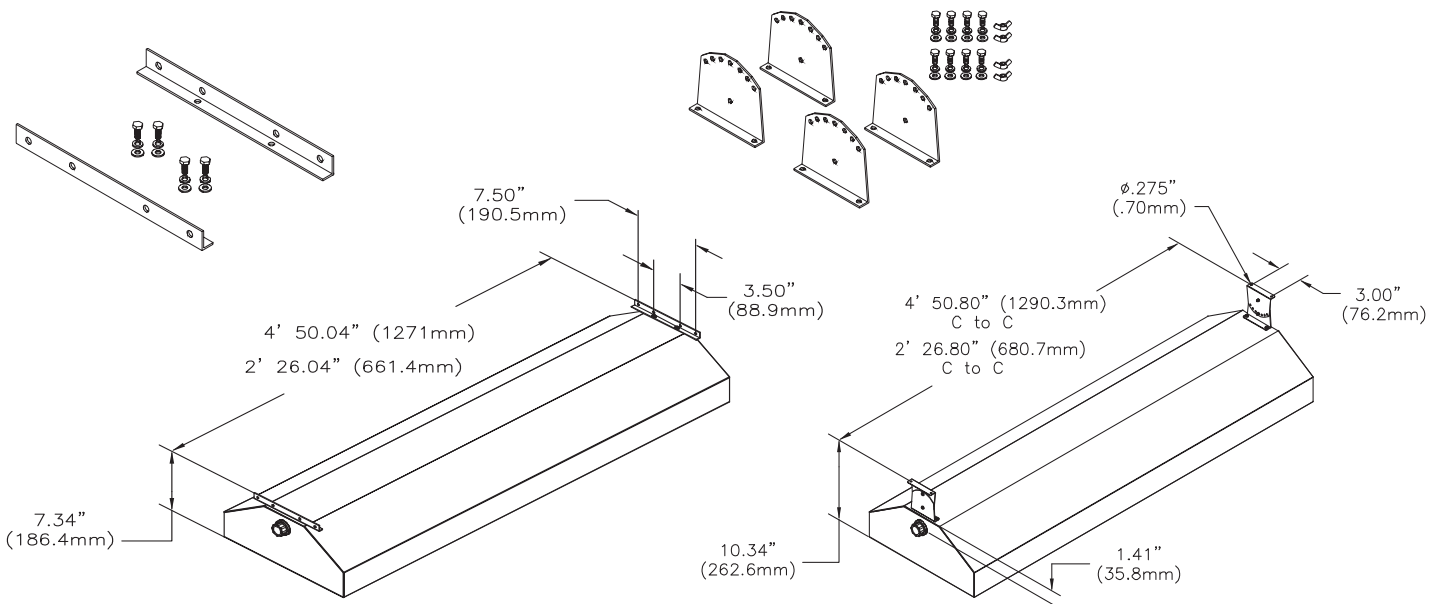
HP1095MTK
 Pendant kit.

Consists of 1 saddle strap and one universal junction box & cover (3/4" NPT hubs).



HP1099MTK
 Fixed wall mounting kit.

Consisting of 2 angled stainless steel wall brackets & hardware to mount brackets to fixture.



HP1093MTK
 Chain/cable mounting kit.

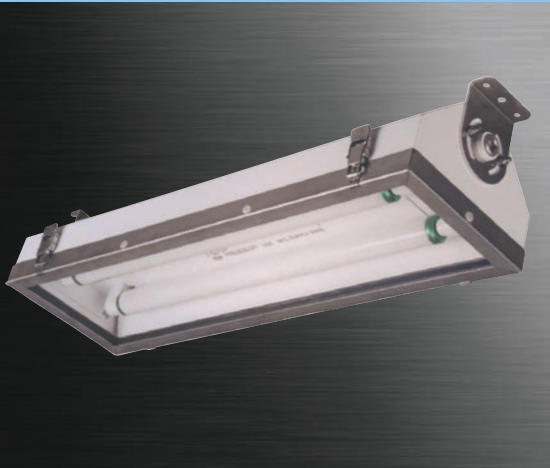
Consisting of 2 stainless steel chain brackets & hardware to mount brackets to fixture.

HP1097MTK
 Adjustable mounting kit.

Consisting of 2 pairs of stainless steel brackets & hardware to mount brackets to fixture.

Pro

ProMax Radia/al



FEATURES

- Fluorescent system provides energy savings up to 50% when compared to HID.
- Multi voltage electronic ballast resistant to brownouts or voltage and frequency fluctuations.
- Field replaceable stainless steel lens frame and latches.
- Flat or drop style lens versions with wide beam lumen dispersions of 140 to over 180 degrees.
- Lens frame hinged on side for easy lamp replacement.
- Adjustable mounting brackets allow 110° range of mounting positions.
- ShocLoc™ Bi-Pin spring loaded lamp holders for T5, T8 and T12 lamp types, provide superior resistance to shock and vibration.
- Standard wall/ceiling mount style can be rotated on longitudinal axis for optimum light positioning.
- Neoprene gasket resists petroleum.
- Optional self contained emergency battery backup ballasts.
- Optional long life T5 lamps available upon request (consult factory).

APPLICATIONS

- Marine & watertight requirements
- Dusttight requirements
- Waste water treatment plants
- Industrial wash pits
- Pharmaceutical & additives formulation & processing

APPROVALS

- Type 4
- IP66
- ABS

STANDARDS

- UL 924 - Emergency Lighting Equipment
- UL 1598 - Luminaires
- EN 60529 -Ingress Protection
- CSA - C22.2 250-04
- CSA - C22.2 141

TECHNICAL SPECIFICATIONS

HOUSING

.062 inch thick, type 5052H32 aluminum with an electrostatically applied polyester powder coat finish.

LENS

0.125 inch thick, polycarbonate flat lens. Optional tempered glass flat lens or DR acrylic drop lens.

REFLECTOR

Type 5052H32 aluminum with an electrostatically applied white polyester powder coat finish. Minimum 90% reflectance.

GASKET

One piece neoprene.

MOUNTING

Adjustable aluminum surface mount brackets.

LATCHES

Stainless steel positive-locking spring loaded.

LENS FRAME

304 type stainless steel, hinged on side.

LAMP HOLDERS

Spring loaded on one end for linear lamp types.

ENTRIES

¼" NPT feed-through outlets, one plugged.

LAMP TYPES

See ORDERING REFERENCES. Lamps not provided.

BALLAST

120 to 277 volt 50/60 Hz electronic, optional 347v and 480v.

Lamp Wattage	Ballast/Socket Type	ANSI Lamp Code	Starting Temp	Maximum Ambient*	Supply Wire
17	T8 Bi-Pin G13	F17-T8	0°F / -18°C	55°C	90°C
32	T8 Bi-Pin G13	F32-T8	-20°F / -29°C	55°C	90°C
40	4 Pin 2G11	FT40-CF	0°F / -18°C	55°C	90°C
24/54	T5HO Mini Bi-Pin G5	F24/F54-T5HO	-20°F / -29°C	55°C	90°C
14/28	T5 Mini Bi-Pin G5	F14/F28-T5	0°F / -18°C	55°C	90°C
44	T8HO RDC R17d	F48-T8HO	-20°F / -29°C	40°C	90°C
35/60	T12HO RDC R17d	F24/F48-T12HO	-20°F / -29°C	40°C	90°C
80	4 Pin 2G11	FT80-CF	0°F / -18°C	40°C	90°C

*Consult factory for optional higher ambient models.

EMERGENCY BATTERY BACKUP BALLAST

Optional, self contained 90 minute minimum for all lamp types. 120 minutes minimum for F32T8 one lamp. Starting temperature 32°F/0°C.

ORDERING REFERENCES

ARA
4
2
1
7
0
**

1. Series
ARA - Flat lens
ARAD - Drop lens

2. Length (nominal)
2 - 2 foot
4 - 4 foot

3. Number of Lamps
1 - 1 lamp
2 - 2 lamps
3 - 3 lamps, Lamp Type 1, 5, 6, 7 & 8
4 - 4 lamps, 4 ft, Lamp Type 2 only

4. Lamp Types
1 - 17/32 - 2 ft F17 or 4 ft F32 - T8 Bi-Pin
2 - 40 - 2 ft FT40 - CF 2G11
5 - 24/54 - 2 ft F24 or 4 ft F54 - T5HO Mini Bi-Pin
6 - 14/28 - 2 ft F14 or 4 ft F28 - T5 Mini Bi-Pin
7 - 44 - 4 ft F48 - T8HO RDC
8 - 35/60 - 2 ft F24 or 4 ft F48 - T12HO RDC
9 - 80 - 2 ft FT80 - CF 2G11 2 lamp maximum

5. Voltage / Frequency
7 - 120 to 277 Volt 50/60 Hz (Not for Lamp Type 9)
6 - 347 Volt 60 Hz, consult factory for availability
9 - 480 Volt 60 Hz, consult factory for availability

6. Mounting Style
0 - End Mounting - Standard wall/ceiling mounting kit included
1 - End Mounting - Surface wall/ceiling mounting kit included
2 - Pendant Mount - Via 3/4" NPT hubs. See HP1095MTK for optional mounting kit.

7. Special Options
EM2* - Emergency Battery Backup Ballast, 1 lamp, 277v max
EM3* - Emergency Battery Backup Ballast, high lumen, 1 lamp, 277v max
EMT2* - Emergency Battery Backup Ballast, 1 lamp, 277v max, test switch
EMT3* - Emergency Battery Backup Ballast, high lumen, 1 lamp, 277v max, test switch
L** - Lamps
LL** - Long Life Lamps (F54T5HO only)
P - Polycarbonate Lens (Standard on flat lens model)
TG - Tempered Glass Lens (Flat lens model only)
W - Dual Safety Cable Attachment Points
T - Multi Point Terminal Block
SM - Shock Mount

*For T5 & T5HO, EM Ballast is fixed voltage, 120 or 277v, 50/60Hz.
**Lamps are not included unless option "L" or "LL" is specified.

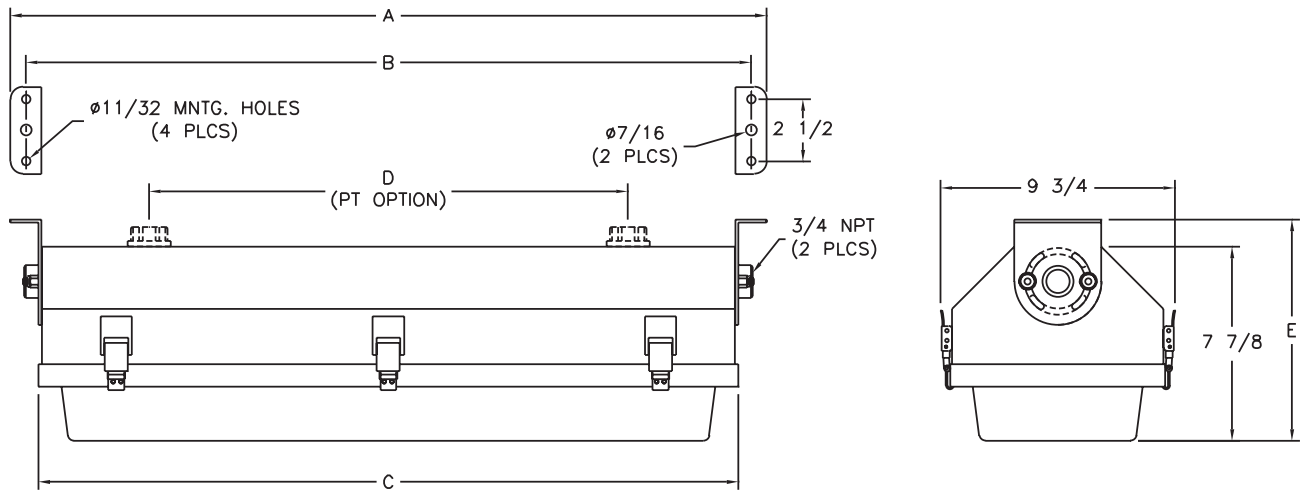
Notes:
1. Consult factory for options not listed.

SPARE PARTS

Part No.	Description	Part No.	Description	Part No.	Description
FX5350	BALLAST 120-277V AC 50/60HZ, 1 x 14, F14T5	FX5340	BALLAST 120-277V AC 50/60HZ, 2 x 32, F32T8	FX3533	LAMP, 40w CF, FT40 2G11
FX5350	BALLAST 120-277V AC 50/60HZ, 1 x 28, F28T5	FX5349	BALLAST 120-277V AC 50/60HZ, 2 x 44, F48T8HO	FX3570	LAMP, 80w, FT80 2G11
FX5307	BALLAST 120-277V AC 50/60HZ, 1 x 24, F24T5HO	FX5334	BALLAST 120-277V AC 50/60HZ, 2 x 35, F24T12HO	FX2134	FLAT LENS, Polycarbonate, 2ft. models
FX5305	BALLAST 120-277V AC 50/60HZ, 1 x 54, F54T5HO	FX5334	BALLAST 120-277V AC 50/60HZ, 2 x 60, F48T12HO	FX2135	FLAT LENS, Polycarbonate, 4ft. models
FX5174	BALLAST 120-277V AC 50/60HZ, 1 x 17, F17T8	FX5272	BALLAST 120-277V AC 50/60HZ, 2 x 40 CF, FT40 2G11	FX2136	DROP LENS, DR Acrylic, 2ft. models
FX5221	BALLAST 120-277V AC 50/60HZ, 1 x 32, F32T8	FX5135U	EMERGENCY BATTERY BACKUP BALLAST, EM2/EMT2, 120-277v, CF, T8, T8HO, & T12HO	FX2137	DROP LENS, DR Acrylic, 4ft. models
FX5349	BALLAST 120-277V AC 50/60HZ, 1 x 44, F48T8HO	FX5195U	EMERGENCY BATTERY BACKUP BALLAST, EM3/EMT3, 120-277v, CF, T8, T8HO, & T12HO	GKT6088-69.5	GASKET, 2 ft. models
FX5334	BALLAST 120-277V AC 50/60HZ, 1 x 35, F24T12HO	FX5316	EMERGENCY BATTERY BACKUP BALLAST, EM2/EMT2/EM3/EMT3, 120 or 277v, T5 & T5HO	GKT6088-117.5	GASKET, 4 ft. models
FX5334	BALLAST 120-277V AC 50/60HZ, 1 x 60, F48T12HO	FX3573	LAMP, 14w, F14T5	FX7031A	MOUNT, Wall
FX5272	BALLAST 120-277V AC 50/60HZ, 1 x 40 CF, FT40 2G11	FX3574	LAMP, 28w, F28T5	FX7027A	MOUNT, Standard
FX5335	BALLAST 120-277V AC 50/60HZ, 1 x 80, FT80 2G11	FX3568	LAMP, 24w, F24T5HO	FX7022A	MOUNT, Surface
FX5350	BALLAST 120-277V AC 50/60HZ, 2 x 14, F14T5	FX3567	LAMP, 54w, F54T5HO	FX7023	MOUNT, Pipe Mount Kit
FX5350	BALLAST 120-277V AC 50/60HZ, 2 x 28, F28T5	FX3577	LAMP, 54w, Long Life F54T5HO	FX7025	MOUNT, Chain Mount Kit
FX5307	BALLAST 120-277V AC 50/60HZ, 2 x 24, F24T5HO	FX3528	LAMP, 17w, F17T8	FX7004A	MOUNT, Shock Mount
FX5305	BALLAST 120-277V AC 50/60HZ, 2 x 54, F54T5HO	FX3527	LAMP, 32w, F32T8	FX7028	BEAM CLAMP KIT, Beam clamps (2), Safety Cable & Cable Gland
FX5340	BALLAST 120-277V AC 50/60HZ, 2 x 17, F17T8	FX3565	LAMP, 44w, F48T8HO	FX4004	LAMP HOLDER, Stationary, 35w, 44w, 60w
		FX3507	LAMP, 35w, F24T12HO	FX4005	LAMP HOLDER, Spring, 35w, 44w, 60w
		FX3505	LAMP, 60w, F48T12HO	FX4008	LAMP HOLDER, Stationary, 14w, 17w, 24w, 28w, 32w, 54w
				FX4009	LAMP HOLDER, Spring, 14w, 17w, 24w, 28w, 32w, 54w
				FX4043	LAMP HOLDER, Stationary, 40w CF
				N/A	LAMP HOLDER, Spring, 40w CF

ProMax **Radial**

DIMENSIONS

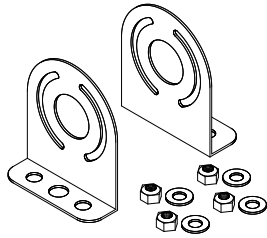


Nominal Length	Dimensions in Inches / Centimeters						Carton W x D x L Inches		Nominal Weight	
	A	B	C	D	E1	E2	E1	E2	Lbs	Kg
2 Foot	31.5 / 80.01	30.25 / 76.84	29.25 / 74.30	25.88 / 65.72	9.0 / 22.86	6.0 / 15.24	10 x 6 x 31 $\frac{3}{4}$	10 x 8 x 32	15	6.8
4 Foot	55.5 / 140.97	54.25 / 137.80	53.25 / 135.26	36.0 / 91.44	9.0 / 22.86	6.0 / 15.24	10 x 6 x 56 $\frac{5}{8}$	10 x 8 x 56	23	10.4

Dimension "E1" is for drop style lens. Dimension "E2" is for flat style lens.

Add 1 lb for 3 or 4 lamp.

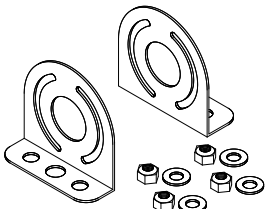
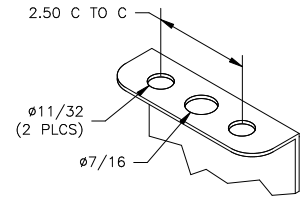
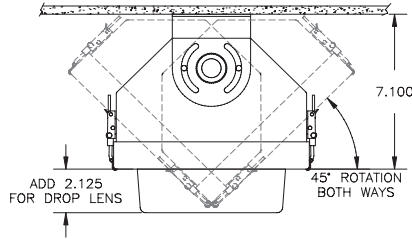
MOUNTING OPTIONS



FX7027A

Standard Wall/Ceiling Mounting Kit
2 aluminum brackets and mounting hardware.
Adjustable swivel mount.

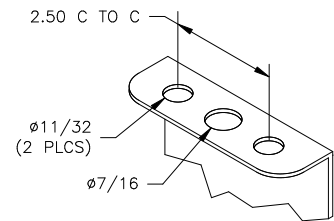
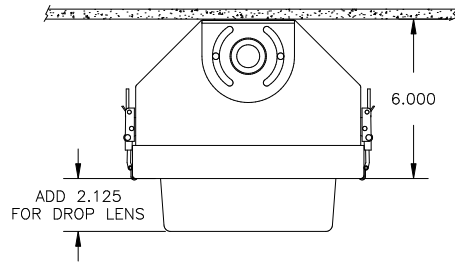
Standard Wall/Ceiling Mounting Kit



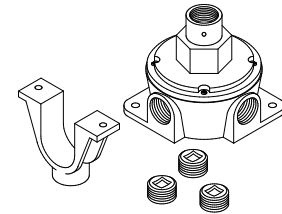
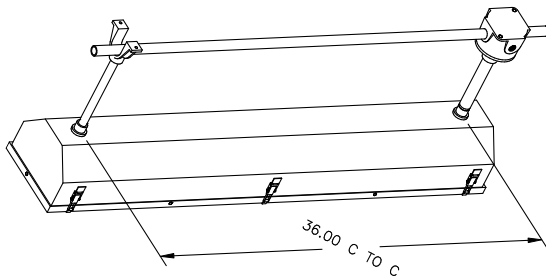
FX7022A

Surface Wall/Ceiling Mounting Kit
2 aluminum brackets and mounting hardware.
Flush mount.

Surface Wall/Ceiling Mounting Kit



Pendant Mount Kit



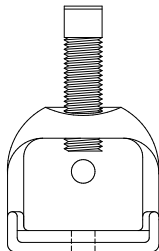
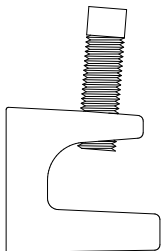
HP1095MTK

Pendant Kit
1 saddle strap and one universal aluminum junction box & cover. (3/4" NPT hubs).

Beam Clamp Kit

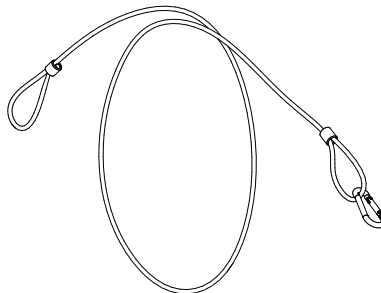
FX7028

Includes Beam Clamps (2), Safety Cable & Cable Gland



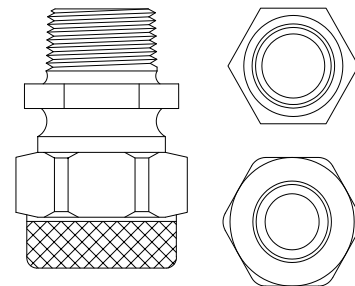
BC2K

2 Beam Clamp Kit.
For use with surface mount.



SC30H

48" stainless steel Safety Cable with snap hook.



CX1502

Cable Gland 3/4" aluminum,
cord grip range .438 - .562.

Pro

ProMax Intrepid/al



FEATURES

- Fluorescent system provides energy savings up to 50% when compared to HID.
- Third party certified for operation in high ambient temperatures, up to 65°C (149°F).
- Multi voltage electronic ballast resistant to brownouts or voltage and frequency fluctuations.
- Stainless steel latches, mounting feet and lens retainers.
- Impact resistant, UV stabilized polycarbonate lens.
- Shoc♦Loc™ Bi-Pin spring loaded lamp holders for T5, T8 and T12 lamp types, provide superior resistance to shock and vibration.
- USDA compliant materials.
- Meets Canadian Processed Products Regulations C.R.C. c291.
- Neoprene gasket resists petroleum.
- Three lamp models are provided with (1) single lamp ballast and (1) two lamp ballast for independent switching or filter tube options.
- Optional self contained emergency battery backup ballasts.
- Option MIL includes: 10 feet of low smoke cable, lamps and a mounting footprint that matches symbol 77.4 (1 and 2 lamp) and symbol 333.1 (3 lamp).
- Optional long life T5 lamps available upon request (consult factory).

APPLICATIONS

- Marine and watertight requirements
- Dusttight requirements
- Waste water treatment plants
- Food & beverage processing facilities
- Pulp and paper production plants

APPROVALS

- Type 4
- IP66
- Marine Outside Type Saltwater
- ABS
- NSF

STANDARDS

- UL 924 - Emergency Lighting Equipment
- UL 1598A - Luminaires for Marine Vessels
- EN 60529 - Ingress Protection
- Canadian Processed Products Regulations C.R.C. c291
- CSA - C22.2 250-04
- CSA - C22.2 141
- NSF/ANSI 2-2007 Splash Zone

TECHNICAL SPECIFICATIONS

HOUSING

.062 inch thick, type 5052H32 aluminum with an electrostatically applied polyester powder coat finish.

LENS

0.090 inch thick, matte polycarbonate. Optional clear polycarbonate.

REFLECTOR

Type 5052H32 aluminum with an electrostatically applied white polyester powder coat finish. Minimum 90% reflectance.

GASKET

One piece neoprene.

MOUNTING

Stainless steel vibration dampening feet for ceiling, wall or chain mount, optional end mount. Kits available for uni-strut/rod and pole mount.

LATCHES

Stainless steel over the center cam.

LAMP HOLDERS

Spring loaded on one end for linear lamp types.

ENTRIES

Feed-through, one nonmetallic cable gland and one end plugged. See Special Options for other entries.

LAMP TYPES

See ORDERING REFERENCES. Lamps not provided.

BALLAST

120 to 277 volt 50/60 Hz electronic, except F20 & F40 T12 Bi-Pin which are 120V 60Hz.

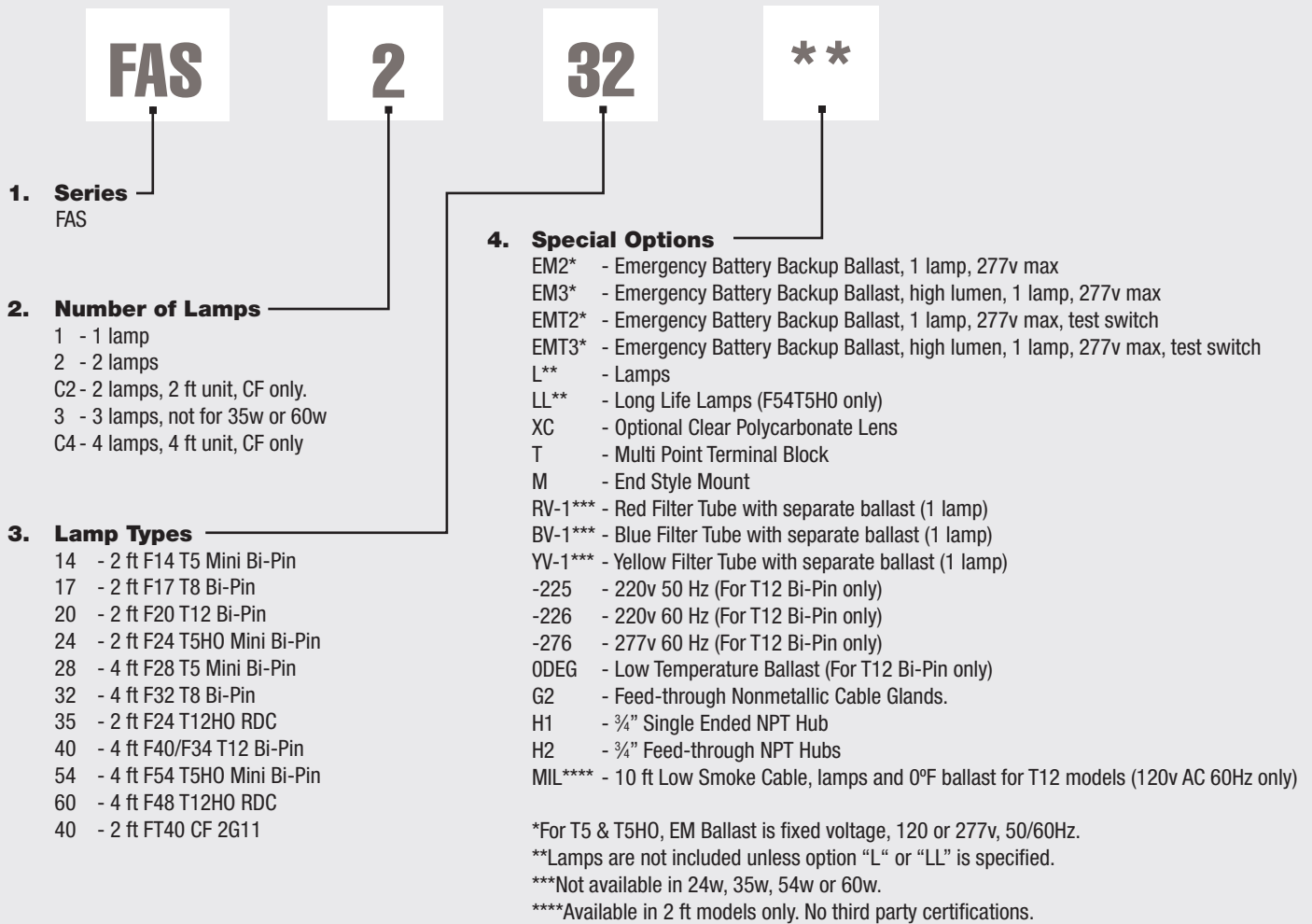
Lamp Wattage	Ballast/Socket Type	ANSI Lamp Code	Starting Temp	Maximum Ambient*	Supply Wire
17	T8 Bi-Pin G13	F17-T8	0°F / -18°C	55°C	90°C
32	T8 Bi-Pin G13	F32-T8	-20°F / -29°C	55°C	90°C
40	4 Pin 2G11	FT40 CF	0°F / -18°C	55°C	90°C
24/54	T5HO Mini Bi-Pin G5	F24/F54-T5HO	-20°F / -29°C	55°C	90°C
14/28	T5 Mini Bi-Pin G5	F14/F28-T5	0°F / -18°C	55°C	90°C
35/60	T12HO RDC R17d	F24/F48-T12HO	-20°F / -29°C	40°C	90°C

*Consult factory for optional higher ambient models.

EMERGENCY BATTERY BACKUP BALLAST

Optional, self contained 90 minute minimum for all lamp types. 120 minutes minimum for F32T8 one lamp. Starting temperature 32°F/0°C.

ORDERING REFERENCES



Notes:

1. Consult factory for options not listed.

COMMONLY ORDERED LUMINAIRES

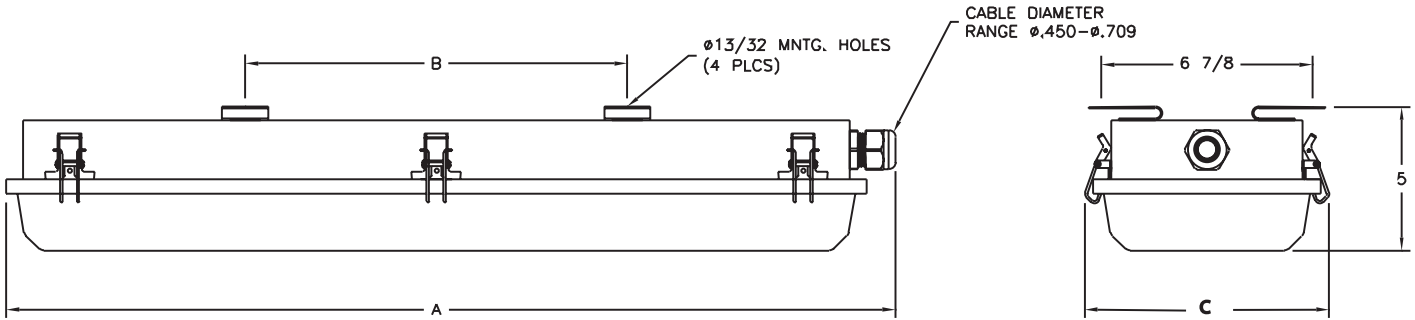
Part No.	Description	Weight	
		Lbs	Kg
FAS217	Aluminum 2 foot fixture 2 x F17 120-277v 50/60 Hz	8.5	3.9
FAS220	Aluminum 2 foot fixture 2 x F20 120v 60 Hz	9.5	4.3
FAS232	Aluminum 4 foot fixture 2 x F32 120-277v 50/60 Hz	16.2	7.3
FAS240	Aluminum 4 foot fixture 2 x F40 120v 60 Hz	17.2	7.8
FX2175	Matte Polycarbonate Lens with Gasket 2 ft	1.5	.68
FX2177	Matte Polycarbonate Lens with Gasket 4 ft	2.7	1.22
FX2163	Clear Polycarbonate Lens with Gasket 2 ft	1.5	.68
FX2165	Clear Polycarbonate Lens with Gasket 4 ft	2.7	1.22
FX8014	Latches	.1	.05

ProMax Intrepid/al

SPARE PARTS

Part No.	Description		
FX5350	BALLAST 120-277V AC 50/60HZ, 1 x 14, F14T5	FX3567	LAMP, 54w, F54T5HO
FX5350	BALLAST 120-277V AC 50/60HZ, 1 x 28, F28T5	FX3577	LAMP, 54w, Long Life F54T5HO
FX5307	BALLAST 120-277V AC 50/60HZ, 1 x 24, F24T5HO	FX3528	LAMP, 17w, F17T8
FX5305	BALLAST 120-277V AC 50/60HZ, 1 x 54, F54T5HO	FX3527	LAMP, 32w, F32T8
FX5174	BALLAST 120-277V AC 50/60HZ, 1 x 17, F17T8	FX3506	LAMP, 20w, F20T12
FX5221	BALLAST 120-277V AC 50/60HZ, 1 x 32, F32T8	FX3517	LAMP, 34w, F40T12/ES
FX5334	BALLAST 120-277V AC 50/60HZ, 1 x 35, F24T12HO	FX3504	LAMP, 40w, F40T12
FX5334	BALLAST 120-277V AC 50/60HZ, 1 x 60, F48T12HO	FX3507	LAMP, 35w, F24T12HO
FX5272	BALLAST 120-277V AC 50/60HZ, 1 x 40 CF, FT40 2G11	FX3505	LAMP, 60w, F48T12HO
FX5350	BALLAST 120-277V AC 50/60HZ, 2 x 14, F14T5	FX3533	LAMP, 40w CF, FT40 2G11
FX5350	BALLAST 120-277V AC 50/60HZ, 2 x 28, F28T5	FX8014	LATCH
FX5307	BALLAST 120-277V AC 50/60HZ, 2 x 24, F24T5HO	GKT6106-69	LENS GASKET, 2ft. models
FX5305	BALLAST 120-277V AC 50/60HZ, 2 X 54, F54T5HO	GKT6106-117	LENS GASKET, 4ft. models
FX5340	BALLAST 120-277V AC 50/60HZ, 2 X 17, F17T8	FX4008	LAMP HOLDER, 17w, 20w, 24w, 32w, 40w & 54w Stationary
FX5340	BALLAST 120-277V AC 50/60HZ, 2 X 32, F32T8	FX4009	LAMP HOLDER, 17w, 20w, 24w, 32w, 40w & 54w Spring
FX5334	BALLAST 120-277V AC 50/60HZ, 2 X 35, F24T12HO	FX4008SET	LAMP HOLDER, (1 ea. FX4008, FX4009)
FX5334	BALLAST 120-277V AC 50/60HZ, 2 X 60, F48T12HO	FX4004	LAMP HOLDER, 35w & 60w Stationary
FX5272	BALLAST 120-277V AC 50/60HZ, 2 X 40 CF, FT40 2G11	FX4005	LAMP HOLDER, 35w & 60w Spring
FX5009	BALLAST 120V 60HZ, 1 x 20, F20T12	FX4004SET	LAMP HOLDER, (1 ea. FX4004, FX4005)
FX5326	BALLAST 120V 60HZ, 1 X 34, F34T12	FX4043	LAMP HOLDER, 40w CF
FX5326	BALLAST 120V 60HZ, 1 x 40, F34T12	FX2175	MATTE POLYCARBONATE LENS (with Gasket), 2ft. models
FX5001	BALLAST 120V 60HZ, 2 x 20, F20T12	FX2177	MATTE POLYCARBONATE LENS (with Gasket), 4ft. models
FX5004	BALLAST 120V 60HZ, 2 X 34, F34T12	FX2163	CLEAR POLYCARBONATE LENS (with Gasket), 2ft. models
FX5004	BALLAST 120V 60HZ, 2 x 40, F34T12	FX2165	CLEAR POLYCARBONATE LENS (with Gasket), 4ft. models
FX5135U	EMERGENCY BATTERY BACKUP BALLAST, EM2/EMT2, 120-277V for T8, T8HO, T12, T12HO & CF	CX1517	CABLE GLAND, 3/4" NPT non metallic
FX5316	EMERGENCY BATTERY BACKUP BALLAST, EM2/EMT2/EM3/EMT3, 120 or 277V for T5 & T5HO	FX2193RED	FILTER TUBE, Red 17w T8
FX5095U	EMERGENCY BATTERY BACKUP BALLAST, EM3/EMT3, 120-277V for T8, T8HO, T12, T12HO & CF	FX2192RED	FILTER TUBE, Red 20w T12
FX3573	LAMP, 14w, F14T5	FX2195RED	FILTER TUBE, Red 32w T8
FX3574	LAMP, 28w, F28T5	FX2194RED	FILTER TUBE, Red 34w T12
FX3568	LAMP, 24w, F24T5HO	FX2192BLU	FILTER TUBE, Blue 20w T12

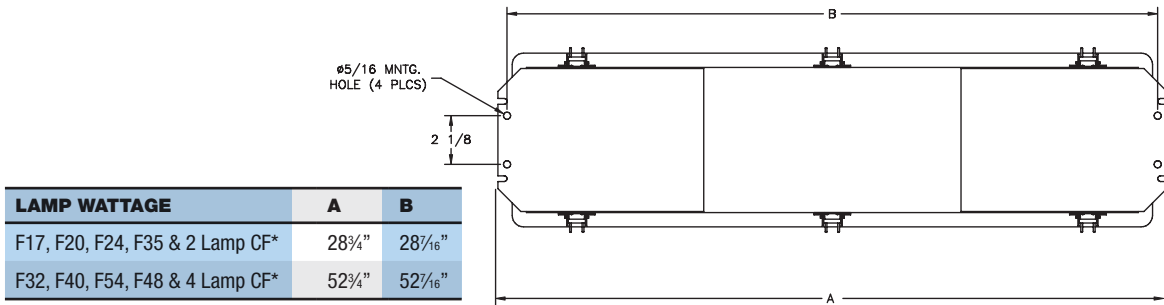
DIMENSIONS



Nominal Length	Dimensions in Inches / Centimeters			Carton W x D x L Inches	Nominal Weight	
	A	B	C		Lbs	Kg
2 Foot	28.8 / 73.7	12.44 / 31.59	7.625 / 19.4	8 ³ / ₄ x 6 ¹ / ₄ x 31 ⁷ / ₈	8.5	3.9
4 Foot	52.8 / 134.6	36.56 / 92.87	7.625 / 19.4	8 ¹ / ₂ x 6 x 56 ¹ / ₁₆	14	6.4

MOUNTING OPTIONS

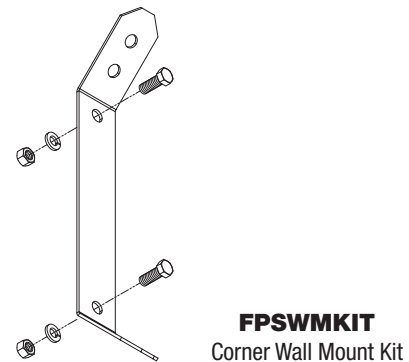
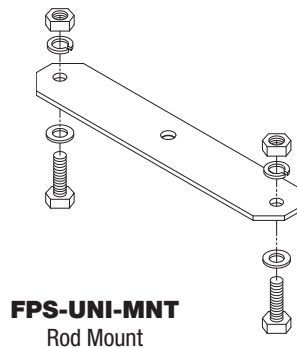
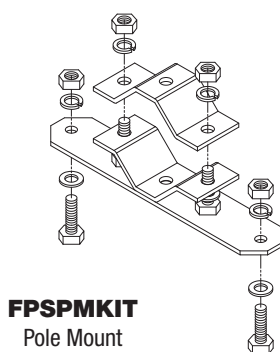
Option M - END STYLE MOUNT



LAMP WATTAGE	A	B
F17, F20, F24, F35 & 2 Lamp CF*	28 ³ / ₄ "	28 ⁷ / ₁₆ "
F32, F40, F54, F48 & 4 Lamp CF*	52 ³ / ₄ "	52 ⁷ / ₁₆ "

* CF = Compact Fluorescent

MOUNTING KITS



Pro

ProCor Optima 1000/al



FEATURES

- Tool less entry via four stainless steel positive locking latches.
- High temperature silicone gaskets provide a watertight seal.
- Ceiling, pendant, stanchion and wall mount types.
- Field replaceable globe and gaskets.
- Shallow dome reflector available.



CHS Controls AB
Tel +46 42 38 61 00, Fax +46 42 38 61 29
chs@chscontrols.se www.chscontrols.se

APPLICATIONS

- Low bay
- Marine & watertight requirements
- Dusttight requirements
- Waste water treatment plants
- Pulp and paper production
- Pharmaceutical & additives formulation & processing
- Corrosive environments

APPROVALS

- Type 4X
- Conforms to IP66
- ABS

STANDARDS

- UL 1598 - Luminaires
- CSA - C22.2 No. 250-04

TECHNICAL SPECIFICATIONS

HOUSING AND MOUNTS

Copper free aluminum with an electrostatically applied white polyester powder coat finish.

GLOBE RETAINING RING

Stainless steel.

LATCHES

Stainless steel, over the center cam.

GLOBE

Clear polycarbonate or Type V distribution, prismatic polycarbonate.

REFLECTORS

Optional shallow dome acrylonitrile butadiene styrene (ABS), gloss white.

MOUNTINGS

Ceiling, pendant, stanchion and wall.

ENTRIES

3/4" or 1" NPT outlets, stanchion 1 1/4" or 1 1/2".

GASKETS

One piece silicone.

BALLAST

120/208/240/277v 60Hz multi-tap ballast or 480v 60Hz. 50Hz ballasts optional.

LAMP TYPE

Luminaires are supplied without lamps.

Lamp Type/ Mogul Base	Wattage	ANSI Code	Ambient Temp	Supply Wire
HPS	50	S68	40/55°C	65/75°C
HPS	70	S62	40/55°C	65/75°C
HPS	100	S54	40/55°C	65/75°C
MH	70	M98	40°C	105°C
MH	100	M90	40°C	105°C

ORDERING REFERENCES

PXA

P3

R

10

MT

IR

1. Lamp Type

- PXA - High Pressure Sodium
- PHA - Metal Halide

2. Mounting Type & Outlets

- B2 - 1" Wall Mount 2 Way
- B3 - 3/4" Wall Mount 2 Way
- B4 - 3/4" Wall Mount 4 Way
- B5 - 1" Wall Mount 4 Way
- C2 - 1" Ceiling Mount 2 Way
- C3 - 3/4" Ceiling Mount 2 Way
- C4 - 3/4" Ceiling Mount 4 Way
- C5 - 1" Ceiling Mount 4 Way
- P1 - 1" Pendant Mount
- P3 - 3/4" Pendant Mount
- S - 1 1/4" Stanchion Mount
- S1 - 1 1/2" Stanchion Mount

3. Globes

- R - Polycarbonate Refractor Globe
- X - Polycarbonate Clear Globe

4. Wattage

- 50 - 50w (PXA)
- 70 - 70w
- 10 - 100w

5. Voltage

- MT - 120/208/240/277v 60Hz Multi-tap
- 486 - 480v 60Hz

Note: For 50Hz ballast consult factory.

6. Special Options

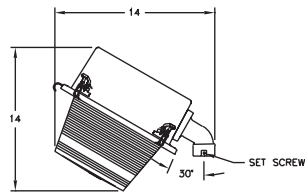
- IR* - Instant Restrike
- F - Fused Ballast
- L - Shallow Dome Reflector

*High Pressure Sodium only.

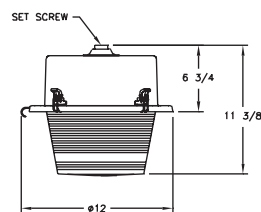
SPARE PARTS

Part No.	Description	Part No.	Description
INX5118	BALLAST, High Pressure Sodium 50w	INX4567	REFLECTOR Shallow Dome
INX5116	BALLAST, High Pressure Sodium 70w	INX7050P1A	MOUNTING, Pendant 1"
INX5113	BALLAST, High Pressure Sodium 100w	INX7050P3A	MOUNTING, Pendant 3/4"
INX5135	BALLAST, Metal Halide 70w	INX7051C2A	MOUNTING, Ceiling 1" 2 Way
INX5133	BALLAST, Metal Halide 100w	INX7051C3A	MOUNTING, Ceiling 3/4" 2 Way
INX2169	GLOBE, Polycarbonate Refractor	INX7051C4A	MOUNTING, Ceiling 3/4" 4 Way
INX2181	GLOBE, Polycarbonate Clear	INX7051C5A	MOUNTING, Ceiling 1" 4 Way
INX3687	LAMP, High Pressure Sodium 50w	INX7055SA	MOUNTING, Stanchion 1 1/4"
INX3662	LAMP, High Pressure Sodium 70w	INX7055S1A	MOUNTING, Stanchion 1 1/2"
INX3535	LAMP, High Pressure Sodium 100w	INX7056B2A	MOUNTING, Wall 1" 2 Way
INX3683	LAMP, Metal Halide 70w	INX7056B3A	MOUNTING, Wall 3/4" 2 Way
INX3682	LAMP, Metal Halide 100w	INX7056B4A	MOUNTING, Wall 3/4" 4 Way
INX4100	LAMP HOLDER	INX7056B5A	MOUNTING, Wall 1 4 Way

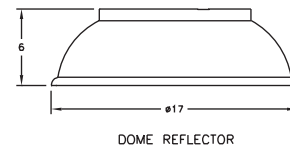
DIMENSIONS



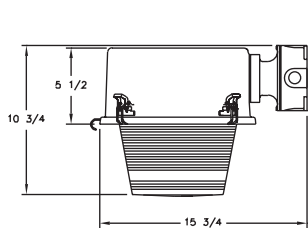
STANCHION MOUNT



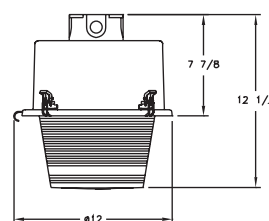
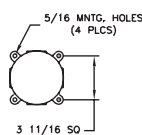
PENDANT MOUNT



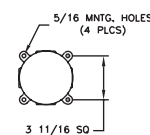
DOME REFLECTOR



WALL BRACKET MOUNT



CEILING MOUNT



Dimensions in inches

Pro

ProCor Optima 1010/al



Removable Ballast Tray

FEATURES

- Maintenance friendly removable ballast tray.
- Tool less entry via four stainless steel over the center cam latches.
- One-piece high temperature silicone gaskets provide a watertight seal.
- Ceiling, pendant, stanchion and wall mount types.
- Field replaceable globe and gaskets.
- Tool less lamp replacement.
- Choice of angled or shallow dome reflectors.

APPLICATIONS

- Mid & low bay
- Marine & watertight requirements
- Dusttight requirements
- Waste water treatment plants
- Pulp and paper production
- Pharmaceutical & additives formulation & processing
- Corrosive environments

APPROVALS

- Type 4X
- Conforms to IP66
- ABS

STANDARDS

- UL 1598 - Luminaires
- CSA - C22.2 No. 250-04

TECHNICAL SPECIFICATIONS

HOUSING AND MOUNTS

Copper free aluminum with an electrostatically applied white polyester powder coat finish.

GLOBE RETAINING RING

Stainless steel.

LATCHES

Stainless steel, over the center cam.

GLOBE

Internally fluted glass. Clear globe optional.

REFLECTORS

Optional 30° angled or shallow dome acrylonitrile butadiene styrene (ABS), gloss white.

MOUNTINGS

Ceiling, pendant, stanchion and wall mount types

ENTRIES

¾" or 1" NPT outlets, stanchion 1¼" or 1½".

GASKETS

Silicone.

GUARD

Optional stainless steel guard.

BALLAST

120/208/240/277v 60Hz multi-tap ballast or 480v 60Hz. 50Hz ballasts optional.

LAMP TYPE

Luminaires are supplied without lamps.

Lamp Type/ Base	Wattage	ANSI Code	Ambient Temp	Supply Wire Temp
HPS (MED)	50	S68	25°C	90°C
HPS (MED)	70	S62	25°C	90°C
HPS (MED)	100	S54	25°C	90°C
HPS (MED)	150	S55	25°C	90°C
HPS (MOG)	50	S68	40°C	90°C
HPS (MOG)	70	S62	40°C	90°C
HPS (MOG)	100	S54	40°C	90°C
HPS (MOG)	150	S55	40°C	90°C
MH (MED)	70	M98	25°C	110°C
MH (MED)	100	M90	25°C	110°C
MH (MED)	175*	M57	25°C	110°C
MH (MOG)	70	M98	25°C	110°C
MH (MOG)	100	M90	25°C	110°C
MH (MOG)	175*	M57	25°C	110°C
PSMH (MOG)	150	M102	25°C	110°C

*Not available in the U.S.

ORDERING REFERENCES



1. Lamp Type

- PXA - High Pressure Sodium
- PHA - Metal Halide
- PPA - Pulse Start Metal Halide

2. Mounting Type & Outlets

- B2A - 1" Wall Mount 2 Way
- B3A - 3/4" Wall Mount 2 Way
- B4A - 3/4" Wall Mount 4 Way
- B5A - 1" Wall Mount 4 Way
- C2A - 1" Ceiling Mount 2 Way
- C3A - 3/4" Ceiling Mount 2 Way
- C4A - 3/4" Ceiling Mount 4 Way
- C5A - 1" Ceiling Mount 4 Way
- P1A - 1" Pendant Mount
- P3A - 3/4" Pendant Mount
- SA - 1 1/4" Stanchion Mount
- S1A - 1 1/2" Stanchion Mount

3. Wattage

- 50 - 50w (PX)
- 70 - 70w (PX, PH)
- 10 - 100w (PX, PH)
- 15 - 150w (PX, PS)
- 17 - 175w (PH*)

*Not available in the U.S.

4. Lamp Holders

- Blank - Medium Base
- H - Mogul Base

5. Guards

- Blank - No Guard
- G - Guard

6. Voltage

- MT - 120/208/240/277v 60Hz Multi-tap
- 486 - 480v 60Hz

Note: For 50Hz ballast contact factory.

7. Special Options

- IR* - Instant Restrike
- F - Fused Ballast
- N - 30° Angled Reflector
- L - Shallow Dome Reflector
- CG - Clear Globe

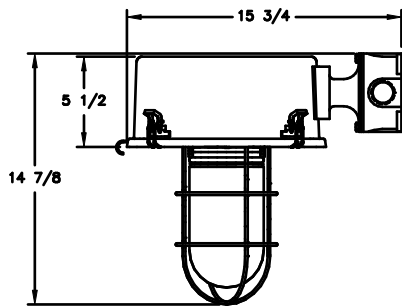
*High Pressure Sodium only.

SPARE PARTS

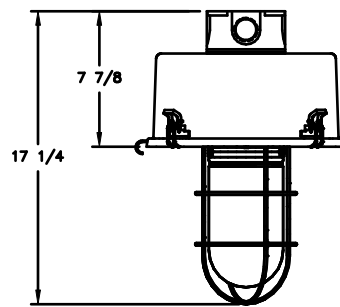
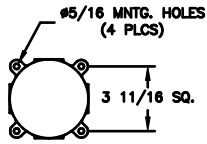
Part No.	Description	Part No.	Description
INX5118	MULTI TAP BALLAST, High Pressure Sodium, 50w	INX7050P1A	MOUNTING, Pendant 1"
INX5116	MULTI TAP BALLAST, High Pressure Sodium, 70w	INX7050P3A	MOUNTING, Pendant 3/4"
INX5113	MULTI TAP BALLAST, High Pressure Sodium, 100w	INX7051C2A	MOUNTING, Ceiling 1" 2 Way
INX5110	MULTI TAP BALLAST, High Pressure Sodium, 150w	INX7051C3A	MOUNTING, Ceiling 3/4" 2 Way
INX5135	MULTI TAP BALLAST, Metal Halide, 70w	INX7051C4A	MOUNTING, Ceiling 3/4" 4 Way
INX5133	MULTI TAP BALLAST, Metal Halide, 100w	INX7051C5A	MOUNTING, Ceiling 1" 4 Way
INX5022	MULTI TAP BALLAST, Metal Halide, 175w	INX7055SA	MOUNTING, Stanchion 1 1/4"
INX5263	MULTI TAP BALLAST, Pulse Start Metal Halide, 150w	INX7055S1A	MOUNTING, Stanchion 1 1/2"
INX3653	LAMP MEDIUM BASE, High Pressure Sodium, 50w	INX7056B2A	MOUNTING, Wall 1" 2 Way
INX3621	LAMP MEDIUM BASE, High Pressure Sodium, 70w	INX7056B3A	MOUNTING, Wall 3/4" 2 Way
INX3632	LAMP MEDIUM BASE, High Pressure Sodium, 100w	INX7056B4A	MOUNTING, Wall 3/4" 4 Way
INX3593	LAMP MEDIUM BASE, High Pressure Sodium, 150w	INX7056B5A	MOUNTING, Wall 1" 4 Way
INX3647	LAMP MEDIUM BASE, Metal Halide, 70w	INX4564	REFLECTOR, 30° Angled Reflector
INX3659	LAMP MEDIUM BASE, Metal Halide, 100w	INX4565	REFLECTOR, Shallow Dome Reflector
INX3620	LAMP MEDIUM BASE, Metal Halide, 175w	INX2150	GLOBE, Fluted
INX3743	LAMP MEDIUM BASE, Pulse Start Metal Halide, 150w	INX2008HR	GLOBE, Clear
INX3687	LAMP MOGUL BASE, High Pressure Sodium, 50w	GKT6090	GASKET, Housing
INX3662	LAMP MOGUL BASE, High Pressure Sodium, 70w	GKT2013	GASKET, Globe Base
INX3535	LAMP MOGUL BASE, High Pressure Sodium, 100w	INX4096	LAMP HOLDER, Medium
INX3651	LAMP MOGUL BASE, High Pressure Sodium, 150w	INX4100	LAMP HOLDER, Mogul
INX3683	LAMP MOGUL BASE, Metal Halide, 70w	INX1057	LAMP HOLDER, Guard
INX3682	LAMP MOGUL BASE, Metal Halide, 100w		
INX3551	LAMP MOGUL BASE, Metal Halide, 175w		
INX3744	LAMP MOGUL BASE, Pulse Start Metal Halide, 150w		

ProCor Optima 1010/al

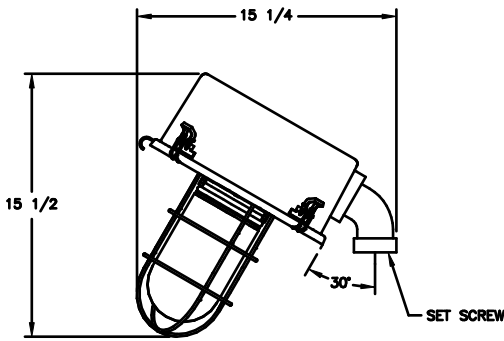
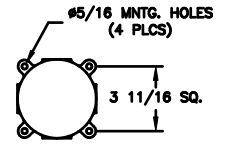
DIMENSIONS



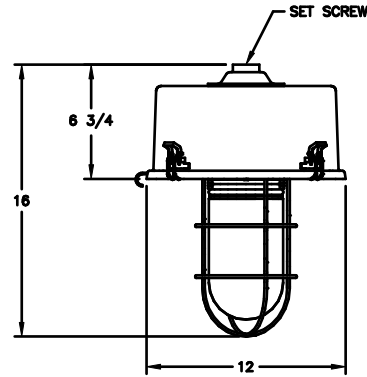
WALL MOUNT



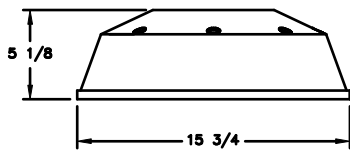
CEILING MOUNT



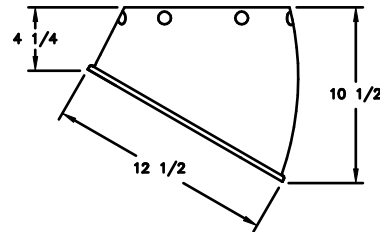
STANCHION MOUNT



PENDANT MOUNT



DOME REFLECTOR



ANGLE REFLECTOR

Dimensions in inches



NOTES

Pro

ProCor Optima 1020/al



Removable Ballast Tray

FEATURES

- Maintenance friendly removable ballast tray.
- Tool less entry via four stainless steel over the center cam latches.
- Lamp base isolated from ballast compartment for higher ambient suitability.
- Tool less lamp replacement.
- Open bottom stainless steel wire guard allows access to the globe for easy relamping.
- High temperature silicone gaskets provide a watertight seal.
- Ceiling, pendant, stanchion or wall mount types.
- Field replaceable globe and gaskets.
- Choice of angled or shallow dome reflectors.

APPLICATIONS

- Mid bay
- Marine & watertight requirements
- Dusttight requirements
- Waste water treatment plants
- Pulp and paper production
- Pharmaceutical & additives formulation & processing
- Corrosive environments

APPROVALS

- Type 4X
- Conforms to IP66
- ABS

STANDARDS

- UL 1598 - Luminaires
- CSA - C22.2 No. 250-04

TECHNICAL SPECIFICATIONS

HOUSING AND MOUNTS

Copper free aluminum with an electrostatically applied white polyester powder coat finish.

GLOBE RETAINING RING

Stainless steel.

LATCHES

Stainless steel, over the center cam.

GLOBE

Internally fluted glass.

REFLECTORS

Optional 30° angled or shallow dome acrylonitrile butadiene styrene (ABS), gloss white.

MOUNTINGS

Ceiling, pendant, stanchion and wall.

ENTRIES

¾" or 1" NPT outlets, stanchions 1¼" or 1½".

GASKETS

One piece silicone.

GUARD

Optional stainless steel.

LAMP TYPE

Luminaires are supplied without lamps.

BALLAST

120/208/240/277v 60Hz multi-tap ballast or 480v 60Hz. 50Hz ballasts optional.

Lamp Type/ Mogul Base	Wattage	ANSI Code	Ambient Temp	Supply Wire Temp
HPS	50	S68	40°C	75°C
HPS	70	S62	40°C	75°C
HPS	100	S54	40°C	75°C
HPS	150	S55	40°C	75°C
HPS	250	S50	40°C	85°C
MH	70	M98	40°C	75°C
MH	100	M90	40°C	75°C
MH	175*	M57	40°C	75°C
MH	250*	M58	40°C	85°C
PSMH	150	M120	40°C	75°C
PSMH	175	M137	40°C	75°C
PSMH	200	M136	40°C	75°C
PSMH	250	M138	40°C	75°C

*Not available in the U.S.

ORDERING REFERENCES

PZXA
P3A
25
G
MT
**

1. Lamp Type

- PZXA - High Pressure Sodium
- PZHA - Metal Halide
- PZSA - Pulse Start Metal Halide

2. Mounting Type & Outlets

- B2A - 1" Wall Mount 2 Way
- B3A - ¾" Wall Mount 2 Way
- B4A - ¾" Wall Mount 4 Way
- B5A - 1" Wall Mount 4 Way
- C2A - 1" Ceiling Mount 2 Way
- C3A - ¾" Ceiling Mount 2 Way
- C4A - ¾" Ceiling Mount 4 Way
- C5A - 1" Ceiling Mount 4 Way
- P1A - 1" Pendant Mount
- P3A - ¾" Pendant Mount
- SA - 1¼" Stanchion Mount
- S1A - 1½" Stanchion Mount

3. Wattage

- 50 - 50w (PZX)
- 70 - 70w (PZX, PZH)
- 10 - 100w (PZX, PZH)
- 15 - 150w (PZX, PZS)
- 17 - 175w (PZH*, PZS)
- 20 - 200w (PZS)
- 25 - 250w (PZX, PZH*, PZS)

*Not available in the U.S.

4. Guards

- G - Guard
- Blank - No Guard

5. Voltage

- MT - 120/208/240/277v 60 Hz Multi-tap
- 486 - 480v 60Hz

Note: For 50Hz ballast contact factory.

6. Special Options

- IR* - Instant Restrike
- F - Fused Ballast
- N - 30° Angled Reflector
- L - Shallow Dome Reflector

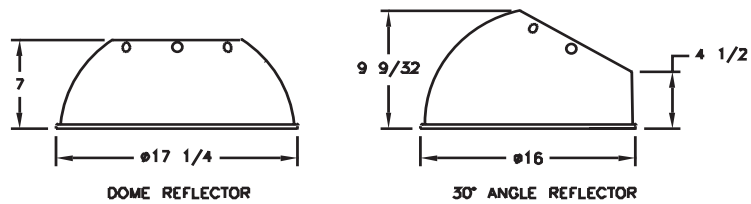
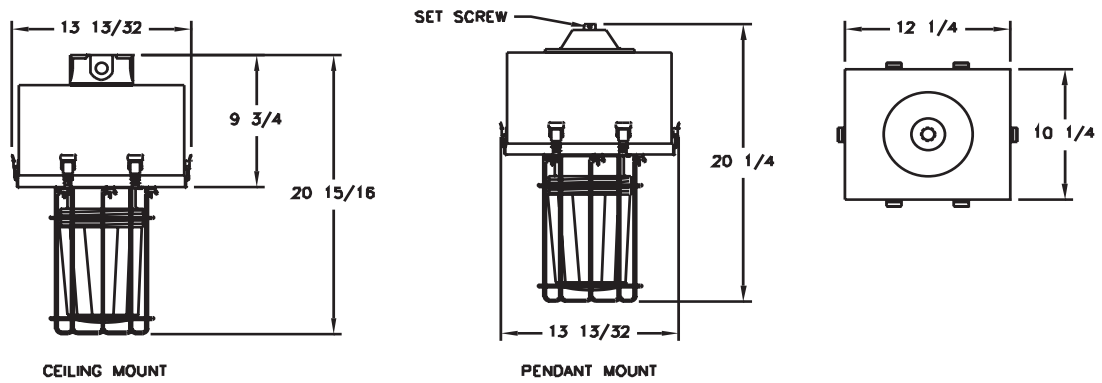
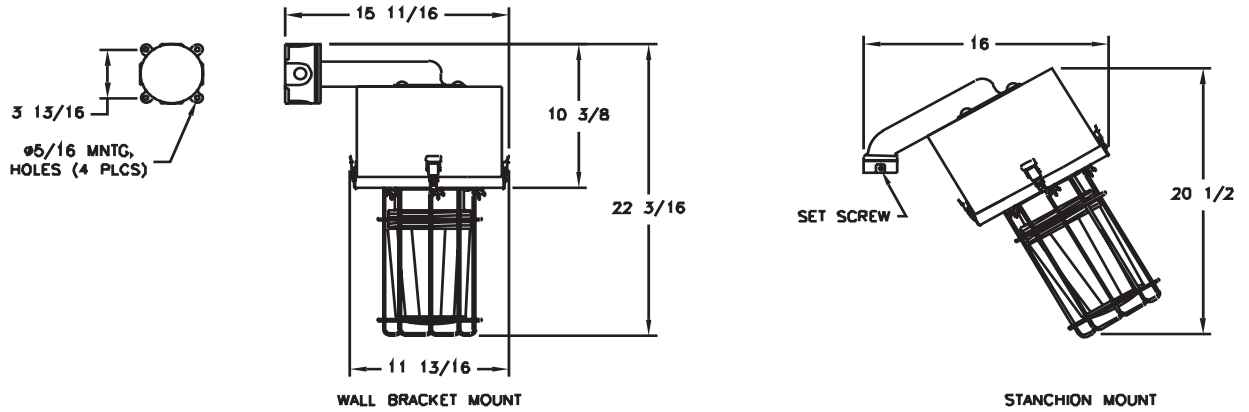
*High Pressure Sodium 150w max only.

SPARE PARTS

Part No.	Description	Part No.	Description
INX5118	MULTI TAP BALLAST, High Pressure Sodium, 50w	INX3738	LAMP MOGUL BASE, Pulse Start Metal Halide, 200w
INX5116	MULTI TAP BALLAST, High Pressure Sodium, 70w	INX3734	LAMP MOGUL BASE, Pulse Start Metal Halide, 250w
INX5113	MULTI TAP BALLAST, High Pressure Sodium, 100w	INX7050P1A	MOUNTING, Pendant 1"
INX5110	MULTI TAP BALLAST, High Pressure Sodium, 150w	INX7050P3A	MOUNTING, Pendant ¾"
INX5176	MULTI TAP BALLAST, High Pressure Sodium, 250w	INX7051C2A	MOUNTING, Ceiling 1" 2 Way
INX5135	MULTI TAP BALLAST, Metal Halide, 70w	INX7051C3A	MOUNTING, Ceiling ¾" 2 Way
INX5133	MULTI TAP BALLAST, Metal Halide, 100w	INX7051C4A	MOUNTING, Ceiling ¾" 4 Way
INX5022	MULTI TAP BALLAST, Metal Halide, 175w	INX7051C5A	MOUNTING, Ceiling 1" 4 Way
INX5182	MULTI TAP BALLAST, Metal Halide, 250w	INX7053SA	MOUNTING, Stanchion 1¼"
INX5263	MULTI TAP BALLAST, Pulse Start Metal Halide, 150w	INX7053S1A	MOUNTING, Stanchion 1½"
INX5244	MULTI TAP BALLAST, Pulse Start Metal Halide, 175w	INX7052B2A	MOUNTING, Wall 1" 2 Way
INX5251	MULTI TAP BALLAST, Pulse Start Metal Halide, 200w	INX7052B3A	MOUNTING, Wall ¾" 2 Way
INX5245	MULTI TAP BALLAST, Pulse Start Metal Halide, 250w	INX7052B4A	MOUNTING, Wall ¾" 4 Way
INX3687	LAMP MOGUL BASE, High Pressure Sodium, 50w	INX7052B5A	MOUNTING, Wall 1" 4 Way
INX3662	LAMP MOGUL BASE, High Pressure Sodium, 70w	INX4567	REFLECTOR, 30° Angled Reflector
INX3535	LAMP MOGUL BASE, High Pressure Sodium, 100w	INX4568	REFLECTOR, Shallow Dome Reflector
INX3651	LAMP MOGUL BASE, High Pressure Sodium, 150w	INX2136	GLOBE, Fluted
INX3546	LAMP MOGUL BASE, High Pressure Sodium, 250w	GKT6089-41	GASKET, Housing
INX3683	LAMP MOGUL BASE, Metal Halide, 70w	GKT3021-1	GASKET, Globe Base
INX3682	LAMP MOGUL BASE, Metal Halide, 100w	INX4004	LAMP HOLDER, HPS, MH
INX3551	LAMP MOGUL BASE, Metal Halide, 175w	INX4100	LAMP HOLDER, PSMH
INX3541	LAMP MOGUL BASE, Metal Halide, 250w	INX1059	LAMP HOLDER, GUARD
INX3744	LAMP MOGUL BASE, Pulse Start Metal Halide, 150w		
INX3732	LAMP MOGUL BASE, Pulse Start Metal Halide, 175w		

ProCor Optima 1020/al

DIMENSIONS



Dimensions in inches

NOTES

Pro

ProFlood Goliath 2000/al



FEATURES

- 70 - 175w HID.
- Compact design for maximum mounting flexibility.
- Field replaceable, thermal shock resistant tempered glass lens.
- High temperature silicone gasket provide a watertight seal.
- Tool less entry via eight positive locking stainless steel latches.
- Captive lens frame with stainless steel door retainers for easy lamp replacement.
- Optional safety cable attachment points.
- Remote ballast available.
- Tested and approved over 180° aiming range, enabling face up through face down mounting.
- Wide NEMA 7 x 6 beam spread.
- Optional vibration resistant lamp holder.
- Choice of mounting arrangements in surface, pole, right angle and crane boom (via a modified housing).



CHS Controls AB
Tel +46 42 38 61 00, Fax +46 42 38 61 29
chs@chscontrols.se www.chscontrols.se

APPLICATIONS

- Marine & watertight requirements
- Dusttight requirements
- Waste water treatment plants
- Pulp and paper production
- Corrosive environments
- Façade security lighting

APPROVALS

- Type 4X
- Conforms to IP66
- ABS

STANDARDS

- UL 1598 - Luminaires
- CSA - C22.2 No. 250-04

TECHNICAL SPECIFICATIONS

HOUSING

Copper free aluminum with an electrostatically applied white polyester powder coat finish.

WIND RATING

EPA - 2.24 at vertical.

LENS FRAME

Type 316 stainless steel.

MOUNTING BRACKETS

Type 316 stainless steel trunnion mount. Please see SPARE PARTS for additional selections.

REFLECTORS

Hammertone aluminum.

ENTRIES

One 3/4" NPT.

LENS

Tempered glass.

BALLAST

Standard: Multi-tap 120/208/240/277v 60 Hz.

Optional: 220v, 347v, or 480v 60Hz, and 220v or 240v 50Hz.

Optional: Remote ballast suitable for use up to 50 feet from luminaire.

GASKET

One piece silicone.

GUARD

Optional, type 316 stainless steel.

VISOR

Optional, top or top and side, copper free aluminum with an electrostatically applied white polyester powder coat finish.

LAMP HOLDER

Mogul base, porcelain.

LAMP TYPES

High Pressure Sodium, Metal Halide* and Pulse Start Metal Halide. Luminaires supplied without lamps.

*Not available in the U.S.

ORDERING REFERENCES

PART NUMBER	LAMP TYPE	WATTAGE	WEIGHT LBS	ANSI LAMP TYPE	AMBIENT TEMP	SUPPLY WIRE TEMP
PHIDLA7IB	High Pressure Sodium	70w	21.0	S62	40°C	110°C
PHIDLA11IB	High Pressure Sodium	100w	23.0	S54	40°C	110°C
PHIDLA15IB	High Pressure Sodium	150w	24.0	S55	40°C	110°C
PHIDHA17IB*	Metal Halide	175w	22.0	M57	40°C	125°C
PHIDPA15IB	Pulse Start Metal Halide	150w	24.0	M102	40°C	110°C
PHIDPA17IB	Pulse Start Metal Halide	175w	23.0	M152	40°C	125°C

*Not available in the U.S.

SPECIAL OPTIONS

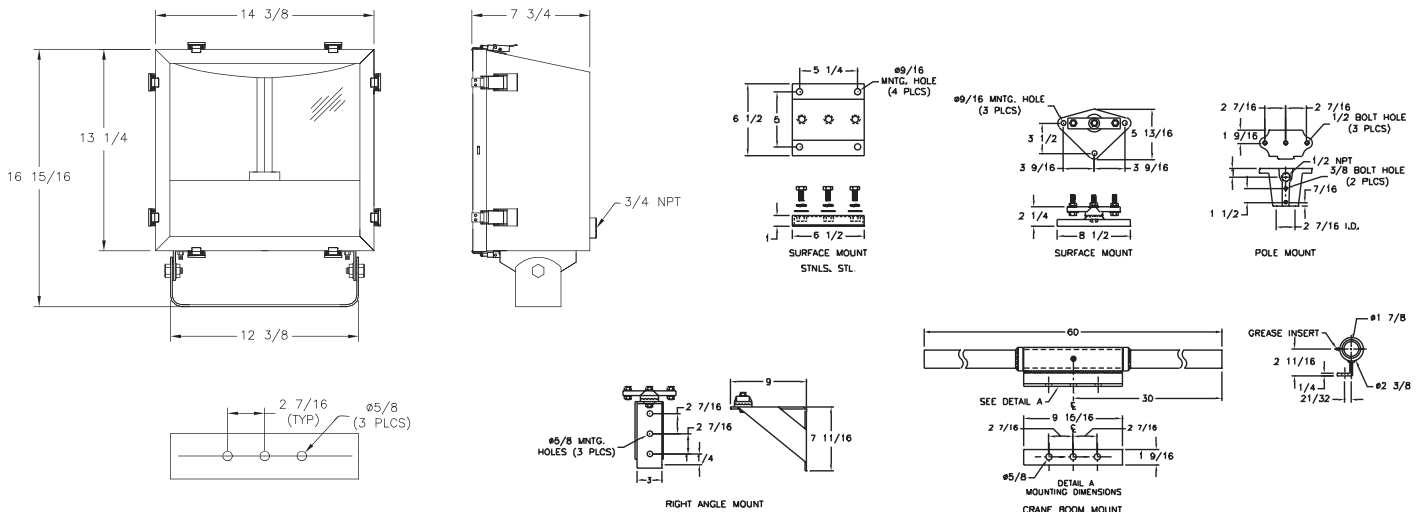
- | | |
|---|--|
| LC - Auxiliary Quartz Light (Light continuator) | -486 - 480v 60Hz |
| F - Fused Ballast | RB* - Remote Ballast |
| IR - Instant Restrike (High Pressure Sodium only) | SP - Vibration Resistant Lamp Holder |
| W* - Dual Safety Cable Attachment Points | G* - Stainless Steel Guard |
| -225 - 220v 50Hz | CB* - Crane Boom Modified Housing (Includes option SP) |
| -226 - 220v 60Hz | TV* - Top Visor |
| -245 - 240v 50Hz | SV* - Top and Side Visor |
| -346 - 347v 60Hz | |

*Cannot be field installed, specify at order placement.

SPARE PARTS

Part No.	Description
INX5087	BALLAST, High Pressure Sodium 70W
INX5014	BALLAST, High Pressure Sodium 100W
INX5015	BALLAST, High Pressure Sodium 150W
INX5022	BALLAST, Metal Halide 175w
INX5263	BALLAST, Pulse Start Metal Halide 150w
INX5244	BALLAST, Pulse Start Metal Halide 175w
INX3662	LAMP, High Pressure Sodium 70w
INX3535	LAMP, High Pressure Sodium 100W
INX3651	LAMP, High Pressure Sodium 150W
INX3557	LAMP, Metal Halide 175W
INX3744	LAMP, Pulse Start Metal Halide 150W
INX3732	LAMP, Pulse Start Metal Halide 175W
INX4100	LAMP HOLDER
INX2152	LENS
GKT6089-49	GASKET
INX7007A	MOUNTING, Surface Aluminum
INX7007SS	MOUNTING, Surface Stainless Steel
INX7006A	MOUNTING, Pole Aluminum
INX7006SS	MOUNTING, Pole Stainless Steel
INX7091	MOUNTING, Pole Stainless Steel (No cable feed thru)
INX7058S	MOUNTING, Right Angle
INX7001	MOUNTING, Crane Boom (Requires crane boom housing)
SC30H	SAFETY CABLE, 48" Stainless Steel, Snap Hook

DIMENSIONS



Dimensions in inches

Pro

ProFlood Goliath 2010/al



FEATURES

- 250 - 400w HID.
- Field replaceable, thermal shock resistant tempered glass lens.
- High temperature silicone gasket provides a watertight seal.
- Tool less entry via eight positive locking stainless steel latches.
- Captive lens frame with stainless steel door retainers for easy lamp replacement.
- Optional safety cable attachment points.
- Remote ballast available.
- Tested and approved over 180° aiming range, enabling face up through face down mounting.
- Very wide NEMA 7 x 7 beam spread.
- Optional vibration resistant lamp holder.
- Choice of mounting arrangements in surface, pole, right angle and crane boom (via a modified housing).

APPLICATIONS

- Marine & watertight requirements
- Dusttight requirements
- Waste water treatment plants
- Pulp and paper production
- Corrosive environments
- Façade security lighting

APPROVALS

- Type 4X
- Conforms to IP66
- ABS

STANDARDS

- UL 1598 - Luminaires
- CSA - C22.2 No. 250-04

TECHNICAL SPECIFICATIONS

HOUSING

Copper free aluminum with an electrostatically applied white polyester powder coat finish.

WIND RATING

EPA - 3.62 at vertical.

LENS FRAME

Type 316 stainless steel.

MOUNTING BRACKETS

Type 316 stainless steel trunnion mount. Please see SPARE PARTS for additional selections.

REFLECTORS

Hammertone aluminum.

ENTRIES

One ¼" NPT.

LENS

Tempered glass.

BALLAST

Standard: Multi-tap 120/208/240/277v 60 Hz.

Optional: 220v, 347v, or 480v 60Hz, and 220v or 240v 50Hz.

Optional: Remote ballast suitable for use up to 50 feet from luminaire.

GASKET

One piece silicone.

GUARD

Optional, type 316 stainless steel.

VISOR

Optional, top or top and side, copper free aluminum with an electrostatically applied white polyester powder coat finish.

LAMP HOLDER

Mogul base, porcelain.

LAMP TYPES

High Pressure Sodium, Metal Halide* and Pulse Start Metal Halide. Luminaires supplied without lamps.

*Not available in the U.S.

ORDERING REFERENCES

PART NUMBER	LAMP TYPE	WATTAGE	WEIGHT LBS	ANSI LAMP TYPE	AMBIENT TEMP	SUPPLY WIRE TEMP
PHIDLA25IB	High Pressure Sodium	250w	32.0	S50	25°C	125°C
PHIDLA4IB	High Pressure Sodium	400w	35.0	S51	25°C	125°C
PHIDHA25IB*	Metal Halide	250w	31.0	M58	25°C	125°C
PHIDHA4IB*	Metal Halide	400w	35.0	M59	25°C	125°C
PHIDPA25IB	Pulse Start Metal Halide	250w	32.0	M153	25°C	125°C
PHIDPA4IB	Pulse Start Metal Halide	400w	36.0	MI55	25°C	125°C

*Not available in the U.S.

SPECIAL OPTIONS

LC - Auxiliary Quartz Light (Light continuator)
F - Fused Ballast
W* - Dual Safety Cable Attachment Points
-225 - 220v 50Hz
-226 - 220v 60Hz
-245 - 240v 50Hz
-346 - 347v 60Hz
-486 - 480v 60Hz

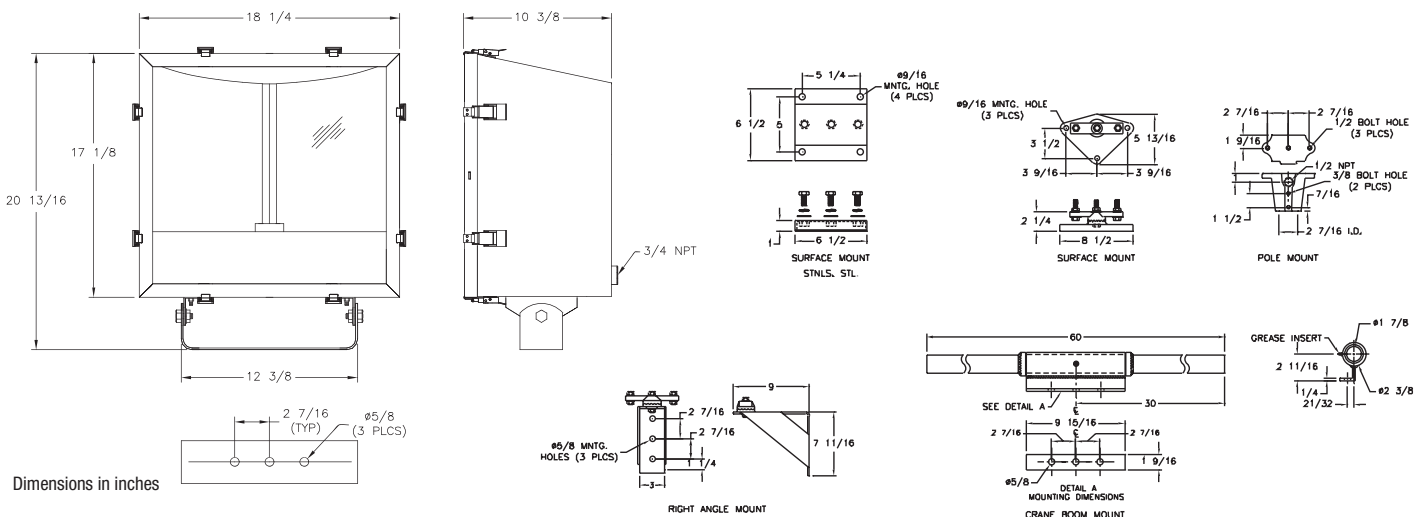
RB* - Remote Ballast
SP - Vibration Resistant Lamp Holder
G* - Stainless Steel Guard
CB* - Crane Boom Modified Housing (Includes option SP)
TV* - Top Visor
SV* - Top and Side Visor

*Cannot be field installed, specify at order placement.

SPARE PARTS

Part No.	Description
INX5021	BALLAST, High Pressure Sodium 250w
INX5019	BALLAST, High Pressure Sodium 400W
INX5102	BALLAST, Metal Halide 250w
INX5033	BALLAST, Metal Halide 400w
INX5245	BALLAST, Pulse Start Metal Halide 250W
INX5246	BALLAST, Pulse Start Metal Halide 400w
INX3546	LAMP, High Pressure Sodium 250w
INX3517	LAMP, High Pressure Sodium 400w
INX3541	LAMP, Metal Halide 250w
INX3524	LAMP, Metal Halide 400w
INX3733	LAMP, Pulse Start Metal Halide 250W
INX3734	LAMP, Pulse Start Metal Halide 400W
INX4004	LAMP HOLDER, HPS, PSMH
INX4100	LAMP HOLDER, MH
INX2153	LENS
INX9061	LENS FRAME & GUARD
INX1065	GUARD
GKT6089-65	GASKET
INX7007A	MOUNTING, Surface Aluminum
INX7007SS	MOUNTING, Surface Stainless Steel
INX7006A	MOUNTING, Pole Aluminum
INX7006SS	MOUNTING, Pole Stainless Steel
INX7091	MOUNTING, Pole Stainless Steel (No cable feed thru)
INX7058S	MOUNTING, Right Angle
INX7001	MOUNTING, Crane Boom (Requires Crane Boom Housing)
SC30H	SAFETY CABLE, 48" Stainless Steel, Snap Hook

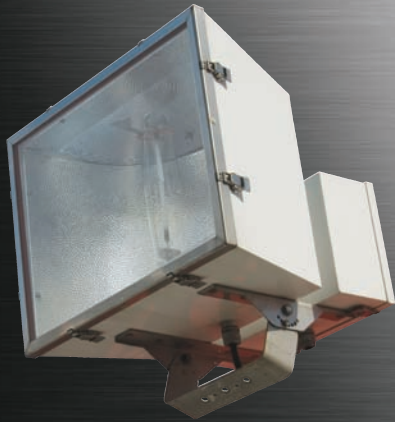
DIMENSIONS



Aluminum - Professional Use Lighting

Pro

ProFlood Goliath 2020/al



FEATURES

- 1000w HID.
- Ballast gear housed in separate, attached enclosure. Allows for easy access and cool running operation.
- Field replaceable, thermal shock resistant tempered glass lens.
- High temperature silicone gaskets provide a watertight seal.
- Tool less entry via eight positive locking stainless steel latches.
- Captive lens frame with stainless steel door retainers for easy lamp replacement.
- Optional safety cable attachment points.
- Remote ballast available.
- Tested and approved over 180° aiming range, enabling face up through face down mounting.
- Very wide NEMA 7 x 7 beam spread.
- Optional vibration resistant lamp holder.
- Choice of mounting arrangements in surface, pole and crane boom (via a modified housing).

APPLICATIONS

- Marine & watertight requirements
- Dusttight requirements
- Waste water treatment plants
- Pulp and paper production
- Corrosive environments
- Façade security lighting

APPROVALS

- Type 4X
- Conforms to IP66
- ABS

STANDARDS

- UL 1598 - Luminaires
- CSA - C22.2 No. 250-04

TECHNICAL SPECIFICATIONS

HOUSING

Copper free aluminum with an electrostatically applied white polyester powder coat finish.

WIND RATING

EPA - 5.39 at vertical.

LENS FRAME

Type 316 stainless steel.

MOUNTING BRACKETS

Type 316 stainless steel trunnion mount. Please see SPARE PARTS for additional selections.

REFLECTORS

Hammertone aluminum.

ENTRIES

One 3/4" NPT.

LENS

Tempered glass.

GASKETS

One piece silicone.

GUARD

Optional, type 316 stainless steel.

BALLAST

Standard: Multi-tap 120/208/240/277v 60Hz.

Optional: 220v, 347v, or 480v 60Hz, and 220v or 240v 50Hz.

Optional: Remote ballast suitable for use up to 50 feet from luminaire.

LAMP HOLDER

Mogul base, porcelain.

LAMP TYPES

High Pressure Sodium, Metal Halide and Pulse Start Metal Halide. Luminaires supplied without lamps.

ORDERING REFERENCES

PART NUMBER	LAMP TYPE	WATTAGE	WEIGHT LBS	ANSI LAMP TYPE	AMBIENT TEMP	SUPPLY WIRE TEMP
PHIDLA10IB	High Pressure Sodium	1000W	69.0	S52	40°C	75°C
PHIDHA10IB	Metal Halide	1000W	59.0	M47	40°C	75°C
PHIDPA10IB	Pulse Start Metal Halide	1000W	59.0	M141	40°C	75°C

SPECIAL OPTIONS

- LC - Auxiliary Quartz Light (Light continuator)
- 225 - 220v 50Hz
- 226 - 220v 60Hz
- 245 - 240v 50Hz
- 346 - 347v 60Hz
- 486 - 480v 60Hz

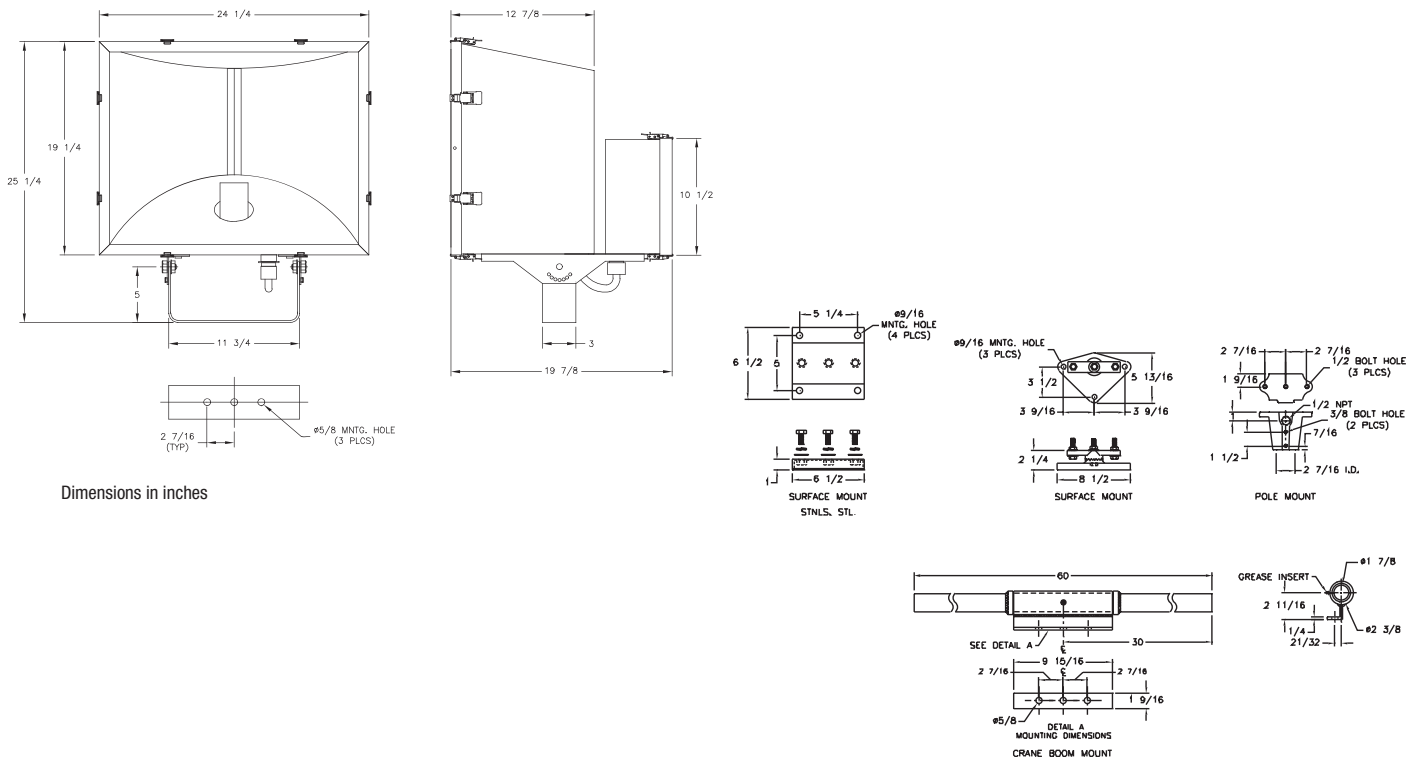
- G* - Stainless Steel Guard
- W* - Dual Safety Cable Attachment Points
- RB* - Remote Ballast
- SP - Vibration Resistant Lamp Holder
- CB* - Crane Boom Modified Housing (Includes option SP)

*Cannot be field installed, specify at order placement.

SPARE PARTS

Part No.	Description	Part No.	Description
INX5027	MULTI TAP BALLAST, High Pressure Sodium	INX4004	LAMP HOLDER
INX5031	MULTI TAP BALLAST, Metal Halide	GKT6089-81	GASKET, Lens
INX5261	MULTI TAP BALLAST, Pulse Start Metal Halide	GKT6089-49	GASKET, Component Cover
INX5017	480V 60Hz BALLAST, High Pressure Sodium	INX7007A-1	MOUNTING, Surface Aluminum
INX5032	480V 60Hz BALLAST, Metal Halide	INX7007SS	MOUNTING, Surface Stainless Steel
INX5262	480V 60Hz BALLAST, Pulse Start Metal Halide	INX7006SS	MOUNTING, Pole Stainless Steel
INX3530	LAMP, High Pressure Sodium	INX7006A	MOUNTING, Pole Aluminum
INX3567	LAMP, Metal Halide	INX7091	MOUNTING, Pole Stainless Steel (No cable feed thru)
INX3741	LAMP, Pulse Start Metal Halide	INX7001	MOUNTING, Crane Boom (Requires crane boom housing)
INX2156	LENS	SC30H	SAFETY CABLE, 48" Stainless Steel, Snap Hook

DIMENSIONS



Pro

ProFlood Achiever QA/al



FEATURES

- 300 - 1500w quartz halogen.
- Rugged yoke mount floodlight with thermal shock resistant tempered glass lens.
- High temperature silicone gasket provides a watertight seal.
- Wide NEMA 6x 6 beam spread.
- Field replaceable lens and gasket.
- Protective guard available.



CHS Controls AB
Tel +46 42 38 61 00, Fax +46 42 38 61 29
chs@chscontrols.se www.chscontrols.se

APPLICATIONS

- Marine & watertight requirements
- Dusttight requirements
- Waste water treatment plants
- Pulp and paper production
- Corrosive environments

APPROVALS

- Conforms to IP66
- Marine Outside Type Saltwater
- ABS

STANDARDS

- UL 1598A - Luminaires for Marine Vessels

TECHNICAL SPECIFICATIONS

HOUSING

Copper free aluminum with an electrostatically applied black polyester powder coat finish.

WIND RATING

QA1603/1605: EPA - 0.9 at vertical.

QA1610/1615: EPA - 1.54 at vertical.

GUARD

Optional, type 316 stainless steel.

MOUNTING BRACKETS

Stainless steel, trunnion.

ENTRIES

One watertight cable gland and 6 feet of cable.

GASKETS

One piece silicone.

HARDWARE

Four stainless steel positive locking spring loaded latches.

REFLECTOR

Hammertone aluminum.

LENS

Tempered glass.

LAMP HOLDERS

Spring loaded.

VOLTAGE

300w, 500w models are rated for 120v only.

1000w, 1500w models are rated for 208v, 220v, or 240v.

LAMP TYPES

T3 quartz halogen.

300w, 500w lamps provided.

1000w, 1500w lamps not provided unless voltage is specified.

ORDERING REFERENCES

PART NUMBER	DESCRIPTION	ANSI LAMP TYPE	WEIGHT LBS
QA1603	300w Quartz Halogen	T-3 RSC	5.5
QA1605	500w Quartz Halogen	T-3 RSC	5.5
QA1610*	1000w Quartz Halogen	T-3 RSC	8.5
QA1615*	1500w Quartz Halogen	T-3 RSC	8.5

*Lamps not provided unless operating voltage is specified when ordering.

SPECIAL OPTIONS

- GRD* - Guard
- TV* - Top/Side Visor
- 208** - 208v (1500w only)
- 220** - 220v
- 240** - 240v

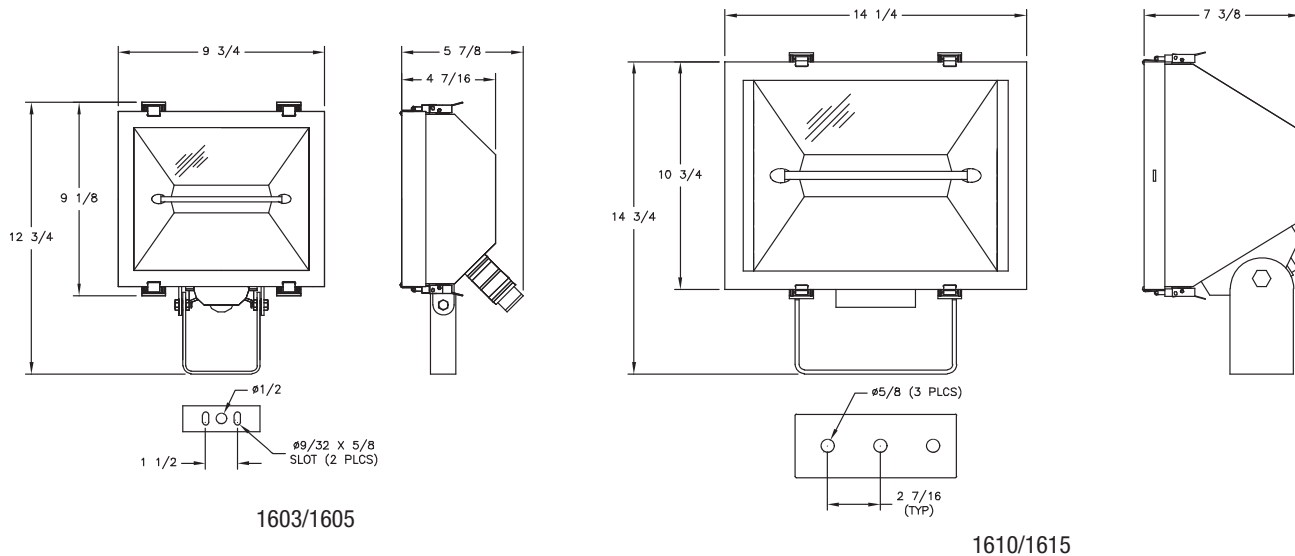
*Can not be field installed, specify at order placement.

**Not available in 300w or 500w.

SPARE PARTS

Part No.	Description		
INX2149	LENS, 300w-500w	INX3521	LAMP, 500w Halogen 120v
INX2160	LENS, 1000w-1500w	INX3635	LAMP, 1000w Halogen 220v
INX4095	LAMP HOLDER, 300w-500w	INX3645	LAMP, 1000w Halogen 240v
INX4084	LAMP HOLDER, 1000w-1500w	INX3640	LAMP, 1500w Halogen 208v
GKT6089-30.75	GASKET, 300w-500w	INX3522	LAMP, 1500w Halogen 220v
GKT6089-45	GASKET, 1000w-1500w	INX3646	LAMP, 1500w Halogen 240v
INX3609	LAMP, 300w Halogen 120v	SC30H	SAFETY CABLE, 48" Stainless Steel, Snap Hook

DIMENSIONS



Dimensions in inches

Pro

ProFlood Achiever QC/al



FEATURES

- 500w quartz halogen.
- Heavy duty "C" clamp design.
- High temperature silicone gaskets provide a watertight seal.
- Cast aluminum finned housing for greater heat dissipation.
- Separate wire connection box for ease of wiring.
- Hinged door for easy lamp replacement and maintenance.
- Thermal shock resistant, tempered 1/4" thick glass lens.
- Double spring loaded sockets extend lamp life in vibration areas.
- Wide NEMA 6 x 6 beam spread.
- Two mounting styles available: trunnion and post-top mount.
- Protective guard available.

APPLICATIONS

- Onshore drilling and exploration
- Dusttight requirements
- Pulp and paper production
- Emergency evacuation
- Vehicle accessory lighting
- General industrial area lighting
- Security lighting

APPROVALS

- Enclosed and gasketed
- Type 4
- Conforms to IP66
- ABS

STANDARDS

- UL 1598 - Luminaires
- CSA Class 3425 03
- CSA Class 3425 83

TECHNICAL SPECIFICATIONS

HOUSING AND LENS FRAME

Cast aluminum.

WIND RATING

EPA - <1 at vertical.

GUARD

Optional, type 18-8 stainless steel.

MOUNTING BRACKETS

Aluminum.

ENTRIES

One 1/2" NPT.

GASKETS

One piece silicone.

HARDWARE

Plated steel.

REFLECTOR

Highly specular aluminum.

VOLTAGE

120v, optional 220v.

LENS

Tempered, 1/4" thick glass.

LAMP TYPE

T3 quartz halogen provided.

LAMP HOLDER

Double spring loaded.

ORDERING REFERENCES

PART NUMBER	LAMP TYPE	WATTAGE/ VOLTAGE	WEIGHT LBS	ANSI LAMP TYPE	AMBIENT TEMP	SUPPLY WIRE TEMP
QAC511T	Quartz Halogen	500w 120v	9.5	T-3 RSC	25°C	90°C
QAC512T	Quartz Halogen	500w 240v	9.5	T-3 RSC	25°C	90°C

SPECIAL OPTIONS

- P - Post-top mount (Replace suffix T)
- WG - Stainless Steel Wire Guard

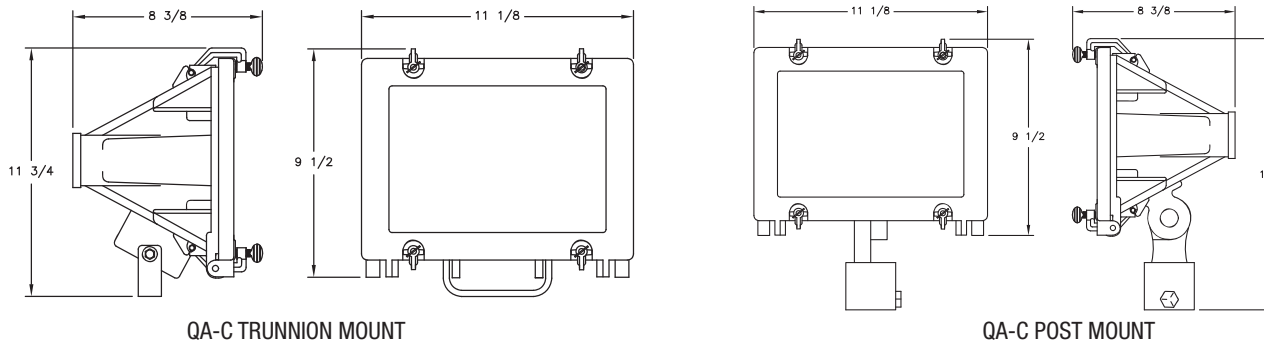
Notes:

1. Not certified for indoor use.

SPARE PARTS

Part No.	Description	Part No.	Description
050-0501	DOOR FRAME ASSEMBLY	756-0555	LAMP HOLDER, Quartz Lamp
050-0100	LENS, Tempered Glass	711-0501	LAMP, Quartz 500w, 130v
050-2000	GASKET, Lens	711-0502	LAMP, Quartz 500w, 240v
050-0500	GASKET, Junction Box Cover	500-0520	WIRE GUARD
050-5000	"C" CLAMP / THUMB SCREW	SC30H	SAFETY CABLE, 48" Stainless Steel, Snap Hook
050-4000	LAMP HOLDER ASSEMBLY		

DIMENSIONS



Dimensions in inches

Pro

ProFlood Achiever QL/al



FEATURES

- 500w quartz halogen.
- Single latch design.
- High temperature silicone gasket provides a watertight seal.
- Cast aluminum finned housing for greater heat dissipation.
- Hinged door for easy lamp replacement and maintenance.
- Thermal shock resistant, tempered ¼" thick glass lens.
- Double spring loaded sockets extend lamp life in vibration areas.
- Wide NEMA 6 x 6 beam spread.
- Two mounting styles available: trunion and post-top mount.
- Protective guard available.



CHS Controls AB
Tel +46 42 38 61 00, Fax +46 42 38 61 29
chs@chscontrols.se www.chscontrols.se

APPLICATIONS

- Dusttight requirements
- Pulp and paper production
- Emergency evacuation
- Vehicle accessory lighting
- General industrial area lighting
- Security lighting

APPROVALS

- Enclosed and gasketed
- Type 4
- Conforms to IP66
- ABS

STANDARDS

- UL 1598 - Luminaires
- CSA Class 3425 03
- CSA Class 3425 83

TECHNICAL SPECIFICATIONS

HOUSING AND LENS FRAME

Cast aluminum.

WIND RATING

EPA - <1 at vertical.

GUARD

Optional, type 18-8 stainless steel.

MOUNTING BRACKETS

Aluminum.

ENTRIES

One ½" NPT.

GASKET

One piece silicone.

HARDWARE

Plated steel.

REFLECTOR

Highly specular aluminum.

VOLTAGE

120v, optional 220v.

LENS

Tempered, ¼" thick glass.

LAMP TYPE

T3 quartz halogen provided.

LAMP HOLDER

Double spring loaded.

ORDERING REFERENCES

PART NUMBER	LAMP TYPE	WATTAGE/ VOLTAGE	WEIGHT LBS	ANSI LAMP TYPE	AMBIENT TEMP	SUPPLY WIRE TEMP
QAL501T	Quartz Halogen	500w 120v	8.5	T-3 RSC	25°C	90°C
QAL502T	Quartz Halogen	500w 240v	8.5	T-3 RSC	25°C	90°C

SPECIAL OPTIONS

- P - Post-top mount (Replace suffix T)
- WG - Stainless Steel Wire Guard

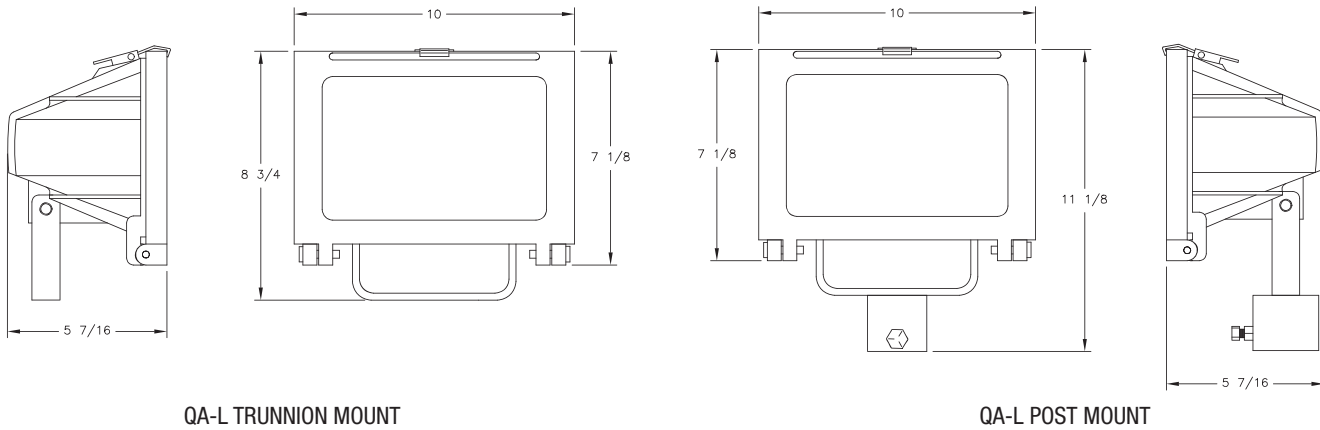
Notes:

1. Not certified for indoor use.

SPARE PARTS

Part No.	Description	Part No.	Description
055-0501	DOOR FRAME ASSEMBLY	756-0305	LAMP HOLDER, Quartz Lamp
055-0100	LENS, Tempered Glass	711-0501	LAMP, Quartz 500w, 130v
055-2000	GASKET, Lens	711-0502	LAMP, Quartz 500w, 240v
035-2065	LATCH	055-0520	WIRE GUARD
055-4000	LAMP HOLDER ASSEMBLY	SC30H	SAFETY CABLE, 48" Stainless Steel, Snap Hook

DIMENSIONS



QA-L TRUNNION MOUNT

QA-L POST MOUNT

Dimensions in inches

Pro

ProSpot 746M/al



Lamp Suspension System

FEATURES

- Unique lamp suspension system design absorbs vibration to extend lamp life up to 50% longer than competitive brands.
- High temperature silicone gasket provides a watertight seal.
- Adjustable mounting allows 360° horizontal rotation, vertical positioning down 45° and up 90°. 60° up with handle option.
- Medium flood with optional narrow or wide beam pattern. Lamp included.
- Range of colored lenses available in red, blue, green and yellow.
- Field replaceable lens and gasket.
- Protective guard available.

APPLICATIONS

- Marine and watertight requirements
- High vibration environments
- Dusttight requirements
- Military ships
- Patrol boats
- Coast Guard rescue vessels
- Life boat davits
- Surface mining

APPROVALS

- Type 4X
- Conforms to IP66
- Marine Outside Type Saltwater
- ABS

STANDARDS

- UL 1598A - Luminaires for Marine Vessels

TECHNICAL SPECIFICATIONS

HOUSING

Cast copper free aluminum with an electrostatically applied white polyester powder coat finish.

MOUNTING BASE

Cast copper free aluminum with an electrostatically applied black polyester powder coat finish.

GUARD

Stainless steel, optional.

LENS

Clear heat resistant glass. Optional colors: red, blue, green or yellow.

ENTRIES

1/2" NPT with cable gland and six feet of 16/3 cable. Optional 3/4" NPT.

HARDWARE

Stainless steel.

GASKET

One piece silicone.

LAMP TYPE

300w Medium Floodlight PAR56 or 500w Quartz Halogen. Lamp included. Optional narrow spot or wide beam lamps.

LAMP HOLDER

Mogul end prong, porcelain. Low voltage lamps wired direct.

VOLTAGE

Rated for operation on 120v. Optional 12v and 28v versions.

MOUNTING

Surface type.

TERMINAL BLOCK

2 pole terminal block.



CHS Controls AB
Tel +46 42 38 61 00, Fax +46 42 38 61 29
chs@chscontrols.se www.chscontrols.se

ORDERING REFERENCES

PART NUMBER	DESCRIPTION	ANSI LAMP TYPE	WEIGHT LBS
746AMR	300w Incandescent	PAR-56/MFL	22.0
746AQR	500w Quartz Halogen	PAR-56Q/MFL	22.0

SPECIAL OPTIONS

- GRD - Guard
- NSP* - Narrow Spot Light Type
- WFL* - Wide Floodlight Type
- HDL - Handle and Clamp
- 12 - 12v Medium Floodlight Type (300w)
- 28** - 28v Medium Floodlight Type (450w)
- RED - Red Colored Lens
- BLU - Blue Colored Lens
- GRN - Green Colored Lens
- YEL - Yellow Colored Lens

*For 120v only.

**10 hour lamp life.

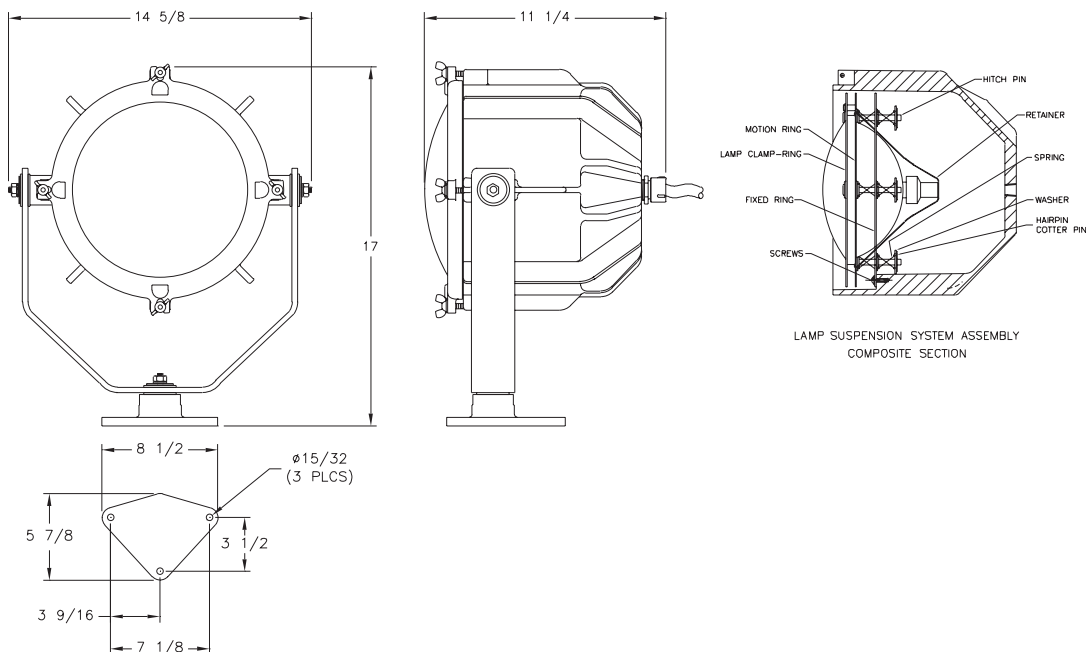
SPARE PARTS

Part No.	Description	Part No.	Description
INX4014	LAMP HOLDER	INX3509	LAMP, 300w MFL 120v
INX1041	GUARD	INX3510	LAMP, 300w NSP 120v
GKT6095	FRAME GASKET	INX3581	LAMP, 300w WFL 120v
INX9037A	LENS AND FRAME ASSEMBLY	INX3511	LAMP, 500w MFL 120v
INX7048A1	STANDARD MOUNT	INX3582	LAMP, 500w NSP 120v
FX3001	TERMINAL BLOCK	INX3583	LAMP, 500w WFL 120v
INX8099	SWING BOLT/NUT KIT, Stainless Steel (4 per package)	INX3576	LAMP, 300w MFL 12v
INX2143*	CLEAR LENS	INX3575	LAMP, 450w MFL 28v (10 hour lamp life)

*To order a colored lens add the appropriate suffix to the above part number:

- Red Lens RED Green Lens GRN
- Blue Lens BLU Yellow Lens YEL

DIMENSIONS



Dimensions in inches

Pro

ProSpot 749/al



FEATURES

- Floating lamp assembly absorbs vibration to extend lamp life.
- High temperature silicone gasket provides a watertight seal.
- Adjustable mounting allows 360° horizontal rotation, vertical positioning down 45° and up 90°. 60° up with handle option.
- Medium flood with optional narrow, very narrow or wide beam pattern. Lamp included.
- Range of colored lens available in red, blue, green and yellow.
- Field replaceable lens and gasket.
- Protective guard available.



CHS Controls AB
Tel +46 42 38 61 00, Fax +46 42 38 61 29
chs@chscontrols.se www.chscontrols.se

APPLICATIONS

- Marine and watertight requirements
- High vibration environments
- Military ships
- Patrol boats
- Coast Guard rescue vessels
- Life boat davits
- Surface mining

APPROVALS

- Type 4
- Conforms to IP66
- Marine Outside Type Saltwater
- ABS

STANDARDS

- UL 1598A - Luminaires for Marine Vessels

TECHNICAL SPECIFICATIONS

HOUSING

Cast copper free aluminum with an electrostatically applied white polyester powder coat finish.

MOUNTING BASE

Cast copper free aluminum with an electrostatically applied black polyester powder coat finish.

GUARD

Stainless steel, optional.

LENS

Clear heat resistant glass. Optional colors: red, blue, green or yellow (749A only).

ENTRIES

One sealed watertight cable gland and six feet of 16/3 cable.

HARDWARE

Stainless steel.

GASKET

One piece silicone.

LAMP TYPE

500w Medium Floodlight PAR64 or 1000w Quartz Halogen. Lamp included. Optional narrow spot, very narrow spot or wide beam lamps.

LAMP HOLDER

Mogul end prong, porcelain.

VOLTAGE

Rated for operation on 120v. Contact factory for other voltage and frequency options.

MOUNTING

Surface type.

ORDERING REFERENCES

PART NUMBER	DESCRIPTION	ANSI LAMP TYPE	WEIGHT LBS
749A	500w Incandescent	PAR-64/MFL	24.0
749AQ	1000w Quartz Halogen	PAR-64Q/MFL	24.0

SPECIAL OPTIONS

- GRD - Guard
- NSP - Narrow Spot Light Type
- VNS - Very Narrow Spot Light Type (749AQ only)
- WFL - Wide Floodlight Type
- HDL - Handle and Clamp
- RED* - Red Colored Lens
- BLU* - Blue Colored Lens
- GRN* - Green Colored Lens
- YEL* - Yellow Colored Lens

*Not available for the 1000w quartz version.

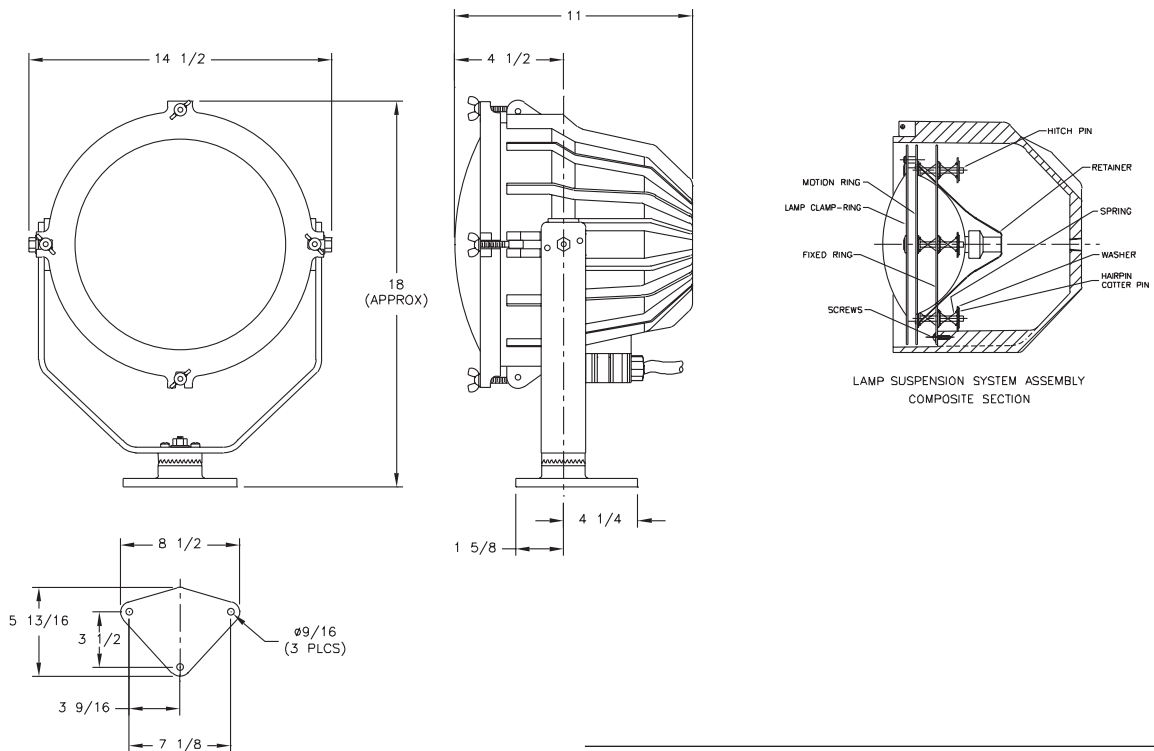
SPARE PARTS

Part No.	Description		
INX9051A	LENS AND FRAME ASSEMBLY	INX3512	LAMP, 500w MFL 120v
INX1060	GUARD	INX3513	LAMP, 500w NSP 120v
INX4014	LAMP HOLDER	INX3634	LAMP, 500w WFL 120v
GKT1146-32.5	LENS GASKET	INX3514	LAMP, 1000w MFL 120v
INX7048A	STANDARD MOUNT	INX3534	LAMP, 1000w NSP 120v
INX8100	SWING BOLT/NUT KIT, Stainless Steel (4 per package)	INX3649	LAMP, 1000w WFL 120v
INX2140CLR*	LENS	INX3652	LAMP, 1000w VNS 120v

*To order a colored lens replace the CLR with the appropriate suffix below:

- | | | | |
|-----------|-----|-------------|-----|
| Red Lens | RED | Green Lens | GRN |
| Blue Lens | BLU | Yellow Lens | YEL |

DIMENSIONS



Dimensions in inches

Pro

ProSpot 740/741/al



FEATURES

- High temperature silicone gasket provides a watertight seal.
- Medium flood with optional narrow or wide beam pattern. Lamp included.
- Adjustable mounting positions.
- Range of colored lenses available in red, blue, green and yellow.
- Field replaceable lens and gasket.
- Shock mount available.
- Protective guard available.



CHS Controls AB
Tel +46 42 38 61 00, Fax +46 42 38 61 29
chs@chscontrols.se www.chscontrols.se

APPLICATIONS

- Marine and watertight requirements
- Military ships
- Patrol boats
- Coast Guard rescue vessels
- Life boat davits

APPROVALS

- Type 4
- Conforms to IP66
- Marine Outside Type Saltwater
- ABS

STANDARDS

- UL 1598A - Luminaires for Marine Vessels

TECHNICAL SPECIFICATIONS

HOUSING

Cast copper free aluminum with an electrostatically applied white polyester powder coat finish.

MOUNTING BASE

Cast copper free aluminum with an electrostatically applied white polyester powder coat finish.

GUARD

Stainless steel, optional.

LENS

Clear heat resistant glass. Optional colors: red, blue, green or yellow.

ENTRIES

One sealed watertight cable gland and 6 feet of 16/3 cable.

HARDWARE

Stainless steel.

GASKET

One piece silicone.

LAMP TYPE

200w Medium floodlight PAR46 or 300w Medium Floodlight PAR56. Lamp included. Optional narrow spot or wide beam lamps.

LAMP HOLDER

Medium end prong, porcelain - 740 model.
Mogul end prong, porcelain - 741 model.

VOLTAGE

Rated for operation on 120v.

MOUNTING

Surface type.

ORDERING REFERENCES

PART NUMBER	DESCRIPTION	ANSI LAMP TYPE	WEIGHT LBS
740ASM	200w Incandescent	PAR-46/MFL	6.0
741ASM	300w Incandescent	PAR-56/MFL	8.0

SPECIAL OPTIONS

- GRD - Guard
- RS - Shock Mount
- HDL - Handle
- NSP - Narrow Spot Light Type
- WFL - Wide Floodlight Type (741 only)
- RED - Red Colored Lens
- BLU - Blue Colored Lens
- GRN - Green Colored Lens
- YEL - Yellow Colored Lens

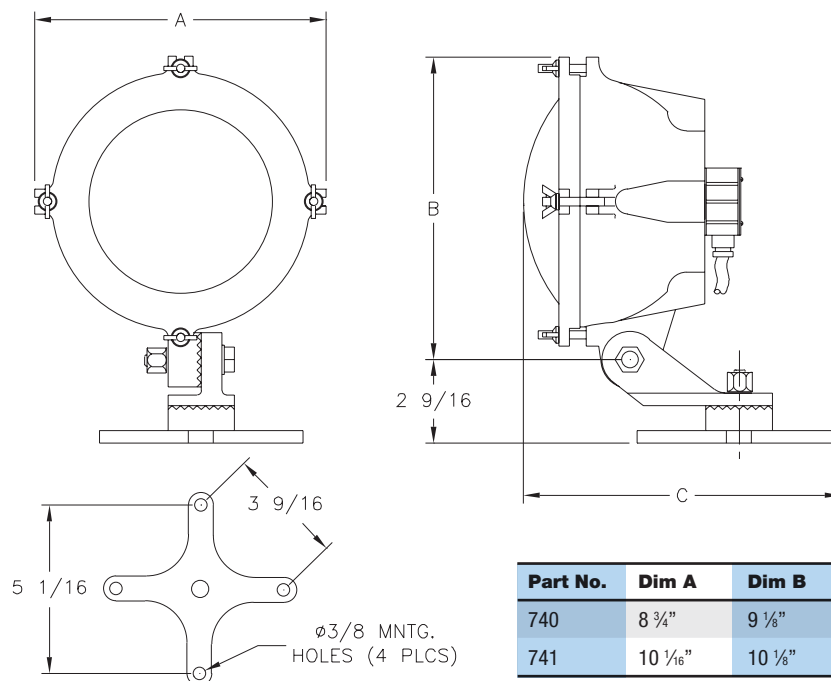
SPARE PARTS

Part No.	Description
INX4008	LAMP HOLDER, 740
INX4014	LAMP HOLDER, 741
INX1039	GUARD, 740
INX1040	GUARD, 741
GKT6043-22.5	GASKET, 740
GKT5204LCS-27	GASKET, 741
INX2117	LENS, 740 Clear*
INX2100	LENS, 741 Clear*
INX8001	SWING BOLT/NUT KIT, Stainless Steel (4 per package)
INX7005A	MOUNTING BASE
INX3508	LAMP - 740, 200w 120v Medium Flood Par 46
INX3619	LAMP - 740, 200w 120v Narrow Spot Par 46
INX3509	LAMP - 741, 300w 120v Medium Flood Par 56
INX3510	LAMP - 741, 300w 120v Narrow Spot Par 56
INX3581	LAMP - 741, 300w 120v Wide Flood Par 56

*To order a colored lens add the appropriate suffix to the above part number:

- | | | | |
|-----------|-----|-------------|-----|
| Red Lens | RED | Green Lens | GRN |
| Blue Lens | BLU | Yellow Lens | YEL |

DIMENSIONS



Dimensions in inches

Part No.	Dim A	Dim B	Dim C
740	8 3/4"	9 1/8"	8 7/16"
741	10 1/16"	10 1/8"	8 7/8"

Pro

ProGuard 707/al



FEATURES

- Available in 100w or 150w incandescent or 18w, 26w and 32w compact fluorescent.
- High temperature silicone gaskets provide a watertight seal.
- Choice of wall or flush wall mount.
- Protective guard provided.
- A wide variety of globe materials and colors.



CHS Controls AB
Tel +46 42 38 61 00, Fax +46 42 38 61 29
chs@chscontrols.se www.chscontrols.se

APPLICATIONS

- Wall mount type
- Marine and watertight requirements
- Dusttight requirements
- Freezer and refrigeration
- Pharmaceutical & additives formulation & processing
- Waste water treatment plants
- Bridge & pier lighting

APPROVALS

- Conforms to IP66
- Marine Outside Type Saltwater
- ABS

STANDARDS

- UL 1598A - Luminaires for Marine Vessels

TECHNICAL SPECIFICATIONS

HOUSING

Cast copper free aluminum.

GUARD

Cast copper free aluminum.

HARDWARE

Stainless steel.

ENTRIES

Standard units undrilled. Up to 1" NPT four way available. See ENTRY OPTIONS for selections.

GASKETS

One piece silicone.

MOUNTING

Wall and Flush.

LAMP HOLDER

Medium base, high temperature PBT. Nickel plated copper screw shell. Porcelain or shockproof optional. Compact fluorescent polycarbonate.

GLOBE

Glass, tempered glass or polycarbonate.

LAMP TYPE

Incandescent or 4 Pin compact fluorescent. Lamp not provided.

VOLTAGE

Incandescent rated to 300v.

Compact fluorescent rated to 120v 50/60Hz, optional 277v 50/60Hz.

TERMINAL BLOCK

Four pole or six pole optional for incandescent models only.

ORDERING REFERENCES

PART NUMBER	DESCRIPTION	LAMP MAX	WEIGHT LBS	BOX DEPTH
707A	Wall Mount	A-19 100w	2.8	2"
707A7	Wall Mount	A-21 150w	2.8	2"
F707A7-#	Wall Mount	CF	2.8	2"
707AF	Flush Mount	A-19 100w	3.3	2 3/8"
707AF7	Flush Mount	A-21 150w	3.3	2 3/8"
F707AF7-#	Flush Mount	CF	2.8	2 3/8"

Enter compact fluorescent (CF) wattage desired: 18, 26 or 32.

SPECIAL OPTIONS

- K - Double Pole Toggle Switch (Not for Flush mount)
- P* - Porcelain Lamp Holder
- SP - Shockproof Lamp Holder
- T* - Terminal Block (4 pole)
- T6* - Terminal Block (6 pole)
- FST - Frosted Globe
- PG** - Polycarbonate Clear Globe (Guard not provided)
- RED - Red Globe
- BLU - Blue Globe
- GRN - Green Globe
- YEL - Yellow Globe
- HR - Heat Resistant Clear Glass Globe
- 276 - 277v 60Hz (Compact fluorescent only)

*Not for use with compact fluorescent.

**100w incandescent and compact fluorescent only.

ENTRY OPTIONS

NPT Trade Size	Dead End	Thru Feed	90 Degree	X-Positions
1/2"	E1	C1	L1	X1
3/4"	E2	C2	L2	X2
1"	E3	C3	L3	X3

SPARE PARTS

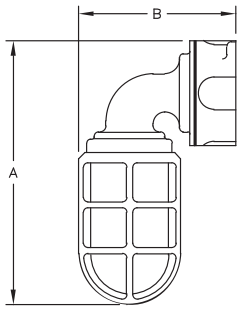
Part No.	Description	Part No.	Description
FX5206	BALLAST, 120VAC 50/60Hz	GKT2002SIL	GASKET, Globe 100w
FX5242	BALLAST, 277VAC 50/60Hz	GKT2002SIL	GASKET, Globe 150w
INX3528	LAMP, 100w Incandescent	GKT3000SIL	GASKET, Junction Box
INX3543	LAMP, 150w Incandescent	GKT3005	GASKET, Flush Box Flange
FX3552	LAMP, 18w Compact Fluorescent	INX1036A	GUARD, 100w
FX3553	LAMP, 26w Compact Fluorescent	INX1037A	GUARD, 150w
FX3554	LAMP, 32w Compact Fluorescent	INX6037A	JUNCTION BOX, Wall Mount
INX4000	LAMP HOLDER, Incandescent, Standard PBT	INX6055A	JUNCTION BOX, Flush Mount
INX4000P	LAMP HOLDER, Incandescent, Porcelain	CX3070	TERMINAL BLOCK, 4 pole
INX4000SP	LAMP HOLDER, Incandescent, Shockproof	CX3076	TERMINAL BLOCK, 6 pole
FX4030	LAMP HOLDER, Compact Fluorescent, 18w	GKT8000	SWITCH BOOT
FX4034	LAMP HOLDER, Compact Fluorescent, 26w & 32w	INX3012	DOUBLE POLE TOGGLE SWITCH
INX2006*	GLASS GLOBE, 100w 6"		
INX2007*	GLASS GLOBE, 150w 7"		

*Add one of the following suffix to the above part number to obtain the globe.

Clear Heat Resistant - HR Clear - CLR Green - GRN
Frosted - FST Red - RED Yellow - YEL Blue - BLU

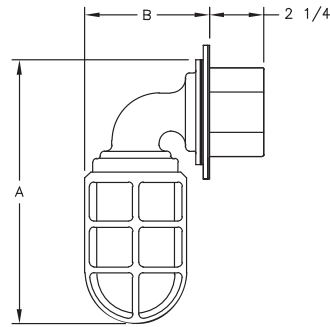
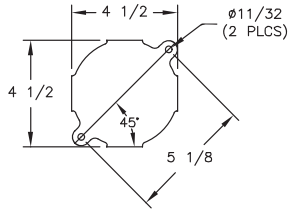
ProGuard 707/al

DIMENSIONS



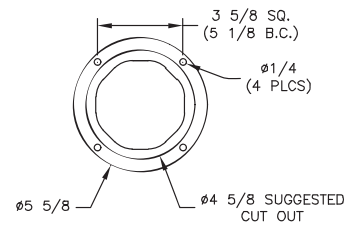
707

Part No.	Dim A	Dim B
707A	11"	6 3/4"
707A7	11 3/4"	6 3/4"



707F

Part No.	Dim A	Dim B
707AF	11"	5"
707AF7	11 3/4"	5"



NOTES

Pro

ProGuard 717/718/al



FEATURES

- Available in 100w, 150w, and 300w incandescent or 18w, 26w and 32w compact fluorescent.
- High temperature silicone gaskets provide a watertight seal.
- Protective guard provided.
- A wide variety of globe materials and colors.



CHS Controls AB
Tel +46 42 38 61 00, Fax +46 42 38 61 29
chs@chscontrols.se www.chscontrols.se

APPLICATIONS

- Ceiling mount type
- Marine and watertight requirements
- Dusttight requirements
- Freezer and refrigeration
- Pharmaceutical & additives formulation & processing
- Waste water treatment plants
- Bridge & pier lighting

APPROVALS

- Conforms to IP 66
- Marine Outside Type Saltwater
- ABS

STANDARDS

- UL 1598A - Luminaires for Marine Vessels

TECHNICAL SPECIFICATIONS

HOUSING

Cast copper free aluminum.

GUARD

Cast copper free aluminum.

HARDWARE

Stainless steel.

ENTRIES

Standard units undrilled. Up to 1" NPT four way available. See ENTRY OPTIONS for selections.

GASKETS

One piece silicone.

MOUNTING

Ceiling type.

LAMP HOLDER

Medium base, high temperature PBT. Nickel plated copper screw shell. Porcelain and shockproof optional. Compact fluorescent polycarbonate.

GLOBE

Glass, tempered glass or polycarbonate.

LAMP TYPE

Incandescent or 4 Pin compact fluorescent. Lamp not provided.

VOLTAGE

Incandescent rated to 300v.
Fluorescent rated to 120v 50/60Hz, optional 277v 50/60Hz.

TERMINAL BLOCK

Four pole or six pole optional for incandescent models only.

ORDERING REFERENCES

PART NUMBER	DESCRIPTION	LAMP MAX	WEIGHT LBS
717A	Ceiling Mount	A-19 100w	3.0
717A7	Ceiling Mount	A-21 150w	3.4
F717A7-#	Ceiling Mount	CF	3.7
718A	Ceiling Mount	PS-25 300w	4.2

Enter compact fluorescent (CF) wattage desired: 18, 26 or 32.

SPECIAL OPTIONS

- K - Double Pole Toggle Switch
- P* - Porcelain Lamp Holder
- SP - Shockproof Lamp Holder
- T* - Terminal Block (4 pole)
- T6* - Terminal Block (6 pole)
- HR - Heat Resistant Clear Glass Globe
- FST - Frosted Globe
- PG** - Polycarbonate Clear Globe (Guard not provided)
- RG - Red Globe
- BLU - Blue Globe
- GRN - Green Globe
- YEL - Yellow Globe
- L - Shallow Dome Reflector
- N - Angle Dome Reflector
- 276 - 277V 60Hz (Compact fluorescent only)

*Not available with compact fluorescent.

**100w incandescent or compact fluorescent only.

ENTRY OPTIONS

NPT Trade Size	Dead End	Thru Feed	90 Degree	X-Positions
1/2"	E1	C1	L1	X1
3/4"	E2	C2	L2	X2
1"	E3	C3	L3	X3

SPARE PARTS

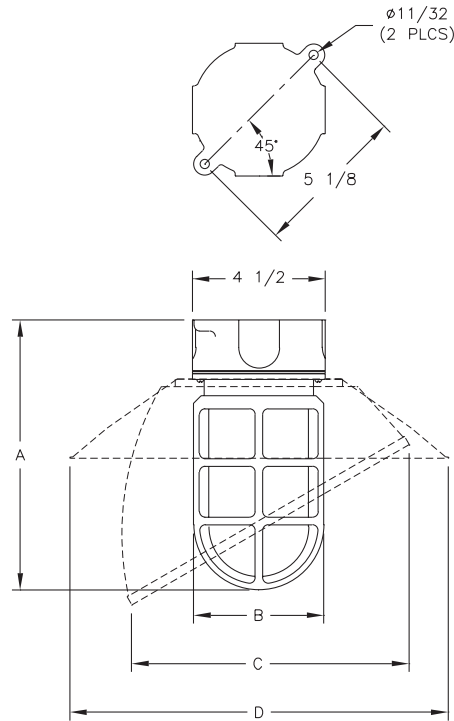
Part No.	Description	Part No.	Description
FX5206	BALLAST, 120VAC 50/60Hz	GKT2002SIL	GASKET, Globe 150w
FX5242	BALLAST, 277VAC 50/60Hz	GKT1149SIL	GASKET, Globe 300w
INX3528	LAMP, 100w Incandescent	GKT3000SIL	GASKET, Junction Box
INX3543	LAMP, 150w Incandescent	INX1036A	GUARD, 100w 6"
INX3678	LAMP, 200w Incandescent	INX1037A	GUARD, 150w 7"
INX3559	LAMP, 300w Incandescent	INX1020A	GUARD, 300w 9"
FX3552	LAMP, 18w Compact Fluorescent	INX6037A	JUNCTION BOX
FX3553	LAMP, 26w Compact Fluorescent	CX3070	TERMINAL BLOCK, 4 pole
FX3554	LAMP, 32w Compact Fluorescent	CX3076	TERMINAL BLOCK, 6 pole
INX4000	LAMP HOLDER, Incandescent, Standard PBT	INX3012	DOUBLE POLE TOGGLE SWITCH
INX4000P	LAMP HOLDER, Incandescent, Porcelain	GKT8000	SWITCH BOOT
INX4000SP	LAMP HOLDER, Incandescent, Shockproof	INX4544	REFLECTOR, Shallow Dome, 100w/150w
FX4030	LAMP HOLDER, Compact Fluorescent, 18w	INX4546A	REFLECTOR, Shallow Dome, 300w
FX4034	LAMP HOLDER, Compact Fluorescent, 26w & 32w	INX4539A	REFLECTOR, Angle Dome, 100w/150w
INX2006*	GLASS GLOBE, 100w 6"	INX4542A	REFLECTOR, Angle Dome, 300w
INX2007*	GLASS GLOBE, 150w 7"		
INX2009*	GLASS GLOBE, 300w 9"		
GKT2002SIL	GASKET, Globe 100w		

*Add one of the following suffix to the above part number to obtain the globe.

Clear Heat Resistant - HR Clear - CLR Green - GRN
Frosted - FST Red - RED Yellow - YEL Blue - BLU

ProGuard 717/718/al

DIMENSIONS



Dimensions in inches

			Option "N"	Option "L"
Part No.	Dim A	Dim B	Dim C	Dim D
717A	$9 \frac{1}{8}$ "	$4 \frac{1}{4}$ "	$9 \frac{1}{4}$ "	$12 \frac{1}{2}$ "
717A7	$9 \frac{7}{8}$ "	$4 \frac{1}{4}$ "	$9 \frac{1}{4}$ "	$12 \frac{1}{2}$ "
718A	$12 \frac{1}{2}$ "	6"	$10 \frac{3}{4}$ "	$15 \frac{3}{4}$ "

NOTES

Pro

ProGuard **Exacta/al**



FEATURES

- Available in 150w incandescent or 18w, 26w and 32w compact fluorescent.
- Approved for use in Class II dust areas.
- High temperature silicone gasket provides a watertight seal.
- Watertight mounting in any direction.
- Optional cast aluminum, polymeric or stainless steel guards.
- A wide variety of globe materials and colors.

APPLICATIONS

- Ceiling, pendant and wall mount types
- Watertight requirements
- Dusttight requirements
- Freezer and refrigeration
- Pharmaceutical & additives formulation & processing
- Waste water treatment plants

APPROVALS

- Enclosed & Gasketed
- Type 4
- Conforms to IP66

STANDARDS

- UL 1598 - Luminaires
- CSA - C22.2 250 04
- CSA - C22.2 141

TECHNICAL SPECIFICATIONS

HOUSING

Cast copper free aluminum with an electrostatically applied polyester powder coat finish.

GUARD

Optional, cast aluminum, nylon 6/6 or stainless steel guard.

HARDWARE

Stainless steel.

ENTRIES

1/2" or 3/4" NPT.

GASKETS

One piece silicone.

MOUNTING

Ceiling, pendant or wall.

LAMP HOLDER

Incandescent, medium base porcelain. Compact fluorescent, polycarbonate.

GLOBE

Glass, tempered glass or polycarbonate.

LAMP TYPE

A-21 150w incandescent or 4 Pin compact fluorescent. Lamps not provided unless option "L" is selected.

VOLTAGE

Incandescent rated to 240.

Fluorescent rated to 120v 50/60Hz, optional 277v 50/60Hz.

Lamp Type	Lamp Wattage	Globe	Supply Wire
Incandescent	150	Glass	90°C
Incandescent	100	Glass	90°C
Incandescent	100	Polycarbonate	90°C
Compact fluorescent	32 Max	All	90°C

ORDERING REFERENCES

1. Series
ACEV

2. Lamp Type
151 - 150 watt max incandescent
18F - 18 watt compact fluorescent
26F - 26 watt compact fluorescent
32F - 32 watt compact fluorescent

3. Voltage / Frequency
1 - 120v 50/60 Hz
2 - 240v 50/60 Hz (Incandescent only)
3 - 277v 50/60 Hz (Compact fluorescent only)

4. Globe Type
GC* - Glass, clear
PC* - Polycarbonate, clear
PP - Polycarbonate, prismatic
TG - Tempered Glass, clear

5. Guard
G - Guard, cast (Glass globes only)
GP - Guard, polymeric (Glass globes only)
GW - Guard, stainless steel wire

*For colored globes replace "C" with first letter of color required. (ie.: "GR" for red glass globe.) Colors available: Amber, Blue, Green, Red and White.

Globe use - mounting warning:
Glass globes 150 watt max, any mounting position. Polycarbonate globe 100 watt max, base up only. Polycarbonate globe 60 watt max, any mounting position.

6. Mounting Options
C1 - Ceiling Mount, feed through 1/2" NPT
C2 - Ceiling Mount, feed through 3/4" NPT
P1 - Pendant Mount, 1/2" NPT
P2 - Pendant Mount, 3/4" NPT
W1 - Wall Mount & Outlet Box, 1/2" NPT
W2 - Wall Mount & Outlet Box, 3/4" NPT
WB - Wall Mount without Outlet Box

7. Special Options
L* - Lamp

*Lamp not included unless option "L" is specified.

Notes
1. Consult factory for options not listed.

COMMONLY ORDERED LUMINAIRES

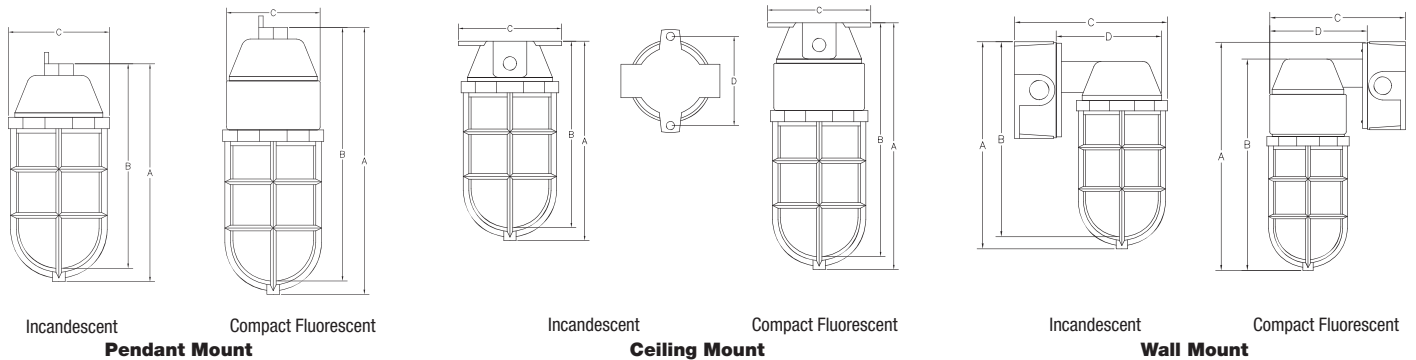
Part No.	Mounting	Lamp Type	Lamp Wattage	Weight		Shipping Volume
				Lbs	Kg	
ACE V151 1GC G P1	PENDANT	Incandescent	150	3.7	1.65	0.5 ft ³
ACE V18F 1GC G P1	PENDANT	Compact Fluorescent	18	5.1	2.30	0.8 ft ³
ACE V26F 1GC G P1	PENDANT	Compact Fluorescent	26	5.1	2.30	0.8 ft ³
ACE V32F 1GC G P1	PENDANT	Compact Fluorescent	32	5.1	2.30	0.8 ft ³
ACE V151 1GC G C1	CEILING	Incandescent	150	4.1	1.85	0.5 ft ³
ACE V18F 1GC G C1	CEILING	Compact Fluorescent	18	5.5	2.50	0.8 ft ³
ACE V26F 1GC G C1	CEILING	Compact Fluorescent	26	5.5	2.50	0.8 ft ³
ACE V32F 1GC G C1	CEILING	Compact Fluorescent	32	5.5	2.50	0.8 ft ³
ACE V151 1GC G W1	WALL	Incandescent	150	5.4	2.45	0.5 ft ³
ACE V18F 1GC G W1	WALL	Compact Fluorescent	18	6.8	3.10	0.8 ft ³
ACE V26F 1GC G W1	WALL	Compact Fluorescent	26	6.8	3.10	0.8 ft ³
ACE V32F 1GC G W1	WALL	Compact Fluorescent	32	6.8	3.10	0.8 ft ³

ProGuard **Exacta**/al

SPARE PARTS

Part No.	Description		
FX5206	BALLAST, 120v, 18w CF	INX2007RED	GLASS GLOBE, Red
FX5206	BALLAST, 120v, 26w CF	INX2007GRN	GLASS GLOBE, Green
FX5206	BALLAST, 120v, 32w CF	INX2007BLU	GLASS GLOBE, Blue
FX3552	LAMP, 18w CF	INX2007YEL	GLASS GLOBE, Amber
FX3553	LAMP, 26w CF	INX2007HR	GLASS GLOBE, Clear Tempered
FX3554	LAMP, 32w CF	P100C	GLOBES, Clear Polycarbonate
INX3558	LAMP, 150w Incandescent	INXGC150	CAST GUARD
FX4030	LAMP HOLDER, 18w CF	INXGW150	STAINLESS STEEL GUARD
FX4034	LAMP HOLDER, 26w CF	INXGP150	POLYMERIC GUARD
FX4034	LAMP HOLDER, 32w CF	GKT101-0002	JUNCTION BOX GASKET
INX755-0930	LAMP HOLDER, Incandescent		
INX2007CLR	GLASS GLOBE, Clear		

DIMENSIONS



Mount	Pendant Mount		Ceiling Mount		Wall Mount	
	Incandescent	Compact Fluorescent	Incandescent	Compact Fluorescent	Incandescent	Compact Fluorescent
Type						
A	9.75 (24.8)	12.13 (30.8)	9.25 (23.5)	11.13 (28.3)	10.13 (25.7)	12.5 (31.8)
B	9.25 (23.5)	11.63 (29.5)	8.75 (22.2)	10.63 (27.0)	9.63 (24.5)	12.0 (30.5)
C	4.34 (11)	4.34 (11)	4.63 (11.7)	4.63 (11.7)	7.25 (18.4)	7.25 (18.4)
D	--	--	4.00 (10.2)	4.00 (10.2)	5.13 (13)	5.13 (13)

Dimensions are in inches (cm).

NOTES

Pro

ProGuard 735/738/al



FEATURES

- Available in 100w and 150w incandescent.
- Compact, one-piece wall mount design minimizes protrusion.
- Wire access chamber for ease of installation and maintenance.
- High temperature silicone gaskets provide a watertight seal.
- Protective guard provided.
- A wide variety of globe materials and colors.



CHS Controls AB
Tel +46 42 38 61 00, Fax +46 42 38 61 29
chs@chscontrols.se www.chscontrols.se

APPLICATIONS

- Wall mount type
- Marine and watertight requirements
- Dusttight requirements
- Freezer and refrigeration
- Pharmaceutical & additives formulation & processing
- Waste water treatment plants
- Bridge & pier lighting

APPROVALS

- Conforms to IP66
- Marine Outside Type Saltwater
- ABS

STANDARDS

- UL 1598A - Luminaires for Marine Vessels

TECHNICAL SPECIFICATIONS

HOUSING

Cast copper free aluminum.

GUARD

Cast copper free aluminum.

HARDWARE

Stainless steel.

ENTRIES

Standard two 1/2" NPT outlets. Up to 3/4" NPT through feed available. See ENTRY OPTIONS for selections.

GASKETS

One piece silicone.

MOUNTING

Wall type.

LAMP HOLDER

Medium base, high temperature PBT. Nickel plated copper screw shell. Porcelain or shockproof optional.

GLOBE

Glass, tempered or polycarbonate.

LAMP TYPE

Incandescent. Lamp not provided.

VOLTAGE

Rated up to 300v AC.

SWITCH

Double pole toggle switch with a watertight boot, optional.

ORDERING REFERENCES

PART NUMBER	DESCRIPTION	LAMP MAX	WEIGHT LBS
735A	Wall Mount	A-19 100w	2.5
738A	Wall Mount	A-21 150w	2.9

SPECIAL OPTIONS

- P - Porcelain Lamp Holder
- SP - Shockproof Lamp Holder
- K - Double Pole Toggle Switch
- RED - Red Globe
- BLU - Blue Globe
- GRN - Green Globe
- YEL - Yellow Globe
- FST - Frosted Globe
- PG* - Polycarbonate Clear Globe (Guard not provided)
- HR - Heat Resistant Clear Glass Globe
- T - Terminal Block (4 Pole)

*100w incandescent only.

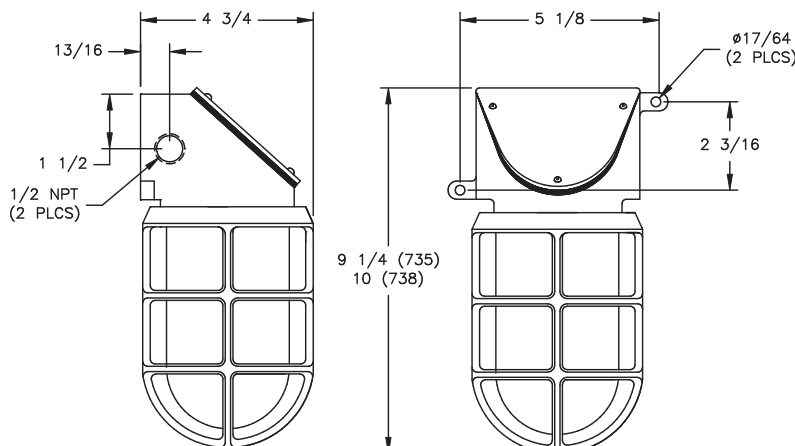
ENTRY OPTIONS

NPT Trade Size	Dead End	Thru Feed
1/2"	E1	Std.
3/4"	E2	C2

SPARE PARTS

Part No.	Description
INX3528	LAMP, 100w A-19
INX3543	LAMP, 150w A-21
INX4000	LAMP HOLDER, Incandescent, Standard PBT
INX4000P	LAMP HOLDER, Incandescent, Porcelain
INX4000SP	LAMP HOLDER, Incandescent, Shockproof
INX2006CLR	GLASS GLOBE, 100w 6", Clear
INX2006GRN	GLASS GLOBE, 100w 6", Green
INX2006BLU	GLASS GLOBE, 100w 6", Blue
INX2006RED	GLASS GLOBE, 100w 6", Red
INX2006YEL	GLASS GLOBE, 100w 6", Yellow
INX2006FST	GLASS GLOBE, 100w 6", Frosted
INX2006HR	GLASS GLOBE, 100w 6", Clear Heat Resistant
INX2007CLR	GLASS GLOBE, 150w 7", Clear
INX2007GRN	GLASS GLOBE, 150w 7", Green
INX2007BLU	GLASS GLOBE, 150w 7", Blue
INX2007RED	GLASS GLOBE, 150w 7", Red
INX2007YEL	GLASS GLOBE, 150w 7", Yellow
INX2007FST	GLASS GLOBE, 150w 7", Frosted
INX2007HR	GLASS GLOBE, 150w 7", Clear Heat Resistant
INX1036A	GUARD, 100w 6"
INX1037A	GUARD, 150w 7"
GKT2002SIL	GASKET, Globe
GKT6019	GASKET, Cover
INX3012	DOUBLE POLE TOGGLE SWITCH
GKT8000	WATERTIGHT SWITCH BOOT
CX3070	TERMINAL BLOCK 4 Pole

DIMENSIONS



Dimensions in inches

Pro

ProGuard 729/730/al



FEATURES

- Available in 100w, 150w, and 300w incandescent or 18w, 26w and 32w compact fluorescent.
- High temperature silicone gaskets provide a watertight seal.
- Choice of wall or flush wall mount.
- Protective guard provided.
- A wide variety of globe materials and colors.



CHS Controls AB
Tel +46 42 38 61 00, Fax +46 42 38 61 29
chs@chscontrols.se www.chscontrols.se

APPLICATIONS

- Wall mount type
- Marine and watertight requirements
- Dusttight requirements
- Freezer and refrigeration
- Pharmaceutical & additives formulation & processing
- Waste water treatment plants
- Bridge & pier lighting

APPROVALS

- Conforms to IP 66
- Marine Outside Type Saltwater
- ABS

STANDARDS

- UL 1598A - Luminaires for Marine Vessels

TECHNICAL SPECIFICATIONS

HOUSING

Cast copper free aluminum.

GUARD

Cast copper free aluminum.

HARDWARE

Stainless steel.

ENTRIES

Standard units undrilled. Up to 1" NPT four way available. See ENTRY OPTIONS for selections.

GASKETS

One piece silicone.

MOUNTING

Wall and Flush.

LAMP HOLDER

Medium base, high temperature PBT. Nickel plated copper screw shell. Shockproof or porcelain optional. Compact fluorescent polycarbonate.

GLOBE

Glass, tempered glass or polycarbonate.

LAMP TYPE

Incandescent or 4 Pin compact fluorescent. Lamp not provided.

VOLTAGE

Incandescent rated to 300v.
Compact fluorescent rated to 120v 50/60Hz, optional 277v 50/60Hz.

TERMINAL BLOCK

Four pole or six pole optional for incandescent models only.

SWITCH

Double pole toggle switch with a watertight boot, optional.

ORDERING REFERENCES

PART NUMBER	DESCRIPTION	LAMP MAX	WEIGHT LBS	BOX DEPTH
729A	Wall Mount	A-19 100w	3.2	2"
729A7	Wall Mount	A-21 150w	3.4	2"
F729A7-#	Wall Mount	CF	3.4	2"
730A	Wall Mount	PS-25 300w	4.4	2"
729AF	Flush Mount	A-19 100w	3.7	2 $\frac{3}{8}$ "
729AF7	Flush Mount	A-21 150w	4.1	2 $\frac{3}{8}$ "
F729AF7-#	Flush Mount	CF	4.1	2 $\frac{3}{8}$ "
730AF	Flush Mount	PS-25 300w	5.1	2 $\frac{3}{8}$ "

Enter compact fluorescent (CF) wattage desired: 18, 26 or 32.

SPECIAL OPTIONS

- K - Double Pole Toggle Switch (Not for flush mount)
- P* - Porcelain Lamp Holder
- SP - Shockproof Lamp Holder
- T* - Terminal Block (4 pole)
- T6* - Terminal Block (6 pole)
- FST - Frosted Globe
- HR - Heat Resistant Clear Glass Globe
- PG** - Polycarbonate Clear Globe (Guard not provided)
- RED - Red Globe
- BLU - Blue Globe
- GRN - Green Globe
- YEL - Yellow Globe
- 276 - 277v 60Hz (Compact fluorescent only)

*Not available with compact fluorescent.

**100w incandescent or compact fluorescent only.

ENTRY OPTIONS

NPT Trade Size	Dead End	Thru Feed	90 Degree	X-Positions
1/2"	E1	C1	L1	X1
3/4"	E2	C2	L2	X2
1"	E3	C3	L3	X3

SPARE PARTS

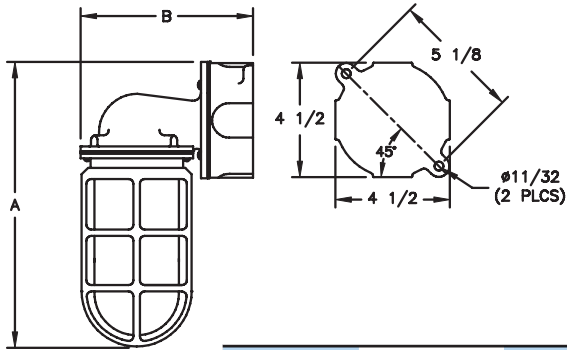
Part No.	Description		
FX5206	BALLAST, 120VAC 50/60Hz	GKT2002SIL	GLOBE GASKET, Globe 100w
FX5242	BALLAST, 277VAC 50/60Hz	GKT2002SIL	GLOBE GASKET, Globe 150w
INX3528	LAMP, 100w Incandescent	GKT1149SIL	GLOBE GASKET, Globe 300w
INX3543	LAMP, 150w Incandescent	GKT3000SIL	GLOBE GASKET, Junction Box
INX3559	LAMP, 300w Incandescent	INX1036A	GUARD, 100w 6"
FX3552	LAMP, 18w Compact Fluorescent	INX1037A	GUARD, 150w 7"
FX3553	LAMP, 26w Compact Fluorescent	INX1020A	GUARD, 300w 9"
FX3554	LAMP, 32w Compact Fluorescent	INX6037A	JUNCTION BOX, Wall Mount
INX4000	LAMP HOLDER, Incandescent, Standard PBT	INX6055A	JUNCTION BOX, Flush Mount
INX4000P	LAMP HOLDER, Incandescent, Porcelain	CX3070	TERMINAL BLOCK, 4 pole
INX4000SP	LAMP HOLDER, Incandescent, Shockproof	CX3076	TERMINAL BLOCK, 6 pole
FX4030	LAMP HOLDER, Compact Fluorescent, 18w	GKT8000	SWITCH BOOT
FX4034	LAMP HOLDER, Compact Fluorescent, 26w & 32w	INX3012	DOUBLE POLE TOGGLE SWITCH
INX2006*	GLASS GLOBE, 100w 6"		
INX2007*	GLASS GLOBE, 150w 7"		
INX2009*	GLASS GLOBE, 300w 9"		

*Add one of the following suffix to the above part number to obtain the globe.

Clear Heat Resistant - HR Clear - CLR Green - GRN
Frosted - FST Red - RED Yellow - YEL Blue - BLU

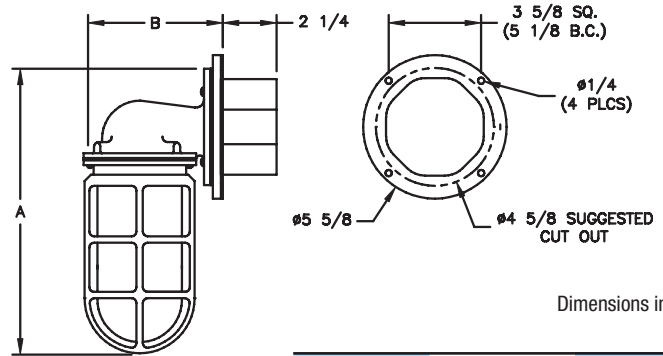
ProGuard 729/730/al

DIMENSIONS



729A & 730A

Part No.	Dim A	Dim B
729A	10 1/8"	7 1/8"
729A7	10 7/8"	7 1/8"
730A	13 1/2"	9 9/16"



729AF & 730AF

Part No.	Dim A	Dim B
729AF	10 1/8"	5 3/8"
729AF7	10 7/8"	5 3/8"
730AF	13 1/2"	7 13/16"

Dimensions in inches



NOTES

Pro

ProGuard 767/al



FEATURES

- Available in 100w and 150w incandescent.
- Compact, one piece pendant mount design.
- High temperature silicone gasket provides a watertight seal.
- Protective guard provided.
- Choice of angle or shallow dome reflectors.
- A wide variety of globe materials and colors.



CHS Controls AB
Tel +46 42 38 61 00, Fax +46 42 38 61 29
chs@chscontrols.se www.chscontrols.se

APPLICATIONS

- Pendant mount type
- Marine and watertight requirements
- Dusttight requirements
- Freezer and refrigeration
- Pharmaceutical & additives formulation & processing
- Waste water treatment plants
- Bridge & pier lighting

APPROVALS

- Conforms to IP66
- Marine Outside Type Saltwater
- ABS

STANDARDS

- UL 1598A - Luminaires for Marine Vessels

TECHNICAL SPECIFICATIONS

PENDANT HOUSING

Cast copper free aluminum.

GUARD

Cast copper free aluminum.

HARDWARE

Stainless steel.

ENTRIES

Standard one ½" NPT outlet. Optional ¾" NPT.

GASKET

One piece silicone.

MOUNTING

Pendant type.

LAMP HOLDER

Medium base, high temperature PBT. Nickel plated copper screw shell. Porcelain or shockproof optional.

GLOBE

Glass, tempered glass or polycarbonate.

LAMP TYPE

Incandescent. Lamp not provided.

VOLTAGE

Rated up to 300v AC.

ORDERING REFERENCES

PART NUMBER	DESCRIPTION	LAMP MAX	WEIGHT LBS
767A	Pendant Mount	A-19 100w	1.6
767A7	Pendant Mount	A-21 150w	1.8

SPECIAL OPTIONS

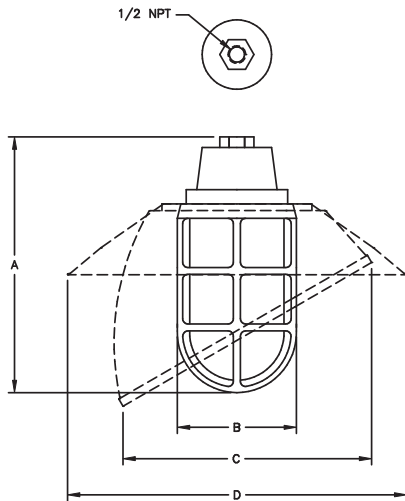
- P - Porcelain Lamp Holder
- SP - Shockproof Lamp Holder
- PG* - Polycarbonate Clear Globe (Guard not provided)
- HR - Heat Resistant Clear Glass Globe
- FST - Frosted Globe
- RED - Red Globe
- BLU - Blue Globe
- GRN - Green Globe
- YEL - Yellow Globe
- E2 - 3/4" NPT Mounting
- L - Shallow Dome Reflector
- N - Angle Dome Reflector

*100w incandescent only.

SPARE PARTS

Part No.	Description	Part No.	Description
INX3528	LAMP, 100w	INX1037A	GUARD, 100w 6"
INX3543	LAMP, 150w	INX1037A	GUARD, 150w 7"
INX4000	LAMP HOLDER, Standard PBT	INX4544	REFLECTOR, Shallow Dome, 100w/150w
INX4000P	LAMP HOLDER, Porcelain	INX4539A	REFLECTOR, Angle Dome, 100w/150w
INX4000SP	LAMP HOLDER, Shockproof	INX2006*	GLASS GLOBE, 100w 6"
GKT2002SIL	GASKET, 100w	INX2007*	GLASS GLOBE, 150w 7"
GKT2002SIL	GASKET, 150w		

*Add one of the following suffix to the above part number to obtain the globe.
Clear Heat Resistant - HR Clear - CLR Green - GRN
Frosted - FST Red - RED Yellow - YEL Blue - BLU



Dimensions in inches

DIMENSIONS

Part No.	A	B	Option "N" C	Option "L" D
767A	8 3/4"	4 1/4"	9 1/4"	12 1/2"
767A7	9 1/2"	4 1/4"	9 1/4"	12 1/2"

Pro

ProGuard 1440/al



FEATURES

- Low profile heavy duty cargo hold or pit light.
- Designed for severe and harsh environments.
- Available in 100w incandescent. Suitable for self ballasted compact fluorescent.
- Hinged guard and captive hardware for ease of relamping.
- Neoprene gaskets resist petroleum and provide a watertight seal.



CHS Controls AB
Tel +46 42 38 61 00, Fax +46 42 38 61 29
chs@chscontrols.se www.chscontrols.se

APPLICATIONS

- Marine and watertight requirements
- Transportation / exploration vessels
- Ferries
- Tankers
- Cargo hold lighting
- Pit lighting

APPROVALS

- Conforms to IP 66
- Marine Outside Type Saltwater
- ABS

STANDARDS

- UL 1598A - Luminaires for Marine Vessels

TECHNICAL SPECIFICATIONS

HOUSING & GUARD

Cast copper free aluminum.

REFLECTOR

Type 5052H32 aluminum with an electrostatically applied white polyester powder coat finish. Minimum 90% reflectance.

HARDWARE

Stainless steel.

ENTRIES

Standard units undrilled. Up to 3/4" NPT four way available. See ENTRY OPTIONS for selections.

GASKETS

One piece neoprene.

MOUNTING

Ceiling type.

LAMP HOLDER

Medium base, phenolic.

GLOBE

Clear impact resistant glass.

LAMP TYPE

A-19 100w max or self ballasted compact fluorescent. Lamp not provided.

VOLTAGE

Rated for use to 250v AC.

TERMINAL BLOCK

Four pole 20 Amp terminal block provided.

ORDERING REFERENCES

PART NUMBER	DESCRIPTION	LAMP MAX	WEIGHT LBS
1440A	Cargo Hold	A-19 100w	5.8

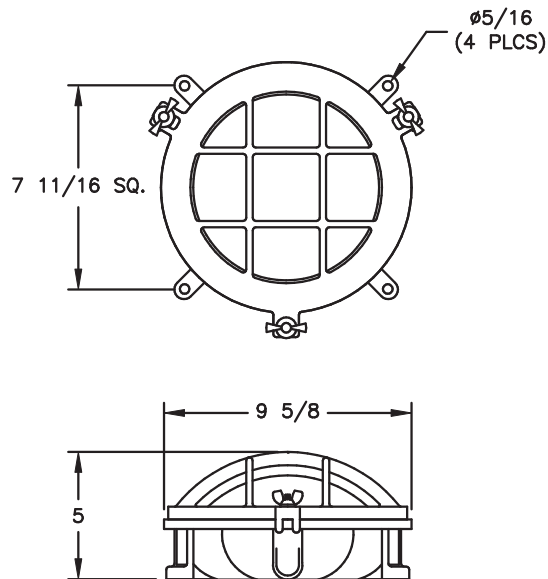
ENTRY OPTIONS

NPT Trade Size	Dead End	Thru Feed	90 Degree	X-Positions
1/2"	E1	C1	L1	X1
3/4"	E2	C2	L2	X2

SPARE PARTS

Part No.	Description		
INX4081	LAMP HOLDER, Phenolic	GKT1019SIL	GASKET, 100w Lens
INX1048A	GUARD, 100w	GKT1025	GASKET, 100w Housing
INX2143	GLOBE, 100w Clear	CX3070	TERMINAL BLOCK, 4 pole
INX3528	LAMP, 100w		

DIMENSIONS



1440

Dimensions in inches

Pro

ProMark 1158/1159/al



FEATURES

- Steady burn marker.
- Available in 100w incandescent or 13w, 18w, 26w and 32w compact fluorescent.
- High temperature silicone gaskets provide a watertight seal.
- Watertight mounting in any direction.
- Protective guard available.
- Heat and impact resistant glass fresnel lens in clear, yellow, green, red or blue.



CHS Controls AB
Tel +46 42 38 61 00, Fax +46 42 38 61 29
chs@chscontrols.se www.chscontrols.se

APPLICATIONS

- Obstruction marking
- Heli-pad marking
- Ceiling/surface or stem/pendant mount types
- Marine and watertight requirements

APPROVALS

- Conforms to IP66
- Marine Outside Type Saltwater
- ABS

STANDARDS

- UL 1598A - Luminaires for Marine Vessels

TECHNICAL SPECIFICATIONS

HOUSING

Cast copper free aluminum.

GUARD

Optional, cast copper free aluminum.

HARDWARE

Stainless steel.

ENTRIES

Stem/pendant type - one 3/4" NPT.

Ceiling/surface type - undrilled, up to 3/4" NPT four way available.

See ENTRY OPTIONS for selections.

GASKETS

One piece silicone.

MOUNTING

Ceiling/surface or stem/pendant.

LAMP HOLDER

Medium base, high temperature PBT. Nickel plated copper screw shell. Compact fluorescent polycarbonate. Porcelain or shockproof optional.

LENS

Tempered fresnel glass in clear red, blue, green or yellow.

LAMP TYPE

A-19 100w incandescent or 4 Pin compact fluorescent. Lamp not provided.

VOLTAGE

Rated up to 250v. Compact fluorescent rated to 120v 50/60Hz, 277v 50/60Hz.

TERMINAL BLOCK

Optional 4 or 6 pole terminal block on ceiling/surface types.

ORDERING REFERENCES

PART NUMBER	DESCRIPTION	LENS COLOR	WEIGHT LBS*
1158A	Stem/Pendant	Clear	3.6
1158ARED	Stem/Pendant	Red	3.6
1158ABLU	Stem/Pendant	Blue	3.6
1158AGRN	Stem/Pendant	Green	3.6
1158AYEL	Stem/Pendant	Yellow	3.6
1159A	Ceiling/Surface	Clear	3.6
F1159A-#	Ceiling/Surface	Clear	3.6
1159ARED	Ceiling/Surface	Red	3.6
F1159ARED-#	Ceiling/Surface	Red	3.6
1159ABLU	Ceiling/Surface	Blue	3.6
F1159ABLU-#	Ceiling/Surface	Blue	3.6
1159AGRN	Ceiling/Surface	Green	3.6
F1159AGRN-#	Ceiling/Surface	Green	3.6
1159AYEL	Ceiling/Surface	Yellow	3.6
F1159AYEL-#	Ceiling/Surface	Yellow	3.6

Enter compact fluorescent (CF) wattage desired: 13, 18, 26 or 32.

*Add .3 lbs for guard.

SPECIAL OPTIONS

- P* - Porcelain Lamp Holder
- SP - Shockproof Lamp Holder
- T* - Terminal Block, 4 pole (Ceiling/Surface types)
- T6* - Terminal Block, 6 pole (Ceiling/Surface types)
- GRD - Guard
- 276 - 277v 60Hz (Compact fluorescent only)

*Not available for compact fluorescent.

ENTRY OPTIONS

1159 Ceiling/Surface Type

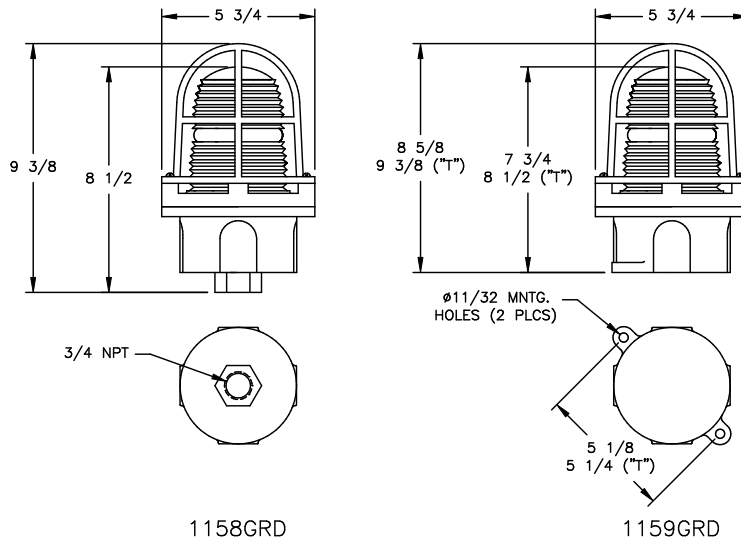
NPT Trade Size	Dead End	Thru Feed	90 Degree	X-Positions
1/2"	E1	C1	L1	X1
3/4"	E2	C2	L2	X2

SPARE PARTS

Part No.	Description
INX4000	LAMP HOLDER, Standard PBT
INX4000SP	LAMP HOLDER, Shockproof
INX4000P	LAMP HOLDER, Porcelain
FX4042	LAMP HOLDER, 13w compact fluorescent
FX4030	LAMP HOLDER, 18w compact fluorescent
FX4034	LAMP HOLDER, 26/32w compact fluorescent
CX3070	TERMINAL BLOCK, 4 pole
CX3076	TERMINAL BLOCK, 6 pole
FX5206	BALLAST, 120VAC 60Hz
FX5242	BALLAST, 277VAC 60Hz
GKT1143	GASKET SET
INX1004A	GUARD
INX2058C	LENS (5" overall length), Clear
INX2058G	LENS (5" overall length), Green
INX2058B	LENS (5" overall length), Blue
INX2058R	LENS (5" overall length), Red
INX2058Y	LENS (5" overall length), Yellow
INX3528	LAMP, 100w A-19
FX3531	LAMP, 13w compact fluorescent
FX3552	LAMP, 18w compact fluorescent
FX3553	LAMP, 26w compact fluorescent
FX3554	LAMP, 32w compact fluorescent

ProMark **1158/1159**/al

DIMENSIONS



Dimensions in inches

NOTES

Pro

ProMark **POB/al**



FEATURES

- Available in up to 116w incandescent.
- Aeronautical obstruction light with bottom or side entries.
- Available in single and double lamp units.
- Easy relamping through quick release side latches.
- Red fresnel lens provided.
- Retained lens helps prevent damage or loss of the lens during servicing.
- Optional transfer relay for use on 116w lamps transfers power to a second lamp when the first lamp fails.
- Neoprene gasket resists petroleum.



CHS Controls AB
Tel +46 42 38 61 00, Fax +46 42 38 61 29
chs@chscontrols.se www.chscontrols.se

APPLICATIONS

- Obstruction marking
- Heli-pad marking
- Stem/pendant mount or side entry
- Airports
- Vessel mast obstruction
- Drill ships and tankers
- Cargo ships
- Crane boom marking

APPROVALS

- FAA AC 150/5345 - 43E
- FAA Type L810 Steady Burning Obstruction Light
- Compliant to: Transport Canada TP312E
- ICAO Annex 14
- ICAO Type Low-Intensity Obstacle Light
- USAF AFMAN 32-1076

TECHNICAL SPECIFICATIONS

HOUSING

Cast aluminum with an electrostatically applied powder coat finish.

MOUNTING/ENTRIES

Stem/pendant type or side entry, 3/4" or 1" NPT.

GASKET

Neoprene.

LAMP HOLDER

Medium base.

LENS

Heat resistant glass, red fresnel.

LAMP TYPE

Incandescent up to 116w A-21. Lamps not provided.

RETAINING CHAIN

Stainless steel.

VOLTAGE

Rated up to 230v.

ORDERING REFERENCES

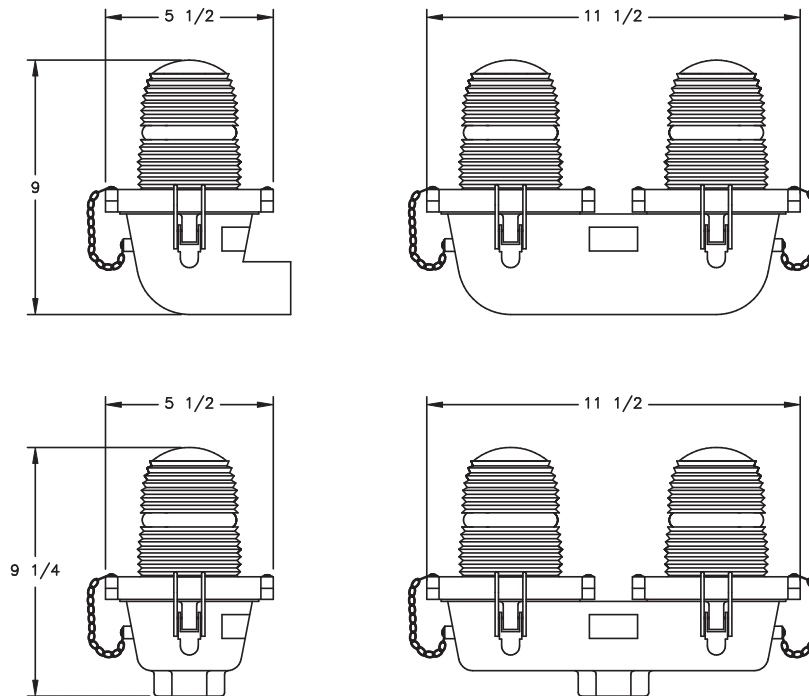
PART NUMBER	DESCRIPTION	WEIGHT LBS	ENTRANCE	NPT SIZE
POB21A31	Single Unit	4.0	Side	3/4"
POB21A41	Single Unit	4.0	Side	1"
POB20A31	Single Unit	4.0	Bottom	3/4"
POB20A41	Single Unit	4.0	Bottom	1"
POB22A31	Double Unit	8.0	Bottom	3/4"
POB22A41	Double Unit	8.0	Bottom	1"
POB24A31	Double Unit	8.0	Side	3/4"
POB24A41	Double Unit	8.0	Side	1"
POB22TR-3#	Double Unit w/Transfer Relay	8.0	Bottom	3/4"
POB22TR-4#	Double Unit w/Transfer Relay	8.0	Bottom	1"
POB24TR-3#	Double Unit w/Transfer Relay	8.0	Side	3/4"
POB24TR-4#	Double Unit w/Transfer Relay	8.0	Side	1"

Specify 1 (120V) or 2 (220V) to complete part number.

SPARE PARTS

Part No.	Description		
POL116B	LAMP, 116w A-21/TS 120v	PKR1050A	TRANSFER RELAY
PPK1095A	GASKET	PGL1020	LENS, Red
PLX1019	LAMP HOLDER	PAU5039	LENS HOLDER ASSEMBLY
PHA5037	SPRING FOR LATCH		

DIMENSIONS










Dimensions in inches

ALUMINUM

Hazardous Area Certified Lighting

HazMax Linear Fluorescent	XPFMax Explosionproof Linear Fluorescent	HazCor High Intensity Discharge	HazFlood Flood Lights	HazSpot Spot Lights
Apex/al - Pg. 144 	Commander/al - Pg. 174 (FEPR) 	Optima 1100/al - Pg. 184 (Hazcor LW) 	Goliath 2100/al - Pg. 196 (NHID LW) 	746D2/al - Pg. 204 
Summit/al - Pg. 148 	Performer/al - Pg. 178 (ZonePro) 	Optima 1110/al - Pg. 186 (Hazcor) 	Goliath 2110/al - Pg. 198 (NHID) 	
Radia/al - Pg. 152 (FWN/FWFN/AllPro) 		Optima 1120/al - Pg. 190 (Hazcor HW) 	Goliath 2120/al - Pg. 200 (NHID 1000) 	
Pinnacle/al - Pg. 156 (DuraPro) 		Optima 1130/al - Pg. 194 (Hazcor LP) 	Achiever DR/al - Pg. 202 (DR-Achiever) 	
Quantum/al - Pg. 162 (RigPro) 				
Magna/al - Pg. 166 (MagnaPro) 				
Intrepid/al - Pg. 170 (FASD2/SeaPro) 				

(Previous Name)

HazGuard Globe & Guard	XPFGuard Explosionproof Globe & Guard	HazMark Marker Lights	HazStrobe Strobe Lights	XPFStrobe Explosionproof Strobe Lights	XPFBeacon Explosionproof Rotating Beacons
707/717/727/al - Pg. 206 	EP/al - Pg. 212 	1158D2/1159D2/al - Pg. 216 	7120/7121/al - Pg. 218 	EPN/al - Pg. 220 	EPB/EPC/EPP/al - Pg. 224 
Exacta/al - Pg. 208 (AC-Exacta) 					

(Previous Name)

Haz

HazMax Apex/al



FEATURES

- High output luminaire, up to 30,000 raw lumens.
- Fluorescent system provides energy savings up to 50% when compared to HID.
- Third party certified for operation in high ambient temperatures, up to 55°C (131°F).
- Multi voltage electronic ballast resistant to brownouts or voltage and frequency fluctuations.
- Debris shedding design. Peaked housing prevents particulates from collecting.
- One piece neoprene gasket provides a watertight seal.
- Optional high efficiency reflector up to 95% total reflectivity.
- Suspension style luminaire with feed-through hubs.
- USDA compliant materials.
- Meets Canadian Processed Products Regulations C.R.C., c.291.
- Optional self contained emergency battery backup ballasts.
- Optional long life T5 lamps available upon request (consult factory).

APPLICATIONS

- High, mid & low bay
- Hazardous locations
- Watertight requirements
- Dusttight requirements
- High pressure hose down areas
- Paint & formulation facilities
- Pipeline compressor/pumping & storage
- Pharmaceutical & additive formulation & processing
- Grain & sugar milling, processing & storage
- Petrochemical facilities
- Munitions manufacturing and storage
- Waste water treatment plants
- Freezer and refrigeration
- Food & beverage processing facilities

APPROVALS

- Class I Division 2 Groups A, B, C, & D
- Class I Zone 2 Groups IIA, IIB & IIC
- Class II Divisions 1 & 2 Groups F & G
- Class III
- Type 4
- Conforms to IP66
- ABS
- NSF

STANDARDS

- UL 844 - Hazardous Locations
- UL 924 - Emergency Lighting Equipment
- UL 1598 - Luminaires
- Canadian Processed Products Regulations C.R.C., c.291
- CSA - Class 3428 03
- CSA - Class 3428 83
- NSF/ANSI 2-2007 Splash Zone

TECHNICAL SPECIFICATIONS

HOUSING

.062 thick, type 5052H32 aluminum with an electrostatically applied epoxy coated finish.

LENS FRAME

Type 6063 aluminum with an electrostatically applied epoxy coated finish.

LENS

Acrylic, optional polycarbonate and tempered glass.

REFLECTOR

Type 5052H32 aluminum with an electrostatically applied white polyester powder coat finish. Minimum 90% reflectance. High efficiency option, minimum 95% reflectance.

GASKET

One piece closed cell neoprene sponge.

HINGES

Stainless steel.

LAMP HOLDERS

Spring loaded on T5, T5HO and T8HO models. Locking sockets on T8 Bi-Pin models. Engineered plastics, no urea materials.

MOUNTING

Attachment points for cable or chain mount. Ceiling mounting kit available.

ENTRIES

1/2" or 3/4" NPT feed-through.

LAMP TYPES

See ORDERING REFERENCES. Lamps not provided.

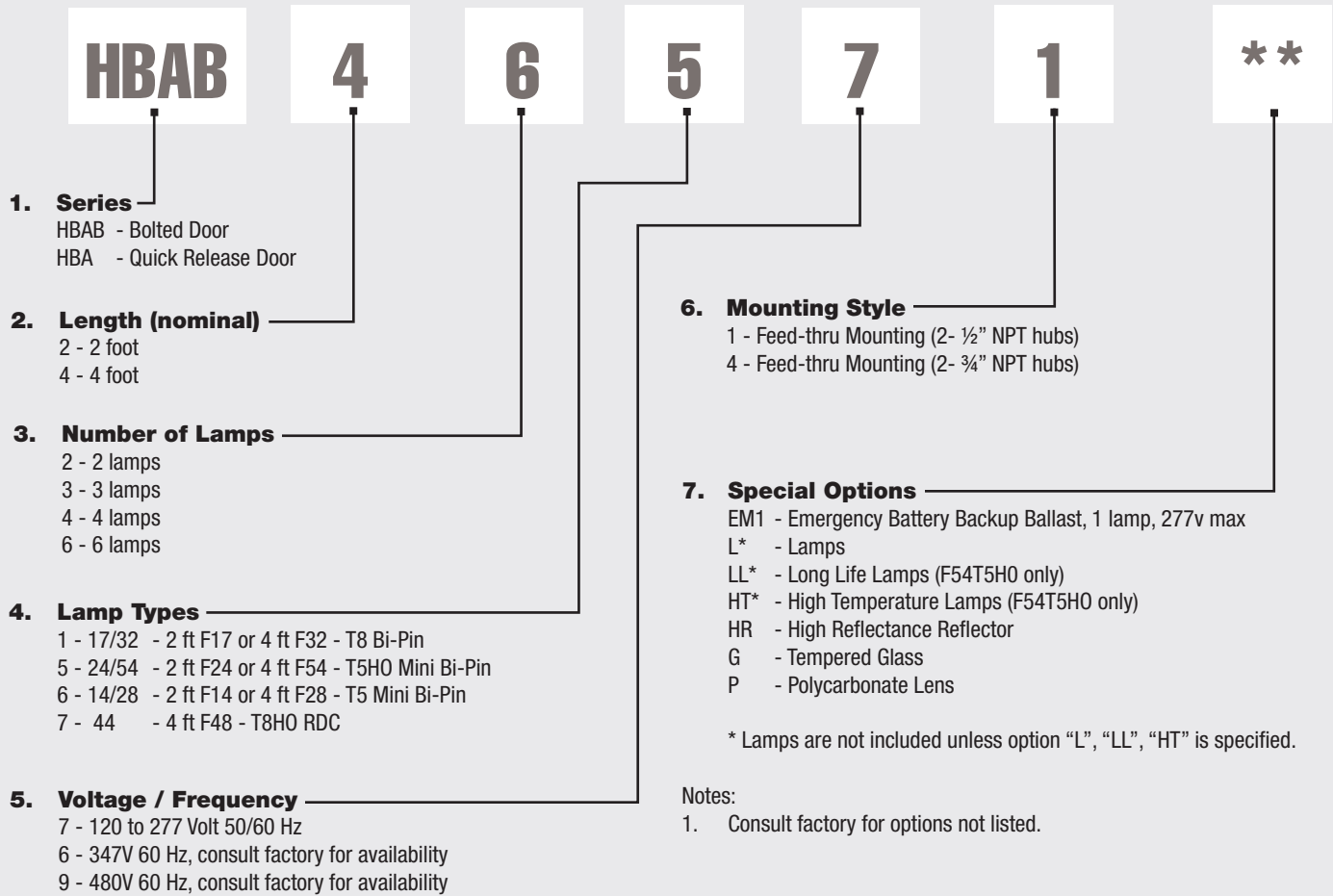
BALLAST

120 to 277 volt 50/60 Hz electronic, optional 347v and 480v.

EMERGENCY BATTERY BACKUP BALLAST

Optional, self contained 90 minute minimum for all lamp types. 120 minutes minimum for F32T8 one lamp. Starting temperature 32°F/0°C.

ORDERING REFERENCES



SPARE PARTS

Part No.	Description
FX5350	BALLAST 120-277V AC 50/60HZ, 1 x 14, F14T5
FX5350	BALLAST 120-277V AC 50/60HZ, 1 x 28, F28T5
FX5307	BALLAST 120-277V AC 50/60HZ, 1 x 24, F24T5HO
FX5305	BALLAST 120-277V AC 50/60HZ, 1 x 54, F54T5HO
FX5174	BALLAST 120-277V AC 50/60HZ, 1 x 17, F17T8
FX5221	BALLAST 120-277V AC 50/60HZ, 1 x 32, F32T8
FX5349	BALLAST 120-277V AC 50/60HZ, 1 x 44, F48T8HO
FX5350	BALLAST 120-277V AC 50/60HZ, 2 x 14, F14T5
FX5350	BALLAST 120-277V AC 50/60HZ, 2 x 28, F28T5
FX5307	BALLAST 120-277V AC 50/60HZ, 2 x 24, F24T5HO
FX5305	BALLAST 120-277V AC 50/60HZ, 2 x 54, F54T5HO
FX5340	BALLAST 120-277V AC 50/60HZ, 2 x 17, F17T8
FX5340	BALLAST 120-277V AC 50/60HZ, 2 x 32, F32T8
FX5349	BALLAST 120-277V AC 50/60HZ, 2 x 44, F48T8HO
FX5128HDU	EMERGENCY BATTERY BACKUP BALLAST, EM1, 120-277v, T8 & T8HO models
FX5346HDU	EMERGENCY BATTERY BACKUP BALLAST, EM1, 120 or 277v, T5 & T5HO models
FX3573	LAMP, 14w, F14T5
FX3574	LAMP, 28w, F28T5
FX3568	LAMP, 24w, F24T5HO
FX3567	LAMP, 54w, F54T5HO
FX3577	LAMP, 54w Long Life F54T5HO
FX3567HT	LAMP, 54w, F54T5HO
FX3528	LAMP, 17w, F17T8
FX3527	LAMP, 32w, F32T8
FX3565	LAMP, 44w, F48T8HO
FX2242	LENS, 4 ft. models
FX2241	LENS, 2 ft. models
GKT6124-115	GASKET, 4 ft. models
GKT6124-69	GASKET, 2 ft. models
FX8116SS	HINGES, 4 ft. models
FX4064F	LAMP HOLDER, stationary for T5 models
FX4064P	LAMP HOLDER, spring loaded for T5 models
FX4004	LAMP HOLDER, stationary for T8HO models
FX4005	LAMP HOLDER, spring loaded for T8HO models
FX4048	LAMP HOLDER, stationary for T8 models

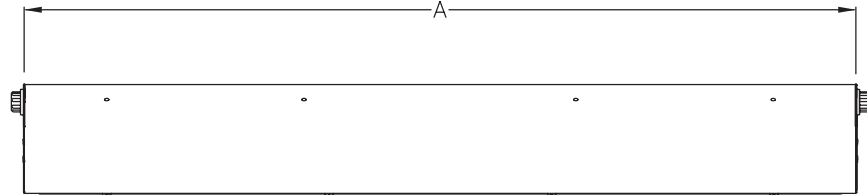
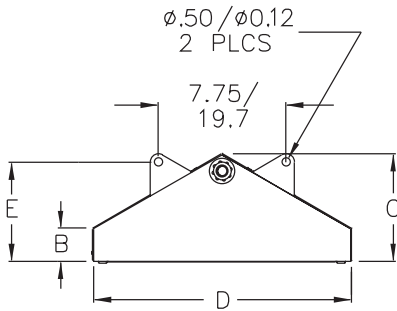
HazMax Apex/al

TEMPERATURE CODES & APPROVALS

Lamp Wattage	Ballast/Socket Type	ANSI Lamp Code	Class I T-Code	Class I Division 2	Class II Divisions 1 & 2	Class III	Class II & III T-Code	Starting Temp	Maximum Ambient*	Supply Wire
17	T8 Bi-Pin G13	F17-T8	1-4 Lamps T5	A,B,C & D	F & G	Yes	1-4 Lamps T5	0°F / -18°C	55°C	90°C
17	T8 Bi-Pin G13	F17-T8	5-6 Lamps T3C	A,B,C & D	F & G	Yes	5-6 Lamps T3C	0°F / -18°C	55°C	90°C
32	T8 Bi-Pin G13	F32-T8	1-4 Lamps T5	A,B,C & D	F & G	Yes	1-4 Lamps T5	-20°F / -29°C	55°C	90°C
32	T8 Bi-Pin G13	F32-T8	5-6 Lamps T3C	A,B,C & D	F & G	Yes	5-6 Lamps T3C	-20°F / -29°C	55°C	90°C
24/54	T5HO Mini Bi-Pin G5	F24/F54-T5HO	T3C	A,B,C & D	F & G	Yes	T3C	-20°F / -29°C	55°C	90°C
14/28	T5 Mini Bi-Pin G5	F14/F28-T5	T3C	A,B,C & D	F & G	Yes	T3C	0°F / -18°C	55°C	90°C
44	T8HO RDC R17d	F48-T8HO	T5	A,B,C & D	F & G	Yes	T5	-20°F / -29°C	55°C	90°C

* Consult factory for optional higher ambient models.

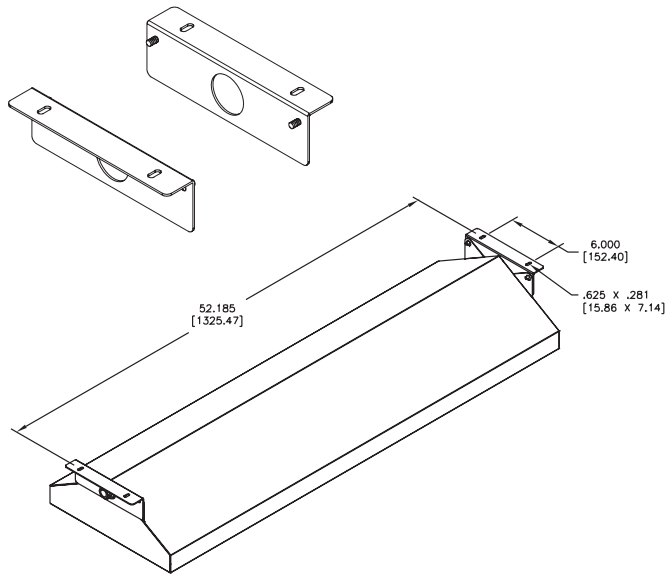
DIMENSIONS



Nominal Length	Dimensions in Inches / Centimeters					Carton L x W x D Inches	Nominal Weight	
	A	B	C	D	E		Lbs	Kg
2 Foot	26.59 / 67.5	2.0 / 5.1	6.53 / 16.6	15.72 / 39.9	6.0 / 15.2	28¾ x 16¾ x 7¼	19	8.6
4 Foot	50.59 / 128.5	2.0 / 5.1	6.53 / 16.6	15.72 / 39.9	6.0 / 15.2	53 x 16¾ x 7¼	32	14.5

Add 1 lb for 3 or 4 lamps. Add 2 lbs for 5 and 6 lamps.

MOUNTING OPTIONS



Dimensions in inches [mm]

FX7091

Ceiling Mount Brackets.

Attaches to the suspension ears of the fixture,
 with the nuts and washers provided.

Haz

HazMax Summit/al



FEATURES

- High output luminaire, up to 30,000 raw lumens.
- Fluorescent system provides energy savings up to 50% when compared to HID.
- Third party certified for operation in high ambient temperatures, up to 55°C (131°F).
- Multi voltage electronic ballast resistant to brownouts or voltage and frequency fluctuations.
- One piece neoprene gasket provides a watertight seal.
- Optional high efficiency reflector up to 95% total reflectivity.
- Pendant, feed-through or combination mounting styles.
- USDA compliant materials.
- Meets Canadian Processed Products Regulations C.R.C., c.291.
- Optional, self contained emergency battery backup ballasts.
- Optional long life T5 lamps available upon request (consult factory).

APPLICATIONS

- High, mid & low bay
- Hazardous locations
- Watertight requirements
- Dusttight requirements
- Waste water treatment plants
- High pressure hose down areas
- Paint & formulation facilities
- Grain & sugar milling, processing & storage
- Pharmaceutical & additive formulation & processing
- Munitions manufacturing and storage
- Petrochemical facilities
- Freezer & refrigeration
- Food & beverage processing facilities
- Pipeline compressor/pumping & storage

APPROVALS

- Class I Division 2 Groups A, B, C, & D
- Class I Zone 2 Groups IIA, IIB & IIC
- Class II Divisions 1 & 2 Groups F & G
- Class III
- Type 4
- Conforms IP66
- ABS
- NSF

STANDARDS

- UL 844 - Hazardous Locations
- UL 924 - Emergency Lighting Equipment
- UL 1598 - Luminaires
- Canadian Processed Products Regulations C.R.C., c.291
- CSA - Class 3428 03
- CSA - Class 3428 83
- NSF/ANSI 2-2007 Splash Zone

TECHNICAL SPECIFICATIONS

HOUSING

.062 thick, type 5052H32 aluminum with an electrostatically applied epoxy coated finish.

LENS FRAME

Type 6063 aluminum with an electrostatically applied epoxy coated finish.

LENS

Acrylic, optional polycarbonate and tempered glass.

REFLECTOR

Type 5052H32 aluminum with an electrostatically applied white polyester powder coat finish. Minimum 90% reflectance. High efficiency option, minimum 95% reflectance.

GASKET

One piece closed cell neoprene sponge.

HINGES

Stainless steel.

LAMP HOLDERS

Spring loaded on T5, T5HO and T8HO models. Locking sockets on T8 Bi-Pin models. Engineered plastics, no urea materials.

MOUNTING

See ORDERING REFERENCES and MOUNTING OPTIONS for details.

ENTRIES

1/2" or 3/4" NPT feed-through, pendant or combination.

LAMP TYPES

See ORDERING REFERENCES. Lamps not provided.

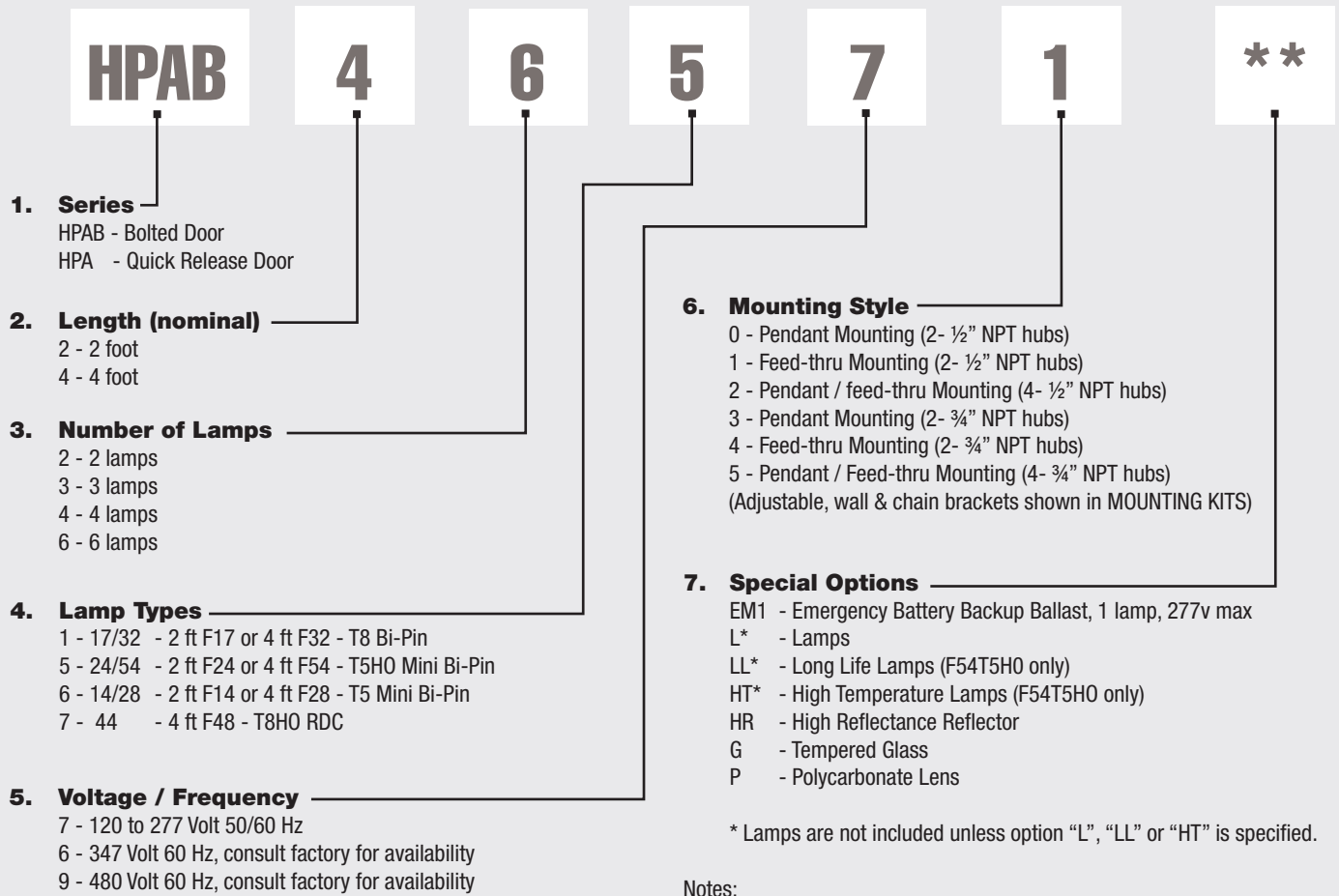
BALLAST

120 to 277 volt 50/60 Hz electronic, optional 347v or 480v.

EMERGENCY BATTERY BACKUP BALLAST

Optional, self contained 90 minute minimum for all lamp types. 120 minutes minimum for F32T8 one lamp. Starting temperature 32°F/0°C.

ORDERING REFERENCES



Notes:

1. Consult factory for options not listed.

SPARE PARTS

Part No.	Description
FX5350	BALLAST 120-277V AC 50/60HZ, 1 x 14, F14T5
FX5350	BALLAST 120-277V AC 50/60HZ, 1 x 28, F28T5
FX5307	BALLAST 120-277V AC 50/60HZ, 1 x 24, F24T5HO
FX5305	BALLAST 120-277V AC 50/60HZ, 1 x 54, F54T5HO
FX5174	BALLAST 120-277V AC 50/60HZ, 1 x 17, F17T8
FX5221	BALLAST 120-277V AC 50/60HZ, 1 x 32, F32T8
FX5349	BALLAST 120-277V AC 50/60HZ, 1 x 44, F48T8HO
FX5350	BALLAST 120-277V AC 50/60HZ, 2 x 14, F14T5
FX5350	BALLAST 120-277V AC 50/60HZ, 2 x 28, F28T5
FX5307	BALLAST 120-277V AC 50/60HZ, 2 x 24, F24T5HO
FX5305	BALLAST 120-277V AC 50/60HZ, 2 x 54, F54T5HO
FX5340	BALLAST 120-277V AC 50/60HZ, 2 x 17, F17T8
FX5340	BALLAST 120-277V AC 50/60HZ, 2 x 32, F32T8
FX5349	BALLAST 120-277V AC 50/60HZ, 2 x 44, F48T8HO
FX5128HDU	EMERGENCY BATTERY BACKUP BALLAST, EM1, 120-277v, for T8 & T8HO models
FX5346HDU	EMERGENCY BATTERY BACKUP BALLAST, EM1, 120 or 277v, T5 & T5HO models
FX3573	LAMP, 14w, F14T5
FX3574	LAMP, 28w, F28T5
FX3568	LAMP, 24w, F24T5HO
FX3567	LAMP, 54w, F54T5HO
FX3577	LAMP, 54w Long Life F54T5HO
FX3567HT	LAMP, 54w, F54T5HO
FX3528	LAMP, 17w, F17T8
FX3527	LAMP, 32w, F32T8
FX3565	LAMP, 44w, F48T8HO
FX2242	LENS, 4 ft. models
FX2241	LENS, 2 ft. models
GKT6124-115	GASKET, 4 ft. models
GKT6124-69	GASKET, 2 ft. models
FX8116SS	HINGES, 4 ft. models
FX4064F	LAMP HOLDER, stationary for T5 models
FX4064P	LAMP HOLDER, spring loaded for T5 models
FX4004	LAMP HOLDER, stationary for T8HO models
FX4005	LAMP HOLDER, spring loaded for T8HO models
FX4048	LAMP HOLDER, stationary for T8 models

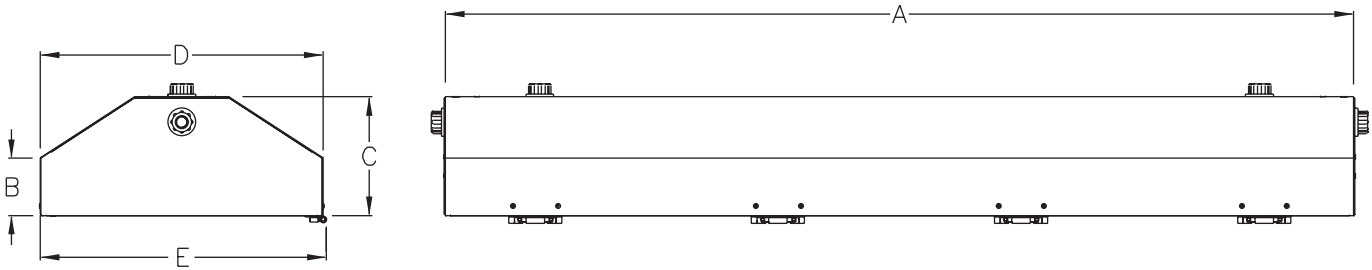
HazMax Summit/al

TEMPERATURE CODES & APPROVALS

Lamp Wattage	Ballast/Socket Type	ANSI Lamp Code	Class I T-Code	Class I Division 2	Class II Divisions 1 & 2	Class III	Class II & III T-Code	Starting Temp	Maximum Ambient*	Supply Wire
17	T8 Bi-Pin G13	F17-T8	1-4 Lamps T5	A,B,C & D	F & G	Yes	1-4 Lamps T5	0°F / -18°C	55°C	90°C
17	T8 Bi-Pin G13	F17-T8	5-6 Lamps T3C	A,B,C & D	F & G	Yes	5-6 Lamps T3C	0°F / -18°C	55°C	90°C
32	T8 Bi-Pin G13	F32-T8	1-4 Lamps T5	A,B,C & D	F & G	Yes	1-4 Lamps T5	-20°F / -29°C	55°C	90°C
32	T8 Bi-Pin G13	F32-T8	5-6 Lamps T3C	A,B,C & D	F & G	Yes	5-6 Lamps T3C	-20°F / -29°C	55°C	90°C
24/54	T5H0 Mini Bi-Pin G5	F24/F54-T5H0	T3C	A,B,C & D	F & G	Yes	T3C	-20°F / -29°C	55°C	90°C
14/28	T5 Mini Bi-Pin G5	F14/F28-T5	T3C	A,B,C & D	F & G	Yes	T3C	0°F / -18°C	55°C	90°C
44	T8H0 RDC R17d	F48-T8H0	T5	A,B,C & D	F & G	Yes	T5	-20°F / -29°C	55°C	90°C

* Consult factory for optional higher ambient models.

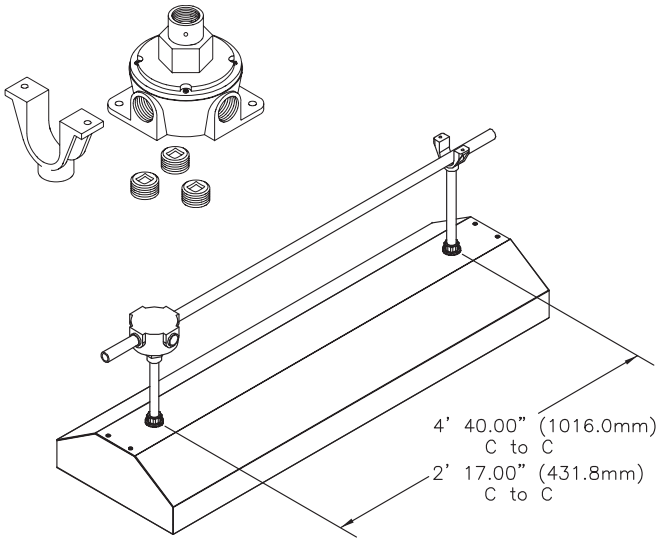
DIMENSIONS



Nominal Length	Dimensions in Inches / Centimeters					Carton L x W x D Inches	Nominal Weight	
	A	B	C	D	E		Lbs	Kg
2 Foot	26.59 / 67.5	3.2 / 8.1	6.59 / 16.7	15.72 / 39.9	15.92 / 40.4	28¾ x 16¾ x 7¾	21	9.5
4 Foot	50.59 / 128.5	3.2 / 8.1	6.59 / 16.7	15.72 / 39.9	15.92 / 40.4	53 x 16¾ x 7¾	34	15.4

Add 1 lb for 3 or 4 lamps. Add 2 lbs for 5 and 6 lamps.

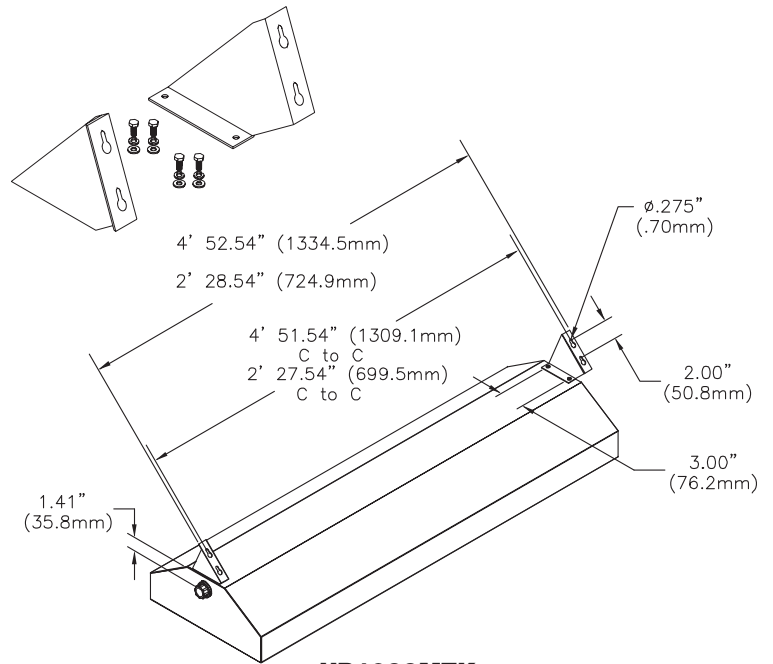
MOUNTING OPTIONS



HP1095MTK

Pendant kit.

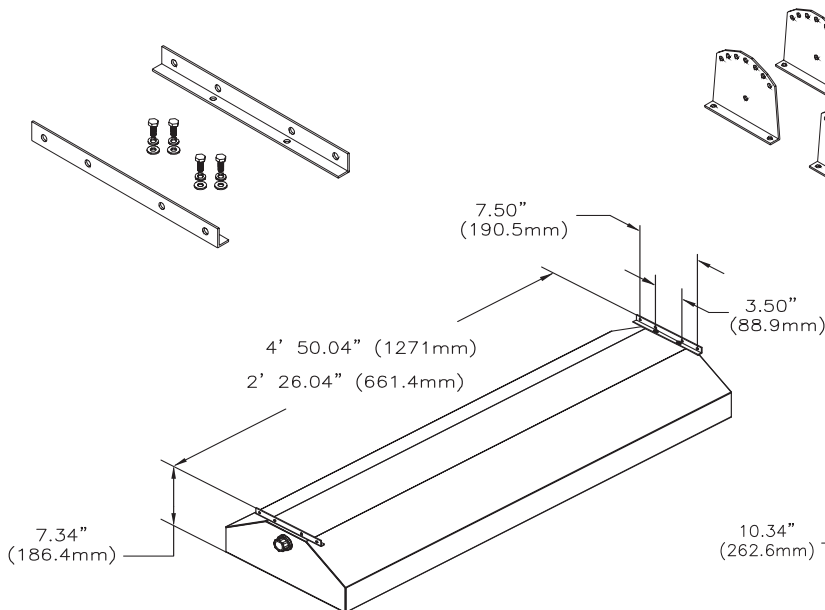
Consists of 1 saddle strap and one universal junction box & cover (3/4" NPT hubs).



HP1099MTK

Fixed wall mounting kit.

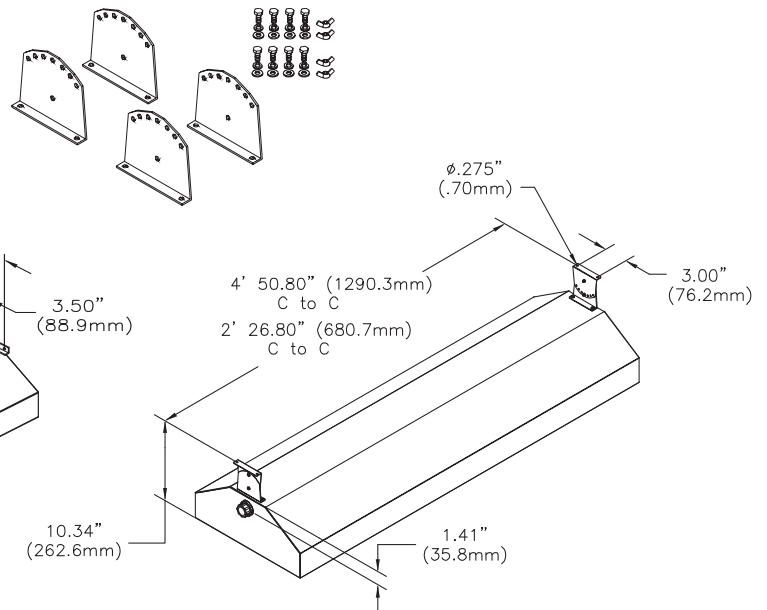
Consisting of 2 angled stainless steel wall brackets & hardware to mount brackets to fixture.



HP1093MTK

Chain/cable mounting kit.

Consisting of 2 stainless steel chain brackets & hardware to mount brackets to fixture.



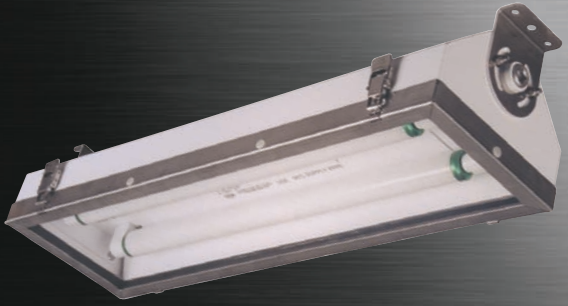
HP1097MTK

Adjustable mounting kit.

Consisting of 2 pairs of stainless steel brackets & hardware to mount brackets to fixture.

Haz

HazMax Radia/al



FEATURES

- Fluorescent system provides energy savings up to 50% when compared to HID.
- Multi voltage electronic ballast resistant to brownouts or voltage and frequency fluctuations.
- Field replaceable stainless steel lens frame and latches.
- Flat or drop style lens versions with wide beam lumen dispersions of 140 to over 180 degrees.
- Lens frame hinged on side for easy lamp replacement.
- Adjustable mounting brackets allow 110° range of mounting positions.
- Shoc♦Loc™ Bi-Pin spring loaded lamp holders for T5, T8 and T12 lamp types, provide superior resistance to shock and vibration.
- Approved for Class II Group E for atmospheres containing combustible metal dust.
- Standard wall/ceiling mount style can be rotated on longitudinal axis for optimum light positioning.
- Neoprene gasket resists petroleum.
- Optional self contained emergency battery backup ballasts.
- Optional certified test switch on emergency models.
- Optional long life T5 lamps available upon request (consult factory).

APPLICATIONS

- Hazardous locations
- Marine and watertight requirements
- Dusttight requirements
- Grain & sugar milling processing & storage
- Pulp & paper production
- Pharmaceutical & additives formulation & processing
- Coal processing & storage
- Oil and gas exploration and production
- Munitions manufacturing & storage
- Waste water treatment plants
- Petrochemical facilities

APPROVALS

- Class I Division 2 Groups A, B, C & D
- Class I Zone 2 Groups IIA, IIB, IIB+ H2 & IIC
- Class II Division I Groups E, F & G
- Class III
- Type 4
- IP66
- Marine Outside Type Saltwater
- ABS

STANDARDS

- UL 844 - Hazardous Locations
- UL 924 - Emergency Lighting Equipment
- UL 1598A - Luminaires for Marine Vessels
- EN 60529 - Ingress protection
- CSA - Class 3428 83
- CSA - Class 3428 03

TECHNICAL SPECIFICATIONS

HOUSING

.062 inch thick, type 5052H32 aluminum with an electrostatically applied polyester powder coat finish.

LENS

0.125 inch thick, polycarbonate flat lens. Optional tempered glass flat lens or DR acrylic drop lens.

REFLECTOR

Type 5052H32 aluminum with an electrostatically applied white polyester powder coat finish. Minimum 90% reflectance.

GASKET

One piece neoprene.

MOUNTING

Adjustable aluminum surface mount brackets.

LATCHES

Stainless steel positive-locking spring loaded.

LENS FRAME

Type 304 stainless steel, hinged on side.

LAMP HOLDERS

Spring loaded on one end for linear lamp types.

ENTRIES

¼" NPT feed-through outlets, one plugged.

LAMP TYPES

See ORDERING REFERENCES. Lamps not provided.

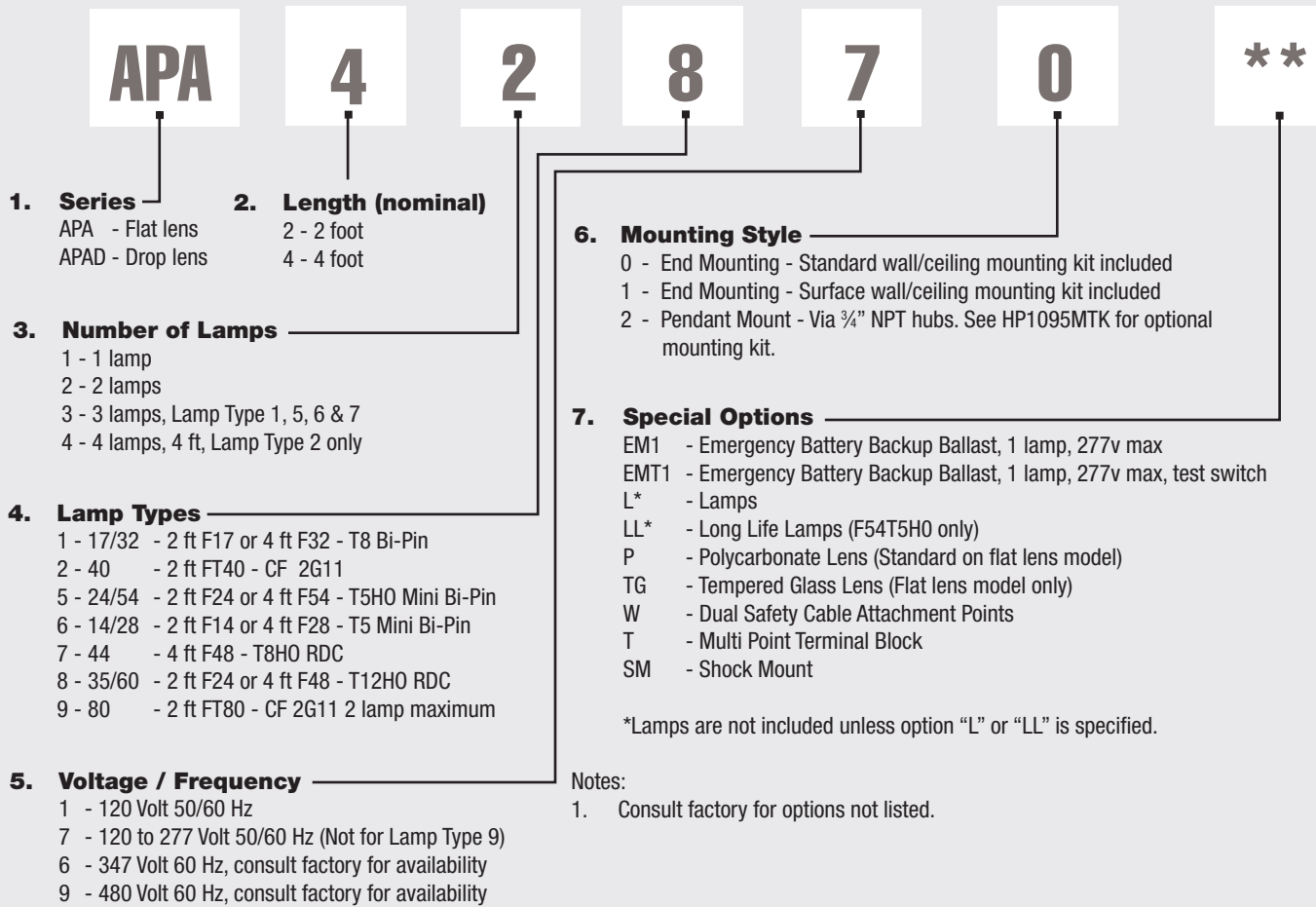
BALLAST

120 to 277 volt 50/60 Hz electronic, optional 347v and 480v.

EMERGENCY BATTERY BACKUP BALLAST

Optional, self contained 90 minute minimum for all lamp types. 120 minutes minimum for F32T8 one lamp. Starting temperature 32°F/0°C.

ORDERING REFERENCES



COMMONLY ORDERED LUMAIRES & CROSS REFERENCE

Part No.	Description	Legacy P/n	Weight	
			Lbs	Kg
APA42870L	Aluminum 4' fixture, flat lens, 2 x F48 120-277v 50/60 Hz	FWFN260A	27.0	12.3
APAD42870L	Aluminum 4' fixture, drop lens, 2 x F48 120-277v 50/60 Hz	FWN260A	27.0	12.3

TEMPERATURE CODES & APPROVALS

Lamp Wattage	Ballast/Socket Type	ANSI Lamp Code	Class I T-Code	Class I Division 2	Class II Division 1	Class III	Class II & III T-Code	Starting Temp	Maximum Ambient*	Supply Wire
17	T8 Bi-Pin G13	F17-T8	T4A	A,B,C & D	E, F & G	Yes	T3C	0°F / -18°C	55°C	90°C
32	T8 Bi-Pin G13	F32-T8	T4A	A,B,C & D	E, F & G	Yes	T3C	-20°F / -29°C	55°C	90°C
40	4 Pin 2G11	FT40-CF	T4A	A,B,C & D	E, F & G	Yes	T3C	0°F / -18°C	55°C	90°C
24/54	T5HO Mini Bi-Pin G5	F24/F54-T5HO	T4	A,B,C & D	E, F & G	Yes	T3C	-20°F / -29°C	55°C	90°C
14/28	T5 Mini Bi-Pin G5	F14/F28-T5	T4	A,B,C & D	E, F & G	Yes	T3C	0°F / -18°C	55°C	90°C
44	T8HO RDC R17d	F48-T8HO	T3C	A,B,C & D	E, F & G	Yes	T3C	-20°F / -29°C	40°C	90°C
35/60	T12HO RDC R17d	F24/F48-T12HO	T3C	A,B,C & D	E, F & G	Yes	T3C	-20°F / -29°C	40°C	90°C
80	4 Pin 2G11	FT80-CF	T4A	A,B,C & D	E, F & G	Yes	T3C	0°F / -18°C	40°C	90°C

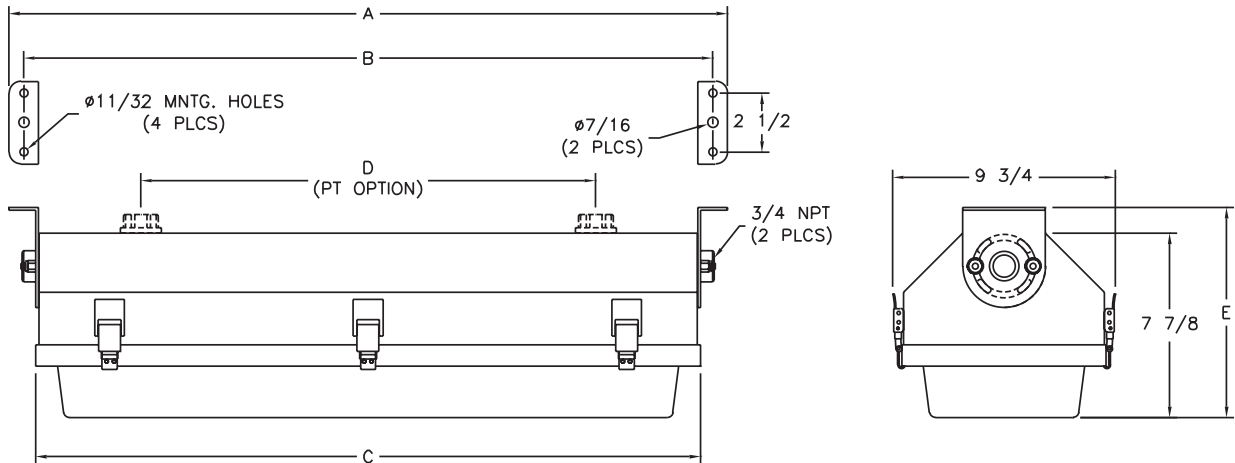
* Consult factory for optional higher ambient models.

HazMax Radia/al

SPARE PARTS

Part No.	Description	Part No.	Description	Part No.	Description
FX5350	BALLAST 120-277V AC 50/60HZ, 1 x 14, F14T5	FX5340	BALLAST 120-277V AC 50/60HZ, 2 x 32, F32T8	FX2135	FLAT LENS, Polycarbonate, 4ft. models
FX5350	BALLAST 120-277V AC 50/60HZ, 1 x 28, F28T5	FX5349	BALLAST 120-277V AC 50/60HZ, 2 x 44, F48T8HO	FX2136	DROP LENS, DR Acrylic, 2ft. models
FX5307	BALLAST 120-277V AC 50/60HZ, 1 x 24, F24T5HO	FX5334	BALLAST 120-277V AC 50/60HZ, 2 x 35, F24T12HO	FX2137	DROP LENS, DR Acrylic, 4ft. models
FX5305	BALLAST 120-277V AC 50/60HZ, 1 x 54, F54T5HO	FX5334	BALLAST 120-277V AC 50/60HZ, 2 x 60, F48T12HO	GKT6088-69.5	GASKET, 2ft. models
FX5174	BALLAST 120-277V AC 50/60HZ, 1 x 17, F17T8	FX5272	BALLAST 120-277V AC 50/60HZ, 2 x 40 CF, FT40 2G11	GKT6088-117.5	GASKET, 4ft. models
FX5221	BALLAST 120-277V AC 50/60HZ, 1 x 32, F32T8	FX5128H DU	EMERGENCY BATTERY BACKUP BALLAST, EM1/EMT1, 120-277v, CF, T8, T8HO, & T12HO	FX7031A	MOUNT, Wall
FX5349	BALLAST 120-277V AC 50/60HZ, 1 x 44, F48T8HO	FX5346H DU	EMERGENCY BATTERY BACKUP BALLAST, EM1/EMT1, 120 or 277v, T5 & T5HO	FX7027A	MOUNT, Standard
FX5334	BALLAST 120-277V AC 50/60HZ, 1 x 35, F24T12HO	FX3573	LAMP, 14w, F14T5	FX7022A	MOUNT, Surface
FX5334	BALLAST 120-277V AC 50/60HZ, 1 x 60, F48T12HO	FX3574	LAMP, 28w, F28T5	FX7023	MOUNT, Pipe Mount Kit
FX5272	BALLAST 120-277V AC 50/60HZ, 1 X 40 CF, FT40 2G11	FX3568	LAMP, 24w, F24T5HO	FX7025	MOUNT, Chain Mount Kit
FX5335	BALLAST 120-277V AC 50/60HZ, 1 x 80, FT80 2G11	FX3567	LAMP, 54w, F54T5HO	FX7004A	MOUNT, Shock Mount
FX5350	BALLAST 120-277V AC 50/60HZ, 2 x 14, F14T5	FX3577	LAMP, 54w, Long Life F54T5HO	FX7028	BEAM CLAMP KIT, Beam clamps (2), Safety Cable & Cable Gland
FX5350	BALLAST 120-277V AC 50/60HZ, 2 x 28, F28T5	FX3528	LAMP, 17w, F17T8	FX4004	LAMP HOLDER, Stationary, 35w, 44w, 60w
FX5307	BALLAST 120-277V AC 50/60HZ, 2 x 24, F24T5HO	FX3527	LAMP, 32w, F32T8	FX4005	LAMP HOLDER, Spring, 35w, 44w, 60w
FX5305	BALLAST 120-277V AC 50/60HZ, 2 X 54, F54T5HO	FX3565	LAMP, 44w, F48T8HO	FX4008	LAMP HOLDER, Stationary, 14w, 17w, 24w, 28w, 32w, 54w
FX5340	BALLAST 120-277V AC 50/60HZ, 2 x 17, F17T8	FX3507	LAMP, 35w, F24T12HO	FX4009	LAMP HOLDER, Spring, 14w, 17w, 24w, 28w, 32w, 54w
		FX3505	LAMP, 60w, F48T12HO	FX4043	LAMP HOLDER, Stationary, 40w CF
		FX3533	LAMP, 40w, FT40 2G11	N/A	LAMP HOLDER, Spring, 40w CF
		FX3570	LAMP, 80w, FT80 2G11		
		FX2134	FLAT LENS, Polycarbonate, 2ft. models		

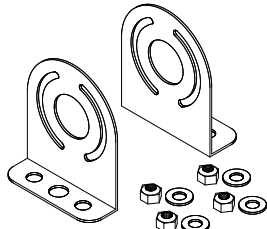
DIMENSIONS



Nominal Length	Dimensions in Inches / Centimeters						Carton W x D x L Inches		Nominal Weight	
	A	B	C	D	E1	E2	E1	E2	Lbs	Kg
2 Foot	31.5 / 80.01	30.25 / 76.84	29.25 / 74.30	25.88 / 65.72	9.0 / 22.86	6.0 / 15.24	10 x 6 x 31 3/4	10 x 8 x 32	15	6.8
4 Foot	55.5 / 140.97	54.25 / 137.80	53.25 / 135.26	36.0 / 91.44	9.0 / 22.86	6.0 / 15.24	10 x 6 x 56 3/4	10 x 8 x 56	23	10.4

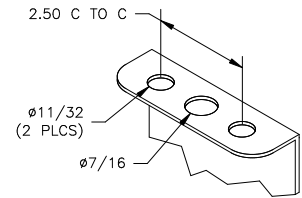
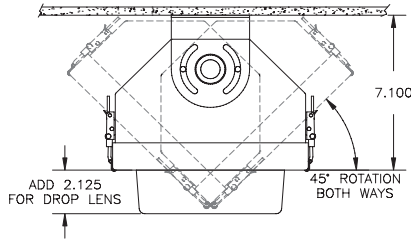
MOUNTING OPTIONS

Standard Wall/Ceiling Mounting Kit

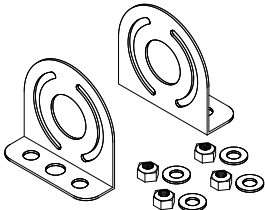


FX7027A

Standard Wall/Ceiling Mounting Kit
 2 aluminum brackets and mounting hardware.
 Adjustable swivel mount.

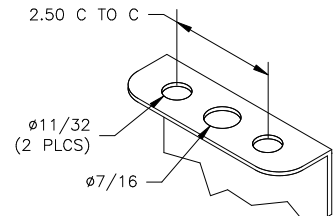
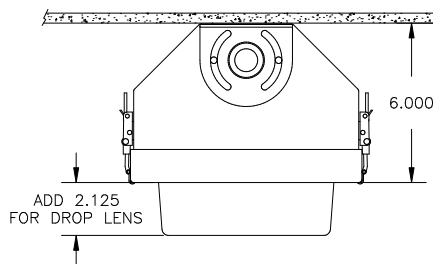


Surface Wall/Ceiling Mounting Kit

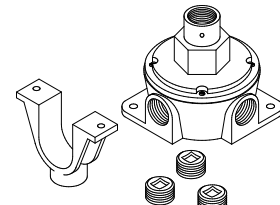
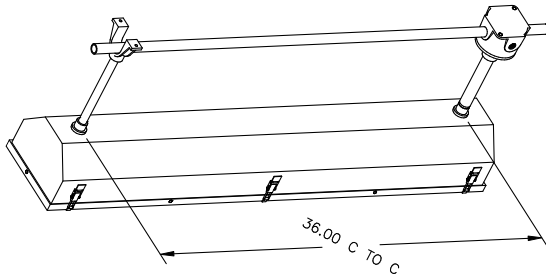


FX7022A

Surface Wall/Ceiling Mounting Kit
 2 aluminum brackets and mounting hardware.
 Flush mount.



Pendant Mount Kit

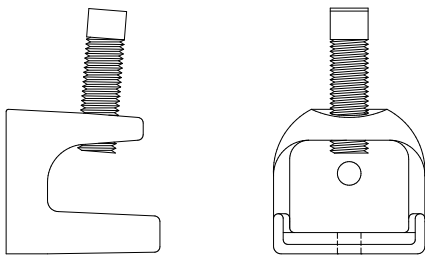


HP1095MTK

Pendant Kit
 1 saddle strap and one universal aluminum junction box & cover (3/4" NPT hubs).

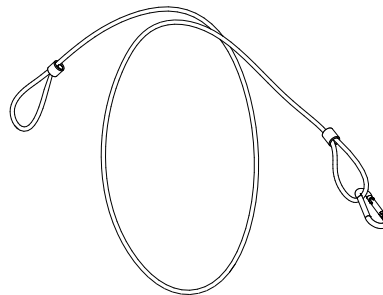
Beam Clamp Kit FX7028

Includes Beam Clamps (2), Safety Cable & Cable Gland



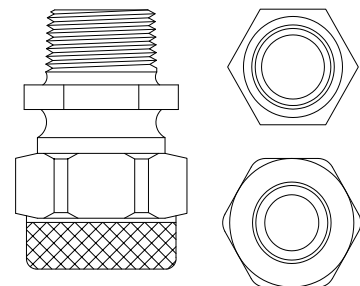
BC2K

2 Beam Clamp Kit.
 For use with surface mount.



SC30H

48" stainless steel Safety Cable with snap hook.



CX1502

Cable Gland 3/4" aluminum,
 cord grip range .438 - .562.

Haz

HazMax Pinnacle/al



FEATURES

- Fluorescent system provides energy savings up to 50% when compared to HID.
- Multi voltage electronic ballast resistant to brownouts or voltage and frequency fluctuations.
- Field replaceable lens and gasket.
- Acrylic lens withstands constant exposure to sunlight and contact with petroleum based products.
- Neoprene gasket resists petroleum.
- Permanent safety cable mounting points at each end.
- Fixture may be mounted horizontally or vertically and rotated up to 270°.
- Tool less entry via heavy duty twist draw latches.
- Lens frame hinged on side for easy lamp replacement.
- Spring loaded lamp holders, for linear lamps resist shock and vibration.
- Optional self contained emergency battery backup ballasts.
- Optional certified test switch on emergency models.
- Optional long life T5 lamps available upon request (consult factory).

APPLICATIONS

- Hazardous locations
- Watertight requirements
- Dusttight requirements
- Oil and gas exploration and production
- Waste water treatment plants
- Pipeline compressor / pumping & storage
- Maintenance & lubrication pits
- Petrochemical facilities
- High abuse areas

APPROVALS

- Class I Division 2 Groups A, B, C & D
- Class I Zone 2 Groups IIA, IIB & IIC
- Class II Division 2 Groups F & G
- Class III
- Type 4
- Conforms to IP66

STANDARDS

- UL 844 - Hazardous Locations
- UL 1598 - Luminaires
- CSA - Class 3428 03
- CSA - Class 3428 83

TECHNICAL SPECIFICATIONS

HOUSING

Extruded aluminum with cast end caps.

LENS

0.125 inch thick clear acrylic, optional polycarbonate.

REFLECTOR

Aluminum parabolic with an electrostatically applied powder coat finish. Minimum 90% reflectance.

GASKET

One piece neoprene.

MOUNTING

Optional mounting kits available. Please see MOUNTING OPTIONS.

LATCHES

Plated steel twist draw.

LAMP HOLDER

Double spring loaded on linear models.

ENTRIES

½" NPT feed-through outlets, ¾" NPT outlets optional.

LAMP TYPES

See ORDERING REFERENCES. Lamps not provided.

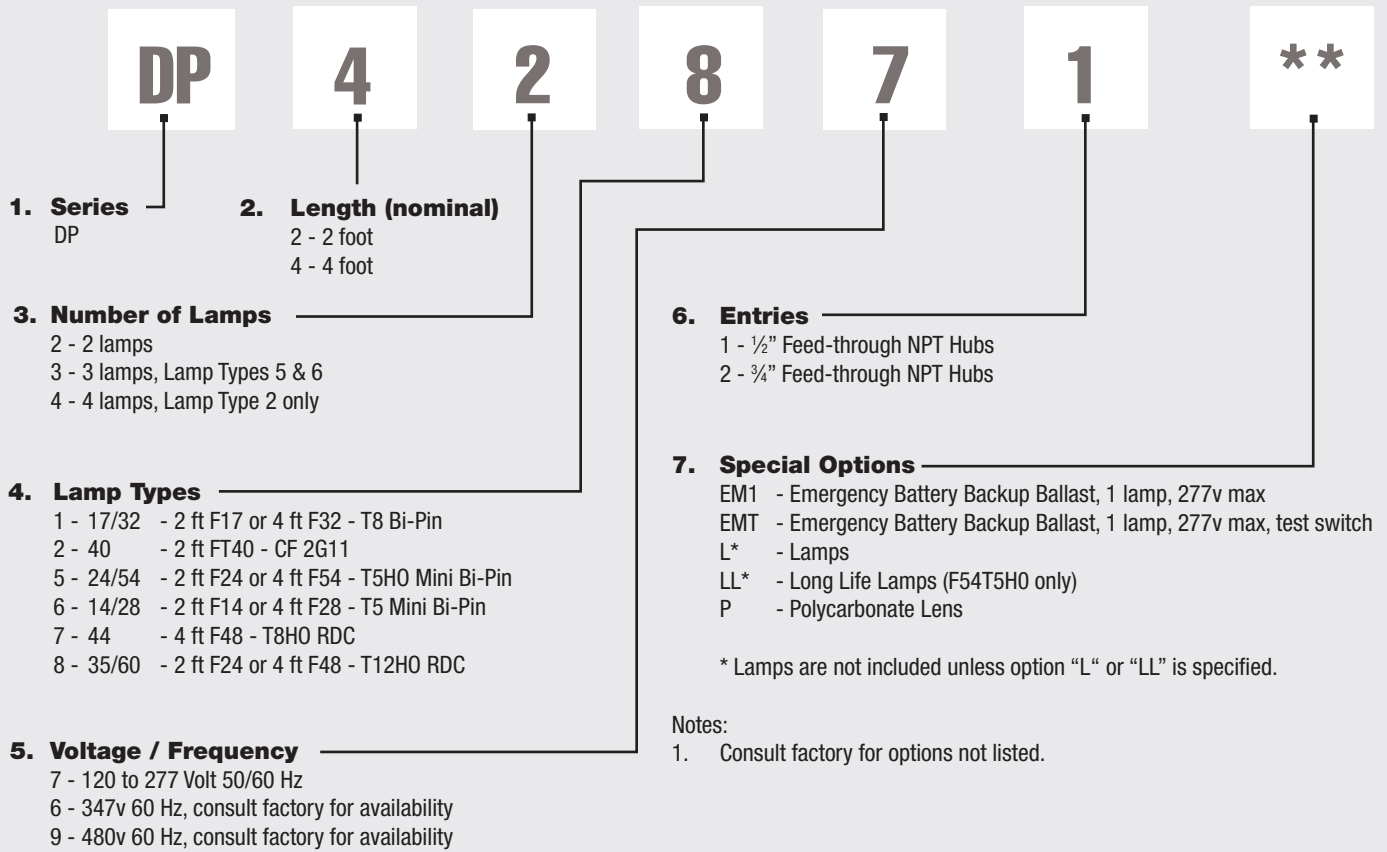
BALLAST

120 to 277 volt 50/60 Hz electronic, optional 347v and 480v.

EMERGENCY BATTERY BACKUP BALLAST

Optional, self contained 90 minute minimum for all lamp types. 120 minutes minimum for F32T8 one lamp. Starting temperature 32°F/0°C.

ORDERING REFERENCES



TEMPERATURE CODES & APPROVALS

Lamp Wattage	Ballast/Socket Type	ANSI Lamp Code	Class I T-Code	Class I Division 2	Class II Division 2	Class III	Class II & III T-Code	Starting Temp	Maximum Ambient*	Supply Wire
17	T8 Bi-Pin G13	F17-T8	T5	A,B,C & D	F & G	Yes	T3C	0°F / -18°C	55°C	90°C
32	T8 Bi-Pin G13	F32-T8	T5	A,B,C & D	F & G	Yes	T3C	-20°F / -29°C	55°C	90°C
40	4 Pin 2G11	FT40-CF	T5	A,B,C & D	F & G	Yes	T3C	0°F / -18°C	55°C	90°C
24/54	T5HO Mini Bi-Pin G5	F24/F54-T5HO	T5	A,B,C & D	N/A	No	N/A	-20°F / -29°C	40°C	90°C
14/28	T5 Mini Bi-Pin G5	F14/F28-T5	T5	A,B,C & D	F & G	Yes	T3C	0°F / -18°C	40°C	90°C
44	T8HO RDC R17d	F48-T8HO	T4A	A,B,C & D	F & G	Yes	T3C	-20°F / -29°C	40°C	90°C
35/60	T12HO RDC R17d	F24/F48-T12HO	T4A	A,B,C & D	F & G	Yes	T3C	-20°F / -29°C	40°C	90°C

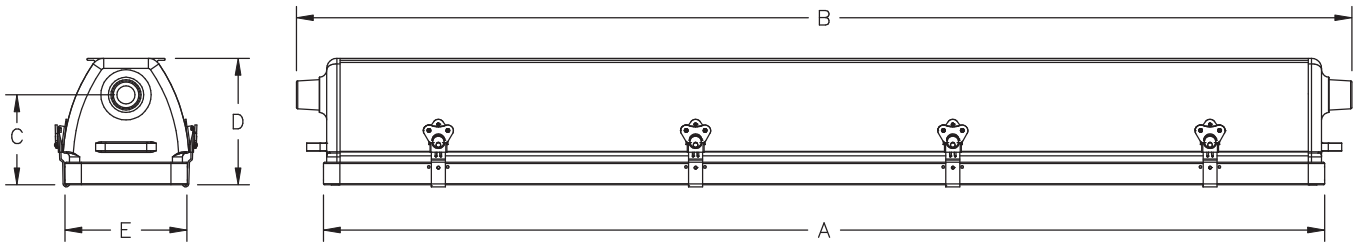
*Consult factory for optional higher ambient models.

HazMax Pinnacle/al

SPARE PARTS

Part No.	Description	Part No.	Description
FX5350	BALLAST 120-277V AC 50/60HZ, 1 x 14, F14T5	FX3568	LAMP, 24w, F24T5HO
FX5350	BALLAST 120-277V AC 50/60HZ, 1 x 28, F28T5	FX3567	LAMP, 54w, F54T5HO
FX5307	BALLAST 120-277V AC 50/60HZ, 1 x 24, F24T5HO	FX3577	LAMP, 54w, Long Life F54T5HO
FX5305	BALLAST 120-277V AC 50/60HZ, 1 x 54, F54T5HO	FX3528	LAMP, 17w, F17T8
FX5174	BALLAST 120-277V AC 50/60HZ, 1 x 17, F17T8	FX3527	LAMP, 32w, F32T8
FX5221	BALLAST 120-277V AC 50/60HZ, 1 x 32, F32T8	FX3565	LAMP, 44w, F48T8HO
FX5349	BALLAST 120-277V AC 50/60HZ, 1 x 44, F48T8HO	FX3507	LAMP, 35w, F24T12HO
FX5334	BALLAST 120-277V AC 50/60HZ, 1 x 35, F24T12HO	FX3505	LAMP, 60w, F48T12HO
FX5334	BALLAST 120-277V AC 50/60HZ, 1 x 60, F48T12HO	FX3533	LAMP, 40w CF, FT40 2G11
FX5272	BALLAST 120-277V AC 50/60HZ, 1 X 40 CF, FT40 2G11	103-2000	LENS & FRAME ASSEMBLY, 2 ft. models
FX5350	BALLAST 120-277V AC 50/60HZ, 2 x 14, F14T5	103-2001	DOOR FRAME ONLY, 2 ft. models
FX5350	BALLAST 120-277V AC 50/60HZ, 2 x 28, F28T5	103-2100	LENS ONLY, (acrylic), for 2 ft. models
FX5307	BALLAST 120-277V AC 50/60HZ, 2 x 24, F24T5HO	103-2200	LENS GASKET, 2 ft. models
FX5305	BALLAST 120-277V AC 50/60HZ, 2 X 54, F54T5HO	103-2300	REFLECTOR, 2 ft. models
FX5340	BALLAST 120-277V AC 50/60HZ, 2 x 17, F17T8	035-1060	LATCH ASSEMBLY
FX5340	BALLAST 120-277V AC 50/60HZ, 2 x 32, F32T8	103-4000	LENS & FRAME ASSEMBLY, 4 ft. models
FX5349	BALLAST 120-277V AC 50/60HZ, 2 x 44, F48T8HO	103-4001	DOOR FRAME ONLY, 4 ft. models
FX5334	BALLAST 120-277V AC 50/60HZ, 2 x 35, F24T12HO	103-4100	LENS ONLY (acrylic), 4 ft. models
FX5334	BALLAST 120-277V AC 50/60HZ, 2 x 60, F48T12HO	103-4200	LENS GASKET, 4 ft. models
FX5272	BALLAST 120-277V AC 50/60HZ, 2 x 40, FT40 2G11	103-4300	REFLECTOR, 4 ft. models
FX5128HDU	EMERGENCY BATTERY BACKUP BALLAST, EM1/EMT1, 120v-277v, CF, T8, T8HO & T12HO	758-0523	LAMP HOLDER, HO T8 & T12
FX5346HDU	EMERGENCY BATTERY BACKUP BALLAST, EM1/EMT1, 120v-277v, T5 & T5HO	752-6051	LAMP HOLDER, 2G11, 4 Pin
FX3573	LAMP, 14w, F14T5	754-7102	LAMP HOLDER, T12 & T8, Bi-Pin
FX3574	LAMP, 28w, F28T5	754-0005	LAMP HOLDER, T5 HO, fixed & spring set

DIMENSIONS



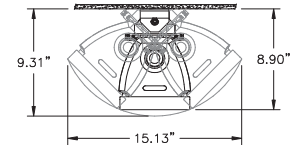
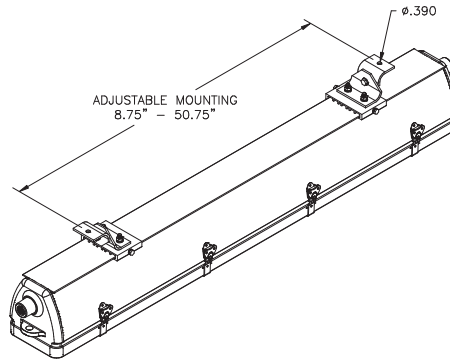
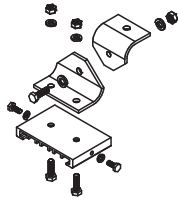
Nominal Length	Dimensions in Inches / Centimeters					Carton L x W x D inches	Nominal Weight	
	A	B	C	D	E		Lbs	Kg
2 Foot	26.0 / 66.0	27.6 / 70.2	4.4 / 11.1	6.3 / 16.0	6.5 / 16.5	8¼ X 6¼ X 31⅞	23.0	10.4
4 Foot	50.0 / 127.0	51.6 / 131.1	4.4 / 11.1	6.3 / 16.0	6.5 / 16.5	10 X 8 X 56	32.0	14.55

MOUNTING OPTIONS

DP1050MTK*

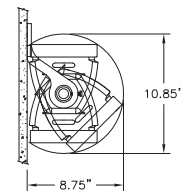
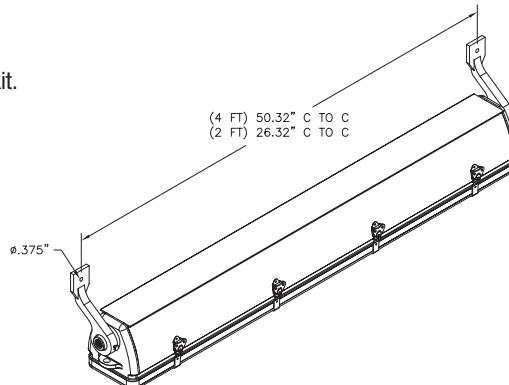
Back mount swivel kit.
 2 aluminum brackets with slide mount.

*Add suffix PS for plated steel swivel brackets.



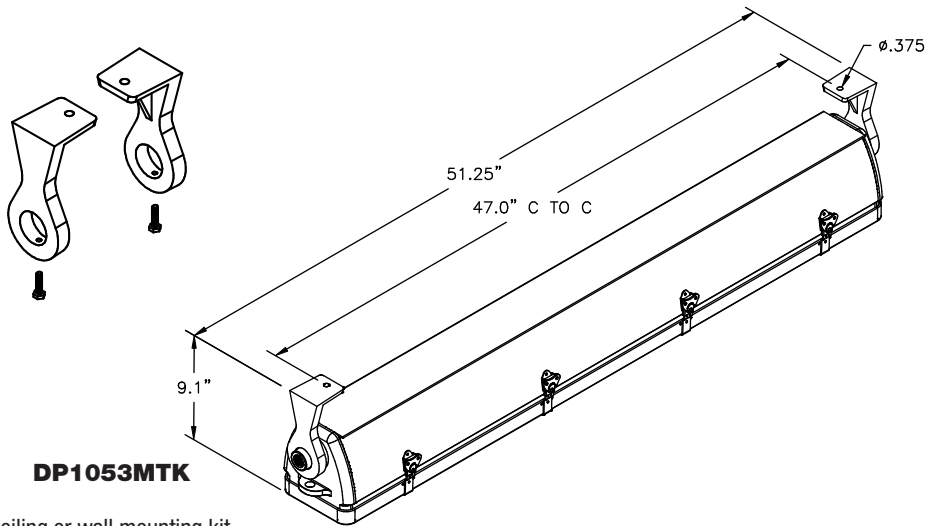
DP1052MTK

Offset wall or ceiling mounting kit.
 2 cast aluminum brackets.



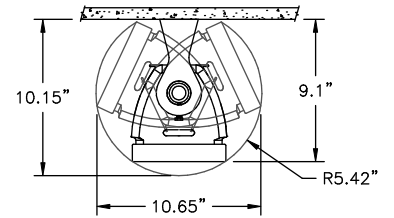
HazMax Pinnacle/al

MOUNTING OPTIONS



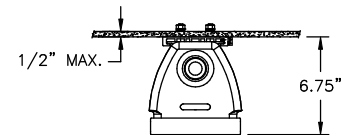
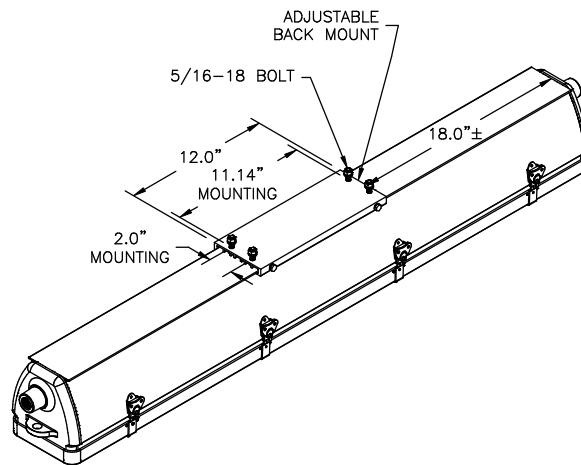
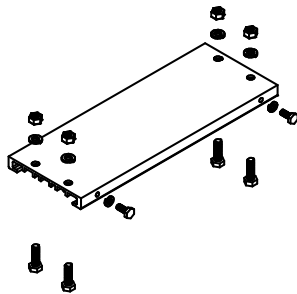
DP1053MTK

Ceiling or wall mounting kit.
 2 Cast aluminum brackets.



DP1057MTK

Fixed Back Mount plate

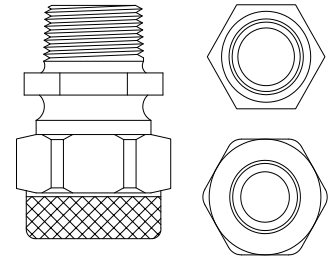
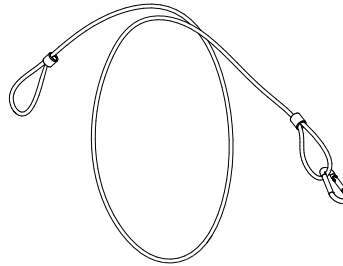
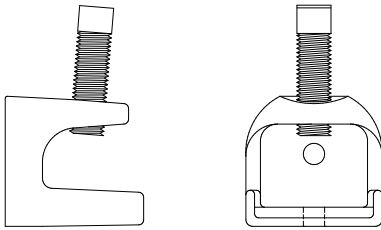


MOUNTING OPTIONS

FX7028

Beam Clamp Kit

Includes Beam clamps (2), Safety Cable & Cable Gland.



BC2K

2 Beam Clamp Kit.

For use with Surface mount kit.

SC30H

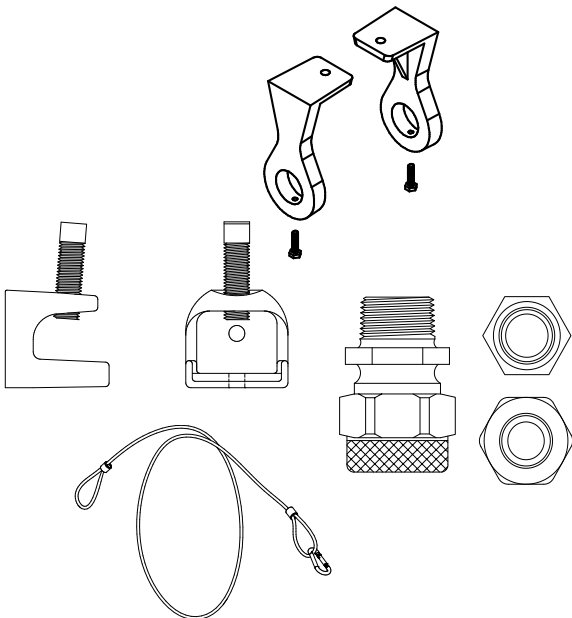
48" Safety Cable with snap hook.

CX1502

Cable Gland 3/4" Aluminum,
 Cord Grip Range .438 - .562.

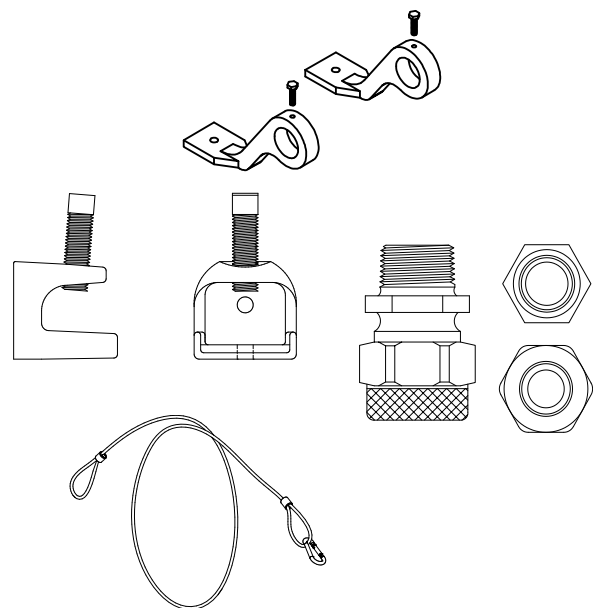
DP-STKT

Includes FX7028 and DP1053MTK.



DP-OFKT

Includes FX7028 and DP1052MTK.



Haz

HazMax Quantum/al



FEATURES

- Fluorescent system provides energy savings up to 50% when compared to HID.
- Multi voltage electronic ballast resistant to brownouts or voltage and frequency fluctuations.
- Ballast anchor point facilitates easy ballast replacement without removing fixture from service.
- Dual spring loaded lamp holders provide resistance to shock and vibration.
- Maintenance friendly swing bolt latch system allows for tool-less entry.
- Permanent safety cable attachment points at each end.
- Field replaceable lens, ballast and lamp holders.
- Neoprene gasket resists petroleum.
- Optional, self contained emergency battery backup ballasts.
- Optional certified test switch on emergency models.
- Optional stainless steel nuts with nylon inserts.
- Luminaires supplied with lamps.
- Optional long life T5 lamps available upon request (consult factory).



CHS Controls AB
Tel +46 42 38 61 00, Fax +46 42 38 61 29
chs@chscontrols.se www.chscontrols.se

APPLICATIONS

- Hazardous locations
- Watertight requirements
- Dusttight requirements
- Oil and gas drilling rigs
- Bulk storage facilities
- Hazardous material storage
- Maintenance & lubrication pits
- Surface mining
- Petrochemical facilities
- Pipeline pumping stations
- Paint storage areas

APPROVALS

- Class I Division 2 Groups A, B, C & D
- Class I Zone 2 Groups IIA, IIB & IIC
- Class II Division 2 Groups F & G
- Class III
- Type 4
- Conforms to IP66

STANDARDS

- UL 844 - Hazardous Locations
- UL 1598 - Luminaires
- CSA - Class 3428 03
- CSA - Class 3428 83

TECHNICAL SPECIFICATIONS

HOUSING

Heavy gage aluminum.

LENS

Clear polycarbonate.

REFLECTOR

Type 5052H32 aluminum with an electrostatically applied polyester powder coat finish. Minimum 90% reflectance.

GASKET

One piece neoprene.

MOUNTING

Direct or optional adjustable bracket.

LATCHES

Swing bolt latch system.

LAMP HOLDER

Double spring loaded.

ENTRIES

1 or 2 optional 1/2" NPT hubs or 3/4" NPT hubs.

LAMP TYPES

See ORDERING REFERENCES. Lamps provided.

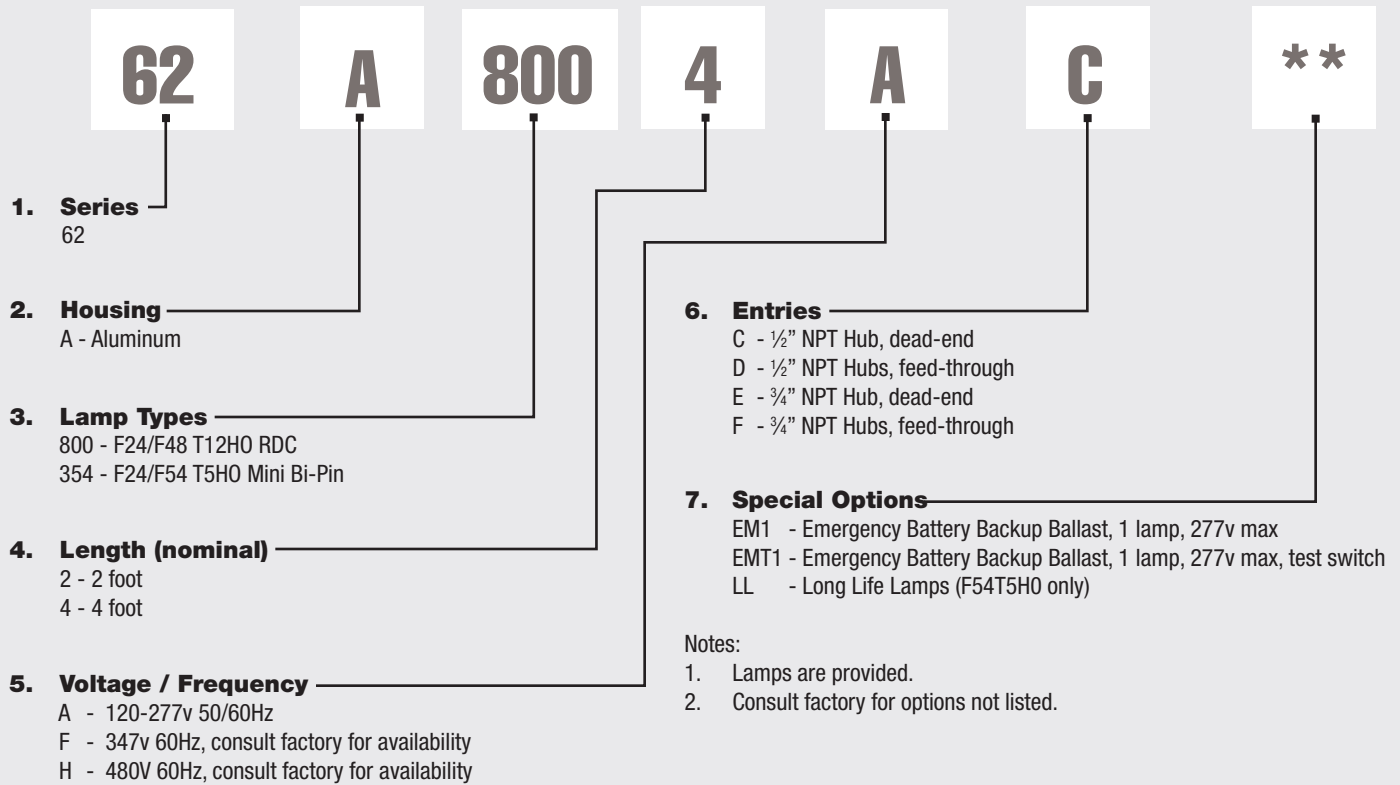
BALLAST

120 to 277 volt 50/60 Hz electronic, optional 347v and 480v.

EMERGENCY BATTERY BACKUP BALLAST

Optional, self contained. 90 minute minimum for all lamp types. Starting temperature 32°F/0°C.

ORDERING REFERENCES



SPARE PARTS

Part No.	Description
FX5307	BALLAST 120-277V AC 50/60HZ, 2 x 24, F24T5HO
FX5334	BALLAST 120-277V AC 50/60HZ, 2 x 35, F24T12HO
FX5305	BALLAST 120-277V AC 50/60HZ, 2 x 54, F54T5HO
FX5338	BALLAST 120-277V AC 50/60HZ, 2 x 60, F48T12HO
FX5128HDU	EMERGENCY BATTERY BACKUP BALLAST, EM1/EMT1, 120v-277v, T12HO
FX5346HDU	EMERGENCY BATTERY BACKUP BALLAST, EM1/EMT1, 120v-277v, T5 & T5HO
FX3568	LAMP, 24w, F24T5HO
FX3507	LAMP, 35w, F24T12HO
FX3567	LAMP, 54w, F54T5HO
FX3577	LAMP, 54w, Long Life F54T5HO
FX3505	LAMP, 60w, F48T12HO
010-4000	LENS/FRAME/GASKET ASSEMBLY, 4 ft. models
010-2000	LENS/FRAME/GASKET ASSEMBLY, 2 ft. models
010-4200	GASKET, Lens, 4 ft. models
010-2200	GASKET, Lens, 2 ft. models
010-4100	LENS, Polycarbonate, 4 ft. models
010-2100	LENS, Polycarbonate, 2 ft. models
010-4300	REFLECTOR, Coated White, 4 ft. models
010-2300	REFLECTOR, Coated White, 2 ft. models
FX4005	LAMP HOLDER, Screw Mount, T12HO RDC
FX4070	LAMP HOLDER, Slide On, Shallow Base, T12HO RDC
FX4008	LAMP HOLDER, Stationary, T5 HO Mini Bi-Pin
FX4009	LAMP HOLDER, Spring Loaded, T5 HO Mini Bi-Pin
360-0500	HUB, 1/2" NPT, Hazardous Area
360-0750	HUB, 3/4" NPT, Hazardous Area

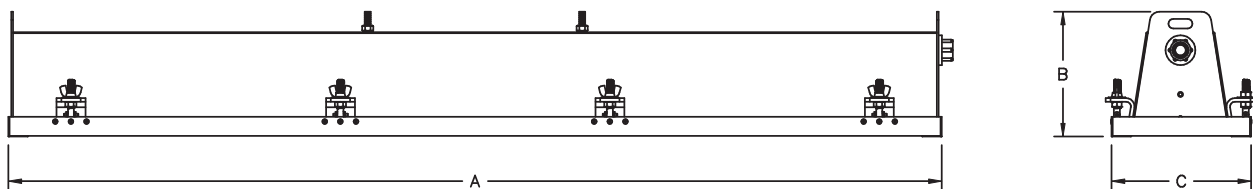
HazMax Quantum/al

TEMPERATURE CODES & APPROVALS

Lamp Wattage	Ballast/Socket Type	ANSI Lamp Code	Class I T-Code	Class I Division 2	Class II Division 2	Class III	Class II & III T-Code	Starting Temp	Maximum Ambient*	Supply Wire
35/60	T12HO RDC R17d	F24/F48-T12HO	T4A	A,B,C & D	F & G	Yes	T3C	-20°F / -29°C	40°C	90°C
24/54	T5HO Mini Bi-Pin G5	F24/F54-T5HO	T5	A,B,C & D	F & G	Yes	T3C	-20°F / -29°C	40°C	90°C

*Consult factory for optional higher ambient models.

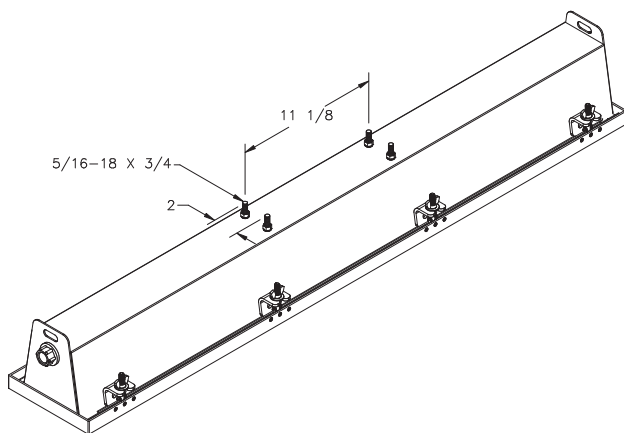
DIMENSIONS



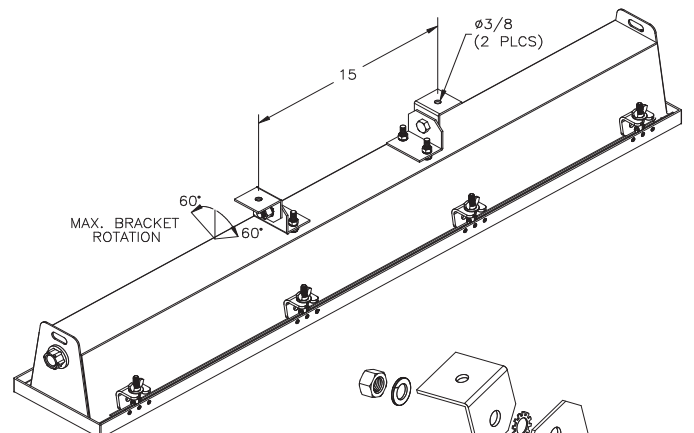
Nominal Length	Wattage	Dimensions in Inches / Centimeters			Carton W x D x L Inches	Nominal Weight	
		A	B	C		Lbs	Kg
2 Foot	35/24	24.50 / 62.22	8.00 / 20.32	7.25 / 18.41	10 X 6 X 31¼	17.0	7.7
4 Foot	60/54	48.50 / 123.18	8.00 / 20.32	7.25 / 18.41	8½ X 7 X 50	28.0	12.7

MOUNTING OPTIONS

Standard Mount



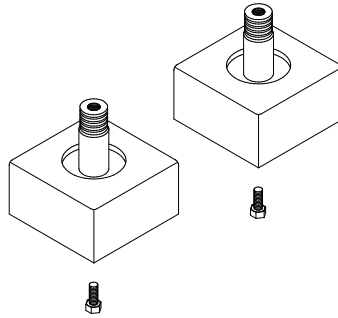
Shown with (2) 5037 Mounting Kit



5037

Adjustable mounting bracket (1 per kit). Two required per fixture.

ACCESSORIES

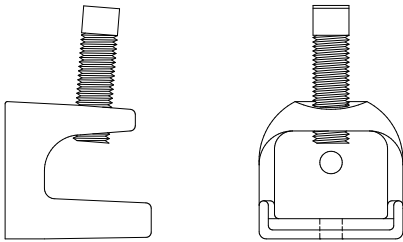


SM2K -

Shock mounting kit (2), for use with 5037 brackets.

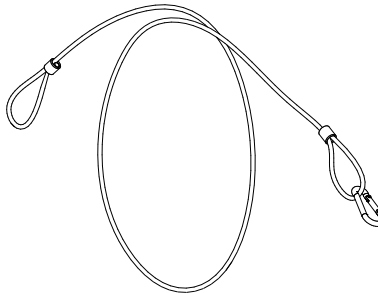
Beam Clamp Kit FX7028

Includes Beam clamps (2), Safety Cable & Cable Gland



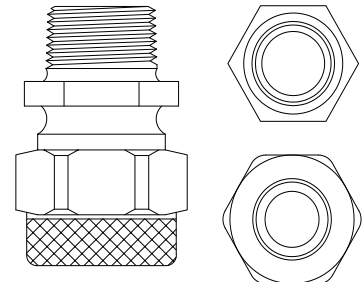
BC2K

2 Beam Clamp Kit.
 For use with Surface mount kit.



SC30H

48" Safety Cable with snap hook.



CX1502

Cable Gland 3/4" Aluminum,
 Cord Grip Range .438 - .562.

Haz

HazMax Magna/al



FEATURES

- Fluorescent system provides energy savings up to 50% when compared to HID.
- Multi voltage electronic ballast resistant to brownouts or voltage and frequency fluctuations.
- Heavy duty lens and housing.
- Full length flange on base allows for direct mounting.
- Optional slide-in mounting bracket for ease of removal.
- Tool less entry via heavy duty twist draw latches.
- Lens frame hinged on side for easy lamp replacement.
- UV and impact resistant polycarbonate lens.
- Extruded aluminum lens frame, seam welded.
- Neoprene gasket resists petroleum.
- Spring loaded lamp holders, for linear lamps resist shock and vibration.
- Optional self contained emergency battery backup ballasts.
- Optional certified test switch on emergency models.
- Optional long life T5 lamps available upon request (consult factory).

APPLICATIONS

- Hazardous locations
- Oil and gas exploration and production
- Waste water treatment plants
- Pipeline compressor / pumping & storage
- Maintenance & lubrication pits
- Petrochemical facilities
- High abuse areas

APPROVALS

- Class I Division 2 - Groups A, B, C, & D
- Class I Zone 2 - Groups IIA, IIB & IIC
- Class II Division 2 - Groups F & G
- Class III
- Type 3R

STANDARDS

- UL 844 - Hazardous Locations
- UL 1598 - Luminaires
- CSA - Class 3428 03
- CSA - Class 3428 83

TECHNICAL SPECIFICATIONS

HOUSING

Extruded aluminum with cast end caps.

LENS

0.125 inch thick clear polycarbonate.

REFLECTOR

Copper free aluminum with a white gloss finish.

GASKET

One piece neoprene.

MOUNTING

Direct via full length flange. Optional slide style kit.

LATCHES

Plated steel twist draw.

LAMP HOLDER

Spring loaded on both ends for linear lamp types.

ENTRIES

1/2" NPT feed-through outlets, optional 3/4" NPT outlets.

LAMP TYPES

See ORDERING REFERENCES. Lamps not provided.

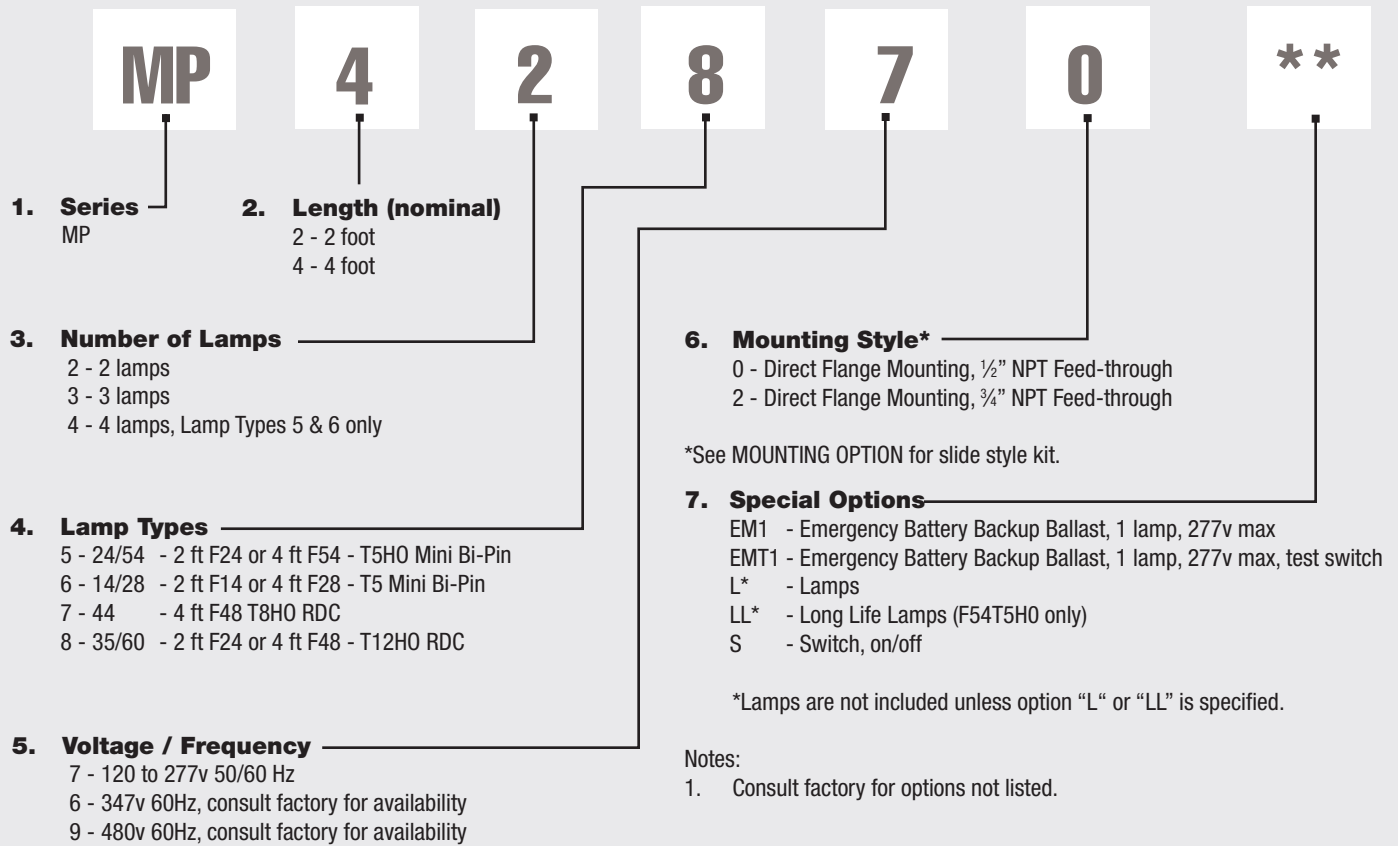
BALLAST

120 to 277 volt 50/60 Hz electronic standard, optional 347v and 480v.

EMERGENCY BATTERY BACKUP BALLAST

Optional, self contained 90 minute minimum for all lamp types. Starting temperature 32°F/0°C.

ORDERING REFERENCES



SPARE PARTS

Part No.	Description
FX5350	BALLAST 120-277V AC 50/60HZ, 1 x 14, F14T5
FX5307	BALLAST 120-277V AC 50/60HZ, 1 x 24, F24T5HO
FX5350	BALLAST 120-277V AC 50/60HZ, 1 x 28, F28T5
FX5307	BALLAST 120-277V AC 50/60HZ, 1 x 24, F24T5HO
FX5334	BALLAST 120-277V AC 50/60HZ, 1 x 35, F24T12HO
FX5349	BALLAST 120-277V AC 50/60HZ, 1 x 44, F48T8HO
FX5305	BALLAST 120-277V AC 50/60HZ, 1 x 54, F54T5HO
FX5334	BALLAST 120-277V AC 50/60HZ, 1 x 60, F48T12HO
FX5350	BALLAST 120-277V AC 50/60HZ, 2 x 14, F14T5
FX5307	BALLAST 120-277V AC 50/60HZ, 2 x 24, F24T5HO
FX5350	BALLAST 120-277V AC 50/60HZ, 2 x 28, F28T5
FX5334	BALLAST 120-277V AC 50/60HZ, 2 x 35, F24T12HO
FX5349	BALLAST 120-277V AC 50/60HZ, 2 x 44, F48T8HO
FX5305	BALLAST 120-277V AC 50/60HZ, 2 x 54, F54T5HO
FX5334	BALLAST 120-277V AC 50/60HZ, 2 x 60, F48T12HO
FX5128HDU	EMERGENCY BATTERY BACKUP BALLAST, EM1/EMT1, 120v-277v, CF, T8HO & T12HO
FX5346HDU	EMERGENCY BATTERY BACKUP BALLAST, EM1/EMT1, 120v-277v, T5 & T5HO
FX3573	LAMP, 14w, F14T5
FX3568	LAMP, 24w, F24T5HO
FX3574	LAMP, 28w, F28T5
FX3507	LAMP, 35w, F24T12HO
FX3565	LAMP, 44w, F48T8HO
FX3567	LAMP, 54w, F54T5HO
FX3577	LAMP, 54w, Long Life F54T5HO
FX3505	LAMP, 60w, F48T12HO
005-4000	DOOR FRAME ASSEMBLY, 4 ft. models
005-2000	DOOR FRAME ASSEMBLY, 2 ft. models
005-4100	LENS, POLYCARBONATE, 4 ft. models
005-2100	LENS, POLYCARBONATE, 2 ft. models
005-4200	GASKET, neoprene, 4 ft. models
005-2200	GASKET, neoprene, 2 ft. models
005-4300	REFLECTOR, 4 ft. models, HO model
005-4310	REFLECTOR, 4 ft. models, except HO
005-2300	REFLECTOR, 2 ft. models, HO model
005-2310	REFLECTOR, 2 ft. models, except HO
758-0523	LAMP HOLDER, RDC, spring loaded HO models
752-6051	LAMP HOLDER, 2G11 type, CF models
754-0005	LAMP HOLDER, T5 HO fixed & spring set
035-1065	LATCH LOCK
035-1066	HINGE LOCK
035-1064	KEEPER PLATE

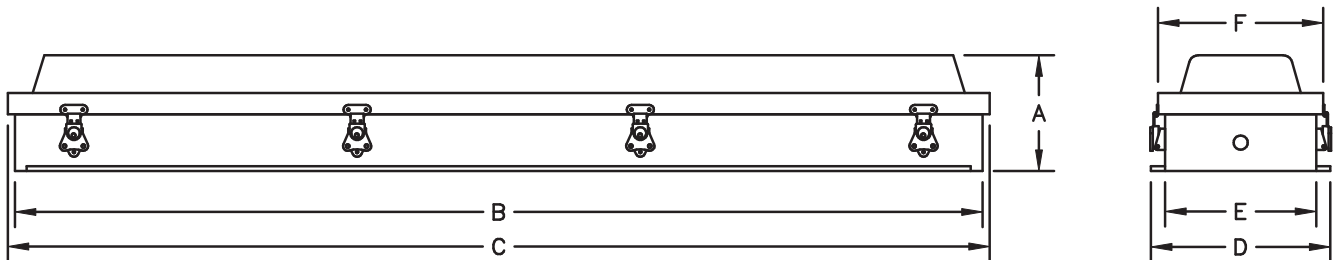
HazMax Magna/al

TEMPERATURE CODES & APPROVALS

Lamp Wattage	Ballast/Socket Type	ANSI Lamp Code	Class I T-Code	Class I Division 2	Class II Division 2	Class III	Class II & III T-Code	Starting Temp	Maximum Ambient*	Supply Wire
14/28	T5 Mini Bi-Pin G5	F14/F28-T5	T5	A,B,C & D	F & G	Yes	T3C	0°F / -18°C	40°C	90°C
24/54	T5HO Mini Bi-Pin G5	F24/F54-T5HO	T5	A,B,C & D	F & G	Yes	T3C	-20°F / -29°C	40°C	90°C
35/60	T12HO RDC R17d	F24/F48-T12HO	T4A	A,B,C & D	F & G	Yes	T3C	-20°F / -29°C	40°C	90°C
40	4 Pin 2G11	FT40-CF	T5	A,B,C & D	F & G	Yes	T3C	0°F / -18°C	55°C	90°C
44	T8HO RDC R17d	F48-T8HO	T4A	A,B,C & D	F & G	Yes	T3C	-20°F / -29°C	40°C	90°C

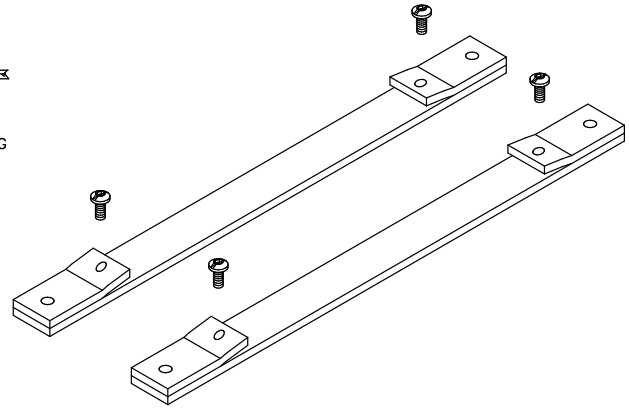
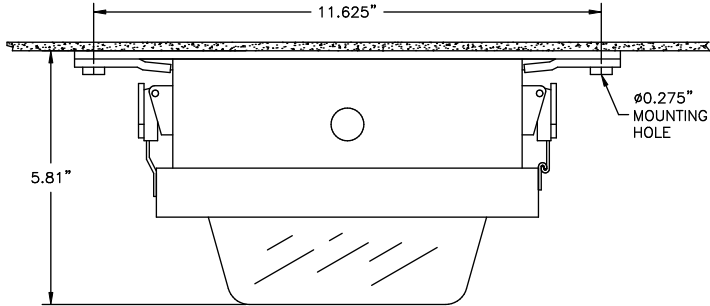
*Consult factory for optional higher ambient models.

DIMENSIONS



Nominal Length	Dimensions in Inches / Centimeters						Carton W x D x L Inches	Nominal Weight	
	A	B	C	D	E	F		Lbs	Kg
2 Foot	5.6 / 15.3	27.25 / 69.2	28.0 / 71.1	9.5 / 24.2	8.0 / 20.3	8.75 / 22.2	11 ¼ X 5 ¾ X 30 ¾	19.0	8.6
4 Foot	5.6 / 15.3	51.25 / 130.2	52.0 / 132.1	9.5 / 24.2	8.0 / 20.3	8.75 / 22.2	15 X 6 ½ X 52	29.0	13.2

MOUNTING OPTIONS



MP1054MTK
Slide Style Surface Mounting Kit.

Haz

HazMax Intrepid/al



FEATURES

- Fluorescent system provides energy savings up to 50% when compared to HID.
- Third party certified for operation in high ambient temperatures, up to 65°C (149°F).
- Multi voltage electronic ballast resistant to brownouts or voltage and frequency fluctuations.
- Stainless steel latches, mounting feet and lens retainers.
- Impact resistant UV stabilized polycarbonate lens.
- Shoc♦Loc™ Bi-Pin spring loaded lamp holders for T5, T8 and T12 lamp types, provide superior resistance to shock and vibration.
- USDA compliant materials.
- Meets Canadian Processed Products Regulations C.R.C. c291.
- Neoprene gasket resists petroleum.
- Three-lamp models are provided with (1) single-lamp ballast and (1) two-lamp ballast for independent switching.
- Optional self contained emergency battery backup ballasts.
- Optional certified test switch on emergency models.
- Optional long life T5 lamps available upon request (consult factory).

APPLICATIONS

- Hazardous locations
- Marine and watertight requirements
- Dusttight requirements
- Oil and gas exploration and production
- Petrochemical facilities
- Food & beverage processing facilities
- Waste water treatment plants

APPROVALS

- Class I Division 2 Groups A, B, C, & D
- Class I Zone 2 Groups IIA, IIB & IIC
- Class II Division 2 Groups F & G
- Class III Type 4 Enclosure
- Type 4
- IP66
- Marine Outside Type Saltwater
- ABS
- NSF

STANDARDS

- UL 844 - Hazardous Locations
- UL 924 - Emergency Lighting Equipment
- UL 1598A - Luminaires for Marine Vessels
- EN 60529 - Ingress Protection
- Canadian Processed Products Regulations C.R.C., c.291
- CSA - Class 3428 03
- CSA - Class 3428 83
- NSF/ANSI 2-2007 Splash Zone

TECHNICAL SPECIFICATIONS

HOUSING

.062 inch thick, type 5052H32 aluminum with an electrostatically applied polyester powder coat finish.

LENS

0.090 inch thick, matte polycarbonate. Optional clear polycarbonate.

REFLECTOR

Type 5052H32 aluminum with an electrostatically applied white polyester powder coat finish. Minimum 90% reflectance.

GASKET

One piece neoprene.

MOUNTING

Stainless steel vibration dampening feet for ceiling, wall or chain mount. Optional pendant mount version. Kits available for uni-strut/rod and pole mount.

LATCHES

Stainless steel over the center cam.

LAMP HOLDERS

Spring loaded on one end for linear lamp types.

ENTRIES

Two 3/4" NPT hubs, one end plugged.

LAMP TYPES

See ORDERING REFERENCES. Lamps not provided.

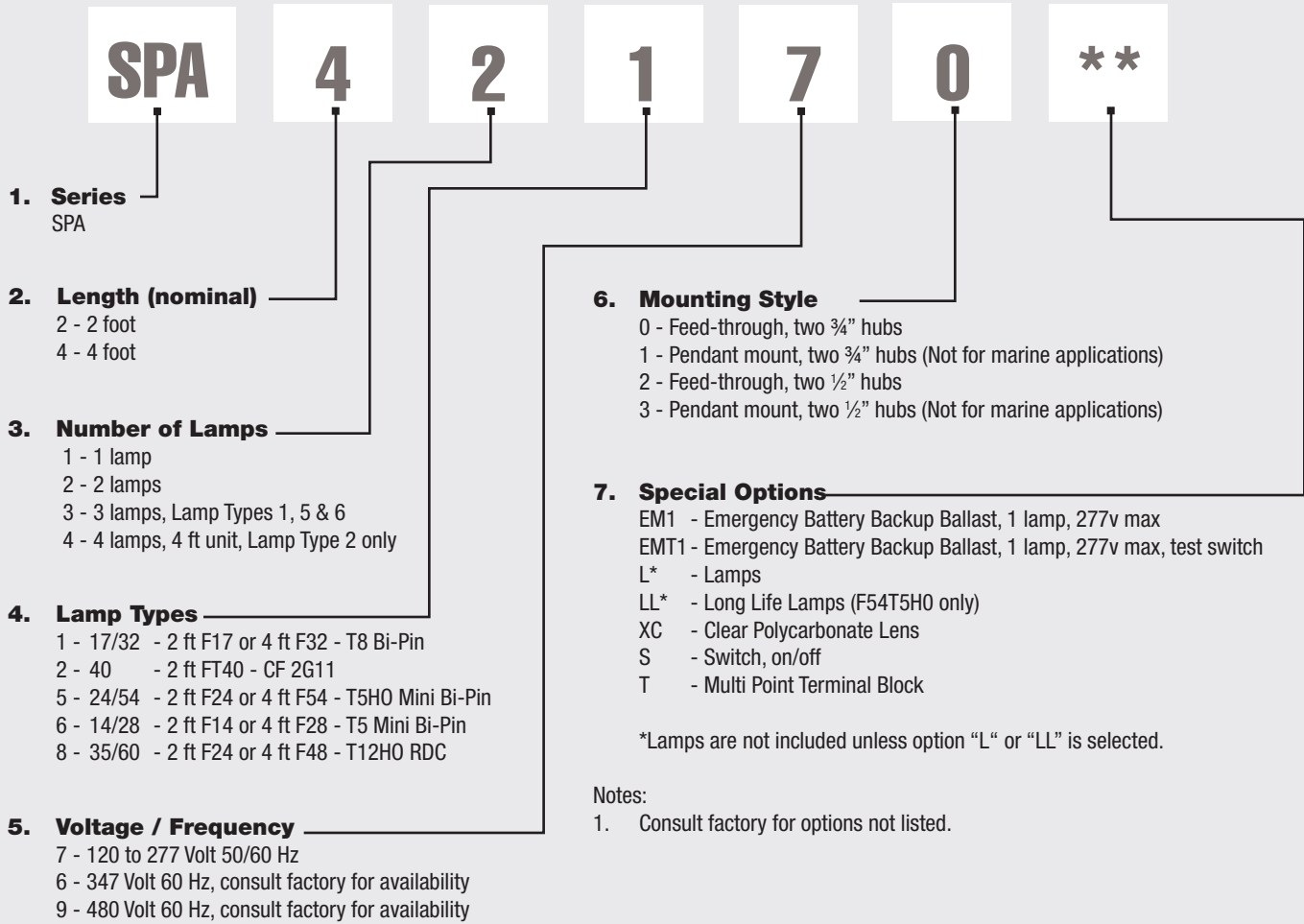
BALLAST

120 to 277 volt 50/60 Hz electronic, optional 347v and 480v.

EMERGENCY BATTERY BACKUP BALLAST

Optional, self contained 90 minute minimum for all lamp types. 120 minutes minimum for F32T8 one lamp. Starting temperature 32°F/0°C.

ORDERING REFERENCES



COMMONLY ORDERED LUMINAIRES & CROSS REFERENCE

Part No.	Description	Legacy P/N	Weight	
			Lbs	KG
SPA22170	Aluminum 2 foot fixture 2 x F17 120-277v 50/60 Hz	FAS217D2	8.5	3.9
SPA42170	Aluminum 4 foot fixture 2 x F32 120-277v 50/60 Hz	FAS232D2	16.2	7.3
SPA42570	Aluminum 4 foot fixture 2 x F54 120-277v 50/60 Hz	FAS254D2	16.2	7.3
SPA42870	Aluminum 4 foot fixture 2 x F48 120-277v 50/60 Hz	FAS260D2	17.8	8.1
FX2175	Matte Polycarbonate Lens with Gasket 2 foot	FX2175	1.5	.68
FX2177	Matte Polycarbonate Lens with Gasket 4 foot	FX2177	2.7	1.22
FX2163	Clear Bottom Polycarbonate Lens with Gasket 2 foot	FX2163	1.5	.68
FX2165	Clear Bottom Polycarbonate Lens with Gasket 4 foot	FX2165	2.7	1.22
FX8014	Latches	FX8014	.1	.05

HazMax Intrepid/al

SPARE PARTS

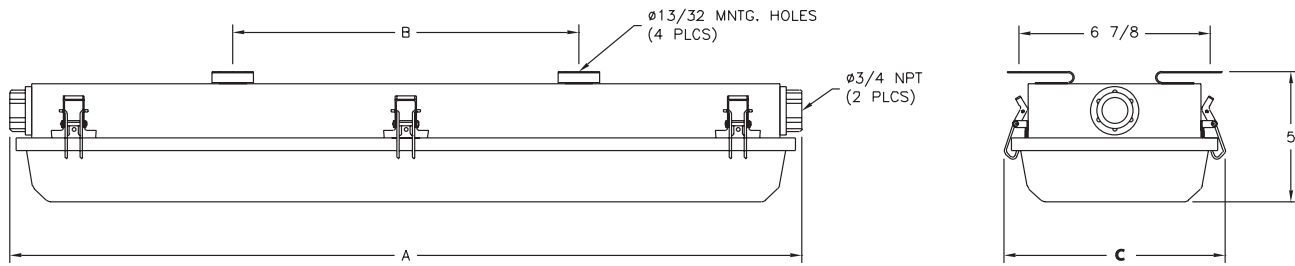
Part No.	Description		
FX5350	BALLAST 120-277V AC 50/60HZ, 1 x 14, F14T5	FX3568	LAMP, 24w, F24T5HO
FX5350	BALLAST 120-277V AC 50/60HZ, 1 x 28, F28T5	FX3567	LAMP, 54w, F54T5HO
FX5307	BALLAST 120-277V AC 50/60HZ, 1 x 24, F24T5HO	FX3577	LAMP, 54w, Long Life F54T5HO
FX5305	BALLAST 120-277V AC 50/60HZ, 1 x 54, F54T5HO	FX3528	LAMP, 17w, F17T8
FX5174	BALLAST 120-277V AC 50/60HZ, 1 x 17, F17T8	FX3527	LAMP, 32w, F32T8
FX5221	BALLAST 120-277V AC 50/60HZ, 1 x 32, F32T8	FX3507	LAMP, 35w, F24T12HO
FX5334	BALLAST 120-277V AC 50/60HZ, 1 x 35, F24T12HO	FX3505	LAMP, 60w, F48T12HO
FX5334	BALLAST 120-277V AC 50/60HZ, 1 x 60, F48T12HO	FX3533	LAMP, 40w CF, FT40 2G11
FX5272	BALLAST 120-277V AC 50/60HZ, 1 X 40 CF, FT40 2G11	FX8014	LATCH
FX5350	BALLAST 120-277V AC 50/60HZ, 2 x 14, F14T5	GKT6106-69	LENS GASKET, 2ft. models
FX5350	BALLAST 120-277V AC 50/60HZ, 2 x 28, F28T5	GKT6106-117	LENS GASKET, 4ft. models
FX5307	BALLAST 120-277V AC 50/60HZ, 2 x 24, F24T5HO	FX4008	LAMP HOLDER, 17w, 20w, 24w, 32w, 40w & 54w Stationary
FX5305	BALLAST 120-277V AC 50/60HZ, 2 x 54, F54T5HO	FX4009	LAMP HOLDER, 17w, 20w, 24w, 32w, 40w & 54w Spring
FX5340	BALLAST 120-277V AC 50/60HZ, 2 x 17, F17T8	FX4008SET	LAMP HOLDER, (1 ea. FX4008, FX4009)
FX5340	BALLAST 120-277V AC 50/60HZ, 2 x 32, F32T8	FX4004	LAMP HOLDER, 35w & 60w Stationary
FX5334	BALLAST 120-277V AC 50/60HZ, 2 x 35, F24T12HO	FX4005	LAMP HOLDER, 35w & 60w Spring
FX5334	BALLAST 120-277V AC 50/60HZ, 2 x 60, F48T12HO	FX4004SET	LAMP HOLDER, (1 ea. FX4004, FX4005)
FX5272	BALLAST 120-277V AC 50/60HZ, 2 x 40 CF, FT40 2G11	FX4043	LAMP HOLDER, 40w CF
FX5128HDU	EMERGENCY BATTERY BACKUP BALLAST, EM1/EMT1, 120-277V for T8, T8HO, T12, T12HO & CF	FX2175	MATTE POLYCARBONATE LENS (with Gasket), 2ft. models
FX5346HDU	EMERGENCY BATTERY BACKUP BALLAST, EM1/EMT1, 120-277V for T5, T5HO	FX2177	MATTE POLYCARBONATE LENS (with Gasket), 4ft. models
FX3573	LAMP, 14w, F14T5	FX2163	CLEAR POLYCARBONATE LENS (with Gasket), 2ft. models
FX3574	LAMP, 28w, F28T5	FX2165	CLEAR POLYCARBONATE LENS (with Gasket), 4ft. models

TEMPERATURE CODES & APPROVALS

Lamp Wattage	Ballast/Socket Type	ANSI Lamp Code	Class I T-Code	Class I Division 2	Class II Division 2	Class III	Class II & III T-Code	Starting Temp	Maximum Ambient*	Supply Wire
17	T8 Bi-Pin G13	F17/F32-T8	T5	A,B,C & D	F & G	Yes	T3C	0°F / -18°C	55°C	90°C
32	T8 Bi-Pin G13	F17/F32-T8	T5	A,B,C & D	F & G	Yes	T3C	-20°F / -29°C	55°C	90°C
40	4 Pin 2G11	FT40-CF	T4	A,B,C & D	F & G	Yes	T3C	0°F / -18°C	55°C	90°C
24/54	T5HO Mini Bi-Pin G5	F24/F54-T5HO	T4	A,B,C & D	F & G	Yes	T3C	-20°F / -29°C	55°C	90°C
14/28	T5 Mini Bi-Pin G5	F14/F28-T5	T4	A,B,C & D	F & G	Yes	T3C	0°F / -18°C	55°C	90°C
35/60	T12HO RDC R17d	F24/F48-T12HO	T4	A,B,C & D	F & G	Yes	T3C	-20°F / -29°C	40°C	90°C

*Consult factory for optional higher ambient models.

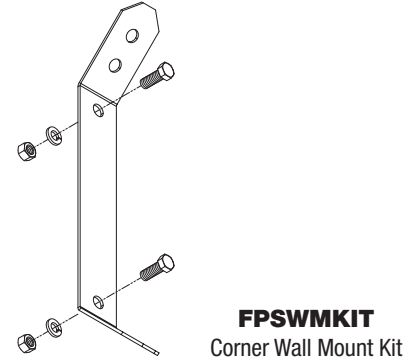
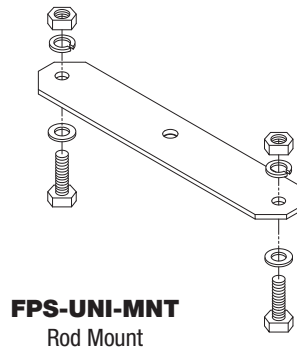
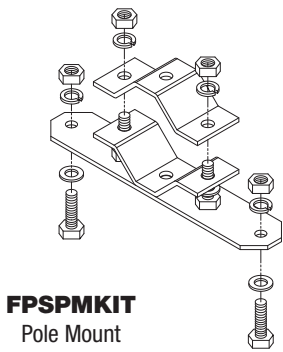
DIMENSIONS



Nominal Length	Dimensions in Inches / Centimeters			Carton W x D x L Inches	Nominal Weight	
	A	B	C		Lbs	Kg
2 Foot	29.0 / 73.7	12.44 / 31.59	7.625 / 19.4	8 ³ / ₄ x 6 ¹ / ₄ x 31 ¹ / ₈	8.2	3.7
4 Foot	53.0 / 134.6	36.56 / 92.87	7.625 / 19.4	8 ¹ / ₂ x 6 x 56 ¹ / ₁₆	12.7	5.8

MOUNTING OPTIONS

MOUNTING KITS



XPF

XPFMax Commander/al



FEATURES

- High output luminaire, up to 40,000 raw lumens.
- Available with two T5HO lamps in each globe assembly.
- Fluorescent system provides energy savings up to 50% when compared to HID.
- Multi voltage electronic ballast resistant to brownouts or voltage and frequency fluctuations.
- Ease of maintenance with factory sealed, field replaceable globe assemblies.
- Provided with 4100° K, low mercury TPLC compliant lamps.
- Impact resistant borosilicate glass tubes.
- Re-lamping from either end of the luminaire allows for flexible positioning.
- Adjustable mounting brackets allow a 180° range of aiming positions.
- Integral safety cable mounting points.
- Spring loaded lamp holders for maximum vibration resistance.
- Optional UL listed for paint spray booth applications.
- Optional self contained emergency battery backup ballasts.
- Optional long life T5 lamps available upon request (consult factory).

APPLICATIONS

- Class I, II & III Division 1 explosive atmospheres
- High, mid & low bay
- Paint booths
- Paint & formulation facilities
- Aircraft fueling & maintenance areas
- Oil and gas exploration and production
- Fuel dispensing facilities
- Marine and watertight requirements
- Petrochemical facilities
- Dusttight requirements

APPROVALS

- Class I Division 1 Groups C & D
- Class II Zone 1 Groups IIA & IIB
- Class II Divisions 1 & 2 Groups E, F & G
- Class III
- Conforms to IP66
- Marine Outside Type Saltwater
- Paint Spray Booth Approval (Optional)
- ABS

STANDARDS

- UL 844 - Hazardous Locations
- UL 924 - Emergency Lighting Equipment
- UL 1598A - Luminaires for Marine Vessels
- CSA -Class 3428 03
- CSA -Class 3428 83

TECHNICAL SPECIFICATIONS

HOUSING

Cast copper free aluminum. Optional, nickel plated brass end caps.

HARDWARE

Stainless steel.

REFLECTOR

Type 5052H32 aluminum with an electrostatically applied white polyester powder coat finish. Minimum 90% reflectance.

GLOBE ASSEMBLY

Factory sealed field replaceable globe assembly. High impact resistant tempered borosilicate glass.

LAMP HOLDERS

Spring loaded for T5, T5HO, T8 & T12 lamp types. Engineered plastics, no urea materials.

ENTRIES

Two 3/4" NPT outlets, one plugged.

MOUNTING

Two adjustable surface mount brackets with 3/8" Ø mounting holes. Two beam clamps and one 48" stainless steel safety cable with snap hook provided.

GUARD

Optional, stainless steel.

LAMP TYPES

See ORDERING REFERENCES. Lamps provided.

BALLAST

120 to 277 volt 50/60 Hz electronic, optional 347v and 480v.

EMERGENCY BATTERY BACKUP BALLAST

Optional, self contained 90 minute minimum for all lamp types. 120 minutes minimum for F32T8 one lamp. Starting temperature 32°F/0°C.

ORDERING REFERENCES



1. Series
FEPR

- 2. Number of Lamps**
- 1 - 1 lamp
 - 2 - 2 lamps
 - Single globe assembly for T5 lamp types
 - Two globe assemblies for T8 & T12 lamp types
 - 3 - 3 lamps
 - 4 - 4 lamps
 - Two globe assemblies for T5 lamp types
 - Four globe assemblies for T8 & T12 lamp types
 - 6* - 6 lamps
 - Three globe assemblies for T5 lamp types
 - 8 - 8 lamps
 - Four globe assemblies for T5 lamp types
- *Not for marine applications.

- 3. Lamp Types**
- 14 - 2 ft F14 T5 Mini Bi-Pin
 - 17 - 2 ft F17 T8 Bi-Pin
 - 24 - 2 ft F24 T5HO Mini Bi-Pin
 - 28 - 4 ft F28 T5 Bi-Pin
 - 32 - 4 ft F32 T8 Bi-Pin
 - 35 - 2 ft F24 T12HO RDC
 - 54 - 4 ft F54 T5HO Mini Bi-Pin
 - 60 - 4 ft F48 T12HO RDC

4. Housing
A - Aluminum

- 5. Special Options**
- EM1* - Emergency Battery Backup Ballast, 1 lamp, 277v max
 - EMT1* - Emergency Battery Backup Ballast, 1 lamp, 277v max, test switch
 - EM2** - Emergency Battery Backup Ballast, 1 lamp, 277v max
 - EMT2** - Emergency Battery Backup Ballast, 1 lamp, 277v max, test switch
 - EM3** - Emergency Battery Backup Ballast, high lumen, 1 lamp, 277v max
 - EMT3** - Emergency Battery Backup Ballast, high lumen, 1 lamp, 277v max, test switch
 - LL - Long Life Lamps (F54T5HO only)
 - GRD - Stainless Steel Wire Guard (Field installable)
 - PNT - Paint Spray Area Type Luminaire
 - CY4 - Pendant Mount 3/4" NPT (Not field installable) (Not offered with SM option)
 - TLT - Tilt Mount Brackets
 - SM - Shock and Vibration Mount (Not offered with CY4 option)
 - T - Terminal Block
 - NP - Nickel Plated Brass End Cap Assemblies
 - 346 - 347 Volt 60 Hz, consult factory for availability
 - 486 - 480 Volt 60 Hz, consult factory for availability

*T5/T5HO models only.
 **Not for T5/T5HO models also not for 60W HO or EM2.

- Notes:
 1. Consult factory for options not listed.

SPARE PARTS

Part No.	Description	Part No.	Description	Part No.	Description
FX5350	BALLAST 120-277V 60HZ, 1 x 14, F14T5	FX5095U	EMERGENCY BATTERY BACKUP BALLAST, EM3/EMT3, CF, T8, T12, T12HO 120-277v	FX9014A-60	COMPLETE GLOBE ASSEMBLY, 60w, 4 ft models
FX5350	BALLAST 120-277V 60HZ, 1 x 28, F28T5	FX5346	EMERGENCY BATTERY BACKUP BALLAST, EM1/EMT1, T5 & T5HO 120-277v	FX4622	LAMP HOLDERS (2 per lamp), 14/28 & 24/54
FX5355	BALLAST 120-277V 60HZ, 1 x 24, F24T5HO	FX3573	LAMP, 14w, F14T5	FX4072	LAMP HOLDERS (2 per lamp), 17 & 32 2008 models and later
FX5337	BALLAST 120-277V 60HZ, 1 x 54, F54T5HO	FX3574	LAMP, 28w, F28T5	FX4073	LAMP HOLDERS (2 per lamp), 35 & 60 2008 models and later
FX5174	BALLAST 120-277V 60HZ, 1 x 17, F17T8	FX3568	LAMP, 24w, F24T5HO	FX4012	Pre-2008 - LAMP HOLDERS (2 per lamp), 17 & 32
FX5221	BALLAST 120-277V 60HZ, 1 x 32, F32T8	FX3567	LAMP, 54w, F54T5HO	FX4010	Pre-2008 - LAMP HOLDERS (2 per lamp), 35 & 60
FX5334	BALLAST 120-277V 60HZ, 1 x 35, F24T12HO	FX3577	LAMP, 54w, Long Life F54T5HO	FX7007	MOUNTING BRACKET, Standard
FX5334	BALLAST 120-277V 60HZ, 1 x 60, F48T12HO	FX3528	LAMP, 17w, F17T8	FX7005	MOUNTING BRACKET, Tilt Kits (2 ea)
FX5350	BALLAST 120-277V 60HZ, 2 x 14, F14T5	FX3527	LAMP, 32w, F32T8	FX1013	GUARD, 1 lamp, 2 ft models
FX5350	BALLAST 120-277V 60HZ, 2 x 28, F28T5	FX3507	LAMP, 35w, F24T12HO	FX1004	GUARD, 2 lamp, 2 ft models
FX5355	BALLAST 120-277V 60HZ, 2 x 24, F24T5HO	FX3505	LAMP, 60w, F48T12HO	FX1010	GUARD, 3 lamp, 2 ft models
FX5337	BALLAST 120-277V 60HZ, 2 x 54, F54T5HO	FX9012A-214	COMPLETE GLOBE ASSEMBLY, 14w, 2 ft models	FX1004	GUARD, 4 lamp (2 required), 2 ft models
FX5340	BALLAST 120-277V 60HZ, 2 x 17, F17T8	FX9012A-224	COMPLETE GLOBE ASSEMBLY, 24w, 2 ft models	FX1014	GUARD, 1 lamp, 4 ft models
FX5340	BALLAST 120-277V 60HZ, 2 x 32, F32T8	FX9012A-17	COMPLETE GLOBE ASSEMBLY, 17w, 2 ft models	FX1002	GUARD, 2 lamp, 4 ft models
FX5334	BALLAST 120-277V 60HZ, 2 x 35, F24T12HO	FX9012A-35	COMPLETE GLOBE ASSEMBLY, 35w, 2 ft models	FX1005	GUARD, 3 lamp, 4 ft models
FX5334	BALLAST 120-277V 60HZ, 2 x 60, F48T12HO	FX9014A-228	COMPLETE GLOBE ASSEMBLY, 28w, 4 ft models	FX1002	GUARD, 4 lamp (2 required), 4 ft models
FX5135U	EMERGENCY BATTERY BACKUP BALLAST, EM2/EMT2, CF, T8, T12, T12HO 120-277v	FX9014A-254	COMPLETE GLOBE ASSEMBLY, 54w, 4 ft models	SC30H	SAFETY CABLE, 48" Stainless Steel with snap hook
		FX9014A-32	COMPLETE GLOBE ASSEMBLY, 32w, 4 ft models	BC2K	BEAM CLAMP KIT (2 ea)

Aluminum - Hazardous Area Lighting

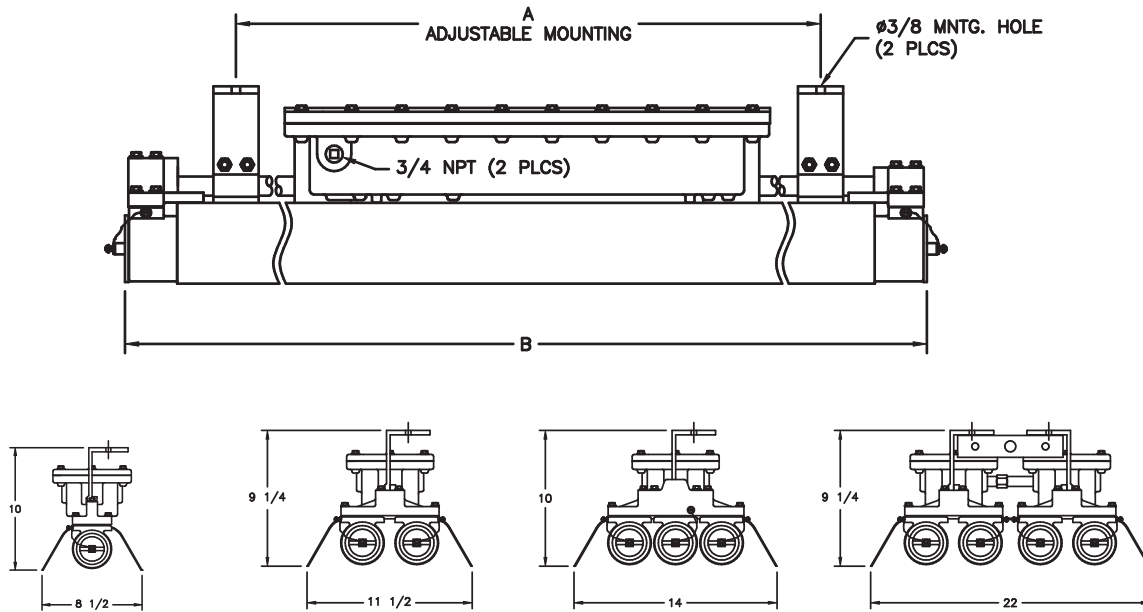
XPFMax Commander/al

TEMPERATURE CODES & APPROVALS

Lamp Wattage	Ballast/Socket Type	ANSI Lamp Code	Class I T-Code	Class I Division 2	Class II Divisions 1 & 2	Class III	Class II & III T-Code	Starting Temp	Maximum Ambient*	Supply Wire
14/28	T5 Mini Bi-Pin G5	F14/F28-T5	T5	C & D	E, F & G	Yes	T3C	0°F / -18°C	40°C	90°C
17	T8 Bi-Pin G13	F17-T8	T5	C & D	E, F & G	Yes	T3C	0°F / -18°C	40°C	90°C
32	T8 Bi-Pin G13	F32-T8	T5	C & D	E, F & G	Yes	T3C	-20°F / -29°C	40°C	90°C
24/54	T5HO Mini Bi-Pin G5	F24/F54-T5HO	T5	C & D	E, F & G	Yes	T3C	-20°F / -29°C	40°C	90°C
35/60	T12HO RDC R17d	F24/F48-T12HO	T5	C & D	E, F & G	Yes	T3C	-20°F / -29°C	40°C	90°C

*Consult factory for optional higher ambient models.

DIMENSIONS



Nominal Length	Dimensions Inches / Centimeters		Globes	Carton L X W X D Inches	Nominal Weight - Lbs / Kg			
	A	B			No. Globes			
					1	2	3	4
2 Foot	18 1/2 - 22 1/2 / 47-57 3/20	30 / 76 1/8	1, 2 & 3	34 5/8 X 13 3/8 X 10 3/8	26 / 11.8	32 / 14.5	43 / 19.5	66 / 29.9
			4	Consult Factory				
4 Foot	18 1/2 - 46 / 47-116 21/25	54 / 137 4/25	1 & 2	58 3/4 X 12 3/4 X 10	32 / 14.5	40 / 18.1	52 / 23.6	83 / 37.6
			3 & 4	55 11/16 X 17 3/4 X 10 9/16				

FACTORY SEALED FIELD REPLACEABLE GLOBE ASSEMBLY

Commander Globe Replacement Instructions

Field replacement of the Commander globe assembly is easy, but should be done by a qualified person only. Remember to use caution when handling broken parts and glass.



1. Make sure that the power is off prior to any servicing.



2. Remove the end caps and cut the wire connections.



3. While supporting the globe end casting, loosen and remove the 4 bolts from each end.



4. Replace with a new globe assembly in the reverse order. Feed the wires back into the globe ends & bolt in place.



5. Rewire as per the diagram provided with the replacement globe. Check for proper lamp installation and replace end caps.



6. Reapply power and inspect for proper operation.

XPF

XPFMax Performer/al



FEATURES

- High output luminaire, up to 40,000 raw lumens.
- Available with two T5/T5HO lamps in each globe assembly.
- Fluorescent system provides energy savings up to 50% when compared to HID.
- Multi voltage electronic ballast resistant to brownouts or voltage and frequency fluctuations.
- Lowest temperature rating available, T6.
- Provided with 4100° K, low mercury TPLC compliant lamps.
- Impact resistant borosilicate glass tubes.
- Adjustable mounting brackets allow a 110° range of aiming positions.
- Integral safety cable mounting points.
- Spring loaded lamp holders for maximum vibration resistance.
- Low profile design affords maximum mounting versatility.
- Optional, self contained emergency battery backup ballasts.
- UL listed for paint spray booth applications.
- Optional long life T5 lamps available upon request (consult factory).

APPLICATIONS

- Class I, II & III Division 1 explosive atmospheres
- High, mid & low bay
- Paint booths
- Paint & formulation facilities
- Aircraft fueling & maintenance areas
- Oil and gas exploration and production
- Fuel dispensing facilities
- Marine and watertight requirements
- Petrochemical facilities
- Dusttight requirements

APPROVALS

- Class I Division 1 Groups C & D
- Class I Division 2 Groups A, B, C & D
- Class I Zone 1 - Groups IIA & IIB
- Class II Divisions 1 & 2 - Groups E, F & G
- Class III
- Type 3R Enclosure
- Conforms to IP66
- Marine Outside Type Saltwater
- Paint Spray Booth Approved

STANDARDS

- UL 844 - Hazardous Locations
- UL 1598A - Luminaires for Marine Vessels
- UL 1203 - Electrical Equipment for Hazardous Locations
- CSA -Class 3428 83
- CSA -Class 3428 03

TECHNICAL SPECIFICATIONS

HOUSING

Cast copper free aluminum.

HARDWARE

Stainless steel.

REFLECTOR

Type 6065 aluminum with an electrostatically applied white polyester powder coat finish. Minimum 90% reflectance.

GLOBE ASSEMBLY

High impact resistant tempered borosilicate glass.

LAMP HOLDERS

Spring loaded for T5, T5HO, T8 & T12 lamp types. Engineered plastics, no urea materials.

ENTRIES

Three ½" NPT outlets, two plugged.

MOUNTING

Two adjustable aluminum surface mount brackets. Optional pendant bracket mount available.

GUARD

Optional, stainless steel.

LAMP TYPES

See ORDERING REFERENCES. Lamps provided.

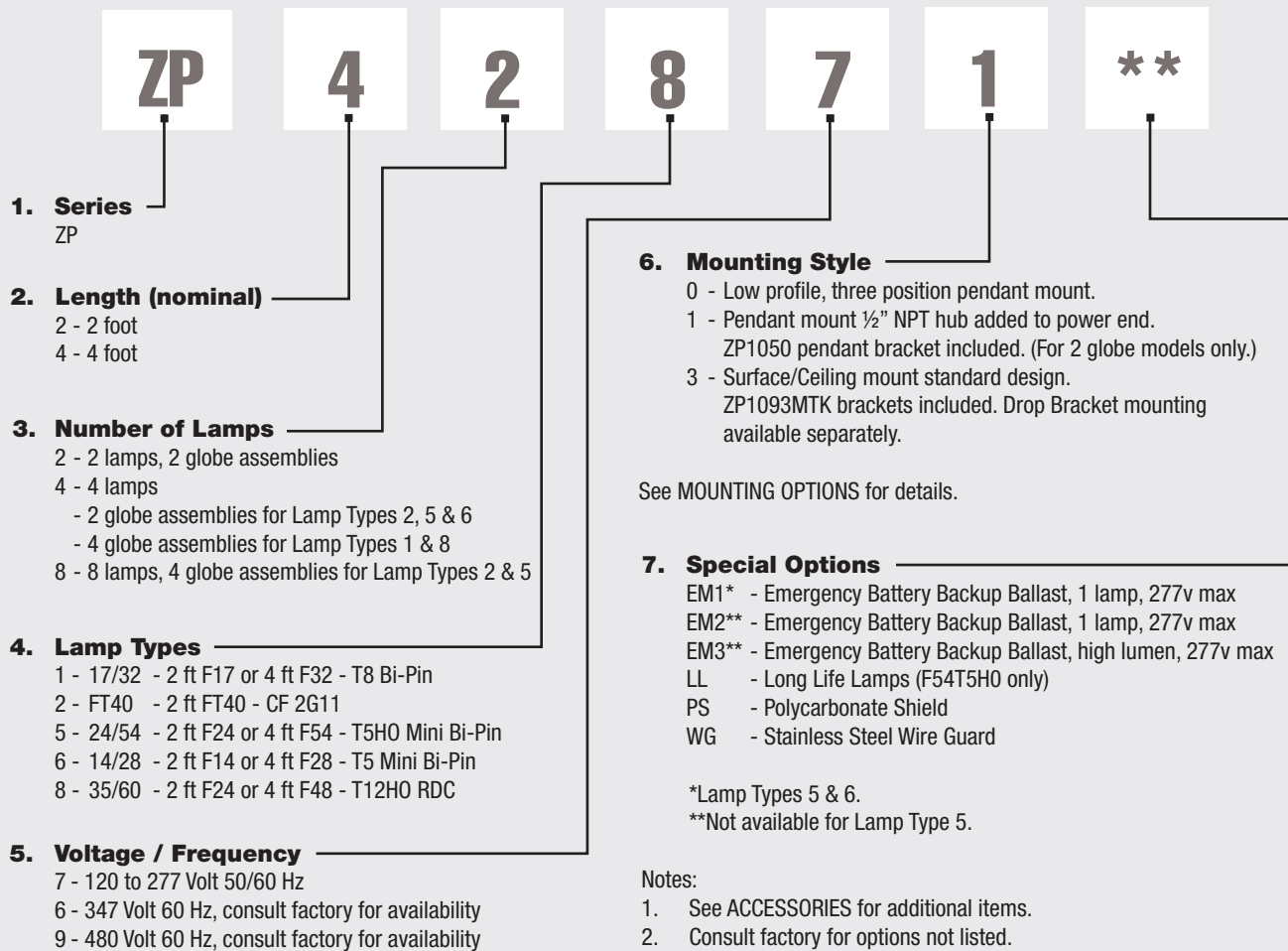
BALLAST

120 to 277 volt 50/60 Hz electronic, optional 347v and 480v.

EMERGENCY BATTERY BACKUP BALLAST

Optional, self contained 90 minute minimum for all lamp types. 120 minutes minimum for F32T8 one lamp. Starting temperature 32°F/0°C.

ORDERING REFERENCES



SPARE PARTS

Part No.	Description
FX5350	BALLAST 120-277V 60HZ, 2 x 14, F14T5
FX5350	BALLAST 120-277V 60HZ, 2 x 28, F28T5
FX5355	BALLAST 120-277V 60HZ, 2 x 24, F24T5HO
FX5337	BALLAST 120-277V 60HZ, 2 x 54, F54T5HO
FX5340	BALLAST 120-277V 60HZ, 2 x 17, F17T8
FX5340	BALLAST 120-277V 60HZ, 2 x 32, F32T8
FX5334	BALLAST 120-277V 60HZ, 2 x 35, F24T12HO
FX5334	BALLAST 120-277V 60HZ, 2 x 60, F48T12HO
FX5135U	EMERGENCY BATTERY BACKUP BALLAST, EM2, CF, T8, T12HO 120-277v
FX5195U	EMERGENCY BATTERY BACKUP BALLAST, EM3, T5 & T5HO 120-277v
FX5346HDU	EMERGENCY BATTERY BACKUP BALLAST, EM1, T5 & T5HO 120-277v
FX3573	LAMP, 14w, F14T5
FX3574	LAMP, 28w, F28T5
FX3568	LAMP, 24w, F24T5HO
FX3567	LAMP, 54w, F54T5HO
FX3577	LAMP, 54w, Long Life F54T5HO
FX3528	LAMP, 17w, F17T8
FX3527	LAMP, 32w, F32T8
FX3507	LAMP, 35w, F24T12HO
FX3505	LAMP, 60w, F48T12HO
004-1020	GASKET, ballast box
004-4300	REFLECTOR, left or right side, 4 ft models
004-2300	REFLECTOR, left or right side, 2 ft models
004-1030	GASKET, re-lamp end
104-1053-2	BRACKETS, (2 ea) re-lamp end
104-1053	BRACKET, blind end
104-1050	BRACKET, pendant mounting, blind end
758-5402	LAMP HOLDER, HO, spring loaded with 20" leads
754-5422	LAMP HOLDER, RS, spring loaded with 20" leads
758-5406	LAMP HOLDER, HO, spring loaded with 72" leads
754-5426	LAMP HOLDER, RS, spring loaded with 72" leads
754-0005	LAMP HOLDER, T5HO fixed & spring set
004-3000	CLIP ASSEMBLY, to secure wire-way, all models
36053	TUBE, glass, 4 ft models
12197	TUBE, glass, 2 ft models

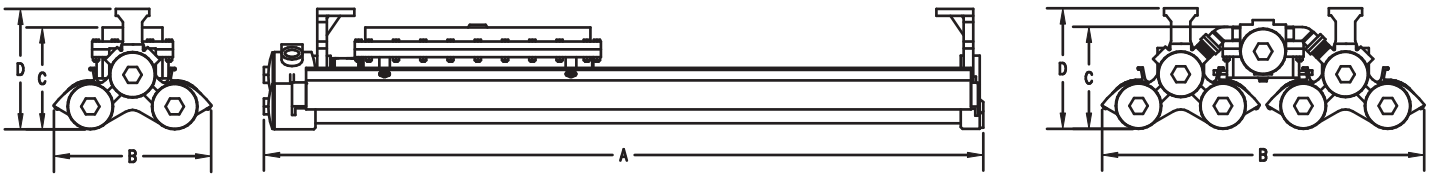
XPFMax Performer/al

TEMPERATURE CODES & APPROVALS

Lamp Wattage	Ballast/Socket Type	ANSI Lamp Code	Class I T Code	Class I Division 1	Class I Division 2	Class II Divisions 1 & 2	Class III	Class II & III T Code	Starting Temp	Maximum Ambient*	Supply Wire
17	T8 Bi-Pin G13	F17-T8	T6	C & D	A,B,C & D	E, F & G	Yes	T3C	0°F / -18°C	40°C	90°C
32	T8 Bi-Pin G13	F32-T8	T6	C & D	A,B,C & D	E, F & G	Yes	T3C	-20°F / -29°C	40°C	90°C
40	FT40 2G11	FT40-CF	T6	C & D	A,B,C & D	E, F & G	Yes	T3C	0°F / -18°C	40°C	90°C
35/60	T12HO RDC R17d	F24/F48-T12HO	T6	C & D	A,B,C & D	E, F & G	Yes	T3C	-20°F / -29°C	40°C	90°C
14/28	T5 Mini Bi-Pin G5	F14/F28-T5	T6	C & D	A,B,C & D	E, F & G	Yes	T3C	0°F / -18°C	40°C	90°C
24/54	T5HO Mini Bi-Pin G5	F24/F54-T5HO	T6	C & D	A,B,C & D	E, F & G	Yes	T3C	-20°F / -29°C	40°C	90°C

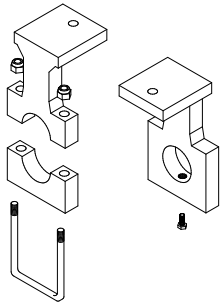
*Consult factory for optional higher ambient models.

DIMENSIONS

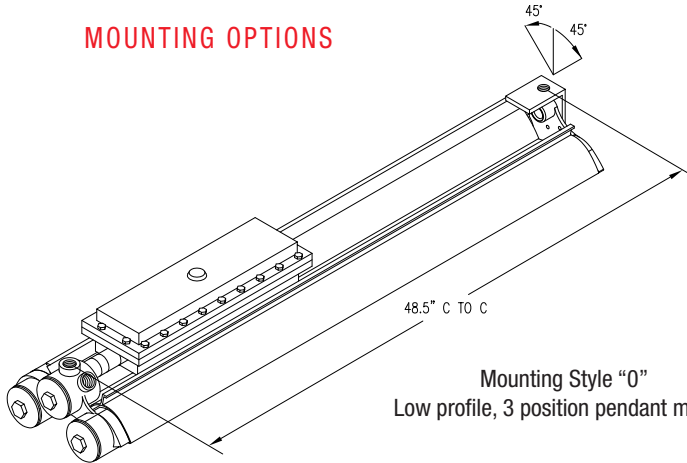


Nominal Length	Dimensions in Inches / Centimeters				Carton L X W X D inches	Nominal Weight	
	A	B	C	D		Lbs	Kg
2 Foot, 2 Tube	27.5 / 69.9	11.3 / 28.6	7.3 / 18.6	8.5 / 21.6	34 ⁵ / ₈ X 13 ³ / ₈ X 10 ³ / ₈	52.0	23.6
4 Foot, 2 Tube	51.5 / 130.8	11.3 / 28.6	7.3 / 18.6	8.5 / 21.6	58 ³ / ₄ X 12 ³ / ₄ X 10	61.5	27.9
4 Foot, 4 Tube	51.5 / 130.8	23.5 / 59.7	7.3 / 18.6	9.5 / 24.1	55 ¹¹ / ₁₆ X 17 ³ / ₄ X 10 ⁹ / ₁₆	119.0	54.0

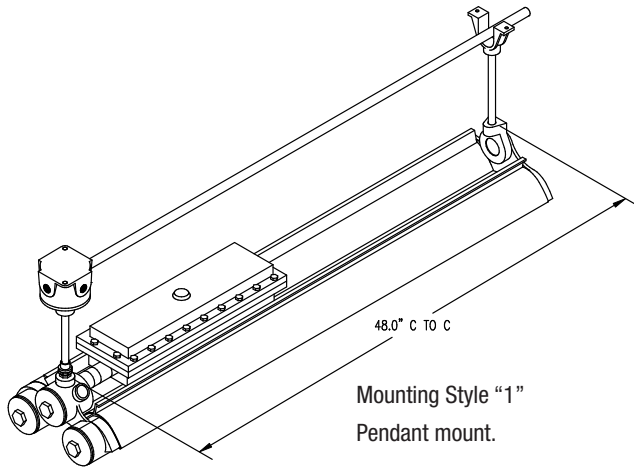
MOUNTING OPTIONS



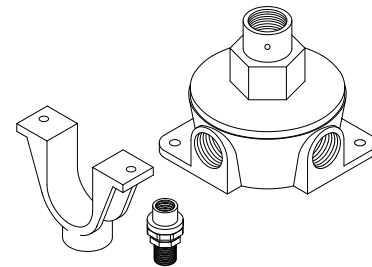
ZP1093MTK Surface/Ceiling mount kit.
 2 brackets. (Included in mounting style "3")



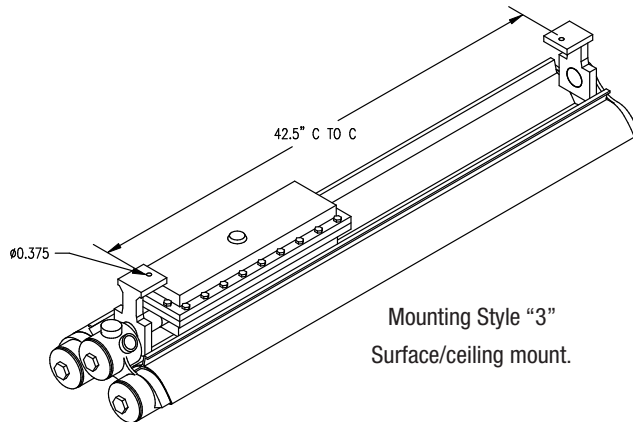
Mounting Style "0"
 Low profile, 3 position pendant mount.



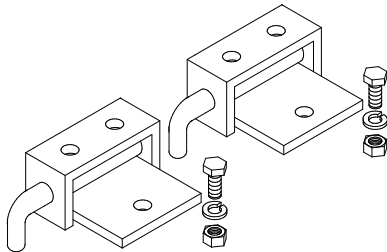
Mounting Style "1"
 Pendant mount.



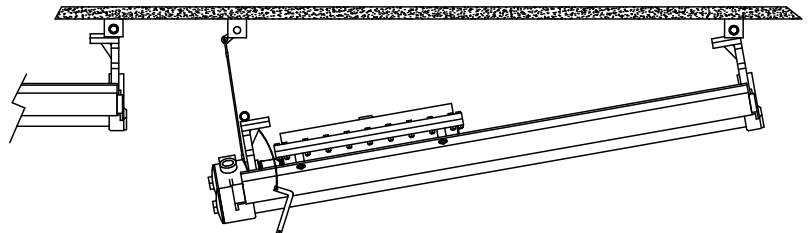
ZP1095MTK Pendant mount kit.
 1 - 1/2" union, saddle strap, Class I, Div.1 box & cover
 with 1/2" NPT hubs. (For use with mounting style "1")



Mounting Style "3"
 Surface/ceiling mount.

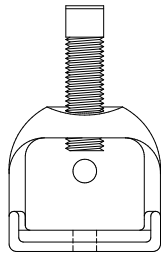
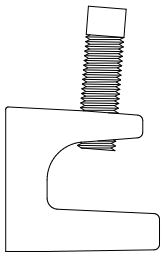


ZP1099MTK
 Drop bracket mounting kit.
 2 drop brackets & support cable. 2 kits required for 4 lamp
 model. (For use with mounting style "3" only.)



XPFMax Performer/al

ACCESSORIES



1.1250"
Jaw opening

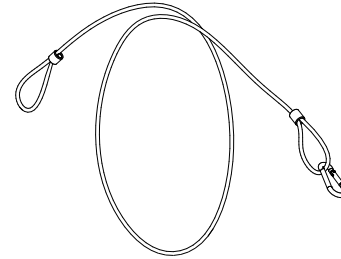
0.3125"
Mounting holes

1/2" Set Screw

BEAM CLAMP KITS

BC2K

2 Beam clamp kit.
 For use with Ceiling/Surface mount "3".
 (2 kits required for 4 tube model).



SC30H

48" Safety Cable.
 Stainless steel with snap hook.

ZP-BCKT

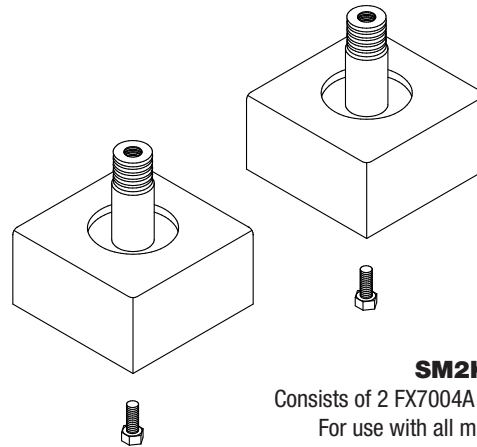
Includes BC2K and SC30H

ZP-SMKT

Includes BC2K, SC30H and SM2K

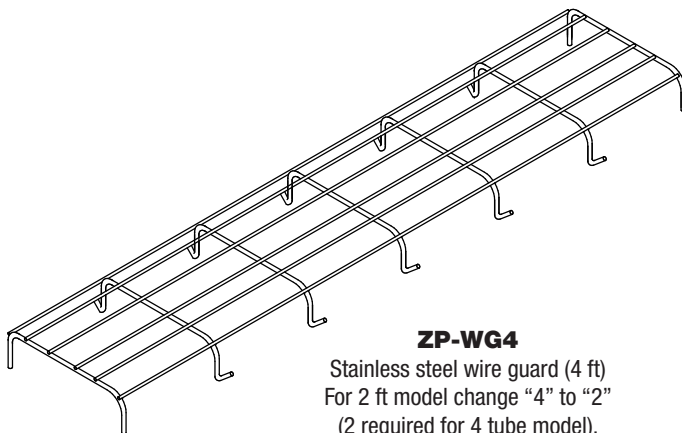
ZP-DPKT

Includes BC2K, SC30H and ZP1099MTK.



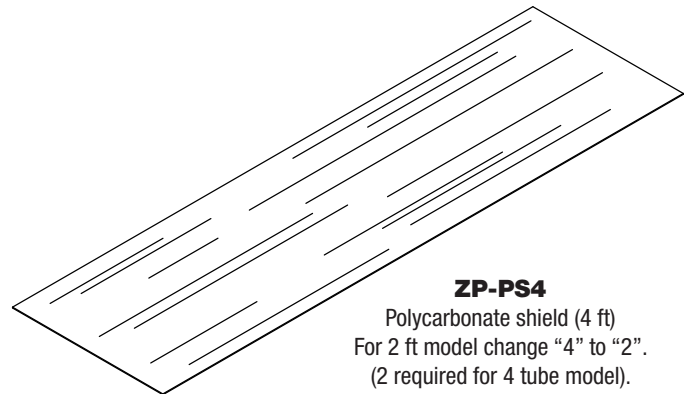
SM2K

Consists of 2 FX7004A Shock mount kit.
 For use with all mounting kits.



ZP-WG4

Stainless steel wire guard (4 ft)
 For 2 ft model change "4" to "2"
 (2 required for 4 tube model).



ZP-PS4

Polycarbonate shield (4 ft)
 For 2 ft model change "4" to "2".
 (2 required for 4 tube model).

NOTES

Haz

HazCor Optima 1100/al



FEATURES

- Tool less entry via four stainless steel positive locking latches.
- One-piece high temperature silicone gaskets provide a watertight seal.
- Ceiling, pendant, stanchion or wall mount types.
- Field replaceable globe and gaskets.
- Shallow dome reflector available.

APPLICATIONS

- Low bay
- Hazardous locations
- Marine and watertight requirements
- Oil and gas exploration and production
- Petrochemical facilities
- Waste water treatment plants
- Pulp and paper production
- Pharmaceutical & additives formulation & processing
- Corrosive environments

APPROVALS

- Class I Division 2 Groups A, B, C & D
- Class I Zone 2 Groups IIA, IIB, IIB + H2 & IIC
- Type 4X
- Conforms to IP66
- Marine Outside Type Saltwater
- ABS

STANDARDS

- UL 844 - Hazardous Locations
- UL 1598A - Luminaires for Marine Vessels
- CSA - C22.2 No. 137-M1981

TECHNICAL SPECIFICATIONS

HOUSING AND MOUNTS

Copper free aluminum with an electrostatically applied white polyester powder coat finish.

GLOBE RETAINING RING

Stainless steel.

LATCHES

Stainless steel, over the center cam.

GLOBE

Clear polycarbonate or Type V distribution, prismatic polycarbonate.

REFLECTORS

Optional shallow dome acrylonitrile butadiene styrene (ABS), gloss white.

MOUNTINGS

Ceiling, pendant, stanchion and wall.

ENTRIES

3/4" or 1" NPT outlets, stanchion 1/4" or 1/2".

GASKETS

Silicone.

BALLAST

120/208/240/277v 60Hz multi-tap ballast or 480v 60Hz. 50Hz ballasts optional.

LAMP TYPE

Luminaires are supplied without lamps.

Lamp Type/ Mogul Base	Wattage	ANSI Code	T-Code	Ambient Temp	Supply Wire Temp
HPS	50	S68	T2D/T2C	40/55°C	65/75°C
HPS	70	S62	T2D/T2C	40/55°C	65/75°C
HPS	100	S54	T2D/T2C	40/55°C	65/75°C
MH	100	M90	T2B	40°C	105°C

*Not available in the U.S.



CHS Controls AB
Tel +46 42 38 61 00, Fax +46 42 38 61 29
chs@chscontrols.se www.chscontrols.se

ORDERING REFERENCES



1. Lamp Type

LXA - High Pressure Sodium
 MHA - Metal Halide

2. Mounting Type & Outlets

B2 - 1" Wall Mount 2 Way
 B3 - 3/4" Wall Mount 2 Way
 B4 - 3/4" Wall Mount 4 Way
 B5 - 1" Wall Mount 4 Way
 C2 - 1" Ceiling Mount 2 Way
 C3 - 3/4" Ceiling Mount 2 Way
 C4 - 3/4" Ceiling Mount 4 Way
 C5 - 1" Ceiling Mount 4 Way
 P1 - 1" Pendant Mount
 P3 - 3/4" Pendant Mount
 S - 1 1/4" Stanchion Mount
 S1 - 1 1/2" Stanchion Mount

3. Globes

R - Polycarbonate Refractor Globe
 X - Polycarbonate Clear Globe

4. Wattage

50 - 50w (LXA)
 70 - 70w (LXA)
 10 - 100w

5. Voltage

-MT - 120/208/240/277v 60Hz Multi-tap
 -48 - 480v 60Hz

Note: For 50Hz ballast consult factory.

6. Special Options

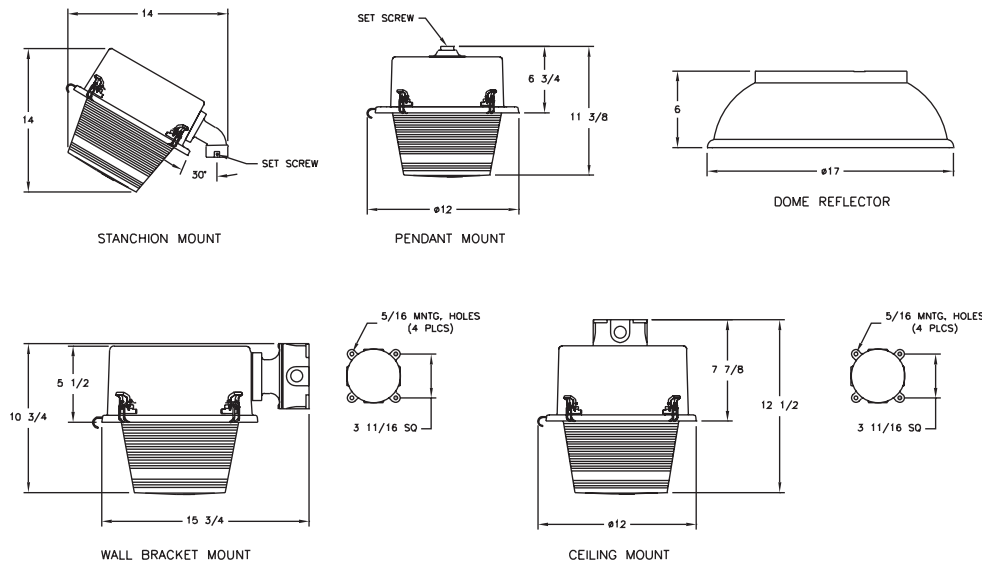
IR* - Instant Restrike
 F** - Fused Ballast
 L - Shallow Dome Reflector

*High Pressure Sodium only
 **Not for marine application

SPARE PARTS

Part No.	Description	Part No.	Description
INX7050P1A	MOUNTING, Pendant 1"	INX5116	BALLAST, High Pressure Sodium, 70w
INX7050P3A	MOUNTING, Pendant 3/4"	INX5113	BALLAST, High Pressure Sodium, 100w
INX7051C2A	MOUNTING, Ceiling 1" 2 Way	INX5135	BALLAST, Metal Halide, 70w
INX7051C3A	MOUNTING, Ceiling 3/4" 2 Way	INX5133	BALLAST, Metal Halide, 100w
INX7051C4A	MOUNTING, Ceiling 3/4" 4 Way	INX3687	LAMP, High Pressure Sodium, 50w
INX7051C5A	MOUNTING, Ceiling 1" 4 Way	INX3662	LAMP, High Pressure Sodium, 70w
INX7055SA	MOUNTING, Stanchion 1 1/4"	INX3535	LAMP, High Pressure Sodium, 100w
INX7055S1A	MOUNTING, Stanchion 1 1/2"	INX3683	LAMP, Metal halide, 70w
INX7056B2A	MOUNTING, Wall 1" 2 Way	INX3682	LAMP, Metal Halide, 100w
INX7056B3A	MOUNTING, Wall 3/4" 2 Way	INX4100	LAMP HOLDER
INX7056B4A	MOUNTING, Wall 3/4" 4 Way	INX4567	REFLECTOR, Shallow Dome
INX7056B5A	MOUNTING, Wall 1" 4 Way	INX2169	GLOBE, Polycarbonate Refractor Globe
INX5118	BALLAST, High Pressure Sodium, 50w	INX2181	GLOBE, Polycarbonate Clear Globe

DIMENSIONS



Haz

HazCor Optima 1110/a1



Removable Ballast Tray

FEATURES

- Maintenance friendly removable ballast tray.
- Tool less entry via four stainless steel over the center cam latches.
- Tool less lamp replacement.
- One-piece high temperature silicone gaskets provide a watertight seal.
- Ceiling, pendant, stanchion or wall mount types.
- Field replaceable globe and gaskets.
- Choice of angled or shallow dome reflectors.

APPLICATIONS

- Mid & low bay
- Hazardous locations
- Marine and watertight requirements
- Oil and gas exploration and production
- Petrochemical facilities
- Waste water treatment plants
- Pulp and paper production
- Pharmaceutical & additives formulation & processing
- Corrosive environments

APPROVALS

- Class I Division 2 Groups A, B, C & D
- Class I Zone 2 Groups IIA, IIB, IIB + H2 & IIC
- Type 4X
- Conforms to IP66
- Marine Outside Type Saltwater
- ABS

STANDARDS

- UL 844 - Hazardous Locations
- UL 1598A - Luminaires for Marine Vessels
- CSA - C22.2 No. 137-M1981

TECHNICAL SPECIFICATIONS

HOUSING AND MOUNTS

Copper free aluminum with an electrostatically applied white polyester powder coat finish.

GLOBE RETAINING RING

Stainless steel.

LATCHES

Stainless steel, over the center cam.

GLOBE

Internally fluted glass. Clear globe optional.

REFLECTORS

Optional 30° angled or shallow dome acrylonitrile butadiene styrene (ABS), gloss white.

MOUNTINGS

Ceiling, pendant, stanchion and wall.

ENTRIES

3/4" or 1" NPT outlets, stanchion 1/4" or 1/2".

GASKETS

Silicone.

GUARD

Optional stainless steel guard.

BALLAST

120/208/240/277v 60Hz multi-tap ballast or 480v 60Hz. 50Hz ballasts optional.

LAMP TYPE

Luminaires are supplied without lamps.

Lamp Type/ Base	Wattage	ANSI Code	T-Code	Ambient Temp	Supply Wire Temp
HPS (MED)	50	S68	T1	25°C	90°C
HPS (MED)	70	S62	T1	25°C	90°C
HPS (MED)	100	S54	T1	25°C	90°C
HPS (MED)	150	S55	T1	25°C	90°C
HPS (MOG)	50	S68	T3	40°C	90°C
HPS (MOG)	70	S62	T3	40°C	90°C
HPS (MOG)	100	S54	T2B	40°C	90°C
HPS (MOG)	150	S55	T2B	40°C	90°C
MH (MED)	70	M98	T1	25°C	110°C
MH (MED)	100	M90	T1	25°C	110°C
MH (MED)	175*	M57	T1	25°C	110°C
MH (MOG)	70	M98	T2A	25°C	110°C
MH (MOG)	100	M90	T2A	25°C	110°C
MH (MOG)	175*	M57	T2A	25°C	110°C
PSMH (MOG)	150	M102	T2A	25°C	110°C

*Not available in the U.S.

ORDERING REFERENCES

1. Lamp Type
LXA - High Pressure Sodium
MHA - Metal Halide
PSA - Pulse Start Metal Halide

2. Mounting Type & Outlets
B2A - 1" Wall Mount 2 Way
B3A - 3/4" Wall Mount 2 Way
B4A - 3/4" Wall Mount 4 Way
B5A - 1" Wall Mount 4 Way
C2A - 1" Ceiling Mount 2 Way
C3A - 3/4" Ceiling Mount 2 Way
C4A - 3/4" Ceiling Mount 4 Way
C5A - 1" Ceiling Mount 4 Way
P1A - 1" Pendant Mount
P3A - 3/4" Pendant Mount
SA - 1 1/4" Stanchion Mount
S1A - 1 1/2" Stanchion Mount

3. Wattage
50 - 50w (LX)
70 - 70w (LX, MH)
10 - 100w (LX, MH)
15 - 150w (LX, PS)
17 - 175w (MH*)

*Not available in the U.S.

4. Lamp Holders
Blank - Medium Base
H - Mogul Base

5. Guards
Blank - No Guard
G - Guard

6. Voltage
-MT - 120/208/240/277v 60Hz Multi-tap
-486 - 480v 60Hz

Note: For 50Hz ballasts contact factory.

7. Special Options
IR* - Instant Restrike
F** - Fused Ballast
N - 30° Angled Reflector
L - Shallow Dome Reflector
CG - Clear Globe

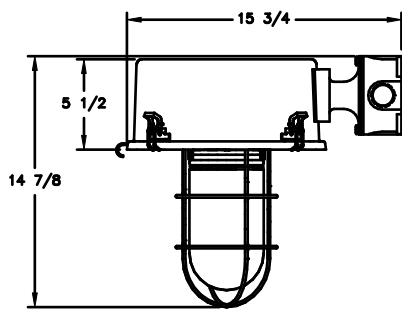
*High Pressure Sodium only.
**Not for marine applications.

SPARE PARTS

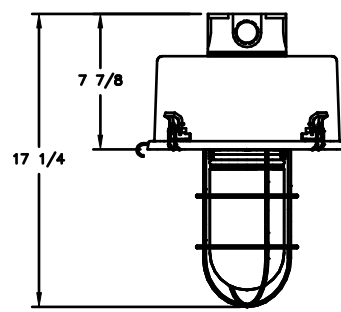
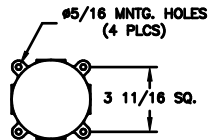
Part No.	Description
INX5118	MULTI TAP BALLAST, High Pressure Sodium, 50w
INX5116	MULTI TAP BALLAST, High Pressure Sodium, 70w
INX5113	MULTI TAP BALLAST, High Pressure Sodium, 100w
INX5110	MULTI TAP BALLAST, High Pressure Sodium, 150w
INX5135	MULTI TAP BALLAST, Metal Halide, 70w
INX5133	MULTI TAP BALLAST, Metal Halide, 100w
INX5130	MULTI TAP BALLAST, Metal Halide, 175w
INX5263	MULTI TAP BALLAST, Pulse Start Metal Halide, 150w
INX3653	LAMP MEDIUM BASE, High Pressure Sodium, 50w
INX3621	LAMP MEDIUM BASE, High Pressure Sodium, 70w
INX3632	LAMP MEDIUM BASE, High Pressure Sodium, 100w
INX3593	LAMP MEDIUM BASE, High Pressure Sodium, 150w
INX3647	LAMP MEDIUM BASE, Metal Halide, 70w
INX3659	LAMP MEDIUM BASE, Metal Halide, 100w
INX3620	LAMP MEDIUM BASE, Metal Halide, 175w
INX3743	LAMP MEDIUM BASE, Pulse Start Metal Halide, 150w
INX3687	LAMP MOGUL BASE, High Pressure Sodium, 50w
INX3662	LAMP MOGUL BASE, High Pressure Sodium, 70w
INX3535	LAMP MOGUL BASE, High Pressure Sodium, 100w
INX3651	LAMP MOGUL BASE, High Pressure Sodium, 150w
INX3683	LAMP MOGUL BASE, Metal Halide, 70w
INX3682	LAMP MOGUL BASE, Metal Halide, 100w
INX3551	LAMP MOGUL BASE, Metal Halide, 175w
INX3744	LAMP MOGUL BASE, Pulse Start Metal Halide, 150w
INX7050P1A	MOUNTING, Pendant 1"
INX7050P3A	MOUNTING, Pendant 3/4"
INX7051C2A	MOUNTING, Ceiling 1" 2 Way
INX7051C3A	MOUNTING, Ceiling 3/4" 2 Way
INX7051C4A	MOUNTING, Ceiling 3/4" 4 Way
INX7051C5A	MOUNTING, Ceiling 1" 4 Way
INX7055SA	MOUNTING, Stanchion 1/4"
INX7055S1A	MOUNTING, Stanchion 1/2"
INX7056B2A	MOUNTING, Wall 1" 2 Way
INX7056B3A	MOUNTING, Wall 3/4" 2 Way
INX7056B4A	MOUNTING, Wall 3/4" 4 Way
INX7056B5A	MOUNTING, Wall 1" 4 Way
INX4564	REFLECTOR, 30° Angled Reflector
INX4565	REFLECTOR, Shallow Dome Reflector
INX2150	GLOBE, Fluted
INX2008HR	GLOBE, Clear
GKT6090	GASKET, Housing
GKT2013	GASKET, Globe Base
INX4096	LAMP HOLDER, Medium
INX4100	LAMP HOLDER, Mogul
INX1057	GUARD

HazCor Optima 110/al

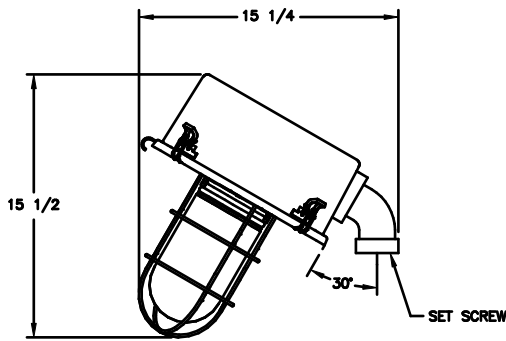
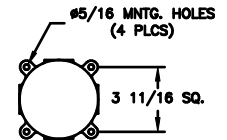
DIMENSIONS



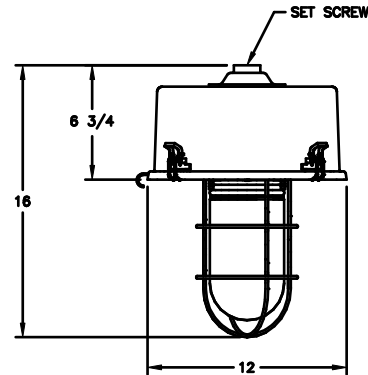
WALL MOUNT



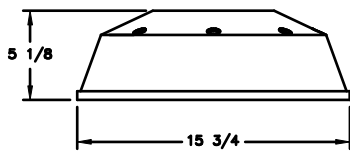
CEILING MOUNT



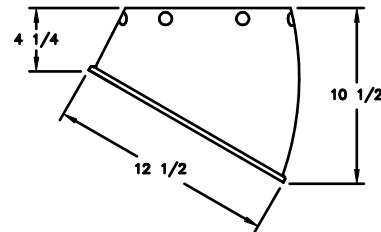
STANCHION MOUNT



PENDANT MOUNT



DOME REFLECTOR



ANGLE REFLECTOR

Dimensions in inches

NOTES

Haz

HazCor Optima 1120/a1



Removable Ballast Tray

FEATURES

- Maintenance friendly removable ballast tray.
- Tool less entry via four stainless steel over the center cam latches.
- Lamp base isolated from ballast compartment for higher ambient suitability.
- Tool less lamp replacement.
- Open bottom stainless steel wire guard allows access to the globe for easy relamping.
- One-piece high temperature silicone gaskets provide a watertight seal.
- Ceiling, pendant, stanchion or wall mount types.
- Field replaceable globe and gaskets.
- Choice of angled or shallow dome reflectors.

APPLICATIONS

- Mid bay
- Hazardous locations
- Marine and watertight requirements
- Oil and gas exploration and production
- Petrochemical facilities
- Waste water treatment plants
- Pulp and paper production
- Pharmaceutical & additives formulation & processing
- Corrosive environments

APPROVALS

- Class I Division 2 Groups A, B, C & D
- Class I Zone 2 Groups IIA, IIB, IIB + H2 & IIC
- Type 4X
- Conforms to IP66
- Marine Outside Type Saltwater
- ABS

STANDARDS

- UL 844 - Hazardous Locations
- UL 1598A - Luminaires for Marine Vessels
- CSA - C22.2 No. 137-M1981

TECHNICAL SPECIFICATIONS

HOUSING AND MOUNTS

Copper free aluminum with an electrostatically applied white polyester powder coat finish.

GLOBE RETAINING RING

Stainless steel.

LATCHES

Stainless steel, over the center cam.

GLOBE

Internally fluted glass.

REFLECTORS

Optional 30° angled or shallow dome acrylonitrile butadiene styrene (ABS), gloss white.

MOUNTINGS

Ceiling, pendant, stanchion and wall.

ENTRIES

3/4" or 1" NPT outlets, stanchion 1/4" or 1/2".

GASKETS

Silicone.

GUARD

Optional stainless steel guard.

BALLAST

120/208/240/277v 60Hz multi-tap ballast or 480v 60Hz. 50Hz ballasts optional.

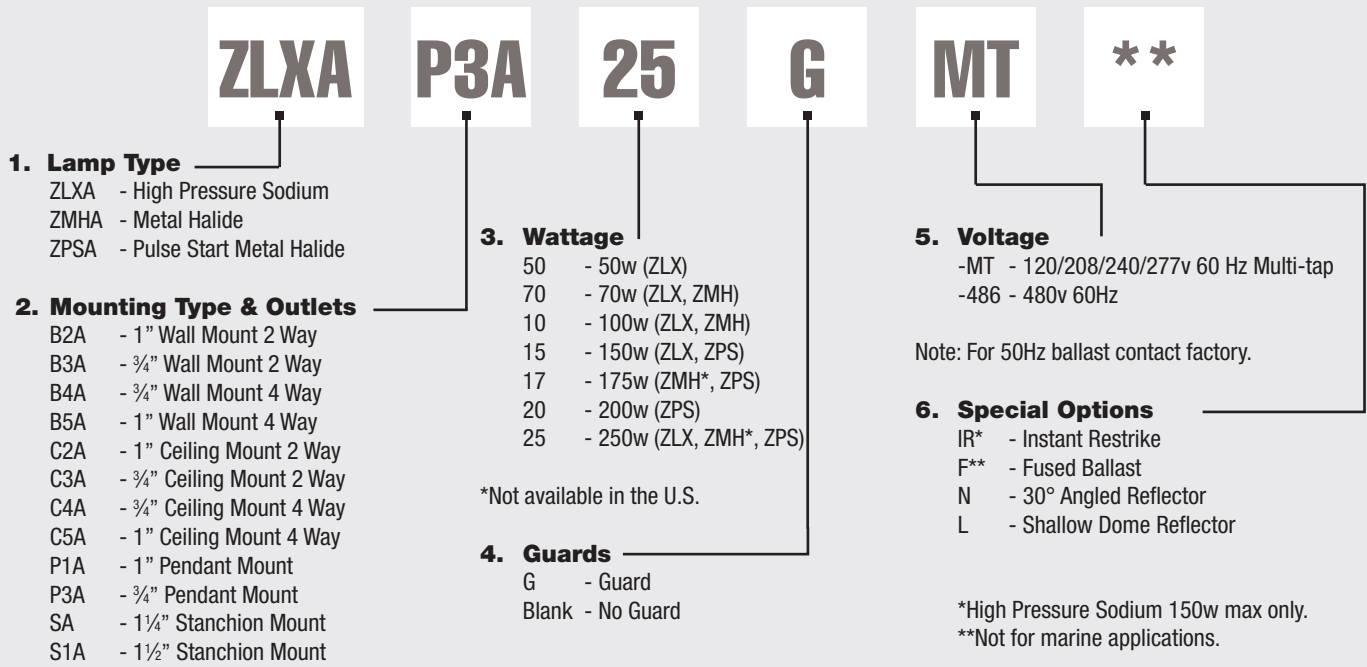
LAMP TYPE

Luminaires are supplied without lamps.

Lamp Type/ Mogel Base	Wattage	ANSI Code	T-Code	Ambient Temp	Supply Wire Temp
HPS	50	S68	T2B	40°C	75°C
HPS	70	S62	T2B	40°C	75°C
HPS	100	S54	T2B	40°C	75°C
HPS	150	S55	T2B	40°C	75°C
HPS	250	S50	T2A	40°C	85°C
MH	70	M98	T2	40°C	75°C
MH	100	M90	T2	40°C	75°C
MH	175*	M57	T2	40°C	75°C
MH	250*	M58	T1	40°C	85°C
PSMH	150	M102	T2	40°C	75°C
PSMH	175	M137	T1	40°C	75°C
PSMH	200	M136	T1	40°C	75°C
PSMH	250	M138	T1	40°C	75°C

*Not available in the U.S

ORDERING REFERENCES

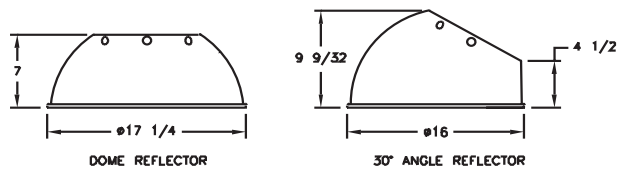
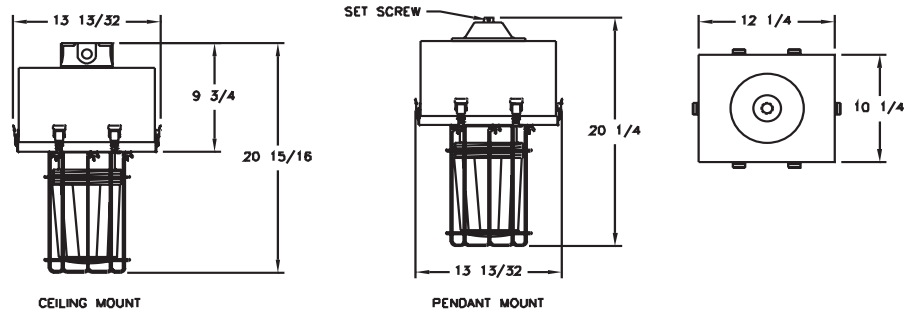
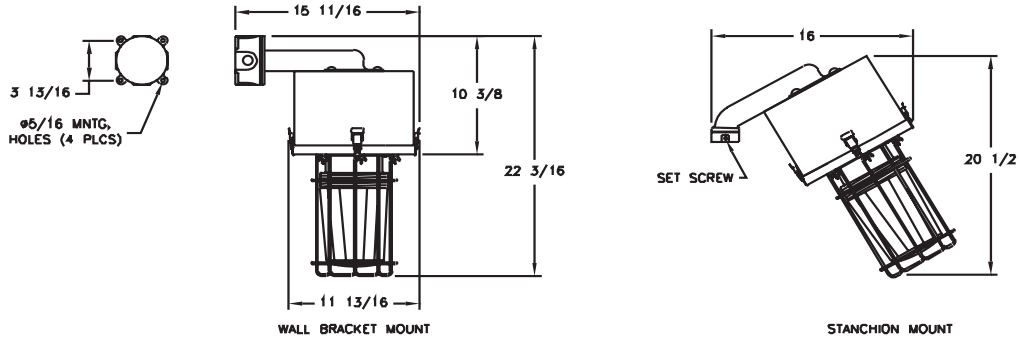


SPARE PARTS

Part No.	Description	Part No.	Description
INX5118	MULTI TAP BALLAST, High Pressure Sodium, 50w	INX3738	LAMP MOGUL BASE, Pulse Start Metal Halide, 200w
INX5116	MULTI TAP BALLAST, High Pressure Sodium, 70w	INX3734	LAMP MOGUL BASE, Pulse Start Metal Halide, 250w
INX5113	MULTI TAP BALLAST, High Pressure Sodium, 100w	INX7050P1A	MOUNTING, Pendant 1"
INX5110	MULTI TAP BALLAST, High Pressure Sodium, 150w	INX7050P3A	MOUNTING, Pendant 3/4"
INX5176	MULTI TAP BALLAST, High Pressure Sodium, 250w	INX7051C2A	MOUNTING, Ceiling 1" 2 Way
INX5135	MULTI TAP BALLAST, Metal Halide, 70w	INX7051C3A	MOUNTING, Ceiling 3/4" 2 Way
INX5133	MULTI TAP BALLAST, Metal Halide, 100w	INX7051C4A	MOUNTING, Ceiling 3/4" 4 Way
INX5022	MULTI TAP BALLAST, Metal Halide, 175w	INX7051C5A	MOUNTING, Ceiling 1" 4 Way
INX5182	MULTI TAP BALLAST, Metal Halide, 250w	INX7053SA	MOUNTING, Stanchion 1 1/4"
INX5263	MULTI TAP BALLAST, Pulse Start Metal Halide, 150w	INX7053S1A	MOUNTING, Stanchion 1 1/2"
INX5244	MULTI TAP BALLAST, Pulse Start Metal Halide, 175w	INX7052B2A	MOUNTING, Wall 1" 2 Way
INX5251	MULTI TAP BALLAST, Pulse Start Metal Halide, 200w	INX7052B3A	MOUNTING, Wall 3/4" 2 Way
INX5245	MULTI TAP BALLAST, Pulse Start Metal Halide, 250w	INX7052B4A	MOUNTING, Wall 3/4" 4 Way
INX3687	LAMP MOGUL BASE, High Pressure Sodium, 50w	INX7052B5A	MOUNTING, Wall 1" 4 Way
INX3662	LAMP MOGUL BASE, High Pressure Sodium, 70w	INX4567	REFLECTOR, 30° Angled
INX3535	LAMP MOGUL BASE, High Pressure Sodium, 100w	INX4568	REFLECTOR, Shallow Dome
INX3651	LAMP MOGUL BASE, High Pressure Sodium, 150w	INX2136	GLOBE, Fluted
INX3546	LAMP MOGUL BASE, High Pressure Sodium, 250w	GKT6089-41	GASKET, Housing
INX3683	LAMP MOGUL BASE, Metal Halide, 70w	GKT3021-1	GASKET, Globe Base
INX3682	LAMP MOGUL BASE, Metal Halide, 100w	INX4004	LAMP HOLDER, HPS, MH
INX3551	LAMP MOGUL BASE, Metal Halide, 175w	INX4100	LAMP HOLDER, PSMH
INX3541	LAMP MOGUL BASE, Metal Halide, 250w	INX1059	LAMP HOLDER, GUARD
INX3744	LAMP MOGUL BASE, Pulse Start Metal Halide, 150w		
INX3732	LAMP MOGUL BASE, Pulse Start Metal Halide, 175w		

HazCor **Optima 1120/a**

DIMENSIONS



Dimensions in inches

NOTES

Haz

HazCor Optima 1130/al



FEATURES

- Low profile mounting with junction box to the side of the luminaire.
- Tool less entry via four stainless steel over the center cam latches.
- One-piece high temperature silicone gaskets provide a watertight seal.
- Ceiling mount type.
- Stainless steel vibration dampening mounting feet.
- Field replaceable globe and gaskets.
- Tool less lamp replacement.



CHS Controls AB
Tel +46 42 38 61 00, Fax +46 42 38 61 29
chs@chscontrols.se www.chscontrols.se

APPLICATIONS

- Low bay
- Hazardous locations
- Marine and watertight requirements
- Cargo hold areas
- Oil and gas exploration and production
- Parking garages
- Corrosive environments

APPROVALS

- Class I Division 2 Groups A, B, C & D
- Class I Zone 2 Groups IIA, IIB, IIB + H2 & IIC
- Type 4X
- Conforms to IP66
- Marine Outside Type Saltwater
- ABS

STANDARDS

- UL 844 – Hazardous Locations
- UL 1598A - Luminaires for Marine Vessels

TECHNICAL SPECIFICATIONS

HOUSING AND JUNCTION BOX

Copper free aluminum with an electrostatically applied white polyester powder coat finish.

MOUNTING FEET

Stainless steel.

GLOBE RETAINING RING

Polycarbonate.

GLOBE

Prismatic polycarbonate, Type V distribution.

LATCHES

Stainless steel.

MOUNTING

Ceiling.

ENTRIES

3/4" NPT through feed.

GASKETS

Silicone.

BALLAST

120/208/240/277v 60Hz multi-tap ballast or 480v 60Hz. 50Hz ballasts optional.

LAMP TYPE

High Pressure Sodium (HPS). Luminaires are supplied without lamps.

ORDERING REFERENCES

PART NUMBER	LAMP TYPE	WATTAGE	ANSI CODE	T-CODE	AMBIENT TEMP	SUPPLY WIRE TEMP
LXACRS7MT	HPS	70	S62	T2D/T2C	40/55°C	65/75°C
LXACRS10MT	HPS	100	S54	T2D/T2C	40/55°C	65/75°C

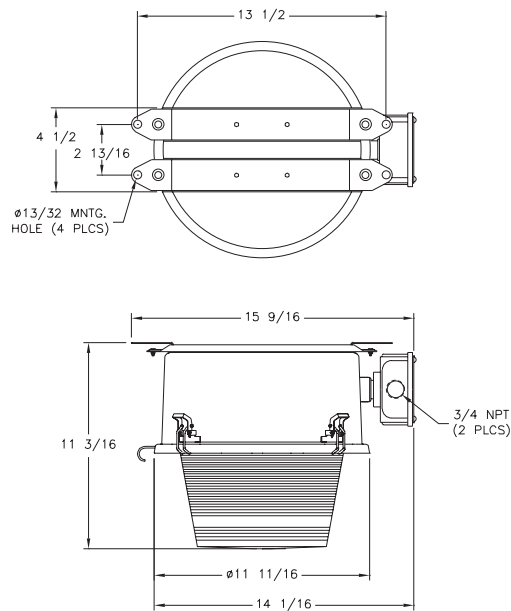
SPECIAL OPTIONS

-486 480V 60Hz

SPARE PARTS

Part No.	Description	Part No.	Description
INX2169	LENS	INX5116	BALLAST, 70W HPS MULTI-TAP
GKT6043-35.5	GASKET	INX5234	BALLAST, 70W HPS 480V 60HZ
INX4099	LAMP HOLDER	INX5014	BALLAST, 100W HPS MULTI-TAP
INX3662	LAMP, 70W HPS	INX5056	BALLAST, 100W HPS 480V 60HZ
INX3535	LAMP, 100W HPS		

DIMENSIONS



Dimensions in inches

Haz

HazFlood Goliath 2100/al



FEATURES

- 70-175w HID.
- Compact design for maximum mounting flexibility.
- Field replaceable, thermal shock resistant tempered glass lens.
- High temperature silicone gasket provides a watertight seal.
- Tool less entry via eight positive locking stainless steel latches.
- Captive lens frame with stainless steel door retainers for easy lamp replacement.
- Optional safety cable attachment points.
- Remote ballast available.
- Tested and approved over 180° aiming range, enabling face up through face down mounting.
- Wide NEMA 7 x 6 beam spread.
- Optional vibration resistant lamp holder.
- Choice of mounting arrangements in surface, pole, right angle and crane boom (via a modified housing).

APPLICATIONS

- Hazardous locations
- Marine and watertight requirements
- Oil and gas exploration and production
- Petrochemical facilities
- Waste water treatment plants
- Pulp and paper production
- Corrosive environments
- Façade security lighting

APPROVALS

- Class I Division 2 Groups A, B, C & D
- Class I Zone 2 Groups IIA, IIB, IIB + H2 & IIC
- Type 4X
- Conforms to IP66
- Marine Outside Type Saltwater
- ABS

STANDARDS

- UL 844 - Hazardous Locations
- UL 1598A - Luminaire for Marine Vessels
- CSA - C22.2 No. 137-M1981

TECHNICAL SPECIFICATIONS

HOUSING

Copper free aluminum with an electrostatically applied white polyester powder coat finish.

WIND RATING

EPA - 2.24 at vertical.

LENS FRAME

Type 316 stainless steel.

MOUNTING BRACKETS

Type 316 stainless steel trunnion mount. Please see SPARE PARTS for additional selections.

REFLECTORS

Hammertone aluminum.

ENTRIES

One ¼" NPT.

LENS

Tempered glass.

BALLAST

Standard: Multi-tap 120/208/240/277v 60 Hz.

Optional: 220v, 347v, or 480v 60Hz, and 220v or 240v 50Hz.

Optional: Remote ballast suitable for use up to 50 feet from luminaire.

GASKET

One piece silicone.

GUARD

Optional, type 316 stainless steel.

VISOR

Optional, top or top and side, copper free aluminum with an electrostatically applied white polyester powder coat finish.

LAMP HOLDER

Mogul base, porcelain.

LAMP TYPES

High Pressure Sodium, Metal Halide* and Pulse Start Metal Halide. Luminaires supplied without lamps.

*Not available in the U.S.

ORDERING REFERENCES

PART NUMBER	LAMP TYPE	WATTAGE	WEIGHT LBS	ANSI LAMP TYPE	T-CODE	AMBIENT TEMP	SUPPLY WIRE TEMP
NHIDLA7IB	High Pressure Sodium	70w	21.0	S62	T2B	40°C	110°C
NHIDLA1IB	High Pressure Sodium	100w	23.0	S54	T2B	40°C	110°C
NHIDLA15IB	High Pressure Sodium	150w	24.0	S55	T2B	40°C	110°C
NHIDHA17IB*	Metal Halide	175w	25.0	M57	T2B	40°C	125°C
NHIDPA15IB	Pulse Start Metal Halide	150w	24.0	M102	T2B	40°C	110°C
NHIDPA17IB	Pulse Start Metal Halide	175w	25.0	M152	T2B	40°C	125°C

*Not available in the U.S.

SPECIAL OPTIONS

- F - Fused Ballast (Not for marine use)
- IR - Instant Restrike (High Pressure Sodium only)
- W* - Dual Safety Cable Attachment Points
- 225 - 220v 50Hz
- 226 - 220v 60Hz
- 245 - 240v 50Hz
- 346 - 347v 60Hz
- 486 - 480v 60Hz

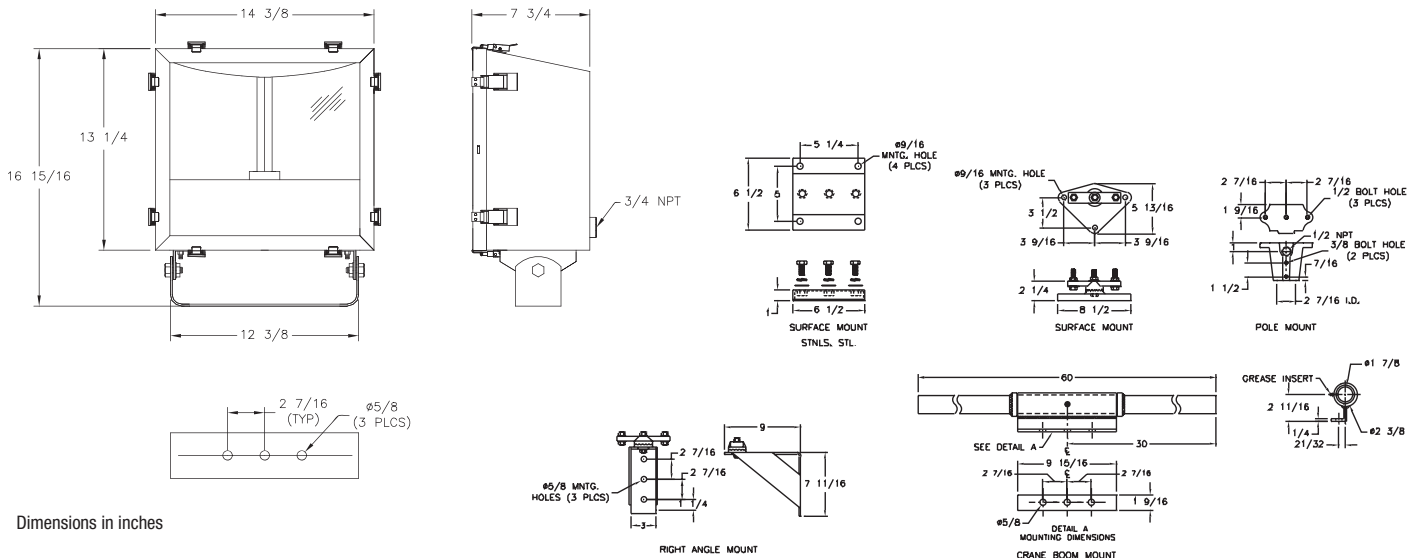
- RB* - Remote Ballast
- SP - Vibration Resistant Lamp Holder
- G* - Stainless Steel Guard
- CB* - Crane Boom Modified Housing (Includes option SP)
- TV* - Top Visor
- SV* - Top and Side Visor

*Cannot be field installed, specify at order placement.

SPARE PARTS

Part No.	Description	Part No.	Description
INX5087	BALLAST, High Pressure Sodium 70w	INX4100	LAMP HOLDER
INX5014	BALLAST, High Pressure Sodium 100w	INX2152	LENS
INX5015	BALLAST, High Pressure Sodium 150w	GKT6089-49	GASKET
INX5022	BALLAST, Metal Halide 175w	INX7007A	MOUNTING, Surface Aluminum
INX5263	BALLAST, Pulse Start Metal Halide 150w	INX7007SS	MOUNTING, Surface Stainless Steel
INX5244	BALLAST, Pulse Start Metal Halide 175w	INX7006A	MOUNTING, Pole Aluminum
INX3662	LAMP, High Pressure Sodium 70w	INX7006SS	MOUNTING, Pole Stainless Steel
INX3535	LAMP, High Pressure Sodium 100w	INX7091	MOUNTING, Pole Stainless Steel (No cable feed thru)
INX3651	LAMP, High Pressure Sodium 150w	INX7058S	MOUNTING, Right Angle
INX3551	LAMP, Metal Halide 175w	INX7001	MOUNTING, Crane Boom (Requires crane boom housing)
INX3744	LAMP, Pulse Start Metal Halide 150w	SC30H	SAFETY CABLE, 48" Stainless Steel, Snap Hook
INX3732	LAMP, Pulse Start Metal Halide 175w		

DIMENSIONS



Haz

HazFlood Goliath 2110/a



FEATURES

- 250-400w HID.
- Field replaceable, thermal shock resistant tempered glass lens.
- High temperature silicone gasket provides a watertight seal.
- Tool less entry via eight positive locking stainless steel latches.
- Captive lens frame with stainless steel door retainers for easy lamp replacement.
- Optional safety cable attachment points.
- Remote ballast available.
- Tested and approved over 180° aiming range, enabling face up through face down mounting.
- Very wide NEMA 7 x 7 beam spread.
- Optional vibration resistant lamp holder.
- Choice of mounting arrangements in surface, pole, right angle and crane boom (via a modified housing).

APPLICATIONS

- Hazardous locations
- Marine and watertight requirements
- Oil and gas exploration and production
- Petrochemical facilities
- Waste water treatment plants
- Pulp and paper production
- Corrosive environments
- Façade security lighting

APPROVALS

- Class I Division 2 Groups A, B, C & D
- Class I Zone 2 Groups IIA, IIB, IIB + H2 & IIC
- Type 4X
- Conforms to IP66
- Marine Outside Type Saltwater
- ABS

STANDARDS

- UL 844 - Hazardous Locations
- UL 1598A - Luminaire for Marine Vessels
- CSA - C22.2 No. 137-M1981

TECHNICAL SPECIFICATIONS

HOUSING

Copper free aluminum with an electrostatically applied white polyester powder coat finish.

WIND RATING

EPA - 3.62 at vertical.

LENS FRAME

Type 316 stainless steel.

MOUNTING BRACKETS

Type 316 stainless steel trunnion mount. Please see SPARE PARTS for additional selections.

REFLECTORS

Hammertone aluminum.

ENTRIES

One 3/4" NPT.

LENS

Tempered glass.

BALLAST

Standard: Multi-tap 120/208/240/277v 60 Hz.

Optional: 220v, 347v, or 480v 60Hz, and 220v or 240v 50Hz.

Optional: Remote ballast suitable for use up to 50 feet from luminaire.

GASKET

One piece silicone.

GUARD

Optional, type 316 stainless steel.

VISOR

Optional, top or top and side, copper free aluminum with an electrostatically applied white polyester powder coat finish.

LAMP HOLDER

Mogul base, porcelain.

LAMP TYPES

High Pressure Sodium, Metal Halide* and Pulse Start Metal Halide. Luminaires supplied without lamps.

*Not available in the U.S.

ORDERING REFERENCES

PART NUMBER	LAMP TYPE	WATTAGE	WEIGHT LBS	ANSI LAMP TYPE	T-CODE	AMBIENT TEMP	SUPPLY WIRE TEMP
NHIDLA25IB	High Pressure Sodium	250w	32.0	S50	T1	25°C	125°C
NHIDLA4IB	High Pressure Sodium	400w	35.0	S51	T1	25°C	125°C
NHIDHA25IB*	Metal Halide	250w	31.0	M58	T1	25°C	125°C
NHIDHA4IB*	Metal Halide	400w	35.0	M59	T1	25°C	125°C
NHIDPA25IB	Pulse Start	250w	32.0	M153	T1	25°C	125°C
NHIDPA4IB	Pulse Start Metal Halide	400w	36.0	M155	T1	25°C	125°C

*Not available in the U.S.

SPECIAL OPTIONS

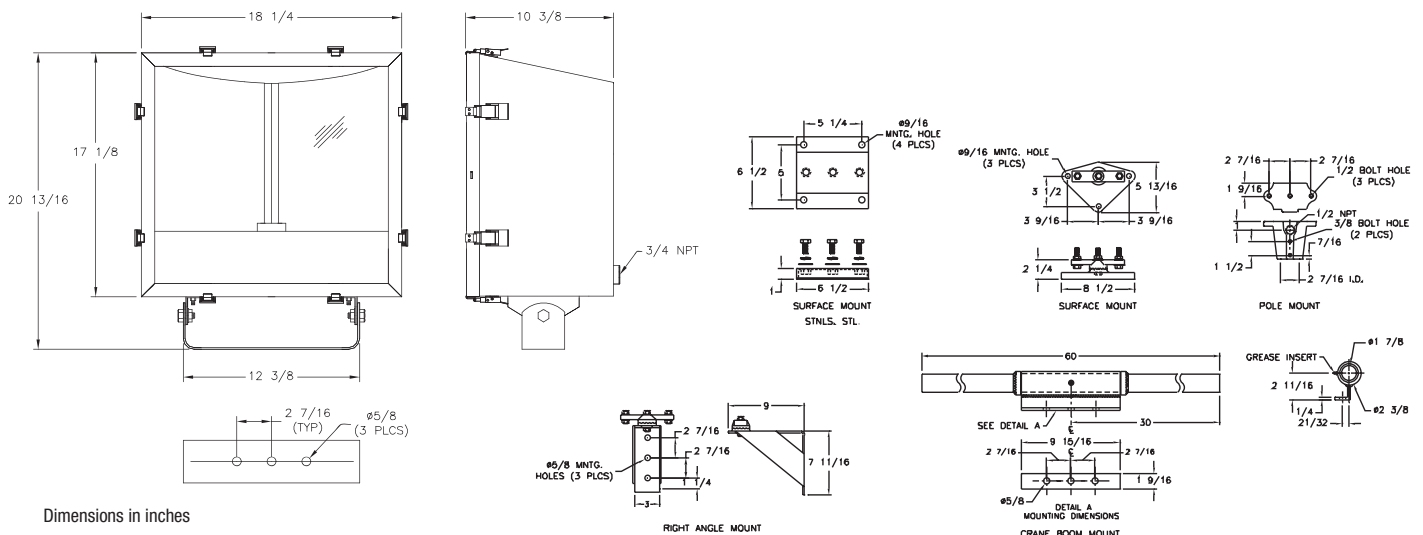
- | | |
|--|--|
| F - Fused Ballast (Not for marine use) | RB* - Remote Ballast |
| W* - Dual Safety Cable Attachment Points | SP - Vibration Resistant Lamp Holder |
| -225 - 220v 50Hz | G* - Stainless Steel Guard |
| -226 - 220v 60Hz | CB* - Crane Boom Modified Housing (Includes option SP) |
| -245 - 240v 50Hz | TV* - Top Visor |
| -346 - 347v 60Hz | SV* - Top and Side Visor |
| -486 - 480v 60Hz | |

*Cannot be field installed, specify at order placement.

SPARE PARTS

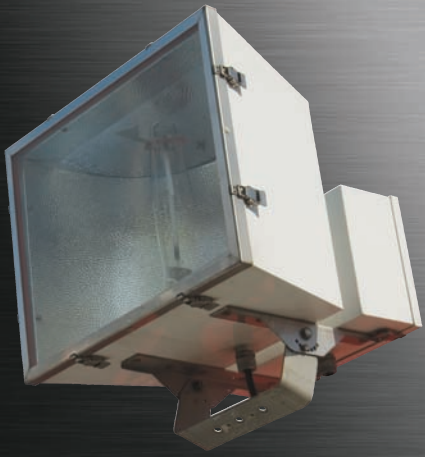
Part No.	Description	Part No.	Description
INX5021	BALLAST, High Pressure Sodium 250w	INX4100	LAMP HOLDER, MH
INX5019	BALLAST, High Pressure Sodium 400w	INX2153	LENS
INX5102	BALLAST, Metal Halide 250w	INX9061	LENS FRAME WITH GUARD
INX5033	BALLAST, Metal Halide 400w	INX1065	GUARD
INX5245	BALLAST, Pulse Start Metal Halide 250w	GKT6089-65	GASKET
INX5246	BALLAST, Pulse Start Metal Halide 400w	INX7007A	MOUNTING, Surface Aluminum
INX3546	LAMP, High Pressure Sodium 250w	INX7007SS	MOUNTING, Surface Stainless Steel
INX3517	LAMP, High Pressure Sodium 400w	INX7006A	MOUNTING, Pole Aluminum
INX3541	LAMP, Metal Halide 250w	INX7006SS	MOUNTING, Pole Stainless Steel
INX3524	LAMP, Metal Halide 400w	INX7091	MOUNTING, Pole Stainless Steel (No cable feed thru)
INX3733	LAMP, Pulse Start Metal Halide 250w	INX7058S	MOUNTING, Surface Aluminum
INX3734	LAMP, Pulse Start Metal Halide 400w	INX7001	MOUNTING Crane Boom, (Requires crane boom housing)
INX4004	LAMP HOLDER, HPS, PSMH	SC30H	SAFETY CABLE, 48" Stainless Steel, Snap Hook

DIMENSIONS



Haz

HazFlood Goliath 2120/a



FEATURES

- 1000w HID.
- Ballast gear housed in separate, attached enclosure. Allows for easy access and cool running operation.
- Field replaceable, thermal shock resistant tempered glass lens.
- High temperature silicone gaskets provide a watertight seal.
- Tool less entry via eight positive locking stainless steel latches.
- Captive lens frame with stainless steel door retainers for easy lamp replacement.
- Optional safety cable attachment points.
- Remote ballast available.
- Tested and approved over 180° aiming range, enabling face up through face down mounting.
- Very wide NEMA 7 x 7 beam spread.
- Optional vibration resistant lamp holder.
- Choice of mounting arrangements in surface, pole and crane boom (via a modified housing).

APPLICATIONS

- Hazardous locations
- Marine and watertight requirements
- Oil and gas exploration and production
- Petrochemical facilities
- Waste water treatment plants
- Pulp and paper production
- Corrosive environments
- Façade security lighting

APPROVALS

- Class I Division 2 Groups A, B, C & D
- Class I Zone 2 Groups IIA, IIB, IIB + H2 & IIC
- Type 4X
- Conforms to IP66
- Marine Outside Type Saltwater
- ABS

STANDARDS

- UL 844 - Hazardous Locations
- UL 1598A - Luminaires for Marine Vessels
- CSA Class 3428 83
- CSA Class 3428 03
- CSA - C22.2 No. 30-M1986
- CSA - C22.2 No. 213-M1987

TECHNICAL SPECIFICATIONS

HOUSING

Copper free aluminum with an electrostatically applied white polyester powder coat finish.

WIND RATING

EPA - 5.39 at vertical.

LENS FRAME

Type 316 stainless steel.

MOUNTING BRACKETS

Type 316 stainless steel trunnion mount. Please see SPARE PARTS for additional selections.

REFLECTORS

Hammertone aluminum.

ENTRIES

One $\frac{3}{4}$ " NPT.

LENS

Tempered glass.

GASKETS

One piece silicone.

GUARD

Optional, type 316 stainless steel.

BALLAST

Standard: Multi-tap 120/208/240/277v 60Hz.

Optional: 220v, 347v, or 480v 60Hz, and 220v or 240v 50Hz.

Optional: Remote ballast suitable for use up to 50 feet from luminaire.

LAMP HOLDER

Mogul base, porcelain.

LAMP TYPES

High Pressure Sodium and Metal Halide. Luminaires supplied without lamps.

ORDERING REFERENCES

PART NUMBER	LAMP TYPE	WATTAGE	WEIGHT LBS	ANSI LAMP TYPE	T-CODE	AMBIENT TEMP	SUPPLY WIRE TEMP
NHIDLA10IB	High Pressure Sodium	1000W	82.0	S52	T1	40°C	75°C
NHIDHA10IB	Metal Halide	1000W	74.0	M47	T1	40°C	75°C

SPECIAL OPTIONS

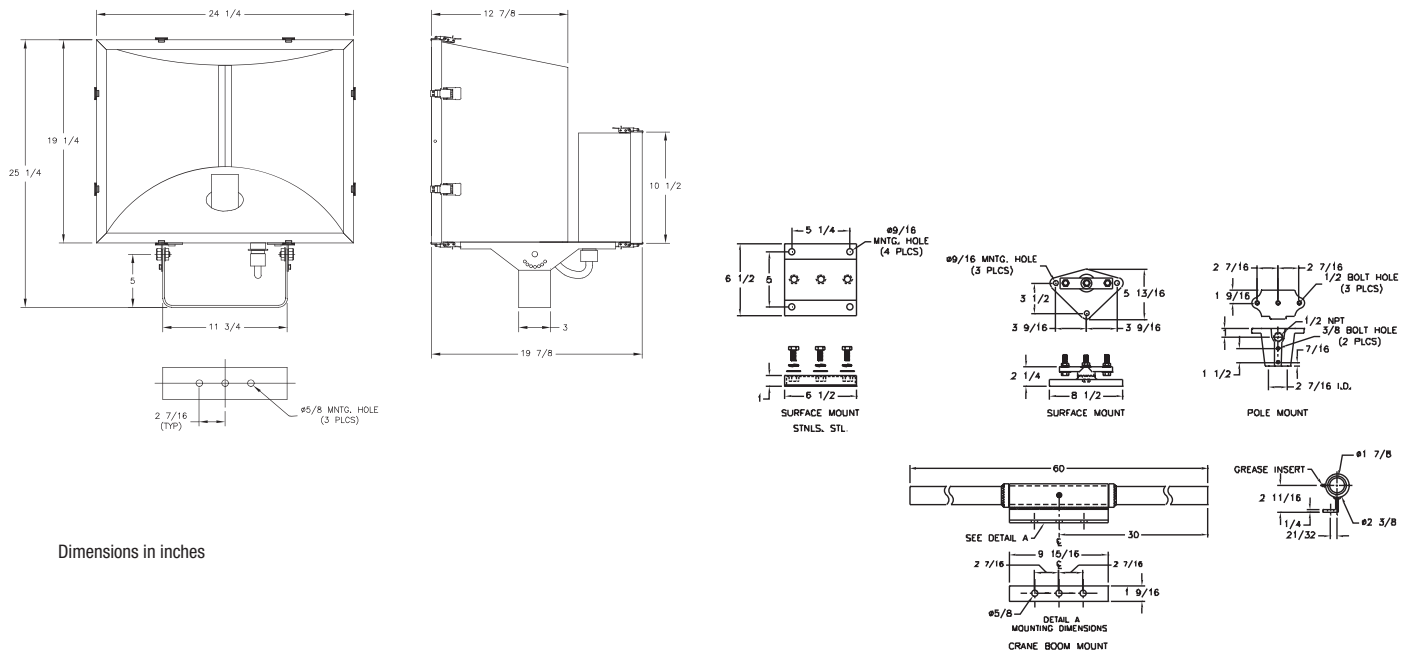
- 225 - 220v 50Hz
- 226 - 220v 60Hz
- 245 - 240v 50Hz
- 346 - 347v 60Hz
- 486 - 480v 60Hz
- G* - Stainless Steel Guard
- W* - Dual Safety Cable Attachment Points
- RB* - Remote Ballast
- SP - Vibration Resistant Lamp Holder
- CB* - Crane Boom Modified Housing (Includes option SP)

*Cannot be field installed, specify at order placement.

SPARE PARTS

Part No.	Description
INX5027	MULTI TAP BALLAST, High Pressure Sodium
INX5031	MULTI TAP BALLAST, Metal Halide
INX5017	480V 60Hz BALLAST, High Pressure Sodium
INX5032	480V 60Hz BALLAST, Metal Halide
INX3530	LAMP, High Pressure Sodium
INX3567	LAMP, Metal Halide
GKT6089-81	GASKET, Lens
GKT6089-49	GASKET, Component Cover
INX2156	LENS
INX4004	LAMP HOLDER
INX7007A-1	MOUNTING, Surface Aluminum
INX7007SS	MOUNTING, Surface Stainless Steel
INX7006SS	MOUNTING, Pole Stainless Steel
INX7006A	MOUNTING, Pole Aluminum
INX7091	MOUNTING, Pole Stainless Steel (No cable feed thru)
INX7001	MOUNTING, Crane Boom (Requires crane boom housing)
SC30H	SAFETY CABLE, 48" Stainless Steel, Snap Hook

DIMENSIONS



Dimensions in inches

Haz

HazFlood Achiever DR/al



FEATURES

- 250 - 400w HID.
- Aluminum die-cast with a polyester bronze finish.
- Captive lens frame with retained hardware for easy lamp replacement.
- Thermal shock resistant tempered glass lens.
- Pivoting trunnion with a pole mount bracket kit available.
- High temperature silicone gasket provides a watertight seal.
- Integral safety cable attachment points.
- Wide NEMA 7 x 6 beam spread.
- Stainless steel safety cable available.
- Captive lens frame with retained hardware for easy lamp replacement.

APPLICATIONS

- Hazardous locations
- Onshore drilling and exploration
- Petrochemical facilities
- Refineries
- Pipeline compressor pipeline & storage
- Surface mining
- Parking lots
- Corrosive environments
- Façade security lighting

APPROVALS

- Class I Division 2 Groups A, B, C & D
- Class I Zone 2 Groups IIA, IIB, IIB+H2 & IIC
- Type 4
- Conforms to IP65
- Suitable for Wet Locations

STANDARDS

- UL 844 - Hazardous Locations
- UL 1598 - Luminaires
- CSA - C22.2 No. 137-M1981

TECHNICAL SPECIFICATIONS

HOUSING/LENS FRAME

Aluminum die-cast with polyester bronze finish.

WIND RATING

EPA - 2.92 at vertical.

MOUNTING BRACKETS

Aluminum trunnion mount. Please see SPECIAL OPTIONS for additional selections.

ENTRIES

One ½" NPT.

GASKET

One piece silicone.

HARDWARE

Plated steel.

REFLECTORS

Semi-specular aluminum.

VISOR

Optional, copper free aluminum with an electrostatically applied polyester powder coat bronze finish.

LENS

Tempered glass.

BALLAST

Standard: Multi-tap 120/208/240/277v, 60Hz

Optional: 220v, 347v, or 480v 60Hz and 220v or 240v 50Hz

LAMP HOLDER

Mogul base, porcelain.

LAMP TYPES

High Pressure Sodium, Metal Halide* and Pulse Start Metal Halide. Luminaires supplied without lamps.

*Not available in the U.S.

ORDERING REFERENCES

PART NUMBER	LAMP TYPE	WATTAGE	WEIGHT LBS	ANSI LAMP TYPE	T-CODE	AMBIENT TEMP	SUPPLY WIRE TEMP
DRS257	High Pressure Sodium	250w	28.1	S50	T1	25/40°C	105/125°C
DRS407	High Pressure Sodium	400w	32.3	S51	T1	25/40°C	105/125°C
DRH257*	Metal Halide	250w	27.5	M158	T1	25/40°C	105/125°C
DRH407*	Metal Halide	400w	29.0	M59	T1	25/40°C	105/125°C
DRP257	Pulse Start Metal Halide	250w	27.2	M153	T1	25/40°C	105/125°C
DRP407	Pulse Start Metal Halide	400w	29.0	M155	T1	25/40°C	105/125°C

*Not available in the U.S.

SPECIAL OPTIONS

- 2* - 220v 50 Hz
- 3* - 220v 60 Hz
- 6* - 480v 60 Hz
- 8* - 120/277/347v 60Hz (Standard)
- P - Pole Mount
- V - Visor Cut-off
- G - Stainless Steel Wire Guard
- L** - Lamp

*Replace "7" in Part Number with 2, 3, 6 or 8.

**Lamp is not included unless option "L" is selected.

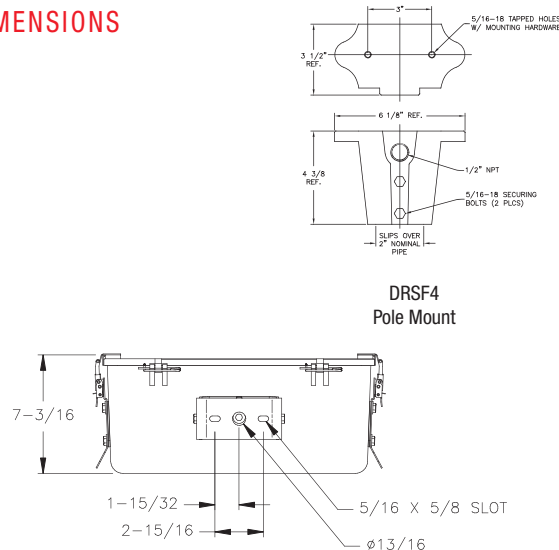
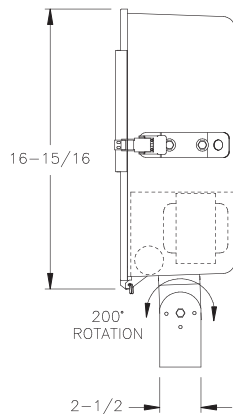
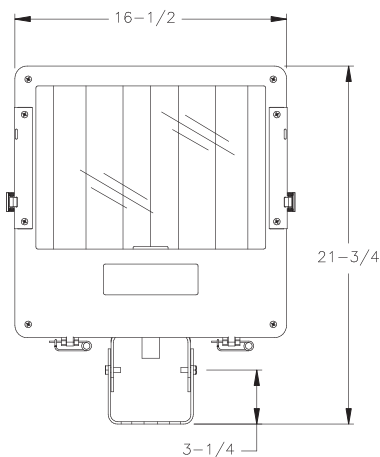
Notes:

1. Consult factory for options not listed.

SPARE PARTS

Part No.	Description	Part No.	Description
INX5021	BALLAST, High Pressure Sodium 250w	INX3524	LAMP, Metal Halide 400w
INX5019	BALLAST, High Pressure Sodium 400w	INX3733	LAMP, Pulse Start Metal Halide 250w
INX5102	BALLAST, Metal Halide 250w	INX3734	LAMP, Pulse Start Metal Halide 400w
INX5033	BALLAST, Metal Halide 400w	DRSWG4	WIRE GUARD, Stainless Steel
INX5245	BALLAST, Pulse Start Metal Halide 250w	DRSF4	POLE MOUNT (For 2" nominal pipe)
INX5246	BALLAST, Pulse Start Metal Halide 400w	DRV4	VISOR CUT-OFF
INX3546	LAMP, High Pressure Sodium 250w	INX4100	LAMP HOLDER
INX3517	LAMP, High Pressure Sodium 400w	SC30H	SAFETY CABLE, 48" Stainless Steel, Snap Hook
INX3541	LAMP, Metal Halide 250w		

DIMENSIONS



Dimensions in inches

Haz

HazSpot 746D2/al



FEATURES

- Unique lamp suspension system design absorbs vibration to extend lamp life up to 50% longer than competitive brands.
- High temperature silicone gasket provides a watertight seal.
- Adjustable mounting allows 360° horizontal rotation, vertical positioning down 45° and up 90°. 60° up with handle option.
- Medium flood with optional narrow or wide beam pattern. Lamp included.
- Field replaceable lens and gasket.
- Protective guard available.

APPLICATIONS

- Hazardous locations
- Marine and watertight requirements
- High vibration environments
- Oil and gas exploration and production
- Surface mining

APPROVALS

- Class I Division 2 Groups A,B,C & D
- Class I Zone 2 Groups IIA, IIB, IIB + H2 & IIC
- Type 4X
- Conforms to IP66
- Marine Outside Type Saltwater
- ABS

STANDARDS

- UL 844 - Hazardous Locations
- UL 1598A - Luminaires for Marine Vessels

TECHNICAL SPECIFICATIONS

HOUSING

Cast copper free aluminum with an electrostatically applied white polyester powder coat finish.

MOUNTING BASE

Cast copper free aluminum with an electrostatically applied black polyester powder coat finish.

GUARD

Stainless steel, optional.

LENS

Clear heat resistant glass.

ENTRIES

One 1/2" NPT, optional 3/4" NPT.

HARDWARE

Stainless steel.

GASKET

One piece silicone.

LAMP TYPE

300w Medium Floodlight PAR56 or 500w Quartz Halogen. Lamp included. Optional narrow spot or wide beam lamps.

LAMP HOLDER

Mogul end prong, porcelain. Low voltage lamps wired direct.

VOLTAGE

Rated for operation on 120v. Optional 12v and 28v versions.

MOUNTING

Surface type.

TERMINAL BLOCK

2 pole terminal block.

ORDERING REFERENCES

PART NUMBER	DESCRIPTION	WEIGHT LBS	ANSI LAMP TYPE	T-CODE	AMBIENT	SUPPLY WIRE
746A	300W Incandescent	22.0	PAR-56/MFL	T1	40°C	110°C
746AQ	500W Quartz Halogen	22.0	PAR-56Q/ML	T1	40°C	110°C

SPECIAL OPTIONS

- GRD - Guard
- NSP* - Narrow Spot Light Type
- WFL* - Wide Floodlight Type
- HDL - Handle and Clamp
- 12 - 12v Medium Floodlight Type (300w)
- 28** - 28v Medium Floodlight Type (450w)

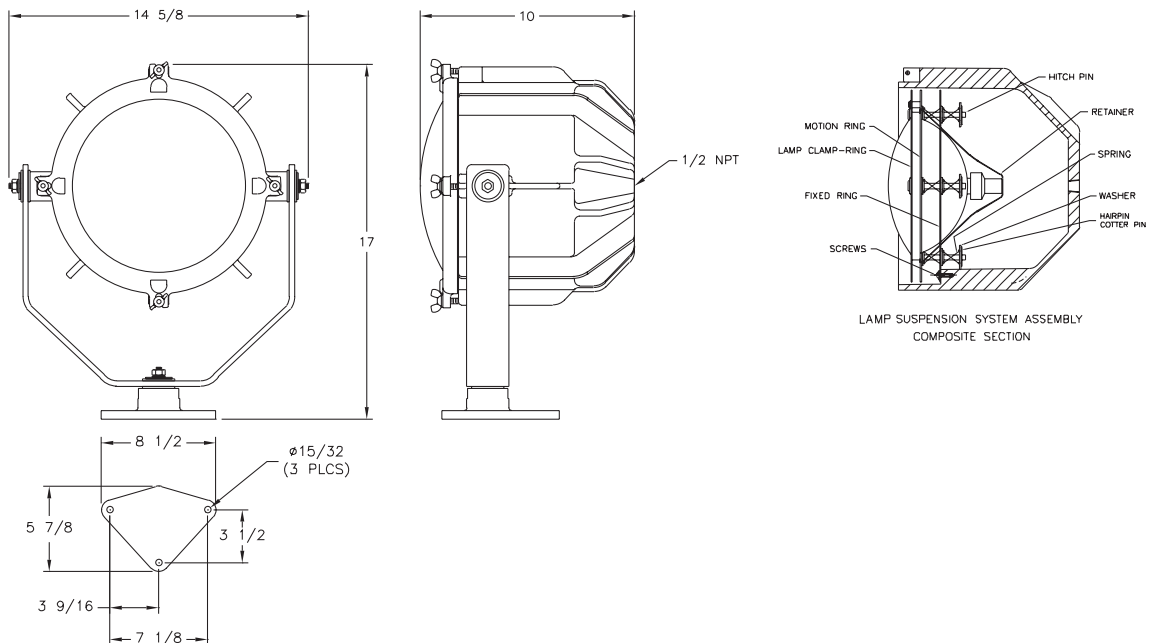
* For 120v only.

**10 hour lamp life.

SPARE PARTS

Part No.	Description	Part No.	Description
INX4014	LAMP HOLDER	INX3509	LAMP, 300w MFL 120v
INX1041	GUARD	INX3510	LAMP, 300w NSP 120v
GKT6095	FRAME GASKET	INX3581	LAMP, 300w WFL 120v
INX2143	LENS	INX3511	LAMP, 500w MFL 120v
INX9037A	LENS AND FRAME ASSEMBLY	INX3582	LAMP, 500w NSP 120v
INX7048A	STANDARD MOUNT	INX3583	LAMP, 500w WFL 120v
FX3001	TERMINAL BLOCK	INX3576	LAMP, 300w MFL 12v
INX8099	SWING BOLT/NUT KIT, Stainless steel (4 per package)	INX3575	LAMP, 450w MFL 28v (10 hour lamp life)

DIMENSIONS



Dimensions in inches

Haz

HazGuard 707/717/727/al



FEATURES

- Up to 150w incandescent.
- High temperature silicone gaskets provide a watertight seal.
- Four pole terminal block.
- Protective guard provided.



CHS Controls AB
Tel +46 42 38 61 00, Fax +46 42 38 61 29
chs@chscontrols.se www.chscontrols.se

APPLICATIONS

- Ceiling, pendant and wall mount types
- Hazardous locations
- Marine and watertight requirements
- Oil and gas exploration and production
- Petrochemical facilities
- Pharmaceutical & additives formulation & processing
- Pipeline compressor/pumping & storage
- Surface mining
- Waste water treatment plants

APPROVALS

- Class I Division 2 Groups A, B, C & D
- Class I Zone 2 Groups IIA, IIB, IIB + H2 & IIC
- Type 4X
- Conforms to IP66
- Marine Outside Type Saltwater
- ABS

STANDARDS

- UL 844 - Hazardous Locations
- UL 1598A - Luminaires for Marine Vessels

TECHNICAL SPECIFICATIONS

HOUSING

Cast copper free aluminum.

GUARD

Cast copper free aluminum.

HARDWARE

Stainless steel.

ENTRIES

Ceiling and wall types supplied drilled and tapped with four 3/4" NPT outlets and three plugs. Pendant type supplied with 3/4" NPT.

GASKETS

One piece silicone.

MOUNTING

Ceiling, pendant or wall. Intended for lamp base-up mounting.

LAMP HOLDER

Medium base, high temperature PBT. Nickel plated copper screw shell. Shockproof optional.

GLOBE

Clear glass. Optional tempered glass.

LAMP TYPE

A-21 150w incandescent. Lamp not provided.

VOLTAGE

Rated to 250v.

TERMINAL BLOCK

Four pole 20 Amp housed in junction box.

TEMPERATURE CODES

Rating T2D at 40°C ambient. Supply wire 90°C.

ORDERING REFERENCES

PART NUMBER	DESCRIPTION	WEIGHT LBS
707AM7D2	Wall Mount/Junction Box	3.1
717AM7D2	Ceiling Mount/Junction Box	2.5
727AM7D2	Pendant Mount/Junction Box	2.6

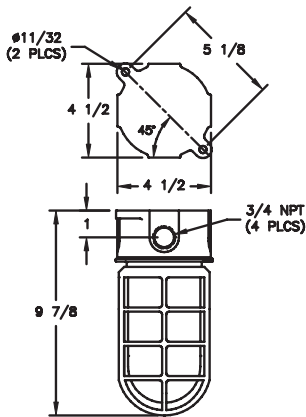
SPECIAL OPTIONS

- SP - Shockproof Lamp Holder
- HR - Heat Resistant Clear Glass Globe

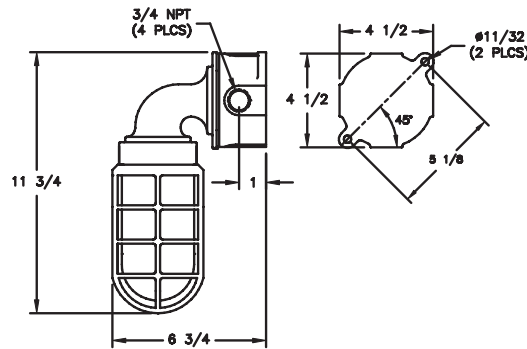
SPARE PARTS

Part No.	Description		
INX3558	LAMP, 150w A-21	INX1037A/SCR	GUARD
INX2007CLR	GLOBE, Glass Clear	GKT2002SIL	GASKET, Globe
INX2007HR	GLOBE, Heat Resistant Clear	GKT3000SIL	GASKET, Junction Box
INX4000	LAMP HOLDER, Standard PBT	CX3070	TERMINAL BLOCK, 4 pole
INX4000SP	LAMP HOLDER, Shockproof		

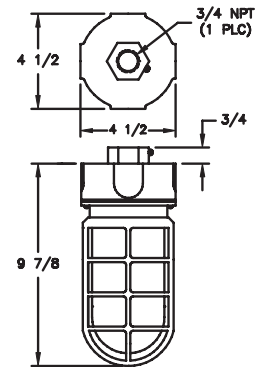
DIMENSIONS



717AM7D2



707AM7D2



727AM7D2

Dimensions in inches

Haz

HazGuard **Exacta/al**



FEATURES

- Available in 150w incandescent or 18w, 26w and 32w compact fluorescent.
- Approved for use in Class II dust areas.
- High temperature silicone gasket provides a watertight seal.
- Watertight mounting in any direction.
- Optional cast aluminum, polymeric or stainless steel guards.
- A wide variety of globe materials and colors.



CHS Controls AB
Tel +46 42 38 61 00, Fax +46 42 38 61 29
chs@chscontrols.se www.chscontrols.se

APPLICATIONS

- Ceiling, pendant and wall mount types
- Hazardous locations
- Watertight requirements
- Dusttight requirements
- Grain & sugar milling, processing & storage
- Petrochemical facilities
- Coal processing & storage
- Pharmaceutical & additives formulation & processing
- Pipeline compressor/pumping & storage
- Surface mining
- Waste water treatment plants
- Pulp & paper production
- Freezer and refrigeration

APPROVALS

- Class I Division 2 Groups A, B, C & D
- Class I Zone 2 Groups IIA, IIB & IIC
- Class II Division 2 Groups F & G
- Class III
- Type 4
- Conforms to IP66

STANDARDS

- UL 844 - Hazardous Locations
- 1598 - Luminaires
- CSA - Class 3428 03
- CSA - Class 3428 83

TECHNICAL SPECIFICATIONS

HOUSING

Cast copper free aluminum with an electrostatically applied polyester powder coat finish.

GUARD

Optional, cast aluminum, nylon 6/6 or stainless steel guard.

HARDWARE

Stainless steel.

ENTRIES

1/2" or 3/4" NPT.

GASKETS

One piece silicone.

MOUNTING

Ceiling, pendant or wall.

LAMP HOLDER

Incandescent, medium base porcelain. Compact fluorescent, polycarbonate.

GLOBE

Glass, tempered glass or polycarbonate.

LAMP TYPE

A-21 150w incandescent or 4 Pin compact fluorescent. Lamps not provided unless option "L" is selected.

VOLTAGE

Incandescent rated to 240v.

Compact fluorescent rated to 120v 50/60Hz, optional 277v 50/60Hz.

TEMPERATURE CODES

At 40°C ambient. Supply wire 90°C.

Lamp	Wattage	Globe	T-Code
Incandescent	150	Glass	T3
Incandescent	100	Glass	T3C
Incandescent	100	Polycarbonate	T3C
Compact fluorescent	32 Max	All	T3C

ORDERING REFERENCES

1. Series
ACEH

2. Lamp Type
 15I - 150 watt max incandescent
 18F - 18 watt compact fluorescent
 26F - 26 watt compact fluorescent
 32F - 32 watt compact fluorescent

3. Voltage / Frequency
 1 - 120v 50/60 Hz
 2 - 240v 50/60 Hz (Incandescent only)
 3 - 277v 50/60 Hz (Compact fluorescent only)

4. Globe Type
 GC* - Glass, clear
 PC* - Polycarbonate, clear
 PP - Polycarbonate, prismatic
 TG - Tempered Glass, clear

5. Guard
 G - Guard, cast aluminum (For glass globes only)
 GP - Guard, polymeric (For glass globes only)
 GW - Guard, stainless steel wire

* For colored globes replace "C" with first letter of color required. (ie.: "GR" for red glass globe.) Colors available: amber, blue, green, red and white.

Globe use - mounting warning:
 Glass globes 150 watt max, any mounting position. Polycarbonate globe 100 watt max, base up only. Polycarbonate globe 60 watt max, any mounting position.

6. Mounting Options
 C1 - Ceiling Mount, feed through 1/2" NPT
 C2 - Ceiling Mount, feed through 3/4" NPT
 P1 - Pendant Mount, 1/2" NPT
 P2 - Pendant Mount, 3/4" NPT
 W1 - Wall Mount & Outlet Box, 1/2" NPT
 W2 - Wall Mount & Outlet Box, 3/4" NPT

7. Special Options
 L* - Lamp

*Lamp not included unless option "L" is specified.

Notes
 1. Consult factory for options not listed.

COMMONLY ORDERED LUMINAIRES

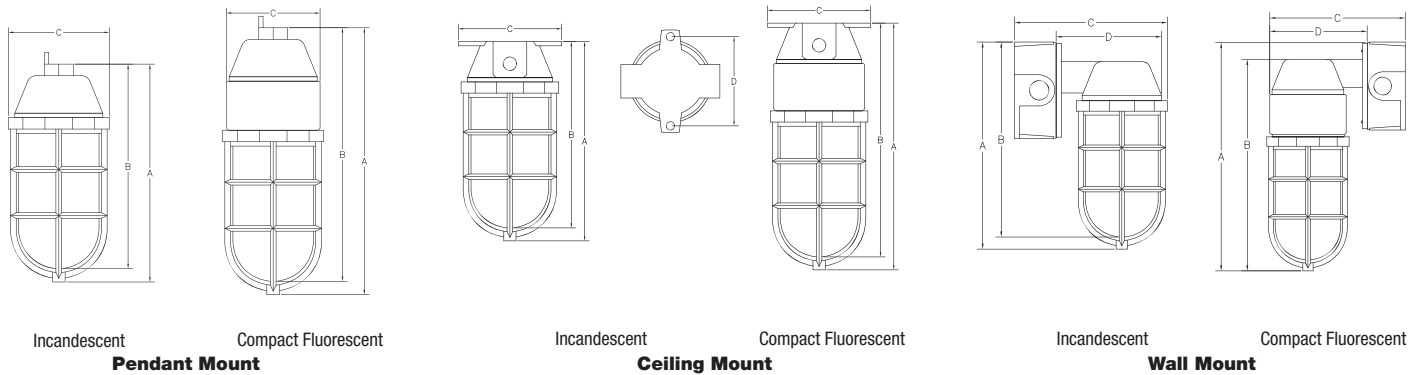
Part No.	Mounting	Lamp Type	Lamp Wattage	Weight		Shipping Volume
				Lbs	Kg	
ACE H15I 1GC G P1	PENDANT	Incandescent	150	3.7	1.65	0.5 ft ³
ACE H18F 1GC G P1	PENDANT	Compact Fluorescent	18	5.1	2.30	0.8 ft ³
ACE H26F 1GC G P1	PENDANT	Compact Fluorescent	26	5.1	2.30	0.8 ft ³
ACE H32F 1GC G P1	PENDANT	Compact Fluorescent	32	5.1	2.30	0.8 ft ³
ACE H15I 1GC G C1	CEILING	Incandescent	150	4.1	1.85	0.5 ft ³
ACE H18F 1GC G C1	CEILING	Compact Fluorescent	18	5.5	2.50	0.8 ft ³
ACE H26F 1GC G C1	CEILING	Compact Fluorescent	26	5.5	2.50	0.8 ft ³
ACE H32F 1GC G C1	CEILING	Compact Fluorescent	32	5.5	2.50	0.8 ft ³
ACE H15I 1GC G W1	WALL	Incandescent	150	5.4	2.45	0.5 ft ³
ACE H18F 1GC G W1	WALL	Compact Fluorescent	18	6.8	3.10	0.8 ft ³
ACE H26F 1GC G W1	WALL	Compact Fluorescent	26	6.8	3.10	0.8 ft ³
ACE H32F 1GC G W1	WALL	Compact Fluorescent	32	6.8	3.10	0.8 ft ³

HazGuard **Exacta**/al

SPARE PARTS

Part No.	Description
FX4030	LAMP HOLDER, 18w CF
FX4034	LAMP HOLDER, 26w CF
FX4034	LAMP HOLDER, 32w CF
INX755-0930	LAMP HOLDER, Incandescent
INX2007CLR	GLASS GLOBE, Clear
INX2007RED	GLASS GLOBE, Red
INX2007GRN	GLASS GLOBE, Green
INX2007BLU	GLASS GLOBE, Blue
INX2007YEL	GLASS GLOBE, Amber
INX2007HR	GLASS GLOBE, Clear Tempered
P100C	GLOBE, Clear Polycarbonate
FX5206	BALLAST, 120v, 18w CF
FX5206	BALLAST, 120v, 26w CF
FX5206	BALLAST, 120v, 32w CF
FX3552	LAMP, 18w CF
FX3553	LAMP, 26w CF
FX3554	LAMP, 32w CF
INX3558	LAMP, 150w Incandescent
INXGC150	GUARD, Cast Aluminum
INXGW150	GUARD, Stainless Steel
INXGP150	GUARD, Polymeric
GKT101-0002	GASKET, Junction box

DIMENSIONS



Mount	Pendant Mount		Ceiling Mount		Wall Mount	
Type	Incandescent	Compact Fluorescent	Incandescent	Compact Fluorescent	Incandescent	Compact Fluorescent
A	9.75 (24.8)	12.13 (30.8)	9.25 (23.5)	11.13 (28.3)	10.13 (25.7)	12.5 (31.8)
B	9.25 (23.5)	11.63 (29.5)	8.75 (22.2)	10.63 (27.0)	9.63 (24.5)	12.0 (30.5)
C	4.34 (11)	4.34 (11)	4.63 (11.7)	4.63 (11.7)	7.25 (18.4)	7.25 (18.4)
D	--	--	4.00 (10.2)	4.00 (10.2)	5.13 (13)	5.13 (13)

Dimensions are in inches (cm).

NOTES

XPF

XPFGuard EP/al



FEATURES

- Available in 100w and 200w incandescent or 18w, 26w and 32w compact fluorescent.
- Field replaceable, factory sealed globe assembly.
- Heat and impact resistant clear glass globe.
- Neoprene gaskets resist petroleum and provide a watertight seal.
- Available without reflector, with shallow dome reflector or 30° angled reflector.
- Protective guard provided.
- Optional colored globes available.

APPLICATIONS

- Class I Division 1 explosive atmospheres
- Ceiling, pendant and wall mount types
- Aircraft fueling & maintenance areas
- Oil and gas exploration and production
- Fuel dispensing facilities
- Marine and watertight requirements
- Pipeline compressor/pumping & storage
- Alcohol formulation, blending & storage
- Paint & formulation facilities
- Petrochemical facilities

APPROVALS

- Class I Divisions 1 & 2 Groups C & D
- Type 4X
- Conforms to IP66
- Marine Outside Type Saltwater
- ABS

STANDARDS

- UL 844 - Hazardous Locations
- UL 1598A - Luminaires for Marine Vessels
- CSA - C22.2 No. 137-M1981

TECHNICAL SPECIFICATIONS

HOUSING

Cast copper free aluminum.

GUARD

Cast copper free aluminum.

HARDWARE

Stainless steel.

ENTRIES

Standard one 1/2" NPT outlet. Up to 3/4" NPT four way available. See ENTRY OPTIONS for selections.

GASKET

One piece neoprene.

MOUNTING

Ceiling, pendant or wall. Intended for lamp base-up mounting.

LAMP HOLDER

Medium base, high temperature PBT. Nickel plated copper screw shell. Shockproof optional. Compact fluorescent polycarbonate.

GLOBE

Clear tempered glass, optional colored globes: blue, green red or yellow.

REFLECTOR

Optional 30° angled or shallow dome Acrylonitrile Butadiene Styrene (ABS), gloss white.

LAMP TYPE

A-19 incandescent, A-21 incandescent or 4 Pin compact fluorescent. Lamp not provided.

VOLTAGE

Incandescent rated to 250v.

Compact fluorescent rated to 120v 50/60Hz, optional 277v 50/60Hz.

TERMINAL BLOCK

Optional 4 pole, incandescent models only.

TEMPERATURE CODES

At 40°C ambient temperature.

Lamp Wattage	Globe Color	T-Code	Supply Wire
100w	Clear	T4	60°C
200w	Clear	T3B	125°C
200w	Colored	T2D	105°C
18/26/32w	Clear	T6	75°C
18/26/32w	Colored	T2D	105°C

ORDERING REFERENCES

PART NUMBER	DESCRIPTION	LAMP MAX	WEIGHT LBS
EPB46A	Wall Mount without Reflector	A-19 100w	10.9
EPB47A	Wall Mount without Reflector	A-21 200w	11.6
FEPB47A-#	Wall Mount without Reflector	CF	11.8
EPB48A	Wall Mount with 30° Angled Reflector	A-19 100w	12.0
EPB49A	Wall Mount with 30° Angled Reflector	A-21 200w	12.7
FEPB49A-#	Wall Mount with 30° Angled Reflector	CF	12.9
EPC30A	Ceiling Mount without Reflector	A-19 100w	8.0
EPC31A	Ceiling Mount without Reflector	A-21 200w	8.8
FEPC31A-#	Ceiling Mount without Reflector	CF	9.0
EPC34A	Ceiling Mount with Shallow Dome Reflector	A-19 100w	8.6
EPC35A	Ceiling Mount with Shallow Dome Reflector	A-21 200w	10.0
FEPC35A-#	Ceiling Mount with Shallow Dome Reflector	CF	10.2
EPC36A	Ceiling Mount with 30° Angled Reflector	A-19 100w	9.2
EPC37A	Ceiling Mount with 30° Angled Reflector	A-21 200w	10.0
FEPC37A-#	Ceiling Mount with 30° Angled Reflector	CF	10.2
EPP38A	Pendant Mount without Reflector	A-19 100w	7.3
EPP39A	Pendant Mount without Reflector	A-21 200w	8.0
FEPP39A-#	Pendant Mount without Reflector	CF	8.2
EPP42A	Pendant Mount with Shallow Dome Reflector	A-19 100w	7.8
EPP43A	Pendant Mount with Shallow Dome Reflector	A-21 200w	9.2
FEPP43A-#	Pendant Mount with Shallow Dome Reflector	CF	9.4
EPP44A	Pendant Mount with 30° Angled Reflector	A-19 100w	8.4
EPP45A	Pendant Mount with 30° Angled Reflector	A-21 200w	9.2
FEPP45A-#	Pendant Mount with 30° Angled Reflector	CF	9.5

Enter compact fluorescent (CF) wattage desired: 18, 26 or 32.

SPECIAL OPTIONS

- SP - Shockproof Lamp Holder
- T* - Terminal Block (4 pole)
- B - Blue Globe (For 200w & CF)
- G - Green Globe (For 200w & CF)
- R - Red Globe (For 200w & CF)
- Y - Yellow Globe (For 200w & CF)
- 276** - 277v 60Hz

*Available on incandescent wall & ceiling models only.

** Available on compact fluorescent models only.

ENTRY OPTIONS

Wall and Ceiling Versions

NPT Trade Size	Dead End	Thru Feed	90 Degree	X-Positions
1/2"	Std.	C1	L1	X1
3/4"	E2	C2	L2	X2

Pendant Version

NPT Trade Size	Dead End
1/2"	Std.
3/4"	E2

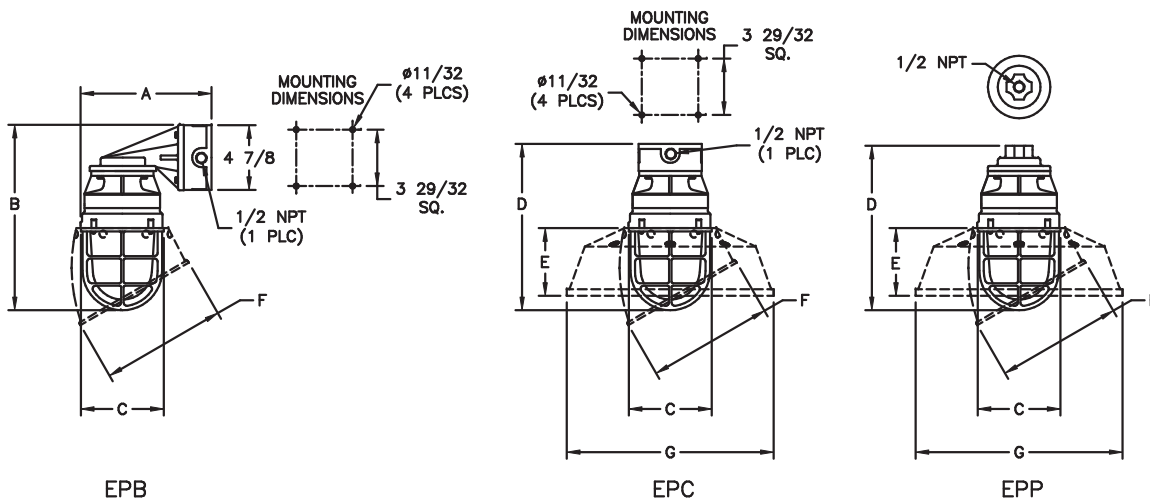
XPFGuard **EP/al**

SPARE PARTS

Part No.	Description	Part No.	Description
INX3528	LAMP, Incandescent, 100w	INX4540	REFLECTOR, 200w Angled
INX3557	LAMP, Incandescent, 200w	INX4000	LAMP HOLDER, Incandescent
FX3552	LAMP, Compact Fluorescent, 18w	FX4030	LAMP HOLDER, Compact Fluorescent, 18w
FX3553	LAMP, Compact Fluorescent, 26w	FX4034	LAMP HOLDER, Compact Fluorescent, 26w/32w
FX3554	LAMP, Compact Fluorescent, 32w	FX5206	BALLAST, 120VAC 50/60Hz
INX1004A	GUARD, 100w	FX5242	BALLAST, 277VAC 50/60Hz
INX1005A	GUARD, 200w	INX9005A	GLOBE ASSEMBLY, 100w
INX4543	REFLECTOR, 100w Shallow	INX9012A	GLOBE ASSEMBLY, *200w
INX4538	REFLECTOR, 100w Angled		
INX4556	REFLECTOR, 200w Shallow		

*200w only - for colored globe add suffix to end of Globe Assembly part number.
Blank - Clear B - Blue Globe G - Green Globe R - Red Globe Y - Yellow Globe

DIMENSIONS



Dimensions in inches

	A	B	C	D	E	F	G
60-100w	9 3/8	12 1/4	5 3/4	11 1/4	2 3/4	Ø10 3/8	Ø12 1/2
100-200w & CF	9 3/4	14	6 1/4	12 1/2	4 5/8	Ø12 1/2	Ø16 3/8

NOTES

Haz

HazMark

1158D2/1159D2/al



FEATURES

- Steady burn marker.
- Available up to 100w incandescent.
- High temperature silicone gaskets provide a watertight seal.
- Watertight mounting in any direction.
- Protective guard available.
- Heat and impact resistant glass fresnel lens in clear, yellow, green, red or blue.



CHS Controls AB
Tel +46 42 38 61 00, Fax +46 42 38 61 29
chs@chscontrols.se www.chscontrols.se

APPLICATIONS

- Obstruction marking
- Heli-pad marking
- Hazardous locations
- Ceiling/surface and stem/pendant mount types
- Marine and watertight requirements
- Oil and gas exploration and production
- Petrochemical facilities

APPROVALS

- Class I Division 2 Groups A, B, C & D
- Class I Zone 2 Groups IIA, IIB, IIB + H2 & IIC
- Type 4X
- Conforms to IP66
- ABS

STANDARD

- UL 844 - Hazardous Locations
- UL 1598 - Luminaires

TECHNICAL SPECIFICATIONS

HOUSING

Cast copper free aluminum.

GUARD

Optional, cast copper free aluminum.

HARDWARE

Stainless steel.

ENTRIES

Stem/pendant type - one 3/4" NPT.
Ceiling/surface type - one 1/2" NPT, up to 3/4" NPT four way available.
See ENTRY OPTIONS for selections.

GASKETS

One piece silicone.

MOUNTING

Ceiling/surface or stem/pendant type.

LAMP HOLDER

Medium base, high temperature PBT. Nickel plated copper screw shell.
Porcelain or shockproof optional.

LENS

Tempered fresnel glass in clear, red, blue, green or yellow.

LAMP TYPE

A-19 100w Incandescent, 40w max when using blue lens. Lamp not provided.

VOLTAGE

Rated to 250v.

TERMINAL BLOCK

Optional 4 pole terminal block on ceiling/surface types.

TEMPERATURE CODES

Lens Color	Max A-19 Lamp Size	Temp Code at 40°C	
		Stem	Box
CLR	100w	T2	T2C
RED	100w	T2	T2C
BLU	40w	T2C	T3A
GRN	100w	T2	T2C
YEL	100w	T2	T2C

ORDERING REFERENCES

PART NUMBER	DESCRIPTION	LENS COLOR	WEIGHT LBS**
1158ACLRD2	Stem/Pendant	Clear	3.6
1158AREDD2	Stem/Pendant	Red	3.6
1158ABLUD2*	Stem/Pendant	Blue	3.6
1158AGRND2	Stem/Pendant	Green	3.6
1158AYELD2	Stem/Pendant	Yellow	3.6
1159ACLRD2	Ceiling/Surface	Clear	3.6
1159AREDD2	Ceiling/Surface	Red	3.6
1159ABLUD2*	Ceiling/Surface	Blue	3.6
1159AGRND2	Ceiling/Surface	Green	3.6
1159AYELD2	Ceiling/Surface	Yellow	3.6

*40w max for blue lens.

**Add .3 lbs for guard.

SPECIAL OPTIONS

- P - Porcelain Lamp holder
- SP - Shockproof Lamp holder
- T - Terminal Block, 4 pole (Ceiling/surface type)
- GRD - Guard

ENTRY OPTIONS

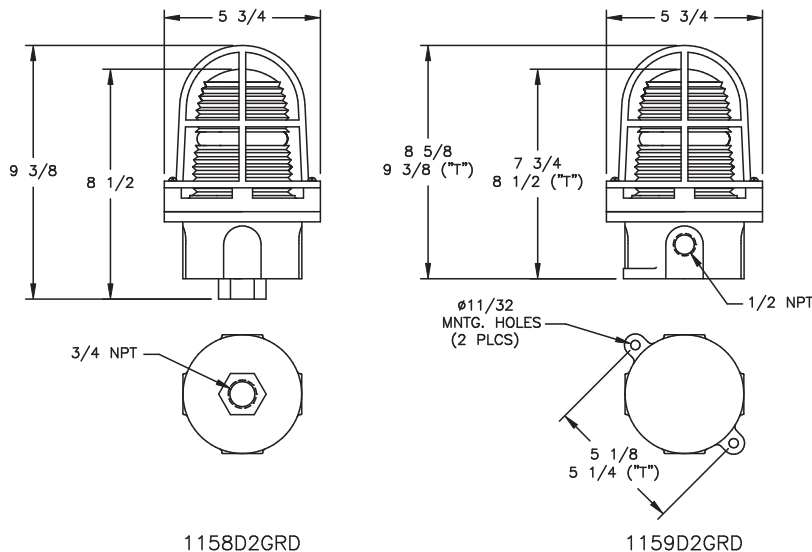
1159D2 Ceiling/Surface Type

NPT Trade Size	Dead End	Thru Feed	90 Degree	X-Positions
1/2"	Std.	C1	L1	X1
3/4"	E2	C2	L2	X2

SPARE PARTS

Part No.	Description
INX4000	LAMP HOLDER, Standard PBT
INX4000SP	LAMP HOLDER, Shockproof
INX4000P	LAMP HOLDER, Porcelain
INX1004A	GUARD
CX3070	TERMINAL BLOCK 4 Pole
GKT1143	GASKET SET
INX2058C	LENS (5" overall length), Clear
INX2058G	LENS (5" overall length), Green
INX2058B	LENS (5" overall length), Blue
INX2058R	LENS (5" overall length), Red
INX2058Y	LENS (5" overall length), Yellow
INX2058G-AV	LENS (5" overall length), CAP 437
INX3531	LAMP, 40W A-19
INX3528	LAMP, 100w A-19

DIMENSIONS



Dimensions in inches

Haz

HazStrobe 7120/7121/al



FEATURES

- Strobe rated at 51.5 effective candle power (ECP).
- 7,000 hour strobe tube.
- High temperature silicone gaskets provide a watertight seal.
- Watertight mounting in any direction.
- Protective guard available.
- Heat and impact resistant glass fresnel lens in clear, yellow, green, red or blue.
- Rugged cast design for high abuse areas.



CHS Controls AB
Tel +46 42 38 61 00, Fax +46 42 38 61 29
chs@chscontrols.se www.chscontrols.se

APPLICATIONS

- Ceiling/surface and stem/pendant mounting types
- Hazardous locations
- Status/warning indication
- High ambient noise environments
- Obstruction marking
- Oil and gas exploration and production
- Marine and watertight requirements
- Petrochemical facilities
- Process control

APPROVALS

- Class I Division 2 Groups A, B, C & D
- Class I Zone 2 Groups IIA, IIB, IIB+H2 & IIC
- Type 4X
- Conforms to IP66
- ABS

STANDARDS

- UL 844 - Hazardous Locations
- UL 1598 - Luminaires
- CSA - C22.2 137-M1981

TECHNICAL SPECIFICATIONS

HOUSING

Cast copper free aluminum.

GUARD

Optional, cast copper free aluminum.

HARDWARE

Stainless steel.

ENTRIES

Stem/pendant type - one 3/4" NPT.
Ceiling/surface type - 3/4" NPT four way with three plugs.
See ENTRY OPTIONS for other selections.

GASKETS

One piece silicone.

MOUNTING

Ceiling/surface or stem/pendant.

LENS

Tempered fresnel glass in clear, red, blue, green or yellow.

LAMP TYPE

Xenon strobe.

FLASH RATE

65 to 95 FPM.

VOLTAGE

120v AC 50/60Hz. Other options available.

CURRENT DRAW

120v AC 50/60 Hz = .10 amps
240v AC 50/60 Hz = .07 amps
LV 12-48v DC = .44 - .10 amps

TERMINAL BLOCK

Four pole, optional for ceiling/surface type.

TEMPERATURE CODE

Rated T6 at 40°C ambient.

ORDERING REFERENCES

PART NUMBER	DESCRIPTION	LENS COLOR	WEIGHT LBS
7120ACG	Ceiling/Surface	Clear	3.5
7120ARG	Ceiling/Surface	Red	3.5
7120ABG	Ceiling/Surface	Blue	3.5
7120AGG	Ceiling/Surface	Green	3.5
7120AYG	Ceiling/Surface	Yellow	3.5
7121ACG	Stem/Pendant	Clear	3.5
7121ARG	Stem/Pendant	Red	3.5
7121ABG	Stem/Pendant	Blue	3.5
7121AGG	Stem/Pendant	Green	3.5
7121AYG	Stem/Pendant	Yellow	3.5

SPECIAL OPTIONS

LV	- 12v/48v DC
-240	- 240v 50/60Hz
D	- Guard
T	- Terminal Block, 4 pole (Ceiling/surface type)

ENTRY OPTIONS

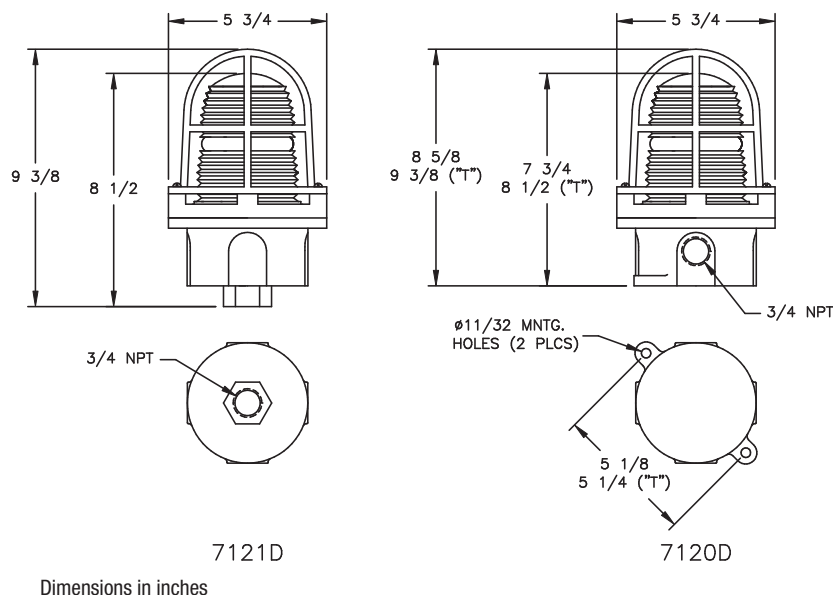
7120 Ceiling/Surface

NPT Trade Size	Dead End	Thru Feed	90 Degree	X-Positions
1/2"	E1	C1	L1	X1
3/4"	E2	C2	L2	Std.

SPARE PARTS

Part No.	Description
INX1004A	GUARD
INX2058C	LENS (5" overall height), Clear
INX2058G	LENS (5" overall height), Green
INX2058B	LENS (5" overall height), Blue
INX2058R	LENS (5" overall height), Red
INX2058Y	LENS (5" overall height), Yellow
INX3724	LAMP Xenon
GKT1143	GASKET SET
INX3390	CIRCUIT BOARD, 120v AC
INX3391	CIRCUIT BOARD, 240v AC
INX3392	CIRCUIT BOARD, 12/48v DC

DIMENSIONS



XPF

XPFStrobe EPN/al



FEATURES

- Strobe rated at 300 effective candle power (ECP).
- 10,000 hour strobe tube.
- Neoprene gasket resists petroleum and provides a watertight seal.
- Clear heat and impact resistant outer globe.
- Watertight mounting in any direction.
- Protective guard provided.
- Internal fresnel lens in clear, yellow, green, red or blue.
- Rugged cast design for high abuse areas.



CHS Controls AB
Tel +46 42 38 61 00, Fax +46 42 38 61 29
chs@chscontrols.se www.chscontrols.se

APPLICATIONS

- Class I Division 1 explosive atmospheres
- Ceiling, pendant and wall mounting types
- Status/warning indication
- High ambient noise environments
- Obstruction marking
- Oil and gas exploration and production
- Marine and watertight requirements
- Petrochemical facilities
- Aircraft fueling and maintenance areas
- Process control
- Paint and formulation facilities
- Fuel dispensing facilities

APPROVALS

- Class I Divisions 1 & 2 Groups C & D
- Type 4X
- Conforms to IP66
- ABS

STANDARDS

- UL 844 - Hazardous Locations
- UL 1598A - Luminaires for Marine Vessels
- UL 1638 - Marine Visual Signaling Device
- CSA - C22.2 137-M1981

TECHNICAL SPECIFICATIONS

HOUSING

Cast copper free aluminum.

GUARD

Cast copper free aluminum.

HARDWARE

Stainless steel.

ENTRIES

One 1/2" NPT. Up to 3/4" NPT four way available.
See ENTRY OPTIONS for selections.

GASKET

One piece neoprene.

MOUNTING

Ceiling, pendant or wall.

OUTER GLOBE

Clear tempered glass.

INTERNAL LENS

Polycarbonate fresnel in clear, red, blue, green or yellow.

LAMP TYPE

Xenon strobe.

FLASH RATE

DC - 80 FPM

AC - 90 FPM

VOLTAGE

120v AC 50/60Hz. Other options available.

CURRENT DRAW

12v DC = 1.7 amps

24v DC = .7 amps

120v AC 50/60Hz = .32 amps

240v AC 50/60Hz = .16 amps

TEMPERATURE CODE

Rated T6 at 40°C ambient.

ORDERING REFERENCES

PART NUMBER	DESCRIPTION	WEIGHT LBS
EPN7000A	Ceiling Mount	9.0
EPN7001A	Pendant Mount	8.0
EPN7002A	Wall Mount	11.5

SPECIAL OPTIONS

- 5 - 12v DC
- 6 - 24v DC
- 4 - 240v AC 50/60Hz
- RED - Red Lens
- BLU - Blue Lens
- GRN - Green Lens
- YEL - Yellow Lens

ENTRY OPTIONS

Wall and Ceiling Types

NPT Trade Size	Dead End	Thru Feed	90 Degree	X-Positions
1/2"	Std.	C1	L1	X1
3/4"	E2	C2	L2	Std.

Pendant Type

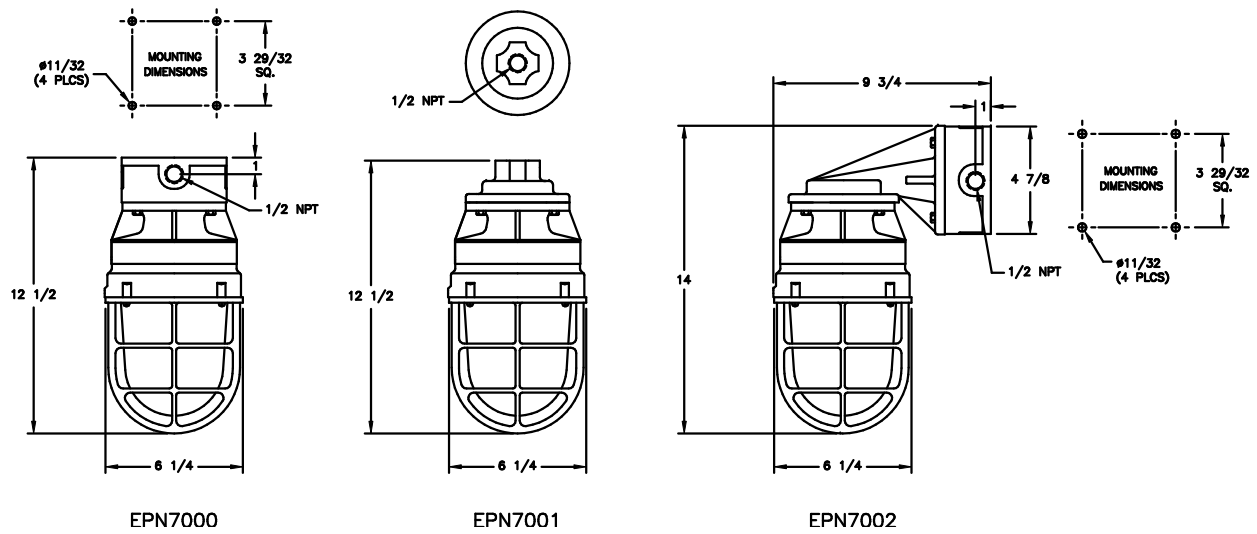
NPT Trade Size	Dead End
1/2"	Std.
3/4"	E2

SPARE PARTS

Part No.	Description
INX1005A	GUARD
INX9012A	GLOBE ASSEMBLY
INX3648	LAMP
INX3636CLR	INTERNAL STROBE/LENS ASSEMBLY, 120v AC 50/60Hz, Clear Lens
INX3636RED	INTERNAL STROBE/LENS ASSEMBLY, 120v AC 50/60Hz, Red Lens
INX3636BLU	INTERNAL STROBE/LENS ASSEMBLY, 120v AC 50/60Hz, Blue Lens
INX3636GRN	INTERNAL STROBE/LENS ASSEMBLY, 120v AC 50/60Hz, Green Lens
INX3636YEL	INTERNAL STROBE/LENS ASSEMBLY, 120v AC 50/60Hz, Yellow Lens
INX3637CLR	INTERNAL STROBE/LENS ASSEMBLY, 12v-24v DC, Clear Lens
INX3637RED	INTERNAL STROBE/LENS ASSEMBLY, 12v-24v DC, Red Lens
INX3637BLU	INTERNAL STROBE/LENS ASSEMBLY, 12v-24v DC, Blue Lens
INX3637GRN	INTERNAL STROBE/LENS ASSEMBLY, 12v-24v DC, Green Lens
INX3637YEL	INTERNAL STROBE/LENS ASSEMBLY, 12v-24v DC, Yellow Lens
INX3639CLR	INTERNAL STROBE/LENS ASSEMBLY, 240v AC 50/60Hz, Clear Lens
INX3639RED	INTERNAL STROBE/LENS ASSEMBLY, 240v AC 50/60Hz, Red Lens
INX3639BLU	INTERNAL STROBE/LENS ASSEMBLY, 240v AC 50/60Hz, Blue Lens
INX3639GRN	INTERNAL STROBE/LENS ASSEMBLY, 240v AC 50/60Hz, Green Lens
INX3639YEL	INTERNAL STROBE/LENS ASSEMBLY, 240v AC 50/60Hz, Yellow Lens

XPFStrobe EPN/al

DIMENSIONS



Dimensions in inches

NOTES

XPF

XPFBeacon EPB/EPC/EPP/al



FEATURES

- 75 RPM rotating reflector. Suitable for intermittent operation.
- Neoprene gasket resists petroleum and provides a watertight seal.
- Protective guard available.
- Heat and impact resistant tempered glass in clear, yellow, green, red or blue.
- Rugged cast design for high abuse areas.



CHS Controls AB
Tel +46 42 38 61 00, Fax +46 42 38 61 29
chs@chscontrols.se www.chscontrols.se

APPLICATIONS

- Class I Division 1 explosive atmospheres
- Ceiling, pendant and wall mounting types
- Warning indication
- High ambient noise environments
- Oil and gas exploration and production
- Marine and watertight requirements
- Petrochemical facilities
- Paint and formulation facilities
- Aircraft fueling and maintenance areas
- Fuel dispensing facilities

APPROVALS

- Class I Divisions 1 & 2 Groups C & D
- Type 4X
- Conforms to IP66
- ABS

STANDARDS

- UL 844 - Hazardous Locations
- UL 1598A - Luminaires for Marine Vessels
- UL 1638 - Marine Visual Signaling Device
- CSA - C22.2 137-M1981

TECHNICAL SPECIFICATIONS

HOUSING

Cast copper free aluminum.

GUARD

Optional, cast copper free aluminum.

REFLECTOR

Highly specular aluminum.

HARDWARE

Stainless steel.

ENTRIES

One 1/2" NPT. Up to 3/4" NPT four way available. See ENTRY OPTIONS for selections.

GASKET

One piece neoprene.

MOUNTING

For vertical mounting. Lamp base up or down.

GLOBE

Clear tempered glass. Optional colored: red, blue, green or yellow.

LAMP TYPE

100w quartz halogen, provided.

VOLTAGE

120v 50/60Hz. Optional 12v DC or 240v 50/60Hz. See SPECIAL OPTIONS for details.

TEMPERATURE CODE

Rated T3 at 40°C ambient.

ORDERING REFERENCES

PART NUMBER	DESCRIPTION	WEIGHT LBS
EPC7004A	Ceiling Mount	9.0
EPP7004A	Pendant Mount	8.0
EPB7004A	Wall Mount	11.5

SPECIAL OPTIONS

- 5 - 12v DC
- 4 - 240v 50/60Hz
- RED - Red Lens
- BLU - Blue Lens
- GRN - Green Lens
- YEL - Yellow Lens
- GRD - Guard

ENTRY OPTIONS

Wall and Ceiling Types

NPT Trade Size	Dead End	Thru Feed	90 Degree	X-Positions
1/2"	Std.	C1	L1	X1
3/4"	E2	C2	L2	X2

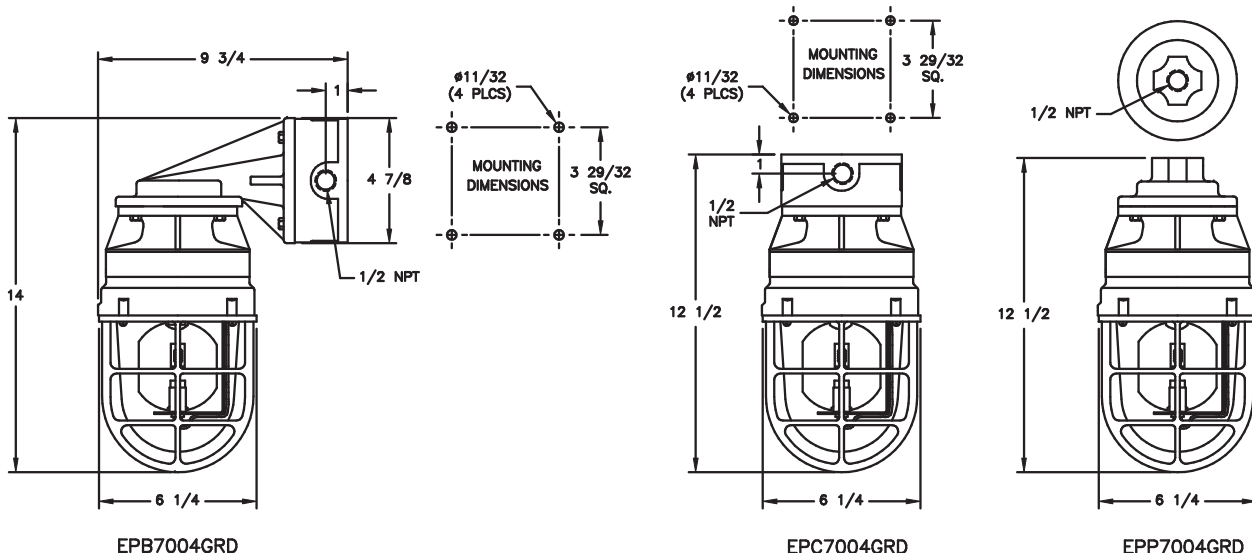
Pendant Type

NPT Trade Size	Dead End
1/2"	Std.
3/4"	E2

SPARE PARTS

Part No.	Description
INX1005A	GUARD
INX3345	MOTOR, 120v AC 50/60Hz
INX3345-4	MOTOR, 240v AC 50/60Hz
INX3345-5	MOTOR, 12v DC
INX4011	LAMP HOLDER
INX9012A	GLOBE ASSEMBLY, Clear
INX9012ARED	GLOBE ASSEMBLY, Red
INX9012ABLU	GLOBE ASSEMBLY, Blue
INX9012AGR	GLOBE ASSEMBLY, Green
INX9012AYEL	GLOBE ASSEMBLY, Yellow
INX3629	LAMP, 100w Quartz Halogen 120v AC
INX3680	LAMP, 100w Quartz Halogen 240v AC
INX3671	LAMP, 100w Quartz Halogen 12v DC

DIMENSIONS



Dimensions in inches

NOTES

NON METALLIC

Professional Use Lighting

ProMax Linear Fluorescent	ProGuard Globe & Guard
<p data-bbox="386 380 604 443">Intrepid/nm - Pg. 228 (FPS)</p> 	<p data-bbox="813 380 1019 443">Exacta/nm - Pg. 240 (IP-Exacta)</p> 
<p data-bbox="386 680 565 743">Versa/nm - Pg. 232 (VersaPro)</p> 	
<p data-bbox="386 980 581 1043">Resista/nm - Pg. 236 (WashPro)</p> 	

(Previous Name)

Pro

ProMax Intrepid/nm



FEATURES

- Fluorescent system provides energy savings up to 50% when compared to HID.
- Third party certified for operation in high ambient temperatures, up to 65°C (149°F).
- Multi voltage electronic ballast resistant to brownouts or voltage and frequency fluctuations.
- Stainless steel latches, mounting feet and lens retainers.
- Impact resistant, UV stabilized polycarbonate lens.
- Shoc♦Loc™ Bi-Pin spring loaded lamp holders for T5, T8 and T12 lamp types, provide superior resistance to shock and vibration.
- USDA compliant materials.
- Meets Canadian Processed Products Regulations C.R.C. c291.
- Neoprene gasket resists petroleum.
- Three lamp models are provided with (1) single lamp ballast and (1) two lamp ballast for independent switching or filter tube options.
- Optional self contained emergency battery backup ballasts.
- Optional long life T5 lamps available upon request (consult factory).

APPLICATIONS

- Marine and watertight requirements
- Dusttight requirements
- Waste water treatment plants
- Food & beverage processing facilities
- Pulp and paper production plants
- Corrosive environments

APPROVALS

- Type 4X
- IP66
- Marine Outside Type Saltwater
- ABS
- NSF

STANDARDS

- UL 1598A - Luminaires for Marine Vessels
- UL 924 - Emergency Lighting Equipment
- EN 60529 - Ingress Protection
- Canadian Processed Products Regulations C.R.C. c291
- CSA - C22.2 250 04
- CSA - C22.2 141
- NSF/ANSI 2-2007 Splash Zone

TECHNICAL SPECIFICATIONS

HOUSING

.080 inch thick minimum, fiberglass reinforced polyester.

LENS

0.090 inch thick, matte polycarbonate. Optional clear polycarbonate.

REFLECTOR

Type 5052H32 aluminum with an electrostatically applied white polyester powder coat finish. Minimum 90% reflectance.

GASKET

One piece neoprene.

MOUNTING

Stainless steel vibration dampening feet for ceiling, wall or chain mount. Kits available for uni-strut/rod and pole mount.

LATCHES

Stainless steel over the center cam.

LAMP HOLDERS

Spring loaded on one end for linear lamp types.

ENTRIES

Feed-through, one nonmetallic cable gland and one end plugged. See Special Options for other entries.

LAMP TYPES

See ORDERING REFERENCES. Lamps not provided.

BALLAST

120 to 277 volt 50/60Hz electronic, except F20 & F40 T12 Bi-Pin which are 120V 60Hz.

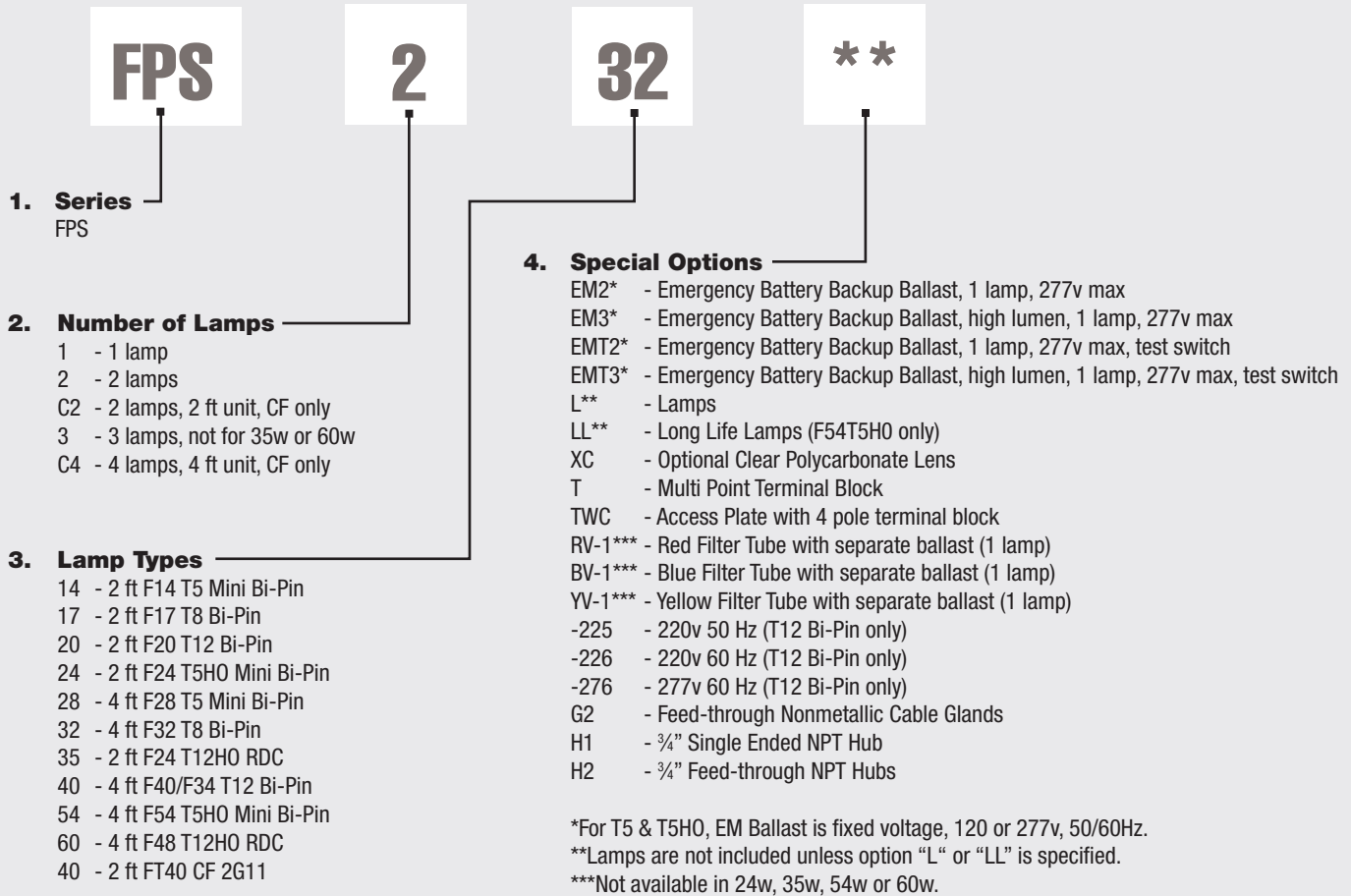
Lamp Wattage	Ballast/Socket Type	ANSI Lamp Code	Starting Temp	Maximum Ambient*	Supply Wire
17	T8 Bi-Pin G13	F17-T8	0°F / -18°C	55°C	90°C
32	T8 Bi-Pin G13	F32-T8	-20°F / -29°C	55°C	90°C
40	4 Pin 2G11	FT40 CF	0°F / -18°C	40°C	90°C
24/54	T5HO Mini Bi-Pin G5	F24/F54-T5HO	-20°F / -29°C	55°C	90°C
14/28	T5 Mini Bi-Pin G5	F14/F28-T5	0°F / -18°C	55°C	90°C
35/60	T12HO RDC R17d	F24/F48-T12HO	-20°F / -29°C	40°C	90°C

*Consult factory for optional higher ambient models.

EMERGENCY BATTERY BACKUP BALLAST

Optional, self contained 90 minute minimum for all lamp types. 120 minutes minimum for F32T8 one lamp. Starting temperature 32°F/0°C.

ORDERING REFERENCES



Notes:

1. Consult factory for options not listed.

COMMONLY ORDERED LUMINAIRES

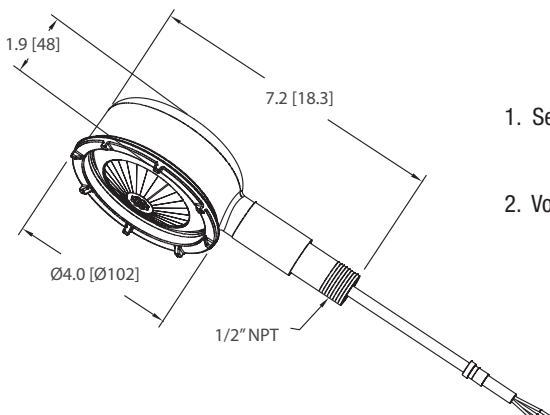
Part No.	Description	Weight	
		Lbs	Kg
FPS217	Fiberglass reinforced polyester 2 foot fixture 2 x F17 120-277v 50/60 Hz	9.0	4.0
FPS220	Fiberglass reinforced polyester 2 foot fixture 2 x F20 120v 60 Hz	10.1	4.6
FPS232	Fiberglass reinforced polyester 4 foot fixture 2 x F32 120-277v 50/60 Hz	17.0	7.7
FPS240	Fiberglass reinforced polyester 4 foot fixture 2 x F40/F34 120v 60 Hz	18.0	8.2
FPS260	Fiberglass reinforced polyester 4 foot fixture 2 x F48 120-277v 50/60 Hz	18.5	8.4
FPS317	Fiberglass reinforced polyester 2 foot fixture 3 x F17 120-277v 50/60 Hz	11.8	5.4
FPS320	Fiberglass reinforced polyester 2 foot fixture 3 x F20 120v 60 Hz	13.9	6.3
FPS332	Fiberglass reinforced polyester 4 foot fixture 3 x F32 120-277v 50/60 Hz	19.8	9.0
FPS340	Fiberglass reinforced polyester 4 foot fixture 3 x F40/F34 120v 60 Hz	21.8	9.9
FX2175	Matte Polycarbonate Lens with Gasket 2 foot	1.5	.68
FX2177	Matte Polycarbonate Lens with Gasket 4 foot	2.7	1.22
FX2163	Clear Polycarbonate Lens with Gasket 2 foot	1.5	.68
FX2165	Clear Polycarbonate Lens with Gasket 4 foot	2.7	1.22
FX8014A	Latches	.1	.05

ProMax Intrepid/nm

SPARE PARTS

Part No.	Description	Part No.	Description
FX5350	BALLAST 120-277V AC 50/60HZ, 1 x 14, F14T5	FX3567	LAMP, 54w, F54T5HO
FX5350	BALLAST 120-277V AC 50/60HZ, 1 x 28, F28T5	FX3577	LAMP, 54w, Long Life F54T5HO
FX5307	BALLAST 120-277V AC 50/60HZ, 1 x 24, F24T5HO	FX3528	LAMP, 17w, F17T8
FX5305	BALLAST 120-277V AC 50/60HZ, 1 x 54, F54T5HO	FX3527	LAMP, 32w, F32T8
FX5174	BALLAST 120-277V AC 50/60HZ, 1 x 17, F17T8	FX3506	LAMP, 20w, F20T12
FX5221	BALLAST 120-277V AC 50/60HZ, 1 x 32, F32T8	FX3517	LAMP, 34w, F40T12/ES
FX5334	BALLAST 120-277V AC 50/60HZ, 1 x 35, F24T12HO	FX3504	LAMP, 40w, F40T12
FX5334	BALLAST 120-277V AC 50/60HZ, 1 x 60, F48T12HO	FX3507	LAMP, 35w, F24T12HO
FX5272	BALLAST 120-277V AC 50/60HZ, 1 X 40 CF, FT40 2G11	FX3505	LAMP, 60w, F48T12HO
FX5350	BALLAST 120-277V AC 50/60HZ, 2 x 14, F14T5	FX3533	LAMP, 40w CF, FT40 2G11
FX5350	BALLAST 120-277V AC 50/60HZ, 2 x 28, F28T5	FX8014A	LATCH
FX5307	BALLAST 120-277V AC 50/60HZ, 2 x 24, F24T5HO	FX8050	1/4" FASTENER
FX5305	BALLAST 120-277V AC 50/60HZ, 2 X 54, F54T5HO	GKT6106-69	LENS GASKET, 2 ft. models
FX5340	BALLAST 120-277V AC 50/60HZ, 2 x 17, F17T8	GKT6106-117	LENS GASKET, 4 ft. models
FX5340	BALLAST 120-277V AC 50/60HZ, 2 x 32, F32T8	FX4008	LAMP HOLDER, 17w, 20w, 24w, 32w, 40w & 54w Stationary
FX5334	BALLAST 120-277V AC 50/60HZ, 2 x 35, F24T12HO	FX4009	LAMP HOLDER, 17w, 20w, 24w, 32w, 40w & 54w Spring
FX5334	BALLAST 120-277V AC 50/60HZ, 2 x 60, F48T12HO	FX4008SET	LAMP HOLDER, Set (1 ea. FX4008, FX4009)
FX5272	BALLAST 120-277V AC 50/60HZ, 2 x 40 CF, FT40 2G11	FX4004	LAMP HOLDER, 35w & 60w Stationary
FX5009	BALLAST 120V 60HZ, 1 x 20, F20T12	FX4005	LAMP HOLDER, 35w & 60w Spring
FX5326	BALLAST 120V 60HZ, 1 X 34, F34T12	FX4004SET	LAMP HOLDER, Set (1 ea. FX4004, FX4005)
FX5326	BALLAST 120V 60HZ, 1 x 40, F40T12	FX4043	LAMP HOLDER, 40w CF
FX5001	BALLAST 120V 60HZ, 2 x 20, F20T12	FX2175	MATTE POLYCARBONATE LENS (with Gasket), 2 ft. models
FX5004	BALLAST 120V 60HZ, 2 X 34, F34T12	FX2177	MATTE POLYCARBONATE LENS (with Gasket), 4 ft. models
FX5004	BALLAST 120V 60HZ, 2 x 40, F40T12	FX2163	CLEAR POLYCARBONATE LENS (with Gasket), 2 ft. models
FX5135U	EMERGENCY BATTERY BACKUP BALLAST, EM2/EMT2, 120-277V for T8, T8HO, T12, T12HO & CF	FX2165	CLEAR POLYCARBONATE LENS (with Gasket), 4 ft. models
FX5316	EMERGENCY BATTERY BACKUP BALLAST, EM2/EMT2/EM3/EMT3, 120 or 277V for T5 & T5HO	CX1517	CABLE GLAND, 3/4" NPT non metallic
FX5095U	EMERGENCY BATTERY BACKUP BALLAST, EM3/EMT3, 120-277V for T8, T8HO, T12, T12HO & CF	FX8066	3/4" WATERTIGHT PLASTIC PLUG
FX3573	LAMP, 14w, F14T5	FX2193RED	FILTER TUBE, Red 17w T8
FX3574	LAMP, 28w, F28T5	FX2192RED	FILTER TUBE, Red 20w T12
FX3568	LAMP, 24w, F24T5HO	FX2195RED	FILTER TUBE, Red 32w T8
		FX2194RED	FILTER TUBE, Red 34w T12
		FX2192BLU	FILTER TUBE, Blue 20w T12

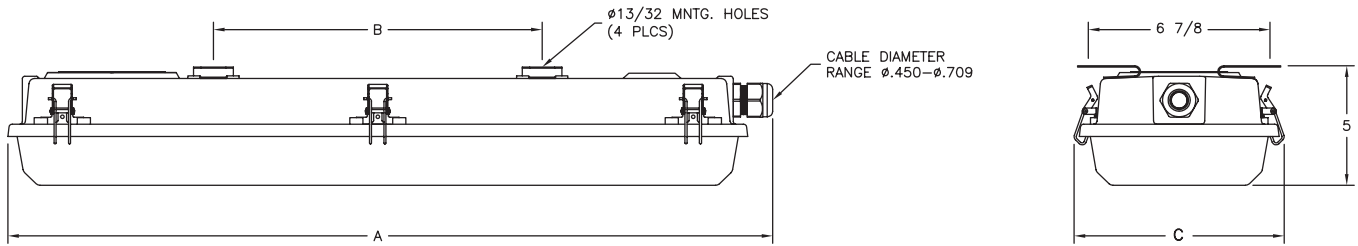
OCCUPANCY SENSOR KIT



Example: HBOS 35 M S

- Series
HBOS
- Voltage
33 – 208/240 VAC
34 – 347/480 VAC
35 – 120/277 VAC
- Lens Type
N – Narrow Linear Pattern Aisle Way Lens
M – Medium range 24 ft coverage, 20 ft mounting height
W – Wide range 68 ft coverage, 40 ft mounting height
- Extension Attachment Material
A – Aluminum
S – Stainless Steel

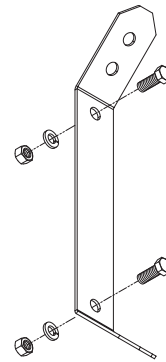
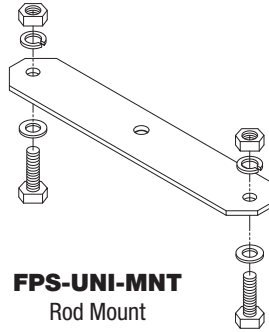
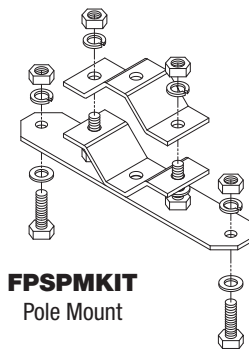
DIMENSIONS



Nominal Length	Dimensions in Inches / Centimeters			Carton W x D x L Inches	Nominal Weight	
	A	B	C		Lbs	Kg
2 Foot	28.8 / 73.7	12.44 / 31.59	7.625 / 19.4	$8\frac{3}{4} \times 6\frac{1}{4} \times 31\frac{7}{8}$	9	4.0
4 Foot	52.8 / 134.6	36.56 / 92.87	7.625 / 19.4	$8\frac{1}{2} \times 6 \times 56\frac{1}{16}$	17	7.7

MOUNTING OPTIONS

MOUNTING KITS



Pro

ProMax Versa/nm



FEATURES

- Fluorescent system provides energy savings up to 50% when compared to HID.
- Third party certified for operation in high ambient temperatures, up to 65°C (149°F).
- Multi voltage electronic ballast resistant to brownouts or voltage and frequency fluctuations.
- Continuous form-in-place closed cell gasket and field replaceable lens.
- Feed-through design or optional pendant hub design.
- USDA compliant materials.
- Meets Canadian Processed Products Regulations C.R.C. c291.
- Full steel interior channel assembly reinforces hub entry and provides continuous ground.
- Optional self contained emergency battery backup ballasts.
- Optional long life T5 lamps available upon request (consult factory).

APPLICATIONS

- Mid & low bay
- Wet environments
- Food & beverage processing facilities
- Waste water treatment plants
- Storage areas

APPROVALS

- Enclosed & Gasketed
- Type 3R
- NSF

STANDARDS

- UL 1598 - Luminaires
- UL 924 - Emergency Lighting Equipment
- CSA - C22.2 250 04
- Canadian Processed Products Regulations C.R.C. c291
- CSA - C22.2 141
- NSF/ANSI 2-2007 Splash Zone

TECHNICAL SPECIFICATIONS

HOUSING

Fiberglass reinforced polyester.

LENS

Matte acrylic. Optional matte polycarbonate.

REFLECTOR

Steel with a white gloss finish.

GASKET

Permanently mounted closed cell neoprene.

MOUNTING

Various stainless steel mounting options.

LATCHES

Non-metallic. Optional stainless steel.

LAMP HOLDERS

Spring loaded on HO models. Industrial grade high temperature PBT locking sockets on RS models.

ENTRIES

Feed-through clearance holes with two 1/2" NPT hubs, one on each end.

LAMP TYPES

See ORDERING REFERENCES. Lamps not provided.

BALLAST

120 to 277 volt 50/60Hz electronic.

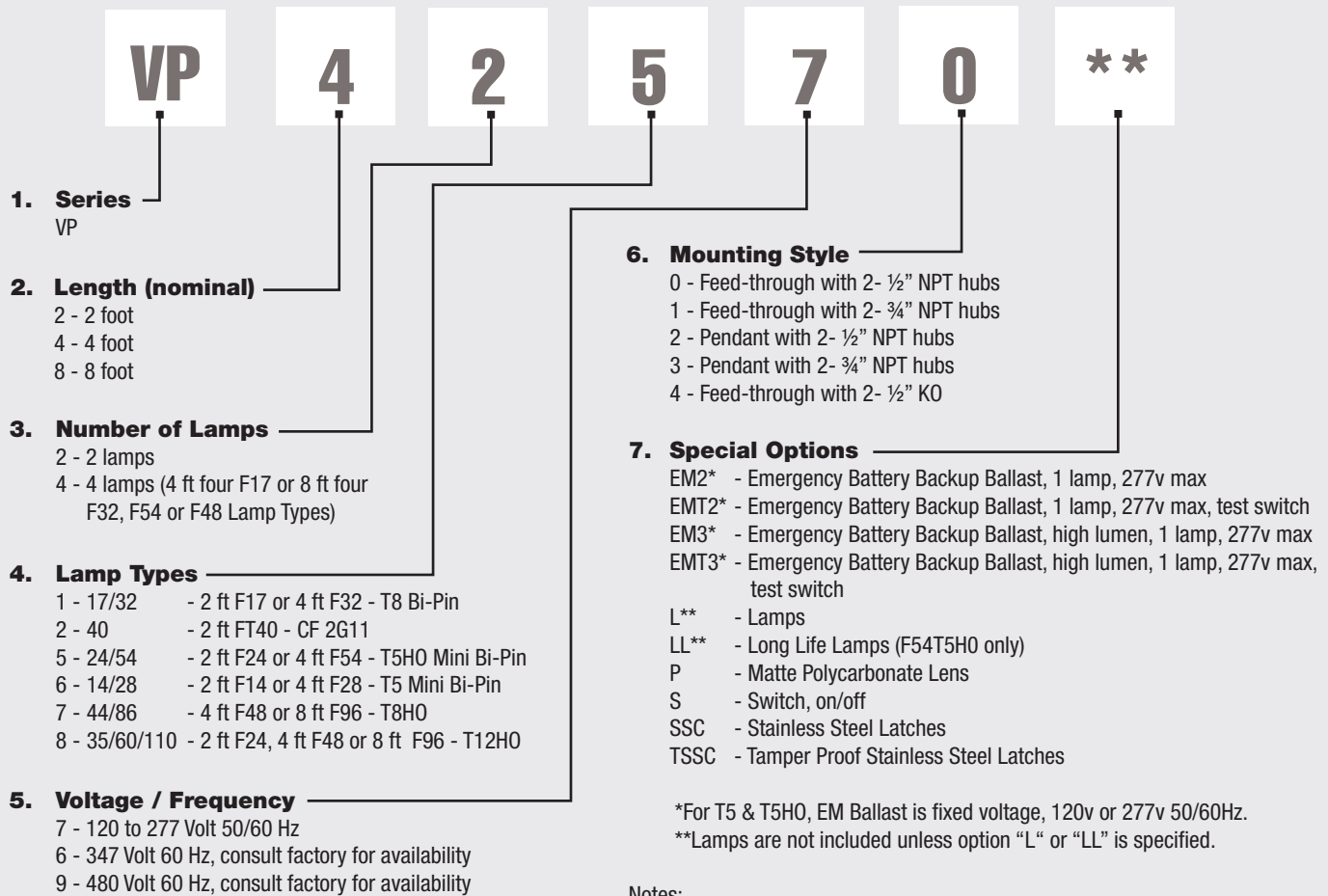
Lamp Wattage	Ballast/Socket Type	ANSI Lamp Code	Starting Temp	Maximum Ambient*	Supply Wire
17	T8 Bi-Pin G13	F17-T8	0°F / -18°C	55°C	90°C
32	T8 Bi-Pin G13	F32-T8	-20°F / -29°C	55°C	90°C
40	4 Pin 2G11	FT40-CF	0°F / -18°C	40°C	90°C
24/54	T5HO Mini Bi-Pin G5	F24/F54-T5HO	-20°F / -29°C	55°C	90°C
14/28	T5 Mini Bi-Pin G5	F14/F28-T5	0°F / -18°C	55°C	90°C
44/86	T8HO RDC R17d	F48/F96-T8HO	-20°F / -29°C	40°C	90°C
35/60/110	T12HO RDC R17d	F24/F48/F96-T12HO	-20°F / -29°C	40°C	90°C

*Consult factory for optional higher ambient models.

EMERGENCY BATTERY BACKUP BALLAST

Optional, self contained 90 minute minimum for all lamp types. 120 minutes minimum for F32T8 one lamp. Starting temperature 32°F/0°C.

ORDERING REFERENCES



Notes:

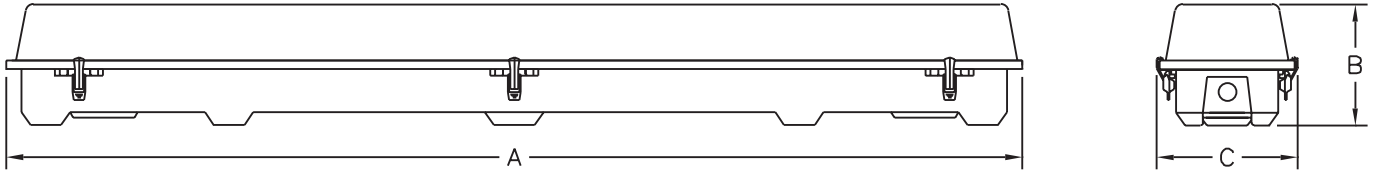
1. Consult factory for options not listed.

SPARE PARTS

Part No.	Description
FX5350	BALLAST 120-277V 60HZ, 2 x 14, F14T5
FX5350	BALLAST 120-277V 60HZ, 2 x 28, F28T5
FX5307	BALLAST 120-277V 60HZ, 2 x 24, F24T5HO
FX5305	BALLAST 120-277V 60HZ, 2 x 54, F54T5HO
FX5340	BALLAST 120-277V 60HZ, 2 x 17, F17T8
FX5340	BALLAST 120-277V 60HZ, 2 x 32, F32T8
FX5349	BALLAST 120-277V 60HZ, 2 x 44, F48T8HO
FX5369	BALLAST 120-277V 60HZ, 2 x 86, F96T8HO
FX5334	BALLAST 120-277V 60HZ, 2 x 35, F24T12HO
FX5338	BALLAST 120-277V 60HZ, 2 x 60, F48T12HO
FX5338	BALLAST 120-277V 60HZ, 2 x 110 F96T12HO
FX5272	BALLAST 120-277V 60HZ, 2 x 40 CF, FT40 2G11
FX5135U	EMERGENCY BATTERY BACKUP BALLAST, EM2/EMT2, 120-277V for CF, T8, T12 & T12HO
FX5195U	EMERGENCY BATTERY BACKUP BALLAST, EM3/EMT3, 120-277V for CF, T8, T12 & T12HO
FX5316	EMERGENCY BATTERY BACKUP BALLAST, EMT2, 120-277V for T5 & T5HO
FX5316	EMERGENCY BATTERY BACKUP BALLAST, EMT3, 120-277V for T5 & T5HO
FX3573	LAMP, 14w, F14T5
FX3574	LAMP, 28w, F28T5
FX3568	LAMP, 24w, F24T5HO
FX3567	LAMP, 54w, F54T5HO
FX3577	LAMP, 54w, Long Life F54T5HO
FX3528	LAMP, 17w, F17T8
FX3527	LAMP, 32w, F32T8
FX3565	LAMP, 44w, F48T8HO
FX3566	LAMP, 86w, F96T8HO
FX3507	LAMP, 35w, F24T12HO
FX3505	LAMP, 60w, F48T12HO
FX3523	LAMP, 110w, F96T12HO
FX3533	LAMP, 40w CF, FT40 2G11
008-4000	LENS, deep acrylic, 4 ft, HO model
008-8000	LENS, deep acrylic, 8 ft models
008-4100	LENS, shallow acrylic, 4 ft model, except HO
008-2100	LENS, shallow acrylic, 2 ft models
758-0700	LAMP HOLDER, RDC, fixed for HO models
758-0701	LAMP HOLDER, RDC, spring loaded for HO models
754-8701	LAMP HOLDER, Bi-Pin, T8 / T12 models
752-6050	LAMP HOLDER, 2G11 CF models
758-0005	LAMP HOLDER, T5 Fixed & Spring set
752-5766	LAMP SUPPORT, 2G11 CF models
755-0314	LAMP HOLDER, Single Pin, fixed
755-0315	LAMP HOLDER, Single Pin, spring loaded
008-0601	LENS LATCHES, non-metallic
360-0500	HUB, standard 1/2" NPT
350-0500	PLUG, standard 1/2" NPT

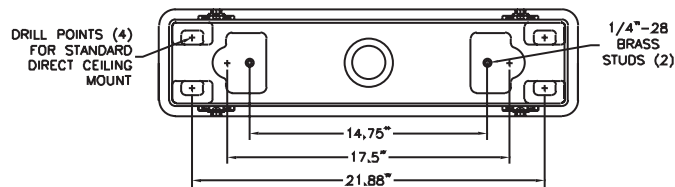
ProMax **Versa**/nm

DIMENSIONS

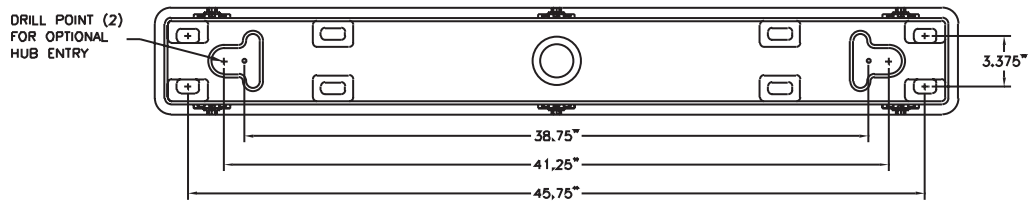


Nominal Length	Dimensions in Inches / Centimeters			Carton L x W x D Inches	Nominal Weight	
	A	B	C		Lbs	Kg
2 Foot Models	25.8 / 65.6	5.0 / 12.7	7.0 / 17.78	8¾ x 6¼ x 31⅞	8.5	3.9
4 Foot T5 & T8 Models	49.81 / 126.5	5.0 / 12.7	7.0 / 17.78	8½ x 6 x 56⅞	12.0	5.4
4 Foot H0 Models	49.81 / 126.5	5.4 / 13.72	7.0 / 17.78	8½ x 6 x 56⅞	16.0	7.3
8 Foot Models	97.81 / 248.4	5.4 / 13.72	7.0 / 17.78	8 x 8 x 99¼	32.0	14.5

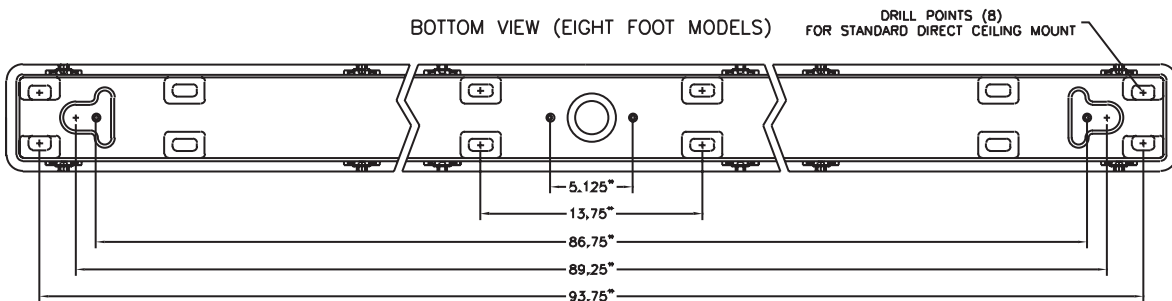
BOTTOM VIEW (TWO FOOT MODELS)



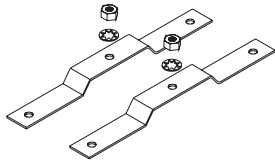
BOTTOM VIEW (FOUR FOOT MODELS)



BOTTOM VIEW (EIGHT FOOT MODELS)

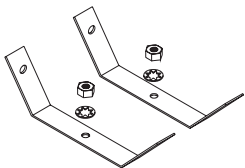
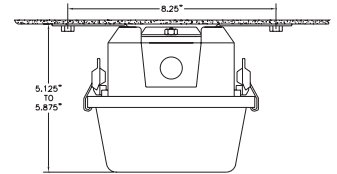
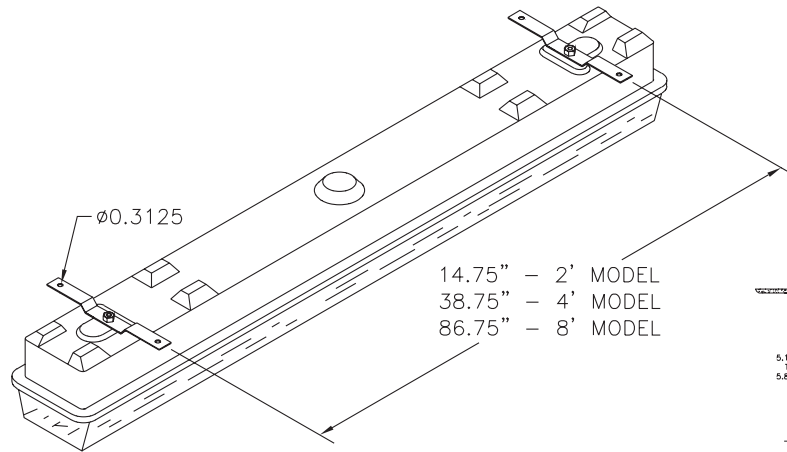


MOUNTING OPTIONS



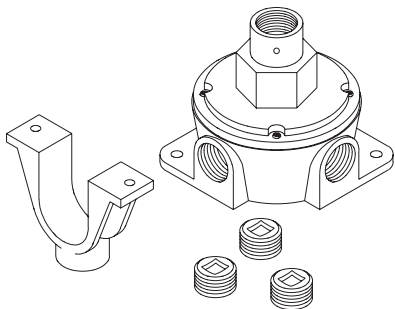
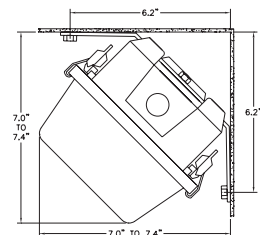
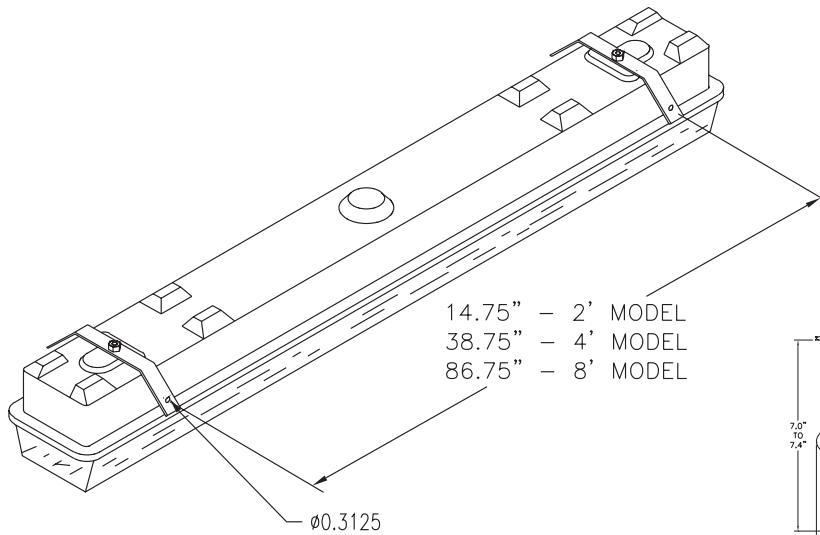
VP1091MTK

Fixed ceiling / wall mounting kit.
 2 stainless steel brackets & hardware
 to mount brackets to fixture.



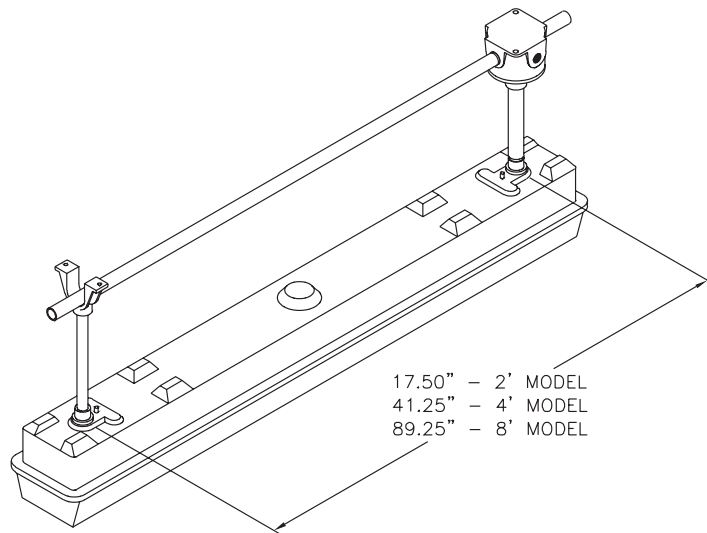
VP1093MTK

Fixed corner mounting kit.
 2 stainless steel brackets &
 hardware to mount brackets to
 fixture.



HP1095MTK

Pendant mounting kit.
 1 saddle strap and 1 universal junction box &
 pendant cover ($\frac{3}{4}$ " NPT).



Pro

ProMax Resista/nm



FEATURES

- High output luminaire, up to 30,000 raw lumens.
- Fluorescent system provides energy savings up to 50% when compared to HID.
- Third party certified for operation in high ambient temperatures, up to 55°C (131°F).
- Multi voltage electronic ballast resistant to brownouts or voltage and frequency fluctuations.
- Hose tested at 1500 PSI for 60 minute duration, at 5 feet and 10 feet distance, nozzle dispersion 0 degree.
- USDA compliant materials.
- Meets Canadian Processed Products Regulations C.R.C. c291.
- Polybutylene Terephthalate (PBT) end cap provides the broadest range of chemical resistance.
- Field replaceable silicone gasket adhered in end cap.
- Options include: Stainless steel end caps, quick disconnect receptacle, stainless steel quick disconnect straps and center stud mount end caps.
- Optional self contained emergency battery backup ballasts.
- Emergency models feature EM markings or red end caps (center stud models only).
- Optional long life T5 lamps available upon request (consult factory).

APPLICATIONS

- High, mid & low bay
- High pressure hose down areas
- Watertight requirements
- Dusttight requirements
- Food & beverage processing facilities
- Waste water treatment plants
- Pulp & paper production

APPROVALS

- Enclosed & Gasketed
- Type 4
- Conforms to IP66
- NSF

STANDARDS

- UL 924 - Emergency Lighting Equipment
- UL 1598 - Luminaires
- CSA - Class 3425 03
- Canadian Processed Products Regulations C.R.C. c291
- CSA - Class 3425 83
- NSF/ANSI 2-2007 Food Contact (WPS version)
- NSF/ANSI 2-2007 Splash Zone

TECHNICAL SPECIFICATIONS

HOUSING/LENS

End caps polybutylene terephthalate (PBT) or stainless steel, optional polycarbonate center stud. Clear, impact resistant, acrylic lens.

HARDWARE

External hardware stainless steel.

REFLECTOR

Extruded aluminum assembly, coated gloss white.

GASKETS

One piece silicone.

MOUNTING

Cable, fixed, nylon coated suspended cable, wall mount, or stainless steel straps. Other options available, see MOUNTING OPTIONS.

LAMP HOLDERS

Locking sockets on Bi-Pin models made of industrial grade high temperature PBT. Spring loaded polycarbonate sockets on all HO models.

ENTRIES

Single or feed-through ½" NPT.

LAMP TYPES

See ORDERING REFERENCES. Lamps not provided.

BALLAST

120 to 277 volt 50/60Hz electronic.

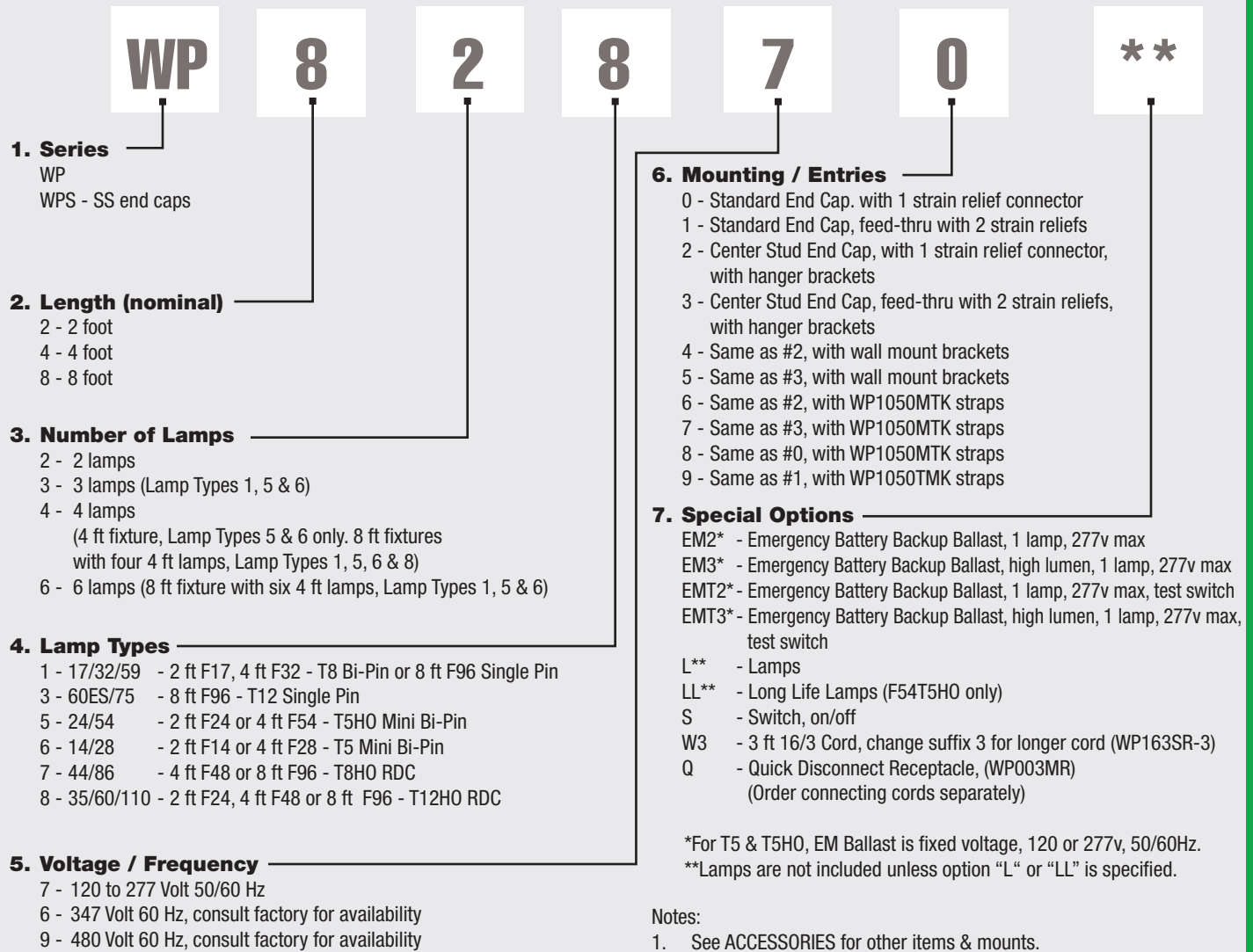
Lamp Wattage	Ballast/Socket Type	ANSI Lamp Code	Starting Temp	Maximum Ambient*	Supply Wire
17	T8 Bi-Pin G13	F17-T8	0°F / -18°C	55°C	90°C
32	T8 Bi-Pin G13	F32-T8	-20°F / -29°C	55°C	90°C
24/54	T5HO Mini Bi-Pin G5	F24/F54-T5HO	-20°F / -29°C	40°C	90°C
14/28	T5 Mini Bi-Pin G5	F14/F28-T5	0°F / -18°C	40°C	90°C
44/86	T8HO RDC R17d	F48/F96-T8HO	-20°F / -29°C	40°C	90°C
35/60/110	T12HO RDC R17d	F24/F48/F96-T12HO	-20°F / -29°C	40°C	90°C

*Consult factory for optional higher ambient models.

EMERGENCY BATTERY BACKUP BALLAST

Optional, self contained 90 minute minimum for all lamp types. 120 minutes minimum for F32T8 one lamp. Starting temperature 32°F/0°C.

ORDERING REFERENCES



Notes:

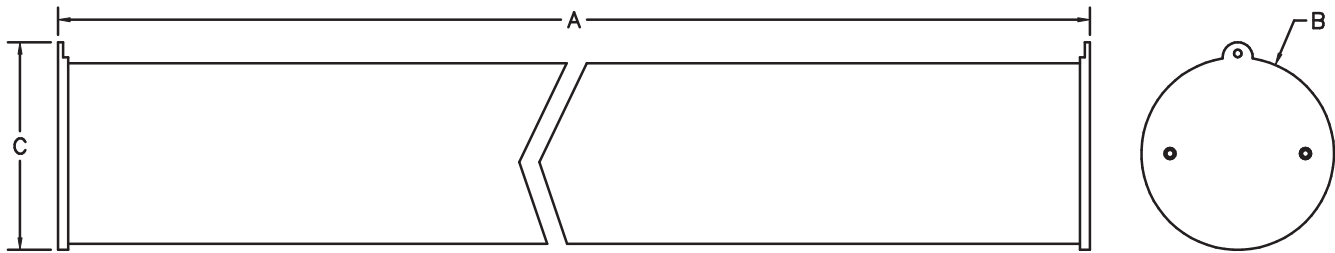
1. See ACCESSORIES for other items & mounts.
2. Consult factory for options not listed above.

SPARE PARTS

Part No.	Description	Part No.	Description	Part No.	Description
FX5350	BALLAST 120-277V, 60Hz 2 x 14, F14T5	FX3574	LAMP, 28w,	370-0104	GASKET, O-ring for stud
FX5350	BALLAST 120-277V, 60Hz 2 x 28, F28T5	FX3568	LAMP, 24w, F24T5HO	312-0703	STUD, SS secures end cap to inner channel
FX5307	BALLAST 120-277V, 60Hz 2 x 24, F24T5HO	FX3567	LAMP, 54w, F54T5HO	370-0155	GASKET, cord connector or optional receptacle
FX5305	BALLAST 120-277V, 60Hz 2 x 54, F54T5HO	FX3528	LAMP, 17w, F54T5HO	355-0538	CONNECTOR, cord strain relief, 1/2" NPT non-metallic
FX5340	BALLAST 120-277V, 60Hz 2 x 17, F54T5HO	FX3527	LAMP, 32w, F32T8	007-4000	TUBE, acrylic, 4 ft. models
FX5340	BALLAST 120-277V, 60Hz 2 x 32, F32T8	FX3572	LAMP, 59w, F96T8	007-8000	TUBE, acrylic, 8 ft. models
FX5322	BALLAST 120-277V, 60Hz 2 x 59, F96T8	FX3565	LAMP, 44w, F48T8HO	007-2000	TUBE, acrylic, 2 ft. models
FX5349	BALLAST 120-277V, 60Hz 2 x 44, F48T8HO	FX3566	LAMP, 86w, F96T8HO	007-1050	END CAP, electrical end (1/2" NPT hub)
FX5369	BALLAST 120-277V, 60Hz 2 x 86, F96T8HO	FX3576	LAMP, 60w ES, F96T12ES	007-1000	END CAP, non-electrical end
FX5062	BALLAST 120-277V, 60Hz 2 x 60ES, F96T12ES	FX3523	LAMP, 75w, F96T12	FX6091EN	END CAP, center stud, electrical end (1/2" NPT hub)
FX5062	BALLAST 120-277V, 60Hz 2 x 75, F96T12	FX3507	LAMP, 35w, F24T12HO	FX6091BN	END CAP, center stud, non-electrical end
FX5334	BALLAST 120-277V, 60Hz 2 x 35, F24T12HO	FX3505	LAMP, 60w, F48T12HO	FX6841 WPSET	END CAPS, stainless steel
FX5334	BALLAST 120-277V, 60Hz 2 x 60, F48T12HO	FX3550	LAMP, 110w, F96T12HO	FX6841 FFSET	END CAPS, center stud, stainless steel,
FX5338	BALLAST 120-277V, 60Hz 2 x 110, F96T12HO	758-0464	LAMP HOLDER, RDC, spring loaded, HO models	FX6091 SETEM	END CAPS, center stud red (for EM models)
FX5135U	EMERGENCY BATTERY BACKUP BALLAST, EM2/ EMT2, 120-277V for T8, T8HO, T12 & T12HO	758-0465	LAMP HOLDER, RDC, fixed, HO models	007-1500	GASKET, O-ring for either end cap
FX5316	EMERGENCY BATTERY BACKUP BALLAST, EM2/ EMT2/EM3/EMT3, 120 or 277V for T5 & T5HO	754-8701	LAMP HOLDER, Bi-Pin, T8 & T12 models		
FX5095U	EMERGENCY BATTERY BACKUP BALLAST, EM3/ EMT3, 120-277V for T8, T8HO, T12 & T12HO	752-0002	LAMP HOLDER, fixed, T5		
FX3573	LAMP, 14w, F14T5	755-0214	LAMP HOLDER, Single Pin, fixed		
		755-2015	LAMP HOLDER, Single Pin, spring loaded		
		312-0104	NUT, stainless steel closed end		

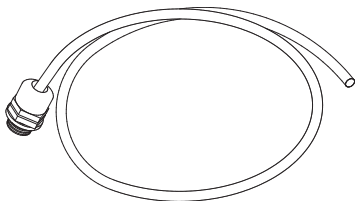
ProMax **Resista**/nm

DIMENSIONS



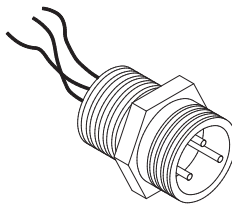
Nominal Length	Dimensions in Inches / Centimeters			Carton W x D x L Inches	Nominal Weight	
	A	B	C		Lbs	Kg
2 Foot	25.0 / 63.5	6.4 / 16.3	7.03 / 17.86	8¾ x 6¼ x 31⅞	12.4	5.6
4 Foot	49.0 / 124.5	6.4 / 16.3	7.03 / 17.86	8 x 8 x 51¼	20.3	9.2
8 Foot	97.0 / 246.4	6.4 / 16.3	7.03 / 17.86	8 x 8 x 99¼	36.1	16.4

ACCESSORIES



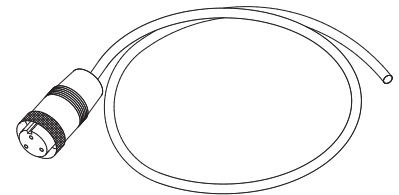
WP163SR-6

Cord assembly - strain relief connector and 6 feet of #16/3 cable. If longer cable required change suffix "6" to length needed.



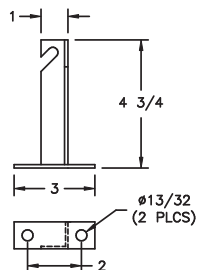
WP003MR

Quick disconnect receptacle. Required when #WP163FP-6 is used.



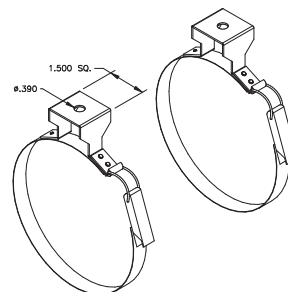
WP163FP-6

Cord assembly - molded plug & 6 feet of #16/3 cable. If longer cable required change suffix "6" to length needed.



FX7090 - Wall Mount Bracket

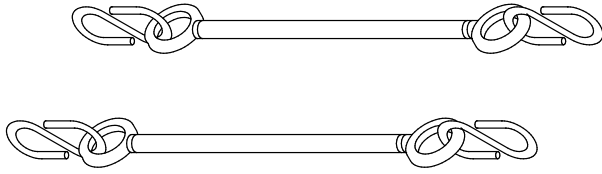
For Center Stud end caps.



WP1050MTK

2 Quick Release Stainless steel straps. Included with MOUNTINGS 6, 7, 8 & 9.

MOUNTING OPTIONS

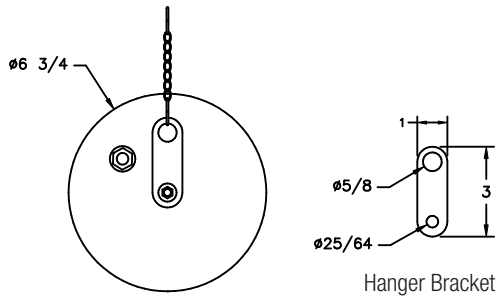
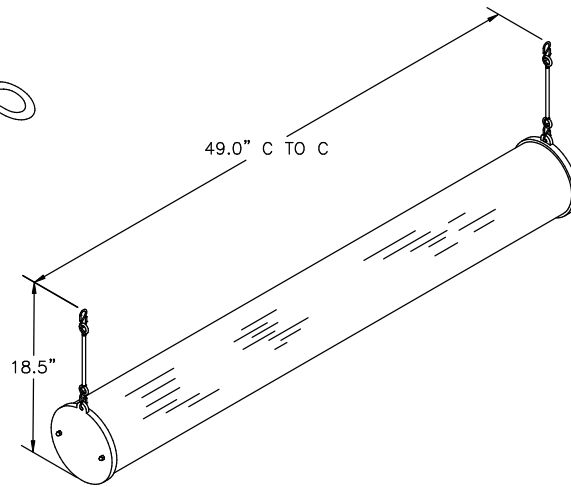


WP1012MTK

Suspended cable kit.

2 - 12" nylon coated stainless steel cables with crimped on loops & 2 - "S" hooks.

If longer cable required change "12" in part number to required length.



Hanger Bracket

CENTER STUD END CAP

Center Stud end caps include hanger bracket and stainless steel chain mount. MOUNTINGS 2 & 3.

Pro

ProGuard **Exacta**/nm



FEATURES

- Available in 150w incandescent or 18w, 26w and 32w compact fluorescent.
- High temperature silicone gasket provides a watertight seal.
- Watertight mounting in any direction.
- USDA compliant materials.
- Meets Canadian Processed Products Regulations C.R.C. c291.
- Optional polymeric or stainless steel guards.
- A wide variety of globe materials and colors.



CHS Controls AB
Tel +46 42 38 61 00, Fax +46 42 38 61 29
chs@chscontrols.se www.chscontrols.se

APPLICATIONS

- Ceiling, pendant and wall mount types
- Marine and watertight requirements
- Dusttight requirements
- Pharmaceutical & additives formulation & processing
- Waste water treatment plants
- Food and beverage processing facilities
- Pulp & paper production
- Temporary lighting

APPROVALS

- Enclosed & Gasketed
- Type 4
- Conforms to IP66
- NSF

STANDARDS

- UL 1598 - Luminaires
- CSA - C22.2 250 04
- CSA - C22.2 141
- NSF/ANSI 2-2007 Splash Zone
- Canadian Processed Products Regulations C.R.C. c291

TECHNICAL SPECIFICATIONS

HOUSING & GLOBE BASE

Reinforced polyethylene terephthalate (PET).

GUARD

Nylon 6/6 or stainless steel wire.

HARDWARE

Stainless steel.

ENTRIES

Four 3/4" NPT knockouts on ceiling and wall versions. One 3/4" NPT outlet on pendant version.

GASKET

One piece silicone.

MOUNTING

Ceiling, pendant or wall.

LAMP HOLDER

Incandescent, medium base porcelain. Compact fluorescent, polycarbonate.

GLOBE

Glass, tempered glass or polycarbonate.

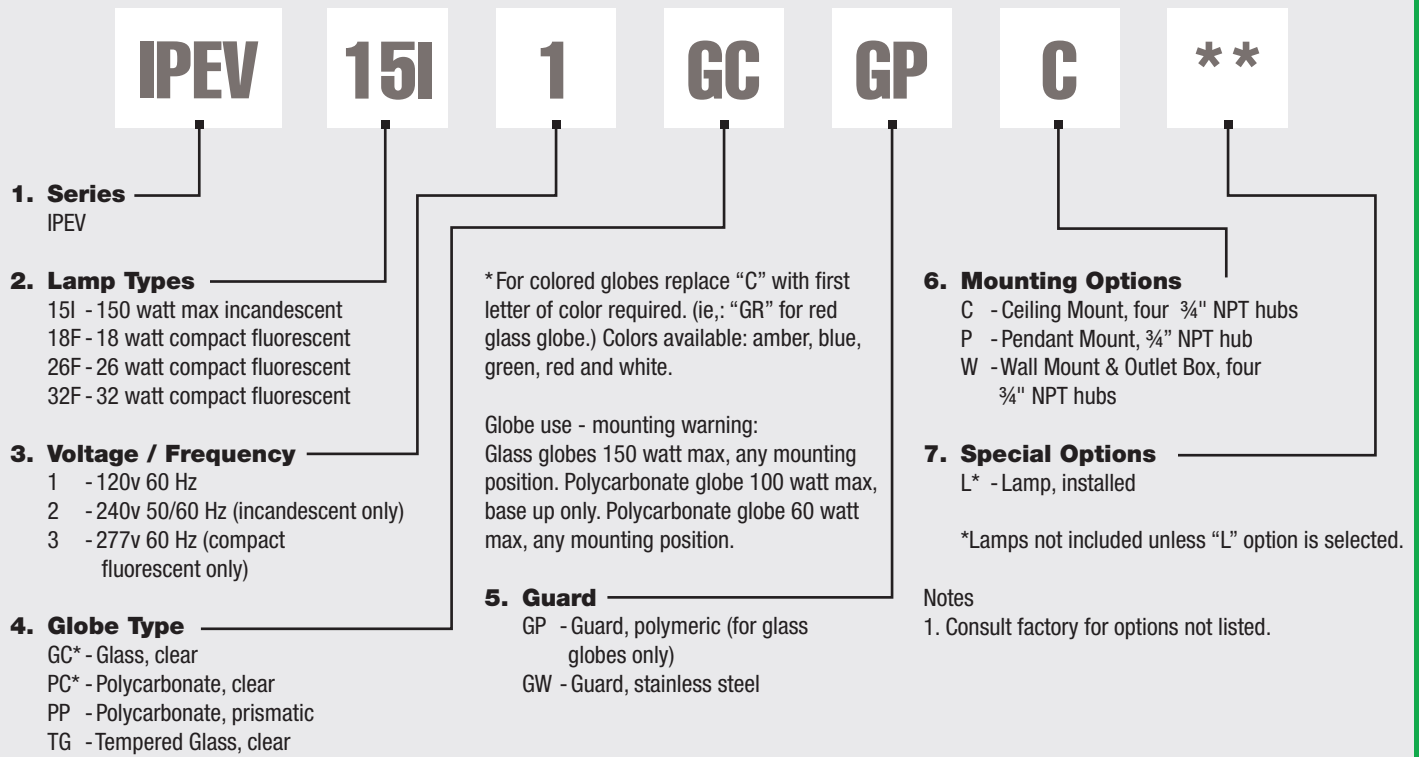
LAMP TYPES

Incandescent or 4-pin compact fluorescent. Lamps not provided.

VOLTAGE

Incandescent 240v maximum. Compact fluorescent 120v or 277v.

ORDERING REFERENCES



COMMONLY ORDERED LUMINAIRES

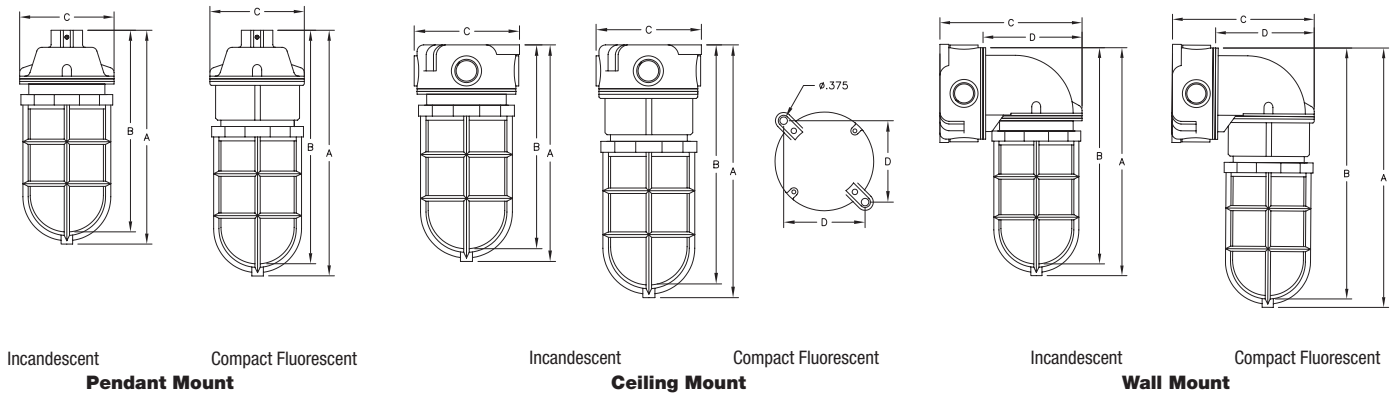
Part No.	Mounting	Lamp Type	Lamp Wattage	Lbs	Kg	Shipping Volume
IPE V15I 1GC GP P	PENDANT	Incandescent	150	2.5	1.15	0.5 ft ³
IPE V18F 1GC GP P	PENDANT	Compact Fluorescent	18	3.0	1.35	0.8 ft ³
IPE V26F 1GC GP P	PENDANT	Compact Fluorescent	26	3.0	1.35	0.8 ft ³
IPE V32F 1GC GP P	PENDANT	Compact Fluorescent	32	3.0	1.35	0.8 ft ³
IPE V15I 1GC GP C	CEILING	Incandescent	150	2.9	1.30	0.5 ft ³
IPE V18F 1GC GP C	CEILING	Compact Fluorescent	18	3.4	1.55	0.8 ft ³
IPE V26F 1GC GP C	CEILING	Compact Fluorescent	26	3.4	1.55	0.8 ft ³
IPE V32F 1GC GP C	CEILING	Compact Fluorescent	32	3.4	1.55	0.8 ft ³
IPE V15I 1GC GP W	WALL	Incandescent	150	3.5	1.60	0.5 ft ³
IPE V18F 1GC GP W	WALL	Compact Fluorescent	18	4.1	1.95	0.8 ft ³
IPE V26F 1GC GP W	WALL	Compact Fluorescent	26	4.1	1.95	0.8 ft ³
IPE V32F 1GC GP W	WALL	Compact Fluorescent	32	4.1	1.95	0.8 ft ³

ProGuard **Exacta/nm**

SPARE PARTS

Part No.	Description	Part No.	Description
FX4030	LAMP HOLDER, 18w CF	P100C	GLOBE, Clear Polycarbonate
FX4034	LAMP HOLDER, 26w CF	FX5206	BALLAST, 120v, 18w CF
FX4034	LAMP HOLDER, 32w CF	FX5206	BALLAST, 120v, 26w CF
INX755-0930	LAMP HOLDER, Incandescent	FX5206	BALLAST, 120v, 32w CF
INX2007CLR	GLASS GLOBE, Clear	FX3552	LAMP, 18w CF
INX2007RED	GLASS GLOBE, Red	FX3553	LAMP, 26w CF
INX2007GRN	GLASS GLOBE, Green	FX3554	LAMP, 32w CF
INX2007BLU	GLASS GLOBE, Blue	INX3558	LAMP, 150w Incandescent
INX2007YEL	GLASS GLOBE, Amber	INXGP150	GUARD, Polymeric
INX2007HR	GLASS GLOBE, Tempered Glass (HR)	INXGW150	GUARD, Stainless Steel
		GKT101-0002	GASKET, Junction Box

DIMENSIONS







Mount	Pendant Mount		Ceiling Mount		Wall Mount	
	Incandescent	Compact Fluorescent	Incandescent	Compact Fluorescent	Incandescent	Compact Fluorescent
Type						
A	10.25 (26.0)	12.00 (30.5)	10.00 (25.4)	11.75 (29.8)	11.25 (28.6)	13.00 (33.0)
B	9.50 (24.1)	11.25 (28.6)	9.25 (23.5)	11.00 (27.9)	10.5 (26.7)	12.25 (31.1)
C	4.50 (11.4)	4.50 (11.4)	4.62 (11.7)	4.62 (11.7)	7.50 (19.1)	7.50 (19.1)
D	--	--	3.75 (9.5)	3.75 (9.5)	5.125 (13.0)	5.125 (13.0)

Dimensions are in inches (cm).

NON METALLIC

Hazardous Area Certified Lighting

HazMax Linear Fluorescent	HazGuard Globe & Guard
<p>Intrepid/nm - Pg. 244 (FPSD2/SeaPro)</p> 	<p>Exacta/nm - Pg. 256 (IP-Exacta)</p> 
<p>Versa/nm - Pg. 248 (VersaPro)</p> 	
<p>Resista/nm - Pg. 252 (WashPro)</p> 	

(Previous Name)

Haz

HazMax Intrepid/nm



FEATURES

- Fluorescent system provides energy savings up to 50% when compared to HID.
- Third party certified for operation in high ambient temperatures, up to 65°C (149°F).
- Multi voltage electronic ballast resistant to brownouts or voltage and frequency fluctuations.
- Stainless steel latches, mounting feet and lens retainers.
- Impact resistant UV stabilized polycarbonate lens.
- Shoc♦Loc™ Bi-Pin spring loaded lamp holders for T5, T8 and T12 lamp types, provide superior resistance to shock and vibration.
- USDA compliant materials.
- Meets Canadian Processed Products Regulations C.R.C. c291.
- Neoprene gasket resists petroleum.
- Three lamp models are provided with (1) single-lamp ballast and (1) two-lamp ballast for independent switching.
- Optional self contained emergency battery backup ballasts.
- Optional certified test switch on emergency models.
- Optional long life T5 lamps available upon request (consult factory).

APPLICATIONS

- Hazardous locations
- Marine and watertight requirements
- Dusttight requirements
- Oil and gas exploration and production
- Petrochemical facilities
- Waste water treatment plants
- Food & beverage processing facilities

APPROVALS

- Class I Division 2 - Groups A, B, C, & D
- Class I Zone 2 - Groups IIA, IIB & IIC
- Class II Division 2 - Groups F & G
- Class III, Type 4 Enclosure
- Type 4X
- IP66
- Marine Outside Type Saltwater
- ABS
- NSF

STANDARDS

- UL 844 - Hazardous Locations
- UL 924 - Emergency Lighting Equipment
- UL 1598A - Luminaires for Marine Vessels
- EN 60529 - Ingress Protection
- Canadian Processed Products Regulations C.R.C. c291
- CSA - Class 3428 03
- CSA - Class 3428 83
- NSF/ANSI 2-2007 Splash Zone

TECHNICAL SPECIFICATIONS

HOUSING

.080 inch thick minimum, fiberglass reinforced polyester.

LENS

0.090 inch thick, matte polycarbonate. Optional clear polycarbonate.

REFLECTOR

Type 5052H32 aluminum with an electrostatically applied white polyester powder coat finish. Minimum 90% reflectance.

GASKET

One piece neoprene.

MOUNTING

Stainless steel vibration dampening feet for ceiling, wall or chain mount. Optional pendant mount version. Kits available for uni-strut/rod and pole mount.

LATCHES

Stainless steel over the center cam.

LAMP HOLDERS

Spring loaded on one end for linear lamp types.

ENTRIES

Two 3/4" NPT hubs, one end plugged.

LAMP TYPES

See ORDERING REFERENCES. Lamps not provided.

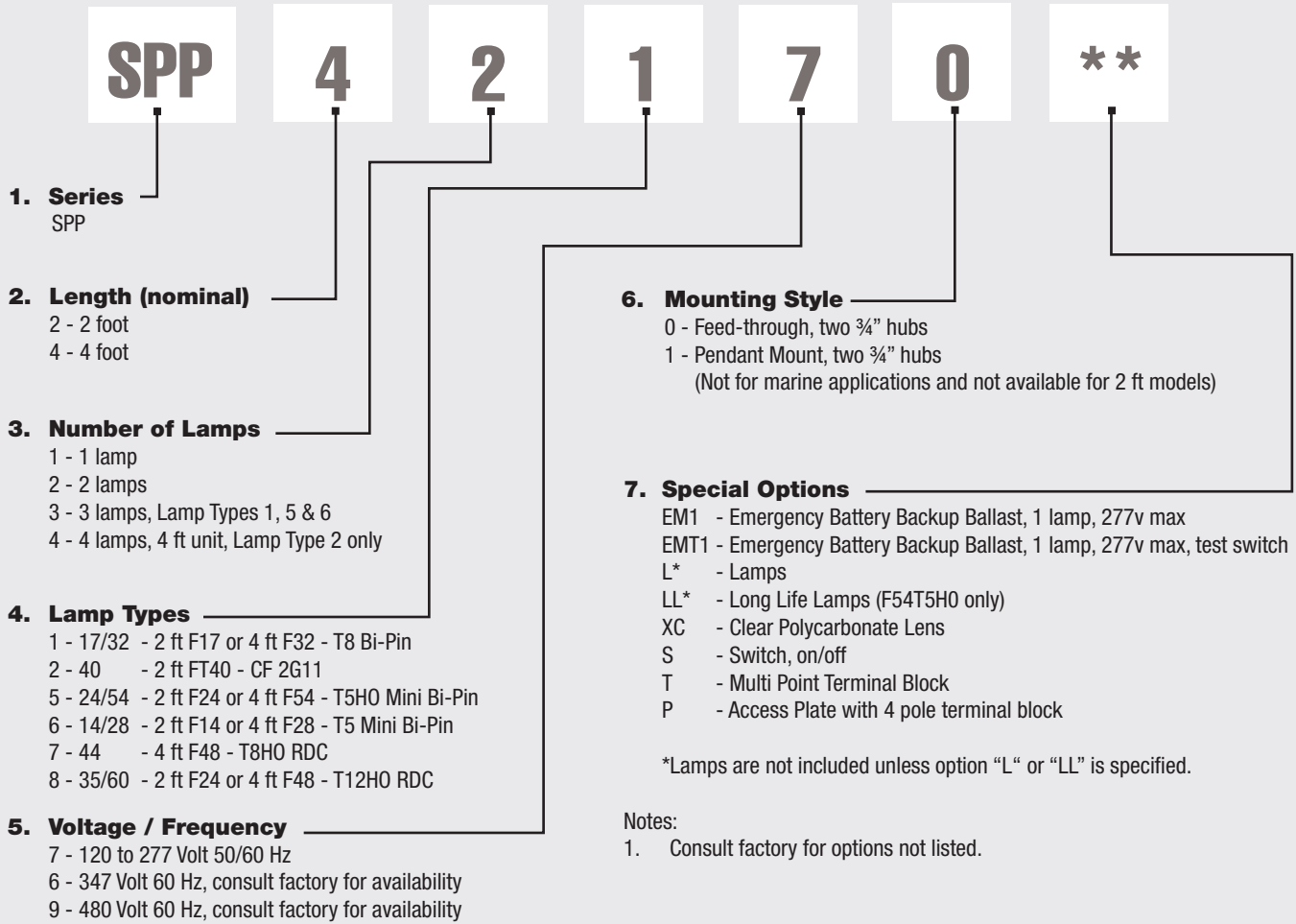
BALLAST

120 to 277 volt 50/60Hz electronic, optional 347v and 480v.

EMERGENCY BATTERY BACKUP BALLAST

Optional, self contained 90 minute minimum for all lamp types. 120 minutes minimum for F32T8 one lamp. Starting temperature 32°F/0°C.

ORDERING REFERENCES



COMMONLY ORDERED LUMINAIRES & CROSS REFERENCE

Part No.	Description	Legacy P/N	Weight	
			Lbs	Kg
SPP22170	Fiberglass Reinforced Polyester 2 ft fixture 2 x F17 120-277v 50/60 Hz	FPS217D2	9.0	4.0
SPP42170	Fiberglass Reinforced Polyester 4 ft fixture 2 x F32 120-277v 50/60 Hz	FPS232D2	17.0	7.7
SPP42870	Fiberglass Reinforced Polyester 4 ft fixture 2 x F48 120-277v 50/60 Hz	FPS260D2	18.5	8.4
SPP43170	Fiberglass Reinforced Polyester 4 ft fixture 3 x F32 120-277v 50/60 Hz	FPS332D2	19.8	9.0
FX2175	Matte Polycarbonate Lens with Gasket 2 ft	FX2175	1.5	.68
FX2177	Matte Polycarbonate Lens with Gasket 4 ft	FX2177	2.7	1.22
FX2163	Clear Polycarbonate Lens with Gasket 2 ft	FX2163	1.5	.68
FX2165	Clear Polycarbonate Lens with Gasket 4 ft	FX2165	2.7	1.22
FX8014A	Latches	FX8014A	.1	.05

Non Metallic - Hazardous Area Lighting

HazMax Intrepid/nm

SPARE PARTS

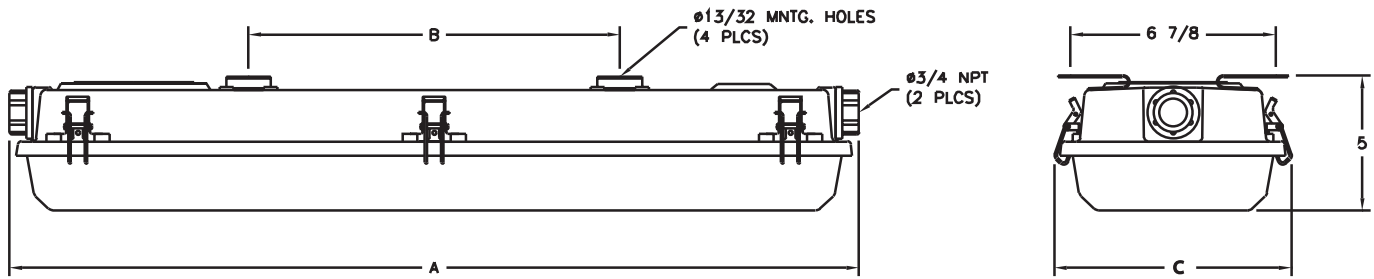
Part No.	Description	Part No.	Description
FX5350	BALLAST 120-277V AC 50/60HZ, 1 x 14, F14T5	FX3568	LAMP, 24w, F24T5HO
FX5350	BALLAST 120-277V AC 50/60HZ, 1 x 28, F28T5	FX3567	LAMP, 54w, F54T5HO
FX5307	BALLAST 120-277V AC 50/60HZ, 1 x 24, F24T5HO	FX3577	LAMP, 54w, Long Life F54T5HO
FX5305	BALLAST 120-277V AC 50/60HZ, 1 x 54, F54T5HO	FX3528	LAMP, 17w, F17T8
FX5174	BALLAST 120-277V AC 50/60HZ, 1 x 17, F17T8	FX3527	LAMP, 32w, F32T8
FX5221	BALLAST 120-277V AC 50/60HZ, 1 x 32, F32T8	FX3565	LAMP, 44w, F48T8HO
FX5349	BALLAST 120-277V AC 50/60HZ, 1 x 44, F48T8HO	FX3507	LAMP, 35w, F24T12HO
FX5334	BALLAST 120-277V AC 50/60HZ, 1 x 35, F24T12HO	FX3505	LAMP, 60w, F48T12HO
FX5334	BALLAST 120-277V AC 50/60HZ, 1 x 60, F48T12HO	FX3533	LAMP, 40w, CF, FT40 2G11
FX5272	BALLAST 120-277V AC 50/60HZ, 1 x 40 CF, FT40 2G11	FX8014A	LATCH
FX5350	BALLAST 120-277V AC 50/60HZ, 2 x 14, F14T5	GKT6106-69	LENS GASKET, 2 ft. models
FX5350	BALLAST 120-277V AC 50/60HZ, 2 x 28, F28T5	GKT6106-117	LENS GASKET, 4 ft. models
FX5307	BALLAST 120-277V AC 50/60HZ, 2 x 24, F24T5HO	FX4008	LAMP HOLDER, 17w, 20w, 24w, 32w, 40w & 54w Stationary
FX5305	BALLAST 120-277V AC 50/60HZ, 2 x 54, F54T5HO	FX4009	LAMP HOLDER, 17w, 20w, 24w, 32w, 40w & 54w Spring
FX5340	BALLAST 120-277V AC 50/60HZ, 2 x 17, F17T8	FX4008SET	LAMP HOLDER, (1 ea. FX4008, 4009)
FX5340	BALLAST 120-277V AC 50/60HZ, 2 x 32, F32T8	FX4004	LAMP HOLDER, 35w & 60w Stationary
FX5349	BALLAST 120-277V AC 50/60HZ, 2 x 44, F48T8HO	FX4005	LAMP HOLDER, 35w & 60w Spring
FX5334	BALLAST 120-277V AC 50/60HZ, 2 x 35, F24T12HO	FX4004SET	LAMP HOLDER, (1ea. FX4004, 4005)
FX5334	BALLAST 120-277V AC 50/60HZ, 2 x 60, F48T12HO	FX4043	LAMP HOLDER, 40w CF
FX5272	BALLAST 120-277V AC 50/60HZ, 2 x 40 CF, FT40 2G11	FX2175	MATTE POLYCARBONATE LENS (with Gasket), 2ft. models
FX5128HDU	EMERGENCY BATTERY BACKUP BALLAST, EM1/EMT1, 120-277V for CF, T8, T8HO & T12HO	FX2177	MATTE POLYCARBONATE LENS (with Gasket), 4ft. models
FX5346HDU	EMERGENCY BATTERY BACKUP BALLAST, EM1/EMT1, 120-277V for T5, T5HO	FX2163	CLEAR POLYCARBONATE LENS (with Gasket), 2ft. models
FX3573	LAMP, 14w, F14T5	FX2165	CLEAR POLYCARBONATE LENS (with Gasket), 4ft. models
FX3574	LAMP, 28w, F28T5	CX1517	CABLE GLAND, 3/4" NPT non metallic

TEMPERATURE CODES & APPROVALS

Lamp Wattage	Ballast/Socket Type	ANSI Lamp Code	Class I T-Code	Class I Division 2	Class II Division 2	Class III	Class II & III T-Code	Starting Temp	Maximum Ambient*	Supply Wire
17	T8 Bi-Pin G13	F17-T8	T5	A,B,C & D	F & G	Yes	T3C	0°F/-18°C	55°C	90°C
32	T8 Bi-Pin G13	F32-T8	T5	A,B,C & D	F & G	Yes	T3C	-20°F / -29°C	55°C	90°C
40	4 Pin 2G11	FT40-CF	T4	A,B,C & D	F & G	Yes	T3C	0°F/-18°C	40°C	90°C
24/54	T5HO Mini Bi-Pin G5	F24/F54-T5HO	T4	A,B,C & D	F & G	Yes	T3C	-20°F/-29°C	55°C	90°C
14/28	T5 Mini Bi-Pin G5	F14/F28-T5	T4	A,B,C & D	F & G	Yes	T3C	0°F/-18°C	55°C	90°C
44	T8HO RDC R17d	F48-T8HO	T4	A,B,C & D	F & G	Yes	T3C	-20°F/-29°C	40°C	90°C
35/60	T12HO RDC R17d	F24/F48-T12HO	T4	A,B,C & D	F & G	Yes	T3C	-20°F/-29°C	40°C	90°C

*Consult factory for optional higher ambient models.

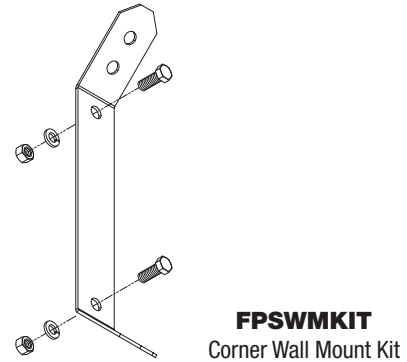
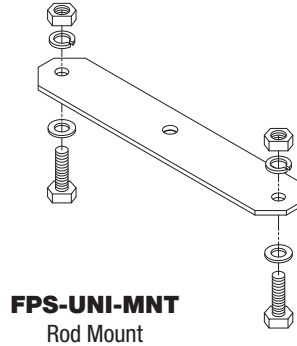
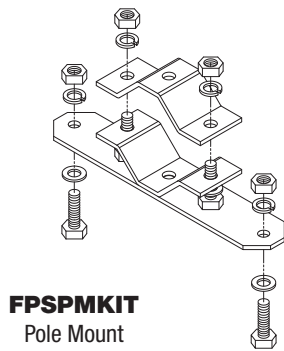
DIMENSIONS



Nominal Length	Dimensions in Inches / Centimeters			Carton W x D x L Inches	Nominal Weight	
	A	B	C		Lbs	Kg
2 Foot	29.0 / 73.7	12.44 / 31.59	7.625 / 19.4	8¾ x 6¼ x 31⅞	9.0	4.0
4 Foot	53.0 / 134.6	36.56 / 92.87	7.625 / 19.4	8½ x 6 x 56⅞	17.0	7.7

MOUNTING OPTIONS

MOUNTING KITS



Haz

HazMax Versa/nm



FEATURES

- Fluorescent system provides energy savings up to 50% when compared to HID.
- Third party certified for operation in high ambient temperatures, up to 65°C (149°F).
- Multi voltage electronic ballast resistant to brownouts or voltage and frequency fluctuations.
- Continuous form-in-place closed cell gasket and field replaceable lens.
- Feed-through design or optional pendant hub design.
- USDA compliant materials.
- Meets Canadian Processed Products Regulations C.R.C. c291.
- Full steel interior channel assembly reinforces hub entry and provides continuous ground.
- Optional self contained, emergency battery backup ballasts.
- Optional long life T5 lamps available upon request (consult factory).



CHS Controls AB
Tel +46 42 38 61 00, Fax +46 42 38 61 29
chs@chscontrols.se www.chscontrols.se

APPLICATIONS

- Mid & low bay
- Hazardous locations
- Wet environments
- Food & beverage processing facilities
- Petrochemical facilities
- Waste water treatment plants
- Storage areas

APPROVALS

- Class I Division 2 Groups A, B, C & D
- Class I Zone 2 Groups IIA, IIB & IIC
- Class II Division 2 Groups F & G
- Class III
- Enclosed & Gasketed
- Type 3R
- NSF

STANDARDS

- UL 844 – Hazardous Locations
- UL 1598 - Luminaires
- UL 924 - Emergency Lighting Equipment
- Canadian Processed Products Regulations C.R.C. c291
- CSA - Class 3428 03
- CSA - Class 3428 83
- NSF/ANSI 2-2007 Splash Zone

TECHNICAL SPECIFICATIONS

HOUSING

Fiberglass reinforced polyester.

LENS

Matte acrylic. Optional matte polycarbonate.

REFLECTOR

Steel with a white gloss finish.

GASKET

Permanently mounted closed cell neoprene.

MOUNTING

Various stainless steel mounting options.

LATCHES

Non-metallic. Optional stainless steel.

LAMP HOLDERS

Spring loaded on HO models. Industrial grade high temperature PBT locking sockets on RS models.

ENTRIES

Feed-through clearance holes with two ½" NPT hubs, one on each end.

LAMP TYPES

See ORDERING REFERENCES. Lamps not provided.

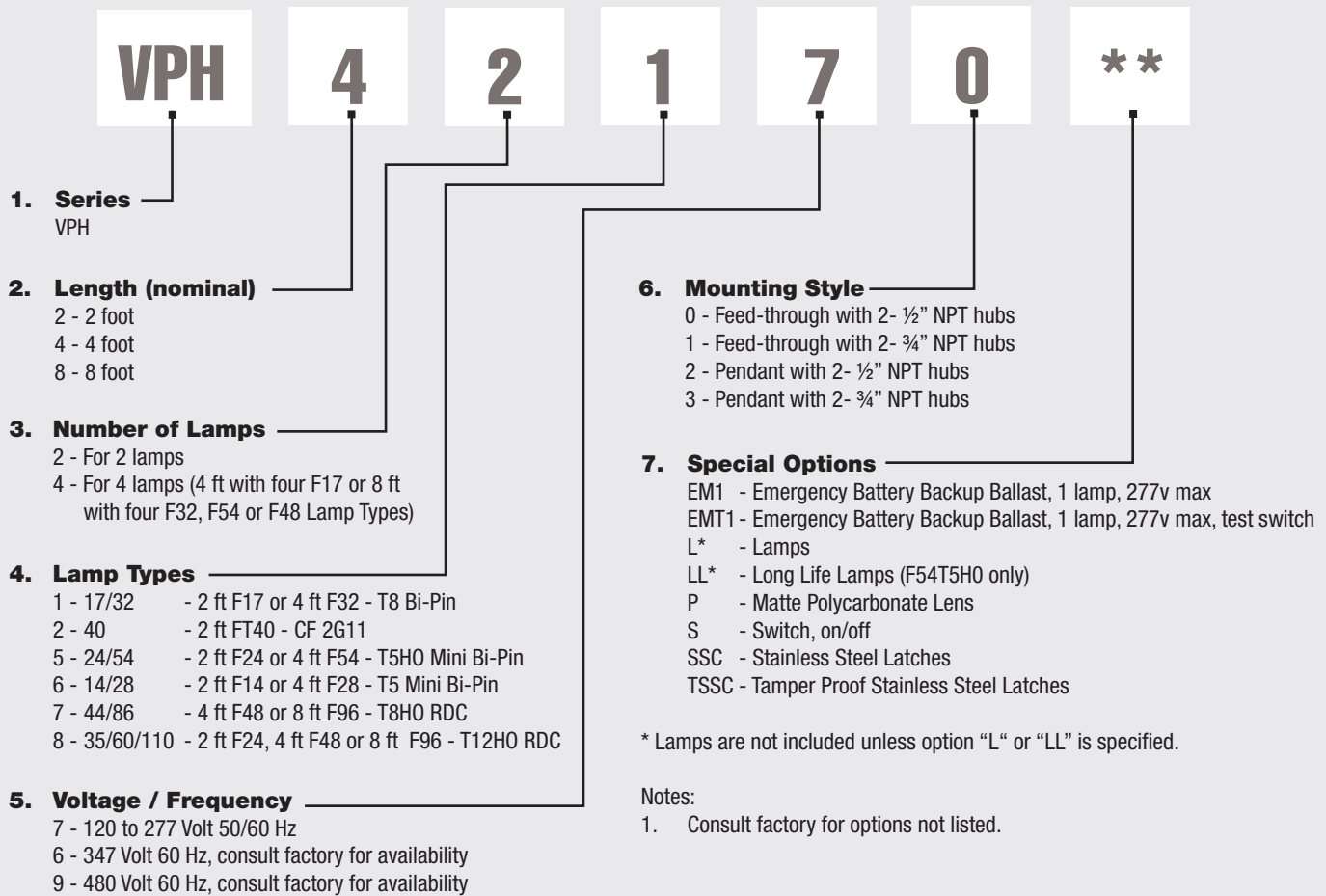
BALLAST

120 to 277 volt 50/60Hz electronic.

EMERGENCY BATTERY BACKUP BALLAST

Optional, self contained 90 minute minimum for all lamp types. 120 minutes minimum for F32T8 one lamp. Starting temperature 32°F/0°C.

ORDERING REFERENCES



SPARE PARTS

Part No.	Description
FX5350	BALLAST 120-277V 60HZ, 2 x 14, F14T5
FX5350	BALLAST 120-277V 60HZ, 2 x 28, F28T5
FX5307	BALLAST 120-277V 60HZ, 2 x 24, F24T5HO
FX5305	BALLAST 120-277V 60HZ, 2 x 54, F54T5HO
FX5340	BALLAST 120-277V 60HZ, 2 x 17, F17T8
FX5340	BALLAST 120-277V 60HZ, 2 x 32, F32T8
FX5349	BALLAST 120-277V 60HZ, 2 x 44, F48T8HO
FX5369	BALLAST 120-277V 60HZ, 2 x 86, F96T8HO
FX5334	BALLAST 120-277V 60HZ, 2 x 35, F24T12HO
FX5338	BALLAST 120-277V 60HZ, 2 x 60, F48T12HO
FX5338	BALLAST 120-277V 60HZ, 2 x 110 F96T12HO
FX5272	BALLAST 120-277V 60HZ, 2 x 40 CF, FT40 2G11
FX5128HDU	EMERGENCY BATTERY BACKUP BALLAST, EM1/EMT1, 120-277V for CF, T8, T8HO & T12HO
FX5346HDU	EMERGENCY BATTERY BACKUP BALLAST, EM1/EMT1, 120-277V for T5 & T5HO
FX3573	LAMP, 14w, F14T5
FX3574	LAMP, 28w, F28T5
FX3568	LAMP, 24w, F24T5HO
FX3567	LAMP, 54w, F54T5HO
FX3577	LAMP, 54w, Long Life F54T5HO
FX3528	LAMP, 17w, F17T8
FX3527	LAMP, 32w, F32T8
FX3565	LAMP, 44w, F48T8HO
FX3566	LAMP, 86w, F96T8HO
FX3507	LAMP, 35w, F24T12HO
FX3505	LAMP, 60w, F48T12HO
FX3523	LAMP, 110w, F96T12HO
FX3533	LAMP, 40w CF, FT40 2G11
008-4000	LENS, deep acrylic, 4 ft, HO model
008-8000	LENS, deep acrylic, 8 ft models
008-4100	LENS, shallow acrylic, 4 ft model, except HO
008-2100	LENS, shallow acrylic, 2 ft models
758-0700	LAMP HOLDER, RDC, fixed for HO models
758-0701	LAMP HOLDER, RDC, spring loaded for HO models
754-8701	LAMP HOLDER, Bi-Pin, T8 / T12 models
752-6050	LAMP HOLDER, 2G11 CF models
758-0005	LAMP HOLDER, T5 Fixed & Spring set
752-5766	LAMP SUPPORT, 2G11 CF models
755-0314	LAMP HOLDER, Single Pin, fixed
755-0315	LAMP HOLDER, Single Pin, spring loaded
008-0601	LENS LATCHES, non-metallic
360-0500	HUB, standard 1/2" NPT
350-0500	PLUG, standard 1/2" NPT

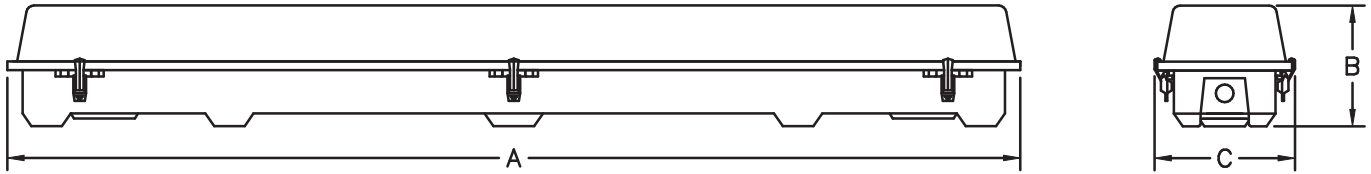
HazMax Versa/nm

TEMPERATURE CODES & APPROVALS

Lamp Wattage	Ballast/Socket Type	ANSI Lamp Code	Class I T-Code	Class I Division 2	Class II Division 2	Class III	Class II & III T-Code	Starting Temp	Maximum Ambient*	Supply Wire
17	T8 Bi-Pin G13	F17-T8	T5	A,B,C & D	F & G	Yes	T3C	0°F / -18°C	55°C	90°C
32	T8 Bi-Pin G13	F32-T8	T5	A,B,C & D	F & G	Yes	T3C	-20°F / -29°C	55°C	90°C
40	4 Pin 2G11	FT40-CF	T5	A,B,C & D	F & G	Yes	T3C	0°F / -18°C	40°C	90°C
24/54	T5HO Mini Bi-Pin G5	F24/F54-T5HO	T5	A,B,C & D	F & G	Yes	T3C	-20°F / -29°C	55°C	90°C
14/28	T5 Mini Bi-Pin G5	F14/F28-T5	T5	A,B,C & D	F & G	Yes	T3C	0°F / -18°C	55°C	90°C
44/86	T8HO RDC R17d	F48/F96-T8HO	T4A	A,B,C & D	F & G	Yes	T3C	-20°F / -29°C	40°C	90°C
35/60/110	T12HO RDC R17d	F24/F48/F96-T12HO	T4A	A,B,C & D	F & G	Yes	T3C	-20°F / -29°C	40°C	90°C

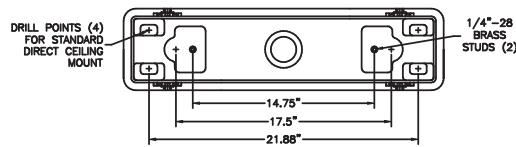
*Consult factory for optional higher ambient models.

DIMENSIONS

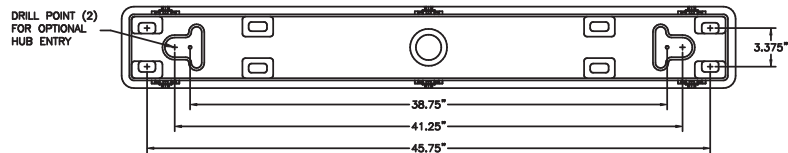


Nominal Length	Dimensions in Inches / Centimeters			Carton L x W x D Inches	Nominal Weight	
	A	B	C		Lbs	kg
2 Foot Models	25.8 / 65.6	5.0 / 12.7	7.0 / 17.78	8¾ x 6¼ x 31⅞	8.5	3.9
4 Foot T5 & T8 Models	49.81 / 126.5	5.0 / 12.7	7.0 / 17.78	8½ x 6 x 56⅞	12.0	5.4
4 Foot HO Models	49.81 / 126.5	5.4 / 13.72	7.0 / 17.78	8½ x 6 x 56⅞	16.0	7.3
8 Foot Models	97.81 / 248.4	5.4 / 13.72	7.0 / 17.78	8 x 8 x 99¼	32.0	14.5

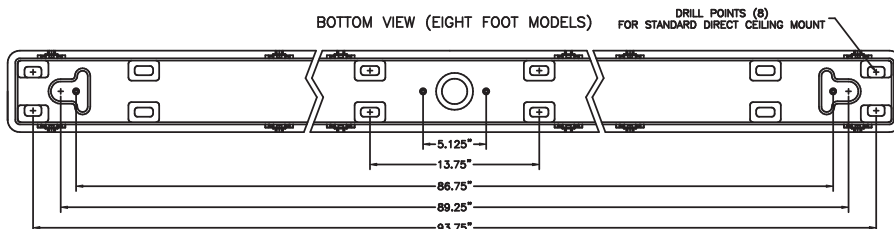
BOTTOM VIEW (TWO FOOT MODELS)



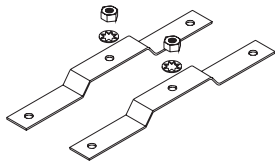
BOTTOM VIEW (FOUR FOOT MODELS)



BOTTOM VIEW (EIGHT FOOT MODELS)

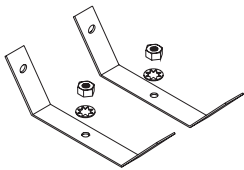
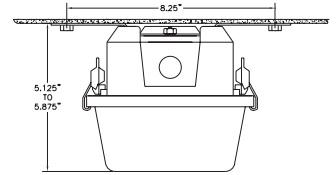
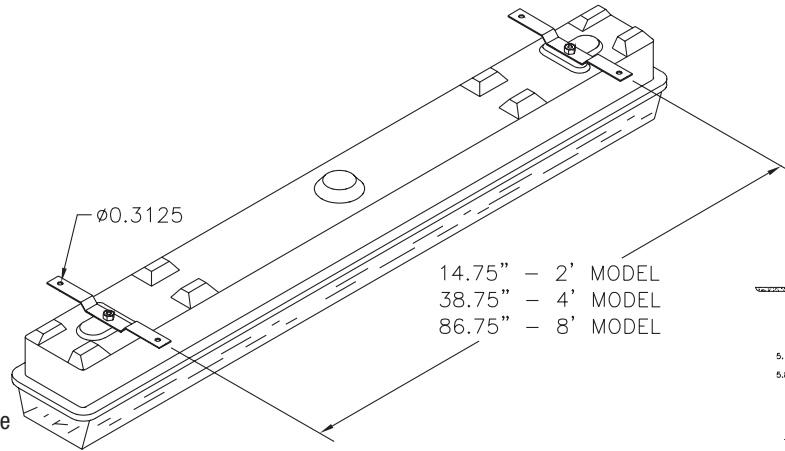


MOUNTING OPTIONS



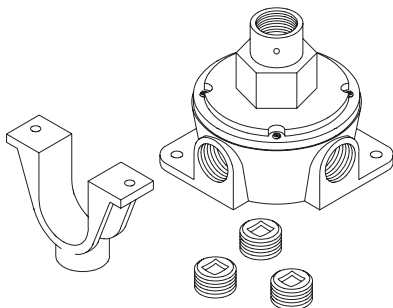
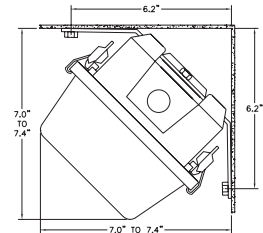
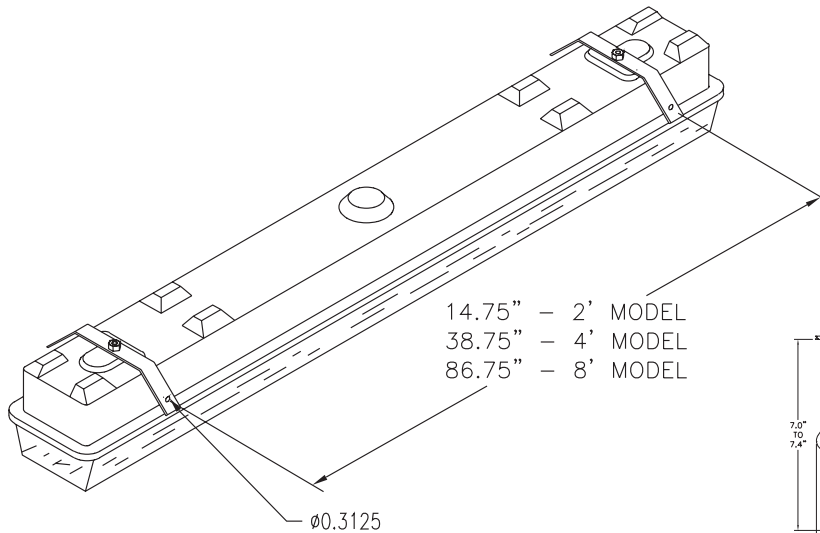
VP1091MTK

Fixed ceiling / wall mounting kit.
 2 stainless steel brackets & hardware
 to mount brackets to fixture.



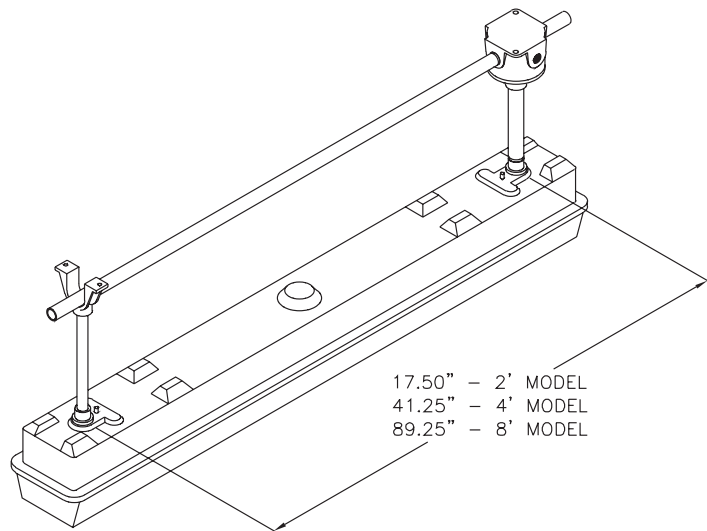
VP1093MTK

Fixed corner mounting kit.
 2 stainless steel brackets & hardware
 to mount brackets to fixture.



HP1095MTK

Pendant mounting kit.
 1 saddle strap and 1 universal junction box &
 pendant cover ($\frac{3}{4}$ " NPT).



Haz

HazMax Resista/nm



FEATURES

- High output luminaire, up to 30,000 raw lumens.
- Fluorescent system provides energy savings up to 50% when compared to HID.
- Third party certified for operation in high ambient temperatures, up to 55°C (131°F).
- Multi voltage electronic ballast resistant to brownouts or voltage and frequency fluctuations.
- Hose tested at 1500 PSI for 60 minute duration, at 5 feet and 10 feet distance, nozzle dispersion 0 degree.
- USDA compliant materials.
- Meets Canadian Processed Products Regulations C.R.C. c291.
- Polybutylene Terephthalate (PBT) end cap provides the broadest range of chemical resistance.
- Field replaceable silicone gasket adhered in end cap.
- Options include: Stainless steel end caps, quick disconnect receptacle, stainless steel quick disconnect straps and center stud mount end caps.
- Optional self contained emergency battery backup ballasts.
- Emergency models feature EM markings or red end caps (center stud models only).
- Optional long life T5 lamps available upon request (consult factory).

APPLICATIONS

- High, mid & low bay
- Hazardous locations
- High pressure hose down areas
- Food & beverage processing facilities
- Grain & sugar milling, processing & storage
- Waste water treatment plants
- Pulp & paper production

APPROVALS

- Class I Division 2 Groups A, B, C, & D
- Class I Zone 2 Groups IIA, IIB & IIC
- Class II Division 2 Groups F & G
- Class III
- Enclosed & Gasketed
- Type 4
- Conforms to IP66
- NSF

STANDARDS

- UL 844 - Hazardous Locations c291
- UL 924 - Emergency Lighting Equipment
- UL 1598 - Luminaires
- CSA - Class 3428 03
- CSA - Class 3428 83
- NSF/ANSI 2-2007 Food Contact (WPS version)
- NSF/ANSI 2-2007 Splash Zone
- Canadian Processed Products Regulations C.R.C.

TECHNICAL SPECIFICATIONS

HOUSING/LENS

End caps polybutylene terephthalate (PBT) or stainless steel, optional polycarbonate center stud. Clear, impact resistant, acrylic lens.

HARDWARE

External hardware stainless steel.

REFLECTOR

Extruded aluminum assembly, coated gloss white.

GASKETS

One piece silicone.

MOUNTING

Cable, fixed, nylon coated suspended cable, wall mount, or stainless steel straps. Other options available see MOUNTINGS OPTIONS.

LAMP HOLDERS

Locking sockets on Bi-Pin models made of industrial grade high temperature PBT. Spring loaded polycarbonate sockets on all HO models.

ENTRIES

Single or feed-through 1/2" NPT.

LAMP TYPES

See ORDERING REFERENCES. Lamps not provided.

BALLAST

120 to 277 volt 50/60Hz electronic.

EMERGENCY BATTERY BACKUP BALLAST

Optional, self contained 90 minute minimum for all lamp types. 120 minutes minimum for F32T8 one lamp. Starting temperature 32°F/0°C.

ORDERING REFERENCES



1. Series

WPH - Hazardous Area
 WPSH - Hazardous Area, SS end caps

2. Length (nominal)

2 - 2 foot
 4 - 4 foot
 8 - 8 foot

3. Number of Lamps

2 - 2 lamps
 3 - 3 lamps (Lamp Types 1, 5 & 6)
 4 - 4 lamps
 (4 ft fixture, Lamp Types 5 & 6 only. 8 ft fixtures with four 4 ft lamps, Lamp Types 1, 5, 6 & 8)
 6 - 6 lamps (8 ft fixture with six 4 ft lamps, Lamp Types 1, 5 & 6)

4. Lamp Types

1 - 17/32/59 - 2 ft F17, 4 ft F32 - T8 Bi-Pin, 8 ft F96 Single Pin
 3 - 60ES/75 - 8 ft F96 - T12 Single Pin
 5 - 24/54 - 2 ft F24 or 4 ft F54 - T5HO Mini Bi-Pin
 6 - 14/28 - 2 ft F14 or 4 ft F28 - T5 Mini Bi-Pin
 7 - 44/86 - 4 ft F48 or 8 ft F96 - T8HO RDC
 8 - 35/60/110 - 2 ft F24, 4 ft F48 or 8 ft F96 - T12HO RDC

5. Voltage / Frequency

7 - 120 to 277 Volt 50/60 Hz
 6 - 347 Volt 60 Hz, consult factory for availability
 9 - 480 Volt 60 Hz, consult factory for availability

6. Mounting / Entries

0 - Standard End Cap, with 1 strain relief connector
 1 - Standard End Cap, feed-thru with 2 strain reliefs
 2 - Center Stud End Cap, with 1 strain relief connector, with hanger brackets
 3 - Center Stud End Cap, feed-thru with 2 strain reliefs, with hanger brackets
 4 - Same as #2, with wall mount brackets
 5 - Same as #3, with wall mount brackets
 6 - Same as #2, with WP1050MTK straps
 7 - Same as #3, with WP1050MTK straps
 8 - Same as #0, with WP1050MTK straps
 9 - Same as #1, with WP1050MTK straps

7. Special Options

EM1 - Emergency Battery Backup Ballast, 1 lamp, 277v max
 EMT1 - Emergency Battery Backup Ballast, 1 lamp, 277v max, test switch
 L* - Lamps
 LL* - Long Life Lamps (F54T5HO only)
 S - Switch, on/off
 W3 - 3 ft 16/3 Cord, change suffix 3 for longer cord (WP163SR-3) (Not available for WPSH models)

*Lamps are not included unless option "L" or "LL" is specified.

Notes:

1. See ACCESSORIES for other items & mounts.
2. Consult factory for options not listed above.

SPARE PARTS

Part No.	Description	Part No.	Description	Part No.	Description
FX5350	BALLAST 120-277V 60Hz, 2 x 14, F14T5	FX3568	LAMP, 24w, F24T5HO	370-0104	GASKET, O-ring for stud
FX5350	BALLAST 120-277V 60Hz, 2 x 28, F28T5	FX3574	LAMP, 28w, F28T5	312-0703	STUD, SS, secures end cap to inner channel
FX5307	BALLAST 120-277V 60Hz, 2 x 24, F24T5HO	FX3567	LAMP, 54w, F54T5HO	370-0155	GASKET, for cord connector or optional receptacle
FX5305	BALLAST 120-277V 60Hz, 2 x 54, F54T5HO	FX3528	LAMP, 17w, F17T8	355-0538	CONNECTOR, cord strain relief, 1/2" NPT non-metallic
FX5340	BALLAST 120-277V 60Hz, 2 x 17, F17T8	FX3527	LAMP, 32w, F32T8	007-4000	TUBE, acrylic, 4 ft. models
FX5340	BALLAST 120-277V 60Hz, 2 x 32, F32T8	FX3572	LAMP, 59w, F96T8	007-8000	TUBE, acrylic, 8 ft. models
FX5322	BALLAST 120-277V 60Hz, 2 x 59, F96T8	FX3565	LAMP, 44w, F48T8HO	007-2000	TUBE, acrylic, 2 ft. models
FX5349	BALLAST 120-277V 60Hz, 2 x 44, F48T8HO	FX3566	LAMP, 86w, F96T8HO	007-1050	END CAP, electrical end (1/2" NPT hub)
FX5369	BALLAST 120-277V 60Hz, 2 x 86, F96T8HO	FX3523	LAMP, 75w, F96T12	007-1000	END CAP, non-electrical end
FX5062	BALLAST 120-277V 60Hz, 2 x 60ES, F96T12ES	FX3576	LAMP, 60w ES, F96T12ES	FX6091EN	END CAP, center stud, electrical end (1/2" NPT hub)
FX5062	BALLAST 120-277V 60Hz, 2 x 75, F96T12	FX3507	LAMP, 35w, F24T12HO	FX6091BN	END CAP, center stud, non-electrical end
FX5334	BALLAST 120-277V 60Hz, 2 x 35, F24T12HO	FX3505	LAMP, 60w, F48T12HO	FX6841	END CAPS, stainless steel
FX5338	BALLAST 120-277V 60Hz, 2 x 60, F48T12HO	FX3550	LAMP, 110w, F96T12HO	WPSET	END CAPS, center stud, stainless steel
FX5338	BALLAST 120-277V 60Hz, 2 x 110, F96T12HO	758-0464	LAMP HOLDER, RDC, spring loaded, HO models	FX6841	END CAPS, center stud, stainless steel
FX5128HDU	EMERGENCY BATTERY BACKUP BALLAST, EM1/EMT1, 120-277V for T8, T8HO, T12 & T12HO	758-0465	LAMP HOLDER, RDC, fixed, HO models	FFSET	END CAPS, center stud, stainless steel
FX5346HDU	EMERGENCY BATTERY BACKUP BALLAST, EM1/EMT1, 120-277V for T5 & T5HO	754-8701	LAMP HOLDER, Bi-Pin, T8/T12 models	FX6091	END CAPS, center stud red, EM models
FX3573	LAMP, 14w, F14T5	752-0002	LAMP HOLDER, fixed, T5	SETEM	END CAPS, center stud red, EM models
		755-0214	LAMP HOLDER, Single Pin, fixed	007-1500	GASKET, O-ring for either end cap
		755-2015	LAMP HOLDER, Single Pin, spring loaded		
		312-0104	NUT, stainless steel closed end		

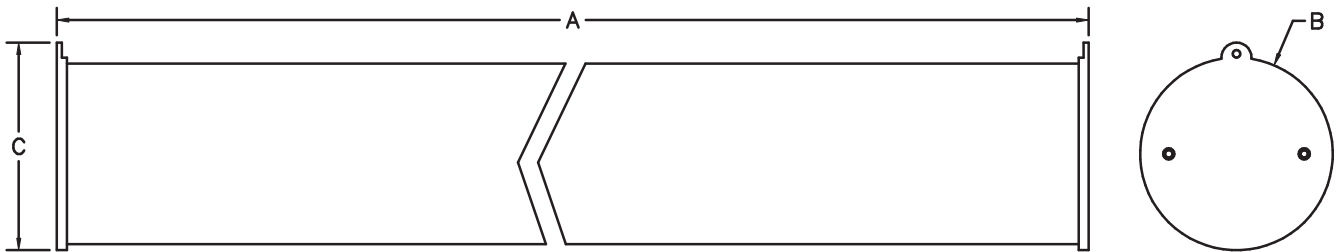
HazMax **Resista**/nm

TEMPERATURE CODES & APPROVALS

Lamp Wattage	Ballast/Socket Type	ANSI Lamp Code	Class I T Code	Class I Division 2	Class II Division 2	Class III	Class II & III T Code	Starting Temp	Max Ambient	Supply Wire
17	T8 Bi-Pin G13	F17-T8	T5	A,B,C & D	F & G	Yes	T3C	0°F/-18°C	55°C	90°C
32	T8 Bi-Pin G13	F32-T8	T5	A,B,C & D	F & G	Yes	T3C	-20°F/-29°C	55°C	90°C
24/54	T5HO Mini Bi-Pin G5	F24/F54 T5HO	T5	A,B,C & D	No	No	NA	-20°F/-29°C	40°C	90°C
14/28	T5 Mini Bi-Pin G5	F14/F28 T5	T5	A,B,C & D	No	No	NA	0°F/-18°C	40°C	90°C
44/86	T8HO RDC R17d	F48/F96 T8HO	T4A	A,B,C & D	F & G	Yes	T3C	-20°F/-29°C	40°C	90°C
35/60/110	T12HO RDC R17d	F24/F48/F96 T12HO	T4A	A,B,C & D	F & G	Yes	T3C	-20°F/-29°C	40°C	90°C

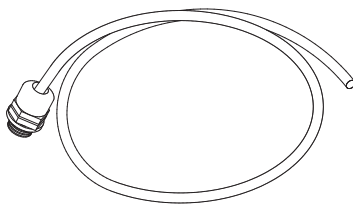
*Consult factory for optional higher ambient models.

DIMENSIONS



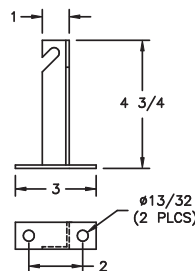
Nominal Length	Dimensions in Inches / Centimeters			Carton W x D x L inches	Nominal Weight	
	A	B	C		Lbs	Kg
2 Foot	25.0 / 63.5	6.4 / 16.3	7.03 / 17.86	8¾ x 6¼ x 31⅞	12.4	5.6
4 Foot	49.0 / 124.5	6.4 / 16.3	7.03 / 17.86	8 x 8 x 51¼	20.3	9.2
8 Foot	97.0 / 246.4	6.4 / 16.3	7.03 / 17.86	8 x 8 x 99¼	36.1	16.4

ACCESSORIES



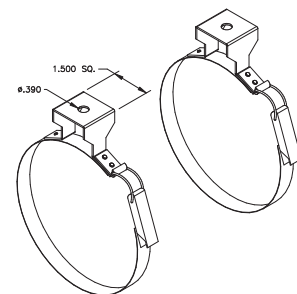
WP163SR-6

Cord assembly - strain relief connector and 6 feet of #16/3 cable. If longer cable required change suffix "6" to length needed.



FX7090 - Wall Mount Bracket

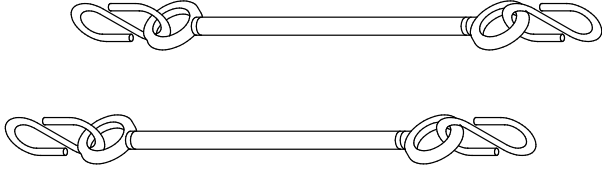
For Center Stud end caps.



WP1050MTK

2 Quick Release Stainless steel straps. Included with MOUNTINGS 6, 7, 8 & 9.

MOUNTING OPTIONS

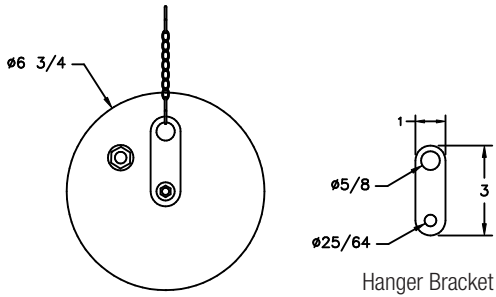
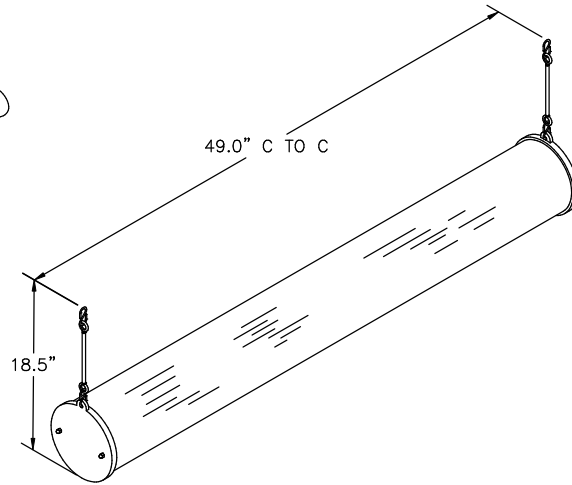


WP1012MTK

Suspended cable kit.

2 - 12" nylon coated stainless steel cables with crimped on loops & 2 - "S" hooks.

If longer cable required change "12" in part number to required length.



CENTER STUD END CAP

Center Stud end caps include hanger bracket and stainless steel chain mount. MOUNTINGS 2 & 3.

HazGuard **Exacta**/nm



FEATURES

- Available in 150w incandescent or 18w, 26w and 32w compact fluorescent.
- Approved for use in Class II dust areas.
- High temperature silicone gasket provides a watertight seal.
- Watertight mounting in any direction.
- USDA compliant materials.
- Meets Canadian Processed Products Regulations C.R.C. c291.
- Optional polymeric or stainless steel guards.
- A wide variety of globe materials and colors.

APPLICATIONS

- Ceiling, pendant and wall mount types
- Hazardous locations
- Marine and watertight requirements
- Dusttight requirements
- Grain & sugar milling, processing & storage
- Petrochemical facilities
- Coal processing & storage
- Surface mining
- Pharmaceutical & additives formulation & processing
- Food and beverage processing facilities
- Pulp & paper production
- Waste water treatment plants
- Pipeline compressor/pumping & storage

APPROVALS

- Class I Division 2 Groups A, B, C & D
- Class I Zone 2 Groups IIA, IIB & IIC
- Class II Division 2 Groups F & G
- Class III
- Type 4
- Conforms to IP66
- NSF

STANDARDS

- UL 844 - Hazardous Locations
- UL 1598 - Luminaires
- CSA - Class 3428 03
- CSA - Class 3428 83
- NSF/ANSI 2-2007 Splash Zone
- Canadian Processed Products Regulations C.R.C. c291

TECHNICAL SPECIFICATIONS

HOUSING & GLOBE BASE

Reinforced polyethylene terephthalate (PET).

GUARD

Nylon 6/6 or stainless steel wire.

HARDWARE

Stainless steel.

ENTRIES

Four 3/4" NPT knockouts on ceiling and wall versions. One 3/4" NPT outlet on pendant version.

GASKET

One piece silicone.

MOUNTING

Ceiling, pendant or wall.

LAMP HOLDER

Incandescent, medium base porcelain. Compact fluorescent, polycarbonate.

GLOBE

Glass, tempered glass or polycarbonate.

LAMP TYPES

Incandescent or 4-pin compact fluorescent. Lamps not provided.

VOLTAGE

Incandescent 240v maximum. Compact fluorescent 120v or 277v.

TEMPERATURE CODE

At 40°C ambient. Supply wire 90°C.

Lamp	Wattage	Globe	T-Code
Incandescent	150	Glass	T3
Incandescent	100	Glass	T3C
Incandescent	100	Polycarbonate	T3C
Compact fluorescent	32 Max	All	T3C

ORDERING REFERENCES

1. Series
IPEH

2. Lamp Types
15I - 150 watt max incandescent
18F - 18 watt compact fluorescent
26F - 26 watt compact fluorescent
32F - 32 watt compact fluorescent

3. Voltage / Frequency
1 - 120v 60 Hz
2 - 240v 50/60 Hz (incandescent only)
3 - 277v 60 Hz (compact fluorescent only)

4. Globe Type
GC* - Glass, clear
PC* - Polycarbonate, clear
PP - Polycarbonate, prismatic
TG - Tempered Glass, clear

5. Guard
GP - Guard, polymeric (for glass globes only)
GW - Guard, stainless steel wire

*For colored globes replace "C" with first letter of color required. (ie., "GR" for red glass globe.) Colors available: amber, blue, green, red and white.

Globe use - mounting warning:
Glass globes 150 watt max, any mounting position. Polycarbonate globe 100 watt max, base up only. Polycarbonate globe 60 watt max, any mounting position.

6. Mounting Options
C - Ceiling Mount, four 3/4" NPT hubs
P - Pendant Mount, 3/4" NPT hub
W - Wall Mount & Outlet Box, four 3/4" NPT hubs

7. Special Options
L* - Lamp, installed

*Lamps not included unless "L" option is selected.

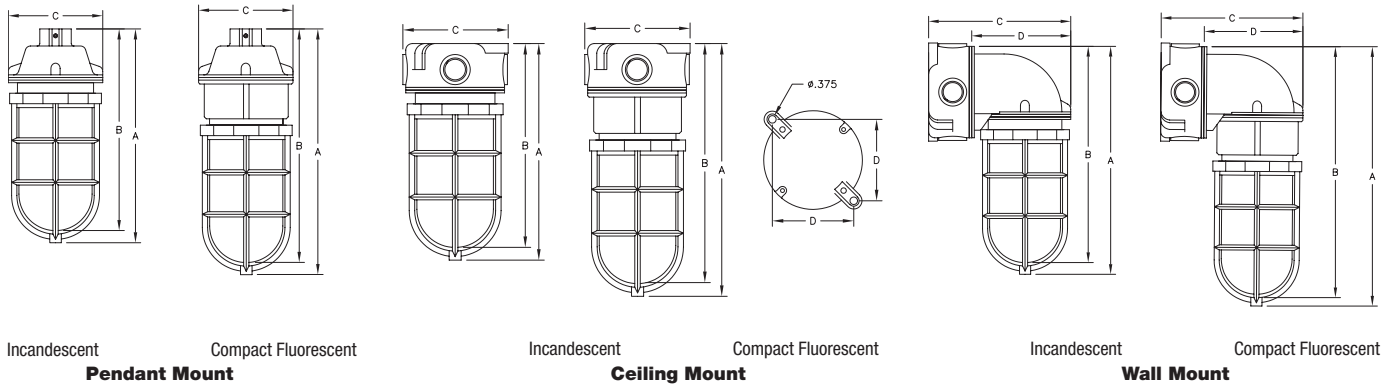
Notes
1. Consult factory for options not listed.

COMMONLY ORDERED LUMINAIRES

Part No.	Mounting	Lamp Type	Lamp Wattage	Lbs	Kg	Shipping Volume
IPE H15I 1GC GP P	PENDANT	Incandescent	150	2.5	1.15	0.5 ft ³
IPE H18F 1GC GP P	PENDANT	Compact Fluorescent	18	3.0	1.35	0.8 ft ³
IPE H26F 1GC GP P	PENDANT	Compact Fluorescent	26	3.0	1.35	0.8 ft ³
IPE H32F 1GC GP P	PENDANT	Compact Fluorescent	32	3.0	1.35	0.8 ft ³
IPE H15I 1GC GP C	CEILING	Incandescent	150	2.9	1.30	0.5 ft ³
IPE H18F 1GC GP C	CEILING	Compact Fluorescent	18	3.4	1.55	0.8 ft ³
IPE H26F 1GC GP C	CEILING	Compact Fluorescent	26	3.4	1.55	0.8 ft ³
IPE H32F 1GC GP C	CEILING	Compact Fluorescent	32	3.4	1.55	0.8 ft ³
IPE H15I 1GC GP W	WALL	Incandescent	150	3.5	1.60	0.5 ft ³
IPE H18F 1GC GP W	WALL	Compact Fluorescent	18	4.1	1.95	0.8 ft ³
IPE H26F 1GC GP W	WALL	Compact Fluorescent	26	4.1	1.95	0.8 ft ³
IPE H32F 1GC GP W	WALL	Compact Fluorescent	32	4.1	1.95	0.8 ft ³

HazGuard **Exacta**/nm

DIMENSIONS



Mount	Pendant Mount		Ceiling Mount		Wall Mount	
Type	Incandescent	Compact Fluorescent	Incandescent	Compact Fluorescent	Incandescent	Compact Fluorescent
A	10.25 (26.0)	12.00 (30.5)	10.00 (25.4)	11.75 (29.8)	11.25 (28.6)	13.00 (33.0)
B	9.50 (24.1)	11.25 (28.6)	9.25 (23.5)	11.00 (27.9)	10.5 (26.7)	12.25 (31.1)
C	4.50 (11.4)	4.50 (11.4)	4.62 (11.7)	4.62 (11.7)	7.50 (19.1)	7.50 (19.1)
D	--	--	3.75 (9.5)	3.75 (9.5)	5.125 (13.0)	5.125 (13.0)

Dimensions are in inches (cm).

SPARE PARTS

Part No.	Description
FX4030	LAMP HOLDER, 18w CF
FX4034	LAMP HOLDER, 26w CF
FX4034	LAMP HOLDER, 32w CF
INX755-0930	LAMP HOLDER, Incandescent
INX2007CLR	GLASS GLOBE, Clear
INX2007RED	GLASS GLOBE, Red
INX2007GRN	GLASS GLOBE, Green
INX2007BLU	GLASS GLOBE, Blue
INX2007YEL	GLASS GLOBE, Amber
INX2007HR	GLASS GLOBE, Tempered Glass (HR)
P100C	GLOBE, Clear Polycarbonate
FX5206	BALLAST, 120v, 18w CF
FX5206	BALLAST, 120v, 26w CF
FX5206	BALLAST, 120v, 32w CF
FX3552	LAMP, 18w CF
FX3553	LAMP, 26w CF
FX3554	LAMP, 32w CF
INX3558	LAMP, 150w Incandescent
INXGP150	GUARD, Polymeric
INXGW150	GUARD, Stainless steel
GKT101-0002	GASKET, Junction Box

BRASS

Professional Use Lighting

ProSpot Spot Lights	ProGuard Globe & Guard	ProMark Marker Lights
746M/br - Pg. 260 	707/br - Pg. 266 	1158/1159/br - Pg. 286 
749/br - Pg. 262 	717/718/br - Pg. 270 	
740/741/br - Pg. 264 	735/738/br - Pg. 274 	
	729/730/br - Pg. 276 	
	1729/br - Pg. 280 	
	767/br - Pg. 282 	
	1440/1449/br - Pg. 284 	

Pro

ProSpot 746M/br



746M shown with an optional red lens.



Lamp Suspension System

FEATURES

- Unique lamp suspension system design absorbs vibration to extend lamp life up to 50% longer than competitive brands.
- High temperature silicone gasket provides a watertight seal.
- Adjustable mounting allows 360° horizontal rotation, vertical positioning down 45° and up 90°. 60° up with handle option.
- Medium flood with optional narrow or wide beam pattern. Lamp included.
- Range of colored lenses available in red, blue, green and yellow.
- Field replaceable lens and gasket.
- Protective guard available.

APPLICATIONS

- Marine and watertight requirements
- High vibration environments
- Dusttight requirements
- Military ships
- Patrol boats
- Coast Guard rescue vessels
- Life boat davits

APPROVALS

- Type 4X
- Conforms to IP66
- Marine Outside Type Saltwater
- ABS

STANDARDS

- UL 1598A - Luminaires for Marine Vessels

TECHNICAL SPECIFICATIONS

HOUSING

Cast marine brass.

MOUNTING BASE

Cast marine brass.

GUARD

Stainless steel, optional.

LENS

Clear heat resistant glass. Optional colors: red, green or yellow.

ENTRIES

1/2" NPT outlet with cable gland and six feet of 16/3 cable. Optional 3/4" NPT.

HARDWARE

Stainless steel.

GASKET

One piece silicone.

LAMP TYPE

300w Medium Floodlight PAR56 or 500w Quartz Halogen. Lamp included. Optional narrow spot or wide beam lamps.

LAMP HOLDER

Mogul end prong, porcelain. Low voltage lamps wired direct.

VOLTAGE OPERATION

Rated for operation on 120v. Optional 12v and 28v versions.

MOUNTING

Surface type.

TERMINAL BLOCK

2 pole terminal block.



CHS Controls AB
Tel +46 42 38 61 00, Fax +46 42 38 61 29
chs@chscontrols.se www.chscontrols.se

ORDERING REFERENCES

PART NUMBER	DESCRIPTION	ANSI LAMP TYPE	WEIGHT LBS
746BMR	300W Incandescent	PAR-56/MFL	56.0
746BQMR	500w Quartz Halogen	PAR-56Q/MFL	56.0

SPECIAL OPTIONS

GRD	- Guard
NSP*	- Narrow Spot Light Type
WFL*	- Wide Floodlight Type
HDL	- Handle and Clamp
-12	- 12v Medium Floodlight Type (300w)
-28**	- 28v Medium Floodlight Type (450w)
RED	- Red Colored Lens
GRN	- Green Colored Lens
YEL	- Yellow Colored Lens

*For 120v only.

**10 hour lamp life.

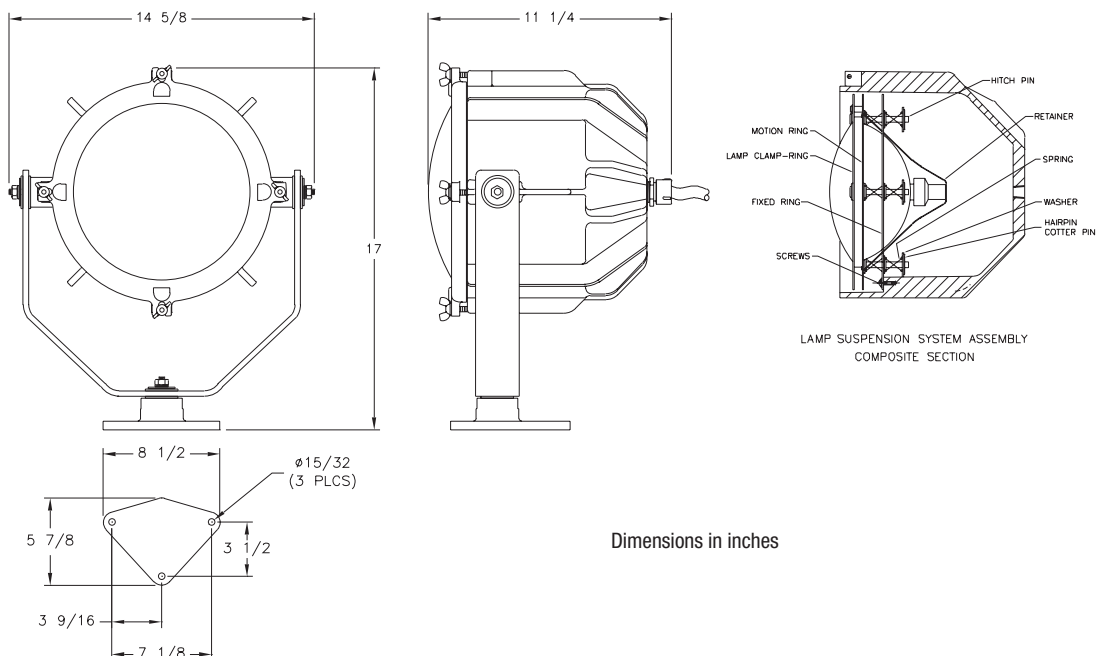
SPARE PARTS

Part No.	Description	Part No.	Description
INX4014	LAMP HOLDER	INX3509	LAMP, 300w MFL 120v
INX1041	GUARD	INX3510	LAMP, 300w NSP 120v
GKT6095	FRAME GASKET	INX3581	LAMP, 300w WFL 120v
INX9037B	LENS AND FRAME ASSEMBLY	INX3511	LAMP, 500w MFL 120v
INX7048B	STANDARD MOUNT	INX3582	LAMP, 500w NSP 120v
FX3001	TERMINAL BLOCK	INX3583	LAMP, 500w WFL 120v
INX8099	SWING BOLT/NUT KIT Stainless Steel (4 per package)	INX3576	LAMP, 300w MFL 12v
INX2143*	CLEAR LENS	INX3575	LAMP, 450w MFL 28v (10 hour lamp life)

*For colored lens add the appropriate suffix to the above part number.

Red Lens	RED	Green Lens	GRN
Blue Lens	BLU	Yellow Lens	YEL

DIMENSIONS



Pro

ProSpot 749/br



FEATURES

- Floating lamp assembly absorbs vibration to extend lamp life.
- High temperature silicone gasket provides a watertight seal.
- Adjustable mounting allows 360° horizontal rotation, vertical positioning down 45° and up 90°. 60° up with handle option.
- Medium flood with optional narrow, very narrow or wide beam pattern. Lamp included.
- Range of colored lens available in red, blue, green and yellow.
- Field replaceable lens and gasket.
- Protective guard available.



CHS Controls AB
Tel +46 42 38 61 00, Fax +46 42 38 61 29
chs@chscontrols.se www.chscontrols.se

APPLICATIONS

- Marine and watertight requirements
- High vibration environments
- Military ships
- Patrol boats
- Coast Guard rescue vessels
- Life boat davits

APPROVALS

- Type 4
- Conforms to IP66
- Marine Outside Type Saltwater
- ABS

STANDARDS

- UL 1598A - Luminaires for Marine Vessels

TECHNICAL SPECIFICATIONS

HOUSING

Cast marine brass.

MOUNTING BASE

Cast marine brass.

GUARD

Stainless steel, optional.

LENS

Clear heat resistant glass. Optional colors (749B only) red, blue, green or yellow.

ENTRIES

One sealed watertight cable gland and six feet of 16/3 cable.

HARDWARE

Stainless steel.

GASKETS

One piece silicone.

LAMP TYPE

500w Medium Floodlight PAR64 or 1000w Quartz Halogen. Lamp included. Optional narrow spot, very narrow spot or wide beam lamps.

LAMP HOLDER

Mogul end prong, porcelain.

VOLTAGE OPERATION

Rated for operation on 120v. Contact factory for other voltage and frequency options.

MOUNTING

Surface type.

ORDERING REFERENCES

PART NUMBER	DESCRIPTION	ANSI LAMP TYPE	WEIGHT LBS
749B	500w Incandescent	PAR-64/MFL	60.0
749BQ	1000w Quartz Halogen	PAR-64Q/MFL	60.0

SPECIAL OPTIONS

GRD	- Guard
NSP	- Narrow Spot Light Type
VNS	- Very Narrow Spot Light Type (749BQ only)
WFL	- Wide Floodlight Type
HDL	- Handle and Clamp
RED*	- Red Colored Lens
BLU*	- Blue Colored Lens
GRN*	- Green Colored Lens
YEL*	- Yellow Colored Lens

*Not available for the 1000w quartz version.

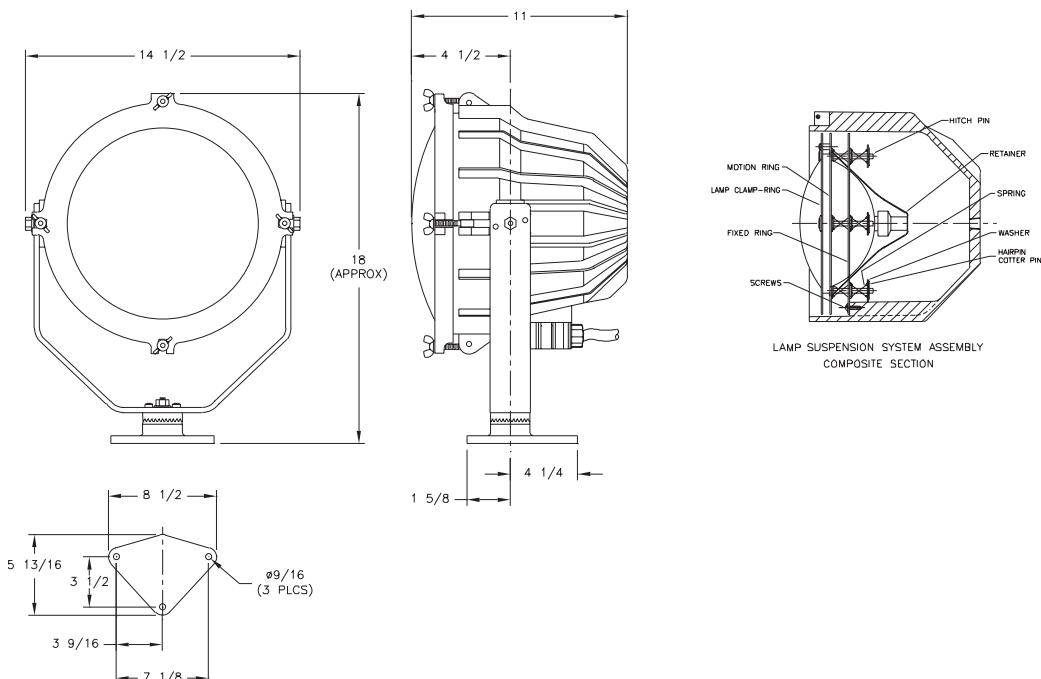
SPARE PARTS

Part No.	Description	Part No.	Description
INX9051B	LENS AND FRAME ASSEMBLY	INX3512	LAMP, 500w MFL 120v
INX1060	GUARD	INX3513	LAMP, 500w NSP 120v
INX4014	LAMP HOLDER	INX3634	LAMP, 500w WFL 120v
GKT1146-32.5	LENS GASKET	INX3514	LAMP, 1000w MFL 120v
INX7048B	STANDARD MOUNT	INX3534	LAMP, 1000w NSP 120v
INX8100	SWING BOLT/NUT KIT Stainless Steel (4 per package)	INX3649	LAMP, 1000w WFL 120v
INX2140CLR*	LENS	INX3652	LAMP, 1000w VNS 120v

*To order a colored lens replace the CLR with the appropriate suffix below:

Red Lens	RED	Green Lens	GRN
Blue Lens	BLU	Yellow Lens	YEL

DIMENSIONS



Dimensions in inches

Pro

ProSpot 740/741/br



FEATURES

- High temperature silicone gasket provides a watertight seal.
- Medium flood with optional narrow or wide beam pattern. Lamp included.
- Adjustable mounting positions.
- Range of colored lenses available in red, blue, green and yellow.
- Field replaceable lens and gasket.
- Shock mount available.
- Protective guard available.



CHS Controls AB
Tel +46 42 38 61 00, Fax +46 42 38 61 29
chs@chscontrols.se www.chscontrols.se

APPLICATIONS

- Marine and watertight requirements
- Military ships
- Patrol boats
- Coast Guard rescue vessels
- Life boat davits

APPROVALS

- Type 4
- Conforms to IP66
- Marine Outside Type Saltwater
- ABS

STANDARDS

- UL 1598A - Luminaires for Marine Vessels

TECHNICAL SPECIFICATIONS

HOUSING

Cast marine brass.

MOUNTING BASE

Cast marine brass.

GUARD

Stainless steel, optional.

LENS

Clear heat resistant glass. Optional colors: red, blue, green or yellow.

ENTRIES

One sealed watertight cable gland and 6 feet of 16/3 cable.

HARDWARE

Stainless steel.

GASKETS

One piece silicone.

LAMP TYPE

200w Medium Floodlight PAR46 or 300w Medium Floodlight PAR56. Lamp included. Optional narrow spot or wide beam lamps.

LAMP HOLDER

Medium end prong, porcelain - 740 model.
Mogul end prong, porcelain - 741 model.

VOLTAGE OPERATION

Rated for operation on 120v.

MOUNTING

Surface type.

ORDERING REFERENCES

PART NUMBER	DESCRIPTION	ANSI LAMP TYPE	WEIGHT LBS
740SM	200w Incandescent	PAR-46/MFL	14.0
741SM	300w Incandescent	PAR-56/MFL	19.0

SPECIAL OPTIONS

- GRD - Guard
- RS - Shock Mount
- HDL - Handle
- NSP - Narrow Spot Light Type
- WFL - Wide Floodlight Type (741 only)
- RED - Red Colored Lens
- BLU - Blue Colored Lens
- GRN - Green Colored Lens
- YEL - Yellow Colored Lens

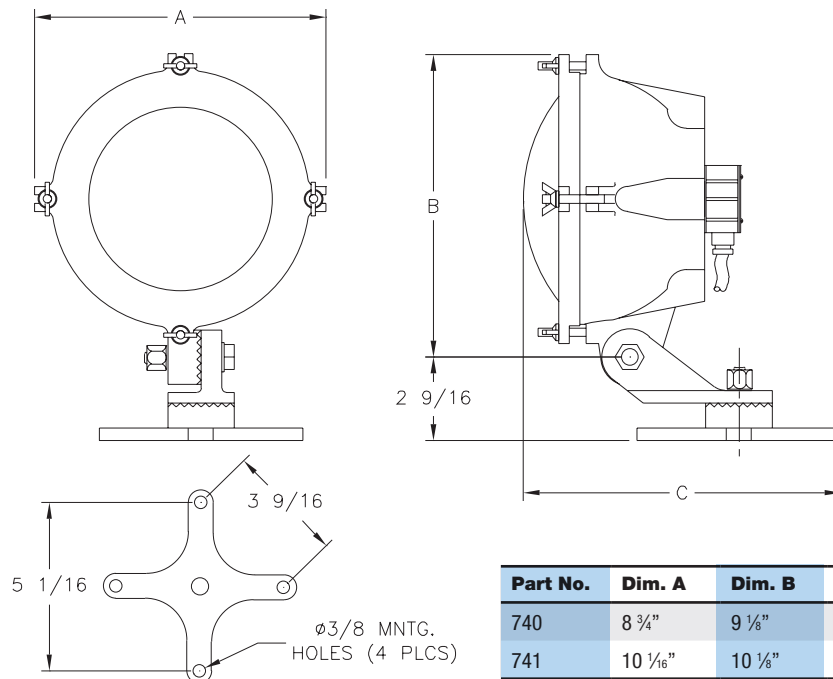
SPARE PARTS

Part No.	Description
INX4008	LAMP HOLDER, 740
INX4014	LAMP HOLDER, 741
INX1039	GUARD, 740
INX1040	GUARD, 741
GKT6043-22.5	GASKET, 740
GKT5204LCS-27	GASKET, 741
INX2117*	LENS, 740 Clear
INX2100*	LENS, 741 Clear
INX8001	SWING BOLT/NUT KIT Stainless Steel (4 per package)
INX7005B	MOUNTING BASE
INX3508	LAMP - 740 UNITS, 200w 120v Medium Flood Par 46
INX3619	LAMP - 740 UNITS, 200w 120v Narrow Spot Par 46
INX3509	LAMP - 741 UNITS, 300w 120v Medium Flood Par 56
INX3510	LAMP - 741 UNITS, 300w 120v Narrow Spot Par 56
INX3581	LAMP - 741 UNITS, 300w 120v Wide Flood Par 56

*To order a colored lens add the appropriate suffix to the above part number:

- Red Lens RED Green Lens GRN
- Blue Lens BLU Yellow Lens YEL

DIMENSIONS



Part No.	Dim. A	Dim. B	Dim. C
740	8 3/4"	9 1/8"	8 3/16"
741	10 1/16"	10 1/8"	8 7/8"

Dimensions in inches

Pro

ProGuard 707/br



FEATURES

- Available in 100w and 150w incandescent or 18w, 26w and 32w compact fluorescent.
- High temperature silicone gaskets provide a watertight seal.
- Choice of wall or flush wall mount.
- Protective guard provided.
- A wide variety of globe materials and colors.



CHS Controls AB
Tel +46 42 38 61 00, Fax +46 42 38 61 29
chs@chscontrols.se www.chscontrols.se

APPLICATIONS

- Wall mount type
- Marine and watertight requirements
- Dusttight requirements
- Military ships
- Coast Guard rescue vessels
- Bridge & pier lighting

APPROVALS

- Conforms to IP66
- Marine Outside Type Saltwater
- ABS

STANDARDS

- UL 1598A - Luminaires for Marine Vessels

TECHNICAL SPECIFICATIONS

HOUSING

Cast marine brass.

GUARD

Cast marine brass.

HARDWARE

Stainless steel.

ENTRIES

Standard units undrilled. Up to 1" NPT four way available. See ENTRY OPTIONS for selections.

GASKETS

One piece silicone.

MOUNTING

Wall and Flush.

LAMP HOLDER

Medium base, high temperature PBT. Nickel plated copper screw shell. Porcelain or shockproof optional. Compact fluorescent polycarbonate.

GLOBE

Glass, tempered glass or polycarbonate.

LAMP TYPE

Incandescent or 4-pin compact fluorescent. Lamp not provided.

VOLTAGE

Incandescent rated to 300v.

Compact fluorescent rated to 120v 50/60Hz, optional 277v 50/60Hz.

TERMINAL BLOCK

Four pole or six pole optional for incandescent models only.

ORDERING REFERENCES

PART NUMBER	DESCRIPTION	LAMP MAX	WEIGHT LBS	BOX DEPTH
707B	Wall Mount	A-19 100w	7.0	2"
707B7	Wall Mount	A-21 150w	7.25	2"
F707B7-#	Wall Mount	CF	7.45	2"
707BF	Flush Mount	A-19 100w	8.25	2 $\frac{3}{8}$ "
707BF7	Flush Mount	A-21 150w	8.5	2 $\frac{3}{8}$ "
F707BF-#	Flush Mount	CF	8.7	2 $\frac{3}{8}$ "

Enter compact fluorescent (CF) wattage desired: 18, 26 or 32.

SPECIAL OPTIONS

K	- Double Pole Toggle Switch (Not for Flush Box)
P*	- Porcelain Lamp Holder
SP	- Shockproof Lamp Holder
T*	- Terminal Block (4 pole)
T6*	- Terminal Block (6 pole)
FST	- Frosted Globe
PG**	- Polycarbonate Clear Globe (Guard not provided)
RED	- Red Globe
BLU	- Blue Globe
GRN	- Green Globe
YEL	- Yellow Globe
HR	- Heat Resistant Clear Glass Globe
-276	- 277v 60Hz (Compact fluorescent only)

*Not for use with compact fluorescent.

**100w incandescent and compact fluorescent only.

ENTRY OPTIONS

NPT Trade Size	Dead End	Thru Feed	90 Degree	X-Positions
1/2"	E1	C1	L1	X1
3/4"	E2	C2	L2	X2
1"	E3	C3	L3	X3

SPARE PARTS

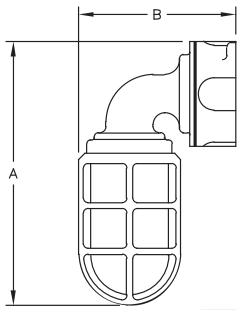
Part No.	Description
INX3528	LAMP, 100w Incandescent
INX3543	LAMP, 150w Incandescent
FX3552	LAMP, 18w Compact Fluorescent
FX3553	LAMP, 26w Compact Fluorescent
FX3554	LAMP, 32w Compact Fluorescent
FX5206	BALLAST, 120VAC 50/60Hz
FX5242	BALLAST, 277VAC 50/60Hz
CX3070	TERMINAL BLOCK, 4 pole
CX3076	TERMINAL BLOCK, 6 pole
INX4000	LAMP HOLDER, Incandescent, Standard PBT
INX4000P	LAMP HOLDER, Incandescent, Porcelain
INX4000SP	LAMP HOLDER, Incandescent, Shockproof
FX4030	LAMP HOLDER, Compact Fluorescent, 18w
FX4034	LAMP HOLDER, Compact Fluorescent, 26w & 32w
INX1036B	GUARD, 100w
INX1037B	GUARD, 150w
INX6037B	JUNCTION BOX, Wall Mount
INX6055B	JUNCTION BOX, Flush Mount
INX2006*	GLASS GLOBE, 100w 6"
INX2007*	GLASS GLOBE, 150w 7"
GKT2002SIL	GLOBE GASKET, Globe 100w
GKT2002SIL	GLOBE GASKET, Globe 150w
GKT3000SIL	GLOBE GASKET, Junction Box
GKT3005	GLOBE GASKET, Flush Box Flange
GKT8000	SWITCH BOOT
INX3012	DOUBLE POLE, TOGGLE SWITCH

*Add one of the following suffix to the above part number to obtain the globe.

Clear Heat Resistant - HR Clear - CLR Green - GRN
Frosted - FST Red - RED Yellow - YEL Blue - BLU

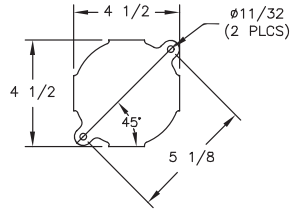
ProGuard **707**/br

DIMENSIONS

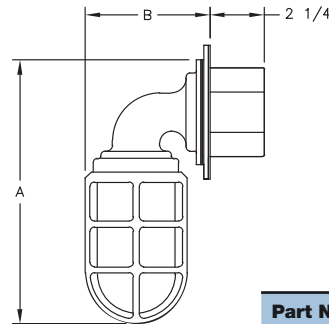


707

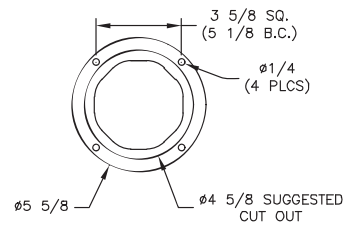
Dimensions in inches



Part No.	Dim. A	Dim. B
707B	11"	6 3/4"
707B7	11 3/4"	6 3/4"



707F



Part No.	Dim A	Dim B
707BF	11"	5"
707BF7	11 3/4"	5"



NOTES

Pro

ProGuard 717/718/br



FEATURES

- Available in 100w, 150w and 300w incandescent or 18w, 26w and 32w compact fluorescent.
- High temperature silicone gaskets provide a watertight seal.
- Protective guard provided.
- A wide variety of globe materials and colors.



CHS Controls AB
Tel +46 42 38 61 00, Fax +46 42 38 61 29
chs@chscontrols.se www.chscontrols.se

APPLICATIONS

- Ceiling mount type
- Marine and watertight requirements
- Dusttight requirements
- Military ships
- Coast guard rescue vessels
- Bridge & pier lighting

APPROVALS

- Conforms to IP66
- Marine Outside Type Saltwater
- ABS

STANDARDS

- UL 1598A - Luminaires for Marine Vessels

TECHNICAL SPECIFICATIONS

HOUSING

Cast marine brass.

GUARD

Cast marine brass.

HARDWARE

Stainless steel.

ENTRIES

Standard units undrilled. Up to 1" NPT four way available. See ENTRY OPTIONS for selections.

GASKETS

One piece silicone.

MOUNTING

Ceiling type.

LAMP HOLDER

Medium base, high temperature PBT. Nickel plated copper screw shell. Porcelain or shockproof optional. Compact fluorescent polycarbonate.

GLOBE

Glass, tempered glass or polycarbonate.

LAMP TYPE

Incandescent or 4-pin compact fluorescent. Lamp not provided.

VOLTAGE

Incandescent rated to 300v.

Compact fluorescent rated to 120v 50/60Hz, optional 277v 50/60Hz.

TERMINAL BLOCK

Four pole or six pole optional for incandescent models only.

ORDERING REFERENCES

PART NUMBER	DESCRIPTION	LAMP MAX	WEIGHT LBS
717B	Ceiling Mount	A-19 100w	6.5
717B7	Ceiling Mount	A-21 150w	7.0
F717B7-#	Ceiling Mount	CF	9.5
718B	Ceiling Mount	PS-25 300w	9.5

Enter compact fluorescent (CF) wattage desired: 18, 26 or 32.

SPECIAL OPTIONS

K	- Double Pole Toggle Switch
P*	- Porcelain Lamp Holder
SP	- Shockproof Lamp Holder
T*	- Terminal Block (4 pole)
T6*	- Terminal Block (6 pole)
HR	- Heat Resistant Clear Glass Globe
FST	- Frosted Globe
PG**	- Polycarbonate Clear Globe (Guard not provided)
RG	- Red Globe
BLU	- Blue Globe
GRN	- Green Globe
YEL	- Yellow Globe
L	- Shallow Dome Reflector
N	- Angle Dome Reflector
-276	- 277v 60Hz (Compact fluorescent only)

*Not available with compact fluorescent.

**100w incandescent or compact fluorescent only.

ENTRY OPTIONS

NPT Trade Size	Dead End	Thru Feed	90 Degree	X-Positions
1/2"	E1	C1	L1	X1
3/4"	E2	C2	L2	X2
1"	E3	C3	L3	X3

SPARE PARTS

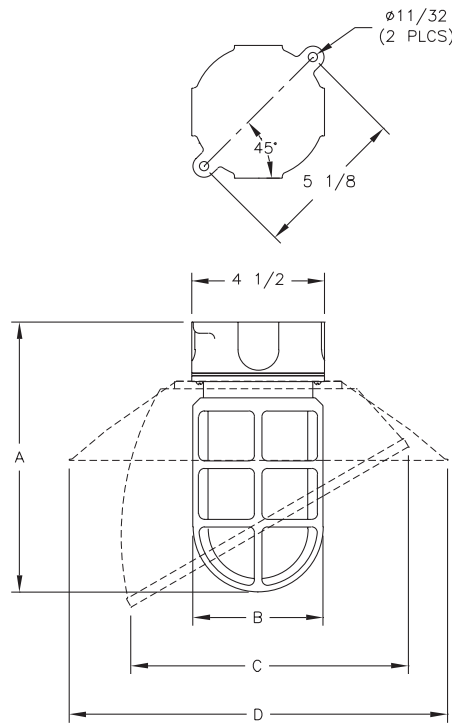
Part No.	Description	Part No.	Description
INX1036B	GUARD, 100w 6"	INX3528	LAMP, 100w Incandescent
INX1037B	GUARD, 150w 7"	INX3543	LAMP, 150w Incandescent
INX1020B	GUARD, 300w 9"	INX3559	LAMP, 300w Incandescent
FX5206	BALLAST, 120VAC 50/60Hz	FX3552	LAMP, 18w Compact Fluorescent
FX5242	BALLAST, 277VAC 50/60Hz	FX3553	LAMP, 26w Compact Fluorescent
GKT2002SIL	GASKET, Globe 100w	FX3554	LAMP, 32w Compact Fluorescent
GKT2002SIL	GASKET, Globe 150w	INX4544	REFLECTOR, Shallow Dome, 100w/150w
GKT1149SIL	GASKET, Globe 300w	INX4546B	REFLECTOR, Shallow Dome, 300w
GKT3000SIL	GASKET, Junction Box	INX4539B	REFLECTOR, Angle Dome, 100w/150w
INX4000	LAMP HOLDER, Incandescent, Standard PBT	INX4542B	REFLECTOR, Angle Dome, 300w
INX4000P	LAMP HOLDER, Incandescent, Porcelain	INX3012	DOUBLE POLE TOGGLE SWITCH
INX4000SP	LAMP HOLDER, Incandescent, Shockproof	GKT8000	SWITCH BOOT
FX4030	LAMP HOLDER, Compact Fluorescent, 18w	INX6037B	JUNCTION BOX
FX4034	LAMP HOLDER, Compact Fluorescent, 26w & 32w	INX2006*	GLASS GLOBE, 100w 6"
CX3070	TERMINAL BLOCK, 4 pole	INX2007*	GLASS GLOBE, 150w 7"
CX3076	TERMINAL BLOCK, 6 pole	INX2009*	GLASS GLOBE, 300w 9"

*Add one of the following suffix to the above part number to obtain the globe.

Clear Heat Resistant - HR Clear - CLR Green - GRN
Frosted - FST Red - RED Yellow - YEL Blue - BLU

ProGuard **717/718**/br

DIMENSIONS



Dimensions in inches

			Option "N"	Option "L"
Part No.	Dim A	Dim B	Dim C	Dim D
717B	9 1/8"	4 1/4"	9 1/4"	12 1/2"
717B7	9 7/8"	4 1/4"	9 1/4"	12 1/2"
718B	12 1/2"	6"	10 3/4"	15 3/4"



NOTES

Pro

ProGuard 735/738/br



FEATURES

- Available in 100w and 150w incandescent.
- Compact, one-piece wall mount design minimizes protrusion.
- Wire access chamber for ease of installation and maintenance.
- High temperature silicone gaskets provide a watertight seal.
- Protective guard provided.
- A wide variety of globe materials and colors.



CHS Controls AB
Tel +46 42 38 61 00, Fax +46 42 38 61 29
chs@chscontrols.se www.chscontrols.se

APPLICATIONS

- Ceiling mount type
- Marine and watertight requirements
- Dusttight requirements
- Military ships
- Coast guard rescue vessels
- Bridge & pier lighting

APPROVALS

- Conforms to IP66
- Marine Outside Type Saltwater
- ABS

STANDARDS

- UL 1598A - Luminaires for Marine Vessels

TECHNICAL SPECIFICATIONS

HOUSING

Cast marine brass.

GUARD

Cast marine brass.

HARDWARE

Stainless steel.

ENTRIES

Standard two 1/2" NPT outlets. Up to 3/4" NPT through feed available. See ENTRY OPTIONS for selections.

GASKETS

One piece silicone.

MOUNTING

Wall type.

LAMP HOLDER

Medium base, high temperature PBT. Nickel plated copper screw shell. Porcelain or shockproof optional.

GLOBE

Glass, tempered or polycarbonate.

LAMP TYPE

Incandescent. Lamp not provided.

VOLTAGE

Rated up to 300v AC.

SWITCH

Double pole toggle switch with a watertight boot, optional.

ORDERING REFERENCES

PART NUMBER	DESCRIPTION	LAMP MAX	WEIGHT LBS
735B	Wall Mount	A-19 100w	6.25
738B	Wall Mount	A-21 150w	6.50

SPECIAL OPTIONS

- P - Porcelain Lamp Holder
- SP - Shockproof Lamp Holder
- K - Double Pole Toggle Switch
- RED - Red Globe
- BLU - Blue Globe
- GRN - Green Globe
- YEL - Yellow Globe
- FST - Frosted Globe
- PG* - Polycarbonate Clear Globe (Guard not provided)
- HR - Heat Resistant Clear Glass Globe
- T - Terminal Block (4 pole)

* 100w incandescent only.

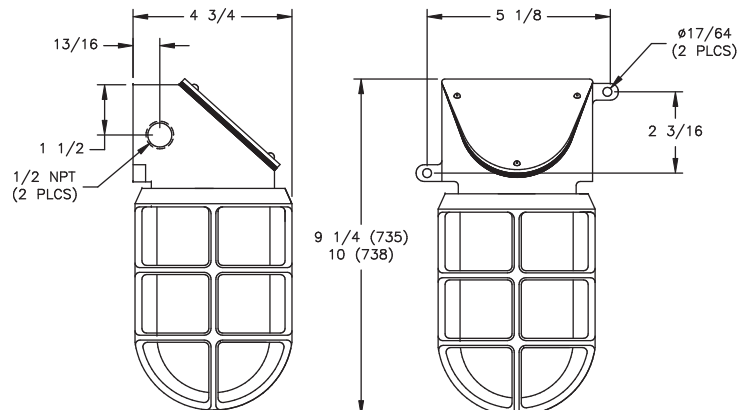
ENTRY OPTIONS

NPT Trade Size	Dead End	Thru Feed
1/2"	E1	Std.
3/4"	E2	C2

SPARE PARTS

Part No.	Description
INX4000	LAMP HOLDER, Standard PBT
INX4000P	LAMP HOLDER, Porcelain
INX4000SP	LAMP HOLDER, Shockproof
INX1036B	GUARD, 100w 6"
INX1037B	GUARD, 150w 7"
INX3528	LAMP, 100w A-19
INX3543	LAMP, 150w A-21
GKT2002SIL	GASKET, Globe
GKT6019	GASKET, Cover
INX3012	DOUBLE POLE, TOGGLE SWITCH
GKT8000	SWITCH BOOT
CX3070	TERMINAL BLOCK, 4 Pole
INX2006CLR	GLASS GLOBE, 100w 6" Clear
INX2006GRN	GLASS GLOBE, 100w 6" Green
INX2006BLU	GLASS GLOBE, 100w 6" Blue
INX2006RED	GLASS GLOBE, 100w 6" Red
INX2006YEL	GLASS GLOBE, 100w 6" Yellow
INX2006FST	GLASS GLOBE, 100w 6" Frosted
INX2006HR	GLASS GLOBE, 100w 6" Clear Heat Resistant
INX2007CLR	GLASS GLOBE, 150w 7" Clear
INX2007GRN	GLASS GLOBE, 150w 7" Green
INX2007BLU	GLASS GLOBE, 150w 7" Blue
INX2007RED	GLASS GLOBE, 150w 7" Red
INX2007YEL	GLASS GLOBE, 150w 7" Yellow
INX2007FST	GLASS GLOBE, 150w 7" Frosted
INX2007HR	GLASS GLOBE, 150w 7" Clear Heat Resistant

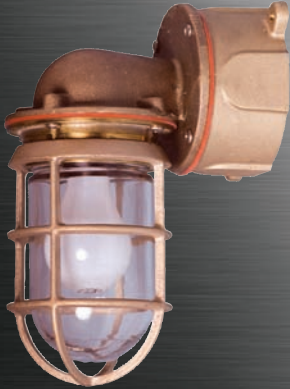
DIMENSIONS



Dimensions in inches

Pro

ProGuard 729/730/br



FEATURES

- Available in 100w, 150w and 300w incandescent or 18w, 26w and 32w compact fluorescent.
- High temperature silicone gaskets provide a watertight seal.
- Choice of wall or flush wall mount.
- Protective guard provided.
- A wide variety of globe materials and colors.



CHS Controls AB
Tel +46 42 38 61 00, Fax +46 42 38 61 29
chs@chscontrols.se www.chscontrols.se

APPLICATIONS

- Wall mount type
- Marine and watertight requirements
- Dusttight requirements
- Military ships
- Coast guard rescue vessels
- Bridge & pier lighting

APPROVALS

- Conforms to IP66
- Marine Outside Type Saltwater
- ABS

STANDARDS

- UL 1598A - Luminaires for Marine Vessels

TECHNICAL SPECIFICATIONS

HOUSING

Cast marine brass.

GUARD

Cast marine brass.

HARDWARE

Stainless steel.

ENTRIES

Standard units undrilled. Up to 1" NPT four way available. See ENTRY OPTIONS for selections.

GASKETS

One piece silicone.

MOUNTING

Wall and Flush.

LAMP HOLDER

Medium base, high temperature PBT. Nickel plated copper screw shell. Shockproof or porcelain optional. Compact fluorescent polycarbonate.

GLOBE

Glass, tempered glass or polycarbonate.

LAMP TYPE

Incandescent or 4-pin compact fluorescent. Lamp not provided.

VOLTAGE

Incandescent rated to 300v.

Compact fluorescent rated to 120v 50/60Hz, optional 277v 50/60Hz.

TERMINAL BLOCK

Four pole or six pole optional for incandescent models only.

SWITCH

Double pole toggle switch with a watertight boot, optional.

ORDERING REFERENCES

PART NUMBER	DESCRIPTION	LAMP MAX	WEIGHT LBS	BOX DEPTH
729B	Wall Mount	A-19 100w	8.0	2"
729B7	Wall Mount	A-21 150w	8.5	2"
F729B7-#	Wall Mount	CF	8.7	2"
730B	Wall Mount	PS-25 300w	10.7	2"
729BF	Flush Mount	A-19 100w	9.3	2 3/8"
729BF7	Flush Mount	A-21 150w	9.5	2 3/8"
F729BF7-#	Flush Mount	CF	9.7	2 3/8"
730BF	Flush Mount	PS-25 300w	11.9	2 3/8"

Enter compact fluorescent (CF) wattage desired: 18, 26 or 32.

SPECIAL OPTIONS

- K - Double Pole Toggle Switch (not for Flush Box)
- P* - Porcelain Lamp Holder
- SP - Shockproof Lamp Holder
- T* - Terminal Block (4 pole)
- T6* - Terminal Block (6 pole)
- FST - Frosted Globe
- HR - Heat Resistant Clear Glass Globe
- PG** - Polycarbonate Clear Globe (Guard not provided)
- RED - Red Globe
- BLU - Blue Globe
- GRN - Green Globe
- YEL - Yellow Globe
- 276 - 277v 60Hz (Compact fluorescent only)

*Not available with compact fluorescent.

**100w incandescent or compact fluorescent only.

ENTRY OPTIONS

NPT Trade Size	Dead End	Thru Feed	90 Degree	X-Positions
1/2"	E1	C1	L1	X1
3/4"	E2	C2	L2	X2
1"	E3	C3	L3	X3

SPARE PARTS

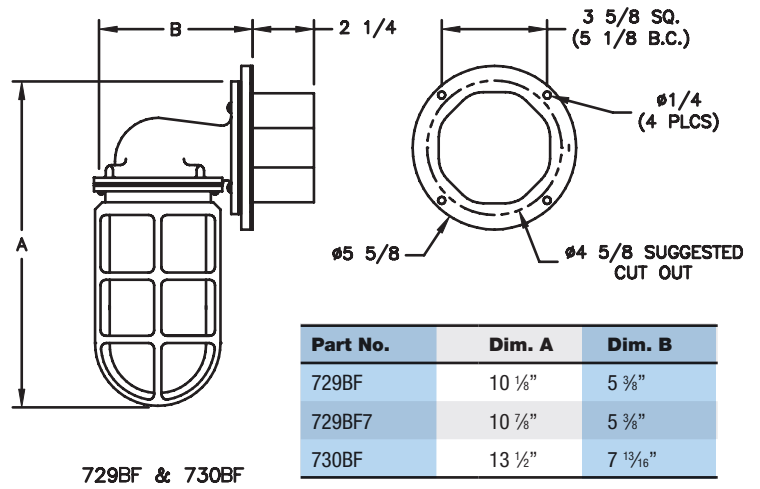
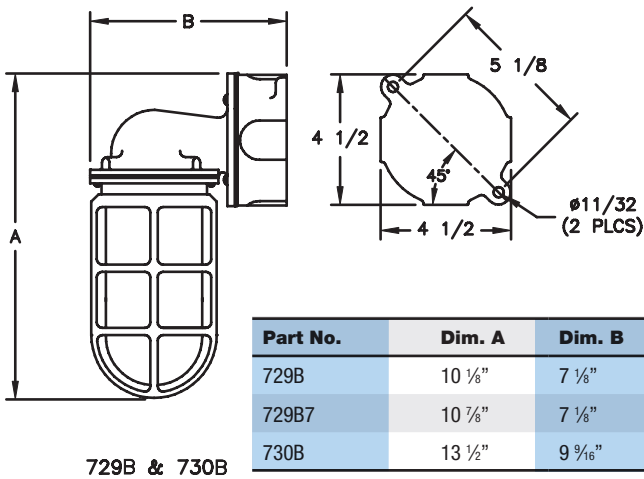
Part No.	Description	Part No.	Description
INX6037B	JUNCTION BOX, Wall Mount	INX3012	DOUBLE POLE TOGGLE SWITCH
INX6055B	JUNCTION BOX, Flush Mount	GKT2002SIL	GLOBE GASKET, Globe 100w
INX1036B	GUARD, 100w 6"	GKT2002SIL	GLOBE GASKET, Globe 150w
INX1037B	GUARD, 150w 7"	GKT1149SIL	GLOBE GASKET, Globe 300w
INX1020B	GUARD, 300w 9"	GKT3000SIL	GLOBE GASKET, Junction Box
INX4000	LAMP HOLDER, Incandescent, Standard PBT	INX3528	LAMP, 100w Incandescent
INX4000P	LAMP HOLDER, Incandescent, Porcelain	INX3543	LAMP, 150w Incandescent
INX4000SP	LAMP HOLDER, Incandescent, Shockproof	INX3678	LAMP, 200w Incandescent
FX4030	LAMP HOLDER, Compact Fluorescent, 18w	INX3559	LAMP, 300w Incandescent
FX4034	LAMP HOLDER, Compact Fluorescent, 26w & 32w	FX3552	LAMP, 18w Compact Fluorescent
FX5206	BALLAST, 120VAC 50/60Hz	FX3553	LAMP, 26w Compact Fluorescent
FX5242	BALLAST, 277VAC 50/60Hz	FX3554	LAMP, 32w Compact Fluorescent
CX3070	TERMINAL BLOCK, 4 pole	INX2006*	GLASS GLOBE, 100w 6"
CX3076	TERMINAL BLOCK, 6 pole	INX2007*	GLASS GLOBE, 150w 7"
GKT8000	SWITCH BOOT	INX2009*	GLASS GLOBE, 300w 9"

*Add one of the following suffix to the above part number to obtain the globe.

Clear Heat Resistant - HR Clear - CLR Green - GRN
Frosted - FST Red - RED Yellow - YEL Blue - BLU

ProGuard **729/730**/br

DIMENSIONS



Dimensions in inches

NOTES

Pro

ProGuard 1729/br



FEATURES

- Available in 100w and 150w incandescent or 18w, 26w and 32w compact fluorescent.
- High temperature silicone gaskets provide a watertight seal.
- Angle dome reflector can be rotated and secured in any orientation.
- Protective guard provided.
- A wide variety of globe materials and colors.



CHS Controls AB
Tel +46 42 38 61 00, Fax +46 42 38 61 29
chs@chscontrols.se www.chscontrols.se

APPLICATIONS

- Wall mount type
- Marine and watertight requirements
- Dusttight requirements
- Military ships
- Coast guard rescue vessels
- Bridge & pier lighting

APPROVALS

- Conforms to IP 66
- Marine Outside Type Saltwater
- ABS

STANDARDS

- UL 1598A - Luminaires for Marine Vessels

TECHNICAL SPECIFICATIONS

HOUSING

Cast marine brass.

GUARD

Cast marine brass.

REFLECTOR

30° angled Acrylonitrile Butadiene Styrene (ABS), gloss white.

HARDWARE

Stainless steel.

ENTRIES

Standard units undrilled. Up to 1" NPT four way available. See ENTRY OPTIONS for selections.

GASKETS

One piece silicone.

MOUNTING

Wall type.

LAMP HOLDER

Medium base, high temperature PBT. Nickel plated copper screw shell. Porcelain or shockproof optional. Compact fluorescent polycarbonate.

GLOBE

Glass, tempered glass or polycarbonate.

LAMP TYPE

Incandescent or 4-pin compact fluorescent. Lamp not provided.

VOLTAGE

Incandescent rated to 300v.

Compact fluorescent rated to 120v 50/60Hz, optional 277v 50/60Hz.

TERMINAL BLOCK

Four pole or six pole optional for incandescent only.

SWITCH

Double pole toggle switch with a watertight boot, optional.

ORDERING REFERENCES

PART NUMBER	DESCRIPTION	LAMP MAX	WEIGHT LBS	BOX DEPTH
1729BM	Wall Mount	A-19 100w	11.0	2"
1729BM7	Wall Mount	A-21 150w	11.0	2"
F1729BM7-#	Wall Mount	CF	11.0	2"

Enter compact fluorescent (CF) wattage desired: 18, 26 or 32.

SPECIAL OPTIONS

- K - Double Pole Toggle Switch
- P* - Porcelain Lamp Holder
- SP - Shockproof Lamp Holder
- T* - Terminal Block (4 pole)
- T6* - Terminal Block (6 pole)
- FST - Frosted Globe
- HR - Heat Resistant Clear Glass Globe
- PG** - Polycarbonate Clear Globe (Guard not provided)
- RED - Red Globe
- BLU - Blue Globe
- GRN - Green Globe
- YEL - Yellow Globe
- 276 - 277v AC 60Hz (Compact fluorescent only)

*Not available with compact fluorescent.

**100w incandescent or compact fluorescent only.

ENTRY OPTIONS

NPT Trade Size	Dead End	Thru Feed	90 Degree	X-Positions
1/2"	E1	C1	L1	X1
3/4"	E2	C2	L2	X2
1"	E3	C3	L3	X3

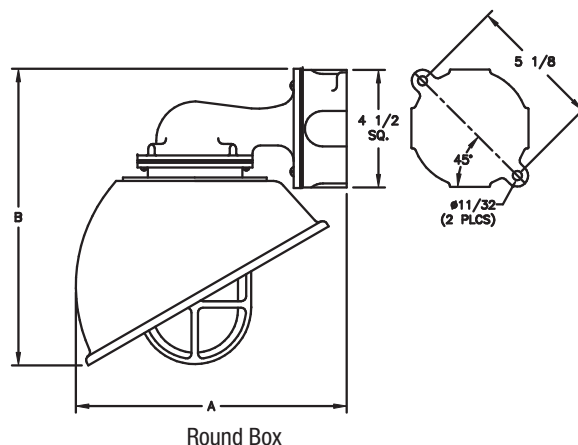
SPARE PARTS

Part No.	Description	Part No.	Description
INX3528	LAMP, 100w Incandescent	INX6037B	JUNCTION BOX
INX3543	LAMP, 150w Incandescent	FX5206	BALLAST, 120V 50/60Hz
FX3552	LAMP, 18w Compact Fluorescent	FX5242	BALLAST, 277V 50/60Hz
FX3553	LAMP, 26w Compact Fluorescent	CX3070	TERMINAL BLOCK, 4 pole
FX3554	LAMP, 32w Compact Fluorescent	CX3076	TERMINAL BLOCK, 6 pole
INX4000	LAMP HOLDER, Incandescent, Standard PBT	INX1036B	GUARD, 100w 6"
INX4000P	LAMP HOLDER, Incandescent, Porcelain	INX1037B	GUARD, 150w 7"
INX4000SP	LAMP HOLDER, Incandescent, Shockproof	INX4539B	REFLECTOR, 100w/150w
FX4030	LAMP HOLDER, Compact Fluorescent, 18w	GKT2002SIL	GASKET, Globe 100w
FX4034	LAMP HOLDER, Compact Fluorescent, 26w & 32w	GKT2002SIL	GASKET, Globe 150w
INX2006*	GLASS GLOBE, 100w 6"	GKT3000SIL	GASKET, Junction Box
INX2007*	GLASS GLOBE, 150w 7"	GKT8000	SWITCH BOOT
		INX3012	DOUBLE POLE TOGGLE SWITCH

*Add one of the following suffix to the above part number to obtain the globe.

Clear Heat Resistant - HR Clear - CLR Green - GRN
Frosted - FST Red - RED Yellow - YEL Blue - BLU

DIMENSIONS



Round Box

Dimensions in inches

Part No.	Dim A	Dim B
1729M	11 1/4"	11 1/4"
1729M7	11 1/4"	11 1/4"

Pro

ProGuard 767/br



FEATURES

- Available in 100w and 150w incandescent.
- Compact, one piece pendant mount design.
- High temperature silicone gasket provides a watertight seal.
- Protective guard provided.
- Optional angle or shallow dome reflectors.
- A wide variety of globe materials and colors.



CHS Controls AB
Tel +46 42 38 61 00, Fax +46 42 38 61 29
chs@chscontrols.se www.chscontrols.se

APPLICATIONS

- Pendant mount type
- Marine and watertight requirements
- Dusttight requirements
- Military ships
- Coast guard rescue vessels
- Bridge & pier lighting

APPROVALS

- Conforms to IP66
- Marine Outside Type Saltwater
- ABS

STANDARDS

- UL 1598A - Luminaires for Marine Vessels

TECHNICAL SPECIFICATIONS

PENDANT HOUSING

Cast marine brass.

GUARD

Cast marine brass.

HARDWARE

Stainless steel.

ENTRIES

Standard one 1/2" NPT outlet. Optional 3/4" NPT.

GASKET

One piece silicone.

MOUNTING

Pendant type.

LAMP HOLDER

Medium base, high temperature PBT. Nickel plated copper screw shell. Porcelain or shockproof optional.

GLOBE

Glass, tempered glass or polycarbonate.

LAMP TYPE

Incandescent. Lamp not provided.

VOLTAGE

Rated up to 300v AC.

ORDERING REFERENCES

PART NUMBER	DESCRIPTION	LAMP MAX	WEIGHT LBS
767B	Pendant Mount	100w	4.2
767B7	Pendant Mount	150w	5.0

SPECIAL OPTIONS

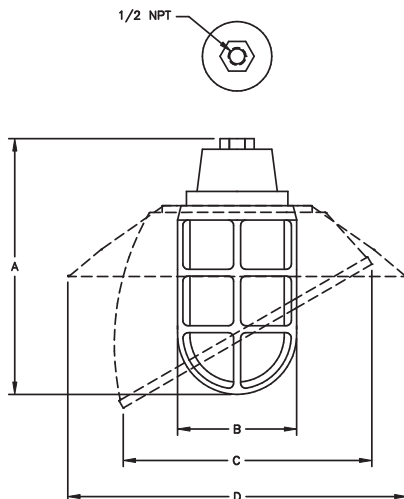
P	- Porcelain Lamp Holder
SP	- Shockproof Lamp Holder
PG*	- Polycarbonate Clear Globe (Guard not provided)
HR	- Heat Resistant Clear Glass Globe
FST	- Frosted Globe
RED	- Red Globe
BLU	- Blue Globe
GRN	- Green Globe
YEL	- Yellow Globe
E2	- 3/4" NPT mounting
L	- Shallow Dome Reflector
N	- Angle Dome Reflector

*100w incandescent only.

SPARE PARTS

Part No.	Description	Part No.	Description
INX4000	LAMP HOLDER, Standard PBT	INX1037B	GUARD, 100w 6"
INX4000P	LAMP HOLDER, Porcelain	INX1037B	GUARD, 150w 7"
INX4000SP	LAMP HOLDER, Shockproof	INX2006*	GLASS GLOBE, 100w 6"
INX3528	LAMP, 100w	INX2007*	GLASS GLOBE, 150w 7"
INX3543	LAMP, 150w	INX4544	REFLECTOR, Shallow Dome, 100w/150w
GKT2002SIL	GASKET, 100w	INX4539B	REFLECTOR, Angle Dome, 100w/150w
GKT2002SIL	GASKET, 150w		

* Add one of the following suffix to the above part number to obtain the globe.
Clear Heat Resistant - HR Clear - CLR Green - GRN
Frosted - FST Red - RED Yellow - YEL Blue - BLU



Dimensions in inches

DIMENSIONS

Part No.	A	B	Option "N"	Option "N"
767B	8 3/4"	4 1/4"	9 1/4"	12 1/2"
767B7	9 1/2"	4 1/4"	9 1/4"	12 1/2"

Pro

ProGuard 1440/1449/br



FEATURES

- Low profile heavy duty cargo hold or pit light.
- Designed for severe and harsh environments.
- Available in 100w and 200w incandescent. Suitable for self ballasted compact fluorescent.
- Hinged guard and captive hardware for ease of relamping.
- Neoprene gaskets resist petroleum and provide a watertight seal.



CHS Controls AB
Tel +46 42 38 61 00, Fax +46 42 38 61 29
chs@chscontrols.se www.chscontrols.se

APPLICATIONS

- Marine and watertight requirements
- Transportation / exploration vessels
- Ferries
- Tankers
- Cargo hold areas
- Pit lighting

APPROVALS

- Conforms to IP66
- Marine Outside Type Saltwater
- ABS

STANDARDS

- UL 1598A - Luminaires for Marine Vessels

TECHNICAL SPECIFICATIONS

HOUSING & GUARD

Cast marine brass.

REFLECTORS

Type 5052H32 aluminum with an electrostatically applied white polyester powder coat finish. Minimum 90% reflectance.

HARDWARE

Stainless steel.

ENTRIES

Standard units undrilled. Up to 3/4" NPT four way available. See ENTRY OPTIONS for selections.

GASKETS

One piece neoprene.

MOUNTING

Ceiling type.

LAMP HOLDER

Medium base, phenolic.

GLOBE

Clear impact resistant glass.

LAMP TYPE

A-19 100w max, A-21 200w max or self ballasted compact fluorescent. Lamp not provided.

VOLTAGE

Rated for use to 250v AC.

TERMINAL BLOCK

Four pole 20 Amp provided.

ORDERING REFERENCES

PART NUMBER	DESCRIPTION	LAMP MAX	WEIGHT LBS
1440B	Cargo Hold	A-19 100w	13.0
1449B	Cargo Hold	A-21 200w	19.0

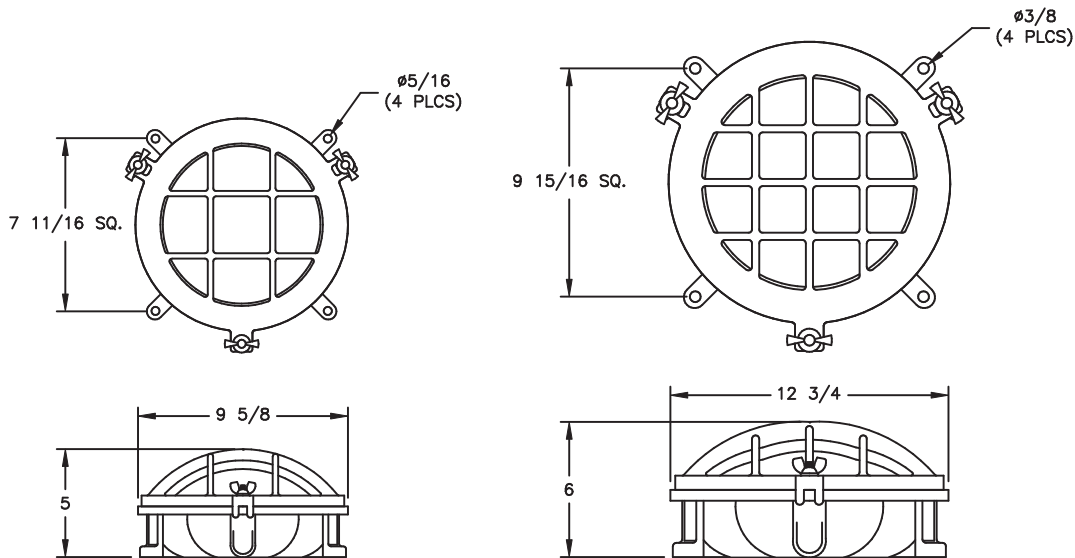
ENTRY OPTIONS

NPT Trade Size	Dead End	Thru Feed	90 Degree	X-Positions
1/2"	E1	C1	L1	X1
3/4"	E2	C2	L2	X2

SPARE PARTS

Part No.	Description	Part No.	Description
INX4081	LAMP HOLDER, Phenolic	INX3678	LAMP, 200w
INX1048B	GUARD, 100w	GKT1019SIL	GASKET, 100w Lens
INX1063B	GUARD, 200w	GKT1121	GASKET, 200w Lens
INX2143	GLASS GLOBE, 100w Clear	GKT1025	GASKET, 100w Housing
INX2140CLR	GLASS GLOBE, 200w Clear	GKT1122	GASKET, 200w Housing
INX3528	LAMP, 100w	CX3070	TERMINAL BLOCK, 4 pole

DIMENSIONS



Dimensions in inches

1440

1449

Pro

ProMark 1158/1159/br



FEATURES

- Steady burn marker.
- Available in 100w incandescent or 13w, 18w, 26w and 32w compact fluorescent..
- High temperature silicone gaskets provide a watertight seal.
- Watertight mounting in any direction.
- Protective guard available.
- Heat and impact resistant glass fresnel lens in clear, yellow, green, red or blue.



CHS Controls AB
Tel +46 42 38 61 00, Fax +46 42 38 61 29
chs@chscontrols.se www.chscontrols.se

APPLICATIONS

- Obstruction marking
- Heli-pad marking
- Marine and watertight requirements
- Ceiling/surface and stem/pendant mount types
- Oil and gas exploration and production

APPROVALS

- Conforms to IP66
- Marine Outside Type Saltwater
- ABS

STANDARDS

- UL 1598A - Luminaires for Marine Vessels

TECHNICAL SPECIFICATIONS

HOUSING

Cast marine brass.

GUARD

Optional, cast marine brass.

HARDWARE

Stainless steel.

ENTRIES

Stem/pendant type - one 3/4" NPT.

Ceiling/surface type - undrilled, up to 3/4" NPT four way available.

See ENTRY OPTIONS for selections.

GASKETS

One piece silicone.

MOUNTING

Ceiling/surface or stem/pendant.

LAMP HOLDER

Medium base, high temperature PBT. Nickel plated copper screw shell. Compact fluorescent polycarbonate. Porcelain or shockproof optional.

LENS

Tempered fresnel glass in clear, red, blue, green or yellow.

LAMP TYPE

A-19 100w incandescent or 4 Pin compact fluorescent. Lamp not provided.

VOLTAGE

Rated up to 250v. Compact fluorescent rated to 120v 50/60Hz, optional 277v 50/60Hz.

TERMINAL BLOCK

Optional 4 or 6 pole terminal block on ceiling/surface types.

ORDERING REFERENCES

PART NUMBER	DESCRIPTION	LENS COLOR	WEIGHT LBS*
1158B	Stem/Pendant	Clear	7.9
1158BRED	Stem/Pendant	Red	7.9
1158BBLU	Stem/Pendant	Blue	7.9
1158BGRN	Stem/Pendant	Green	7.9
1158BYEL	Stem/Pendant	Yellow	7.9
1159B	Ceiling/Surface	Clear	7.9
F1159B-#	Ceiling/Surface	Clear	7.9
1159BRED	Ceiling/Surface	Red	7.9
F1159BRED-#	Ceiling/Surface	Red	7.9
1159BBLU	Ceiling/Surface	Blue	7.9
F1159BBLU-#	Ceiling/Surface	Blue	7.9
1159BGRN	Ceiling/Surface	Green	7.9
F1159BGRN-#	Ceiling/Surface	Green	7.9
1159BYEL	Ceiling/Surface	Yellow	7.9
F1159BYEL-#	Ceiling/Surface	Yellow	7.9

Enter compact fluorescent (CF) wattage desired: 13, 18, 26 or 32.

*Add 1.1 lbs with guard.

SPECIAL OPTIONS

- P* - Porcelain Lamp Holder
- SP - Shockproof Lamp Holder
- T* - Terminal Block, 4 pole (Ceiling/surface type)
- T6* - Terminal Block, 6 pole (Ceiling/surface type)
- GRD - Guard
- 276 - 277v 60Hz (Compact fluorescent only)

*Not available for compact fluorescent.

ENTRY OPTIONS

1159 Ceiling/Surface Type

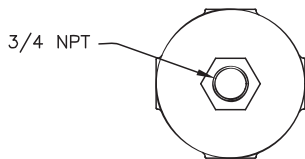
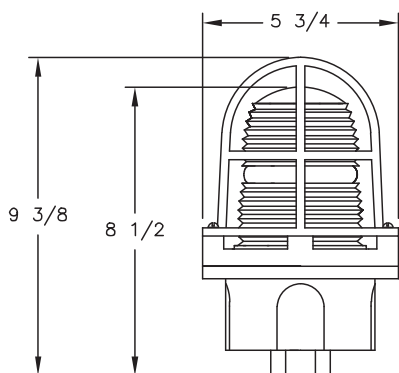
NPT Trade Size	Dead End	Thru Feed	90 Degree	X-Positions
1/2"	E1	C1	L1	X1
3/4"	E2	C2	L2	X2

SPARE PARTS

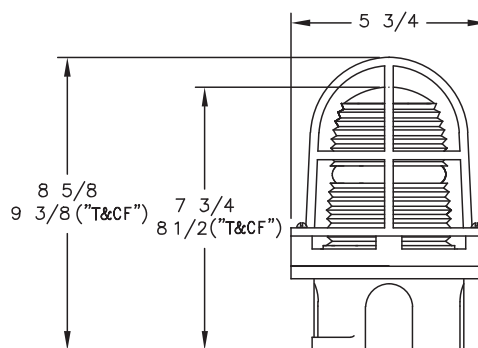
Part No.	Description
INX4000	LAMP HOLDER, Standard PBT
INX4000SP	LAMP HOLDER, Shockproof
INX4000P	LAMP HOLDER, Porcelain
FX4042	LAMP HOLDER, 13w compact fluorescent
FX4030	LAMP HOLDER, 18w compact fluorescent
FX4034	LAMP HOLDER, 26/32w compact fluorescent
INX1004B	GUARD
INX2058C	LENS (5" overall length), Clear
INX2058G	LENS (5" overall length), Green
INX2058B	LENS (5" overall length), Blue
INX2058R	LENS (5" overall length), Red
INX2058Y	LENS (5" overall length), Yellow
INX3528	LAMP, 100w A-19
FX3531	LAMP, 13w compact fluorescent
FX3552	LAMP, 18w compact fluorescent
FX3553	LAMP, 26w compact fluorescent
FX3554	LAMP, 32w compact fluorescent
CX3070	TERMINAL BLOCK, 4 pole
CX3076	TERMINAL BLOCK, 6 pole
GKT1143	GASKET SET
FX5206	BALLAST, 120VAC 60Hz
FX5242	BALLAST, 277VAC 60Hz
INX6699A	GLOBE BASE, ALUMINUM
INX6699B	GLOBE BASE, BRASS
INX6508A	GLOBE RING, ALUMINUM
INX6508B	GLOBE RING, BRASS

ProMark **1158/1159**/br

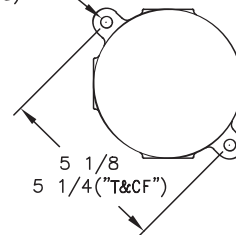
DIMENSIONS



1158GRD



Ø11/32 MNTG.
 HOLES (2 PLCS)







1159GRD

Dimensions in inches

BRASS

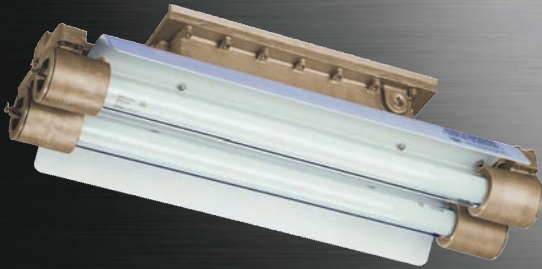
Hazardous Area Certified Lighting

HazSpot Spot Lights	HazGuard Globe & Guard	HazMark Marker Lights	HazStrobe Strobe Lights
746D2/br - Pg. 294 	707/717/727/br - Pg. 296 	1158D2/1159D2/br - Pg. 302 	7120/7121/br - Pg. 304 

XPFMax Explosionproof Linear Fluorescent	XPFGuard Explosionproof Globe & Guard	XPFStrobe Explosionproof Strobe Lights	XPFBeacon Explosionproof Rotating Beacons
Commander/br - Pg. 290 (FEPR) 	EP/br - Pg. 298 	EPN/br - Pg. 306 	EPB/EPC/EPP/br - Pg. 308 

XPF

XPFMax Commander/br



FEATURES

- High output luminaire, up to 40,000 raw lumens.
- Available with two T5/T5HO lamps in each globe assembly.
- Fluorescent system provides energy savings up to 50% when compared to HID.
- Multi voltage electronic ballast resistant to brownouts or voltage and frequency fluctuations.
- Ease of maintenance with factory sealed, field replaceable globe assemblies.
- Provided with 4100° K, low mercury TPLC compliant lamps.
- Impact resistant borosilicate glass tubes.
- Re-lamping from either end of the luminaire allows for flexible positioning.
- Adjustable mounting brackets allow a 180° range of aiming positions.
- Integral safety cable mounting points.
- Spring loaded lamp holders for maximum vibration resistance.
- Optional self contained emergency battery backup ballasts.
- Optional long life T5 lamps available upon request (consult factory).

APPLICATIONS

- Class I, II & III Division 1 explosive atmospheres
- High, mid & low bay
- Oil and gas exploration and production
- Marine and watertight requirements
- Dusttight requirements

APPROVALS

- Class I Division 1 Groups C & D
- Class II Zone 1 Groups IIA & IIB
- Class II Divisions 1 & 2 Groups E, F & G
- Class III
- Conforms to IP66
- Marine Outside Type Saltwater
- Paint Spray Booth Approval (Optional)
- ABS

STANDARDS

- UL 844 - Hazardous Locations
- UL 924 - Emergency Lighting Equipment
- UL 1598A - Luminaires for Marine Vessels
- CSA - Class 3428 03
- CSA - Class 3428 83

TECHNICAL SPECIFICATIONS

HOUSING

Cast marine brass. Optional nickel plated brass end caps.

HARDWARE

Stainless steel.

REFLECTOR

Marine brass with an electrostatically applied white polyester powder coat finish. Minimum 90% reflectance.

GLOBE ASSEMBLY

Factory sealed field replaceable globe assembly. High impact resistant tempered borosilicate glass.

LAMP HOLDERS

Spring loaded for T5, T5HO, T8 & T12 lamp types. Engineered plastics, no urea materials.

ENTRIES

Two 3/4" NPT outlets, one plugged.

MOUNTING

Two adjustable surface mount brackets with 3/8" Ø mounting holes. Two beam clamps and one 48" stainless steel safety cable with snap hook provided.

GUARD

Optional, stainless steel.

LAMP TYPES

See ORDERING REFERENCES. Lamps provided.

BALLAST

120 to 277 volt 50/60 Hz electronic, optional 347v and 480v.

EMERGENCY BATTERY BACKUP BALLAST

Optional, self contained 90 minute minimum for all lamp types. 120 minutes minimum for F32T8 one lamp. Starting temperature 32°F/0°C.

ORDERING REFERENCES

1. Series
FEPR

2. Number of Lamps
 1 - 1 lamp
 2 - 2 lamps
 - Single globe assembly for T5 lamp types
 - Two globe assemblies for T8 & T12 lamp types
 3 - 3 lamps
 4 - 4 lamps
 - Two globe assemblies for T5 lamp types
 - Four globe assemblies for T8 & T12 lamp types
 6* - 6 lamps
 - Three globe assemblies for T5 lamp types
 8 - 8 lamps
 - Four globe assemblies for T5 lamp types
 *Not for marine applications.

3. Lamp Types
 14 - 2 ft F14 T5 Mini Bi-Pin
 17 - 2 ft F17 T8 Bi-Pin
 24 - 2 ft F24 T5HO Mini Bi-Pin
 28 - 4 ft F28 T5 Mini Bi-Pin
 32 - 4 ft F32 T8 Bi-Pin
 35 - 2 ft F24 T12HO RDC
 54 - 4 ft F54 T5HO Mini Bi-Pin
 60 - 4 ft F48 T12HO RDC

4. Housing
B - Marine Brass

5. Special Options
 EM1* - Emergency Battery Backup Ballast, 1 lamp, 277v max
 EMT1* - Emergency Battery Backup Ballast, 1 lamp, 277v max, test switch
 EM2** - Emergency Battery Backup Ballast, 1 lamp, 277v max
 EMT2** - Emergency Battery Backup Ballast, 1 lamp, 277v max, test switch
 EM3** - Emergency Battery Backup Ballast, high lumen, 1 lamp, 277v max
 EMT3** - Emergency Battery Backup Ballast, high lumen, 1 lamp, 277v max, test switch
 LL - Long Life Lamps (F54T5HO only)
 GRD - Stainless Steel Wire Guard
 CY4 - Pendant Mount 3/4" NPT
 TLT - Tilt Mount Brackets
 SM - Shock and Vibration Mount
 T - Terminal Block
 NP - Nickel Plated Brass End Cap Assemblies
 -346 - 347 Volt 60 Hz, consult factory for availability
 -486 - 480 Volt 60 Hz, consult factory for availability

*T5/T5HO models only.
 **Not for T5/T5HO models.

Notes:
 1. Consult factory for options not listed.

SPARE PARTS

Part No.	Description	Part No.	Description	Part No.	Description
FX5350	BALLAST 120-277V 60HZ, 1 x 14, F14T5	FX5346-HDU	EMERGENCY BATTERY BACKUP BALLAST, EM1/EMT1, T5 & T5HO 120-277v	FX9014B-32	COMPLETE GLOBE ASSEMBLY, 32w, 4 ft models
FX5350	BALLAST 120-277V 60HZ, 1 x 28, F28T5	FX3573	LAMP, 14w, F14T5	FX9014B-60	COMPLETE GLOBE ASSEMBLY, 60w, 4 ft models
FX5355	BALLAST 120-277V 60HZ, 1 x 24, F24T5HO	FX3574	LAMP, 28w, F28T5	FX4622	LAMP HOLDERS (2 per lamp), 14/28w & 24/54w
FX5337	BALLAST 120-277V 60HZ, 1 x 54, F54T5HO	FX3568	LAMP, 24w, F24T5HO	FX4012	LAMP HOLDERS (2 per lamp), 17/32w
FX5174	BALLAST 120-277V 60HZ, 1 x 17, F17T8	FX3567	LAMP, 54w F54T5HO	FX4010	LAMP HOLDERS (2 per lamp), 35/60w
FX5221	BALLAST 120-277V 60HZ, 1 x 32, F32T8	FX3577	LAMP, 54w, Long Life F54T5HO	FX7007B	MOUNTING BRACKET, Standard
FX5334	BALLAST 120-277V 60HZ, 1 x 35, F24T12HO	FX3528	LAMP, 17w, F17T8	FX7005B	MOUNTING BRACKET, Tilt Kits (2 ea)
FX5334	BALLAST 120-277V 60HZ, 1 x 60, F48T12HO	FX3527	LAMP, 32w, F32T8	FX1013	GUARD, 1 lamp, 2 ft models
FX5350	BALLAST 120-277V 60HZ, 2 x 14, F14T5	FX3507	LAMP, 35w, F24T12HO	FX1004	GUARD, 2 lamp, 2 ft models
FX5350	BALLAST 120-277V 60HZ, 2 x 28, F28T5	FX3505	LAMP, 60w, F48T12HO	FX1010	GUARD, 3 lamp, 2 ft models
FX5355	BALLAST 120-277V 60HZ, 2 x 24, F24T5HO	FX9012B-214	COMPLETE GLOBE ASSEMBLY, 14w, 2 ft models	FX1004	GUARD, 4 lamp (2 required), 2 ft models
FX5337	BALLAST 120-277V 60HZ, 2 x 54, F54T5HO	FX9012B-224	COMPLETE GLOBE ASSEMBLY, 24w, 2 ft models	FX1014	GUARD, 1 lamp, 4 ft models
FX5340	BALLAST 120-277V 60HZ, 2 x 17, F17T8	FX9012B-17	COMPLETE GLOBE ASSEMBLY, 17w, 2 ft models	FX1002	GUARD, 2 lamp, 4 ft models
FX5340	BALLAST 120-277V 60HZ, 2 x 32, F32T8	FX9012B-35	COMPLETE GLOBE ASSEMBLY, 35w, 2 ft models	FX1005	GUARD, 3 lamp, 4 ft models
FX5334	BALLAST 120-277V 60HZ, 2 x 35, F24T12HO	FX9014B-228	COMPLETE GLOBE ASSEMBLY, 28w, 4 ft models	FX1002	GUARD, 4 lamp (2 required), 4 ft models
FX5338	BALLAST 120-277V 60HZ, 2 x 60, F48T12HO	FX9014B-254	COMPLETE GLOBE ASSEMBLY, 54w, 4 ft models	SC30H	SAFETY CABLE, 48" Stainless Steel with snap hook
FX5135U	EMERGENCY BATTERY BACKUP BALLAST, EM2/EMT2, CF, T8, T12, T12HO 120-277v			BC2K	Beam Clamp Kit (2 ea)
FX5095U	EMERGENCY BATTERY BACKUP BALLAST, EM3/EMT3, CF, T8, T12, T12HO 120-277v				

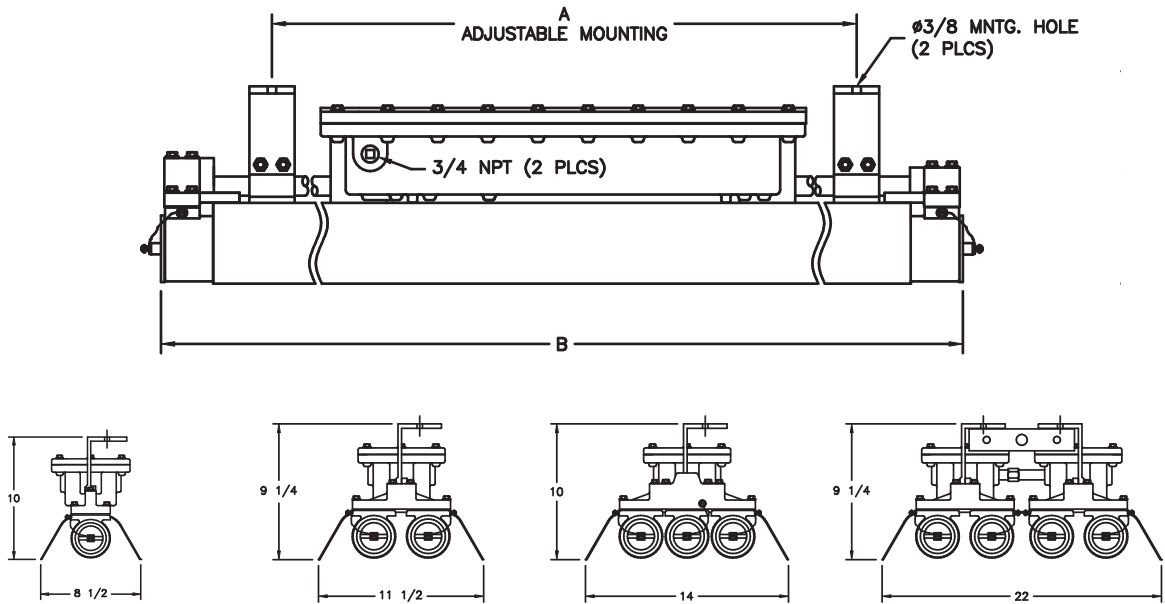
XPFMax Commander/br

TEMPERATURE CODES & APPROVALS

Lamp Wattage	Ballast/Socket Type	ANSI Lamp Code	Class I T-Code	Class I Division 1	Class II Divisions 1 & 2	Class III	Class II & III T-Code	Starting Temp	Maximum Ambient*	Supply Wire
14/28	T5 Mini Bi-Pin G5	F14/F28-T5	T5	C & D	E, F & G	Yes	T3C	0°F / -18°C	40°C	90°C
17	T8 Bi-Pin G13	F17-T8	T5	C & D	E, F & G	Yes	T3C	0°F / -18°C	40°C	90°C
32	T8 Bi-Pin G13	F32-T8	T5	C & D	E, F & G	Yes	T3C	-20°F / -29°C	40°C	90°C
24/54	T5HO Mini Bi-Pin G5	F24/F54-T5HO	T5	C & D	E, F & G	Yes	T3C	-20°F / -29°C	40°C	90°C
35/60	T12HO RDC R17d	F24/F48-T12HO	T5	C & D	E, F & G	Yes	T3C	-20°F / -29°C	40°C	90°C

*Consult factory for optional higher ambient models.

DIMENSIONS



Nominal Length	Dimensions in Inches / Centimeters		Globes	Carton L X W X D Inches	Nominal Weight - Lbs / Kg			
	A	B			1	2	3	4
2 Foot	18 1/2 - 22 1/2 / 47-57 ^{3/20}	30 / 76 1/2	1, 2 & 3	34 5/8 X 13 3/8 X 10 3/8 Consult Factory	31 / 14	40 / 18	53 / 24	83 / 38
			4					
4 Foot	18 1/2 - 46 / 47-116 ^{2/25}	54 / 137 ^{4/25}	1 & 2	58 3/4 x 12 3/4 x 10 55 11/16 x 17 3/4 x 10 9/16	37 / 17	48 / 22	62 / 28	100 / 45
			3 & 4					

FACTORY SEALED FIELD REPLACEABLE GLOBE ASSEMBLY

Commander Globe Replacement Instructions

Field replacement of the Commander globe assembly is easy, but should be done by a qualified person only. Remember to use caution when handling broken parts and glass.



1. Make sure that the power is off prior to any servicing.



2. Remove the end caps and cut the wire connections.



3. While supporting the globe end casting, loosen and remove the 4 bolts from each end.



4. Replace with a new globe assembly in the reverse order. Feed the wires back into the globe ends & bolt in place.



5. Rewire as per the diagram provided with the replacement globe. Check for proper lamp installation and replace end caps.



6. Reapply power and inspect for proper operation.

Haz

HazSpot 746D2/br



Lamp Suspension System

FEATURES

- Unique lamp suspension system design absorbs vibration to extend lamp life up to 50% longer than competitive brands.
- High temperature silicone gasket provides a watertight seal.
- Adjustable mounting allows 360° horizontal rotation, vertical positioning down 45° and up 90°. 60° up with handle option.
- Medium flood with optional narrow or wide beam pattern. Lamp included.
- Field replaceable lens and gasket.
- Protective guard available.



CHS Controls AB
Tel +46 42 38 61 00, Fax +46 42 38 61 29
chs@chscontrols.se www.chscontrols.se

APPLICATIONS

- Hazardous locations
- Marine and watertight requirements
- High vibration areas
- Oil and gas exploration and production

APPROVALS

- Class I Division 2 Groups A,B,C & D
- Class I Zone 2 Groups IIA, IIB, IIB + H2 and IIC
- Type 4X
- Conforms to IP66
- Marine Outside Type Saltwater
- ABS

STANDARDS

- UL 844 - Hazardous Locations
- UL 1598A - Luminaires for Marine Vessels

TECHNICAL SPECIFICATIONS

HOUSING

Cast marine brass.

MOUNTING BASE

Cast marine brass.

GUARD

Stainless steel, optional.

LENS

Clear heat resistant glass.

ENTRIES

One 1/2" NPT outlet, optional 3/4" NPT.

HARDWARE

Stainless steel.

GASKET

One piece silicone.

LAMP TYPE

300w Medium Floodlight PAR56 or 500w Quartz Halogen. Lamp included. Optional narrow spot or wide beam lamps.

LAMP HOLDER

Mogul end prong, porcelain. Low voltage lamps wired direct.

VOLTAGE OPERATION

Rated for operation on 120v. Optional 12v and 28v versions.

MOUNTING

Surface type.

TERMINAL BLOCK

2 pole terminal block.

ORDERING REFERENCES

PART NUMBER	DESCRIPTION	WEIGHT LBS	ANSI LAMP TYPE	T-CODE	AMBIENT	SUPPLY WIRE
746B	300W Incandescent	56.0	PAR-56/MFL	T1	40°C	110°C
746BQ	500W Quartz Halogen	56.0	PAR-56Q/ML	T1	40°C	110°C

SPECIAL OPTIONS

- GRD - Guard
- NSP* - Narrow Spot Light Type
- WFL* - Wide Floodlight Type
- HDL - Handle and Clamp
- 12 - 12v Medium Floodlight Type (300w)
- 28** - 28v Medium Floodlight Type (450w)

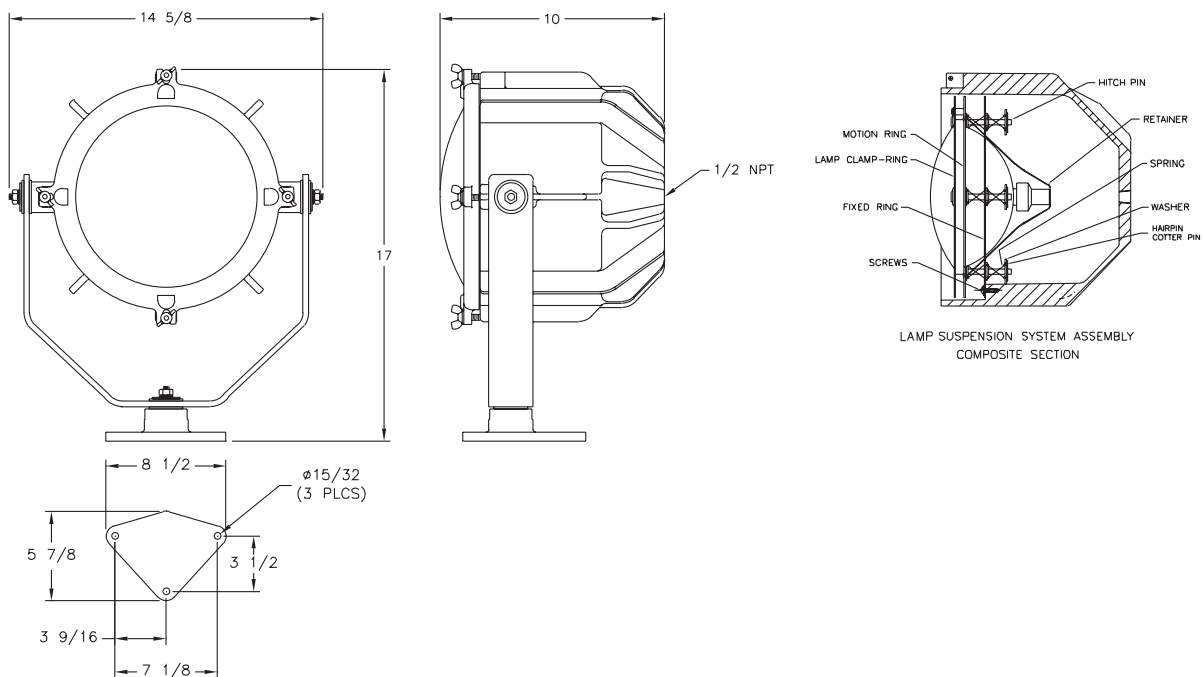
*For 120v only.

**10 hour lamp life.

SPARE PARTS

Part No.	Description	Part No.	Description
INX1014	LAMP HOLDER	INX3509	LAMP, 300w MFL 120v
INX1041	GUARD	INX3510	LAMP, 300w NSP 120v
GKT6095	FRAME GASKET	INX3581	LAMP, 300w WFL 120v
INX2143	LENS	INX3511	LAMP, 500w MFL 120v
INX9037B	LENS AND FRAME ASSEMBLY	INX3582	LAMP, 500w NSP 120v
INX7048B	STANDARD MOUNT	INX3583	LAMP, 500w WFL 120v
FX3001	TERMINAL BLOCK	INX3576	LAMP, 300w MFL 12v
INX8099	SWING BOLT/NUT KIT Stainless steel (4 per pkg)	INX3575	LAMP, 450w MFL 28v (10 hour lamp life)

DIMENSIONS



Dimensions in inches

Haz

HazGuard

707/717/727/br



FEATURES

- Up to 150w incandescent.
- High temperature silicone gaskets provide a watertight seal.
- Four pole terminal block.
- Protective guard provided.



CHS Controls AB
Tel +46 42 38 61 00, Fax +46 42 38 61 29
chs@chscontrols.se www.chscontrols.se

APPLICATIONS

- Ceiling, pendant and wall mount types
- Hazardous locations
- Marine and watertight requirements
- Oil and gas exploration and production

APPROVALS

- Class I Division 2 Groups A, B, C & D
- Class I Zone 2 Groups IIA, IIB, IIB + H2 and IIC
- Type 4X
- Conforms to IP66
- Marine Outside Type Saltwater
- ABS

STANDARDS

- UL 844 - Hazardous Locations
- UL 1598A - Luminaires for Marine Vessels

TECHNICAL SPECIFICATIONS

HOUSING

Cast marine brass.

GUARD

Cast marine brass.

HARDWARE

Stainless steel.

ENTRIES

Ceiling wall types supplied drilled and tapped with four 3/4" NPT outlets and three plugs. Pendant types supplied with one 3/4" NPT.

GASKET

One piece silicone.

MOUNTING

Ceiling, pendant or wall. Intended for lamp base-up mounting.

LAMP HOLDER

Medium base, high temperature PBT. Nickel plated copper screw shell. Shockproof optional.

GLOBE

Clear glass. Optional tempered.

LAMP TYPE

A-21 150w incandescent. Lamp not provided.

VOLTAGE

Rated to 250v.

TERMINAL BLOCK

Four pole 20 Amp terminal block housed in junction box.

TEMPERATURE CODES

Rating T2D at 40° C ambient. Supply wire 90° C.

ORDERING REFERENCES

PART NUMBER	DESCRIPTION	WEIGHT LBS
707BM7D2	Wall Mount	7.8
717BM7D2	Ceiling Mount	6.3
727BM7D2	Pendant Mount	6.5

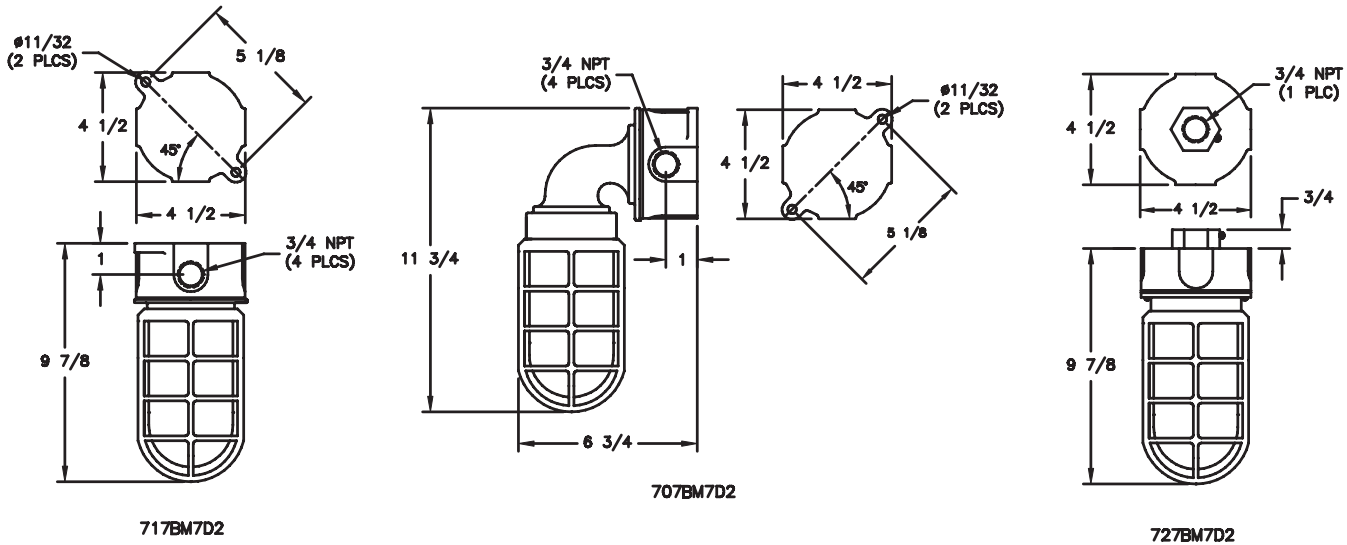
SPECIAL OPTIONS

- SP - Shockproof Lamp Holder
- HR - Heat Resistant Clear Glass Globe

SPARE PARTS

Part No.	Description	Part No.	Description
INX4000	LAMP HOLDER, Standard PBT	INX2007CLR	GLASS GLOBE, Clear
INX4000SP	LAMP HOLDER, Shockproof	INX2007HR	GLASS GLOBE, Clear Heat Resistant
INX1037B/SCR	GUARD	INX3558	LAMP, 150w A-21
GKT2002SIL	GASKET, Globe	CX3070	TERMINAL BLOCK, 4 pole
GKT3000SIL	GASKET, Junction Box		

DIMENSIONS



Dimensions in inches

XPF

XPFGuard EP/br



FEATURES

- Available in 100w and 200w incandescent or 18w, 26w and 32w compact fluorescent.
- Field replaceable, factory sealed globe assembly.
- Heat and impact resistant clear glass globe.
- Neoprene gaskets resist petroleum and provide a watertight seal.
- Available without reflector, with shallow dome reflector or 30° angled reflector.
- Protective guard provided.
- Optional colored globes available.

APPLICATIONS

- Class I Division 1 explosive atmospheres
- Ceiling, pendant and wall mount types
- Oil and gas exploration and production
- Marine and watertight requirements

APPROVALS

- Class I Divisions 1 & 2 Groups C & D
- Type 4X
- Conforms to IP66
- Marine Outside Type Saltwater
- ABS

STANDARDS

- UL 844 - Hazardous Locations
- UL 1598A - Luminaires for Marine Vessels
- CSA - C22.2 No. 137-M1981

TECHNICAL SPECIFICATIONS

HOUSING

Cast marine brass.

GUARD

Cast marine brass.

HARDWARE

Stainless steel.

ENTRIES

Standard one 1/2" NPT outlet. Up to 3/4" NPT four way available. See ENTRY OPTIONS for selections.

GASKET

One piece neoprene.

MOUNTING

Ceiling, pendant or wall. Intended for lamp base-up mounting.

LAMP HOLDER

Medium base, high temperature PBT. Nickel plated copper screw shell. Shockproof optional. Compact fluorescent polycarbonate.

GLOBE

Clear tempered glass, optional colored globes: blue, green red or yellow.

REFLECTOR

Optional 30° angled or shallow dome Acrylonitrile Butadiene Styrene (ABS), gloss white.

LAMP TYPE

A-19 incandescent, A-21 incandescent or 4-pin compact fluorescent. Lamp not provided.

VOLTAGE

Incandescent rated up to 250v.

Compact fluorescent rated to 120v 50/60Hz or optional 277v 50/60Hz.

TERMINAL BLOCK

Optional 4 pole, incandescent models only.

TEMPERATURE CODES

At 40°C ambient temperature:

Lamp Wattage	Globe Color	T-Code	Supply Wire
100w	Clear	T4	60°C
200w	Clear	T3B	125°C
200w	Colored	T2D	105°C
18/26/32w	Clear	T6	75°C
18/26/32w	Colored	T2D	105°C

ORDERING REFERENCES

PART NUMBER	DESCRIPTION	LAMP SIZE	WEIGHT LBS
EPB46B	Wall Mount without Reflector	A-19 100w	27.3
EPB47B	Wall Mount without Reflector	A-21 200w	29.0
FEPB47B-#	Wall Mount without Reflector	CF	29.0
EPB48B	Wall Mount with 30° Angled Reflector	A-19 100w	30.0
EPB49B	Wall Mount with 30° Angled Reflector	A-21 200w	31.8
FEPB49B-#	Wall Mount with 30° Angled Reflector	CF	31.8
EPC30B	Ceiling Mount without Reflector	A-19 100w	20.0
EPC31B	Ceiling Mount without Reflector	A-21 200w	22.0
FEPC31B-#	Ceiling Mount without Reflector	CF	22.0
EPC34B	Ceiling Mount with Shallow Dome Reflector	A-19 100w	21.5
EPC35B	Ceiling Mount with Shallow Dome Reflector	A-21 200w	25.0
FEPC35B-#	Ceiling Mount with Shallow Dome Reflector	CF	25.0
EPC36B	Ceiling Mount with 30° Angled Reflector	A-19 100w	23.0
EPC37B	Ceiling Mount with 30° Angled Reflector	A-21 200w	25.0
FEPC37B-#	Ceiling Mount with 30° Angled Reflector	CF	25.0
EPP38B	Pendant Mount without Reflector	A-19 100w	18.3
EPP39B	Pendant Mount without Reflector	A-21 200w	20.0
FEPP39B-#	Pendant Mount without Reflector	CF	20.2
EPP42B	Pendant Mount with Shallow Dome Reflector	A-19 100w	19.5
EPP43B	Pendant Mount with Shallow Dome Reflector	A-21 200w	23.0
FEPP43B-#	Pendant Mount with Shallow Dome Reflector	CF	23.2
EPP44B	Pendant Mount with 30° Angled Reflector	A-19 100w	21.0
EPP45B	Pendant Mount with 30° Angled Reflector	A-21 200w	23.0
FEPP45B-#	Pendant Mount with 30° Angled Reflector	CF	23.2

Enter compact fluorescent (CF) wattage desired: 18, 26 or 32.

SPECIAL OPTIONS

- SP - Shockproof Lamp Holder
- T* - Terminal Block (4 pole)
- B - Blue Globe (For 200w & CF)
- G - Green Globe (For 200w & CF)
- R - Red Globe (For 200w & CF)
- Y - Yellow Globe (For 200w & CF)
- 276** - 277v 60Hz

*Available on incandescent wall & ceiling models only.

**Available on compact fluorescent models only.

ENTRY OPTIONS

Wall and Ceiling Versions

NPT Trade Size	Dead End	Thru Feed	90 Degree	X-Positions
1/2"	Std.	C1	L1	X1
3/4"	E2	C2	L2	X2

Pendant Version

NPT Trade Size	Dead End
1/2"	Std.
3/4"	E2

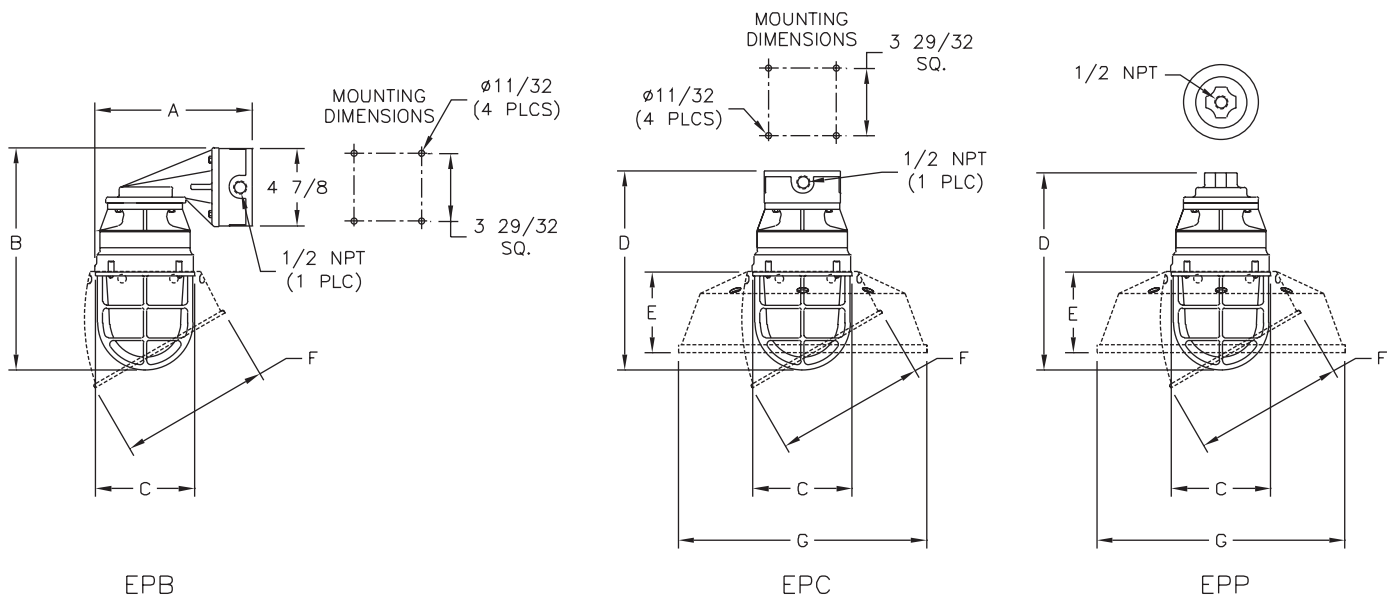
XPFGuard **EP**/br

SPARE PARTS

Part No.	Description	Part No.	Description
INX3528	LAMP, Incandescent, 100w	INX4540	REFLECTOR, 200w Angled
INX3557	LAMP, Incandescent, 200w	INX4000	LAMP HOLDER, Incandescent
FX3552	LAMP, Compact Fluorescent, 18w	FX4030	LAMP HOLDER, Compact Fluorescent
FX3553	LAMP, Compact Fluorescent, 26w	FX4034	LAMP HOLDER, Compact Fluorescent
FX3554	LAMP, Compact Fluorescent, 32w	FX5206	BALLAST, 120VAC
INX1004B	GUARD, 100w	FX5242	BALLAST, 277VAC
INX1005B	GUARD, 200w	INX9005B	GLOBE ASSEMBLY, 100w
INX4543	REFLECTOR, 100w Shallow	INX9012B	GLOBE ASSEMBLY, *200w
INX4538	REFLECTOR, 100w Angled		
INX4556	REFLECTOR, 200w Shallow		

* 200w only - for colored globe add suffix to end of Globe Assembly part number.
Blank - Clear B - Blue Globe G - Green Globe R - Red Globe Y - Yellow Globe

DIMENSIONS



Dimensions in inches

	A	B	C	D	E	F	G
60-100w	9 $\frac{3}{8}$ "	12 $\frac{1}{4}$ "	5 $\frac{3}{4}$ "	11 $\frac{1}{4}$ "	2 $\frac{3}{4}$ "	\emptyset 10 $\frac{5}{8}$ "	\emptyset 12 $\frac{1}{2}$ "
100-200w	9 $\frac{3}{4}$ "	14"	6 $\frac{1}{4}$ "	12 $\frac{1}{2}$ "	4 $\frac{5}{8}$ "	\emptyset 12 $\frac{1}{2}$ "	\emptyset 16 $\frac{3}{8}$ "

NOTES

Haz

HazMark 1158D2/1159D2/br



FEATURES

- Steady burn marker.
- Available up to 100w incandescent.
- High temperature silicone gaskets provide a watertight seal.
- Watertight mounting in any direction.
- Protective guard available.
- Heat and impact resistant glass fresnel lens in clear, yellow, green, red or blue.

APPLICATIONS

- Obstruction marking
- Heli-pad marking
- Hazardous locations
- Oil and gas exploration and production
- Ceiling/surface and stem/pendant mount types
- Marine and watertight requirements

APPROVALS

- Class I Division 2 Groups A, B, C & D
- Class I Zone 2 Groups IIA, IIB, IIB + H2 and IIC
- Type 4X
- Conforms to IP66
- ABS

STANDARDS

- UL 844 - Hazardous Locations
- UL 1598 - Luminaires

TECHNICAL SPECIFICATIONS

HOUSING

Cast marine brass.

GUARD

Optional, cast marine brass.

HARDWARE

Stainless steel.

ENTRIES

Stem/pendant type - one 3/4" NPT.

Ceiling/surface type - one 1/2" NPT, up to 3/4" NPT four way available.

See ENTRY OPTIONS for selections.

GASKETS

One piece silicone.

MOUNTING

Ceiling/surface or stem/pendant type.

LAMP HOLDER

Medium base, high temperature PBT. Nickel plated copper screw shell.

Porcelain or shockproof optional.

LENS

Tempered fresnel glass in clear, red, blue, green or yellow.

LAMP TYPE

A-19 100w Incandescent, 40w max when using blue lens. Lamp not provided.

VOLTAGE

Rated to 250v.

TERMINAL BLOCK

Optional 4 pole terminal block on ceiling/surface types.

TEMPERATURE CODES

Lens Color	Max A-19 Lamp Size	Temp Code at 40°C	
		Stem	Box
CLR	100w	T2	T2C
RED	100w	T2	T2C
BLU	40w	T2C	T3A
GRN	100w	T2	T2C
YEL	100w	T2	T2C

ORDERING REFERENCES

PART NUMBER	DESCRIPTION	LENS COLOR	WEIGHT LBS**
1158BCLRD2	Stem/Pendant	Clear	7.9
1158BREDD2	Stem/Pendant	Red	7.9
1158BBLUD2*	Stem/Pendant	Blue	7.9
1158BGRND2	Stem/Pendant	Green	7.9
1158BYELD2	Stem/Pendant	Yellow	7.9
1159BCLRD2	Ceiling/Surface	Clear	7.9
1159BREDD2	Ceiling/Surface	Red	7.9
1159BBLUD2*	Ceiling/Surface	Blue	7.9
1159BGRND2	Ceiling/Surface	Green	7.9
1159BYELD2	Ceiling/Surface	Yellow	7.9

*40w max for blue lens.

**Add 1.1 lbs for guard.

SPECIAL OPTIONS

- P - Porcelain Lamp Holder
- SP - Shockproof Lamp Holder
- T - Terminal Block, 4 pole (Ceiling/surface type)
- GRD - Guard

ENTRY OPTIONS

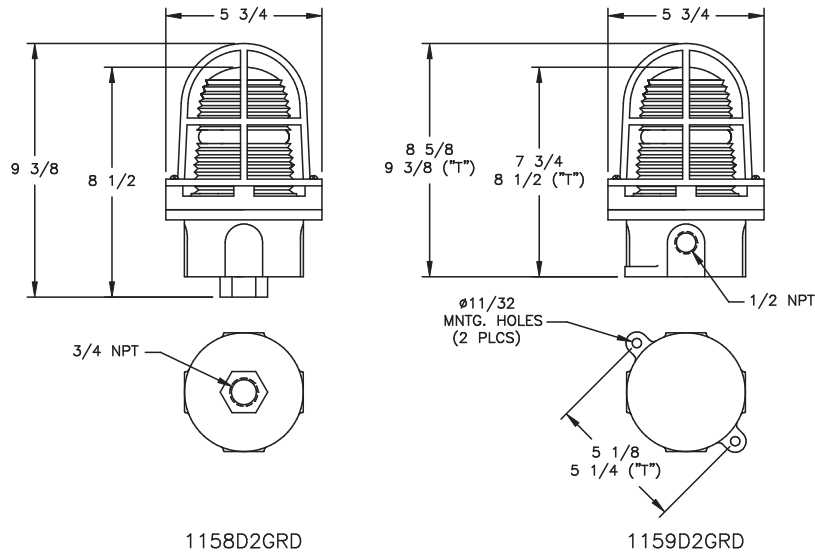
1159D2 Ceiling/surface type

NPT Trade Size	Dead End	Thru Feed	90 Degree	X-Positions
1/2"	Std.	C1	L1	X1
3/4"	E2	C2	L2	X2

SPARE PARTS

Part No.	Description
INX4000	LAMP HOLDER, Standard PBT
INX4000SP	LAMP HOLDER, Shockproof
INX4000P	LAMP HOLDER, Porcelain
INX1004B	LAMP HOLDER, GUARD
CX3070	TERMINAL BLOCK 4 Pole
GKT1143	GASKET Set
INX3531	LAMP, 40W A-19
INX3528	LAMP, 100w A-19
INX2058C	LENS (5" overall length), Clear
INX2058G	LENS (5" overall length), Green
INX2058B	LENS (5" overall length), Blue
INX2058R	LENS (5" overall length), Red
INX2058Y	LENS (5" overall length), Yellow

DIMENSIONS



Dimensions in inches

Haz

HazStrobe 7120/7121/br



FEATURES

- Strobe rated at 51.5 effective candle power (ECP).
- 7,000 hour strobe tube.
- High temperature silicone gaskets provide a watertight seal.
- Watertight mounting in any direction.
- Protective guard available.
- Heat and impact resistant glass fresnel lens in clear, yellow, green, red or blue.
- Rugged cast design for high abuse areas.



CHS Controls AB
Tel +46 42 38 61 00, Fax +46 42 38 61 29
chs@chscontrols.se www.chscontrols.se

APPLICATIONS

- Ceiling/surface and stem/pendant mounting types
- Hazardous locations
- Status/warning indication
- High ambient noise environments
- Obstruction marking
- Oil and gas exploration and production
- Marine and watertight requirements

APPROVALS

- Class I Division 2 Groups A, B, C & D
- Class I Zone 2 Groups IIA, IIB, IIB+H2 & IIC
- Type 4X
- Conforms to IP66
- ABS

STANDARDS

- UL 844 - Hazardous Locations
- UL 1598 - Luminaires
- CSA - C22.2 137-M1981

TECHNICAL SPECIFICATIONS

HOUSING

Cast marine brass.

GUARD

Optional, cast marine brass.

HARDWARE

Stainless steel.

ENTRIES

Stem/pendant type - one 3/4" NPT.

Ceiling/surface type - 3/4" NPT four way with three plugs.

See ENTRY OPTIONS for other selections.

GASKETS

One piece silicone.

MOUNTING

Ceiling/surface or stem/pendant.

LENS

Tempered fresnel glass in clear, red, blue, green or yellow.

LAMP TYPE

Xenon strobe.

FLASH RATE

65 to 95 FPM.

VOLTAGE

120v AC 50/60Hz. Other options available.

CURRENT DRAW

120v AC 50/60 Hz = .10 amps

240v AC 50/60 Hz = .07 amps

LV 12-48v DC = .44 - .10 amps

TERMINAL BLOCK

Four pole, optional for ceiling/surface type.

TEMPERATURE CODE

Rated T6 at 40°C ambient.

ORDERING REFERENCES

PART NUMBER	DESCRIPTION	LENS COLOR	WEIGHT LBS
7120BCG	Ceiling/Surface	Clear	9.0
7120BRG	Ceiling/Surface	Red	9.0
7120BBG	Ceiling/Surface	Blue	9.0
7120BGG	Ceiling/Surface	Green	9.0
7120BYG	Ceiling/Surface	Yellow	9.0
7121BCG	Stem/Pendant	Clear	9.0
7121BRG	Stem/Pendant	Red	9.0
7121BBG	Stem/Pendant	Blue	9.0
7121BGG	Stem/Pendant	Green	9.0
7121BYG	Stem/Pendant	Yellow	9.0

SPECIAL OPTIONS

LV	- 12v/48v DC
-240	- 240v 50/60Hz
D	- Guard
T	- Terminal Block, 4 pole (Ceiling/surface type)

ENTRY OPTIONS

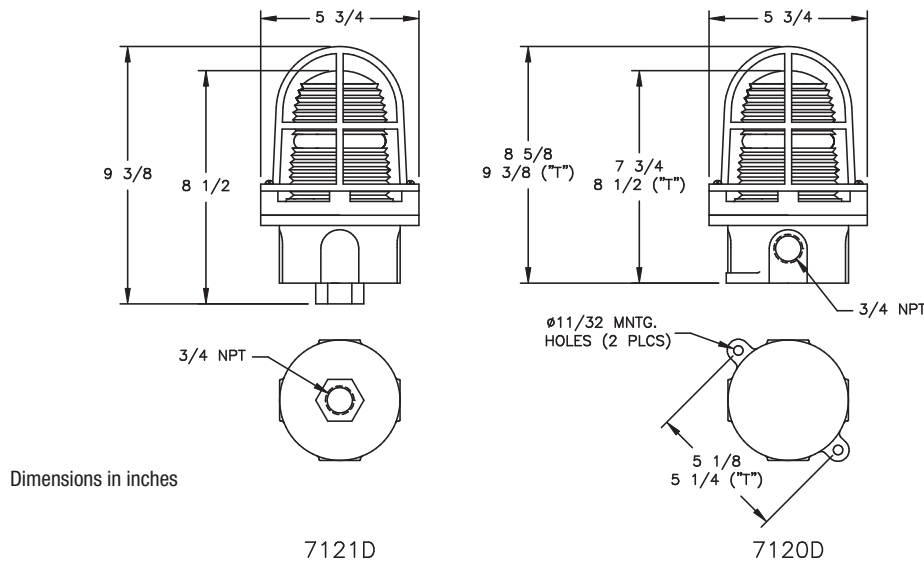
7120 Ceiling/Surface

NPT Trade Size	Dead End	Thru Feed	90 Degree	X-Positions
1/2"	E1	C1	L1	X1
3/4"	E2	C2	L2	Std.

SPARE PARTS

Part No.	Description
INX1004B	GUARD
INX2058C	LENS (5" overall height), Clear
INX2058G	LENS (5" overall height), Green
INX2058B	LENS (5" overall height), Blue
INX2058R	LENS (5" overall height), Red
INX2058Y	LENS (5" overall height), Yellow
INX3724	LAMP Xenon
GKT1143	GASKET SET
INX3390	CIRCUIT BOARD, 120v AC
INX3391	CIRCUIT BOARD, 240v AC
INX3392	CIRCUIT BOARD, 12/48v DC

DIMENSIONS



XPF

XPFStrobe EPN/br



FEATURES

- Strobe rated at 300 effective candle power (ECP).
- 10,000 hour strobe tube.
- Neoprene gasket resists petroleum and provides a watertight seal.
- Clear heat and impact resistant outer globe.
- Watertight mounting in any direction.
- Protective guard provided.
- Internal fresnel lens in clear, yellow, green, red or blue.
- Rugged cast design for high abuse areas.



CHS Controls AB
Tel +46 42 38 61 00, Fax +46 42 38 61 29
chs@chscontrols.se www.chscontrols.se

APPLICATIONS

- Class I Division 1 explosive atmospheres
- Ceiling, pendant and wall mounting types
- Status/warning indication
- High ambient noise environments
- Obstruction marking
- Oil and gas exploration and production
- Marine and watertight requirements

APPROVALS

- Class I Divisions 1 & 2 Groups C & D
- Type 4X
- Conforms to IP66
- ABS

STANDARDS

- UL 844 - Hazardous Locations
- UL 1598A - Luminaires for Marine Vessels
- UL 1638 - Marine Visual Signaling Device
- CSA - C22.2 137-M1981

TECHNICAL SPECIFICATIONS

HOUSING

Cast marine brass.

GUARD

Cast marine brass.

HARDWARE

Stainless steel.

ENTRIES

One 1/2" NPT. Up to 3/4" NPT four way available. See ENTRY OPTIONS for selections.

GASKETS

One piece neoprene.

MOUNTING

Ceiling, pendant or wall.

OUTER GLOBE

Clear tempered glass.

INTERNAL LENS

Polycarbonate fresnel in clear, red, blue, green or yellow.

LAMP TYPE

Xenon strobe.

FLASH RATE

DC - 80 FPM

AC - 90 FPM

VOLTAGE

120v AC 50/60Hz. Other options available.

CURRENT DRAW

12v DC = 1.7 amps

24v DC = .7 amps

120v AC 50/60Hz = .32 amps

240v AC 50/60Hz = .16 amps

TEMPERATURE CODE

Rated T6 at 40°C ambient.

ORDERING REFERENCES

PART NUMBER	DESCRIPTION	WEIGHT LBS
EPN7000B	Ceiling Mount	22.0
EPN7001B	Pendant Mount	20.0
EPN7002B	Wall Mount	29.0

SPECIAL OPTIONS

-5	- 12v DC
-6	- 24v DC
-4	- 240v AC 50/60Hz
RED	- Red Lens
BLU	- Blue Lens
GRN	- Green Lens
YEL	- Yellow Lens

ENTRY OPTIONS

7120 Wall and Ceiling Types

NPT Trade Size	Dead End	Thru Feed	90 Degree	X-Positions
1/2"	Std.	C1	L1	X1
3/4"	E2	C2	L2	X2

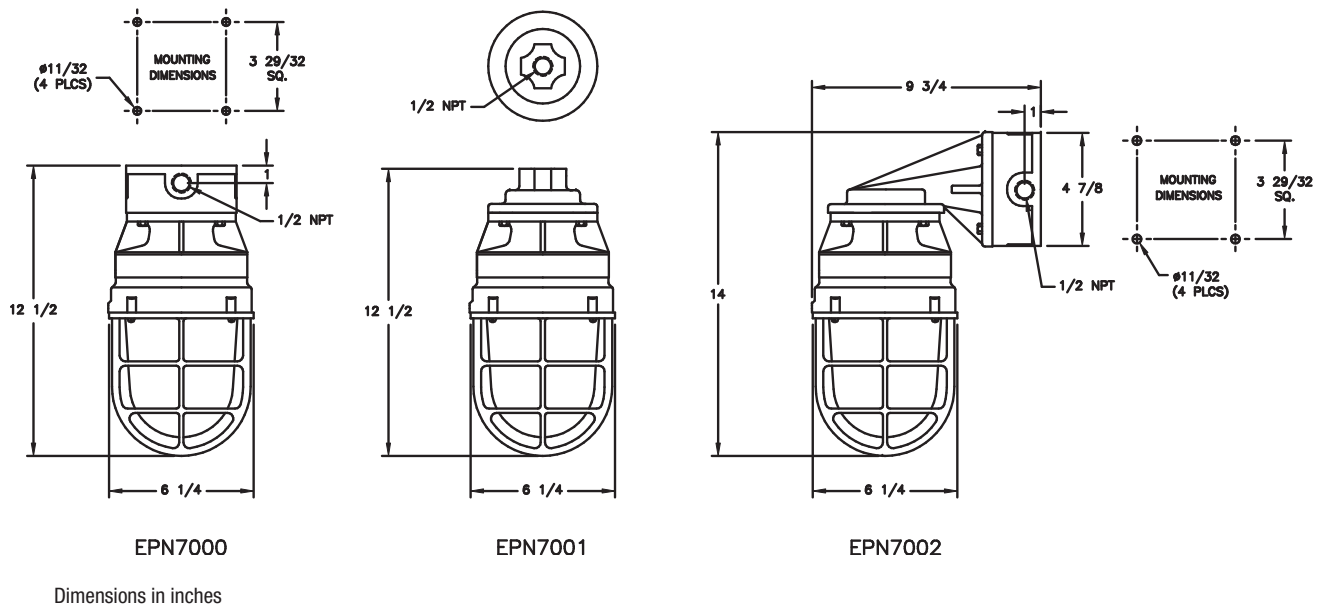
Pendant Types

NPT Trade Size	Dead End
1/2"	Std.
3/4"	E2

SPARE PARTS

Part No.	Description
INX1005B	GUARD
INX9012B	GLOBE ASSEMBLY
INX3648	LAMP
INX3636CLR	INTERNAL STROBE/LENS ASSEMBLY, 120v AC 50/60Hz, Clear Lens
INX3636RED	INTERNAL STROBE/LENS ASSEMBLY, 120v AC 50/60Hz, Red Lens
INX3636BLU	INTERNAL STROBE/LENS ASSEMBLY, 120v AC 50/60Hz, Blue Lens
INX3636GRN	INTERNAL STROBE/LENS ASSEMBLY, 120v AC 50/60Hz, Green Lens
INX3636YEL	INTERNAL STROBE/LENS ASSEMBLY, 120v AC 50/60Hz, Yellow Lens
INX3637CLR	INTERNAL STROBE/LENS ASSEMBLY, 12v-24v DC, Clear Lens
INX3637RED	INTERNAL STROBE/LENS ASSEMBLY, 12v-24v DC, Red Lens
INX3637BLU	INTERNAL STROBE/LENS ASSEMBLY, 12v-24v DC, Blue Lens
INX3637GRN	INTERNAL STROBE/LENS ASSEMBLY, 12v-24v DC, Green Lens
INX3637YEL	INTERNAL STROBE/LENS ASSEMBLY, 12v-24v DC, Yellow Lens
INX3639CLR	INTERNAL STROBE/LENS ASSEMBLY, 240v AC 50/60Hz, Clear Lens
INX3639RED	INTERNAL STROBE/LENS ASSEMBLY, 240v AC 50/60Hz, Red Lens
INX3639BLU	INTERNAL STROBE/LENS ASSEMBLY, 240v AC 50/60Hz, Blue Lens
INX3639GRN	INTERNAL STROBE/LENS ASSEMBLY, 240v AC 50/60Hz, Green Lens
INX3639YEL	INTERNAL STROBE/LENS ASSEMBLY, 240v AC 50/60Hz, Yellow Lens

DIMENSIONS



XPF

XPFBeacon EPB/EPC/EPP/br



FEATURES

- 75 RPM rotating reflector. Suitable for intermittent operation.
- Neoprene gasket resists petroleum and provides a watertight seal.
- Protective guard available.
- Heat and impact resistant tempered glass in clear, yellow, green, red or blue.
- Rugged cast design for high abuse areas.



CHS Controls AB
Tel +46 42 38 61 00, Fax +46 42 38 61 29
chs@chscontrols.se www.chscontrols.se

APPLICATIONS

- Class I Division 1 explosive atmospheres
- Ceiling, pendant and wall mounting types
- Warning indication
- High ambient noise environments
- Oil and gas exploration and production
- Marine and watertight requirements

APPROVALS

- Class I Divisions 1 & 2 Groups C & D
- Type 4X
- Conforms to IP66
- ABS

STANDARDS

- UL 844 - Hazardous Locations
- UL 1598A - Luminaires for Marine Vessels
- UL 1638 - Marine Visual Signaling Device
- CSA - C22.2 No. 137-M1981

TECHNICAL SPECIFICATIONS

HOUSING

Cast marine brass.

GUARD

Optional, cast marine brass.

REFLECTOR

Highly specular aluminum.

HARDWARE

Stainless steel.

ENTRIES

One 1/2" NPT. Up to 3/4" NPT four way available. See ENTRY OPTIONS for selections.

GASKET

One piece neoprene.

MOUNTING

For vertical mounting. Lamp base up or down.

GLOBE

Clear tempered glass. Optional colored: red, blue, green or yellow.

LAMP TYPE

100w quartz halogen, provided.

VOLTAGE

120v 50/60Hz. Optional 12v DC or 240v 50/60Hz. See SPECIAL OPTIONS for details.

TEMPERATURE CODE

Rated T3 at 40°C ambient.

ORDERING REFERENCES

PART NUMBER	DESCRIPTION	WEIGHT LBS
EPC7004B	Ceiling Mount	22.0
EPP7004B	Pendant Mount	20.0
EPB7004B	Wall Mount	29.0

SPECIAL OPTIONS

- 5 - 12v DC
- 4 - 240v 50/60Hz
- RED - Red Lens
- BLU - Blue Lens
- GRN - Green Lens
- YEL - Yellow Lens
- GRD - Guard

ENTRY OPTIONS

Wall and Ceiling Types

NPT Trade Size	Dead End	Thru Feed	90 Degree	X-Positions
1/2"	Std.	C1	L1	X1
3/4"	E2	C2	L2	X2

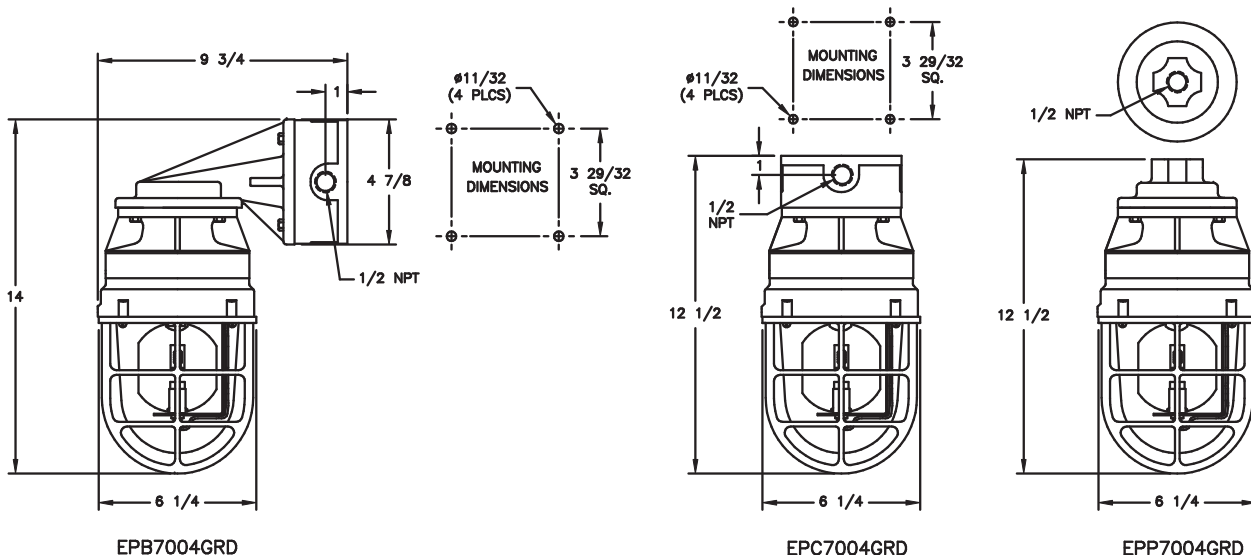
Pendant Types

NPT Trade Size	Dead End
1/2"	Std.
3/4"	E2

SPARE PARTS

Part No.	Description
INX1005B	GUARD
INX4011	LAMP HOLDER
INX3345	MOTOR, 120v AC 50/60Hz
INX3345-4	MOTOR, 240v AC 50/60Hz
INX3345-5	MOTOR, 12v DC
INX3629	LAMP, 100w Quartz Halogen 120v AC
INX3680	LAMP, 100w Quartz Halogen 240v AC
INX3671	LAMP, 100w Quartz Halogen 12v DC
INX9012B	GLOBE ASSEMBLY, Clear
INX9012BRED	GLOBE ASSEMBLY, Red
INX9012BBLU	GLOBE ASSEMBLY, Blue
INX9012BGRN	GLOBE ASSEMBLY, Green
INX9012BYEL	GLOBE ASSEMBLY, Yellow

DIMENSIONS



Dimensions in inches



HELIDECK

Hazardous Area Certified Lighting

HazHelideck Helideck Lighting

1158D2/1159D2/br - Pg. 312



1158D2/1159D2/al - Pg. 314



1157D2/br - Pg. 316



FWN/al - Pg. 318



FWN/ss - Pg. 320



HazHelideck 1158D2/1159D2/br



FEATURES

- CAP 437 compliant.
- Steady burn marker.
- High temperature silicone gaskets provide a watertight seal.
- Watertight mounting in any direction.
- Heat and impact resistant glass fresnel lens.
- Protective guard available.

APPLICATIONS

- CAP 437 requirements
- Obstruction marking
- Heli-pad marking
- Hazardous locations
- Ceiling/surface and stem/pendant mount types
- Marine and watertight requirements
- Oil and gas exploration and production

APPROVALS

- Class I Division 2 Groups A, B, C & D
- Class I Zone 2 Groups IIA, IIB, IIB + H2 and IIC
- Type 4X
- Conforms to IP66
- ABS

STANDARDS

- UL 844 - Hazardous Locations
- UL 1598 - Luminaires
- Complies with CAP 437

TECHNICAL SPECIFICATIONS

HOUSING

Cast marine brass.

GUARD

Optional cast marine brass.

HARDWARE

Stainless steel.

ENTRIES

Stem/pendant type - one 3/4" NPT.

Ceiling/surface type - one 1/2" NPT, up to 3/4" NPT four way available. See ENTRY OPTIONS for selections.

GASKETS

One piece silicone.

MOUNTING

Ceiling/surface or stem/pendant type.

LAMP HOLDER

Medium base, high temperature PBT. Nickel plated copper screw shell.

LAMP TYPE

A-19 100w vertical filament, provided.

LENS

Tempered green fresnel glass.

VOLTAGE

Rated to 250v.

TERMINAL BLOCK

Optional 4 pole terminal block. Not available on stem/pendant models.

TEMPERATURE CODES

Lens Color	Lamp Size	Temp Code at 40°C	
		Stem	Surface
GRN	A-19 100w VF	T2	T2C

ORDERING REFERENCES

PART NUMBER	MOUNT	WEIGHT LBS*
1158BGRND27	Stem/Pendant	7.9
1159BGRND27	Ceiling/Surface	7.9

*Add 1.1 lbs for guard.

SPECIAL OPTIONS

- T - 4 Pole Terminal Block (Ceiling/Surface models)
- GRD - Guard

ENTRY OPTIONS

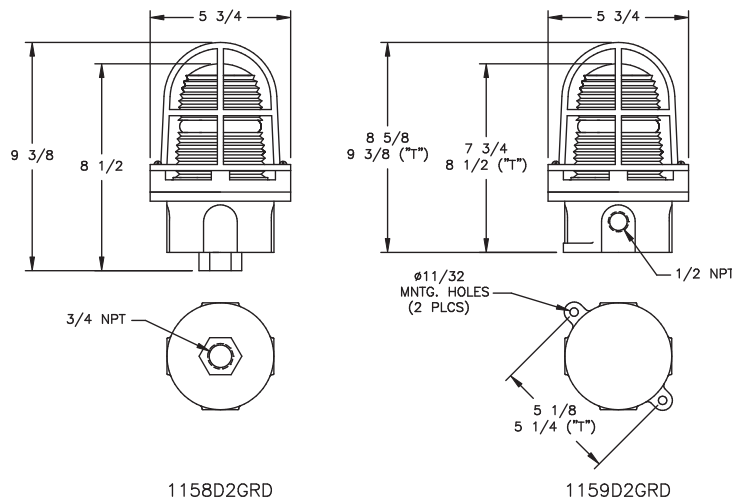
1159D2 Ceiling/Surface Models

NPT Trade size	Dead End	Thru Feed	90 Degree	X-Positions
1/2"	Std.	C1	L1	X1
3/4"	E2	C2	L2	X2

SPARE PARTS

Part No.	Description
INX4000	LAMP HOLDER, Standard PBT
CX3070	TERMINAL BLOCK 4 Pole
GKT1143	GASKET SET
INX1004B	GUARD
INX2058G-FS	LENS (5" Overall Length)
INX3737	LAMP A-19 100w VF

DIMENSIONS



Dimensions in inches

HazHelideck 1158D2/1159D2/al



FEATURES

- CAP 437 compliant.
- Steady burn marker.
- High temperature silicone gaskets provide a watertight seal.
- Watertight mounting in any direction.
- Heat and impact resistant glass fresnel lens.
- Protective guard available.

APPLICATIONS

- CAP 437 requirements
- Obstruction marking
- Heli-pad marking
- Hazardous locations
- Ceiling/surface and stem/pendant mount types
- Marine and watertight requirements
- Oil and gas exploration and production

APPROVALS

- Class I Division 2 Groups A, B, C & D
- Class I Zone 2 Groups IIA, IIB, IIB + H2 and IIC
- Type 4X
- Conforms to IP66
- ABS

STANDARDS

- UL 844 - Hazardous Locations
- UL 1598 - Luminaires
- Complies with CAP 437

TECHNICAL SPECIFICATIONS

HOUSING

Cast copper free aluminum.

GUARD

Optional cast copper free aluminum.

HARDWARE

Stainless steel.

ENTRIES

Stem/pendant type - one 3/4" NPT.

Ceiling/surface type - one 1/2" NPT, up to 3/4" NPT four way available. See ENTRY OPTIONS for selections.

GASKETS

One piece silicone.

MOUNTING

Ceiling/surface or stem/pendant type.

LAMP HOLDER

Medium base, high temperature PBT. Nickel plated copper screw shell.

LAMP TYPE

A-19 100w vertical filament, provided.

LENS

Tempered green fresnel glass.

VOLTAGE

Rated to 250v.

TERMINAL BLOCK

Optional 4 pole terminal block. Not available on stem/pendant models.

TEMPERATURE CODES

Lens Color	Lamp Size	Temp Code at 40°C	
		Stem	Surface
GRN	A-19 100w VF	T2	T2C

ORDERING REFERENCES

PART NUMBER	MOUNT	WEIGHT LBS*
1158AGRND27	Stem/Pendant	3.6
1159AGRND27	Ceiling/Surface	3.6

*Add .3 lbs for guard.

SPECIAL OPTIONS

- T - 4 Pole Terminal Block (Ceiling/Surface models)
- GRD - Guard

ENTRY OPTIONS

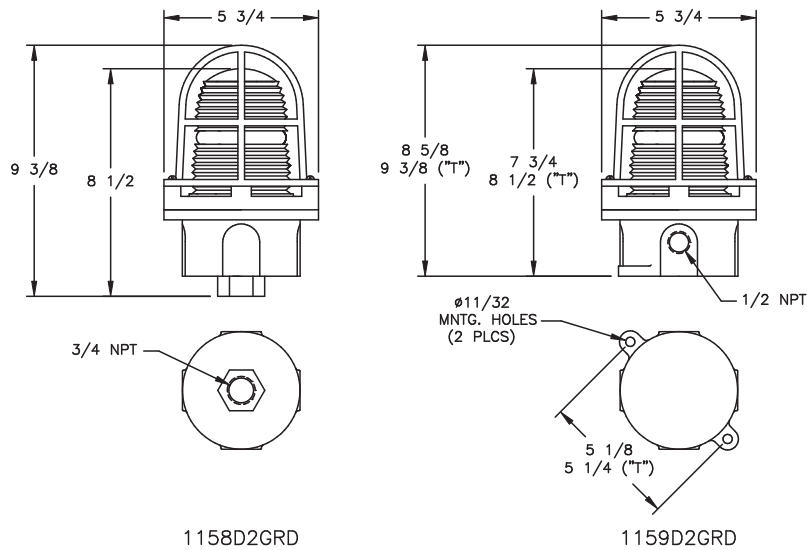
1159D2 Ceiling/Surface Models

NPT Trade Size	Dead End	Thru Feed	90 Degree	X-Positions
1/2"	Std.	C1	L1	X1
3/4"	E2	C2	L2	X2

SPARE PARTS

Part No.	Description
INX4000	LAMP HOLDER, Standard PBT
CX3070	TERMINAL BLOCK 4 Pole
GKT1143	GASKET SET
INX1004A	GUARD
INX2058G-FS	LENS (5" Overall Length)
INX3737	LAMP A-19 100w VF

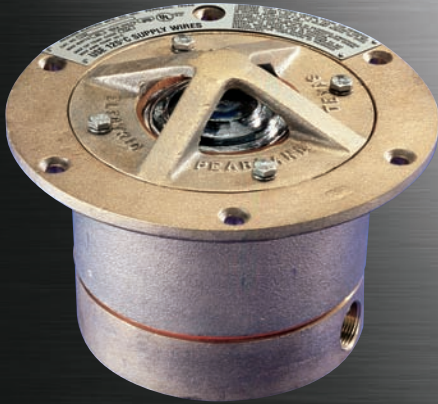
DIMENSIONS



Dimensions in inches

Haz

HazHelideck 1157D2/br



FEATURES

- Steady burn marker.
- Unique design allows re-lamping or servicing from either above or below deck.
- Protective guard provided.
- High temperature silicone gaskets provide a watertight seal.
- Heat and impact resistant glass in clear, yellow, green, red or blue.



CHS Controls AB
Tel +46 42 38 61 00, Fax +46 42 38 61 29
chs@chscontrols.se www.chscontrols.se

APPLICATIONS

- Recessed heli-pad marking
- Marine and watertight requirements
- Oil and gas exploration and production

APPROVALS

- Class I Division 2 Groups A, B, C & D
- Class I Zone 2 Groups IIA, IIB, IIB + H2 and IIC
- ABS
- Type 4X
- Conforms to IP67

STANDARDS

- UL 844 - Hazardous Locations
- UL 1598 - Luminaires

TECHNICAL SPECIFICATIONS

HOUSING/BASE/GUARD

Cast marine brass.

LENS

Tempered glass in clear, red, blue, green or yellow.

HARDWARE

Stainless steel.

ENTRIES

Two 3/4" NPT outlets. Other options available.

GASKETS

One piece silicone.

LAMP TYPE

A-19 60w incandescent. Lamp not provided.

LAMP HOLDER

Medium base.

VOLTAGE

Rated up to 250v.

MOUNTING

Recessed, through deck. See DIMENSIONS for details.

TEMPERATURE CODE

Rated T2A at 40°C ambient.

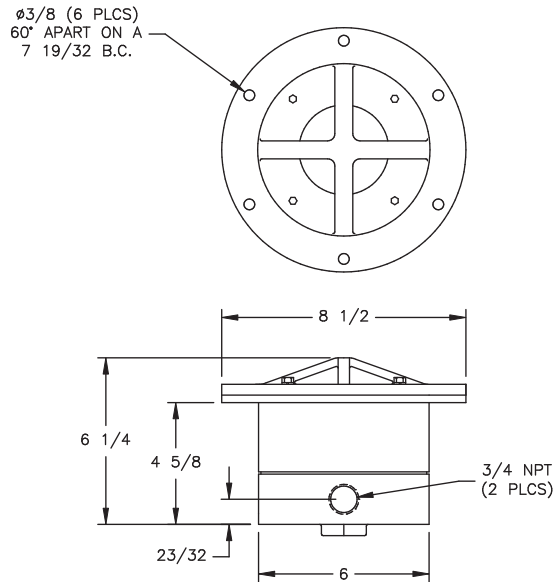
ORDERING REFERENCES

PART NUMBER	LENS COLOR	WEIGHT LBS
1157BCLRD2	Clear Lens	15.0
1157BREDD2	Red Lens	15.0
1157BBLUD2	Blue Lens	15.0
1157BGRND2	Green Lens	15.0
1157BYELD2	Yellow Lens	15.0

SPARE PARTS

Part No.	Description	Part No.	Description
INX4034	LAMP HOLDER	INX2127YEL	LENS, Yellow
INX1051B	GUARD	INX3526	LAMP 60w A-19
INX2127CLR	LENS, Clear	GKT3010SIL	Lens Cover
INX2127GRN	LENS, Green	GKT1166SIL	GASKET, Base
INX2127BLU	LENS, Blue	GKT2017SIL	GASKET, Deck
INX2127RED	LENS, Red	GKT1124	GASKET, Lens

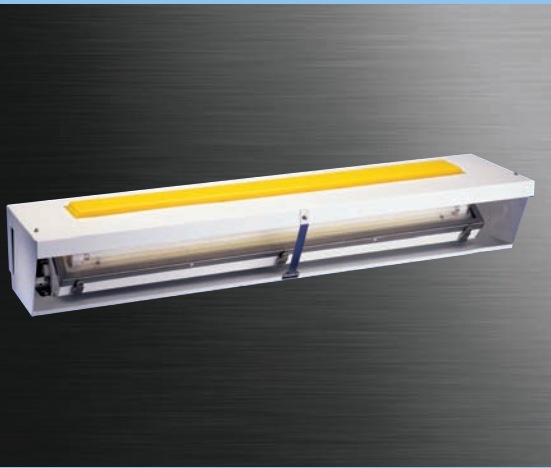
DIMENSIONS



Dimensions in inches

Haz

HazHelideck FWN/al



FEATURES

- Dual purpose heli-pad illumination and perimeter marking.
- Multi voltage electronic ballast resistant to brownouts or voltage and frequency fluctuations.
- Available in yellow and blue lens options.
- Shoc Loc™ Bi-Pin spring loaded lamp holders for T5, T8 and T12 lamp types, provide superior resistance to shock and vibration.
- Lens frame hinged on side for easy lamp replacement.
- Field replaceable stainless steel lens frame and latches.
- Neoprene gasket resists petroleum.
- Optional self contained emergency battery backup ballasts.
- Optional long life T5 lamps available upon request (consult factory).

APPLICATIONS

- Heli-pad illumination and perimeter marking
- Hazardous locations
- Marine and watertight requirements
- Dusttight requirements
- Oil and gas exploration and production

APPROVALS

- Class I Division 2 Groups A, B, C and D
- Class I Zone 2 Groups IIA, IIB, IIB+ H2 and IIC
- Class II Division I Groups E, F and G
- Class III
- Type 4X
- IP66
- Marine Outside Type Saltwater
- ABS

STANDARDS

- UL 844 - Hazardous Locations
- UL 924 - Emergency Lighting Equipment
- UL 1598A - Luminaires for Marine Vessels
- CSA - Class 3428 03
- CSA - Class 3428 83

TECHNICAL SPECIFICATIONS

OUTER SHELL

.062 inch thick. Type 5052H32 aluminum with an electrostatically applied white polyester powder coat finish.

OUTER DIFFUSER

Polycarbonate, yellow or blue.

INTERIOR LUMINAIRE HOUSING

.062 inch thick. Type 5052H32 aluminum with an electrostatically applied polyester powder coat finish.

INTERIOR LUMINAIRE LENS

0.125 inch thick DR acrylic drop lens.

REFLECTOR

Type 5052H32 aluminum with an electrostatically applied white polyester powder coat finish. Minimum 90% reflectance.

HARDWARE

Stainless steel.

GASKET

One piece neoprene.

MOUNTING

Surface type. See DIMENSIONS for details.

LATCHES

Stainless steel positive-locking spring loaded.

LENS FRAME

Type 304 stainless steel, hinged on side.

LAMP HOLDERS

Spring loaded on one end for linear lamp types.

ENTRIES

3/4" NPT feed-through outlets, one plugged.

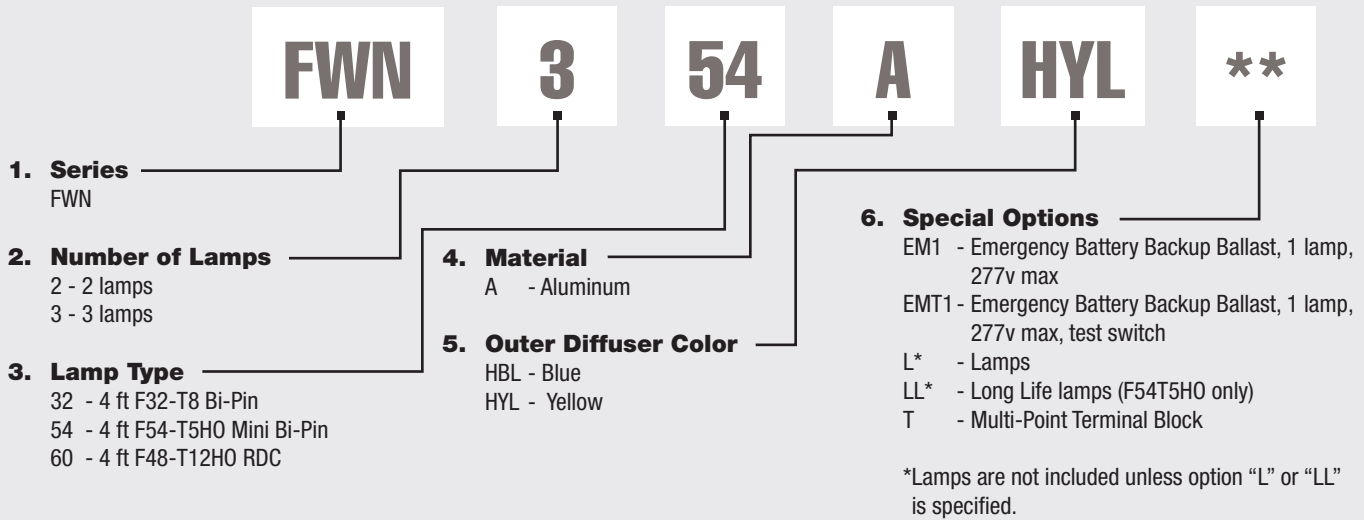
BALLAST

120 to 277 volt 50/60Hz electronic, optional 347v and 480v.

EMERGENCY BATTERY BACKUP BALLAST

Optional, self contained 90 minute minimum for all lamp types. 120 minute minimum for F32T8 one lamp. Starting temperature 32°F/0°C.

ORDERING REFERENCES



- Notes:
 1. Consult factory for options not listed.

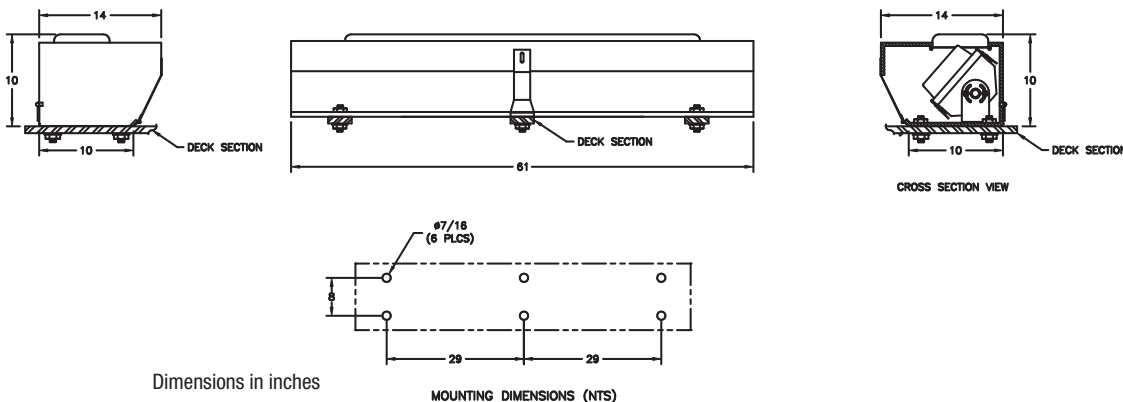
SPARE PARTS

Part No.	Description
FX5221	BALLAST, 120-277V AC 50/60HZ, F32T8, 1 x 32
FX5340	BALLAST, 120-277V AC 50/60HZ, F32T8, 2 x 32
FX5305	BALLAST, 120-277V AC 50/60HZ, F54T5HO, 1 x 54
FX5305	BALLAST, 120-277V AC 50/60HZ, F54T5HO, 2 x 54
FX5334	BALLAST, 120-277V AC 50/60HZ, F48T12HO, 1 x 60
FX5334	BALLAST, 120-277V AC 50/60HZ, F48T12HO, 2 x 60
FX3527	LAMP, 32w, F32T8
FX3567	LAMP, 54w, F54T5HO
FX3577	LAMP, 54w, Long Life F54T5HO
FX3505	LAMP, 60w, F48T12HO
GKT6088-117.5	INTERIOR LENS GASKET
FX4008	LAMP HOLDER, Stationary, 32w & 54w
FX4009	LAMP HOLDER, Spring, 32w & 54w
FX4004	LAMP HOLDER, Stationary, 60w
FX4005	LAMP HOLDER, Spring, 60w
FX7027A	INTERIOR MOUNTING BRACKET
FX2024XYEL	OUTER DIFFUSER, Yellow Lens
FX2024XBLU	OUTER DIFFUSER, Blue Lens

TEMPERATURE CODES & APPROVALS

Lamp Wattage	Ballast/Socket Type	ANSI Lamp Code	Class I T-Code	Class I Division 2	Class II Division 1	Class III	Class II & III T-Code	Starting Temp	Maximum Ambient	Supply Wire
32	T8 Bi-Pin G13	F32-T8	T5/T4A	A,B,C & D	E, F & G	Yes	T3C	-20°F / -29°C	40°/55°C	90°C
54	T5HO Mini Bi-Pin G5	F54-T5HO	T3C	A,B,C & D	E, F & G	Yes	T3C	-20°F / -29°C	40°C	90°C
60	T12HO RDC R17d	F48-T12HO	T3C	A,B,C & D	E, F & G	Yes	T3C	-20°F / -29°C	40°C	90°C

DIMENSIONS



Haz

HazHelideck FWN/ss



FEATURES

- Dual purpose heli-pad illumination and perimeter marking.
- Multi voltage electronic ballast resistant to brownouts or voltage and frequency fluctuations.
- Stainless steel housing, lens frame, mounting brackets and latches.
- Available in yellow and blue lens options.
- Shoc Loc™ Bi-Pin spring loaded lamp holders for T5, T8 and T12 lamp types, provide superior resistance to shock and vibration.
- Lens frame hinged on side for easy lamp replacement.
- Field replaceable stainless steel lens frame and latches.
- Neoprene gasket resists petroleum.
- Optional self contained emergency battery backup ballasts.
- Optional long life T5 lamps available upon request (consult factory).

APPLICATIONS

- Heli-pad illumination and perimeter marking.
- Hazardous locations
- Marine and watertight requirements
- Dusttight requirements
- Oil and gas exploration and production

APPROVALS

- Class I Division 2 Groups A, B, C and D
- Class I Zone 2 Groups IIA, IIB, IIB+ H2 and IIC
- Class II Division I Groups E, F and G
- Class III
- Type 4X
- IP66
- Marine Outside Type Saltwater
- ABS

STANDARDS

- UL 844 - Hazardous Locations
- UL 924 - Emergency Lighting Equipment
- UL 1598A - Luminaires for Marine Vessels
- CSA - Class 3428 03
- CSA - Class 3428 83

TECHNICAL SPECIFICATIONS

OUTER SHELL

.062 inch thick type 304 stainless steel. Optional type 316.

OUTER DIFFUSER

Polycarbonate, yellow or blue.

INTERIOR LUMINAIRE HOUSING

.062 inch thick type 304 stainless steel. Optional type 316.

INTERIOR LUMINAIRE LENS

0.125 inch thick DR acrylic drop lens

REFLECTOR

Type 5052H32 aluminum with an electrostatically applied white polyester powder coat finish. Minimum 90% reflectance.

HARDWARE

Stainless steel.

GASKET

One piece neoprene.

MOUNTING

Surface type. See DIMENSIONS for details.

LATCHES

Stainless steel positive-locking spring loaded.

LENS FRAME

Type 304 stainless steel, hinged on side. Optional type 316.

LAMP HOLDERS

Spring loaded on one end for linear lamp types.

ENTRIES

3/4" NPT feed-through outlets, one plugged.

BALLAST

120 to 277 volt 50/60Hz electronic, optional 347v and 480v.

EMERGENCY BATTERY BACKUP BALLAST

Optional, self contained 90 minute minimum for all lamp types. 120 minute minimum for F32T8 one lamp. Starting temperature 32°F/0°C.

ORDERING REFERENCES

FWN 3 54 S HYL **

- Series**
FWN
- Number of Lamps**
2 - 2 lamps
3 - 3 lamps (Not available in 60w)
- Lamp Type**
32 - 4 ft F32-T8 Bi-Pin
54 - 4 ft F54-T5HO Mini Bi-Pin
60 - 4 ft F48-T12HO RDC
- Material**
S - Type 304 Stainless steel
- Outer Diffuser Color**
HBL - Blue
HYL - Yellow
- Special Options**
 EM1 - Emergency Battery Backup Ballast, 1 lamp, 277v max
 EMT1 - Emergency Battery Backup Ballast, 1 lamp, 277v max, test switch
 L* - Lamps
 LL* - Long Life lamps (F54T5HO only)
 T - Multi-Point Terminal Block
 Z - Type 316 Stainless Steel Housing, lens frame
 *Lamps are not included unless option "L" or "LL" is specified.

Notes:
 1. Consult factory for options not listed.

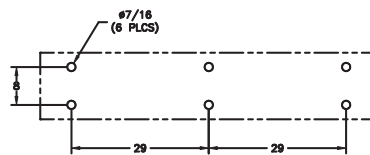
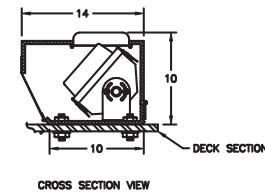
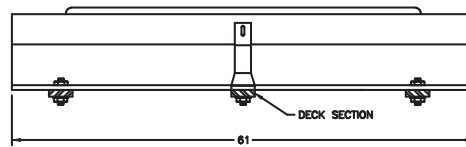
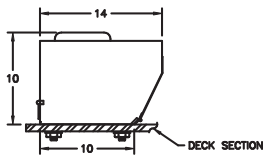
SPARE PARTS

Part No.	Description	Part No.	Description
FX5221	BALLAST, 120-277V AC 50/60HZ, F32T8, 1 x 32	GKT6088-117.5	INTERIOR LENS GASKET
FX5340	BALLAST, 120-277V AC 50/60HZ, F32T8, 2 x 32	FX4008	LAMP HOLDER, Stationary, 32w & 54w
FX5305	BALLAST, 120-277V AC 50/60HZ, F54T5HO, 1 x 54	FX4009	LAMP HOLDER, Spring, 32w & 54w
FX5305	BALLAST, 120-277V AC 50/60HZ, F54T5HO, 2 X 54	FX4004	LAMP HOLDER, Stationary, 60w
FX5334	BALLAST, 120-277V AC 50/60HZ, F48T12HO, 1 x 60	FX4005	LAMP HOLDER, Spring, 60w
FX5334	BALLAST, 120-277V AC 50/60HZ, F48T12HO, 2 x 60	FX7027S	INTERIOR MOUNTING BRACKET
FX3527	LAMP, 32w, F32T8	FX2024XYEL	OUTER DIFFUSER, Yellow Lens
FX3567	LAMP, 54w, F54T5HO	FX2024XBLU	OUTER DIFFUSER, Blue Lens
FX3577	LAMP, 54w, Long Life F54T5HO		
FX3505	LAMP, 60w, F48T12HO		

TEMPERATURE CODES & APPROVALS

Lamp Wattage	Ballast/Socket Type	ANSI Lamp Code	Class I T-Code	Class I Division 2	Class II Division 1	Class III	Class II & III T-Code	Starting Temp	Maximum Ambient	Supply Wire
32	T8 Bi-Pin G13	F32-T8	T5/T4A	A,B,C & D	E, F & G	Yes	T3C	-20°F / -29°C	40°/55°C	90°C
54	T5HO Mini Bi-Pin G5	F54-T5HO	T3C	A,B,C & D	E, F & G	Yes	T3C	-20°F / -29°C	40°C	90°C
60	T12HO RDC R17d	F48-T12HO	T3C	A,B,C & D	E, F & G	Yes	T3C	-20°F / -29°C	40°C	90°C

DIMENSIONS



Dimensions in inches

MOUNTING DIMENSIONS (NTS)



MARINE

Professional Use Lighting

ProRec Recessed Lighting	ProSurf Surface Lighting	ProBerth Berth/Mirror Lights	ProLamp Lamps	ProExit Exit Lights	ProStep Step Light
Meridian FT/ml - Pg. 324 	Meridian FLC/ml - Pg. 348 	1060A/ml - Pg. 364 	FE215/FE28/ml - Pg. 382 	F17/ml - Pg. 388 	814/816/ml - Pg. 392 
Meridian FRD/ml - Pg. 328 	Meridian FCM/ml - Pg. 352 	FBN/FMN/ml - Pg. 366 	FE/ml - Pg. 384 	F/ml - Pg. 390 	
Meridian FDA/ml - Pg. 332 	Meridian FS/ml - Pg. 356 	FMR/ml - Pg. 368 	1017B/ml - Pg. 386 		
Meridian FR/ml - Pg. 336 	Meridian 1136/1137/1138/1139/ml - Pg. 360 	FBR/ml - Pg. 370 			
Meridian FRS/ml - Pg. 340 	Meridian F1143/ml - Pg. 362 	FBL/ml - Pg. 372 			
Meridian DL/ml - Pg. 344 		FN/ml - Pg. 374 			
		F1061/ml - Pg. 376 			
		F1062/ml - Pg. 378 			
		F115/215/ml - Pg. 380 			

Pro

ProRec

Meridian FT/ml



FEATURES

- Integral support tabs to allow for ceiling suspension.
- Corrosion resistant housing and frame.
- Multi voltage electronic ballast resistant to brownouts or voltage and frequency fluctuations.
- Filter tube options allow colored lamps to operate on a separate circuit for darken ship mode.
- Three and four lamp models are provided with two ballasts for independent switching or color effects.
- Parabolic louvre option for glare reduction.
- Tool-less entry for easy relamping.
- Reversible hinged lens frame with captive knurled screws.
- Side access plate allows for ease of installation.
- Optional self contained emergency battery backup ballasts with test switch.
- Optional long life T5 lamps available upon request (consult factory).



CHS Controls AB
Tel +46 42 38 61 00, Fax +46 42 38 61 29
chs@chscontrols.se www.chscontrols.se

APPLICATIONS

- T-bar 2x2 and 4x4 drop ceiling types
- Marine interior
- Office
- Corridor

APPROVALS

- Conforms to IP52
- Marine Inside Drip Proof Type
- ABS

STANDARDS

- UL 1598A - Luminaires for Marine Vessels
- UL 924 - Emergency Lighting Equipment

TECHNICAL SPECIFICATIONS

HOUSING

Type 5052H32 copper free aluminum with an electrostatically applied white polyester powder coat finish.

LENS FRAME

Type 6061T6 aluminum with an electrostatically applied white polyester powder coat finish.

LENS

Prismatic DR acrylic.

REFLECTOR

Type 5052H32 copper free aluminum with an electrostatically applied white polyester powder coat finish. Minimum 90% reflectance.

ENTRIES

Four 1/2" and four 3/4" NPT knockouts.

LAMP HOLDER

Polycarbonate. Twist lock lamp holders for bi-pin lamps and spring loaded for HO lamps.

MOUNTING

Recessed ceiling type lay-in, for 2 x 2 or 2 x 4, "T-bar system".

TERMINAL BLOCK

Two pole terminal block located on the side access plate.

BALLAST

120 to 277v 50/60Hz electronic, except F20 & F40 T12 Bi-Pin which are 120V 60Hz.

Lamp Wattage	Ballast/Socket Type	ANSI Lamp Code	Starting Temp	Maximum Ambient*	Supply Wire
17	T8 Bi-Pin G13	F17-T8	0°F / -18°C	55°C	90°C
32	T8 Bi-Pin G13	F32-T8	-20°F / -29°C	55°C	90°C
14/28	T5 Mini Bi-Pin G5	F14/F28-T5	0°F / -18°C	55°C	90°C
24/54	T5HO Mini Bi-Pin G5	F24/F54-T5HO	-20°F / -29°C	55°C	90°C
35/60	T12HO RDC R17d	F24/F48-T12HO	-20°F / -29°C	40°C	90°C

*Consult factory for optional higher ambient models.

EMERGENCY BATTERY BACKUP BALLAST

Optional, self contained 90 minute minimum for all lamp types. 120 minutes minimum for F32T8 one lamp. Starting temperature 32°F/0°C

ORDERING REFERENCES

PART NUMBER	DESCRIPTION	LAMP TYPE	NO. LAMPS/ NOMINAL LAMP WATTAGE	WEIGHT LBS
FT214	2 ft X 2 ft	F14T5	2 x 14w	11.0
FT314	2 ft X 2 ft	F14T5	3 x 14w	13.5
FT414	2 ft X 2 ft	F14T5	4 x 14w	14.0
FT217	2 ft X 2 ft	F17T8	2 x 17w	11.0
FT317	2 ft X 2 ft	F17T8	3 x 17w	13.5
FT417	2 ft X 2 ft	F17T8	4 x 17w	14.0
FT220	2 ft X 2 ft	F20T12	2 x 20w	12.0
FT320	2 ft X 2 ft	F20T12	3 x 20w	15.5
FT420	2 ft X 2 ft	F20T12	4 x 20w	16.0
FT224	2 ft X 2 ft	F24T5HO	2 x 24w	11.0
FT324	2 ft X 2 ft	F24T5HO	3 x 24w	13.5
FT424	2 ft X 2 ft	F24T5HO	4 x 24w	14.0
FT228	2 ft X 4 ft	F28T5	2 x 28w	19.5
FT328	2 ft X 4 ft	F28T5	3 x 28w	22.0
FT428	2 ft X 4 ft	F28T5	4 x 28w	22.5

PART NUMBER	DESCRIPTION	LAMP TYPE	NO. LAMPS/ NOMINAL LAMP WATTAGE	WEIGHT LBS
FT232	2 ft X 4 ft	F32T8	2 x 32w	19.5
FT332	2 ft X 4 ft	F32T8	3 x 32w	22.0
FT432	2 ft X 4 ft	F32T8	4 x 32w	22.5
FT235	2 ft X 2 ft	F24T12HO	2 x 35w	16.5
FT335	2 ft X 2 ft	F24T12HO	3 x 35w	25.0
FT435	2 ft X 2 ft	F24T12HO	4 x 35w	25.5
FT240	2 ft X 4 ft	F40T12ES	2 x 34w	20.5
FT340	2 ft X 4 ft	F40T12ES	3 x 34w	24.0
FT440	2 ft X 4 ft	F40T12ES	4 x 34w	24.5
FT254	2 ft X 4 ft	F54T5HO	2 x 54w	19.5
FT354	2 ft X 4 ft	F54T5HO	3 x 54w	22.0
FT454	2 ft X 4 ft	F54T5HO	4 x 54w	22.5
FT260	2 ft X 4 ft	F48T12HO	2 x 60w	25.5
FT360	2 ft X 4 ft	F48T12HO	3 x 60w	34.0
FT460	2 ft X 4 ft	F48T12HO	4 x 60w	34.5

SPECIAL OPTIONS

- EMT2* - Emergency Battery Backup Ballast, 1 lamp, 277v max, test switch
- EMT3* - Emergency Battery Backup Ballast, high lumen, 1 lamp, 277v max, test switch
- DIM - Dimming Ballast (not available for F20T12 or T12HO)
- L** - Lamps
- LL** - Long Life Lamps (F54T5HO only)
- RV-1*** - Red Filter Tube with separate ballast (1 lamp)
- RV*** - Red Filter Tube (All lamps)
- BV-1*** - Blue Filter Tube with separate ballast (1 lamp)
- BV*** - Blue Filter Tube (All lamps)
- PAR - Parabolic Louvre, silver
- 225 - 220v 50Hz Ballast (T12 Bi-Pin only)
- 226 - 220v 60Hz Ballast (T12 Bi-Pin only)
- 276 - 277v 60Hz Ballast (T12 Bi-Pin only)

*For T5 & T5HO, EM Ballast is fixed voltage, 120 or 277v, 50/60Hz.

**Lamps are not included unless option "L" or "LL" is specified.

***Not available in 24w, 35w, 54w or 60w.

Notes:

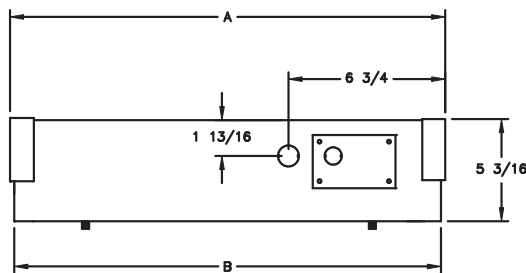
1. Consult factory for options not listed.

ProRec Meridian FT/ml

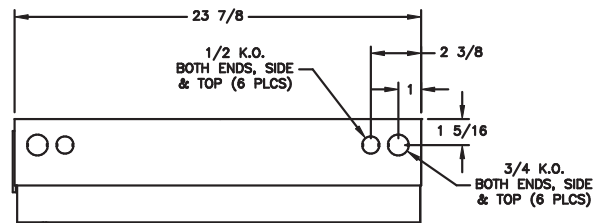
SPARE PARTS

Part No.	Description	Part No.	Description
FX5350	BALLAST 120-277V AC 50/60HZ, 1 x 14 w	FX3568	LAMP, 24w, F24T5HO
FX5174	BALLAST 120-277V AC 50/60HZ, 1 x 17 w	FX3567	LAMP, 54w, F54T5HO
FX5307	BALLAST 120-277V AC 50/60HZ, 1 x 24 w	FX3577	LAMP, 54w, Long Life, F54T5HO
FX5350	BALLAST 120-277V AC 50/60HZ, 1 x 28 w	FX3528	LAMP, 17w, F17T8
FX5221	BALLAST 120-277V AC 50/60HZ, 1 x 32 w	FX3527	LAMP, 32w, F32T8
FX5334	BALLAST 120-277V AC 50/60HZ, 1 x 35 w	FX3506	LAMP, 20w, F20T12
FX5305	BALLAST 120-277V AC 50/60HZ, 1 x 54 w	FX3507	LAMP, 35w, F24T12HO
FX5334	BALLAST 120-277V AC 50/60HZ, 1 x 60 w	FX3504ES	LAMP, 34w, F40T12ES
FX5350	BALLAST 120-277V AC 50/60HZ, 2 x 14 w	FX3505	LAMP, 60w, F48T12HO
FX5340	BALLAST 120-277V AC 50/60HZ, 2 x 17 w	FX2004	LENS, 2 ft x 2 ft
FX5307	BALLAST 120-277V AC 50/60HZ, 2 x 24 w	FX2005	LENS, 2 ft x 4 ft
FX5350	BALLAST 120-277V AC 50/60HZ, 2 x 28 w	FX4060	LAMP HOLDER, Locking (17/20/32/40w)
FX5340	BALLAST 120-277V AC 50/60HZ, 2 x 32 w	FX4064	LAMP HOLDER, T5 & T5HO (14/28w & 24/54w)
FX5334	BALLAST 120-277V AC 50/60HZ, 2 x 35 w	FX4004	LAMP HOLDER, Stationary (35/60w)
FX5305	BALLAST 120-277V AC 50/60HZ, 2 x 54 w	FX4005	LAMP HOLDER, Spring Loaded (35/60w)
FX5338	BALLAST 120-277V AC 50/60HZ, 2 x 60 w	FX4004SET	LAMP HOLDER, Set (1 ea. FX4004, FX4005)
FX5009	BALLAST 120V 60HZ, 1 x 20 w	FX3001	TERMINAL BLOCK, 2 Pole
FX5326	BALLAST 120V 60HZ, 1 x 34 w	CX3070	TERMINAL BLOCK, 4 Pole
FX5326	BALLAST 120V 60HZ, 1 x 40 w	FX2193RED	FILTER TUBE, Red 17w T8
FX5001	BALLAST 120V 60HZ, 2 x 20 w	FX2192RED	FILTER TUBE, Red 20w T12
FX5004	BALLAST 120V 60HZ, 2 x 34 w	FX2195RED	FILTER TUBE, Red 32w T8
FX5004	BALLAST 120V 60HZ, 2 x 40 w	FX2194RED	FILTER TUBE, Red 34w T12
FX3573	LAMP, 14w, F14T5	FX2192BLU	FILTER TUBE, Blue 20w T12
FX3574	LAMP, 28w, F28T5		

DIMENSIONS



SIDE VIEW



END VIEW

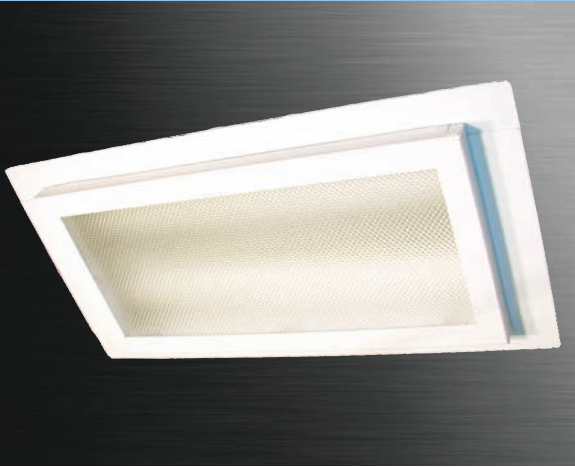
	A	B
14w, 17w, 20w, 24w, 35w	24 1/8"	23 3/4"
28w, 32w, 40w, 54w, 60w	48 1/8"	47 3/4"

NOTES

Pro

ProRec

Meridian FRD/ml



FEATURES

- Custom designed for 300 mm continuous linear plank ceiling systems.
- Parallel or perpendicular mounting using the same luminaire.
- No trim kit or additional hardware required.
- Corrosion resistant housing.
- Multi voltage electronic ballast resistant to brownouts or voltage and frequency fluctuations.
- Low profile depth allows for installation in constricted ceiling voids.
- Self retained, spring loaded lens frame.
- Optional pre-wired feed-through terminal blocks.
- 2 ft (600 mm) or 4 ft (1200 mm) models.
- Filter tube options allow colored lamps to operate on a separate circuit for darken ship mode.
- Three lamp models are provided with two ballasts for independent switching or color effects.
- Parabolic louvre option for glare reduction.
- Optional self contained emergency battery backup ballasts.
- Optional long life T5 lamps available upon request (consult factory).



APPLICATIONS

- 300 mm continuous plank ceiling systems
- Marine interior
- Pilot house
- State room
- Office
- Corridor/passageway
- Galley
- Low profile

APPROVALS

- B-15 Fire Rating*, when integrated with B-15 fire rated ceiling & properly insulated.
 - Conforms to IP20
 - Marine Inside Type
 - ABS
- *B-15 rated covers must be purchased separately.

STANDARDS

- UL 1598A - Luminaires for Marine Vessels
- UL 924 - Emergency Lighting Equipment

TECHNICAL SPECIFICATIONS

HOUSING

Galvanized steel housing with an electrostatically applied polyester powder coat finish.

LENS FRAME

Type 6063T6 aluminum with an electrostatically applied polyester powder coat finish.

LENS

Flat prismatic DR acrylic. Optional, translucent white.

REFLECTOR

Type 5052H32 aluminum with an electrostatically applied white polyester powder coat finish. Minimum 90% reflectance.

ENTRIES

½" and ¾" NPT knockout on each end and side.

LAMP HOLDER

Polycarbonate. Spring loaded, twist lock for linear fluorescent, fixed 2G11 for compact fluorescent.

MOUNTING

Recessed ceiling type for 300mm linear plank ceilings.

TERMINAL BLOCK

Optional terminal block or a feed-through, pre-wired dual terminal block is available.

BALLAST

120 to 277 volt 50/60 Hz electronic, except F20 & F40 T12 Bi-Pin which are 120V 60Hz.

Lamp Wattage	Ballast/Socket Type	ANSI Lamp Code	Starting Temp	Maximum Ambient*	Supply Wire
17	T8 Bi-Pin G13	F17-T8	0°F / -18°C	55°C	90°C
32	T8 Bi-Pin G13	F32-T8	-20°F / -29°C	55°C	90°C
40	4 Pin 2G11	FT40-CF	0°F / -18°F	40°C	90°C
14/28	T5 Mini Bi-Pin G5	F14/F28-T5	0°F / -18°C	55°C	90°C
24/54	T5HO Mini Bi-Pin G5	F24/F54-T5HO	-20°F / -29°C	55°C	90°C

*Consult factory for optional higher ambient models.

EMERGENCY BATTERY BACKUP BALLAST

Optional, self contained 90 minute minimum for all lamp types. 120 minutes minimum for F32T8 one lamp. Starting temperature 32°F/0°C.

ORDERING REFERENCES

PART NUMBER	DESCRIPTION	LAMP TYPE	NO. LAMPS/ NOMINAL LAMP WATTAGE	WEIGHT LBS
FRD214	2 ft	F14T5	2 x 14w	11.0
FRD314	2 ft	F14T5	3 x 14w	12.5
FRD217	2 ft	F17T8	2 x 17w	11.0
FRD317	2 ft	F17T8	3 x 17w	12.5
FRD220	2 ft	F20T12	2 x 20w	13.0
FRD224	2 ft	F24T5H0	2 x 24w	11.0
FRD324	2 ft	F24T5H0	3 x 24w	12.5
FRD225	3 ft	F25T8	2 X 25w	17.0
FRD325	3 ft	F25T8	3 x 25w	18.5
FRD228	4 ft	F28T5	2 x 28w	11.0
FRD328	4 ft	F28T5	3 x 28w	12.5

PART NUMBER	DESCRIPTION	LAMP TYPE	NO. LAMPS/ NOMINAL LAMP WATTAGE	WEIGHT LBS
FRD232	4 ft	F32T8	2 x 32w	23.0
FRD332	4 ft	F32T8	3 x 32w	23.5
FRD240	4 ft	F40T12/ES	2 x 34w	27.0
FRD254	4 ft	F54T5H0	2 x 54w	23.0
FRD354	4 ft	F54T5H0	3 x 54w	23.5
FRDC240	2 ft	FT40	2 x 40w	11.0
FRDC340	2 ft	FT40	3 x 40w	11.5
FRDC440	4 ft	FT40	4 x 40w	23.0
FRDC640	4 ft	FT40	6 x 40w	24.0

SPECIAL OPTIONS

- EM2* - Emergency Battery Backup Ballast, 1 lamp, 277v max
- EM3* - Emergency Battery Backup Ballast, high lumen, 1 lamp, 277v max
- EMT2* - Emergency Battery Backup Ballast, 1 lamp, 277v max, test switch
- EMT3* - Emergency Battery Backup Ballast, high lumen, 1 lamp, 277v max, test switch
- L** - Lamps
- LL** - Long Life Lamps (F54T5H0 only)
- T - Terminal Block
- FT - Pre-Wired Feed-Through
- E - Translucent White Lens
- 226 - 220v 60Hz (T12 Bi-Pin only)
- 225 - 220v 50Hz (T12 Bi-Pin only)
- 276 - 277v 60Hz (T12 Bi-Pin only)
- P - Parabolic Louvre (2 lamp T5 & T8 only)
- C - Metallized Square Grids
- RV-1*** - Red Filter Tube with separate ballast (1 lamp)
- RV*** - Red Filter Tube (All lamps)
- BV-1*** - Blue Filter Tube with separate ballast (1 lamp)
- BV*** - Blue Filter Tube (All lamps)
- DIM - Dimming Ballast (not available for F20T12)

*For T5 & T5H0, EM Ballast is fixed voltage, 120 or 277v, 50/60Hz.

**Lamps are not included unless option "L" or "LL" is specified.

***Not available in 24w, 40w CF or 54w.

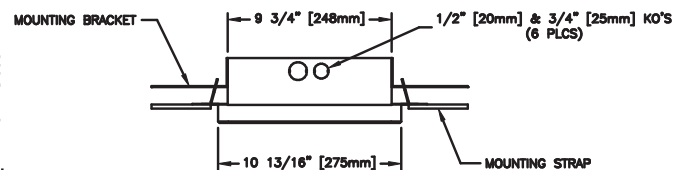
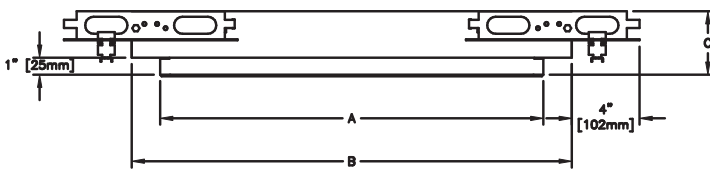
Note: Consult Factory for additional louvers and grids.

ProRec Meridian FRD/ml

SPARE PARTS

Part No.	Description	Part No.	Description
FX5350	BALLAST 120-277V AC 50/60HZ, 1 x 14	FX3567	LAMP, 54w, F54T5HO
FX5174	BALLAST 120-277V AC 50/60HZ, 1 x 17	FX3577	LAMP, 54w, Long Life F54T5HO
FX5307	BALLAST 120-277V AC 50/60HZ, 1 x 24	FX3528	LAMP, 17w, F17T8
FX5350	BALLAST 120-277V AC 50/60HZ, 1 x 28	FX3527	LAMP, 32w, F32T8
FX5221	BALLAST 120-277V AC 50/60HZ, 1 x 32	FX3569	LAMP, 25w, F25T8
FX5305	BALLAST 120-277V AC 50/60HZ, 1 x 54	FX3506	LAMP, 20w, F20T12
FX5350	BALLAST 120-277V AC 50/60HZ, 2 x 14	FX3504ES	LAMP, 34w, F40T12ES
FX5340	BALLAST 120-277V AC 50/60HZ, 2 x 17	FX3533	LAMP, 40w CF, FT40
FX5307	BALLAST 120-277V AC 50/60HZ, 2 x 24	FX2228	LENS, Prismatic, 2ft. models
FX5350	BALLAST 120-277V AC 50/60HZ, 2 x 28	FX2229	LENS, Prismatic, 4ft. models
FX5340	BALLAST 120-277V AC 50/60HZ, 2 x 32	FX4032S	LAMP HOLDER, Spring loaded, T8 & T12 Bi-Pin
FX5272	BALLAST 120-277V AC 50/60HZ, 2 x 40	FX4036	LAMP HOLDER, Spring loaded, T8 & T12 Bi-Pin, Set of 2
FX5305	BALLAST 120-277V AC 50/60HZ, 2 x 54	FX4065	LAMP HOLDER, T5 & T5HO
FX5009	BALLAST 120V 60HZ, 1 x 20	FX4043	LAMP HOLDER, 40w CF
FX5326	BALLAST 120V 60HZ, 1 x 34	FX3048	TERMINAL BLOCK, 3 Pole
FX5326	BALLAST 120V 60HZ, 1 x 40	FX2193RED	FILTER TUBE, Red 17w T8
FX5001	BALLAST 120V 60HZ, 2 x 20	FX2192RED	FILTER TUBE, Red 20w T12
FX5004	BALLAST 120V 60HZ, 2 x 34	FX2195RED	FILTER TUBE, Red 32w T8
FX5004	BALLAST 120V 60HZ, 2 x 40	FX2194RED	FILTER TUBE, Red 34w T12
FX3573	LAMP, 14w, F14T5	FX2192BLU	FILTER TUBE, Blue 20w T12
FX3574	LAMP, 28w, F28T5	FX6816	B-15 COVERS, 2 ft
FX3568	LAMP, 24w, F24T5HO	FX6817	B-15 COVERS, 4 ft

DIMENSIONS



	A	B	C
2 X 14w, 17w, 20w, 24w	22 5/8" (575mm)	27" (686mm)	3 3/4" (95mm)
3 X 14w, 17w, 24w	22 5/8" (575mm)	27" (686mm)	4 5/8" (117mm)
2 or 3 X 40w CF	22 5/8" (575mm)	27" (686mm)	4 5/8" (117mm)
2 or 3 X 25w, 28w T8	34 7/16" (875mm)	38 15/16" (990mm)	4 5/8" (117mm)
2 X 28w, 32w, 40w, 54w	46 1/4" (1175mm)	50 5/8" (1286mm)	3 3/4" (95mm)
3 X 32w, 54w	46 1/4" (1175mm)	50 31/32" (1295mm)	4 5/8" (117mm)
4 or 6 X 40w CF	46 1/4" (1175mm)	50 31/32" (1295mm)	4 5/8" (117mm)

Inches (millimeters).

NOTES

Pro

ProRec

Meridian FDA/ml



FEATURES

- Custom designed for 300 mm continuous linear plank ceiling systems.
- No trim kit or additional hardware required.
- Multi voltage electronic ballast resistant to brownouts or voltage and frequency fluctuations.
- 2 ft (600 mm) or 4 ft (1200 mm) models.
- Filter Tube options allow colored lamps to operate on a separate circuit for darken ship mode.
- Three lamp models are provided with two ballasts for independent switching or color effects.
- Optional self contained emergency battery backup ballasts with test switch.
- Optional long life T5 lamps available upon request (consult factory).



CHS Controls AB
Tel +46 42 38 61 00, Fax +46 42 38 61 29
chs@chscontrols.se www.chscontrols.se

APPLICATIONS

- 300 mm continuous plank ceiling systems
- Marine interior
- Pilot house
- State room
- Office
- Corridor/passageway
- Galley

APPROVALS

- Conforms to IP52
- Marine Inside Drip Proof Type
- ABS

STANDARDS

- UL 1598A - Luminaires for Marine Vessels
- UL 924 - Emergency Lighting Equipment

TECHNICAL SPECIFICATIONS

HOUSING AND LENS FRAME

Cold rolled steel with an electrostatically applied polyester powder coat finish.

LENS

Flat prismatic DR acrylic.

REFLECTOR

Type 5052H32 aluminum with an electrostatically applied white polyester powder coat finish. Minimum 90% reflectance.

ENTRIES

One 1/2" NPT slip fit hole on top.

LAMP HOLDER

Polycarbonate. Spring loaded for T5, twist lock for T8/T12.

MOUNTING

Recessed ceiling type, for 300mm linear plank ceilings.

TERMINAL BLOCK

4 pole.

BALLAST

120 to 277 volt 50/60 Hz electronic, except F20 & F40 T12 Bi-Pin which are 120V 60Hz.

Lamp Wattage	Ballast/Socket Type	ANSI Lamp Code	Starting Temp	Maximum Ambient*	Supply Wire
17	T8 Bi-Pin G13	F17-T8	0°F / -18°C	55°C	90°C
32	T8 Bi-Pin G13	F32-T8	-20°F / -29°C	55°C	90°C
14/28	T5 Mini Bi-Pin G5	F14/F28-T5	0°F / -18°C	55°C	90°C
24/54	T5HO Mini Bi-Pin G5	F24/F54-T5HO	-20°F / -29°C	55°C	90°C

*Consult factory for optional higher ambient models.

EMERGENCY BATTERY BACKUP BALLAST

Optional, self contained 90 minute minimum for all lamp types. 120 minutes minimum for F32T8 one lamp. Starting temperature 32°F/0°C.

ORDERING REFERENCES

PART NUMBER	MOUNTING TYPE	LAMP TYPE	NO. LAMP/ NOMINAL LAMP WATTAGE	WT LBS
FDA214PAR	Parallel	F14T5	2 x 14w	14.0
FDA217PAR	Parallel	F17T8	2 x 17w	14.0
FDA220PAR	Parallel	F20T12	2 x 20w	15.0
FDA224PAR	Parallel	F24T5HO	2 x 24w	14.0
FDA228PAR	Parallel	F28T5	2 x 28w	23.0
FDA232PAR	Parallel	F32T8	2 x 32w	23.0
FDA240PAR	Parallel	F40T12ES	2 x 34w	23.0
FDA254PAR	Parallel	F54T5/HO	2 x 54w	22.0
FDA314PAR	Parallel	F14T5	3 x 14w	17.0
FDA317PAR	Parallel	F17T8	3 x 17w	17.0
FDA320PAR	Parallel	F20T12	3 x 20w	18.0
FDA324PAR	Parallel	F24T5HO	3 x 24w	17.0
FDA328PAR	Parallel	F28T5	3 x 28w	26.0
FDA332PAR	Parallel	F32T8	3 x 32w	26.0
FDA340PAR	Parallel	F40T12ES	3 x 34w	27.0
FDA354PAR	Parallel	F54T5/HO	3 x 54w	26.0

PART NUMBER	MOUNTING TYPE	LAMP TYPE	NO. LAMP/ NOMINAL LAMP WATTAGE	WT LBS
FDA214PER	Perpendicular	F14T5	2 x 14w	14.0
FDA217PER	Perpendicular	F17T8	2 x 17w	15.0
FDA220PER	Perpendicular	F20T12	2 x 20w	16.0
FDA224PER	Perpendicular	F24T5HO	2 x 24w	15.0
FDA228PER	Perpendicular	F28T5	2 x 28w	25.0
FDA232PER	Perpendicular	F32T8	2 x 32w	25.0
FDA240PER	Perpendicular	F40T12ES	2 x 34w	25.0
FDA254PER	Perpendicular	F54T5/HO	2 x 54w	24.0
FDA314PER	Perpendicular	F14T5	3 x 14w	18.0
FDA317PER	Perpendicular	F17T8	3 x 17w	18.0
FDA320PER	Perpendicular	F20T12	3 x 20w	17.0
FDA324PER	Perpendicular	F24T5HO	3 x 24w	18.0
FDA328PER	Perpendicular	F28T5	3 x 28w	27.0
FDA332PER	Perpendicular	F32T8	3 x 32w	27.0
FDA340PER	Perpendicular	F40T12ES	3 x 34w	28.0
FDA354PER	Perpendicular	F54T5/HO	3 x 54w	27.0

SPECIAL OPTIONS

- EMT2* - Emergency Battery Backup Ballast, 1 lamp, 277v max, test switch
- EMT3* - Emergency Battery Backup Ballast, high lumen, 1 lamp, 277v max, test switch
- L** - Lamp
- LL** - Long Life Lamps (F54T5HO only)
- 226 - 220v 60Hz (T12 Bi-Pin only)
- 225 - 220v 50Hz (T12 Bi-Pin only)
- 276 - 277v 60Hz (T12 Bi-Pin only)
- P - Parabolic Louvre
- C - Metallized Square Grids
- RV-1*** - Red Filter Tube with separate ballast (1 lamp)
- RV*** - Red Filter Tube (All lamps)
- BV-1*** - Blue Filter Tube with separate ballast (1 lamp)
- BV*** - Blue Filter Tube (All lamps)

*For T5 & T5HO, EM Ballast is fixed voltage, 120 or 277v, 50/60Hz.

**Lamps are not included unless option "L" or "LL" is specified.

***Not available in 24w or 54w.

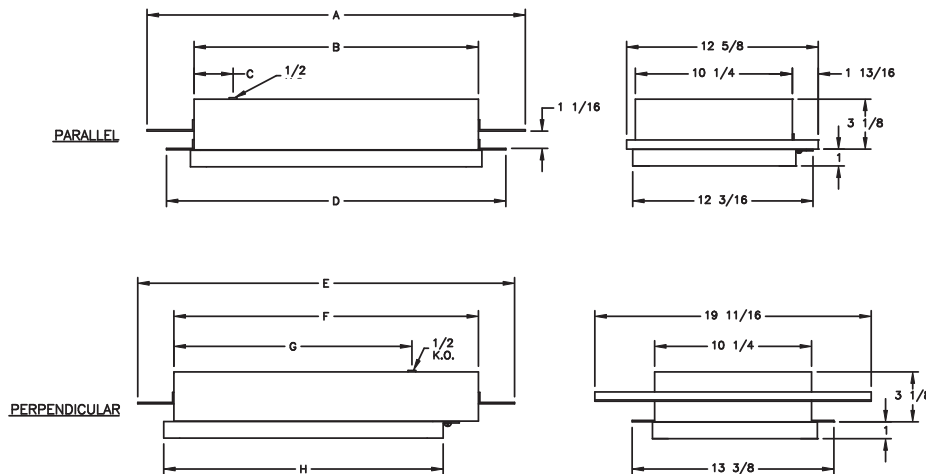
Note: Consult Factory for additional louvers and grids.

ProRec Meridian FDA/ml

SPARE PARTS

Part No.	Description		
FX5350	BALLAST 120-277V AC 50/60HZ, 1 x 14	FX3568	LAMP, 24w, F24T5HO
FX5174	BALLAST 120-277V AC 50/60HZ, 1 x 17	FX3567	LAMP, 54w, F54T5HO
FX5307	BALLAST 120-277V AC 50/60HZ, 1 x 24	FX3577	LAMP, 54w Long Life, F54T5HO
FX5350	BALLAST 120-277V AC 50/60HZ, 1 x 28	FX3528	LAMP, 17w, F17T8
FX5221	BALLAST 120-277V AC 50/60HZ, 1 x 32	FX3527	LAMP, 32w, F32T8
FX5305	BALLAST 120-277V AC 50/60HZ, 1 x 54	FX3506	LAMP, 20w, F20T12
FX5350	BALLAST 120-277V AC 50/60HZ, 2 x 14	FX3504ES	LAMP, 34w, F40T12ES
FX5340	BALLAST 120-277V AC 50/60HZ, 2 x 17	FX2106	LENS, Parallel, 2ft. models
FX5307	BALLAST 120-277V AC 50/60HZ, 2 x 24	FX2107	LENS, Perpendicular, 2ft. models
FX5350	BALLAST 120-277V AC 50/60HZ, 2 x 28	FX2104	LENS, Parallel, 4ft. models
FX5340	BALLAST 120-277V AC 50/60HZ, 2 x 32	FX2105	LENS, Perpendicular, 4ft. models
FX5305	BALLAST 120-277V AC 50/60HZ, 2 x 54	FX4048	LAMP HOLDER, Locking (17/20/32/40w)
FX5009	BALLAST 120V 60HZ, 1 x 20	FX4064	LAMP HOLDER, T5HO (14/24/28/54w)
FX5326	BALLAST 120V 60HZ, 1 x 34	FX3070	TERMINAL BLOCK, 4 Pole
FX5326	BALLAST 120V 60HZ, 1 x 40	FX2193RED	FILTER TUBE, Red 17w T8
FX5001	BALLAST 120V 60HZ, 2 x 20	FX2192RED	FILTER TUBE, Red 20w T12
FX5004	BALLAST 120V 60HZ, 2 x 34	FX2195RED	FILTER TUBE, Red 32w T8
FX5004	BALLAST 120V 60HZ, 2 x 40	FX2194RED	FILTER TUBE, Red 34w T12
FX3573	LAMP, 14w, F14T5	FX2192BLU	FILTER TUBE, Blue 20w T12
FX3574	LAMP, 28w, F28T5		

DIMENSIONS



	A	B	C	D	E	F	G	H
14w, 17W, 20w, 24w	33 ³ / ₄ "	24 ¹⁵ / ₁₆ "	5"	28 ¹ / ₂ "	29 ⁷ / ₁₆ "	24 ¹⁵ / ₁₆ "	20"	22 ⁵ / ₈ "
28w, 32w, 40w, 54w	57 ¹ / ₂ "	45 ¹ / ₁₆ "	14 ³ / ₄ "	52 ¹ / ₄ "	53 ⁵ / ₈ "	49 ⁷ / ₈ "	34"	46 ¹ / ₄ "

NOTES

Pro

ProRec

Meridian FR/ml



FEATURES

- Multi voltage electronic ballast resistant to brownouts or voltage and frequency fluctuations.
- Shoc♦Loc™ bi-pin spring loaded lamp holders for double ended lamps provide resistance to shock and vibration while maintaining positive electrical pin contact.
- Tool-less entry and hinged lens frame for easy relamping.
- Filter Tube options allow colored lamps to operate on a separate circuit for darken ship mode.
- Three and four lamp models are provided with two ballasts for independent switching or color effects.
- Optional self contained emergency battery backup ballasts with test switch.
- Optional long life T5 lamps available upon request (consult factory).



CHS Controls AB
 Tel +46 42 38 61 00, Fax +46 42 38 61 29
 chs@chscontrols.se www.chscontrols.se

APPLICATIONS

- Recessed mount
- Marine interior
- Pilot house
- State room
- Office
- Corridor/passageway
- Galley

APPROVALS

- B-15 Fire Rating*, when integrated with B-15 fire rated ceiling & properly insulated. (Steel model only)
- Conforms to IP52
- Marine Inside Drip Proof Type
- ABS

*B-15 rated covers must be purchased separately

STANDARDS

- UL 1598A - Luminaires for Marine Vessels
- UL 924 - Emergency Lighting Equipment

TECHNICAL SPECIFICATIONS

HOUSING

Type 5052H32 aluminum with an electrostatically applied polyester power coat finish. Optional cold rolled steel.

LENS FRAME

Type 6063T6 copper free aluminum with an electrostatically applied polyester powder coat finish.

LENS

Flat prismatic DR acrylic. Optional flat white or prismatic dropdish.

REFLECTOR

Type 5052H32 aluminum with an electrostatically applied white polyester powder coat finish. Minimum 90% reflectance.

ENTRIES

1/2" and 3/4" NPT knockouts at each end.

LAMP HOLDER

Shoc♦Loc™ Bi-Pin spring loaded on one end.

MOUNTING

Recessed ceiling type. See drawings for details.

TERMINAL BLOCK

Two pole terminal block located on an access plate.

BALLAST

120 to 277 volt 50/60 Hz electronic, except F20 & F40 T12 Bi-Pin which are 120V 60Hz.

Lamp Wattage	Ballast/Socket Type	ANSI Lamp Code	Starting Temp	Maximum Ambient*	Supply Wire
17	T8 Bi-Pin G13	F17-T8	0°F / -18°C	55°C	90°C
32	T8 Bi-Pin G13	F32-T8	-20°F / -29°C	55°C	90°C
14/28	T5 Mini Bi-Pin G5	F14/F28-T5	0°F / -18°C	55°C	90°C
24/54	T5HO Mini Bi-Pin G5	F24/F54-T5HO	-20°F / -29°C	55°C	90°C

*Consult factory for optional higher ambient models.

EMERGENCY BATTERY BACKUP BALLAST

Optional, self contained 90 minute minimum for all lamp types. 120 minutes minimum for F32T8 one lamp. Starting temperature 32°F/0°C.

ORDERING REFERENCES

PART NUMBER	DESCRIPTION	LAMP TYPE	NO. LAMPS/ NOMINAL LAMP WATTAGE	WEIGHT LBS
FR114J	2 ft	F14T5	1 x 14w	9.5
FR214J	2 ft	F14T5	2 x 14w	10.0
FR314J	2 ft	F14T5	3 x 14w	15.5
FR414J	2 ft	F14T5	4 x 14w	16.0
FR117J	2 ft	F17T8	1 x 17w	9.5
FR217J	2 ft	F17T8	2 x 17w	10.0
FR317J	2 ft	F17T8	3 x 17w	15.5
FR417J	2 ft	F17T8	4 x 17w	16.0
FR120J	2 ft	F20T12	1 x 20w	10.5
FR220J	2 ft	F20T12	2 x 20w	11.0
FR320J	2 ft	F20T12	3 x 20w	17.5
FR420J	2 ft	F20T12	4 x 20w	18.0
FR124J	2 ft	F24T5HO	1 x 24w	9.5
FR224J	2 ft	F24T5HO	2 x 24w	10.0
FR324J	2 ft	F24T5HO	3 x 24w	15.5
FR424J	2 ft	F24T5HO	4 x 24w	16.0

PART NUMBER	DESCRIPTION	LAMP TYPE	NO. LAMPS/ NOMINAL LAMP WATTAGE	WEIGHT LBS
FR128J	4 ft	F28T5	1 x 28w	13.5
FR228J	4 ft	F28T5	2 x 28w	14.0
FR328J	4 ft	F28T5	3 x 28w	22.0
FR428J	4 ft	F28T5	4 x 28w	22.5
FR132J	4 ft	F32T8	1 x 32w	13.5
FR232J	4 ft	F32T8	2 x 32w	14.0
FR332J	4 ft	F32T8	3 x 32w	22.0
FR432J	4 ft	F32T8	4 x 32w	22.5
FR140J	4 ft	F40T12ES	1 x 34w	14.5
FR240J	4 ft	F40T12ES	2 x 34w	15.0
FR340J	4 ft	F40T12ES	3 x 34w	24.0
FR440J	4 ft	F40T12ES	4 x 34w	24.5
FR154J	4 ft	F54T5HO	1 x 54w	13.5
FR254J	4 ft	F54T5HO	2 x 54w	14.0
FR354J	4 ft	F54T5HO	3 x 54w	22.0
FR454J	4 ft	F54T5HO	4 x 54w	22.5

SPECIAL OPTIONS

- EMT2* - Emergency Battery Backup Ballast, 1 lamp, 277v max, test switch
- EMT3* - Emergency Battery Backup Ballast, high lumen, 1 lamp, 277v max, test switch
- H - Dropdish Prismatic Lens (Replace suffix J)
- E - Flat White Lens (Replace suffix J)
- K - Steel Housing (B-15 Fire Rating)
- L** - Lamp
- LL** - Long Life Lamps (F54T5HO lamp only)
- 225 - 220v 50Hz (T12 Bi-Pin only)
- 226 - 220v 60Hz (T12 Bi-Pin only)
- 276 - 277v 60Hz (T12 Bi-Pin only)
- RV-1*** - Red Filter Tube with separate ballast (1 lamp)
- RV*** - Red Filter Tube (All lamps)
- BV-1*** - Blue Filter Tube with separate ballast (1 lamp)
- BV*** - Blue Filter Tube (All lamps)
- YV-1*** - Yellow Filter Tube with separate ballast (1 lamp)
- YV*** - Yellow Filter Tube (All lamps)

*For T5 & T5HO, EM Ballast is fixed voltage, 120 or 277v, 50/60Hz.

**Lamps are not included unless option "L" or "LL" is specified.

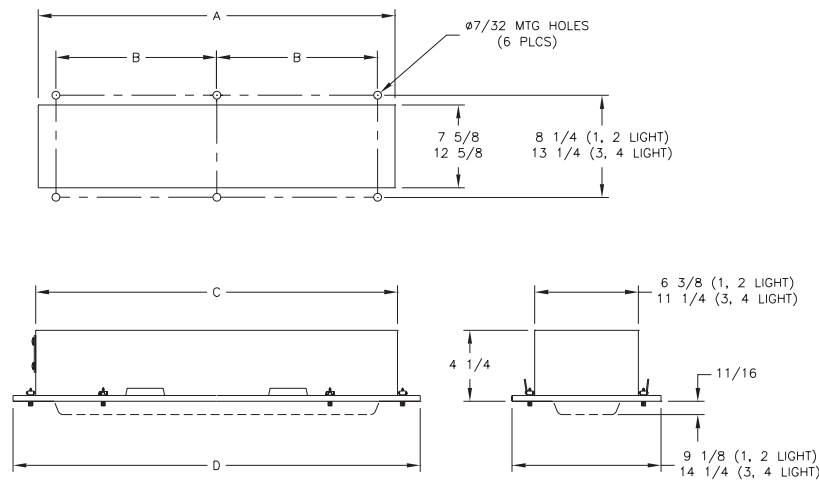
***Not available in 24w or 54w.

ProRec Meridian FR/ml

SPARE PARTS

Part No.	Description	Part No.	Description
FX5350	BALLAST 120-277V AC 50/60HZ, 1 x 14	FX3528	LAMP, 17w, F17T8
FX5174	BALLAST 120-277V AC 50/60HZ, 1 x 17	FX3527	LAMP, 32w, F32T8
FX5307	BALLAST 120-277V AC 50/60HZ, 1 x 24	FX3506	LAMP, 20w, F20T12
FX5350	BALLAST 120-277V AC 50/60HZ, 1 x 28	FX3504ES	LAMP, 34w, F40T12ES
FX5221	BALLAST 120-277V AC 50/60HZ, 1 x 32	FX2034	LENS, One/Two Lamp, for 2ft. models
FX5305	BALLAST 120-277V AC 50/60HZ, 1 x 54	FX2035	LENS, Three/Four Lamp, for 2ft. models
FX5350	BALLAST 120-277V AC 50/60HZ, 2 x 14	FX2036	LENS, One/Two Lamp, for 4ft. models
FX5340	BALLAST 120-277V AC 50/60HZ, 2 x 17	FX2037	LENS, Three/Four Lamp, for 4ft. models
FX5307	BALLAST 120-277V AC 50/60HZ, 2 x 24	FX4009	LAMP HOLDER, Spring Loaded
FX5350	BALLAST 120-277V AC 50/60HZ, 2 x 28	FX4008	LAMP HOLDER, Stationary
FX5340	BALLAST 120-277V AC 50/60HZ, 2 x 32	FX4008SET	LAMP HOLDER, Set (1 ea. FX4009, FX4008)
FX5305	BALLAST 120-277V AC 50/60HZ, 2 x 54	FX3001	TERMINAL BLOCK, 2 Pole
FX5009	BALLAST 120V 60HZ, 1 x 20	CX3070	TERMINAL BLOCK, 4 Pole
FX5326	BALLAST 120V 60HZ, 1 x 34	FX2193RED	FILTER TUBE, Red 17w T8
FX5326	BALLAST 120V 60HZ, 1 x 40	FX2192RED	FILTER TUBE, Red 20w T12
FX5001	BALLAST 120V 60HZ, 2 x 20	FX2195RED	FILTER TUBE, Red 32w T8
FX5004	BALLAST 120V 60HZ, 2 x 34	FX2194RED	FILTER TUBE, Red 34w T12
FX5004	BALLAST 120V 60HZ, 2 x 40	FX2192BLU	FILTER TUBE, Blue 20w T12
FX3573	LAMP, 14w, F14T5	FX6818	B-15 COVERS 1 & 2 LIGHT, 2 ft
FX3574	LAMP, 28w, F28T5	FX6819	B-15 COVERS 3 & 4 LIGHT, 2 ft
FX3568	LAMP, 24w, F24T5HO	FX6820	B-15 COVERS 1 & 2 LIGHT, 4 ft
FX3567	LAMP, 54w, F54T5HO	FX6821	B-15 COVERS 3 & 4 LIGHT, 4 ft
FX3577	LAMP, 54w, Long Life, F54T5HO		

DIMENSIONS



Dimensions in inches

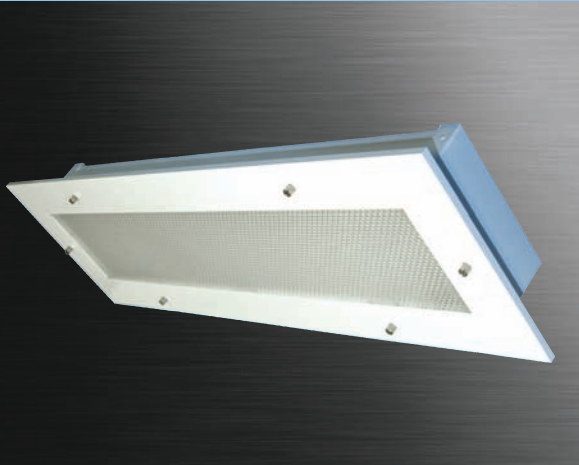
	A	B	C	D
14w, 17w, 20w, 24w	27 3/4"	10"	26 1/2"	29 1/8"
28w, 32w, 40w, 54w	51 3/4"	20"	50 1/2"	53 1/8"

NOTES

Pro

ProRec

Meridian FRS/ml



FEATURES

- Multi voltage electronic ballast resistant to brownouts or voltage and frequency fluctuations.
- Low profile design.
- Tool-less entry and hinged lens frame for easy relamping.
- Filter tube options allow colored lamps to operate on a separate circuit for darken ship mode.
- Three and four lamp models are provided with two ballasts for independent switching or color effects.
- Optional self contained emergency battery backup ballasts with test switch.
- Optional long life T5 lamps available upon request (consult factory).



CHS Controls AB
Tel +46 42 38 61 00, Fax +46 42 38 61 29
chs@chscontrols.se www.chscontrols.se

APPLICATIONS

- Recessed mount
- Marine interior
- Pilot house
- State room
- Office
- Corridor/passageway
- Galley

APPROVALS

- Conforms to IP52
- Marine Inside Drip Proof Type
- ABS

STANDARDS

- UL 1598A - Luminaires for Marine Vessels
- UL 924 - Emergency Lighting Equipment

TECHNICAL SPECIFICATIONS

HOUSING

Type 5052H32 aluminum with an electrostatically applied polyester power coat finish.

LENS FRAME

Type 6063T6 aluminum with an electrostatically applied polyester powder coat finish.

LENS

Flat prismatic DR acrylic. Optional, flat white or prismatic dropdish.

REFLECTOR

Type 5052H32 aluminum with an electrostatically applied white polyester powder coat finish. Minimum 90% reflectance.

ENTRIES

1/2" and 3/4" NPT knockouts at each end.

LAMP HOLDER

High temperature PBT locking sockets.

MOUNTING

Recessed ceiling type. See drawings for details.

TERMINAL BLOCK

Internal 3 pole.

BALLAST

120 to 277 volt 50/60 Hz electronic.

Lamp Wattage	Ballast/Socket Type	ANSI Lamp Code	Starting Temp	Maximum Ambient*	Supply Wire
17	T8 Bi-Pin G13	F17-T8	0°F / -18°C	55°C	90°C
32	T8 Bi-Pin G13	F32-T8	-20°F / -29°C	55°C	90°C
14/28	T5 Mini Bi-Pin G5	F14/F28-T5	0°F / -18°C	55°C	90°C
24/54	T5HO Mini Bi-Pin G5	F24/F54-T5HO	-20°F / -29°C	55°C	90°C

*Consult factory for optional higher ambient models.

EMERGENCY BATTERY BACKUP BALLAST

Optional, self contained 90 minute minimum for all lamp types. 120 minutes minimum for F32T8 one lamp. Starting temperature 32°F/0°C.

ORDERING REFERENCES

PART NUMBER	DESCRIPTION	LAMP TYPE	NO. LAMPS/ NOMINAL LAMP WATTAGE	WEIGHT LBS
FRS214J	2 ft	F14T5	2 x 14w	8.0
FRS314J	2 ft	F14T5	3 x 14w	13.5
FRS414J	2 ft	F14T5	4 x 14w	14.0
FRS217J	2 ft	F17T8	2 x 17w	8.0
FRS317J	2 ft	F17T8	3 x 17w	13.5
FRS417J	2 ft	F17T8	4 x 17w	14.0
FRS224J	2 ft	F24T5HO	2 x 24w	8.0
FRS324J	2 ft	F24T5HO	3 x 24w	13.5
FRS424J	2 ft	F24T5HO	4 x 24w	14.0

PART NUMBER	DESCRIPTION	LAMP TYPE	NO. LAMPS/ NOMINAL LAMP WATTAGE	WEIGHT LBS
FRS228J	4 ft	F28T5	2 x 28w	12.0
FRS328J	4 ft	F28T5	3 x 28w	20.0
FRS428J	4 ft	F28T5	4 x 28w	20.5
FRS232J	4 ft	F32T8	2 x 32w	12.0
FRS332J	4 ft	F32T8	3 x 32w	20.0
FRS432J	4 ft	F32T8	4 x 32w	20.5
FRS254J	4 ft	F54T5HO	2 x 54w	12.0
FRS354J	4 ft	F54T5HO	3 x 54w	20.0
FRS454J	4 ft	F54T5HO	4 x 54w	20.5

SPECIAL OPTIONS

- EMT2* - Emergency Battery Backup Ballast, 1 lamp, 277v max, test switch
- EMT3* - Emergency Battery Backup Ballast, high lumen, 1 lamp, 277v max, test switch
- L** - Lamp
- LL** - Long Life Lamps (F54T5HO only)
- H - Dropdish Prismatic Lens (Replace suffix J)
- E - Flat White Lens (Replace suffix J)
- RV-1*** - Red Filter Tube with separate ballast, 1 lamp (Not available in 24/54w)
- RV - Red Filter Tube, all lamps (Not available in 24/54w)
- BV-1*** - Blue Filter Tube with separate ballast, 1 lamp (Not available in 24/54w)
- BV - Blue Filter Tube, all lamps (Not available for 24/54w)
- YV-1*** - Yellow Filter Tube with separate ballast, 1 lamp (Not available in 24/54w)
- YV - Yellow Filter Tube, all lamps (Not available in 24/54w)

*For T5 & T5HO, EM Ballast is fixed voltage, 120 or 277v, 50/60Hz.

**Lamps are not included unless option "L" or "LL" is specified.

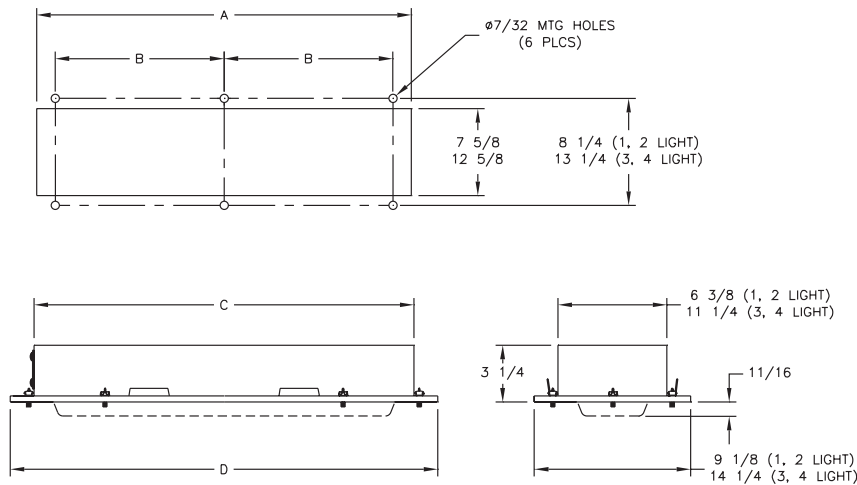
***Not available on 2 ft, 2 lamp modles when EMT2/EMT3 option is specified.

ProRec Meridian FRS/ml

SPARE PARTS

Part No.	Description		
FX5350	BALLAST 120-277V AC 50/60HZ, 1 x 14	FX3568	LAMP, 24w, F24T5HO
FX5174	BALLAST 120-277V AC 50/60HZ, 1 x 17	FX3574	LAMP, 28w, F28T5
FX5307	BALLAST 120-277V AC 50/60HZ, 1 x 24	FX3527	LAMP, 32w, F32T8
FX5350	BALLAST 120-277V AC 50/60HZ, 1 x 28	FX3567	LAMP, 54w, F54T5HO
FX5221	BALLAST 120-277V AC 50/60HZ, 1 x 32	FX2034	LENS, One/Two Lamp, for 2ft. models
FX5305	BALLAST 120-277V AC 50/60HZ, 1 x 54	FX2035	LENS, Three/Four Lamp, for 2ft. models
FX5350	BALLAST 120-277V AC 50/60HZ, 2 x 14	FX2036	LENS, One/Two Lamp, for 4ft. models
FX5340	BALLAST 120-277V AC 50/60HZ, 2 x 17	FX2037	LENS, Three/Four Lamp, for 4ft. models
FX5307	BALLAST 120-277V AC 50/60HZ, 2 x 24	FX4068	LAMP HOLDER, Twist Lock
FX5350	BALLAST 120-277V AC 50/60HZ, 2 x 28	FX4064F	LAMP HOLDER, Stationary T5
FX5340	BALLAST 120-277V AC 50/60HZ, 2 x 32	FX4064P	LAMP HOLDER, Spring Loaded T5
FX5305	BALLAST 120-277V AC 50/60HZ, 2 x 54	FX3001	TERMINAL BLOCK, 2 Pole
FX3573	LAMP, 14w, F14T5	CX3070	TERMINAL BLOCK, 4 Pole
FX3528	LAMP, 17w, F17T8	FX2193RED	FILTER TUBE, Red 17w T8
		FX2195RED	FILTER TUBE, Red 32w T8

DIMENSIONS



Dimensions in inches

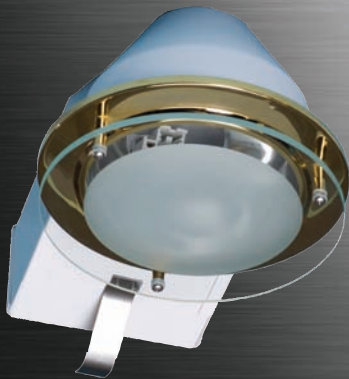
	A	B	C	D
14w, 17w, 20w, 24w	27 ³ / ₄ "	10"	26 ¹ / ₂ "	29 ¹ / ₈ "
28w, 32w, 40w, 54w	51 ³ / ₄ "	20"	50 ¹ / ₂ "	53 ³ / ₈ "

NOTES

Pro

ProRec

Meridian DL/ml



FEATURES

- Integral balance support provides vibration dampening.
- Low profile, 4 inch, depth allows for installation in constricted ceiling voids.
- Component tray easily removed for field access and wiring.
- Trim rings available in a variety of colors and finishes.
- Three pole terminal block.
- Available with sealed diffuser.
- Optional remote self contained emergency battery backup ballast.

APPLICATIONS

- Recessed mount
- Marine interior
- Over head lighting in stairwells and passageways
- Galleys
- Remodeling
- Shallow ceiling cavities.

APPROVALS

- Conforms to IP22
- Conforms to IP45 with a sealed diffuser
- Marine Inside Drip Proof Type
- ABS
- Insulation Contact (IC) rated for contact with noncombustible mineral wool insulation

STANDARDS

- UL 1598A - Luminaires for Marine Vessels

TECHNICAL SPECIFICATIONS

HOUSING

Zinc coated steel with an electrostatically applied white polyester powder coat finish.

TRIM RINGS

Zinc coated steel with an electrostatically applied white polyester powder coat finish. Available in a variety of colors and finishes. See SPECIAL OPTIONS for details.

REFLECTOR

Compact fluorescent & incandescent include highly specular aluminum reflector. Optional alodine gold finish. Halogen and MR utilize reflector style lamps.

ENTRIES

2 concentric 1/2" or 3/4" NPT knockouts.

LAMP TYPE

MR-16 luminaires lamps provided. Compact fluorescent, halogen PAR and incandescent lamps not provided.

MOUNTING

Recessed ceiling type. See drawings for detail.

TERMINAL BLOCK

3 pole.

BALLAST

MR-16 is provided with an electronic low voltage transformer. Compact fluorescent luminaires provided with a 120v 60Hz electronic ballast. See ORDERING REFERENCES for other options.

Lamp Wattage	Ballast/Socket Type	ANSI Lamp Code	Starting Temp	Maximum Ambient*
13	GX24q-1	CFQ13w	0°F / -18°C	55°C
18	GX24q-2	CFQ18w	0°F / -18°C	55°C
26	GX24q-3	CFQ26w	0°F / -18°C	55°C
32	GX24q-3	CFQ32w	0°F / -18°C	55°C

*Consult factory for optional higher ambient models.

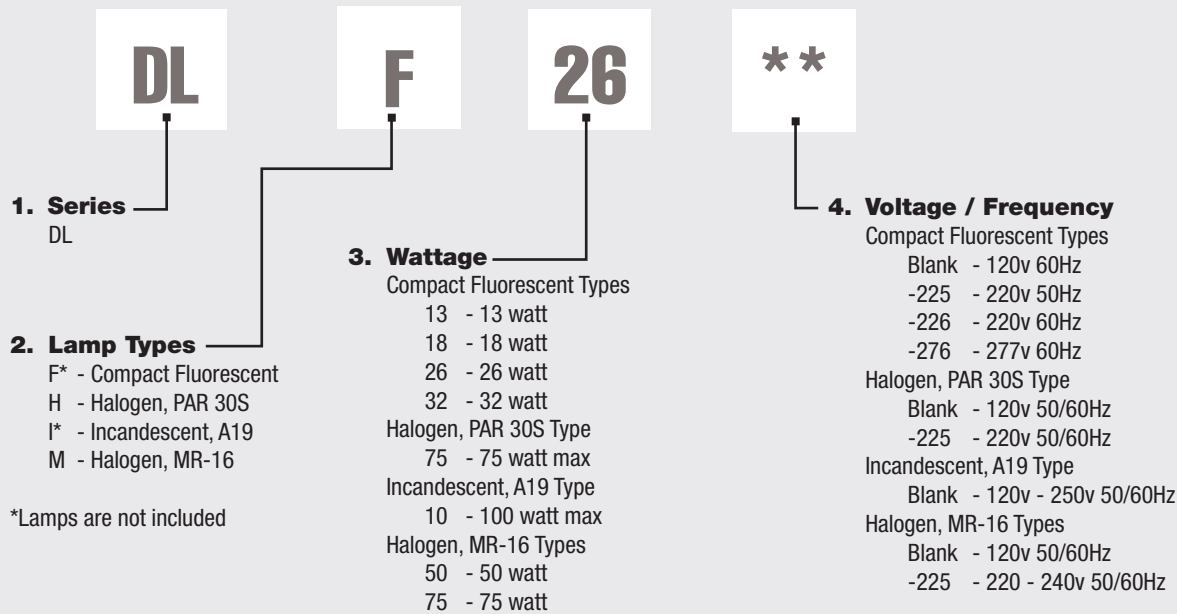
EMERGENCY BATTERY BACKUP BALLAST

Optional, remote self contained 240 minute minimum. Compact fluorescent models only.



CHS Controls AB
Tel +46 42 38 61 00, Fax +46 42 38 61 29
chs@chscontrols.se www.chscontrols.se

ORDERING REFERENCES



SPECIAL OPTIONS

All models:

- B - Polished Brass Finish Trim Ring
- C - Chrome Plated Trim Ring
- D - Trim Ring with glass diffuser
- S* - Sealed Diffuser on Trim Ring (Conforms to IP45)
- F - Frosted Center, clear edge
- H - Clear Center, frosted edge

*For compact fluorescent or incandescent up to 60w max.

Compact Fluorescent lamp:

- EM - Emergency Battery Backup Ballast, 277v max, remote
- DIM - Dimmable Ballast
- G - Gold Color Finish Reflector
- RV - Red DR Acrylic Diffuser (26 watt max)
- BV - Blue Lens - Night Vision Compatible (26 watt max)
- X - Trim Ring with polycarbonate diffuser
- 225 - 220v 50Hz
- 226 - 220v 60Hz
- 276 - 277v 60Hz

Halogen MR-16 lamp:

- 225 - 220-240v 50/60Hz

Incandescent lamp:

- G - Gold Color Finish Reflector

TRIM RING SPARE PARTS

Example: DLTBDF Marine Brass Trim Ring with Glass Diffuser, Frosted Center, Clear Edge - Stand-Off

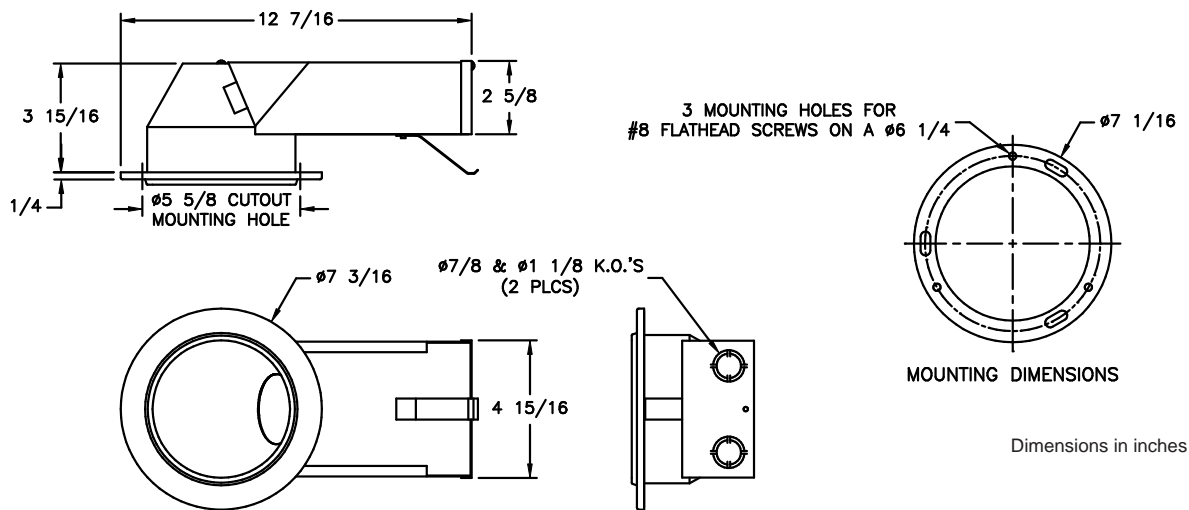
- 1. Downlight Trim Ring** DLT
- 2. Trim Ring Color**
 - White (standard) W
 - Marine Brass finish B
 - Chrome plated C
- 3. Diffuser Mount**
 - Stand-off Blank
 - Sealed (select wattages) S
- 4. Diffuser Style**
 - Glass D
 - Red DR acrylic (CF 26w only) RV
 - Blue Lens (CF 26w only) BV
 - Polycarbonate (CF only) X
- 5. Lens Style (for glass only)**
 - Clear glass Blank
 - Frosted center, clear edge F
 - Clear center, frosted edge H

ProRec Meridian DL/ml

SPARE PARTS

Part No.	Description
FX5206	COMPACT FLUORESCENT, BALLAST, 120v 60Hz, 13, 18, 26 or 32 watt
FX3531	LAMP, 13w, Compact Fluorescent
FX3552	LAMP, 18w, Compact Fluorescent
FX3553	LAMP, 26w, Compact Fluorescent
FX3554	LAMP, 32w, Compact Fluorescent
FX4042	LAMP HOLDER, 13w, Compact Fluorescent
FX4030	LAMP HOLDER, 18w, Compact Fluorescent
FX4034	LAMP HOLDER, 26w, Compact Fluorescent
FX4034	LAMP HOLDER, 32w, Compact Fluorescent
INX3728	LAMP, PAR 30S, Halogen
INX3730	LAMP, 50w Halogen MR-16
INX3731	LAMP, 50w Halogen MR-16
INX5243	MR-16 TRANSFORMER, 120v 60Hz, Halogen
INX4109	LAMP HOLDER MR-16, 120v 60Hz, Halogen
INX3528	LAMP, 100w A-19, Incandescent
INX4087	LAMP HOLDER, 100w A-19, Incandescent

DIMENSIONS



NOTES

Pro

ProSurf

Meridian FLC/ml



FEATURES

- Ultra low profile design.
- Impact resistant extruded acrylic lens.
- Multi voltage electronic ballast resistant to brownouts or voltage and frequency fluctuations.
- Wrap around lens design provides the proper balance of side and direct lighting.
- Filter tube options allow colored lamps to operate on a separate circuit for darken ship mode.
- Two lamp models may be provided with two ballasts for independent switching or color effects.
- Neoprene gasket resists petroleum.
- Twist lock lamp holders.
- Tool-less entry for easy relamping.
- Optional self contained emergency battery backup ballasts with test switch.
- Optional long life T5 lamps available upon request (consult factory).



CHS Controls AB
Tel +46 42 38 61 00, Fax +46 42 38 61 29
chs@chscontrols.se www.chscontrols.se

APPLICATIONS

- Surface mount low profile
- Marine interior
- Pilot house
- State room
- Office
- Corridor/passageway
- Galley

APPROVALS

- Conforms to IP52
- Marine Inside Drip Proof Type
- ABS

STANDARDS

- UL 1598A - Luminaires for Marine Vessels
- UL 924 - Emergency Lighting Equipment

TECHNICAL SPECIFICATIONS

HOUSING AND END CAP

Type 5052H32 copper free aluminum with an electrostatically applied polyester powder coat finish.

LENS

Extruded DR acrylic.

REFLECTOR

Type 5052H32 aluminum with an electrostatically applied white polyester powder coat finish. Minimum 90% reflectance.

GUARD

Optional, stainless steel wire.

ENTRIES

Blank unless otherwise specified.

GASKETS

Neoprene sponge.

LAMP HOLDER

Polycarbonate, twist lock for Bi-Pin.

MOUNTING

Ceiling type, through external mounting legs. See drawing for details.

BALLAST

120 to 277 volt 50/60 Hz electronic, except F20 & F40 T12 Bi-Pin which are 120V 60Hz.

Lamp Wattage	Ballast/Socket Type	ANSI Lamp Code	Starting Temp	Maximum Ambient*	Supply Wire
17	T8 Bi-Pin G13	F17-T8	0°F / -18°C	55°C	90°C
32	T8 Bi-Pin G13	F32-T8	-20°F / -29°C	55°C	90°C
14/28	T5 Mini Bi-Pin G5	F14/F28-T5	0°F / -18°C	55°C	90°C
24/54	T5HO Mini Bi-Pin G5	F24/F54-T5HO	-20°F / -29°C	55°C	90°C

*Consult factory for optional higher ambient models.

EMERGENCY BATTERY BACKUP BALLAST

Optional, self contained 90 minute minimum for all lamp types. 120 minutes minimum for F32T8 one lamp. Starting temperature 32°F/0°C.

ORDERING REFERENCES

PART NUMBER	NOMINAL LENGTH	LAMP TYPE	NO. LAMPS/ NOMINAL LAMP WATTAGE	WEIGHT LBS
FLC214	2 FT	F14T5	2 x 14w	6.0
FLC217	2 FT	F17T8	2 x 17w	6.0
FLC220	2 FT	F20T12	2 x 20w	7.0
FLC224	2 FT	F24T5HO	2 x 24w	6.0
FLC228	4 FT	F28T5	2 x 28w	9.5
FLC232	4 FT	F32T8	2 x 32w	9.5
FLC240	4 FT	F40T12ES	2 x 34w	10.5
FLC254	4 FT	F54T5HO	2 x 54w	9.5

SPECIAL OPTIONS

- EMT2* - Emergency Battery Backup Ballast, 1 lamp, 277v max, test switch
- EMT3* - Emergency Battery Backup Ballast, high lumen, 1 lamp, 277v max, test switch
- L** - Lamps
- LL** - Long Life Lamps (F54T5HO only)
- E - Frosted White Lens
- 225 - 220v 50Hz (T12 Bi-Pin only)
- 226 - 220v 60Hz (T12 Bi-Pin only)
- 276 - 277v 60Hz (T12 Bi-Pin only)
- GRD - Guard
- DIM - Dimming Ballast (not available for F20T12)
- RV-1*** - Red Filter Tube with separate ballast (1 Lamp)
- RV*** - Red Filter Tube (All lamps)
- BV-1*** - Blue Filter Tube with separate ballast (1 Lamp)
- BV*** - Blue Filter Tube (All Lamps)
- YV-1*** - Yellow Filter Tube with separate ballast (1 Lamp)
- YV*** - Yellow Filter Tube (All Lamps)

*For T5 & T5HO, EM Ballast is fixed voltage, 120 or 277v, 50/60Hz.

**Lamps are not included unless option "L" or "LL" is specified.

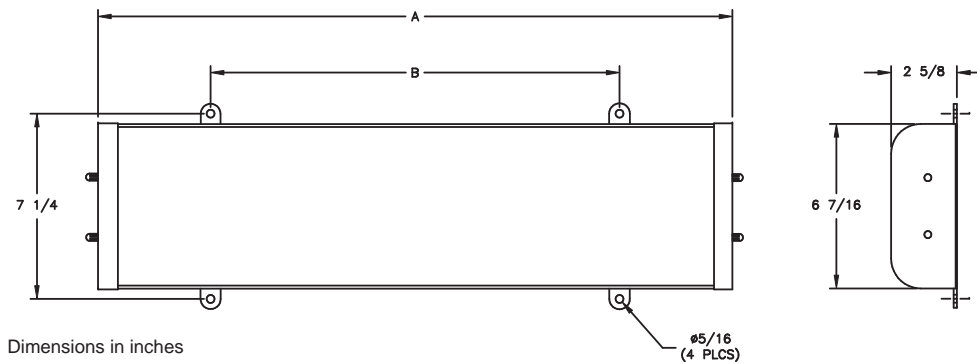
***Not available in 24w or 54w.

ProSurf Meridian FLC/ml

SPARE PARTS

Part No.	Description	Part No.	Description
FX5350	BALLAST 120-277V AC 50/60HZ, 1 x 14, F14T5	FX3528	LAMP, 17w, F17T8
FX5174	BALLAST 120-277V AC 50/60HZ, 1 x 17, F17T8	FX3527	LAMP, 32w, F32T8
FX5307	BALLAST 120-277V AC 50/60HZ, 1 x 24, F24T5HO	FX3506	LAMP, 20w, F20T12
FX5350	BALLAST 120-277V AC 50/60HZ, 1 x 28, F28T5	FX3504ES	LAMP, 34w, F40T12ES
FX5221	BALLAST 120-277V AC 50/60HZ, 1 x 32, F32T8	FX2016	LENS, 2ft., Clear
FX5305	BALLAST 120-277V AC 50/60HZ, 1 x 54, F54T5HO	FX2018	LENS, 2ft., White
FX5350	BALLAST 120-277V AC 50/60HZ, 2 x 14, F14T5	FX2017	LENS, 4ft., Clear
FX5340	BALLAST 120-277V AC 50/60HZ, 2 x 17, F17T8	FX2019	LENS, 4ft., White
FX5307	BALLAST 120-277V AC 50/60HZ, 2 x 24, F24T5HO	FX4032S	LAMP HOLDER, Spring loaded (17/20/32/40w)
FX5350	BALLAST 120-277V AC 50/60HZ, 2 x 28, F28T5	FX4036	LAMP HOLDER, Spring loaded Set of 2 (17/20/32/40w)
FX5340	BALLAST 120-277V AC 50/60HZ, 2 x 32, F32T8	FX4067	LAMP HOLDER, Set of 2 (14/24/28/54w)
FX5305	BALLAST 120-277V AC 50/60HZ, 2 x 54, F54T5HO	FX1008	GUARDS, 2ft. models
FX5009	BALLAST 120V 60HZ, 1 x 20, F20T12	FX1007	GUARDS, 4ft. models
FX5326	BALLAST 120V 60HZ, 1 x 34, F34T12	FX6819A	END CAP
FX5326	BALLAST 120V 60HZ, 1 x 40, F40T12	GKT6027	GASKET, End Cap
FX5001	BALLAST 120V 60HZ, 2 x 20, F20T12	GKT6050-24	GASKET, Lens - 2 ft models (2 required)
FX5004	BALLAST 120V 60HZ, 2 x 34, F34T12	GKT6050-48	GASKET, Lens - 4 ft models (2 required)
FX5004	BALLAST 120V 60HZ, 2x40, F40T12	FX2193RED	FILTER TUBE, Red 17w T8
FX3573	LAMP, 14w, F14T5	FX2192RED	FILTER TUBE, Red 20w T12
FX3574	LAMP, 28w, F28T5	FX2195RED	FILTER TUBE, Red 32w T8
FX3568	LAMP, 24w, F24T5HO	FX2194RED	FILTER TUBE, Red 34w T12
FX3567	LAMP, 54w, F54T5HO	FX2192BLU	FILTER TUBE, Blue 20w T12
FX3577	LAMP, 54w, Long Life, F54T5HO		

DIMENSIONS



	A	B
17W, 20w, 24w	24 3/4"	16"
32w, 34w, 54w	48 3/4"	24"



NOTES

Pro

ProSurf

Meridian FCM/ml



FEATURES

- Multi voltage electronic ballast resistant to brownouts or voltage and frequency fluctuations.
- Wrap around lens design provides the proper balance of side and direct lighting.
- Tool-less entry for easy relamping.
- Available with toggle switch and convenience outlet.
- Filter tube options allow colored lamps to operate on a separate circuit for darken ship mode.
- Optional self contained emergency battery backup ballasts with test switch.
- Optional long life T5 lamps available upon request (consult factory).



CHS Controls AB
Tel +46 42 38 61 00, Fax +46 42 38 61 29
chs@chscontrols.se www.chscontrols.se

APPLICATIONS

- Surface mount cornice applications
- Under cabinet mounting
- Marine interior
- Corridor/passageway

- Stairwells

APPROVALS

- Conforms to IP52
- Marine Inside Drip Proof Type
- ABS

STANDARDS

- UL 1598A - Luminaires for Marine Vessels
- UL 924 - Emergency Lighting Equipment

TECHNICAL SPECIFICATIONS

HOUSING

Type 5052H32 aluminum with an electrostatically applied polyester powder coat finish.

LENS

DR Acrylic, translucent white.

REFLECTOR

Type 5052H32 aluminum with an electrostatically applied polyester power coat finish. Minimum 90% reflectance.

ENTRIES

Two 1/2" and two 3/4" NPT knockouts on the housing and one 1/2" NPT knockout at each end.

CONVENIENCE OUTLET

Optional 125v 3 wire 2 pole "U" ground (inside type only).

SWITCH

Optional double pole toggle switch.

LAMP HOLDER

Polycarbonate. Twist lock lamp holders for bi-pin lamps.

TERMINAL BLOCK

Two pole.

MOUNTING

Ceiling or wall type, through luminaire interior.

BALLAST

120 to 277 volt 50/60 Hz electronic, except F20 & F40 T12 Bi-Pin which are 120V 60Hz.

Lamp Wattage	Ballast/Socket Type	ANSI Lamp Code	Starting Temp	Maximum Ambient*	Supply Wire
17	T8 Bi-Pin G13	F17-T8	0°F / -18°C	55°C	90°C
32	T8 Bi-Pin G13	F32-T8	-20°F / -29°C	55°C	90°C
14/28	T5 Mini Bi-Pin G5	F14/F28-T5	0°F / -18°C	55°C	90°C
24/54	T5H0 Mini Bi-Pin G5	F24/F54-T5H0	-20°F / -29°C	55°C	90°C

*Consult factory for optional higher ambient models.

EMERGENCY BATTERY BACKUP BALLAST

Optional, self contained 90 minute minimum for all lamp types. 120 minutes minimum for F32T8 one lamp. Starting temperature 32°F/0°C

ORDERING REFERENCES

PART NUMBER	NOMINAL LENGTH	LAMP TYPE	NO. LAMPS/ NOMINAL LAMP WATTAGE	WEIGHT LBS
FCM114	2 ft	F14T5	1 x 14w	7.0
FCM214	2 ft	F14T5	2 x 14w	7.0
FCM117	2 ft	F17T8	1 x 17w	7.0
FCM217	2 ft	F17T8	2 x 17w	7.0
FCM120	2 ft	F20T12	1 x 20w	8.5
FCM220	2 ft	F20T12	2 x 20w	8.5
FCM124	2 ft	F24T5HO	1 x 24w	7.0
FCM224	2 ft	F24T5HO	2 x 24w	7.0

PART NUMBER	NOMINAL LENGTH	LAMP TYPE	NO. LAMPS/ NOMINAL LAMP WATTAGE	WEIGHT LBS
FCM128	4 ft	F28T5	1 x 28w	12.0
FCM228	4 ft	F28T5	2 x 28w	12.0
FCM132	4 ft	F32T8	1 x 32w	12.0
FCM232	4 ft	F32T8	2 x 32w	12.0
FCM140	4 ft	F40T12ES	1 x 34w	15.0
FCM240	4 ft	F40T12ES	2 x 34w	15.0
FCM154	4 ft	F54T5HO	1 x 54w	12.0
FCM254	4 ft	F54T5HO	1 x 54w	12.0

SPECIAL OPTIONS

- EMT2* - Emergency Battery Backup Ballast, 1 lamp, 277v max, test switch
- EMT3* - Emergency Battery Backup Ballast, high lumen, 1 lamp, 277v max, test switch
- L** - Lamp
- LL** - Long Life Lamps (F54T5HO only)
- SW - Double Pole Toggle Switch
- CO - Convenience Outlet (Not for drip proof areas)
- 225*** - 220v 50Hz (T12 Bi-Pin only)
- 226*** - 220v 60Hz (T12 Bi-Pin only)
- 276*** - 277v 60Hz (T12 Bi-Pin only)
- DIM - Dimming Ballast (not available for F20T12)

*For T5 & T5HO, EM Ballast is fixed voltage, 120 or 277v, 50/60Hz.

**Lamps are not included unless option "L" or "LL" is specified.

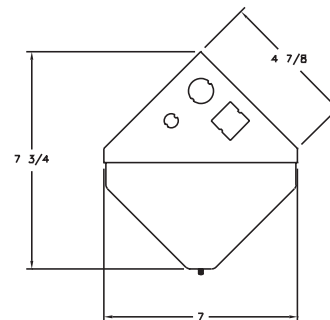
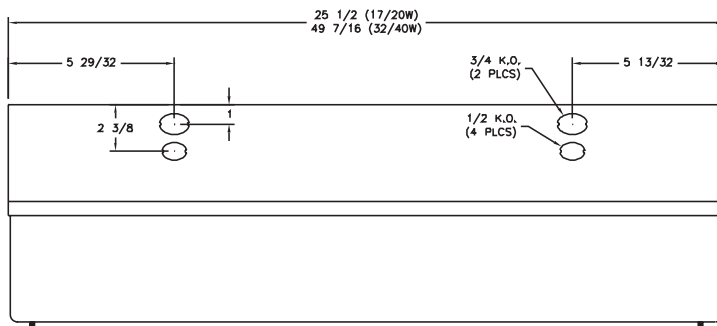
***Not available with CO option.

ProSurf Meridian FCM/ml

SPARE PARTS

Part No.	Description		
FX5350	BALLAST 120-277V AC 50/60HZ, 1 x 14, F14T5	FX3573	LAMP, 14w, F14T5
FX5174	BALLAST 120-277V AC 50/60HZ, 1 x 17, F17T8	FX3574	LAMP, 28w, F28T5
FX5307	BALLAST 120-277V AC 50/60HZ, 1 x 24, F24T5HO	FX3568	LAMP, 24w, F24T5HO
FX5350	BALLAST 120-277V AC 50/60HZ, 1 x 28, F28T5	FX3567	LAMP, 54w, F54T5HO
FX5221	BALLAST 120-277V AC 50/60HZ, 1 x 32, F32T8	FX3577	LAMP, 54w, Long Life, F54T5HO
FX5305	BALLAST 120-277V AC 50/60HZ, 1 x 54, F54T5HO	FX3528	LAMP, 17w, F17T8
FX5350	BALLAST 120-277V AC 50/60HZ, 2 x 14, F14T5	FX3527	LAMP, 32w, F32T8
FX5340	BALLAST 120-277V AC 50/60HZ, 2 x 17, F17T8	FX3506	LAMP, 20w, F20T12
FX5307	BALLAST 120-277V AC 50/60HZ, 2 x 24, F24T5HO	FX3504ES	LAMP, 34w, F40T12ES
FX5350	BALLAST 120-277V AC 50/60HZ, 2 x 28, F28T5	FX2080	LENS, 2ft
FX5340	BALLAST 120-277V AC 50/60HZ, 2 x 32, F32T8	FX2083	LENS, 2ft
FX5305	BALLAST 120-277V AC 50/60HZ, 2 x 54, F54T5HO	FX4036	LAMP HOLDER, Set of 2 (17w/20w/32w/34w)
FX5009	BALLAST 120V 60HZ, 1 x 20, F20T12	FX4067	LAMP HOLDER, Set of 2 (14w/24w/28w/54w)
FX5326	BALLAST 120V 60HZ, 1 x 34, F34T12	CX3001	CONVENIENCE OUTLET
FX5326	BALLAST 120V 60HZ, 1 x 40, F40T12	INX3012	DOUBLE POLE SWITCH
FX5001	BALLAST 120V 60HZ, 2 x 20, F20T12	FX3001	TERMINAL BLOCK
FX5004	BALLAST 120V 60HZ, 2 x 34, F34T12		
FX5004	BALLAST 120V 60HZ, 2x40, F40T12		

DIMENSIONS



Dimensions in inches

NOTES

Pro

ProSurf

Meridian FS/ml



FEATURES

- Shoc♦Loc™ Bi-Pin spring loaded lamp holders for double ended lamps provide resistance to shock and vibration while maintaining positive electrical pin contact.
- Multi voltage electronic ballast resistant to brownouts or voltage and frequency fluctuations.
- Tool-less entry and hinged lens frame for easy relamping.
- Filter tube options allow colored lamps to operate on a separate circuit for darken ship mode.
- Three and four lamp models are provided with two ballasts for independent switching or color effects.
- Optional self contained emergency battery backup ballasts with test switch.
- Optional long life T5 lamps available upon request (consult factory).

APPLICATIONS

- Surface mount
- Marine interior
- Pilot house
- State room
- Office
- Corridor/passageway
- Galley

APPROVALS

- Conforms to IP52
- Marine Inside Drip Proof Type
- ABS

STANDARDS

- UL 1598A - Luminaires for Marine Vessels
- UL 924 - Emergency Lighting Equipment

TECHNICAL SPECIFICATIONS

HOUSING

Type 5052H32 aluminum with an electrostatically applied polyester power coat finish.

LENS FRAME

Type 6063T6 aluminum with an electrostatically applied polyester powder coat finish.

LENS

Flat prismatic DR acrylic. Optional flat white or prismatic dropdish.

REFLECTOR

Type 5052H32 aluminum with an electrostatically applied white polyester power coat finish. Minimum 90% reflectance.

ENTRIES

1/2" and 3/4" NPT knockouts at each end.

LAMP HOLDER

Shoc♦Loc™ Bi-Pin spring loaded on one end.

MOUNTING

Ceiling type, through external mounting legs, see drawing for details.

TERMINAL BLOCK

Two pole terminal block located on an access plate.

BALLAST

120 to 277 volt 50/60 Hz electronic, except F20 & F40 T12 Bi-Pin which are 120V 60Hz.

Lamp Wattage	Ballast/Socket Type	ANSI Lamp Code	Starting Temp	Maximum Ambient*	Supply Wire
17	T8 Bi-Pin G13	F17-T8	0°F / -18°C	55°C	90°C
32	T8 Bi-Pin G13	F32-T8	-20°F / -29°C	55°C	90°C
14/28	T5 Mini Bi-Pin G5	F14/F28-T5	0°F / -18°C	55°C	90°C
24/54	T5HO Mini Bi-Pin G5	F24/F54-T5HO	-20°F / -29°C	55°C	90°C

*Consult factory for optional higher ambient models.

EMERGENCY BATTERY BACKUP BALLAST

Optional, self contained 90 minute minimum for all lamp types. 120 minutes minimum for F32T8 one lamp. Starting temperature 32°F/0°C.

ORDERING REFERENCES

PART NUMBER	LAMP TYPE	NO. LAMPS/ NOMINAL LAMP WATTAGE	WEIGHT LBS
FS114J	F14T5	1 x 14w	9.8
FS214J	F14T5	2 x 14w	10.3
FS314J	F14T5	3 x 14w	16.0
FS414J	F14T5	4 x 14w	16.5
FS117J	F17T8	1 x 17w	9.8
FS217J	F17T8	2 x 17w	10.3
FS317J	F17T8	3 x 17w	16.0
FS417J	F17T8	4 x 17w	16.5
FS120J	F20T12	1 x 20w	10.8
FS220J	F20T12	2 x 20w	11.3
FS320J	F20T12	3 x 20w	18.0
FS420J	F20T12	4 x 20w	18.5
FS124J	F24T5HO	1 x 24w	9.8
FS224J	F24T5HO	2 x 24w	10.3
FS324J	F24T5HO	3 x 24w	16.0
FS424J	F24T5HO	4 x 24w	16.5

PART NUMBER	LAMP TYPE	NO. LAMPS/ NOMINAL LAMP WATTAGE	WEIGHT LBS
FS128J	F28T5	1 x 28w	14.0
FS228J	F28T5	2 x 28w	14.5
FS328J	F28T5	3 x 28w	22.8
FS428J	F28T5	4 x 28w	23.3
FS132J	F32T8	1 x 32w	14.0
FS232J	F32T8	2 x 32w	14.5
FS332J	F32T8	3 x 32w	22.8
FS432J	F32T8	4 x 32w	23.3
FS140J	F40T12ES	1 x 34w	15.0
FS240J	F40T12ES	2 x 34w	15.5
FS340J	F40T12ES	3 x 34w	24.8
FS440J	F40T12ES	4 x 34w	25.3
FS154J	F54T5HO	1 x 54w	14.0
FS254J	F54T5HO	2 x 54w	14.5
FS354J	F54T5HO	3 x 54w	22.8
FS454J	F54T5HO	4 x 54w	23.3

SPECIAL OPTIONS

- EMT2* - Emergency Battery Backup Ballast, 1 lamp, 277v max, test switch
- EMT3* - Emergency Battery Backup Ballast, high lumen, 1 lamp, 277v max, test switch
- L** - Lamp
- LL** - Long Life Lamps (F54T5HO only)
- H - Drop dish Prismatic Lens (Replace suffix J)
- E - Flat White Lens (Replace suffix J)
- 225 - 220v 50Hz (T12 Bi-Pin only)
- 226 - 220v 60Hz (T12 Bi-Pin only)
- 276 - 277v 60Hz (T12 Bi-Pin only)
- RV-1*** - Red Filter Tube with separate ballast (1 lamp)
- RV*** - Red Filter Tube (All lamps)
- BV-1*** - Blue Filter Tube with separate ballast (1 lamp)
- BV*** - Blue Filter Tube (All lamps)
- YV-1*** - Yellow Filter Tube with separate ballast (1 lamp)
- YV*** - Yellow Filter Tube (All lamps)

*For T5 & T5HO, EM Ballast is fixed voltage, 120 or 277v, 50/60Hz.

**Lamps are not included unless option "L" or "LL" is specified.

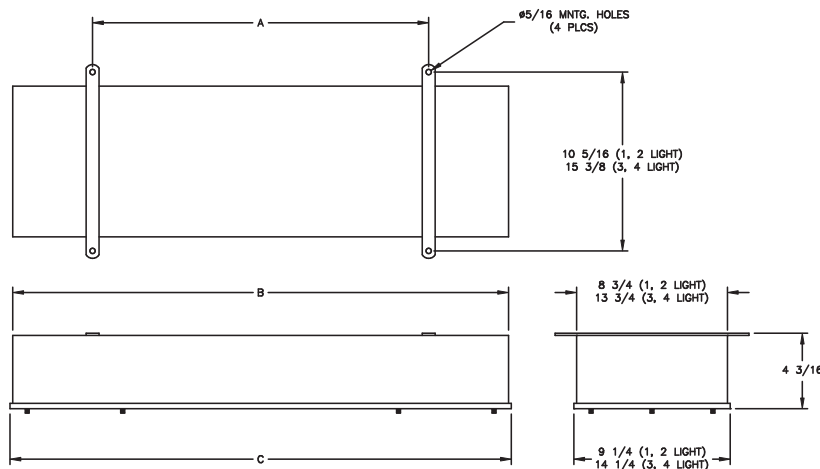
***Not available in 24w or 54w.

ProSurf Meridian FS/ml

SPARE PARTS

Part No.	Description		
FX5350	BALLAST 120-277V AC 50/60HZ, 1 x 14, F14T5	FX3568	LAMP, 24w, F24T5HO
FX5174	BALLAST 120-277V AC 50/60HZ, 1 x 17, F17T8	FX3567	LAMP, 54w, F54T5HO
FX5307	BALLAST 120-277V AC 50/60HZ, 1 x 24, F24T5HO	FX3577	LAMP, 54w, Long Life, F54T5HO
FX5350	BALLAST 120-277V AC 50/60HZ, 1 x 28, F28T5	FX3528	LAMP, 17w, F17T8
FX5221	BALLAST 120-277V AC 50/60HZ, 1 x 32, F32T8	FX3527	LAMP, 32w, F32T8
FX5305	BALLAST 120-277V AC 50/60HZ, 1 x 54, F54T5HO	FX3506	LAMP, 20w, F20T12
FX5350	BALLAST 120-277V AC 50/60HZ, 2 x 14, F14T5	FX3504ES	LAMP, 34w, F40T12ES
FX5340	BALLAST 120-277V AC 50/60HZ, 2 x 17, F17T8	FX2034	LENS, One/Two Lamp, 2ft
FX5307	BALLAST 120-277V AC 50/60HZ, 2 x 24, F24T5HO	FX2035	LENS, Three/Four Lamp, 2ft
FX5350	BALLAST 120-277V AC 50/60HZ, 2 x 28, F28T5	FX2036	LENS, One/Two Lamp, 4ft
FX5340	BALLAST 120-277V AC 50/60HZ, 2 x 32, F32T8	FX2037	LENS, Three/Four Lamp, 4ft
FX5305	BALLAST 120-277V AC 50/60HZ, 2 x 54, F54T5HO	FX4009	LAMP HOLDER, Spring Loaded
FX5009	BALLAST 120V 60HZ, 1 x 20, F20T12	FX4008	LAMP HOLDER, Stationary
FX5326	BALLAST 120V 60HZ, 1 x 34, F34T12	FX4008SET	LAMP HOLDER, Set (1 ea. FX4008, FX4009)
FX5326	BALLAST 120V 60HZ, 1 x 40, F40T12	FX3001	TERMINAL BLOCK, 2 Pole
FX5001	BALLAST 120V 60HZ, 2 x 20, F20T12	CX3070	TERMINAL BLOCK, 4 Pole
FX5004	BALLAST 120V 60HZ, 2 x 34, F34T12	FX2193RED	FILTER TUBE, Red 17w T8
FX5004	BALLAST 120V 60HZ, 2x40, F40T12	FX2192RED	FILTER TUBE, Red 20w T12
FX3573	LAMP, 14w, F14T5	FX2195RED	FILTER TUBE, Red 32w T8
FX3574	LAMP, 28w, F28T5	FX2194RED	FILTER TUBE, Red 34w T12
		FX2192BLU	FILTER TUBE, Blue 20w T12

DIMENSIONS



Dimensions in inches

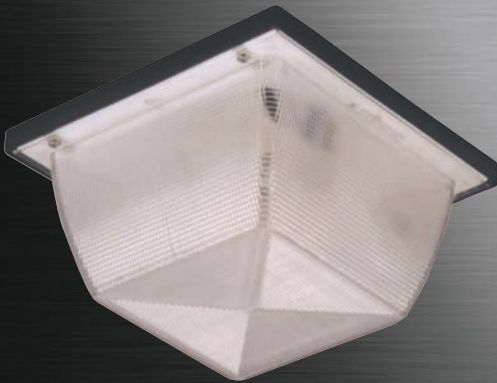
	A	B	C
14w, 17w, 20w, 24w	19½"	28¾"	29⅞"
28w, 32w, 40w, 54w	38½"	52¾"	53⅞"



NOTES

Pro

ProSurf Meridian 1136/1137/1138/ 1139/ml



FEATURES

- Shallow, deep or recessed luminaires.
- Choice of corrosion resistant marine brass or copper free aluminum housings.
- Impact resistant polycarbonate lens.
- Prismatic lens minimizes glare.



CHS Controls AB
Tel +46 42 38 61 00, Fax +46 42 38 61 29
chs@chscontrols.se www.chscontrols.se

APPLICATIONS

- Marine interior
- State room
- Corridors/passageway
- Amenities

APPROVALS

- Conforms to IP62
- Marine Inside Drip Proof Type
- ABS

STANDARDS

- UL 1598A - Luminaires for Marine Vessels

TECHNICAL SPECIFICATIONS

HOUSING

Type 5052H32 aluminum with an electrostatically applied wrinkle black polyester powder coat finish or marine brass with an electrostatically applied dark bronze polyester powder coat finish.

LENS

Clear prismatic polycarbonate.

REFLECTOR

Type 5052H32 aluminum with an electrostatically applied white polyester powder coat finish. Minimum 90% reflectance.

GASKET

One piece silicone.

ENTRIES

1/2" and/or 3/4" knockouts, see DIMENSIONS for details.

LAMP TYPE

A-19 60w max or 4 Pin compact fluorescent. Lamps not provided.

LAMP HOLDER

Incandescent, medium base porcelain. Compact fluorescent polycarbonate.

MOUNTING

Ceiling type through luminaire. See DIMENSIONS for details.

VOLTAGE

Incandescent rated to 250v. Compact fluorescent rated for 120v 60Hz, optional 277v 60Hz.

ORDERING REFERENCES

PART NUMBER	DESCRIPTION	NO. LAMPS/ LAMP WATTAGE	WEIGHT LBS
1136B	BRASS, Shallow Box Type	1 x 60w	4.0
1137B	BRASS, Deep Box Type	1 x 60w	5.0
F1137B-18	BRASS, Deep Box Type	1 x 18CF	5.0
1138B	BRASS, Shallow Box Type	2 x 40w	5.0
1139B	BRASS, Deep Box Type	2 x 60w	6.0
F1139B-18	BRASS, Deep Box Type	2 x 18CF	6.0
F1139B-26	BRASS, Deep Box Type	2 x 26CF	6.0

PART NUMBER	DESCRIPTION	NO. LAMPS/ LAMP WATTAGE	WEIGHT LBS
1136A	ALUMINUM, Shallow Box Type	1 x 60w	2.0
1137A	ALUMINUM, Deep Box Type	1 x 60w	2.5
F1137A-18	ALUMINUM, Deep Box Type	1 x 18CF	2.5
1138A	ALUMINUM, Shallow Box Type	2 x 40w	2.5
1139A	ALUMINUM, Deep Box Type	2 x 60w	3.0
F1139A-18	ALUMINUM, Deep Box Type	2 x 18CF	3.0
F1139A-26	ALUMINUM, Deep Box Type	2 x 26CF	3.0

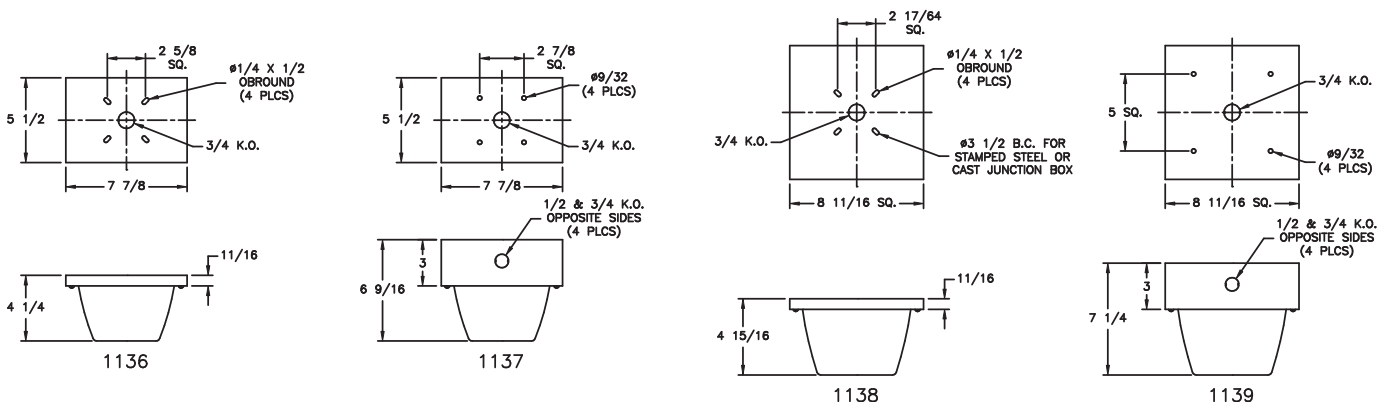
SPECIAL OPTIONS

-276 - 277v 60Hz (compact fluorescent only)

SPARE PARTS

Part No.	Description
FX5206	BALLAST - 120V 60Hz, 1x18 or 1x26
INX3531	LAMP, 40w, Incandescent
INX3526	LAMP, 60w, Incandescent
FX3524	LAMP, 18w, Compact fluorescent
FX3526	LAMP, 26w, Compact fluorescent
INX2164	LENS, Clear Prismatic (1 lamp)
INX2165	LENS, Clear Prismatic (2 lamp)
INX4088	LAMP HOLDER, Incandescent
FX4030	LAMP HOLDER, Compact fluorescent 18w
FX4034	LAMP HOLDER, Compact fluorescent 26w
GKT5079	LENS GASKET, 1 Lamp
GKT5081	LENS GASKET, 2 Lamps

DIMENSIONS



Dimensions in inches

Pro

ProSurf

Meridian F1143/ml



FEATURES

- Low profile design.
- Choice of corrosion resistant marine brass or copper free aluminum housings.
- Tool-less entry for easy relamping.
- Impact resistant polycarbonate lens.
- Prismatic lens minimizes glare.

APPLICATIONS

- Marine interior
- State room
- Corridors/passageway
- Amenities

APPROVALS

- Conforms to IP52
- Marine Inside Drip Proof Type
- ABS

STANDARDS

- UL 1598A - Luminaires for Marine Vessels

TECHNICAL SPECIFICATIONS

HOUSING

Type 5052H32 aluminum with an electrostatically applied wrinkle black polyester powder coat finish or marine brass with an electrostatically applied dark bronze polyester powder coat finish.

LENS

Clear prismatic polycarbonate.

REFLECTOR

Type 5052H32 aluminum with an electrostatically applied white polyester powder coat finish. Minimum 90% reflectance.

GASKETS

One piece neoprene.

ENTRIES

One 3/4" NPT knockout. See DIMENSIONS for details.

LAMP TYPE

Two 2PING24D 18w or 26w compact fluorescent PL types. Lamps not provided.

LAMP HOLDER

Compact fluorescent 2 Pin polycarbonate.

MOUNTING

Ceiling type. Fits a 4 inch stamp steel or cast junction box. See DIMENSIONS for details.

BALLAST

120v 60Hz ballast. Optional 220v 60Hz or 277v 60Hz.



CHS Controls AB
Tel +46 42 38 61 00, Fax +46 42 38 61 29
chs@chscontrols.se www.chscontrols.se

ORDERING REFERENCES

PART NUMBER	HOUSING	LAMP WATTAGE	WEIGHT LBS
F1143A-18	Aluminum	18w	6.0
F1143A-26	Aluminum	26w	6.0
F1143B-18	Brass	18w	9.0
F1143B-26	Brass	26w	9.0

SPECIAL OPTIONS

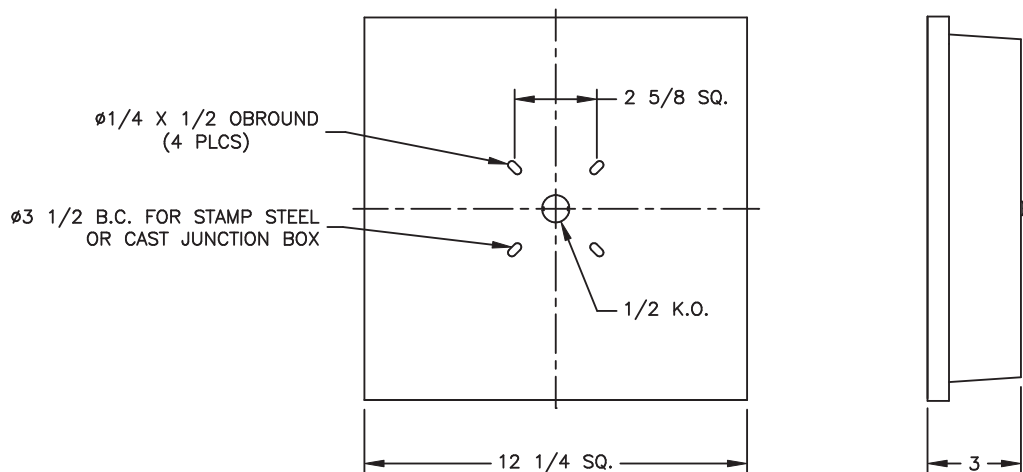
- 226 -220v 60Hz
- 276 -277v 60Hz
- L* -Lamps

*Lamps are not included unless option "L" is specified.

SPARE PARTS

Part No.	Description
FX5193	BALLAST, 18w
FX5171	BALLAST, 26w
FX3525	LAMP, 18w
FX3538	LAMP, 26w
FX4033	LAMP HOLDER, 18w
FX4052	LAMP HOLDER, 26w
INX2182-1	LENS, Polycarbonate

DIMENSIONS



Dimensions in inches

Pro

ProBerth 1060A/ml



FEATURES

- Compact design.
- Adjustable shade.
- Double pole switch and convenience outlet provided.



CHS Controls AB
Tel +46 42 38 61 00, Fax +46 42 38 61 29
chs@chscontrols.se www.chscontrols.se

APPLICATIONS

- Berth and mirror
- Marine interior
- State room
- Head

APPROVALS

- Marine Outside Type Saltwater
- ABS
- Conforms to IP 40

STANDARDS

- UL 1598A - Luminaires for Marine Vessels

TECHNICAL SPECIFICATIONS

HOUSING/SHADE

Type 5052H32 aluminum with an electrostatically applied polyester powder coat white high gloss finish.

END CAPS

White polycarbonate.

ENTRIES

Three 1/2" knockouts.

LAMP HOLDER

Medium base, porcelain.

MOUNTING

Wall type, through luminaire interior, see DIMENSIONS for details.

LAMP TYPE

A-19 60w max or self ballasted compact fluorescent. Lamp not provided.

CONVENIENCE OUTLET

125v 3 wire 2 pole "U" ground. Optional "No Convenience Outlet".

SWITCH

Rocker type, double pole.

VOLTAGE

Rated to operate up to 250v AC 60Hz.

ORDERING REFERENCES

PART NUMBER	DESCRIPTION	LAMP SIZE	WEIGHT LBS
1060A	Incandescent Berth/Mirror	A-19 60w max	1.5

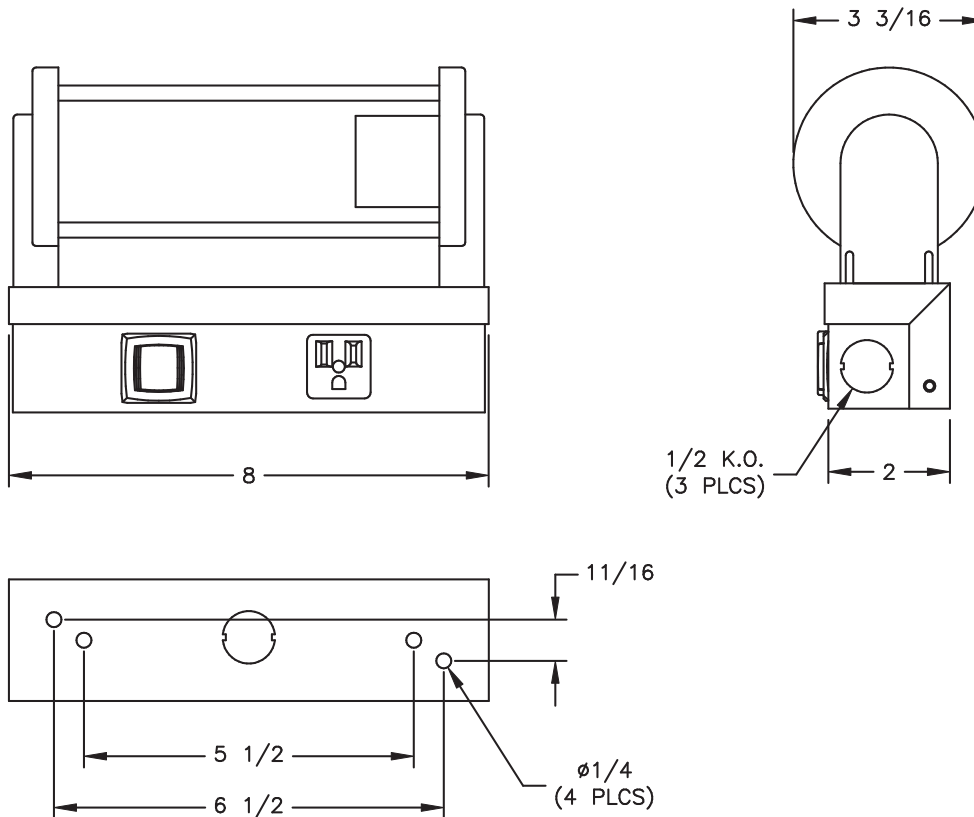
SPECIAL OPTIONS

LCO - Without Convenience Outlet

SPARE PARTS

Part No.	Description
INX3526	LAMP, 60w A-19 Incandescent
INX4087	LAMP HOLDER, Porcelain
CX3001	CONVENIENCE OUTLET, 15A 125v
INX3379	SWITCH, Double Pole Rocker

DIMENSIONS



Dimensions in inches

Pro

ProBerth **FBN/FMN/ml**



FEATURES

- Compact design.
- Clear fluted lens allows even light distribution.
- Wrap around lens design, 180° light dispersion, mirror type.
- Tool-less entry for easy relamping.
- Switch and convenience outlet provided.
- Optional gold and silver architectural finishes.
- Lamps provided.



CHS Controls AB
Tel +46 42 38 61 00, Fax +46 42 38 61 29
chs@chscontrols.se www.chscontrols.se

APPLICATIONS

- Berth and mirror
- Marine interior
- State room
- Head

APPROVALS

- Conforms to IP40
- Marine Inside Type
- ABS

STANDARDS

- UL 1598A - Luminaires for Marine Vessels

TECHNICAL SPECIFICATIONS

HOUSING

Type 5052H32 aluminum.

COVER

Acrylonitrile Butadiene Styrene (ABS), gloss white. Optional gold and silver architectural finishes, see SPECIAL OPTIONS.

LENS

Clear fluted DR acrylic.

REFLECTOR

Type 5052H32 aluminum with an electrostatically applied white polyester power coat finish. Minimum 90% reflectance.

ENTRIES

One 1/2" and one 3/4" NPT knockouts provided.

LAMP HOLDER

Polycarbonate, Mini Bi-Pin.

MOUNTING

Wall type, through luminaire interior, see DIMENSIONS for details.

CONVENIENCE OUTLET

125v 3 wire 2 pole "U" ground. Optional "No Convenience Outlet". Not provided on 220v models.

SWITCH

Push type momentary contact. Optional double pole toggle.

BALLAST

120v 60Hz. See SPECIAL OPTIONS for other voltages.

Lamp Wattage	Ballast/Socket Type	ANSI Lamp Code	Starting Temp	Maximum Ambient*
8w	T5 Mini Bi-Pin G5	F8T5	50°F/10°C	55°C

*Consult factory for optional higher ambient models.

ORDERING REFERENCES

PART NUMBER	LAMP TYPE	NO. LAMPS	WEIGHT LBS
FBN18	Berth Type	1	2.2
FBN28	Berth Type	2	2.8
FMN18	Mirror Type	1	2.2
FMN28	Mirror Type	2	2.8

SPECIAL OPTIONS

- G - Gold Finish (Special order, minimum quantities apply)
- S - Silver Finish (Special order, minimum quantities apply)
- DS - Double Pole Toggle Switch
- LCO - Without Convenience Outlet
- NHB* - Marine Habitation Berth Light (6w night light)
- C* - Low Smoke Cable
- 226** - 220v 60Hz

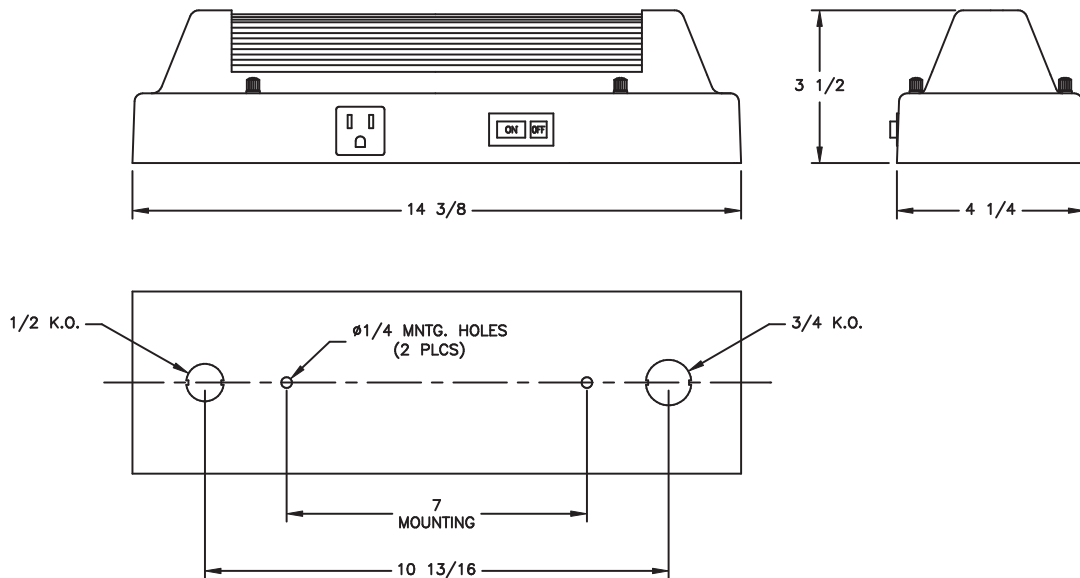
*Not UL listed.

**Not available with Convenience Outlet.

SPARE PARTS

Part No.	Description
FX5012	BALLAST
FX6092FB	LENS ASSEMBLY, FBN
FX6092FM	LENS ASSEMBLY, FMN
FX3509	LAMP, F8T5
FX4029	LAMP HOLDER
FX3029	PUSH TYPE SWITCH
INX3012	DOUBLE POLE SWITCH
CX3001	CONVENIENCE OUTLET

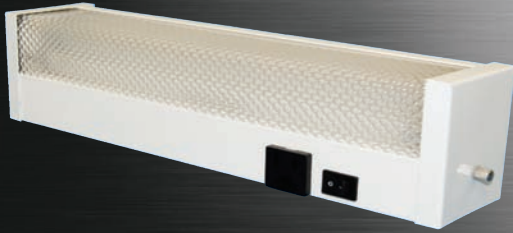
DIMENSIONS



Dimensions in inches

Pro

ProBerth FMR/ml



FEATURES

- Low profile design.
- Clear prismatic lens allows even light distribution.
- Tool-less entry for easy relamping.
- Double pole rocker switch provided.
- Convenience outlet available.



CHS Controls AB
Tel +46 42 38 61 00, Fax +46 42 38 61 29
chs@chscontrols.se www.chscontrols.se

APPLICATIONS

- Mirror
- Marine interior
- Under cabinet mounting
- Head

APPROVALS

- Conforms to IP42 with NSP option, otherwise Conforms to IP40
- Marine Inside Type
- ABS

STANDARDS

- UL 1598A - Luminaires for Marine Vessels

TECHNICAL SPECIFICATIONS

HOUSING AND END CAPS

Galvanized steel with an electrostatically applied polyester powder coat finish.

LENS

Clear prismatic DR acrylic.

REFLECTOR

Galvanized steel with an electrostatically applied white polyester powder coat finish. Minimum 90% reflectance.

ENTRIES

One 1/2" NPT knockout centered on back.

LAMP HOLDER

Polycarbonate, twist lock Bi-Pin.

MOUNTING

Wall type, through luminaire interior, see DIMENSIONS for details.

CONVENIENCE OUTLET

Optional 125v 3 wire 2 pole "U" ground. Not available on 220v models.

SWITCH

Rocker type, double pole.

TERMINAL BLOCK

3 pole.

BALLAST

120v 60Hz standard. See SPECIAL OPTIONS for other voltages.

Lamp Wattage	Ballast/Socket Type	ANSI Lamp Code	Starting Temp	Maximum Ambient*
15w	T8 Bi-Pin G13	F15T8	50°F/10°C	40°C

*Consult factory for optional higher ambient models.

ORDERING REFERENCES

PART NUMBER	DESCRIPTION	NO. LAMPS	WEIGHT LBS
FMR115	Mirror Type	1	3.5

SPECIAL OPTIONS

- L* - Lamps
- CO** - 15 amp Convenience Outlet
- NSP - No Switch Provided
- 225 - 220v 50Hz
- 226 - 220v 60Hz

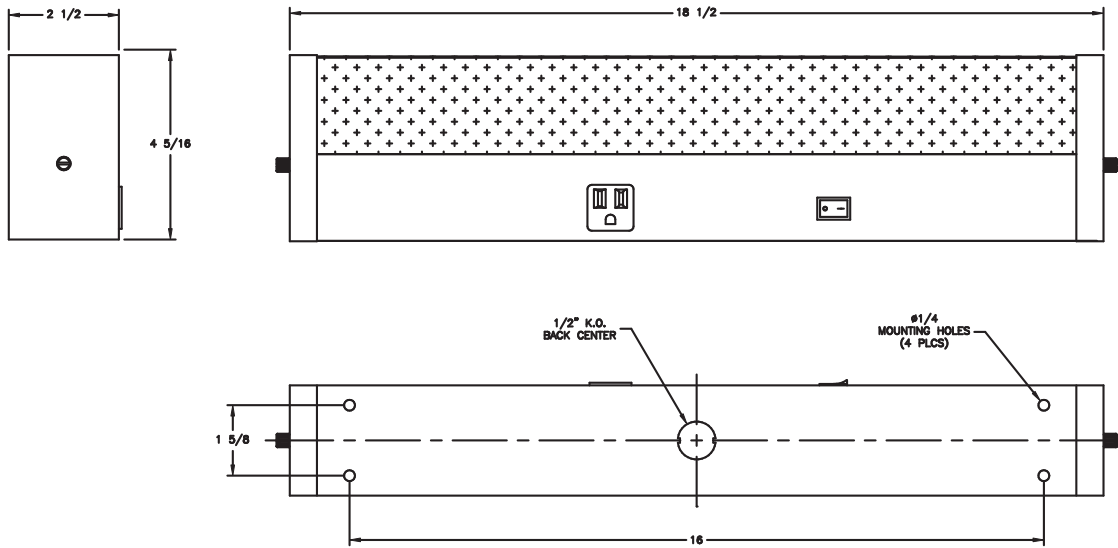
*Lamps are not included unless option "L" is specified.

**120v only (conforms to IP40)

SPARE PARTS

Part No.	Description
FX2234	LENS
FX4048	LAMP HOLDERS
FX5206	BALLASTS
FX3508	LAMP, 15w T8
FX3049	SWITCH
CX3001	CONVENIENCE OUTLET

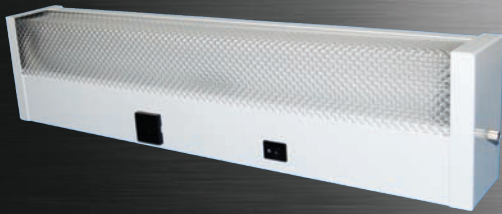
DIMENSIONS



Dimensions in inches

Pro

ProBerth FBR/ml



FEATURES

- Low profile design.
- Clear prismatic lens allows even light distribution.
- Tool-less entry for easy relamping.
- Double pole rocker switch provided.
- Convenience outlet available.
- Lamp(s) provided.

APPLICATIONS

- Berth
- Marine interior
- Under cabinet mounting
- State room



CHS Controls AB
Tel +46 42 38 61 00, Fax +46 42 38 61 29
chs@chscontrols.se www.chscontrols.se

APPROVALS

- Conforms to IP42 with NSP option, otherwise Conforms to IP40
- Marine Inside Type
- ABS

STANDARDS

- UL 1598A - Luminaires for Marine Vessels

TECHNICAL SPECIFICATIONS

HOUSING AND END CAPS

Galvanized steel with an electrostatically applied polyester powder coat finish.

LENS

Clear prismatic DR acrylic.

REFLECTOR

Galvanized steel with an electrostatically applied white polyester power coat finish. Minimum 90% reflectance.

ENTRIES

One 1/2" NPT knockout centered on back.

LAMP HOLDER

Polycarbonate, Mini Bi-Pin.

MOUNTING

Wall type, through luminaire interior, see DIMENSIONS for details.

CONVENIENCE OUTLET

Optional, 125v 3 wire 2 pole "U" ground. Not available on 220v models.

SWITCH

Rocker type, double pole.

TERMINAL BLOCK

3 pole.

BALLAST

120v AC 60Hz, see SPECIAL OPTIONS for other options.

Lamp Wattage	Ballast/Socket Type	ANSI Lamp Code	Starting Temp	Maximum Ambient*
8w	T5 Mini Bi-Pin G5	F8T5	50°F/10°C	55°C

*Consult factory for optional higher ambient models.

ORDERING REFERENCES

PART NUMBER	DESCRIPTION	NO. LAMPS	WEIGHT LBS
FBR18	Berth Type	1	2.2
FBR28	Berth Type	2	2.4

SPECIAL OPTIONS

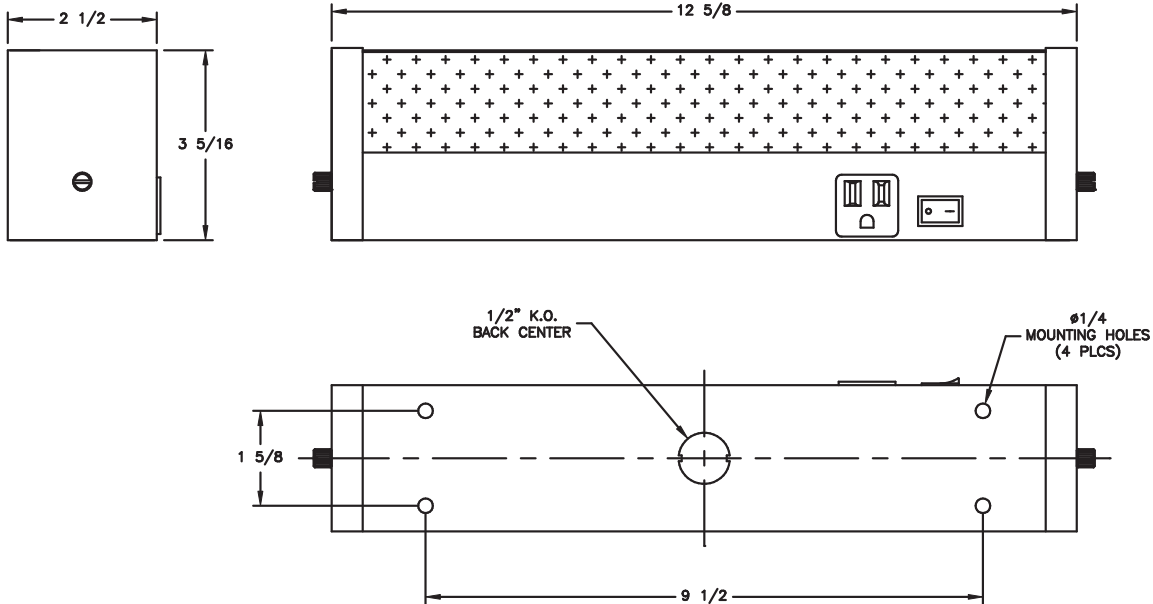
- CO* - 15 amp Convenience Outlet
- NSP - No Switch Provided
- 225 - 220v 50Hz
- 226 - 220v 60Hz

*120v only (conforms to IP40)

SPARE PARTS

Part No.	Description
FX2233	LENS
FX4066	LAMP HOLDERS
FX5206	BALLASTS
FX3509	LAMP, F8T5
FX3049	SWITCH
CX3001	CONVENIENCE OUTLET

DIMENSIONS



Dimensions in inches

Pro

ProBerth FBL/ml



FEATURES

- Compact design.
- Extruded aluminum housing for maximum durability.
- Clear fluted lens allows even light distribution.
- Wrap around lens design, 180° light dispersion.
- Single pole switch provided.
- Double pole switch and convenience outlet available.
- Lamp(s) provided.

APPLICATIONS

- Berth and mirror
- Marine interior
- Under cabinet mounting
- State room
- Head

APPROVALS

- Conforms to IP50
- Marine Inside Drip Proof Type
- ABS

STANDARDS

- UL 1598A - Luminaires for Marine Vessels

TECHNICAL SPECIFICATIONS

HOUSING

Type 6061T6 aluminum with an electrostatically applied polyester powder coat finish.

LENS

Clear fluted DR acrylic.

REFLECTOR

FBL18/28 - highly reflective copper free aluminum, FBL117 - copper free aluminum with an electrostatically applied white polyester power coat finish. Both minimum 90% reflectance.

ENTRIES

One 1/2" and one 3/4" NPT knockouts.

LAMP HOLDER

Polycarbonate, Mini Bi-Pin.

MOUNTING

Wall type, through luminaire interior, see DIMENSIONS for details.

CONVENIENCE OUTLET

Optional 125v 3 wire 2 pole "U" ground. Not available on 220v models.

SWITCH

Push type momentary contact. Optional double pole toggle.

BALLAST

120v AC 60Hz for 8 and 17w. See SPECIAL OPTIONS for other voltages.

Lamp Wattage	Ballast/Socket Type	ANSI Lamp Code	Starting Temp	Maximum Ambient*
8	T5 Mini Bi-Pin G5	F8T5	50°F/10°C	55°C
17	T8 Bi-Pin G13	F17T8	0°F/-18°C	55°C

*Consult factory for optional higher ambient models.



CHS Controls AB
Tel +46 42 38 61 00, Fax +46 42 38 61 29
chs@chscontrols.se www.chscontrols.se

ORDERING REFERENCES

PART NUMBER	DESCRIPTION	NO. LAMPS/ LAMP WATTAGE	WEIGHT LBS
FBL18	Berth/Mirror Type	1 x 8w	2.0
FBL28	Berth/Mirror Type	2 x 8w	2.5
FBL117	Berth/Mirror Type	1 x17w	3.0

SPECIAL OPTIONS

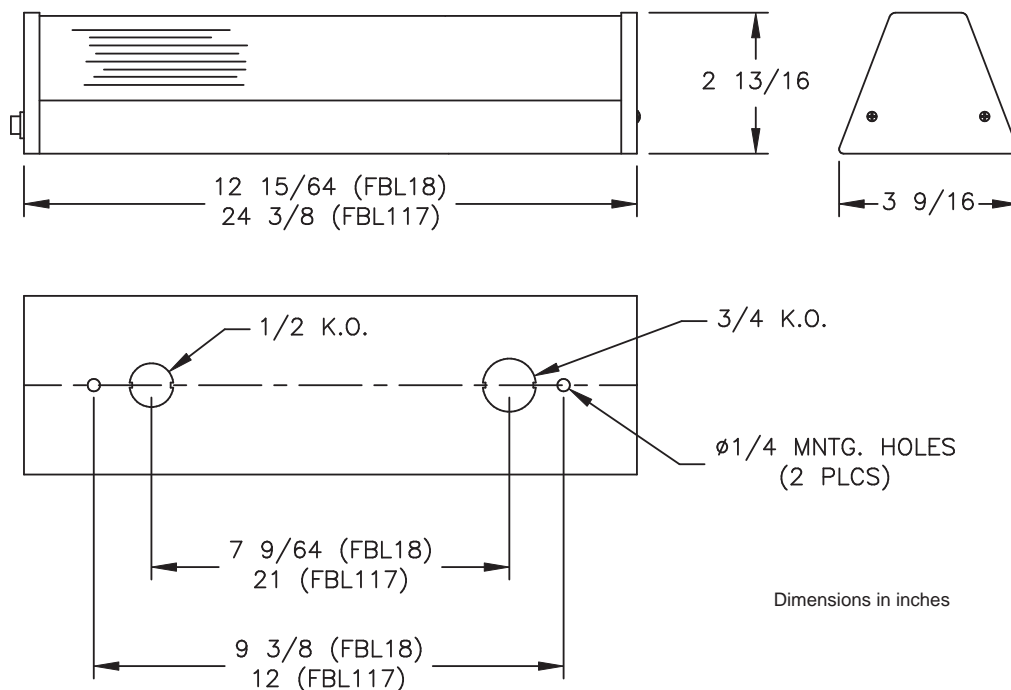
- CO* - 15 amp Convenience Outlet
- DS* - Double Pole Switch
- 226 - 220v 60Hz

*8 watt one lamp only.

SPARE PARTS

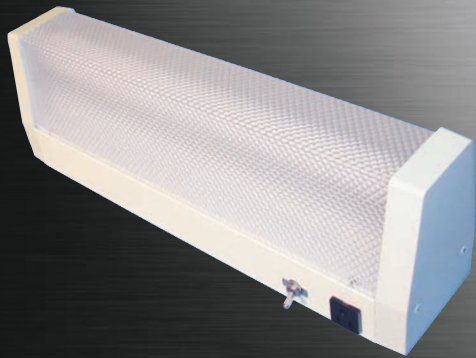
Part No.	Description
FX5012	BALLAST, FBL18
FX5214	BALLAST, FBL28
FX5214	BALLAST, FBL117
FX3509	LAMP, 8w, T5
FX3528	LAMP, 17w, T8
FX2021-1	LENS, FBL 18
FX2021-2	LENS, FBL 117
FX4029	LAMP HOLDER, FBL18
FX4048	LAMP HOLDER, FBL117
FX3029	PUSH TYPE SWITCH
INX3012	DOUBLE POLE SWITCH

DIMENSIONS



Pro

ProBerth FN/ml



FEATURES

- Compact design.
- Extruded aluminum housing for maximum durability.
- Clear prismatic lens allows even light distribution.
- Wrap around lens design, 180° light dispersion.
- Double pole switch and convenience outlet provided.



CHS Controls AB
 Tel +46 42 38 61 00, Fax +46 42 38 61 29
 chs@chscontrols.se www.chscontrols.se

APPLICATIONS

- Berth and mirror
- Marine interior
- Under cabinet mounting
- State room
- Head

APPROVALS

- Conforms to IP50
- Marine Inside Type
- ABS

STANDARDS

- UL 1598A - Luminaires for Marine Vessels

TECHNICAL SPECIFICATIONS

HOUSING

Type 6005T5 aluminum with an electrostatically applied white polyester powder coat finish.

LENS

Prismatic DR Acrylic.

REFLECTOR

Type 5052H32 aluminum with an electrostatically applied polyester power coat finish. Minimum 90% reflectance.

ENTRIES

One 1/2" and one 3/4" NPT knockouts.

CONVENIENCE OUTLET

125v 3 wire 2 pole "U" ground. Optional "No Convenience Outlet". Not provided on 220v 60Hz models.

SWITCH

Double pole toggle.

LAMP HOLDER

Polycarbonate, Bi-Pin

MOUNTING

Wall type, through luminaire interior, see DIMENSIONS for details.

BALLAST

120v AC 60Hz for 15w, 20w and 40w. 120 to 277 volt 50/60 Hz electronic for 17w and 32w. See SPECIAL OPTIONS for other voltages.

Lamp Wattage	Ballast/Socket Type	ANSI Lamp Code	Starting Temp	Maximum Ambient*
15w	T8 Bi-Pin G13	F15T8	50°F/10°C	40°C
17w	T8 Bi-Pin G13	F17T8	0°F/-18°C	55°C
20w	T12 Bi-Pin G13	F20T12	50°F/10°C	40°C
32w	T8 Bi-Pin G13	F32T8	0°F/-18°C	55°C
40w	T12 Bi-Pin G13	F40T12/ES	50°F/10°C	40°C

*Consult factory for optional higher ambient models.

ORDERING REFERENCES

PART NUMBER	DESCRIPTION	NO. LAMPS/ LAMP WATTAGE	WEIGHT LBS
FN115	Berth/Mirror Type	1 x 15w	6.2
FN215	Berth/Mirror Type	2 x 15w	6.2
FN117	Berth/Mirror Type	1 x 17w	5.9
FN217	Berth/Mirror Type	2 x 17w	5.9
FN120	Berth/Mirror Type	1 x 20w	7.2
FN220	Berth/Mirror Type	2 x 20w	7.2
FN132	Hallway/Under Counter Type	1 x 32w	10.0
FN140	Hallway/Under Counter Type	1 x 40w	11.0

SPECIAL OPTIONS

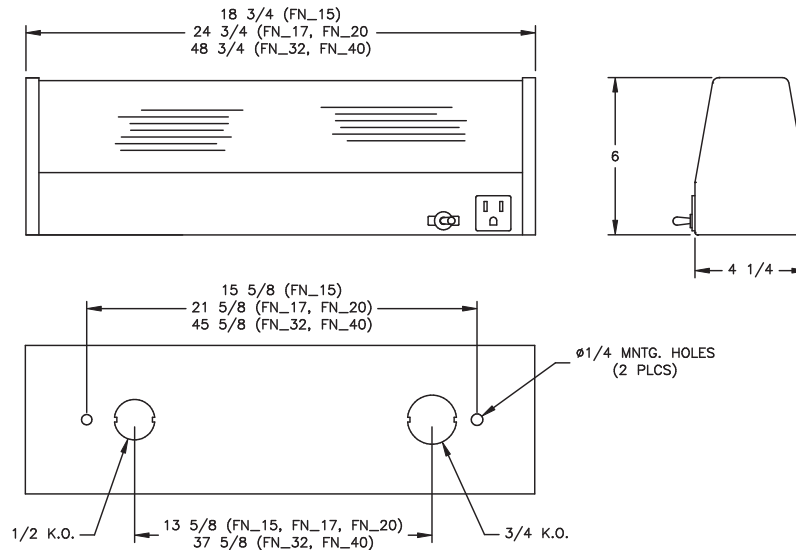
- L* - Lamp
- LCO - Luminaire without Convenience Outlet
- 225** - 220v 50 Hz
- 226** - 220v 60 Hz
- 276** - 277v 60 Hz

*Lamps are not included unless option "L" is specified.
**Not available with convenience outlet.

SPARE PARTS

Part No.	Description	Part No.	Description
FX5009	BALLAST, 1 x 15	FX3527	LAMP, 32w, F32T8
FX5174	BALLAST, 1 x 17	Fx3517	LAMP, 40w, F40T12ES
FX5221	BALLAST, 1 x 32	FX2189	LENS, 15w
FX5326	BALLAST, 1 x 40	FX2189-2	LENS, 17w/20w
FX5001	BALLAST, 2 x 15	FX2189-4	LENS, 32w/40w
FX5340	BALLAST, 2 x 17	CX3019	CONVENIENCE OUTLET
FX5001	BALLAST, 2 x 20	FX4032	LAMP HOLDERS, Set of 2
FX3508	LAMP, 15w, F15T8	INX3012	DOUBLE POLE TOGGLE SWITCH
FX3528	LAMP, 17w, F17T8		
FX3506	LAMP, 20w, F20T12		

DIMENSIONS



Dimensions in inches

Pro

ProBerth F1061/ml



FEATURES

- Compact design.
- Adjustable shade.
- Double pole switch and convenience outlet provided.



CHS Controls AB
Tel +46 42 38 61 00, Fax +46 42 38 61 29
chs@chscontrols.se www.chscontrols.se

APPLICATIONS

- Berth and mirror
- Marine Interior
- Under cabinet mounting
- State room
- Head

APPROVALS

- Conforms to IP40
- Marine Inside Type
- ABS

STANDARDS

- UL 1598A - Luminaires for Marine Vessels

TECHNICAL SPECIFICATIONS

HOUSING/SHADE

Type 5052H32 aluminum with an electrostatically applied white polyester powder coat finish. Minimum 90% reflectance.

END CAPS

White polycarbonate.

ENTRIES

One 1/2" and one 3/4" NPT knockouts.

LAMP HOLDER

Thermoplastic, Bi-Pin.

MOUNTING

Wall type, through luminaire interior, see DIMENSIONS for details.

CONVENIENCE OUTLET

125v 3 wire 2 pole "U" ground. Optional "No Convenience Outlet". Not provided on 220v models.

BALLAST

120v AC 60Hz, see SPECIAL OPTIONS for other options.

Lamp Wattage	Ballast/Socket Type	ANSI Lamp Code	Starting Temp	Maximum Ambient*
15	T8 Bi-Pin G13	F15T8	50°F/10°C	40°C

*Consult factory for optional higher ambient models.

ORDERING REFERENCES

PART NUMBER	DESCRIPTION	NO. LAMPS	WEIGHT LBS
F1061	Berth/Mirror Type	1	7.3

SPECIAL OPTIONS

- L* - Lamp
- LCO - Less Convenience Outlet
- T - Terminal Block
- 225** - 220v 50 Hz
- 226** - 220v 60 Hz

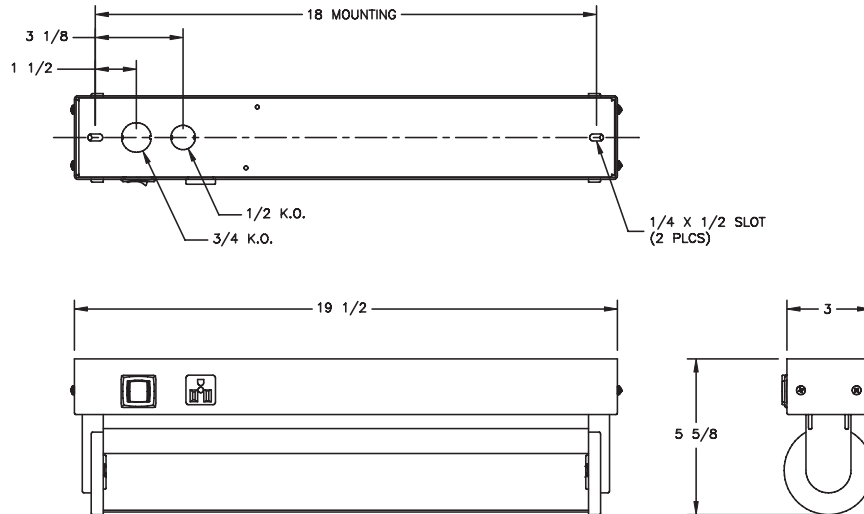
*Lamps are not included unless option "L" is specified.

**Not available with convenience outlet.

SPARE PARTS

Part No.	Description
FX5009	BALLAST
CX3001	CONVENIENCE OUTLET
FX4001	LAMP HOLDER
INX3379	DOUBLE POLE ROCKER SWITCH
FX3508	LAMP F15T8
FX4539W	SHADE

DIMENSIONS



Dimensions in inches

Pro

ProBerth F1062/ml



FEATURES

- Compact design.
- Adjustable shade.
- Single pole switch provided.
- Lamp provided.



CHS Controls AB
Tel +46 42 38 61 00, Fax +46 42 38 61 29
chs@chscontrols.se www.chscontrols.se

APPLICATIONS

- Berth and mirror
- Marine Interior
- Under cabinet mounting
- State room
- Head

APPROVALS

- Conforms to IP40
- Marine Inside Type
- ABS

STANDARDS

- UL 1598A - Luminaires for Marine Vessels

TECHNICAL SPECIFICATIONS

HOUSING/SHADE

Type 5052H32 aluminum with an electrostatically applied white polyester powder coat finish. Minimum 90% reflectance.

END CAPS

White polycarbonate.

ENTRIES

One 1/2" and one 3/4" NPT knockouts.

LAMP HOLDER

Polycarbonate, Mini Bi-Pin.

MOUNTING

Wall type, through luminaire interior, see DIMENSIONS for details.

CONVENIENCE OUTLET

Optional 125v 3 wire 2 pole "U" ground. Not available on 220v models.

SWITCH

Push type momentary contact. Optional double pole toggle.

BALLAST

120v AC 60Hz, See SPECIAL OPTIONS for other options.

Lamp Wattage	Ballast/Socket Type	ANSI Lamp Code	Starting Temp	Maximum Ambient*
8	T5 Mini Bi-Pin G5	F8T5	50°F/10°C	55°C

*Consult factory for optional higher ambient models.

ORDERING REFERENCES

PART NUMBER	DESCRIPTION	NO. LAMPS	WEIGHT LBS
F1062	Berth/Mirror Type	1	2.0

SPECIAL OPTIONS

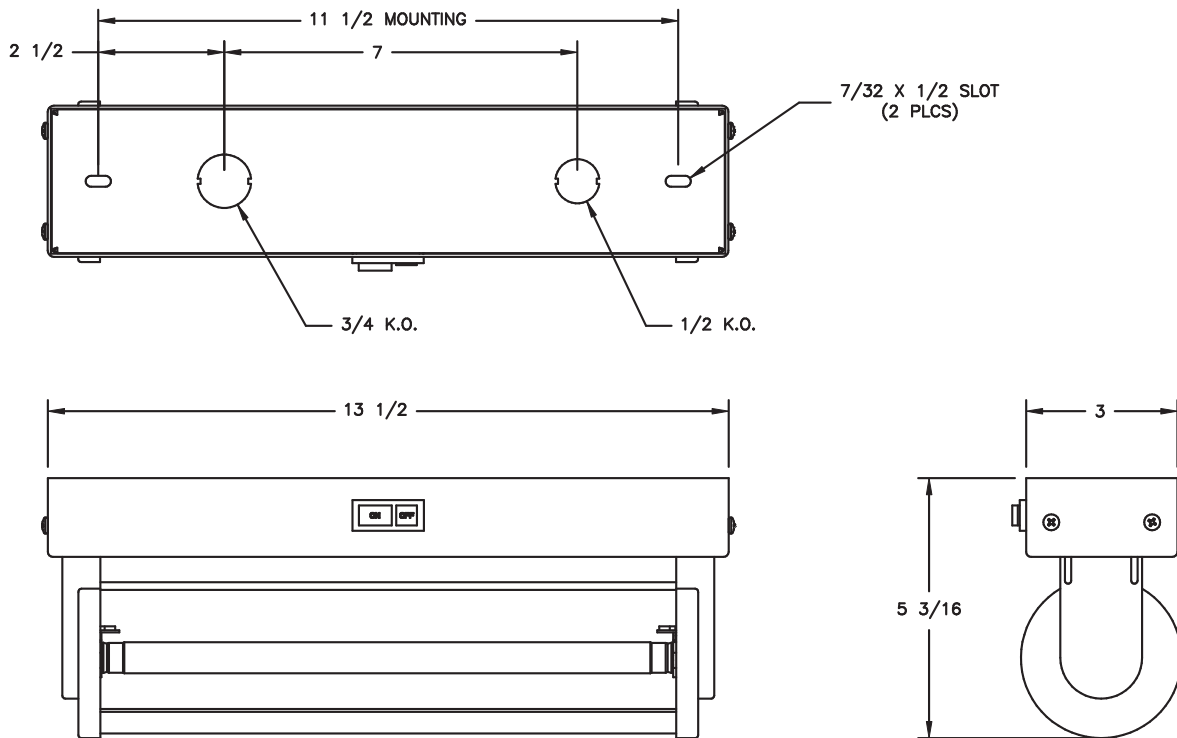
- CO - Convenience Outlet
- DS - Double Pole Toggle Switch
- 225* - 220v 50 Hz
- 226* - 220v 60 Hz

*Not available with convenience outlet.

SPARE PARTS

Part No.	Description
FX5012	BALLAST
FX3509	LAMP F8T5
FX4029	LAMP HOLDER
FX3029	PUSH TYPE SWITCH

DIMENSIONS



Dimensions in inches

Pro

ProBerth

F115/F215/ml



FEATURES

- Clear prismatic lens allows even light distribution.
- Double pole switch and convenience outlet provided.
- Wrap around lens design, 180° light dispersion.

APPLICATIONS

- Berth and mirror
- Marine interior
- Under cabinet mounting



CHS Controls AB
Tel +46 42 38 61 00, Fax +46 42 38 61 29
chs@chscontrols.se www.chscontrols.se

- State room
- Head

APPROVALS

- Conforms to IP40
- Marine Inside Type
- ABS

STANDARDS

- UL 1598A - Luminaires for Marine Vessels

TECHNICAL SPECIFICATIONS

HOUSING

Type 5052H32 aluminum with an electrostatically applied white polyester powder coat finish.

REFLECTOR

Type 5052H32 aluminum with an electrostatically applied white polyester powder coat finish. Minimum 90% reflectance.

LENS

Prismatic DR acrylic.

ENTRIES

One 3/4" and one 1/2" NPT knockouts. See DIMENSIONS for details.

LAMP HOLDER

Thermoplastic, Bi-Pin.

MOUNTING

Wall type, through luminaire interior, see DIMENSIONS for details.

CONVENIENCE OUTLET

125v 3 wire 2 pole "U" ground. Optional "No Convenience Outlet". Not provided on 220v 60Hz models.

SWITCH

Double pole toggle.

BALLAST

120v AC 60Hz, See SPECIAL OPTIONS for other options.

Lamp Wattage	Ballast/Socket Type	ANSI Lamp Code	Starting Temp	Maximum Ambient*
15	T8 Bi-Pin G13	F15T8	50°F/10°C	40°C

*Consult factory for optional higher ambient models.

ORDERING REFERENCES

PART NUMBER	DESCRIPTION	NO. LAMPS	WEIGHT LBS
F115	Berth/Mirror Type	1	7.0
F215	Berth/Mirror Type	2	7.0

SPECIAL OPTIONS

- L* - Lamp
- LCO - Without Convenience Outlet
- 225** - 220v 50 Hz
- 226** - 220v 60 Hz
- 276** - 277v 60 Hz

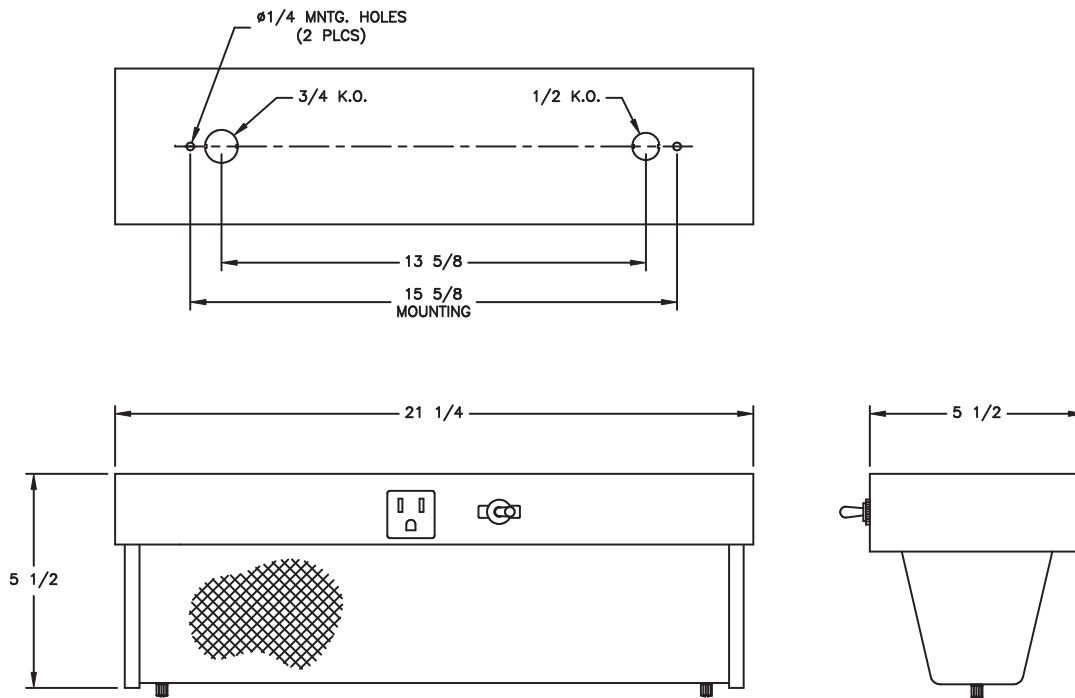
*Lamps are not included unless option "L" is specified.

**Not available with Convenience Outlet.

SPARE PARTS

Part No.	Description
FX2092	LENS
FX4036	LAMP HOLDERS, Set of 2
CX3001	CONVENIENCE OUTLET
FX5009	BALLAST, 1 X 15
FX5001	BALLAST, 2 X 15
INX3012	DOUBLE POLE SWITCH
FX3508	LAMP, F15T8

DIMENSIONS



Dimensions in inches

Pro

ProLamp

FE215/FE28/ml



FEATURES

- Adjustable arm extensions available.
- Impact resistant clear lens.
- Optional colored lenses available.
- Hinged lens frame allows transition between colored and white light.
- Double pole switch provided.
- Convenience outlet available.

APPLICATIONS

- Bulkhead mount desk and chart
- Marine interior
- Pilot house
- Office



CHS Controls AB
Tel +46 42 38 61 00, Fax +46 42 38 61 29
chs@chscontrols.se www.chscontrols.se

APPROVALS

- Conforms to IP40
- Marine Inside Type
- ABS

STANDARDS

- UL 1598A - Luminaires for Marine Vessels

TECHNICAL SPECIFICATIONS

HOUSING/SHADE

Type 5052H32 aluminum with an electrostatically applied light gray polyester powder coat finish.

REFLECTOR

Type 5052H32 aluminum with an electrostatically applied polyester powder coat finish. Minimum 90% reflectance.

END CAPS

Acrylonitrile butadiene styrene (ABS).

LENS

8w - No lens, optional acrylic, choice of clear, red or yellow. 15w - acrylic lens, choice of clear, red or yellow.

ENTRIES

One 3/4" and one 1/2" NPT knockouts. See DIMENSIONS for details.

LAMP HOLDER

Polycarbonate, Bi-Pin.

LAMP TYPE

Two fluorescent 8w T5 Mini Bi-Pin G5 or 15w T8 Bi-Pin G13. Lamps not provided.

CONVENIENCE OUTLET

Optional 125v 3 wire 2 pole "U" ground. Not available on 220v models.

SWITCH

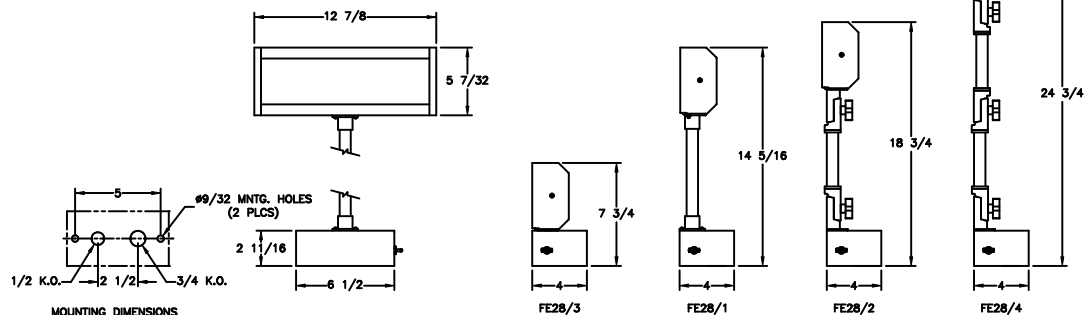
Double pole toggle.

BALLAST

120v 60 Hz. See SPECIAL OPTIONS for other options.

DIMENSIONS

FE28 Series



Dimensions in inches

ORDERING REFERENCES

PART NUMBER	DESCRIPTION	NO. LAMPS/ LAMP WATTAGE	WEIGHT LBS
FE28/1	Stationary	2 x 8w	3.5
FE215CV/1	Arm	2 x 15w	8.2
FE28/2	Single adjustable	2 x 8w	4.0
FE215CV/2	Arm	2 x 15w	8.7
FE28/3	No Arm, No Neck	2 x 8w	3.3
FE215CV/3	No Arm, No Neck	2 x 15w	8.0
FE28/4	Double Adjustable	2 x 8w	4.5
FE215CV/4	Arm	2 x 15w	9.5

SPARE PARTS

Part No.	Description
FX5214	BALLAST, 2 x 8
FX5001	BALLAST, 2 x 15
FX3509	LAMP, 8w T5 Mini Bi-Pin G5 Fluorescent
FX3508	LAMP, 15w T8 Bi-Pin G13 Fluorescent
FX2118CLR	LENS, 8W, Clear
FX2118RED	LENS, 8W, Red
FX2118YEL	LENS, 8W, Yellow
FX21118CLR	LENS, 15W, Clear
FX21118RED	LENS, 15W, Red
FX21118YEL	LENS, 15W, Yellow
FX4000	LAMP HOLDER, 8w
FX4048	LAMP HOLDER, 15w
INX3012	TOGGLE SWITCH

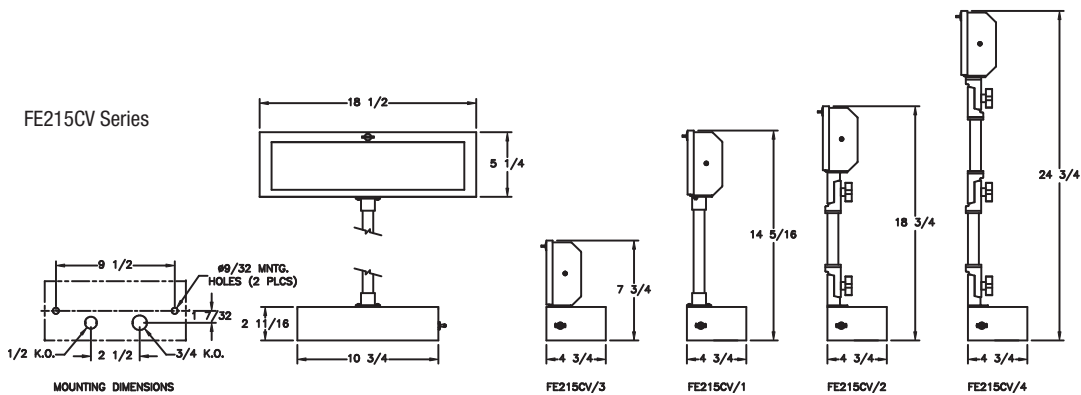
SPECIAL OPTIONS

- CV - Clear Lens (8w units)
- RV - Red Lens (Replace CV suffix)
- YV - Yellow Lens (Replace CV suffix)
- CO - Convenience Outlet
- 226* - 220v 60Hz
- L** - Lamps

*Not available with CO option.

**Lamps are not included unless option "L" is specified.

DIMENSIONS



Pro

ProLamp FE/ml



FEATURES

- Base designed for permanent mounting, hardware included.
- Fixed or adjustable arm models.
- Impact resistant clear lens.
- Optional colored lenses available.
- Hinged lens frame allows transition between colored and white light.
- Push type momentary contact switch provided.
- Eight foot cord and plug supplied.



CHS Controls AB
Tel +46 42 38 61 00, Fax +46 42 38 61 29
chs@chscontrols.se www.chscontrols.se

APPLICATIONS

- Fixed mount desk and chart
- Marine interior
- State room
- Office

APPROVALS

- Conforms to IP40
- Marine Inside Type
- ABS

STANDARDS

- UL 1598A - Luminaires for Marine Vessels

TECHNICAL SPECIFICATIONS

SHADE

Type 5052H32 aluminum housing with an electrostatically applied light gray polyester powder coat finish.

BASE

Die cast aluminum with an electrostatically applied light gray polyester powder coat finish.

END CAPS

Acrylonitrile butadiene styrene (ABS).

REFLECTOR

Type 5052H32 aluminum with an electrostatically applied white polyester powder coat finish. Minimum 90% reflectance.

LENS

Acrylic, clear. Optional, red or yellow.

LAMP HOLDER

Polycarbonate, Bi-Pin.

LAMP TYPE

Two 15w T8 Bi-Pin G13 fluorescent. Lamps not provided.

SWITCH

Push type momentary contact. Optional double pole toggle.

CORD AND PLUG

Three conductor SJT cord with NEMA 5-15P plug.

BALLAST

120v 60Hz.

ORDERING REFERENCES

PART NUMBER	DESCRIPTION	NO. LAMPS	WEIGHT LBS
FE215CV/5	Stationary Arms	2	7.0
FE215CV/6	Adjustable Arms	2	8.0

SPECIAL OPTIONS

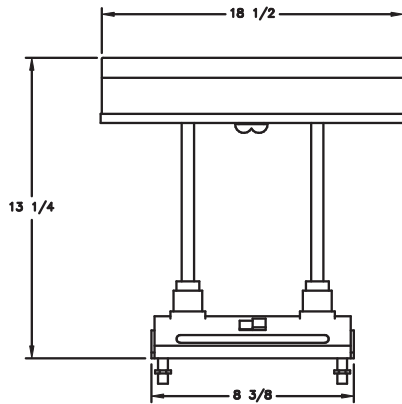
- RV - Red Lens (Replace CV suffix)
- YV - Yellow Lens (Replace CV suffix)
- DS - Double Pole Toggle Switch
- L* - Lamps

*Lamps are not included unless option "L" is specified.

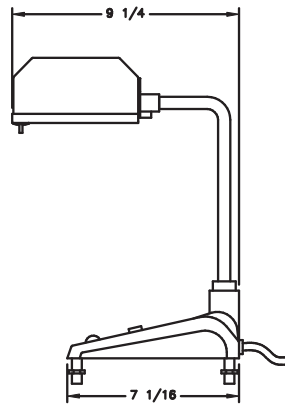
SPARE PARTS

Part No.	Description
FX5013	BALLASTS (2 required)
FX3508	LAMP F15T8
FX2111CLR	LENS, Clear
FX2111RED	LENS, Red
FX2111YEL	LENS, Yellow
FX4048	LAMP HOLDER
FX3029	SWITCH
INX3012	TOGGLE SWITCH

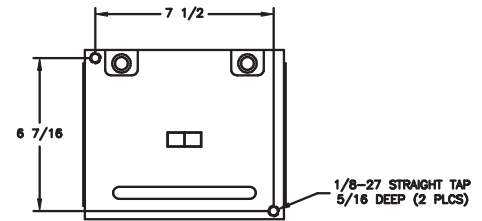
DIMENSIONS



FRONT VIEW



SIDE VIEW



BASE PLATE TOP VIEW
MOUNTING DIMENSIONS

Dimensions in inches

Pro

ProLamp 1017B/ml



FEATURES

- Base designed for permanent mounting, hardware included.
- Robust base with a dark bronze finish.
- Decorative appearance with a polished marine brass center column.
- Eight foot cord, plug and double pole switch provided.



CHS Controls AB
Tel +46 42 38 61 00, Fax +46 42 38 61 29
chs@chscontrols.se www.chscontrols.se

APPLICATIONS

- Marine interior
- Cruise ships/commercial ferries
- Cabin lighting
- Table/desk lighting

APPROVALS

- Conforms to IP20
- Marine Inside Type
- ABS

TECHNICAL SPECIFICATIONS

BASE

Steel with an electrostatically applied dark bronze polyester powder coat finish.

CENTER COLUMN

Marine brass, polished with a clear coat protective finish.

MOUNTING

Designed for table or desk with 1/4" threaded pipe and lock nuts to facilitate permanent mounting.

LAMP HOLDER

Medium base.

LAMP TYPE

Suitable for use with a 150w A-21 max. Lamp not provided.

SHADE

White polyplastic.

SWITCH

Rocker type, double pole.

CORD AND PLUG

8 foot cord with a NEMA 5-15P plug.

VOLTAGE

Rated to 120v.

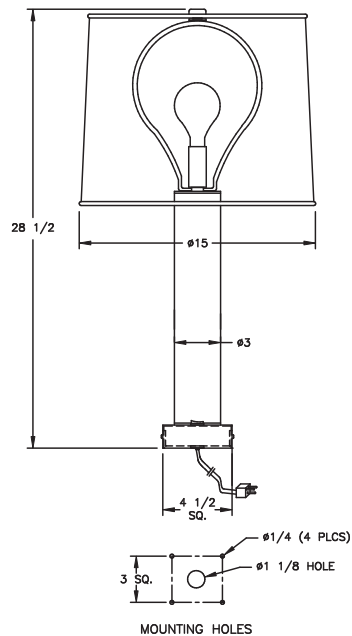
ORDERING REFERENCES

PART NUMBER	DESCRIPTION	NO. LAMPS	WEIGHT LBS
1017B	Table Lamp	A-21 150w max	4.0

SPARE PARTS

Part No.	Description
INX3526	LAMP, 60w
INX3528	LAMP, 100w
INX3543	LAMP, 150w
INX4009	LAMP HOLDER
INX3378	SWITCH
INX8146	SHADE

DIMENSIONS



Dimensions in inches

Pro

ProExit F17/ml



FEATURES

- Low profile design.
- ABS outer housing for maximum corrosion resistance
- Optional, self contained emergency battery backup ballasts.
- Choice of vertical or horizontal lettering.
- Double sided lettering.
- Built-in downlight prismatic lens.
- Lamps provided.



CHS Controls AB
Tel +46 42 38 61 00, Fax +46 42 38 61 29
chs@chscontrols.se www.chscontrols.se

APPLICATIONS

- Exit marking
- Emergency egress
- Marine interior

APPROVALS

- Conforms to IP40
- ABS

TECHNICAL SPECIFICATIONS

OUTER HOUSING

Acrylonitrile butadiene styrene (ABS) gloss white.

COMPONENT HOUSING

Type 5052H32 aluminum with an electrostatically applied white polyester powder coat finish.

REFLECTOR

Type 5053H32 aluminum with an electrostatically applied white polyester powder coat finish. Minimum 90% reflectance.

DIFFUSER

Polycarbonate with red lettering.

ENTRIES

1/2" and 3/4" NPT knockouts. See DIMENSIONS for details.

LAMP TYPE

Two 8w T5 Mini Bi-Pin G5 lamps, provided.

MOUNTING

Surface, recessed or pendant.

BALLAST

120v AC 60Hz. See SPECIAL OPTIONS for other voltages.

EMERGENCY BATTERY BACKUP BALLAST

Optional, self contained 90 minute minimum for all lamp types. Starting temperature 32°F/0°C.

ORDERING REFERENCES

PART NUMBER	DESCRIPTION	LETTERING	WEIGHT LBS
F1703	Surface Type	Horizontal	5.5
F1704	Surface Type	Vertical	5.5
F1703F	Recessed Type	Horizontal	5.5
F1704F	Recessed Type	Vertical	5.5
F1705	Pendant Type	Horizontal	5.5

SPECIAL OPTIONS

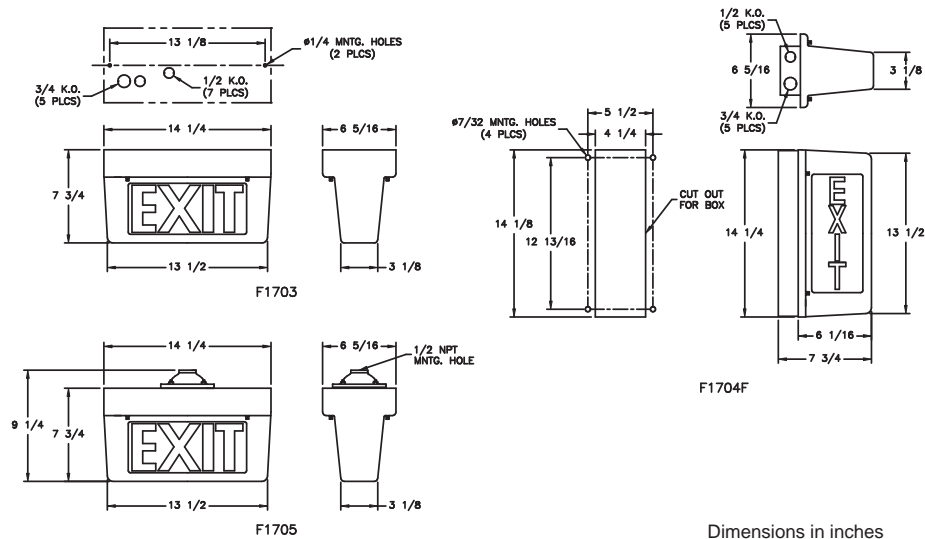
- EM - Emergency Battery Backup Ballast, 1 lamp
- 225 - 220v 50Hz
- 226 - 220v 60Hz
- 276 - 277v 60Hz
- SPN - Spanish Lettering (SALIDA)

SPARE PARTS

Part No.	Description		
FX5012	BALLAST, 2 Required	FX9023F*	COVER ASSEMBLY with Lenses, F1703F model
FX5019	EMERGENCY BATTERY BACKUP BALLAST, 1 lamp, 120 or 277v max	FX9023FEM*	COVER ASSEMBLY with Lenses, Emergency, F1703F model
FX3509	LAMP, F8T5	FX9024*	COVER ASSEMBLY with Lenses, F1704 model
FX2072	DOWN LIGHT	FX9024EM*	COVER ASSEMBLY with Lenses, Emergency, F1704F
FX4000	LAMP HOLDER	FX9024F*	COVER ASSEMBLY with Lenses, F1704F model
FX9023*	COVER ASSEMBLY with Lenses, F1703/F1705 models	FX9024FEM*	COVER ASSEMBLY with Lenses, Emergency, F1704F model
FX9023EM*	COVER ASSEMBLY with Lenses, Emergency, F1703/F1705 models		

*Add -SPN for Spanish lettering (SALIDA).

DIMENSIONS



Pro

ProExit F/ml



FEATURES

- Low profile design.
- Optional, self contained emergency battery backup ballasts.
- Edge lit acrylic with etched letters.
- Single or double sided lettering.
- Surface or recessed mounting.
- Lamps provided.



CHS Controls AB
Tel +46 42 38 61 00, Fax +46 42 38 61 29
chs@chscontrols.se www.chscontrols.se

APPLICATIONS

- Exit marking
- Emergency egress
- Marine interior

APPROVALS

- Conforms to IP20
- ABS

TECHNICAL SPECIFICATIONS

HOUSING/COVER

Type 5052H32 aluminum with an electrostatically applied white polyester powder coat finish.

DIFFUSER

Acrylic with red letters.

ENTRIES

One 1/2" NPT knockout at each end. See DIMENSIONS for details.

LAMP TYPE

One 8w T5 Mini Bi-Pin G5 lamp, provided.

MOUNTING

Ceiling or recessed ceiling type.

BALLAST

120v AC 60Hz. See ORDERING REFERENCES for other voltages.

EMERGENCY BATTERY BACKUP BALLAST

Optional, self contained 90 minute minimum for all lamp types. Starting temperature 32°F/0°C.

ORDERING REFERENCES



1. Number of Faces

- F1A - Single Face
- F2A - Double Face

2. Mounting

- CRW - Ceiling
- CFRW - Ceiling Recessed

3. Lens Option

- Blank - "EXIT" only
- EXER - "EMERGENCY EXIT"

4. Ballast

- EM - Emergency Battery Backup Ballast, 1 lamp

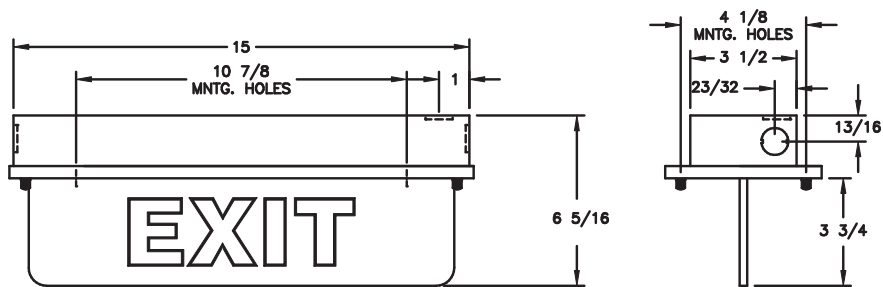
5. Voltage

- Blank - 120v AC 60Hz
- 226 - 220v AC 60Hz
- 225 - 220v AC 60Hz
- 276 - 277v AC 60Hz

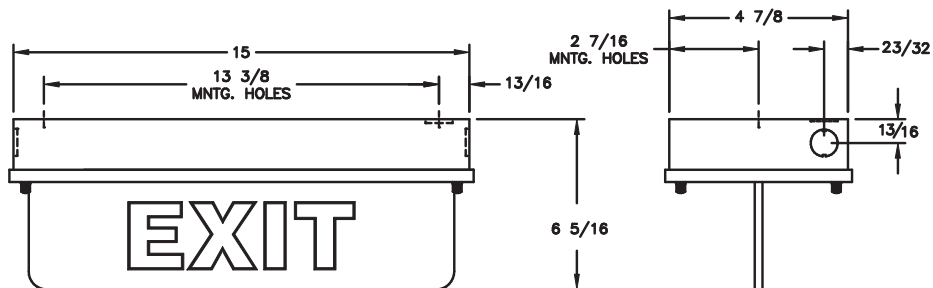
SPARE PARTS

Part No.	Description
FX5012	BALLAST, 120v 60Hz
FX5168	BALLAST, 220v 60Hz
FX5081	BALLAST, 220v 50Hz
FX5090	BALLAST, 277v 60Hz
FX5019	EMERGENCY BATTERY BACKUP BALLAST 120 or 277v AC
FX3509	LAMP
FX4029	LAMP HOLDER

DIMENSIONS



CEILING RECESSED MOUNT



CEILING MOUNT

Dimensions in inches

Pro

ProStep 814/816/ml



FEATURES

- Low profile flush mount step light.
- 814 models include louver to reduce glare and direct light.
- High temperature silicone gasket provides a watertight seal.

APPLICATIONS

- Marine and watertight requirements
- Gangway/walkway steps



CHS Controls AB
Tel +46 42 38 61 00, Fax +46 42 38 61 29
chs@chscontrols.se www.chscontrols.se

APPROVALS

- Conforms to IP66
- Marine Outside Type Saltwater
- ABS

STANDARDS

- UL 1598A - Luminaires for Marine Vessels

TECHNICAL SPECIFICATIONS

HOUSING AND LENS FRAME

Cast copper free aluminum.

COVERS

Cast copper free aluminum with an electrostatically applied light gray polyester powder coat finish.

HARDWARE

Stainless steel.

ENTRIES

Standard units undrilled. Up to 1" NPT four way available. See ENTRY OPTIONS for selections.

GASKET

One piece silicone.

MOUNTING

Recessed wall type. See DIMENSIONS for details.

LAMP HOLDER

Medium base, porcelain.

LENS

Tempered glass.

LAMP TYPE

A-19 40w incandescent. Lamp not provided.

VOLTAGE

Rated to 250v.

ORDERING REFERENCES

PART NUMBER	DESCRIPTION	NO. LAMPS	WEIGHT LBS
814AS	Clear Lens, Surface Louver	2	3.8
816AS	Frosted Lens, No Louver	2	3.6

SPARE PARTS

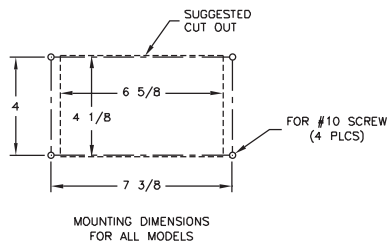
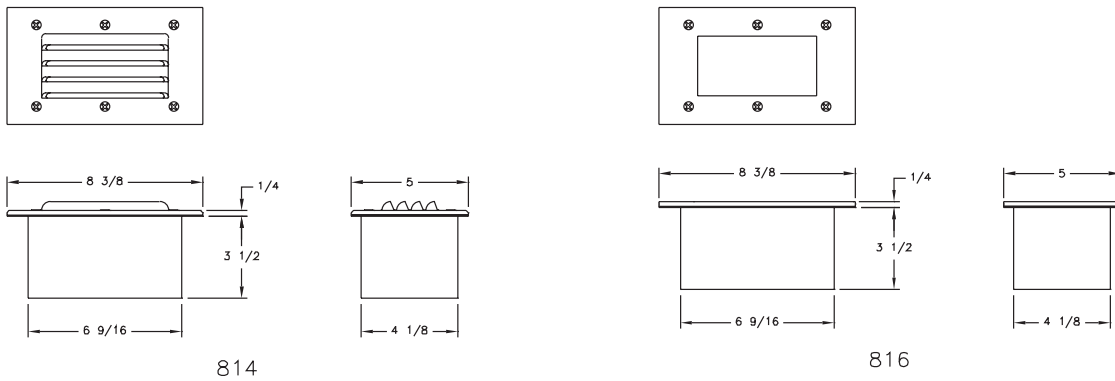
Part No.	Description
INX4088	LAMP HOLDER
INX2114	LENS, 814, Clear
INX2002	LENS, 816, Frosted
INX3531	LAMP, 40w A-19
GKT5024	GASKET, Lens Frame
GKT5089	GASKET, Mounting

ENTRY OPTIONS

NPT Trade Size	Dead End*	Thru Feed*	X-Positions
1/2"	E1	C1	X1
3/4"	E2	C2	X2
1"	E3	C3	X3

*Entries on short side of casting.

DIMENSIONS



Dimensions in inches



INDUSTRIAL WIRING DEVICES

Professional Use & Hazardous Area Certified

ProConnect Connectors	XPFxchange Explosionproof Switch	ProJbx Junction Box	HazJbx Hazardous Area Junction Box	XPFJbx Explosionproof Junction Box
80/86/96/wd - Pg. 396 	EPCS/wd - Pg. 402 	JUSN/wd - Pg. 404 	JUS/wd - Pg. 406 	EPJ505/wd - Pg. 410 
PPR/wd - Pg. 400 			HFS/wd - Pg. 408 	

Pro

ProConnect 80/86/96/wd



FEATURES

- Watertight ANSI NEMA type receptacle.
- Accepts standard ANSI NEMA type plugs.
- Mating plugs with integral threaded ring maintain a watertight seal.
- Available in seven different voltage configurations.
- Captive threaded receptacle cap.
- Receptacle cover fits "FS" style boxes.
- In-line cord connector available.



CHS Controls AB
Tel +46 42 38 61 00, Fax +46 42 38 61 29
chs@chscontrols.se www.chscontrols.se

APPLICATIONS

- Watertight requirements
- Oil Drilling rigs
- Gravel pits and quarries
- Construction sites
- General industrial plant wiring
- Instrumentation connection boxes
- Open pit mining

APPROVALS

- Type 3
- Type 4
- ABS

STANDARDS

- UL 498 - Attachment Plugs & Receptacles
- UL 514 - Fittings for Conduit and Outlet Boxes
- UL 1682 - Plugs, Receptacles & Cable Connectors
- C22.2 No. 42
- C22.2 No. 182.1/2/3

TECHNICAL SPECIFICATIONS

COVER/CAP/RING

Die-cast aluminum.

HARDWARE

Stainless steel.

VOLTAGE

125 Volt 15 Amp ANSI NEMA 5-15
250 Volt 15 Amp ANSI NEMA 6-15
125 Volt 20 Amp ANSI NEMA 5-20
250 Volt 20 Amp ANSI NEMA 6-20
120 Volt 15 Amp ANSI NEMA L5-15
250 Volt 15 Amp ANSI NEMA L6-15
277 Volt 15 Amp ANSI NEMA L7-15

ProConnect 96/wd

Watertight Receptacle for FS Box Mounting - Type 4

ORDERING REFERENCES

PART NUMBER	DESCRIPTION
NRL 96-1	125 Volt 15 Amp (5-15R)
NRL 96-2	250 Volt 15 Amp (6-15R)
NRL 96-3	125 Volt 20 Amp (5-20R)
NRL 96-4	250 Volt 20 Amp (6-20R)
NRL 96-5	120 Volt 15 Amp Locking (L5-15R)
NRL 96-6	250 Volt 15 Amp Locking (L6-15R)
NRL 96-7	277 Volt 15 Amp Locking (L7-15R)

CARTON SPECIFICATIONS

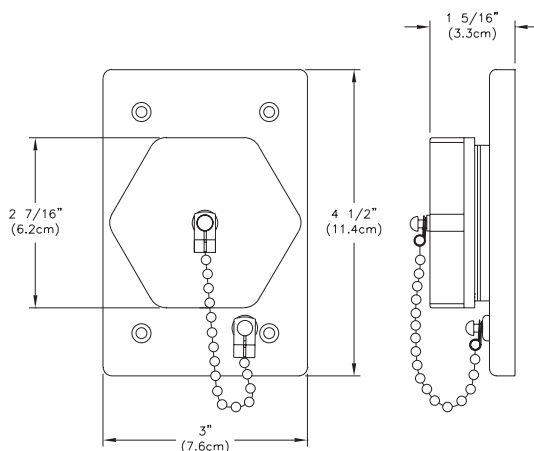
Quantity Per Carton	Weight Per Carton Lbs (Kg)	Size of Carton FT ³ (M ³)
10	7.7 (3.5)	0.4 (0.012)

SPARE PARTS

Part No.	Description	Weight	
		Lbs	Kg
NRL9604	Cast housing	0.26	0.12
NRL9601	Closed cap assembly	0.24	0.11
NRL9603	Neoprene gasket	0.04	0.02
NRL9611	Receptacle, 125 Volt 15 Amp	0.11	0.05
NRL9621	Receptacle, 250 Volt 15 Amp	0.11	0.05
NRL9631	Receptacle, 125 Volt 20 Amp	0.11	0.05
NRL9641	Receptacle, 250 Volt 20 Amp	0.11	0.05
NRL9651	Receptacle, 120 Volt 15 Amp*	0.11	0.05
NRL9661	Receptacle, 250 Volt 15 Amp*	0.11	0.05
NRL9671	Receptacle, 277 Volt 15 Amp*	0.11	0.05

*Locking type interiors

DIMENSIONS



NRL96

ProConnect 80/wd

Watertight Plug - Type 3 & 4

ORDERING REFERENCES

PART NUMBER	DESCRIPTION
NRL 80-1	125 Volt 15 Amp (5-15P)
NRL 80-2	250 Volt 15 Amp (6-15P)
NRL 80-3	125 Volt 20 Amp (5-20P)
NRL 80-4	250 Volt 20 Amp (6-20P)
NRL 80-5	120 Volt 15 Amp Locking (L5-15P)
NRL 80-6	250 Volt 15 Amp Locking (L6-15P)
NRL 80-7	277 Volt 15 Amp Locking (L7-15P)

CARTON SPECIFICATIONS

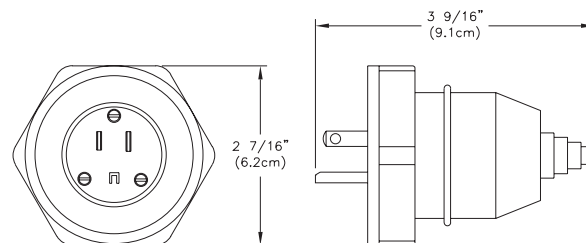
Quantity Per Carton	Weight Per Carton Lbs (Kg)	Size of Carton FT ³ (M ³)
10	6.7 (3.0)	0.4 (0.012)

SPARE PARTS

Part No.	Description	Weight	
		Lbs	Kg
NRL8002	Neoprene boot	0.1	0.04
NRL8001	Cast open ring	0.13	0.06
NRL8011	Plug, 125 Volt 15 Amp	0.15	0.07
NRL8021	Plug, 250 Volt 15 Amp	0.15	0.07
NRL8031	Plug, 125 Volt 20 Amp	0.15	0.07
NRL8041	Plug, 250 Volt 20 Amp	0.15	0.07
NRL8051	Plug, 120 Volt 15 Amp*	0.15	0.07
NRL8061	Plug, 250 Volt 15 Amp*	0.15	0.07
NRL8071	Plug, 277 Volt 15 Amp*	0.15	0.07

*Locking type interiors

DIMENSIONS



NRL80

ProConnect 86/wd

Watertight cord connector - Type 3

ORDERING REFERENCES

PART NUMBER	DESCRIPTION
NRL 86-1	125 Volt 15 Amp (5-15R)
NRL 86-2	250 Volt 15 Amp (6-15R)
NRL 86-3	125 Volt 20 Amp (5-20R)
NRL 86-4	250 Volt 20 Amp (6-20R)
NRL 86-5	120 Volt 15 Amp Locking (L5-15R)
NRL 86-6	250 Volt 15 Amp Locking (L6-15R)
NRL 86-7	277 Volt 15 Amp Locking (L7-15R)

CARTON SPECIFICATIONS

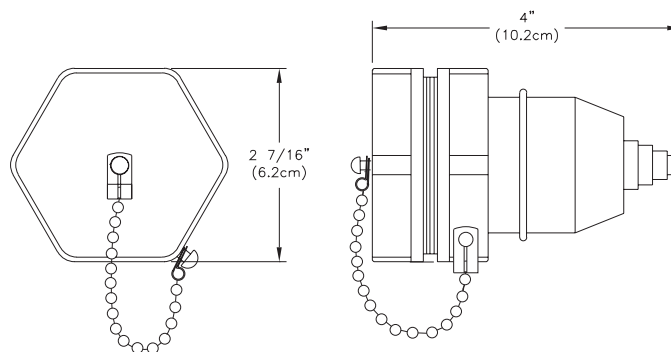
Quantity Per Carton	Weight Per Carton Lbs (Kg)	Size of Carton FT ³ (M ³)
10	6.7 (3.0)	0.4 (0.012)

SPARE PARTS

Part No.	Description	Weight	
		Lbs	Kg
NRL8002	Neoprene boot	0.1	0.04
NRL8601	Cast ring assembly	0.22	0.10
NRL9601	Closed cap assembly	0.24	0.11
NRL8611	Receptacle, 125 Volt 15 Amp	0.18	0.08
NRL8621	Receptacle, 250 Volt 15 Amp	0.18	0.08
NRL8631	Receptacle, 125 Volt 20 Amp	0.18	0.08
NRL8641	Receptacle 250 Volt 20 Amp	0.18	0.08
NRL8651	Receptacle 120 Volt 15 Amp*	0.18	0.08
NRL8661	Receptacle 250 Volt 15 Amp*	0.18	0.08
NRL8671	Receptacle 277 Volt 15 Amp*	0.18	0.08

*Locking type interiors

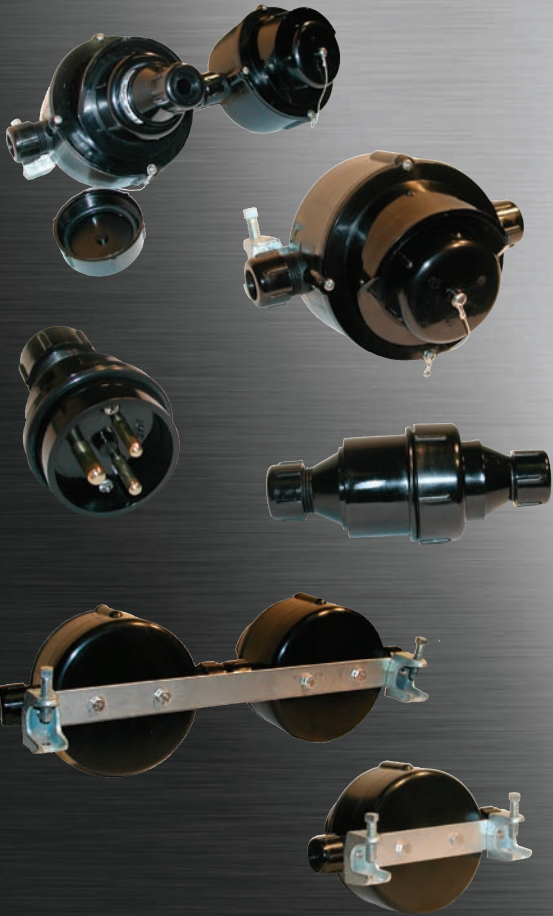
DIMENSIONS



NRL86

Pro

ProConnect PPR/wd



FEATURES

- Watertight non-metallic construction.
- Water shedding receptacle design.
- Corrosion resistant enclosure.
- Impact resistant.
- Captive threaded receptacle cap.
- Available in single or double gang types.
- Double gang receptacle provided with pre-stripped leads.
- Available in-line connector set.
- Flexible mounting and positioning via two adjustable beam clamps.
- Inter-mateable with other brands.
- Available in 2P3W and 3P4W.

APPLICATIONS

- Drilling rigs
- Instrumentation connection boxes
- Watertight requirements

APPROVALS

- Conforms to IP66
- ABS

TECHNICAL SPECIFICATIONS

HOUSING/CAP

6/6 nylon.

PLUG/RECEPTACLE/BODY

6/6 nylon.

HARDWARE

Stainless Steel.

BEAM CLAMPS

Zinc plated steel.

ENTRIES

Cable range - .375" to .625"

VOLTAGE

Rated up to 300v AC, 20 Amp max

MOUNTING

Via beam clamps.

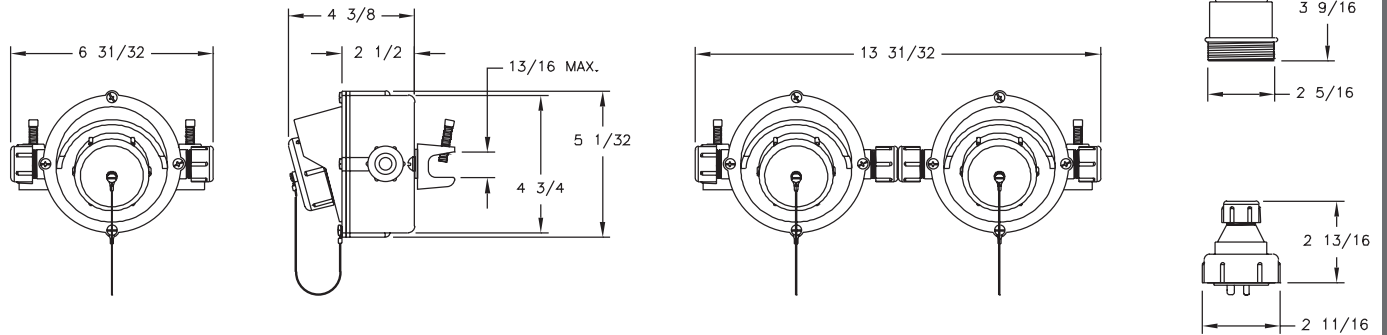
PLUG & RECEPTACLE

Pin and sleeve Pauluhn type.

ORDERING REFERENCES

PART NUMBER	DESCRIPTION	WEIGHT LBS
PR-123-BC	Single Receptacle, 2P3W	1.5
PR-223-BC	Double Receptacle, 2P3W	2.4
PC-1-3	In-line Connector with Plug, 2P3W	0.2
PP-123	Plug, 2P3W	0.2
PR-124-BC	Single Receptacle, 3P4W	1.5
PR-224-BC	Double Receptacle, 3P4W	2.4
PC-1-4	In-line Connector with Plug, 3P4W	0.2
PP-124	Plug, 3P4W	0.2

DIMENSIONS



Dimensions in inches

XPF

XPFXchange EPCS/wd



FEATURES

- May be locked into the ON or OFF position for added safety.
- Heavy duty mounting pads.
- Silicone lubricant provided for cover screws and flange.
- Flame tight, close tolerance threaded switch stem.
- 20 Amp single pole, double pole, three way and four way units.
- 20 Amp or 30 Amp Single Pole Double Throw and Double Pole Double Throw options.



CHS Controls AB
Tel +46 42 38 61 00, Fax +46 42 38 61 29
chs@chscontrols.se www.chscontrols.se

APPLICATIONS

- Class I & II explosive atmospheres
- Aircraft fueling & maintenance areas
- Oil and gas exploration and production
- Grain & sugar milling processing & storage
- Fuel dispensing facilities
- Petrochemical facilities
- Coal processing & storage
- Munitions manufacturing & storage
- Marine and watertight requirements
- Paint & formulation facilities
- Pipeline compressor / pumping & storage
- Alcohol formulation, blending & storage

APPROVALS

- Class I Divisions 1 & 2 Groups C & D
- Class II Divisions 1 & 2 Groups E, F & G
- Conforms to IP65
- ABS

STANDARDS

- UL 894 - Switches for Use in Hazardous Locations

TECHNICAL SPECIFICATIONS

BOX/COVER

Cast copper free aluminum.

SWITCH STEM

Stainless steel.

HARDWARE

Stainless steel.

MOUNTING

Surface mounted via two maximum $\frac{5}{16}$ " mounting bolts (not included).

SWITCHES

See ORDER REFERENCES for ratings.

VOLTAGE

120-277v AC.

ENTRIES

Standard one $\frac{1}{2}$ " NPT. Up to $\frac{3}{4}$ " NPT through feed available. See ENTRY OPTIONS for selections.

ORDERING REFERENCES

PART NUMBER	DESCRIPTION	WEIGHT LBS
EPCS2211A	Single Pole 20 Amp	4.5
EPCS2212A	Double Pole 20 Amp	4.5
EPCS2212A-30	Double Pole 30 Amp	4.5
EPCS2214A	Three Way 20 Amp	4.5
EPCS2215A	Four Way 20 Amp	4.5
EPCS2216A	Single Pole Double Throw (ON) 30 Amp	4.5
EPCS2217A	Single Pole Double Throw (ON/OFF/ON) 20 Amp	4.5
EPCS2218A	Double Pole Double Throw (ON/OFF/ON) 20 Amp	4.5
EPCS2219A	Double Pole Double Throw (ON) 30 Amp	4.5

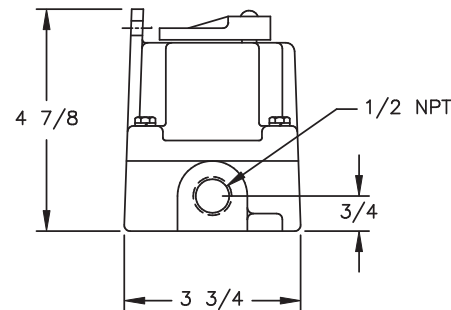
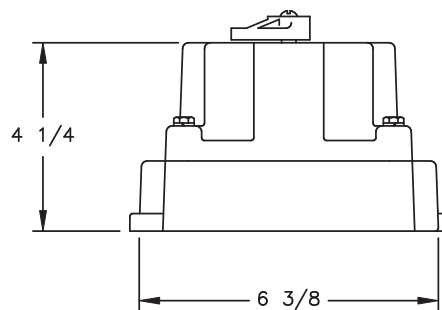
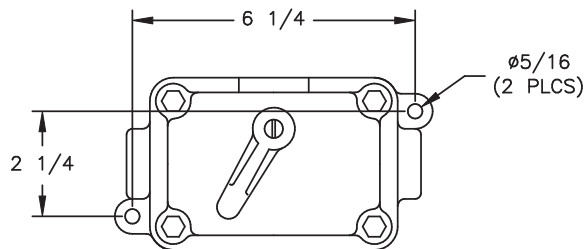
ENTRY OPTIONS

NPT Trade Size	Dead End	Thru Feed
1/2"	Std.	C1
3/4"	E2	C2

SPARE PARTS

Part No.	Description	Part No.	Description
INX8084A	HANDLE	INX3041	STANDARD SWITCH, Three Way 20 Amp
INX6109A	BOX	INX3202	STANDARD SWITCH, Four Way 20 Amp
GKT1041	"O" RING	INX3247	CENTER OFF SWITCH, Single Pole Double Throw 20 Amp
INX3025	STANDARD SWITCH, Single Pole 20 Amp	INX3292	CENTER OFF SWITCH, Double Pole Double Throw 20 Amp
INX3038	STANDARD SWITCH, Double Pole 20 Amp	INX3246	NO CENTER OFF SWITCH, Single Pole Double Throw 30 Amp
INX3008	STANDARD SWITCH, Double Pole 30 Amp	INX3249	NO CENTER OFF SWITCH, Double Pole Double Throw 30 Amp

DIMENSIONS



Dimensions in inches

Pro

ProJBX JUSN/wd



FEATURES

- Non-metallic junction box.
- High temperature silicone gasket provides a watertight seal.
- Two heavy duty mounting pads.
- Internal grounding lug with cup washer for stranded wiring.
- Four threaded entries with removable knockouts.
- Silicone gasket provides a watertight seal.



CHS Controls AB
Tel +46 42 38 61 00, Fax +46 42 38 61 29
chs@chscontrols.se www.chscontrols.se

APPLICATIONS

- Watertight & corrosive requirements
- Pharmaceutical & additives formulation & processing
- Waste water treatment plants
- Pulp & paper production
- Food & beverage processing facilities

APPROVALS

- Conforms to IP66
- ABS

TECHNICAL SPECIFICATIONS

BOX/COVER

Reinforced polyethylene terephthalate (PET).

HARDWARE

Stainless steel.

GASKET

One piece silicone.

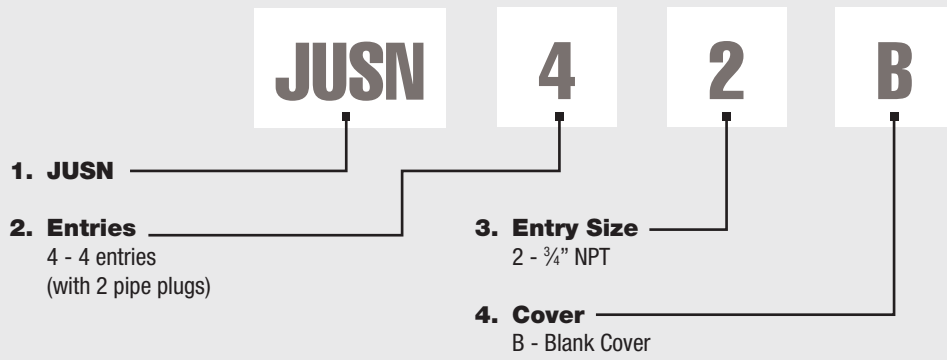
ENTRIES

Four 3/4" NPT threaded entries with knockouts.

MOUNTING

Surface via two maximum 1/4" mounting bolts (not included).

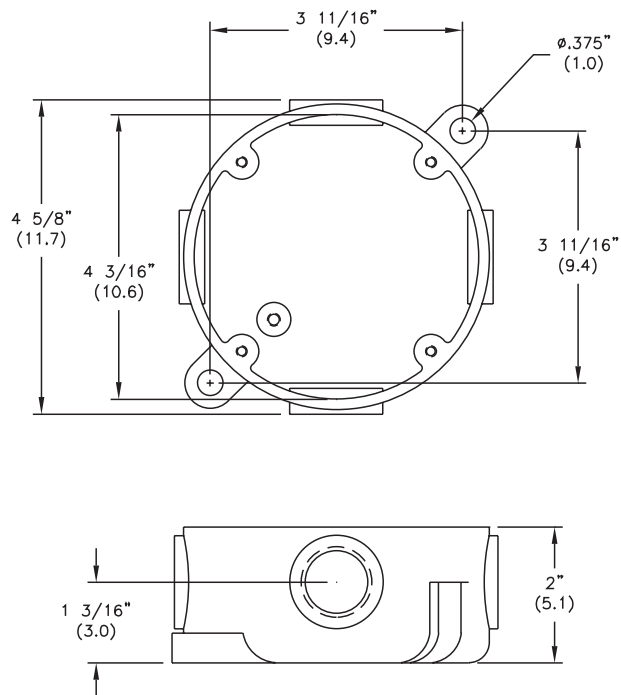
ORDERING REFERENCES



SPARE PARTS

Part No.	Description	Lbs	Kg
JUS-NBC	Blank Cover	0.50	0.23
JUS-G	Gasket	0.10	0.05

DIMENSIONS



Dimensions in inches (cm)

Haz

HazJbx JUS/wd



FEATURES

- Heavy wall construction.
- Choice of covers: flat, deep or pendant.
- Factory or field installation of terminal block.
- Field drilling and tapping.
- Rear NPT entry available.
- Two heavy duty mounting pads.
- Grounding lug with cast in slots for wire retention.
- Silicone gasket provides a watertight seal.
- Raised hub height allows for easy installation of cable glands.



CHS Controls AB
Tel +46 42 38 61 00, Fax +46 42 38 61 29
chs@chscontrols.se www.chscontrols.se

APPLICATIONS

- Hazardous locations
- Grain & sugar milling processing & storage
- Petrochemical facilities
- Marine and watertight requirements
- Oil and gas exploration and production
- Waste water treatment plants
- Pipeline compressor / pumping & storage
- Food & beverage processing facilities
- Coal processing & storage
- Munitions manufacturing & storage

APPROVALS

- Class I Division 2 Groups A, B, C & D
- Class I Zone 2 Groups IIA, IIB & IIC
- Class II Divisions 1 & 2 Groups E, F & G
- Class III
- Type 4
- Conforms to IP66
- ABS

STANDARDS

- UL 1604 - Electrical Equipment for Class I & II Division 2 & Class III
- UL 1203 - Explosive And Dust Ignition Proof
- CSA Class 4418 02
- CSA Class 4418 82

TECHNICAL SPECIFICATIONS

BOX/COVER

Cast copper free aluminum.

HARDWARE

Stainless steel.

GASKET

One piece silicone.

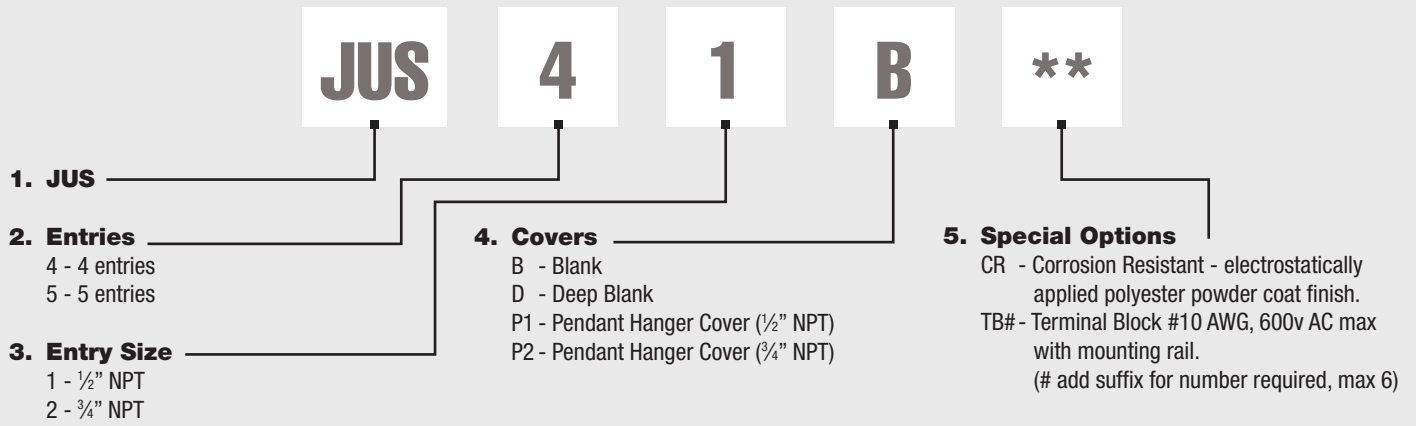
ENTRIES

See ORDERING REFERENCES.

MOUNTING

Surface via two maximum 1/4" mounting bolts (not included).

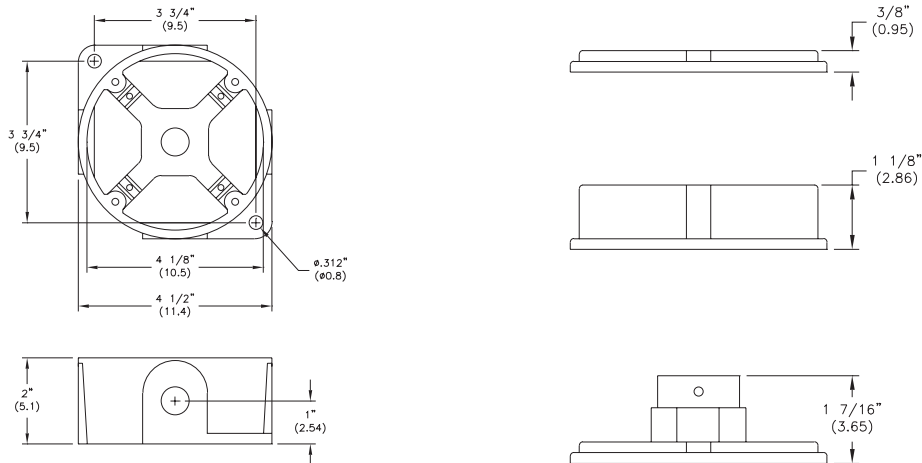
ORDERING REFERENCES



SPARE PARTS

Part No.	Description	Lbs	Kg
JUS-BC	Blank Cover	0.50	0.23
JUS-DC	Deep Blank Cover	0.75	0.34
JUS-HC12	Pendant Hanger Cover, 1/2" NPT	0.68	0.31
JUS-HC34	Pendant Hanger Cover, 3/4" NPT	0.68	0.31

DIMENSIONS



Dimensions in inches (cm)

Haz

HazJbx HFS/wd



FEATURES

- Heavy wall construction.
- Field installation of terminal block.
- Field drilling and tapping.
- Rear NPT entry available.
- Two heavy duty mounting pads.
- Grounding lug with cast in slots for wire retention.
- Neoprene gasket resists petroleum and provides a watertight seal.
- Raised hub height allows for easy installation of cable glands.



CHS Controls AB
Tel +46 42 38 61 00, Fax +46 42 38 61 29
chs@chscontrols.se www.chscontrols.se

APPLICATIONS

- Hazardous locations
- Grain & sugar milling processing & storage
- Petrochemical facilities
- Marine and watertight requirements
- Oil and gas exploration and production
- Waste water treatment plants
- Pipeline compressor / pumping & storage
- Food & beverage processing facilities
- Coal processing & storage
- Munitions manufacturing & storage

APPROVALS

- Class I Division 2 Groups A, B, C, & D
- Class I Zone 2 Groups IIA, IIB & IIC
- Class II Divisions 1 & 2 Groups E, F & G
- Class III
- Type 4
- Conforms to IP66
- ABS

STANDARDS

- UL 1604 - Electrical Equipment for Class I & II Division 2 & Class III
- UL 1203 - Explosive And Dust Ignition Proof
- CSA Class 4418 02
- CSA Class 4418 82

TECHNICAL SPECIFICATIONS

BOX/COVER

Cast copper free aluminum.

HARDWARE

Stainless steel.

GASKET

One piece neoprene.

ENTRIES

See ORDERING REFERENCES.

MOUNTING

Surface via two maximum 1/4" mounting bolts (not included).

ORDERING REFERENCES

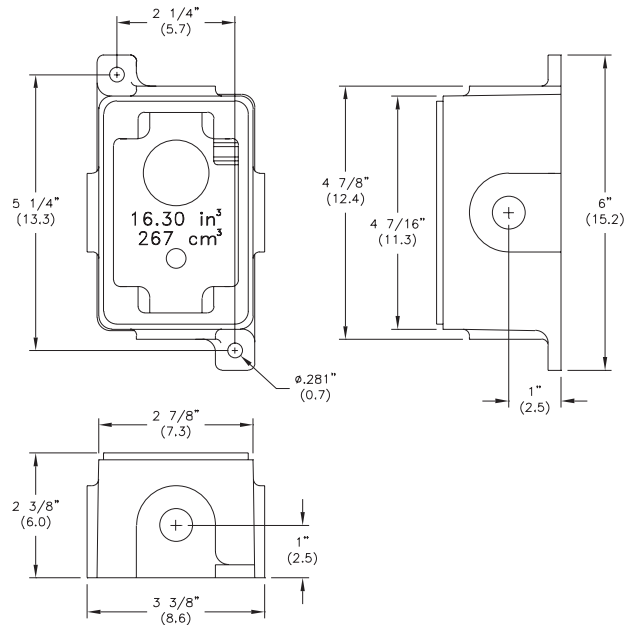
PART NUMBER	ENTRY SIZE	ENTRY LOCATION	WEIGHT	
			LBS	KG
HFSC-1BC	1/2"	Through-feed	1.75	0.79
HFSC-2BC	3/4"	Through-feed	1.75	0.79
HFSC-1BC	1/2"	Tee	1.75	0.79
HFSC-2BC	3/4"	Tee	1.75	0.79
HFSX-1BC	1/2"	4 Way	1.75	0.79
HFSX-2BC	3/4"	4 Way	1.75	0.79

Note: Consult factory for other Entry Options.

SPARE PARTS

Part No.	Description
HFSBC	Blank Cover With Gasket & Screws
FSRG	Box Cover Gasket

DIMENSIONS



Dimensions in inches (cm)

XPF

XPFJbx EPJ505/wd



FEATURES

- For locations where flammable gases are usually present.
- Hub sizes in $\frac{1}{2}$ " , $\frac{3}{4}$ " or 1" NPT.
- Choice of one, two, three or four entries.
- Tool less entry via hand tabs or tooled via breaker bar.
- Internal grounding lug with cup washer for stranded wiring.
- Four heavy duty mounting pads.
- Neoprene gasket resists petroleum and provides a watertight seal.
- Optional 4 pole terminal block for up to #10 AWG.
- Cover provided.



CHS Controls AB
Tel +46 42 38 61 00, Fax +46 42 38 61 29
chs@chscontrols.se www.chscontrols.se

APPLICATIONS

- Class I & II Division 1 explosive atmospheres
- Splice box or pull box
- Equipment and device enclosure
- Marine and watertight requirements
- Oil and gas exploration and production
- Petrochemical facilities
- Aircraft fueling and maintenance areas
- Fuel dispensing facilities
- Paint & formulation facilities
- Pipeline compressor / pumping & storage
- Alcohol formulation, blending & storage

APPROVALS

- Class I Divisions 1 & 2 Groups C & D
- Class II Divisions 1 & 2 Groups E, F & G
- Type 4X
- Conforms to IP66
- ABS

STANDARD

- UL 886 - Outlet Boxes F/Hazardous Locations

TECHNICAL SPECIFICATIONS

BOX/COVER

Cast copper free aluminum. 15.4 internal cubic inches.

GASKET

One piece neoprene.

ENTRIES

One, two, three or four outlets, available in $\frac{1}{2}$ " , $\frac{3}{4}$ " or 1" NPT.

TERMINAL BLOCK

(wire binding screw type)

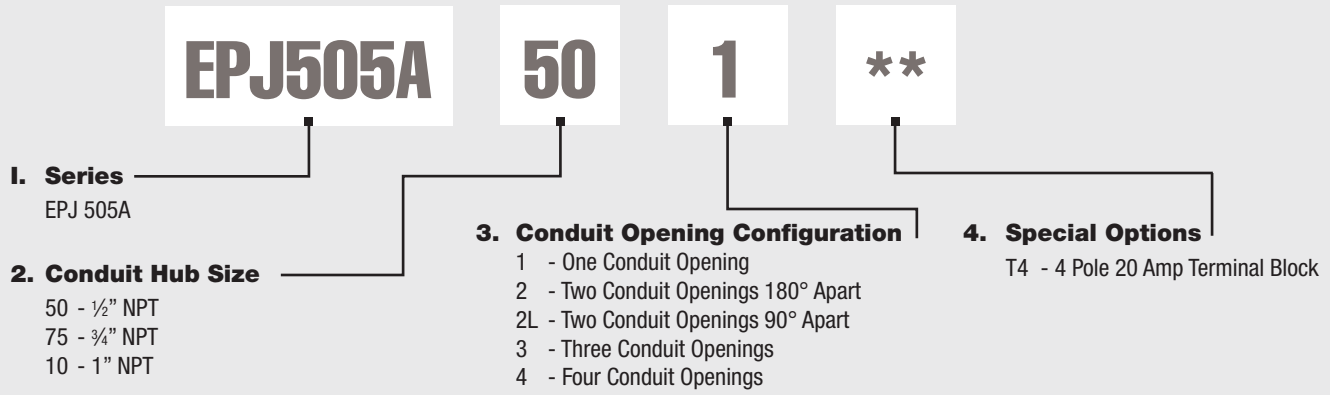
20 Amp, four pole, #12 through #22 AWG

30 Amp, four pole, #10 AWG using lugs

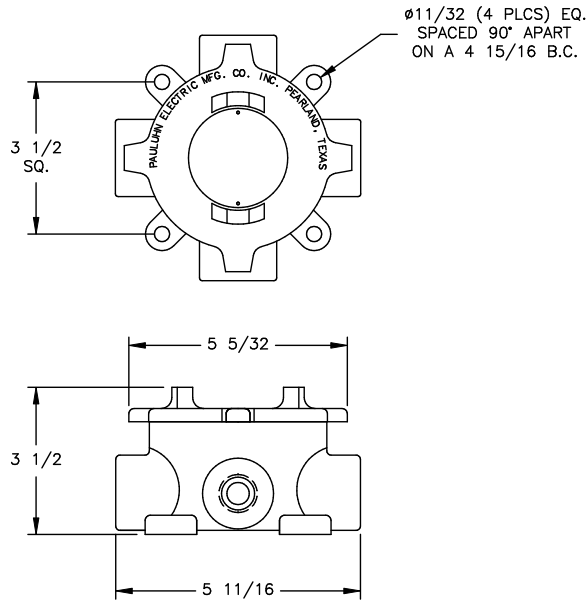
MOUNTING

Surface, via four maximum $\frac{5}{16}$ " mounting bolts (not included).

ORDERING REFERENCES



DIMENSIONS



Dimensions in inches

NOTES

MARINE WIRING DEVICES

NEMA Straight Blade Type

ProConnect Plug & Receptacles

26/mw - Pg. 414



26B/mw - Pg. 418



25B/mw - Pg. 422



25/mw - Pg. 424



27R/mw - Pg. 426



24/mw - Pg. 432



Pro

ProConnect 26/mw



FEATURES

- Water shedding inverted mounting style.
- Suitable for horizontal wall mount.
- Watertight straight blade ANSI NEMA type receptacle.
- Accepts standard ANSI NEMA type plugs.
- Optional double pole rotary switch combinations.
- Available mating metal or nylon plugs with integral threaded ring maintain a watertight seal.
- Neoprene gasket resist petroleum.
- Cast marine brass or copper free aluminum construction available.
- Captive threaded receptacle cap.
- Heavy duty mounting pads.
- Silicone lubricant provided for cover screws and flange.
- Available in 125v AC and 250v AC.
- Receptacles will accept 15 or 20 Amp plugs.



CHS Controls AB
Tel +46 42 38 61 00, Fax +46 42 38 61 29
chs@chscontrols.se www.chscontrols.se

APPLICATIONS

- Marine and watertight requirements

APPROVALS

- Conforms to IP66
- ABS

TECHNICAL SPECIFICATION

BOX/COVER

Cast marine brass or copper free aluminum.

CAPS/RING

Marine brass or zinc plated brass.

HARDWARE

Stainless steel.

GASKET

One piece neoprene.

ENTRIES

Standard units undrilled. Up to 3/4" NPT through feed available. See ENTRY OPTIONS for selections.

VOLTAGE AND CURRENT RECEPTACLE

15/20 Amp 125v AC ANSI NEMA 5-15/20R

15/20 Amp 250v AC ANSI NEMA 6-15/20R

VOLTAGE AND CURRENT SWITCH

20 Amp 120/240v AC

1 HP at 120v AC or 2 HP at 240v AC

VOLTAGE AND CURRENT PLUG

15 Amp 125v AC ANSI NEMA 5-15P

20 Amp 125v AC ANSI NEMA 5-20P

15 Amp 250v AC ANSI NEMA 6-15P

20 AMP 250v AC ANSI NEMA 6-20P

PLUG BODY

A Series: Zinc plated brass with a PBT enclosure

B Series: Brass with a PBT enclosure

MOUNTING

See DIMENSIONS for details.

ORDERING REFERENCES

PART NUMBER	DESCRIPTION	WEIGHT LBS
2632BU-125	MARINE BRASS / SURFACE MOUNT, One Receptacle	2.75
2634BU-125	MARINE BRASS / SURFACE MOUNT, Two Receptacles	4.75
2636BU-125	MARINE BRASS / SURFACE MOUNT, Three Receptacles	6.50
2640BU-125	MARINE BRASS / SURFACE MOUNT, One Receptacle with Switch	4.75
2634BUF-125	MARINE BRASS / FLUSH MOUNT, Two Receptacles	5.75
2640BUF-125	MARINE BRASS / FLUSH MOUNT, One Receptacle with Switch	5.50
2632AU-125	ALUMINUM / SURFACE MOUNT, One Receptacle	1.0
2634AU-125	ALUMINUM / SURFACE MOUNT, Two Receptacles	2.1
2603BU-125	PLUG, 15 Amp Marine Brass	0.8
2606BU-125	PLUG, 20 Amp Marine Brass	0.8
2603AU-125	PLUG, 15 Amp Aluminum	0.8
2606AU-125	PLUG, 20 Amp Aluminum	0.8

SPECIAL OPTIONS

-250* - 250v AC

*Replace -125 part number.

ENTRY OPTIONS

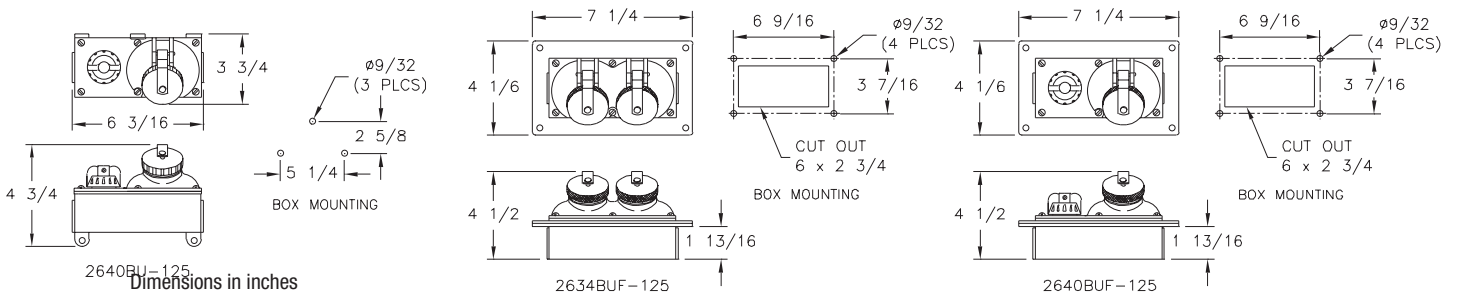
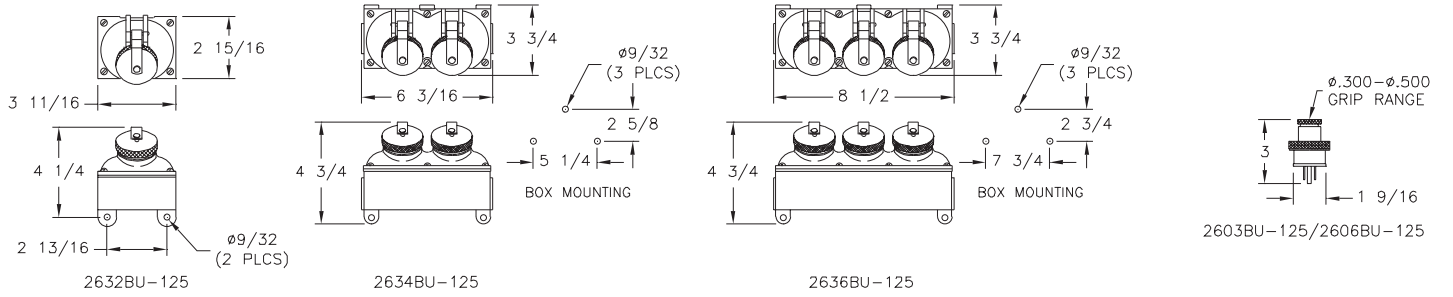
NPT Trade Size	Dead End	Thru Feed
1/2"	E1	C1
3/4"	E2	C2

SPARE PARTS

Part No.	Description
INX6532B	COVER, MARINE BRASS, One Receptacle
INX6533B	COVER, MARINE BRASS, Two Receptacles
INX6534B	COVER, MARINE BRASS, Three Receptacles
INX6535B	COVER, MARINE BRASS, One Receptacle with Switch
INX6532A	COVER, ALUMINUM, One Receptacle
INX6533A	COVER, ALUMINUM, Two Receptacles
INX6015B	SURFACE MOUNT BOX, MARINE BRASS, One Receptacle
INX6016B	SURFACE MOUNT BOX, MARINE BRASS, Two Receptacles or One with Switch
INX6015A	SURFACE MOUNT BOX, ALUMINUM, One Receptacle
INX6016A	SURFACE MOUNT BOX, ALUMINUM, Two Receptacles or One with Switch
INX6017B	SURFACE MOUNT BOX, MARINE BRASS, Three Receptacles
INX6018A	FLUSH MOUNT BOX, ALUMINUM, One Receptacle
INX6019A	SURFACE MOUNT BOX, ALUMINUM, Two Receptacles or One with Switch
INX3181	RECEPTACLE, 20 Amp 125v
INX3182	RECEPTACLE, 20 Amp 250v
INX8004B	CAP, MARINE BRASS
INX8004A	CAP, ALUMINUM
INX8002B	KNOB SHAFT ASSEMBLY, MARINE BRASS
INX3396	PLUG INTERIOR, 15 AMP 125v
INX3397	PLUG INTERIOR, 15 AMP 250v
INX3398	PLUG INTERIOR, 20 AMP 125v
INX3399	PLUG INTERIOR, 20 AMP 250v
GKT5002	COVER GASKET, One Receptacle
GKT6007	COVER GASKET, Two Receptacles or One with Switch
GKT5022	COVER GASKET, Three Receptacles
GKT5029	FLUSH MOUNT BOX, FLANGE GASKET, One Receptacle
GKT5030	FLUSH MOUNT BOX, FLANGE GASKET, Two Receptacles or One with Switch
INX3192	SWITCH

ProConnect **26**/mw

DIMENSIONS

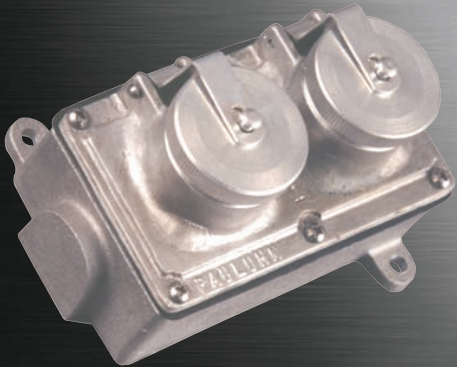


Dimensions in inches

NOTES

Pro

ProConnect 26B/mw



FEATURES

- Extended cover provides additional wiring capacity.
- Wall or surface mount.
- Watertight straight blade ANSI NEMA type receptacle.
- Accepts standard ANSI NEMA type plugs.
- Optional double pole rotary switch combinations.
- Available mating metal or nylon plugs with integral threaded ring maintain a watertight seal.
- Neoprene gasket resists petroleum.
- Cast marine brass or copper free aluminum construction available.
- Captive threaded receptacle cap.
- Heavy duty mounting pads.
- Silicone lubricant provided for cover screws and flange.
- Available in 125v AC and 250v AC.
- Receptacles will accept 15 or 20 Amp plugs.



CHS Controls AB
Tel +46 42 38 61 00, Fax +46 42 38 61 29
chs@chscontrols.se www.chscontrols.se

APPLICATIONS

- Marine and watertight requirements

APPROVALS

- Conforms to IP66
- ABS

TECHNICAL SPECIFICATION

BOX/COVER

Cast marine brass or copper free aluminum.

CAPS/RING

Marine brass or zinc plated brass.

HARDWARE

Stainless steel.

GASKET

One piece neoprene.

ENTRIES

Standard units undrilled. Up to 3/4" NPT through feed available. See ENTRY OPTIONS for selections.

VOLTAGE AND CURRENT RECEPTACLE

15/20 Amp 125v AC ANSI NEMA 5-15/20R

15/20 Amp 250v AC ANSI NEMA 6-15/20R

VOLTAGE AND CURRENT SWITCH

20 Amp 120/240v AC

1 HP at 120v AC or 2 HP at 240v AC

VOLTAGE AND CURRENT PLUG

15 Amp 125v AC ANSI NEMA 5-15P

20 Amp 125v AC ANSI NEMA 5-20P

15 Amp 250v AC ANSI NEMA 6-15P

20 AMP 250v AC ANSI NEMA 6-20P

PLUG BODY

A Series: Zinc plated brass with a PBT enclosure

B Series: Brass with a PBT enclosure.

MOUNTING

See DIMENSIONS for details.

ORDERING REFERENCES

PART NUMBER	DESCRIPTION	WEIGHT LBS
2613BU-125	MARINE BRASS / SURFACE MOUNT, One Receptacle	4.0
2614BU-125	MARINE BRASS / SURFACE MOUNT, Two Receptacles	5.5
2620BU-125	MARINE BRASS / SURFACE MOUNT, One Receptacle with Switch	5.5
2613BUF-125	MARINE BRASS / FLUSH MOUNT, One Receptacle	4.5
2614BUF-125	MARINE BRASS / FLUSH MOUNT, Two Receptacles	6.5
2620BUF-125	MARINE BRASS / FLUSH MOUNT, One Receptacle with Switch	6.5
2614AU-125	ALUMINUM / SURFACE MOUNT, Two Receptacles	2.0
2603BU-125	PLUG, 15 Amp Marine Brass	0.8
2606BU-125	PLUG, 20 Amp Marine Brass	0.8
2603AU-125	PLUG, 15 Amp Aluminum	0.8
2606AU-125	PLUG, 20 Amp Aluminum	0.8

SPECIAL OPTIONS

-250* - 250v AC

*Replace -125 part number.

ENTRY OPTIONS

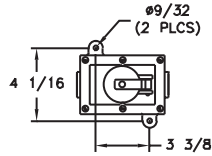
NPT Trade Size	Dead End	Thru Feed
1/2"	E1	C1
3/4"	E2	C2

SPARE PARTS

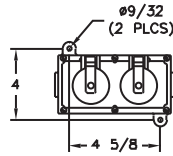
Part No.	Description
INX6538B	COVER, MARINE BRASS, One Receptacle
INX6539B	COVER, MARINE BRASS, Two Receptacles
INX6540B	COVER, MARINE BRASS, Three Receptacles
INX6541B	COVER, MARINE BRASS, One Receptacle with Switch
INX6539A	COVER, ALUMINUM, Two Receptacles
INX6020B	SURFACE MOUNT BOX, MARINE BRASS, One Receptacle
INX6021B	SURFACE MOUNT BOX, MARINE BRASS, Two Receptacles or One with Switch
INX6022B	SURFACE MOUNT BOX, MARINE BRASS, Three Receptacles or Two with Switch
INX6021A	SURFACE MOUNT BOX, ALUMINUM, Two Receptacles or One with Switch
INX6023B	FLUSH MOUNT BOX, MARINE BRASS, One Receptacle
INX6024B	FLUSH MOUNT BOX, MARINE BRASS, Two Receptacles or One with Switch
INX8004B	CAPS, MARINE BRASS
INX8004A	CAPS, ALUMINUM
INX8002B	KNOB SHAFT ASSEMBLY, MARINE BRASS,
INX8002A	KNOB SHAFT ASSEMBLY, ALUMINUM,
INX3396	PLUG INTERIOR, 15 AMP 125v
INX3397	PLUG INTERIOR, 15 AMP 250v
INX3398	PLUG INTERIOR, 20 AMP 125v
INX3399	PLUG INTERIOR, 20 AMP 250v
GKT5007	COVER GASKET, One Receptacle
GKT6006	COVER GASKET, Two Receptacles or One with Switch
GKT5012	COVER GASKET, Three Receptacles or Two with Switch
GKT5046	FLUSH MOUNT BOX, FLANGE GASKET, One Receptacle
GKT5045	FLUSH MOUNT BOX, FLANGE GASKET, Two Receptacles or One with Switch
INX3181	RECEPTACLE, 20 Amp 125v
INX3182	RECEPTACLE, 20 Amp 250v
INX3192	SWITCH

ProConnect **26B**/mw

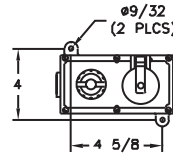
DIMENSIONS



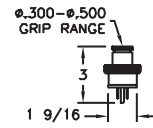
2613BU-125



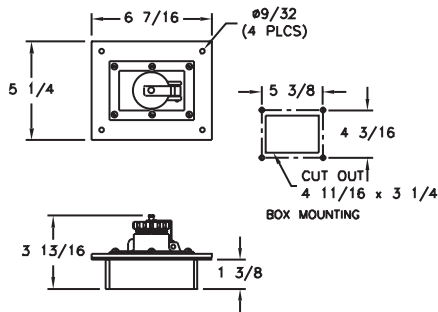
2614BU-125



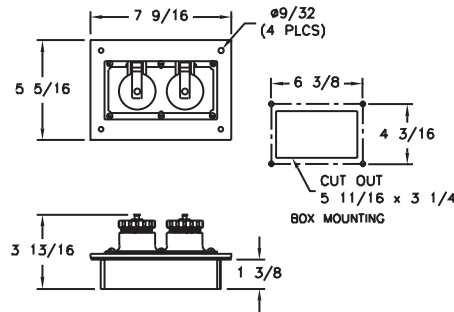
2620BU-125



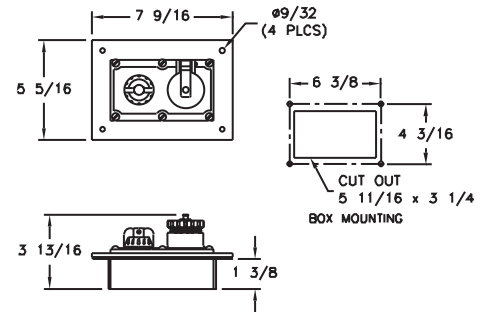
2603BU-125/2606BU-125



2613BUF-125



2614BUF-125



2620BUF-125

Dimensions in inches



NOTES

Pro

ProConnect 25B/mw



FEATURES

- Watertight straight blade ANSI NEMA type receptacle.
- Wall or surface mount.
- Accepts standard ANSI NEMA type plugs.
- Optional double pole rotary switch combinations.
- Available mating metal or nylon plugs with integral threaded ring maintain a watertight seal.
- Neoprene gasket resists petroleum.
- Cast marine brass or copper free aluminum construction available.
- Captive threaded receptacle cap.
- Heavy duty mounting pads.
- Silicone lubricant provided for cover screws and flange.
- Available in 125v AC and 250v AC.
- Receptacles will accept 15 or 20 Amp plugs.



CHS Controls AB
Tel +46 42 38 61 00, Fax +46 42 38 61 29
chs@chscontrols.se www.chscontrols.se

APPLICATIONS

- Marine and watertight requirements

APPROVALS

- Conforms to IP66
- ABS

TECHNICAL SPECIFICATION

BOX/COVER

Cast marine brass or copper free aluminum.

CAPS/RING

Marine brass or zinc plated brass.

HARDWARE

Stainless steel.

GASKET

One piece neoprene.

ENTRIES

Standard units undrilled. Up to 3/4" NPT through feed available. See ENTRY OPTIONS for selections.

VOLTAGE AND CURRENT RECEPTACLE

15/20 Amp 125v AC ANSI NEMA 5-15/20R

15/20 Amp 250v AC ANSI NEMA 6-15/20R

VOLTAGE AND CURRENT SWITCH

20 Amp 120/240v AC

1 HP at 120v AC or 2 HP at 240v AC

VOLTAGE AND CURRENT PLUG

15 Amp 125v AC ANSI NEMA 5-15P

20 Amp 125v AC ANSI NEMA 5-20P

15 Amp 250v AC ANSI NEMA 6-15P

20 Amp 250v AC ANSI NEMA 6-20P

PLUG BODY

A Series: Zinc plated brass with a PBT enclosure

B Series: Brass with a PBT enclosure

N Series: Nylon

MOUNTING

Surface, via two maximum 1/4" mounting bolts (not included).

ORDERING REFERENCES

PART NUMBER	DESCRIPTION	WEIGHT LBS
2583B-125	BRASS, One Receptacle	3.0
2584B-125	BRASS, Two Receptacles	4.0
2587B-125	BRASS, One Receptacle with Switch	4.0
2503B-125	BRASS, 15 Amp Plug	0.8
2506B-125	BRASS, 20 Amp Plug	0.8
2583A-125	ALUMINUM, One Receptacle	1.0
2584A-125	ALUMINUM, Two Receptacles	1.5
2503A-125	ALUMINUM, 15 Amp Plug	0.8
2506A-125	ALUMINUM, 20 Amp Plug	0.8

SPECIAL OPTIONS

-250* - 250v AC

*Replace -125 part number.

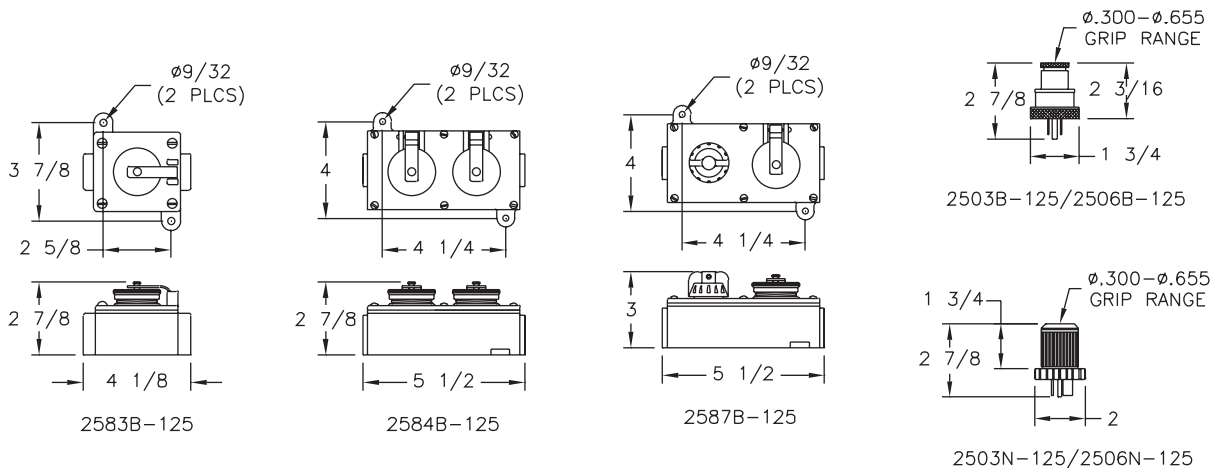
ENTRY OPTIONS

NPT Trade Size	Dead End	Thru Feed
1/2"	E1	C1
3/4"	E2	C2

SPARE PARTS

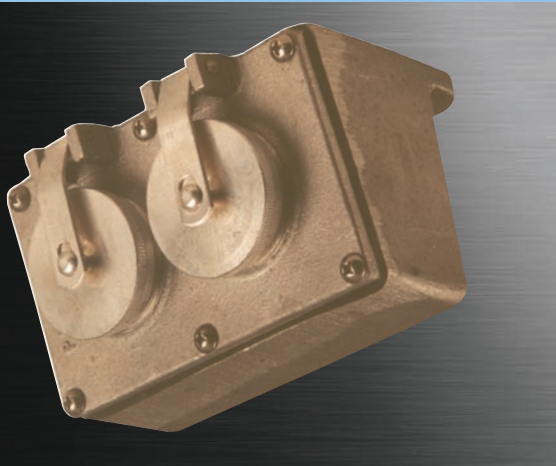
Part No.	Description	Part No.	Description
INX6526B	COVER, One Receptacle, BRASS	GKT4000	GASKET, One Receptacle
INX6526A	COVER, One Receptacle, ALUMINUM	GKT5001	GASKET, Two Receptacles or One with Switch
INX6527B	COVER, Two Receptacles, BRASS	INX3192	SWITCH
INX6527A	COVER, Two Receptacles, ALUMINUM	INX3396	INTERIOR, 15 AMP, Metal Plug 125V
INX6529B	COVER, One Receptacle with Switch, BRASS	INX3397	INTERIOR, 15 AMP, Metal Plug 250V
INX6002B	BOX, One Receptacle, BRASS	INX3398	INTERIOR, 20 AMP, Metal Plug 125V
INX6002A	BOX, One Receptacle, ALUMINUM	INX3399	INTERIOR, 20 AMP, Metal Plug 250V
INX6003B	BOX, Two Receptacles or One with Switch, BRASS	2506NR-125	INTERIOR, 20 AMP, Nylon Plug 125V
INX6003A	BOX, Two Receptacles or One with Switch, ALUMINUM	2506NR-250	INTERIOR, 20 AMP, Nylon Plug 250V
INX8002B	KNOB AND SHAFT ASSEMBLY, BRASS	INX3181	INTERIOR, Receptacle 125V
INX8002A	KNOB AND SHAFT ASSEMBLY, ALUMINUM	INX3182	INTERIOR, Receptacle 250V
INX8008B	CAPS, BRASS		
INX8008A	CAPS, ALUMINUM		

DIMENSIONS



Pro

ProConnect 25/mw



FEATURES

- Watertight straight blade ANSI NEMA type receptacle.
- Water shedding wall mount design.
- Accepts standard ANSI NEMA type plugs.
- Optional double pole rotary switch combinations.
- Available mating metal or nylon plugs with integral threaded ring maintain a watertight seal.
- Cast marine brass or copper free aluminum construction available.
- Captive threaded receptacle cap.
- Neoprene gasket resists petroleum.
- Heavy duty mounting pads.
- Silicone lubricant provided for cover screws and flange.
- Available in 125v AC and 250v AC.
- Receptacles will accept 15 or 20 Amp plugs.



CHS Controls AB
Tel +46 42 38 61 00, Fax +46 42 38 61 29
chs@chscontrols.se www.chscontrols.se

APPLICATIONS

- Marine and watertight requirements

APPROVALS

- Conforms to IP66
- ABS

TECHNICAL SPECIFICATION

BOX/COVER

Cast marine brass or copper free aluminum.

CAPS/RING

Marine brass or zinc plated brass.

HARDWARE

Stainless steel.

GASKET

One piece neoprene.

ENTRIES

Standard units undrilled. Up to 3/4" NPT through feed available. See ENTRY OPTIONS for selections.

VOLTAGE AND CURRENT

RECEPTACLE

15/20 Amp 125v AC ANSI NEMA 5-15/20R

15/20 Amp 250v AC ANSI NEMA 6-15/20R

VOLTAGE AND CURRENT

SWITCH

20 Amp 120/240v AC

1 HP at 120v AC or 2 HP at 240v AC

VOLTAGE AND CURRENT

PLUG

15 Amp 125v AC ANSI NEMA 5-15P

20 Amp 125v AC ANSI NEMA 5-20P

15 Amp 250v AC ANSI NEMA 6-15P

20 AMP 250v AC ANSI NEMA 6-20P

PLUG BODY

A Series: Zinc plated brass with a PBT enclosure

B Series: Brass with a PBT enclosure

N Series: Nylon

MOUNTING

Surface, via two maximum 1/4" mounting bolts (not included).

ORDERING REFERENCES

PART NUMBER	DESCRIPTION	WEIGHT LBS
2590B-125	BRASS, One Receptacle	3.0
2592B-125	BRASS, Two Receptacles	5.0
2597B-125	BRASS, One Receptacle with Switch	4.0
2503B-125	BRASS, 15 Amp Plug	0.8
2506B-125	BRASS, 20 Amp Plug	0.8
2590A-125	ALUMINUM, One Receptacle	1.0
2592A-125	ALUMINUM, Two Receptacles	1.8
2503A-125	ALUMINUM, 15 Amp Plug	0.8
2506A-125	ALUMINUM, 20 Amp Plug	0.8
2503N-125	NYLON, 15 Amp Plug	0.5
2506N-125	NYLON, 20 Amp Plug	0.5

SPECIAL OPTIONS

-250* - 250v AC

*Replace -125 part number.

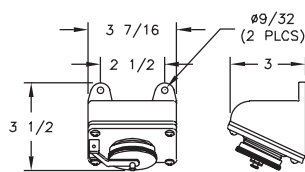
ENTRY OPTIONS

NPT Trade Size	Dead End	Thru Feed
1/2"	E1	C1
3/4"	E2	C2

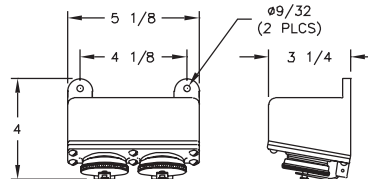
SPARE PARTS

Part No.	Description
INX6526B	COVER, One Receptacle, BRASS
INX6526A	COVER, One Receptacle, ALUMINUM
INX6527B	COVER, Two Receptacles, BRASS
INX6527A	COVER, Two Receptacles, ALUMINUM
INX6529B	COVER, One Receptacle with Switch, BRASS
INX6011B	BOX, One Receptacle, BRASS
INX6011A	BOX, One Receptacle, ALUMINUM
INX6012B	BOX, Two Receptacles or One with Switch, BRASS
INX6012A	BOX, Two Receptacles or One with Switch, ALUMINUM
INX8002B	KNOB AND SHAFT ASSEMBLY, BRASS
INX8002A	KNOB AND SHAFT ASSEMBLY, ALUMINUM
INX8008B	CAP, BRASS
INX8008A	CAP, ALUMINUM
GKT4000	GASKET, One Receptacle
GKT5001	GASKET, Two Receptacles or One with Switch
INX3192	SWITCH
INX3396	INTERIOR, 15 AMP, Metal Plug 125V
INX3397	INTERIOR, 15 AMP, Metal Plug 250V
2503NR-125	INTERIOR, 15 AMP, Nylon Plug 125V
2503NR-250	INTERIOR, 15 AMP, Nylon Plug 250V
INX3398	INTERIOR, 20 AMP, Metal Plug 125V
INX3399	INTERIOR, 20 AMP, Metal Plug 250V
2506NR-125	INTERIOR, 20 AMP, Nylon Plug 125V
2506NR-250	INTERIOR, 20 AMP, Nylon Plug 250v
INX3181	INTERIOR, Receptacle 125V
INX3182	INTERIOR, Receptacle 250V

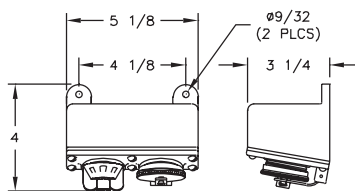
DIMENSIONS



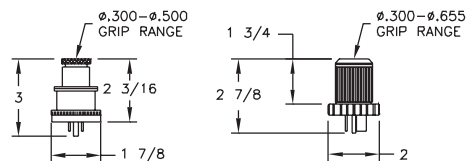
2590B/A-125



2592B/A-125



2597B/A-125



2503B/A-125
2506B/A-125

2503N-125/2506N-125

Dimensions in inches

Pro

ProConnect 27R/mw



FEATURES

- Straight blade ANSI NEMA type receptacles.
- Available in 125v AC and 250v AC.
- Receptacles will accept 15 Amp or 20 Amp plugs.
- Choice of corrosion resistant enclosures in cast marine brass, copper free aluminum or non-metallic.
- Flush mount and GFCI versions available.
- Square, round or semi-oval face receptacles available.



CHS Controls AB
Tel +46 42 38 61 00, Fax +46 42 38 61 29
chs@chscontrols.se www.chscontrols.se

APPLICATIONS

- Marine interior

APPROVALS

- Conforms to IP20
- ABS

TECHNICAL SPECIFICATIONS

BOX/COVER

Box	Cover
Marine brass	Marine brass
Copper free aluminum	Stainless steel
Non-metallic	Non-metallic

ENTRIES

Standard units undrilled. Up to 3/4" NPT through feed available. See ENTRY OPTIONS for selections.

VOLTAGE AND CURRENT

RECEPTACLE

15/20 Amp 125v AC ANSI NEMA 5-15/20R
15/20 Amp 250v AC ANSI NEMA 6-15/20R

VOLTAGE AND CURRENT

SWITCH

15 Amp 277v AC max
20 Amp 277v AC max
30 Amp 250v AC max

MOUNTING

Surface, via 2 maximum #10 mounting bolts (not included).

ORDERING REFERENCES

PART NUMBER	DESCRIPTION	WEIGHT LBS
2700B	MARINE BRASS, Blank Cover with Box	1.8
2704B-125	MARINE BRASS, One Rectangular Face Single Receptacle	2.0
2705B-125	MARINE BRASS, One Rectangular Face Double Receptacle	2.0
2753B-125	MARINE BRASS, One Round Face Single Receptacle	2.0
2754B-125	MARINE BRASS, Two Semi-Oval Face Receptacle	2.0
2700A	ALUMINUM, Blank Cover with Box	0.8
2704A-125	ALUMINUM, One Rectangular Face Single Receptacle	0.9
2705A-125	ALUMINUM, One Rectangular Face Double Receptacle	0.9
2753A-125	ALUMINUM, One Round Face Single Receptacle	0.9
2754A-125	ALUMINUM, Two Semi-Oval Face Receptacle	0.9
2704PL-125	NON-METALLIC, One Rectangular Face Single Receptacle	0.7
2705PL-125	NON-METALLIC, One Rectangular Face Double Receptacle	0.7
2753PL-125	NON-METALLIC, One Round Face Single Receptacle	0.7
2754PL-125	NON-METALLIC, Two Semi-Oval Face Receptacle	0.7

SPECIAL OPTIONS

- GF* - 120v Ground Fault Circuit Interrupter
- F - Flush Mount Unit
- 250 - 20A 250v AC

*For double receptacle 120v only, no -250 option.

ENTRY OPTIONS

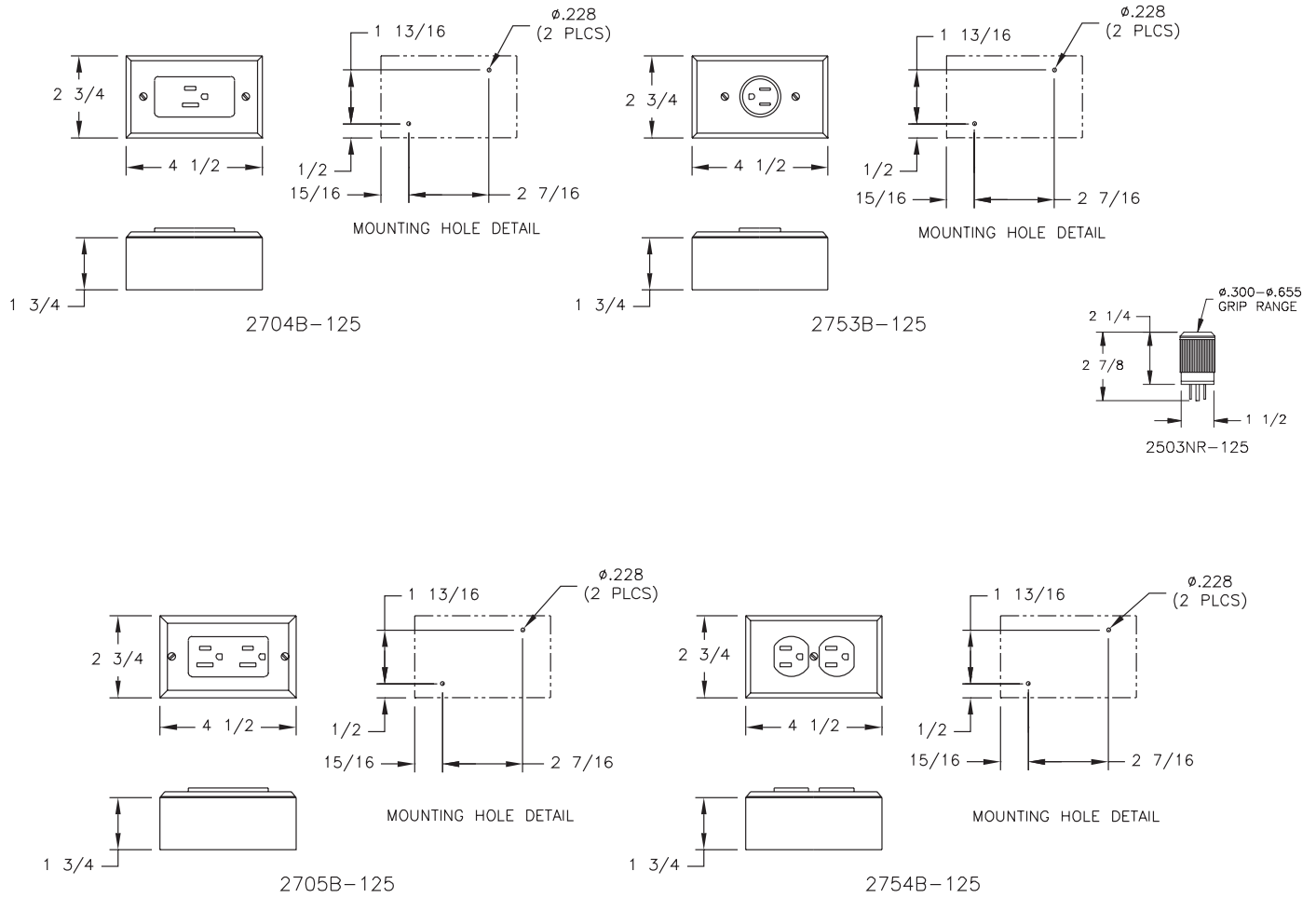
NPT Trade Size	Dead End	Thru Feed
1/2"	E1	C1
3/4"	E2	C2

SPARE PARTS

Part No.	Description
INX6559B/A/PL	COVER, BRASS (B), ALUMINUM (A) OR NON-METALLIC (PL), One Square Face Single or Double Receptacle
INX6684B/A/PL	COVER, BRASS (B), ALUMINUM (A) OR NON-METALLIC (PL), One Round Face Receptacle
INX6685B/A/PL	COVER, BRASS (B), ALUMINUM (A) OR NON-METALLIC (PL), Two Semi-Oval Receptacles
INX6032B/A	COVER, BRASS (B), ALUMINUM (A) OR NON-METALLIC (PL), Blank Cover
INX6560B/A/PL	FLUSH COVER, BRASS (B), ALUMINUM (A) OR NON-METALLIC (PL), One Square Face Single or Double Receptacle
INX6688B/A/PL	FLUSH COVER, BRASS (B), ALUMINUM (A) OR NON-METALLIC (PL), One Round Face Receptacle
INX6689B/A/PL	FLUSH COVER, BRASS (B), ALUMINUM (A) OR NON-METALLIC (PL), Two Semi-Oval Receptacles
INX6033B	BOX, BRASS
INX6033A	BOX, ALUMINUM
INX6033PL	BOX, NON-METALLIC
INX3277	RECEPTACLE, 20A 125v, One Square Face Receptacle
INX3130	RECEPTACLE, 20A 125v, One Square Face Double Receptacle
INX3171	RECEPTACLE, 20A 125v, One Round Face Receptacle
INX3329	RECEPTACLE, 20A 125v, One Square Face GFCI Double Receptacle
INX3164	RECEPTACLE, 20A 125v, Two Semi-Oval Face Receptacles
INX3278	RECEPTACLE, 20A 250v, One Square Face Receptacle
INX3131	RECEPTACLE, 20A 250v, One Square Face Double Receptacle
INX3172	RECEPTACLE, 20A 250v, One Round Face Receptacle
N/A	RECEPTACLE, 20A 250v, One Square Face GFCI Double Receptacle
INX3165	RECEPTACLE, 20A 250v, Two Semi-Oval Face Receptacles
2503NR-125	NYLON PLUG, Plug 5-15P, 15 Amp, 125v AC Max
2506NR-125	NYLON PLUG, Plug 5-20P, 20 Amp, 125v AC Max

ProConnect **27R**/mw

DIMENSIONS



Dimensions in inches



NOTES



NOTES

NOTES

Pro

ProConnect 24/mw



FEATURES

- Weatherproof straight blade ANSI NEMA type receptacles.
- 2405 cover may be locked closed to limit accessibility.
- Heavy duty mounting pads.
- Silicone lubricant provided for cover screws and flange.
- Neoprene gasket resists petroleum.
- Available in 125v AC and 250v AC.
- Horizontal or vertical configurations available.



CHS Controls AB
Tel +46 42 38 61 00, Fax +46 42 38 61 29
chs@chscontrols.se www.chscontrols.se

APPLICATIONS

- Damp or wet locations

APPROVALS

- Conforms to IP52
- ABS

TECHNICAL SPECIFICATIONS

BOX

Cast copper free aluminum.

COVER

Cast aluminum with an electrostatically applied polyester powder coat finish.

HARDWARE

Stainless steel.

GASKET

One piece neoprene.

ENTRIES

Standard units undrilled. Up to four 1" NPT outlets available. See ENTRY OPTIONS for selections.

VOLTAGE

15/20 Amp 125v AC ANSI NEMA 5-15/20R

15/20 Amp 250v AC ANSI NEMA 6-15/20R

MOUNTING

Surface, via two maximum 1/4" mounting bolts (not included).

ORDERING REFERENCES

PART NUMBER	DESCRIPTION	WEIGHT LBS
2405A-125	125V Vertical	1.8
2407A-125	125V Horizontal	1.8
2405A-250	250V Vertical	1.8
2407A-250	250V Horizontal	1.8

SPECIAL OPTIONS

GF - Ground Fault Circuit Interrupter Receptacle
(for 125v AC only)

ENTRY OPTIONS

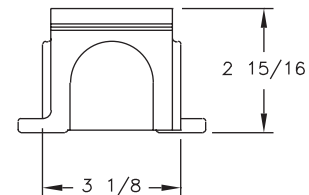
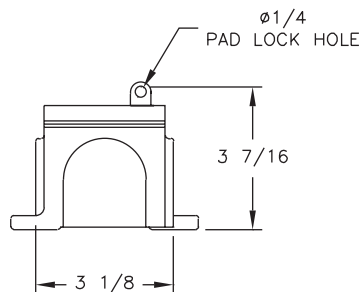
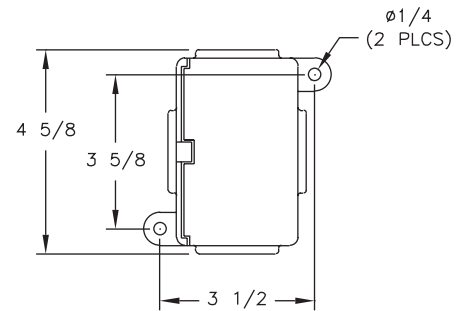
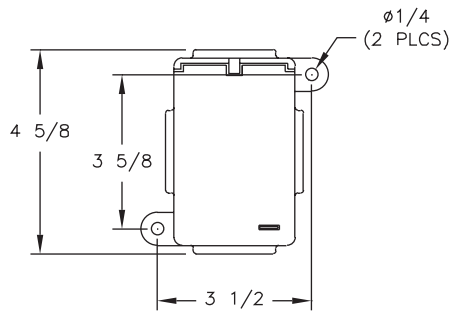
NPT Trade Size	Dead End	Thru Feed	X-Positions
1/2"	E1	C1	X1
3/4"	E2	C2	X2
1"	E3	C3	X3

* Entries on short side of casting.

SPARE PARTS

Part No.	Description
INX6030A-H	BOX
INX3164	RECEPTACLE, 125v
INX3165	RECEPTACLE, 250v
INX6549A	COVER, Vertical
INX6549A-GFI	GFI COVER, Vertical
INX6501A	COVER, Horizontal

DIMENSIONS



Dimensions in inches










2405A-125

2407A-125

NOTES

MARINE WIRING DEVICES

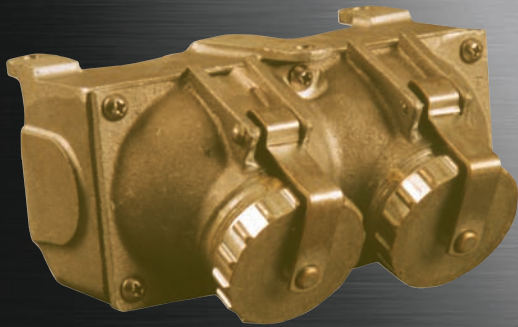
Pin and Sleeve Type

ProConnect-PS Plug & Receptacle	XPFCConnect-PS Explosionproof Plug & Receptacles
263/264/mw - Pg. 436 	EP/EPCS/mw - Pg. 456 
261/262/mw - Pg. 440 	
WELD/mw - Pg. 444 (6000/6583) 	
3100/3101/mw - Pg. 446 	
6000/mw - Pg. 448 	
800/mw - Pg. 450 	
246/247/mw - Pg. 452 	
420FC/PP/PC/mw - Pg. 454 	

(Previous name)

Pro

ProConnect-PS 263/264/mw



FEATURES

- Unique pin and sleeve design prevents accidental mating of non-marine rated devices.
- Available mating metal or non-metallic plugs with integral threaded ring maintain a watertight seal.
- Neoprene gaskets resist petroleum.
- Water shedding inverted mounting style.
- Reverse service feed available.
- Extended cover provides additional wiring capacity.
- Cast marine brass or copper free aluminum construction available.
- Captive threaded receptacle cap.
- Optional double pole rotary switch combinations.
- Heavy duty mounting pads.
- Silicone lubricant provided for cover screws and flange.
- Available in 125v AC up to 600v AC.
- 2P3W or 3P4W units available.
- 125v AC 20 Amp ANSI NEMA adapter plug available.

APPLICATIONS

- Marine and watertight requirements

APPROVALS

- Conforms to IP66
- ABS

TECHNICAL SPECIFICATIONS

BOX/COVER

Cast marine brass or copper free aluminum.

CAP/RING

Marine brass or zinc plated brass.

PLUG BODY/RING

Cast marine brass, zinc plated brass or Acrylonitrile Butadiene Styrene/Polycarbonate blend (ABS+PC).

HARDWARE

Stainless steel.

GASKETS

One piece neoprene.

RECEPTACLE/PLUG INTERIOR

Acrylonitrile Butadiene Styrene/Polycarbonate blend (ABS+PC).

PIN AND SLEEVES

Free machining brass.

ENTRIES

Standard units undrilled. Up to ¼" NPT through feed available. See ENTRY OPTIONS for selections.

VOLTAGE AND CURRENT

RECEPTACLE

125v AC, 20 Amp max
208v AC, 20 Amp max
250v AC, 20 Amp max
277v AC, 20 Amp max
480v AC, 20 Amp max
600v AC, 20 Amp max

VOLTAGE AND CURRENT

SWITCH

20 Amp 120/240v AC
1 HP at 120v AC or 2 HP at 240v AC

MOUNTING

Surface via two/three, or flush via four, ¼" bolts (not included).

ORDERING REFERENCES

PART NUMBER		DESCRIPTION	WEIGHT LBS
TYPE 2P3W	TYPE 3P4W		
2632B-125	2633B-125	BRASS, One Receptacle, Surface Mount	3.2
2634B-125	2635B-125	BRASS, Two Receptacles, Surface Mount	4.9
2636B-125	2637B-125	BRASS, Three Receptacles, Surface Mount	6.7
2640B-125	2641B-125	BRASS, One Receptacle with Double Pole Switch, Surface Mount	4.9
2634BF-125	2635BF-125	BRASS, Two Receptacles, Flush Mount	7.0
2640BF-125	2641BF-125	BRASS, One Receptacle with Double Pole Switch, Flush Mount	7.0
2632A-125	2633A-125	ALUMINUM, One Receptacle, Surface Mount	1.2
2634A-125	2635A-125	ALUMINUM, Two Receptacles, Surface Mount	2.3
420BP-125	420-4BP-125	PLUG, Metal	0.8
420PP-125	420-4PP-125	PLUG, Plastic	0.3

SPECIAL OPTIONS

-208*	- 208V (3P4W only)
-250*	- 250v
-277*	- 277v (2P3W only)
-480*	- 480v
-600*	- 600v (3P4W only)
RS	- Reverse Service (Single gang only)

*Replace -125 in part number.

ENTRY OPTIONS

NPT Trade Size	Dead End	Thru Feed
1/2"	E1	C1
3/4"	E2	C2

SPARE PARTS

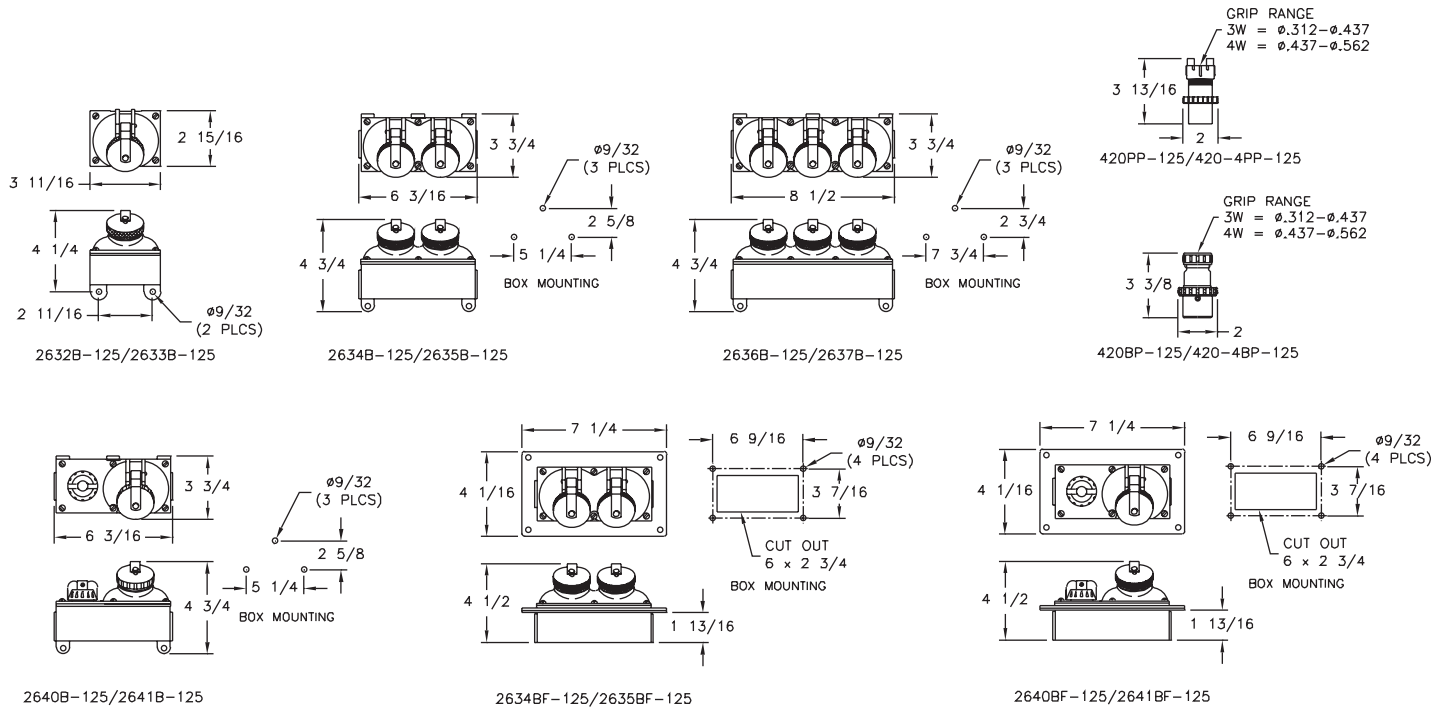
Part No.	Description
INX6532B	COVER, BRASS, One Receptacle
INX6533B	COVER, BRASS, Two Receptacles
INX6534B	COVER, BRASS, Three Receptacles
INX6535B	COVER, BRASS, One Receptacle with Switch
INX6532A	COVER, ALUMINUM, One Receptacle
INX6019B	FLUSH MOUNT BOX, BRASS, Two Receptacles or One with Switch
INX6015B	SURFACE MOUNT BOX, BRASS, One Receptacle
INX6016B	SURFACE MOUNT BOX, BRASS, Two Receptacles or One with Switch
INX6017B	SURFACE MOUNT BOX, BRASS, Three Receptacles
INX6015A	SURFACE MOUNT BOX, ALUMINUM, One Receptacle
INX6016A	SURFACE MOUNT BOX, ALUMINUM, Two Receptacles or One with Switch
INX3242PR-125	RECEPTACLE ADAPTER, 2P3W 125V to 5-20R
INX3242PR-250	RECEPTACLE ADAPTER, 2P3W 125V to 6-20R
GKT5002	COVER GASKET, One Receptacle
GKT6007	COVER GASKET, Two Receptacles or One with Switch
GKT5022	COVER GASKET, Three Receptacles
GKT5029	BOX GASKET, One Receptacle
GKT5030	BOX GASKET, Two Receptacles or One with Switch
INX8002B	KNOB AND SHAFT ASSEMBLY, Brass
INX8004B	CAP WITH GASKET, Brass
INX8004A	CAP WITH GASKET, Aluminum
INX3192	SWITCH
INX3022-125*	INTERIOR, 2P3W, Receptacle
INX3143-125*	INTERIOR, 2P3W, Metal Plug
INX3103-125*	INTERIOR, 2P3W, Plastic Plug
INX3023-125*	INTERIOR, 3P4W, Receptacle
INX3147-125*	INTERIOR, 3P4W, Metal Plug
INX3105-125*	INTERIOR, 3P4W, Plastic Plug

*NOTE

Change "-125" suffix to 208, 250 277, 480 or 600 for voltage needed.

ProConnect-PS 263/264/mw

DIMENSIONS



Dimensions in inches

NOTES

Pro

ProConnect-PS 261/262/mw



FEATURES

- Unique pin and sleeve design prevents accidental mating of non-marine rated devices.
- Available mating metal or non-metallic plugs with integral threaded ring maintain a watertight seal.
- Neoprene gasket resists petroleum.
- Reverse service feed available.
- Extended cover provides additional wiring capacity.
- Cast marine brass or copper free aluminum construction available.
- Captive threaded receptacle cap.
- Optional double pole rotary switch combinations.
- Heavy duty mounting pads.
- Silicone lubricant provided for cover screws and flange.
- Available in 125v AC up to 600v AC.
- 2P3W or 3P4W units available.
- 125v AC 20 Amp ANSI NEMA adapter plug available.

APPLICATIONS

- Marine and watertight requirements

APPROVALS

- Conforms to IP66
- ABS

TECHNICAL SPECIFICATIONS

BOX/COVER

Cast marine brass or copper free aluminum.

CAP/RING

Marine brass or zinc plated brass.

PLUG BODY/RING

Cast marine brass, zinc plated brass or Acrylonitrile Butadiene Styrene/Polycarbonate blend (ABS+PC).

HARDWARE

Stainless steel.

GASKET

One piece neoprene.

RECEPTACLE/PLUG INTERIOR

Acrylonitrile Butadiene Styrene/Polycarbonate blend (ABS+PC).

PIN AND SLEEVE

Free machining brass.

ENTRIES

Standard units undrilled. Up to ¼" NPT through feed available. See ENTRY OPTIONS for selections.

VOLTAGE AND CURRENT

RECEPTACLE

125v AC, 20 Amp max
208v AC, 20 Amp max
250v AC, 20 Amp max
277v AC, 20 Amp max
480v AC, 20 Amp max
600v AC, 20 Amp max

VOLTAGE AND CURRENT

SWITCH

20 Amp 120/240v AC
1 HP at 120v AC or 2 HP at 240v AC

MOUNTING

Surface via two, or flush via four, ¼" bolts (not included).

ORDERING REFERENCES

PART NUMBER		DESCRIPTION	WEIGHT LBS
TYPE 2P3W	TYPE 3P4W		
2613B-125	2615B-125	MARINE BRASS / SURFACE MOUNT, One Receptacle	4.0
2614B-125	2617B-125	MARINE BRASS / SURFACE MOUNT, Two Receptacles	5.5
2620B-125	2623B-125	MARINE BRASS / SURFACE MOUNT, One Receptacle with Switch	5.5
2613BF-125	2615BF-125	MARINE BRASS / FLUSH MOUNT, One Receptacle	4.5
2614BF-125	2617BF-125	MARINE BRASS / FLUSH MOUNT, Two Receptacles	6.5
2620BF-125	2623BF-125	MARINE BRASS / FLUSH MOUNT, One Receptacle with Switch	6.5
2614A-125	2617A-125	ALUMINUM / SURFACE MOUNT, Two Receptacles	2.3
420BP-125	420-4BP-125	PLUG, Metal	0.8
420PP-125	420-4PP-125	PLUG, Plastic	0.3

SPECIAL OPTIONS

-208*	- 208V (3P4W only)
-250*	- 250v
-277*	- 277v (2P3W only)
-480*	- 480v
-600*	- 600v (3P4W only)
RS	- Reverse Service (Single gang only)

*Replace -125 in part number.

ENTRY OPTIONS

NPT Trade Size	Dead End	Thru Feed
1/2"	E1	C1
3/4"	E2	C2

SPARE PARTS

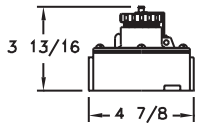
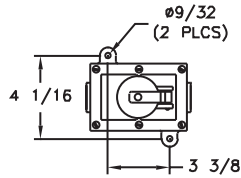
Part No.	Description	Part No.	Description
INX6538B	COVER, MARINE BRASS, One Receptacle	GKT5007	COVER GASKET, One Receptacle
INX6539B	COVER, MARINE BRASS, Two Receptacles	GKT6006	COVER GASKET, Two Receptacles or One with Switch
INX6541B	COVER, MARINE BRASS, One Receptacle with Switch	GKT5046	FLUSH MOUNT FLANGE GASKET, One Receptacle
INX6539A	COVER, ALUMINUM, Two Receptacles	GKT5045	FLUSH MOUNT FLANGE GASKET, Two Receptacles or One with Switch
INX6020B	SURFACE MOUNT BOX, MARINE BRASS, One Receptacle	INX3022-125*	INTERIOR, 2P3W, Receptacle
INX6021B	SURFACE MOUNT BOX, MARINE BRASS, Two Receptacles or One with Switch	INX3023-125*	INTERIOR, 3P4W, Receptacle
INX6021A	SURFACE MOUNT BOX, ALUMINUM, Two Receptacles or One with Switch	INX3143-125*	INTERIOR, 2P3W, Metal Plug
INX6023B	FLUSH MOUNT BOX, MARINE BRASS, One Receptacle	INX3147-125*	INTERIOR, 3P4W, Metal Plug
INX6024B	FLUSH MOUNT BOX, MARINE BRASS, Two Receptacles or One with Switch	INX3103-125*	INTERIOR, 2P3W, Plastic Plug
INX8004B	CAP WITH GASKET, MARINE BRASS	INX3105-125*	INTERIOR, 3P4W, Plastic Plug
INX8004A	CAP WITH GASKET, ALUMINUM	INX3242PR-125	RECEPTACLE ADAPTER, 2P3W 125V to 5-20R
INX8002B	KNOB AND SHAFT ASSEMBLY, MARINE BRASS	INX3242PR-250	RECEPTACLE ADAPTER, 2P3W 125v to 6-20R
		INX3192	SWITCH

*NOTE

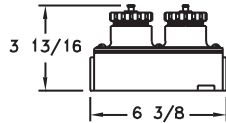
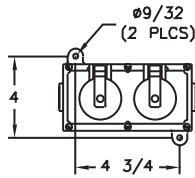
Change "-125" suffix to 208, 250 277, 480 or 600 for voltage needed.

ProConnect-PS 261/262/mw

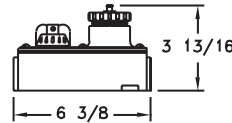
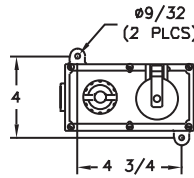
DIMENSIONS



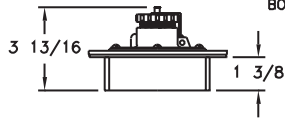
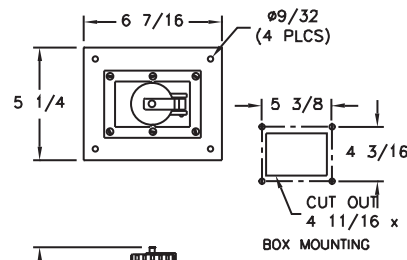
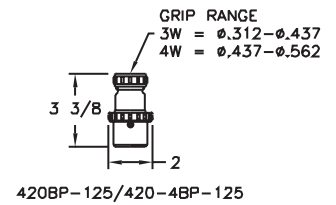
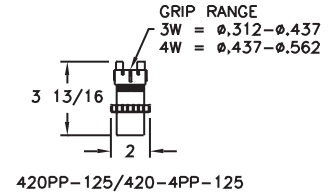
2613B-125/2615B-125



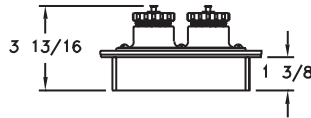
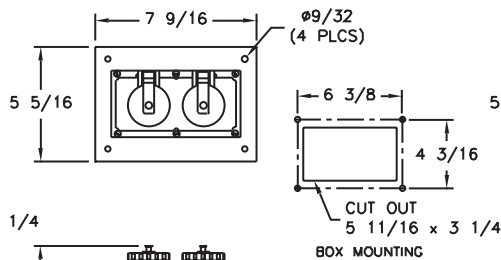
2614B-125/2617B-125



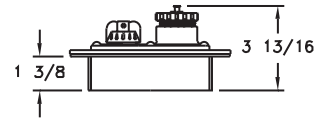
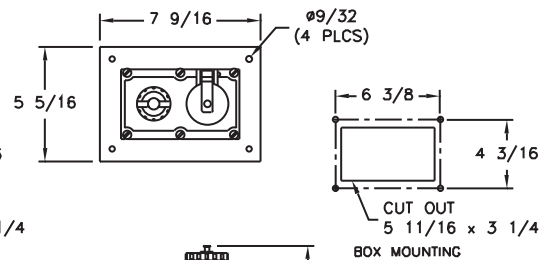
2620B-125/2623B-125



2613BF-125/2615BF-125



2614BF-125/2617BF-125



2620BF-125/2623BF-125

Dimensions in inches

NOTES

Pro

ProConnect-PS Weld/mw



FEATURES

- Unique single pin and sleeve design prevents accidental mating of non-marine rated devices.
- Available mating plug with integral threaded ring maintains a watertight seal.
- Neoprene gaskets resist petroleum.
- Plugs and receptacles are designed for up to a 2/0 or .473 diameter cable at 300 Amp max.
- 250v DC or 600v AC single or double receptacles.
- Cast marine brass construction.
- Impact resistant interior bodies with silver plated contacts.
- Captive threaded receptacle cap.
- Heavy duty mounting pads.
- Silicone lubricant provided for cover screws and flange.



CHS Controls AB
Tel +46 42 38 61 00, Fax +46 42 38 61 29
chs@chscontrols.se www.chscontrols.se

APPLICATIONS

- Remote welding torch lead supply
- Marine and watertight requirements

APPROVALS

- Conforms to IP66
- ABS

TECHNICAL SPECIFICATIONS

BOX/COVER/CAPS

Cast marine brass.

PLUG BODY/RING

Cast marine brass.

PLUG/RECEPTACLE INTERIOR

6/6 nylon.

PLUG/RECEPTACLE CONTACT

Free machining brass, silver plated.

HARDWARE

Stainless steel.

GASKETS

One piece neoprene.

ENTRIES

6000B up to four 1" NPT outlets.
6583B up to four 2" NPT outlets.
Please state requirements on application.

MOUNTING

6000B surface, via two 1/4" bolts (not included).
6583B surface, via four 1/2" bolts (not included).

VOLTAGE AND CURRENT

250v DC, 300 Amp max
600v AC, 300 Amp max

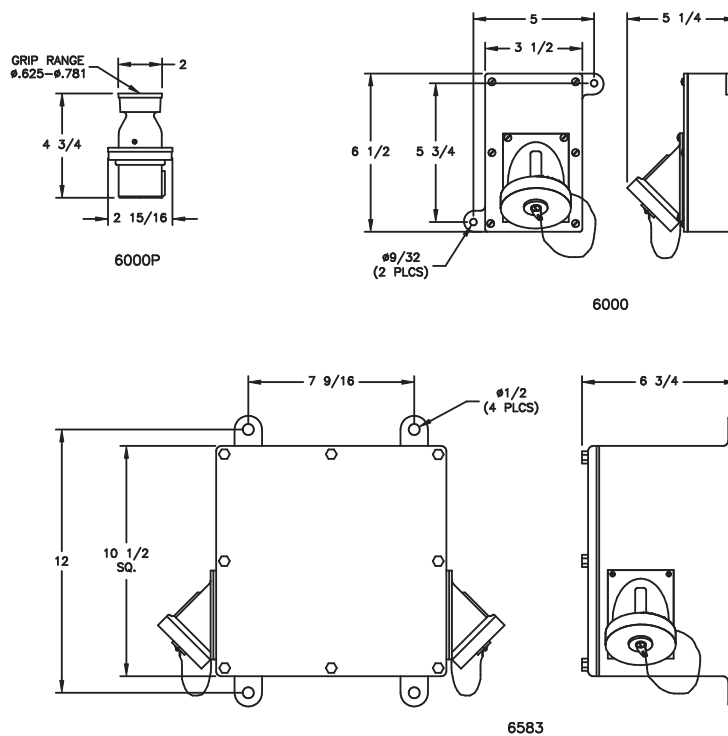
ORDERING REFERENCES

PART NUMBER	DESCRIPTION	WEIGHT LBS
6000B	Single Receptacle	7.5
6583B	Double Receptacle	44.0
6000BP	Plug	2.8

SPARE PARTS

Part No.	Description	Part No.	Description
GKT4005	ANGLE COVER GASKET, Single Receptacle	INX3048	INTERIOR, Plug
GKT4005	ANGLE COVER GASKET, Double Receptacle	GKT5057	BOX COVER GASKET, Single Receptacle
INX8014B	RECEPTACLE CAP WITH GASKET	GKT4003	BOX COVER GASKET, Double Receptacle
INX3047	INTERIOR, Receptacle	INX6565B	PLUG RING WITH GASKET

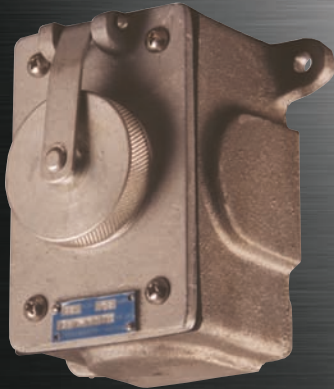
DIMENSIONS



Dimensions in inches

Pro

ProConnect-PS 3100/3101/mw



FEATURES

- Unique pin and sleeve design prevents accidental mating of non-marine rated devices.
- Available mating metal or non-metallic plugs with integral threaded ring maintain a watertight seal.
- Neoprene gaskets resist petroleum.
- Extended back box for additional wiring capacity.
- Reverse service feed available.
- Cast marine brass construction.
- Captive threaded receptacle cap.
- Heavy duty mounting pads.
- Silicone lubricant provided for cover screws and flange.
- Available in 125v AC up to 600v AC.
- 2P3W or 3P4W units available.
- 125v AC 20 Amp ANSI NEMA adapter plug available.



CHS Controls AB
Tel +46 42 38 61 00, Fax +46 42 38 61 29
chs@chscontrols.se www.chscontrols.se

APPLICATIONS

- Marine and watertight requirements

APPROVALS

- Conforms to IP66
- ABS

TECHNICAL SPECIFICATIONS

BOX/COVER

Cast marine brass.

CAP/RING

Marine brass.

PLUG BODY/RING

Cast marine brass or Acrylonitrile Butadiene Styrene/Polycarbonate blend (ABS+PC).

HARDWARE

Stainless steel.

GASKETS

One piece neoprene.

RECEPTACLE/PLUG INTERIOR

Acrylonitrile Butadiene Styrene/Polycarbonate blend (ABS+PC).

PIN AND SLEEVES

Free machining brass.

ENTRIES

Standard units undrilled. Up to four 1" NPT outlets available. See ENTRY OPTIONS for selections.

MOUNTING

Surface, via two 1/4" bolts (not included).

VOLTAGE AND CURRENT

RECEPTACLE

125v AC, 20 Amp max
208v AC, 20 Amp max
250v AC, 20 Amp max
277v AC, 20 Amp max
480v AC, 20 Amp max
600v AC, 20 Amp max

ORDERING REFERENCES

PART NUMBER		DESCRIPTION	WEIGHT LBS
TYPE 2P3W	TYPE 3P4W		
3100B-125	3101B-125	Single Receptacle	4.3
420BP-125	420-4BP-125	Metal Plug	0.8
420PP-125	420-4PP-125	Plastic Plug	0.4

SPECIAL OPTIONS

- 208* - 208v AC (3P4W only)
- 250* - 250v AC
- 277* - 277v AC (2P3W only)
- 480* - 480v AC
- 600* - 600v AC (3P4W only)
- RS - Reverse Service

*Replace -125 in part number.

ENTRY OPTIONS

NPT Trade Size	Dead End*	Thru Feed*	X-Positions
1/2"	E1	C1	X1
3/4"	E2	C2	X2
1"	E3	C3	X3

*Entries on short side of casting.

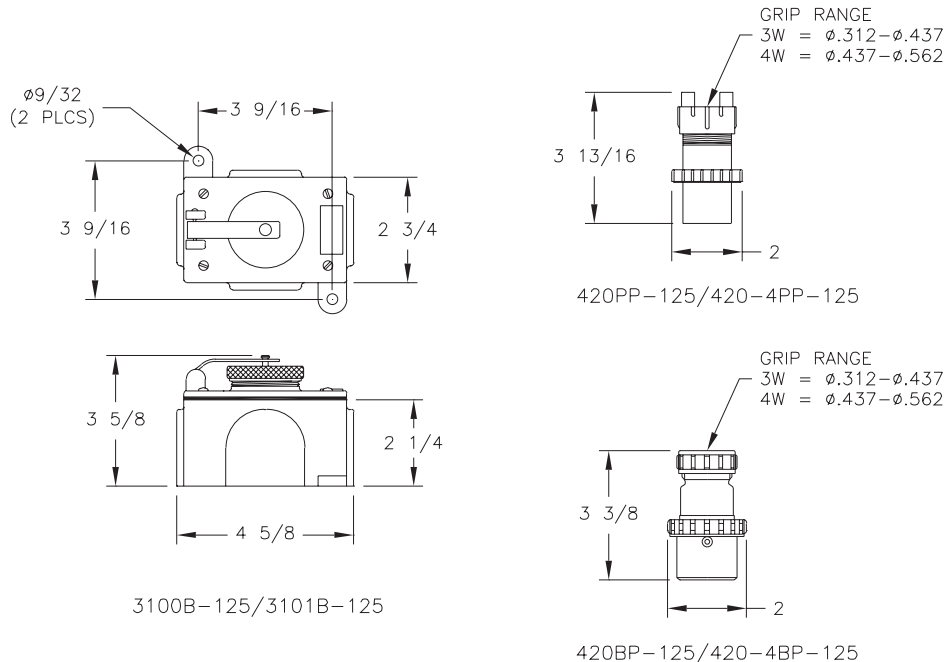
SPARE PARTS

Part No.	Description	Part No.	Description
INX3022-125*	INTERIOR, 2P3W, Receptacle	INX3242PR-125	ADAPTER, 125v to 5-20R
INX3143-125*	INTERIOR, 2P3W, Metal Plug	INX3242PR-250	ADAPTER, 250v to 6-20R
INX3103-125*	INTERIOR, 2P3W, Plastic Plug	GKT6094	BOX COVER GASKET
INX3023-125*	INTERIOR, 3P4W, Receptacle	INX8013B	CAP WITH GASKET
INX3147-125*	INTERIOR, 3P4W, Metal Plug	INX6030B	BOX
INX3105-125*	INTERIOR, 3P4W, Plastic Plug	INX6550B	COVER

*NOTE

Change "-125" suffix to 208, 250, 277, 480 or 600 for voltage needed.

DIMENSIONS



Dimensions in inches

Pro

ProConnect-PS 6000/mw



FEATURES

- Unique pin and sleeve design prevents accidental mating of non-marine rated devices.
- Available mating plug with integral threaded ring maintains a watertight seal.
- Neoprene gaskets resist petroleum.
- Reverse service feed available.
- Extended box and cover provides additional wiring capacity.
- Cast marine brass construction.
- Captive threaded receptacle cap.
- Heavy duty mounting pads.
- Silicone lubricant provided for cover screws and flange.
- Available in 125v AC up to 600v AC.
- 2P3W or 3P4W units available.



CHS Controls AB
Tel +46 42 38 61 00, Fax +46 42 38 61 29
chs@chscontrols.se www.chscontrols.se

APPLICATIONS

- Marine and watertight requirements

APPROVALS

- Conforms to IP66
- ABS

TECHNICAL SPECIFICATIONS

BOX/COVER/CAP

Cast marine brass.

PLUG BODY/RING

Cast marine brass.

HARDWARE

Stainless steel.

GASKETS

One piece neoprene.

RECEPTACLE/PLUG INTERIOR

Acrylonitrile Butadiene Styrene/Polycarbonate blend (ABS+PC).

PIN AND SLEEVES

Free machining brass.

ENTRIES

Standard units undrilled. Up to four 1" NPT outlets available. See ENTRY OPTIONS for selections.

MOUNTING

Surface, via two 1/4" mounting bolts (not included).

VOLTAGE AND CURRENT

RECEPTACLE

125v AC, 30 Amp max
250v AC, 30 Amp max
277v AC, 30 Amp max
380v AC, 30 Amp max
480v AC, 30 Amp max
600v AC, 30 Amp max

ORDERING REFERENCES

PART NUMBER		DESCRIPTION	WEIGHT LBS
TYPE 2P3W	TYPE 3P4W		
6009B-125	6006B-125	Angle Type	7.8
6009BP-125	6006BP-125	Plug	2.8

SPECIAL OPTIONS

-250*	- 250v units
-277*	- 277v units
-380*	- 380v units
-480*	- 480v units
-600*	- 600v units
RS	- Reverse Service

*Replace -125 in part number.

ENTRY OPTIONS

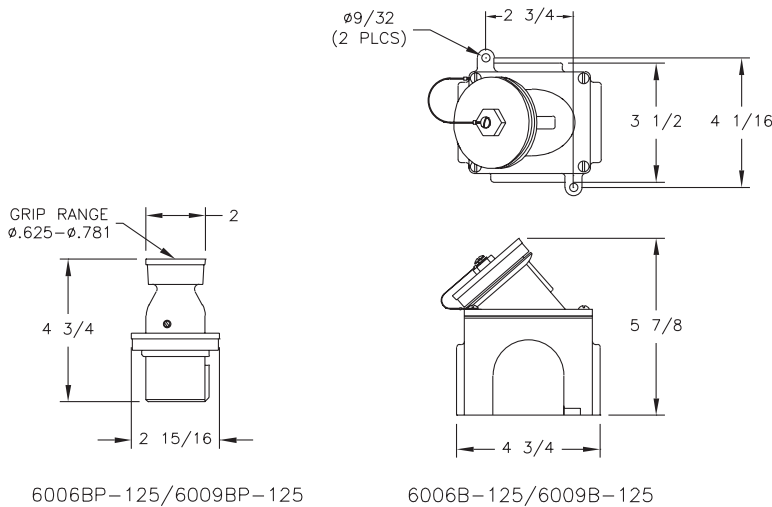
NPT Trade Size	Dead End*	Thru Feed*	X-Positions
1/2"	E1	C1	X1
3/4"	E2	C2	X2
1"	E3	C3	X3

*Entries on short side of casting.

SPARE PARTS

Part No.	Description	Part No.	Description
INX8014B	RECEPTACLE CAP W/GASKET	INX3057	INTERIOR, 3P4W Receptacle
GKT4005	BOX COVER GASKET	INX3073	INTERIOR, 2P3W Plug
INX3043	INTERIOR, 2P3W Receptacle	INX3074	INTERIOR, 3P4W Plug

DIMENSIONS



Dimensions in inches

Pro

ProConnect-PS 800/mw



FEATURES

- Unique pin and sleeve design prevents accidental mating of non-marine rated devices.
- Available mating plug with integral threaded ring maintains a watertight seal.
- Neoprene gaskets resist petroleum.
- Interlocking design of the receptacle prevents insertion or removal of the plug while the unit is energized.
- Cast marine brass construction.
- Captive threaded receptacle cap.
- Heavy duty mounting pads.
- Silicone lubricant provided for cover screws and flange.
- 2P3W or 3P4W units available.



CHS Controls AB
Tel +46 42 38 61 00, Fax +46 42 38 61 29
chs@chscontrols.se www.chscontrols.se

APPLICATIONS

- Marine and watertight requirements

APPROVALS

- Conforms to IP66
- ABS

TECHNICAL SPECIFICATIONS

BOX/COVER/HANDLE

Cast marine brass.

CAP PLUG BODY/RING

20 Amp - Free machining brass

30 Amp - Cast marine brass

HARDWARE

Stainless steel.

GASKETS

One piece neoprene.

RECEPTACLE/PLUG INTERIOR

Acrylonitrile Butadiene Styrene (ABS).

PIN AND SLEEVES

Free machining brass.

ENTRIES

Standard units undrilled. Up to four 1½" NPT outlets available. See ENTRY OPTIONS for selections.

MOUNTING

20 Amp - Surface, via two ¼" mounting bolts (not included).

30 AMP - Surface, via four ⅝" mounting bolts (not included).

VOLTAGE AND CURRENT

SWITCH AND RECEPTACLE

125v AC, 20/30 Amp max

250v AC, 20/30 Amp max

277v AC, 20/30 Amp max

380v AC, 20/30 Amp max

480v AC, 20/30 Amp max

600v AC, 20/30 Amp max

ORDERING REFERENCES

PART NUMBER		DESCRIPTION	WEIGHT LBS
TYPE 2P3W	TYPE 3P4W		
841B-125	842B-125	20 Amp Receptacle	7.5
839BP-125	840BP-125	20 Amp Plug	0.8
843B-125	844B-125	30 Amp Receptacle	9.0
6009BP-125	6006BP-125	30 Amp Plug	1.0

SPECIAL OPTIONS

- 250* - 250v AC
- 277* - 277v AC (20 Amp 2P3W only)
- 480* - 480v AC
- 600* - 600v AC (30 Amp 3P4W only)

*Replace -125 in part number.

ENTRY OPTIONS

NPT Trade Size	Dead End*	Thru Feed*	X-Positions
1/2"	E1	C1	X1
3/4"	E2	C2	X2
1"	E3	C3	X3
1 1/2"	E5	C5	X5

*Entries on short side of casting.

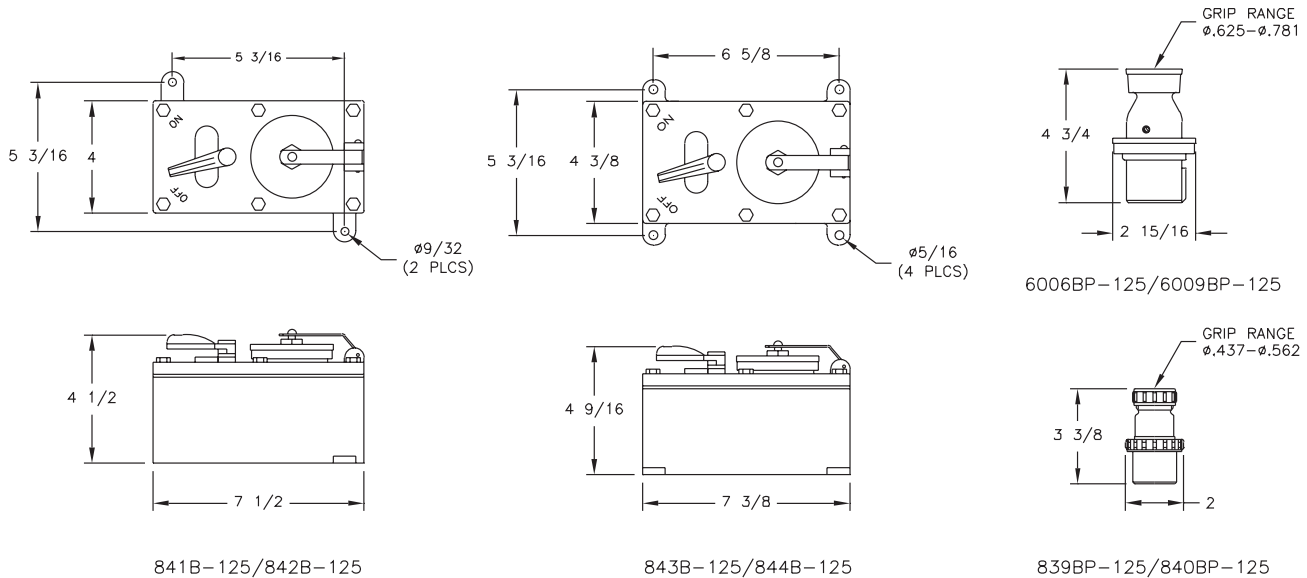
SPARE PARTS

Part No.	Description
INX6525B	COVER, 20 Amp
INX6716B	COVER, 30 Amp
INX6009B	BOX, 20 Amp
INX6069B	BOX, 30 Amp
INX8004B	CAP WITH GASKET, 20 Amp
INX8014B	CAP WITH GASKET, 30 Amp
GKT5057	BOX COVER GASKET, 20 Amp
GKT5058	BOX COVER GASKET, 30 Amp
INX3038	SWITCH, 841 125v and 250v
INX3115	SWITCH, 841 277v and 480v
INX3013	SWITCH, 842 all voltages
INX3115	SWITCH, 843 125v and 250v
INX3301	SWITCH, 843 277v and 600v
INX3013	SWITCH, 844 125v and 250v
INX3256	SWITCH, 844 277v and 600v
INX3143-125*	INTERIOR, 2P3W, 20 Amp Plug
INX3073	INTERIOR, 2P3W, 30 Amp Plug
INX3022-125*	INTERIOR, 2P3W, 20 Amp Receptacle
INX3043	INTERIOR, 2P3W, 30 Amp Receptacle
INX3147-125*	INTERIOR, 3P4W, 20 Amp Plug
INX3074	INTERIOR, 3P4W, 30 Amp Plug
INX3023-125*	INTERIOR, 3P4W, 20 Amp Receptacle
INX3057	INTERIOR, 3P4W, 30 Amp Receptacle

* NOTE

For the 20 amp unit, change "-125" suffix to 250, 277, 480 or 600 for voltage needed (2P3W units 480v max).

DIMENSIONS



Dimensions in inches

Pro

ProConnect-PS 246/247/mw



FEATURES

- Unique pin and sleeve design prevents accidental mating of non-marine rated devices.
- Available mating plug with integral threaded ring maintains a watertight seal.
- Neoprene gaskets resist petroleum.
- Interlocking design of the receptacle prevents insertion or removal of the plug while the unit is energized.
- Internal industrial breaker provides thermal overload and short circuit protection.
- Full load circuit interruption for added safety.
- Corrosion resistant cast marine brass construction.
- Captive threaded receptacle cap.
- Heavy duty mounting pads.
- Silicone lubricant provided for cover screws and flange.
- External control handle has provision for padlocking in the OFF position.
- Available from 15 to 30 Amp.
- 2P3W or 3P4W units available.

APPLICATIONS

- Wharfs and docking facilities
- Marine and watertight requirements
- Ship to shore power
- Dry dock temporary power usage

APPROVALS

- Conforms to IP66
- ABS

TECHNICAL SPECIFICATIONS

BOX/COVER/HANDLE/CAP

Cast marine brass.

PLUG BODY/RING

Cast marine brass.

HARDWARE

Stainless steel.

GASKETS

One piece neoprene.

RECEPTACLE/PLUG INTERIOR

Acrylonitrile Butadiene Styrene (ABS).

PIN AND SLEEVE

Free machining brass.

ENTRIES

Standard units undrilled. Up to four 1½" NPT outlets available. See ENTRY OPTIONS for selections.

VOLTAGE AND CURRENT

RECEPTACLES

125v AC, 30 Amp max
250v AC, 30 Amp max
277v AC, 30 Amp max
380v AC, 30 Amp max
480v AC, 30 Amp max

VOLTAGE AND CURRENT

BREAKER

480v AC, 15 Amp max
480v AC, 20 Amp max
480v AC, 30 Amp max

MOUNTING

Surface, via four ⅜" mounting bolts (not included).

ORDERING REFERENCES

PART NUMBER	DESCRIPTION	WEIGHT LBS
2P3W BRASS	2 POLE BREAKER	
2460B-125	15 Amp Breaker	31.5
2462B-125	20 Amp Breaker	31.5
2464B-125	30 Amp Breaker	31.5
430BP-125	Plug, 30 Amp	2.8
3P4W BRASS	3 POLE BREAKER	
2470B-125	15 Amp Breaker	31.5
2472B-125	20 Amp Breaker	31.5
2474B-125	30 Amp Breaker	31.5
431BP-125	Plug, 30 Amp	2.8

SPECIAL OPTIONS

-250* - 250v AC
-277* - 277v AC
-380* - 380v AC
-480* - 480v AC

*Replace -125 in part number.

Note: Changing the suffix changes the voltage rating of the receptacle.
The circuit breaker is dependent upon model selection.

ENTRY OPTIONS

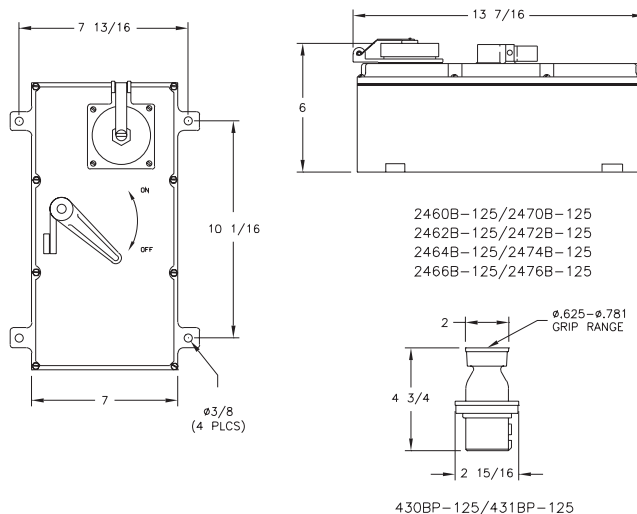
NPT Trade Size	Dead End	Thru Feed	X-Positions
1/2"	E1	C1	X1
3/4"	E2	C2	X2
1"	E3	C3	X3
1 1/2"	E5	C5	X5

*Entries on short side of casting.

SPARE PARTS

Part No.	Description
INX3086	2 POLE BREAKER, 15 Amp
INX3087	2 POLE BREAKER, 20 Amp
INX3088	2 POLE BREAKER, 30 Amp
INX3093	3 POLE BREAKER, 15 Amp
INX3094	3 POLE BREAKER, 20 Amp
INX3095	3 POLE BREAKER, 30 Amp
INX6041B	BOX
INX6650B	COVER WITH HANDLE
GKT5005	BOX COVER GASKET
INX8030B	CAP WITH GASKET
INX3073	2P3W INTERIOR, Plug
INX3043	2P3W INTERIOR, Receptacle
INX3074	3P4W INTERIOR, Plug
INX3057	3P4W INTERIOR, Receptacle

DIMENSIONS



Dimensions in inches

Pro

ProConnect-PS 420FC/PP/PC/mw



FEATURES

- Unique pin and sleeve design prevents accidental mating of non-marine rated devices.
- Voltage specific keyed ground pin assures proper mating.
- Non-metallic plugs with integral threaded ring maintain a watertight seal.
- Engineered plastic version of the Pauluhn brass 420 Series.
- Compatible with Pauluhn 20 Amp pin and sleeve devices
- Plugs, female connectors and sets of each are available.



CHS Controls AB
Tel +46 42 38 61 00, Fax +46 42 38 61 29
chs@chscontrols.se www.chscontrols.se

APPLICATIONS

- Wharfs and docking facilities
- Marine and watertight requirements
- Ship to shore power
- Dry dock temporary power usage

APPROVALS

- Conforms to IP66
- ABS

TECHNICAL SPECIFICATIONS

BODY/CAP/RING

Acrylonitrile Butadiene Styrene/Polycarbonate blend (ABS+PC).

PINS AND SLEEVES

Free machining brass.

CORD GRIP GROMMET

One piece neoprene.

CABLE RANGES

2P3W - .437 - .312

3P4W - .563 - .437

VOLTAGE AND CURRENT

125v AC, 20 Amp max

208v AC, 20 Amp max

250v AC, 20 Amp max

277v AC, 20 Amp max

480v AC, 20 Amp max

600v AC, 20 Amp max

ORDERING REFERENCES

DESCRIPTION	PART NUMBER						WEIGHT LBS
	125 VOLT	208 VOLT	250 VOLT	277 VOLT	480 VOLT	600 VOLT	
2P3W Plug	420PP-125	N/A	420PP-250	420PP-277	420PP-480	N/A	0.3
2P3W Female Connector	422FC-125	N/A	422FC-250	422FC-277	422FC-480	N/A	0.3
2P3W Plug & Connector	426PC-125	N/A	426PC-250	426PC-277	426PC-480	N/A	0.6
3P4W Plug	420-4PP-125	420-4PP-208	420-4PP-250	N/A	420-4PP-480	420-4PP-600	0.3
3P4W Female Connector	423FC-125	423FC-208	423FC-250	N/A	423FC-480	423FC-600	0.3
3P4W Plug & Connector	426-4PC-125	426-4PC-208	426-4PC-250	N/A	426-4PC-480	426-4PC-600	0.6

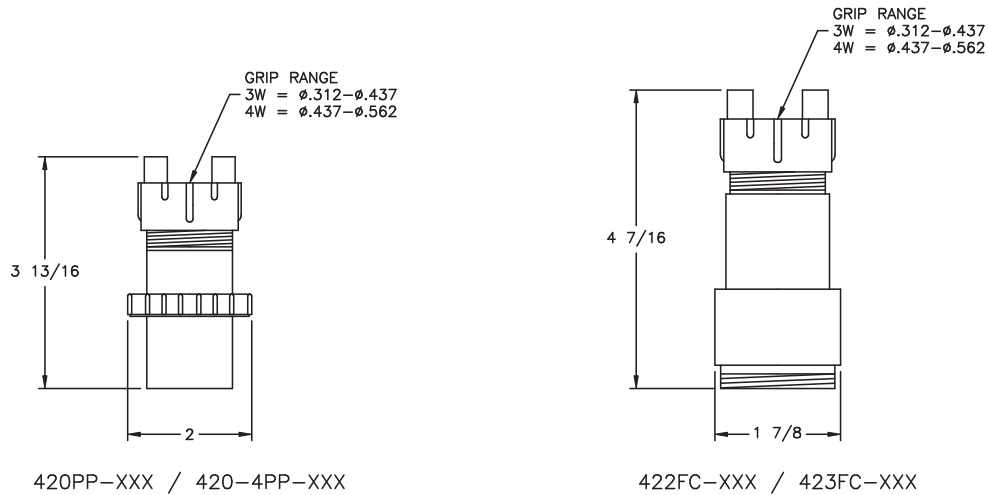
SPECIAL OPTIONS

RS - Reverse Service, Plug Only

SPARE PARTS

Part No.	Description		
GKT7008	CORD GRIP GROMMET, 2P3W	INX6651	PLUG/CONNECTOR CAP
GKT7009	CORD GRIP GROMMET, 3P4W	INX6652	THREADED RING

DIMENSIONS



Dimensions in inches

XPF

XPFConnect-PS EP/EPCS/mw



FEATURES

- Receptacles are rated for operation on 125v AC or optional 250v AC.
- Cast marine brass construction.
- Internal activation switch is rated at 20 Amp 2 H.P. at 115-575v AC 2 and 3 phase.
- Unique design has no levers and only one moving part for superior reliability.
- Interlock ensures the plug can only be inserted into the receptacle while the unit is switched off and cannot be removed while the unit is energized.
- 2P3W or 3P4W units available.



CHS Controls AB
Tel +46 42 38 61 00, Fax +46 42 38 61 29
chs@chscontrols.se www.chscontrols.se

APPLICATIONS

- Class I & II Division 1 & 2 explosive atmospheres
- Marine and watertight requirements
- Oil and gas exploration and production
- Fuel dispensing facilities
- Petrochemical facilities
- Pipeline compressor/pumping & storage

APPROVALS

- Class I Divisions 1 & 2 Groups C & D
- Class II Divisions 1 & 2 Groups F & G
- Conforms to IP66
- ABS

STANDARDS

- UL 1010 - Receptacle-Plug Combinations for Hazardous Locations

TECHNICAL SPECIFICATIONS

BOX/COVER

Cast marine brass.

HARDWARE

Stainless steel.

ENTRIES

Standard one 1/2" NPT outlet. Up to two 3/4" NPT through feed available. See ENTRY OPTIONS for selections.

VOLTAGE AND CURRENT

SWITCH

Rated 20 Amp 2 HP at 115-575v AC, 2 and 3 phase.

VOLTAGE AND CURRENT

RECEPTACLES

Pin and sleeve Pauluhn type. Rated for 125v AC, 250v AC optional.

MOUNTING

Surface, via two maximum 5/16" mounting bolts (not included).

ORDERING REFERENCES

PART NUMBER	DESCRIPTION	WEIGHT LBS
EPCS2400B-125	MARINE BRASS, 2 Pole 3 Wire Receptacle	17.5
EPCS2401B-125	MARINE BRASS, 3 Pole 4 Wire Receptacle	17.5
EP3610B-125	MARINE BRASS, 2 Pole 3 Wire Plug	2.0
EP3611B-125	MARINE BRASS, 3 Pole 4 Wire Plug	2.0

SPECIAL OPTIONS

-250* - 250v AC

*Replace -125 in part number.

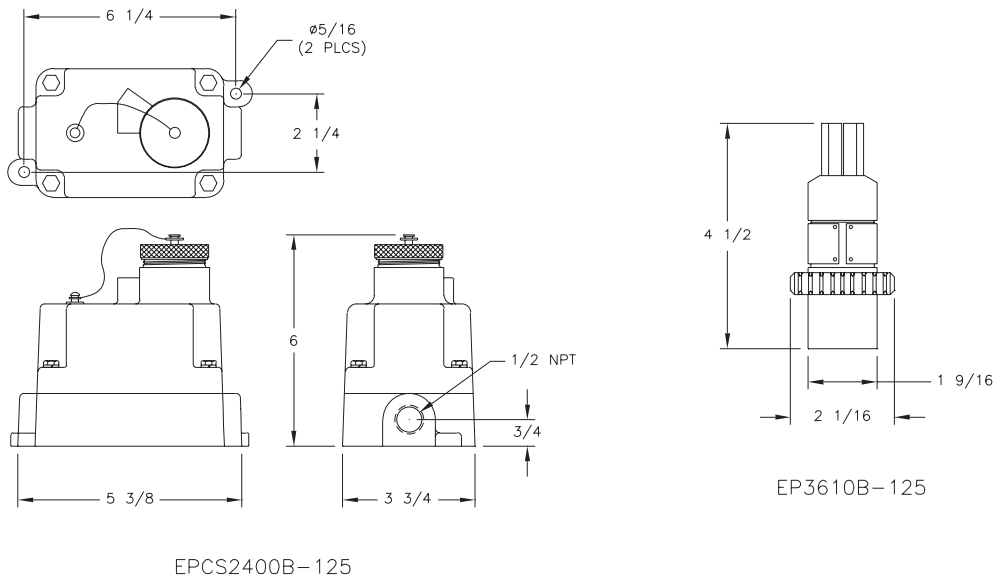
ENTRY OPTIONS

NPT Trade Size	Dead End	Thru Feed
1/2"	Std.	C1
3/4"	E2	C2

SPARE PARTS

Part No.	Description
INX6109B	BOX, Brass
INX8070B	CAP, Brass
INX3216	SWITCH, Brass
INX3219-125	RECEPTACLE INTERIOR, 125v, 2 Pole 3 Wire
INX3217-125	RECEPTACLE INTERIOR, 125v, 3 Pole 4 Wire
INX3619-250	RECEPTACLE INTERIOR, 250v, 2 Pole 3 Wire
INX3217-250	RECEPTACLE INTERIOR, 250v, 3 Pole 4 Wire
INX3143-125	PLUG INTERIOR, 125v, 2 Pole 3 Wire
INX3147-125	PLUG INTERIOR, 125v, 3 Pole 4 Wire
INX3143-250	PLUG INTERIOR, 250v, 2 Pole 3 Wire
INX3147-250	PLUG INTERIOR, 250v 3 Pole 4 Wire

DIMENSIONS



Dimensions in inches

NOTES

MARINE WIRING DEVICES

Switches

ProXchange	XPFXchange Explosionproof
862/1869/1871/ mw Pg. 460 	EPCS/mw - Pg. 478 
TG/mw - Pg. 462 	EP833/EP834 - Pg. 482 
833/834/mw - Pg. 464 	
2100/mw - Pg. 466 	
2400/mw - Pg. 470 	
Jewel/mw - Pg. 472 (881/882/889) 	
27S/mw - Pg. 474 	
2482/mw - Pg. 476 	

(Previous name)

Pro

ProXchange

862/1869/1871/mw



FEATURES

- Cast marine brass or copper free aluminum construction available.
- Neoprene gasket resists petroleum and provides a watertight seal.
- Silicone lubricant provided for cover screws and flange.
- Round or Square box types in surface or flush mounting.
- Double pole rotary switch rated at 20 amps.



CHS Controls AB
Tel +46 42 38 61 00, Fax +46 42 38 61 29
chs@chscontrols.se www.chscontrols.se

APPLICATIONS

- Marine and watertight requirements

APPROVALS

- Conforms to IP66
- ABS

TECHNICAL SPECIFICATIONS

BOX/COVER/KNOB

Cast marine brass or copper free aluminum.

HARDWARE

Stainless steel.

GASKET

One piece neoprene.

ENTRIES

Standard undrilled. Up to ¼" NPT through feed. 862 up to ¼" NPT four way. See ENTRY OPTIONS for selections.

VOLTAGE AND CURRENT

20 Amp 120/240v AC

1 HP at 120v AC or 2 HP at 240v AC

MOUNTING

862/1869/1871

Surface, via two ¼" mounting bolts (not included).

862F

Flush, via two ¼" mounting bolts (not included).

ORDERING REFERENCES

PART NUMBER	DESCRIPTION	WEIGHT LBS
862B	BRASS, Surface Mount Round Box	2.1
862BF	BRASS, Flush Mount Round Box	3.0
1869B	BRASS, Surface Mount Two Gang Box	4.5
1871B	BRASS, Surface Mount Square Box	3.2
862A	ALUMINUM, Surface Mount Round Box	0.9
1871A	ALUMINUM, Surface Mount Square Box	1.2

ENTRY OPTIONS 862 Version

NPT Trade Size	Dead End	Thru Feed	90 Degree	X-Positions
1/2"	E1	C1	L1	X1
3/4"	E2	C2	L2	X2

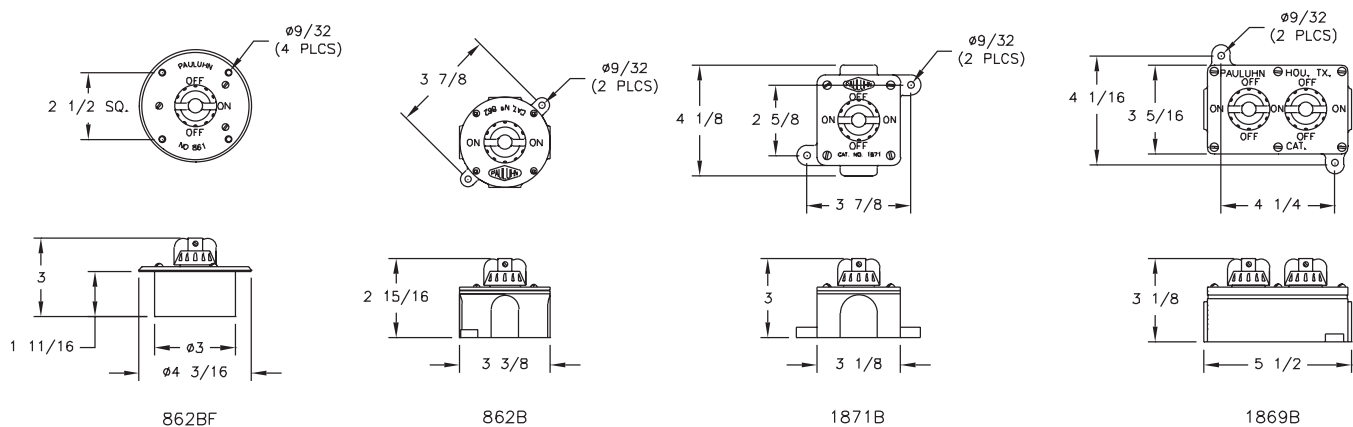
1869 & 1871 Versions

NPT Trade Size	Dead End	Thru Feed
1/2"	E1	C1
3/4"	E2	C2

SPARE PARTS

Part No.	Description
INX6509B	COVER, Brass, Surface Mount Round Box
INX6510B	COVER, Brass, Surface Mount Square Box
INX6511B	COVER, Brass, Surface Mount Two Gang Box
INX6512B	COVER, Brass, Flush Mount Round Box
INX6509A	COVER, Aluminum, Surface Mount Round Box
INX6510A	COVER, Aluminum, Surface Mount Square Box
INX6001B	BOX, Brass, Surface Mount Round
INX6002B	BOX, Brass, Surface Mount Square
INX6003B	BOX, Brass, Surface Mount Two Gang
INX6004B	BOX, Brass, Flush Mount Round
INX6001A	BOX, Aluminum, Surface Mount Round
INX6002A	BOX, Aluminum, Surface Mount Square
INX8002B	KNOB AND SHAFT ASSEMBLY, Brass
INX8002A	KNOB AND SHAFT ASSEMBLY, Aluminum
INX3192	SWITCH
GKT3001	GASKET, Surface Mount Round Box
GKT4000	GASKET, Surface/Flush Mount Square Box
GKT5001	GASKET, Surface Mount Two Gang Box
GKT2007	GASKET, Flush Mount Round Box

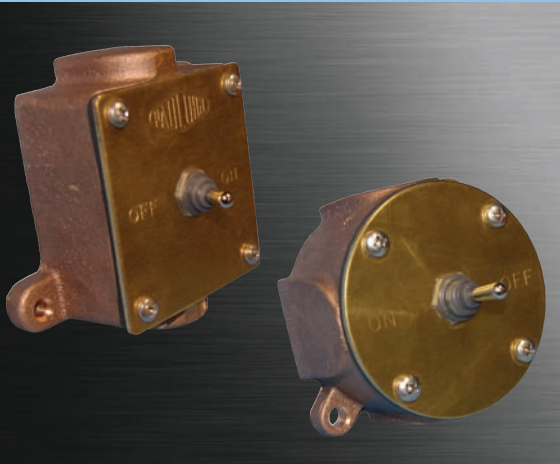
DIMENSIONS



Dimensions in inches

Pro

ProXchange TG/mw



FEATURES

- Cast marine brass or copper free aluminum construction available.
- Neoprene gasket resists petroleum and provides a watertight seal.
- Silicone lubricant provided for cover screws and flange.
- Round or Square box types in surface or flush mounting.
- Heavy duty mounting pads.
- Double pole toggle switch rated at 20 amps.



CHS Controls AB
Tel +46 42 38 61 00, Fax +46 42 38 61 29
chs@chscontrols.se www.chscontrols.se

APPLICATIONS

- Marine and watertight requirements

APPROVALS

- Conforms to IP66
- ABS

TECHNICAL SPECIFICATIONS

BOX

Cast marine brass or copper free aluminum.

COVER

Marine brass or copper free aluminum.

HARDWARE

Stainless steel.

GASKET

One piece neoprene.

ENTRIES

Standard undrilled. Square and two gang versions up to 3/4" NPT through feed.
Round versions up to 3/4" NPT four way. See ENTRY OPTIONS for selections.

VOLTAGE AND CURRENT

10 Amp 250v AC, 20 Amp 125v AC, 1 1/2 HP.

MOUNTING

All models except 862BFH.

Surface, via two 1/4" mounting bolts (not included).

862BFH

Flush, via four 1/4" mounting bolts (not included).

ORDERING REFERENCES

PART NUMBER	DESCRIPTION	WEIGHT LBS
862BH	BRASS, Surface Mount Round Box	2.1
878BH	BRASS, Surface Mount Round Box With Three-way Toggle Switch	2.1
2871BH	BRASS, Surface Mount Square Box With Three-way Toggle Switch	3.2
1871BH	BRASS, Surface Mount Square Box	3.2
1869BH	BRASS, Surface Mount Two Gang Box	4.5
862BFH	BRASS, Flush Mount Round Box	3.0
878BFH	BRASS, Flush Mount Round Box With Three-way Toggle Switch	3.0
2871BFH	BRASS, Flush Mount Square Box With Three-way Toggle Switch	2.3
862AH	ALUMINUM, Surface Mount Round Box	0.7
878AH	ALUMINUM, Surface Mount Round Box With Three-way Switch	0.7

ENTRY OPTIONS

862 & 878 Versions

NPT Trade Size	Dead End	Thru Feed	90 Degree	X-Positions
1/2"	E1	C1	L1	X1
3/4"	E2	C2	L2	X2

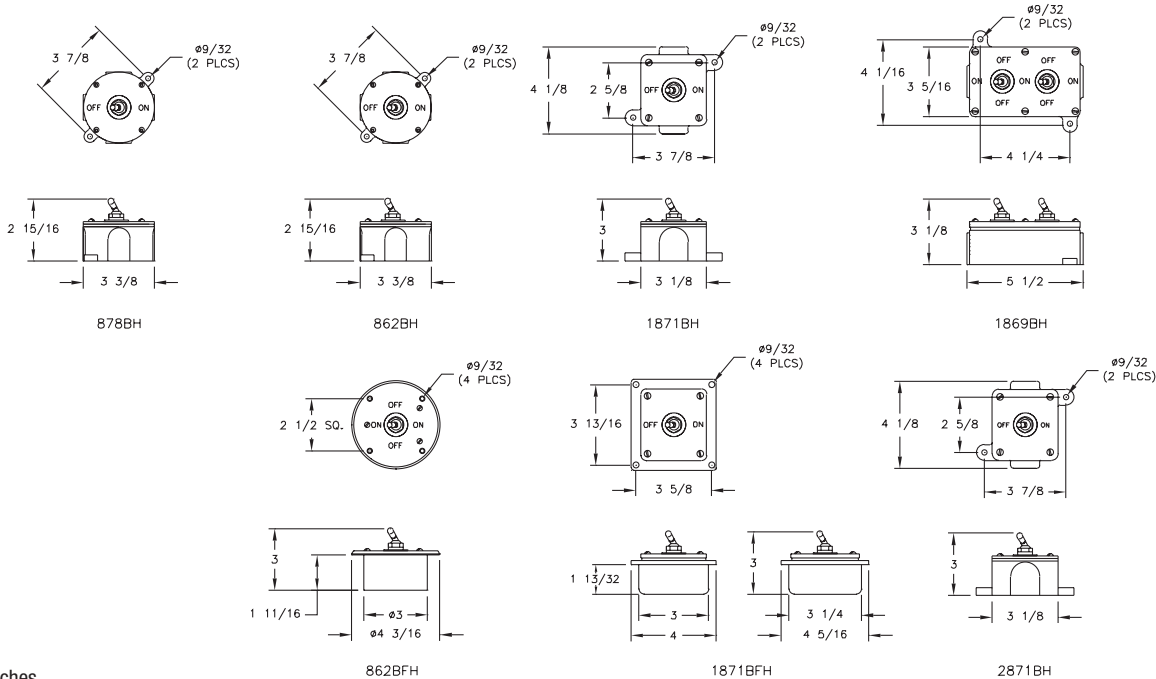
1869, 1871 & 2871 Versions

NPT Trade Size	Dead End	Thru Feed
1/2"	E1	C1
3/4"	E2	C2

SPARE PARTS

Part No.	Description
INX6513B	TOGGLE TYPE COVER, BRASS, Surface Mount Round Box
INX6510BH	TOGGLE TYPE COVER, BRASS, Surface Mount Square Box
INX6511BH	TOGGLE TYPE COVER, BRASS, Surface Mount Two Gang Box
INX6509BH	TOGGLE TYPE COVER, BRASS, Flush Mount Round Box
INX6513A	TOGGLE TYPE COVER, ALUMINUM, Surface Mount Round Box
INX6001B	BOX, BRASS, Surface Mount Round
INX6002B	BOX, BRASS, Surface Mount Square
INX6003B	BOX, BRASS, Surface Mount Two Gang
INX6004B	BOX, BRASS, Flush Mount Round
INX6001A	BOX, ALUMINUM, Surface Mount Round
INX3016	SWITCH, Double Pole Toggle
INX3018	SWITCH, 3-Way Toggle
INH0003	BOOT FOR TOGGLE SWITCH
GKT3001	GASKET, Surface Mount Round Box
GKT4000	GASKET, Surface Mount Square Box
GKT5001	GASKET, Surface Mount Two Gang Box
GKT2007	GASKET, Flush Mount Round Box

DIMENSIONS



Dimensions in inches

Pro

ProXchange 833/834/mw



FEATURES

- Single throw double pole snap switch.
- Cast marine brass construction.
- Neoprene gasket resists petroleum and provides a watertight seal.
- Heavy duty mounting pads.
- Silicone lubricant provided for cover screws and flange.
- Available in 15 or 20 Amp units.



CHS Controls AB
Tel +46 42 38 61 00, Fax +46 42 38 61 29
chs@chscontrols.se www.chscontrols.se

APPLICATIONS

- Alarm/warning indication
- Marine and watertight requirements

APPROVALS

- Conforms to IP66
- ABS

TECHNICAL SPECIFICATIONS

BOX/COVER

Cast marine brass.

SWITCH STEM

Free machining brass.

HARDWARE

Stainless steel.

GASKET

One piece neoprene.

ENTRIES

Standard units undrilled. Up to four 3/4" NPT outlets available. See ENTRY OPTIONS for selections.

SWITCHES

Spring loaded double pole single throw.

VOLTAGE AND CURRENT

833:

15 Amp 125v AC
10 Amp 24v DC
2 Amp 125v DC

834:

20 Amp 600v AC
15 Amp 24v DC
5 Amp 125v DC

MOUNTING

833/834

Surface, via two 11/32" mounting bolts (not included).

833F/834F

Flush, via four 5/16" mounting bolts (not included).

ORDERING REFERENCES

PART NUMBER	DESCRIPTION	WEIGHT LBS
833	15 Amp 120v AC Surface Mount	5.0
834	20 Amp 600v AC Surface Mount	6.0
833F	15 Amp 120v AC Flush Mount	5.0
834F	20 Amp 600v AC Flush Mount	6.0

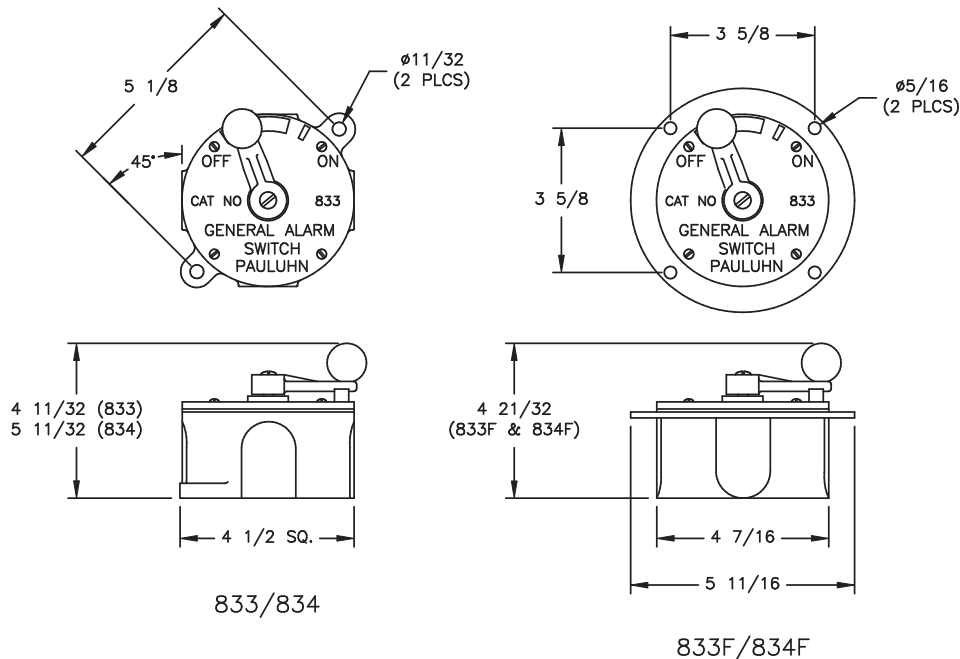
ENTRY OPTIONS

NPT Trade Size	Dead End	Thru Feed	90 Degree	X-Positions
1/2"	E1	C1	L1	X1
3/4"	E2	C2	L2	X2

SPARE PARTS

Part No.	Description
INX6037B	BOX, 833 Surface Mount
INX6083B	BOX, 834 Surface Mount
INX6053B	BOX, 833F Flush Mount
INX6054B	BOX, 834F Flush Mount
INX3058	INTERIOR SWITCH, 833
INX3118EP	INTERIOR SWITCH, 834
INX8017B	HANDLE
GKT3002	COVER GASKET
INX6576B	COVER WITH HANDLE
GKT1041	"O" RING

DIMENSIONS



Dimensions in inches

Pro

ProXchange 2100/mw



FEATURES

- Watertight toggle switch.
- Wide range of switch types in single pole, double pole, three way or four way units.
- Cast marine brass or copper free aluminum construction available.
- Heavy duty mounting pads.
- Neoprene gasket resists petroleum and provides a watertight seal.
- Silicone lubricant provided for cover screws and flange.
- Switches rated at 15, 20 or 30 Amp.



CHS Controls AB
Tel +46 42 38 61 00, Fax +46 42 38 61 29
chs@chscontrols.se www.chscontrols.se

APPLICATIONS

- Marine and watertight requirements

APPROVALS

- Conforms to IP66
- ABS

TECHNICAL SPECIFICATIONS

BOX/COVER/HANDLE

Cast marine brass or copper free aluminum.

HARDWARE

Stainless steel.

GASKET

One piece neoprene.

ENTRIES

Standard units undrilled. Up to four 1" NPT outlets available. See ENTRY OPTIONS for selections.

VOLTAGE AND CURRENT

SWITCH

15 Amp, 277v AC
20 Amp, 250v AC
30 Amp, 250v AC

MOUNTING

Surface, via two 1/4" mounting bolts (not included).

ORDERING REFERENCES

PART NUMBER	DESCRIPTION	VOLTAGE AND CURRENT	WEIGHT LBS
2100B	BRASS, SINGLE GANG, Single Pole	15A 277v AC	4.3
2111B	BRASS, SINGLE GANG, Single Pole	20A 250v AC	4.3
2121B	BRASS, SINGLE GANG, Single Pole	30A 250v AC	4.3
2102B	BRASS, SINGLE GANG, Double Pole	15A 277v AC	4.3
2112B	BRASS, SINGLE GANG, Double Pole	20A 250v AC	4.3
2119B*	BRASS, SINGLE GANG, Double Pole	20A 250v AC	4.3
2122B	BRASS, SINGLE GANG, Double Pole	30A 250v AC	4.3
2103B	BRASS, SINGLE GANG, Three Way	15A 277v AC	4.3
2113B	BRASS, SINGLE GANG, Three Way	20A 250v AC	4.3
2123B	BRASS, SINGLE GANG, Three Way	30A 250v AC	4.3
2104B	BRASS, SINGLE GANG, Four Way	15A 277v AC	4.3
2100A	ALUMINUM, SINGLE GANG, Single Pole	15A 277v AC	1.8
2111A	ALUMINUM, SINGLE GANG, Single Pole	20A 250v AC	1.8
2121A	ALUMINUM, SINGLE GANG, Single Pole	30A 250v AC	1.8
2102A	ALUMINUM, SINGLE GANG, Double Pole	15A 277v AC	1.8
2112A	ALUMINUM, SINGLE GANG, Double Pole	20A 250v AC	1.8
2119A*	ALUMINUM, SINGLE GANG, Double Pole	20A 250v AC	1.8
2122A	ALUMINUM, SINGLE GANG, Double Pole	30A 250v AC	1.8
2103A	ALUMINUM, SINGLE GANG, Three Way	15A 277v AC	1.8
2113A	ALUMINUM, SINGLE GANG, Three Way	20A 250v AC	1.8
2123A	ALUMINUM, SINGLE GANG, Three Way	30A 250v AC	1.8
2104A	ALUMINUM, SINGLE GANG, Four Way	15A 277v AC	1.8

* On/On, no center "Off" position.

ENTRY OPTIONS

NPT Trade Size	Dead End	Thru Feed	X-Positions
1/2"	E1	C1	X1
3/4"	E2	C2	X2
1"	E3	C3	X3

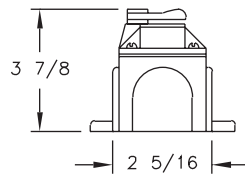
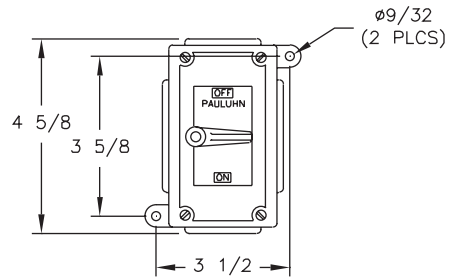
SPARE PARTS

Part No.	Description
INX6547B	COVER, BRASS
INX6547A	COVER, ALUMINUM
INX6030B	BOX, BRASS
INX6030A	BOX, ALUMINUM
GKT6008	GASKET
INX3034	SINGLE POLE SWITCH, 15 Amp 277v AC
INX3025	SINGLE POLE SWITCH, 20 Amp 250v AC
INX3026	SINGLE POLE SWITCH, 30 Amp 250v AC
INX3002	DOUBLE POLE SWITCH 15 Amp 277v AC
INX3038	DOUBLE POLE SWITCH 20 Amp 250v AC
INX3249*	DOUBLE POLE SWITCH 20 Amp 250v AC
INX3008	DOUBLE POLE SWITCH 30 Amp 250v AC
INX3040	THREE WAY SWITCH, 15 Amp 277v AC
INX3041	THREE WAY SWITCH, 20 Amp 250v AC
INX3042	THREE WAY SWITCH, 30 Amp 250v AC
INX3009	FOUR WAY SWITCH, 15 Amp 277v AC

* On/On, no center "Off" position.

ProXchange **2100**/mw

DIMENSIONS



Dimensions in inches

2100B-2104B / 2111B-2113B
 2121B-2123B

NOTES

Pro

ProXchange 2400/mw



FEATURES

- Weatherproof toggle switch.
- Cover may be locked closed to limit accessibility.
- Wide range of switch types in single pole, double pole, three way or four way units.
- Heavy duty mounting pads.
- Silicone lubricant provided for cover screws and flange.
- Neoprene gasket resists petroleum and provides a watertight seal.
- Wide range of switch types in single pole, double pole, three way or four way units.
- Switches rated at 15, 20 or 30 Amp.



CHS Controls AB
Tel +46 42 38 61 00, Fax +46 42 38 61 29
chs@chscontrols.se www.chscontrols.se

APPLICATION

- Damp or wet locations

APPROVALS

- Conforms to IP52
- ABS

TECHNICAL SPECIFICATIONS

BOX

Cast copper free aluminum.

COVER

Die cast aluminum, powder coated.

HARDWARE

Stainless steel.

GASKET

One piece neoprene.

ENTRIES

Standard units undrilled. Up to four 1" NPT outlets available. See ENTRY OPTIONS for selections.

VOLTAGE AND CURRENT

SWITCH

15 Amp, 277v AC
20 Amp, 250v AC
30 Amp, 250v AC

MOUNTING

Surface, via two maximum 1/4" mounting bolts (not included).

ORDERING REFERENCES

PART NUMBER	DESCRIPTION	VOLTAGE AND CURRENT	WEIGHT LBS
2420A	Single Pole	15A 277v AC	1.8
2430A	Single Pole	20A 250v AC	1.8
2440A	Single Pole	30A 250v AC	1.8
2422A	Double Pole	15A 277v AC	1.8
2432A	Double Pole	20A 250v AC	1.8
2442A	Double Pole	30A 250v AC	1.8
2423A	Three Way	15A 277v AC	1.8
2433A	Three Way	20A 250v AC	1.8
2443A	Three Way	30A 250v AC	1.8
2424A	Four Way	15A 277v AC	1.8

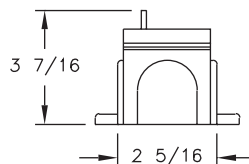
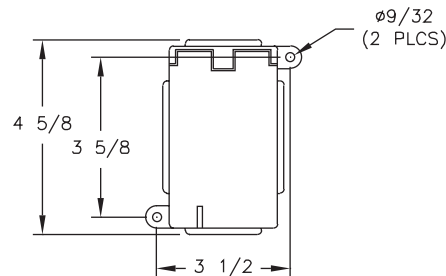
ENTRY OPTIONS

NPT Trade Size	Dead End	Thru Feed	X-Positions
1/2"	E1	C1	X1
3/4"	E2	C2	X2
1"	E3	C3	X3

SPARE PARTS

Part No.	Description	Part No.	Description
INX6548A	COVER & GASKET	INX3038	DOUBLE POLE SWITCH, 20 Amp 250v AC
INX6030A	BOX	INX3008	DOUBLE POLE SWITCH, 30 Amp 250v AC
INX3034	SINGLE POLE SWITCH, 15 Amp 277v AC	INX3040	THREE WAY SWITCH, 15 Amp 277v AC
INX3025	SINGLE POLE SWITCH, 20 Amp 250v AC	INX3041	THREE WAY SWITCH, 20 Amp 250v AC
INX3026	SINGLE POLE SWITCH, 30 Amp 250v AC	INX3042	THREE WAY SWITCH, 30 Amp 250v AC
INX3002	DOUBLE POLE SWITCH, 15 Amp 277v AC	INX3009	FOUR WAY SWITCH 15 Amp 277v AC

DIMENSIONS



Dimensions in inches

2420A–2424A / 2430A–2433A
 2440A–2443A

Pro

ProXchange Jewel/mw



FEATURES

- Clear jeweled lens. Optional red, yellow, green or blue lens available.
- Cast marine brass construction.
- Heavy duty mounting pads.
- Neoprene gasket resists petroleum and provides a watertight seal.
- 120v AC 6w lamp with optional 12v or 24v, 6w lamps.
- Double pole 20 Amp 240v AC rotary switches.



CHS Controls AB
Tel +46 42 38 61 00, Fax +46 42 38 61 29
chs@chscontrols.se www.chscontrols.se

APPLICATIONS

- Status/warning indication
- Marine and watertight requirements

APPROVALS

- Conforms to IP66
- ABS

TECHNICAL SPECIFICATIONS

BOX/COVER

Cast marine brass.

HARDWARE

Stainless steel.

GASKET

One piece neoprene.

ENTRIES

Standard units undrilled. Up to ¼" NPT through feed available. See ENTRY OPTIONS for selections.

LAMP

6w 120v AC. 12v or 24v optional.

LENS

Clear jewel. Optional red, yellow, green or blue available.

VOLTAGE AND CURRENT

SWITCHES

20 Amp 120/240v AC
1 HP at 120v AC or 2 HP at 240v AC

MOUNTING

Surface, via two ¼" mounting bolts (not included).

ORDERING REFERENCES

PART NUMBER	DESCRIPTION	WEIGHT LBS
881B	One Light	2.0
882B	Two Lights	3.0
889B	One Light with Switch	3.0

SPECIAL OPTIONS

RED	- Red Lens
YEL	- Yellow Lens
GRN	- Green Lens
BLU	- Blue Lens
-12	- 12v lamp, 6w
-24	- 24v lamp, 6w

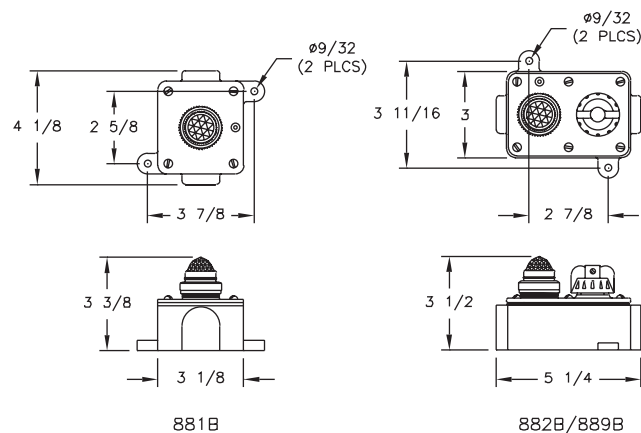
ENTRY OPTIONS

NPT Trade Size	Dead End	Thru Feed
1/2"	E1	C1
3/4"	E2	C2

SPARE PARTS

Part No.	Description	Part No.	Description
INX6690B	COVER, BRASS, One Light	INX3192	SWITCH
INX6691B	COVER, BRASS, Two Lights	INX9050CLR	LENS & LAMP HOLDER ASSEMBLY, Clear
INX6682B	COVER, BRASS, One Light with Switch	INX9050RED	LENS & LAMP HOLDER ASSEMBLY, Red
INX6002B	BOX, BRASS, One Light	INX9050YEL	LENS & LAMP HOLDER ASSEMBLY, Yellow
INX6008B	BOX, BRASS, Two Lights or One with Switch	INX9050GRN	LENS & LAMP HOLDER ASSEMBLY, Green
GKT4000	GASKET, One Light	INX9050BLU	LENS & LAMP HOLDER ASSEMBLY, Blue
GKT5011	GASKET, Two Lights or One with Switch	INX2147CLR	LENS, Clear
INX8002B	KNOB AND SHAFT ASSEMBLY	INX2147RED	LENS, Red
INX3504	LAMP, 6w 120v AC	INX2147YEL	LENS, Yellow
INX3504-12	LAMP, 6w 12v	INX2147GRN	LENS, Green
INX3504-24	LAMP, 6w 24v	INX2147BLU	LENS, Blue

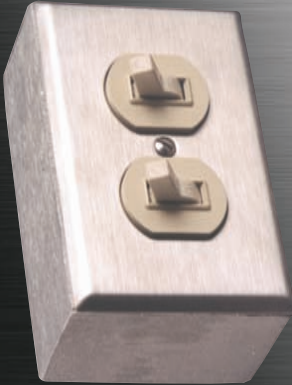
DIMENSIONS



Dimensions in inches

Pro

ProXchange 27S/mw



FEATURES

- Choice of single pole, double pole, 3 or 4 way switches, switch/receptacle combination or switch/pilot light combination.
- Choice of corrosion resistant enclosures in cast marine brass, copper free aluminum or non-metallic.
- Pilot light illuminates during switch activation.
- Flush mount versions available.



CHS Controls AB
Tel +46 42 38 61 00, Fax +46 42 38 61 29
chs@chscontrols.se www.chscontrols.se

APPLICATIONS

- Marine interior

APPROVALS

- Conforms to IP20
- ABS

TECHNICAL SPECIFICATIONS

BOX/COVER

Box	Cover
Marine brass	Brass
Copper free aluminum	Stainless steel
Non-metallic	Non-metallic

PILOT LIGHT

¼ watt neon lamp.

VOLTAGE AND CURRENT RECEPTACLE

15 Amp 125v AC ANSI NEMA 5-15R.

VOLTAGE SWITCH

277v AC max.

VOLTAGE PILOT LIGHT

120v AC max.

MOUNTING

Surface, via 2 maximum ¼" mounting bolts (not included).

WEIGHT

Brass	2.0 lbs
Aluminum	0.8 lbs
Non-metallic	0.8 lbs

ORDERING REFERENCES

BRASS	ALUMINUM	NON-METALLIC	DESCRIPTION	AMP	VOLTAGE
2711B	2711A	2711PL	One Single Pole Switch	15	277v AC Max
2722B	2722A	2722PL	One Single Pole Switch	20	277v AC Max
2712B	2712A	2712PL	One Double Pole Switch	15	277v AC Max
2723B	2723A	2723PL	One Double Pole Switch	20	277v AC Max
2724B	2724A	2724PL	One Three Way Switch	20	277v AC Max
2725B	2725A	2725PL	One Four Way Switch	20	277v AC Max
2715B	2715A	2715PL	One Receptacle with Single Pole Switch	15	277v AC Max
2718B	2718A	2718PL	One Receptacle with 3 Way Switch	15	120v AC Max
2717B	2717A	2717PL	Two Single Pole Switches	15	277v AC Max
2720B	2720A	2720PL	One Single Pole Switch & One Three Way Switch	15	277v AC Max
2721B	2721A	2721PL	Two Three Way Switches	15	277v AC Max
2716B	2716A	2716PL	One Single Pole Switch & Pilot Light	15	120v AC Max
2719B	2719A	2719PL	One Three Way Switch & Pilot Light	15	120v AC Max

SPECIAL OPTIONS

F - Flush Mount Unit

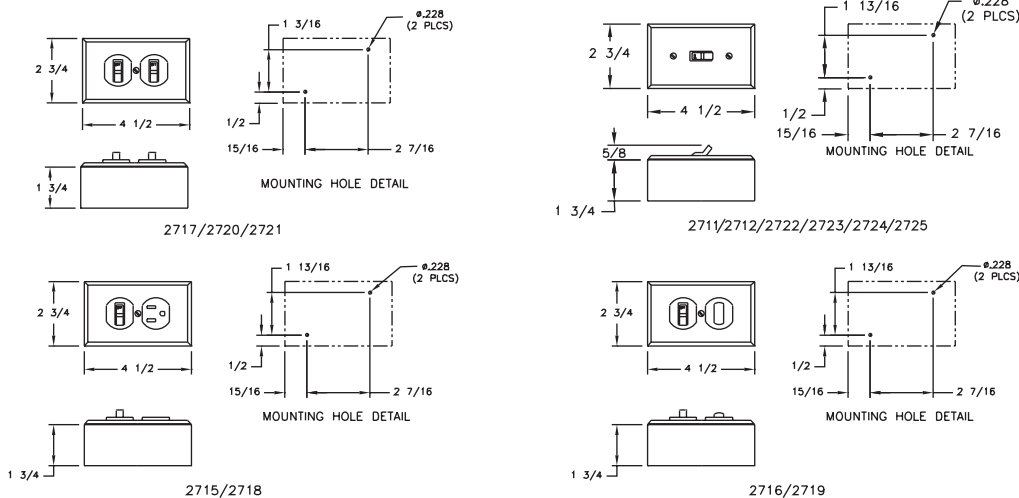
ENTRY OPTIONS

NPT Trade Size	Dead End	Thru Feed
1/2"	E1	C1
3/4"	E2	C2

SPARE PARTS

Part No.	Description
INX3201	RECEPTACLE WITH SINGLE POLE SWITCH
INX3229	RECEPTACLE WITH THREE WAY SWITCH
INX3199	TWO SINGLE POLE SWITCHES
INX3232	TWO THREE WAY SWITCHES
INX3231	ONE SINGLE POLE AND ONE THREE WAY SWITCH
INX3200	PILOT AND SINGLE POLE SWITCH
INX3230	PILOT AND THREE WAY SWITCH
INX6033B	BOX, BRASS
INX3034	ONE SINGLE POLE SWITCH, 15 AMP
INX3025	ONE SINGLE POLE SWITCH, 20 AMP
INX3002	ONE DOUBLE POLE SWITCH, 15 AMP
INX3038	ONE DOUBLE POLE SWITCH, 20 AMP
INX3041	ONE THREE WAY SWITCH
INX3202	ONE FOUR WAY SWITCH
INX6033A	BOX, ALUMINUM
INX6033PL	BOX, NON-METALLIC
INX6689B	FLUSH COVERS, BRASS
INX6689A	FLUSH COVERS COMBINATION, ALUMINUM
INX6689PL	FLUSH COVERS COMBINATION, NON-METALLIC
INX6685B	COVER COMBINATION, BRASS
INX66853A	COVER COMBINATION, ALUMINUM
INX6685PL	COVER COMBINATION, NON-METALLIC
INX6561B	COVER, SWITCH ONLY, BRASS
INX6561A	COVER, SWITCH ONLY, ALUMINUM
INX6561PL	COVER, SWITCH ONLY, NON-METALLIC
INX6562B	FLUSH COVER, SWITCH ONLY, BRASS
INX6562A	FLUSH COVER, SWITCH ONLY, ALUMINUM
INX6562PL	FLUSH COVER, SWITCH ONLY, NON-METALLIC

DIMENSIONS



Dimensions in inches

Pro

ProXchange 2482/mw



FEATURES

- Internal industrial breaker provides thermal overload and short circuit protection.
- Full load circuit interruption for added safety.
- Corrosion resistant cast marine brass construction.
- Neoprene gasket resists petroleum and provides a watertight seal.
- Heavy duty mounting pads.
- Silicone lubricant provided for cover screws and flange.
- External control handle has provision for padlocking in the OFF position.
- Available from 15 to 100 Amp.
- 2P3W or 3P4W units available.



CHS Controls AB
Tel +46 42 38 61 00, Fax +46 42 38 61 29
chs@chscontrols.se www.chscontrols.se

APPLICATIONS

- Emergency disconnect
- Marine and watertight requirements

APPROVALS

- Conforms to IP66
- ABS

TECHNICAL SPECIFICATIONS

BOX/COVER/HANDLE

Cast marine brass.

HARDWARE

Stainless steel.

GASKET

One piece neoprene.

ENTRIES

Standard units undrilled. One outlet each end up to 1½" NPT or two outlets each end up to 1¼" NPT available. Please state requirements on application.

VOLTAGE

Two pole breakers rated for 480v AC or 250v DC.

Three pole breakers rated for 480v AC only.

MOUNTING

Surface, via four maximum ¾" mounting bolts (not included).

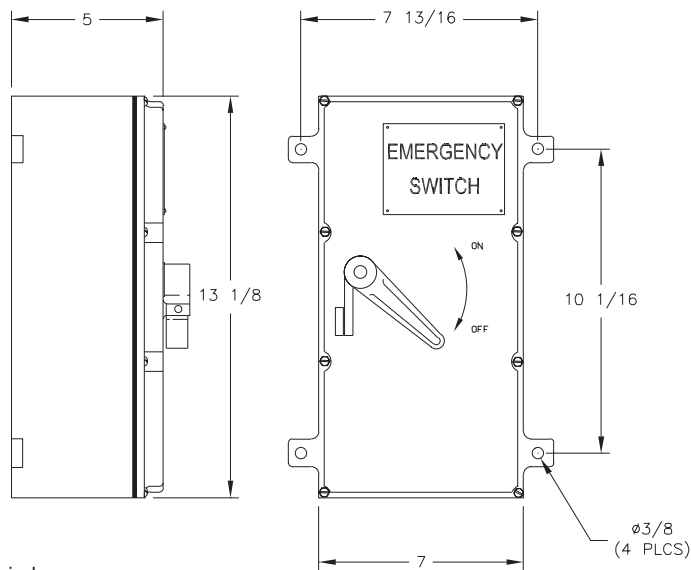
ORDERING REFERENCES

PART NUMBER	DESCRIPTION	WEIGHT LBS
2482B	2 Pole, Enclosure Only	28.0
2482B-215	2 Pole, 15 Amp Breaker	30.5
2482B-220	2 Pole, 20 Amp Breaker	30.5
2482B-230	2 Pole, 30 Amp Breaker	30.5
2482B-240	2 Pole, 40 Amp Breaker	30.5
2482B-250	2 Pole, 50 Amp Breaker	30.5
2482B-260	2 Pole, 60 Amp Breaker	30.5
2482B-2100	2 Pole, 100 Amp Breaker	30.5
2482B-315	3 Pole, 15 Amp Breaker	30.5
2482B-320	3 Pole, 20 Amp Breaker	30.5
2482B-330	3 Pole, 30 Amp Breaker	30.5
2482B-340	3 Pole, 40 Amp Breaker	30.5
2482B-350	3 Pole, 50 Amp Breaker	30.5
2482B-360	3 Pole, 60 Amp Breaker	30.5
2482B-3100	3 Pole, 100 Amp Breaker	30.5

SPARE PARTS

Part No.	Description	Part No.	Description
INX6575B	COVER WITH HANDLE	INX3092	2 POLE BREAKER, 100 Amp
INX6041B	BOX	INX8018B	HANDLE ASSEMBLY
GKT5005	GASKET	INX3093	3 POLE BREAKER, 15 Amp
INX3086	2 POLE BREAKER, 15 Amp	INX3094	3 POLE BREAKER, 20 Amp
INX3087	2 POLE BREAKER, 20 Amp	INX3095	3 POLE BREAKER, 30 Amp
INX3088	2 POLE BREAKER, 30 Amp	INX3096	3 POLE BREAKER, 40 Amp
INX3089	2 POLE BREAKER, 40 Amp	INX3097	3 POLE BREAKER, 50 Amp
INX3090	2 POLE BREAKER, 50 Amp	INX3098	3 POLE BREAKER, 60 Amp
INX3091	2 POLE BREAKER, 60 Amp	INX3099	3 POLE BREAKER, 100 Amp

DIMENSIONS



Dimensions in inches

XPF

XPFXchange **EPCS/mw**



FEATURES

- May be locked into the ON or OFF position for added safety.
- Cast marine brass or copper free aluminum construction.
- Heavy duty mounting pads.
- Silicone lubricant provided for cover screws and flange.
- Flame tight, close tolerance threaded switch stem.
- 20 Amp single pole, double pole, three way and four way units.
- 20 Amp or 30 Amp single pole double throw and double pole double throw options.

APPLICATIONS

- Class I & II Division 1 & 2 explosive atmospheres
- Marine and watertight requirements
- Oil and gas exploration and production
- Fuel dispensing facilities
- Petrochemical facilities
- Pipeline compressor/pumping & storage

APPROVALS

- Class I Divisions 1 & 2 Groups C & D
- Class II Divisions 1 & 2 Groups E, F & G
- Conforms to IP66
- ABS

STANDARDS

- UL 894 - Switches for use in Hazardous Locations

TECHNICAL SPECIFICATIONS

BOX/COVER

Cast marine brass or copper free aluminum.

SWITCH STEM

Stainless steel.

HARDWARE

Stainless steel.

ENTRIES

Standard one 1/2" NPT outlet. Up to 3/4" NPT through feed available. See ENTRY OPTIONS for selections.

SWITCHES

See ORDERING REFERENCES for ratings.

VOLTAGE

120-277v AC.

MOUNTING

Surface, via two 5/16" mounting bolts (not included).

ORDERING REFERENCES

PART NUMBER	DESCRIPTION	WEIGHT LBS
EPCS2211B	MARINE BRASS, Single Pole 20 Amp	12.5
EPCS2212B	MARINE BRASS, Double Pole 20 Amp	12.5
EPCS2212B-30	MARINE BRASS, Double Pole 30 Amp	12.5
EPCS2214B	MARINE BRASS, Three Way 20 Amp	12.5
EPCS2215B	MARINE BRASS, Four Way 20 Amp	12.5
EPCS2216B	MARINE BRASS, Single Pole Double Throw (ON) 30 Amp	12.5
EPCS2217B	MARINE BRASS, Single Pole Double Throw (ON/OFF/ON) 20 Amp	12.5
EPCS2218B	MARINE BRASS, Double Pole Double Throw (ON/OFF/ON) 20 Amp	12.5
EPCS2219B	MARINE BRASS, Double Pole Double Throw (ON) 30 Amp	12.5
EPCS2211A	ALUMINUM, Single Pole 20 Amp	4.5
EPCS2212A	ALUMINUM, Double Pole 20 Amp	4.5
EPCS2212A-30	ALUMINUM, Double Pole 30 Amp	4.5
EPCS2214A	ALUMINUM, Three Way 20 Amp	4.5
EPCS2215A	ALUMINUM, Four Way 20 Amp	4.5
EPCS2216A	ALUMINUM, Single Pole Double Throw (ON) 30 Amp	4.5
EPCS2217A	ALUMINUM, Single Pole Double Throw (ON/OFF/ON) 20 Amp	4.5
EPCS2218A	ALUMINUM, Double Pole Double Throw (ON/OFF/ON) 20 Amp	4.5
EPCS2219A	ALUMINUM, Double Pole Double Throw (ON) 30 Amp	4.5

ENTRY OPTIONS

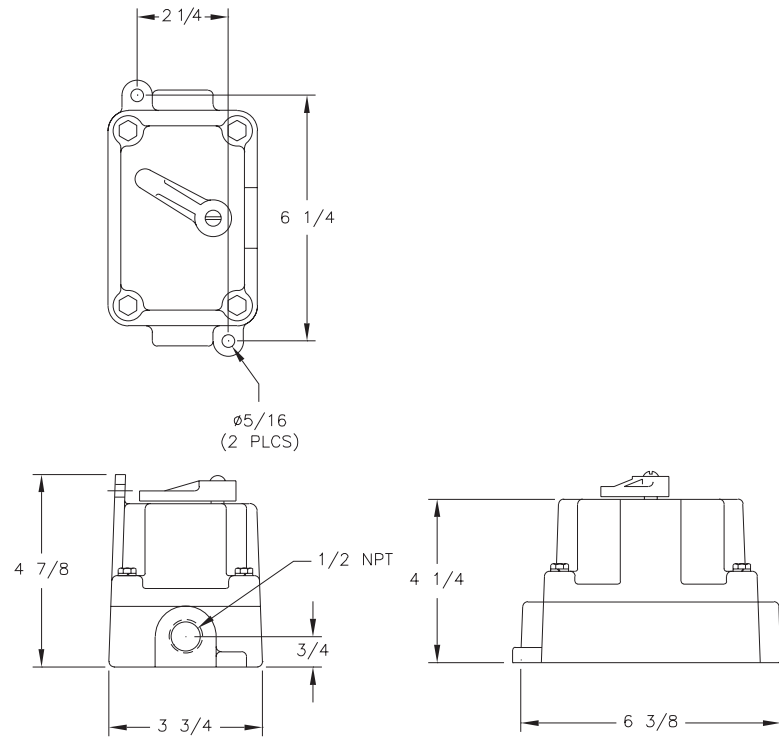
NPT Trade Size	Dead End	Thru Feed
1/2"	Std.	C1
3/4"	E2	C2

SPARE PARTS

Part No.	Description
INX3025	STANDARD SWITCH, Single Pole 20 Amp
INX3038	STANDARD SWITCH, Double Pole 20 Amp
INX3008	STANDARD SWITCH, Double Pole 30 Amp
INX3041	STANDARD SWITCH, Three Way 20 Amp
INX3202	STANDARD SWITCH, Four Way 20 Amp
INX3247	CENTER OFF SWITCH, Single Pole Double Throw 20 Amp
INX3292	CENTER OFF SWITCH, Double Pole Double Throw 20 Amp
INX3246	NO CENTER OFF SWITCH, Single Pole Double Throw 30 Amp
INX3249	NO CENTER OFF SWITCH, Double Pole Double Throw 30 Amp
INX8084B	HANDLE, Brass
INX8084A	HANDLE, Aluminum
INX6109B	BOX, Brass
INX6109A	BOX, Aluminum
GKT1041	"O" RING

XPFXchange **EPCS**/mw

DIMENSIONS



Dimensions in inches

NOTES

XPF

XPFXchange EP833/EP834/mw



CHS Controls AB
Tel +46 42 38 61 00, Fax +46 42 38 61 29
chs@chscontrols.se www.chscontrols.se



FEATURES

- Single throw double pole snap switch.
- Cast marine brass construction.
- Heavy duty mounting pads.
- Silicone lubricant provided for cover screws and flange.
- Flame tight, close tolerance threaded switch stem.
- Available in 15 or 20 Amp units.

APPLICATIONS

- Class I Division 1 explosive atmospheres
- Alarm/warning indication
- Marine and watertight requirements
- Oil and gas exploration and production
- Fuel dispensing facilities

APPROVALS

- Class I Divisions 1 & 2 Groups C & D
- Conforms to IP66
- ABS

STANDARDS

- UL 698 - Industrial Control Equipment for Hazardous Locations
- UL 98 - Enclosed and Dead Front Switches

TECHNICAL SPECIFICATIONS

BOX/COVER

Cast marine brass.

SWITCH STEM

Free machining brass.

HARDWARE

Stainless steel.

ENTRIES

Standard one 1/2" NPT outlet. Up to four 3/4" NPT outlets available. See ENTRY OPTIONS for selections.

SWITCHES

Spring loaded double pole single throw.

VOLTAGE AND CURRENT

EP833:

15 Amp 125v AC
10 Amp 24v DC
2 Amp 125v DC

EP834:

20 Amp 600v AC
15 Amp 24v DC
5 Amp 125v DC

MOUNTING

Surface, via four 11/32" mounting bolts (not included).

ORDERING REFERENCES

PART NUMBER	DESCRIPTION	WEIGHT LBS
EP833	15 Amp 120v AC	10.0
EP834	20 Amp 600v AC	10.0

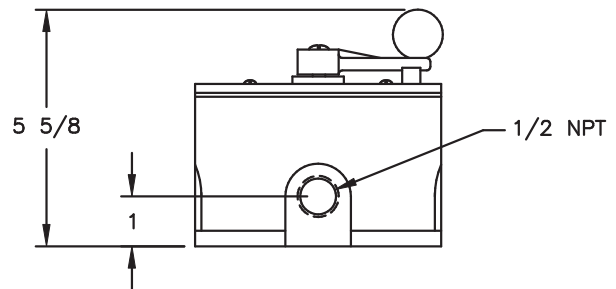
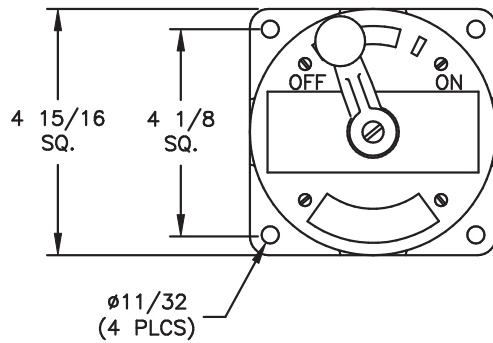
ENTRY OPTIONS

NPT Trade Size	Dead End	Thru Feed	90 Degree	X-Positions
1/2"	Std	C1	L1	X1
3/4"	E2	C2	L2	X2

SPARE PARTS

Part No.	Description
INX6040B	BOX
INX8017B	HANDLE
GKT1041	"O" RING
INX3058	INTERIOR SWITCH, EP833
INX3118EP	INTERIOR SWITCH, EP834

DIMENSIONS



EP833/EP834

Dimensions in inches

NOTES

MARINE WIRING DEVICES

Junction Boxes

ProJbx Watertight	ProFbx Watertight	XPFJbx Explosionproof
504/518/527/545/mw - Pg. 486 	572/mw - Pg. 500 	EPJ 505/mw - Pg. 502 
574/mw - Pg. 488 		
562/571/mw - Pg. 490 		
559/568/mw - Pg. 492 		
568/580/mw - Pg. 494 		
581/592/mw - Pg. 496 		
546/556/mw - 498 		

Pro

ProJbx

504/518/527/545/mw



FEATURES

- Surface mounted round junction boxes.
- Heavy wall construction.
- Cast marine brass or copper free aluminum construction.
- One piece gasket provides a watertight seal.
- Two heavy duty mounting pads.
- Suitable for field drilling and tapping.
- Internal grounding lug with cup washer for stranded wiring.



CHS Controls AB
Tel +46 42 38 61 00, Fax +46 42 38 61 29
chs@chscontrols.se www.chscontrols.se

APPLICATIONS

- Marine and watertight requirements

APPROVALS

- Conforms to IP66
- ABS

TECHNICAL SPECIFICATIONS

BOX/COVER

Box	Cover
Cast marine brass	Half hard yellow brass
Copper free aluminum	5052H32 aluminum

HARDWARE

Stainless steel.

ENTRIES

Standard units undrilled. Up to 1½" NPT. See ENTRY OPTIONS for selections.

MOUNTING

Surface, via two mounting bolts (not included).

518 & 504 ¼" maximum

527 & 545 ⅝" maximum

GASKET

518 & 504 one piece neoprene

527 & 545 one piece silicone

ORDERING REFERENCES

BRASS	DIMENSIONS	WEIGHT LBS
504B	3" Ø x 1½"	1.8
518B	2½" Ø x 1½"	1.3
527B	4" Ø x 2"	3.5
545B	4" Ø x 3"	5.3

ALUMINUM	DIMENSIONS	WEIGHT LBS
504A	3" Ø x 1½"	0.7
527A	4" Ø x 2"	1.4
545A	4" Ø x 3"	2.2

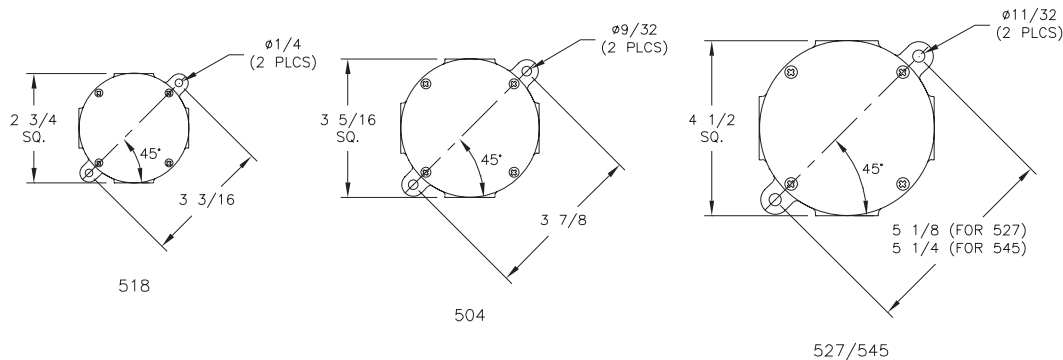
ENTRY OPTIONS

Versions	NPT Trade Size	Dead End	Thru Feed	90 Degree	X-Positions
504/518/527/545	1/2"	E1	C1	L1	X1
504/527/545	3/4"	E2	C2	L2	X2
527/545	1"	E3	C3	L3	X3
545	1 1/2"	E5	C5	L5	X5

SPARE PARTS

Part No.	Description
INX6513-1B	BRASS COVER & GASKET SETS, 504B
INX6598B	BRASS COVER & GASKET SETS, 518B
INX6570B	BRASS COVER & GASKET SETS, 527B/545B
INX6513-1A	ALUMINUM COVER & GASKET SETS, 504A
INX6570A	ALUMINUM COVER & GASKET SETS, 527A/545A
GKT3001	GASKET, 504
GKT2004	GASKET, 518
GKT3000SIL	GASKET, 527/545

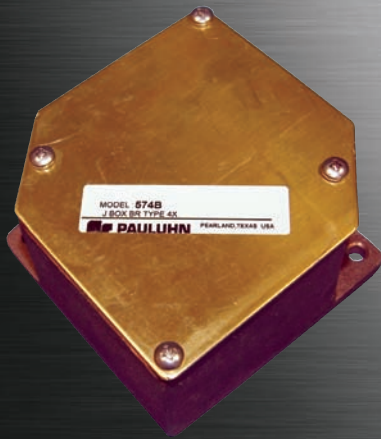
DIMENSIONS



Dimensions in inches

Pro

ProJbx 574/mw



FEATURES

- Surface mounted junction boxes.
- Heavy wall construction.
- Cast marine brass or copper free aluminum construction available.
- Neoprene gasket resists petroleum and provides a watertight seal.
- Two heavy duty mounting pads.
- Factory installed terminal block available.
- Suitable for field drilling and tapping.
- Internal grounding lug with cup washer for stranded wiring.



CHS Controls AB
Tel +46 42 38 61 00, Fax +46 42 38 61 29
chs@chscontrols.se www.chscontrols.se

APPLICATIONS

- Marine and watertight requirements

APPROVALS

- Conforms to IP66
- ABS

TECHNICAL SPECIFICATIONS

BOX/COVER

Box	Cover
Cast marine brass	Half hard yellow brass
Copper free aluminum	5052H32 aluminum

HARDWARE

Stainless steel.

ENTRIES

Standard units undrilled. Up to 1" NPT through feed available. See ENTRY OPTIONS for selections.

GASKET

One piece neoprene.

TERMINAL BLOCK

(wire binding screw type)

20 Amp, four pole, #12 through #22 AWG

30 Amp, four pole, #10 AWG using lugs

MOUNTING

Surface, via two maximum 1/4" mounting bolts (not included).

ORDERING REFERENCES

BRASS	DESCRIPTION	WEIGHT LBS	DEPTH
574B	Junction Box	4.3	2 ³ / ₁₆ "
574BT4	With 4 Pole Terminal Block	4.5	2 ³ / ₁₆ "
574BT6	With 6 Pole Terminal Block	4.5	2 ³ / ₁₆ "

ALUMINUM	DESCRIPTION	WEIGHT LBS	DEPTH
574A	Deep Junction Box	1.7	2 ³ / ₁₆ "
574AT4	With 4 Pole Terminal Block	1.8	2 ³ / ₁₆ "
574AT6	With 6 Pole Terminal Block	1.8	2 ³ / ₁₆ "

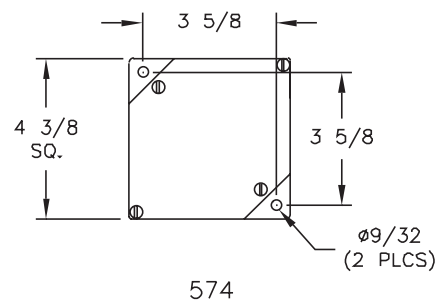
ENTRY OPTIONS

NPT Trade Size	Dead End	Thru Feed	90 Degree	X-Positions
1/2"	E1	C1	L1	X1
3/4"	E2	C2	L2	X2
1"	E3	C3	L3	X3

SPARE PARTS

Part No.	Description
INX6653B	BRASS BOX COVERS AND GASKETS, 574B
INX6653A	ALUMINUM BOX COVERS AND GASKETS, 574A
GKT4002	GASKET, 574
CX3070	TERMINAL BLOCKS, 4 Pole
CX3076	TERMINAL BLOCKS, 6 Pole

DIMENSIONS



Dimensions in inches

Pro

ProJbx 562/571/mw



FEATURES

- Surface mounted round terminal boxes.
- Heavy wall construction.
- Cast marine brass construction available.
- Neoprene gasket resists petroleum and provides a watertight seal.
- Two heavy duty mounting pads.
- Choice of threaded or flat cover design.
- Suitable for field drilling and tapping.
- Internal grounding lug with cup washer for stranded wiring.



CHS Controls AB
Tel +46 42 38 61 00, Fax +46 42 38 61 29
chs@chscontrols.se www.chscontrols.se

APPLICATIONS

- Marine and watertight requirements
- Oil and gas exploration and production

APPROVALS

- Conforms to IP66
- ABS

TECHNICAL SPECIFICATIONS

HOUSING

Cast marine brass or copper free aluminum.

COVER

562 - Cast marine brass or copper free aluminum.

571 - Half hard yellow brass or copper free aluminum

HARDWARE

Stainless steel.

GASKET

One piece neoprene.

TERMINAL BLOCK

(wire binding screw type)

20 Amp, 4/6 pole, #12 through #22 AWG

30 Amp, 4/6 pole, #10 AWG using lugs

MOUNTING

Surface, via two mounting bolts (not included).

562 - 1/4" maximum

571 - 5/16" maximum

ENTRIES

Standard undrilled. Up to four 1/2" NPT outlets available. See ENTRY OPTIONS for selections.

VOLTAGE

Rated 300v max selections.

ORDERING REFERENCES

BRASS	DESCRIPTION	WT LBS	DEPTH
562BT4	With 4 Pole T-Block	3.8	2 $\frac{3}{8}$ "
562BT6	With 6 Pole T-Block	3.8	2 $\frac{3}{8}$ "
571BT4	Flat Cover w/4 Pole T-Block	3.8	2"
571BT6	With 6 Pole T-Block	3.8	2"

ALUMINUM	DESCRIPTION	WT LBS	DEPTH
562AT4	With 4 Pole T-Block	1.5	2 $\frac{3}{8}$ "
562AT6	With 6 Pole T-Block	1.5	2 $\frac{3}{8}$ "
571AT4	Flat Cover w/4 Pole T-Block	1.5	2"
571AT6	With 6 Pole T-Block	1.5	2"

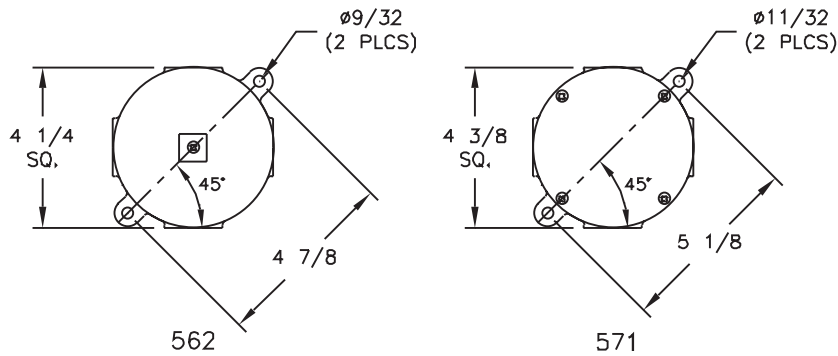
ENTRY OPTIONS

NPT Trade Size	Dead End	Thru Feed	90 Degree	X-Positions
1/2"	E1	C1	L1	X1
3/4"	E2	C3	L3	X3
1"	E3	C3	L3	X3

SPARE PARTS

Part No.	Description
GKT6015	COVER GASKET, 562
GKT3000SIL	COVER GASKET, 571
CX3070	TERMINAL BLOCK, 4 Pole
CX3076	TERMINAL BLOCK, 6 Pole

DIMENSIONS



Dimensions in inches

Pro

ProJbx 559/568/mw



FEATURES

- Surface mounted junction boxes.
- Heavy wall construction.
- Cast marine brass construction available.
- Neoprene gasket resists petroleum and provides a watertight seal.
- Four heavy duty mounting pads.
- Suitable for field drilling and tapping.



CHS Controls AB
Tel +46 42 38 61 00, Fax +46 42 38 61 29
chs@chscontrols.se www.chscontrols.se

APPLICATIONS

- Marine and watertight requirements
- Oil and gas exploration and production

APPROVALS

- Conforms to IP66
- ABS

TECHNICAL SPECIFICATIONS

BOX/COVER

Cast marine brass or copper free aluminum.

HARDWARE

Stainless steel.

GASKET

One piece neoprene.

ENTRIES

Standard undrilled. Up to 1½" NPT outlets can be supplied. Please state requirements on application.

MOUNTING

Surface, via four maximum 5/16" mounting bolts (not included).

ORDERING REFERENCES

BRASS	WT LBS	ALUMINUM	WT LBS	DEPTH
559B	20.0	559A	8.0	6"
568B	12.5	568A	5.0	3"

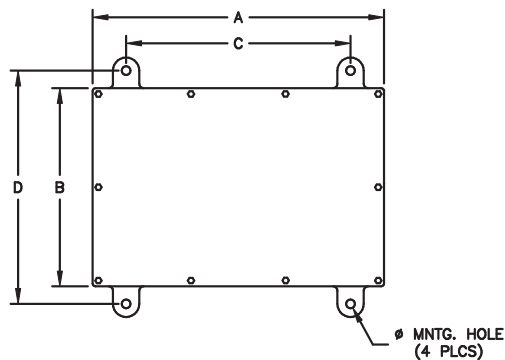
ENTRY OPTIONS

NPT Trade Size	Dead End	Thru Feed
1/2"	E1	C1
3/4"	E2	C2

SPARE PARTS

Part No.	Description
INX6809B	COVERS AND GASKET, Brass Box, 559B
INX6802B	COVERS AND GASKET, Brass Box, 568B
INX6809A	COVERS AND GASKET, Aluminum Box, 559A
INX6802A	COVERS AND GASKET, Aluminum Box, 568A
GKT4007	GASKET, 559
GKT5004	GASKET, 568

DIMENSIONS



Dimensions in inches

Part No.	A	B	C	D	Mntg Hole	Depth
559	8 1/8"	8 1/8"	6 3/16"	8 1/8"	3/8"	6"
568	7 1/2"	5 5/8"	6 13/16"	6 3/8"	3/8"	3"

Pro

ProJbx 568/580/mw



FEATURES

- Surface mounted rectangular terminal boxes.
- Heavy wall construction.
- Cast marine brass construction available.
- Neoprene gasket resists petroleum and provides a watertight seal.
- Heavy duty mounting pads.
- Suitable for field drilling and tapping.



CHS Controls AB
Tel +46 42 38 61 00, Fax +46 42 38 61 29
chs@chscontrols.se www.chscontrols.se

APPLICATIONS

- Marine and watertight requirements
- Oil and gas exploration and production

APPROVALS

- Conforms to IP66
- ABS

TECHNICAL SPECIFICATIONS

BOX/COVER

Cast marine brass or copper free aluminum.

HARDWARE

Stainless steel.

GASKET

One piece neoprene.

ENTRIES

Standard undrilled. Please state requirements on application.

568 - Up to 1½" NPT

580 - Up to 1" NPT

MOUNTING

568 - Surface, via four ⅜" mounting bolts (not included).

580 - Surface, via two ¼" mounting bolts (not included).

TERMINAL BLOCK

(wire binding screw type)

568 - 30 Amp Ratings

30 Amp, 10 pole, #10 through #14 AWG

30 Amp, 10 pole, #10 through #16 AWG using lugs

580 - 20 Amp Ratings

20 Amp, 4 pole, #12 through #22 AWG

30 Amp, 4 pole, #10 AWG using lugs

ORDERING REFERENCES

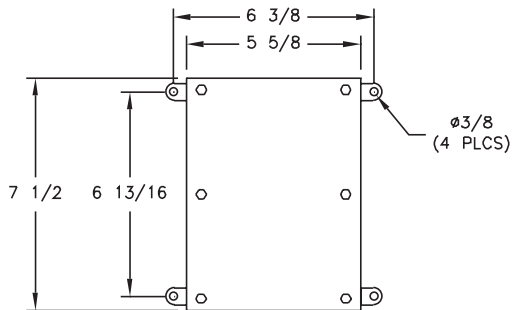
BRASS	DESCRIPTION	WT LBS	DEPTH
568BT10	With a 10 Pole T-Block	12.0	3¼"
580BT12	With Three 4 Pole T-Blocks	5.8	2"

ALUMINUM	DESCRIPTION	WT LBS	DEPTH
568AT10	With a 10 Pole T-Block	4.8	3¼"

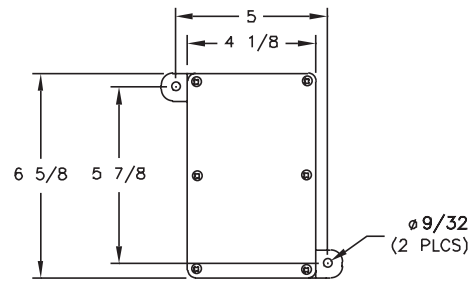
SPARE PARTS

Part No.	Description
INX3079	TERMINAL BLOCKS, 568
CX3070	TERMINAL BLOCKS, 580
GKT5004	GASKET, 568
GKT5003	GASKET, 580

DIMENSIONS



568



580

Dimensions in inches

Pro

ProJbx 581/592/mw



FEATURES

- Surface mounted junction boxes.
- Heavy wall construction.
- Hinged, removable cover for ease of field maintenance.
- Cast marine brass construction.
- Neoprene gasket resists petroleum and provides a watertight seal.
- Four heavy duty mounting pads.
- Suitable for field drilling and tapping.



CHS Controls AB
Tel +46 42 38 61 00, Fax +46 42 38 61 29
chs@chscontrols.se www.chscontrols.se

APPLICATIONS

- Marine and watertight requirements
- Oil and gas exploration and production

APPROVALS

- Conforms to IP66
- ABS

TECHNICAL SPECIFICATIONS

HOUSING

Cast marine brass.

HARDWARE

Stainless steel.

GASKET

One piece neoprene.

ENTRIES

Standard undrilled. Up to 1½" NPT outlets can be supplied. Please state requirements on application.

TERMINAL BLOCK

(wire binding screw type)

20 Amp Ratings

20 Amp, 13 pole, #12 through #22 AWG

30 Amp, 13 pole, #10 AWG using lugs

30 Amp Ratings

30 Amp, 10 pole, #10 through #14 AWG

30 Amp, 10 pole, #10 through #16 AWG using lugs

MOUNTING

Surface, via four mounting bolts (not included).

581 - 5/16" maximum

592 - 3/8" maximum

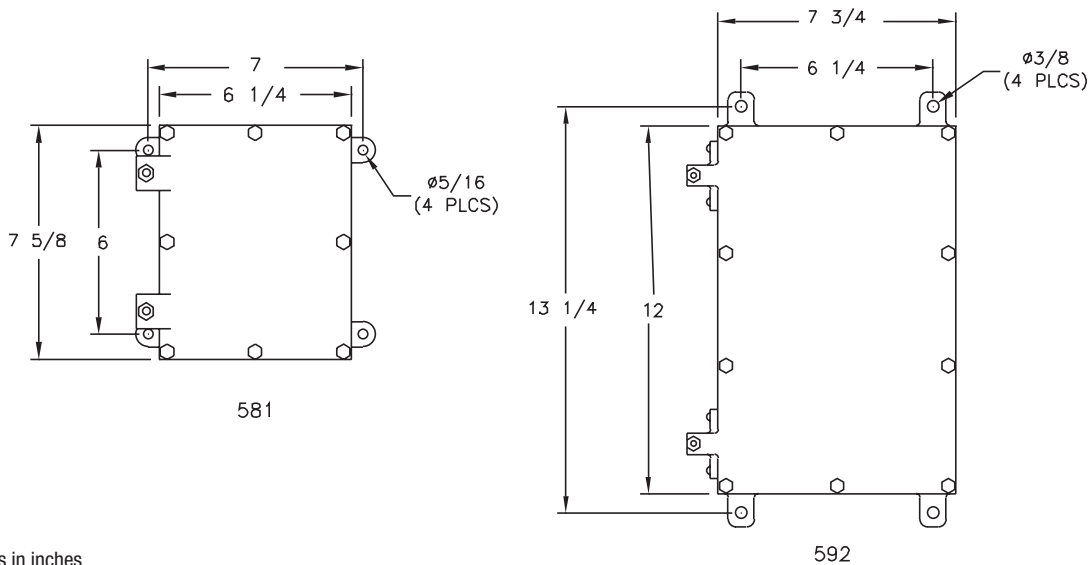
ORDERING REFERENCES

BRASS	DESCRIPTION	WEIGHT LBS	DEPTH
581B	Junction Box Only	16.5	4"
592B	Junction Box Only	25.8	4"
581BT20	30 Amp 20 Pole Terminal Box	18.3	4"
581BT26	20 Amp 26 Pole Terminal Box	18.3	4"
592BT40	30 Amp 40 Pole Terminal Box	27.0	4"
592BT52	20 Amp 52 Pole Terminal Box	27.3	4"
592BT60	20 Amp 60 Pole Terminal Box	27.5	4"

SPARE PARTS

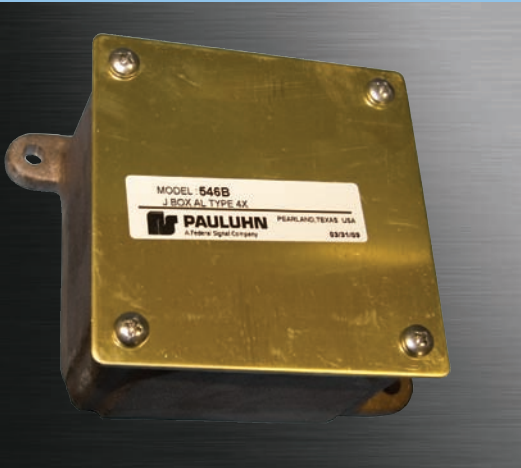
Part No.	Description
INX3078	TERMINAL BLOCK, 20 Amp 13 Pole
INX3079	TERMINAL BLOCK, 30 Amp 10 Pole
GKT5000	GASKET, 581
GKT5010	GASKET, 592

DIMENSIONS



Pro

ProJbx 546/556/mw



FEATURES

- Surface mounted junction boxes.
- Heavy wall construction.
- Cast marine brass construction.
- Neoprene gasket resists petroleum and provides a watertight seal.
- Two heavy duty mounting pads.
- Suitable for field drilling and tapping.
- Internal grounding lug with cup washer for stranded wiring.



CHS Controls AB
Tel +46 42 38 61 00, Fax +46 42 38 61 29
chs@chscontrols.se www.chscontrols.se

APPLICATIONS

- Marine and watertight requirements

APPROVALS

- Conforms to IP66
- ABS

TECHNICAL SPECIFICATIONS

BOX

Cast marine brass.

COVER

Half hard yellow brass.

HARDWARE

Stainless steel.

ENTRIES

Standard units undrilled. Up to 1" NPT through feed available. See ENTRY OPTIONS for selections.

GASKET

One piece neoprene.

MOUNTING

Surface, via two maximum 1/4" mounting bolts (not included).

ORDERING REFERENCES

PART NUMBER	WEIGHT LBS	DEPTH
546B	3.5	2"
556B	5.5	2"

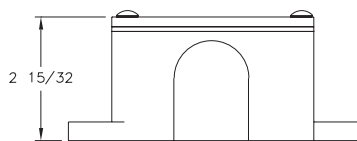
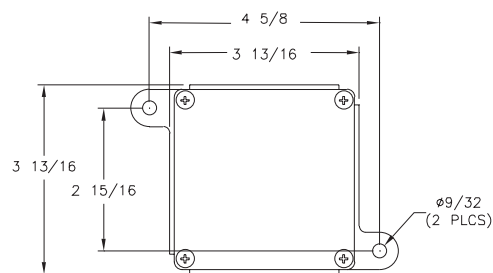
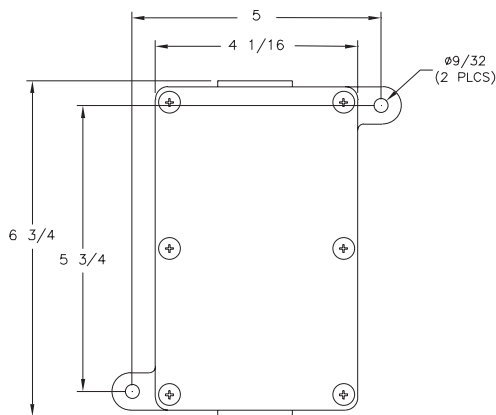
ENTRY OPTIONS

NPT Trade Size	Dead End	Thru Feed
1/2"	E1	C1
3/4"	E2	C2
1"	E3	C3

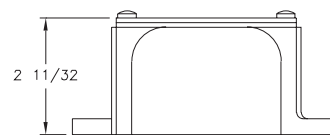
SPARE PARTS

Part No.	Description
INX6583B	BRASS BOX COVERS AND GASKET, 546B
INX6571B	BRASS BOX COVERS AND GASKET, 556B
GKT4001	GASKET, 546
GKT5003	GASKET, 556

DIMENSIONS



556



546

Dimensions in inches

Pro

ProFbx 572/mw



FEATURES

- Surface mounted round fuse or terminal boxes.
- Heavy wall construction.
- Cast marine brass or copper free aluminum construction available.
- Neoprene gasket resists petroleum and provides a watertight seal.
- Two heavy duty mounting pads.
- Flat cover design.
- Suitable for field drilling and tapping.
- Internal grounding lug with cup washer for stranded wiring.



CHS Controls AB
Tel +46 42 38 61 00, Fax +46 42 38 61 29
chs@chscontrols.se www.chscontrols.se

APPLICATIONS

- Marine and watertight requirements
- Oil and gas exploration and production

APPROVALS

- Conforms to IP66
- ABS

TECHNICAL SPECIFICATIONS

HOUSING

Cast marine brass or copper free aluminum.

COVER

Half hard yellow brass or copper free aluminum.

HARDWARE

Stainless steel.

GASKET

One piece neoprene.

FUSE BLOCK, MIDGET TYPE

General purpose, phenolic base rated 30 Amp maximum.
Fuses not provided.

MOUNTING

Surface, via two 5/16" maximum mounting bolts (not included).

ENTRIES

Standard undrilled. Up to four 1" NPT outlets available. See ENTRY OPTIONS for selections.

VOLTAGE

Rated 130v AC and DC.

ORDERING REFERENCES

BRASS	DESCRIPTION	WT LBS	DEPTH
572B	Flat Cover w/Fuse	3.8	2"

ALUMINUM	DESCRIPTION	WT LBS	DEPTH
572A	Flat Cover w/Fuse	1.5	2"

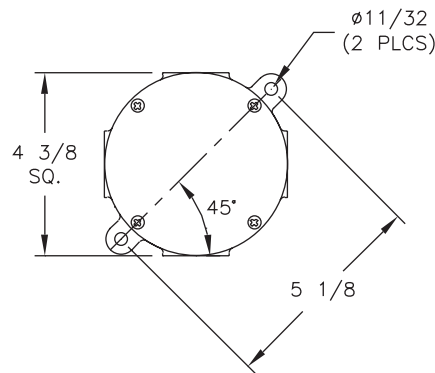
ENTRY OPTIONS

NPT Trade Size	Dead End	Thru Feed	90 Degree	X-Positions
1/2"	E1	C1	L1	X1
3/4"	E2	C2	L2	X2
1"	E3	C3	L3	X3

SPARE PARTS

Part No.	Description
INX3082	FUSE BLOCK
GKT3000SIL	COVER GASKET

DIMENSIONS



572

Dimensions in inches

XPF

XPFJbx EP J505/mw



FEATURES

- For locations where flammable gases are usually present.
- Hub sizes in 1/2", 3/4" or 1" NPT.
- Choice of one, two, three or four entries.
- Tool less entry via hand tabs or tooled via breaker bar.
- Internal grounding lug with cup washer for stranded wiring.
- Four heavy duty mounting pads.
- Neoprene gasket resists petroleum and provides a watertight seal.
- Optional 4 pole terminal block for up to #10 AWG.
- Cover included.



CHS Controls AB
Tel +46 42 38 61 00, Fax +46 42 38 61 29
chs@chscontrols.se www.chscontrols.se

APPLICATIONS

- Class I & II Division 1 explosive atmospheres
- Splice box or pull box
- Equipment and device enclosure
- Marine and watertight requirements
- Oil and gas exploration and production
- Fuel dispensing facilities
- Pipeline compressor/pumping & storage

APPROVALS

- Class I Divisions 1 & 2 Groups C & D
- Class II Divisions 1 & 2 Groups E, F & G
- Type 4X
- Conforms to IP66
- ABS

STANDARDS

- UL 886 - Outlet Boxes for Hazardous Locations

TECHNICAL SPECIFICATIONS

BOX/COVER

Cast marine brass or copper free aluminum. 15.4 internal cubic inches.

GASKET

One piece neoprene.

ENTRIES

One, two, three or four outlets, available in 1/2", 3/4" or 1" NPT.

TERMINAL BLOCK

(wire binding screw type)

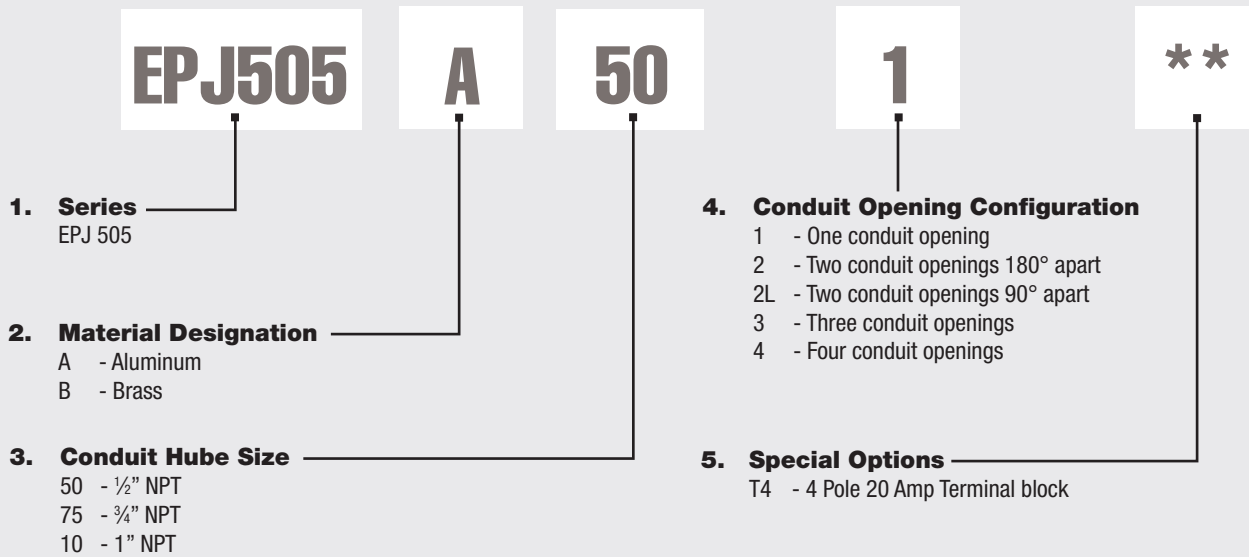
20 Amp, four pole, #12 through #22 AWG

30 Amp, four pole, #10 AWG using lugs

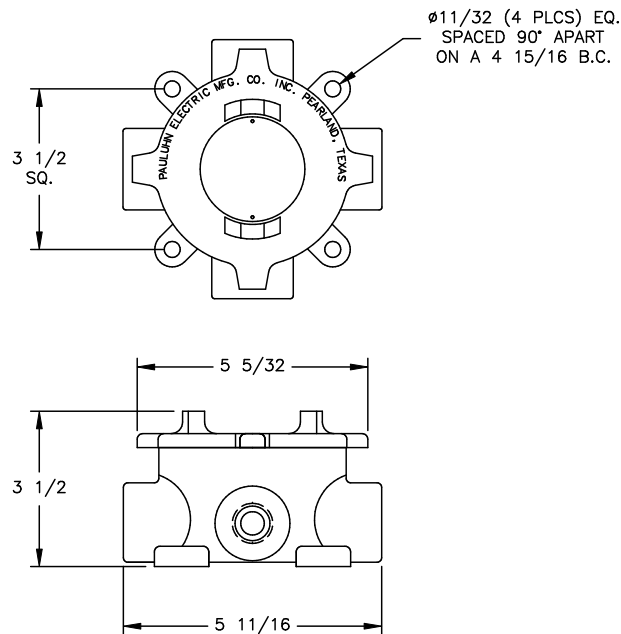
MOUNTING

Surface, via four maximum 5/16" mounting bolts (not included).

ORDERING REFERENCES



DIMENSIONS



Dimensions in inches

NOTES

ACCESSORIES

ProGland	Miscellaneous
<p>Grommet - Pg. 506</p> 	<p>Half Shades/Reflectors - Pg. 508</p> 
<p>Tube - Pg. 507</p> 	<p>NPT Pipe Plugs - Pg. 508</p> 
	<p>Beam Clamps - Pg. 509</p> 
	<p>Safety Cable - Pg. 509</p> 

Pro

Accessories ProGland Grommet



APPLICATIONS

- Marine and watertight requirements
- Oil and gas exploration and production
- Portable cords
- MV unarmored cable
- PLTC (round)/TC Cable
- SE and UF cable
- SO, SEO and SOW type cable

APPROVALS

- ABS
- Conforms to IP66

TECHNICAL SPECIFICATIONS

BODY/NUT

Free machining marine brass or copper free aluminum..

GROMMETS

Neoprene.

COMPRESSION WASHER

Nylon.

ORDERING REFERENCES

BRASS	ALUMINUM	DESCRIPTION	NPT SIZE	Ø BORE	GRIP RANGE
INX1502BCG	NX1502ACG	Cable Gland	1/2"	0.562	.312-.500
INX1506BCG	INX1506ACG	Cable Gland	3/4"	.750	.437-.750
INX1508BCG	INX1508ACG	Cable Gland	1"	1.00	.750-.937

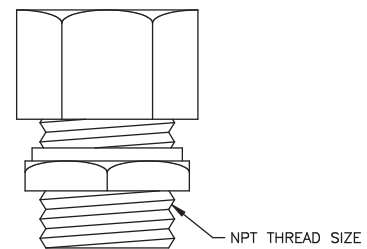
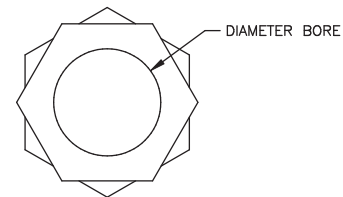
FEATURES

- Corrosive environment cable glands.
- Marine brass or copper free aluminum construction.
- Nylon compression washer for ease of installation.
- Complete with multiple grommets for a wide grip range.
- Hex nut design allows for easy tightening or loosening.
- Designed to grip cable and create a watertight seal around the cable entrance into a junction box or bulkhead.

SPARE PARTS

Part No.	Description
GKT7018	.312-.375, 1/2"
GKT7019	.375-.437, 1/2"
GKT7020	.437-.500, 1/2"
GKT7021	.437-.562, 3/4"
GKT7022	.562-.687, 3/4"
GKT7023	.687-.750, 3/4"
GKT7024	.750-.875, 1"
GKT7025	.812-.937, 1"

DIMENSIONS



CABLE GLAND

See ORDERING REFERENCES for details.

Pro

Accessories ProGland **TUBE**



CHS Controls AB
Tel +46 42 38 61 00, Fax +46 42 38 61 29
chs@chscontrols.se www.chscontrols.se

APPLICATIONS

- Marine and watertight requirements
- Oil and gas exploration and production
- Ship construction

APPROVAL

- ABS

TECHNICAL SPECIFICATIONS

BODY/PACKING & LOCK NUT/WASHER

Marine brass.

FLAX PACKING

Asbestos free, wax impregnated rovings. Sold separately.

FEATURES

- Marine brass construction.
- Through bulkhead types in three nipple lengths, supplied with locknuts.
- Constructed to conform to marine specifications for armored cable, rubber covered cable and flexible conduit.

STUFFING TERMINAL TUBES MALE AND FEMALE

TERMINAL TUBE	NIPPLE LENGTH	FEMALE TUBE	NPT SIZE	BORE SIZE
INX1500-M1	5/8"	INX1520-F1	3/8"	1/2"
INX1502-M2	5/8"	INX1522-F2	1/2"	5/8"
		INX1524-F3	3/4"	5/8"
INX1506-M4	5/8"	INX1526-F4	3/4"	3/16"
INX1508-M6	5/8"	INX1528-F6	1"	1 1/16"
INX1510-M8	5/8"	INX1530-F8	1 1/4"	1 3/8"
INX1512-M10	5/8"	INX1532-F10	1 1/2"	1 3/8"
INX1516-M12	5/8"	INX1536-F12	2"	2 1/16"
INX1518-M13	5/8"	INX1538-F13	2 1/2"	2 1/2"
INX1575-M14	1"	INX1576-F14	3"	3"
INX1577-M15	1 1/8"	INX1578-F15	3 1/2"	3 1/2"
INX1579-M16	1 1/4"	N/A	4"	4"

FLAX PACKING

Part No.	Size
CX8051-1/8	1/8"
CX8051-1/4	1/4"

THROUGH BULKHEAD STUFFING TUBES

TYPE A	NIPPLE LENGTH	TYPE B	NIPPLE LENGTH	TYPE C	NIPPLE LENGTH	NPS SIZE	BORE SIZE	CLEARANCE HOLE SIZE
INX1501-S1A	1 3/8"	INX1521-S1B	1 7/8"	INX1541-S1C	4 1/2"	3/8"	1/2"	5/8"
INX1503-S2A	1 3/8"	INX1523-S2B	1 7/8"	INX1543-S2C	4 1/2"	1/2"	5/8"	7/8"
		INX1525-S3B	1 7/8"	INX1545-S3C	4 1/2"	3/4"	3/4"	1 1/16"
INX1507-S4A	1 3/8"	INX1527-S4B	1 7/8"	INX1547-S4C	4 1/2"	3/4"	3/16"	1 1/16"
INX1509-S6A	1 1/2"	INX1529-S6B	2 1/8"	INX1549-S6C	4 9/16"	1"	1 1/16"	1 5/16"
INX1511-S8A	1 1/2"	INX1531-S8B	2 1/4"	INX1551-S8C	4 9/8"	1 1/4"	1 3/8"	1 11/16"
INX1513-S10	1 3/8"	INX1533-S10B	2 3/8"	INX1553-S10C	4 3/4"	1 1/2"	1 5/8"	1 15/16"
		INX1535-S11B	2 1/2"	INX1555-S11C	4 13/16"	2"	1 7/8"	2 1/16"
INX1517-S12A	1 3/4"	INX1537-S23B	2 1/2"	INX1557-S12C	4 13/16"	2"	2 1/16"	2 1/16"
INX1519-S13A	2"	INX1539-S13B	2 3/4"	INX1559-S13C	4 15/16"	2 1/2"	2 1/2"	2 7/8"
INX1573-S14A	2 1/4"	INX1574-S14B	3"	INX1560-S14C	5 1/8"	3"	3"	3 1/2"

Accessories

HALF SHADES/REFLECTORS



TECHNICAL SPECIFICATIONS

CONSTRUCTION

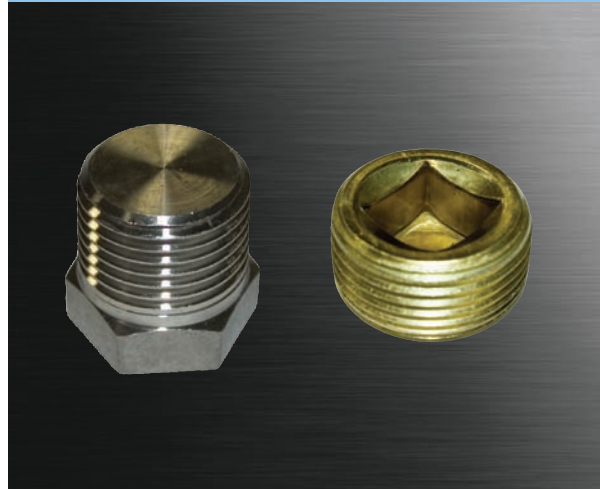
Half hard yellow brass or copper free aluminum.

ORDERING REFERENCES

BRASS	ALUMINUM	DESCRIPTION
INX4533B	INX4533A	6" Half Shade
INX4537B	INX4537A	7" Half Shade

Accessories

NPT PIPE PLUGS



TECHNICAL SPECIFICATIONS

CONSTRUCTION

Free machining brass, copper free aluminum or stainless steel.

ORDER REFERENCES

STAINLESS STEEL	BRASS	ALUMINUM	NPT SIZE
INX8051SS	INX8051B	INX8051A	1/2"
INX8052SS	INX8052B	INX8052A	3/4"
INX8053SS	INX8053B	INX8053A	1"
N/A	INX8054B	INX8054A	1 1/4"
N/A	INX8055B	INX8055A	1 1/2"

Accessories

BEAM CLAMPS



ORDERING REFERENCES

PART NUMBER	DESCRIPTION	JAW OPENING	MNTG HOLE	BOLT MNTG SIZE	SET SCREW SIZE
BC2J	Beam Clamp Kit (2)	7/8"	3/16"	1/4" - 20"	5/16" - 18"
BC2K	Beam Clamp Kit (2)	1"	5/16"	3/8" - 16"	1/2" - 13"
BC2L	Beam Clamp Kit (2)	1 3/8"	3/8"	1/2" - 13"	5/8" - 11"

Accessories

SAFETY CABLES



ORDER REFERENCE

PART NUMBER	DESCRIPTION
SC30H	48" Stainless Steel With Snap Hook

NOTES

Hazardous Area Reference, Classifications, and Enclosure Data

Pauluhn is a leading supplier of a wide range of specialized area lighting and power distribution products for harsh, hazardous, and corrosive environments. Markets include offshore and onshore drilling, shipbuilding, mining, petrochemical, food processing and other specialty industrial applications. We pride ourselves in offering innovative life cycle solutions, and have such confidence in our products that we back them fully.

This Technical Guide is provided by Pauluhn as a summary reference of hazardous locations, area classification and equipment standards. The material is not a substitute for professional engineering services. Consult Pauluhn for further information.

Hazardous Area Reference, Classifications, and Enclosure Data

Table of Contents

Important Notice Regarding T12 Electromagnetic Ballasts.....	iii
Hazardous Area Approvals and Standards:	
.....North America	iv
.....Europe and Rest of World.....	v
Classification of Hazardous Locations:	vi
.....“Division” Scheme, NEC 500-504 / CEC Existing Installations	vi
.....“Zone” Scheme, NEC 505 / CEC New Installations / IEC / CENELEC.....	vii
Hazardous Material Classifications:.....	viii
.....“Division” Scheme, NEC 500-504 / CEC Existing Installations	viii
.....Select Material and Auto-Ignition Temperatures °C	viii
.....“Zone” Scheme, NEC 505 / CEC New Installations / IEC / CENELEC.....	ix
2 Pole 3 Wire Receptacles Configuration	xiii
 Reference Tables	
.....T-Codes and Temperatures	x
.....Maximum External Temperature Allowed in North America.....	x
.....North American to IEC / CENELEC Area Classification and Grouping	x
.....NEMA and UL Enclosure Types.....	xi
.....Ingress Protection Enclosure Codes	xi
.....Standards For Luminaires	xii
.....Standards For Electrical Products (Other Than Luminaires)	xii

Important Notice

Regarding T12 Electromagnetic Ballasts

Effective July 1, 2005, the US Department of Energy mandated that ballast manufacturers no longer sell magnetic ballasts for F40T12 lamps to lighting manufacturers for installation into new luminaires. Pauluhn can no longer include the identified magnetic ballasts as an option in finished products. Pauluhn can, however:

- Provide F40T12 magnetic ballasts as replacements.
- Offer products that utilize F40T12 lamps, by utilizing high efficiency electronic ballasts.

In anticipation of the F40T12 watt lamp eventually becoming obsolete, we strongly recommend luminaires with F32T8 lamp types. The F32T8 watt lamp is rated for 20,000 hours and designed for 2,800 lumens, with a high efficiency electronic ballast rated to -20°F. This is a significant improvement over the F40T12 which has a similar hour and lumen rating, but is not designed for high efficiency.

Furthermore, consideration should be given to the fact that F20T12 lamps may be targeted by the DOE soon. We recommend using luminaires that utilize F17T8 lamp types. The F20T12 is rated for 9,000 hours and designed for 1,050 lumens, while the F17T8 is rated for 20,000 hours and designed for 1,300 lumens. The F17T8 is also rated to 0°F and uses high efficiency electronic ballast.

Please contact Pauluhn for further explanation of developing lighting regulations and standards.

LEGISLATION

The following excerpt is from the DOE Office of Energy Efficiency and Renewable Energy and has been passed into law in the Federal Register 9-19-2000. The entire document can be found at http://www.access.gpo.gov/su_docs/fedreg/a000919c.html

Office of Energy Efficiency and Renewable Energy

10 CFR Part 430 Energy Conservation Program for Consumer Products: Fluorescent Lamp Ballasts Energy Conservation Standards; Final Rule. Pages 56739–56749.

“When today’s standards go into effect, they will essentially require fluorescent lamp ballasts for F40 and F96 lamps to be the electronic type. The standards will segment the market into new applications and replacement applications and extend the implementation dates to mitigate the burdens to acceptable levels. The standards provide a phase-in period of approximately five years, until April 1, 2005 for new applications. In addition, today’s rule provides an additional phase in, until June 30, 2010 for ballasts intended for the replacement market. Replacement ballasts must be labeled for replacement use, have output leads which, when fully extended, are less than the length of the lamp it is intended to operate and be shipped in packages of ten or less.

Today’s rule exempts ballasts designed for residential applications, ballasts capable of being dimmed to 50 percent or less of its maximum output, and ballasts for use with two F96T12HO lamps at an ambient temperature of -20° F used with outdoor signs.”

Hazardous Area Approvals and Standards:

United States and Canada

The standards in United States and Canada are laid out in the following guidelines:

- **NEC** National Electric Code for the USA
- **CEC** Canadian Electric Code for Canada

In both countries these guides are accepted and used by most authorities as the final standard governing the installation and use of electrical products. Under NAFTA and other bilateral trade agreements the governments of the USA and Canada have recognized the need to harmonize these standards. As such, the two guides, with the addition of Article 505 to the NEC standard, are almost identical.

The NEC and CEC are standards only. Equipment is not tested or approved by the bodies that write these national standards. In the USA and Canada the governments have **recognized third party testing and approval agencies**. These agencies can be retained by manufacturers to test equipment to published standards. **The equipment tested and approved** by these agencies is then deemed suitable for use under **the NEC or CEC installation standards**.

In the USA the government agency responsible is OSHA (Occupational Health and Safety Administration). Self-certification by the manufacturer is permitted, most often indicated by use of the term “complies with.” Where independent third party approval is required by the installer or the authority having jurisdiction, OSHA has authorized a group of NRTL (Nationally Recognized Testing Laboratories), including:

- **CSA** Canadian Standards Association
- **ETL SEMKO** Division of Intertek Group PLC
- **FM** Factory Mutual Research Corporation
- **MET** MET Laboratories
- **UL** Underwriters Laboratories Inc.

In Canada the government agency responsible is the Standards Council of Canada. Self certification is not accepted by the inspection authorities in all provinces. The Standards Council of Canada has authorized a group of testing laboratories to certify equipment, including:

- **CSA** Canadian Standards Association
- **ETL SEMKO** Division of Intertek Group PLC
- **UL** Underwriters Laboratories Inc.
- **ULC** Underwriters Laboratories of Canada

In addition to these two government agencies, both countries have state, city, county inspectors that may or may not accept the national standards. At the time of this publication, UL and CSA have been accepted in both countries by all inspection authorities.

To confirm compliance to all national standards both countries require an additional indication on products tested and approved. As such, the majority of Pauluhn products carry one or more of the following marks:



ABS is a not-for-profit corporation whose mission is to serve the public interest as well as the needs of clients by promoting the security of life, property and the natural environment primarily through the development and verification of standards for the design, construction and operational maintenance of marine-related facilities. For more information visit the ABS website: www.eagle.org



CSA for the U.S. and Canada: A CSA mark with the indicators “C” and “US” or “NRTL/C” means that the product is certified for both the U.S. and Canadian markets, to the applicable U.S. and Canadian standards. If a product has features from more than one area, the mark indicates compliance to all applicable Standards. For more information visit the CSA website: www.csa-international.org



“SANITATION NSF/ANSI 2” means that the product is certified for the U.S. market to the requirements of the NSF/ANSI 2 standard. For more information visit the CSA website: www.csa-international.org



UL Listing Mark: If a product carries this Mark, it has been certified by Underwriters Laboratories to meet certain safety requirements. These requirements are primarily based on UL’s own published Standards for Safety. For more information visit the UL website: www.ul.com

Hazardous Area Approvals and Standards:

Europe and Rest of World

The standards used in most countries outside of the United States and Canada are as follows:

- **ATEX / CENELEC:** For all countries that are members of the EU (European Union).
- **IEC, NEC or CEC:** Depending on country, owner or constructor.

The IEC (International Electrotechnical Commission) has set broad standards for equipment and classification of areas. Numerous countries around the world, including the USA, are member nations of the IEC. However, membership in the IEC does not mean that the IEC standards supersede or take precedence over whatever standard may be adopted by the member country.

CENELEC is the EU rationalizing group that has used IEC standards as a basis and harmonized them with all EU member country's standards. All countries within the EU have governing bodies that can set additional standards for products and wiring methods.

CE The CE mark indicates a product meets all EU directives and conforms to IEC standards. This is normally a self certification. Evidenced by a manufacturer's certification of conformity.

Ex The Ex mark is used in addition to the CE mark to indicate products conform to the IEC standards for explosive gas atmospheres.

Normally one of the many 3rd party testing labs in the EU review explosion protected products and provide a 3rd party certificate of conformity. To clarify and make consistent 3rd party review and testing requirements, the EU passed ATEX directive 94/9/EC (1994). From July 1st, 2003, all Zone 0, 1 & 2 products sold in the EU must conform to ATEX requirements. All Zone 0 & 1 products must be 3rd party reviewed, tested and certified to CENELEC IEC standards. In addition, the ATEX directive requires that all production facilities be audited to confirm their QA program meets ATEX requirements. Zone 2 products are not subject to the ATEX audit requirement, but must still meet all CENELEC IEC standards and EC directives to be in compliance with ATEX requirements.

WIRING METHODS

Wiring methods vary by country, but most nations have adopted a version of either the North American NEC or CEC standard, or an IEC/CENELEC method specific to one of the following countries:

- **Britain** BSI Method
- **Germany** VDE Method
- **France** NFC Method

It should be noted that wiring methods change even under CENELEC, primarily as to the use of cable, armored cable, type of armored cable or conduit. Even standards can change within a given country depending on the location, owner, or constructor of the facility. The installer should exercise caution to ensure use of the correct wiring method.

IEC/CENELEC vs NEC/CEC

Hazardous area classification as defined by the IEC and/or CENELEC is not directly compatible with current hazardous area classification as defined by NEC/CEC.

- **IEC/CENELEC** Divides hazardous areas into "Zones" and lists product construction style suitable for those zones.
- **NEC/CEC** Defines an area based on level of the hazard and type. Together with other standards published by various testing laboratories, minimum construction requirements are determined for products to be used in hazardous areas.

Under IEC/CENELEC, the philosophy used to determine a zone area and enclosure acceptability is based on the term: normal operation. The NEC/CEC standards assume that abnormal conditions can and will occur and products must be designed to operate under these conditions. In addition, the "increased safety" method of protection used commonly in IEC/CENELEC Zone 1 areas allows a wire termination to be considered not a potential source of ignition. In an NEC/CEC Division 1 area, all wire terminations are considered to be potential sources of ignition and must be enclosed in an explosive proof enclosure. This is why a product that is suitable for Zone 1 in a CENELEC country might not be able to be used in a similar hazardous area in a country following NEC/CEC standards.

Classification of Hazardous Locations

“Division” Scheme, NEC 500-504 / CEC Existing Installations

Depending upon the nature and characteristics of the hazardous location, it can be classified appropriately according to definitions laid down in the NEC and CEC. These definitions are summarized as follows and can be found in more detail in the relevant standard.

A location determined to be hazardous falls into one of three Classes:

- **Class I** Potentially explosive gas or vapors.
- **Class II** Presence of combustible dust.
- **Class III** Presence of easily ignitable fibers or flyings.

Each Class when established is then further subdivided into one of two Divisions:

- **Division 1** Where the hazardous environment is expected to be present during normal operating conditions.
- **Division 2** Where the hazardous environment would be expected to be present only during abnormal conditions such as breakage, infrequent leakage or accidental rupture.

A summary of minimum construction requirements for electrical products by Class and Division:

Class I, Div. 1	Product must contain an explosion within its structure, regardless of whether what is contained in the enclosure is normally arcing or sparking. It can cease to operate, but it can not cause any damage external to itself.
Class I, Div. 2	Product must not be able to ignite any gas it can come in contact with during operation or when or if it fails. This includes any gas that may enter the interior of the product. A device that is normally arcing or sparking must be contained in an explosion proof enclosure. A device that is heat producing (for example, a lamp) or otherwise <u>not</u> normally arcing or sparking (for example, a wire connection) can be enclosed in a general purpose enclosure provided the heat generated does not exceed the auto ignition temperature of the gas..
Class II, Div. 1	Product must not cause the ignition of any dust that may be deposited on it, or in the surrounding atmosphere. In addition, no dust may penetrate the housing and deposit any material on the interior of the product.
Class II, Div. 2	Product must not cause the ignition of any dust that may be deposited on it, or in the surrounding atmosphere.
Class III	Product must not cause the ignition of any fiber that may be on it, or in the atmosphere around it. In addition, no fibers may penetrate the housing and deposit any material on the interior of the product.

Flammable materials are Grouped by explosion pressure and other characteristics. **Class I** gases are designated by one of four codes:

- **Group A** Acetylene only.
- **Group B** Hydrogen (most typical).
- **Group C** Ethylene and related products.
- **Group D** Propane and alcohol products.

Class II dusts are designated by one of three codes, based largely on the conductivity characteristics of the materials:

- **Group E** Metal dust.
- **Group F** Coal dust.
- **Group G** Grain and organic dust.

TEMPERATURE CODE

The temperature code (T-Code) is used to show the maximum temperature attained by the fixture at a given ambient temperature. Under the “Division” scheme there are **14** T-Codes. When specifying a luminaire the ignition temperature of the specific gas or dust in the hazardous location cannot be lower than the marked temperature of the fixture.

MARKING

Example: Class I Division 1, Group C

- **Class I** Explosive gas area.
- **Division 1** Gases normally present in explosive amounts. (Note: If product does not make reference to a Division, it is approved Division 1 and suitable for either Division).
- **Group CD** Device is suitable for Groups C & D, but not Groups A & B.
- **T-Code** Assumed T6. T6 is not required to be shown, as it is coolest rating.

Classification of Hazardous Locations

“Zone” Scheme, NEC 505 / CEC New Installations / IEC / GENELEC

Areas under the “Zone” scheme potentially containing explosive gas atmospheres are classified accordingly to gas groups I or II, and subdivisions A, B or C (see following pages for breakdown of all gas types):

- **Group I** Products intend for underground mines that are subject to firedamp (Methane Gas).
- **Group IIA** Hydrocarbon alkynes, alcohol products (less explosive concentrations and types).
- **Group IIB** Ethylene, compounds with nitrogen, oxygen and halogens (more explosive concentrations and types).
- **Group IIC** Acetylene, hydrogen, carbon disulfide (most explosive concentrations and types).

Each Group when established is then further subdivided into one of three Zones:

Zones and Accepted Protection Standards				
Zone 0	Ignitable concentrations of explosive gases, vapors, or liquids are continuously present or present for long periods of time	ia	Intrinsically Safe	Apparatus is incapable of releasing sufficient energy to cause an explosion.
		Zone 1	Ignitable concentrations of explosive gases, vapors, or liquids are likely to exist under normal operating conditions	ib
d	Flameproof			Apparatus enclosure is capable of containing an internal explosion.
e	Increased Safety			Apparatus in which arcs and sparks do not occur in normal service nor under fault conditions, and in which surface temperatures are controlled below incensive values.
o	Oil Immersion			Arcing devices immersed in oil.
p	Purged or Pressurized			A positive pressure differential is maintained between apparatus enclosure and surrounding atmosphere.
q	Powder/Sand Filling			Arcing devices are enclosed in a finely ground powder.
m	Encapsulation			Arcing devices are enclosed in a resin.
Zone 2	Ignitable concentrations of explosive gases, vapors, or liquids are not likely to be present in normal conditions and, if occurring, will exist only for a short period.	nC	Non-incensive	Device is hermetically sealed.
		nA	Non-Sparking	Device does not produce an arc in normal operating conditions.
		nR	Restricted Breathing	Enclosure is sealed and gasketed to prevent diffusion of explosive gases from the surrounding atmosphere into the enclosure.

The ATEX directive has its own Categories and levels of protection that match up to Zones:

ATEX Group II Categories and Applications				
Category	Design of Safety	Design Requirements	Application	Zone of Use
1	Very high level of safety	Two independent means of protection or safe with two separate faults	Where explosive atmospheres are present continuously or for lengthy periods	Zone 0
2	High level of safety	Safe with frequently occurring disturbances or with an operating fault	Where explosive atmospheres are likely to occur	Zone 1
3	Normal level of safety	Safe in normal operation	Where explosive atmospheres are likely to occur infrequently and be of short duration	Zone 2

TEMPERATURE CODE

As with the “Division” scheme, a T-Code is used to define the maximum operating temperature of a device. However, under the “Zone” scheme there are only 6 T-Codes compared to 14 under the “Division” scheme.

Classification of Hazardous Locations

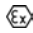
“Zone” Scheme, NEC 505 / CEC New Installations / IEC / CENELEC

continued

MARKINGS

Under the “Zone” Scheme, there are multiple marking systems depending on approval. Most countries outside of Europe and USA when using the “Zone” scheme follow either the EU (without ATEX marks) or Canadian system. All markings must be on a permanent label affixed the product. The marking systems are as follows:

ATEX (Europe):

- | | |
|--|--|
| A. Certificate Number : | This consists of the Certifying body’s unique ID code, followed by text “ATEX” followed by a numerical file number |
| B. ATEX Zone Conformance markings consisting of: | |
| 1. CE marking symbol: | CE |
| 2. ID of QA notifying body (Certifying lab) : | ***** |
| 3. EU Explosives atmosphere symbol: |  |
| 4. Equipment group: | I ~ Mines or II ~ Surface |
| 5. Equipment category: | M1 or M2 for mines, 1, 2, or 3 for Surface |
| 6. Flammability of substance: | G for Gas, D for Dust |

Additional EU Markings:

- | | |
|---|-----------------------------|
| A. Certification listing consisting of: | |
| 1. Conformity to CENELEC Standard : | E |
| 2. Explosion protected : | Ex |
| 3. Protection Method: any of the following: | ia, ib, d, e, o, p, q, m, n |
| 4. Gas Group: | IIC, IIB or IIA |
| 5. Temperature Class: | T1, T2, T3, T4, T5 or T6 |
| 6. Operating temperature range: | Expressed as #°C to #°C |

IEC (USA):

- | | |
|--|--|
| A. Approval agency mark | (one of the 6 recognized NRTL 3rd party certifying bodies) |
| B. Certification listings consisting of: | |
| 1. Flammability gas or vapor | Class I |
| 2. Area of classification | Zone 0, 1 or 2 |
| 3. Conformity to US Standards: | A |
| 4. Explosion protected: | Ex |
| 5. Protection Method: | any of the following: ia, ib, d, e, o, p, q, m, n |
| 6. Gas Group: | II, IIC, IIB or IIA |
| 7. Temperature Class: | T1, T2, T3, T4, T5 or T6 |

IEC (Canada):

- | | |
|--|--|
| A. Approval agency mark | (one of the 4 Standards Council of Canada certifying bodies) |
| B. Certification listings consisting of: | |
| 1. Explosion protected: | Ex |
| 2. Protection Method: | any of the following: ia, ib, d, e, o, p, q, m, n |
| 3. Gas Group: | II, IIC, IIB or IIA |
| 4. Temperature Class: | T1, T2, T3, T4, T5 or T6 |

Hazardous Material Classifications

“Division” Scheme, NEC 500-504 / CEC Existing Installations

Select Material and Auto-Ignition Temperatures C°

Class I (Explosive Gases)					
Group A		Group D			
Acetylene	305°C	Acetic acid (glacial)	464°C	Mesityl oxide	344°C
Group B		Acetone	465°C	Methane (natural gas)	537°C
Acrolein (inhibited)	220°C	Acrylonitrile	481°C	Methanol (methyl alcohol)	385°C
Arsine	NA	Ammonia	651°C	3-methyl-1-butanol (isoamyl alcohol)	350°C
Butadiene	420°C	Benzene	498°C	Methyl ethyl ketone	404°C
Ethylene oxide	429°C	Butane	287°C	Methyl isobutyl ketone	448°C
Hydrogen	500°C	1-butanol (butyl alcohol)	343°C	2-methyl-1-propanol (isobutyl alcohol)	415°C
Propylene oxide	449°C	2-butanol (secondary butyl alcohol)	405°C	2-methyl-2-propanol (tertiary butyl alcohol)	478°C
Propyl nitrate	175°C	N-butyl acetate	425°C	Octanes	206°C
Group C		Isobutyl acetate	421°C	Petroleum naphta	288°C
Ethylene	450°C	Sec-butyl alcohol	343°C	Pyridine	482°C
Ethylenimine	320°C	Di-isobutylene	391°C	Pentanes	260°C
Ethyl mercaptan	300°C	Ethane	472°C	1-pentanol (amyl alcohol)	300°C
Ethyl sulfide	NA	Ethanol (ethyl alcohol)	363°C	Propane	432°C
Hydrogen cyanide	538°C	Ethyl acetate	426°C	1-propanol (propyl alcohol)	412°C
Hydrogen sulfide	260°C	Ethylenediamine (anhydrous)	385°C	2-propanol (isopropyl alcohol)	399°C
Morpholine	310°C	Ethylene dichloride	413°C	Propylene	455°C
2-nitropropane	428°C	Gasoline (56-60 octane)	280°C	Styrene	490°C
Tetrahydrofuran	321°C	Hexanes	223°C	Toluene	480°C
unsymmetrical dimethyl hydrazine (udmh 1.1-dimethyl hydrazine)	249°C	Heptanes	204°C	Vinyl acetate	402°C
		Isoprene	395°C	Vinyl chloride	472°C
		Isopropyl ether	443°C	Xylenes (o-xylene)	463°C

Class II (Explosive Dusts)								
Group E			Group G					
Material	Cloud	Layer	Material	Cloud	Layer	Material	Cloud	Layer
Aluminum	650°C	760°C	Alfalfa	460°C	200°C	Wheat Flour	380°C	360°C
Magnesium	620°C	490°C	Cocoa	420°C	200°C	Cellulose Acetate	450°C	390°C
Titanium	330°C	510°C	Coffee	410°C	220°C	Ethyl Acetate	450°C	390°C
Zinc	630°C	430°C	Corn	400°C	250°C	Nylon	500°C	430°C
Bronze	370°C	190°C	Cornstarch	380°C	200°C	Polyethylene	450°C	380°C
Chromium	580°C	400°C	Malt	400°C	250°C	Polystyrene	560°C	---
Tin	630°C	430°C	Skim Milk	490°C	200°C	Epoxy	540°C	---
Cadmium	570°C	250°C	Rice	440°C	220°C	Polyurethane	550°C	390°C
Group F			Sugar	350°C	400°C	Cork	490°C	280°C
Coal (Pittsburgh Seam)	610°C	180°C	Wheat	480°C	220°C	Wood Flour (White Pine)	470°C	260°C

Class III (Explosive Fibers)		
Material	Cloud	Layer
Cotton Lint	520°C	---
Flax	430°C	230°C
Rayon	520°C	250°C

Hazardous Material Classifications

“Zone” Scheme, NEC 505 / CEC New Installations / IEC / GENELEC

Select Materials

Group II (Explosive Gases)					
Subdivision A			Subdivision B	Subdivision C	
Hydrocarbons Alkanes: Methane Ethane Propane Butane Pentane Hexane Heptane Octane Nonane Decane Cyclobutane Cyclopentane Cyclohexane Cycloheptane Methylcyclobutane Methylcyclopentane Methylcyclohexane Ethylcyclobutane Ethylcyclopentane Ethylcyclohexane Decahydronaphthalene (decaline) Alkenes: Propene (propylene) Aromatic hydrocarbons: Styrene Methylstyrene Benzene and its derivatives: Benzene Toluene Xylene Ethylbenzene Trimethylbenzene Naphthalene Cumene Cymene	Mixtures of hydrocarbons: Industrial methane Turpentine Petroleum naphtha Oil naphtha Petroleum (including petroleum spirits) Dry cleaning solvents Fuel oil Kerosene Gas-oil Benzole for cars Compounds containing oxygen: Oxides: (including ethers): Carbon monoxide Dipropyl ether Alcohols and phenols: Methanol Ethanol Propanol Butanol Pentanol Hexanol Heptanol Octanol Nonanol Cyclohexanol Methylcyclohexanol Phenol Cresol Diacetone-alcohol Aldehydes: Acetaldehyde Metaldehyde	Ketones: Acetone Ethyl-methyl ketone Propyl-methyl ketone Butyl-methyl ketone Amyl-methyl ketone 2,4-Pentanedione (acetylacetone) Cyclohexanone Esters: Methyl formate Ethyl formate Methyl acetate Ethyl acetate Propyl acetate Butyl acetate Amyl acetate Methyl methacrylate Ethyl methacrylate Vinyl acetate Ethyl acetylacetate Acids: Acetic acid Compounds containing halogens Compounds with no Oxygen: Chloromethane Chloroethane Bromoethane Chloropropane Chlorobutane Bromobutane Dichloroethane Dichloropropane Chlorobenzene Benzyl chloride Dichlorobenzene Allyl chloride Dichloroethylene	Chloroethylene (vinyl chloride) Benzyl trifluoride Methylene chloride Compounds containing Oxygen: Acetyl chloride Chloroethanol Compounds containing Sulphur: Ethyl mercaptan Propyl mercaptan Thiophene Tetrahydrothiophene Compounds containing Nitrogen: Ammonia Acetonitrile Nitromethane Nitroethane Amines: Methylamine Dimethylamine Trimethylamine Diethylamine Triethylamine Propylamine Butylamine Cyclohexylamine Monoethanolamine Diaminoethane Aniline Dimethylaniline Amphetamine Toluidine Pyridine	Hydrocarbons Allylene (Propyn) Ethylene Cyclopropane Butadiene Compounds containing Nitrogen: Acrylonitrile Isopropyl nitrate Hydrocyanic acide Compounds containing Oxygen: Methyl ether Ethylmethyl ether Ethyl ether Butyl ether Ethylene oxide (epoxyethane) Epoxy-propane Dioxolan Dioxin Trioxin Butyl hydroxyacetate Tetrahydrofurfuryl Methyl acrylate Ethyl acrylate Furane Crotonaldehyde Acrolien Tetrahydrofuran Mixtures: Gas from a coke furnace Compounds containing Halogens: Tetrafluoroethylene Propane, 1 chloro, 2,3 epoxy (epichlorohydrin)	Hydrogen Acetylene Carbon disulphide

Zone 21 (Explosive metallic dusts)

Magnesium & Aluminum

Metallic dusts with $R \leq 105 \text{ Ohms x cm}$

Zone 22 (Explosive non-metallic dusts)

Flour

Non-metallic dusts with $R < 105 \text{ Ohms x cm}$

T-Codes and Temperatures C°

Temperature in Celsius	"Division" Scheme Temperature Code	"Zone" Scheme Temperature Code
450°C	T1	T1
300°C	T2	T2
280°C	T2A	
260°C	T2B	
230°C	T2C	
215°C	T2D	
200°C	T3	T3
180°C	T3A	
165°C	T3B	
160°C	T3C	
135°C	T4	T4
120°C	T4A	
100°C	T5	T5
85°C	T6	T6

Note: Actual temperatures may be shown instead of T-codes.

Maximum External Temperature Allowed in North America

Area of Use	Temperature in Celsius
Class I Groups A, B, C & D	To be determined by gases present at the area of installation, and temperature rating of the product.
Class I Group C Surgical type fixture only	160°C
Class II, Groups E & F	200°C
Class II, Group G	165°C

NEC/CEC to IEC/CENELEC Area Classification

Classification Scheme	Continuously Hazardous	Frequently Hazardous	Hazardous Under Normal Conditions
"Division"	Division 1		Division 2
"Zone"	Zone 0	Zone 1	Zone 2

NEC/CEC to IEC/CENELEC Gas Grouping

Explosive Gas	"Division" Scheme	"Zone" Scheme
Acetylene only	A	IIC
Hydrogen (typical)	B	IIC OR IIB + H2
Ethylene and related products	C	IIB
Propane and alcohol products	D	IIA

NEMA and UL Enclosure Types

Note: In addition to being identified with one or more of the enclosure types shown below, an enclosure can be identified as **Type 7** (suitable for use in Class I hazardous locations) and/or **Type 9** (suitable for Class II hazardous locations).


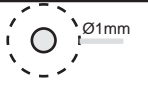
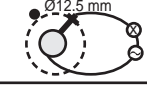

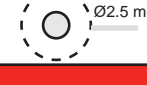

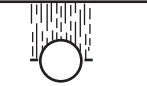
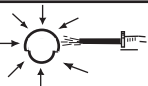

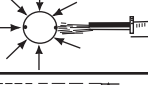




Comparison of Specific Non-hazardous Applications, INDOOR & OUTDOOR Locations														
Provide a Degree of Protection Against the Following Environmental Conditions	Type of enclosure													
	1*	2*	3	3R*	3S	4	4X	5	6	6P	11	12	12K	13
Corrosive agents							•			•	•			
Dust, lint, fibers and flyings**						•	•	•	•	•		•	•	•
Falling dirt	•	•	•	•	•	•	•	•	•	•	•	•	•	•
Falling liquids and light splashing		•				•	•		•	•	•	•	•	•
Hosedown and splashing water						•	•		•	•		•	•	•
Incidental contact with the enclosed equipment	•	•	•	•	•	•	•	•	•	•	•	•	•	•
Occasional temporary submersion									•	•				
Occasional prolonged submersion										•				
Oil and coolant seepage												•	•	•
Oil or coolant spraying and splashing														•
Rain, snow, and sleet			•	•	•	•	•		•	•				
Sleet					•									
Windblown dust			•		•	•	•		•	•				

* Enclosures may be ventilated.
** These fibers and flyings are non-hazardous materials and are not considered Class III type ignitable fibers or combustible flyings. For Class III type ignitable.

Ingress Protection Enclosure Codes

Combine First and Second Figures (e.g.: IP = 64)

Note: A zero (0) in either place means enclosure has no protection against of that material.

1 st Figure: Protection against solid bodies					
IP	Tests	Description	IP	Tests	Description
1		Protected against solid bodies larger than 50mm. (eg.: accidental contact with the hand)	4		Protection against solid bodies larger than 1mm (fine tools, small wires)
2		Protected against solid bodies larger than 12.5mm (eg.: finger of the hand)	5		Protected against dust (no harmful deposit)
3		Protected against solid bodies larger than 2.5mm (tools, wires)	6		Completely protected against dust
2 nd Figure: Protection against liquids					
IP	Tests	Description	IP	Tests	Description
1		Protected against vertically-falling drops of water. (condensation)	5		Protected against jets of water from all directions
2		Protected against drops of water falling up to 15° from vertical.	6		Completely protected against jets of water of similar force to heavy seas
3		Protected against drops of water falling up to 60° from vertical.	7		Protected against the effects of immersion
4		Protected against projections of water from all directions	8		Protected against prolonged immersion under specified conditions

Standards For Luminaires

STANDARD	DEFINITION
UL 844	Underwriters Laboratories' Standards for Electric Lighting Fixtures for use in Hazardous Locations.
UL 924	Underwriters Laboratories' Standards for Emergency Lighting and Power Equipment.
UL 1598	Underwriters Laboratories' Standard for Luminaires.
UL 1598A	Underwriters Laboratories' Supplemental Requirements for Luminaires for Installation on Marine Vessels.
UL 1638	Underwriters Laboratories' Standards for Safety Visual Signaling Appliances - Private Mode Emergency and General Utility Signaling.
Type 3	Dusttight, Raintight and Sleet(Ice) Resistant Outdoor - Enclosure intended for use outdoors to protect equipment against windblown dust and water. Not sleet(ice) proof. Has conduit hubs or equivalent provision for watertight connection, mounting means external to the equipment cavity, and provision for locking.
Type 3R	Rainproof and Sleet(Ice) Resistant Outdoor - Enclosure intended for use outdoors to protect equipment against rain and meet the requirements of Underwriters' Laboratories Publication No. UL 508, applying to "Rainproof Enclosures." They are not dust, snow, nor sleet(ice) proof. Has conduit hub or equivalent provision for watertight connection when the conduit enters at a level higher than the lowest live part, provision for locking, and provision for drainage. When completely and properly installed, enclosure prevents the entrance of rain at a level higher than the lowest live part.
Type 4	Watertight and Dusttight Indoor and Outdoor - Enclosure intended for use indoors or outdoors to protect equipment against splashing water, seepage of water, falling or hose directed water, and severe external condensation. Sleet resistant but not sleet(ice) proof. Has conduit hubs or equivalent provision for watertight connection and mounting means external to the equipment cavity.
Type 4X	Watertight, Dusttight and Corrosion Resistant, Indoor and Outdoor, Equipment enclosed to protect against windblown dust and rain, splashing water, seepage of water, falling or hose directed water, severe external condensation and corrosion resistance. The unit has mounting means external to equipment cavity.
NEMA 5	National Electrical Manufactures Association standard for dust tight - Indoor - Equipment to exclude dust.
CSA. C22.2	Canadian Standards Association standards similar to UL 844 and UL 1598.
ABS	American Bureau of Shipping Acceptance of equipment based on compliance or approval of the equipment to the applicable stated UL Standards above.

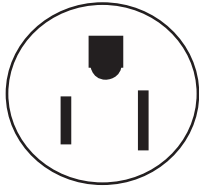
Standards For Electrical Products (Other Than Luminaires)

STANDARD	DEFINITION
UL 20	Underwriters Laboratories' standard for "General Use Snap Switches".
UL 98	Underwriters Laboratories' standard for "Enclosed Switches".
UL 489	Underwriters Laboratories' standard for "Circuit Breaker Enclosures".
UL498	Underwriters Laboratories' standard for "Electrical Attachment Plugs and Receptacles".
UL69	Underwriters Laboratories' standard for "Electrical Industrial Control Equipment for use in Hazardous Locations".
NEMA 1 (IP 11)	National Electrical Manufactures Association Standard for General Purpose – Indoor – Equipment enclosed to prevent accidental contact by personnel
NEMA 3 (IP 54)	National Electrical Manufactures Association Standard for Dust tight – Rain tight - Ice resistant – Outdoor – to protect the enclosed equipment against wind blown dust and water. The equipment shall have provision for locking.
NEMA 4X (IP 66)	National Electrical Manufactures Association Standard for water tight, dust tight and corrosion resistant – Indoor and Outdoor Equipment enclosed to protect against wind blown dust and rain, splashing water, seepage of water, falling or hose directed water, severe external to equipment cavity.
NEMA 7	National Electrical Manufactures Association Standard for Class 1 Hazardous Locations designed in accordance with the standard shown.
SEALS (NEC - 501-5 & 502-5)	Seals to prevent the propagation of flame down the supply conductor conduit may be required.

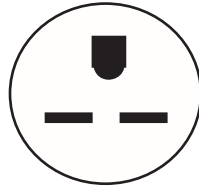
2 Pole 3 Wire Receptacle Configurations

NEMA BLADE CONFIGURATIONS

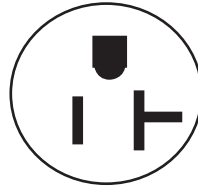
NEMA Codes for receptacle face configurations are shown below. These face configurations are designed to prevent damage to equipment by connection to incorrect amperage or voltage.



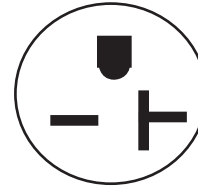
NEMA 5 - 15R
15A - 125V



NEMA 6 - 15R
15A - 250V



NEMA 5 - 20R
20A - 125V



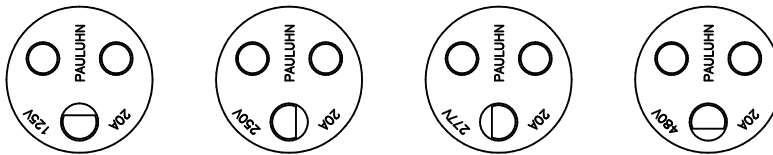
NEMA 6 - 20R
20A - 250V

The first numbers designates voltage e.g., 5 means 125 volts, 6 means 250 volts. The second set of digits designates amperage, 15 means 15 amps, 20 mean 20 amps. The letter suffix designates receptacle or plug, R means Receptacle, P means plug.

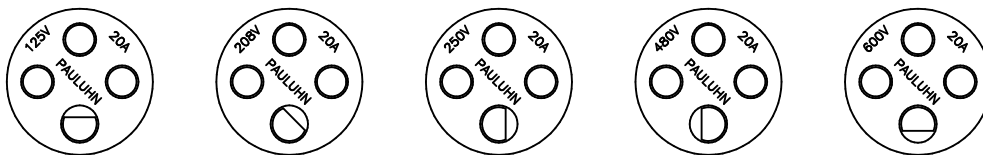
PAULUHN PIN AND SLEEVE CONFIGURATIONS

Pauluhn 20 and 30 amp round pin style units utilize keying designs to prevent voltage mismatch. The design for each step in amperage is such that only the appropriate Amperage and Voltage device can be used. Pauluhn receptacle configurations shown below.

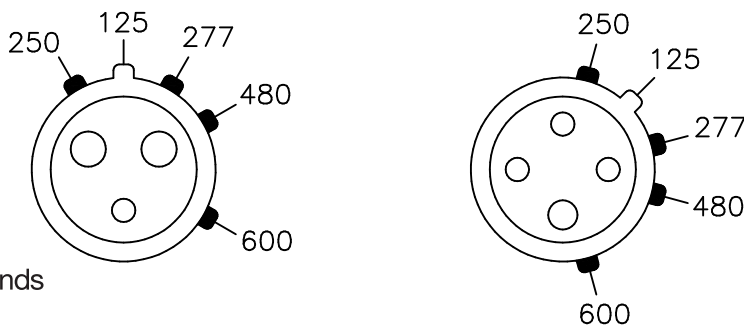
2 POLE 3 WIRE



3 POLE 4 WIRE



OPTIONAL VOLTAGE KEY WAY POSITIONS SHOWN





Notes



Notes

Notes

For more information:

If further assistance is required, please contact an authorized Cooper Crouse-Hinds Distributor, Sales Office, or Customer Service Department.

Cooper Crouse-Hinds (Global HQ)

Wolf & Seventh North Streets
Syracuse, NY 13221
(866) 764-5454
FAX: (315) 477-5179
crouse.customerctr@cooperindustries.com

Cooper Crouse-Hinds Pauluhn

1616 N Main St
Pearland, TX 77581
(281) 485-4311
FAX: (281) 485-4398
crouse.pauluhn@cooperindustries.com

Cooper Crouse-Hinds GmbH

Neuer Weg-Nord 49
Eberbach, Germany D-69412
49 (0) 6271 806-500
FAX: 49 (0) 6271 806-476
sales.cch.de@cooperindustries.com

**Cooper Crouse-Hinds
MTL Instruments**

Great Marlings, Butterfield
Luton UK LU2 8DL
+44 (0)1582 723633
FAX: +44 (0)1582 422283
enquiry@mtl-inst.com

**Cooper Crouse-Hinds
Airport Lighting**

1200 Kennedy Road
Windsor, CT 06095
(860) 683-4354
FAX: (860) 683-4354
chalptechsupport@cooperindustries.com

Cooper Crouse-Hinds Regional Offices

Canada:

800-265-0502
FAX: (800) 263-9504
FAX Orders only: (866) 653-0645

Canada (Pauluhn):

888-675-5483
crouse.pauluhn@cooperindustries.com

Mexico/Latin America/Caribbean:

52-555-804-4000
FAX: 52-555-804-4020
mxmercadotecnia@cooperindustries.com

www.crouse-hinds.com
www.pauluhn.com

Cooper Crouse-Hinds is a registered trademark
of Cooper Industries, Inc.
©2010 Cooper Industries, Inc.

UK:

+44 247-630-89 30
FAX: +44 247-630-10 27
sales@ceag-crouse-hinds.co.uk

Saudi Arabia:

966 3 812 2236
FAX: 966 3 812 1291

India:

91-124-4683888
FAX: 91-124-4683899
cchindia@cooperindustries.com

Brazil:

+55 15 3238 3970
FAX: +55 15 3238 3976
vendasbrasil@cooperindustries.com

Colombia:

+ (57.1) 670 0315
FAX: + (57.1) 670 0376
ventascic@cooperindustries.com

China:

86-21-2899-3600
FAX: 86-21-2899-4055
CCHsales@cooperindustries.com

Middle East (Dubai):

971 4 4272500
FAX: 971 4 4298521

Korea:

82 2 538 3425
FAX: 82 2 538 3505
CCHK-sales@cooperindustries.com

Singapore:

65-6297-4849
FAX: 65-6297-4819
chsi-sales@cooperindustries.com

Australia:

61-2-8787-2777
FAX: 61-2-9609-2342
CEAsales@cooperindustries.com

Your Authorized Cooper Crouse-Hinds Distributor is:



CHS Controls AB

Florettgatan 33
SE-254 67 Helsingborg, Sweden
Tel +46 42 38 61 00, Fax +46 42 38 61 29
chs@chscontrols.se
www.chscontrols.se

Cooper Industries, Ltd.
600 Travis, Ste. 5800
Houston, TX 77002-1001
P: 713-209-8400
www.cooperindustries.com