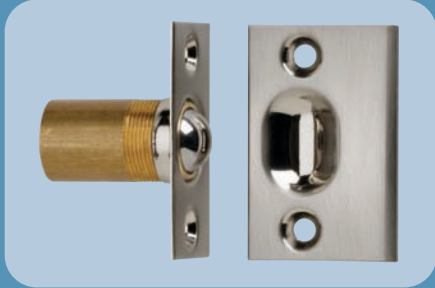
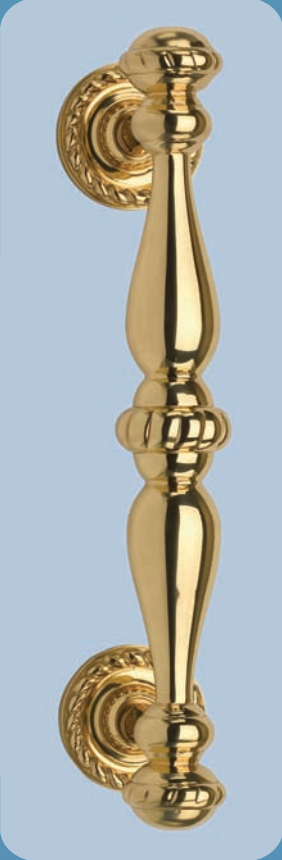


OMNIA



ARCHITECTURAL HARDWARE

Details...those distinctive touches which clarify and reinforce fine architecture and design. Omnia's dedication to detail is revealed in our latest selection of solid brass and stainless steel architectural hardware.

Each solid brass design is hand polished and highly buffed. A hard, transparent lacquer is then baked onto each piece. This special process retains the tradition of old world excellence, while employing the best available modern technology.

As functional as they are sophisticated in design, our stainless steel offerings are practical and require minimal care. They are made from the highest grade materials and are resistant to corrosion and tarnish.

The development and manufacture of all these pieces focuses on our straightforward goals: aesthetics, function and sensible pricing.

We think we've succeeded with each and every piece. From a simple flush pull to an ornate cremone bolt set, Omnia's architectural hardware is truly..."The elegant alternative."

Finish Codes	Description
US3	Polished Brass, Lacquered
US14	Polished Nickel Plated, Lacquered
US15	Satin Nickel Plated, Lacquered
US26	Polished Chrome Plated
US26D	Satin Chrome Plated
US32D	Satin Stainless Steel
MAX•BRASS	Max•Brass® PVD Plated
SB	Shaded Bronze, Lacquered

DOOR KNOCKERS

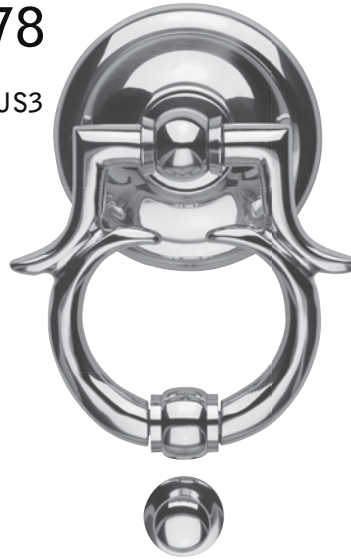
76

US3



78

US3



79

US3



76/60 2³/₄" cc. 5³/₈" oa. 2¹/₄" proj.

76/80 3⁵/₈" cc. 6¹/₂" oa. 2¹/₄" proj.

76/100 4⁵/₈" cc. 7⁵/₈" oa. 2¹/₄" proj.

78/70 3¹¹/₁₆" cc. 6¹/₈" oa. 1³/₄" proj.

78/90 4⁵/₈" cc. 7¹/₂" oa. 2⁵/₈" proj.

78/115 5³/₄" cc. 9¹/₄" oa. 2³/₄" proj.

79/60 2⁵/₈" cc. 5¹/₁₆" oa. 1³/₄" proj.

79/80 3³/₁₆" cc. 5⁷/₈" oa. 2⁵/₈" proj.

600

US3
MAX•BRASS



698

US3
MAX•BRASS



700

US3



600/100 3³/₈" cc. 5" oa. 1⁵/₈" proj.

600/125 4" cc. 6" oa. 2" proj.

698/100 3³/₈" cc. 5" oa. 1¹/₂" proj.

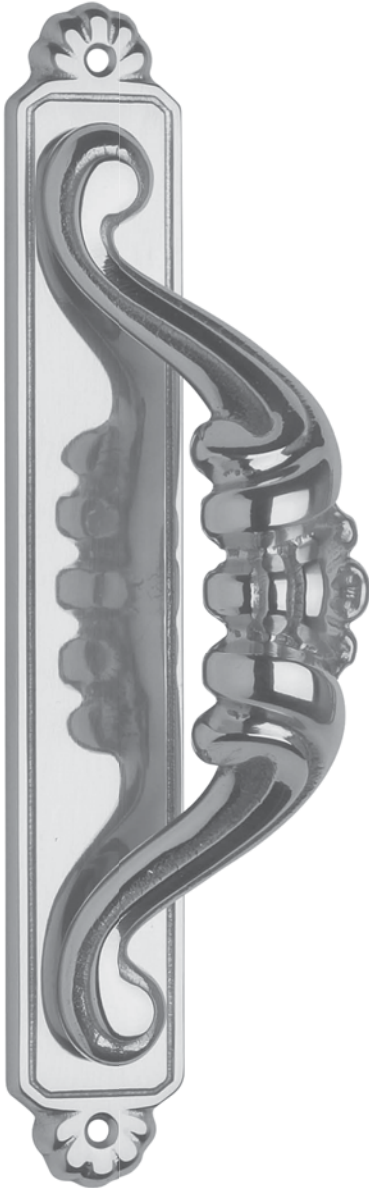
698/125 4" cc. 6" oa. 1⁷/₈" proj.

700 3⁵/₈" cc. 6¹/₂" oa. 2⁵/₈" proj.

DOOR PULLS

515

US3



518

US3
US26



523

US3
US15
VB
VC
VI

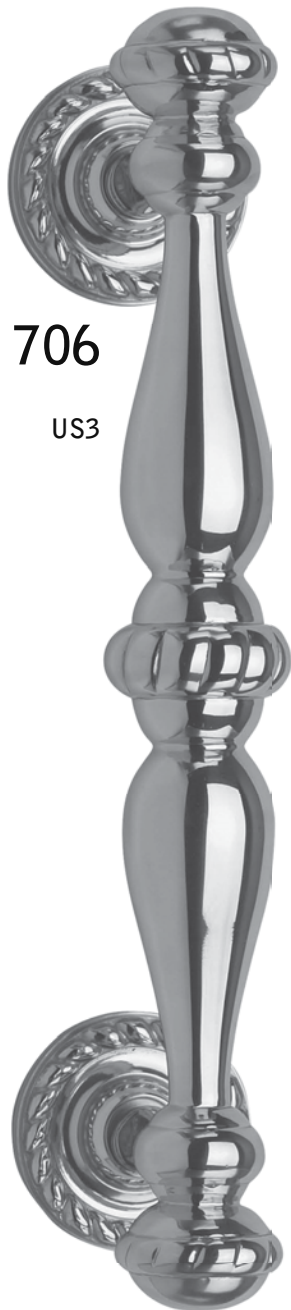


7³/₄" cc. 8¹/₂" oa. 2¹/₄" proj.

5" cc. 5⁷/₈" oa. 1⁷/₈" proj.

7¹/₄" cc. 8¹/₄" oa. 2" proj.

DOOR PULLS



706

US3



711

US3



2051

US3
VB
VC
VI



2052

US3

8¹/₄" cc. 11" oa.
3³/₈" proj.

7⁷/₈" cc. 10" oa.
2³/₄" proj.

8⁵/₈" cc. 10³/₈" oa.
2¹/₄" proj.

7¹/₈" cc. 8⁷/₈" oa.
2¹/₈" proj.

CREMONE BOLTS

432CR

US3



Set includes a knob with 5" x 1 1/2" x 1/2" cremone mechanism, a bottom rod of 40" and a top rod of 72", plus a set of three guides and two strikes. Specify either mortise, universal or endpiece strike.

752CR

US3



Furnished with lever and 5" x 1 1/4" x 1/2" cremone mechanism, a bottom rod of 40" and a top rod of 72", plus a set of three guides and two strikes. Specify either mortise, universal or endpiece strike.

123

US3



Mortise Strike

242

US3



Guide or Endpiece Strike

124

US3



Universal Strike

CREMONE BOLT - SLIDE BOLT

2057CR

US3

Furnished with knob and $7\frac{3}{16}'' \times 1\frac{1}{2}'' \times \frac{5}{8}''$ cremone mechanism, a bottom rod of 40'' and a top rod of 72'', plus a set of four guides (two large and two small), and two strikes (one endpiece strike and one mortise strike).



Endpiece Strike



Large Guide



Small Guide



123 Mortise Strike



4100
Slide Bolt

US3

SB



4100/B 14¹/₄'' oa. 1'' throw 1³/₄'' w

4100/D 10⁵/₈'' oa. 1'' throw 1³/₄'' w

FLANGES - HINGES - LATCHES

318A

US3
US26



Plain Edge

Available in 1" dia., 1¹/₄" dia. or 1¹/₂" dia.

320A

US3



Beaded Edge

Available in 1" dia., 1¹/₄" dia. or 1¹/₂" dia.

463

US3



7¹/₂" x 4"

Specify RH or LH

463P

US3

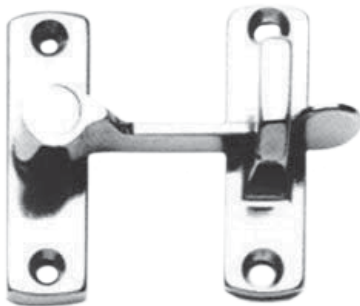


7¹/₂" x 4"

Specify RH or LH

156

US3
US26

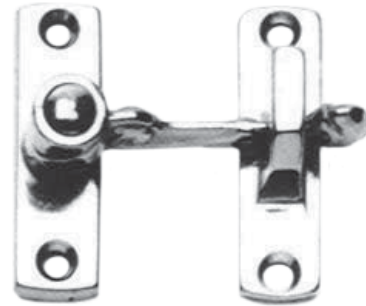


2" high, 2³/₈" lever

Not handed

156S

US3
US26



2" high, 2³/₈" lever (spring loaded)

Not handed

DECORATIVE HOOKS

208

US3
US26



2 1/2" x 2 7/16" base
5 3/16" x 2 5/8" proj.

210

US3
US26



3" x 3" proj.

212

US3
US26



1 5/8" x 1 5/16" proj.

213

US3
US26



1 1/2" x 3/4" proj.

215

US3
US26



3 1/2" x 1 3/4" base
4 5/16" proj.

1525

US3
US26



4 3/4" oa.
2 1/2" proj.

1535

US3
SB



6" oa.
3" proj.

CUP & FLUSH PULLS

652

US3
US10B
US15
US26
US26D



4³/₈" l x 1⁹/₁₆" w x 1¹/₂" d

653

US3
US15
US26



4" l x 1³/₄" w x 1¹/₂" d

654

US3
US14
US15
US26
SB



4" l x 1³/₄" w x 1¹/₂" d

4297

US3
SB



5³/₈" l x 1⁹/₁₆" w x 1¹/₂" d

7500

US32D



2⁹/₁₆" dia., 5⁵/₈" deep

7501

US32D



2" dia., 5⁵/₈" deep

7502

US32D



1³/₈" dia., 1¹/₂" deep

7503

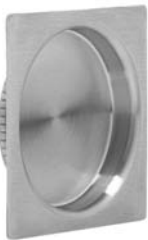
US32D



2³/₈" dia., 3³/₈" deep

7504

US32D



2³/₈" square, 3³/₈" deep

7505

US32D



4³/₄" l x 1⁹/₁₆" w x 1¹/₂" d

7506

US32D



4" l x 2" w x 1¹/₂" d

7507

US32D



3⁹/₁₆" dia., 1³/₁₆" deep

9580

US3
US4
US14
US15
SB



9580/50
2" dia., 3³/₈" deep

9587

US3
US4
US14
US15
SB



9587/50
2" l x 1¹/₂" w x 3³/₈" d
9587/60
2³/₈" l x 1⁷/₈" w x 3³/₈" d

9588

US3
US4
US14
US15
SB



9588/50
2" l x 1¹/₂" w x 3³/₈" d
9588/60
2³/₈" l x 1⁷/₈" w x 3³/₈" d

9595


US3
US4
US14
US15
SB



9595/50
2" dia., 1¹/₂" deep
9595/60
2³/₈" dia., 9¹/₁₆" deep


DOOR STOPS

1147



US3 • US10B • US15
US26 • US26D • SB
3" proj.


1148



US3 • US10B • US15
US26 • US26D • SB
3³/₄" proj.

2001

Plunger Door Holder




US3
US26

Operates by stepping on plunger, which is fitted with white rubber tip. Holds door firmly in any position. Releases by stepping on trigger plate.

7¹/₁₆" oa.
2" throw
1¹/₈" maximum width


7000



US3 • US10B
US14 • US15
US26 • US26D
US32D • SB

1¹/₁₆" dia., 1¹¹/₁₆" h


7001



US3 • US10B
US14 • US15
US26 • US26D
US32D • SB

7/8" dia., 1³/₁₆" h


7602



US32D

1" dia., 1¹¹/₁₆" h


7610



US32D

1" dia., 1³/₈" h


7620



US32D

1" square, 1³/₈" h

7605

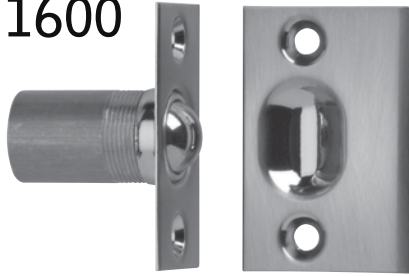


US32D

1" dia., 3³/₄" proj.

BALL CATCH

1600



US3 • US10B • US14
US15 • US26
US26D • SB

Faceplate: 2¹/₈" l x 1" w • Strike Plate: 2¹/₈" l x 1³/₈" w
Barrel: 3/4" dia., 1¹/₄" l

POCKET DOOR HARDWARE

7653
Door Edge Pull

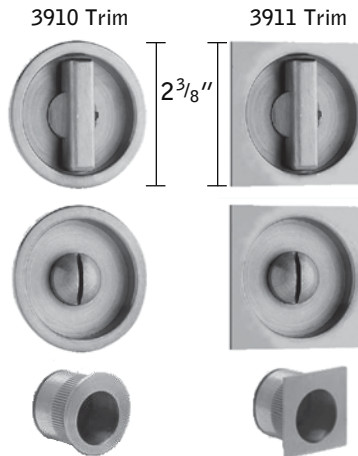
US15



3⁷/₈" l x 1³/₁₆" w

3910 & 3911
Door Locks

US32D

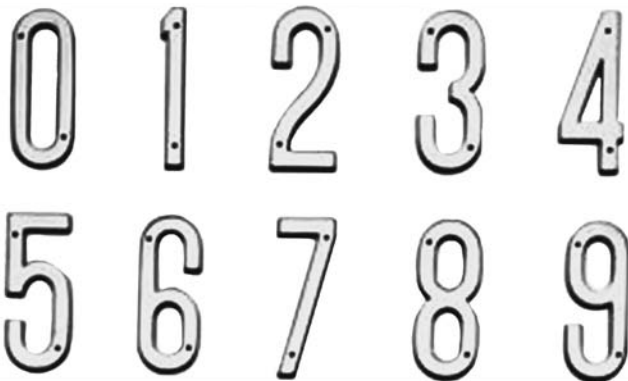


Lockbody: 3¹⁵/₁₆" l x 2³/₄" d
Faceplate: 6⁵/₁₆" l x 5⁵/₈" w
Backset: 2"

HOUSE NUMBERS

Item numbers 8300 thru 8309

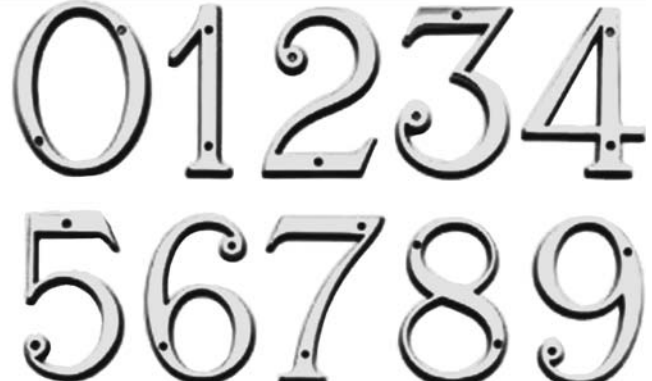
US26



4" h

Item numbers 8500 thru 8509

US3



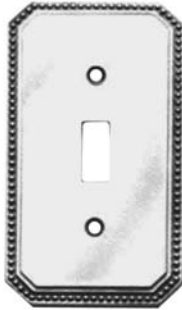
4⁵/₈" h

SWITCHPLATES

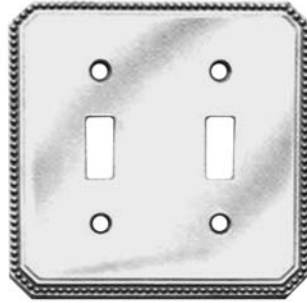
8004

US3
US15
US26
SB

8004/S
Single

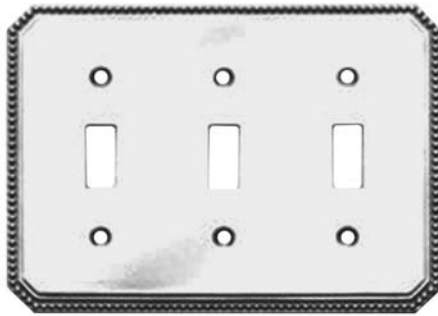


8004/D
Double

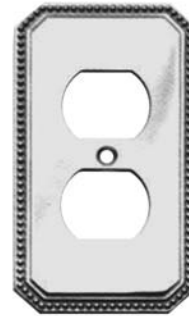


8004/C
Combination
also available
(not shown)

8004/T
Triple



8004/R
Duplex Receptacle



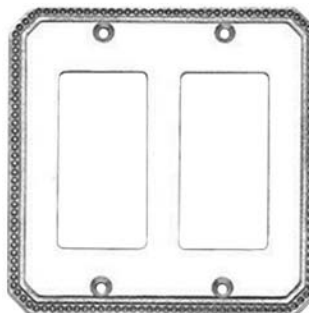
8005

US3
US15
US26
SB

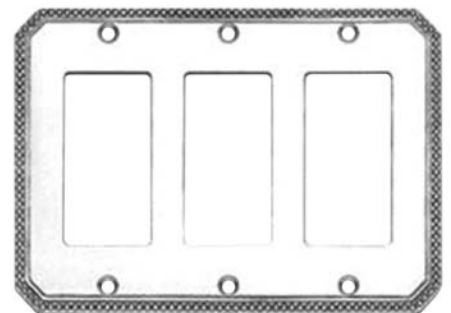
8005/S
Single



8005/D
Double



8005/T
Triple



SWITCHPLATES

8014

US3
US15
US26
US26D
SB

8014/S
Single



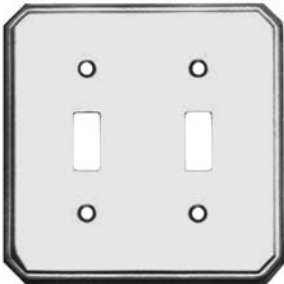
8014/R
Duplex Receptacle



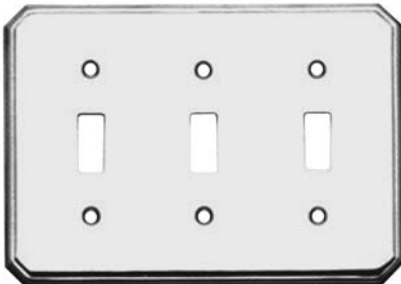
8014/C
Combination



8014/D
Double



8014/T
Triple



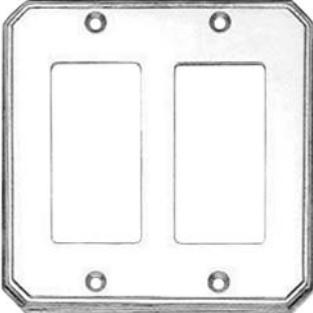
8024

US3
US15
US26
US26D
SB

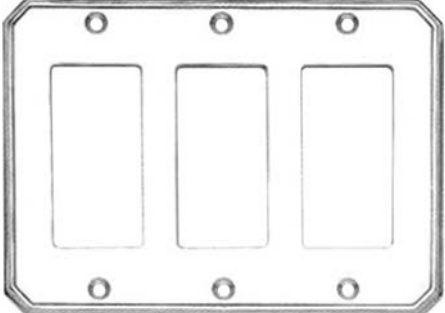
8024/S
Single



8024/D
Double



8024/T
Triple



SWITCHPLATES

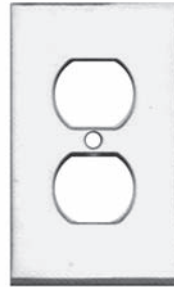
8012

US3
US15
US26
US26D

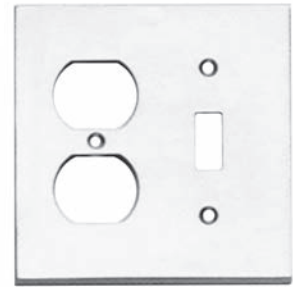
8012/S
Single



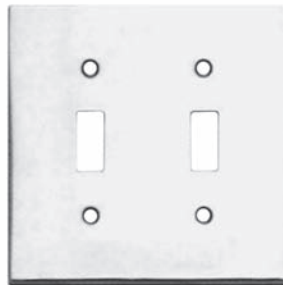
8012/R
Duplex Receptacle



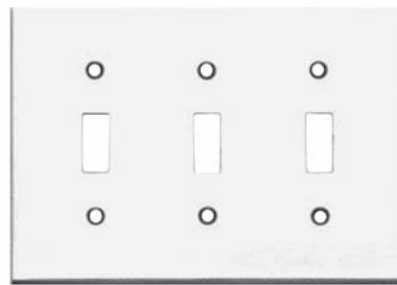
8012/C
Combination



8012/D
Double



8012/T
Triple



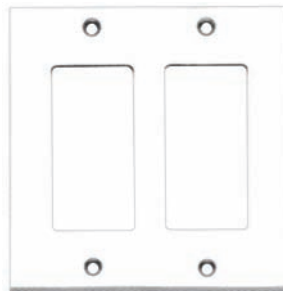
8023

US3
US15
US26
US26D

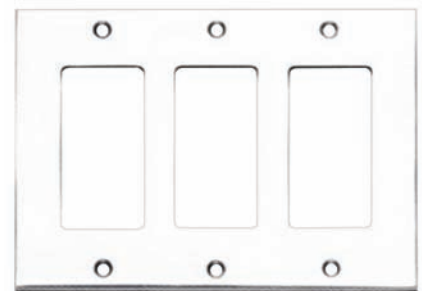
8023/S
Single



8023/D
Double



8023/T
Triple





BOX 330 • CEDAR GROVE, NJ 07009



P: 973.239.7272

F: 973.239.5960



www.OmniaIndustries.com