



JET®

DRILLING

EMPOWERING SHOP PERFORMANCE

JETTOOLS.COM



DRILLING

The complete line of JET Drilling machines ensure exact spacing and precision depth control with every press. Designed to last and provide the user with enhanced flexibility, the right JET Drill Press is available for both a commercial or maintenance shop. The industry's leading warranty and professional manuals for efficient operation assures every user of JET machines that we stand behind our products.

CONTENTS >

DRILLING OVERVIEW	004-005
BENCH AND FLOOR MODEL	
DRILL PRESSES	006-008
VARIABLE SPEED DRILL PRESSES ..	009-012
GEARED HEAD DRILL PRESSES	013-018
RADIAL ARM DRILL PRESSES	019-021
ACCESSORIES	022
WARRANTY	023



THE JET ADVANTAGE



DEPTH AND BREADTH OF LINE

JET carries a complete range of drill presses for any job in your shop from maintenance to production including manual Belt Drive, Variable Speed, Geared Head, EVS, Direct Drive and Radial Drills.



QUALITY

JET is dedicated to providing our customers high quality drill presses that have made us an industry leader. JET continues to expand our extensive selection to offer the best machine for any drilling operation. JET Drill Presses are built in our factories to ensure all specifications are met and give you consistent quality. With each hole drilled, you can be confident of exact spacing and precision depth.



INNOVATIVE PRODUCTS

To maintain our high safety standards, JET Arboga Geared Head Drill Presses are designed with a "No Volt Release" feature which prevents the spindle from engaging when power returns after an unexpected outage or shut down.



PROFESSIONAL MANUALS

JET manuals are professionally written by engineers for ease of use. All manuals come complete with parts breakdown and electrical drawings.



INDUSTRIAL LEADING WARRANTY

JET offers a 2 Year Warranty; the longest warranty in the industry, confirming our confidence in the quality of our design and workmanship. See page 23.



SERVICE CENTERS

JET offers authorized service centers across the USA. You can be assured a qualified local technician can troubleshoot, order parts and repair your equipment should a problem arise.

DRILLING OVERVIEW

JET MAKES YOUR JOB EASIER BY PROVIDING YOU WITH SOME BASIC AND HELPFUL INFORMATION ON ALL OF OUR DRILLING PRODUCTS AND DRILLING IN GENERAL.

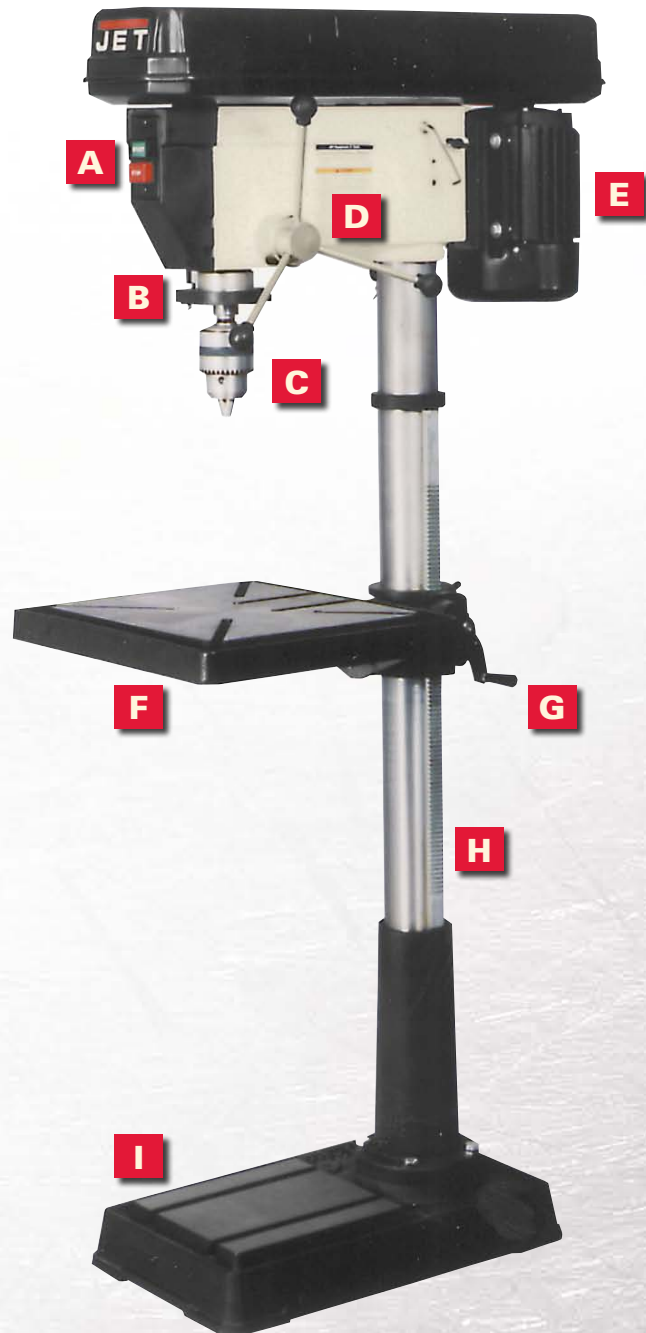
DRILLING

Drilling machines or drill presses are one of the most common machines found in the machine shop. A drill press is a machine that turns and advances a rotary tool into a workpiece. The drill press is used primarily for drilling holes, but when used with the proper tooling, it can be used for a number of machining operations. The most common machining operations performed on a drill press are drilling, reaming, tapping, counterboring, countersinking, and spotfacing.

There are many different types or configurations of drilling machines, but most drilling machines will fall into four broad categories: upright sensitive, upright, radial, and special purpose.

Basically the parts of a drill press are a base, table, column, spindle and drill head. And it drills holes accurately and consecutively. This is because of the spindle's perfect alignment in proportion to the table.

- A** Stop & Start Buttons
- B** Spindle
- C** Drill Chuck
- D** Hand Feed Lever
- E** Motor
- F** Table
- G** Table Clamp
- H** Column
- I** Base



JET

DRILLING OVERVIEW

JET OFFERS OVER 60 DIFFERENT DRILL PRESSES IN DIFFERENT SIZES, STYLES AND MANY DIFFERENT VOLTAGES BUT EASILY BREAKS DOWN TO 5 DIFFERENT TYPES.

Refer to category summary below.



STEP PULLEY



VARIABLE SPEED



GEARED HEAD



DIRECT DRIVE



RADIAL

15" AND 20" DRILL PRESSES



FEATURES

- Cast iron head
- Large quill allows greater accuracy
- Head casting features a permanently lubricated ball bearing spindle assembly, using four heavy duty ball bearings mounted in an enclosed quill for extended life
- Massive T-slotted production work table (Model J-2550 only)
- Table tilts 45°
- Large ground steel column diameter for maximum head and table support
- 3-1/8" stroke for deep hole applications (4-3/4" on model J-2550)
- Accurate depth stop for precise hole depths

STANDARD EQUIPMENT

- 5/8" Drill chuck and arbor

STOCK NUMBER	354401	354400	354402
Model Number	J-2530	J-2500	J-2550
Drilling Capacity Cast Iron (in.)	5/8	5/8	3/4
Drilling Capacity Mild Steel (in.)	1/2	1/2	5/8
Column Diameter (in.)	2-7/8	2-7/8	3-5/8
Distance Column to Spindle (in.)	7-1/2	7-1/2	10-1/2
Range of Spindle Speeds (RPM)	200, 290, 350, 430, 500, 580, 640, 720, 800, 870, 1440, 1630, 1820, 2380, 2540, 3630	200, 290, 350, 430, 500, 580, 640, 720, 800, 870, 1440, 1630, 1820, 2380, 2540, 3630	150, 260, 300, 440, 490, 540, 1150, 1550, 1840, 2220, 2950, 4200
Spindle Travel (in.)	3-1/8	3-1/8	4-3/4
Spindle Distance to Base (in.)	24	48	43-1/2
Spindle Distance to Table (max./in.)	15-1/2	24	24
Table Size (in.)	11-1/2 x 11-1/2	11-1/2 x 11-1/2	18-1/2 x 16-1/2
Table Travel (in.)	15-1/2	24	21-1/2
T-Slots Number and Size (in.)	N/A	N/A	3 x 1/2
T-Slot Centers (in.)	N/A	N/A	4
Work Table Weight Capacity (lbs.)	44	44	66
Spindle Taper	MT-2	MT-2	MT-3
Base Dimensions (LxW/ in.)	18 x 10-1/2	11 x 19-1/2	22-3/4 x 17-3/4
Base Work Table (in.)	8 x 8	7x 7-1/2	13 x 14-1/2
Motor	3/4HP, 115V, 1Ph,	3/4HP, 115V, 1Ph	1 HP, 115/230V, 1Ph, Prewired 115V
Overall Dimensions (in./ LxWxH)	31 x 13 x 39-1/2	31 x 13 x 63	33-1/2 x 18-1/2 x 67
Net Weight (lbs.)	157	167	304



354401



354400



354402



15" 6-SPEED DRILL PRESSES



FEATURES

- Constructed to provide a solid base for drilling
- Offers a greater range in spindle speeds than others in this class
- Larger quill provides greater accuracy
- Large production work table gives the operator the room to work and support for the job
- 3" Column for head support, while the quill is also supported to lessen deflection

STANDARD EQUIPMENT

- 1/2" Drill chuck and arbor



STOCK NUMBER	354500
Model Number	J-A3816
Drilling Capacity Cast Iron (in.)	5/8
Drilling Capacity Mild Steel (in.)	1/2
Column Diameter (in.)	3
Distance Column to Spindle (in.)	15
Range of Spindle Speeds (RPM)	375, 625, 1125, 1950, 3400, 5000
Spindle Travel (in.)	6
Spindle Distance to Base (in.)	44-1/2
Max Distance Spindle to Table (in.)	25-3/4
Table Size (in.)	15 x 18
Table Travel (in.)	16-3/4
T-Slots Number and Size (in.)	2 & 1/2
T-Slot Centers (in.)	5-5/16
Work Table Weight Capacity (lbs.)	90
Spindle Taper	MT-2
Base Dimensions (LxWxH/ in.)	20-7/8 x 14-3/16 x 3-1/8
Base Work Table (in.)	12-1/8 x 1-13/16
Base Slots Number & Size (in.)	2 & 1/2
Motor	1HP, 115/230V, 1Ph, Prewired 115V
Overall Dimensions (in./ LxWxH)	30 x 20 x 71
Net Weight (lbs.)	394



20" FLOOR DRILL PRESS



FEATURES

- Hinged metal belt and pulley cover coupled with quick adjustment motor mount allow rapid changing of spindle speeds
- Rotating, 45° tilting, crank-operated worktable with quick release clamp
- On/off switch located on front of the drill press head
- A 1/2" diameter external positive depth stop with three nut locking feature for quick adjustment
- Adjustable tension spindle return spring
- Spindle is supported by high quality ball bearings
- Built-in work lamp on all models, bulb not included
- Drill chuck and key included



STOCK NUMBER	354170
Model Number	JDP-20MF
Drilling Capacity Cast Iron (in.)	1
Drilling Capacity Mild Steel (in.)	3/4
Column Diameter (in.)	3-3/8
Distance Column to Spindle (in.)	10
Range of Spindle Speeds (RPM)	150-4200
Spindle Travel (in.)	4-5/8
Spindle Distance to Base (in.)	46-3/4
Max Distance Spindle to Table (in.)	29-1/8
Table Size (in.)	18-1/2 x 16
T-Slots Number and Size (in.)	6 & 1/2
T-Slot Centers (in.)	3-1/2
Work Table Weight Capacity (lbs.)	80
Spindle Taper	MT-3
Base Dimensions (in./ LxWxH)	13-3/4 x 22-3/4
Base Work Table (in.)	13 x 8-1/2
Base Slots Number & Size (in.)	2 & 5/8
Motor	1-1/2HP, 115/230V, 1Ph (Prewired 115V)
Overall Dimensions (in./LxWxH)	31-1/2 x 18-1/2 x 66
Net Weight (lbs.)	282



Large Cast Iron Head with Easy to use Spider Handle



1/2" Diameter External Positive Depth Stop



15" VARIABLE SPEED DRILL PRESSES



FEATURES

- Speeds from 400 to 5000 RPM
- Handwheel adjustment sets the speeds
- Large 2-1/4" quill allows greater accuracy
- 3" Column diameter for maximum head support
- Full bearing support on quill for maximum spindle stiffness
- 6" stroke for deep hole application
- Accurate depth stop for precise hole depths
- 1/2" drill chuck & arbor
- Safety collar



354550

STOCK NUMBER	354550	354551
Model Number	J-A5816	J-A5818
Drilling Capacity Cast Iron (in.)	5/8	5/8
Drilling Capacity Mild Steel (in.)	1/2	1/2
Column Diameter (in.)	3	3
Distance Column to Spindle (in.)	7-1/2	7-1/2
Spindle Travel (in.)	6	6
Spindle Distance to Base (in.)	44-1/2	44-1/2
Max Distance Spindle to Table (in.)	25-3/4	25-3/4
Table Size (in.)	15 x 18	15 x 18
Table Travel (in.)	16-3/4	16-3/4
T-Slots Number and Size (in.)	2 & 1/2	2 & 1/2
T-Slot Centers (in.)	5-5/16	5-5/16
Work Table Weight Capacity (lbs.)	90	90
Spindle Taper	MT-2	MT-2
Range of Spindle Speeds (RPM)	400 - 5000	400 to 5000
Base Dimensions (in./ LxWxH)	20-7/16 x 14-3/16 x 3-1/8	20-7/16 x 14-3/16 x 3-1/8
Base Work Table (in.)	12-1/8 x 11-13/16	12-1/8 x 11-13/16
Base Slots Number & Size (in.)	2 & 1/2	2 & 1/2
Motor	1HP, 115/20V, 1Ph (Prewired 115V)	1HP, 230/460V, 3Ph (Prewired 230V)
Overall Dimensions (in./ LxWxH)	30 x 20 x 71	30 x 20 x 71
Net Weight (lbs.)	426	426



20" VARIABLE SPEED DRILL PRESSES



FEATURES

- Variable spindle speeds from 300 to 2000 RPM
- #3 Morse Taper
- Front mounted positive control depth stop
- 6" Quill travel
- Massive 3" quill diameter
- Heavy duty cast iron design
- Large precision ground T-Slot production table for easy set ups
- Front or side rack and worm gear table raiser
- Table rotates 360° around the column
- Machined T-Slotted base
- Head is massively constructed for more accuracy and rigidity



354221

STOCK NUMBER	354221	354223
Model Number	J-2221VS	J-2223VS
Drilling Capacity Cast Iron (in.)	1-1/4	1-1/4
Drilling Capacity Mild Steel (in.)	1	1
Column Diameter (in.)	4-1/2	4-1/2
Distance Column to Spindle (in.)	10-7/16	10-7/16
Range of Spindle Speeds (RPM)	300 to 2000	300 to 2000
Spindle Travel (in.)	6	6
Spindle Distance to Base (in.)	43-5/16	43-5/16
Max Distance Spindle to Table (in.)	30-1/4	30-1/4
Table Size (in.)	18-1/8 x 14-3/4	18-1/8 x 14-3/4
Table Travel (in.)	18	18
T-Slots Number and Size (in.)	2 & 5/8	2 & 5/8
T-Slot Centers (in.)	7-7/16	7-7/16
Work Table Weight Capacity (lbs.)	176	176
Spindle Taper	MT-3	MT-3
Base Dimensions (in./ LxWxH)	27-1/2 x 19-1/4 x 6-1/8	27-1/2 x 19-1/4 x 6-1/8
Base Work Table (in.)	14-3/4 x 11-13/16	14-3/4 x 11-13/16
Base Slots Number & Size (in.)	2 & 5/8	2 & 5/8
Motor	2HP, 115/230V, 1Ph (Prewired 115V)	2HP, 230/460V, 3Ph (Prewired 230V)
Overall Dimensions (in./ LxWxH)	37 x 27 x 77	37 x 27 x 77
Net Weight (lbs.)	715	715

STOCK NUMBER	DESCRIPTION
5512104	Coolant system, 1/8HP pump, 115/220V, 1Ph
5508071	Coolant system, 1/8HP pump, 220/440V, 3Ph



Drill Chuck and Key



ELECTRONIC VARIABLE SPEED DRILL PRESSES



FEATURES

- Variable spindle speed from 65 to 2000RPM
- MT-3 spindle taper
- Latest AC inverter variable speed technology
- High torque at all speeds both forward and reverse
- Continuous speed adjustment while in operation
- Front mounted LED spindle RPM readout
- Forward and reverse for tapping
- Emergency stop
- Front mounted positive control depth stop
- Large precision ground T-slot production table for easy set ups
- Heavy duty casted head for more accuracy and rigidity

STOCK NUMBER	354214	354216
Model Number	J-2232AC	J-2234AC
Drilling Capacity Cast Iron (in.)	1-1/2	1-1/2
Drilling Capacity Mild Steel (in.)	1-3/8	1-3/8
Column Diameter (in.)	4-1/2	4-1/2
Distance Column to Spindle (in.)	10-7/16	10-7/16
Range of Spindle Speeds (RPM)	65 - 2000	65 - 2000
Spindle Travel (in.)	6	6
Spindle Distance to Base (in.)	43-5/16	43-5/16
Max Distance Spindle to Table (in.)	30-1/4	30-1/4
Table Size (in.)	18-1/8 x 14-3/4	18-1/8 x 14-3/4
Table Travel (in.)	18	18
T-Slots Number and Size (in.)	2 & 5/8	2 & 5/8
T-Slot Centers (in.)	7-7/16	7-7/16
Work Table Weight Capacity (lbs.)	176	176
Spindle Taper	MT-3	MT-3
Base Dimensions (in./ LxWxH)	27-1/2 x 19-1/4 x 6-1/8	27-1/2 x 19-1/4 x 6-1/8
Base Work Table (in.)	14-3/4 x 11-13/16	14-3/4 x 11-13/16
Base Slots Number & Size (in.)	2 & 5/8	2 & 5/8
Motor	2HP, 220V, 3Ph*	2HP, 460V, 3Ph
Overall Dimensions (in./ LxWxH)	37 x 27 x 80	37 x 27 x 80
Net Weight (lbs.)	792	792

*J-2232AC can also run as 220V, Single Phase



Table Rotates 360 Degrees Around the Column



20" ELECTRONIC VARIABLE SPEED DRILL PRESSES



FEATURES

- Runs quieter and smoother than a conventional variable speed head
- 230V model can run on single phase power
- Low maintenance head has less moving parts
- Incorporates a high-low gear box to maintain low speed torque
- Chrome molybdenum gears are hardened, ground, and shaved
- Quiet running and longer life
- Speed can be adjusted in each range during operation
- LED spindle RPM readout is conveniently mounted
- Tapping mode allows instantaneous spindle reversal
- Easy to read internal depth gauge
- Extra large emergency stop button adds to safe operation
- Table can be raised from the front or side
- Large production table and T-slotted dish-in base

STANDARD EQUIPMENT

- Integrated tapping and reversing controls
- Complete coolant system
- T-slotted work table



STOCK NUMBER	354210	354212
Model Number	JDP-20EVS/230	JDP-20EVS/460
Drilling Capacity Cast Iron (in.)	1-1/2	1-1/2
Drilling Capacity Mild Steel (in.)	1-3/8	1-3/8
Column Diameter (in.)	4-1/2	4-1/2
Distance Column to Spindle (in.)	10-7/16	10-7/16
Range of Spindle Speeds (RPM)	65 - 2000	65 - 2000
Spindle Taper	MT-3	MT-3
Spindle Travel (in.)	6	6
Spindle Distance to Base (in.)	43-5/16	43-5/16
Max Distance Spindle to Table (in.)	30-1/4	30-1/4
Table Size (in.)	18-1/8 x 14-3/4	18-1/8 x 14-3/4
Table Travel (in.)	18	18
T-Slots Number and Size (in.)	2 & 5/8	2 & 5/8
T-Slot Centers (in.)	7-7/16	7-7/16
Base Dimensions (in./ LxWxH)	27-1/2 x 19-1/4 x 6-1/8	27-1/2 x 19-1/4 x 6-1/8
Base Work Table (in.)	14-3/4 x 11-13/16	14-3/4 x 11-13/16
Base Slots Number & Size (in.)	2 & 5/8	2 & 5/8
Motor	2HP, 230V only, 3Ph	2HP, 460V only, 3Ph
Overall Dimensions (in./ LxWxH)	37 x 37 x 83	37 x 37 x 83
Net Weight (lbs.)	722	722



GEARED HEAD DRILL PRESSES

When you need a heavy-duty machine capable of production drilling and quick set-up changes you need JET Geared Head Drill Presses. Designed to perform a variety of precision drilling applications, JET Geared Head Drill Presses have calibrated fine down feed built in, easy-to-read depth gauges and the lack of friction elements results in less down time. The JET Geared Head Drill Press is perfect for the tool room or commercial shop with high production demand.



20" GEARED HEAD DRILL PRESSES

FEATURES

- Heavy duty design allows a variety of precision drilling applications
- Easy to read internal depth gauge
- Calibrated fine down feed built-in
- Built-in spindle lock
- Head tilts left or right
- Easy accessible table raiser
- Large production table and T-slotted base

STANDARD EQUIPMENT

- T-slotted worktable
- Drill chuck arbor
- Draw bar

STOCK NUMBER	354020	354024
Model Number	GHD-20	GHD-20PF
Drilling Capacity Cast Iron (in.)	1-1/2	1-1/2
Drilling Capacity Mild Steel (in.)	1-1/4	1-1/4
Column Diameter (in.)	4-1/2	4-1/2
Distance Column to Spindle (in.)	10	10
Range of Spindle Speeds (RPM)	Low 60, 130, 230, 450, 800, 1500 High 120, 260, 460, 900, 1600, 3000	Low 60, 130, 230, 450, 800, 1500 High 120, 260, 460, 900, 1600, 3000
Spindle Taper	MT-3	MT-3
Number of Powerfeeds (GHD-20PF)	3	
Spindle Travel (in.) Manual	5	4-1/2
Spindle Travel (in.) Auto	N/A	4-1/4
Spindle Distance to Base (in.)	44-15/16	44-15/16
Spindle Distance to Table (max./in.)	30-1/2	30-1/2
Table Size (in.)	21-3/4 x 19-1/2	21-3/4 x 19-1/2
T-Slots Number and Size (in.)	2 & 5/8	2 & 5/8
T-Slot Centers (in.)	9	9
Work Table Weight Capacity (lbs.)	275	275
Base Dimensions (in./ LxWxH)	26 x 18 x 5	26 x 18 x 5
Base Work Table (in.)	15-1/4 x 13	15-1/4 x 13
Base Slots Number & Size (in.)	2 & 5/8	2 & 5/8
Motor	2HP, 230V, 3Ph, 2 Speed	2 HP, 230V, 3 Ph, 2 Speed
Overall Dimensions (in./ LxWxH)	32 x 24 x 71	33 x 29 x 76
Net Weight (lbs.)	660	660



354020



20" GEARED HEAD DRILLING AND TAPPING PRESSES



FEATURES

- Heavy-duty design allows a variety of precision drilling and tapping applications
- Easy to read internal depth gauge
- Three power down feeds
- Calibrated fine down feed built-in
- Built-in spindle lock
- Head tilts left or right
- Easy accessible table raiser
- Large production table and T-slotted base

STANDARD EQUIPMENT

- Integrated tapping and reversing controls
- T-slotted worktable
- Drill chuck arbor
- Draw bar
- TEFC Motor



354026

STOCK NUMBER	354022	354026
Model Number	GHD-20T	GHD-20PFT
Drilling Capacity Cast Iron (in.)	1-1/2	1-1/2
Drilling Capacity Mild Steel (in.)	1-1/4	1-1/4
Column Diameter (in.)	4-1/2	4-1/2
Distance Column to Spindle (in.)	10	10
Range of Spindle Speeds (RPM)	120, 260, 460, 900, 1600, 3000, 60, 130, 230, 450, 800, 1500	120, 260, 460, 900, 1600, 3000, 60, 130, 230, 450, 800, 1500
Spindle Taper	MT-3	MT-3
Spindle Travel (in.) Manual	5	4-1/2
Spindle Travel (in.) Auto	N/A	4-1/4
Spindle Distance to Base (in.)	44-5/16	44-5/16
Spindle Distance to Table (max./in.)	30-1/2	30-1/2
Table Size (in.)	21-3/4 x 19-1/2	21-3/4 x 19-1/2
T-Slots Number and Size (in.)	2 & 5/8	2 & 5/8
T-Slot Centers (in.)	9	9
Work Table Weight Capacity (lbs.)	275	275
Base Dimensions (in./ LxWxH)	26 x 18 x 5	26 x 18 x 5
Base Work Table (in.)	15-1/4 x 13	15-1/4 x 13
Base Slots Number & Size (in.)	2 & 5/8	2 & 5/8
Motor	2HP, 230V, 3Ph, 2-speed	2HP, 230V, 3Ph, 2-speed
Overall Dimensions (in./ LxWxH)	32 x 24 x 71	32 x 24 x 71
Net Weight (lbs.)	700	708

20" JET/ARBOGA GEARED HEAD DRILL PRESS

2
YEAR
WARRANTY

FEATURES

- Helical gears for smooth, quiet operation
- Quick release drill ejector
- Safety latch to prevent head dropping when unclamped
- Eight spindle speeds
- T-Slotted table with coolant trough
- Head and table rotate 360 degrees around column
- 2 position High/Low switch
- 3-15/16" Column diameter
- English/Metric depth gauge



STOCK NUMBER	354027	354028	354029	354030	354031
Model Number	J-A2608-1	J-A2608-2	J-A2608-4	J-A2608M-PF2	J-A2608M-PF4
Drilling Capacity Cast Iron (in.)	1-3/8	1-3/8	1-3/8	1-3/8	1-3/8
Drilling Capacity Mild Steel (in.)	1-1/4	1-1/4	1-1/4	1-1/4	1-1/4
Column Diameter (in.)	3-15/16	3-15/16	3-15/16	3-15/16	3-15/16
Distance Column to Spindle (in.)	10	10	10	10	10
Range of Spindle Speeds (RPM)	Low-130, 260, 420, 840; High- 535, 1070, 1745, 3480	Low-130, 260, 420, 840; High-535, 1070, 1745, 3480	Low-130, 260, 420, 840; High-535, 1070, 1745, 3480	Low-130, 260, 420, 840; High-535, 1070, 1745, 3480	Low-130, 260, 420, 840; High-535, 1070, 1745, 3480
Spindle Taper	MT-3	MT-3	MT-3	MT-3	MT-3
Spindle Travel (in.)	5-1/8	5-1/8	5-1/8	5-1/8	5-1/8
Spindle Distance to Base (in.)	44	44	44	44	44
Spindle Distance to Table (max./in.)	35-5/8	35-5/8	35-5/8	35-5/8	35-5/8
Table Size (in.)	15-3/4 x 19-3/4	15-3/4 x 19-3/4	15-3/4 x 19-3/4	15-3/4 x 19-3/4	15-3/4 x 19-3/4
Quill Feed	Auto	Auto	Auto	Auto	Auto
Quill Feed Rates (IPR)	.0004, .006, .009, .012	.0004, .006, .009, .012	.0004, .006, .009, .012	.0004, .006, .009, .012	.0004, .006, .009, .012
Quill Travel	5-1/8	5-1/8	5-1/8	5-1/8	5-1/8
Quill Diameter (in.)	2-3/8	2-3/8	2-3/8	2-3/8	2-3/8
Vertical Movement of Drill Head	8-5/8	8-5/8	8-5/8	8-5/8	8-5/8
Table Travel (in.)	24-1/2	24-1/2	24-1/2	24-1/2	24-1/2
T-Slots Number and Size (in.)	2 & 9/16	2 & 9/16	2 & 9/16	2 & 9/16	2 & 9/16
Work Table Weight Capacity (lbs.)	350	350	350	350	350
Base Dimensions (in./ LxWxH)	24 x 22	24 x 22	24 x 22	24 x 22	24 x 22
Motor	3/4 - 1HP, 115V, 1Ph	1 - 1-1/2HP, 220V, 3Ph	1 - 1-1/2HP, 440V, 3Ph	1 - 1-1/2HP, 220V, 3Ph	1 - 1-1/2HP, 440V, 3Ph
Overall Dimensions (in./ LxWxH)	24 x 22 x 72	24 x 22 x 72	24 x 22 x 72	24 x 22 x 72	24 x 22 x 72
Net Weight (lbs.)	475	475	475	600	600



Made In Sweden

354027

STOCK NUMBER	DESCRIPTION
5245631	Foot reversing switch*
1820061	5-speed forward/reverse switch*

* 3 phase machines only

DRILLING

26" JET/ARBOGA GEARED HEAD DRILL PRESS



FEATURES

- Helical gears for smooth, quiet operation
- Quick release drill ejector
- English/Metric depth gauge
- Machined, T-Slotted base plate
- Head and table rotate 360° around column
- No-volt release prevents spindle start when power returns after shut down

STOCK NUMBER	354034	354035	354036	354037
Model Number	J-A3008-2	J-A3008-4	J-A3008M-PF2	J-A3008M-PF4
Drilling Capacity Cast Iron (in.)	1-3/8	1-3/8	1-3/8	1-3/8
Drilling Capacity Mild Steel (in.)	1-1/4	1-1/4	1-1/4	1-1/4
Quill Feed	Manual	Manual	Auto	Auto
Quill Feed Rates (IRP)	-	-	.004, .006, .009, .12	.004, .006, .009, .12
Quill Travel (in.)	6	6	6	6
Quill Diameter (in.)	2-7/16	2-7/16	2-7/16	2-7/16
Range of Spindle Speeds (RPM)	90, 190, 320, 530, 640, 1060, 1790, 3610	90, 190, 320, 530, 640, 1060, 1790, 3610	90, 190, 320, 530, 640, 1060, 1790, 3610	90, 190, 320, 530, 640, 1060, 1790, 3610
Spindle Taper	MT-3	MT-3	MT-3	MT-3
Spindle Travel (in.)	6	6	6	6
Spindle Distance to Base (in.)	45-5/8	45-5/8	45-5/8	45-5/8
Spindle Distance to Table (max./in.)	35	35	35	35
Table Size (in.)	15-3/4 x 19-3/4	15-3/4 x 19-3/4	15-3/4 x 19-3/4	15-3/4 x 19-3/4
Table Travel (in.)	30	30	30	30
T-Slots Number and Size (in.)	2 & 9/16	2 & 9/16	2 & 9/16	2 & 9/16
Work Table Weight Capacity (lbs.)	450	450	450	450
Base Dimensions (LxWxH/ in.)	28 x 24	28 x 24	28 x 24	28 x 24
Base Slots Number & Size (in.)	2 & 9/16	2 & 9/16	2 & 9/16	2 & 9/16
Motor	1-1/2 - 2HP, 220V, 3Ph	1-1/2 - 2HP, 440/460V, 3Ph	1-1/2 - 2HP, 220V, 3Ph	1-1/2 - 2HP, 440/460V, 3Ph
Overall Dimensions (in./ LxWxH)	28 x 24 x 72	28 x 24 x 72	28 x 24 x 72	28 x 24 x 72
Net Weight (lbs.)	565	565	600	600



354034



Made In Sweden



26" JET/ARBOGA GEARED HEAD DRILL PRESS

2
YEAR WARRANTY

FEATURES

- Helical gears for smooth quiet operation
- Quick release drill ejector
- English/Metric depth gauge
- Machined, T-Slotted base plate
- Head and table rotate 360° around column
- No-volt release prevents spindle start when power returns after shut down

STANDARD EQUIPMENT

- Fully enclosed spindle
- Large T-Slotted table



354040

STOCK NUMBER	354040	354041
Model Number	J-A4008M-PF2	J-A4008M-PF4
Drilling Capacity Cast Iron (in.)	2	2
Drilling Capacity Mild Steel (in.)	1-7/8	1-7/8
Column Diameter (in.)	5-1/2	5-1/2
Distance Column to Spindle (in.)	13	13
Range of Spindle Speeds (RPM)	105, 162, 240, 360, 528, 805, 1175, 1800	105, 162, 240, 360, 528, 805, 1175, 1800
Spindle Taper	MT-4	MT-4
Spindle Travel (in.)	8	8
Spindle Distance to Base (in.)	44	44
Spindle Distance to Table (max./in.)	33	33
Table Size (in.)	20 x 24	20 x 24
Table Travel (in.)	25	25
T-Slots Number and Size (in.)	2 & 5/8	2 & 5/8
T-Slot Centers (in.)	8-1/4	8-1/4
Work Table Weight Capacity (lbs.)	550	550
Quill Feed	Auto	Auto
Quill Down Feed Rates (IPR)	.004, .006, .009, .013	.004, .006, .009, .013
Base Dimensions (in./ LxWxH)	23 x 28	23 x 28
Base Work Table (in.)	13 x 16-1/8	13 x 16-1/8
Base Slots Number & Size (in.)	2 & 5/8	2 & 5/8
Motor	3HP, 220V, 3Ph	3HP, 440/460V, 3Ph
Overall Dimensions (in./ LxWxH)	23 x 28 x 81	23 x 28 x 81
Net Weight (lbs.)	700	820



Made In Sweden

26" DIRECT DRIVE DRILL PRESSES



FEATURES

- Direct drive round column drill press with mechanical clutch
- Two speed forward and reverse switch
- Mechanical powerfeed clutch engagement
- Heavy duty quill and spindle
- Tempered, ground spindle with internal taper mounted in precision bearings for maximum accuracy, minimizing deflection
- Speed and feed selectors are located on one side of the drill head for convenience and ease of operation
- Oversized base is precision ground with T-slots for added versatility and stability

STANDARD EQUIPMENT

- Automatic tool ejector
- Manual quill lock
- Coolant system
- Low voltage at switch

STOCK NUMBER	354050	354051	354052
Model Number	J-2350	J-2360	J-2380
Drilling Capacity Cast Iron (in.)	1-7/8	2-5/32	2-7/8
Drilling Capacity Mild Steel (in.)	1-3/4	2	2-3/4
Distance Column to Spindle (in.)	14	15	16-1/2
Range of Spindle Speeds (RPM)	82, 120, 180, 240, 354, 528, 678, 1026, 1524	55, 98, 156, 198, 346, 456, 576, 822, 1338	42, 58, 86, 116, 154, 249, 304, 412, 554, 748, 1098, 1458
Spindle Taper	MT-4	MT-4	MT-5
Spindle Travel (in.)	9	10	11
Spindle Distance to Base (in.)	49	50	51
Spindle Distance to Table (max./in.)	30-1/2	30-1/2	30-1/2
Table Size (in.)	22 x 19	22 x 19	23-1/2 x 23-1/2
T-Slots Number and Size (in.)	2 & 5/8	3 & 5/8	3 & 5/8
Work Table Weight Capacity (lbs.)	400	400	400
Base Dimensions (in./ LxWxH)	102 x 25 x 47	108 x 30 x 53	114 x 33 x 54
Base Slots Number & Size (in.)	3 & 5/8	3 & 5/8	3 & 5/8
Motor	3HP, 230/460V, 3 Ph, Prewired 230V	4HP, 230/460V, 3 Ph, Prewired 230V	7-1/2HP, 230/460V, 3 Ph, Prewired 230V
Floor Space Required (in./ LxWxH)	40 x 30 x 95	53 x 30 x 108	55 x 33 x 110
Net Weight (lbs.)	1810	2405	3065



Made In Spain



RADIAL DRILL PRESS

The apex of heavy-duty drill presses; JET Radial Arm Drill Presses are built to handle huge pieces, create precision holes and enhance productivity in even the busiest commercial shops. Power spindle feed and coolant systems enhance operation, safety features and ergonomic design, JET Radial Arm Drill Presses are built to withstand the heaviest drilling and hold material fast for precision performance.



3' ARM RADIAL DRILL PRESS

FEATURES

- The power train gears and spline shafts are made of the finest quality, heat treated and ground nickel-chrome steel, giving extra strength and smoothness to high torque loads
- The spindle is made of finest case hardened steel, for extra strength and wear
- The spindle is supported by double row taper roller and thrust ball bearings at the nose, with thrust and radial axis bearings at the top
- Built to withstand exceptionally heavy drilling and boring loads to insure maximum accuracy

STANDARD EQUIPMENT

- Built in work light
- Coolant pump
- Tool kit
- Box table

2
YEAR
WARRANTY

STOCK NUMBER	320033
Model Number	J-720R
Drilling Capacity Mild Steel (in.)	1-1/2
Drilling Capacity Cast Iron (in.)	2
Tapping Capacity Mild Steel (in.)	3/4
Tapping Capacity Cast Iron (in.)	1
Boring Capacity Steel (in.)	2-3/8
Boring Capacity Cast Iron (in.)	4
Column Diameter (in.)	8-1/4
Distance Column to Spindle (min/in.)	8-5/8
Distance Column to Spindle (max/in.)	29-1/2
Travel of Head Horizontal (in.)	20-7/8
Distance Base to Spindle (min/in.)	9-5/8
Distance Base to Spindle (max/in.)	41-3/4
Arm Travel Vertical (in.)	23-13/16
Table Dimensions (in.)	23-5/8 X 17-1/2 X 15
Base Dimensions (in.)	49-5/8 x 25-3/16 x 6-1/4
Quill Travel (in.)	8-21/32
Spindle Taper	MT-4
Quill Travel w/ Powerfeed engaged (in.)	8-1/4
Number of Spindle speeds (RPM)	6 (88 - 1500)
Quill Down feed Rates (IPR)	.002, .004, .006
Motor	3HP, 230/460V 3Ph, Prewired 230V
Elevating Motor	1 HP
Coolant Pump Motor	1/8 HP
Machine Height from Floor (in.)	85-7/16
Overall Dimensions (in./ LxWxH)	64 x 32 x 85
Net Weight (lbs.)	2697



DRILLING

4' ARM RADIAL DRILL PRESSES



FEATURES

- The power train gears and spline shaft are made of the finest quality, heat treated and ground nickel-chrome steel, giving extra strength and smoothness to high torque loads
- The spindle is made of the finest case hardened steel for extra strength and wear
- The spindle is supported by double row taper roller and thrust ball bearings at the nose with trust and radial axis bearings at the top
- The spindle is built to withstand exceptionally heavy drilling and boring loads and to insure maximum accuracy
- Push button controls are all reduced to 110V
- Electrical circuits are located in the built-in control box at the rear of the arm- this keeps the controls dust and humidity free while making them easily accessible for maintenance.
- Entire frame is made of Meehanite and high tensile strength cast iron to handle the heaviest of jobs

STANDARD EQUIPMENT

- Built in work light
- Coolant pump
- Tool kit
- Box table



STOCK NUMBER	320034	320035	320036	320037
Model Number	J-1100R	J1100R-4	J-1230R	J-1230R-4
Drilling Capacity Mild Steel (in.)	1-3/4	1-3/4	1-7/8	1-7/8
Drilling Capacity Cast Iron (in.)	2-1/4	2-1/4	2-5/16	2-5/16
Tapping Capacity Mild Steel (in.)	1	1	1	1
Tapping Capacity Cast Iron (in.)	1-1/4	1-1/4	1-1/2	1-1/2
Boring Capacity Steel (in.)	3-3/8	3-3/8	3-3/8	3-3/8
Boring Capacity Cast Iron (in.)	4-3/4	4-3/4	4-3/4	4-3/4
Column Diameter (in.)	10-1/4	10-1/4	11-13/16	11-13/16
Distance Column to Spindle (min/in.)	9-5/8	9-5/8	13-3/4	13-3/4
Distance Column to Spindle (max/in.)	43-5/16	43-5/16	46	46
Travel of Head Horizontal (in.)	32-1/4	32-1/4	35	35
Distance Base to Spindle (min/in.)	18-1/2	18-1/2	19-3/8	19-3/8
Distance Base to Spindle (max/in.)	50	50	54	54
Arm Travel Vertical (in.)	22-7/16	22-7/16	35	35
Table Dimensions (in.)	24-3/4 x 20-1/2 x 16-1/2	24-3/4 x 20-1/2 x 16-1/2	25 x 20-1/2 x 16-5/16	25 x 20-1/2 x 16-5/16
Base Dimensions (in.)	67-3/4 x 28 x 6-1/2	67-3/4 x 28 x 6-1/2	67-3/4 x 28 x 7	67-3/4 x 28 x 7
Quill Travel (in.)	9	9	9-7/8	9-7/8
Spindle Taper	MT-4	MT-4	MT-4	MT-4
Quill Travel w/ Powerfeed engaged (in.)	8-21/32	8-21/32	9-7/16	9-7/16
Number of Spindle speeds (RPM)	12 (44-1500)	12 (44 - 1500)	12 (44 - 1500)	12 (44 - 1500)
Quill Down feed Rates (IPR)	3 (.002, .004, .006)	3 (.002, .004, .006)	3 (.002, .004, .006)	3 (.002, .004, .006)
Motor	1-1/2 to 3HP, 230V, 3 Ph	1-1/2 to 3HP, 460V, 3 Ph	2-1/2 to 5HP, 230V, 3 Ph	2-1/2 to 5HP, 460V, 3 Ph
Elevating Motor	1HP	1HP	1HP	1HP
Coolant Pump Motor	1/8HP	1/8HP	1/8HP	1/8HP
Machine Height from Floor (in.)	100	100	109-1/2	109-1/2
Overall Dimensions (in./ LxWxH)	74 x 34 x 89	74 x 34 x 89	80 x 39 x 89	80 x 39 x 89
Net Weight (lbs.)	4190	4190	4520	4520

5' ARM RADIAL DRILL PRESS

FEATURES

- The power train gears and spline shaft are made of the finest quality, heat treated and ground nickel-chrome steel, giving extra strength and smoothness to high torque loads
- The spindle is made of the finest case hardened steel for extra strength and wear
- The spindle is supported by double row taper roller and thrust ball bearings at the nose, with thrust and radial axis bearings at the top
- The spindle is built to withstand exceptionally heavy drilling and boring loads and to insure maximum accuracy
- Push button controls are all reduced to 110V
- Electrical circuits are located in the built-in control box at the rear of the arm- this keeps the controls dust and humidity free while making them easily accessible for maintenance
- Entire frame is made of Meehanite and high tensile strength cast iron to handle the heaviest of jobs
- Arm raising safety device prevents arm from dropping
- Counter balanced mechanism for spindle return
- 12 speeds/3 feed rates make exotic materials easier to drill, bore and tap
- Centralized control center
- Automatic tool ejector
- Hydraulic head and column clamping

STANDARD EQUIPMENT

- Built in work light
- Coolant pump
- Tool kit
- Box table



320038

STOCK NUMBER	320038	320039
Model Number	J-1600R	J-1600R-4
Drilling Capacity Mild Steel (in.)	2-1/2	2-1/2
Drilling Capacity Cast Iron (in.)	2-5/16	2-7/8
Tapping Capacity Mild Steel (in.)	2	2
Tapping Capacity Cast Iron (in.)	2-3/8	2-3/8
Boring Capacity Steel (in.)	5	5
Boring Capacity Cast Iron (in.)	7-3/8	7-3/8
Column Diameter (in.)	17	17
Distance Column to Spindle (min/in.)	13-3/8	13-3/8
Distance Column to Spindle (max/in.)	62-1/4	62-1/4
Travel of Head Horizontal (in.)	44-7/8	44-7/8
Distance Base to Spindle (min/in.)	15	15
Distance Base to Spindle (max/in.)	63	63
Arm Travel Vertical (in.)	33-15/32	33-15/32
Table Dimensions (in.)	27-7/8 x 19-5/8 x 15-3/4	27-7/8 x 19-5/8 x 15-3/4
Base Dimensions (in.)	97-5/8 x 41-11/32 x 8-1/4	97-5/8 x 41-11/32 x 8-1/4
Quill Travel (in.)	14-9/16	14-9/16
Spindle Taper	MT-5	MT-5
Quill Travel w/ Powerfeed engaged (in.)	13	13
Number of Spindle speeds (RPM)	12 (40 - 1920)	12 (40 - 1920)
Quill Down feed Rates (IPR)	6 (.003 - .038 IPR)	6 (.003 - .038 IPR)
Motor	7-1/2HP, 230/460V, 3Ph, Prewired 230V	7-1/2HP, 460V, 3Ph
Elevating Motor	2HP	2HP
Coolant Pump Motor	1/8HP	1/8HP
Machine Height from Floor (in.)	125	125
Overall Dimensions (in./ LxWxH)	116 x 55 x 112	112 x 55 x 116
Net Weight (lbs.)	11000	11000





TAPER MOUNT DRILL CHUCKS



- All components are heat-treated high grade alloy steel
- Chuck jaws are precision fitted to withstand 115 PSI of torque
- All models meet JIS specifications: B4634E



STOCK NUMBER	TDC-375	TDC-500	TDC-501	TDC-625	TDC-750
Model Number	561702	561704	561706	561708	561709
Capacity (in.)	0 - 3/8	0 - 1/2	0 - 1/2	1/8 - 5/8	1/8 - 3/4
Taper Mount	JT-2	JT-6	JT-33	JT-3	JT-4
Body Diameter (in.)	1-15/32	1-5/8	1-25/32	2-3/16	2-7/8
Overall Length (in.)	2-3/8	2-31/32	3-1/8	3-11/16	5





JET

WARRANTY AND SERVICE

WARRANTY AND SERVICE

Walter Meier (Manufacturing) Inc., warrants every product it sells. If one of our tools needs service or repair, one of our Authorized Service Centers located throughout the United States can give you quick service. In most cases, any of these Walter Meier Authorized Service Centers can authorize warranty repair, assist you in obtaining parts, or perform routine maintenance and major repair on your JET tools. For the name of an Authorized Service Center in your area call **1-800-274-6848**.

MORE INFORMATION

Walter Meier is consistently adding new products to the line. For complete, up-to-date product information, check with your local Walter Meier distributor, or visit jettools.com

WARRANTY

JET products carry a limited warranty which varies in duration based upon the product.



2
YEAR
WARRANTY

- Metalforming
- Mill/Drills
- Milling Machines
- MW Bandsaws
- MW Drill Presses
- MW Finishing Equipment
- MW Lathes



90
DAY
WARRANTY

- Lathe Accessories
- Machine Accessories

WHAT IS COVERED?

This warranty covers any defects in workmanship or materials subject to the exceptions stated below. Cutting tools, abrasives and other consumables are excluded from warranty coverage.

WHO IS COVERED?

This warranty covers only the initial purchaser of the product.

WHAT IS THE PERIOD OF COVERAGE?

The general JET warranty lasts for the time period specified in the product literature of each product.

HOW TO GET SERVICE

The product or part must be returned for examination, postage prepaid, to a location designated by us. For the name of the location nearest you, please call **1-800-274-6848**.

You must provide proof of initial purchase date and an explanation of the complaint must accompany the merchandise. If our inspection discloses a defect, we will repair or replace the product, or refund the purchase price, at our option.

We will return the repaired product or replacement at our expense unless it is determined by us that there is no defect, or that the defect resulted from causes not within the scope of our warranty in which case we will, at your direction, dispose of or return the product. In the event you choose to have the product returned, you will be responsible for the shipping and handling costs of the return.

HOW STATE LAW APPLIES

This warranty gives you specific legal rights; you may also have other rights which vary from state to state.

LIMITATIONS ON THIS WARRANTY

WALTER MEIER LIMITS ALL IMPLIED WARRANTIES TO THE PERIOD OF THE LIMITED WARRANTY FOR EACH PRODUCT. EXCEPT AS STATED HEREIN, ANY IMPLIED WARRANTIES OR MERCHANTABILITY AND FITNESS ARE EXCLUDED. SOME STATES DO NOT ALLOW LIMITATIONS ON HOW LONG THE IMPLIED WARRANTY LASTS, SO THE ABOVE LIMITATION MAY NOT APPLY TO YOU. WALTER MEIER SHALL IN NO EVENT BE LIABLE FOR DEATH, INJURIES TO PERSONS OR PROPERTY, OR FOR INCIDENTAL, CONTINGENT, SPECIAL, OR CONSEQUENTIAL DAMAGES ARISING FROM THE USE OF OUR PRODUCTS. SOME STATES DO NOT ALLOW THE EXCLUSION OR LIMITATION OF INCIDENTAL OR CONSEQUENTIAL DAMAGES, SO THE ABOVE LIMITATION OR EXCLUSION MAY NOT APPLY TO YOU.

Walter Meier sells through distributors only. The specifications in Walter Meier catalogs are given as general information and are not binding. Members of Walter Meier reserve the right to effect at any time, without prior notice, those alterations to parts, fittings, and accessory equipment which they may deem necessary for any reason whatsoever. JET® branded products are not sold in Canada by Walter Meier.



Stock No. 904263

5K 9-2010

©2010 Walter Meier (Manufacturing) Inc. :: Printed in the U.S.A.

Walter Meier (Manufacturing) Inc.

Lavergne, TN 37086 U.S.A.

waltermeier.com