



EMPI INC.

EMPI has over thirty years experience manufacturing drive line components that meet or exceed O.E.M. specifications. Manufactured in QS 9000 / ISO 9002 / ISO/TS16949:2002 certified facilities. This catalog represents years of technical and manufacturing expertise which has given us at **EMPI** the ability to offer you this broad range of New Constant Velocity Joints.

This 2007 "D" catalog features the **EMPI** line of New Constant Velocity Joints. This catalog lists over 5000 applications. We offer over 600 Constant Velocity Joints.

Included in this catalog is a complete listing of C.V. Joints by Application, a Buyer's Guide listing C.V. Joints in numerical order and detailed pictures showing Seal Boss Diameter, Spline Counts, Thread Size, Length and much more.

We at **EMPI** are committed to being the best complete line supplier on all the product lines we manufacture.

In addition to the products being offered in this catalog, be sure to review our other product lines:

2004 "A/B" Catalog:

Axle C.V. Boot Kits, Axle Spindle Nuts and Bolts, R & P Bellows Kits, R & P Inner Tie Rod Kits, R & P Mount Bushing Kits, Clutch Alignment Tools.

2006 "E" Catalog:

Complete line of New Complete Drive Axle Assemblies.



**2004 C.V. Joint Boots
Rack & Pinion Components**



2006 E New Complete Drive Axles

Disclaimer:

The information listed in this catalog has been compiled from reliable sources and is correct to the best of our knowledge. **EMPI INC.** cannot and does not accept any responsibility or liability for errors contained herein, or harm resulting there from. We would however, appreciate being advised of any inaccuracies that may come to your attention.

The use of recognized manufacturers (i.e. Ford, GKN, Jeep, NTN, Saginaw, Volkswagen, etc.) and their respective model names/numbers by **EMPI INC.** is for the sole purpose of application and interchanges, and in no way denotes their use to infer or intend a direct connection between **EMPI INC.**, or it's products and those automobile manufacturers or factories.

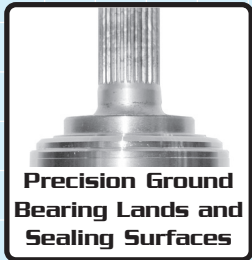
© COPYRIGHT 2006, **EMPI INC.** ANY REPRODUCTION OF, ALL OR PART, OF THIS CATALOG IS STRICTLY PROHIBITED WITHOUT THE WRITTEN CONSENT OF **EMPI INC.** SHOULD ANY OF OUR CUSTOMERS WISH TO REPRODUCE PART OR ALL OF THIS CATALOG, PLEASE SUBMIT A DETAILED REQUEST IN WRITING TO THE ADDRESS ON THE BACK COVER OF THIS CATALOG.

EMPI® is a registered trademark of **EMPI INC.**

Federally registered trademarks are protected pursuant to the Lanham Act and Title 15, administered and regulated through the Patent and Trademark Office, U.S. Department of Commerce, Washington, D.C. 20231. State registered trademarks are protected pursuant to applicable trademarks laws (California Business and Professional Code Section 14200, et. Seq.).



CONSTANT VELOCITY JOINTS



Precision Ground Bearing Lands and Sealing Surfaces



New Cage, Race and C.V. Balls



New Spindle Nut (where required)



All Outboard Joint Kits Assembled with Premium Quality Moly Grease



100% Neoprene C.V. Boots



New Carrier Bearing and Flange (where required)



New Tripods



ABS Sensor Rings (where required)



Precision Cold Rolled Splines and Threads



New Dust Shields (where required)



100% Stainless Steel Boot Clamps

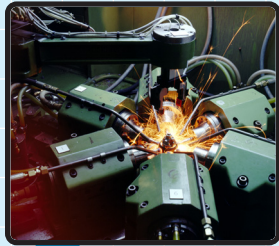
THE EMPI ADVANTAGE

All EMPI New Constant Velocity Joints are meticulously assembled with 100% new EMPI produced components throughout.



CONSTANT VELOCITY JOINTS

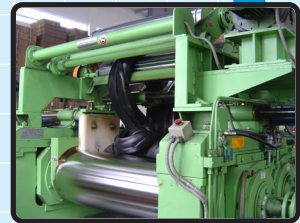
Process automation and testing that provides the consistent quality you demand.



THE EMPI ADVANTAGE



EMPI's technical leadership is respected throughout the industry.



- Continuous process improvement
- Automation provides high level of repeatability
- All Metal Parts are Precision Heat Treated



ISO/TS 16949:2002
QS 9000
ISO 9002
CERTIFIED FACTORY



CNC (Computer Numerically Controlled) equipment that allows EMPI to consistently deliver quality products and produce for "First to Market" opportunities.



TABLE OF CONTENTS

Introduction..... Inside Front Cover-4

Key to Abbreviations 5

Body Style Identification 6-7

G.M. Brake and Suspension I.D...... 8

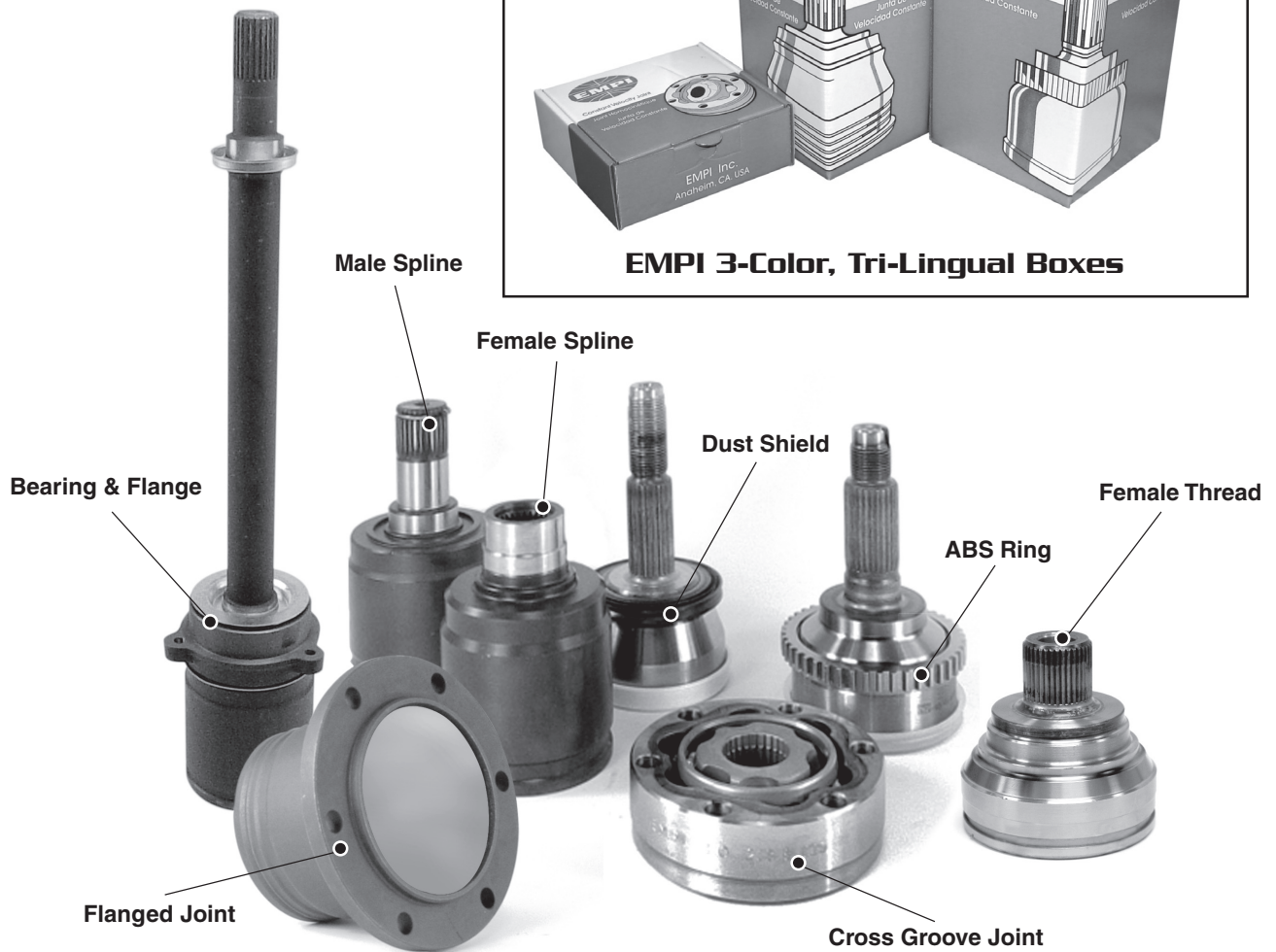
Constant Velocity Joint Ordering / Packaging Information 9

Constant Velocity Joint by Application 10-67

Constant Velocity Joint Illustrations 68-110

Constant Velocity Joint Buyers Guide 111-123

Promotional Items 124-125





KEY TO ABBREVIATIONS

..... Number
 " Inch
 ° Degree
 16V 16 Valve
 2WD Two Wheel Drive
 4WD Four Wheel Drive
 2WS Two Wheel Steering
 4WS Four Wheel Steering
 A/C Air Conditioning
 A/T Automatic Transmission
 ABS Anti-Lock Braking System
 ASR Acceleration Skid Reduction
 AWD All Wheel Drive
 AXOD Automatic Overdrive
 B Both
 CA California
 Carb. Carburetor
 cc Cubic Centimeter
 CH. Chassis
 CHEVY Chevrolet
 Chry. Chrysler
 CID Cubic Inch Displacement
 Cont. Continued
 CONV Convertible
 C.V. Constant Velocity
 Cyl. Cylinder
 Deg. Degree
 DES Design
 Dia. Diameter
 DIFF Differential
 DOHC Dual Overhead Cam
 DOJ Double Offset Joint (Cage, Race & Ball)
 Dr. Door
 EFI Electronic Fuel Injection
 Eng. Engine
 Exc. Except
 F/I Fuel Injection
 Fr. From
 Frt. Front
 FT Foot
 FWD Front Wheel Drive
 GM General Motors
 GVW Gross Vehicle Weight
 H.D. Heavy Duty
 H.O. High Output
 H.P. High Performance
 Hsg. Housing
 I.B. Inboard
 I.D. Identification
 ID Inside Diameter
 I.E. In Example
 IN Inch
 Incl. Including
 Inj. Injection
 Int. Intermediate
 Int'l International
 IRS Independent Rear Suspension
 JT Joint
 L Liter or Left

lb. Pound
 LH Left Hand (Driver Side)
 LSD Limited Slip Differential
 LTS Liters
 M/T Manual Transmission
 MAN Manual
 MAX Maximum
 MERC Mercury
 Min. Minimum
 MITS Mitsubishi
 mm Millimeter
 Mod. Modified
 MPI Multi Port Fuel Injection
 N/A Not Available
 N/R Not Required
 O.B. Outboard
 OD Outside Diameter
 OE Original Equipment
 OEM Original Equipment Manufacturer
 OLDS Oldsmobile
 Pass. Passenger
 Pc Piece
 Pcs. Pieces
 PG Page
 PLY Plymouth
 P/N Part Number
 PROD Produced
 P/U Pickup
 REPL Replaced
 R/G Ring Gear
 RH Right Hand (Passenger Side)
 RPO Regular Production Option
 RWD Rear Wheel Drive
 RR Rear
 S/C Supercharged
 SER# Serial Number
 SHO Super High Output
 SOHC Single Overhead Cam
 Spd. Speed
 Std. Standard
 Susp. Suspension
 TBA To Be Announced
 T/C Traction Control
 T&C Town & Country
 TJ Tripod Joint
 Trans. Transmission
 V Valve
 VGA Variable Gear Ratio
 VIN Vehicle Identification Number
 VW Volkswagen
 Whls. Wheels
 w/ With
 w/o Without



BODY STYLE IDENTIFICATION

Daimler Chrysler/Eagle/Mitsubishi

AA Body	Chrysler LeBaron, Dodge Spirit, Plymouth Acclaim
AB Body	Dodge Monaco, Eagle Premier
AC Body	Chrysler New Yorker, Dodge Dynasty
E Body	Chrysler E Class, Executive, New Yorker, Dodge 600, Plymouth Caravelle
F245 Body	Eagle Talon
FJ Body	Chrysler Sebring, Dodge Avenger, Eagle Talon, Mitsubishi Eclipse
G Body	Chrysler Laser, Dodge Daytona, Lancer, Shelby
H Body	Chrysler LeBaron GTS, Dodge Lancer
J Body	Chrysler LeBaron, 2-Door Convertible
JA Body	Chrysler Cirrus, Dodge Stratus, Plymouth Breeze
JR Body	Chrysler Cirrus, Sebring, Dodge Stratus (Sedan)
JX Body	Chrysler Sebring Convertible, Dodge Avenger, Eagle Talon
K Body	Chrysler Executive, LeBaron, Limousine, Town & Country Wagon, Dodge 400, 600, Aries, Plymouth Reliant
KC Body	Chrysler Limousine
L Body	Dodge 024, Charger 2.2, Omni, Rampage, Plymouth Duster, Horizon, Scamp, TC3, Turismo 2.2
LE Body	Eagle Summit Wagon
LH Body	Chrysler 300M, Concorde, LHS, New Yorker, Dodge Intrepid, Eagle Vision
LX Body	Chrysler 300, 300C, Dodge Magnum, Charger
P Body	Dodge Shadow, Plymouth Sundance
PL Body	Dodge Neon, Plymouth Neon
PR Body	Plymouth Prowler
PT Body	Chrysler PT Cruiser
Q Body	TC by Maserati
Y Body	Chrysler 5th Avenue, Imperial

Daimler Chrysler SUV/Truck/Van

CS Body	Chrysler Pacifica
DN/ND Body	Dodge Dakota, Durango
HB Body	Dodge Durango
KJ Body	Jeep Liberty
NS/S Body	Chrysler Town & Country, Dodge Caravan, Grand Caravan, Plymouth Voyager, Grand Voyager
RS Body	Chrysler Town & Country, Voyager, Grand Voyager, Dodge Caravan, Grand Caravan
WJ Body	Jeep Grand Cherokee
WK Body	Jeep Grand Cherokee

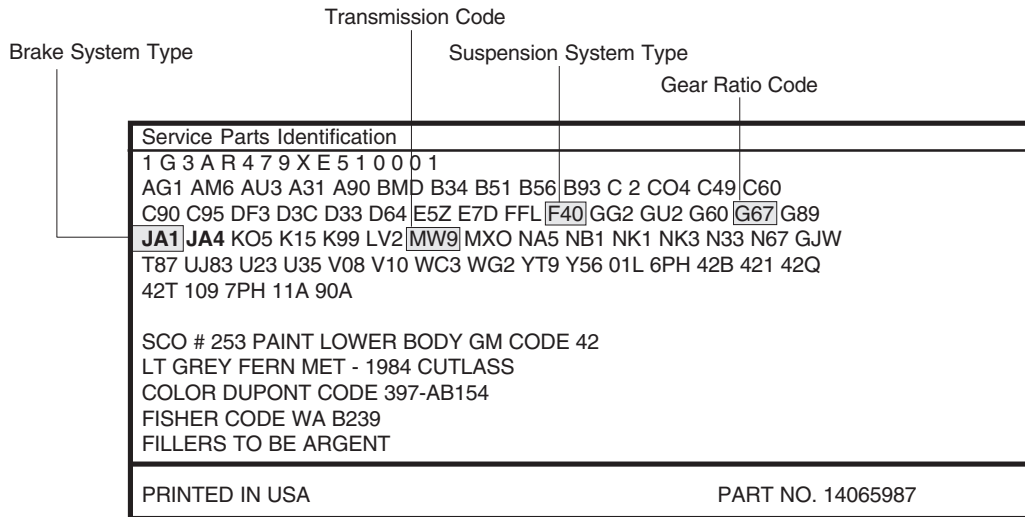
General Motors

A Body	Buick Century, Chevrolet Celebrity, Oldsmobile Cutlass Ciera, Pontiac 6000
C Body	Buick Electra, Park Avenue, Ultra, Cadillac DeVille, Fleetwood, Oldsmobile 98 Regency
D Body	Cadillac CTS
E Body	Buick Riviera, Reatta, Cadillac Concours, Deville, Eldorado, Seville, Oldsmobile Toronado, Trofeo
F Body	Chevrolet Camaro, Pontiac Firebird
G Body	Buick Riviera, Oldsmobile Aurora
H Body	Buick LeSabre, Oldsmobile 88, Delta, LSS, Regency, Royale, Pontiac Bonneville
J Body	Buick Skyhawk, Cadillac Cimarron, Chevrolet Cavalier, Oldsmobile Firenza, Pontiac J2000, Sunbird, Sunfire, Saturn "L" Series
K Body	Cadillac DeVille, Seville
L Body	Chevrolet Beretta, Corsica
M Body	Chevrolet Sprint, Geo Metro
N Body	Buick Skylark, Somerset, Chevrolet Malibu, Oldsmobile Achieva, Alero, Calais, Cutlass, Pontiac, Grand Am
P Body	Pontiac Fiero
R Body	Chevrolet Spectrum, Geo Spectrum, Storm
S Body	Chevrolet Nova, Geo Prizm, Pontiac Vibe
T Body	Chevrolet Chevette, Pontiac LeMans, T-1000



G.M. BRAKE AND SUSPENSION I.D.

In various areas of this catalog reference is made to brake and suspension systems; if brake or suspension system identification becomes necessary, the system type can be determined by locating the service parts identification plate. This plate is located under the trunk lid or on the trunk floor for passenger cars, or on the back of the rear seat for station wagons.



The following chart is a breakdown of GM brake system codes and descriptions per GM parts catalog

GM CODE	YEAR	DESCRIPTION
J41	82-00	Power, Disc, Drum (Cast Iron)
J42	82-92	Power, Rear Aluminum Brake Drum
J55	92-02	Brake System, Heavy Duty
J65	76-00	Power, Front & Rear Disc Brakes
JA1	91-00	Power, Light Duty Disc, Drum
JA2	82-98	Power, Heavy Duty Disc, Drum
JA3	84-86	Power, Extra Heavy Duty
JA3	76-83	Power, Station Wagon
JA8	82-94	Power, Medium Duty Disc, Drum
JL9	87-00	Power, Front & Rear Disc W/Antilock
JM4	84-00	Power, Antilock (Cast Iron Drums)

The following chart is a breakdown of suspension system & axle codes and descriptions per GM parts catalog

GM CODE	DESCRIPTION
F17	Transaxle 2.84:1 Ratio
F41	Firm Ride & Handling Suspension
F83	Transaxle 3.05:1 Ratio
FE1	Soft Ride Suspension
FE2	Ride & Handling Suspension
FE3	Sport Suspension
FE7	Heavy Duty Suspension
FQ3	Transaxle 2.86:1 Ratio
FR9	Transaxle 3.29:1 Ratio
FW2	Transaxle 3.06:1 Ratio
WA2	Material I.D. LeSabre Timing
ZR2	Chassis Package High Wider Performance 4X4



ORDERING INFORMATION

EMPI Constant Velocity Joints may be purchased in Bulk or in Kits. EMPI Constant Velocity Joint Kits come packaged in our distinctive 3-Color Tri-Lingual Box. EMPI bulk Constant Velocity Joints are packed in a Poly Bag. All Constant Velocity Joints are sold each (1) per part number.

To order C.V. Joints in Kit Form, simply add a "K" to the end of the part number.

Boxed C.V. Joint Kit Example (87-9850-K)

"K" Kits Include the following:

- New C.V. Joint
- New Spindle Nut (if applicable)
- New C.V. Boot and Stainless Steel Clamps
- New Retaining Clip and Hardware (if applicable)
- New ABS Ring installed (if applicable)
- New Inboard Bearing and/or Flange (if applicable)
- New Moly Grease Packed in Outboards, 4 oz. Packet supplied with Inboards
- Packaged in our distinctive 3-Color, Tri-Lingual Box



Bulk C.V. Joint Example (87-9850-0)

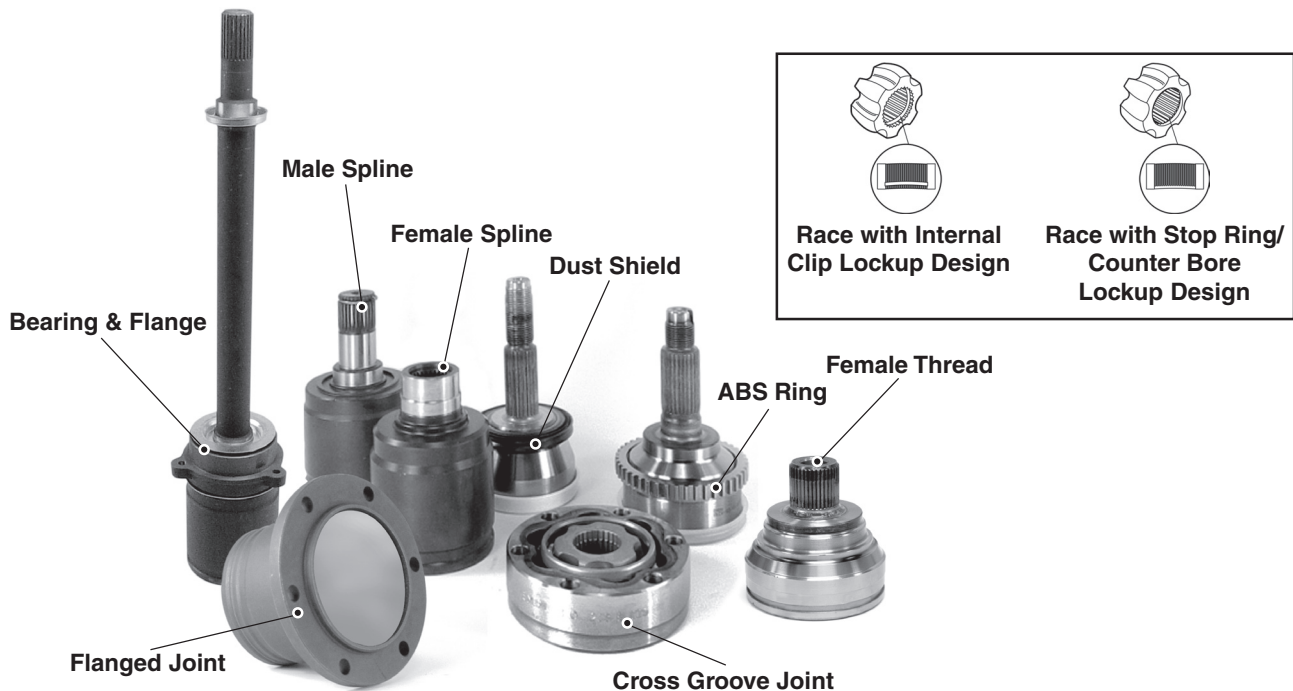
"0" Bulk includes the following:

- New C.V. Joint
- New ABS Ring installed (if applicable)
- New Inboard Bearing and/or Flange (if applicable)
- Packaged in a Poly Bag



Important Details:

- EMPI C.V. Joints may be a different design than Original Equipment.
- EMPI Inboard Joints may be Tripod Design instead of D.O.J. Design (Cage, Race & Ball Bearings)
- EMPI may replace a Trilobal or Thermoplastic C.V. Boot with a Round 100% Neoprene C.V. Boot.
- EMPI may replace a "Y" Shaped Inboard Joint with a "Round" Shaped Inboard Joint.
- EMPI C.V. Joints have the Dust Shields installed, but not all C.V. Joints come with Dust Shields.
- EMPI Inboard Joints have the Bearing and/or Flange installed (if applicable).
- EMPI Outboard Joints have the ABS Ring installed (if applicable).
- EMPI Outboard Joints may substitute an Internal Clip Race Lockup for a Counter Bore/Stop Ring Lockup Race.





CONSTANT VELOCITY JOINTS

MODEL YEARS SPECIFICATION / SIDE C.V. JOINT w/ ABS C.V. JOINT w/o ABS

Acura

CL 2.2, 2.3

Outboard	97-99		87-8936	87-9848
Inboard	97-99	A/T		87-9859
	97-99	M/T, Driver		87-9854
	97-99	M/T, Passenger		87-9859

CL 3.0, 3.2

Outboard	97-03		87-8936	87-9848
Inboard	97-01	Passenger		87-9854

Integra

Outboard	86-89			87-9801
	90-93	32 Spline Race	87-9962	87-9849
	94-01	GS-R, Type R, (32 Spline Race)	87-8813	87-9849
	96-01	Exc. GS-R & Type R, (30 Spline Race)	87-9571	87-9850
Inboard	86-89	Driver		87-9854
	86-89	Passenger		87-9575
	90-93	Driver		87-9854
	90-95	Passenger, (32 Spline Tripod)		87-9575
	96-01	Passenger, GSR, Type R, (32 Spline Tripod)		87-9575

Legend

Outboard	86-90		87-9814	87-9813
	91-95		87-9981	87-9939
Inboard	86-88			87-9858
	89-90	Driver		87-9858
	89-90	Passenger		87-9860
	91-95	Driver		87-9516
	91-95	Passenger		87-9517

RL

Outboard	96-98		87-9574	87-8971
-----------------	-------------	--	----------------	---------

RSX

Outboard	02-04	Base Model	87-6750	
	02-04	Type S	87-6765	

TL 2.5

Outboard	95-98		87-9574	87-8971
Inboard	95-98	Driver		87-9577

TL 3.2

Outboard	96-98		87-9574	87-8971
	00-03		87-8936	87-9848
Inboard	99-00	Passenger		87-9854

Acura SUV/Truck/Van

SLX (AWD)

Outboard	96-11/97 ...	Front		87-9582
	12/97-99 ...	Front		87-8881
Inboard	96-11/97 ...	Front		87-9095



CONSTANT VELOCITY JOINTS

MODEL YEARS SPECIFICATION / SIDE C.V. JOINT w/ ABS C.V. JOINT w/o ABS

Audi

80

Outboard	88-4/88 To Ch. #89-J-373-598	87-9815
	4/88-92 From Ch. #89-J-373-599	87-9983 87-9982
Inboard	1988 A/T, (90mm)	87-9916
	1988 M/T, (108mm)	87-9508
	89-90 2.0L, (100mm)	87-9807
	91-92 2.3L, A/T, 3 Spd., (108mm)	87-9508
	91-92 2.3L, M/T, (108mm)	87-9508

80 Quattro

Outboard	88-92 Front	87-9983 87-9982
	88-3/88 Rear , (26 Spline Stub)	87-9817 87-9816
	4/88-92 Rear	87-9983 87-9982
Inboard	88-92 Front, 2.3L, (100mm)	87-9807
	88-6/90 Rear , 2.3L, To Ch. #8-AL-360-000, (100mm)	87-9807
	7/90-92 Rear , 2.3L, From Ch. #8-AL-360-001, (90mm)	87-9916

90, CS, S

Outboard	88-4/88 2.0L, To Ch. #89-J-373-598	87-9815
	4/88-92 2.3L, From Ch. #89-J-373-599	87-9983 87-9982
	93-95	87-9505
Inboard	88-92 Exc. A/T, 4 Spd., (108mm)	87-9508
	93-95 2.8L	87-9086

90 Quattro

Outboard	88-89 Front	87-9983 87-9982
	90-95 Front	87-9506
	88-95 Rear	87-9983 87-9982
Inboard	88-95 Front & Rear , (100mm)	87-9807

100, CS, LS, S

Outboard	74-77	87-9816
	1989 A/T	87-9984 87-9816
	92-94	87-9505
Inboard	1989 108mm	87-9508
	90-91 Exc. A/T, 4 Spd., (108mm)	87-9508
	92-94	87-9086

100 Quattro

Outboard	92-94 Front	87-9505
Inboard	89-94 Front, M/T, (108mm)	87-9508
	1992 Front, A/T, To Ch. #4-AN-140-000, (108mm)	87-9508
	92-94 Front, A/T, From Ch. #4-AN-140-001	87-9086
	89-94 Rear , (108mm)	87-9508

200 Turbo

Outboard	89-91 A/T	87-8873 87-9818
Inboard	89-91 108mm	87-9508

200 Turbo Quattro

Inboard	89-91 Front & Rear , (108mm)	87-9508
----------------	---	---------

4000, S

Outboard	80-81 4 Cyl., To Ch. #81-B-020-000	87-9811
	80-81 5 Cyl.	87-9811
	81-84 4 Cyl., From Ch.#81-B-020-001	87-9810



CONSTANT VELOCITY JOINTS

MODEL YEARS SPECIFICATION / SIDE C.V. JOINT w/ ABS C.V. JOINT w/o ABS

Audi (Continued)

4000, S (Cont.)

Outboard	82-83 5 Cyl., To Ch. #81-D-077-973	87-9810
	1983 5 Cyl., From Ch. #81-D-077-974	87-9815
	85-87 4 Cyl.	87-9815
Inboard	80-83 To Ch. #81-D-077-973, (90mm).....	87-9916
	83-87 From Ch. #81-D-077-974, (100mm)	87-9807

4000 Quattro

Outboard	84-87 Front	87-9815
	84-4/85 Rear	87-9818
	5/85-87 Rear	87-9958 87-9818
Inboard	84-87 Front, (100mm).....	87-9807
	84-87 Rear , (108mm).....	87-9508

5000

Outboard	78-84	87-9816
	85-88	87-9817 87-9816
Inboard	78-88 108mm	87-9508

5000 Turbo

Outboard	80-88	87-9958 87-9818
Inboard	80-88 108mm	87-9508

5000 Turbo Quattro

Outboard	86-88 Front & Rear	87-9817 87-9816
Inboard	86-88 Front & Rear , (108mm)	87-9508

A4

Outboard	96-00 2.8L	87-9046
	97-00 1.8L	87-9008
	2001	87-9046
Inboard	96-00 2.8L	87-9086
	97-00 1.8L, M/T, (108mm)	87-9508
	04-05 1.8L, M/T	87-8733
	2005 2.0L, 3.0L	87-8733

A4 Quattro

Outboard	96-00 2.8L, Front	87-8884
	99-00 1.8L, Front	87-9008
	2001	87-8884
Inboard	96-98 Front	87-9086
	1996 2.8L, Rear , (100mm).....	87-9807
	2005 1.8L, A/T.....	87-8733
	2005 3.0L	87-8733

A6

Outboard	95-98 To Ch. #4AW-005-000	87-9505
	98-04 From Ch. #4AW-005-001	87-9046
Inboard	95-98 To Ch. #4AW-005-000	87-9086

A6 Quattro

Outboard	95-98 To Ch. #4AW-005-000	87-9505
	98-04 From Ch. #4AW-005-001	87-9046
Inboard	95-98 A/T, To Ch. #4AW-005-000	87-9086
	95-98 M/T, To Ch. #4AW-005-000, (108mm)	87-9508
	2005 3.2L, 4.2L	87-8733



CONSTANT VELOCITY JOINTS

MODEL YEARS SPECIFICATION / SIDE C.V. JOINT w/ ABS C.V. JOINT w/o ABS

Audi (Continued)

A8

Outboard	97-99	87-9046	
Inboard	97-99		87-9086

A8 Quattro

Outboard	97-03 Front	87-9046	
	97-99 Rear	87-9046	
Inboard	97-99 Front		87-9086
	2005 4.2L		87-8733

Allroad Quattro

Outboard	01-05 Front	87-9046	
-----------------	-------	-------------	---------	--

Cabriolet

Outboard	94-98	87-9505	
Inboard	94-98		87-9086

Coupe

Outboard	81-83 To Ch. #85-D-079-180		87-9811
	83-87 From Ch. #85-D-079-181		87-9815
Inboard	81-83 To Ch. #85-D-079-180, (90mm)		87-9916
	83-87 From Ch. #85-D-079-181, (100mm)		87-9807

Coupe Quattro

Outboard	90-91 Front	87-9506	
	90-91 Rear	87-9983	87-9982
Inboard	90-91 Front & Rear , (100mm)		87-9807

Fox

Outboard	73-79		87-9811
Inboard	73-79 90mm		87-9916

Quattro

Outboard	82-85 Front & Rear		87-9818
Inboard	82-85 Front & Rear , (100mm)		87-9807

RS6

Outboard	03-04 Front	87-9046	
-----------------	-------	-------------	---------	--

S4

Outboard	92-94 Front	87-9505	
	00-02 Front	87-9046	
Inboard	92-94 Front & Rear , (108mm)		87-9508
	00-02 Front, A/T		87-9086
	04-05 4.2L		87-8733

S6

Outboard	95-96 Front	87-9505	
	02-04 Front	87-9046	
Inboard	95-96 Front & Rear , (108mm)		87-9508

S8

Outboard	01-03 Front	87-9046	
-----------------	-------	-------------	---------	--

TT

Outboard	00-02		87-9669
-----------------	-------	-------	--	---------

TT Quattro

Inboard	00-02 Rear , (100mm)		87-9807
----------------	-------	-----------------------------	--	---------



CONSTANT VELOCITY JOINTS

MODEL YEARS SPECIFICATION / SIDE C.V. JOINT w/ ABS C.V. JOINT w/o ABS

Audi (Continued)

V8 Quattro

Outboard	90-94 Front	87-9505
Inboard	90-94 <i>Rear</i> , (108mm)	87-9508

Buick

Century

Outboard	82-89 LD Brakes ^{#4} , (29 Spline Race).....	87-9832
	83-87 HD Brakes ^{#4} , (32 Spline Race).....	87-9964
	87-89 LD Brakes ^{#4} , (32 Spline Race).....	87-9011
	88-93 HD Brakes ^{#4} , (32 Spline Race).....	87-9964
	89-93 HD Brakes ^{#4} , (29 Spline Race).....	87-9972
	94-05 HD Brakes ^{#4} , (32 Spline Race).....	87-9838
Inboard	84-93 LD Brakes ^{#4} , A/T, 3 Spd., Driver	87-9110
	84-99 HD Brakes ^{#4} , A/T, 4 Spd., Driver.....	87-9109
	84-99 HD Brakes ^{#4} , Passenger.....	87-9108

Electra

Outboard	85-91	87-9964
Inboard	85-91 Driver.....	87-9109
	85-91 Passenger	87-9108

LaCrosse

Outboard	2005 3.8L	87-9838
Inboard	2005 3.6L, Driver.....	87-9722
	2005 3.6L, Passenger	87-9723

LeSabre

Outboard	86-91	87-9964
	92-95	87-9838
	96-04 2.84 (F17), 2.86 (FQ3) Gear Ratio, (32 Spline race).....	87-9838
Inboard	86-95 Driver.....	87-9109
	86-95 Passenger	87-9108
	96-97 3.8L, 2.84 (F17) Gear Ratio, Driver	87-9109
	96-99 3.8L, 2.84 (F17), 2.86 (FQ3) Gear Ratio, Passenger	87-9108
	00-05 3.8L, 3.06 (FW2) Gear Ratio, Driver.....	87-9722
	00-05 3.8L, 3.06 (FW2) Gear Ratio, Passenger	87-9723

Park Avenue

Outboard	85-90	87-9964
	91-94 3.8L, (32 Spline Race).....	87-9838
	95-96 w/2.84 (F17) Gear Ratio, w/o Supercharger.....	87-9838
Inboard	85-91 Driver.....	87-9109
	85-91 Passenger	87-9108
	92-94 w/o Supercharger, Driver.....	87-9109
	92-94 w/o Supercharger, Passenger	87-9108
	95-96 w/2.84 (F17) Gear Ratio, w/o Supercharger, Driver	87-9109
	95-96 w/2.84 (F17) Gear Ratio, w/o Supercharger, Passenger.....	87-9108
	97-99 3.8L, Supercharged, Passenger.....	87-9724

Reatta

Outboard	1988 27 Spline Stub	87-9964
	89-91 33 Spline Stub	87-8988 87-8966



CONSTANT VELOCITY JOINTS

MODEL YEARS SPECIFICATION / SIDE C.V. JOINT w/ ABS C.V. JOINT w/o ABS

Buick (Continued)

Regal

Outboard	88-96	87-9323	87-9837
	97-04 w/o Supercharger		87-9838
Inboard	88-96 Driver		87-9109
	88-96 Passenger		87-9108
	97-99 w/o Supercharger, Driver		87-9109
	97-99 w/o Supercharger, Passenger		87-9108
	02-04 3.8L, Driver		87-9722

Riviera

Outboard	86-87 27 Spline Stub		87-9964
	1988 27 Spline Stub		87-9964
	89-91 33 Spline Stub	87-8988	87-8966
	92-93 32 Spline Race		87-9838
Inboard	86-87 Driver		87-9109
	86-87 Passenger		87-9108
	97-99 3.8L, Supercharged, Passenger		87-9724

Skyhawk

Outboard	82-89 29 Spline Race		87-9832
	1985 M/T, 4 Spd., Muncie Design, (32 Spline Race)		87-9011
	1986 T-Type, (32 Spline Race)		87-9011
Inboard	83-89 A/T, Driver		87-9110
	85-87 M/T, Turbo		87-9108

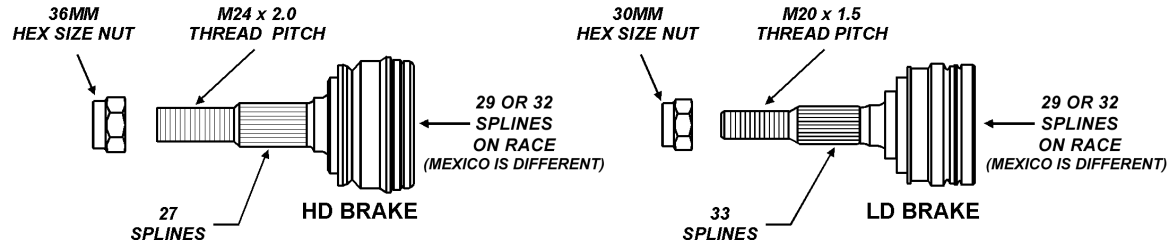
Skylark

Outboard	80-90 29 Spline Race		87-9832
	86-87 M/T, (32 Spline Race)		87-9011
	91-96 29 Spline Race	87-9317	87-9832
	97-98 32 Spline Race	87-8945	
Inboard	83-88 A/T, 3 Spd., Driver		87-9110
	86-88 M/T		87-9108
	89-95 A/T, 3 Spd., Driver		87-9110
	94-95 A/T, 4 Spd., Driver		87-9109
	94-95 A/T, 4 Spd., Passenger		87-9108
	96-98 Driver		87-9109
	96-98 Passenger		87-9108

Somerset

Outboard	85-87 29 Spline Race		87-9832
	85-87 32 Spline Race		87-9011
Inboard	85-87 A/T, Driver		87-9110
	85-87 M/T		87-9108

#4 Note: To determine the type of brakes on 1982-1993 Buick Century, examine the spindle threads on the outer C.V. Joint.





CONSTANT VELOCITY JOINTS

MODEL YEARS SPECIFICATION / SIDE C.V. JOINT w/ ABS C.V. JOINT w/o ABS

Buick SUV/Truck/Van

Ranier (AWD)				
Outboard	04-05			87-8920
Inboard	04-05			87-9112

Rendezvous				
Inboard	02-05	Driver		87-9732
	02-05	Passenger, AWD		87-9733

Buick (International Models) See G.M. (International Models)

Cadillac

Allante				
Outboard	87-88	27 Spline Stub		87-9964
	89-92	33 Spline Stub	87-8988	87-8966
Inboard	87-88	Driver		87-9109
	87-88	Passenger		87-9108
	1993			87-9138

Cimarron				
Outboard	82-85			87-9832
	1986	M/T, 4 Spd		87-9011
	1986	M/T, 5 Spd		87-9832
	86-88	A/T		87-9832
	87-88	M/T		87-9011
Inboard	83-88	A/T, Driver, (29 Spline Tripod)		87-9110
	86-88	6 Cyl., M/T, (32 Spline Tripod)		87-9108
	1988	6 Cyl., M/T, (Tripod Design, 32 Spline), Passenger		87-9108

Concours				
Inboard	94-97			87-9138

DeVille, Fleetwood				
Outboard	85-89			87-9964
	90-91	w/o J55 H.D. Brakes, (27 Spline Stub)		87-9964
	90-93	w/J55 H.D. Brakes, (33 Spline Stub)		87-8966
	92-93	w/o J55 H.D. Brakes, (33 Spline Stub)		87-9838
	94-95			87-9838
Inboard	85-87	Driver		87-9109
	85-87	Passenger		87-9108
	96-98			87-9138

Eldorado				
Outboard	67-78			87-9153
	86-87	27 Spline Stub		87-9964
	1988	27 Spline Stub		87-9964
	89-91	33 Spline Stub	87-8988	87-8966
	92-93	4.9L, (32 Spline Race)		87-9838
Inboard	86-87	Driver		87-9109
	86-87	Passenger		87-9108
	93-98	4.6L		87-9138

Seville				
Outboard	86-87	27 Spline Stub		87-9964
	1988	27 Spline Stub		87-9964
	89-91	33 Spline Stub	87-8988	87-8966
	92-93	4.9L, (32 Spline Race)		87-9838



CONSTANT VELOCITY JOINTS

MODEL	YEARS	SPECIFICATION / SIDE	C.V. JOINT w/ ABS	C.V. JOINT w/o ABS
-------	-------	----------------------	-------------------	--------------------

Cadillac (Continued)

Seville (Cont.)

Inboard	86-87	Driver		87-9109
	86-87	Passenger		87-9108
	93-97	4.6L		87-9138

Cadillac SUV/Truck/Van

Escalade

Outboard	99-05			87-9919
-----------------	-------	--	--	---------

Chevrolet/Geo

Beretta, Corsica

Outboard	87-91	29 Spline Race		87-9832
	87-91	32 Spline Race		87-9011
	92-95	29 Spline Race	87-9317	87-9832
	92-96	32 Spline Race	87-8945	87-9011
Inboard	87-91	4 Cyl., A/T, 3 Spd., Driver		87-9110
	87-91	6 Cyl., A/T, 3 Spd., Driver		87-9110
	87-91	6 Cyl., M/T, 5 Spd., (Tripod Design)		87-9108

Cavalier

Outboard	82-91	29 Spline Race		87-9832
	85-91	32 Spline Race		87-9011
	92-94		87-9317	87-9832
	1995	A/T, 3 Spd., (29 Spline Race)	87-9317	87-9832
	1995	M/T, (32 Spline Race)	87-8945	87-9011
	95-96	A/T, 4 Spd., (32 Spline Race)	87-8945	87-9011
	97-05	32 Spline Race	87-8945	
Inboard	84-89	A/T, 3 Spd., Driver		87-9110
	85-89	6 Cyl., M/T, 5 Spd., (Tripod Design)		87-9108
	90-95	A/T, 3 Spd., Driver		87-9110
	1995	2.3L, A/T, 4 Spd.		87-8963
	95-96	2.2L, A/T, 4 Spd., (Exc. DOHC)		87-8963
	96-01	2.4L, A/T, 4 Spd.		87-8963
	02-05	A/T		87-8963

Celebrity

Outboard	82-90	LD Brakes ^{#4} , (29 Spline Race)		87-9832
	83-90	HD Brakes ^{#4} , (32 Spline Race)		87-9964
	86-90	LD Brakes ^{#4} , (32 Spline Race)		87-9011
	89-90	HD Brakes ^{#4} , (29 Spline Race)		87-9972
Inboard	84-90	A/T 3 Spd., Driver		87-9110
	84-90	A/T 4 Spd., Driver		87-9109
	84-90	A/T 4 Spd., Passenger		87-9108
	87-89	M/T, (Tripod Design)		87-9108

Citation

Outboard	80-85	29 Spline Race		87-9832
-----------------	-------	----------------	--	---------

Classic

Outboard	04-05			87-8947
-----------------	-------	--	--	---------

Impala

Outboard	00-05	2.86 (FQ3), 3.05 (F83) Drive Ratio, (32 Spline Race)		87-9838
Inboard	00-02	3.4L, Driver		87-9722
	00-02	3.4L, Passenger		87-9723



CONSTANT VELOCITY JOINTS

MODEL YEARS SPECIFICATION / SIDE C.V. JOINT w/ ABS C.V. JOINT w/o ABS

Chevrolet/Geo (Continued)

Impala (Cont.)

Inboard	00-05 3.8L, Driver	87-9722
	00-05 3.8L, Passenger	87-9723

Lumina

Outboard	90-91 A/T, 3 Spd.....	87-9973
	92-93 A/T, 3 Spd.....	87-9318 87-9973
	90-91 Exc. A/T, 3 Spd.....	87-9837
	92-01 Exc. A/T, 3 Spd.....	87-9323 87-9837
Inboard	90-93 A/T, 3 Spd., Driver	87-9110
	90-94 A/T, 4 Spd., Driver	87-9109
	90-94 A/T, 4 Spd., Passenger.....	87-9108
	95-99 A/T, 4 Spd., (Exc. M15 Enhanced Electronics), Driver	87-9109
	95-99 A/T, 4 Spd., Passenger.....	87-9108

Malibu

Outboard	97-03	87-8947
Inboard	97-03	87-8963

Metro

Outboard	89-94 Housing Stamped 75 LAC.....	87-9912
	95-00 Housing Stamped 75 LAC.....	87-9642 87-9671
Inboard	89-94 Housing Stamped TJ 75.....	87-9675

Monte Carlo

Outboard	95-99 32 Spline Race	87-9323 87-9837
	00-05 2.86 (FQ3), (3.05 F83) Drive Ratio, (32 Spline Race).....	87-9838
Inboard	95-99 Driver, (Exc. M15 Enhanced Electronic).....	87-9109
	95-99 Passenger	87-9108
	00-02 3.4L, Driver.....	87-9722
	00-02 3.4L, Passenger	87-9723
	00-05 3.8L, Driver.....	87-9722
	00-05 3.8L, Passenger	87-9723

Nova

Outboard	85-88 DOHC M/T, SOHC.....	87-9833
-----------------	---------------------------------	----------------

Prizm

Outboard	89-92 Exc. GSi.....	87-9833
	90-92 GSi	87-9657
	93-00	87-9644 87-9510
Inboard	93-02	87-9664

Spectrum

Outboard	85-87 NTN Design, (22 Spline Race)	87-9834
	88-89 A/T, Driver, NTN Design, (22 Spline Race)	87-9834
	88-89 A/T, Passenger, NSK Design, (21 Spline Race).....	87-9835
	88-89 M/T, NTN Design, (22 Spline Race)	87-9834

Sprint

Outboard	85-88	87-9911
-----------------	-------------	----------------

Storm

Outboard	90-93 DOHC, M/T.....	87-9581
	90-93 SOHC, Driver, (22 Spline Race)	87-9682
	90-93 SOHC, Passenger, (21 Spline Race)	87-9681



CONSTANT VELOCITY JOINTS

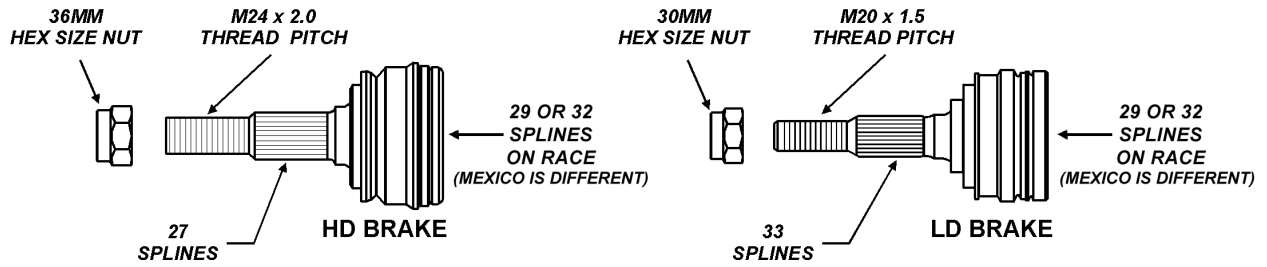
MODEL YEARS SPECIFICATION / SIDE C.V. JOINT w/ ABS C.V. JOINT w/o ABS

Chevrolet/Geo (Continued)

Storm (Cont.)

Inboard	90-93SOHC, Driver.....	87-9677
	90-93SOHC, Passenger.....	87-9676

#4 Note: To determine the type of brakes on 1982-1990 Chevrolet Celebrity, examine the spindle threads on the outer C.V. Joint.



Chevrolet/Geo SUV/Truck/Van

Astro (AWD)

Outboard	90-02	87-9919
Inboard	90-96	87-9567

Avalanche (4WD)

Outboard	02-05 1500	87-9919
	02-05 2500	87-8891

Blazer, K1500, K2500, K3500 (4WD)

Outboard	88-91 From 8600 lbs. GVW	87-9918
	88-91 Up to 7200 lbs. GVW	87-9919
	92-94 From 8600 lbs. GVW	87-9407 87-9918
	92-94 Up to 7200 lbs. GVW	87-9566 87-9919
	95-97 From 8600 lbs. GVW	87-9918
	95-00 Up to 7200 lbs. GVW	87-9919
	98-00 From 8600 lbs. GVW	87-8891
Inboard	88-97 From 8600 lbs. GVW	87-9568
	88-97 Up to 7200 lbs. GVW	87-9840

Equinox

Outboard	2005 Front	87-8711
-----------------	------------------------	----------------

Lumina APV, Venture

Outboard	90-91	87-9964
	92-04	87-9838
Inboard	90-91 Passenger	87-9108
	92-95 A/T, 3 Spd., Passenger	87-9108
	92-95 A/T, 4 Spd., Driver	87-9109
	92-95 A/T, 4 Spd., Passenger	87-9108

Luv (4WD)

Outboard	79-82	87-9862
-----------------	-------------	----------------

S10, S10 Blazer (4WD)

Outboard	82-96	87-9965
	97-05	87-8920
Inboard	82-96	87-9567
	97-05 Driver	87-9112
	97-05 Passenger	87-9113



CONSTANT VELOCITY JOINTS

MODEL YEARS SPECIFICATION / SIDE C.V. JOINT w/ ABS C.V. JOINT w/o ABS

Chevrolet/Geo SUV/Truck/Van (Continued)

Silverado Pickup

Outboard	99-00	1500	87-9919
	99-00	2500, 3500	87-8891
	01-05	1500, (Exc. Extended Cab)	87-9919
	01-05	1500 Extended Cab, 1500 HD	87-8891
	01-05	2500, 3500	87-8891

Suburban, Tahoe

Outboard	88-91	From 8600 lbs. GVW & 1500 w/Diesel	87-9918
	88-91	Up to 7200 lbs. GVW, (Exc. Diesel)	87-9919
	92-94	From 8600 lbs. GVW & 1500 w/Diesel	87-9407 87-9918
	92-94	Up to 7200 lbs. GVW, (Exc. Diesel)	87-9566 87-9919
	95-97	From 8600 lbs. GVW	87-9918
	95-05	Up to 7200 lbs. GVW	87-9919
	98-05	From 8600 lbs. GVW	87-8891
Inboard	88-98	From 8600 lbs. GVW	87-9568
	88-97	Up to 7200 lbs. GVW	87-9840

Tracker

Outboard	89-95		87-9923
-----------------	-------	--	---------

Trailblazer (4WD)

Outboard	02-04		87-8920
Inboard	02-04		87-9112

Chevrolet (Int'l Models) See G.M. (Int'l Models) Chrysler

300M

Outboard	99-01		87-8957 87-8956
	02-04	Exc. Special	87-8957 87-8956
Inboard	99-00		87-9535
	02-04	Exc. Special	87-9535
	02-04	Special	87-9748

Cirrus

Outboard	95-97		87-9529 87-9528
	98-99		87-9491 87-9528
Inboard	2000		87-9125

Concorde

Outboard	93-95		87-9933 87-9820
	96-97		87-8992 87-9820
	98-04		87-8957 87-8956
Inboard	93-04		87-9535

E Class

Outboard	83-84	ACI	87-9824
	83-84	Citroen	87-9823
Inboard	83-84	w/o Turbo, Citroen, Driver	87-9129
	83-84	w/o Turbo, Citroen, Passenger	87-9131
	1984	Turbo, Citroen, Both	87-9129



CONSTANT VELOCITY JOINTS

MODEL YEARS SPECIFICATION / SIDE C.V. JOINT w/ ABS C.V. JOINT w/o ABS

Chrysler (Continued)

Fifth Avenue

Outboard	1990	GKN.....	87-9953	87-9819
	1990	Saginaw, (29 Spline Race)	87-8923	87-8922
	91-93	Saginaw, (32 Spline Race)	87-8925	87-9528
Inboard	1990	GKN, Passenger.....		87-9534

Imperial

Outboard	1990	GKN.....	87-9953	87-9819
	1990	Saginaw, (29 Spline Race)	87-8923	87-8922
	91-93	Saginaw, (32 Spline Race)	87-8925	87-9528
Inboard	1990	GKN, Driver		87-9940
	1990	GKN, Passenger.....		87-9534

Laser

Outboard	84-86	ACI		87-9824
	84-86	Citroen.....		87-9823
Inboard	85-86	w/o Turbo, Citroen, Driver		87-9129
	85-86	w/o Turbo, Citroen, Passenger		87-9131
	85-86	Turbo, Citroen, Both.....		87-9129

LeBaron, Convertible, Coupe, Sedan, GTC, GTS

Outboard	82-87	Citroen.....		87-9823
	84-88	ACI		87-9824
	86-89	Saginaw, (29 Spline Race)		87-8922
	87-89	GKN, (32 Spline Race)		87-9819
	90-93	GKN, (32 Spline Race).....	87-9953	87-9819
	90-91	Saginaw, (29 Spline Race)	87-8923	87-8922
	92-93	Saginaw, (32 Spline Race)	87-8925	87-9528
	92-95	GKN, (30 Spline Race)	87-9977	87-9976
	Inboard	83-86	w/o Turbo, Citroen, Driver	
83-86		w/o Turbo, Citroen, Passenger		87-9131
84-86		Turbo, Citroen, Both.....		87-9129
87-90		w/o Turbo, GKN, Driver.....		87-9940
87-90		w/o Turbo, GKN, Passenger		87-9534
88-90		Turbo, GKN, Both		87-9940
91-93		w/o Turbo, GKN, Driver, (32 Spline Tripod)		87-9937
91-93		w/o Turbo, GKN, Passenger, (32 Spline Tripod)		87-9938
91-93	Turbo, GKN, Both (32 Spline Tripod)		87-9937	

LHS

Outboard	94-95		87-9933	87-9820
	96-97		87-8992	87-9820
	98-01		87-8957	87-8956
Inboard	94-01			87-9535

Limousine

Outboard	83-87	Citroen.....		87-9823
	1987	GKN.....		87-9819
Inboard	85-86	w/o Turbo, Citroen, Driver		87-9129
	85-86	w/o Turbo, Citroen, Passenger		87-9131
	85-86	w/ Turbo, Citroen, Both		87-9129
	1987	GKN, Driver		87-9940
	1987	GKN, Passenger.....		87-9534



CONSTANT VELOCITY JOINTS

MODEL YEARS SPECIFICATION / SIDE C.V. JOINT w/ ABS C.V. JOINT w/o ABS

Chrysler (Continued)

New Yorker

Outboard	83-87	Citroen.....		87-9823
	84-88	ACI		87-9824
	86-88	Saginaw, (29 Spline Race)		87-8922
	88-90	GKN.....	87-9953	87-9819
	89-90	Saginaw, (29 Spline Race)	87-8923	87-8922
	91-93	Saginaw, (32 Spline Race)	87-8925	87-9528
	94-95	Saginaw.....	87-9933	87-9820
	1996	Saginaw.....	87-8992	87-9820
Inboard	83-86	w/o Turbo, Citroen, Driver		87-9129
	83-86	w/o Turbo, Citroen, Passenger		87-9131
	84-86	Turbo, Citroen, Both.....		87-9129
	88-90	GKN, Driver		87-9940
	88-90	GKN, Passenger.....		87-9534
	94-96	Saginaw.....		87-9535

PT Cruiser

Inboard	02-03	A/T, Turbo, Passenger.....		87-9749
	2003	M/T, Turbo, Passenger		87-8746

Sebring Conv.

Outboard	96-97		87-9075	87-9074
	98-99		87-9491	87-9528
	00-05		87-9735	87-9734
Inboard	00-05			87-9125

Sebring Coupe

Outboard	95-99	6 Cyl.	87-9601	87-9090
Inboard	95-99	4 Cyl.		87-9461
	01-05	6 Cyl., Driver.....		87-9021

Sebring Sedan

Outboard	01-05		87-9735	87-9734
Inboard	01-05			87-9125

TC by Maserati

Outboard	88-91			87-9819
Inboard	88-90	Driver.....		87-9940
	88-90	Passenger		87-9534

Town & Country

Outboard	83-87	Citroen.....		87-9823
Inboard	83-86	w/o Turbo, Citroen, Driver		87-9129
	83-86	w/o Turbo, Citroen, Passenger		87-9131
	84-86	Turbo, Citroen, Both.....		87-9129

Chrysler SUV/Truck/Van

Pacifica

Outboard	04-06			87-6751
-----------------	-------------	--	--	---------

Town & Country

Outboard	90-91		87-9953	87-9819
	92-95	Exc. 2.5L, A/T, 3 Spd	87-9953	87-9819
	92-95	2.5L, A/T, 3 Spd.....	87-9977	87-9976
	96-00		87-9352	87-9819



CONSTANT VELOCITY JOINTS

MODEL YEARS SPECIFICATION / SIDE C.V. JOINT w/ ABS C.V. JOINT w/o ABS

Chrysler SUV/Truck/Van (Continued)

Town & Country (Cont.)

Inboard	92-95	Driver	87-9937
AWD	92-00	Passenger	87-9727
	96-04	Driver	87-9536
	01-04	Passenger	87-9728
Inboard	1990	GKN, Driver	87-9940
FWD	1990	GKN, Passenger	87-9534
	91-95	GKN, Driver	87-9937
	91-95	GKN, Passenger	87-9938
	96-00	Driver	87-9536
	96-00	Passenger	87-9537

Chrysler (International Models)

Cirrus

Outboard	96-98	87-9075	87-9074
	1999	87-9076	87-9074

Dart

Outboard	84-86	87-9683	
	87-88	87-9684	
Inboard	87-88	A/T, Driver	87-9119

LeBaron

Outboard	82-86	87-9683	
	87-88	87-9684	
	89-90	Turbo	87-9684
Inboard	87-88	A/T, Driver	87-9119
	88-90	Turbo	87-9119

Magnum

Outboard	84-86	87-9683
	87-89	87-9684
Inboard	87-89	87-9119

Neon

Outboard	94-97	87-9934	87-9821
	98-99	87-9062	87-9821
	00-04	87-9117	87-9116

New Yorker

Outboard	84-86	87-9683	
	87-90	M/T & Turbo	87-9684
	1989	A/T	87-9684
	90-94	A/T & Turbo, (Exc. made in USA)	87-9077
	90-94	A/T, Turbo, made in USA	87-9819
Inboard	87-89	M/T, Driver	87-9119
	88-90	Turbo, Both Sides	87-9119
	90-94	Driver	87-9068

Phantom

Outboard	84-86	87-9683	
	87-90	87-9684	
	90-94	Exc. made in USA	87-9077
	90-94	A/T, Turbo, made in USA	87-9819



CONSTANT VELOCITY JOINTS

MODEL YEARS SPECIFICATION / SIDE C.V. JOINT w/ ABS C.V. JOINT w/o ABS

Chrysler (International Models) (Continued)

Phantom (Cont.)

Inboard	87-89 M/T, Driver	87-9119
	88-90 Turbo, Both Sides	87-9119
	90-94 Driver	87-9068

PT Cruiser

Outboard	00-04	87-9117	87-9116
-----------------	-------------	---------	---------

Shadow

Outboard	87-89	87-9684
	90-94 A/T & M/T, Including Turbo, (Exc. made in USA)	87-9077
	90-94 A/T, Turbo, made in USA	87-9819
Inboard	88-89 M/T, Driver	87-9119
	90-94 Driver	87-9068

Spirit

Outboard	1990	87-9684
	91-94 A/T, (Exc. Turbo), M/T	87-9077
	91-94 A/T, Turbo, (Exc. made in USA)	87-9077
	91-94 A/T, Turbo, made in USA	87-9819
Inboard	1990 M/T, Driver	87-9119
	90-94 Driver	87-9068

Stratus

Outboard	96-98	87-9075	87-9074
	1999	87-9076	87-9074

Volare

Outboard	82-86	87-9683
	87-88	87-9684
Inboard	87-88 M/T, Driver	87-9119

Voyager

Outboard	91-94 A/T	87-9077
Inboard	96-00 A/T, Driver	87-9125

Daihatsu

Charade

Outboard	88-92 1.0L, Housing Marked 75 LAC	87-9825
	89-92 1.3L, Housing Marked 79 LAC	87-9826

Daihatsu (International Models)

G10

Outboard	79-83	87-9693
-----------------	-------------	---------

G11

Outboard	83-90	87-9693
-----------------	-------------	---------

Datsun (See Nissan)

Dodge

400

Outboard	82-83 Citroen	87-9823
	1983 ACI	87-9824
Inboard	1983 w/o Turbo, Citroen, Driver	87-9129
	1983 w/o Turbo, Citroen, Passenger	87-9131



CONSTANT VELOCITY JOINTS

MODEL YEARS SPECIFICATION / SIDE C.V. JOINT w/ ABS C.V. JOINT w/o ABS

Dodge (Continued)

600

Outboard	83-87 Citroen.....	87-9823
	84-88 ACI	87-9824
	86-88 Saginaw, (29 Spline Race)	87-8922
	1988 GKN.....	87-9819
Inboard	83-86 w/o Turbo, Citroen, Driver	87-9129
	83-86 w/o Turbo, Citroen, Passenger	87-9131
	84-86 Turbo, Citroen, Both.....	87-9129
	1988 w/o Turbo, GKN, Driver	87-9940
	1988 w/o Turbo, GKN, Passenger	87-9534
	1988 Turbo, Both	87-9940

Aries

Outboard	81-87 Citroen.....	87-9823
	84-89 ACI	87-9824
	86-89 Saginaw, (29 Spline Race)	87-8922
	88-89 GKN.....	87-9819
Inboard	83-86 Citroen, Driver	87-9129
	83-86 Citroen, Passenger.....	87-9131
	88-89 w/o Turbo, GKN, Driver	87-9940
	88-89 w/o Turbo, GKN, Passenger	87-9534
	88-89 Turbo, GKN, Both	87-9940

Avenger

Outboard	95-99 6 Cyl.	87-9601	87-9090
Inboard	95-99 4 Cyl.		87-9461

Colt

Outboard	79-92 1.5L	87-9591	
	84-87 Turbo	87-9877	
	89-90 1.6L	87-9877	
	93-94 1.8L	87-9598	87-9881
Inboard	84-88 Turbo, Passenger.....	87-9886	
	89-90 1.6L	87-9886	
	89-94 1.5L, Mitsubishi Design	87-9603	
	93-94 1.8L, Mitsubishi Design	87-9408	

Colt Vista FWD

Outboard	84-91	87-9877
	92-94 2.4L, A/T.....	87-9090
Inboard	84-91	87-9886

Colt Vista 4WD

Outboard	85-87 Front	87-9876
	88-91 Front	87-9879

Daytona

Outboard	84-88 ACI	87-9824	
	84-87 Citroen.....	87-9823	
	86-90 Saginaw.....	87-8922	
	87-90 GKN.....	87-9819	
	91-93 Saginaw, (29 Spline Race)	87-8923	87-8922
	91-93 Saginaw, (32 Spline Race)	87-8925	87-9528



CONSTANT VELOCITY JOINTS

MODEL YEARS SPECIFICATION / SIDE C.V. JOINT w/ ABS C.V. JOINT w/o ABS

Dodge (Continued)

Daytona (Cont.)

Inboard	84-86	w/o Turbo, Citroen, Driver	87-9129	
	84-86	w/o Turbo, Citroen, Passenger	87-9131	
	84-86	Turbo, Citroen, Both	87-9129	
	89-90	A/T, GKN, Driver	87-9940	
	88-90	A/T, GKN, Passenger	87-9534	
	89-90	M/T, Both	87-9940	

Dynasty

Outboard	88-90	GKN	87-9953	87-9819
	89-90	Saginaw, (29 Spline Race)	87-8923	87-8922
	91-93	Saginaw, (32 Spline Race)	87-8925	87-9528
Inboard	88-90	GKN, Driver	87-9940	
	88-90	GKN, Passenger	87-9534	

Intrepid

Outboard	93-95		87-9933	87-9820
	96-97		87-8992	87-9820
	98-04		87-8957	87-8956
Inboard	93-04			87-9535

Lancer

Outboard	85-89	ACI		87-9824
	85-87	Citroen		87-9823
	87-89	GKN		87-9819
	86-89	Saginaw		87-8922
Inboard	85-86	w/o Turbo, Citroen, Driver		87-9129
	85-86	w/o Turbo, Citroen, Passenger		87-9131
	85-86	Turbo, Citroen, Both		87-9129
	88-89	w/o Turbo, GKN, Driver		87-9940
	88-89	w/o Turbo, GKN, Passenger		87-9534
	1989	Turbo, GKN, Both		87-9940

Neon

Outboard	95-97		87-9934	87-9821
	98-99		87-9062	87-9821
Inboard	95-99	A/T, Driver		87-9935
	95-99	A/T, Passenger		87-9936
	95-99	M/T		87-9935
	2004	SRT-4, Driver		87-8744

Omni, 024, Charger

Outboard	85-86	Citroen		87-9823
	89-90	ACI		87-9824
Inboard	85-86	w/o Turbo, Citroen, Driver		87-9129
	85-86	w/o Turbo, Citroen, Passenger		87-9131

Shadow

Outboard	87-90	ACI		87-9824
	1987	Citroen		87-9823
	87-90	GKN		87-9819
	87-92	Saginaw, (29 Spline Race)		87-8922
	91-94	Saginaw, (32 Spline Race)	87-8925	87-9528
	93-94	Saginaw, (29 Spline Race)	87-8923	87-8922



CONSTANT VELOCITY JOINTS

MODEL YEARS SPECIFICATION / SIDE C.V. JOINT w/ ABS C.V. JOINT w/o ABS

Dodge (Continued)

Shadow (Cont.)

Inboard	87-90	w/o Turbo, GKN, Driver	87-9940
	88-90	w/o Turbo, GKN, Passenger	87-9534
	89-90	Turbo, GKN, Both	87-9940

Spirit

Outboard	89-90	ACI	87-9824
	89-90	GKN, (32 Spline Race)	87-9819
	89-90	Saginaw, (29 Spline Race)	87-8922
	91-93	GKN, (32 Spline Race)	87-9953 87-9819
	91-94	Saginaw, (32 Spline Race)	87-8925 87-9528
	92-95	GKN, (30 Spline Race)	87-9977 87-9976
Inboard	89-90	GKN, Driver	87-9940
	89-90	GKN, Passenger	87-9534
	91-93	w/o Turbo, GKN, Driver	87-9937
	91-93	w/o Turbo, GKN, Passenger	87-9938
	91-93	Turbo, GKN, Both	87-9937

Stealth

Outboard	91-96	FWD, Housing Marked 104 LAC	87-9403
Inboard	91-96	Driver, Housing Marked TJ 100	87-9673
	91-96	Passenger, Housing Marked TJ 100	87-9674

Stratus Sedan

Outboard	95-97	87-9529	87-9528
	98-99	87-9491	87-9528
	00-05	87-9735	87-9734
Inboard	00-05		87-9125

Stratus Coupe

Inboard	01-05	6 Cyl., Driver	87-9021
----------------	-------------	----------------------	---------

Dodge SUV/Truck/Van

Caravan

Outboard	84-87	Citroen	87-9823
	87-90	GKN	87-9819
	1991	87-9953	87-9819
	92-95	Exc. 2.5L with A/T, 3 Spd.	87-9953 87-9819
	92-95	2.5L, A/T, 3 Spd.	87-9977 87-9976
	96-00	87-9352	87-9819
Inboard	91-95	Driver	87-9937
AWD	91-00	Passenger	87-9727
	96-04	Driver	87-9536
	01-04	Passenger	87-9728
Inboard	84-86	Citroen, Driver	87-9129
FWD	84-86	Citroen, Passenger	87-9131
	87-90	GKN, Driver	87-9940
	87-90	GKN, Passenger	87-9534
	91-95	GKN, Driver	87-9937
	91-95	GKN, Passenger	87-9938
	96-00	Driver	87-9536
	96-00	Passenger	87-9537



CONSTANT VELOCITY JOINTS

MODEL YEARS SPECIFICATION / SIDE C.V. JOINT w/ ABS C.V. JOINT w/o ABS

Dodge SUV/Truck/Van (Continued)

D50, Power Ram 50, Raider (4WD)

Outboard	79-86		87-9301
	87-93	4 Cyl.	87-9316
	89-91	6 Cyl.	87-9316
Inboard	87-93	4 Cyl., Driver	87-9763

Dakota (4WD)

Outboard	87-90		87-9819
	91-96		87-9530
	97-99		87-8815
	00-04		87-9029
Inboard	97-99		87-9462
	2000		87-9028
	01-04		87-9729

Durango (4WD)

Outboard	98-99		87-8815
	00-03		87-9029
Inboard	98-99		87-9462
	2000		87-9028
	01-03		87-9729

Ram 1500 (4WD)

Outboard	02-05		87-6752
Inboard	02-05		87-6753

Dodge (Int'l Models) See Chrysler (Int'l Models)

Eagle

Summit, Summit Wagon FWD

Outboard	89-92	1.5L, Mitsubishi Design	87-9591
	89-90	1.6L	87-9877
	92-96	1.8L	87-9598
	92-96	2.4L	87-9090
Inboard	89-96	1.5L, Mitsubishi Design	87-9603
	89-90	1.6L	87-9886
	93-96	1.8L	87-9408

Summit, Summit Wagon AWD

Outboard	92-94	1.8L, Front	87-9881
	92-96	2.4L, Front	87-9090
Inboard	92-96	2.4L, Front	87-9886

Talon (2WD)

Outboard	90-94	1.8L, NSK Design	87-9881
	90-94	1.8L, NTN Design	87-9882
	90-94	2.0L, Incl. Turbo, NTN Design	87-9884
Inboard	95-98	w/o Turbo	87-9461

Talon (AWD)

Outboard	90-94	2.0L, NTN Design, Front	87-9882
	91-94	2.0L, NSK Design, Front	87-9881
	95-98	2.0L, M/T	87-9083
Inboard	90-94	M/T, Driver, Front	87-8997



CONSTANT VELOCITY JOINTS

MODEL YEARS SPECIFICATION / SIDE C.V. JOINT w/ ABS C.V. JOINT w/o ABS

Eagle (Continued)

Vision

Outboard	93-95	A/T	87-9933	87-9820
	96-97		87-8992	87-9820
Inboard	93-97			87-9535

Ford

Aspire

Outboard	94-97	A/T	87-9608	87-9607
	94-97	M/T	87-8931	
Inboard	94-97	M/T		87-9143

Contour

Outboard	95-00	2.0L	87-9545	87-9544
	95-00	2.5L	87-9548	87-9547
Inboard	95-00	2.0L, M/T, Driver		87-9559
	95-00	2.5L, M/T, Driver		87-9556
	95-00	2.5L, Passenger		87-9555

Escort, EXP

Outboard	5/83-90	w/o Turbo		87-9828
	1984	Turbo		87-9969
	94-00		87-9827	87-9805
Inboard	6/83-90	A/T, Driver		87-9128
	84-90	A/T, Passenger#5		87-9553
	84-90	M/T#5		87-9553
	91-96	1.8L, A/T, Driver		87-9440
	91-96	1.8L, M/T, Driver		87-8985
	91-96	1.9L		87-9440
	97-01	2.0L, A/T		87-9440
	97-01	2.0L, M/T		87-8985

Escort ZX2

Outboard	98-00	A/T	87-9827	87-9805
	98-00	M/T	87-9609	87-9344
Inboard	98-01	A/T		87-9440

Festiva

Inboard	89-93	M/T	87-9097	
----------------	-------------	-----------	---------	--

Five Hundred

Outboard	2005			87-6761
Inboard	2005	AWD, Driver		87-6762
	2005	AWD, Passenger		87-6763
	2005	FWD, with CVT (Select Shift) Trans, Driver		87-6762
	2005	FWD, with 6 Spd. (AISN-F21) A/T, Driver		87-6778
	2005	FWD, Passenger		87-6764

Focus

Outboard	00-03	A/T		87-8940
	00-03	M/T, (MTX75 Trans. Code)		87-9106
	00-03	SOHC, M/T, (IB5 Trans. Code)		87-9105



CONSTANT VELOCITY JOINTS

MODEL YEARS SPECIFICATION / SIDE C.V. JOINT w/ ABS C.V. JOINT w/o ABS

Ford (Continued)

Focus (Cont.)

Inboard	01-03 A/T Driver	87-8989
	01-03 A/T, Passenger	87-8990
	00-03 M/T, (MTX75 Trans. Code), Driver	87-8989
	00-03 M/T, (MTX75 Trans. Code), Passenger	87-8990
	00-03 SOHC, M/T, (IB5 Trans. Code), Driver	87-9737
	00-03 SOHC, M/T, (IB5 Trans. Code), Passenger	87-9738

Probe

Outboard	89-92 2.2L, Turbo	87-9922	87-9867
	89-92 2.2L, w/o Turbo	87-9865	87-9929
	90-92 3.0L	87-9922	87-9867
	93-97 A/T	87-9955	87-9954
	93-97 2.0L, M/T	87-9523	87-9518
	93-97 2.5L, M/T	87-9606	87-9867
Inboard	89-92 2.2L, w/o Turbo, Driver	87-9872	
	89-92 2.2L, w/o Turbo, Passenger	87-9871	
	1993 A/T, Driver	87-9616	
	1993 A/T, Passenger	87-9615	
	94-97 2.0L, A/T, Driver	87-9614	
	94-97 2.5L, A/T, Driver	87-9616	
	94-97 A/T, Passenger	87-9615	

Taurus

Outboard	86-94 2.5L, 3.0L, (30 Spline Race)	87-9829	
	86-94 3.0L, 3.8L, (32 Spline Race)	87-9980	87-9971
	95-04	87-9980	87-9971
Inboard	86-90 2.5L, A/T Driver	87-8991	
	86-01 3.0L, 3.8L, Driver, (32 Spline Tripod)	87-9551	
	86-01 3.0L, 3.8L, Passenger, (32 Spline Tripod)	87-9552	

Taurus SHO

Outboard	89-95 3.0L, (32 Spline Race)	87-9980	87-9971
Inboard	89-95 3.0L, (32 Spline Tripod), Passenger		87-9552

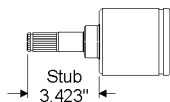
Tempo

Outboard	84-85 Exc. M/T, 5 Spd.	87-9828	
	84-85 M/T, 5 Spd.	87-9969	
	86-11/90	87-9828	
	92-94 2.3L	87-9512	
Inboard	84-91 A/T, Driver	87-9128	
	84-91 A/T, Passenger ^{#5}	87-9553	
	84-91 M/T, (Exc. 84-85 M/T, 5 Spd.) ^{#5}	87-9553	
	92-94 2.3L, M/T, Both, A/T, Passenger	87-9464	
	92-94 2.3L, A/T, Driver	87-9465	

Thunderbird

Outboard	89-92 Rear , 8.8" Ring Gear, w/o S/C	87-8910	
	93-97 Rear , 8 Cyl.	87-8910	
Inboard	89-92 Rear , 8.8" Ring Gear, w/o S/C	87-9084	
	93-97 Rear , 8 Cyl.	87-9084	

#5 Note: 84-90 Ford Escort, EXP, 84-91 Tempo



**Inboard
87-9553**



CONSTANT VELOCITY JOINTS

MODEL YEARS SPECIFICATION / SIDE C.V. JOINT w/ ABS C.V. JOINT w/o ABS

Ford SUV/Truck/Van

Aerostar				
Outboard	90-97			87-9549
Inboard	8/91-97	Cross Groove Design		87-9916
Escape				
Outboard	01-04	Front	87-9740	87-9739
Explorer 4WD				
Outboard	95-01			87-9546
	02-06			87-9716
Inboard	95-01	Driver		87-9561
	95-01	Passenger		87-9560
Explorer Sport 4WD				
Outboard	01-3/4/02			87-9546
	3/4/02-03			87-9716
Inboard	01-03	Front, Driver		87-9561
	01-03	Front, Passenger		87-9560
Explorer Sport-Trac 4WD				
Outboard	01-3/4/02			87-9546
	3/4/02-04			87-9716
Inboard	01-04	Front, Driver		87-9561
	01-04	Front, Passenger		87-9560
Expedition, F150 4WD				
Outboard	97-02			87-9452
	03-05			87-8748
Inboard	97-04	Front		87-9453
F-250 4WD				
Outboard	97-99			87-9452
Inboard	97-99			87-9453
Freestar				
Outboard	04-05			87-6777
Freestyle				
Outboard	2005			87-6761
Inboard	2005	AWD, Driver		87-6762
	2005	AWD, Passenger		87-6763
	2005	FWD, Driver		87-6762
	2005	FWD, Passenger		87-6764
Ranger 4WD				
Outboard	98-99			87-9024
	2000	Pulse Vacuum Hub		87-9024
	2000	w/o Pulse Vacuum Hub		87-9546
	01-02			87-9546
	03-05			87-9716
Ranger (Cont.)				
Inboard	98-05	Driver		87-9561
	98-05	Passenger		87-9560



CONSTANT VELOCITY JOINTS

MODEL YEARS SPECIFICATION / SIDE C.V. JOINT w/ ABS C.V. JOINT w/o ABS

Ford SUV/Truck/Van (Continued)

Windstar

Outboard	95-98	87-9543	87-9971
	99-03	87-9140	87-9971
Inboard	95-03 Driver		87-9551
	95-03 Passenger		87-9552

Ford (International Models)

Courier

Outboard	00-04 1.8L, M/T	87-9146
-----------------	-----------------------------	---------

Fiesta

Outboard	96-01 1.3L & 1.4L, M/T	87-9147
	00-04 1.8L, M/T	87-9146
	01-04 1.6L, M/T	87-9105

Focus

Outboard	00-05	87-8940
-----------------	-------------	---------

Ghia

Outboard	1991	87-9689
	92-96	87-9969

Ikon

Outboard	00-04 1.8L, M/T	87-9146
	01-04 1.6L, M/T	87-9105

Mondeo

Outboard	00-04 2.5L, M/T	87-9145
-----------------	-----------------------------	---------

Taurus

Outboard	88-91	87-9971
-----------------	-------------	---------

Topaz

Outboard	84-85 M/T	87-9688
	86-91	87-9689
	92-94	87-9969

Geo (See Chevrolet)

G.M. (International Models)

Astra

Outboard	01-04 1.6L (F)	87-9152
	01-04 1.7L (G)	87-9150
	01-04 2.0L	87-9151

Cavalier, Cavalier Z24

Outboard	90-93	87-9685
	94-98	87-9069 87-9685
Inboard	91-93 Driver	87-9120
	1994 A/T, Passenger	87-9120

Celebrity

Outboard	82-85 23 Spline Race ^{#3}	87-9686
	82-88 24 Spline Race ^{#3}	87-9687



CONSTANT VELOCITY JOINTS

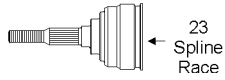
MODEL YEARS SPECIFICATION / SIDE C.V. JOINT w/ ABS C.V. JOINT w/o ABS

G.M. (International Models) (Continued)

Century				
Outboard	83-88			87-9687
	91-93			87-9041
	94-97			87-9042
Inboard	1990	A/T, Passenger		87-9120
	1990	M/T		87-9120
	91-93	A/T, Passenger		87-9120
Century SS				
Outboard	83-88			87-9687
Chevy				
Outboard	96-03			87-9067
Citation				
Outboard	82-85	23 Spline Race ^{#3}		87-9686
	82-88	24 Spline Race ^{#3}		87-9687
Cutlass				
Outboard	1990			87-9685
	91-93			87-9041
	94-97			87-9042
Inboard	1990	A/T, Passenger		87-9120
	1990	M/T		87-9120
Cutlass Eurosport				
Outboard	91-93			87-9041
	94-97			87-9042
Inboard	91-93	A/T, Passenger		87-9120
	91-97	M/T		87-9120
Vectra				
Outboard	01-04	1.6L (F)	87-9152	
	01-04	1.7L (G)	87-9150	
X-11				
Outboard	86-88	Manual		87-9687

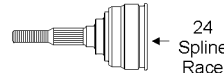
#3 Note: G.M. Celebrity, Citation

87-9686



23 Spline Race

87-9687



24 Spline Race

GMC SUV/Truck/Van

Envoy, Envoy XL (4WD)				
Outboard	98-05			87-8920
Inboard	97-01	Driver		87-9112
	97-01	Passenger		87-9113
	02-04			87-9112
Jimmy, K1500, K2500, K3500 (4WD)				
Outboard	88-91	From 8600 lbs. GVW		87-9918
	88-91	Up to 7200 lbs. GVW		87-9919
	92-94	From 8600 lbs. GVW	87-9407	87-9918
	92-94	Up to 7200 lbs. GVW	87-9566	87-9919
	95-97	From 8600 lbs. GVW		87-9918
	95-00	Up to 7200 lbs. GVW		87-9919
	98-00	From 8600 lbs. GVW		87-8891



CONSTANT VELOCITY JOINTS

MODEL YEARS SPECIFICATION / SIDE C.V. JOINT w/ ABS C.V. JOINT w/o ABS

GMC SUV/Truck/Van (Continued)

Jimmy, K1500, K2500, K3500 (4WD) (Cont.)

Inboard	88-97 From 8600 lbs. GVW	87-9568
	88-97 Up to 7200 lbs. GVW	87-9840

S15, Jimmy, Sonoma, Syclone, Typhoon (4WD)

Outboard	82-96	87-9965
	97-05	87-8920
Inboard	82-96	87-9567
	97-04 Driver	87-9112
	97-04 Passenger	87-9113

Safari (AWD)

Outboard	90-02	87-9919
Inboard	90-96	87-9567

Sierra Pickup (4WD)

Outboard	99-00 1500	87-9919
	99-00 2500 & 3500	87-8891
	01-05 1500, (Exc. Extended Cab)	87-9919
	01-05 1500 Extended Cab, 1500 HD	87-8891
	01-02 2500, 3500	87-8891

Suburban, Yukon XL (4WD)

Outboard	88-91 From 8600 lbs. GVW	87-9918
	88-91 Up to 7200 lbs. GVW	87-9919
	92-94 From 8600 lbs. GVW	87-9407 87-9918
	92-94 Up to 7200 lbs. GVW	87-9566 87-9919
	95-97 From 8600 lbs. GVW	87-9918
	95-05 Up to 7200 lbs. GVW	87-9919
	98-05 From 8600 lbs. GVW	87-8891
Inboard	88-98 From 8600 lbs. GVW	87-9568
	88-97 Up to 7200 lbs. GVW	87-9840

Honda

Accord

Outboard	76-79	87-9845
	80-82 45mm Seal Dia., (To Ch. #DC099354) ^{#2}	87-9843
	82-83 47mm Seal Dia., (From Ch. #DC099355) ^{#2}	87-9842
	84-85 Exc. SEi	87-9842
	84-85 SEi	87-9847
	86-89	87-9801
	90-93	87-9959 87-9848
	94-97 4 Cyl.	87-9478 87-9848
	95-97 6 Cyl.	87-8936 87-9848
	98-02	87-8936 87-9848
	03-04 4 Cyl.	87-6768
Inboard	80-83 3 & 4 dr.	87-9856
	84-85 A/T, (Exc. SEi)	87-9856
	84-85 A/T, SEi	87-9575
	84-85 M/T, (Exc. SEi), Driver	87-9853
	84-85 M/T, (Exc. SEi), Passenger	87-9856
	84-85 M/T, SEi, Driver	87-9851
	84-85 M/T, SEi, Passenger	87-9575
	86-89 A/T	87-9575



CONSTANT VELOCITY JOINTS

MODEL YEARS SPECIFICATION / SIDE C.V. JOINT w/ ABS C.V. JOINT w/o ABS

Honda (Continued)

Accord (Cont.)

Inboard	86-89 M/T, Driver	87-9851
	86-89 M/T, Passenger.....	87-9575
	90-93 A/T	87-9859
	90-93 M/T, Driver	87-9854
	90-93 M/T, Passenger.....	87-9859
	94-00 4 Cyl., A/T.....	87-9859
	94-00 4 Cyl., M/T, Driver.....	87-9854
	94-00 4 Cyl., M/T, Passenger	87-9859
	95-97 6 Cyl., Passenger	87-9854

Civic

Outboard	76-83	87-9845
	84-87 1300 Eng., (1 Rust Stripe) ^{#1}	87-9844
	84-87 1500 Eng., (2 Orange Stripes) ^{#1}	87-9841
	88-91 1500 Carb. Eng., (1 Yellow Stripe) ^{#1}	87-9844
	88-91 1500 FI, (1 Pink or 3 Red Stripes) ^{#1}	87-9803
	92-00	87-9571 87-9850
	01-05 Exc. Si, (USA Built).....	87-9726 87-9725
Inboard	84-87 1.5L, (Exc. AWD Wagon)	87-9856
	88-91 1.5L, FI, (1 Pink or 3 Red Stripes) ^{#1} , Driver.....	87-9855
	88-91 1.5L, FI, (1 Pink or 3 Red Stripes) ^{#1} , Passenger	87-9856
	88-91 AWD Wagon, Driver, Front	87-9854
	90-91 AWD Wagon, Passenger, Front.....	87-9575
	92-98 Driver.....	87-9855
	92-98 Passenger	87-9856
	01-04 M/T, (Exc. Si, Driver).....	87-9743

Civic del Sol

Outboard	93-95 Exc. VTEC, Si, (30 Spline Race)	87-9571 87-9850
	94-95 VTEC, Si, (32 Spline Race).....	87-8813 87-9849
	96-97 VTEC, (30 Spline Race)	87-9571 87-9850
Inboard	93-95 Exc. VTEC, Si, Driver, (30 Spline Tripod).....	87-9855
	93-95 Exc. VTEC, Si, Passenger, (30 Spline Tripod)	87-9856
	94-95 VTEC, Passenger, (32 Spline Tripod)	87-9575

CRX

Outboard	84-87 1.3L	87-9844
	84-87 1.5L, (Exc. HF)	87-9841
	88-91 1.5L, HF.....	87-9844
	88-91 DX & Si.....	87-9803
Inboard	84-87 1.5L, (Exc. HF)	87-9856
	88-91 DX & Si, Driver	87-9855
	88-91 DX & Si, Passenger.....	87-9856



CONSTANT VELOCITY JOINTS

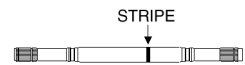
MODEL YEARS SPECIFICATION / SIDE C.V. JOINT w/ ABS C.V. JOINT w/o ABS

Honda (Continued)

Prelude

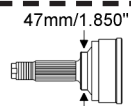
Outboard	79-80	87-9845
	81-82	87-9846
	1983	87-9842
	84-87 DX	87-9842
	85-87 Si & SEi	87-9847
	88-89	87-9849
	90-91	87-9848
	92-96	87-9573 87-9572
	97-00	87-9574 87-8971
Inboard	1983	87-9856
	84-87 DX, A/T	87-9856
	84-87 DX, M/T, Driver	87-9853
	84-87 DX, M/T, Passenger	87-9856
	85-87 Si, A/T	87-9575
	85-87 Si, M/T, Driver	87-9851
	85-87 Si, M/T, Passenger	87-9575
	88-89 Driver	87-9854
	88-89 Passenger	87-9575
	90-91 Driver	87-9854
	90-91 Passenger	87-9859
	92-96 A/T, Driver	87-9859
	92-96 A/T, Passenger	87-9579
	92-96 M/T, Driver	87-9578
	92-96 M/T, Passenger	87-9579
	97-01 SH Series, Driver	87-9578
	97-01 SH Series, Passenger	87-9579

#1 Note: Some Joints can be identified by looking at stripe color on axle bar.

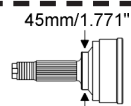


#2 Note: Honda Accord

87-9842



87-9843



Honda SUV/Truck/Van

CR-V (4WD)

Outboard	97-00 Front	87-9574 87-8971
	02-05 Front	87-9744
Inboard	1997 Front	87-9575
	98-01 Driver, Front	87-9575
	98-01 A/T, Passenger, Front	87-9575
	98-01 M/T, Passenger, Front	87-9859

Odyssey

Outboard	95-98	87-9085
Inboard	96-98 Passenger	87-9859
	99-04 Passenger	87-9139

Passport (4WD)

Outboard	94-5/95	87-9582
	98-00	87-9488
	2002	87-8734



CONSTANT VELOCITY JOINTS

MODEL YEARS SPECIFICATION / SIDE C.V. JOINT w/ ABS C.V. JOINT w/o ABS

Honda (International Models)

Accord				
Outboard	81-85			87-9697
Ballade				
Outboard	83-86			87-9696
Civic (CVCC)				
Outboard	80-86			87-9696
Prelude				
Outboard	1983			87-9696
SL, SR, SS, ST, VC, VE & WD				
Outboard	83-86			87-9696

Hummer

H2				
Outboard	03-05			87-8891

Hyundai

Accent				
Outboard	95-99		87-9592	87-9591
Inboard	95-99			87-9603
Elantra				
Outboard	93-95	1.8L, Driver Side		87-9878
	93-95	1.8L, Passenger Side	87-9118	87-9876
	96-00		87-9596	87-9878
	01-05	A/T	87-8742	87-9878
	01-05	M/T	87-8743	87-9876
Inboard	01-05	A/T		87-8735
Excel				
Outboard	86-94			87-9591
Inboard	86-94			87-9603
Scoupe				
Outboard	91-92			87-9591
	93-95			87-9878
Inboard	91-92			87-9603
Sonata				
Outboard	88-91	2.0L, 2.4L, Driver		87-9878
	88-91	2.0L, 2.4L, Passenger		87-9876
	89-91	3.0L		87-9879
	92-96	2.0L, Driver	87-9594	87-9878
	92-96	2.0L, Passenger	87-9055	87-9876
	92-94	3.0L	87-8977	87-9879
	97-98	2.0L, A/T	87-9594	87-9878
	97-98	2.0L, M/T, Driver	87-9594	87-9878
	97-98	2.0L, M/T, Passenger	87-9055	87-9876
	99-01	2.5L, A/T	87-8717	87-8716
	02-04	2.4L	87-8728	87-8724
Inboard	89-94	3.0L, Driver		87-9673
	89-94	3.0L, Passenger		87-9604
	02-05	2.7L, Driver		87-9746



CONSTANT VELOCITY JOINTS

MODEL YEARS SPECIFICATION / SIDE C.V. JOINT w/ ABS C.V. JOINT w/o ABS

Hyundai (Continued)

Tiburon

Outboard	97-98	1.8L	87-8745	87-9876
	97-00	2.0L	87-9596	87-9878
	03-04	2.7L, M/T	87-8726	87-8722

Hyundai SUV/Truck/Van

Santa Fe

Outboard	01-04	2.4L, 2WD	87-8750	87-8724
	01-04	2.7L, 2WD	87-8727	87-8722
	01-04	2.7L, 4WD	87-8727	87-8722
Inboard	01-04	2.7L, 4WD, Driver		87-8720

Hyundai (International Models)

Atos

Outboard	00-04	M/T	87-6779	
----------	-------	-----	---------	--

Infiniti

G20

Outboard	91-96		87-9334	
Inboard	91-94	w/o Locking Differential, Passenger		87-9341
	1/93-96	Locking Differential, Driver		87-9632
	1/93-94	A/T, Locking Differential, Passenger		87-9631
	1/93-94	M/T, Locking Differential, Passenger		87-9633

I30

Outboard	96-99		87-9630	
Inboard	96-99	Touring Suspension, Driver		87-9998
	96-99	Touring Suspension, M/T, Passenger		87-9135
	96-99	w/o Touring Suspension, M/T, Driver		87-9134
	96-99	w/o Touring Suspension, Passenger		87-9634

I35

Outboard	02-04		87-9720	
----------	-------	--	---------	--

J30

Inboard	93-1/94	Rear		87-9096
	95-97	Rear		87-9136

Infiniti SUV/Truck/Van

QX4 (4WD)

Outboard	97-01		87-9628	
	02-03		87-9721	
Inboard	97-03			87-9136

Isuzu

I-Mark

Outboard	85-86	A/T		87-9834
	1985	M/T		87-9834
	86-89	M/T, w/o Turbo, Driver		87-9834
	86-89	M/T, w/o Turbo, Passenger		87-9835
	87-89	A/T, w/o Turbo, Driver		87-9834
	87-89	A/T, w/o Turbo, Passenger		87-9835



CONSTANT VELOCITY JOINTS

MODEL YEARS SPECIFICATION / SIDE C.V. JOINT w/ ABS C.V. JOINT w/o ABS

Isuzu (Continued)

I-Mark (Cont.)

Inboard	1985		87-9677
	1986	A/T	87-9677
	1986	M/T, Driver	87-9677
	1986	M/T, Passenger	87-9676
	87-89	w/o Turbo, Driver	87-9677
	87-89	w/o Turbo, Passenger	87-9676

Impulse (2WD)

Outboard	90-92	M/T	87-9581
-----------------	-------------	-----------	---------

Stylus

Outboard	91-93	DOHC	87-9581
	91-93	SOHC, Driver	87-9682
	91-93	SOHC, Passenger	87-9681
Inboard	91-93	SOHC, Driver	87-9677
	91-93	SOHC, Passenger	87-9676

Isuzu SUV/Truck/Van

Amigo (4WD)

Outboard	89-2/93		87-9582
	98-00		87-9488
Inboard	89-2/93	Driver	87-9442

Axiom (4WD)

Outboard	02-04		87-8734
-----------------	-------------	--	---------

Oasis

Outboard	96-98		87-9085
Inboard	96-98	Passenger	87-9859

Pickup, Hombre (4WD)

Outboard	81-87		87-9862
	88-95		87-9582
	98-00		87-8920
Inboard	88-2/93	Driver	87-9442

Rodeo, Rodeo Sport (4WD)

Outboard	91-5/95		87-9582
	98-01		87-9488
	02-04		87-8734
Inboard	91-10/92	Driver	87-9442

Trooper (4WD)

Outboard	84-87		87-9862
	88-12/97	Japan Produced	87-9582
	12/97-02		87-8881
Inboard	88-91	Driver, (Exc. Taiwan Built)	87-9442
	11/94-95	Passenger	87-9095
	96-11/97		87-9095



CONSTANT VELOCITY JOINTS

MODEL YEARS SPECIFICATION / SIDE C.V. JOINT w/ ABS C.V. JOINT w/o ABS

Jeep SUV/Truck/Van

Cherokee, Comanche, Grand Cherokee, Grand Wagoneer, Wagoneer (4WD)

Outboard	84-85	87-9324	
	86-87	87-9533	
	88-92	87-9533	
	93-98	87-9324	
	99-01	87-9102	

Liberty

Outboard	02-05	87-9161	
Inboard	02-053.7L, Driver	87-9162	
	02-053.7L, Passenger	87-9715	

Kia

Optima

Outboard	02-052.4L	87-8728	87-8724
	20042.7L	87-8717	87-8716

Rio

Outboard	01-04	87-9781	87-9779
Inboard	02-05M/T		87-9782

Sephia

Outboard	19951.6L, SOHC		87-9586
	95-971.8L	87-9584	87-9583
	98-99		87-8978
Inboard	98-011.8L, Passenger		87-9133

Spectra

Outboard	02-04	87-9751	87-9750
----------	-------------	---------	---------

Kia SUV/Truck/Van

Sedona

Outboard	02-05	87-9756	87-9755
Inboard	02-053.5L, Driver		87-9783
	02-053.5L, Passenger		87-9754

Sportage (4WD)

Outboard	00-0124 Spline Race (NSK)		87-9585
----------	---------------------------------------	--	---------

Lexus

ES250

Outboard	90-91		87-9645
Inboard	90-91		87-9522

ES300

Outboard	92-96GKN Design	87-9949	
	92-93Toyota Design	87-9649	
	97-01	87-9651	87-9650
	02-03	87-8741	
Inboard	92-93Toyota Design, (27 Splines on Race)		87-9522
	97-01Driver		87-9349



CONSTANT VELOCITY JOINTS

MODEL YEARS SPECIFICATION / SIDE C.V. JOINT w/ ABS C.V. JOINT w/o ABS

Lexus SUV/Truck/Van

LX470 (4WD)				
Outboard	98-05			87-8892
Inboard	98-05			87-9799
RX300 (2WD)				
Outboard	99-01		87-9649	
	02-03		87-8749	
RX300 (4WD)				
Inboard	99-03	Front, Passenger		87-9159
RX330 (2WD)				
Outboard	04-05		87-9798	

Lincoln

Continental				
Outboard	88-94		87-9980	
Inboard	88-94	Driver, (32 Spline Tripod)		87-9551
	88-94	Passenger, (32 Spline Tripod)		87-9552
Mark Series				
Outboard	93-98	Rear, (Exc. LSC Series)		87-8910

Lincoln SUV/Truck/Van

Navigator (4WD)				
Outboard	98-00		87-9452	
	03-05		87-8748	
Inboard	98-04	Front		87-9453

Mazda

323 (2WD)				
Outboard	86-89	w/o Turbo	87-9863	
	88-89	Turbo	87-9928	
	90-94		87-9866	
626, MX-6				
Outboard	83-87		87-9864	
	88-92	Turbo	87-9922	87-9867
	88-92	w/o Turbo	87-9865	87-9929
	93-02	2.0L, A/T	87-9955	87-9954
	93-00	2.0L, M/T	87-9523	87-9518
	93-02	2.5L, A/T	87-9955	87-9954
	93-00	2.5L, M/T	87-9606	87-9867
Inboard	83-87	Driver		87-9872
	83-87	Passenger		87-9871
	88-92	w/o Turbo, Driver		87-9872
	88-92	w/o Turbo, Passenger		87-9871
	1993	A/T, Driver		87-9616
	1993	A/T, Passenger		87-9615
	94-00	2.0L, A/T, Driver		87-9614
	94-00	2.5L, A/T, Driver		87-9616
	94-00	A/T, Passenger		87-9615



CONSTANT VELOCITY JOINTS

MODEL YEARS SPECIFICATION / SIDE C.V. JOINT w/ ABS C.V. JOINT w/o ABS

Mazda (Continued)

GLC

Outboard 81-85 87-9863

Mazda3

Inboard 04-05 2.0L, A/T, Left Side 87-6781
 04-05 2.3L, M/T, Left Side 87-6782

Mazda6

Inboard 03-05 3.0L, M/T, Left Side 87-6780

Miata MX-5

Outboard 1990 Rear 87-9866
 91-93 Rear 87-9414 87-9866
 94-97 Rear 87-9344

Millenia

Outboard 95-99 2.3L, (Exc. Supercharged) 87-9611 87-9610
 95-96 2.5L, 87-9064
 Inboard 95-02 2.3L, Driver 87-9421

MX-3

Outboard 92-93 1.6L 87-9866
 92-95 1.8L 87-9605 87-9930
 94-95 1.6L 87-9609 87-9344
 Inboard 92-95 1.8L, A/T, Passenger 87-9619
 92-95 1.8L, M/T, Passenger 87-9619

Protegé

Outboard 90-94 DOHC, (30 Spline Race) 87-9930
 90-94 SOHC, (23 Spline Race) 87-9583
 95-98 Exc. 1995 1.8L, M/T 87-9609 87-9344
 1995 1.8L M/T, (30 Spline Race) 87-9605 87-9930
 99-01 1.8L 87-9758 87-9757
 02-03 2.0L, A/T 87-9758 87-9757
 Inboard 90-94 DOHC, A/T, Passenger 87-9988
 90-94 DOHC, M/T, Passenger 87-9988
 1995 1.8L, M/T, Passenger 87-9619

Mazda SUV/Truck/Van

B2500, B2600, B3000, B4000 (4WD)

Outboard 87-93 87-9870
 98-00 87-9024
 Inboard 87-93 Passenger 87-8987
 98-04 Driver 87-9561
 98-04 Passenger 87-9560

MPV (AWD)

Outboard 89-98 87-9612
 Inboard 89-95 Front, Driver 87-9423

MPV (FWD)

Inboard 02-03 Driver 87-9760

Tribute

Outboard 01-04 Front 87-9740 87-9739



CONSTANT VELOCITY JOINTS

MODEL YEARS SPECIFICATION / SIDE C.V. JOINT w/ ABS C.V. JOINT w/o ABS

Mazda (International Models)

323

Outboard 91-93 1.3L 87-9306

Capella

Outboard 82-87 87-9303

Mercury

Capri

Outboard 91-94 Turbo 87-9928

91-94 w/o Turbo 87-9863

Cougar (FWD)

Outboard 99-00 2.0L 87-9545 87-9544

99-00 2.5L 87-9548 87-9547

Inboard 99-01 2.0L, M/T, Driver 87-9559

99-01 2.5L, M/T, Driver 87-9556

99-01 2.5L, Passenger 87-9555

Cougar (RWD)

Outboard 89-92 *Rear*, 8.8" Ring Gear, w/o S/C 87-8910

93-97 *Rear*, 8 Cyl. 87-8910

Inboard 89-92 *Rear*, 8.8" Ring Gear, w/o S/C 87-9084

93-97 *Rear*, 8 Cyl. 87-9084

Lynx, LN7

Outboard 5/83-87 w/o Turbo 87-9828

1984 Turbo 87-9969

Inboard 84-87 A/T, Driver 87-9128

84-87 A/T, Passenger^{#5} 87-9553

84-87 M/T^{#5} 87-9553

Montego

Outboard 2005 87-6761

Inboard 2005 AWD, Driver 87-6762

2005 AWD, Passenger 87-6763

2005 FWD, with CVT (Select Shift) Trans, Driver 87-6762

2005 FWD, with 6 Spd. (AISN-F21) A/T, Driver 87-6778

2005 FWD, Passenger 87-6764

Mystique

Outboard 95-00 2.0L 87-9545 87-9544

95-00 2.5L 87-9548 87-9547

Inboard 95-00 2.0L, M/T, Driver 87-9559

95-00 2.5L, M/T, Driver 87-9556

95-00 2.5L, Passenger 87-9555

Sable

Outboard 86-94 3.0L, (30 Spline Race) 87-9829

86-01 3.0L, 3.8L, (32 Spline Race) 87-9980 87-9971

Inboard 86-01 3.0L, 3.8L, Driver, (32 Spline Tripod) 87-9551

86-01 3.0L, 3.8L, Passenger, (32 Spline Tripod) 87-9552



CONSTANT VELOCITY JOINTS

MODEL YEARS SPECIFICATION / SIDE C.V. JOINT w/ ABS C.V. JOINT w/o ABS

Mercury (Continued)

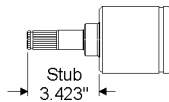
Topaz

Outboard	84-11/90 ...Exc. 84-85, M/T, 5 Spd.	87-9828
	84-85 M/T, 5 Spd.	87-9969
	92-94 2.3L	87-9512
Inboard	84-91 A/T, Driver.....	87-9128
	84-91 A/T, Passenger ^{#5}	87-9553
	84-91 M/T, (Exc. 84-85, 5 Spd.) ^{#5}	87-9553
	92-94 2.3L, A/T, Driver.....	87-9465
	92-94 2.3L, M/T, Both, A/T, Passenger.....	87-9464

Tracer

Outboard	87-89	87-9863
	91-93	87-9805
	94-99	87-9805
	87-9827	
Inboard	91-96 1.8L, A/T, Driver.....	87-9440
	91-96 1.8L, M/T, Driver	87-8985
	91-96 1.9L	87-9440
	97-99 2.0L, A/T.....	87-9440
	97-99 2.0L, M/T	87-8985

#5 Note: 84-87 Mercury Lynx, LN7 & 84-91 Topaz



**Inboard
87-9553**

Mercury SUV/Truck/Van

Mountaineer (4WD)

Outboard	97-01	87-9546
	02-06	87-9716
Inboard	97-01 Driver.....	87-9561
	97-01 Passenger	87-9560

Villager

Outboard	93-00	87-9625
		87-9624

Mitsubishi

3000GT (2WD)

Outboard	91-96Housing Marked 104 LAC	87-9403
	97-98 DOHC, Housing Marked 104 LAC.....	87-9403
Inboard	91-98 Driver, Housing Marked TJ 100	87-9673
	91-98 Passenger, Housing Marked TJ 100.....	87-9674

3000GT (AWD)

Inboard	91-98 Front, Driver, Housing Marked TJ 100.....	87-9673
	91-98 Front, Passenger, Housing Marked TJ 100	87-9674

Cordia, Tredia

Outboard	1983	87-9591
	84-88 Turbo, Driver	87-9877
	84-88 Turbo, Passenger.....	87-9876
	84-88 w/o Turbo	87-9877
Inboard	84-88 Turbo, Driver	87-9886
	84-88 w/o Turbo	87-9886



CONSTANT VELOCITY JOINTS

MODEL YEARS SPECIFICATION / SIDE C.V. JOINT w/ ABS C.V. JOINT w/o ABS

Mitsubishi (Continued)

Diamante

Outboard	1992Housing Marked 104 LAC	87-9403
	93-95Wagon, Housing Marked 104 LAC	87-9403
	97-98Housing Marked 104 LAC	87-8979 87-9403
Inboard	92-98Driver	87-9673
	1992Passenger	87-9604
	93-96Passenger	87-9674
	99-03Passenger	87-8719

Eclipse (2WD)

Outboard	90-941.8L, NSK Design	87-9881
	90-941.8L, NTN Design	87-9882
	90-942.0L, Incl. Turbo, NTN Design	87-9884
	96-992.4L, w/o Turbo	87-9601 87-9090
Inboard	95-992.0L, w/o Turbo	87-9461
	00-023.0L, Driver	87-9021

Eclipse (AWD)

Outboard	90-942.0L, NSK Design, Front	87-9881
	90-942.0L, NTN Design, Front	87-9882
	95-982.0L, M/T, Front	87-9083 87-9882
Inboard	90-94M/T, Driver, Front	87-8997

Galant (2WD)

Outboard	1985		87-9878
	86-87Driver	87-9878
	86-87Passenger	87-9876
	89-93DOHC, NTN Design	87-9884
	89-93SOHC, NSK Design	87-9881
	94-982.4L, 2.5L, SOHC	87-9601 87-9090
Inboard	99-033.0L, Driver	87-9021

Galant (AWD)

Outboard	90-92Front	87-9882
Inboard	90-92Front, Driver	87-8997

Galant Sigma

Outboard	89-90Housing Marked 104 LAC	87-9880
Inboard	88-90Driver, Housing Marked 100 AC	87-9673

Lancer

Outboard	02-03Exc. Evolution	87-8730 87-9761
Inboard	20022.0L, (Exc. Evolution)	87-9098

Mirage

Outboard	85-89Turbo	87-9877
	89-921.5L, Mitsubishi Design	87-9591
	91-921.6L	87-9877
	93-961.8L	87-9598 87-9881
Inboard	85-921.6L	87-9886
	89-961.5L, Mitsubishi Design	87-9603
	93-961.8L	87-9408
	97-021.8L	87-9098



CONSTANT VELOCITY JOINTS

MODEL YEARS SPECIFICATION / SIDE C.V. JOINT w/ ABS C.V. JOINT w/o ABS

Mitsubishi (Continued)

Precis

Outboard	87-94	87-9591
Inboard	87-94	87-9603

Mitsubishi SUV/Truck/Van

Expo

Outboard	92-96 1.8L	87-9881
	92-96 2.4L	87-9090

Expo LRV

Outboard	92-96 1.8L	87-9881
	92-96 2.4L	87-9090

Montero (4WD)

Outboard	83-86	87-9301
	87-96	87-9316
	01-04 Front	87-9785
Inboard	87-89 4 Cyl., Driver	87-9763
	92-95 6 Cyl., A/T, Driver	87-9763
	97-98 6 Cyl., Passenger	87-9770
	02-05 6 Cyl., Driver	87-9764

Montero Sport (4WD)

Outboard	97-04	87-9316
Inboard	97-04 6 Cyl., Driver	87-9764
	97-04 6 Cyl., Passenger	87-9786

Mighty Max/Pickup (4WD)

Outboard	83-86	87-9301
	87-95	87-9316
Inboard	87-89 4 Cyl., Driver	87-9763

Mitsubishi (International Models)

Pajero (4WD)

Outboard	83-86 Front	87-9301
	87-96 Front	87-9316

Nissan/Datsun

200SX

Outboard	95-98 1.6L 87-9621 87-9943
	1998 2.0L 87-8866 87-8995
Inboard	95-98 1.6L	87-9892

240SX

Inboard	89-98 Rear	87-9136
---------	-------	------------	-------	---------

300ZX

Inboard	90-95 Rear	87-9096
---------	-------	------------	-------	---------

Altima

Outboard	93-01 26 Splines on Race 87-9623 87-9622
	93-99 27 Splines on Race 87-9315 87-9313
	02-05 2.5L 87-9719	



CONSTANT VELOCITY JOINTS

MODEL YEARS SPECIFICATION / SIDE C.V. JOINT w/ ABS C.V. JOINT w/o ABS

Nissan/Datsun (Continued)

Altama (Cont.)

Inboard	93-94	A/T, Driver, LSD, (27 Splines on Race)	87-9998
	93-97	A/T, Driver, w/o LSD, (26 Splines on Race)	87-9319
	93-97	A/T, Passenger, (27 Splines on Race)	87-9637
	98-99	A/T, Driver, (26 Splines on Race)	87-9319
	98-99	A/T, Passenger, (27 Splines on Race)	87-9637
	93-94	M/T, Driver, LSD, (26 Splines on Race)	87-9328
	93-94	M/T, Passenger, LSD, (26 Splines on Race)	87-9330
	93-97	M/T, Driver, W/O LSD, (27 Splines on Race)	87-9995
	98-99	M/T, Driver, (27 Splines on Race)	87-9995
	98-99	M/T, Passenger, (26 Splines on Race)	87-9330
	02-05	A/T, 2.5L, Passenger	87-9157
	02-06	M/T, 2.5L, Passenger	87-9765
	02-06	M/T, 3.5L, Passenger	87-9766

F10, 310

Outboard	76-83		87-9931
-----------------	-------	--	---------

Maxima

Outboard	85-94	SOHC	87-9626	87-9326
	92-94	DOHC	87-9994	87-9524
	95-99		87-9630	87-9629
	02-04		87-9720	

Inboard	85-88	Driver		87-9995
	89-94	SOHC, Passenger		87-8850
	92-94	DOHC, LSD, Driver		87-9998
	92-94	DOHC, A/T, Passenger		87-9637
	92-94	DOHC, M/T, Passenger		87-9104
	95-99	LSD, Driver		87-9998
	95-99	Exc. M/T with LSD, Passenger		87-9634
	95-99	M/T, LSD, Passenger		87-9135
	95-99	M/T, w/o LSD, Driver		87-9134
	2000	M/T, Driver		87-9134
	2001	M/T, Exc. 20th Anniversary, Driver		87-9134
	2001	M/T, 20th Anniversary, Passenger		87-9135

NX1600

Outboard	91-93		87-9621	87-9943
Inboard	91-93	1.6L, A/T, 4 Spd.		87-9892
	91-93	1.6L, M/T		87-9892

NX2000

Outboard	91-93		87-9889	87-9888
Inboard	91-93	Driver		87-9632
	91-93	A/T, Passenger		87-9631
	91-93	M/T, Passenger		87-9633

Pulsar

Outboard	83-86	DOJ (Cage & Ball), I.B. Joint		87-9931
	83-84	Tripod I.B. Joint		87-9804
	87-90	SOHC		87-9891
Inboard	87-90	SOHC		87-8933
	91-92	1.6L, A/T, 3 Spd.		87-8933



CONSTANT VELOCITY JOINTS

MODEL YEARS SPECIFICATION / SIDE C.V. JOINT w/ ABS C.V. JOINT w/o ABS

Nissan/Datsun (Continued)

Sentra (2WD)

Outboard	82-86	Gas		87-9804
	87-90	Coupe		87-9891
	87-90	Exc. Coupe		87-9802
	91-99	1.6L	87-9621	87-9943
	91-94	2.0L	87-9889	87-9888
	10/97-99	2.0L	87-8866	87-8995
	02-06	2.5L, A/T	87-8725	87-9769
Inboard	87-90	Coupe		87-8933
	91-94	1.6L, A/T, 3 Spd.		87-8933
	91-94	1.6L, A/T, 4 Spd.		87-9892
	91-94	1.6L, M/T		87-9892
	91-94	2.0L, A/T, Driver		87-9632
	91-94	2.0L, A/T, Passenger		87-9631
	91-94	2.0L, M/T, Driver		87-9632
	91-94	2.0L, M/T, Passenger		87-9633
	95-99	1.6L		87-9892

Stanza (2WD)

Outboard	87-89	Sedan		87-9326
	90-92		87-8964	87-9326
Inboard	87-88	Sedan, Driver		87-9995

Stanza (AWD)

Outboard	86-89	Wagon, Front		87-9326
-----------------	-------------	--------------------	--	---------

Nissan/Datsun SUV/Truck/Van

Pathfinder (4WD)

Outboard	87-89	4 Cyl.		87-9627
	90-01	6 Cyl.		87-9628
Inboard	90-95	6 Cyl.		87-9096
	96-04			87-9136

Pickup, Frontier (4WD)

Outboard	86-94	4 Cyl.		87-9627
	94-01	4 Cyl.		87-9628
	99-01	6 Cyl.		87-9628
	02-04	6 Cyl.		87-9721
Inboard	90-94	6 Cyl.		87-9096
	98-04			87-9136

Quest

Outboard	93-00		87-9625	87-9624
-----------------	-------------	--	---------	---------

XTerra (4WD)

Outboard	00-01			87-9628
	02-04			87-9721
Inboard	00-04			87-9136

Nissan (International Models)

Lucino HF

Outboard	96-98		87-9066	87-9043
-----------------	-------------	--	---------	---------

Platina

Outboard	2002		87-9127	87-9126
-----------------	------------	--	---------	---------



CONSTANT VELOCITY JOINTS

MODEL YEARS SPECIFICATION / SIDE C.V. JOINT w/ ABS C.V. JOINT w/o ABS

Nissan (International Models) (Continued)

Sentra HF

Outboard 96-98 87-9066 87-9043

Sentra HS

Inboard 01-02 A/T, Passenger 87-9124

Tsubame

Outboard 93-00 87-9690

Inboard 93-97 A/T 87-9123

93-97 M/T 87-9121

Tsuru

Outboard 84-87 87-9691

88-92 87-9569

92-00 87-9690

Inboard 84-85 M/T 87-9114

86-87 87-9044

92-00 M/T 87-9121

92-00 A/T, Driver 87-9123

Oldsmobile

88, Delta, Royale

Outboard 86-91 87-9964

92-99 w/o S/C, (32 Spline Race) 87-9838

Inboard 86-94 Driver 87-9109

86-94 Passenger 87-9108

96-97 3.8L, 2.84 (F17) Gear Ratio, Driver 87-9109

96-99 3.8L, 2.84 (F17), 2.86 (FQ3) Gear Ratio, Passenger 87-9108

98, Regency

Outboard 85-86 87-9964

87-90 87-9964

92-98 3.8L, w/o S/C, (32 Spline Race) 87-9838

Inboard 85-91 Driver 87-9109

85-91 Passenger 87-9108

92-94 w/o Supercharger, Driver 87-9109

92-94 w/o Supercharger, Passenger 87-9108

95-97 2.84 (F17) Gear Ratio, w/o Supercharger, Driver 87-9109

95-97 2.84 (F17) Gear Ratio, w/o Supercharger, Passenger 87-9108

Achieva

Outboard 92-96 29 Spline Race 87-9317

1997 32 Spline Race 87-8945

Inboard 94-95 A/T, 4 Spd., Driver 87-9109

94-95 A/T, 4 Spd., Passenger 87-9108

96-98 A/T, Driver 87-9109

96-98 A/T, Passenger 87-9108

Alero

Outboard 99-04 87-8947

Inboard 99-04 A/T, 4 Spd., (Trans. Code 4T40-E) 87-8963

Aurora

Inboard 95-96 87-9138



CONSTANT VELOCITY JOINTS

MODEL YEARS SPECIFICATION / SIDE C.V. JOINT w/ ABS C.V. JOINT w/o ABS

Oldsmobile (Continued)

Calais

Outboard	85-9029 Spline Race, (Exc. 1989 w/Aluminum Wheels)	87-9832
	85-9132 Spline Race	87-9011
	1989w/Aluminum Wheels, (32 Spline Race)	87-9011
	199129 Spline Race	87-9317 87-9832
Inboard	85-91A/T, 3 Spd., Driver	87-9110
	85-91M/T, (Tripod Design)	87-9108

Ciera

Outboard	82-93LD Brakes ^{#4} , (29 Spline Race)	87-9832
	83-93HD Brakes ^{#4} , (32 Spline Race)	87-9964
	87-89LD Brakes ^{#4} , (32 Spline Race)	87-9011
	89-93HD Brakes ^{#4} , (29 Spline Race)	87-9972
	94-9632 Spline Race	87-9838
Inboard	84-93A/T, 3 Spd., Driver	87-9110
	84-96A/T, 4 Spd., Driver	87-9109
	84-96A/T, 4 Spd., Passenger	87-9108

Cutlass

Outboard	97-99	87-8947
Inboard	97-99	87-8963

Cutlass Supreme

Outboard	88-97Exc. A/T, 3 Spd.	87-9323 87-9837
	92-94A/T, 3 Spd.	87-9318 87-9973
Inboard	88-90A/T, Driver	87-9109
	88-90A/T, Passenger	87-9108
	88-90M/T, Passenger	87-9108
	91-973.1L, 3.4L, A/T, 4 Spd.	87-9109

Firenza

Outboard	82-8429 Spline Race	87-9832
	85-88A/T	87-9832
	85-86M/T, (29 Spline Race)	87-9832
	85-87M/T, (32 Spline Race)	87-9011
Inboard	84-88A/T, 3 Spd., Driver	87-9110
	85-886 Cyl, M/T, 5 Spd., (Tripod Design)	87-9108

Intrigue

Outboard	98-993.8L, A/T, 4 Spd. (T65-E, Enhanced Electronic)	87-9838
	00-023.5L, 3.05 (F83) Gear Ratio	87-9838
Inboard	87-99Passenger	87-9108
	00-023.5L, 3.29 (FR9) Gear Ratio, Driver	87-9722
	00-023.5L, 3.29 (FR9) Gear Ratio, Passenger	87-9723

LSS

Outboard	96-993.8L, 2.84 (F17), 2.86 (FQ3) Gear Ratio, (32 Spline Race)	87-9838
Inboard	19973.8L, Supercharged, Passenger	87-9724

Omega

Outboard	80-8429 Spline Race	87-9832
Inboard	83-84A/T, 3 Spd., Driver	87-9110
	84-86M/T	87-9108



CONSTANT VELOCITY JOINTS

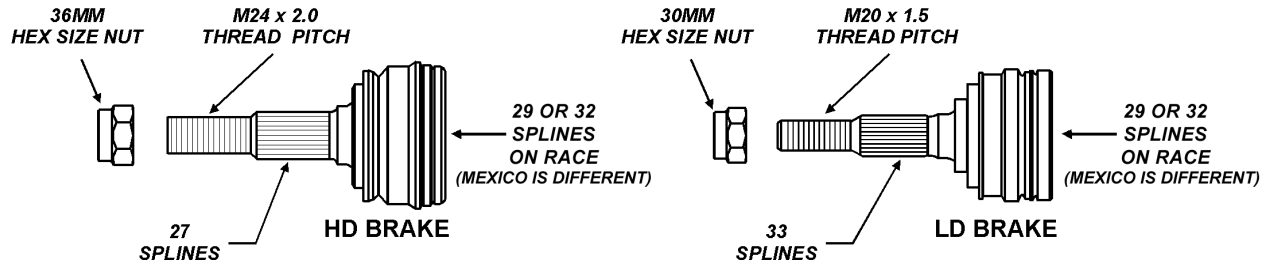
MODEL YEARS SPECIFICATION / SIDE C.V. JOINT w/ ABS C.V. JOINT w/o ABS

Oldsmobile (Continued)

Toronado

Outboard	67-78	87-9153
	86-88 27 Spline Stub	87-9964
	89-91	87-8988
	1992	87-9838

#4 Note: To determine the type of brakes on 1982-1993 Oldsmobile Ciera, examine the spindle threads on the outer C.V. Joint.



Oldsmobile SUV/Truck/Van

Bravada (4WD)

Outboard	91-96	87-9965
	97-04	87-8920
Inboard	91-96	87-9567
	97-01 Driver	87-9112
	97-01 Passenger	87-9113
	02-04	87-9112

Silhouette

Outboard	90-91	87-9964
	92-04	87-9838

Silhouette (Cont.)

Inboard	90-91 Passenger	87-9108
	92-95 A/T, 3 Spd., Passenger	87-9108
	92-95 A/T, 4 Spd., Driver	87-9109
	92-95 A/T, 4 Spd., Passenger	87-9108

Oldsmobile (Int'l Models) See G.M. (Int'l Models)

Opel (International Models)

Ascona

Outboard	8/81-10/88 1.6 i (55-60 kW), M/T, From Ch. #C-000001 To Ch. #J-999999	87-9839
	9/81-10/88 1.3 N, S (44-55 kW), M/T, From Ch. #C-000001 To Ch. #J-999999	87-9839

Corsa

Outboard	9/87-3/93 .. 1.5 Turbo Diesel, (49 kW), M/T	87-9839
	9/87-3/93 .. 1.6 GSi, (72-74 kW)	87-9839

Kadett

Outboard	81-7/84 1.0, 1.2 (29-37-40-45 kW), From Ch. #C000091 To Ch. #D-999999	87-9839
	81-7/84 1.3 & 1.6 (55 kW), From Ch. #C000091 To Ch. #D-999999	87-9839
	9/84-91 1.2, 1.3, 1.4 (40-45-54-56 kW) From Ch. #F-000001	87-9839
	9/84-91 1.6 (55 kW) From Ch. #F-000001	87-9839



CONSTANT VELOCITY JOINTS

MODEL YEARS SPECIFICATION / SIDE C.V. JOINT w/ ABS C.V. JOINT w/o ABS

Plymouth

Acclaim

Outboard	89-90	ACI		87-9824
	89-90	GKN, (32 Spline Race)		87-9819
	89-90	Saginaw, (29 Spline Race)		87-8922
	91-93	GKN, (32 Spline Race)	87-9953	87-9819
	91-94	Saginaw, (32 Spline Race)	87-8925	87-9528
92-95	GKN, (30 Spline Race)	87-9977	87-9976	
Inboard	89-90	GKN, Driver		87-9940
	89-90	GKN, Passenger		87-9534
	91-93	GKN, Driver		87-9937
	91-93	GKN, Passenger		87-9938
	1991	GKN, Turbo		87-9937

Breeze

Outboard	96-97		87-9529	87-9528
	98-99		87-9491	87-9528
Inboard	2000			87-9125

Colt, Champ (2WD)

Outboard	79-92	1.5L, w/o Turbo		87-9591
	84-88	Turbo		87-9877
	89-90	1.6L		87-9877
	93-94	1.8L	87-9598	87-9881
Inboard	84-88	Turbo, Passenger		87-9886
	89-90	1.6L		87-9886
	89-94	1.5L, Mitsubishi Design		87-9603
	93-94	1.8L, Mitsubishi Design		87-9408

Colt (4WD)

Outboard	92-93	Front		87-9881
-----------------	-------	-------	--	---------

Colt Vista (2WD)

Outboard	84-91			87-9877
	92-94	2.4L, A/T		87-9090
Inboard	84-94			87-9886

Colt Vista (4WD)

Outboard	85-87	Front		87-9876
	88-91	Front		87-9879
	92-93	Front		87-9881

Horizon, Duster, TC3, Turismo

Outboard	85-86	Citroen		87-9823
	89-90	ACI		87-9824
Inboard	85-86	w/o Turbo, Citroen, Driver		87-9129
	85-86	w/o Turbo, Citroen, Passenger		87-9131
	85-86	Turbo, Citroen, Both		87-9129

Laser (2WD)

Outboard	90-94	1.8L, NTN Design		87-9882
	90-94	1.8L, NSK Design		87-9881
	90-94	2.0L, NTN Design, (Incl. Turbo)		87-9884



CONSTANT VELOCITY JOINTS

MODEL YEARS SPECIFICATION / SIDE C.V. JOINT w/ ABS C.V. JOINT w/o ABS

Plymouth (Continued)

Laser (AWD)

Outboard	92-94 1.8L, Front, NTN Design.....	87-9882	
	90-91 1.8L, Front, NSK Design.....	87-9881	
Inboard	92-94 Front, Driver.....	87-8997	

Neon

Outboard	95-97	87-9934	87-9821
	98-99	87-9062	87-9821
Inboard	95-99 A/T, Driver.....		87-9935
	95-99 A/T, Passenger		87-9936
	95-99 M/T		87-9935

Reliant

Outboard	81-87 Citroen.....		87-9823
	84-89 ACI		87-9824
	86-89 Saginaw.....		87-8922
	88-89 GKN, 2.5L, EFI		87-9819
	1988 GKN, Turbo.....		87-9819
Inboard	83-86 Citroen, Driver		87-9129
	83-86 Citroen, Passenger.....		87-9131
	88-89 w/o Turbo, GKN, Passenger		87-9534
	88-89 Turbo, GKN, Both		87-9940

Sundance

Outboard	87-90 ACI		87-9824
	1987 Citroen.....		87-9823
	87-90 GKN, 2.5L, EFI		87-9819
	87-90 GKN, Turbo.....		87-9819
	87-92 Saginaw, (29 Splines on Race)		87-8922
	92-94 Saginaw, (32 Splines on Race)	87-8925	87-9528
	93-94 Saginaw, (29 Splines on Race)	87-8923	87-8922
Inboard	87-90 w/o Turbo, GKN, Driver.....		87-9940
	88-90 w/o Turbo, GKN, Passenger		87-9534
	89-90 Turbo, GKN, Both		87-9940

Plymouth SUV/Truck/Van

Voyager

Outboard	84-87 Citroen.....		87-9823
	87-90 GKN		87-9819
	91-95 Exc. 92-95 2.5L, A/T, 3 Spd.....	87-9953	87-9819
	92-95 2.5L, A/T, 3 Spd.....	87-9977	87-9976
	96-00	87-9352	87-9819
Inboard	91-95 Driver.....		87-9937
AWD	91-95 Passenger		87-9727
Inboard	84-86 Citroen, Driver		87-9129
FWD	84-86 Citroen, Passenger.....		87-9131
	87-90 GKN, Driver		87-9940
	87-90 GKN, Passenger.....		87-9534
	91-95 GKN, Driver		87-9937
	91-95 GKN, Passenger.....		87-9938
	96-00 Driver.....		87-9536
	96-00 Passenger		87-9537



CONSTANT VELOCITY JOINTS

MODEL YEARS SPECIFICATION / SIDE C.V. JOINT w/ ABS C.V. JOINT w/o ABS

Plymouth (Int'l Models) See Chrysler (Int'l Models)

Pontiac

2000, J2000				
Outboard	82-86			87-9832
<hr/>				
6000				
Outboard	82-91	LD Brakes ^{#4} , (29 Spline Race)		87-9832
	83-91	HD Brakes ^{#4} , (32 Spline Race)		87-9964
	87-89	LD Brakes ^{#4} , (32 Spline Race)		87-9011
	89-91	HD Brakes ^{#4} , (29 Spline Race)		87-9972
Inboard	84-91	A/T, 3 Spd., Driver		87-9110
	84-91	A/T, 4 Spd., Driver		87-9109
	84-91	A/T, 4 Spd., Passenger		87-9108
	87-91	M/T, (Tripod Design)		87-9108
<hr/>				
Bonneville				
Outboard	1987			87-9964
	88-91			87-9964
	92-94	3.8L, (32 Spline Race)		87-9838
	95-03	3.8L, 2.84 (F17), 2.86 (FQ3) Gear Ratio, w/o Supercharger		87-9838
Inboard	87-91	Driver		87-9109
	87-91	Passenger		87-9108
	92-94	w/o Supercharger, Driver		87-9109
	92-94	w/o Supercharger, Passenger		87-9108
	95-97	3.8L, 2.84 (F17) Gear Ratio, Driver		87-9109
	95-97	3.8L, 2.84 (F17) Gear Ratio, Passenger		87-9108
	1997	3.8L, Supercharged, Passenger		87-9724
	98-99	3.8L, 2.86 (FQ3) Gear Ratio, Passenger		87-9108
	00-03	3.8L, 3.06 (FW2) Drive Ratio, w/o Supercharger, Driver		87-9722
	00-03	3.8L, 3.06 (FW2) Drive Ratio, w/o Supercharger, Passenger		87-9723
<hr/>				
Fiero				
Outboard	85-88	A/T		87-9832
	85-88	M/T		87-9011
Inboard	85-88	A/T, Driver Side		87-9110
	85-88	M/T		87-9108
<hr/>				
Grand Am				
Outboard	85-90	29 Spline Race		87-9832
	85-91	32 Spline Race		87-9011
	91-96	29 Spline Race	87-9317	87-9832
	97-98	32 Spline Race	87-8945	
	01-03	A/T, (Trans. Code 4T60-E)		87-8947
	02-04	M/T, A/T, (Trans. Code 4T60-E)		87-8947
Inboard	85-88	A/T, 3 Spd., Driver		87-9110
	85-90	M/T, (Tripod Design)		87-9108
	89-95	A/T, 3 Spd., Driver		87-9110
	94-95	A/T, 4 Spd., Driver		87-9109
	94-95	A/T, 4 Spd., Passenger		87-9108
	96-98	A/T, 4 Spd., Driver		87-9109
	96-98	Passenger		87-9108
	99-04	4 Cyl.,		87-8963
	00-04	6 Cyl., A/T, (Trans Code 4T60E)		87-8963



CONSTANT VELOCITY JOINTS

MODEL YEARS SPECIFICATION / SIDE C.V. JOINT w/ ABS C.V. JOINT w/o ABS

Pontiac (Continued)

Grand Prix

Outboard	88-91 A/T, 3 Spd.....	87-9973
	88-96 Exc. A/T, 3 Spd.....	87-9323 87-9837
	92-93 A/T, 3 Spd.....	87-9318 87-9973
	97-03 3.1L.....	87-9838
Inboard	88-90 A/T, Driver.....	87-9109
	88-90 A/T, Passenger.....	87-9108
	91-93 A/T, 3 Spd, Driver.....	87-9110
	91-93 A/T, 4 Spd., Driver.....	87-9109
	91-93 A/T, 4 Spd., Passenger.....	87-9108
	91-93 M/T, Driver.....	87-9109
	91-93 M/T, Passenger.....	87-9108
	94-96 Driver.....	87-9109
	94-96 Passenger.....	87-9108
	97-99 3.1L, Driver.....	87-9109
	97-99 3.1L, Passenger.....	87-9108
	00-04 3.8L, Driver.....	87-9722
	00-03 3.8L, (Exc. Supercharged), Passenger.....	87-9723

LeMans

Outboard	1988 1st Design, (22 Spline Race) ^{#6}	87-9839
	88-93 2nd & 3rd Design, (29 Spline Race) ^{#6}	87-9999

Phoenix

Outboard	80-84.....	87-9832
-----------------	------------	---------

Sunbird

Outboard	82-91 29 Spline Race.....	87-9832
	85-91 32 Spline Race.....	87-9011
	92-94.....	87-9317 87-9832
Inboard	84-89 A/T, 3 Spd., Driver.....	87-9110
	85-89 6 Cyl, M/T, 5 Spd., (Tripod Design).....	87-9108
	90-94 A/T, 3 Spd., Driver.....	87-9110

Sunfire

Outboard	97-99 A/T, 4 Spd., (32 Spline Race).....	87-8945 87-9011
	97-99 M/T, (32 Spline Race).....	87-8945 87-9011
	00-05 32 Spline Race.....	87-8945
Inboard	95-97 A/T, 4 Spd.....	87-8963
	97-99 M/T.....	87-9108
	98-02 2.4L, A/T, 4 Spd.	87-8963
	03-05.....	87-8963

Vibe

Inboard	03-05 FWD, M/T.....	87-6758
----------------	---------------------------	----------------

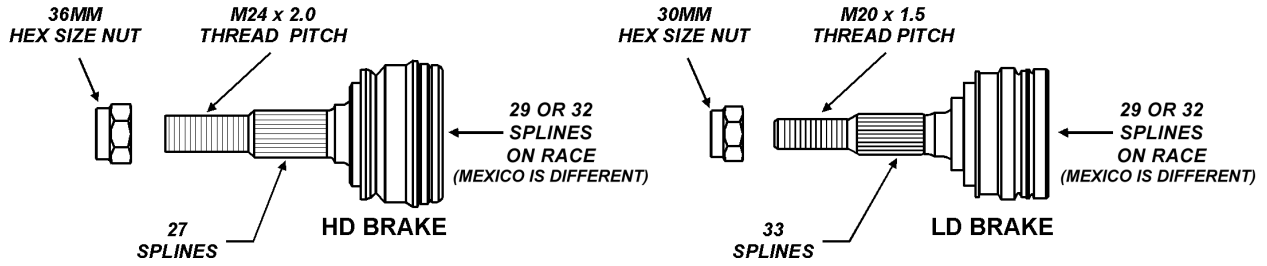


CONSTANT VELOCITY JOINTS

MODEL YEARS SPECIFICATION / SIDE C.V. JOINT w/ ABS C.V. JOINT w/o ABS

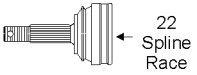
Pontiac (Continued)

#4 Note: To determine the type of brakes on 1982-1991 Pontiac 6000, examine the spindle threads on the outer C.V. Joint.

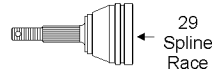


#6 Note: Pontiac LeMans

87-9839
1st Design



87-9999
2nd & 3rd Design



Pontiac SUV/Truck/Van

Aztec

Inboard	01-04 Driver	87-9732
	01-04 AWD, Passenger	87-9733

Trans Sport, Montana

Outboard	90-91	87-9964
	92-04	87-9838
Inboard	90-91 Passenger	87-9108
	92-95 A/T, 3 Spd., Passenger	87-9108
	92-95 A/T, 4 Spd., Driver	87-9109
	92-95 A/T, 4 Spd., Passenger	87-9108

Saab

900

Outboard	81-89	87-9895
	90-93	87-9957 87-9956
	94-98	87-8841

9000

Outboard	86-89 94 Teeth ABS Ring	87-9894
	90-98 46 Teeth ABS Ring	87-9010

Saab (International Models)

90

Outboard	8/84-87 2.0 (74 kW) M/T	87-9895
----------	-------------------------------------	---------

900

Outboard	1/81-7/85 .. 2.0 C, i (79-81-85-107 kW), Turbo	87-9895
	9/79-12/87 2.0 C, i (74-81-85-118-129 kW), Turbo 16, S, M/T,	87-9895

9000

Outboard	85-12/89 ... 2.0, 16v (92-94-96-127 kW), CD, CS, Turbo	87-9816
	85-12/89 ... 2.0, 16v (118-127-129 kW), Turbo	87-9816
	9/89- 2.3, 16v (107-108 kW) CD, CDE, CS, CSE,	87-9816

Saturn

Ion

Outboard	03-05 Exc. CVT	87-6759
----------	----------------------------	---------



CONSTANT VELOCITY JOINTS

MODEL YEARS SPECIFICATION / SIDE C.V. JOINT w/ ABS C.V. JOINT w/o ABS

Saturn (Continued)

SC, SL, SW

Outboard	91-93		87-9562	87-9836
	94-02	Exc. 'L' Series	87-9565	87-9564
	00-04	'L' Series	87-8729	87-9718
Inboard	94-02	Driver, (Exc. 'L' Series)		87-9415
	94-02	Passenger, (Exc. 'L' Series)		87-9447
	00-04	'L' Series, A/T		87-8710
	00-03	'L' Series, M/T		87-8709

Saturn SUV/Truck/Van

Vue

Outboard	02-03	4 Cyl., FWD w/M/T		87-8711
	02-03	6 Cyl., FWD and AWD		87-8711
Inboard	02-04	4 Cyl., FWD w/M/T, Passenger Side		87-8712
	02-03	6 Cyl., FWD, Driver Side		87-8714

Sterling

825, 827

Outboard	87-91		87-9947	87-9946
----------	-------------	--	---------	---------

Subaru

AWD

Outboard	80-84	Front		87-9898
----------	-------------	-------	--	---------

Coupe 3 DR. (2WD)

Outboard	85-87	Turbo		87-9901
	86-90	A/T, w/o Turbo		87-9899
	1986	M/T, w/o Turbo		87-9899
	87-89	M/T, w/o Turbo		87-9900
Inboard	85-87	Turbo		87-9731

Coupe 3 DR. (AWD)

Outboard	1986	Carb., w/o Turbo, Front		87-9899
	86-89	A/T, Turbo, Front		87-9901
	86-89	FI, w/o Turbo, Front		87-9901
Inboard	86-89	A/T, Turbo, Front		87-9639
	86-89	FI, w/o Turbo, Front		87-9731

Hatchback (AWD)

Outboard	85-89	Front		87-9898
----------	-------------	-------	--	---------

Impreza (2WD), Including Outback

Outboard	93-95			87-9903
	96-97			87-9638

Impreza (AWD), Including Outback

Outboard	93-95	M/T, Front		87-9904
	96-99	Front		87-9638
	00-04	Front	87-9156	87-9638
Inboard	2005	WRX Sedan, M/T (To 3/2/05)		87-6785

Justy (2WD)

Outboard	87-8/88			87-9905
	9/88-94			87-9906



CONSTANT VELOCITY JOINTS

MODEL YEARS SPECIFICATION / SIDE C.V. JOINT w/ ABS C.V. JOINT w/o ABS

Subaru (Continued)

Legacy (2WD), Including Outback

Outboard	90-92		87-9902
	1993	A/T	87-9902
	93-8/92	M/T	87-9902
	9/92-93	M/T	87-9903
	94-3/93	A/T	87-9902
	4/93-94	A/T	87-9903
	1994	M/T	87-9903
	1995	A/T	87-9903
	1995	M/T	87-9904
	1996	A/T, (Brighton, L, LS)	87-9638
	1996	A/T, (Outback, GT, LSi)	87-9904
	1996	M/T	87-9904
Inboard	90-94	25 Spline Race	87-9731

Legacy (AWD), Including Outback

Outboard	1990	A/T	87-9903
	1990	M/T	87-9904
	91-10/90	A/T	87-9903
	11/90-91	A/T	87-9904
	90-10/90	M/T	87-9904
	11/90-91	M/T	87-9903
	1992	A/T	87-9904
	92-9/91	M/T	87-9903
	10/91-92	M/T	87-9904
	93-95		87-9904

Loyale (2WD)

Outboard	1990	A/T, Turbo	87-9901
	90-93	A/T, w/o Turbo	87-9899
	90-93	M/T, w/o Turbo	87-9900
Inboard	1990	A/T, Turbo	87-9639

Loyale (AWD)

Outboard	90-93	w/o Turbo, Front	87-9900
Inboard	90-93	A/T, w/o Turbo, Front	87-9639

Sedan & Wagon (2WD)

Outboard	85-89	Carb	87-9899
	85-89	FI	87-9900
	85-89	Turbo	87-9901

Sedan & Wagon (2WD) (Cont.)

Inboard	85-89	Turbo, A/T	87-9639
	85-89	Turbo, M/T	87-9731

Sedan & Wagon (AWD)

Outboard	85-89	Front	87-9901
Inboard	85-89	Front	87-9639

SVX

Outboard	92-93		87-9903
-----------------	-------	--	---------

XT Coupe (2WD)

Outboard	85-89	Turbo	87-9901
	85-91	w/o Turbo	87-9900
Inboard	85-89	Turbo	87-9731



CONSTANT VELOCITY JOINTS

MODEL YEARS SPECIFICATION / SIDE C.V. JOINT w/ ABS C.V. JOINT w/o ABS

Subaru (Continued)

XT Coupe (AWD)

Outboard	85-89	Turbo, Front	87-9901
Inboard	85-87	A/T, Turbo, Front	87-9639
	85-87	M/T, Turbo, Front	87-9731

Note: All C.V. Joints listed in Subaru apply to the Front axle and not the *Rear* axle.

Subaru SUV/Truck/Van

Brat (4WD)

Outboard	82-88	Front	87-9898
-----------------	-------	-------	---------

Forester (4WD)

Outboard	98-99	Front	87-9638
	01-04	Front	87-9156 87-9638

Suzuki

Aerio (FWD)

Inboard	02-03	M/T, Passenger	87-9775
	02-03	M/T, Driver	87-9772

Aerio (AWD)

Outboard	2003		87-8732 87-9411
-----------------	------	--	----------------------

Esteem

Outboard	95-97	Exc. GLX with M/T	87-9411
	95-97	GLX, M/T	87-8732 87-9411
	98-00	A/T	87-9496
Inboard	95-97	A/T	87-9425
	99-02	1.8L, A/T, Driver	87-8723

Swift

Outboard	89-94	Exc. GT & GTi, Housing Marked 75 LAC	87-9912
	89-94	GT & GTi, Housing Marked 82 LAC	87-9942
	95-00	1.3L	87-9642 87-9671
Inboard	89-94	Exc. GT & GTi, Driver	87-9675
	89-94	Exc. GT & GTi, Passenger	87-9679

Suzuki SUV/Truck/Van

Sidekick (4WD)

Outboard	89-95	1.3L & 1.6L	87-9923
-----------------	-------	-------------	---------

Grand Vitara

Inboard	99-04	2.5L, M/T, Driver	87-9774
	99-04	2.5L, M/T, Passenger	87-9773
	01-03	2.7L, XL-7, Driver	87-9774
	01-03	2.7L, XL-7, Passenger	87-9773

Suzuki (International Models)

SS80

Outboard	81-88		87-9911
-----------------	-------	--	---------



CONSTANT VELOCITY JOINTS

MODEL YEARS SPECIFICATION / SIDE C.V. JOINT w/ ABS C.V. JOINT w/o ABS

Toyota

Avalon

Outboard	95-96		87-9949	87-9915
	97-01		87-9651	87-9650
Inboard	97-99	Driver		87-9349
	00-05	Passenger		87-8738

Camry, Solara, 4 Cyl., (2WD)

Outboard	83-88	Toyota Design, (24 Spline Race)		87-9657
	89-91	Japan Built, (24 Spline Race)		87-9657
	89-91	GKN, (30 Spline Race)	87-9035	87-9914
	92-96	GKN, (32 Spline Race)	87-9643	87-9944
	97-01		87-8851	87-8853
	02-03	Solara, A/T	87-8851	87-8853
	02-05	Camry	87-9791	87-9790
Inboard	83-88			87-9345
	89-91	A/T, Japan Built		87-9345
	89-91	GKN, Passenger, (30 Spline Tripod)		87-9662
	92-96	GKN, Driver, (32 Spline Tripod)		87-9661
	92-96	GKN, Passenger, (32 Spline Tripod)		87-9663
	02-05	Driver		87-9789
	02-05	Passenger		87-8740

Camry 4 Cyl. (AWD)

Outboard	88-91	Front		87-9645
Inboard	1988	Front		87-9522
	89-91	Driver, Front		87-9087
	89-91	Passenger, Front		87-9088

Camry, Solara, 6 Cyl.

Outboard	89-91	Toyota Design, (27 Spl. Race)		87-9645
	92-93	Toyota Design, (27 Spline Race)	87-9649	87-9648
	92-96	GKN, (34 Spline Race)	87-9949	87-9915
	97-01		87-9651	87-9650
	02-03		87-9792	
Inboard	88-93	Toyota Design, (27 Spline Race)		87-9522
	97-01	A/T, Driver		87-9349
	97-02	M/T, Passenger		87-9059
	2002	A/T, Driver, (Solara Only)		87-9349
	02-03	3.0L, USA Built, (Camry Only), Driver		87-9793
	02-03	3.0L, A/T, Japan Built, Passenger		87-8738

Celica

Outboard	86-89	GT & ST		87-9657
	86-89	GTS		87-9913
	88-89	All-Trac, AWD, Front		87-9645
	90-93	All-Trac, AWD, Front	87-8861	87-9057
	90-93	ST, A/T		87-9657
	90-93	ST, M/T		87-9808
	94-97	ST	87-9658	87-9657
	01-05	GTS	87-9795	87-9794
Inboard	86-89	GT & ST		87-9345
	88-93	All-Trac, Front		87-9522



CONSTANT VELOCITY JOINTS

MODEL YEARS SPECIFICATION / SIDE C.V. JOINT w/ ABS C.V. JOINT w/o ABS

Toyota (Continued)

Corolla, DX, LE, SR5 (2WD)

Outboard	84-87 Diesel Eng.	87-9657
	84-88 Gas Eng.	87-9808
	89-91 Sedan & Wagon, (23 Spline Race)	87-9808
	89-92 Sedan & Wagon, (29 Spline Race)	87-9833
	93-97 Toyota Design, (23 Spline Race)	87-9808
	93-00 Saginaw Design, (29 Spline Race)	87-9644	87-9510
	03-05 A/T	87-9717	87-9158
Inboard	84-85 Diesel Engine	87-9345
	93-00	87-9664
	03-05 M/T	87-6758

Corolla Coupe FX, FX 16, GTS (3 Dr.) (2WD)

Outboard	87-88 FX	87-9833
	87-88 FX 16	87-9657
	87-91 GTS Coupe	87-9833

Corolla (AWD)

Outboard	88-92 All-Trac, Front	87-9567
Inboard	88-92 Driver	87-9087
	88-92 Passenger	87-9088

Echo

Outboard	00-05	87-9777	87-9776
-----------------	-------	-------	----------------------	----------------

Matrix

Outboard	03-05	87-9717	87-9158
Inboard	03-05 FWD, M/T	87-6758

MR2

Outboard	1985 <i>Rear</i>	87-9657
	1986 <i>Rear</i> , A/T	87-9808
	1986 <i>Rear</i> , M/T	87-9657

Paseo

Outboard	92-97	87-9656	87-9655
-----------------	-------	-------	----------------------	----------------

Prius

Outboard	01-03	87-9797	
-----------------	-------	-------	----------------	--

Tercel

Outboard	80-82 Fixed Tripod Replacement ^{#8}	87-9309
	83-86 Fixed Tripod Replacement ^{#9}	87-9308
	87-88 SR5 Wagon, (Fixed Tripod Design) ^{#9}	87-9308
	87-90 Exc. 87-88 SR5 Wagon, (Rzeppa Design)	87-9808
	91-92	87-9646
	93-94	87-9647	87-9646
	95-98	87-8862	87-8863
Inboard	80-88 Sedan	87-9788
	91-94	87-9660

#8 Note: Replacement for Toyota Tercel Fixed Tripod type joint. Requires EMPI Shaft **87-8403-0**, (Driver), **87-8404-0**, (Passenger).

#9 Note: Replacement for Toyota Tercel Fixed Tripod type joint. Requires EMPI Shaft **87-7088-0**, (Driver), **87-7089-0**, (Passenger).

Note: Toyota Tercel Fixed Tripod has 3 legs and EMPI Design has Cage, Race and Ball.



CONSTANT VELOCITY JOINTS

MODEL YEARS SPECIFICATION / SIDE C.V. JOINT w/ ABS C.V. JOINT w/o ABS

Toyota SUV/Truck/Van

4 Runner (4WD)				
Outboard	84-85			87-9314
	86-95			87-9652
	96-02			87-9654
Inboard	86-95			87-9672

Highlander (2WD)				
Outboard	01-05	2.4L		87-9798
	01-03	3.0L		87-8741

Highlander (4WD)				
Outboard	01-05	2.4L		87-9798
	01-03	3.0L		87-9798
	04-05	3.3L		87-9798
Inboard	01-03	4WD, 6 Cyl, Driver Side		87-8739

Land Cruiser (4WD)				
Outboard	75-87			87-9314
	98-05			87-8892
Inboard	98-05			87-9799

Pickup (4WD)				
Outboard	75-85			87-9314
	86-95			87-9652
Inboard	86-95			87-9672

Previa				
Outboard	91-97		87-8861	87-9057
Inboard	91-97			87-9426

RAV4 (2WD)				
Outboard	96-00	A/T	87-9658	87-9657
Inboard	96-00	M/T, Driver Side		87-8706
	96-00	M/T, Passenger Side		87-8707

RAV4 (4WD)				
Outboard	96-00	Front	87-9658	87-9657
	96-00	Rear	87-9656	87-9655
Inboard	96-00	Driver, Front		87-9087
	96-00	Passenger, Front		87-9088
	01-03	Driver		87-8739

Sienna				
Outboard	98-02		87-9651	87-9650
Inboard	98-01	Driver		87-9349

T100 (4WD)				
Outboard	93-98			87-9652
Inboard	93-98			87-9672

Tacoma (4WD)				
Outboard	95-05	Automatic Locking Hub, (Threads on Stub Shaft)		87-9654
	95-00	Manual Locking Hub, (Snap Ring Groove on Stub Shaft)		87-9653
	05-07			87-6769
Inboard	95-04			87-9331



CONSTANT VELOCITY JOINTS

MODEL YEARS SPECIFICATION / SIDE C.V. JOINT w/ ABS C.V. JOINT w/o ABS

Toyota (International Models)

AE101, CE100, EE101, ST171 & SV30

Outboard 91-Up..... 1.8L & 2.0L 87-9657

Corolla

Outboard 87-88 1.6L FX, M/T 87-9655

Starlet

Outboard 86-88 87-9310

Volkswagen

Beetle (New Body)

Outboard 98-05 87-9669

Inboard 1998 2.0L, A/T 87-9680

98-04 M/T, (100mm) 87-9807

99-01 A/T 87-9079

Beetle (Old Body, Type I, Karman Ghia)

Both 67-79 **Rear**, IRS, (90mm) 87-9916

Cabriolet, Cabrio

Outboard 85-93 90mm 87-9806

95-02 90mm 87-9806

Inboard 87-93 100mm 87-9807

95-02 2.0L, A/T 87-9680

95-02 2.0L, M/T, (100mm) 87-9807

Corrado

Outboard 90-91 90mm 87-9806

92-94 87-9669

Inboard 90-94 4 Cyl., (100mm) 87-9807

Dasher

Outboard 74-80 To Ch. #32-A-0206-719 **87-9811**

80-81 From Ch. #32-A-0206-720 87-9810

Inboard 74-81 90mm 87-9916

Fox

Outboard 87-93 87-9810

Inboard 87-93 90mm 87-9916

Golf

Outboard 85-92 GL & GT, (81mm) 87-9810

85-92 GLi & GTi, (90mm) 87-9806

93-94 87-9806

95-99 4 Cyl., (Old Body Design) 87-9806

95-99 6 Cyl., (Old Body Design) 87-9669

99-01 New Body Design 87-9669

2002 6 Cyl. 87-9669

Inboard 85-92 GL & GT, (90mm) 87-9916

85-92 GLi & GTi, (100mm) 87-9807

93-99 4 Cyl., A/T, (Old Body Design) 87-9680

93-99 4 Cyl., M/T, (Old Body Design), 100mm 87-9807

95-01 6 Cyl., (Old & New Body Design), 100mm 87-9807

99-01 A/T, (New Body Design) 87-9079

02-05 GTi, 1.8L, A/T, Turbo 87-8733



CONSTANT VELOCITY JOINTS

MODEL YEARS SPECIFICATION / SIDE C.V. JOINT w/ ABS C.V. JOINT w/o ABS

Volkswagen (Continued)

Jetta

Outboard	80-81	External Clip, (81mm)	87-9811
	82-92	Internal Clip, GL & GT, (81mm)	87-9810
	85-92	GLi & GTi, (90mm)	87-9806
	93-94	90mm	87-9806
	95-99	4 Cyl., (Old Body Design), 90mm	87-9806
	95-01	6 Cyl., (Old & New Body Design)	87-9669
	99-05	4 Cyl., (New Body Design), Exc. 02-05 w/ 6 Spd. M/T	87-9669
Inboard	80-92	GL & GT, (90mm)	87-9916
	85-92	GLi & GTi, (100mm)	87-9807
	93-99	4 Cyl., A/T, (Old Body Design)	87-9680
	93-99	4 Cyl., M/T, (Old Body Design, 100mm)	87-9807
	95-00	6 Cyl., (Old & New Body Design, 100mm)	87-9807
	99-01	A/T, (New Body Design)	87-9079
	02-05	1.8L, A/T, Turbo	87-8733
	02-04	2.8L	87-8733

Passat (2WD)

Outboard	90-97	4 Cyl.	87-9806
	93-97	6 Cyl.	87-9669
	98-01	4 Cyl., (Old Body Design)	87-9008
	01-03	New Body	87-9046
Inboard	90-97	100mm	87-9807
	98-01	M/T, 1.8L, (108mm)	87-9508
	98-03	2.8L	87-9086
	01-03	1.8L, To Ch. #3B-3-402-000	87-9086

Passat (4 Motion)

Outboard	00-05	A/T, 2.8L	87-8884
	01-02	M/T, 2.8L	87-9046
	02-03	4.0L, To Ch. #3B-3-402-000	87-9046
Inboard	01-02	M/T, 2.8L	87-9086

Quantum (2WD)

Outboard	82-85	4 Cyl.	87-9810
	82-83	5 Cyl., To Ch. #32-D-099-297	87-9811
	83-88	5 Cyl., From Ch. #32-D-099-298	87-9815
Inboard	82-85	4 Cyl., (90mm)	87-9916
	82-83	5 Cyl., To Ch. #32-D-092-500, (90mm) ^{#7}	87-9916
	83-88	5 Cyl., From Ch. #32-D-092-501, (100mm) ^{#7}	87-9807

Quantum Syncro

Outboard	85-88	Front	87-9815
	85-87	Rear , To Ch. #33-H-086-636	87-9810
	87-88	Rear , From Ch. #33-H-086-637	87-9815
Inboard	85-88	Front, (100mm) ^{#7}	87-9807
	85-87	Rear , To Ch. #33-H-086-636, (90mm) ^{#7}	87-9916
	87-88	Rear , From Ch. #33-H-086-637, (100mm) ^{#7}	87-9807

Rabbit (Incl. Pickup)

Outboard	74-80	81mm ^{#7}	87-9811
	81-84	81mm ^{#7}	87-9810
Inboard	74-84	90mm ^{#7}	87-9916



CONSTANT VELOCITY JOINTS

MODEL YEARS SPECIFICATION / SIDE C.V. JOINT w/ ABS C.V. JOINT w/o ABS

Volkswagen (Continued)

Scirocco

Outboard	74-80 External Clip, (81mm) ^{#7}	87-9811
	81-88 8 Valve Eng., Internal Clip, (81mm) ^{#7}	87-9810
	84-88 16 Valve Eng., (90mm) ^{#7}	87-9806
Inboard	74-88 8 Valve Eng., (90mm) ^{#7}	87-9916
	84-88 16 Valve Eng., (100mm) ^{#7}	87-9807

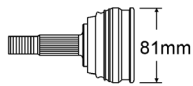
Type III, Fastback, Squareback

Both	68-73 Rear , IRS, (90mm)	87-9916
------	-------	---------------------------------------	---------

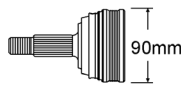
#7 Note:

Outboard Joint O.D.

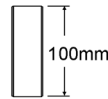
Inboard Joint O.D.



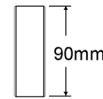
87-9810/87-9811



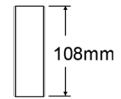
87-9806



87-9073/87-9807/87-9917



87-9916



87-9149/87-9508

Volkswagen SUV/Truck/Van

Eurovan

Outboard	93-02	87-9100	87-9099
-----------------	-------	-------	---------	---------

Transporter, Type II

Both	68-79 Rear , IRS, (100mm)	87-9917
------	-------	--	---------

Vanagon (2WD)

Both	80-92 Rear , (100mm)	87-9917
------	-------	-----------------------------------	---------

Vanagon Syncro (4WD)

Outboard	86-91	87-8708
Inboard	86-92 Front, (100mm)	87-9917
	86-92 Rear , (100mm)	87-9917

Volkswagen (International Models)

Atlantic

Outboard	77-80	87-9811
	81-87	87-9810
Inboard	77-87 90mm	87-9916

Beetle (New Body)

Outboard	98-05	87-9669
Inboard	98-01 M/T, Passenger, (100mm)	87-9073
	98-01 M/T, Driver, (100mm)	87-9807
	1998 2.0 LTS, A/T	87-9680
	99-01 1.8 Y 2.0 LTS, A/T	87-9079

Caribe

Outboard	77-80	87-9811
	81-87	87-9810
Inboard	77-87 90mm	87-9916

Combi

Both	70-97 Rear , IRS, (100mm)	87-9917
------	-------	--	---------

Corsar

Outboard	85-87 81mm	87-9810
Inboard	85-87 90mm	87-9916

Derby

Outboard	95-98 90mm	87-9806
-----------------	-------	------------------	---------



CONSTANT VELOCITY JOINTS

MODEL YEARS SPECIFICATION / SIDE C.V. JOINT w/ ABS C.V. JOINT w/o ABS

Volkswagen (International Models) (Continued)

Eurovan

Outboard	00-04	M/T	87-9148
Inboard	00-04	M/T (108mm)	87-9149

Golf

Outboard	87-91	90mm	87-9810
	92-98	1.8 Y, 2.0 LTS., (90mm)	87-9806
	99-01	2.0 LTS.	87-9669
Inboard	87-91	90mm	87-9916
	92-99	A/T	87-9680
	92-01	M/T, (100mm), Driver	87-9807
	92-01	M/T, (100mm), Passenger	87-9073
	99-01	1.8 Y 2.0 LTS, A/T	87-9079

Jetta

Outboard	87-91	81mm	87-9810
	92-98	1.8 Y, 2.0 LTS, (90mm)	87-9806
	99-01	2.0 LTS	87-9669
Inboard	87-91	90mm	87-9916
	92-99	A/T	87-9680
	92-01	M/T, (100mm), Passenger	87-9073
	92-01	M/T, (100mm), Driver	87-9807

Jetta VR6

Outboard	94-01	2.8 LTS.	87-9669
Inboard	94-98	2.8 LTS., Driver (100mm)	87-9073
	94-98	2.8 LTS., Passenger (100mm)	87-9807

Volkswagen Off-Road

Please see pages 143-149 of our 2006 EMPI Performance Products Catalog for more information

Volvo

850

Outboard	93-97	w/o Turbo	87-9950	87-9665
	94-97	Turbo	87-9668	87-9667
Inboard	93-97	w/o Turbo, Driver	87-9144	

S40,V40

Inboard	2000	Right Side	87-6786
	01-03	Left Side	87-6787
	01-03	Right Side	87-6788

C70

Outboard	1998	2.3L	87-9668
	1998	2.4L	87-9950

S70, V70

Outboard	1998	2.3L	87-9668
	98-00	2.4L	87-9950

Volvo (International Models)

850

Outboard	91-96	2.0 10v, (93-105 kW)	87-9950
	91-96	2.4, (104-126 kW), Exc. Turbo	87-9950
	91-96	2.5 10v, 20v, (103-105-125 kW)	87-9950



CONSTANT VELOCITY JOINTS

MODEL	YEARS	SPECIFICATION / SIDE	C.V. JOINT w/ ABS	C.V. JOINT w/o ABS
-------	-------	----------------------	-------------------	--------------------

Volvo (International Models)

C70

Outboard	3/97-992.0 20v, (132kW)	87-9950
----------	---------	-----------------------	-------	---------

S70, V70

Outboard	1/97-992.0 20v, (93-105-132 kW)	87-9950
	1/97-992.4 20v, (106-125 kW)	87-9950



FOOTNOTES

Note: All C.V. Joints listed in Subaru apply to the Front axle and **not the Rear axle.**

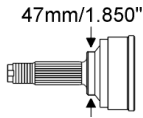
Note: Toyota Tercel Fixed Tripod has 3 legs and EMPI Design has Cage, Race and Ball.

#1 Note: Some Honda Joints can be identified by looking at stripe color on axle bar.

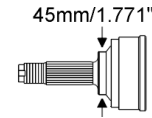


#2 Note: Honda Accord

87-9842

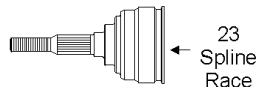


87-9843

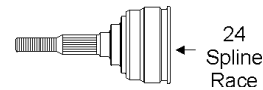


#3 Note: G.M. Celebrity, Citation (International Models)

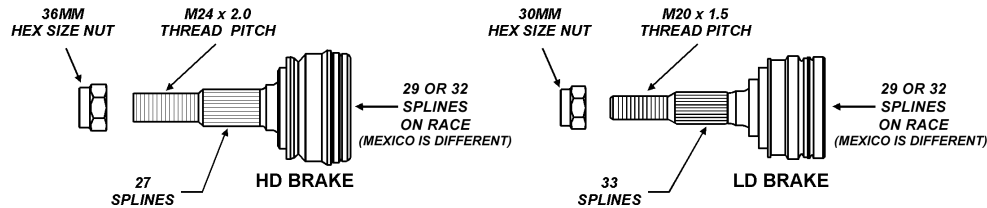
87-9686



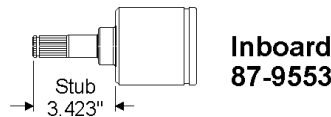
87-9687



#4 Note: G.M. Vehicles

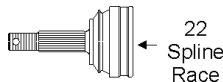


#5 Note: 84-90 Ford Escort, EXP, 84-91 Tempo, 84-87 Mercury Lynx, LN7, 84-91 Topaz

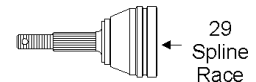


#6 Note: Pontiac LeMans

87-9839
1st Design

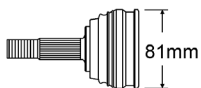


87-9999
2nd & 3rd Design

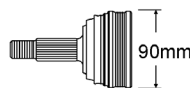


#7 Note: Volkswagen

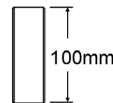
Outboard Joint O.D.



87-9810/87-9811

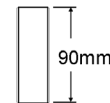


87-9806

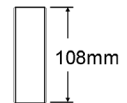


87-9073/87-9807/87-9917

Inboard Joint O.D.



87-9916



87-9149/87-9508

#8 Note: Replacement for Toyota Tercel Fixed Tripod type joint. Requires EMPI Shaft 87-8403-0, (Driver), 87-8404-0, (Passenger).

#9 Note: Replacement for Toyota Tercel Fixed Tripod type joint. Requires EMPI Shaft 87-7088-0, (Driver), 87-7089-0, (Passenger).



ORDERING INFORMATION

Ordering Information

EMPI Constant Velocity Joints may be purchased in Bulk or in Kits. EMPI Constant Velocity Joint Kits come packaged in our distinctive 3-Color Tri-Lingual Box. EMPI bulk Constant Velocity Joints are packed in a Poly Bag. All Constant Velocity Joints are sold each (1) per part number.

To order C.V. Joints in Kit Form, simply add a "K" to the end of the part number.

Boxed C.V. Joint Kit Example (87-9850-K)

"K" Kits Include the following:

- New C.V. Joint
- New Spindle Nut (if applicable)
- New C.V. Boot and Stainless Steel Clamps
- New Retaining Clip and Hardware (if applicable)
- New ABS Ring installed (if applicable)
- New Inboard Bearing and/or Flange (if applicable)
- New Moly Grease Packed in Outboards, 4 oz. Packet supplied with Inboards
- Packaged in our distinctive 3-Color, Tri-Lingual Box



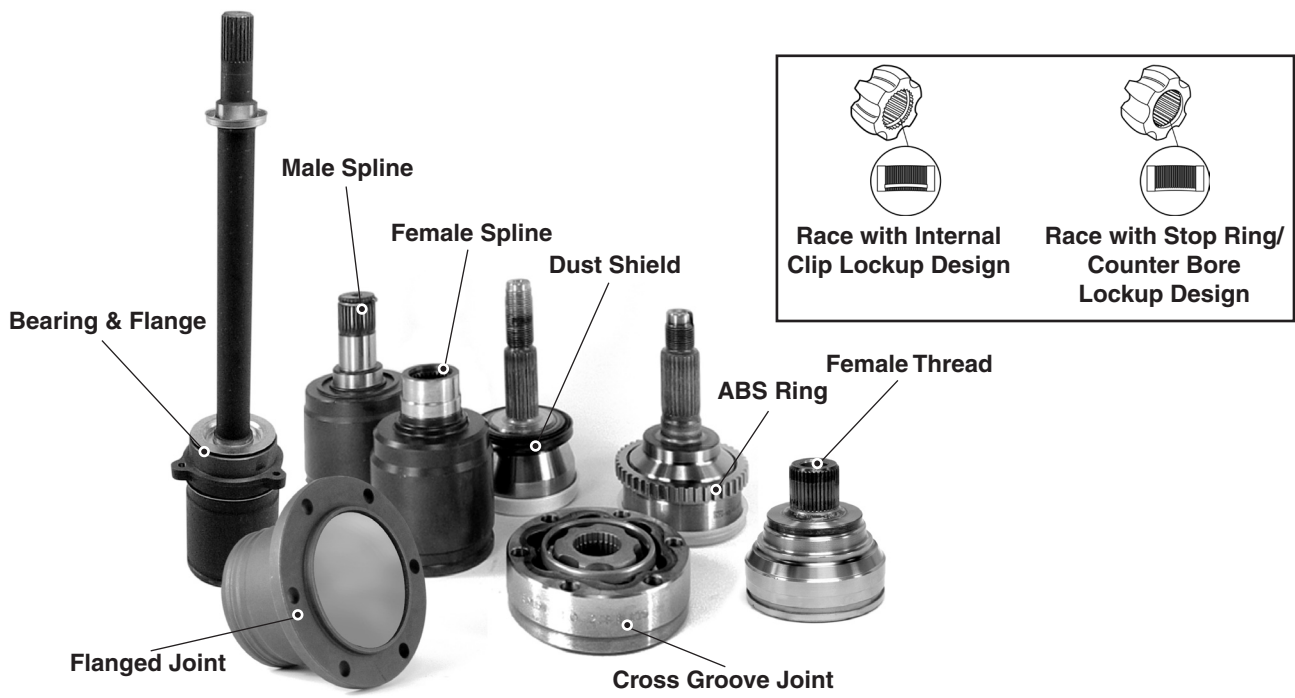
Bulk C.V. Joint Example (87-9850-0)

"0" Bulk includes the following:

- New C.V. Joint
- New ABS Ring installed (if applicable)
- New Inboard Bearing and/or Flange (if applicable)
- Packaged in a Poly Bag

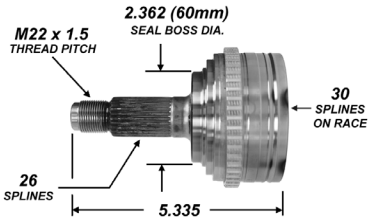
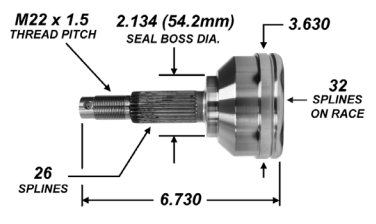
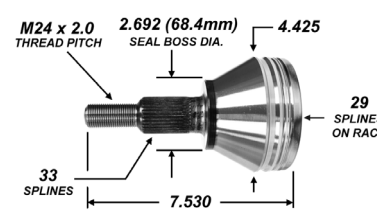

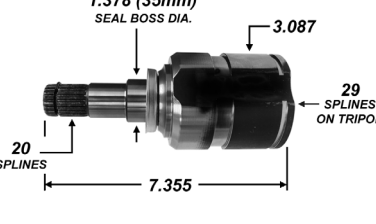
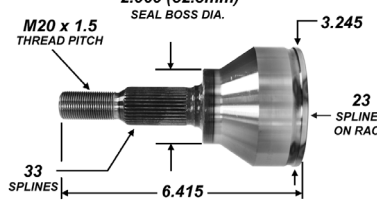
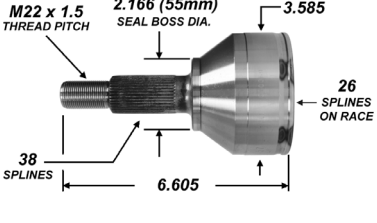

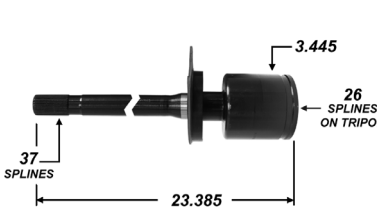
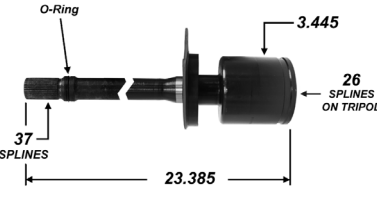
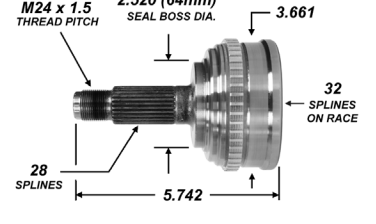
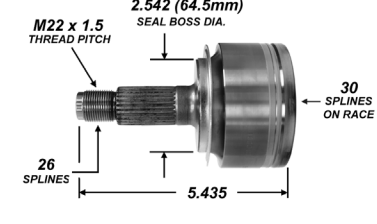
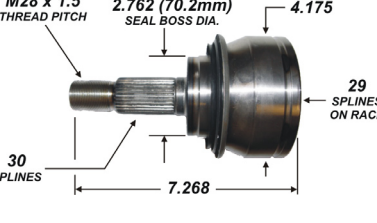
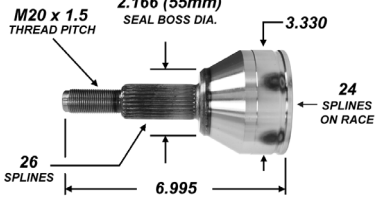



Important Details:
 EMPI C.V. Joints may be a different design than Original Equipment.
 EMPI Inboard Joints may be Tripod Design instead of D.O.J. Design (Cage, Race & Ball Bearings)
 EMPI may replace a Trilobal or Thermoplastic C.V. Boot with a Round 100% Neoprene C.V. Boot.
 EMPI may replace a "Y" Shaped Inboard Joint with a "Round" Shaped Inboard Joint.
 EMPI C.V. Joints have the Dust Shields installed, but not all C.V. Joints come with Dust Shields.
 EMPI Inboard Joints have the Bearing and/or Flange installed (if applicable).
 EMPI Outboard Joints have the ABS Ring installed (if applicable).
 EMPI Outboard Joints may substitute an Internal Clip Race Lockup for a Counter Bore/Stop Ring Lockup Race.





C.V. JOINT ILLUSTRATIONS

<p style="text-align: center; color: red; font-weight: bold;">87-6750 (AC-109)</p>  <p style="text-align: center; color: red; font-weight: bold;">ABS (50 Teeth)</p>	<p style="text-align: center; color: red; font-weight: bold;">87-6751 (CH-168)</p> 	<p style="text-align: center; color: red; font-weight: bold;">87-6752 (CH-169)</p> 
<p style="text-align: center; color: red; font-weight: bold;">87-6753 (CH-236)</p> 	<p style="text-align: center; color: red; font-weight: bold;">87-6758 (TO-243)</p> 	<p style="text-align: center; color: red; font-weight: bold;">87-6759 (GM-169)</p> 
<p style="text-align: center; color: red; font-weight: bold;">87-6761 (FO-157)</p> 	<p style="text-align: center; color: red; font-weight: bold;">87-6762 (FO-242)</p> 	<p style="text-align: center; color: red; font-weight: bold;">87-6763 (FO-243)</p>  <p style="text-align: center; color: red; font-weight: bold;">Bearing</p>
<p style="text-align: center; color: red; font-weight: bold;">87-6764 (FO-244)</p>  <p style="text-align: center; color: red; font-weight: bold;">Bearing</p>	<p style="text-align: center; color: red; font-weight: bold;">87-6765 (AC-110)</p>  <p style="text-align: center; color: red; font-weight: bold;">ABS (50 Teeth)</p>	<p style="text-align: center; color: red; font-weight: bold;">87-6768 (HO-156)</p> 
<p style="text-align: center; color: red; font-weight: bold;">87-6769 (TO-178)</p> 	<p style="text-align: center; color: red; font-weight: bold;">87-6777 (FO-158)</p> 	<p style="text-align: center; color: red; font-weight: bold;">87-6778 (FO-245)</p> 

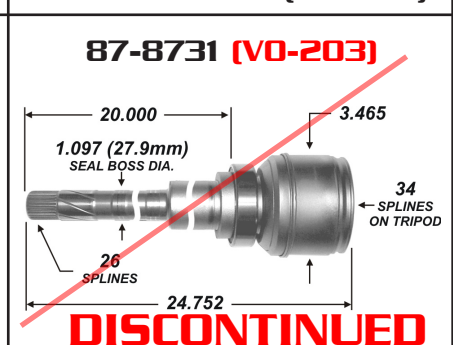
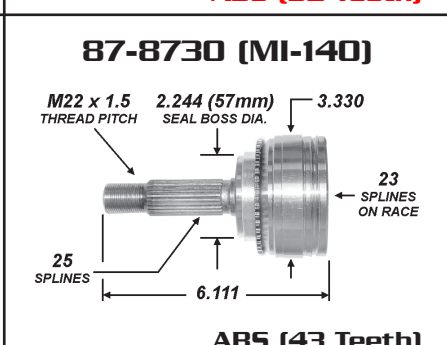
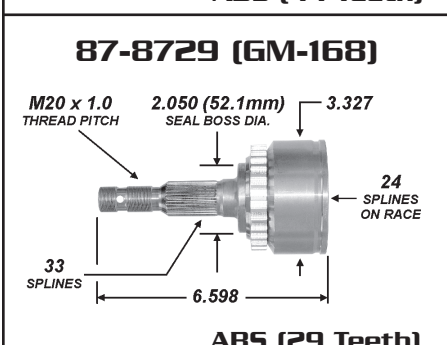
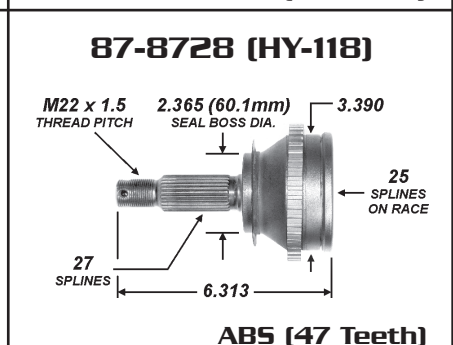
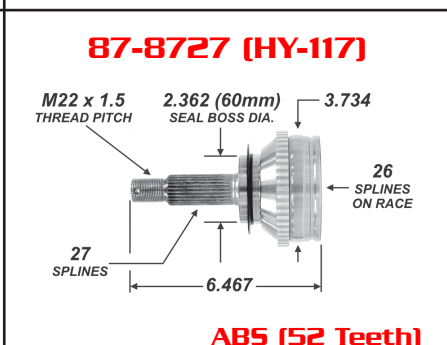
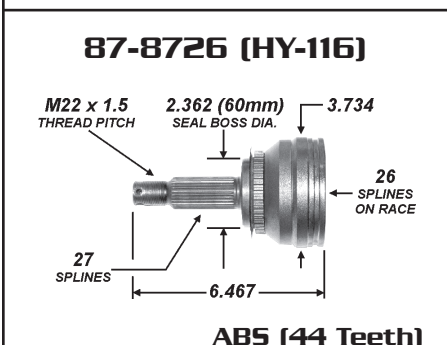
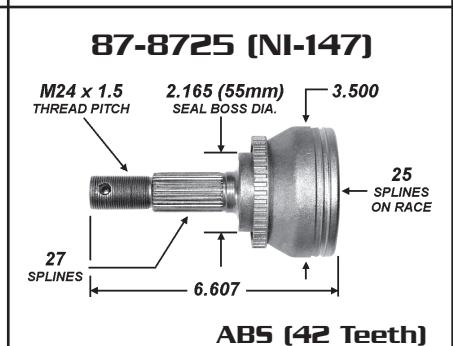
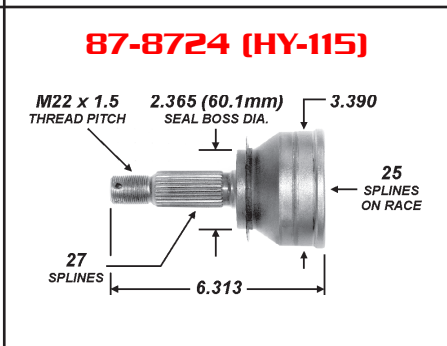
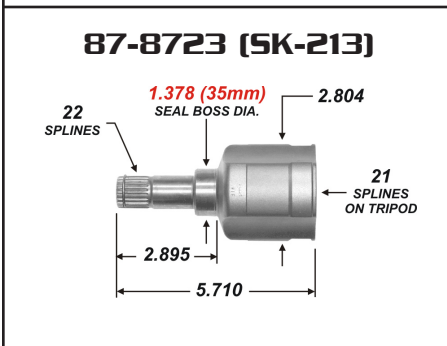
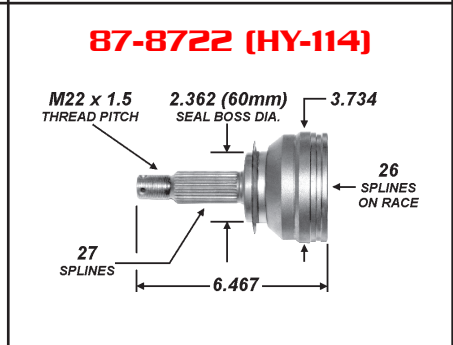
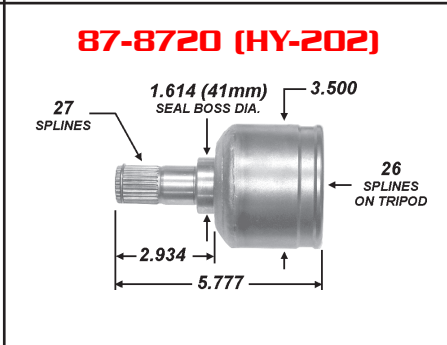
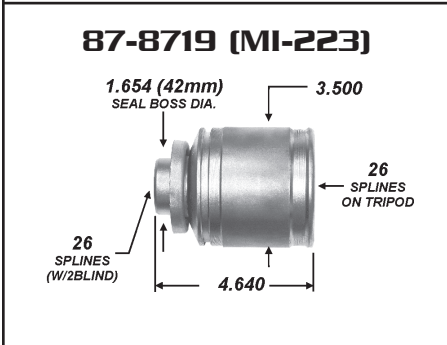
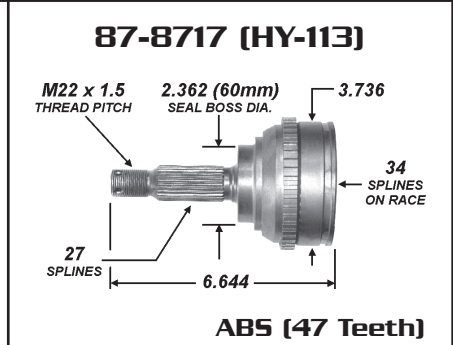
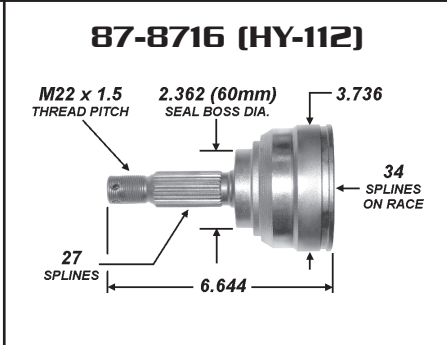
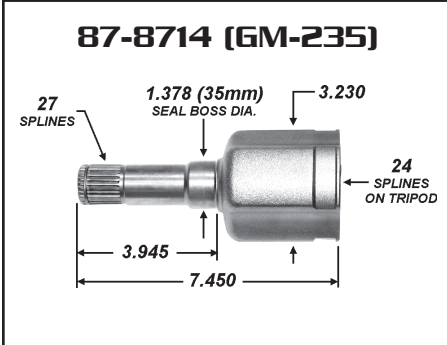


C.V. JOINT ILLUSTRATIONS

<p style="text-align: center; color: red; font-weight: bold;">87-6779 (HY-123)</p>	<p style="text-align: center; color: red; font-weight: bold;">87-6780 (MA-229)</p>	<p style="text-align: center; color: red; font-weight: bold;">87-6781 (MA-230)</p>
<p style="text-align: center; color: red; font-weight: bold;">87-6782 (MA-231)</p>	<p style="text-align: center; color: red; font-weight: bold;">87-6785 (SU-210)</p>	<p style="text-align: center; color: red; font-weight: bold;">87-6786 (VO-204)</p>
<p style="text-align: center; color: red; font-weight: bold;">87-6787 (VO-205)</p>	<p style="text-align: center; color: red; font-weight: bold;">87-6788 (VO-206)</p>	<p style="text-align: center; color: red; font-weight: bold;">87-8706 (TO-237)</p>
<p style="text-align: center; color: red; font-weight: bold;">87-8707 (TO-238)</p> <p style="text-align: center; font-weight: bold;">Bearing</p>	<p style="text-align: center; color: red; font-weight: bold;">87-8708 (VW-113)</p>	<p style="text-align: center; color: red; font-weight: bold;">87-8709 (GM-236)</p>
<p style="text-align: center; color: red; font-weight: bold;">87-8710 (GM-233)</p>	<p style="text-align: center; color: red; font-weight: bold;">87-8711 (GM-167)</p>	<p style="text-align: center; color: red; font-weight: bold;">87-8712 (GM-234)</p>



C.V. JOINT ILLUSTRATIONS





C.V. JOINT ILLUSTRATIONS

<p style="text-align: center;">87-8732 (SK-113)</p> <p style="text-align: center;">ABS (42 Teeth)</p>	<p style="text-align: center;">87-8733 (AU-204)</p> <p style="text-align: center;">Bearing</p>	<p style="text-align: center;">87-8734 (IZ-110)</p> <p style="text-align: center;">Bearing</p>
<p style="text-align: center;">87-8735 (HY-203)</p> <p style="text-align: center;">Bearing</p>	<p style="text-align: center;">87-8738 (TO-240)</p> <p style="text-align: center;">Bearing</p>	<p style="text-align: center;">87-8739 (TO-241)</p> <p style="text-align: center;">Bearing</p>
<p style="text-align: center;">87-8740 (TO-242)</p> <p style="text-align: center;">Bearing</p>	<p style="text-align: center;">87-8741 (TO-175)</p> <p style="text-align: center;">ABS (48 Teeth)</p>	<p style="text-align: center;">87-8742 (HY-119)</p> <p style="text-align: center;">ABS (44 Teeth)</p>
<p style="text-align: center;">87-8743 (HY-120)</p> <p style="text-align: center;">ABS (44 Teeth)</p>	<p style="text-align: center;">87-8744 (CH-234)</p> <p style="text-align: center;">Bearing</p>	<p style="text-align: center;">87-8745 (HY-121)</p> <p style="text-align: center;">ABS (29 Teeth)</p>
<p style="text-align: center;">87-8746 (CH-235)</p> <p style="text-align: center;">Bearing</p>	<p style="text-align: center;">87-8748 (FO-156)</p> <p style="text-align: center;">Bearing</p>	<p style="text-align: center;">87-8749 (TO-177)</p> <p style="text-align: center;">ABS (48 Teeth)</p>



C.V. JOINT ILLUSTRATIONS

87-8750 (HY-122)

M22 x 1.5
THREAD PITCH

2.365 (60.1mm)
SEAL BOSS DIA.

3.390

25
SPLINES
ON RACE

27
SPLINES

6.313

ABS (52 Teeth)

87-8805 (TO-134)

M22 x 1.5
THREAD PITCH

2.205 (56mm)
SEAL BOSS DIA.

3.543

27
SPLINES
ON RACE

26
SPLINES

6.500

DISCONTINUED

87-8806 (TO-135)

M22 x 1.5
THREAD PITCH

2.205 (56mm)
SEAL BOSS DIA.

3.543

27
SPLINES
ON RACE

26
SPLINES

6.500

DISCONTINUED

87-8813 (AC-108)

M22 x 1.5
THREAD PITCH

2.165 (55mm)
SEAL BOSS DIA.

3.324

32
SPLINES
ON RACE

26
SPLINES

5.245

ABS (50 Teeth)

87-8815 (CH-150)

M22 x 1.5
THREAD PITCH

2.488 (63.2mm)
SEAL BOSS DIA.
(W/ Dust Shield)

3.800

34
SPLINES
ON RACE

31
SPLINES

7.000

87-8841 (SA-105)

M22 x 1.5
THREAD PITCH

2.054 (52.2mm)
SEAL BOSS DIA.

3.557

25
SPLINES
ON RACE

33
SPLINES

6.285

ABS (29 Teeth)

87-8850 (NI-233)

13.375

1.299 (33mm)
SEAL BOSS DIA.

3.475

25
SPLINES
ON TRIPOD

27
SPLINES

2.500

17.125

Bearing / Flange

87-8851 (TO-142)

M22 x 1.5
THREAD PITCH

2.205 (56mm)
SEAL BOSS DIA.

3.325

24
SPLINES
ON RACE

26
SPLINES

6.353

ABS (48 Teeth)

87-8853 (TO-144)

M22 x 1.5
THREAD PITCH

2.205 (56mm)
SEAL BOSS DIA.

3.325

24
SPLINES
ON RACE

26
SPLINES

6.353

87-8856 (TO-222)

13.125

1.378 (35mm)
SEAL BOSS DIA.

3.235

24
SPLINES
ON TRIPOD

20
SPLINES

17.100

DISCONTINUED

87-8861 (TO-150)

M22 x 1.5
THREAD PITCH

2.205 (56mm)
SEAL BOSS DIA.

3.736

27
SPLINES
ON RACE

26
SPLINES

6.449

ABS (48 Teeth)

87-8862 (TO-148)

M22 x 1.5
THREAD PITCH

2.205 (56mm)
SEAL BOSS DIA.

3.015

22
SPLINES
ON RACE

26
SPLINES

5.658

ABS (48 Teeth)

87-8863 (TO-149)

M22 x 1.5
THREAD PITCH

2.205 (56mm)
SEAL BOSS DIA.

3.015

22
SPLINES
ON RACE

26
SPLINES

5.658

87-8866 (NI-134)

M22 x 1.5
THREAD PITCH

2.165 (55mm)
SEAL BOSS DIA.

3.295

23
SPLINES
ON RACE

25
SPLINES

6.640

ABS (42 Teeth)

87-8867 (NI-231)

25
SPLINES

1.575 (40.0mm)
SEAL BOSS DIA.

3.203

23
SPLINES
ON TRIPOD

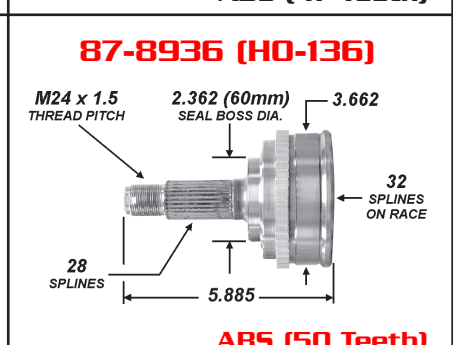
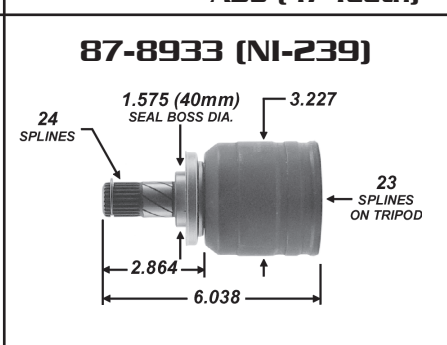
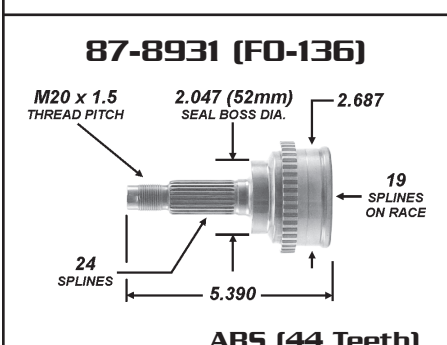
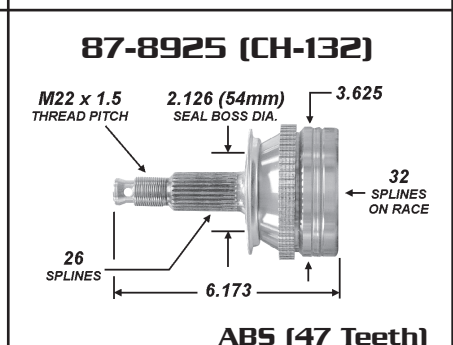
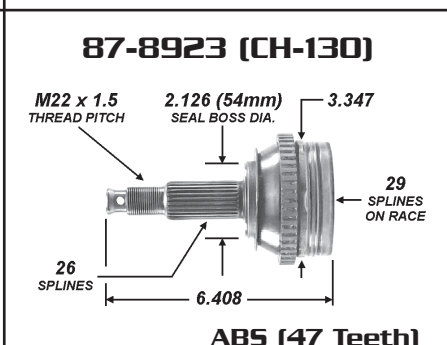
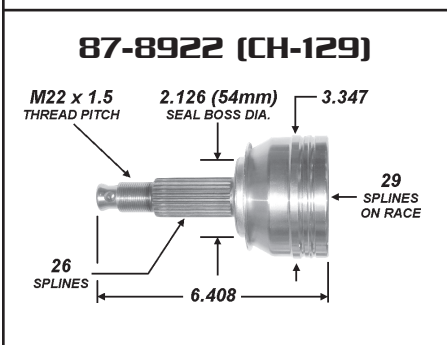
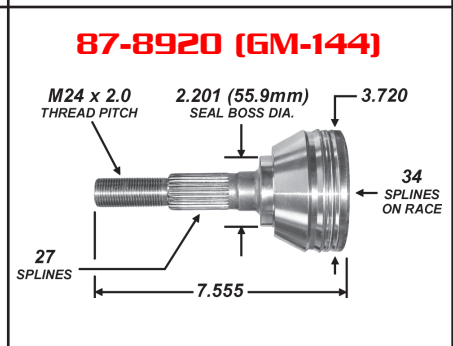
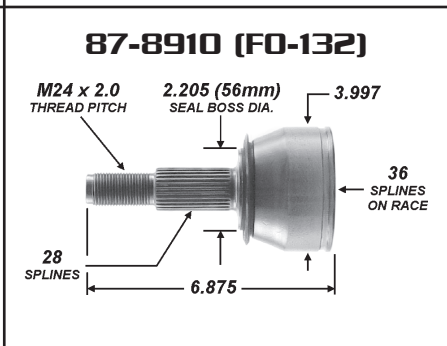
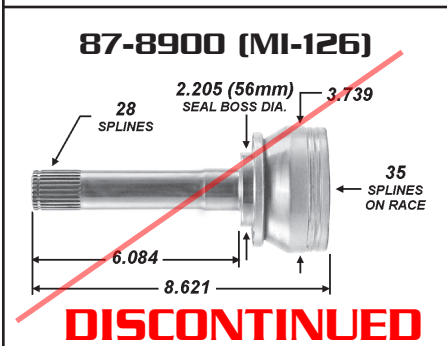
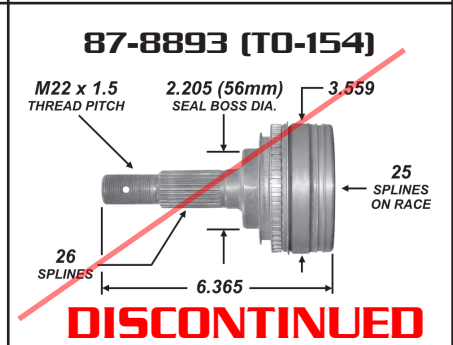
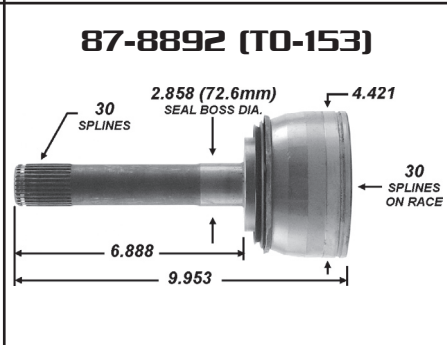
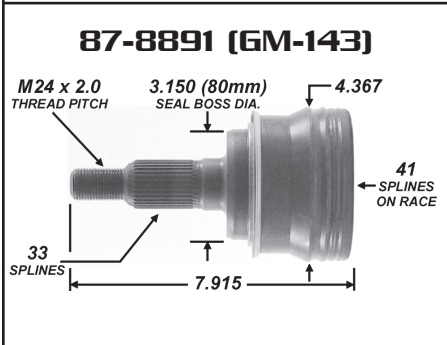
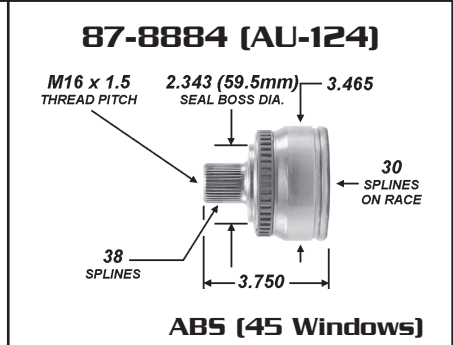
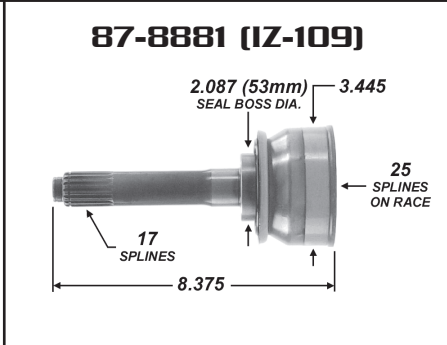
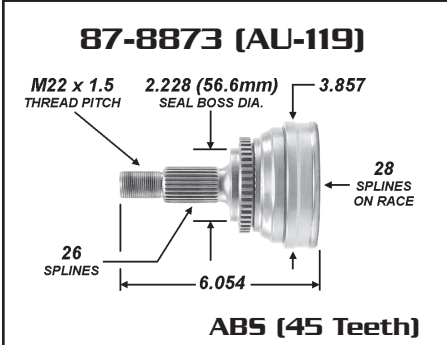
3.274

6.662

DISCONTINUED



C.V. JOINT ILLUSTRATIONS



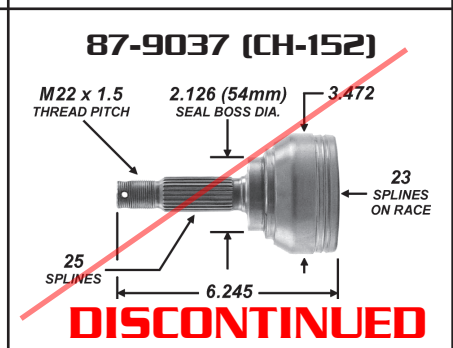
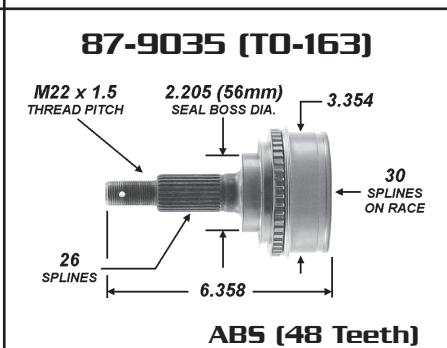
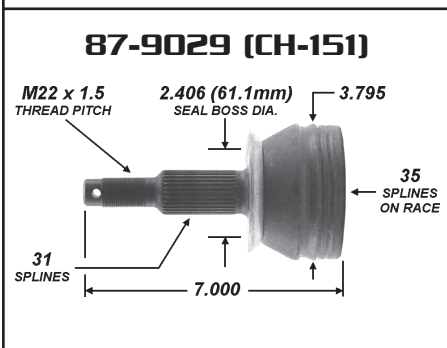
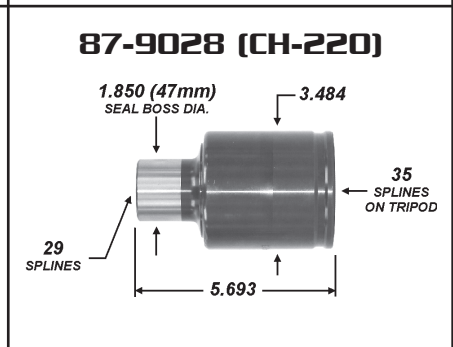
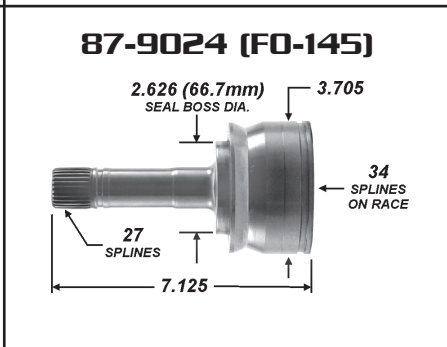
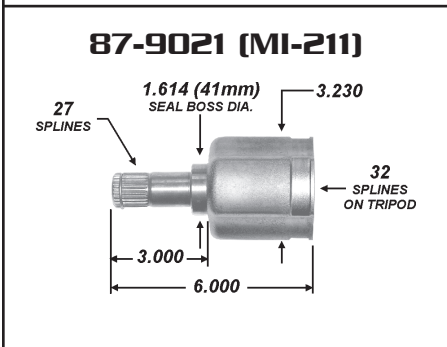
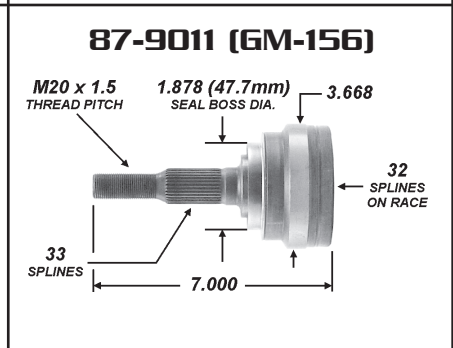
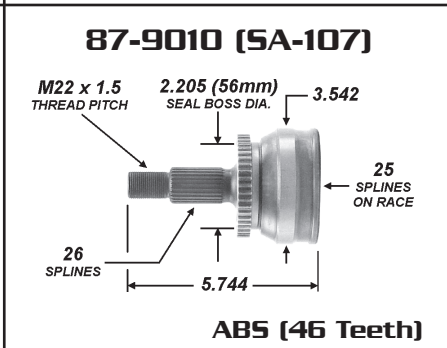
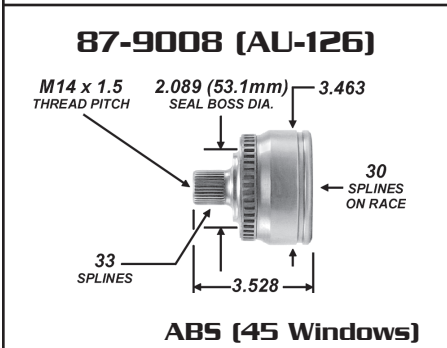
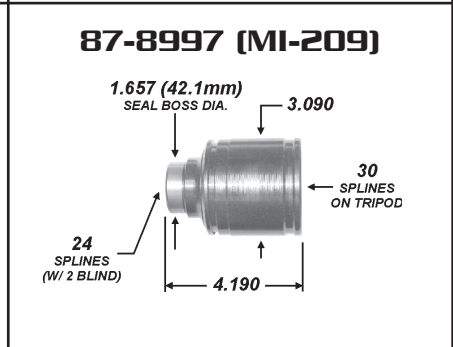
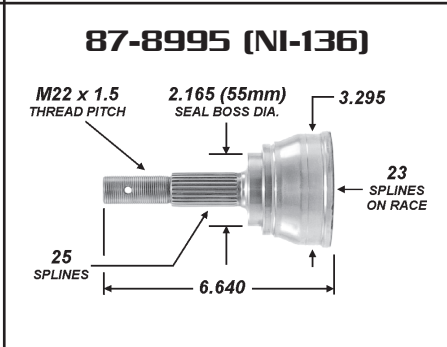
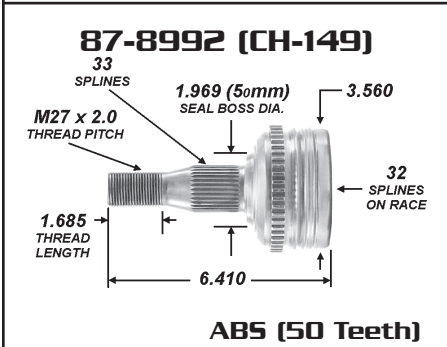
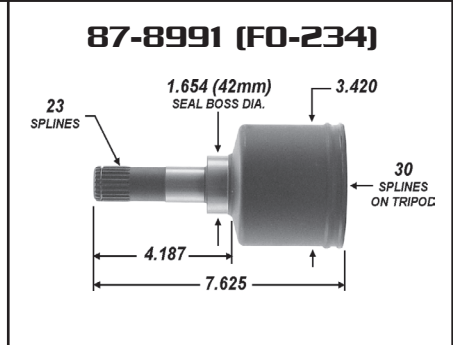
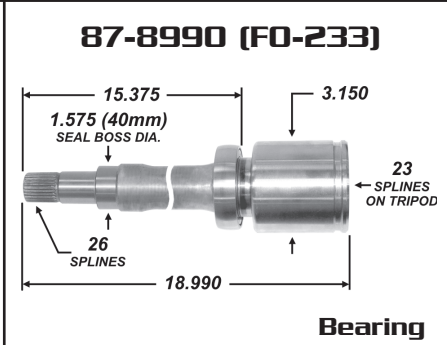
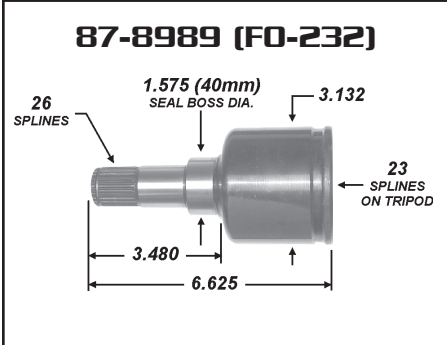


C.V. JOINT ILLUSTRATIONS

<p style="text-align: center;">87-8940 (FO-139)</p> <p style="text-align: center;">ABS (48 Teeth)</p>	<p style="text-align: center;">87-8945 (GM-148)</p> <p style="text-align: center;">ABS (48 Teeth)</p>	<p style="text-align: center;">87-8947 (GM-149)</p> <p style="text-align: center;">ABS (48 Teeth)</p>
<p style="text-align: center;">87-8956 (CH-143)</p> <p style="text-align: center;">ABS (50 Teeth)</p>	<p style="text-align: center;">87-8957 (CH-144)</p> <p style="text-align: center;">ABS (50 Teeth)</p>	<p style="text-align: center;">87-8963 (GM-214)</p> <p style="text-align: center;">ABS (50 Teeth)</p>
<p style="text-align: center;">87-8964 (NI-135)</p> <p style="text-align: center;">ABS (44 Teeth)</p>	<p style="text-align: center;">87-8966 (GM-151)</p> <p style="text-align: center;">ABS (44 Teeth)</p>	<p style="text-align: center;">87-8971 (HO-141)</p> <p style="text-align: center;">ABS (44 Teeth)</p>
<p style="text-align: center;">87-8977 (HY-106)</p> <p style="text-align: center;">ABS (47 Teeth)</p>	<p style="text-align: center;">87-8978 (KA-104)</p> <p style="text-align: center;">ABS (47 Teeth)</p>	<p style="text-align: center;">87-8979 (MI-128)</p> <p style="text-align: center;">ABS (43 Teeth)</p>
<p style="text-align: center;">87-8985 (FO-230)</p> <p style="text-align: center;">ABS (47 Teeth)</p>	<p style="text-align: center;">87-8987 (MA-227)</p> <p style="text-align: center;">ABS (47 Teeth)</p>	<p style="text-align: center;">87-8988 (GM-157)</p> <p style="text-align: center;">ABS (47 Teeth)</p>

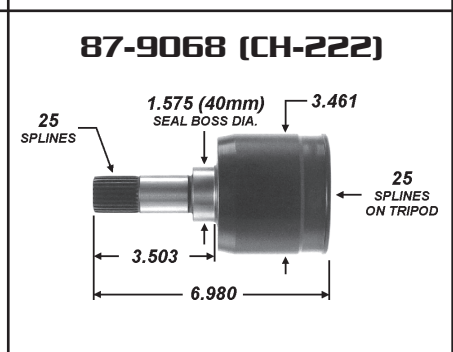
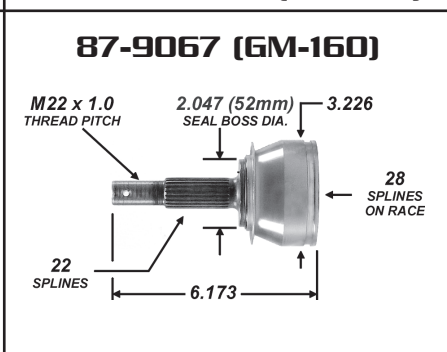
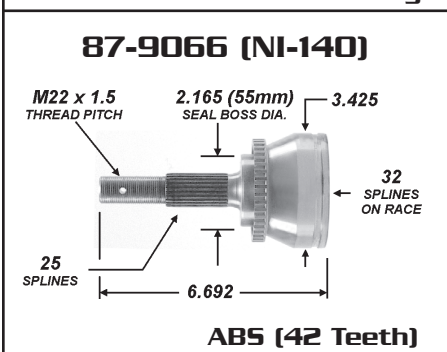
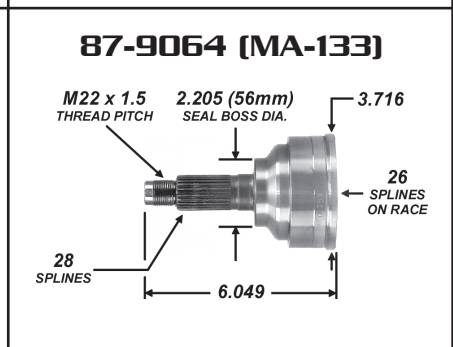
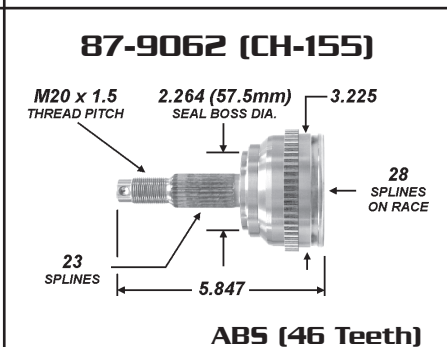
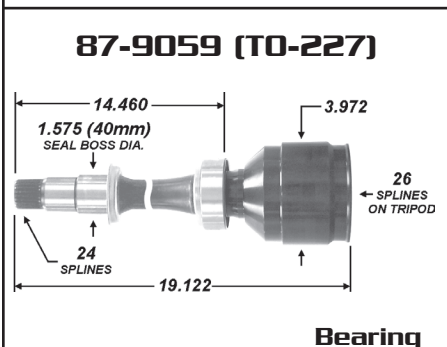
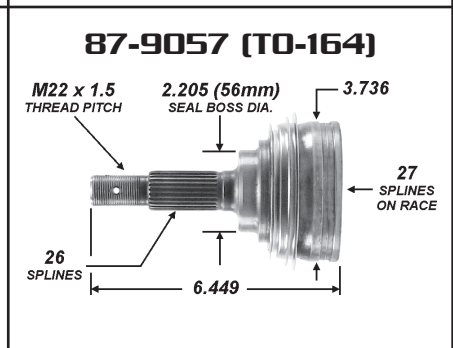
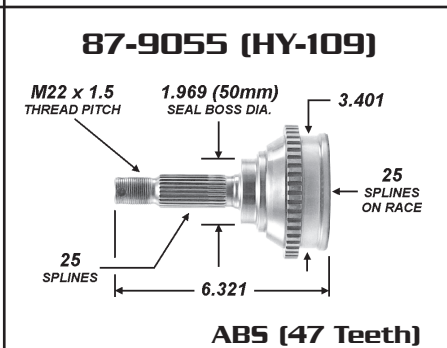
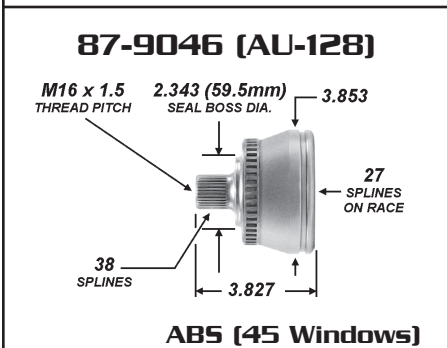
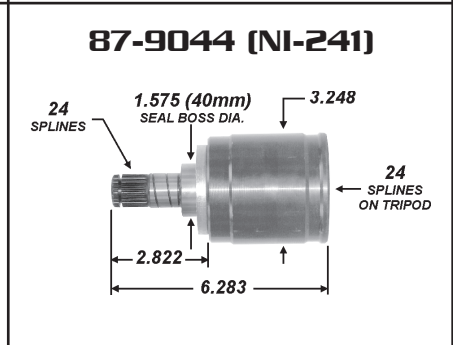
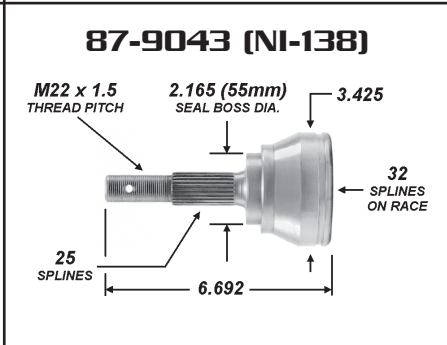
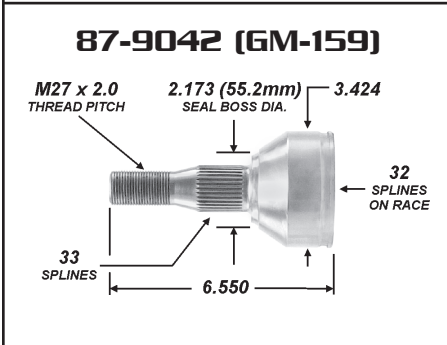
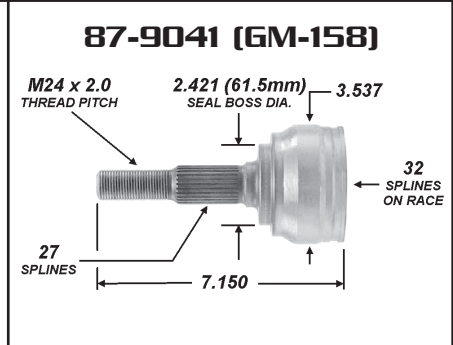
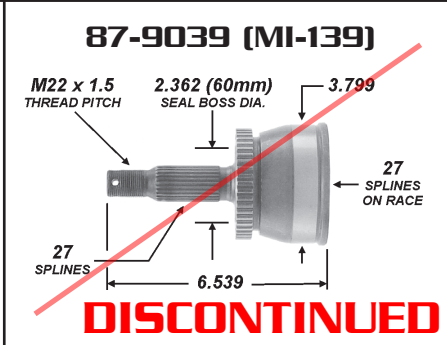
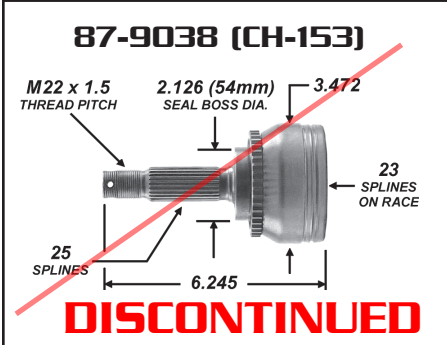


C.V. JOINT ILLUSTRATIONS



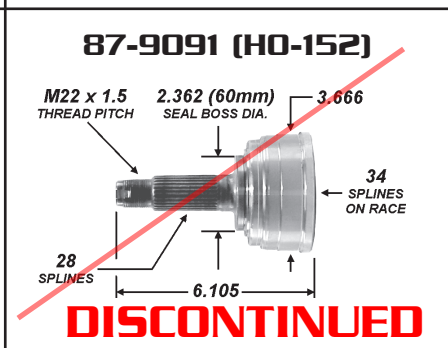
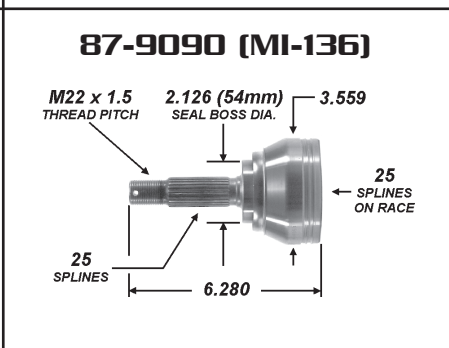
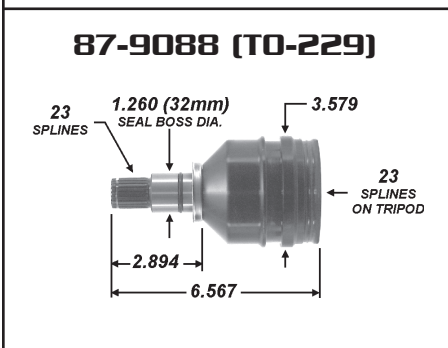
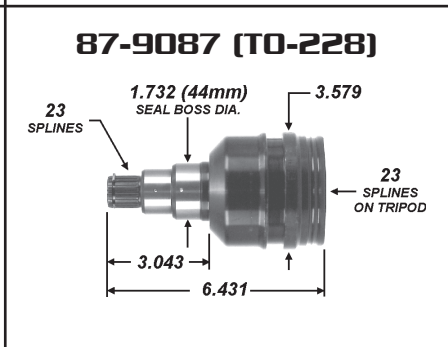
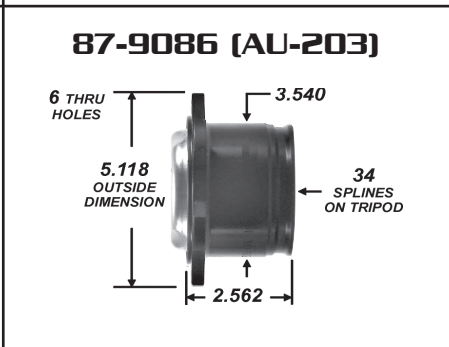
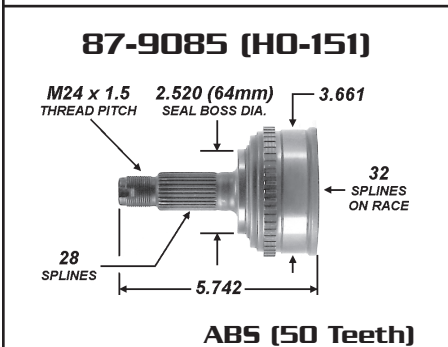
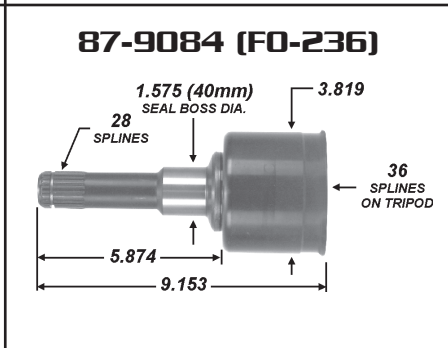
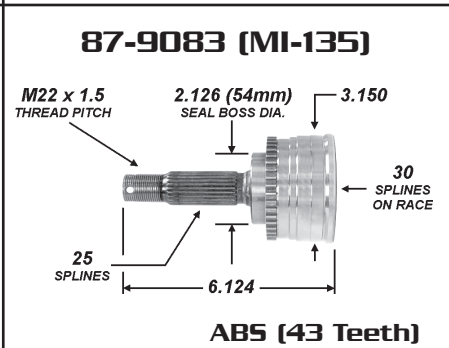
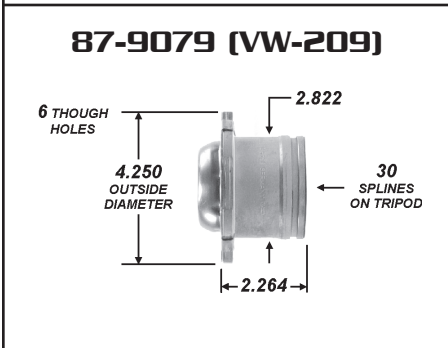
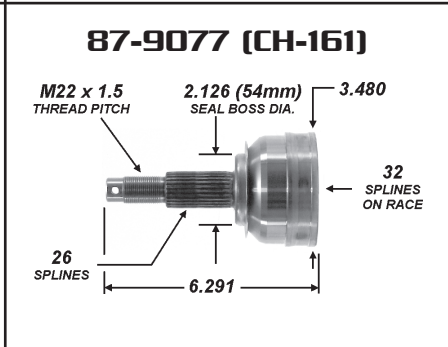
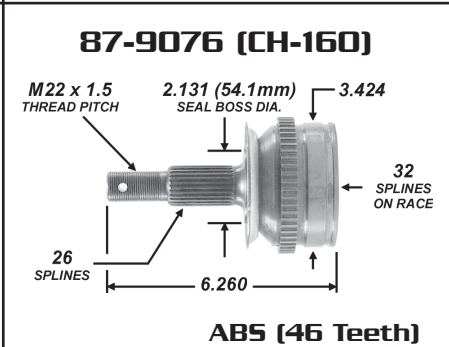
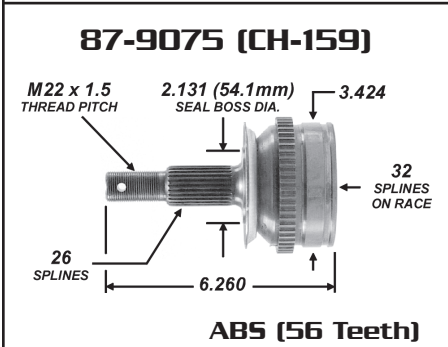
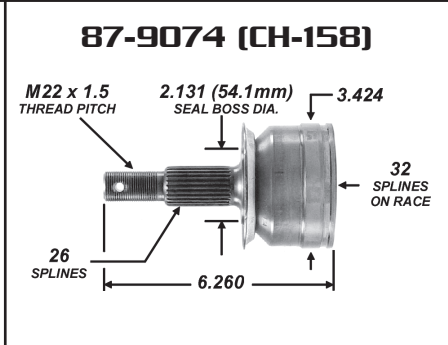
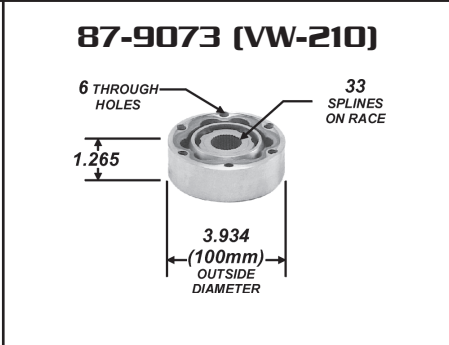
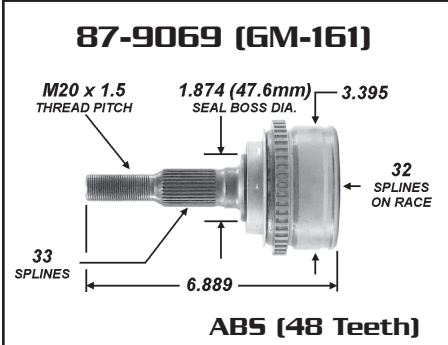


C.V. JOINT ILLUSTRATIONS





C.V. JOINT ILLUSTRATIONS





C.V. JOINT ILLUSTRATIONS

<p style="text-align: center;">87-9095 (IZ-205)</p>	<p style="text-align: center;">87-9096 (NI-243)</p>	<p style="text-align: center;">87-9097 (FO-237)</p>
<p style="text-align: center;">87-9098 (MI-215)</p>	<p style="text-align: center;">87-9099 (VW-110)</p>	<p style="text-align: center;">87-9100 (VW-111)</p> <p style="text-align: right;">ABS (48 Teeth)</p>
<p style="text-align: center;">87-9102 (AM-107)</p> <p style="text-align: center;">ABS (48 Teeth)</p>	<p style="text-align: center;">87-9104 (NI-245)</p> <p style="text-align: center;">Bearing / Flange</p>	<p style="text-align: center;">87-9105 (FO-146)</p>
<p style="text-align: center;">87-9106 (FO-147)</p>	<p style="text-align: center;">87-9108 (GM-217)</p>	<p style="text-align: center;">87-9109 (GM-218)</p>
<p style="text-align: center;">87-9110 (GM-219)</p>	<p style="text-align: center;">87-9112 (GM-221)</p>	<p style="text-align: center;">87-9113 (GM-222)</p>

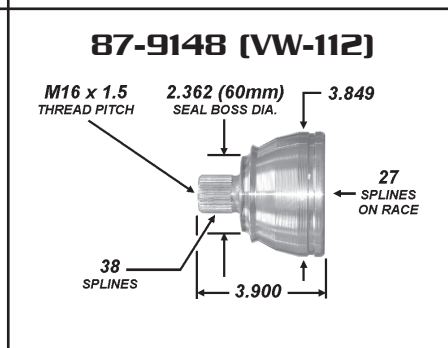
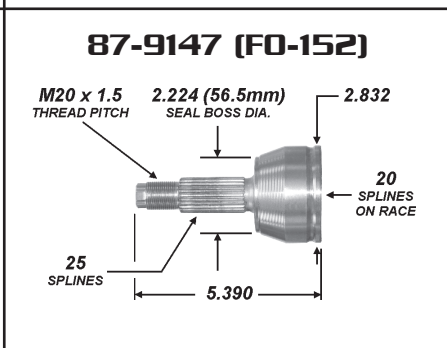
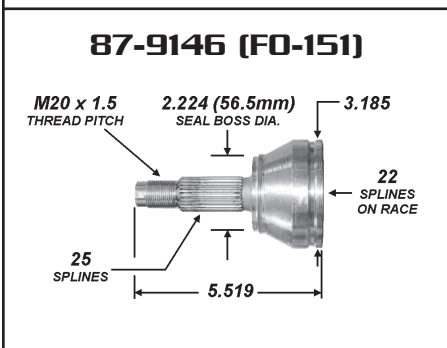
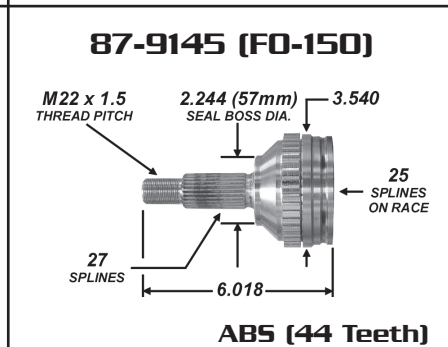
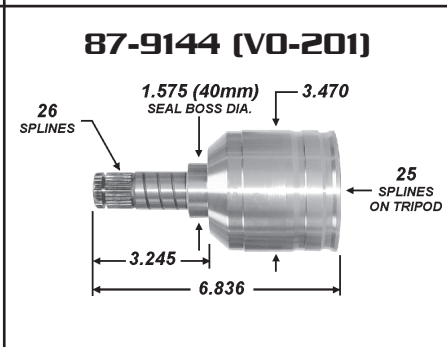
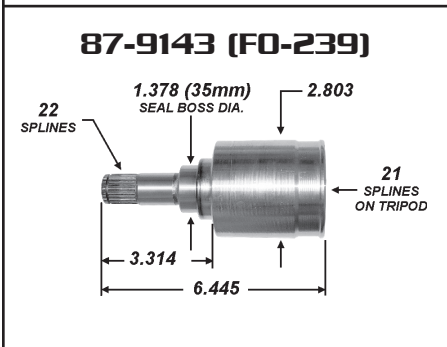
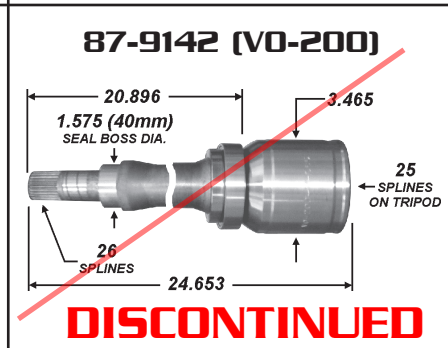
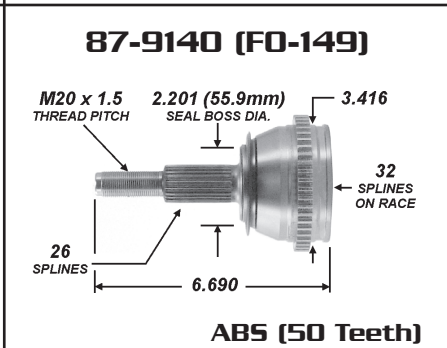
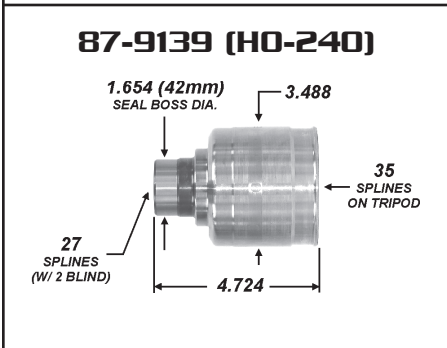
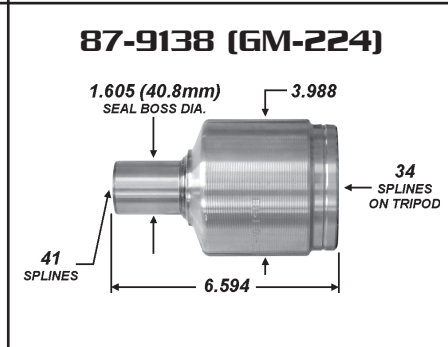
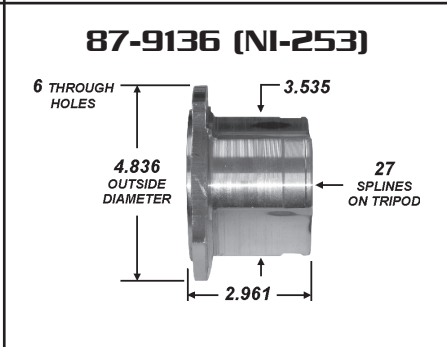
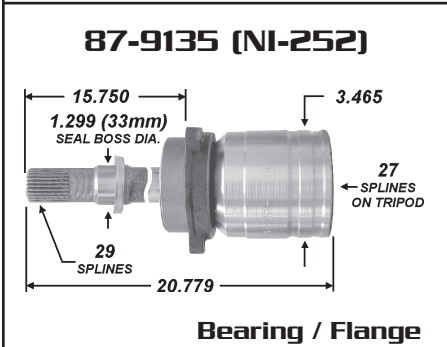
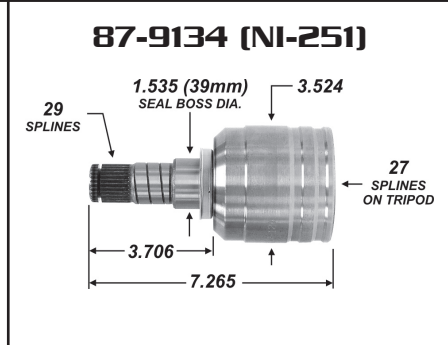
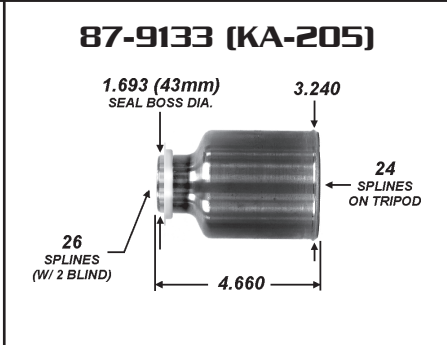
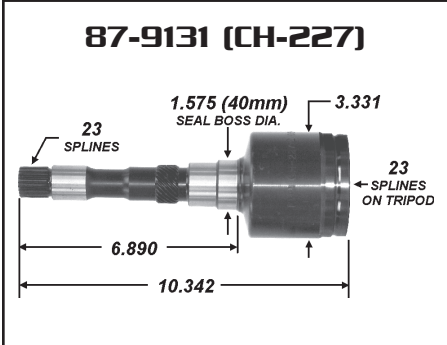


C.V. JOINT ILLUSTRATIONS

<p style="text-align: center;">87-9114 (NI-246)</p>	<p style="text-align: center;">87-9116 (CH-164)</p>	<p style="text-align: center;">87-9117 (CH-165)</p> <p style="text-align: center;">ABS (46 Teeth)</p>
<p style="text-align: center;">87-9118 (HY-111)</p> <p style="text-align: center;">ABS (44 Teeth)</p>	<p style="text-align: center;">87-9119 (CH-224)</p>	<p style="text-align: center;">87-9120 (GM-223)</p>
<p style="text-align: center;">87-9121 (NI-247)</p>	<p style="text-align: center;">87-9122 (NI-248)</p> <p style="text-align: center; color: red; font-weight: bold; font-size: 1.2em;">DISCONTINUED</p>	<p style="text-align: center;">87-9123 (NI-249)</p>
<p style="text-align: center;">87-9124 (NI-250)</p>	<p style="text-align: center;">87-9125 (CH-225)</p>	<p style="text-align: center;">87-9126 (NI-141)</p>
<p style="text-align: center;">87-9127 (NI-142)</p> <p style="text-align: center;">ABS (26 Teeth)</p>	<p style="text-align: center;">87-9128 (FO-238)</p>	<p style="text-align: center;">87-9129 (CH-226)</p>



C.V. JOINT ILLUSTRATIONS





C.V. JOINT ILLUSTRATIONS

<p style="text-align: center;">87-9149 (VW-211)</p> <p style="text-align: center;">ABS (29 Teeth)</p>	<p style="text-align: center;">87-9150 (GM-162)</p> <p style="text-align: center;">ABS (29 Teeth)</p>	<p style="text-align: center;">87-9151 (GM-163)</p> <p style="text-align: center;">ABS (29 Teeth)</p>
<p style="text-align: center;">87-9152 (GM-164)</p> <p style="text-align: center;">ABS (29 Teeth)</p>	<p style="text-align: center;">87-9153 (GM-165)</p> <p style="text-align: center;">ABS (29 Teeth)</p>	<p style="text-align: center;">87-9154 (GM-226)</p> <p style="text-align: center; color: red; font-weight: bold; font-size: 1.5em;">DISCONTINUED</p>
<p style="text-align: center;">87-9156 (SU-115)</p> <p style="text-align: center;">ABS (44 Teeth)</p>	<p style="text-align: center;">87-9157 (NI-254)</p> <p style="text-align: center;">Bearing / Flange</p>	<p style="text-align: center;">87-9158 (TO-165)</p> <p style="text-align: center;">ABS (44 Teeth)</p>
<p style="text-align: center;">87-9159 (TO-230)</p> <p style="text-align: center;">ABS (44 Teeth)</p>	<p style="text-align: center;">87-9161 (AM-108)</p> <p style="text-align: center;">ABS (44 Teeth)</p>	<p style="text-align: center;">87-9162 (AM-200)</p> <p style="text-align: center;">ABS (44 Teeth)</p>
<p style="text-align: center;">87-9301 (MI-120)</p> <p style="text-align: center;">ABS (44 Teeth)</p>	<p style="text-align: center;">87-9302 (MI-121)</p> <p style="text-align: center; color: red; font-weight: bold; font-size: 1.5em;">DISCONTINUED</p>	<p style="text-align: center;">87-9303 (MA-120)</p> <p style="text-align: center;">ABS (44 Teeth)</p>



C.V. JOINT ILLUSTRATIONS

87-9305 (MA-122)

DISCONTINUED

87-9306 (MA-123)

87-9308 (TO-123)

87-9309 (TO-124)

87-9310 (TO-125)

87-9313 (NI-128)

87-9314 (TO-128)

87-9315 (NI-129)

ABS (44 Teeth)

87-9316 (MI-122)

87-9317 (GM-133)

ABS (48 Teeth)

87-9318 (GM-134)

ABS (47 Teeth)

87-9319 (NI-211)

87-9320 (NI-212)

DISCONTINUED

87-9323 (GM-135)

ABS (47 Teeth)

87-9324 (AM-104)

ABS (54 Teeth)



C.V. JOINT ILLUSTRATIONS

87-9325 (MA-126)

DISCONTINUED

87-9326 (NI-130)

87-9328 (NI-217)

Double Spline

87-9330 (NI-219)

Bearing / Flange

87-9331 (TO-213)

87-9334 (NI-131)

ABS (42 Teeth)

87-9335 (NI-221)

DISCONTINUED

87-9341 (NI-226)

Bearing / Flange

87-9344 (MA-128)

87-9345 (TO-214)

87-9349 (TO-215)

87-9350 (TO-216)

DISCONTINUED

87-9352 (CH-123)

ABS (47 Teeth)

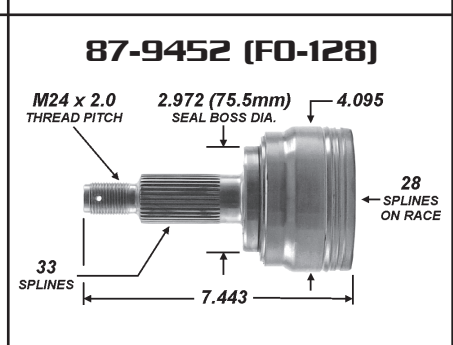
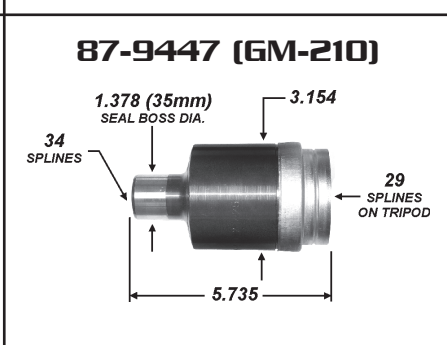
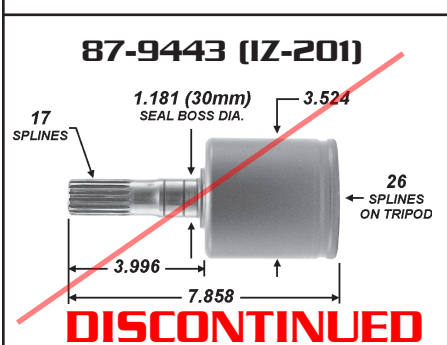
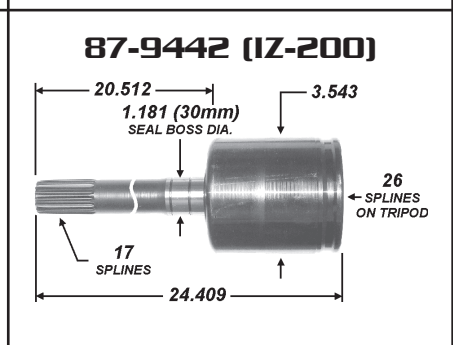
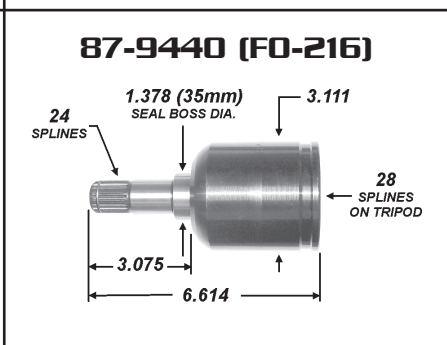
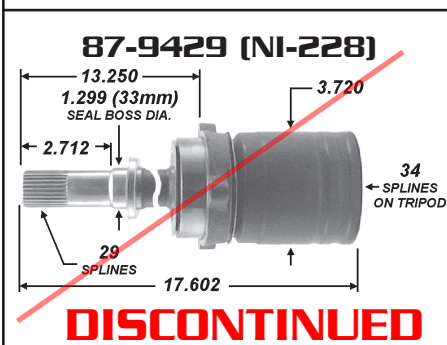
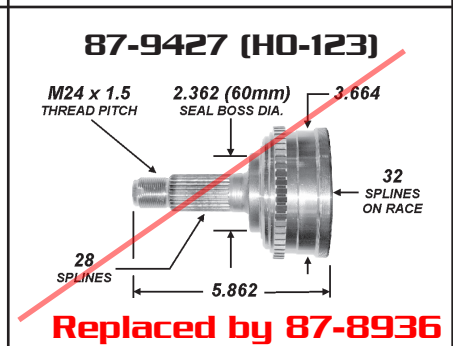
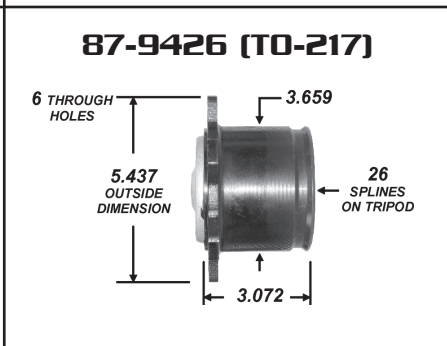
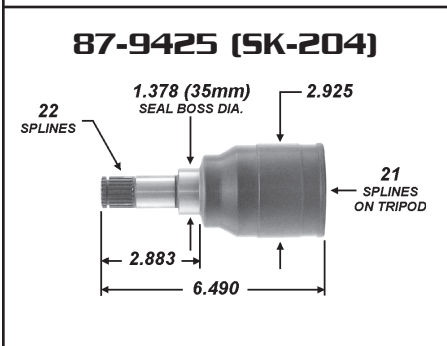
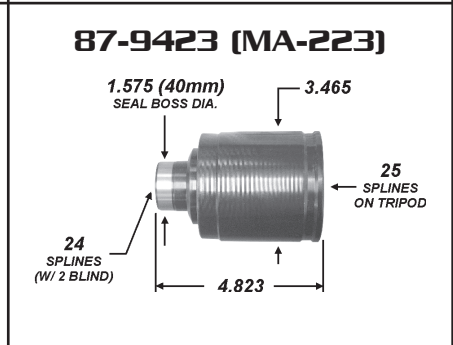
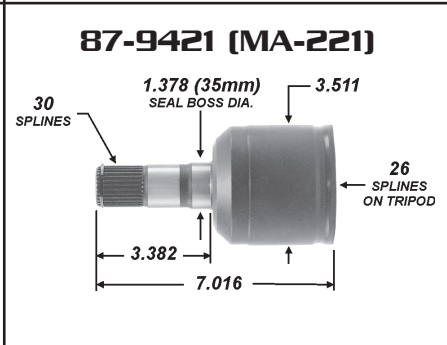
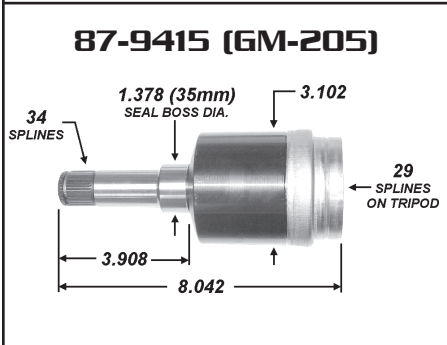
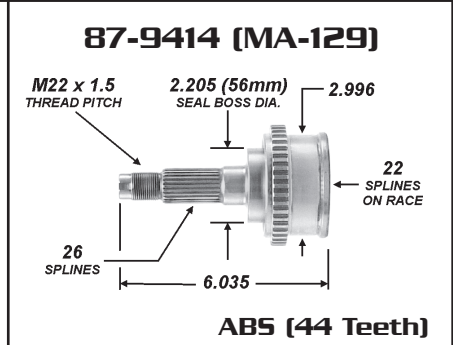
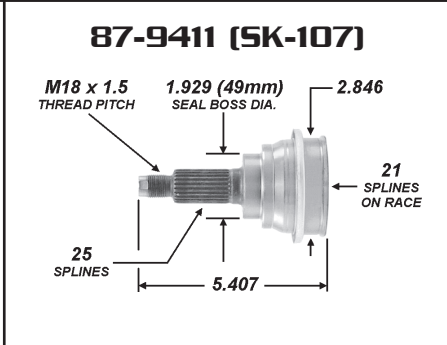
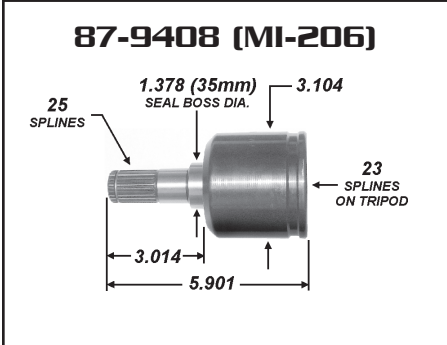
87-9403 (MI-124)

87-9407 (GM-137)

ABS (55 Teeth)



C.V. JOINT ILLUSTRATIONS





C.V. JOINT ILLUSTRATIONS

<p style="text-align: center;">87-9453 (FO-225)</p>	<p style="text-align: center;">87-9460 (HO-230)</p> <p style="text-align: center; color: red; font-weight: bold; font-size: 1.2em;">DISCONTINUED</p>	<p style="text-align: center;">87-9461 (CH-216)</p>
<p style="text-align: center;">87-9462 (CH-215)</p>	<p style="text-align: center;">87-9464 (FO-226)</p>	<p style="text-align: center;">87-9465 (FO-227)</p>
<p style="text-align: center;">87-9477 (HO-129)</p> <p style="text-align: center; color: red; font-weight: bold; font-size: 1.2em;">Replaced by 87-9848</p>	<p style="text-align: center;">87-9478 (HO-130)</p> <p style="text-align: center;">AB5 (50 Teeth)</p>	<p style="text-align: center;">87-9488 (IZ-106)</p>
<p style="text-align: center;">87-9491 (CH-124)</p> <p style="text-align: center;">AB5 (46 Teeth)</p>	<p style="text-align: center;">87-9496 (SK-108)</p>	<p style="text-align: center;">87-9505 (AU-111)</p> <p style="text-align: center;">AB5 (45 Teeth)</p>
<p style="text-align: center;">87-9506 (AU-112)</p> <p style="text-align: center;">AB5 (45 Teeth)</p>	<p style="text-align: center;">87-9508 (AU-200)</p>	<p style="text-align: center;">87-9510 (TO-108)</p>



C.V. JOINT ILLUSTRATIONS

87-9512 (FO-110)

M20 x 1.5
THREAD PITCH

2.008 (51mm)
SEAL BOSS DIA.

3.231

26 SPLINES

28 SPLINES ON RACE

6.476

87-9513 (HO-214)

25 SPLINES

1.378 (35mm)
SEAL BOSS DIA.

2.854

27 SPLINES ON TRIPOD

2.650

5.748

DISCONTINUED

87-9514 (MA-208)

1.693 (43mm)
SEAL BOSS DIA.

3.250

23 SPLINES ON TRIPOD

26 SPLINES (W/ 2 BLIND)

4.690

DISCONTINUED

87-9515 (MA-209)

28 SPLINES

1.378 (35mm)
SEAL BOSS DIA.

3.245

23 SPLINES ON TRIPOD

3.205

6.758

DISCONTINUED

87-9516 (HO-215)

1.693 (43mm)
SEAL BOSS DIA.

3.626

36 SPLINES ON TRIPOD

31 SPLINES

4.961

87-9517 (HO-216)

31 SPLINES

1.654 (42mm)
SEAL BOSS DIA.

3.583

36 SPLINES ON TRIPOD

3.287

6.772

87-9518 (MA-114)

M22 x 1.5
THREAD PITCH

2.205 (56mm)
SEAL BOSS DIA.

3.382

23 SPLINES ON RACE

28 SPLINES

5.885

87-9520 (TO-202)

23 SPLINES

1.339 (34mm)
SEAL BOSS DIA.

3.445

29 SPLINES ON TRIPOD

4.055

7.638

DISCONTINUED

87-9522 (TO-203)

6 THROUGH HOLES

1.309

27 SPLINES ON RACE

4.410 (112mm)
OUTSIDE DIAMETER

87-9523 (MA-115)

M22 x 1.5
THREAD PITCH

2.205 (56mm)
SEAL BOSS DIA.

3.382

23 SPLINES ON RACE

28 SPLINES

5.885

ABS (44 Teeth)

87-9524 (NI-114)

M24 x 1.5
THREAD PITCH

2.205 (56mm)
SEAL BOSS DIA.

3.857

27 SPLINES ON RACE

29 SPLINES

6.880

87-9525 (TO-204)

6 THROUGH HOLES

1.309

32 SPLINES ON RACE

4.410 (112mm)
OUTSIDE DIAMETER

DISCONTINUED

87-9526 (TO-205)

6 THROUGH HOLES

1.309

34 SPLINES ON RACE

4.410 (112mm)
OUTSIDE DIAMETER

DISCONTINUED

87-9528 (CH-116)

M22 x 1.5
THREAD PITCH

2.126 (54mm)
SEAL BOSS DIA.

3.625

32 SPLINES ON RACE

26 SPLINES

6.173

87-9529 (CH-117)

M22 x 1.5
THREAD PITCH

2.126 (54mm)
SEAL BOSS DIA.

3.625

32 SPLINES ON RACE

26 SPLINES

6.173

ABS (56 Teeth)

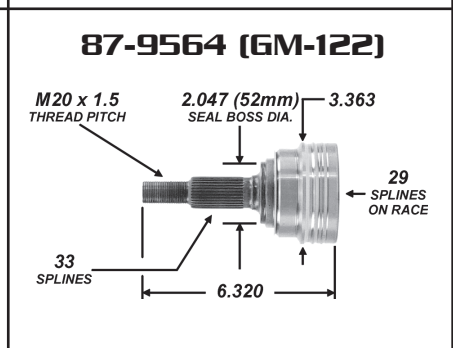
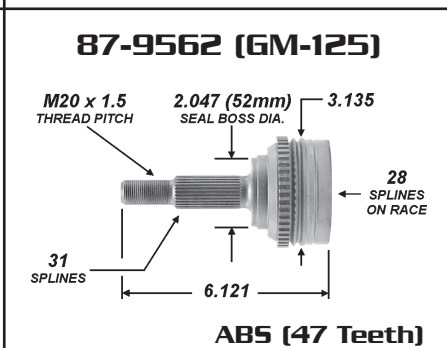
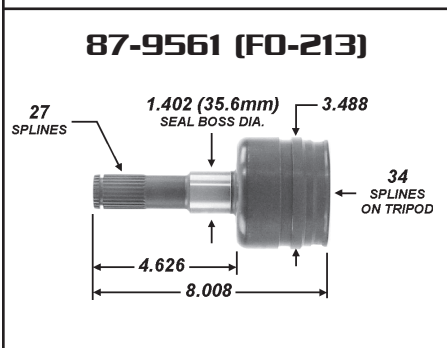
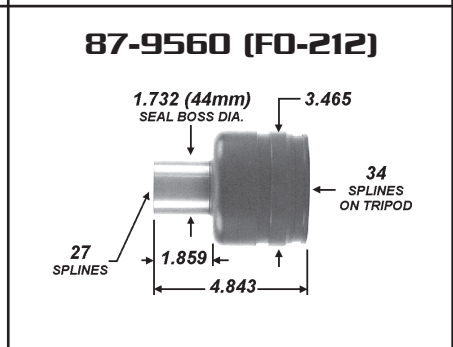
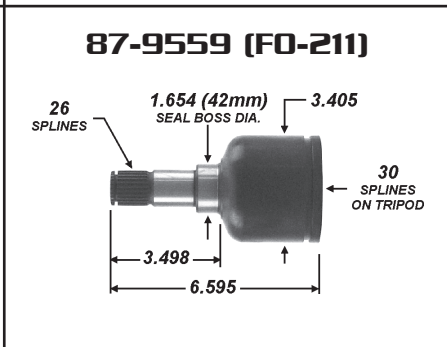
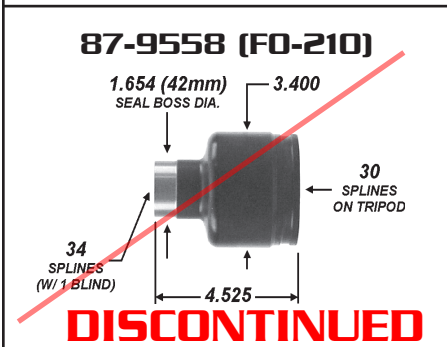
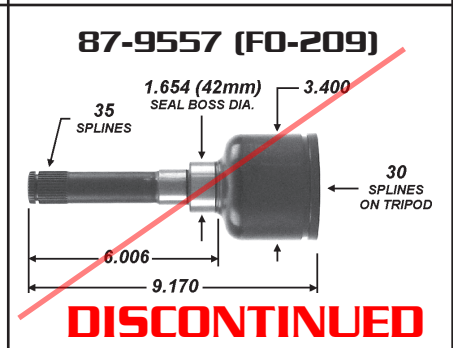
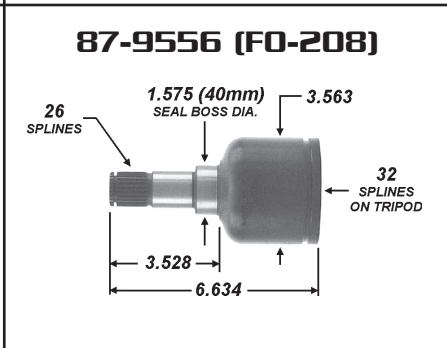
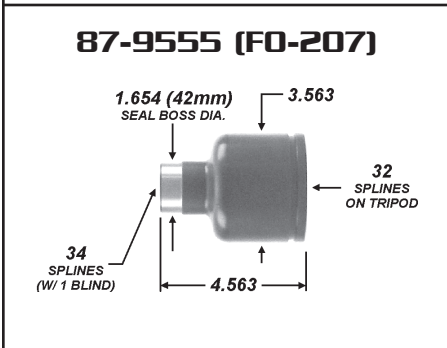
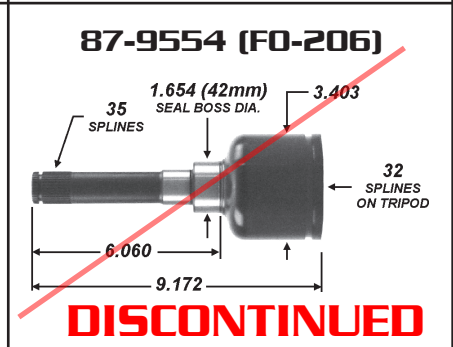
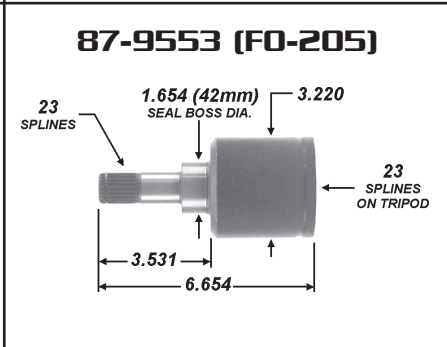
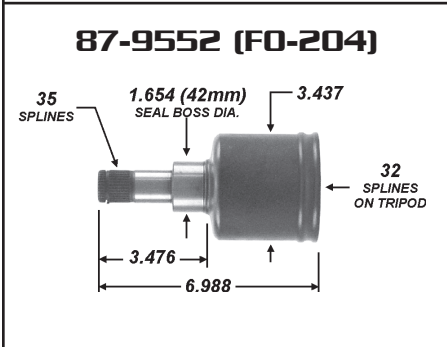
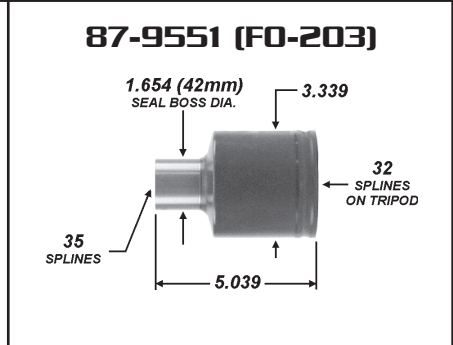
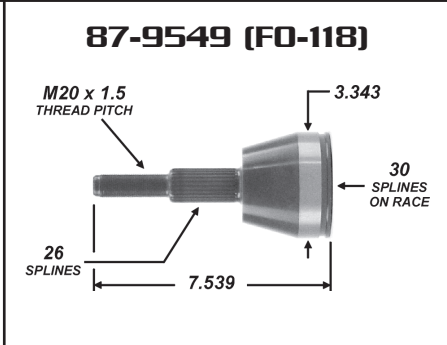
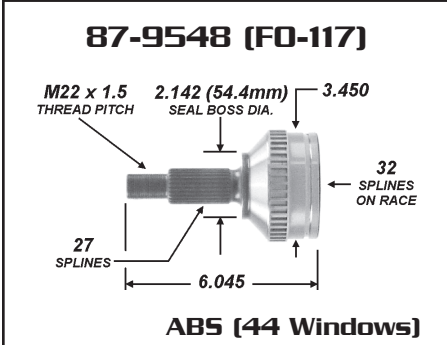


C.V. JOINT ILLUSTRATIONS

<p style="text-align: center;">87-9530 (CH-118)</p>	<p style="text-align: center;">87-9531 (CH-119)</p> <p style="text-align: center;">ABS (56 Teeth)</p>	<p style="text-align: center;">87-9532 (AM-102)</p> <p style="text-align: center; color: red; font-weight: bold; font-size: 1.2em;">Replaced by 87-9324</p>
<p style="text-align: center;">87-9533 (AM-103)</p> <p style="text-align: center;">ABS (48 Teeth)</p>	<p style="text-align: center;">87-9534 (CH-208)</p>	<p style="text-align: center;">87-9535 (CH-209)</p>
<p style="text-align: center;">87-9536 (CH-210)</p>	<p style="text-align: center;">87-9537 (CH-211)</p>	<p style="text-align: center;">87-9538 (CH-212)</p> <p style="text-align: center; color: red; font-weight: bold; font-size: 1.2em;">DISCONTINUED</p>
<p style="text-align: center;">87-9539 (CH-213)</p> <p style="text-align: center; color: red; font-weight: bold; font-size: 1.2em;">DISCONTINUED</p>	<p style="text-align: center;">87-9543 (FO-112)</p> <p style="text-align: center;">ABS (50 Teeth)</p>	<p style="text-align: center;">87-9544 (FO-113)</p>
<p style="text-align: center;">87-9545 (FO-114)</p> <p style="text-align: center;">ABS (44 Teeth)</p>	<p style="text-align: center;">87-9546 (FO-115)</p>	<p style="text-align: center;">87-9547 (FO-116)</p>



C.V. JOINT ILLUSTRATIONS



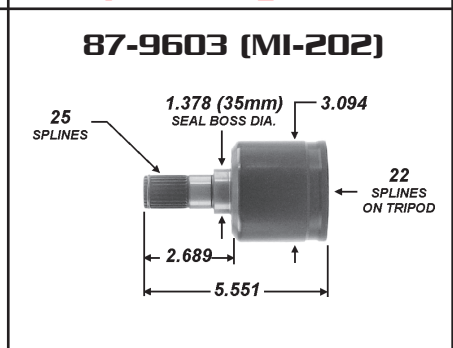
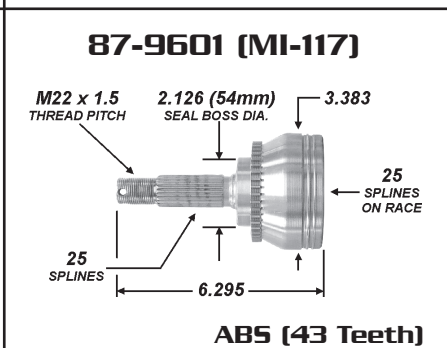
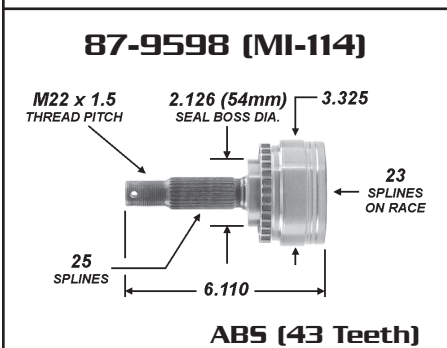
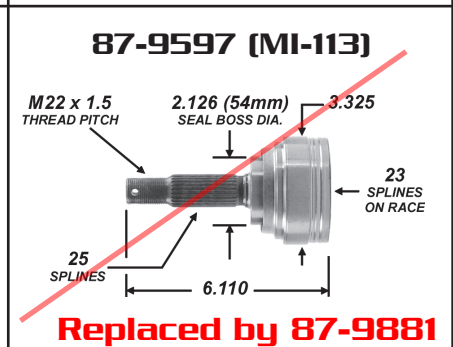
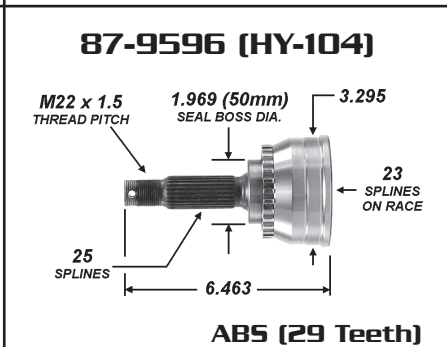
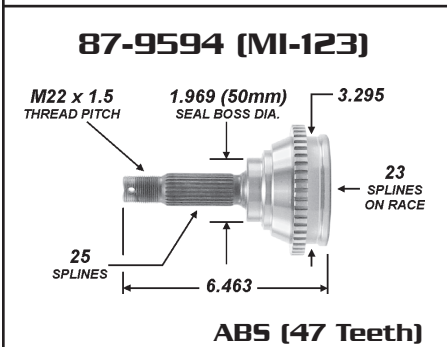
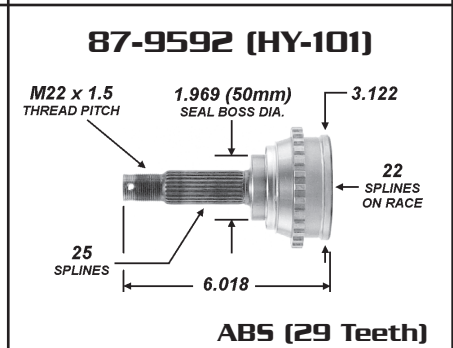
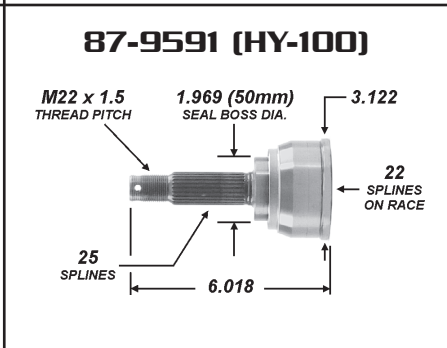
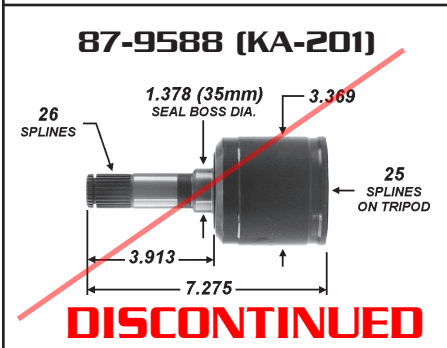
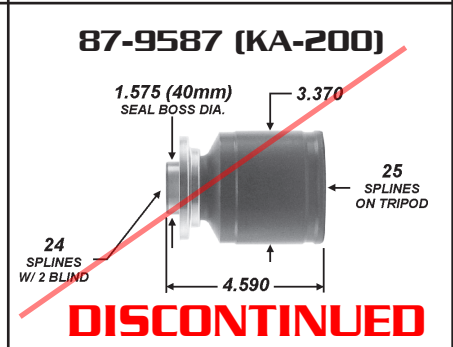
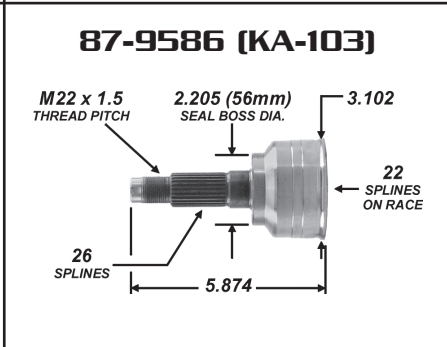
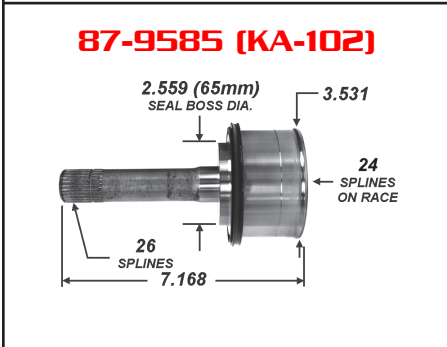
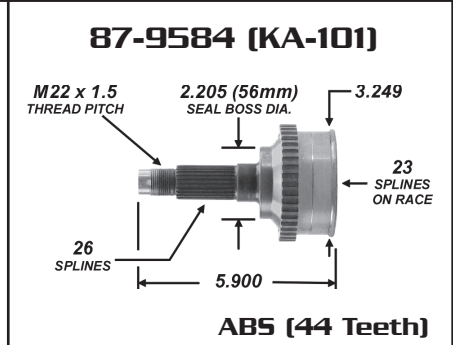
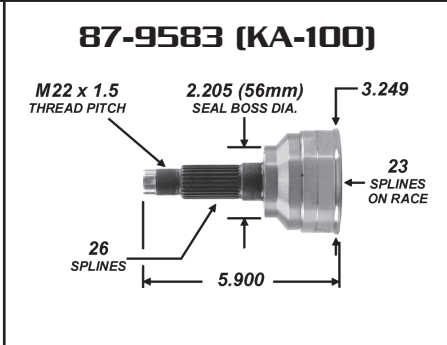
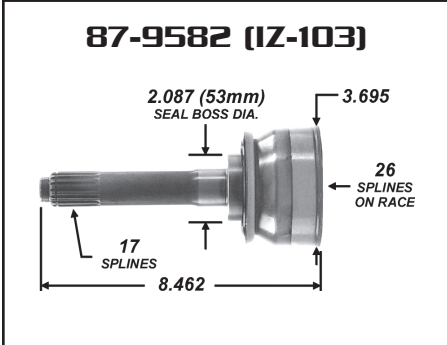


C.V. JOINT ILLUSTRATIONS

<p style="text-align: center;">87-9565 (GM-123)</p> <p style="text-align: center;">ABS (47 Teeth)</p>	<p style="text-align: center;">87-9566 (GM-124)</p> <p style="text-align: center;">ABS (55 Teeth)</p>	<p style="text-align: center;">87-9567 (GM-201)</p> <p style="text-align: center;">ABS (50 Teeth)</p>
<p style="text-align: center;">87-9568 (GM-202)</p> <p style="text-align: center;">ABS (50 Teeth)</p>	<p style="text-align: center;">87-9569 (NI-125)</p> <p style="text-align: center;">ABS (50 Teeth)</p>	<p style="text-align: center;">87-9571 (HO-116)</p> <p style="text-align: center;">ABS (50 Teeth)</p>
<p style="text-align: center;">87-9572 (HO-117)</p> <p style="text-align: center;">ABS (50 Teeth)</p>	<p style="text-align: center;">87-9573 (HO-118)</p> <p style="text-align: center;">ABS (50 Teeth)</p>	<p style="text-align: center;">87-9574 (AC-104)</p> <p style="text-align: center;">ABS (50 Teeth)</p>
<p style="text-align: center;">87-9575 (HO-217)</p> <p style="text-align: center;">ABS (50 Teeth)</p>	<p style="text-align: center;">87-9577 (HO-219)</p> <p style="text-align: center;">ABS (50 Teeth)</p>	<p style="text-align: center;">87-9578 (HO-220)</p> <p style="text-align: center;">ABS (50 Teeth)</p>
<p style="text-align: center;">87-9579 (HO-221)</p> <p style="text-align: center;">ABS (50 Teeth)</p>	<p style="text-align: center;">87-9580 (IZ-101)</p> <p style="text-align: center;">DISCONTINUED</p>	<p style="text-align: center;">87-9581 (IZ-102)</p> <p style="text-align: center;">ABS (50 Teeth)</p>



C.V. JOINT ILLUSTRATIONS





C.V. JOINT ILLUSTRATIONS

<p style="text-align: center;">87-9604 (MI-205)</p>	<p style="text-align: center;">87-9605 (MA-116)</p> <p style="text-align: center;">ABS (44 Teeth)</p>	<p style="text-align: center;">87-9606 (MA-117)</p> <p style="text-align: center;">ABS (44 Teeth)</p>
<p style="text-align: center;">87-9607 (FO-119)</p>	<p style="text-align: center;">87-9608 (FO-120)</p> <p style="text-align: center;">ABS (44 Teeth)</p>	<p style="text-align: center;">87-9609 (MA-118)</p> <p style="text-align: center;">ABS (44 Teeth)</p>
<p style="text-align: center;">87-9610 (MA-124)</p>	<p style="text-align: center;">87-9611 (MA-125)</p> <p style="text-align: center;">ABS (44 Teeth)</p>	<p style="text-align: center;">87-9612 (MA-119)</p>
<p style="text-align: center;">87-9614 (MA-211)</p>	<p style="text-align: center;">87-9615 (MA-212)</p>	<p style="text-align: center;">87-9616 (MA-213)</p>
<p style="text-align: center;">87-9617 (MA-214)</p> <p style="text-align: center; color: red; font-weight: bold; font-size: 1.2em;">DISCONTINUED</p>	<p style="text-align: center;">87-9618 (MA-215)</p> <p style="text-align: center; color: red; font-weight: bold; font-size: 1.2em;">DISCONTINUED</p>	<p style="text-align: center;">87-9619 (MA-216)</p>



C.V. JOINT ILLUSTRATIONS

<p>87-9621 (NI-115)</p> <p>ABS (42 Teeth)</p>	<p>87-9622 (NI-116)</p> <p>ABS (44 Teeth)</p>	<p>87-9623 (NI-117)</p> <p>ABS (44 Teeth)</p>
<p>87-9624 (NI-118)</p> <p>ABS (50 Teeth)</p>	<p>87-9625 (NI-119)</p> <p>ABS (50 Teeth)</p>	<p>87-9626 (NI-120)</p> <p>ABS (46 Teeth)</p>
<p>87-9627 (NI-121)</p> <p>ABS (46 Teeth)</p>	<p>87-9628 (NI-122)</p> <p>ABS (46 Teeth)</p>	<p>87-9629 (NI-123)</p> <p>ABS (46 Teeth)</p>
<p>87-9630 (NI-124)</p> <p>ABS (46 Teeth)</p>	<p>87-9631 (NI-203)</p> <p>Bearing / Flange</p>	<p>87-9632 (NI-204)</p> <p>Bearing / Flange</p>
<p>87-9633 (NI-206)</p> <p>Bearing / Flange</p>	<p>87-9634 (NI-207)</p> <p>Bearing / Flange</p>	<p>87-9637 (NI-210)</p> <p>Bearing / Flange</p>



C.V. JOINT ILLUSTRATIONS

<p>87-9638 (SU-114)</p> <p>M22 x 1.5 THREAD PITCH</p> <p>2.205 (56mm) SEAL BOSS DIA.</p> <p>3.283</p> <p>27 SPLINES</p> <p>5.697</p> <p>30 SPLINES ON RACE</p>	<p>87-9639 (SU-203)</p> <p>23 SPLINES</p> <p>3.425</p> <p>25 SPLINES ON TRIPOD</p> <p>4.488</p>	<p>87-9642 (SK-105)</p> <p>M18 x 1.5 THREAD PITCH</p> <p>1.811 (46mm) SEAL BOSS DIA.</p> <p>2.709</p> <p>23 SPLINES</p> <p>5.863</p> <p>19 SPLINES ON RACE</p> <p>ABS (42 Teeth)</p>
<p>87-9643 (TO-109)</p> <p>M22 x 1.5 THREAD PITCH</p> <p>2.205 (56mm) SEAL BOSS DIA.</p> <p>3.420</p> <p>26 SPLINES</p> <p>6.580</p> <p>32 SPLINES ON RACE</p> <p>ABS (48 Teeth)</p>	<p>87-9644 (TO-110)</p> <p>M22 x 1.5 THREAD PITCH</p> <p>2.205 (56mm) SEAL BOSS DIA.</p> <p>3.386</p> <p>26 SPLINES</p> <p>6.342</p> <p>29 SPLINES ON RACE</p> <p>ABS (48 Teeth)</p>	<p>87-9645 (TO-111)</p> <p>M22 x 1.5 THREAD PITCH</p> <p>2.205 (56mm) SEAL BOSS DIA.</p> <p>3.736</p> <p>26 SPLINES</p> <p>6.449</p> <p>27 SPLINES ON RACE</p>
<p>87-9646 (TO-112)</p> <p>M22 x 1.5 THREAD PITCH</p> <p>2.205 (56mm) SEAL BOSS DIA.</p> <p>3.043</p> <p>26 SPLINES</p> <p>6.137</p> <p>22 SPLINES ON RACE</p>	<p>87-9647 (TO-113)</p> <p>M22 x 1.5 THREAD PITCH</p> <p>2.205 (56mm) SEAL BOSS DIA.</p> <p>3.043</p> <p>26 SPLINES</p> <p>6.137</p> <p>22 SPLINES ON RACE</p> <p>ABS (48 Teeth)</p>	<p>87-9648 (TO-114)</p> <p>M22 x 1.5 THREAD PITCH</p> <p>2.205 (56mm) SEAL BOSS DIA.</p> <p>3.752</p> <p>30 SPLINES</p> <p>6.582</p> <p>27 SPLINES ON RACE</p>
<p>87-9649 (TO-115)</p> <p>M22 x 1.5 THREAD PITCH</p> <p>2.205 (56mm) SEAL BOSS DIA.</p> <p>3.752</p> <p>30 SPLINES</p> <p>6.582</p> <p>27 SPLINES ON RACE</p> <p>ABS (48 Teeth)</p>	<p>87-9650 (TO-116)</p> <p>M22 x 1.5 THREAD PITCH</p> <p>2.205 (56mm) SEAL BOSS DIA.</p> <p>3.508</p> <p>30 SPLINES</p> <p>6.230</p> <p>26 SPLINES ON RACE</p>	<p>87-9651 (TO-117)</p> <p>M22 x 1.5 THREAD PITCH</p> <p>2.205 (56mm) SEAL BOSS DIA.</p> <p>3.508</p> <p>30 SPLINES</p> <p>6.230</p> <p>26 SPLINES ON RACE</p> <p>ABS (48 Teeth)</p>
<p>87-9652 (TO-118)</p> <p>2.362 (60mm) SEAL BOSS DIA.</p> <p>3.660</p> <p>26 SPLINES</p> <p>8.970</p> <p>27 SPLINES ON RACE</p>	<p>87-9653 (TO-119)</p> <p>2.717 (69mm) SEAL BOSS DIA.</p> <p>3.710</p> <p>26 SPLINES</p> <p>7.275</p> <p>34 SPLINES ON RACE</p>	<p>87-9654 (TO-120)</p> <p>M28 x 1.5 THREAD PITCH</p> <p>2.717 (69mm) SEAL BOSS DIA.</p> <p>3.701</p> <p>30 SPLINES</p> <p>7.429</p> <p>34 SPLINES ON RACE</p>



C.V. JOINT ILLUSTRATIONS

<p style="text-align: center;">87-9655 (TO-129)</p>	<p style="text-align: center;">87-9656 (TO-130)</p> <p style="text-align: center;">ABS (48 Teeth)</p>	<p style="text-align: center;">87-9657 (TO-121)</p>
<p style="text-align: center;">87-9658 (TO-122)</p> <p style="text-align: center;">ABS (48 Teeth)</p>	<p style="text-align: center;">87-9660 (TO-207)</p>	<p style="text-align: center;">87-9661 (TO-208)</p>
<p style="text-align: center;">87-9662 (TO-209)</p> <p style="text-align: center;">Bearing</p>	<p style="text-align: center;">87-9663 (TO-210)</p> <p style="text-align: center;">Bearing</p>	<p style="text-align: center;">87-9664 (TO-211)</p>
<p style="text-align: center;">87-9665 (VO-101)</p>	<p style="text-align: center;">87-9667 (VO-103)</p>	<p style="text-align: center;">87-9668 (VO-104)</p> <p style="text-align: center;">ABS (48 Teeth)</p>
<p style="text-align: center;">87-9669 (VW-105)</p>	<p style="text-align: center;">87-9670 (MI-115)</p> <p style="text-align: center; color: red; font-weight: bold; font-size: 1.5em;">DISCONTINUED</p>	<p style="text-align: center;">87-9671 (SK-104)</p>



C.V. JOINT ILLUSTRATIONS

<p>87-9672 (TO-212)</p> <p>6 THROUGH HOLES 6.035 OUTSIDE DIAMETER 4.010 24 SPLINES ON TRIPOD 3.271</p>	<p>87-9673 (MI-203)</p> <p>1.654 (42mm) SEAL BOSS DIA. 3.495 26 SPLINES ON TRIPOD 24 SPLINES (W/ 2 BLIND) 4.640</p>	<p>87-9674 (MI-204)</p> <p>27 SPLINES 1.457 (37mm) SEAL BOSS DIA. 3.465 26 SPLINES ON TRIPOD 3.000 6.398</p>
<p>87-9675 (SK-200)</p> <p>22 SPLINES 1.378 (35mm) SEAL BOSS DIA. 2.680 19 SPLINES ON TRIPOD 2.646 5.591</p>	<p>87-9676 (GM-203)</p> <p>34 SPLINES 1.378 (35mm) SEAL BOSS DIA. 2.931 21 SPLINES ON TRIPOD 2.990 6.127</p>	<p>87-9677 (GM-204)</p> <p>34 SPLINES 1.378 (35mm) SEAL BOSS DIA. 2.972 22 SPLINES ON TRIPOD 2.795 6.264</p>
<p>87-9679 (SK-201)</p> <p>1.575 (40mm) SEAL BOSS DIA. 2.717 19 SPLINES ON TRIPOD 22 SPLINES 4.854</p>	<p>87-9680 (VW-203)</p> <p>6 THROUGH HOLES 4.885 OUTSIDE DIAMETER 3.535 34 SPLINES ON TRIPOD 2.566</p>	<p>87-9681 (GM-126)</p> <p>M20 x 1.0 THREAD PITCH 1.969 (50mm) SEAL BOSS DIA. 2.856 21 SPLINES ON RACE 22 SPLINES 5.604</p>
<p>87-9682 (GM-127)</p> <p>M20 x 1.0 THREAD PITCH 1.969 (50mm) SEAL BOSS DIA. 2.995 22 SPLINES ON RACE 22 SPLINES 5.620</p>	<p>87-9683 (CH-120)</p> <p>M22 x 1.5 THREAD PITCH 2.126 (54mm) SEAL BOSS DIA. 3.543 23 SPLINES ON RACE 26 SPLINES 6.320</p>	<p>87-9684 (CH-121)</p> <p>M22 x 1.5 THREAD PITCH 2.126 (54mm) SEAL BOSS DIA. 3.542 24 SPLINES ON RACE 26 SPLINES 6.343</p>
<p>87-9685 (GM-128)</p> <p>M20 x 1.5 THREAD PITCH 1.874 (47.6mm) SEAL BOSS DIA. 3.395 32 SPLINES ON RACE 33 SPLINES 6.889</p>	<p>87-9686 (GM-129)</p> <p>M20 x 1.5 THREAD PITCH 1.874 (47.6mm) SEAL BOSS DIA. 3.395 23 SPLINES ON RACE 33 SPLINES 6.877</p>	<p>87-9687 (GM-130)</p> <p>M20 x 1.5 THREAD PITCH 1.874 (47.6mm) SEAL BOSS DIA. 3.395 24 SPLINES ON RACE 33 SPLINES 6.878</p>

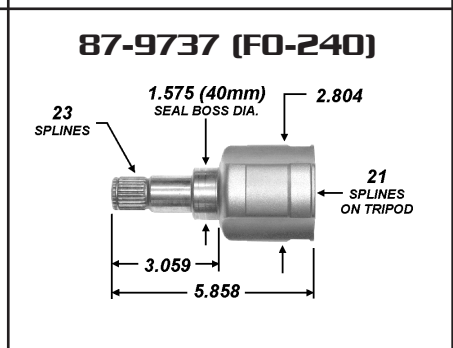
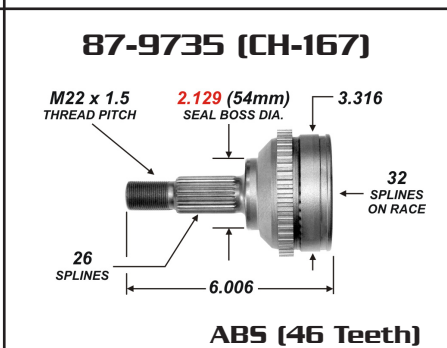
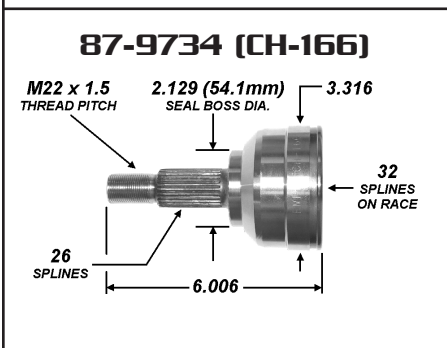
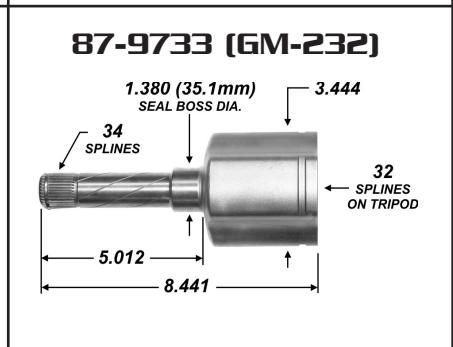
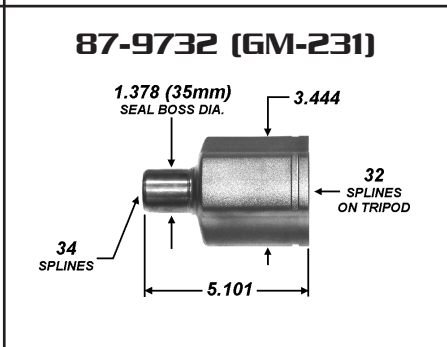
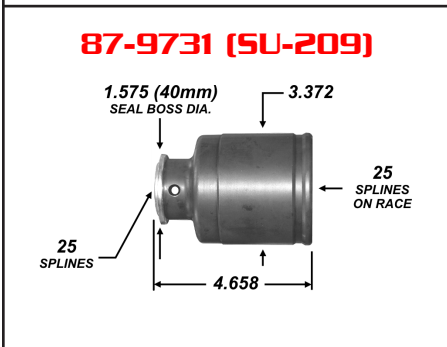
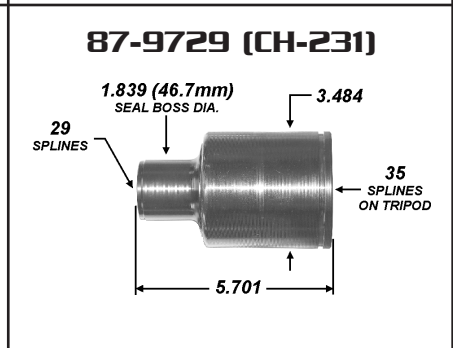
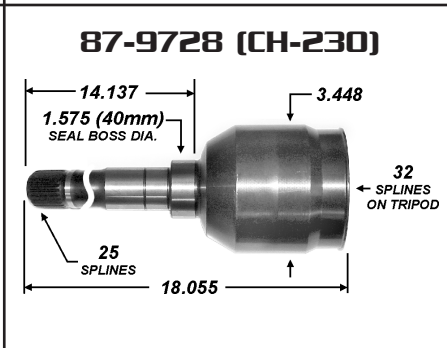
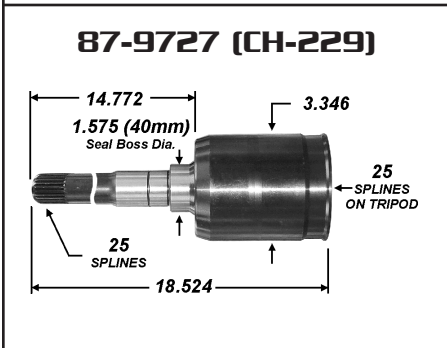
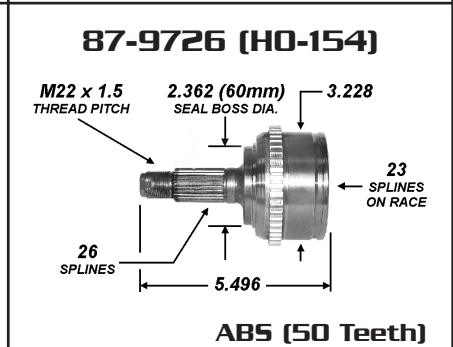
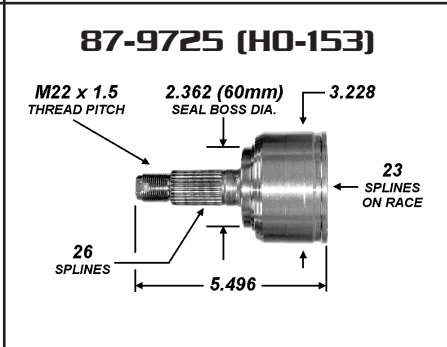
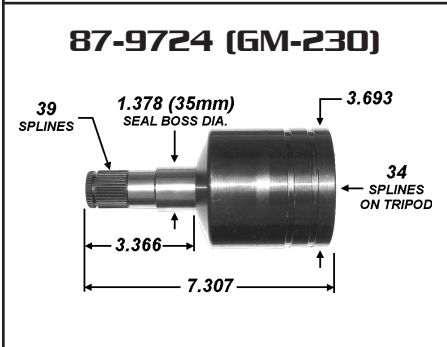
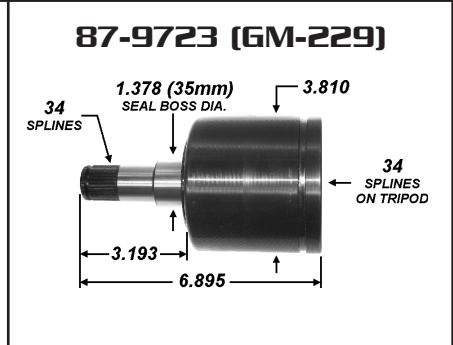
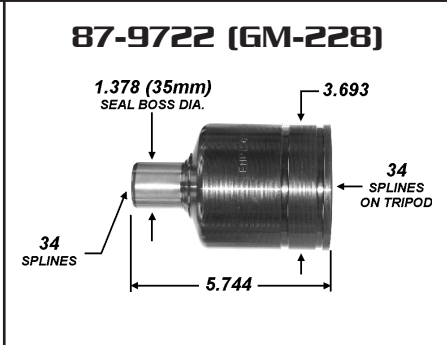
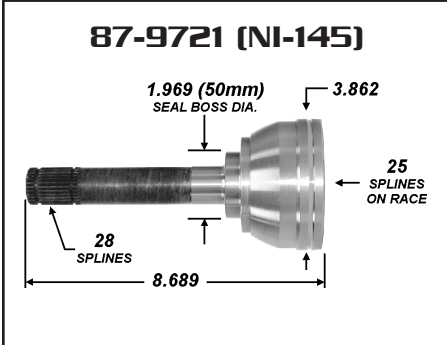


C.V. JOINT ILLUSTRATIONS

<p>87-9688 (FO-124)</p> <p>M20 x 1.5 THREAD PITCH</p> <p>2.008 (51mm) SEAL BOSS DIA.</p> <p>3.546</p> <p>23 SPLINES ON RACE</p> <p>26 SPLINES</p> <p>5.920</p>	<p>87-9689 (FO-125)</p> <p>M20 x 1.5 THREAD PITCH</p> <p>2.008 (51mm) SEAL BOSS DIA.</p> <p>3.550</p> <p>24 SPLINES ON RACE</p> <p>26 SPLINES</p> <p>5.933</p>	<p>87-9690 (NI-126)</p> <p>M22 x 1.5 THREAD PITCH</p> <p>2.165 (55mm) SEAL BOSS DIA.</p> <p>3.555</p> <p>24 SPLINES ON RACE</p> <p>25 SPLINES</p> <p>6.667</p>
<p>87-9691 (NI-127)</p> <p>M22 x 1.0 THREAD PITCH</p> <p>2.047 (52mm) SEAL BOSS DIA.</p> <p>3.193</p> <p>22 SPLINES ON RACE</p> <p>24 SPLINES</p> <p>6.291</p>	<p>87-9693 (DA-103)</p> <p>M22 x 1.5 THREAD PITCH</p> <p>1.575 (40mm) SEAL BOSS DIA.</p> <p>2.685</p> <p>19 SPLINES ON RACE</p> <p>24 SPLINES</p> <p>6.541</p>	<p>87-9696 (HO-119)</p> <p>M22 x 1.5 THREAD PITCH</p> <p>1.772 (45mm) SEAL BOSS DIA.</p> <p>3.120</p> <p>30 SPLINES ON RACE</p> <p>23 SPLINES</p> <p>5.363</p>
<p>87-9697 (HO-120)</p> <p>M22 x 1.5 THREAD PITCH</p> <p>1.772 (45mm) SEAL BOSS DIA.</p> <p>3.118</p> <p>22 SPLINES ON RACE</p> <p>23 SPLINES</p> <p>5.360</p>	<p>87-9699 (HO-122)</p> <p>M22 x 1.5 THREAD PITCH</p> <p>2.362 (60mm) SEAL BOSS DIA.</p> <p>3.666</p> <p>34 SPLINES ON RACE</p> <p>28 SPLINES</p> <p>5.746</p> <p>DISCONTINUED</p>	<p>87-9714 (TO-231)</p> <p>23 SPLINES</p> <p>1.965 (49.9mm) SEAL BOSS DIA.</p> <p>3.538</p> <p>25 SPLINES ON TRIPOD</p> <p>3.032</p> <p>6.418</p> <p>DISCONTINUED</p>
<p>87-9715 (AM-201)</p> <p>1.772 (45mm) SEAL BOSS DIA.</p> <p>3.654</p> <p>35 SPLINES ON TRIPOD</p> <p>29 SPLINES</p> <p>6.165</p>	<p>87-9716 (FO-153)</p> <p>M20 x 1.5 THREAD PITCH</p> <p>2.500 (63.5mm) SEAL BOSS DIA.</p> <p>3.713</p> <p>34 SPLINES ON RACE</p> <p>27 SPLINES</p> <p>7.035</p>	<p>87-9717 (TO-166)</p> <p>M22 x 1.5 THREAD PITCH</p> <p>2.173 (55.2mm) SEAL BOSS DIA.</p> <p>3.400</p> <p>29 SPLINES ON RACE</p> <p>26 SPLINES</p> <p>6.231</p> <p>ABS (48 Teeth)</p>
<p>87-9718 (GM-166)</p> <p>M20 x 1.0 THREAD PITCH</p> <p>2.050 (52.1mm) SEAL BOSS DIA.</p> <p>3.327</p> <p>24 SPLINES ON RACE</p> <p>33 SPLINES</p> <p>6.598</p>	<p>87-9719 (NI-143)</p> <p>M24 x 1.5 THREAD PITCH</p> <p>2.205 (56mm) SEAL BOSS DIA.</p> <p>3.728</p> <p>35 SPLINES ON RACE</p> <p>27 SPLINES</p> <p>6.758</p> <p>ABS (44 Teeth)</p>	<p>87-9720 (NI-144)</p> <p>M24 x 1.5 THREAD PITCH</p> <p>2.205 (56mm) SEAL BOSS DIA.</p> <p>3.853</p> <p>25 SPLINES ON RACE</p> <p>29 SPLINES</p> <p>6.839</p> <p>ABS (44 Teeth)</p>

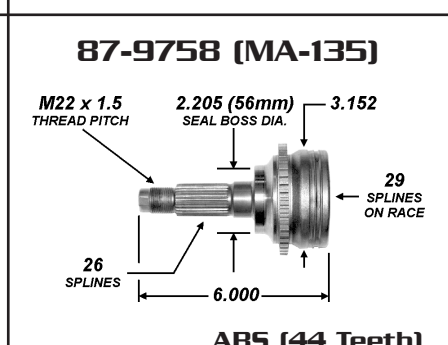
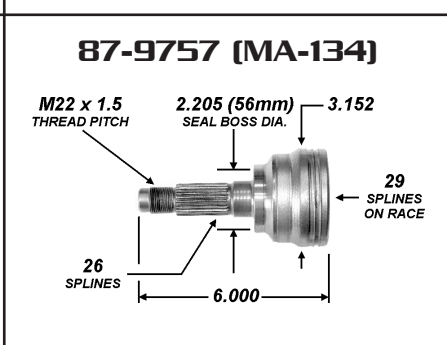
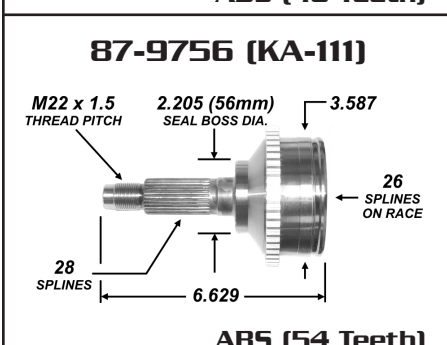
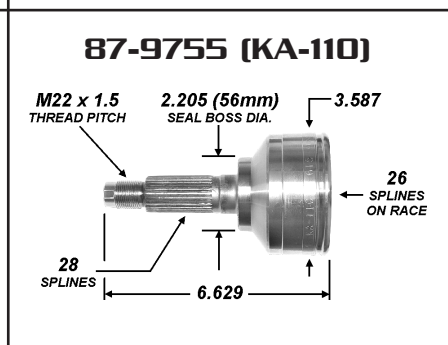
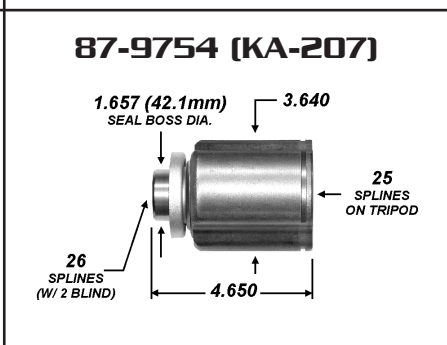
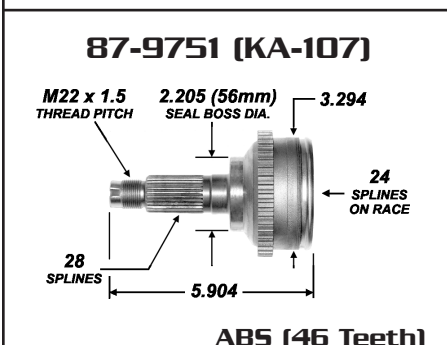
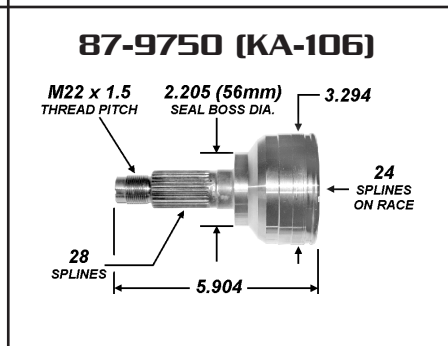
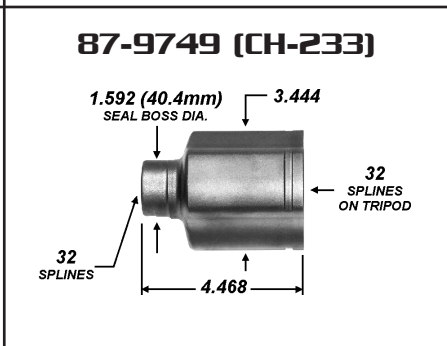
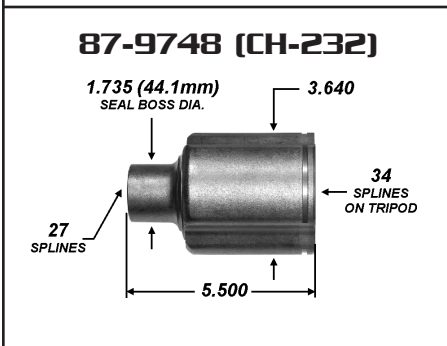
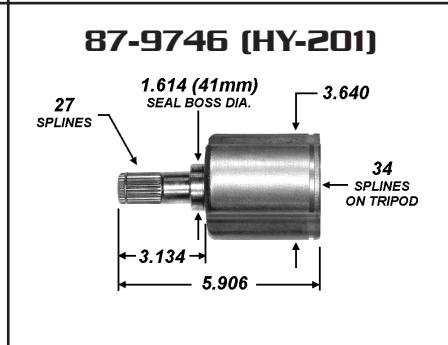
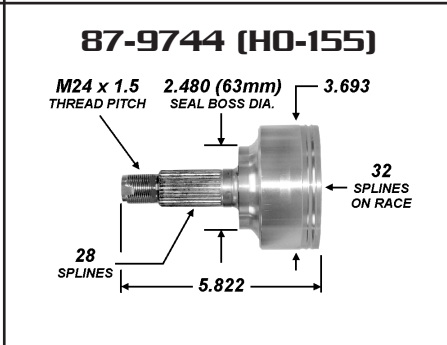
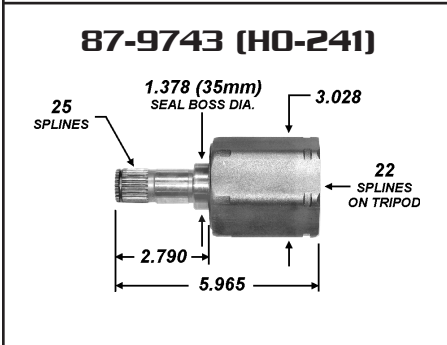
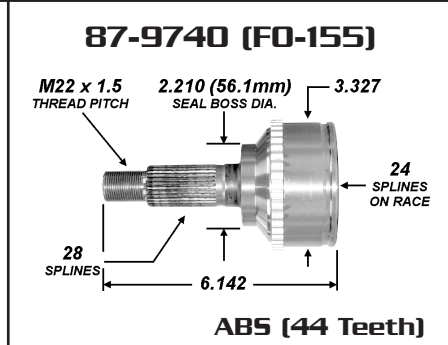
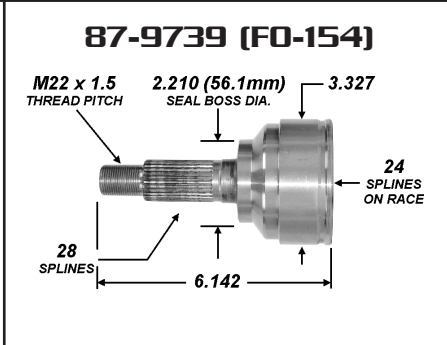
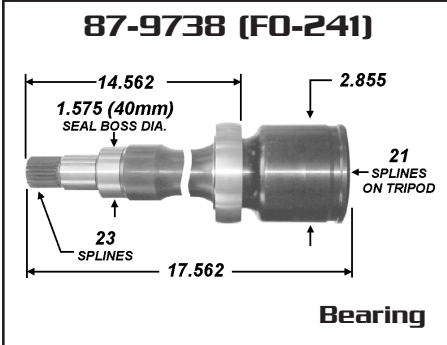


C.V. JOINT ILLUSTRATIONS





C.V. JOINT ILLUSTRATIONS



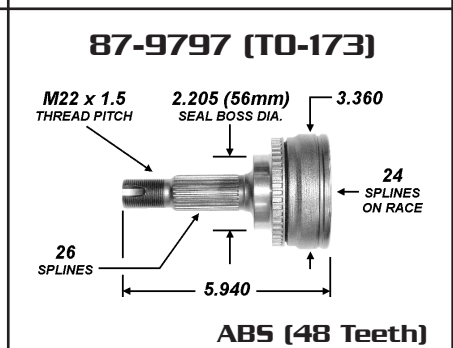
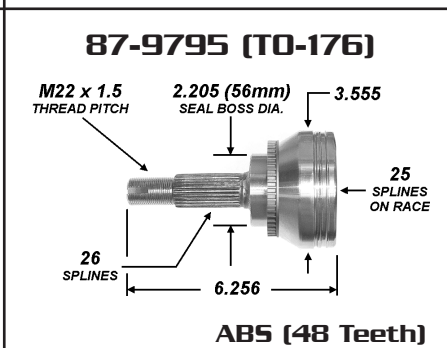
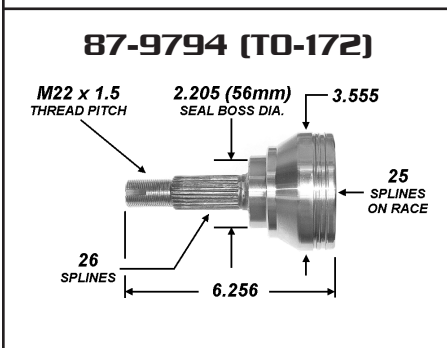
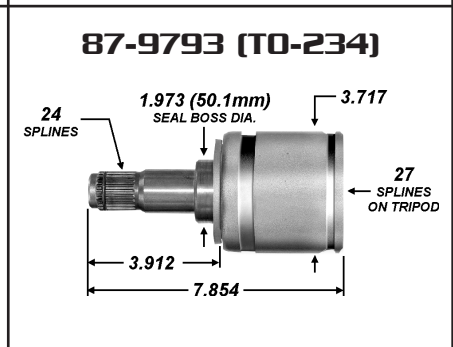
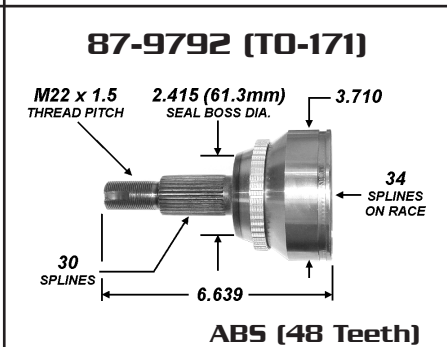
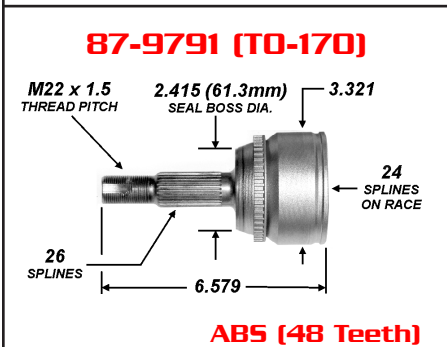
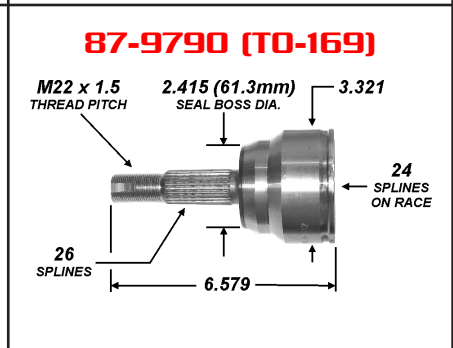
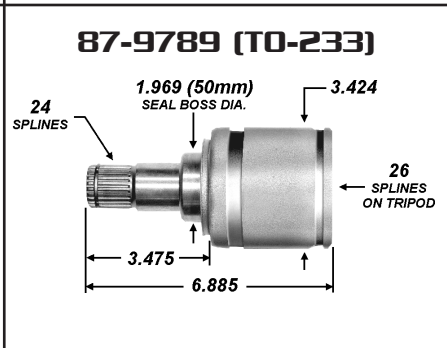
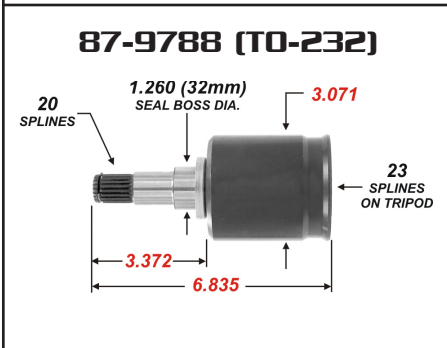
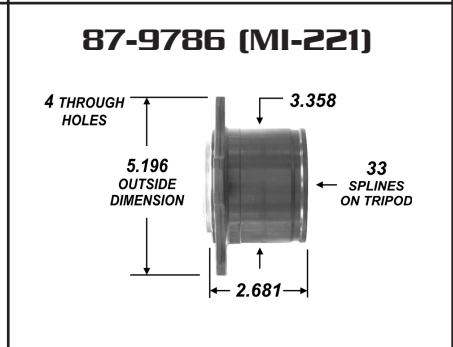
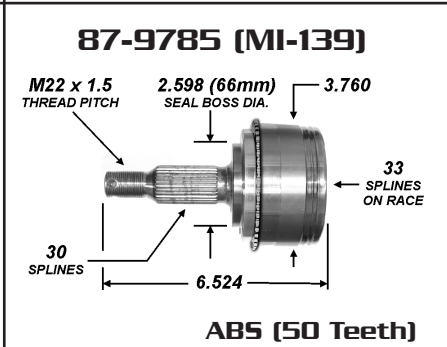
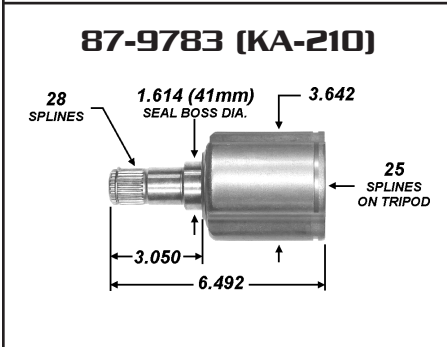
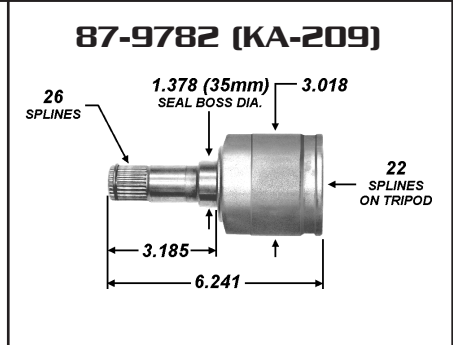
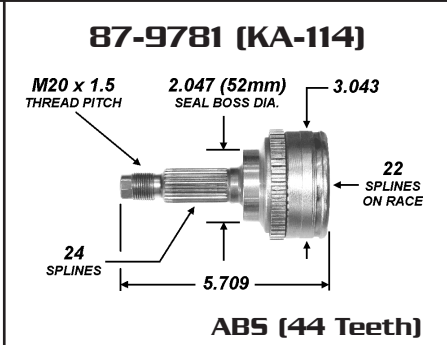
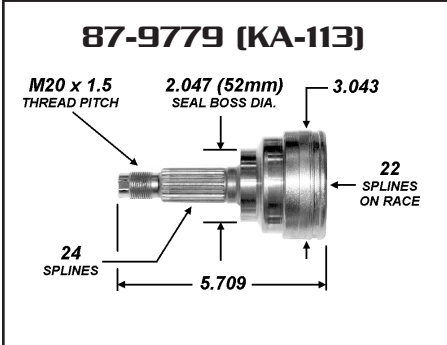


C.V. JOINT ILLUSTRATIONS

<p style="text-align: center;">87-9760 (MA-228)</p>	<p style="text-align: center;">87-9761 (MI-138)</p>	<p style="text-align: center;">87-9763 (MI-217)</p>
<p style="text-align: center;">87-9764 (MI-218)</p>	<p style="text-align: center;">87-9765 (NI-255)</p> <p style="text-align: center;">Bearing / Flange</p>	<p style="text-align: center;">87-9766 (NI-256)</p> <p style="text-align: center;">Bearing / Flange</p>
<p style="text-align: center;">87-9767 (NI-257)</p> <p style="text-align: center; color: red; font-weight: bold; font-size: 1.2em;">DISCONTINUED</p>	<p style="text-align: center;">87-9769 (NI-146)</p>	<p style="text-align: center;">87-9770 (MI-219)</p>
<p style="text-align: center;">87-9772 (SK-208)</p>	<p style="text-align: center;">87-9773 (SK-209)</p>	<p style="text-align: center;">87-9774 (SK-210)</p>
<p style="text-align: center;">87-9775 (SK-211)</p>	<p style="text-align: center;">87-9776 (TO-167)</p>	<p style="text-align: center;">87-9777 (TO-168)</p> <p style="text-align: center;">ABS (48 Teeth)</p>



C.V. JOINT ILLUSTRATIONS





C.V. JOINT ILLUSTRATIONS

<p style="text-align: center;">87-9798 (TO-174)</p> <p style="text-align: center;">ABS (48 Teeth)</p>	<p style="text-align: center;">87-9799 (TO-236)</p>	<p style="text-align: center;">87-9801 (HO-100)</p>
<p style="text-align: center;">87-9802 (NI-100)</p>	<p style="text-align: center;">87-9803 (HO-101)</p>	<p style="text-align: center;">87-9804 (NI-101)</p>
<p style="text-align: center;">87-9805 (FO-100)</p>	<p style="text-align: center;">87-9806 (VW-100)</p>	<p style="text-align: center;">87-9807 (VW-200)</p>
<p style="text-align: center;">87-9808 (TO-100)</p>	<p style="text-align: center;">87-9810 (VW-101)</p>	<p style="text-align: center;">87-9811 (VW-102)</p>
<p style="text-align: center;">87-9812 (VW-103)</p> <p style="color: red; font-weight: bold; text-align: center; margin-top: 10px;">Replaced by 87-9811</p>	<p style="text-align: center;">87-9813 (AC-100)</p>	<p style="text-align: center;">87-9814 (AC-101)</p> <p style="text-align: center;">ABS (50 Teeth)</p>



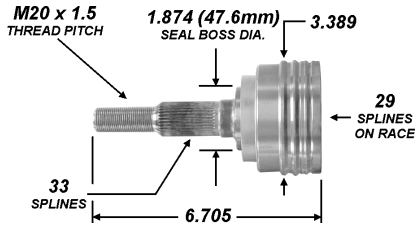
C.V. JOINT ILLUSTRATIONS

<p style="text-align: center;">87-9815 (AU-100)</p>	<p style="text-align: center;">87-9816 (AU-101)</p>	<p style="text-align: center;">87-9817 (AU-102)</p> <p style="text-align: center;">ABS (96 Teeth)</p>
<p style="text-align: center;">87-9818 (AU-103)</p>	<p style="text-align: center;">87-9819 (CH-100)</p>	<p style="text-align: center;">87-9820 (CH-101)</p>
<p style="text-align: center;">87-9821 (CH-102)</p>	<p style="text-align: center;">87-9823 (CH-104)</p> <p style="text-align: center;">Washer</p>	<p style="text-align: center;">87-9824 (CH-105)</p>
<p style="text-align: center;">87-9825 (DA-100)</p>	<p style="text-align: center;">87-9826 (DA-101)</p>	<p style="text-align: center;">87-9827 (FO-101)</p> <p style="text-align: center;">ABS (44 Teeth)</p>
<p style="text-align: center;">87-9828 (FO-102)</p>	<p style="text-align: center;">87-9829 (FO-103)</p>	<p style="text-align: center;">87-9831 (FO-201)</p> <p style="text-align: center; color: red; font-weight: bold; font-size: 1.2em;">DISCONTINUED</p>

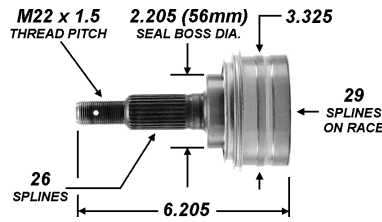


C.V. JOINT ILLUSTRATIONS

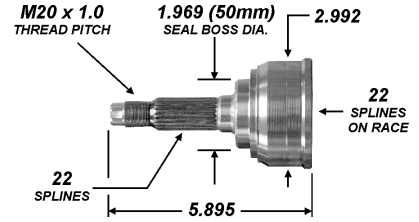
87-9832 (GM-100)



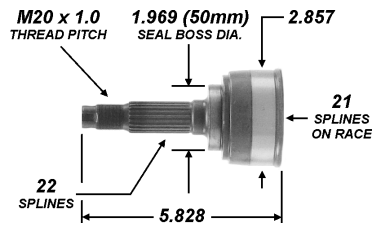
87-9833 (GM-101)



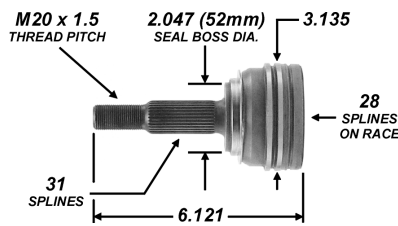
87-9834 (GM-102)



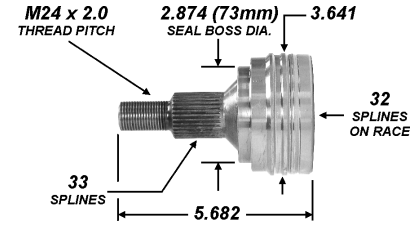
87-9835 (GM-103)



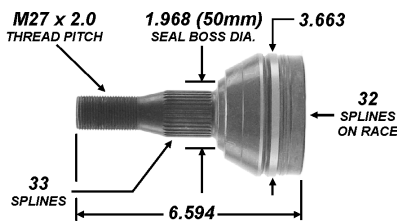
87-9836 (GM-104)



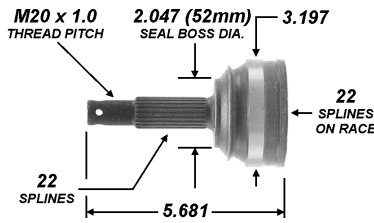
87-9837 (GM-105)



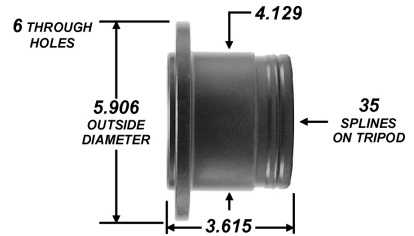
87-9838 (GM-106)



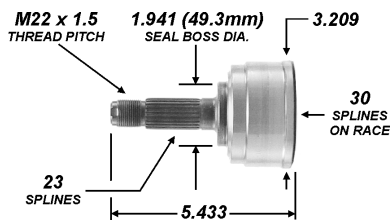
87-9839 (GM-107)



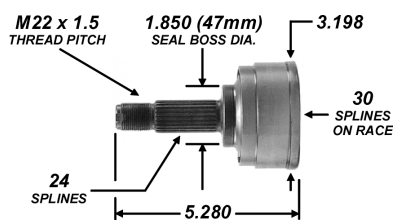
87-9840 (GM-200)



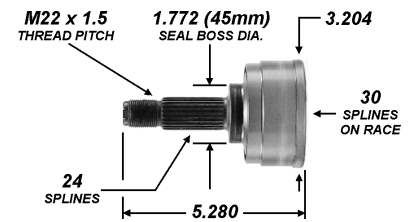
87-9841 (HO-102)



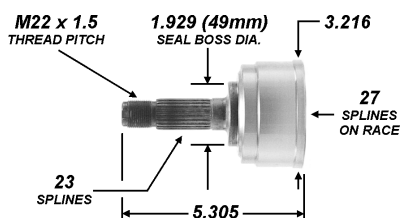
87-9842 (HO-103)



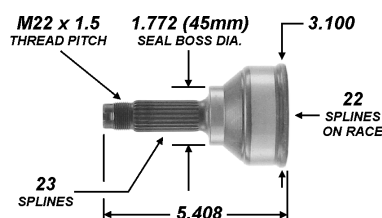
87-9843 (HO-104)



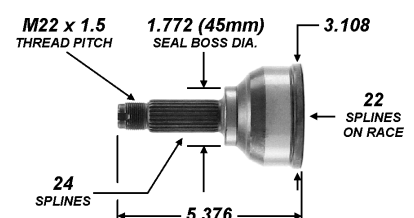
87-9844 (HO-105)



87-9845 (HO-106)

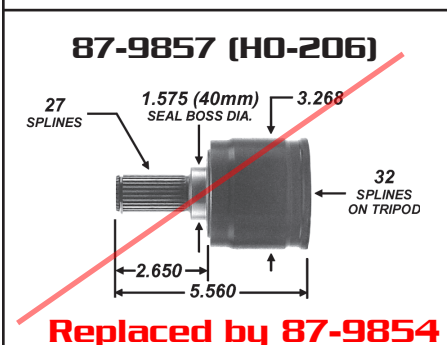
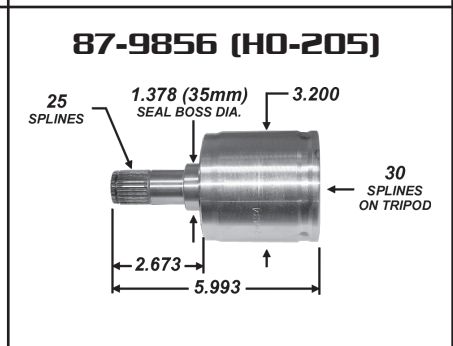
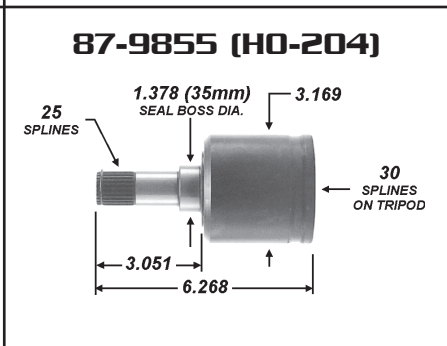
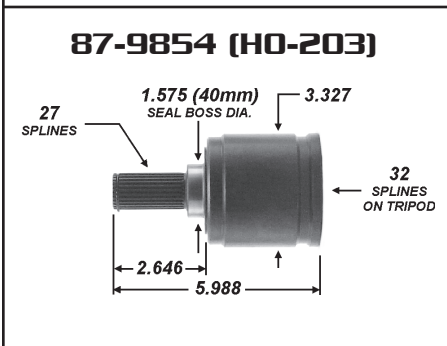
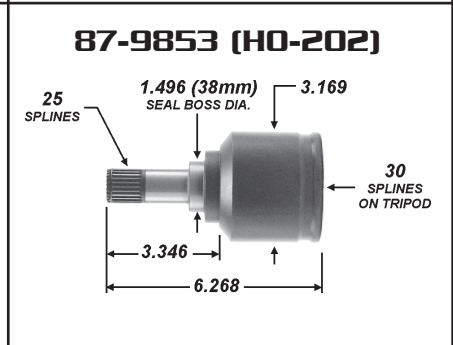
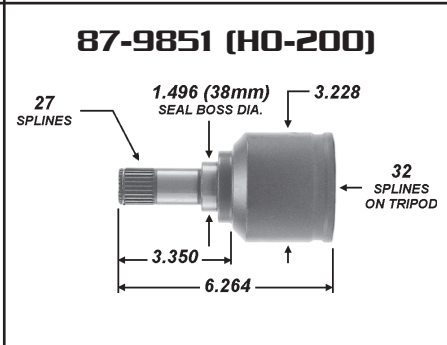
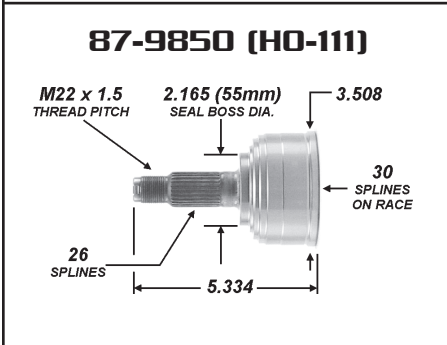
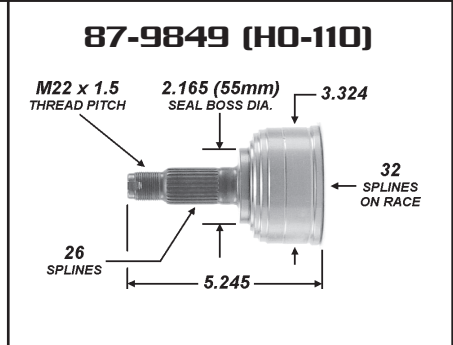
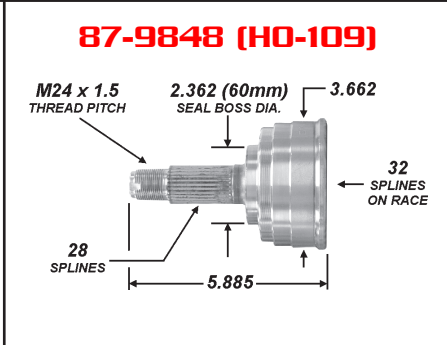
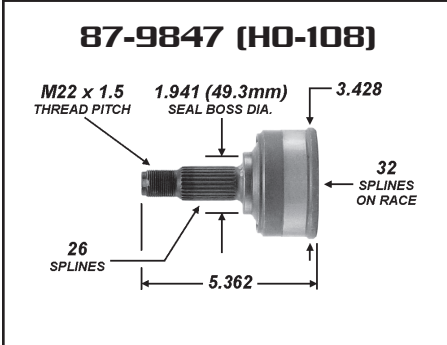


87-9846 (HO-107)

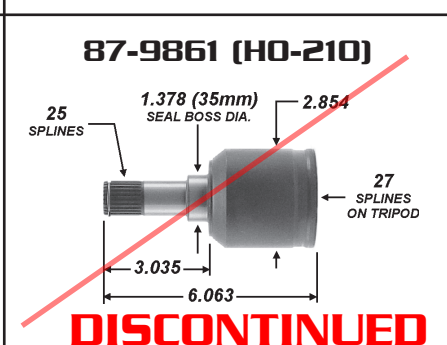
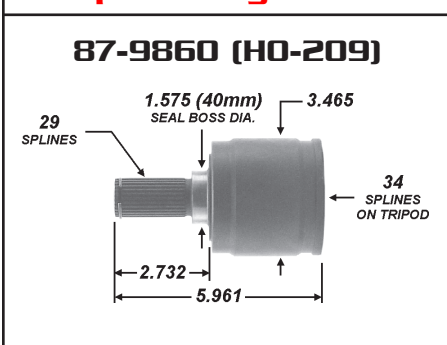
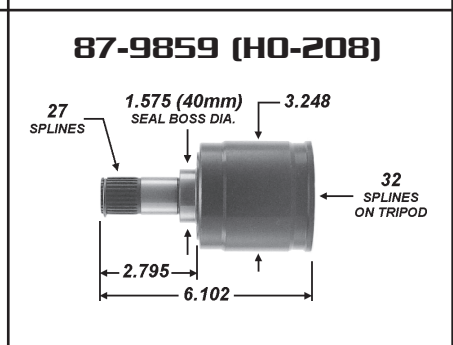
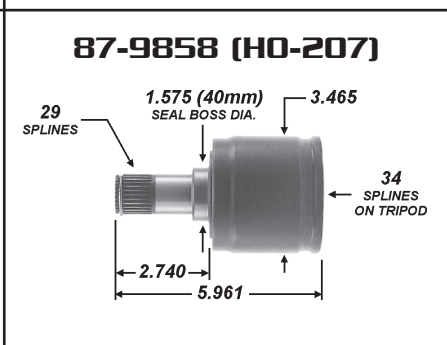




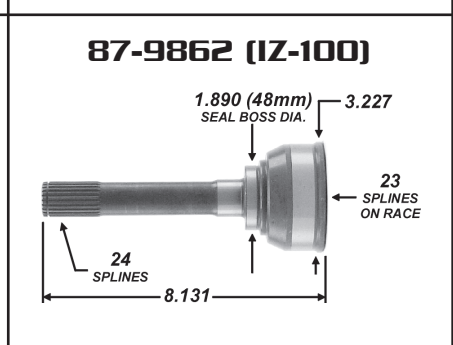
C.V. JOINT ILLUSTRATIONS



Replaced by 87-9854

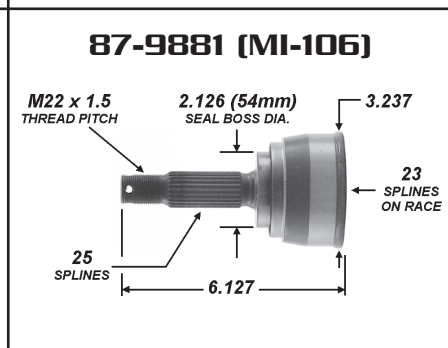
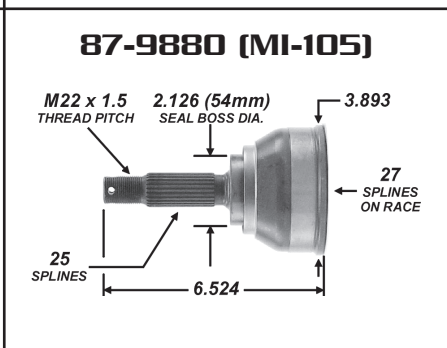
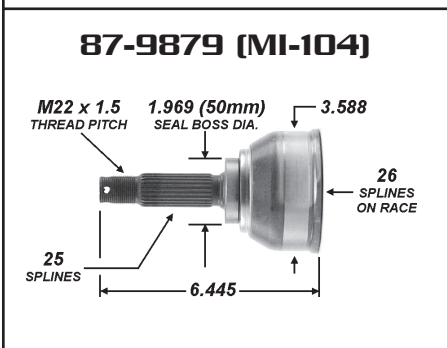
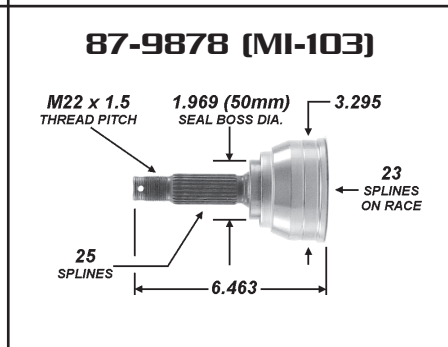
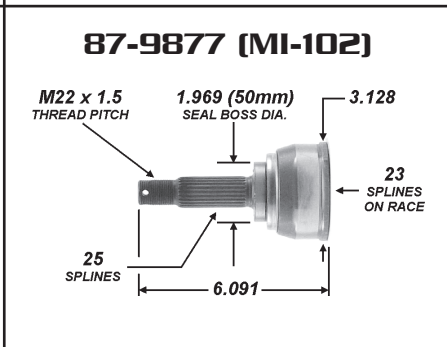
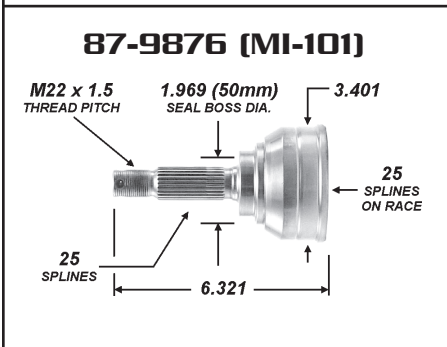
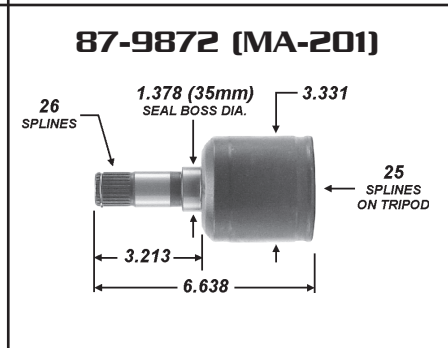
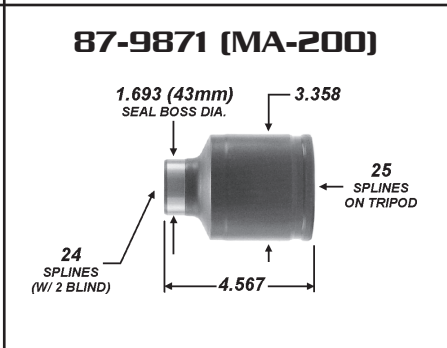
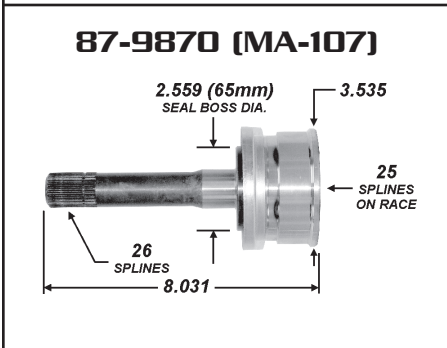
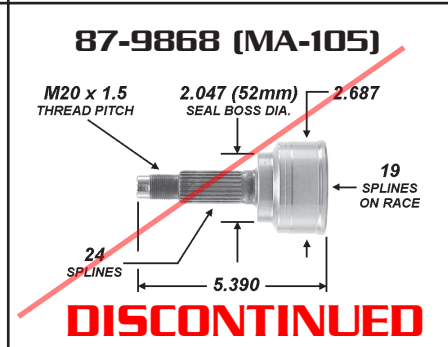
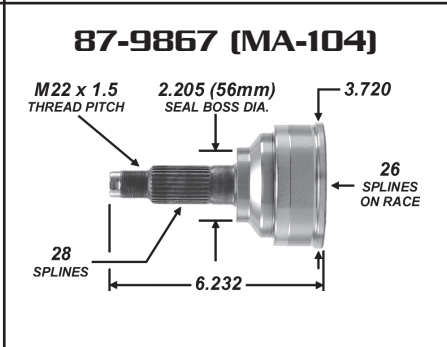
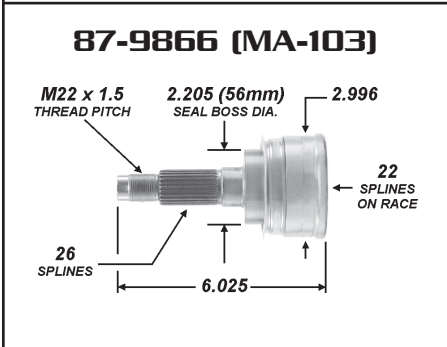
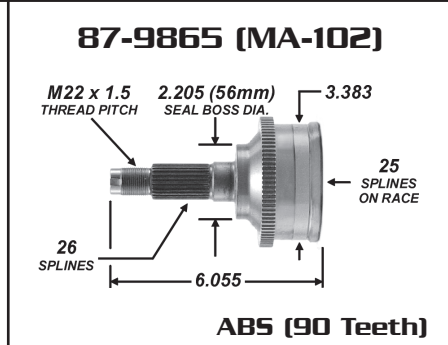
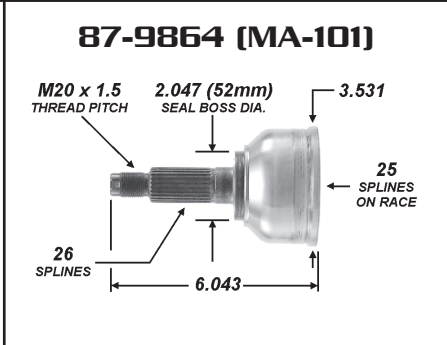
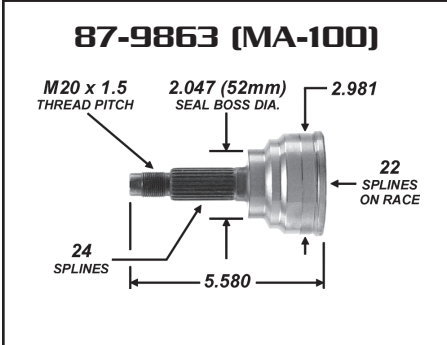


DISCONTINUED



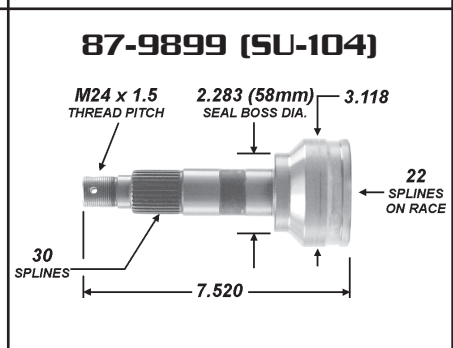
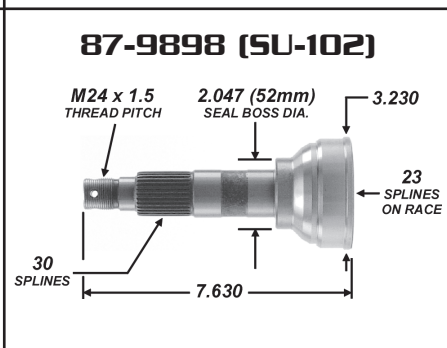
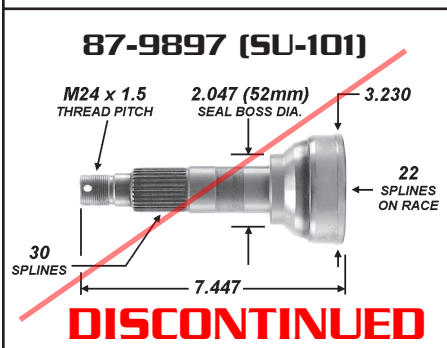
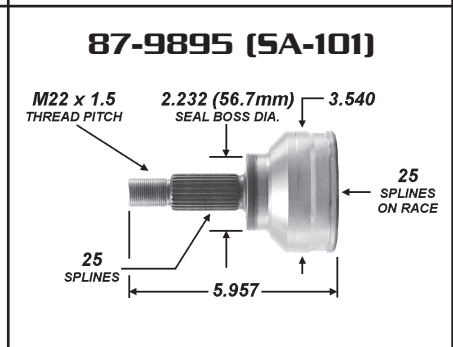
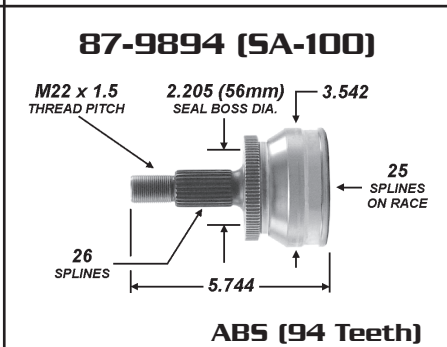
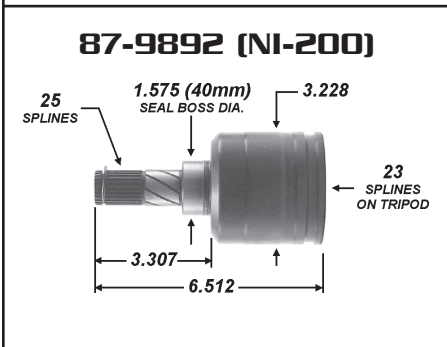
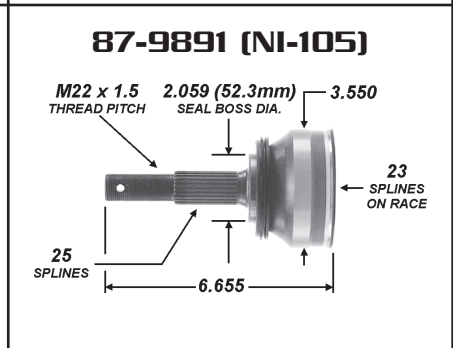
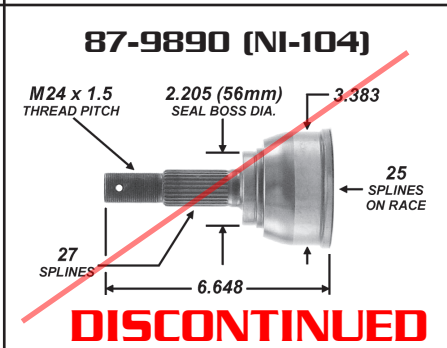
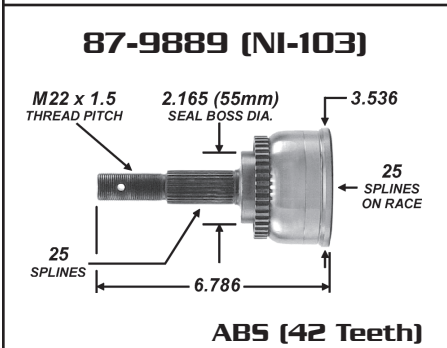
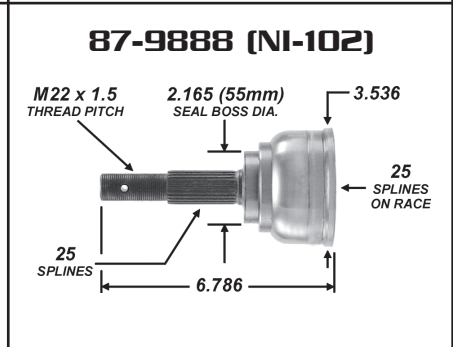
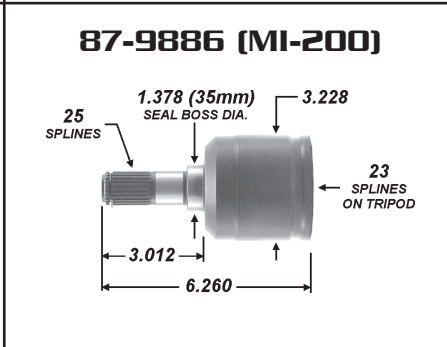
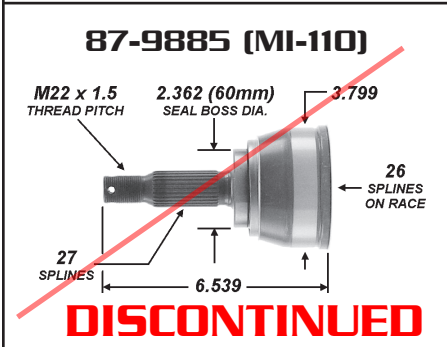
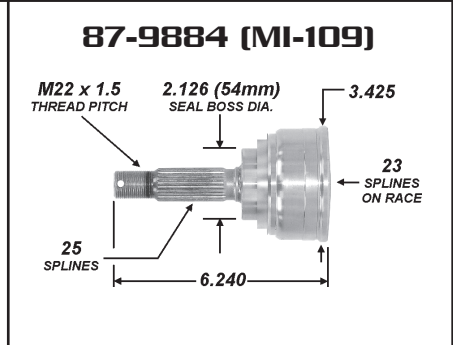
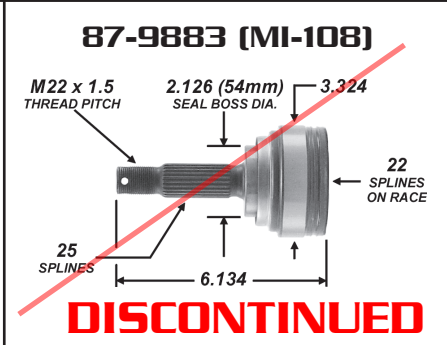
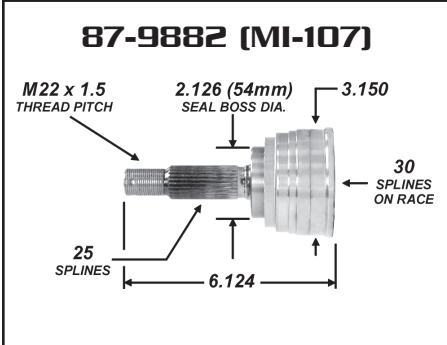


C.V. JOINT ILLUSTRATIONS





C.V. JOINT ILLUSTRATIONS





C.V. JOINT ILLUSTRATIONS

<p style="text-align: center;">87-9900 (SU-105)</p>	<p style="text-align: center;">87-9901 (SU-107)</p>	<p style="text-align: center;">87-9902 (SU-108)</p>
<p style="text-align: center;">87-9903 (SU-109)</p>	<p style="text-align: center;">87-9904 (SU-110)</p>	<p style="text-align: center;">87-9905 (SU-111)</p>
<p style="text-align: center;">87-9906 (SU-112)</p>	<p style="text-align: center;">87-9910 (SU-202)</p> <p style="text-align: center; color: red; font-weight: bold; font-size: 1.2em;">Replaced by 87-9731</p>	<p style="text-align: center;">87-9911 (SK-100)</p>
<p style="text-align: center;">87-9912 (SK-101)</p>	<p style="text-align: center;">87-9913 (TO-102)</p>	<p style="text-align: center;">87-9914 (TO-103)</p>
<p style="text-align: center;">87-9915 (TO-104)</p>	<p style="text-align: center;">87-9916 (VW-201)</p>	<p style="text-align: center;">87-9917 (VW-202)</p>

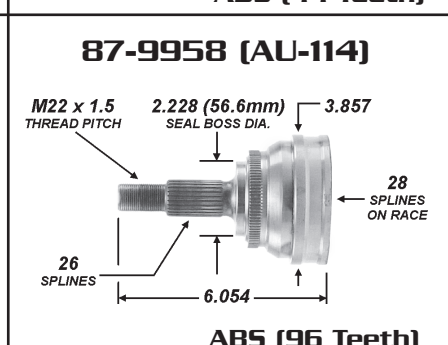
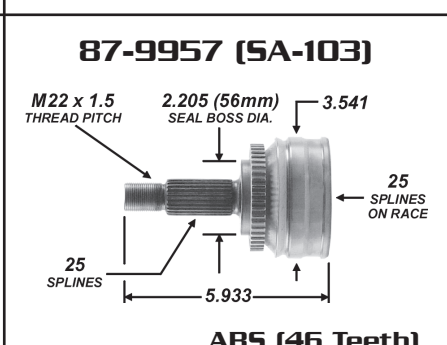
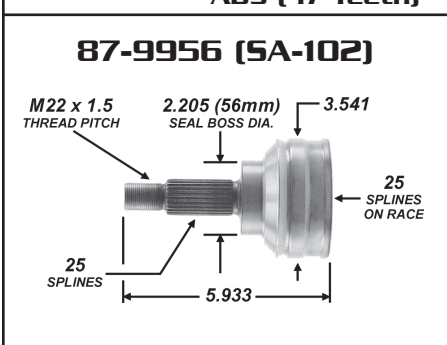
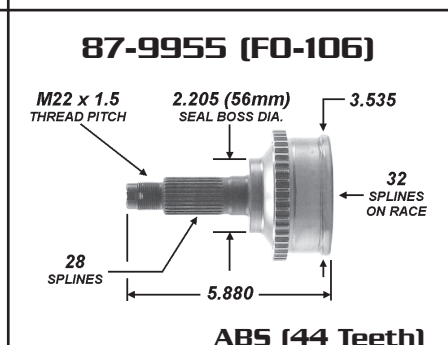
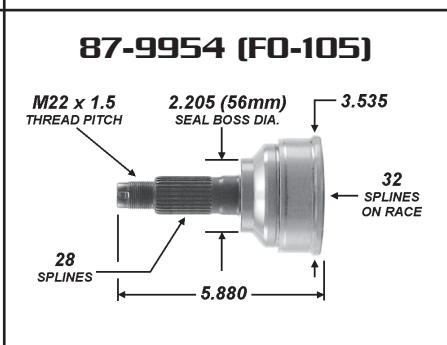
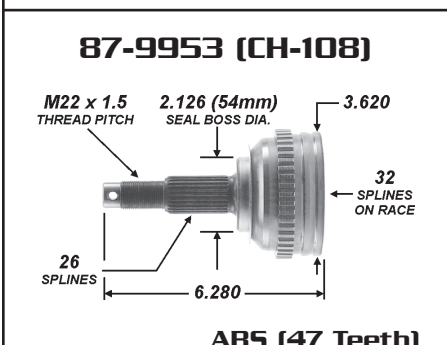
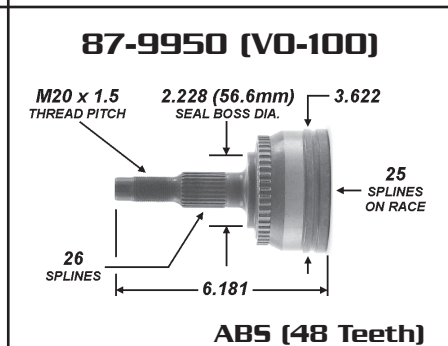
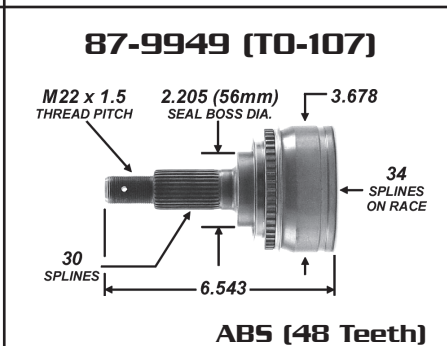
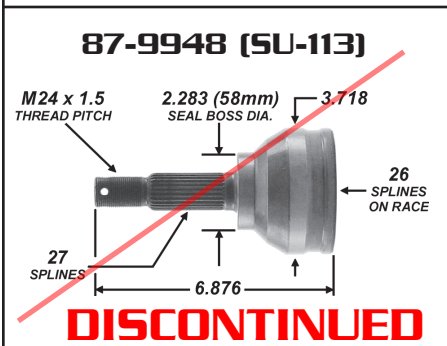
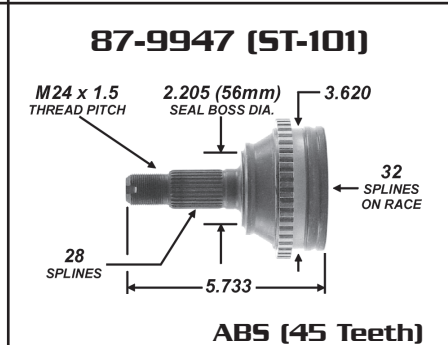
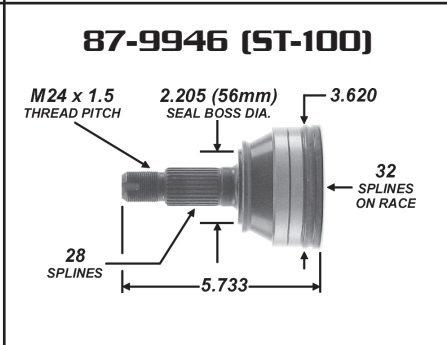
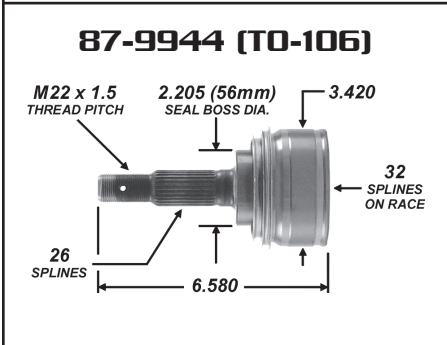
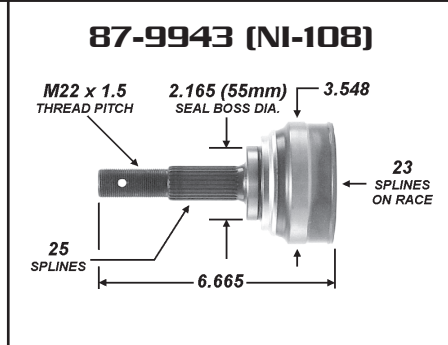
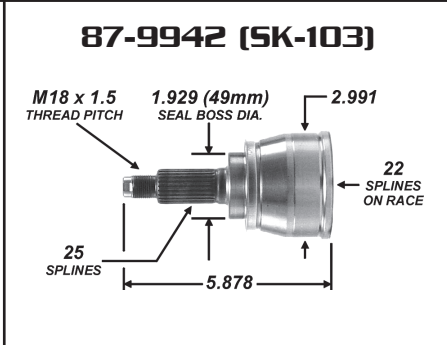
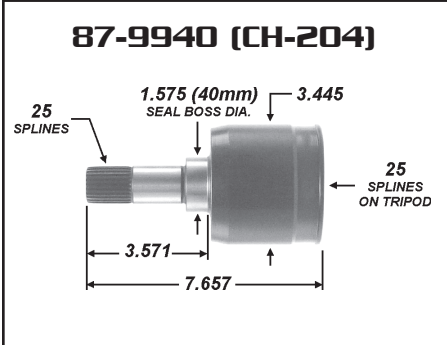


C.V. JOINT ILLUSTRATIONS

<p style="text-align: center;">87-9918 (GM-108)</p>	<p style="text-align: center;">87-9919 (GM-109)</p>	<p style="text-align: center;">87-9922 (MA-109)</p> <p style="text-align: center;">ABS (90 Teeth)</p>
<p style="text-align: center;">87-9923 (5K-102)</p>	<p style="text-align: center;">87-9928 (MA-111)</p>	<p style="text-align: center;">87-9929 (MA-112)</p>
<p style="text-align: center;">87-9930 (MA-113)</p>	<p style="text-align: center;">87-9931 (NI-106)</p>	<p style="text-align: center;">87-9933 (CH-106)</p> <p style="text-align: center;">ABS (50 Windows)</p>
<p style="text-align: center;">87-9934 (CH-107)</p> <p style="text-align: center;">ABS (56 Teeth)</p>	<p style="text-align: center;">87-9935 (CH-200)</p>	<p style="text-align: center;">87-9936 (CH-201)</p>
<p style="text-align: center;">87-9937 (CH-202)</p>	<p style="text-align: center;">87-9938 (CH-203)</p>	<p style="text-align: center;">87-9939 (AC-102)</p>



C.V. JOINT ILLUSTRATIONS





C.V. JOINT ILLUSTRATIONS

<p style="text-align: center;">87-9959 (HO-112)</p> <p style="text-align: center;">ABS (50 Teeth)</p>	<p style="text-align: center;">87-9962 (HO-113)</p> <p style="text-align: center;">ABS (50 Teeth)</p>	<p style="text-align: center;">87-9964 (GM-111)</p> <p style="text-align: center;">ABS (50 Teeth)</p>
<p style="text-align: center;">87-9965 (GM-112)</p> <p style="text-align: center;">ABS (50 Teeth)</p>	<p style="text-align: center;">87-9969 (FO-107)</p> <p style="text-align: center;">ABS (50 Teeth)</p>	<p style="text-align: center;">87-9971 (FO-108)</p> <p style="text-align: center;">ABS (50 Teeth)</p>
<p style="text-align: center;">87-9972 (GM-114)</p> <p style="text-align: center;">ABS (50 Teeth)</p>	<p style="text-align: center;">87-9973 (GM-115)</p> <p style="text-align: center;">ABS (50 Teeth)</p>	<p style="text-align: center;">87-9976 (CH-110)</p> <p style="text-align: center;">ABS (50 Teeth)</p>
<p style="text-align: center;">87-9977 (CH-111)</p> <p style="text-align: center;">ABS (47 Teeth)</p>	<p style="text-align: center;">87-9978 (GM-118)</p> <p style="text-align: center;">DISCONTINUED</p>	<p style="text-align: center;">87-9980 (FO-109)</p> <p style="text-align: center;">ABS (50 Teeth)</p>
<p style="text-align: center;">87-9981 (AC-103)</p> <p style="text-align: center;">ABS (50 Teeth)</p>	<p style="text-align: center;">87-9982 (AU-104)</p> <p style="text-align: center;">ABS (50 Teeth)</p>	<p style="text-align: center;">87-9983 (AU-105)</p> <p style="text-align: center;">ABS (50 Teeth)</p>



C.V. JOINT ILLUSTRATIONS

<p style="text-align: center;">87-9984 (AU-106)</p> <p style="text-align: center;">ABS (45 Teeth)</p>	<p style="text-align: center;">87-9988 (MA-206)</p>	<p style="text-align: center;">87-9994 (NI-113)</p> <p style="text-align: center;">ABS (46 Teeth)</p>
<p style="text-align: center;">87-9995 (NI-202)</p>	<p style="text-align: center;">87-9998 (NI-205)</p> <p style="text-align: center;">Double Spline</p>	<p style="text-align: center;">87-9999 (GM-121)</p>



C.V. JOINT BUYERS GUIDE

EMPI NO.	MAKE / MODEL	POSITION
87-6750*	Acura RSX	Outboard
87-6751	Chrysler Pacifica	Outboard
87-6752	Dodge Ram 1500	Outboard
87-6753	Dodge Ram 1500	Inboard
87-6758	Toyota Corolla	Inboard
87-6759	Saturn Ion	Outboard
87-6761	Ford Five Hundred, Freestyle, Mercury Montego	Outboard
87-6762	Ford Five Hundred, Freestyle, Mercury Montego	Inboard
87-6763	Ford Five Hundred, Freestyle, Mercury Montego	Inboard
87-6764	Ford Five Hundred, Freestyle, Mercury Montego	Inboard
87-6765*	Acura RSX, RSX Type S	Outboard
87-6768	Honda Accord	Outboard
87-6769	Toyota Tacoma	Outboard
87-6777	Ford Freestar	Outboard
87-6778	Ford Five Hundred, Mercury Montego	Inboard
87-6779	Hyundai Atos (International Model)	Outboard
87-6780	Mazda3	Inboard
87-6781	Mazda3	Inboard
87-6782	Mazda3	Inboard
87-6785	Subaru Impreza	Inboard
87-6786	Volvo S40, V40	Inboard
87-6787	Volvo S40, V40	Inboard
87-6788	Volvo S40, V40	Inboard
87-8706	Toyota RAV4	Inboard
87-8707#	Toyota RAV4	Inboard
87-8708	Volkswagen Vanagon Syncro	Outboard
87-8709	Saturn 'L' Series	Inboard
87-8710	Saturn 'L' Series	Inboard
87-8711	Saturn Vue, Chevrolet Equinox	Outboard
87-8712	Saturn Vue	Inboard
87-8714	Saturn Vue	Inboard
87-8716	Hyundai Sonata, Kia Optima	Outboard
87-8717*	Hyundai Sonata, Kia Optima	Outboard
87-8719	Mitsubishi Diamante	Inboard
87-8720	Hyundai Santa Fe	Inboard
87-8722	Hyundai Santa Fe, Tiburon	Outboard
87-8723	Suzuki Esteem	Inboard
87-8724	Hyundai Sonata, Kia Optima	Outboard
87-8725*	Nissan Sentra	Outboard
87-8726*	Hyundai Tiburon	Outboard
87-8727*	Hyundai Santa Fe	Outboard
87-8728*	Hyundai Sonata, Kia Optima	Outboard
87-8729*	Saturn SC, SL, SW	Outboard
87-8730*	Mitsubishi Lancer	Outboard
87-8731#	Discontinued	
87-8732*	Suzuki Esteem	Outboard
87-8733	Audi A4, A4 Quattro, A6 Quattro, A8 Quattro, Volkswagen Golf, Jetta	Inboard
87-8734	Isuzu Axiom, Rodeo, Honda Passport	Outboard
87-8735	Hyundai Elantra	Inboard
87-8738#	Toyota Avalon, Camry, Solara	Inboard
87-8739	Toyota Highlander, RAV4	Inboard
87-8740#	Toyota Camry, Solara	Inboard
87-8741*	Lexus ES300, RX300, Toyota Highlander	Outboard



C.V. JOINT BUYERS GUIDE

EMPI NO.	MAKE / MODEL	POSITION
87-8742*	Hyundai Elantra	Outboard
87-8743*	Hyundai Elantra	Outboard
87-8744	Dodge Neon SRT-4	Inboard
87-8745*	Hyundai Tiburon	Outboard
87-8746	Chrysler PT Cruiser	Inboard
87-8748	Ford Expedition, Lincoln Navigator	Outboard
87-8749*	Lexus RX300 (2WD)	Outboard
87-8750*	Hyundai Santa Fe	Outboard
87-8805	Discontinued	
87-8806*	Discontinued	
87-8813*	Acura Integra, Honda Civic del Sol	Outboard
87-8815	Dodge Dakota, Durango (4WD)	Outboard
87-8841*	Saab 900	Outboard
87-8850#	Nissan Maxima	Inboard
87-8851*	Toyota Camry 4 Cyl.	Outboard
87-8853	Toyota Camry 4 Cyl.	Outboard
87-8856#	Discontinued	
87-8861*	Toyota Celica All-Trac, Previa Van	Outboard
87-8862*	Toyota Tercel	Outboard
87-8863	Toyota Tercel	Outboard
87-8866*	Nissan 200SX, Sentra	Outboard
87-8867	Discontinued	
87-8873*	Audi 200	Outboard
87-8881	Acura SLX, Isuzu Trooper	Outboard
87-8884*	Audi A4 Quattro, VW Passat 4 Motion	Outboard
87-8891	Chevrolet/GMC/Hummer Broad Coverage (SUV/Truck)	Outboard
87-8892	Lexus LX470, Toyota Land Cruiser	Outboard
87-8893*	Discontinued	
87-8900	Discontinued	
87-8910	Ford Thunderbird, Lincoln Mark Series, Mercury Cougar	Outboard
87-8920	Buick/Chevrolet/Isuzu/Oldsmobile Broad Coverage (SUV/Truck/Van 4WD)	Outboard
87-8922	Chrysler, Dodge, Plymouth Broad Coverage (Saginaw Design)	Outboard
87-8923*	Chrysler, Dodge, Plymouth Broad Coverage (Saginaw Design)	Outboard
87-8925*	Chrysler, Dodge, Plymouth Broad Coverage (Saginaw Design)	Outboard
87-8931*	Ford Aspire	Outboard
87-8933	Nissan Pulsar, Sentra	Inboard
87-8936*	Acura CL, TL, Honda Accord	Outboard
87-8940	Ford Focus	Outboard
87-8945*	Buick/Chevrolet/Oldsmobile/Pontiac, Broad Coverage (J, L, N Body)	Outboard
87-8947	Chevrolet Classic, Malibu, Oldsmobile Alero, Cutlass, Pontiac Grand Am	Outboard
87-8956	Chrysler 300M, Concorde, LHS, Dodge Intrepid	Outboard
87-8957*	Chrysler 300M, Concorde, LHS, Dodge Intrepid	Outboard
87-8963	Chevrolet Cavalier, Malibu, Oldsmobile Alero, Cutlass, Pontiac Grand Am, Sunfire	Inboard
87-8964*	Nissan Stanza	Outboard
87-8966	Buick, Cadillac, Oldsmobile Broad Coverage (C, E, K, V Body)	Outboard
87-8971	Acura RL, TL, Honda Prelude, CR-V	Outboard
87-8977*	Hyundai Sonata	Outboard
87-8978	Kia Sephia	Outboard
87-8979*	Mitsubishi Diamante	Outboard
87-8985	Ford Escort, ZX2, Mercury Tracer	Inboard
87-8987	Mazda B2600	Inboard
87-8988*	Buick, Cadillac, Oldsmobile Broad Coverage (C, E, K, V Body)	Outboard
87-8989	Ford Focus	Inboard

* ABS # Bearing and/or Flange + Double Spline



C.V. JOINT BUYERS GUIDE

EMPI NO.	MAKE / MODEL	POSITION
87-8990#	Ford Focus	Inboard
87-8991	Ford Taurus 2.5L	Inboard
87-8992*	Chrysler Concorde, LHS, New Yorker, Dodge Intrepid, Eagle Vision	Outboard
87-8995	Nissan 200SX, Sentra	Outboard
87-8997	Eagle Talon, Mitsubishi Eclipse, Galant, Plymouth Laser	Inboard
87-9008*	Audi A4, A4 Quattro, Volkswagen Passat 1.8L	Outboard
87-9010*	Saab 9000 2.3L	Outboard
87-9011	Chevrolet Cavalier, Oldsmobile Achieva, Pontiac Grand Am, Sunfire	Outboard
87-9021	Chrysler Sebring, Dodge Stratus, Mitsubishi Eclipse, Galant	Inboard
87-9024	Ford Ranger, Mazda Pickup (4WD)	Outboard
87-9028	Dodge Dakota, Durango (4WD)	Inboard
87-9029	Dodge Dakota, Durango (4WD)	Outboard
87-9035*	Toyota Camry	Outboard
87-9037	Discontinued	
87-9038*	Discontinued	
87-9039*	Discontinued	
87-9041	G.M. Century, Cutlass, Eurosport (International model)	Outboard
87-9042	G.M. Century, Cutlass, Eurosport (International Model)	Outboard
87-9043	Nissan Lucino HF, Sentra HF (International Model)	Outboard
87-9044	Nissan Tsuru (International Model)	Inboard
87-9046*	Audi A4, A6, A6 Quattro, A8, A8 Quattro, Allroad Quattro, RS6, S4, S6, S8, VW Passat	Outboard
87-9055*	Hyundai Sonata 4 Cyl.	Outboard
87-9057	Toyota Celica All-Trac, Previa Van	Outboard
87-9059#	Toyota Camry, Solara	Inboard
87-9062*	Dodge Neon, Plymouth Neon (Domestic & International Models)	Outboard
87-9064	Mazda Millenia	Outboard
87-9066*	Nissan Lucino HF, Sentra HF (International Model)	Outboard
87-9067	G.M. Chevy (International Model)	Outboard
87-9068	Chrysler New Yorker, Phantom, Shadow, Spirit (International Model)	Inboard
87-9069*	G.M. Cavalier (International Model)	Outboard
87-9073	VW New Beetle, Jetta (International Model) (100mm)	Inboard
87-9074	Sebring Convertible (USA Produced), Chrysler Cirrus, Stratus (International Model)	Outboard
87-9075*	Sebring Convertible (USA Produced), Chrysler Cirrus, Stratus (International Model)	Outboard
87-9076*	Chrysler Cirrus, Stratus (International Model)	Outboard
87-9077	Chrysler Broad Coverage (International Model)	Outboard
87-9079	VW Golf, Jetta, New Beetle (Domestic & International Models)	Inboard
87-9083*	Eagle Talon, Mitsubishi Eclipse	Outboard
87-9084	Ford Thunderbird, Mercury Cougar	Inboard
87-9085*	Honda Odyssey, Isuzu Oasis	Outboard
87-9086	Audi, Volkswagen Broad Coverage	Inboard
87-9087	Toyota Camry, Corolla, RAV4	Inboard
87-9088	Toyota Camry, Corolla, RAV4	Inboard
87-9090	Chrysler, Dodge, Eagle Summit, Mitsubishi, Broad Coverage	Outboard
87-9091	Discontinued	
87-9095	Acura SLX, Isuzu Trooper, Nissan 300ZX	Inboard
87-9096	Infiniti J30, Nissan Pathfinder, Pickup (4WD)	Inboard
87-9097	Ford Festiva	Inboard
87-9098	Mitsubishi Lancer, Mirage	Inboard
87-9099	Volkswagen Eurovan	Outboard
87-9100*	Volkswagen Eurovan	Outboard
87-9102*	Jeep Grand Cherokee	Outboard
87-9104#	Nissan Maxima	Inboard
87-9105	Ford Focus (USA Produced), Ford Fiesta, Ikon (International Model)	Outboard



C.V. JOINT BUYERS GUIDE

EMPI NO.	MAKE / MODEL	POSITION
87-9106	Ford Focus	Outboard
87-9108	Buick, Cadillac, Chevrolet, Oldsmobile, Pontiac, Broad Coverage	Inboard
87-9109	Buick, Cadillac, Chevrolet, Oldsmobile, Pontiac, Broad Coverage	Inboard
87-9110	Buick, Cadillac, Chevrolet, Oldsmobile, Pontiac, Broad Coverage	Inboard
87-9112	Chevrolet S10 Blazer, Pickup, GMC Envoy, S15, Jimmy, Sonoma, Syclone, Typhoon, Oldsmobile Bravada	Inboard
87-9113	Chevrolet S10 Blazer, Pickup, GMC Envoy, S15, Jimmy, Sonoma, Syclone, Typhoon, Oldsmobile Bravada	Inboard
87-9114	Nissan Tsuru (International Model)	Inboard
87-9116	Chrysler Neon, PT Crusier (International Model)	Outboard
87-9117*	Chrysler Neon, PT Cruiser (International Model)	Outboard
87-9118*	Hyundai Elantra	Outboard
87-9119	Chrysler Dart, LeBaron, Magnum, New Yorker, Phantom, Shadow, Spirit, Volare (International Models)	Inboard
87-9120	G.M. Cavalier, Century, Cutlass (International Models)	Inboard
87-9121	Nissan Tsubame, Tsuru (International Models)	Inboard
87-9122	Discontinued	
87-9123	Nissan Tsubame, Tsuru (International Models)	Inboard
87-9124	Nissan Sentra HS (International Model)	Inboard
87-9125	Chrysler Voyager (International Model)	Inboard
87-9126	Nissan Platina (International Model)	Outboard
87-9127*	Nissan Platina (International Model)	Outboard
87-9128	Ford Escort, Tempo, Mercury Lynx, LN7, Topaz	Inboard
87-9129	Chrysler, Dodge, Plymouth, Broad Coverage (Citroen Design)	Inboard
87-9131	Chrysler, Dodge, Plymouth, Broad Coverage (Citroen Design)	Inboard
87-9133	Kia Sephia	Inboard
87-9134	Infiniti I30, Nissan Maxima	Inboard
87-9135#	Infiniti I30, Nissan Maxima	Inboard
87-9136	Infiniti J30, QX4, Nissan 240SX, Pathfinder, Pickup, Xterra	Inboard
87-9138	Cadillac Allante, Concours, Deville Fleetwood, Eldorado, Seville, Oldsmobile Aurora	Inboard
87-9139	Honda Odyssey	Inboard
87-9140*	Ford Windstar	Outboard
87-9142#	Discontinued	
87-9143	Ford Aspire	Inboard
87-9144	Volvo 850	Inboard
87-9145*	Ford Mondeo (International Model)	Outboard
87-9146	Ford Courier, Fiesta, Ikon (International Model)	Outboard
87-9147	Ford Fiesta (International Model)	Outboard
87-9148	Volkswagen Eurovan (International Model)	Outboard
87-9149	Volkswagen Eurovan (International Model), (108mm)	Inboard
87-9150*	G.M. Astra 1.7L, Vectra 1.7L (International Model)	Outboard
87-9151	G.M. Astra 2.0L (International Model)	Outboard
87-9152*	G.M. Astra 1.6L, Vectra 1.6L (International Model)	Outboard
87-9153	Cadillac Eldorado, Oldsmobile Toronado	Outboard
87-9154	Discontinued	
87-9156*	Subaru Impreza, Forester	Outboard
87-9157#	Nissan Altima	Inboard
87-9158	Toyota Corolla, Matrix	Outboard
87-9159	Lexus RX300	Inboard
87-9161	Jeep Liberty	Outboard
87-9162	Jeep Liberty	Inboard
87-9301	Dodge D50, Ram 50, Mitsubishi Mighty Max, Montero, Mitsubishi Pajero (International Model)	Outboard
87-9302	Discontinued	
87-9303	Mazda Capala (International Model)	Outboard
87-9305	Discontinued	
87-9306	Mazda 323 (International Model)	Outboard

* ABS # Bearing and/or Flange + Double Spline



C.V. JOINT BUYERS GUIDE

EMPI NO.	MAKE / MODEL	POSITION
87-9308 Toyota Tercel	Outboard
87-9309 Toyota Tercel	Outboard
87-9310 Toyota Starlet (International Model)	Outboard
87-9313 Nissan Altima (27 Spline Race)	Outboard
87-9314 Toyota 4Runner, Land Cruiser, Pickup (4WD)	Outboard
87-9315* Nissan Altima (27 Spline Race)	Outboard
87-9316 Dodge D50, Raider, Mitsubishi Mighty Max, Montero (4WD), Mitsubishi Pajero (International Model)	Outboard
87-9317* Buick/Chevrolet/Oldsmobile/Pontiac, Broad Coverage (J, L, N Body)	Outboard
87-9318* Buick/Chevrolet/Oldsmobile/Pontiac, Broad Coverage (J, L, N Body)	Outboard
87-9319 Nissan Altima (26 Spline Race)	Inboard
87-9320# Discontinued	
87-9323* Buick/Chevrolet/Oldsmobile/Pontiac, Broad Coverage (H, W Body)	Outboard
87-9324* Jeep Grand Cherokee, Grand Wagoneer (4WD)	Outboard
87-9325* Discontinued	
87-9326 Nissan Maxima, Stanza	Outboard
87-9328+ Nissan Altima (26 Spline Race, Double Spline)	Inboard
87-9330# Nissan Altima (26 Spline Race)	Inboard
87-9331 Toyota Tacoma (4WD)	Inboard
87-9334* Infiniti G20	Outboard
87-9335 Discontinued	
87-9341# Infiniti G20	Inboard
87-9344 Ford ZX-2, Mazda Miata, MX-3, Protegé	Outboard
87-9345 Toyota Camry, Celica, Corolla,	Inboard
87-9349 Lexus ES300, Toyota Avalon, Camry, Sienna	Inboard
87-9350# Discontinued	
87-9352* Chrysler Town & Country, Dodge Caravan, Plymouth Voyager	Outboard
87-9403 Dodge Stealth, Mitsubishi 3000GT, Diamante	Outboard
87-9407* Chevrolet/GMC Suburban (4WD)	Outboard
87-9408 Dodge/Plymouth Colt, Eagle Summit, Mitsubishi Mirage	Inboard
87-9411 Suzuki Esteem	Outboard
87-9414* Mazda Miata MX-5	Outboard
87-9415 Saturn SC, SL, SW Series	Inboard
87-9421 Mazda Millenia	Inboard
87-9423 Mazda MPV	Inboard
87-9425 Suzuki Esteem	Inboard
87-9426 Toyota Previa	Inboard
87-9427* Replaced by 87-8936	
87-9429# Discontinued	
87-9440 Ford Escort, ZX2, Mercury Tracer	Inboard
87-9442 Isuzu Amigo, Pickup, Rodeo, Trooper (4WD)	Inboard
87-9443 Discontinued	
87-9447 Saturn SC, SL, SW Series	Inboard
87-9452 Ford Expedition, F150, F250, Lincoln Navigator (4WD)	Outboard
87-9453 Ford Expedition, F150, F250, Lincoln Navigator (4WD)	Inboard
87-9460 Discontinued	
87-9461 Chrysler Sebring, Dodge Avenger, Eagle Talon, Mitsubishi Eclipse	Inboard
87-9462 Dodge Dakota, Durango (4WD)	Inboard
87-9464 Ford Tempo, Mercury Topaz	Inboard
87-9465 Ford Tempo, Mercury Topaz	Inboard
87-9477 Replaced by 87-9848	
87-9478* Honda Accord	Outboard
87-9488 Honda Passport, Isuzu Amigo, Rodeo (4WD)	Outboard
87-9491* Chrysler Cirrus, Sebring, Dodge Stratus	Outboard



C.V. JOINT BUYERS GUIDE

EMPI NO.	MAKE / MODEL	POSITION
87-9496	Suzuki Esteem	Outboard
87-9505*	Audi 90, 100, 100 Quattro, A6, A6 Quattro, Cabriolet, S4, S6, V8 Quattro	Outboard
87-9506*	90 Quattro, Coupe Quattro (Front)	Outboard
87-9508	Audi, Volkswagen Broad Coverage (108mm)	Inboard
87-9510	Chevrolet/Geo Prizm, Toyota Corolla	Outboard
87-9512	Ford Tempo, Mercury Topaz	Outboard
87-9513	Discontinued	
87-9514	Discontinued	
87-9515	Discontinued	
87-9516	Acura Legend	Inboard
87-9517	Acura Legend	Inboard
87-9518	Ford Probe, Mazda 626, MX-6	Outboard
87-9520	Discontinued	
87-9522	Lexus ES250, ES300, Toyota Camry, Celica (112mm)	Inboard
87-9523*	Ford Probe, Mazda 626, MX-6	Outboard
87-9524	Nissan Maxima	Outboard
87-9525	Discontinued	
87-9526	Discontinued	
87-9528	Chrysler, Dodge, Plymouth Broad Coverage (Domestic & International Model)	Outboard
87-9529*	Chrysler, Dodge, Plymouth Broad Coverage (Domestic & International Model)	Outboard
87-9530	Dodge Dakota (4WD)	Outboard
87-9531*	Dodge Dakota (4WD)	Outboard
87-9532	Replaced by 87-9324	
87-9533*	Jeep Cherokee, Comanche, Grand Cherokee, Grand Wagoneer, Wagoneer (4WD)	Outboard
87-9534	Chrysler, Dodge, Plymouth Broad Coverage (GKN Design)	Inboard
87-9535	Chrysler 300M, Concorde, LHS, New Yorker, Dodge Intrepid, Eagle Vision	Inboard
87-9536	Chrysler Town & Country, Dodge Caravan, Plymouth Voyager	Inboard
87-9537	Chrysler Town & Country, Dodge Caravan, Plymouth Voyager	Inboard
87-9538	Discontinued	
87-9539	Discontinued	
87-9543*	Ford Windstar	Outboard
87-9544	Ford Contour, Mercury Cougar, Mystique	Outboard
87-9545*	Ford Contour, Mercury Cougar, Mystique	Outboard
87-9546	Ford Explorer, Ranger, Mercury Mountaineer (4WD)	Outboard
87-9547	Ford Contour, Mercury Cougar, Mystique	Outboard
87-9548*	Ford Contour, Mercury Cougar, Mystique	Outboard
87-9549	Ford Aerostar	Outboard
87-9551	Ford Taurus, Windstar, Lincoln Continental, Mercury Sable	Inboard
87-9552	Ford Taurus, Windstar, Lincoln Continental, Mercury Sable	Inboard
87-9553	Ford Escort, EXP, Tempo, Mercury, LN7, Lynx, Topaz	Inboard
87-9554	Discontinued	
87-9555	Ford Contour, Mercury Cougar, Mystique	Inboard
87-9556	Ford Contour, Mercury Cougar, Mystique	Inboard
87-9557	Discontinued	
87-9558	Discontinued	
87-9559	Ford Contour, Mercury Cougar, Mystique	Inboard
87-9560	Ford Explorer, Explorer Sport, Ranger, Mazda B2500, B3000, B4000, Mercury Mountaineer (4WD)	Inboard
87-9561	Ford Explorer, Explorer Sport, Ranger, Mazda B2500, B3000, B4000, Mercury Mountaineer (4WD)	Inboard
87-9562*	Saturn	Outboard
87-9564	Saturn	Outboard
87-9565*	Saturn	Outboard
87-9566*	Chevrolet/GMC Suburban, (4WD)	Outboard
87-9567	Chevrolet Astro, S10, S15, GMC Jimmy, Safari, Sonoma, Syclone, Typhoon, Olds. Bravada (4WD)	Inboard

* ABS # Bearing and/or Flange + Double Spline



C.V. JOINT BUYERS GUIDE

EMPI NO.	MAKE / MODEL	POSITION
87-9568	Chevrolet/GMC Blazer, K2500, K3500, Suburban, Tahoe, Yukon (4WD)	Inboard
87-9569	Nissan Tsuru (International Model)	Outboard
87-9571*	Acura Integra, Honda Civic, Civic del Sol	Outboard
87-9572	Honda Prelude	Outboard
87-9573*	Honda Prelude	Outboard
87-9574*	Acura RL, TL, Honda CR-V, Prelude	Outboard
87-9575	Acura Integra, Honda Accord, Civic, Civic del Sol, CR-V, Prelude	Inboard
87-9577	Acura TL	Inboard
87-9578	Honda Prelude	Inboard
87-9579	Honda Prelude	Inboard
87-9580	Discontinued	
87-9581	Chevrolet/Geo Storm, Isuzu Impulse	Outboard
87-9582	Acura SLX, Honda Passport, Isuzu Amigo, Pickup, Rodeo, Trooper (4WD)	Outboard
87-9583	Kia Sephia, Mazda Protege	Outboard
87-9584*	Kia Sephia	Outboard
87-9585	Kia Sportage (4WD)	Outboard
87-9586	Kia Sephia	Outboard
87-9587	Discontinued	
87-9588	Discontinued	
87-9591	Dodge/Plymouth, Eagle, Hyundai, Mitsubishi, Broad Coverage	Outboard
87-9592*	Hyundai Accent	Outboard
87-9594*	Hyundai Sonata	Outboard
87-9596*	Hyundai Elantra, Tiburon	Outboard
87-9597	Replaced by 87-9881	
87-9598*	Dodge Plymouth Colt, Eagle Summit, Mitsubishi Mirage	Outboard
87-9601*	Chrysler Sebring, Dodge Avenger, Mitsubishi Eclipse, Galant	Outboard
87-9603	Dodge/Plymouth Colt, Eagle Summit, Hyundai Accent, Excel, Scoupe, Mitsubishi Mirage, Precis	Inboard
87-9604	Hyundai Sonata, Mitsubishi Diamante	Inboard
87-9605*	Mazda MX-3, Protegé	Outboard
87-9606*	Ford Probe, Mazda 626, MX-6	Outboard
87-9607	Ford Aspire	Outboard
87-9608*	Ford Aspire	Outboard
87-9609*	Ford ZX-2, Mazda MX-3, Protegé	Outboard
87-9610	Mazda Millenia	Outboard
87-9611*	Mazda Millenia	Outboard
87-9612	Mazda MPV	Outboard
87-9614	Ford Probe, Mazda 626, MX-6	Inboard
87-9615	Ford Probe, Mazda 626, MX-6	Inboard
87-9616	Ford Probe, Mazda 626, MX-6	Inboard
87-9617	Discontinued	
87-9618	Discontinued	
87-9619	Mazda MX-3, Protegé	Inboard
87-9621*	Nissan 200 SX, NX 1600, Sentra	Outboard
87-9622	Nissan Altima (26 Spline Race)	Outboard
87-9623*	Nissan Altima (26 Spline Race)	Outboard
87-9624	Mercury Villager, Nissan Quest	Outboard
87-9625*	Mercury Villager, Nissan Quest	Outboard
87-9626*	Nissan Maxima	Outboard
87-9627	Nissan Pathfinder, Pickup (4WD)	Outboard
87-9628	Infiniti QX4, Nissan Frontier, Pathfinder, Pickup, XTerra (4WD)	Outboard
87-9629	Nissan Maxima	Outboard
87-9630*	Infiniti I30, Nissan Maxima	Outboard
87-9631#	Infiniti G20, Nissan NX 2000, Sentra	Inboard



C.V. JOINT BUYERS GUIDE

EMPI NO.	MAKE / MODEL	POSITION
87-9632 Infiniti G20, Nissan 200SX, NX 2000, Sentra	Inboard
87-9633# Infiniti G20, Nissan NX 2000, Sentra	Inboard
87-9634# Infiniti I30, Nissan Maxima	Inboard
87-9637# Nissan Altima (27 Spline Race), Maxima.....	Inboard
87-9638 Subaru Impreza, Legacy, Forester.....	Outboard
87-9639 Subaru AWD, Coupe, Loyale, Sedan, Wagon, XT Coupe.....	Inboard
87-9642* Chevrolet/Geo Metro, Suzuki Swift	Outboard
87-9643* Toyota Camry 4 Cyl.....	Outboard
87-9644* Chevrolet/Geo Prizm, Toyota Corolla	Outboard
87-9645 Lexus ES250, Toyota Camry, Celica	Outboard
87-9646 Toyota Tercel	Outboard
87-9647* Toyota Tercel	Outboard
87-9648 Toyota Camry 6 Cyl.	Outboard
87-9649* Lexus ES300, Toyota Camry 6 Cyl.....	Outboard
87-9650 Lexus ES300, Toyota Avalon, Camry, Solara, Sienna	Outboard
87-9651* Lexus ES300, Toyota Avalon, Camry, Solara, Sienna	Outboard
87-9652 Toyota 4 Runner, Pickup, T100 (4WD)	Outboard
87-9653 Toyota Tacoma (4WD).....	Outboard
87-9654 Toyota 4 Runner, Tacoma (4WD)	Outboard
87-9655 Toyota Paseo, RAV4 (4WD), Toyota Corolla (International Model)	Outboard
87-9656* Toyota Paseo, RAV (4WD)	Outboard
87-9657 Chevrolet/Geo Prizm, Toyota Camry, Celica, Corolla, MR2, RAV4.....	Outboard
87-9658* Toyota Celica, RAV4	Outboard
87-9660 Toyota Tercel	Inboard
87-9661 Toyota Camry	Inboard
87-9662# Toyota Camry	Inboard
87-9663# Toyota Camry	Inboard
87-9664 Chevrolet/Geo Prizm, Toyota Corolla	Inboard
87-9665 Volvo 850	Outboard
87-9667 Volvo 850	Outboard
87-9668* Volvo 850, C70, S70, V70	Outboard
87-9669 Audi TT, Volkswagen Corrado, Golf, Jetta, New Beetle, Passat (Domestic and International Models)	Outboard
87-9670 Discontinued	
87-9671 Chevrolet/Geo Metro, Suzuki Swift	Outboard
87-9672 Toyota 4 Runner, Pickup, T100 (4WD)	Inboard
87-9673 Dodge Stealth, Hyundai Sonata, Mitsubishi 3000GT, Diamante, Galant Sigma	Inboard
87-9674 Dodge Stealth, Mitsubishi 3000GT, Diamante	Inboard
87-9675 Chevrolet/Geo Metro, Suzuki Swift	Inboard
87-9676 Chevrolet/Geo Storm, Isuzu I-Mark, Stylus.....	Inboard
87-9677 Chevrolet/Geo Storm, Isuzu I-Mark, Stylus.....	Inboard
87-9679 Suzuki Swift	Inboard
87-9680 Volkswagen Cabriolet, Golf, Jetta, New Beetle (Domestic & International Models)	Inboard
87-9681 Isuzu Stylus.....	Outboard
87-9682 Chevrolet/Geo Storm, Isuzu Stylus.....	Outboard
87-9683 Chrysler Broad Coverage (International Models).....	Outboard
87-9684 Chrysler Broad Coverage (International Models).....	Outboard
87-9685 G.M. Cavalier, Cutlass (International Models).....	Outboard
87-9686 G.M. Celebrity, Citation (International Models)	Outboard
87-9687 G.M. Celebrity, Century, Citation, X-11 (International Models)	Outboard
87-9688 Ford Topaz (International Models)	Outboard
87-9689 Ford Ghia, Topaz (International Models).....	Outboard
87-9690 Nissan Tsubame, Tsuru GS (International Models)	Outboard
87-9691 Nissan Tsuru (International Models)	Outboard

* ABS # Bearing and/or Flange + Double Spline



C.V. JOINT BUYERS GUIDE

EMPI NO.	MAKE / MODEL	POSITION
87-9693	Daihatsu G10, G11 (International Models)	Outboard
87-9696	Honda Ballade, Civic, Prelude, SL, SR, SS, ST, VC, VE & WD (International Models)	Outboard
87-9697	Honda Accord (International Models)	Outboard
87-9699*	Discontinued	
87-9714	Discontinued	
87-9715	Jeep Liberty	Inboard
87-9716	Ford Explorer (4WD)	Outboard
87-9717*	Toyota Corolla, Matrix	Outboard
87-9718	Saturn SC, SL, SW Series	Outboard
87-9719*	Nissan Altima	Outboard
87-9720*	Infiniti I35, Nissan Maxima	Outboard
87-9721	Infiniti QX4, Nissan Frontier, XTerra	Outboard
87-9722	Buick, Chevrolet, Oldsmobile, Pontiac, Broad Coverage	Inboard
87-9723	Buick, Chevrolet, Oldsmobile, Pontiac, Broad Coverage	Inboard
87-9724	Buick Park Ave., Riviera, Oldsmobile LSS, Pontiac Bonneville	Inboard
87-9725	Honda Civic	Outboard
87-9726*	Honda Civic	Outboard
87-9727	Chrysler Town & Country, Dodge Caravan, Plymouth Voyager	Inboard
87-9728	Chrysler Town & Country, Dodge Caravan	Inboard
87-9729	Dodge Dakota, Durango	Inboard
87-9731	Subaru AWD, Coupe, Legacy, Loyale, Sedan & Wagon, XT Coupe	Inboard
87-9732	Buick Rendezvous, Pontiac Aztek	Inboard
87-9733	Buick Rendezvous, Pontiac Aztek	Inboard
87-9734	Chrysler Sebring, Dodge Stratus	Outboard
87-9735*	Chrysler Sebring, Dodge Stratus	Outboard
87-9737	Ford Focus	Inboard
87-9738#	Ford Focus	Inboard
87-9739	Ford Escape, Mazda Tribute	Outboard
87-9740*	Ford Escape, Mazda Tribute	Outboard
87-9743	Honda Civic	Inboard
87-9744	Honda CR-V	Outboard
87-9746	Hyundai Sonata	Inboard
87-9748	Chrysler 300M	Inboard
87-9749	Chrysler PT Crusier	Inboard
87-9750	Kia Spectra	Outboard
87-9751*	Kia Spectra	Outboard
87-9754	Kia Sedona	Inboard
87-9755	Kia Sedona	Outboard
87-9756*	Kia Sedona	Outboard
87-9757	Mazda Protegé	Outboard
87-9758*	Mazda Protegé	Outboard
87-9760	Mazda MPV	Inboard
87-9761	Mitsubishi Lancer	Outboard
87-9763	Dodge Ram 50, Raider, Mitusbishi Montero, Mighty Max	Inboard
87-9764	Mitsubishi Montero	Inboard
87-9765#	Nissan Altima	Inboard
87-9766#	Nissan Altima	Inboard
87-9767#	Discontinued	
87-9769	Nissan Sentra	Outboard
87-9770	Mitsubishi Montero, Montero Sport	Inboard
87-9772	Suzuki Aerio	Inboard
87-9773	Suzuki Vitara	Inboard
87-9774	Suzuki Vitara, Grand Vitara	Inboard



C.V. JOINT BUYERS GUIDE

EMPI NO.	MAKE / MODEL	POSITION
87-9775	Suzuki Aerio	Inboard
87-9776	Toyota Echo	Outboard
87-9777*	Toyota Echo	Outboard
87-9779	Kia Rio	Outboard
87-9781*	Kia Rio	Outboard
87-9782	Kia Rio	Inboard
87-9783	Kia Sedona	Inboard
87-9785*	Mitsubishi Montero	Outboard
87-9786	Mitsubishi Montero Sport	Inboard
87-9788	Toyota Tercel	Inboard
87-9789	Toyota Camry, Solara	Inboard
87-9790	Toyota Camry	Outboard
87-9791*	Toyota Camry	Outboard
87-9792*	Toyota Camry, Solara	Outboard
87-9793	Toyota Camry, Solara	Inboard
87-9794	Toyota Celica	Outboard
87-9795*	Toyota Celica	Outboard
87-9797*	Toyota Prius	Outboard
87-9798*	Lexus RX330, Toyota Highlander	Outboard
87-9799	Lexus LX470, Toyota Land Cruiser	Inboard
87-9801	Acura Integra, Honda Accord	Outboard
87-9802	Nissan Sentra	Outboard
87-9803	Honda Civic, CRX	Outboard
87-9804	Nissan Pulsar, Sentra	Outboard
87-9805	Ford Escort ZX2, Mercury Tracer	Outboard
87-9806	Volkswagen Broad Coverage (Domestic & International Models)	Outboard
87-9807	Audi & Volkswagen Broad Coverage (100mm)	Both
87-9808	Toyota Celica, Corolla, MR2, Tercel	Outboard
87-9810	Volkswagen Broad Coverage (Domestic & International Models)	Outboard
87-9811	Volkswagen Broad Coverage (Domestic & International Models)	Outboard
87-9812	Replaced by 87-9811	
87-9813	Acura Legend	Outboard
87-9814*	Acura Legend	Outboard
87-9815	Audi 80, 90, 4000, 4000 Quattro, Coupe GT, Volkswagen Quantum, Quantum Syncro	Outboard
87-9816	Audi 80 Quattro, 100, 5000, Saab 9000	Outboard
87-9817*	Audi 80 Quattro, 5000, 5000 Quattro	Outboard
87-9818	Audi 200, 4000 Quattro, 5000, Quattro	Outboard
87-9819	Chrysler Broad Coverage	Outboard
87-9820	Chrysler Concorde, LHS, New Yorker, Dodge Intrepid, Eagle Vision	Outboard
87-9821	Dodge & Plymouth Neon (Domestic & International Model)	Outboard
87-9823	Chrysler, Dodge, Plymouth Broad Coverage (Citroen Design)	Outboard
87-9824	Chrysler, Dodge, Plymouth Broad Coverage (ACI Design)	Outboard
87-9825	Daihatsu Charade	Outboard
87-9826	Daihatsu Charade	Outboard
87-9827*	Ford Escort, ZX2, Mercury Tracer	Outboard
87-9828	Ford Escort, EXP, Tempo, Mercury Lynx, Topaz	Outboard
87-9829	Ford Taurus, Mercury Sable	Outboard
87-9831	Discontinued	
87-9832	Buick, Chevrolet, Oldsmobile, Pontiac Broad Coverage (LD Brakes)	Outboard
87-9833	Chevrolet/Geo Nova, Prizm, Toyota Corolla	Outboard
87-9834	Chevrolet/Geo Spectrum, Isuzu I-Mark	Outboard
87-9835	Chevrolet/Geo Spectrum, Isuzu I-Mark	Outboard
87-9836	Saturn SC, SL, SW Series	Outboard

* ABS # Bearing and/or Flange + Double Spline



C.V. JOINT BUYERS GUIDE

EMPI NO.	MAKE / MODEL	POSITION
87-9837	Buick, Chevrolet, Oldsmobile, Pontiac Broad coverage	Outboard
87-9838	G.M. Broad Coverage, Opel Ascona, Corsa, Kadett (International Models)	Outboard
87-9839	Pontiac LeMans (Domestic Model), Opel Ascona, Corsa, Kadett (International Models)	Outboard
87-9840	Chevrolet/GMC Blazer, Jimmy, K1500, K2500, Suburban, Tahoe, Yukon (4WD)	Inboard
87-9841	Honda Civic, CRX	Outboard
87-9842	Honda Accord, Prelude	Outboard
87-9843	Honda Accord	Outboard
87-9844	Honda Civic, CRX	Outboard
87-9845	Honda Accord, Civic, Prelude	Outboard
87-9846	Honda Prelude	Outboard
87-9847	Honda Accord, Prelude	Outboard
87-9848	Acura CL, TL, Honda Accord, Prelude	Outboard
87-9849	Acura Integra, Honda Civic del Sol, Prelude	Outboard
87-9850	Acura Integra, Honda Civic, Civic del Sol	Outboard
87-9851	Honda Accord, Prelude	Inboard
87-9853	Honda Accord, Prelude	Inboard
87-9854	Acura CL, Integra, TL, Honda Accord, Civic	Inboard
87-9855	Honda Civic, Civic del Sol, CRX	Inboard
87-9856	Honda Accord, Civic, Civic del Sol, CRX, Prelude	Inboard
87-9857	Replaced by 87-9854	
87-9858	Acura Legend	Inboard
87-9859	Acura CL, Honda Accord, CR-V, Prelude, Odyssey, Isuzu Oasis	Inboard
87-9860	Acura Legend	Inboard
87-9861	Discontinued	
87-9862	Chevrolet Luv Pickup, Isuzu Pickup, Trooper (4WD)	Outboard
87-9863	Mazda 323, GLC, Mercury Capri, Tracer	Outboard
87-9864	Mazda 626, MX-6	Outboard
87-9865*	Ford Probe, Mazda 626, MX-6	Outboard
87-9866	Mazda 323, Miata MX-5, MX-3	Outboard
87-9867	Ford Probe, Mazda 626, MX-6	Outboard
87-9868	Discontinued	
87-9870	Mazda B2600 Pickup (4WD)	Outboard
87-9871	Ford Probe, Mazda 626, MX-6	Inboard
87-9872	Ford Probe, Mazda 626, MX-6	Inboard
87-9876	Dodge Plymouth Colt Vista, Hyundai Sonata, Mitsubishi Cordia, Galant, Tredia	Outboard
87-9877	Dodge Plymouth, Eagle, Mitsubishi Broad Coverage	Outboard
87-9878	Hyundai Elantra, Sonata, Tiburon, Mitsubishi Galant	Outboard
87-9879	Dodge Plymouth Colt Vista, Hyundai Sonata, Mitsubishi Galant Sigma	Outboard
87-9880	Mitsubishi Galant Sigma	Outboard
87-9881	Eagle Summit, Talon, Mitsubishi Eclipse, Galant, Expo, Plymoth Laser	Outboard
87-9882	Eagle Talon, Mitsubishi Eclipse, Galant, Plymouth Laser	Outboard
87-9883	Discontinued	
87-9884	Eagle Talon, Mitsubishi Eclipse, Galant, Plymouth Laser	Outboard
87-9885	Discontinued	
87-9886	Dodge/Plymouth Colt, Colt Vista, Eagle Summit, Talon, Mitsubishi Cordia, Eclipse, Expo, Galant, Mirage, Tredia	Inboard
87-9888	Nissan NX 2000, Sentra	Outboard
87-9889*	Nissan NX 2000, Sentra	Outboard
87-9890	Discontinued	
87-9891	Nissan Pulsar, Sentra	Outboard
87-9892	Nissan 200SX, NX 1600, Sentra	Inboard
87-9894*	Saab 9000	Outboard
87-9895	Saab 90, 900 (Domestic & International Models)	Outboard
87-9897	Discontinued	



C.V. JOINT BUYERS GUIDE

EMPI NO.	MAKE / MODEL	POSITION
87-9898	Subaru AWD, Hatchback, Brat	Outboard
87-9899	Subaru 2WD, AWD, Coupe, Loyale, Sedan & Wagon	Outboard
87-9900	Subaru 3 Dr. Coupe, Loyale, Sedan & Wagon, XT Coupe	Outboard
87-9901	Subaru 3 Dr. Coupe, Loyale, Sedan & Wagon, XT Coupe	Outboard
87-9902	Subaru Legacy	Outboard
87-9903	Subaru Impreza, Legacy, SVX	Outboard
87-9904	Subaru Impreza, Legacy	Outboard
87-9905	Subaru Justy	Outboard
87-9906	Subaru Justy	Outboard
87-9910	Replaced by 87-9731	
87-9911	Chevrolet Sprint, Suzuki SS80 (International Model)	Outboard
87-9912	Geo Metro, Suzuki Swift	Outboard
87-9913	Toyota Celica	Outboard
87-9914	Toyota Camry 4 Cyl.	Outboard
87-9915	Toyota Avalon, Camry 6 Cyl.	Outboard
87-9916	Audi 80 Quattro, 4000, 4000 Coupe, Fox, Ford Aerostar, Volkswagen Broad Coverage (90mm)	Both
87-9917	VW Transporter, Vanagon, Vanagon Syncro (Domestic) VW Combi (Int'l Model), (100mm)	Both
87-9918	Chevrolet/GMC Blazer, Jimmy, K1500/2500/3500, Suburban, Tahoe, Yukon	Outboard
87-9919	Cadillac, Chevrolet, GMC, Broad Coverage (SUV/Truck/Van)	Outboard
87-9922*	Ford Probe, Mazda 626, MX-6	Outboard
87-9923	Chevrolet/Geo Tracker, Suzuki Sidekick	Outboard
87-9928	Mazda 323, Mercury Capri	Outboard
87-9929	Ford Probe, Mazda 626, MX-6	Outboard
87-9930	Mazda MX-3, Mazda Protegé	Outboard
87-9931	Nissan, Datsun 310, F10, Pulsar	Outboard
87-9933*	Chrysler Concorde, LHS, New Yorker, Dodge Intrepid, Eagle Vision	Outboard
87-9934*	Dodge Neon, Plymouth Neon (Domestic & International Models)	Outboard
87-9935	Dodge/Plymouth Neon	Inboard
87-9936	Dodge/Plymouth Neon	Inboard
87-9937	Chrysler LeBaron, Town & Country, Dodge Caravan, Spirit, Plymouth Acclaim, Voyager	Inboard
87-9938	Chrysler LeBaron, Town & Country, Dodge Caravan, Spirit, Plymouth Acclaim, Voyager	Inboard
87-9939	Acura Legend	Outboard
87-9940	Chrysler, Dodge, Plymouth Broad Coverage	Inboard
87-9942	Suzuki Swift	Outboard
87-9943	Nissan 200 SX, NX 1600, Sentra	Outboard
87-9944	Toyota Camry 4 Cyl.	Outboard
87-9946	Sterling 825, 827	Outboard
87-9947*	Sterling 825, 827	Outboard
87-9948	Discontinued	
87-9949*	Lexus ES300, Toyota Avalon, Camry, Solara	Outboard
87-9950*	Volvo 850, C70, S70, V70 (Domestic & International Models)	Outboard
87-9953*	Chrysler, Dodge & Plymouth Broad Coverage	Outboard
87-9954	Ford Probe, Mazda 626, MX-6	Outboard
87-9955*	Ford Probe, Mazda 626, MX-6	Outboard
87-9956	Saab 900	Outboard
87-9957*	Saab 900	Outboard
87-9958*	Audi 4000 Quattro, 5000 Turbo	Outboard
87-9959*	Honda Accord	Outboard
87-9962*	Acura Integra	Outboard
87-9964	Buick, Cadillac, Chevrolet, Oldsmobile, Pontiac Broad Coverage	Outboard
87-9965	Chevrolet Blazer, S10, S15, GMC Jimmy, Sonoma, Syclone, Typhoon, Oldsmobile Bravada (4WD)	Outboard
87-9969	Ford, Escort, EXP, Tempo (Domestic Models), Ghia, Topaz (International Models), Mercury LN7, Lynx, Topaz	Outboard
87-9971	Ford Taurus, Windstar, Mercury Sable (Domestic & International Models)	Outboard

* ABS # Bearing and/or Flange + Double Spline



C.V. JOINT BUYERS GUIDE

EMPI NO.	MAKE / MODEL	POSITION
87-9972	Buick Century, Chevrolet Celebrity, Oldsmobile Ciera, Pontiac 6000	Outboard
87-9973	Chevrolet Lumina, Oldsmobile Cutlass Supreme, Pontiac Grand Prix	Outboard
87-9976	Chrysler LeBaron, Town & Country, Dodge Caravan, Spirit, Plymouth Acclaim, Voyager	Outboard
87-9977*	Chrysler LeBaron, Town & Country, Dodge Caravan, Spirit, Plymouth Acclaim, Voyager	Outboard
87-9978* Discontinued	
87-9980*	Ford Taurus, Lincoln Continental, Mercury Sable	Outboard
87-9981*	Acura Legend	Outboard
87-9982	Audi 80, 80 Quattro, 90, 90 Quattro, Coupe Quattro	Outboard
87-9983*	Audi 80, 80 Quattro, 90, 90 Quattro, Coupe Quattro	Outboard
87-9984*	Audi 100	Outboard
87-9988	Mazda Protégé	Inboard
87-9994*	Nissan Maxima	Outboard
87-9995	Nissan Altima, Maxima, Stanza	Inboard
87-9998+	Infiniti I30, Nissan Altima, Maxima (Double Spline)	Inboard
87-9999	Pontiac LeMans	Outboard



PROMOTIONAL ITEMS



EMPI Logo

Front



EMPI
POWER
RULES
EMPI Power
Rules Patch

Colorful blue cotton blend with orange and white racing stripe for the retro look!



Back

EMPI Logo

Orange/Blue Racing Stripe

EMPI Jacket

15-4062	EMPI Jacket, Blue/Orange/White, Medium
15-4063	EMPI Jacket, Blue/Orange/White, Large
15-4064	EMPI Jacket, Blue/Orange/White, X-Large
15-4065	EMPI Jacket, Blue/Orange/White, XX-Large



Back



Front

EMPI Racing Team T-Shirt

9860	Small
9861	Medium
9862	Large
9863	X-Large
9864	XX-Large

EMPI Axle Man T-Shirt

9865	Small
9866	Medium



Front



Back



PROMOTIONAL ITEMS

EMPI Deluxe Hat

- 9891 EMPI Deluxe Hat Navy/White
- 9892 EMPI Deluxe Hat Low Crown, Black
- 9893 EMPI Deluxe Hat (Silk Screen)



EMPI Decals

- 9810 1.75" X 1.5" EMPI Decal (100 Pcs.)
- 9811 7.75" X 5.5" EMPI Decal (10 Pcs.)
- 9815 3.5" X 2.25" EMPI Decal (100 Pcs.)

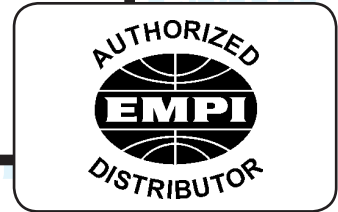
- 9812 22" X 14" EMPI Sign (Each)
- 9819 16" X 19" EMPI Authorized Distributor Decal, Two Sided Window Sticker (Each)



9810, 9811, 9815



9812

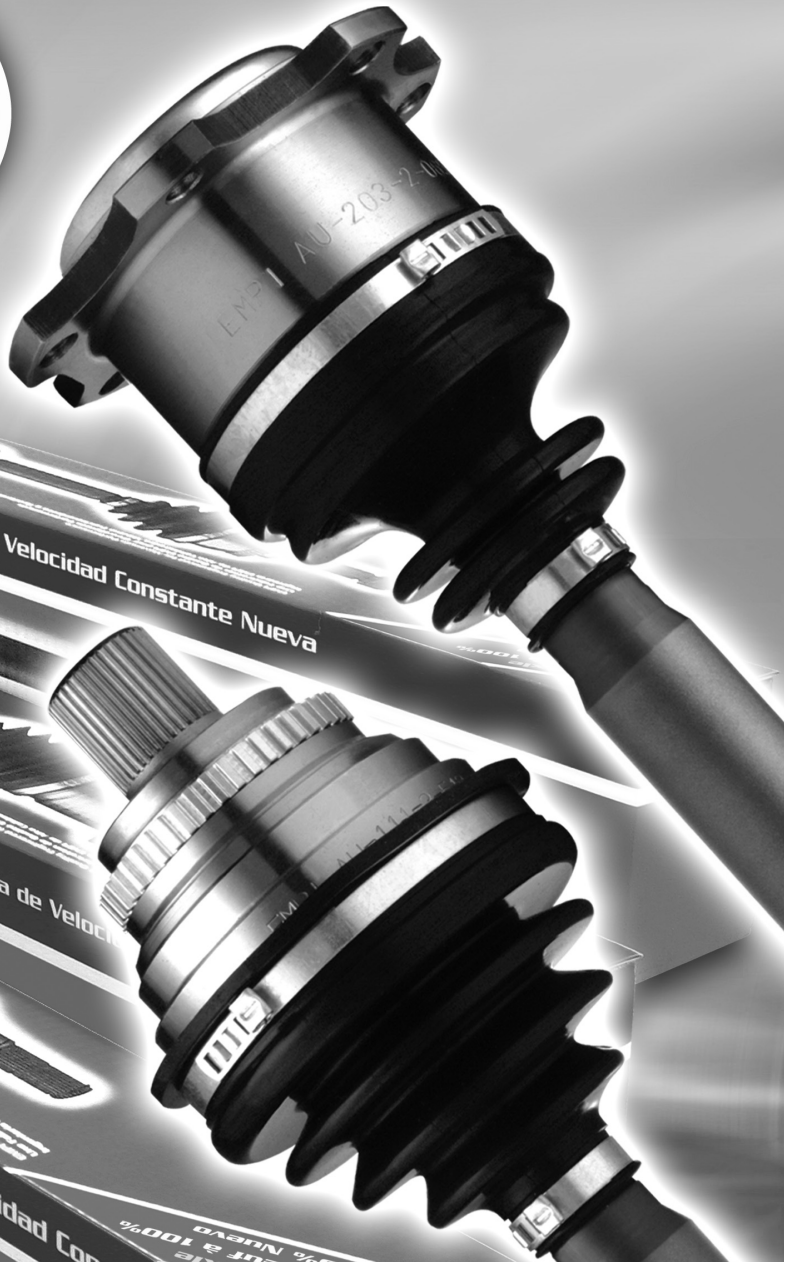


9819

EMPI Coffee Mug

- 9898 EMPI Axle Man Coffee Mug





NEW COMPLETE DRIVE AXLES

Introducing....
the all new EMPI website!
www.empius.com

Features:

- * **Our complete line just a click away**
- * **Easy navigation**
- * **Advanced search options**
- * **Includes all updates**
- * **Updated regularly**





NOTES