



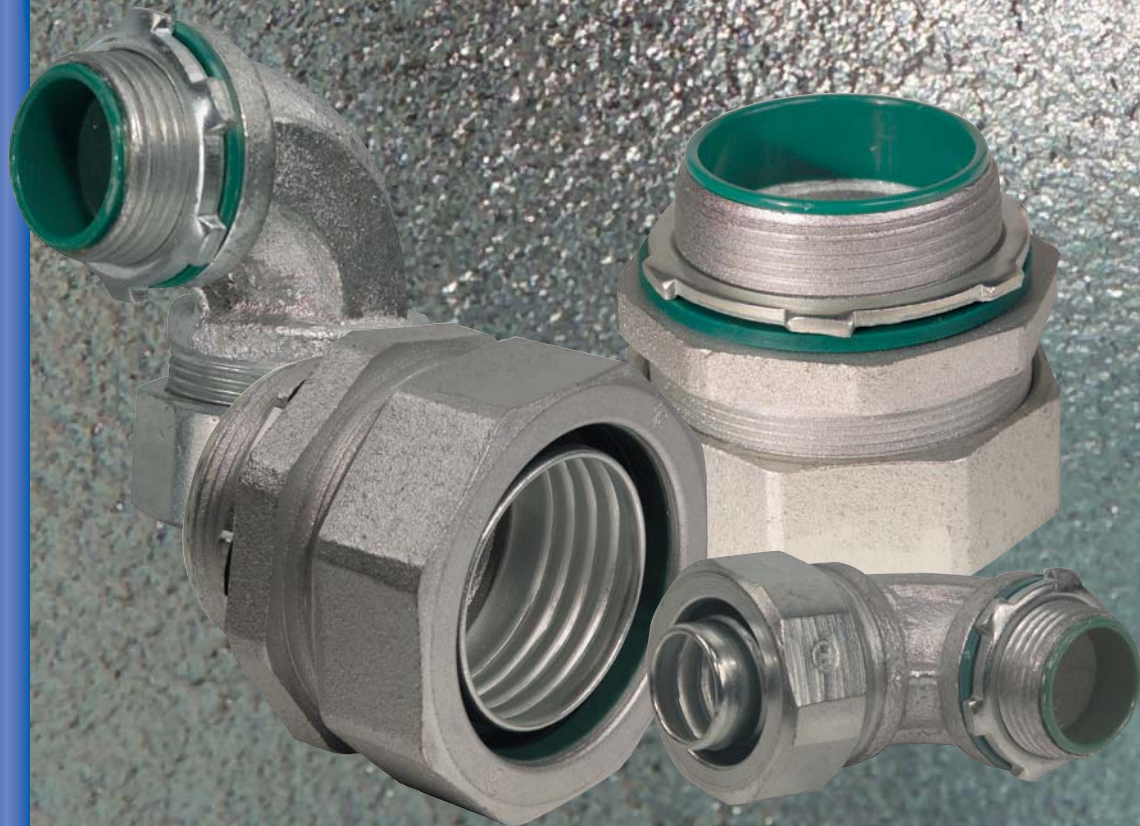
ELECOR™

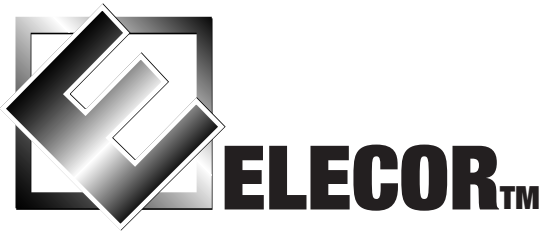
- *Compact, slim diameter design*
- *Long ferrule prevents conduit pull out*
- *Furnished exclusively with insulated throat*



Malleable Iron Liquid Tight Connectors Catalog

**STRAIGHT,
45° AND 90°**





Straight Liquid Tight Connectors Compression Type Insulated Throat



QM2122

Applications

- For use in outdoor or indoor locations with flexible metallic liquid tight conduit and type B flexible non-metallic liquid tight conduit.
- Elecor liquid tight connectors are suitable for use in the following hazardous locations under NEC 501-4(b) 502-4(a)(2); Class I, Div. 2; Class II, Div. 1 and 2; and Class III, Div. 1 and 2 and are suitable for grounding in sizes 3/8" through 1 1/4" under NEC 351-1.

Features

- All malleable construction ensures mechanical protection for the raceway.
- Liquid tight/rain tight/oil tight.
- Compact, slim diameter.
- Long ferrule prevents pullout & tight bend conduit pop out.
- Suitable for wet locations.
- All connectors furnished with insulated throat.

Material / Finish

Malleable iron/Zinc electro-plated

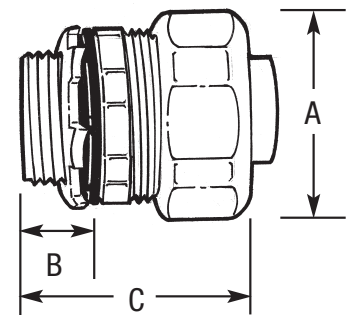
Compliances

cULus listed

Standards

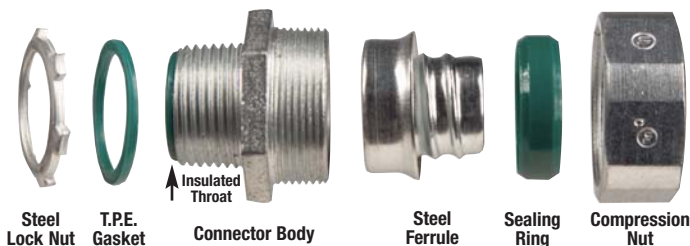
UL Standard: 514B
Nema: FB-1
Federal Spec: W-F-408E

CATALOG NUMBER	UPC/DCI/NAED #*	TRADE SIZE	CTN. QTY.	CASE QTY.	WEIGHT PER C	CASE WT.
QM2120	00385	3/8"	50	200	13	26.0
QM2121	00386	1/2"	50	200	15	30.0
QM2122	00387	3/4"	25	100	23	23.0
QM2123	00388	1"	10	10	31	3.1
QM2124	00389	1 1/4"	10	10	60	6.0
QM2125	00390	1 1/2"	5	5	71	3.6
QM2126	00391	2"	5	5	108	5.4
QM2127	00392	2 1/2"	1	1	231	2.3
QM2128	00393	3"	1	1	360	3.6
QM2129	00394	3 1/2"	1	1	440	4.4
QM2130	00395	4"	1	1	550	5.5



DIMENSIONS

CATALOG NUMBER	TRADE SIZE	KO SIZE	DIM. A	DIM. B	DIM. C
QM2120	3/8"	1/2"	1.09	0.55	1.42
QM2121	1/2"	1/2"	1.22	0.55	1.46
QM2122	3/4"	3/4"	1.46	0.59	1.68
QM2123	1"	1"	1.71	0.64	1.87
QM2124	1 1/4"	1 1/4"	2.20	0.66	1.91
QM2125	1 1/2"	1 1/2"	2.40	0.72	2.12
QM2126	2"	2"	2.91	0.74	2.22
QM2127	2 1/2"	2 1/2"	3.66	1.02	3.01
QM2128	3"	3"	4.40	1.06	3.24
QM2129	3 1/2"	3 1/2"	4.96	1.10	3.34
QM2130	4"	4"	5.55	1.14	3.66



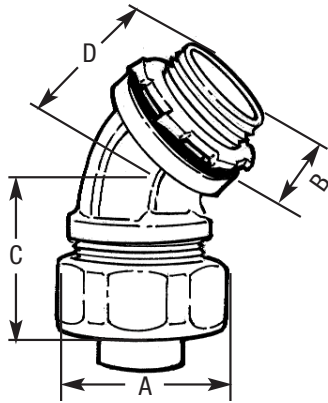
*Add the prefix 870263 to any Elecor UPC/DCI/NAED # to obtain the 11 digit Elecor UPC no.

45° Liquid Tight Connectors Compression Type Insulated Throat



QM2422

CATALOG NUMBER	UPC/DCI/NAED #*	TRADE SIZE	CTN. QTY.	CASE QTY.	WEIGHT PER C	CASE WT.
QM2420	00501	3/8"	25	25	20	5.0
QM2421	00502	1/2"	25	25	22	5.5
QM2422	00503	3/4"	25	25	32	8.0
QM2423	00504	1"	10	10	59	5.9
QM2424	00505	1 1/4"	10	10	97	9.7
QM2425	00506	1 1/2"	5	5	116	5.8
QM2426	00507	2"	5	5	174	8.7
QM2427	00508	2 1/2"	1	1	459	4.6
QM2428	00509	3"	1	1	551	5.5
QM2429	00510	3 1/2"	1	1	833	8.3
QM2430	00511	4"	1	1	1036	10.4



DIMENSIONS

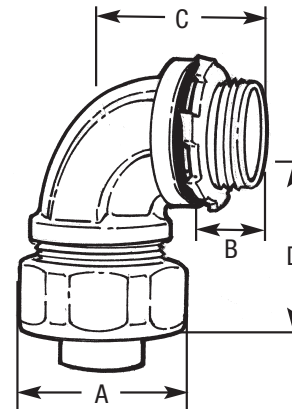
CATALOG NUMBER	TRADE SIZE	KO SIZE	DIM. A	DIM. B	DIM. C	DIM. D
QM2420	3/8"	1/2"	1.09	0.55	1.22	0.98
QM2421	1/2"	1/2"	1.22	0.55	1.24	1.06
QM2422	3/4"	3/4"	1.46	0.59	1.26	1.10
QM2423	1"	1"	1.71	0.64	1.48	1.34
QM2424	1 1/4"	1 1/4"	2.20	0.66	1.77	1.44
QM2425	1 1/2"	1 1/2"	2.40	0.72	1.95	1.57
QM2426	2"	2"	2.91	0.74	2.24	1.69
QM2427	2 1/2"	2 1/2"	3.66	1.02	3.50	2.76
QM2428	3"	3"	4.40	1.06	3.56	2.87
QM2429	3 1/2"	3 1/2"	4.96	1.10	3.73	2.95
QM2430	4"	4"	5.55	1.14	3.89	3.07

90° Liquid Tight Connectors Compression Type Insulated Throat



QM2522

CATALOG NUMBER	UPC/DCI/NAED #*	TRADE SIZE	CTN. QTY.	CASE QTY.	WEIGHT PER C	CASE WT.
QM2520	00407	3/8"	25	100	20	20.0
QM2521	00408	1/2"	25	100	26	26.0
QM2522	00409	3/4"	25	100	44	44.0
QM2523	00410	1"	10	10	67	6.7
QM2524	00411	1 1/4"	10	10	105	10.5
QM2525	00412	1 1/2"	5	5	134	6.7
QM2526	00413	2"	5	5	211	10.6
QM2527	00414	2 1/2"	1	1	557	5.6
QM2528	00415	3"	1	1	820	8.2
QM2529	00416	3 1/2"	1	1	947	9.5
QM2530	00417	4"	1	1	1212	12.1



DIMENSIONS

CATALOG NUMBER	TRADE SIZE	KO SIZE	DIM. A	DIM. B	DIM. C	DIM. D
QM2520	3/8"	1/2"	1.09	0.55	1.14	1.30
QM2521	1/2"	1/2"	1.22	0.55	1.18	1.42
QM2522	3/4"	3/4"	1.46	0.59	1.42	1.54
QM2523	1"	1"	1.71	0.64	1.65	1.85
QM2524	1 1/4"	1 1/4"	2.20	0.66	1.69	1.97
QM2525	1 1/2"	1 1/2"	2.40	0.72	1.89	2.24
QM2526	2"	2"	2.91	0.74	2.04	2.64
QM2527	2 1/2"	2 1/2"	3.66	1.02	3.54	4.33
QM2528	3"	3"	4.40	1.06	3.82	4.53
QM2529	3 1/2"	3 1/2"	4.96	1.10	4.13	4.57
QM2530	4"	4"	5.55	1.14	4.22	4.61

*Add the prefix 870263 to any Elecor UPC/DCI/NAED # to obtain the 11 digit Elecor UPC no.

Elecor*	Non-Insulated Throat					
	O.Z.	Raco	T & B	Bridgeport	Appleton	C-H
QM2120	4Q-38	3401	5231	429-SLT	ST-38	LT-38
QM2121	4Q-50	3402	5232	430-SLT	ST-50	LT-50
QM2122	4Q-75	3403	5233	431-SLT	ST-75	LT-75
QM2123	4Q-100	3404	5234	432-SLT	ST-100	LT-100
QM2124	4Q-125	3405	5235	433-SLT	ST-125	LT-125
QM2125	4Q-150	3406	5236	434-SLT	ST-150	LT-150
QM2126	4Q-200	3408	5237	435-SLT	ST-200	LT-200
QM2127	4Q-250	3410	5238	436-SLT	ST-250	LT-250
QM2128	4Q-300	3412	5239	437-SLT	ST-300	LT-300
QM2129	4Q-350	3414		438-SLT	ST-350	LT-350
QM2130	4Q-400	3416	5240	439-SLT	ST-400	LT-400
QM2420	4Q-438	3441	5241	449-SLT	ST-4538	LT-3845
QM2421	4Q-450	3442	5242	450-SLT	ST-4550	LT-5045
QM2422	4Q-475	3443	5243	451-SLT	ST-4575	LT-7545
QM2423	4Q-4100	3444	5244		ST-45100	LT-10045
QM2424	4Q-4125	3445	5245		ST-45125	LT-12545
QM2425	4Q-4150	3446	5246		ST-45150	LT-15045
QM2426	4Q-4200	3448	5247		ST-45200	LT-20045
QM2427	4Q-4250		5248		ST-45250	LT-25045
QM2428	4Q-4300		5249		ST-45300	LT-30045
QM2429						LT-35045
QM2430	4Q-4400		5250		ST-45400	LT-40045
QM2520	4Q-938	3421	5251	469-SLT	ST-9038	LT-3890
QM2521	4Q-950	3422	5252	470-SLT	ST-9050	LT-5090
QM2522	4Q-975	3423	5253	471-SLT	ST-9075	LT-7590
QM2523	4Q-9100	3424	5254	472-SLT	ST-90100	LT-10090
QM2524	4Q-9125	3425	5255	473-SLT	ST-90125	LT-12590
QM2525	4Q-9150	3426	5256	474-SLT	ST-90150	LT-15090
QM2526	4Q-9200	3428	5257	475-SLT	ST-90200	LT-20090
QM2527	4Q-9250	3430	5258	476-SLT	ST-90250	LT-25090
QM2528	4Q-9300	3432	5259	477-SLT	ST-90300	LT-30090
QM2529				478-SLT		LT-35090
QM2530	4Q-9400	3436	5260	479-SLT	ST-90400	LT-40090

Elecor*	Insulated Throat					
	O.Z.	Raco	T & B	Bridgeport	Appleton	C-H
QM2120	4Q-38T	3511	5331	429-SLTI	STB-38	LTB-38
QM2121	4Q-50T	3512	5332	430-SLTI	STB-50	LTB-50
QM2122	4Q-75T	3513	5333	431-SLTI	STB-75	LTB-75
QM2123	4Q-100T	3514	5334	432-SLTI	STB-100	LTB-100
QM2124	4Q-125T	3515	5335	433-SLTI	STB-125	LTB-125
QM2125	4Q-150T	3516	5336	434-SLTI	STB-150	LTB-150
QM2126	4Q-200T	3518	5337	435-SLTI	STB-200	LTB-200
QM2127	4Q-250T	3520	5338	436-SLTI	STB-250	LTB-250
QM2128	4Q-300T	3522	5339	437-SLTI	STB-300	LTB-300
QM2129	4Q-350T	3524		438-SLTI	STB-350	LTB-350
QM2130	4Q-400T	3526	5340	439-SLTI	STB-400	LTB-400
QM2420	4Q-438T	3561	5341	449-SLTI	STB4538	LTB-3845
QM2421	4Q-450T	3562	5342	450-SLTI	STB4550	LTB-5045
QM2422	4Q-475T	3563	5343	451-SLTI	STB4575	LTB-7545
QM2423	4Q-4100T	3564	5344		STB45100	LTB-10045
QM2424	4Q-4125T	3565	5345		STB45125	LTB-12545
QM2425	4Q-4150T	3566	5346		STB45150	LTB-15045
QM2426	4Q-4200T	3568	5347		STB45200	LTB-20045
QM2427	4Q-4250T		5348		STB45250	LTB-25045
QM2428	4Q-4300T		5349		STB45300	LTB-30045
QM2429						LTB-35045
QM2430	4Q-4400T		5350		STB45400	LTB-40045
QM2520	4Q-938T	3541	5351	469-SLTI	STB-9038	LTB-3890
QM2521	4Q-950T	3542	5352	470-SLTI	STB-9050	LTB-5090
QM2522	4Q-975T	3543	5353	471-SLTI	STB-9075	LTB-7590
QM2523	4Q-9100T	3544	5354	472-SLTI	STB-90100	LTB-10090
QM2524	4Q-9125T	3545	5355	473-SLTI	STB-90125	LTB-12590
QM2525	4Q-9150T	3546	5356	474-SLTI	STB-90150	LTB-15090
QM2526	4Q-9200T	3548	5357	475-SLTI	STB-90200	LTB-20090
QM2527	4Q-9250T	3550	5358	476-SLTI	STB-90250	LTB-25090
QM2528	4Q-9300T	3552	5359	477-SLTI	STB-90300	LTB-30090
QM2529				478-SLTI		LTB-35090
QM2530	4Q-9400T	3556	5360	479-SLTI	STB-90400	LTB-40090

DISTRIBUTOR TERMS AND CONDITIONS

GENERAL INFORMATION:

AGREEMENT: These Terms and Conditions and the provisions hereof constitute the entire agreement between Elecor Mfg. and the buyer and supercede all statements, representations and agreements, oral or written made by the parties or their representatives including, without limitation, conflicting or different provisions of Buyer's purchase order. No modification or addition to this agreement shall be binding upon Mfg., unless specifically set forth in writing, signed by Elecor Mfg.

TERMS: 2% 10th prox., NET 25th of month. Invoices dated 1st through the 25th are due the 10th of the following month to qualify for the 2% cash discount. Invoices dated 26th through 31st, inclusive, are payable the 10th of the next following month to qualify for the 2% cash discount. After the 25th of the following month, a monthly service charge of 11/2% will be applied, unless that rate exceeds the maximum lawful rate, then the maximum lawful rate will be used.

PRICES: Pricing is subject to change without prior notice. Orders will be invoiced at the pricing in effect at the time of shipment unless otherwise stated. Price quotations will be valid for thirty (30) days from the date of quotation unless expressly written otherwise by Elecor Mfg.

MINIMUM BILLING: A minimum billing charge of \$100.00 net will be made on all orders. Next day express shipments are not subject to minimum billing requirements.

BROKEN CARTONS: Orders for broken cartons will not be allowed. Orders will be increased to full carton quantities and invoiced accordingly.

DELIVERY: Qualified shipments, within the continental U.S., will be made prepaid by surface freight, F.O.B. shipping point, to one destination. Freight on qualified shipments to destinations outside the Continental U.S. (including Alaska and Hawaii) will be prepaid and allowed to the U.S. port of export only. Elecor Mfg. reserves the right to use its own discretion in routing shipments for which Elecor Mfg. assumes transportation charges. If the purchaser specifies a more expensive routing, the purchaser must assume all transportation charges. Premium freight charges are the responsibility of the purchaser and are not subject to cash discount.

SHIPPING AND FREIGHT TERMS: Orders valued less than \$1,000.00 Distributor Net Cost will be subject to actual transportation charges as invoiced by the carrier.

WEIGHTS AND DIMENSIONS: Catalog weight and dimensions are approximate and subject to change without notice.

ORDER ACCEPTANCE: All sales are expressly limited to these terms and conditions and the right and intentions of the parties shall be governed exclusively by terms and conditions hereof. Where there is any conflict as to whether the Seller's terms and conditions govern the contract, receipt and acceptance, whether under protest or otherwise, of the materials and supplies delivered hereunder shall be conclusive evidence of the acceptance by the purchaser of the contract on all the Seller's terms. Elecor Mfg. accepts orders and bills at current published prices and terms even though incorrect prices and terms may appear on the Purchaser's order.

CLAIMS: Claims by purchaser for billing errors, shortages, damages, freight charges or allowances of any kind must be made within 30 days from receipt of material.

A. Shortages/Damages: Under FOB shipping point terms, title of the material passes to the distributor when Elecor Mfg. delivers the material to the carrier. It is the distributor's responsibility to resolve all shortage and damage claims directly with the carrier.

B. Payment Responsibility: Any claim against Elecor Mfg. does not alter the distributor's responsibility to pay invoices when due.

CANCELLATION: Orders for Specials, or standard goods in quantities larger than normal inventory, may NOT be cancelled once the order is placed in production.

TAXES: Published or quoted prices do not include sales taxes, excise, or similar taxes. Purchaser must pay all taxes.

SHIPPING DATE AND DELIVERY: Every effort will be made to fill orders within the time stated. Under NO circumstances will seller be responsible for or the purchaser(s) entitled to consequential damages arising out of or owing to any delays in delivery whatever or for causes beyond seller's reasonable control.

Shipping date and delivery specified are subject to any priorities or allocations necessitated by government orders or regulations, and time and manner of delivery are subject to any delay on the part of the purchaser(s) in supplying necessary data, or by any changes in data at the purchaser(s) insistence, and/or to delays caused by fire, floods, strikes, lockouts, riots, war, breakdowns, priorities or embargoes, accidents, civil or military authority, shortages of labor, delay in suppliers (or supplies) of material, difficulty in obtaining raw material, and any other cause beyond seller's reasonable control. Delay in delivery for any of the aforementioned causes shall proportionately extend the time of delivery hereunder. Seller shall be compensated for any and all extra costs and expenses occasioned by delays attributable to the purchaser(s).

WARRANTY: Elecor Mfg. warrants its products for defects in material only, for a period of one year from the date of shipment from its plant or warehouse. Elecor Mfg. shall not be held responsible for any damages incurred over and above the price of the products sold or any unauthorized repair. This warranty shall not apply to any product that shows evidence of neglect, misuse or improper installation, or that has been repaired or altered by any party other than this company. This warranty is and shall be in lieu of all other warranties, expressed or implied.

RETURNED GOODS: Elecor Mfg. agrees to accept from its distributor's stock only the return of products for merchandise credit subject to the following terms and conditions:

1. All requests for return authorizations must be submitted through your Elecor Mfg. Representative.
2. Material to be returned must be in original standard quantity cartons. Special orders, used, or damaged items will not be accepted. Unacceptable material will be destroyed and will not qualify for credit.
3. Returns will not be accepted unless accompanied by an Elecor Mfg. "Return Material Authorization" (RMA).
4. Minimum value of returns must not be less than \$100.00 Dist. Net Cost, after restocking charge, if applicable.
5. Credit will not be issued for items not listed on the RMA.
6. Within 60 days of issuance, all returns must be shipped freight prepaid, unless otherwise instructed, to the Elecor Mfg. warehouse specified on the RMA.
7. Credit will be given only for those products authorized on the RMA. Any non-authorized material will be scrapped or returned to distributor, freight collect, at the discretion of Elecor Mfg.
8. A merchandise credit will be issued at the prices reflected on the original invoice.
9. Deductions for returned material are not allowed. A credit memo will be issued after material has been received and inspected by our warehouse.
10. A 20% handling/restocking will be charged on returned material not related to an Elecor Mfg. error.

CONTACT: ELECOR Mfg. LLC
 13 Wood Street West Haven, CT 06516
 1.888.466.8600 Fax: 203.937.3028
 info@elecorfittings.com