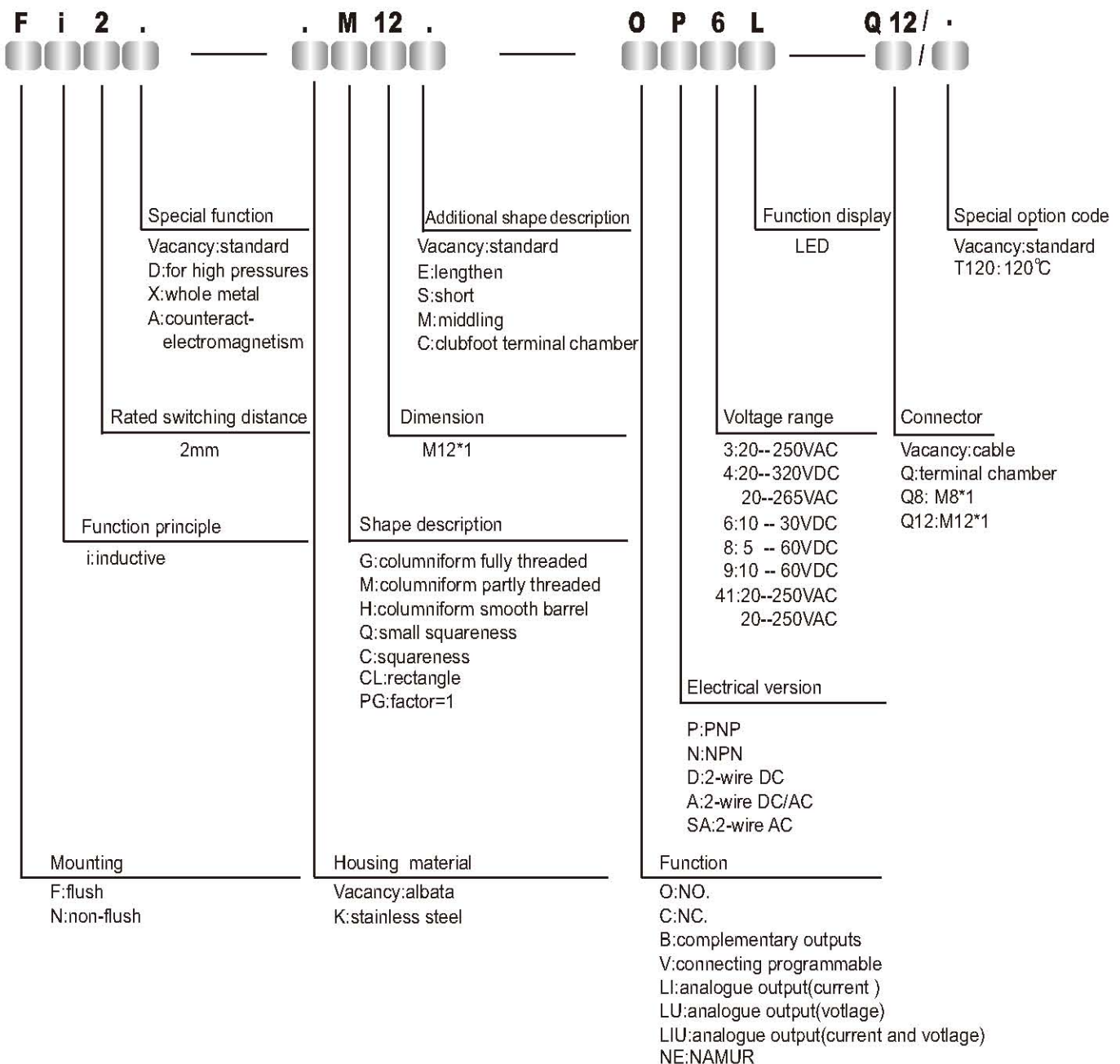


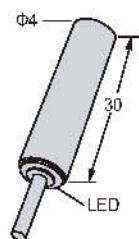
Inductive sensors–Type code

Only for identification of existing type designations



DC 3

Dimension plan:



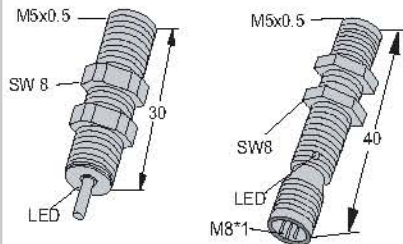
PNP N.O. N.C. N.O+N.C	Fi1-KH04-OP6L Fi1-KH04-CP6L	
NPN N.O. N.C. N.O+N.C	Fi1-KH04-ON6L Fi1-KH04-CN6L	
Rated operating distance	1mm	
Mounting	Flush	
Voltage range	10..30VDC	
DC rated operating current	$\leq 100\text{mA}$	
Display switch state	LED yellow	
Ambient temperature	25...70 °C	
Switching frequency	2500Hz	
Protection degree	IP67	
Housing material	stainless steel	
Connection	Cable	
Wiring diagram (EN 98)	wiring diagram 1	
Certificates		

Metal cylinder- M5

DC 3



Dimension plan :



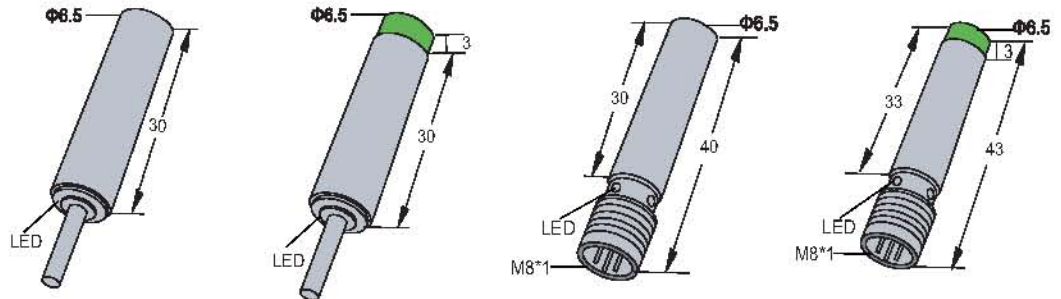
PNP N.O N.C N.O+N.C	Fi1-KM05-OP6L Fi1-KM05-CP6L	Fi1-KM05-OP6L-Q8 Fi1-KM05-CP6L-Q8	
NPN N.O N.C N.O+N.C	Fi1-KM05-ON6L Fi1-KM05-CN6L	Fi1-KM05-ON6L-Q8 Fi1-KM05-CN6L-Q8	
Rated operating distance	1mm		
Mounting	Flush		
Voltage range	10...30VDC		
DC rated operating current	≤100mA		
Display switch state	LED yellow		
Ambient temperature	-25... 70°C		
Switching frequency	2500Hz		
Protection degree	IP67		
Housing material	stainless steel		
Connection	Cable	M8 Connector	
Wiring diagram (IEC 98)	wiring diagram 1		
Certificates	CE		

Metal cylinder- H6.5

DC 2



Dimension plan:



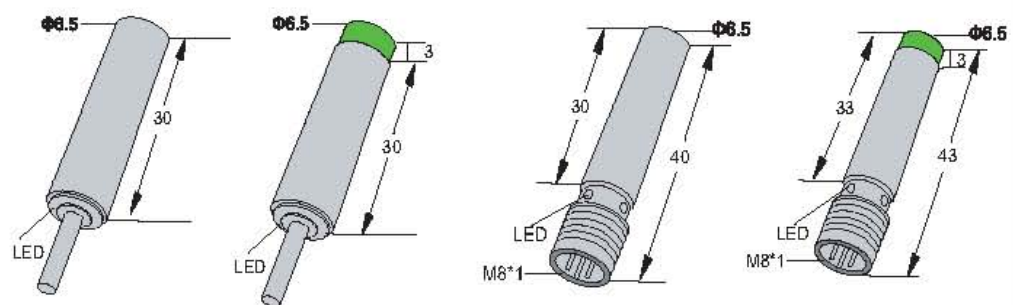
DC N.O. N.C.	F11.5-KH6.5S-OD6L F11.5-KH6.5S-CD6L	Ni2-KH6.5S-OD6L Ni2-KH6.5S-CD6L	F11.5-KH6.5S-OD6L-Q8 F11.5-KH6.5S-CD6L-Q8	Ni2-KH6.5S-OD6L-Q8 Ni2-KH6.5S-CD6L-Q8
AC N.O. N.C.				
DC/AC N.O. N.C.				
Rated operating distance	1.5mm	2mm	1.5mm	2mm
Mounting	Flush	non-Flush	Flush	non-Flush
Voltage range	10...30VDC		10...30VDC	
DC rated operating current	≤100mA		≤100mA	
Display switch state	LED yellow		LED yellow	
Ambient temperature	-25...70 °C		-25...70 °C	
Switching frequency	1000Hz	800Hz	1000Hz	800Hz
Protection degree	IP67		IP67	
Housing material	stainless steel		stainless steel	
Connection	Cable		M8 Connector	
wiring diagram (98)	wiring diagram 4		wiring diagram 4	
Certificates	CE		CE	

Metal cylinder - H6.5

DC 3



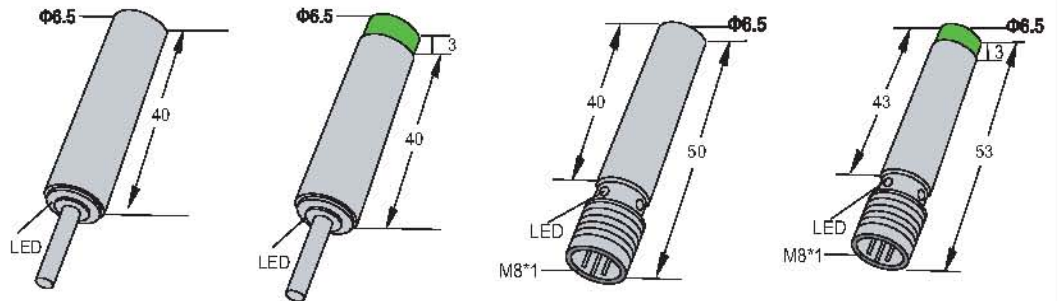
Dimension plan:



DC N.O. N.C.	Fi1.5-KH6.5S-OP6L	Ni2-KH6.5S-OP6L	Fi1.5-KH6.5S-OP6L-Q8	Ni2-KH6.5S-OP6L-Q8
AC N.O. N.C.	Fi1.5-KH6.5S-CP6L	Ni2-KH6.5S-CP6L	Fi1.5-KH6.5S-CP6L-Q8	Ni2-KH6.5S-CP6L-Q8
DC/AC N.O. N.C.	Fi1.5-KH6.5S-ON6L	Ni2-KH6.5S-ON6L	Fi1.5-KH6.5S-ON6L-Q8	Ni2-KH6.5S-ON6L-Q8
	Fi1.5-KH6.5S-CN6L	Ni2-KH6.5S-CN6L	Fi1.5-KH6.5S-CN6L-Q8	Ni2-KH6.5S-CN6L-Q8
Rated operating distance	1.5mm	2mm	1.5mm	2mm
Mounting	Flush	non-Flush	Flush	non-Flush
Voltage range	10...30VDC		10...30VDC	
DC rated operating current	≤150mA		≤150mA	
Display switch state	LED yellow		LED yellow	
Ambient temperature	-25... 70 °C		-25... 70 °C	
Switching frequency	2000Hz	1500Hz	2000Hz	1500Hz
Protection degree	IP67		IP67	
Housing material	stainless steel		stainless steel	
Connection	Cable		M8 Connector	
wiring diagram (# 98)	wiring diagram 1		wiring diagram 1	
Certificates	CE		CE	

DC 3

Dimension plan :



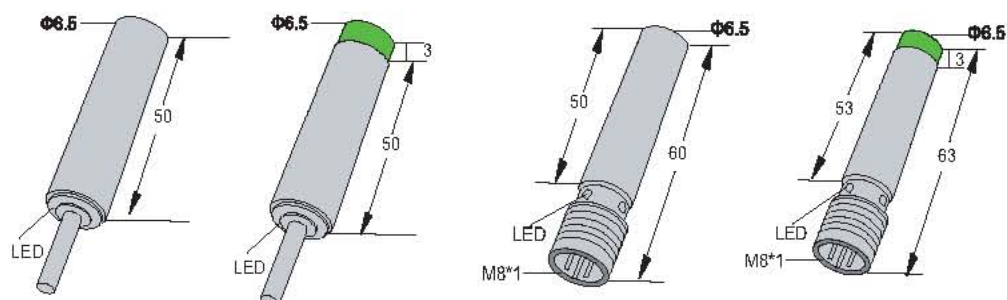
PNP N.O N.C N.O+N.C	Fi1.5-KH6.5-OP6L	Ni2-KH6.5-OP6L	Fi1.5-KH6.5-OP6L-Q8	Ni2-KH6.5-OP6L-Q8
	Fi1.5-KH6.5-CP6L	Ni2-KH6.5-CP6L	Fi1.5-KH6.5-CP6L-Q8	Ni2-KH6.5-CP6L-Q8
NPN N.O N.C N.O+N.C	Fi1.5-KH6.5-ON6L	Ni2-KH6.5-ON6L	Fi1.5-KH6.5-ON6L-Q8	Ni2-KH6.5-ON6L-Q8
	Fi1.5-KH6.5-CN6L	Ni2-KH6.5-CN6L	Fi1.5-KH6.5-CN6L-Q8	Ni2-KH6.5-CN6L-Q8
Rated operating distance	1.5mm	2mm	1.5mm	2mm
Mounting	Flush	non-Flush	Flush	non-Flush
Voltage range	10...30VDC		10...30VDC	
DC rated operating current	≤150mA		≤150mA	
Display switch state	LED yellow		LED yellow	
Ambient temperature	-25...70°C		-25...70°C	
Switching frequency	2000Hz	1500Hz	2000Hz	1500Hz
Protection degree	IP67		IP67	
Housing material	stainless steel		stainless steel	
Connection	Cable		M8 Connector	
Wiring diagram (98)	wiring diagram 1		wiring diagram 1	
Certificates	CE		CE	

Metal cylinder- H6.5

DC 3



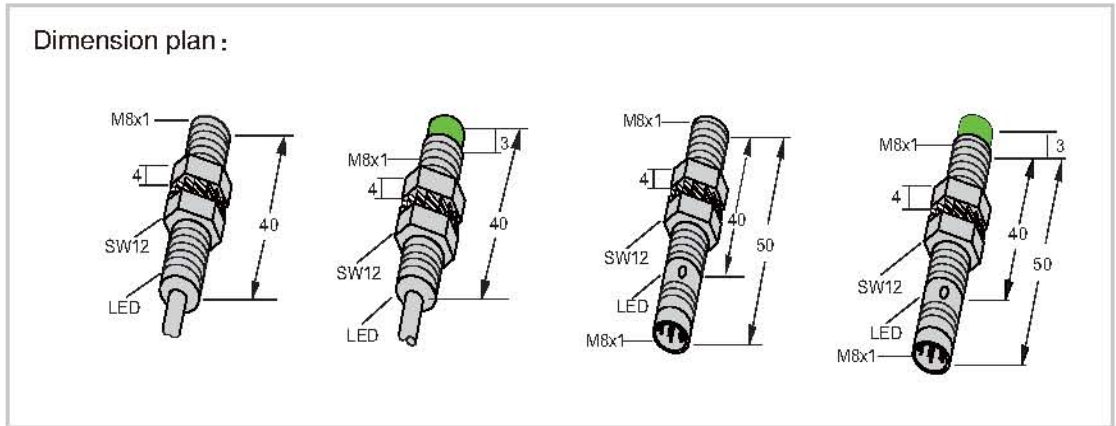
Dimension plan :



PNP	N.O	Fi1.5-KH6.5E-OP6L	Ni2-KH6.5E-OP6L	Fi1.5-KH6.5E-OP6L-Q8	Ni2-KH6.5E-OP6L-Q8
	N.C N.O+N.C	Fi1.5-KH6.5E-CP6L	Ni2-KH6.5E-CP6L	Fi1.5-KH6.5E-CP6L-Q8	Ni2-KH6.5E-CP6L-Q8
NPN	N.O	Fi1.5-KH6.5E-ON6L	Ni2-KH6.5E-ON6L	Fi1.5-KH6.5E-ON6L-Q8	Ni2-KH6.5E-ON6L-Q8
	N.C N.O+N.C	Fi1.5-KH6.5E-CN6L	Ni2-KH6.5E-CN6L	Fi1.5-KH6.5E-CN6L-Q8	Ni2-KH6.5E-CN6L-Q8
Rated operating distance		1.5mm	2mm	1.5mm	2mm
Mounting		Flush	non-Flush	Flush	non-Flush
Voltage range		10...30VDC		10...30VDC	
DC rated operating current		≤150mA		≤150mA	
Display switch state		LED yellow		LED yellow	
Ambient temperature		-25... 70 °C		-25... 70 °C	
Switching frequency		2000Hz	1500Hz	2000Hz	1500Hz
Protection degree		IP67		IP67	
Housing material		stainless steel		stainless steel	
Connection		Cable		M8 Connector	
Wiring diagram (see 98)		wiring diagram 1		wiring diagram 1	
Certificates		CE		CE	

DC 3

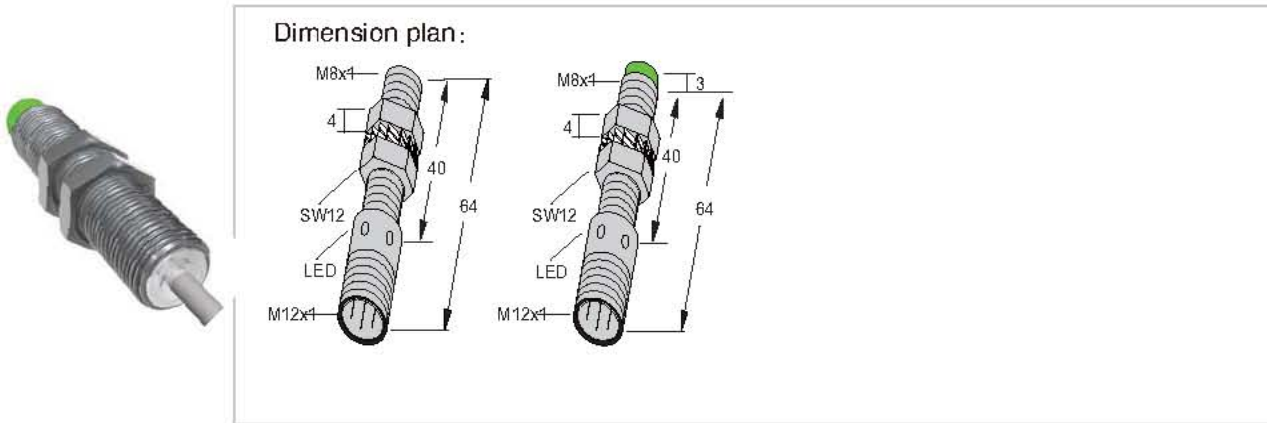
Dimension plan :



PNP	N.O	F12-KM08-OP6L	N13-KM08-OP6L	F12-KM08-OP6L-Q8	N13-KM08-OP6L-Q8
	N.C N.O+N.C	F12-KM08-CP6L	N13-KM08-CP6L	F12-KM08-CP6L-Q8	N13-KM08-CP6L-Q8
NPN	N.O	F12-KM08-ON6L	N13-KM08-ON6L	F12-KM08-ON6L-Q8	N13-KM08-ON6L-Q8
	N.C N.O+N.C	F12-KM08-CN6L	N13-KM08-CN6L	F12-KM08-CN6L-Q8	N13-KM08-CN6L-Q8
Rated operating distance		2mm	3mm	2mm	3mm
Mounting		Flush	non-Flush	Flush	non-Flush
Voltage range		10...30VDC		10...30VDC	
DC rated operating current		≤150mA		≤150mA	
Display switch state		LED yellow		LED yellow	
Ambient temperature		-25... 70 °C		-25... 70 °C	
Switching frequency		1000Hz	600Hz	1000Hz	600Hz
Protection degree		IP67		IP67	
Housing material		stainless steel		stainless steel	
Connection		2M Cable		M8 Connector	
Wiring diagram (EN 98)		wiring diagram 1		wiring diagram 1	
Certificates		CE		CE	

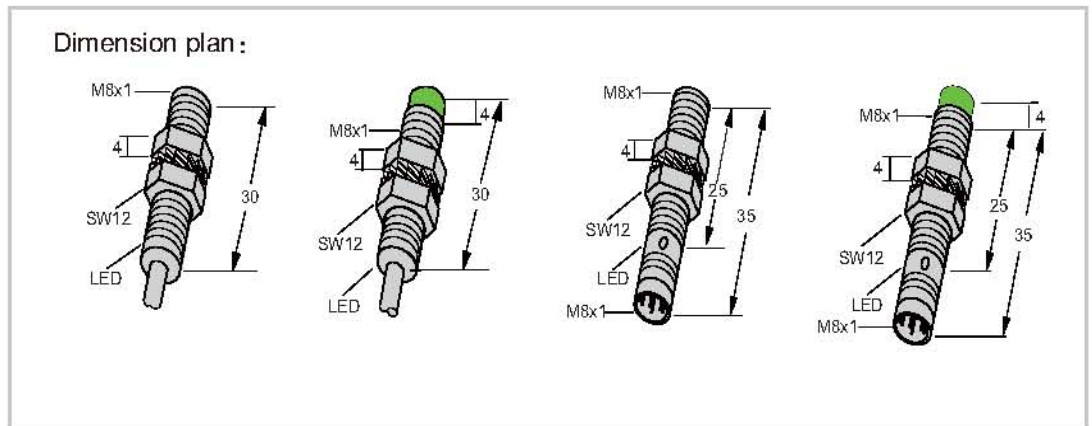
Metal cylinder- M8

DC 3



PNP N.O. N.C. N.O+N.C	Fi2-KM08-OP6L-Q12 Fi2-KM08-CP6L-Q12	Ni3-KM08-OP6L-Q12 Ni3-KM08-CP6L-Q12	
NPN N.O. N.C. N.O+N.C	Fi2-KM08-ON6L-Q12 Fi2-KM08-CN6L-Q12	Ni3-KM08-ON6L-Q12 Ni3-KM08-CN6L-Q12	
Rated operating distance	2mm	3mm	
Mounting	Flush	non-Flush	
Voltage range	10...30VDC		
DC rated operating current	≤150mA		
Display switch state	LED yellow		
Ambient temperature	-25...70 °C		
Switching frequency	1000Hz	600Hz	
Protection degree	IP67		
Housing material	stainless steel		
Connection	M12 Connector		
Wiring diagram (98)	wiring diagram 1		
Certificates	CE		

DC 3



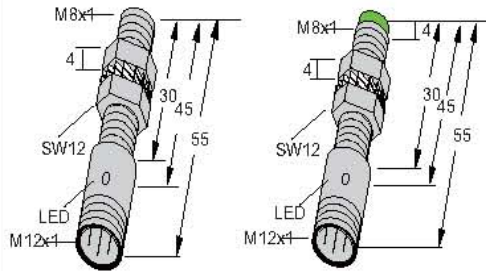
PNP N.O N.C N.O+N.C	F12-G08-OP6L	NI3-G08-OP6L	F12-G08-OP6L-Q8	NI3-G08-OP6L-Q8
	F12-G08-ON6L	NI3-G08-ON6L	F12-G08-ON6L-Q8	NI3-G08-ON6L-Q8
NPN N.O N.C N.O+N.C				
Rated operating distance	2mm	3mm	2mm	3mm
Mounting	Flush	non-Flush	Flush	non-Flush
Voltage range	10 ... 30VDC		10 ... 30VDC	
DC rated operating current	≤100mA		≤100mA	
Display switch state	LED yellow		LED yellow	
Ambient temperature	-25... 70°C		-25... 70°C	
Switching frequency	3000Hz	2000Hz	3000Hz	2000Hz
Protection degree	IP67		IP67	
Housing material	CuZn,nickel-plated		CuZn,nickel-plated	
Connection	Cable		M8 Connect	
Wiring diagram (IEC 98)	wiring diagram 1		wiring diagram 1	
Certificates	CE		CE	

Metal cylinder -G8

DC 3



Dimension plan :



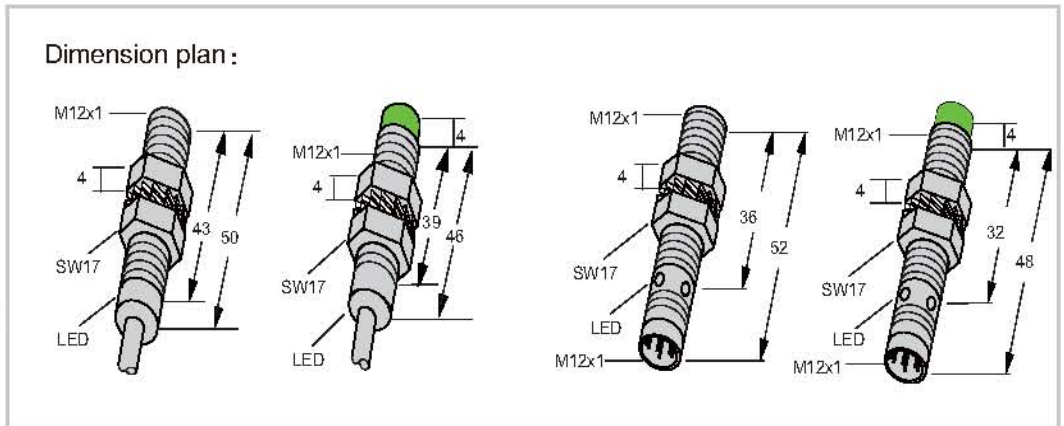
PNP	N.O N.C N.O+N.C	Fi2-G08-OP6L-Q12	Ni3-G08-OP6L-Q12	
NPN	N.O N.C N.O+N.C	Fi2-G08-ON6L-Q12	Ni3-G08-ON6L-Q12	
Rated operating distance		2mm	3mm	
Mounting		Flush	non-Flush	
Voltage range		10...30VDC		
DC rated operating current		≤100mA		
Display switch state		LED yellow		
Ambient temperature		-25...70 °C		
Switching frequency		3000Hz	2000Hz	
Protection degree		IP67		
Housing material		CuZn,nickel-plated		
Connection		M12 Connector		
Wiring diagram (see 98)		wiring diagram 1		
Certificates		CE		

Metal cylinder-M12

DC 2



Dimension plan :



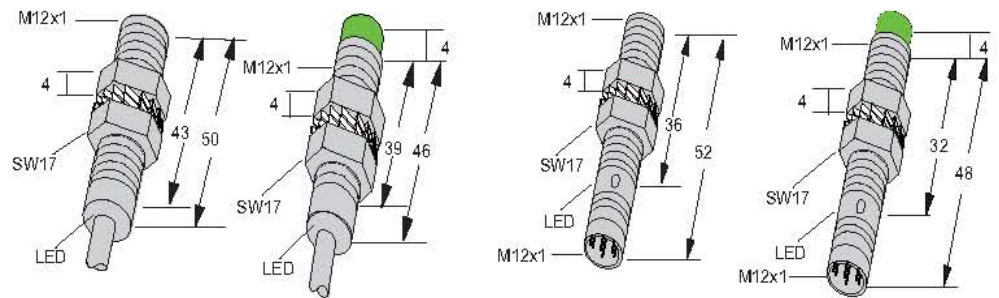
DC N.O N.C AC N.O N.C DC/AC N.O N.C	Fi2-M12-OD6L Fi2-M12-CD6L	Ni4-M12-OD6L Ni4-M12-CD6L	Fi2-M12-OD6L-Q12 Fi2-M12-CD6L-Q12	Ni4-M12-OD6L-Q12 Ni4-M12-CD6L-Q12
Rated operating distance	2mm	4mm	2mm	4mm
Mounting	Flush	non-Flush	Flush	non-Flush
Voltage range	10 ...30VDC		10 ...30VDC	
DC rated operating current	≤100mA		≤100mA	
Display switch state	LED yellow		LED yellow	
Ambient temperature	-25... 70 °C		-25... 70 °C	
Switching frequency	800Hz	500Hz	800Hz	500Hz
Protection degree	IP67		IP67	
Housing material	CuZn,nickel-plated		CuZn,nickel-plated	
Connection	Cable		M12 Connector	
wiring diagram (see 98)	wiring diagram 4		wiring diagram 4	
Certificates	CE		CE	

Metal cylinder- M12

DC 3



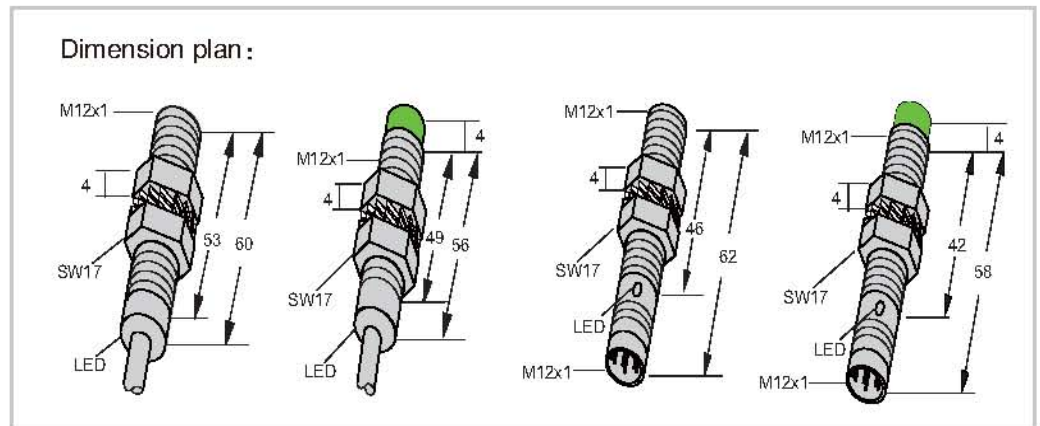
Dimension plan :



PNP	N.O N.C N.O+N.C	Fi2-M12-OP6L Fi2-M12-CP6L	Ni4-M12-OP6L Ni4-M12-CP6L	Fi2-M12-OP6L-Q12 Fi2-M12-CP6L-Q12	Ni4-M12-OP6L-Q12 Ni4-M12-CP6L-Q12
NPN	N.O N.C N.O+N.C	Fi2-M12-ON6L Fi2-M12-CN6L	Ni4-M12-ON6L Ni4-M12-CN6L	Fi2-M12-ON6L-Q12 Fi2-M12-CN6L-Q12	Ni4-M12-ON6L-Q12 Ni4-M12-CN6L-Q12
Rated operating distance		2mm	4mm	2mm	4mm
Mounting		Flush	non-Flush	Flush	non-Flush
Voltage range		10...30VDC		10...30VDC	
DC rated operating current		≤200mA		≤200mA	
Display switch state		LED yellow		LED yellow	
Ambient temperature		-25... 70°C		-25... 70°C	
Switching frequency		1500Hz	1000Hz	1500Hz	1000Hz
Protection degree		IP67		IP67	
Housing material		CuZn, nickel-plated		CuZn, nickel-plated	
Connection		Cable		M12 Connector	
Wiring diagram (IEC 98)		wiring diagram 1		wiring diagram 1	
Certificates		CE		CE	

Metal cylinder- M12

DC 3



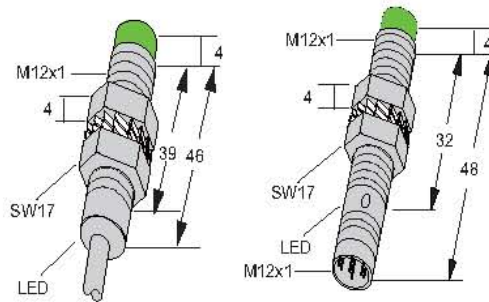
PNP	N.O	Fi2-M12E-OP6L	Ni4-M12E-OP6L	Fi2-M12E-OP6L-Q12	Ni4-M12E-OP6L-Q12
	N.C	Fi2-M12E-CP6L	Ni4-M12E-CP6L	Fi2-M12E-CP6L-Q12	Ni4-M12E-CP6L-Q12
NPN	N.O	Fi2-M12E-ON6L	Ni4-M12E-ON6L	Fi2-M12E-ON6L-Q12	Ni4-M12E-ON6L-Q12
	N.C	Fi2-M12E-CN6L	Ni4-M12E-CN6L	Fi2-M12E-CN6L-Q12	Ni4-M12E-CN6L-Q12
N.O+N.C					
N.O+N.C					
Rated operating distance		2mm	4mm	2mm	4mm
Mounting		Flush	non-Flush	Flush	non-Flush
Voltage range		10...30VDC		10...30VDC	
DC rated operating current		≤200mA		≤200mA	
Display switch state		LED yellow		LED yellow	
Ambient temperature		-25... 70°C		-25... 70°C	
Switching frequency		1500Hz	1000Hz	1500Hz	1000Hz
Protection degree		IP67		IP67	
Housing material		CuZn,nickel-plated		CuZn,nickel-plated	
Connection		Cable		M12 Connector	
Wiring diagram (EN 98)		wiring diagram 1		wiring diagram 1	
Certificates		CE		CE	

Metal cylinder- M12

DC 3



Dimension plan :



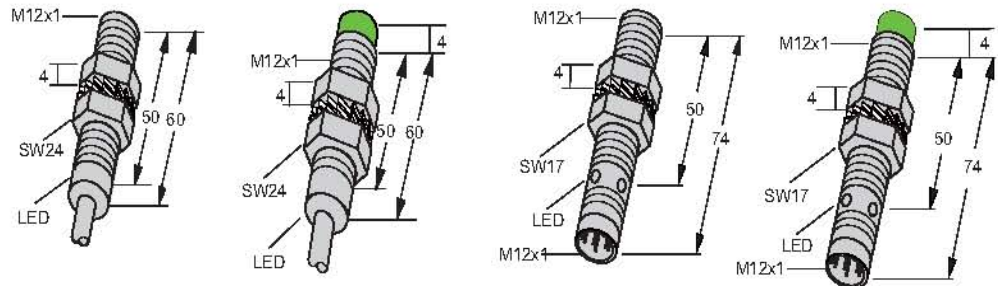
PNP	N.O N.C N.O+N.C	Ni5-M12-OP6L Ni5-M12-CP6L	Ni5-M12-OP6L-Q12 Ni5-M12-CP6L-Q12	
NPN	N.O N.C N.O+N.C	Ni5-M12-ON6L Ni5-M12-CN6L	Ni5-M12-ON6L-Q12 Ni5-M12-CN6L-Q12	
Rated operating distance	5mm			
Mounting	non-Flush			
Voltage range	10...30VDC			
DC rated operating current	≤200mA			
Display switch state	LED yellow			
Ambient temperature	-25... 70°C			
Switching frequency	800Hz	400Hz		
Protection degree	IP67			
Housing material	CuZn,nickel-plated			
Connection	Cable	M12 Connector		
Wiring diagram (IEC 98)	wiring diagram 1			
Certificates	CE			

Metal cylinder - M12

AC 2



Dimension plan :



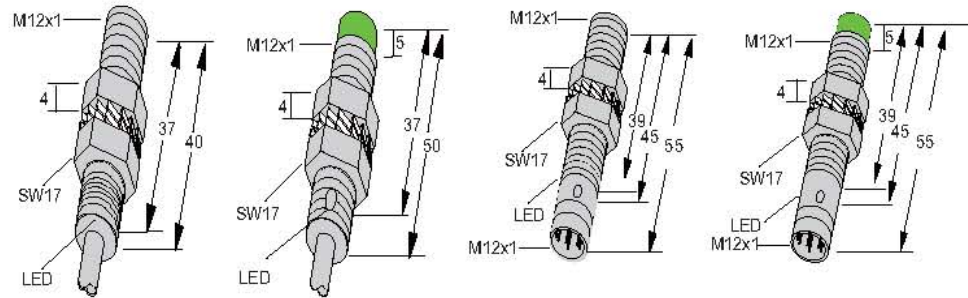
DC N.O N.C				
AC N.O N.C	FI2-M12-OSA3L FI2-M12-CSA3L	Ni4-M12-OSA3L Ni4-M12-CSA3L	FI2-M12-OSA3L-Q12 FI2-M12-CSA3L-Q12	Ni4-M12-OSA3L-Q12 Ni4-M12-CSA3L-Q12
DC/AC N.O N.C				
Rated operating distance	2mm	4mm	2mm	4mm
Mounting	Flush	non-Flush	Flush	non-Flush
Voltage range	20...250VAC		20...250VAC	
DC rated operating current	≤200mA		≤200mA	
Display switch state	LED yellow		LED yellow	
Ambient temperature	-25... 70°C		-25... 70°C	
Switching frequency	20Hz		20Hz	
Protection degree	IP67		IP67	
Housing material	CuZn,nickel-plated		CuZn,nickel-plated	
Connection	Cable		M12 Connector	
wiring diagram (EN 98)	wiring diagram 4		wiring diagram 4	
Certificates	CE		CE	

Metal cylinder -G12

DC 2

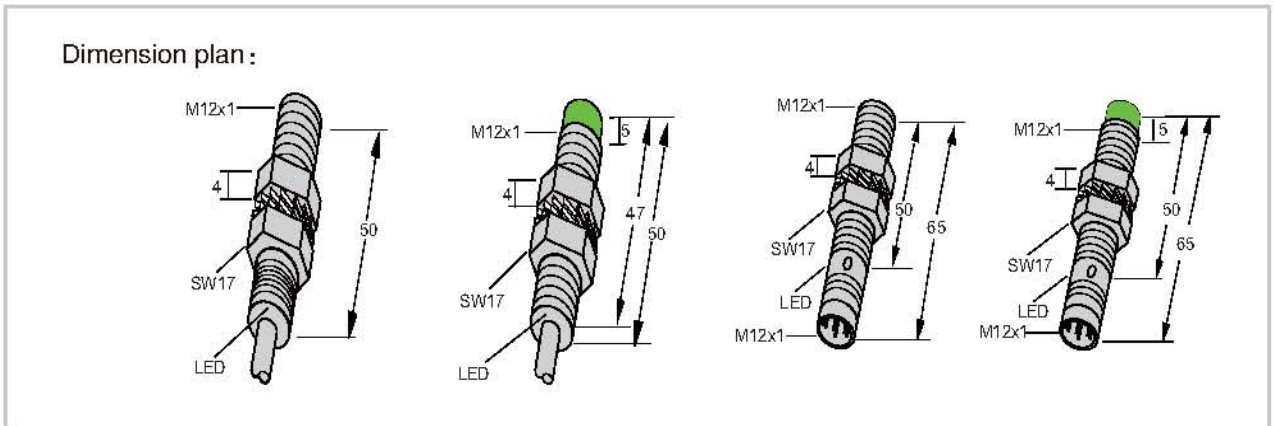


Dimension plan:



DC N.O N.C AC N.O N.C DC/AC N.O N.C	Fi2-G12-OD8L	Ni4-G12-OD8L	Fi2-G12-OD8L-Q12	Ni4-G12-OD8L-Q12
Rated operating distance	2mm	4mm	2mm	4mm
Mounting	Flush	non-Flush	Flush	non-Flush
Voltage range	5...60VDC		5...60VDC	
DC rated operating current	≤100mA		≤100mA	
Display switch state	LED yellow		LED yellow	
Ambient temperature	-25... 70°C		-25... 70°C	
Switching frequency	1000Hz		1000Hz	
Protection degree	IP67		IP67	
Housing material	CuZn,nickel-plated		CuZn,nickel-plated	
Connection	Cable		M12 Connector	
wiring diagram (☞ 98)	wiring diagram 4		wiring diagram 4	
Certificates	CE		CE	

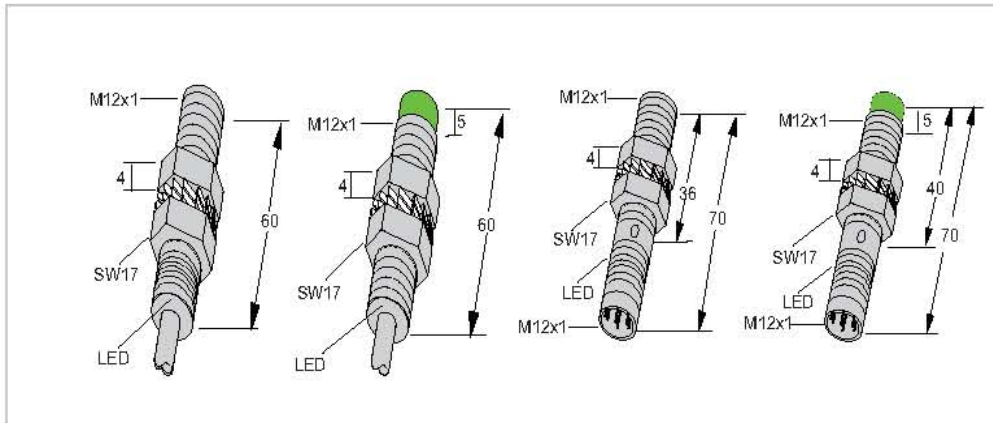
DC 3



PNP N.O N.C N.O+N.C	Fi2-G12-OP6L	Ni4-G12-OP6L	Fi2-G12-OP6L-Q12	Ni4-G12-OP6L-Q12
NPN N.O N.C N.O+N.C	Fi2-G12-ON6L	Ni4-G12-ON6L	Fi2-G12-ON6L-Q12	Ni4-G12-ON6L-Q12
Rated operating distance	2mm	4mm	2mm	4mm
Mounting	Flush	non-Flush	Flush	non-Flush
Voltage range	10...30VDC		10...30VDC	
DC rated operating current	≤200mA		≤200mA	
Display switch state	LED yellow		LED yellow	
Ambient temperature	-25... 70 °C		-25... 70 °C	
Switching frequency	1500Hz	1200Hz	1500Hz	1200Hz
Protection degree	IP67		IP67	
Housing material	CuZn,nickel-plated		CuZn,nickel-plated	
Connection	Cable		M12 Connector	
Wiring diagram (EN 98)	wiring diagram 1		wiring diagram 1	
Certificates	CE		CE	

Metal cylinder -G12

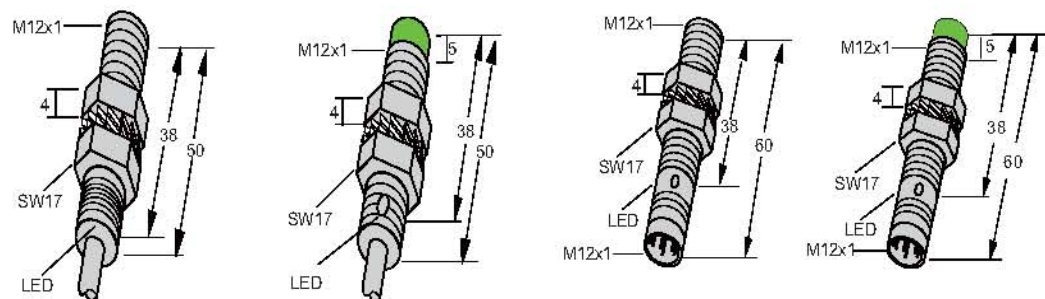
DC 4



PNP N.O N.C N.O+N.C	Fi2-G12-BP6L	Ni4-G12-BP6L	Fi2-G12-BP6L-Q12	Ni4-G12-BP6L-Q12
NPN N.O N.C N.O+N.C	Fi2-G12-BN6L	Ni4-G12-BN6L	Fi2-G12-BN6L-Q12	Ni4-G12-BN6L-Q12
Rated operating distance	2mm	4mm	2mm	4mm
Mounting	Flush	non-Flush	Flush	non-Flush
Voltage range	10 ...30VDC		10 ...30VDC	
DC rated operating current	≤200mA		≤200mA	
Display switch state	LED yellow		LED yellow	
Ambient temperature	-25... 70 °C		-25... 70 °C	
Switching frequency	1000Hz		1000Hz	
Protection degree	IP67		IP67	
Housing material	CuZn,nickel-plated		CuZn,nickel-plated	
Connection	Cable		M12 Connector	
Wiring diagram (3P)	wiring diagram 3		wiring diagram 3	
Certificates	CE		CE	

AC 2

Dimension plan :



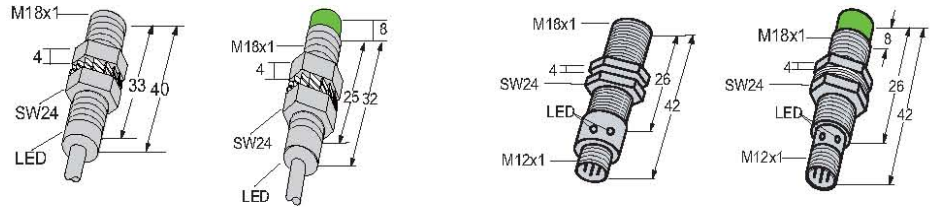
DC N.O N.C AC N.O N.C DC/AC N.O N.C	Fi2-G12-OSA3L	Ni4-G12-OSA3L	Fi2-G12-OSA3L-Q12	Ni4-G12-OSA3L-Q12
Rated operating distance	2mm	4mm	2mm	4mm
Mounting	Flush	non-Flush	Flush	non-Flush
Voltage range	20...250VAC		20...250VAC	
DC rated operating current	≤200mA		≤200mA	
Display switch state	LED yellow		LED yellow	
Ambient temperature	-25... 70°C		-25... 70°C	
Switching frequency	20Hz		20Hz	
Protection degree	IP67		IP67	
Housing material	stainless steel		stainless steel	
Connection	Cable		M12 Connector	
wiring diagram (IEC 98)	wiring diagram 4		wiring diagram 4	
Certificates	CE		CE	

Metal cylinder- M18

DC 2



Dimension plan :

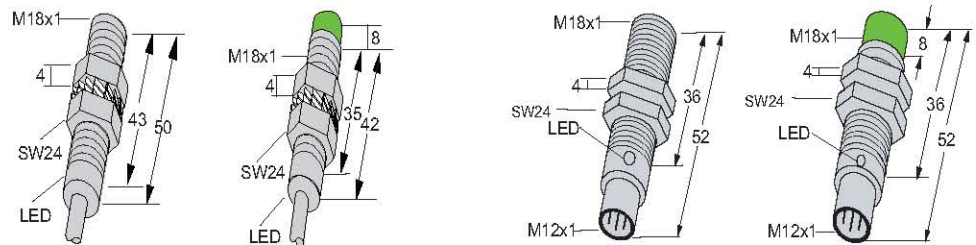


DC N.O N.C AC N.O N.C DC/AC N.O N.C	Fi5-M18S-OD6L Fi5-M18S-CD6L	Ni8-M18S-OD6L Ni8-M18S-CD6L	Fi5-M18S-OD6L-Q12 Fi5-M18S-CD6L-Q12	Ni8-M18S-OD6L-Q12 Ni8-M18S-CD6L-Q12
Rated operating distance	5mm	8mm	5mm	8mm
Mounting	Flush	non-Flush	Flush	non-Flush
Voltage range	10...30VDC		10...30VDC	
DC rated operating current	≤100mA		≤100mA	
Display switch state	LED yellow		LED yellow	
Ambient temperature	-25... 70°C		-25... 70°C	
Switching frequency	500Hz	300Hz	500Hz	300Hz
Protection degree	IP67		IP67	
Housing material	CuZn,nickel-plated		CuZn,nickel-plated	
Connection	Cable		M12 Connector	
wiring diagram (☞ 98)	wiring diagram 4		wiring diagram 4	
Certificates	CE		CE	

Metal cylinder- M18

DC 2

Dimension plan :



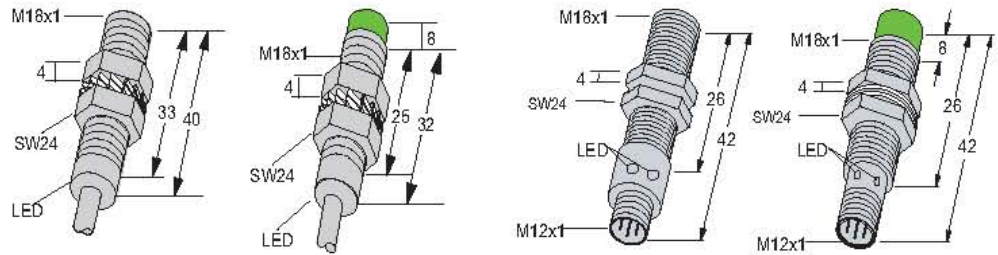
DC N.O. N.C. AC N.O. N.C. DC/AC N.O. N.C.	Fi5-M18-OD6L Fi5-M18-CD6L	Ni8-M18-OD6L Ni8-M18-CD6L	Fi5-M18-OD6L-Q12 Fi5-M18-CD6L-Q12	Ni8-M18-OD6L-Q12 Ni8-M18-CD6L-Q12
Rated operating distance	5mm	8mm	5mm	8mm
Mounting	Flush	non-Flush	Flush	non-Flush
Voltage range	10...30VDC		10...30VDC	
DC rated operating current	≤100mA		≤100mA	
Display switch state	LED yellow		LED yellow	
Ambient temperature	-25... 70°C		-25... 70°C	
Switching frequency	500Hz	300Hz	500Hz	300Hz
Protection degree	IP67		IP67	
Housing material	CuZn,nickel-plated		CuZn,nickel-plated	
Connection	Cable		M12 Connector	
wiring diagram (IEC 93)	wiring diagram 4		wiring diagram 4	
Certificates	CE		CE	

Metal cylinder - M18

DC 3/4

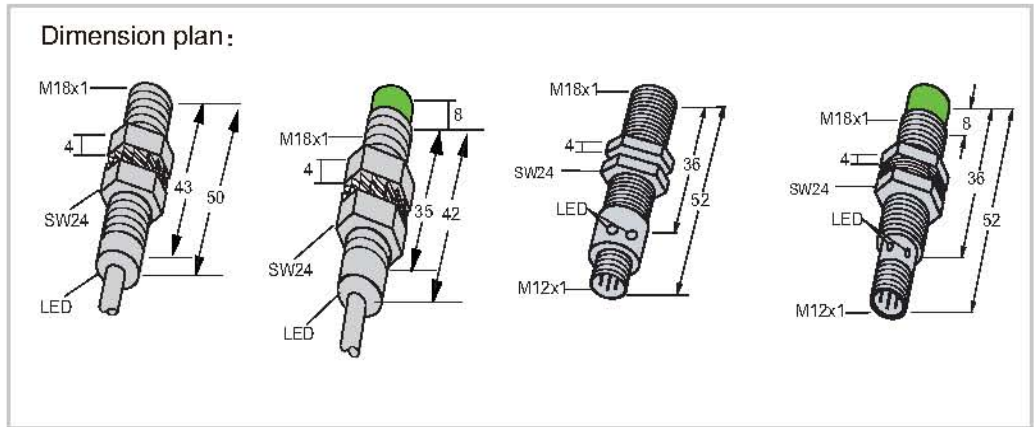


Dimension plan:



PNP	N.O	Fi5-M18S-OP6L	Ni8-M18S-OP6L	Fi5-M18S-OP6L-Q12	Ni8-M18S-OP6L-Q12
	N.C	Fi5-M18S-CP6L	Ni8-M18S-CP6L	Fi5-M18S-CP6L-Q12	Ni8-M18S-CP6L-Q12
	N.O+N.C	Fi5-M18S-BP6L	Ni8-M18S-BP6L	Fi5-M18S-BP6L-Q12	Ni8-M18S-BP6L-Q12
NPN	N.O	Fi5-M18S-ON6L	Ni8-M18S-ON6L	Fi5-M18S-ON6L-Q12	Ni8-M18S-ON6L-Q12
	N.C	Fi5-M18S-CN6L	Ni8-M18S-CN6L	Fi5-M18S-CN6L-Q12	Ni8-M18S-CN6L-Q12
	N.O+N.C	Fi5-M18S-BN6L	Ni8-M18S-BN6L	Fi5-M18S-BN6L-Q12	Ni8-M18S-BN6L-Q12
Rated operating distance	5mm	8mm	5mm	8mm	
Mounting	Flush	non-Flush	Flush	non-Flush	
Voltage range	10...30VDC		10...30VDC		
DC rated operating current	≤200mA		≤200mA		
Display switch state	LED yellow		LED yellow		
Ambient temperature	-25... 70°C		-25... 70°C		
Switching frequency	1000Hz	800Hz	1000Hz	800Hz	
Protection degree	IP67		IP67		
Housing material	CuZn,nickel-plated		CuZn,nickel-plated		
Connection	Cable		M12 Connector		
Wiring diagram (REF 98)	wiring diagram 1		wiring diagram 1		
	wiring diagram 3		wiring diagram 3		
Certificates	CE		CE		

DC 3/4



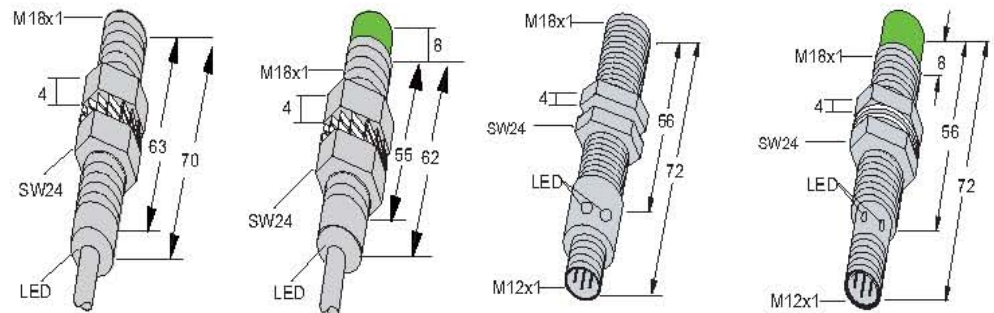
PNP N.O. N.C. N.O+N.C	Fi5-M18-OP6L Fi5-M18-CP6L Fi5-M18-BP6L	Ni8-M18-OP6L Ni8-M18-CP6L Ni8-M18-BP6L	Fi5-M18-OP6L-Q12 Fi5-M18-CP6L-Q12 Fi5-M18-BP6L-Q12	Ni8-M18-OP6L-Q12 Ni8-M18-CP6L-Q12 Ni8-M18-BP6L-Q12
NPN N.O. N.C. N.O+N.C	Fi5-M18-ON6L Fi5-M18-CN6L Fi5-M18-BN6L	Ni8-M18-ON6L Ni8-M18-CN6L Ni8-M18-BN6L	Fi5-M18-ON6L-Q12 Fi5-M18-CN6L-Q12 Fi5-M18-BN6L-Q12	Ni8-M18-ON6L-Q12 Ni8-M18-CN6L-Q12 Ni8-M18-BN6L-Q12
Rated operating distance	5mm	8mm	5mm	8mm
Mounting	Flush	non-Flush	Flush	non-Flush
Voltage range	10...30VDC		10...30VDC	
DC rated operating current	≤200mA		≤200mA	
Display switch state	LED yellow		LED yellow	
Ambient temperature	-25... 70°C		-25... 70°C	
Switching frequency	1000Hz	800Hz	1000Hz	800Hz
Protection degree	IP67		IP67	
Housing material	CuZn,nickel-plated		CuZn,nickel-plated	
Connection	Cable		M12 Connector	
Wiring diagram (98)	wiring diagram 1 wiring diagram 3		wiring diagram 1 wiring diagram 3	
Certificates	CE		CE	

Metal cylinder- M18

DC 3/4



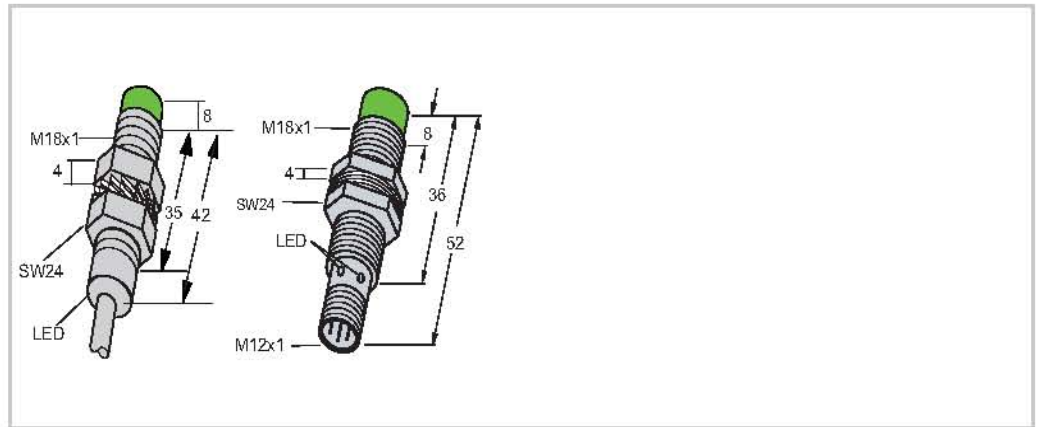
Dimension plan:




PNP	N.O	Fi5-M18E-OP6L	Ni8-M18E-OP6L	Fi5-M18E-OP6L-Q12	Ni8-M18E-OP6L-Q12
	N.C	Fi5-M18E-CP6L	Ni8-M18E-CP6L	Fi5-M18E-CP6L-Q12	Ni8-M18E-CP6L-Q12
	N.O+N.C	Fi5-M18E-BP6L	Ni8-M18E-BP6L	Fi5-M18E-BP6L-Q12	Ni8-M18E-BP6L-Q12
NPN	N.O	Fi5-M18E-ON6L	Ni8-M18E-ON6L	Fi5-M18E-ON6L-Q12	Ni8-M18E-ON6L-Q12
	N.C	Fi5-M18E-CN6L	Ni8-M18E-CN6L	Fi5-M18E-CN6L-Q12	Ni8-M18E-CN6L-Q12
	N.O+N.C	Fi5-M18E-BN6L	Ni8-M18E-BN6L	Fi5-M18E-BN6L-Q12	Ni8-M18E-BN6L-Q12
Rated operating distance		5mm	8mm	5mm	8mm
Mounting		Flush	non-Flush	Flush	non-Flush
Voltage range		10...30VDC		10...30VDC	
DC rated operating current		≤200mA		≤200mA	
Display switch state		LED yellow		LED yellow	
Ambient temperature		-25...70°C		-25...70°C	
Switching frequency		1000Hz	800Hz	1000Hz	800Hz
Protection degree		IP67		IP67	
Housing material		CuZn, nickel-plated		CuZn, nickel-plated	
Connection		Cable		M12 Connector	
Wiring diagram (IEC 98)		wiring diagram 1 wiring diagram 3		wiring diagram 1 wiring diagram 3	
Certificates		CE		CE	

Metal cylinder - M18

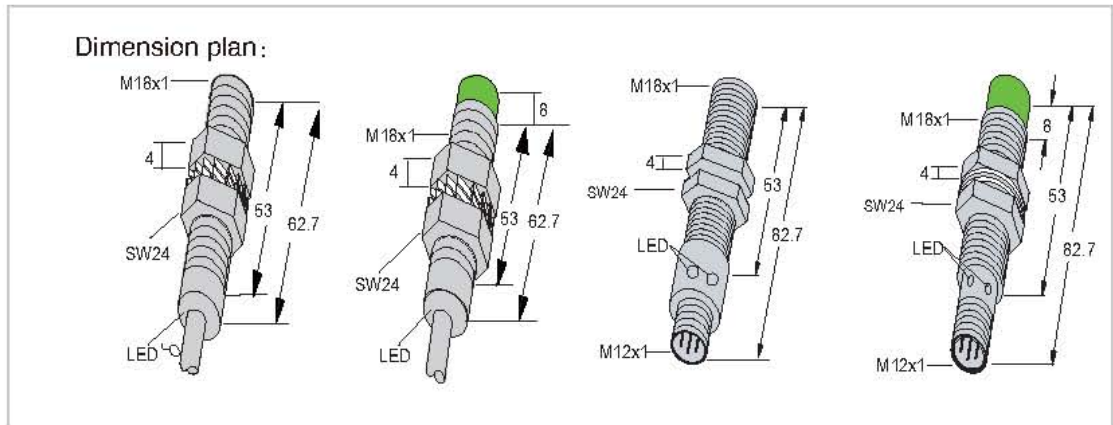
DC 3



PNP N.O. N.C. N.O+N.C	Ni10-M18-OP6L Ni10-M18-CP6L	Ni10-M18-OP6L-Q12 Ni10-M18-CP6L-Q12	
NPN N.O. N.C. N.O+N.C	Ni10-M18-ON6L Ni10-M18-CN6L	Ni10-M18-ON6L-Q12 Ni10-M18-CN6L-Q12	
Rated operating distance	10mm		
Mounting	non-Flush		
Voltage range	10...30VDC		
DC rated operating current	≤200mA		
Display switch state	LED yellow		
Ambient temperature	-25... 70°C		
Switching frequency	500Hz	300Hz	
Protection degree	IP67		
Housing material	CuZn,nickel-plated		
Connection	Cable	M12 Connector	
Wiring diagram (→ 98)	wiring diagram 1		
Certificates			

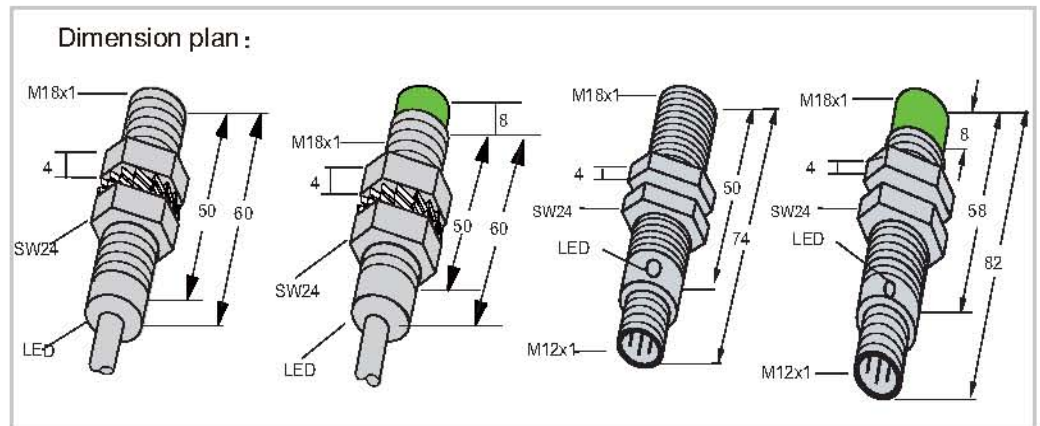
Metal cylinder- M18

DC/AC 2



PNP	N.O			
	N.C			
	N.O+N.C			
NPN	N.O			
	N.C			
	N.O+N.C			
		Fi5-M18-OA41L Fi5-M18-CA41L	Ni8-M18-OA41L Ni8-M18-CA41L	Fi5-M18-OA41L-Q12 Fi5-M18-CA41L-Q12
Rated operating distance		5mm	8mm	5mm
Mounting		Flush	non-Flush	Flush
Voltage range		20...250VAC/20...250VDC		20...250VAC/20...250VDC
DC rated operating current		≤300mA		≤300mA
Display switch state		LED yellow		LED yellow
Ambient temperature		-25... 85°C		-25... 85°C
Switching frequency		15Hz(AC)/50Hz(DC)	15Hz(AC)/50Hz(DC)	15Hz(AC)/50Hz(DC)
Protection degree		IP67		IP67
Housing material		CuZn, nickel-plated		CuZn, nickel-plated
Connection		Cable		M12 Connector
Wiring diagram (IEC 98)		wiring diagram 4		wiring diagram 4
Certificates		CE		CE

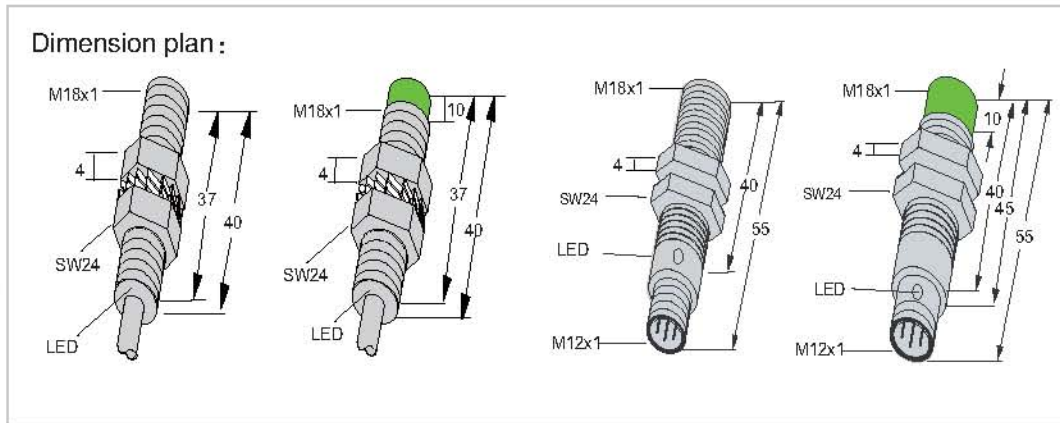
AC 2



DC N.O N.C AC N.O N.C DC/AC N.O N.C	Fi5-M18-OSA3L Fi5-M18-CSA3L	Ni8-M18-OSA3L Ni8-M18-CSA3L	Fi5-M18-OSA3L-Q12 Fi5-M18-CSA3L-Q12	Ni8-M18-OSA3L-Q12 Ni8-M18-CSA3L-Q12
Rated operating distance	5mm	8mm	5mm	8mm
Mounting	Flush	non-Flush	Flush	non-Flush
Voltage range	20...250VAC		20...250VAC	
DC rated operating current	≤300mA		≤300mA	
Display switch state	LED yellow		LED yellow	
Ambient temperature	-25...70°C		-25...70°C	
Switching frequency	20Hz		20Hz	
Protection degree	IP67		IP67	
Housing material	CuZn,nickel-plated		CuZn,nickel-plated	
Connection	Cable		M12 Connector	
wiring diagram (☞ 98)	wiring diagram 4		wiring diagram	
Certificates	CE		CE	

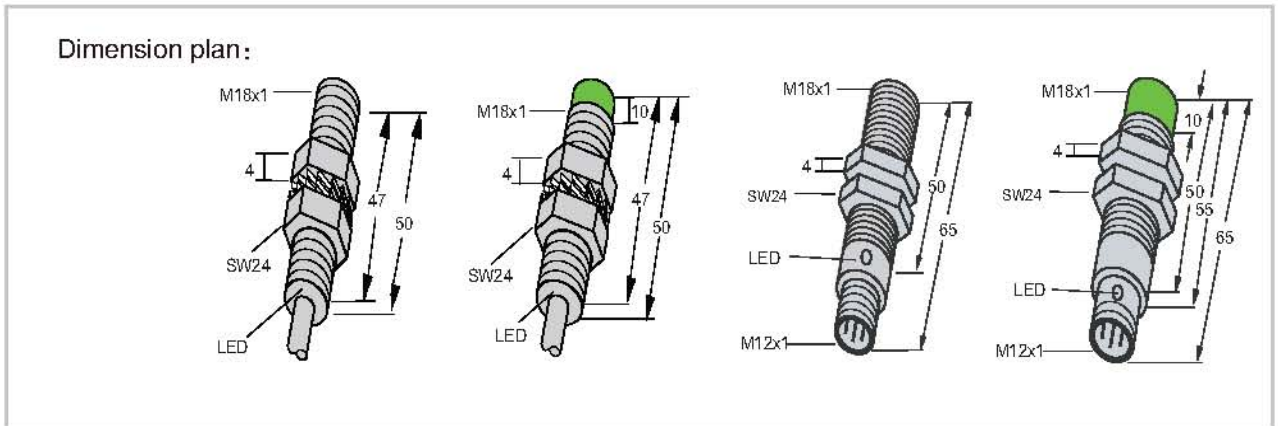
Metal cylinder-G18

DC 3



	F15-G18-OD8L	N18-G18-OD8L	F15-G18-OD8L-Q12	N18-G18-OD8L-Q12
DC N.O N.C AC N.O N.C DC/AC N.O N.C				
Rated operating distance	5mm	8mm	5mm	8mm
Mounting	Flush	non-Flush	Flush	non-Flush
Voltage range	5...60VDC		5...60VDC	
DC rated operating current	≤100mA		≤100mA	
Display switch state	LED yellow		LED yellow	
Ambient temperature	-25... 70°C		-25... 70°C	
Switching frequency	800Hz	500Hz	800Hz	500Hz
Protection degree	IP67		IP67	
Housing material	CuZn,nickel-plated		CuZn,nickel-plated	
Connection	Cable		M12 Connector	
wiring diagram (☞ 98)	wiring diagram 4		wiring diagram 4	
Certificates	CE		CE	

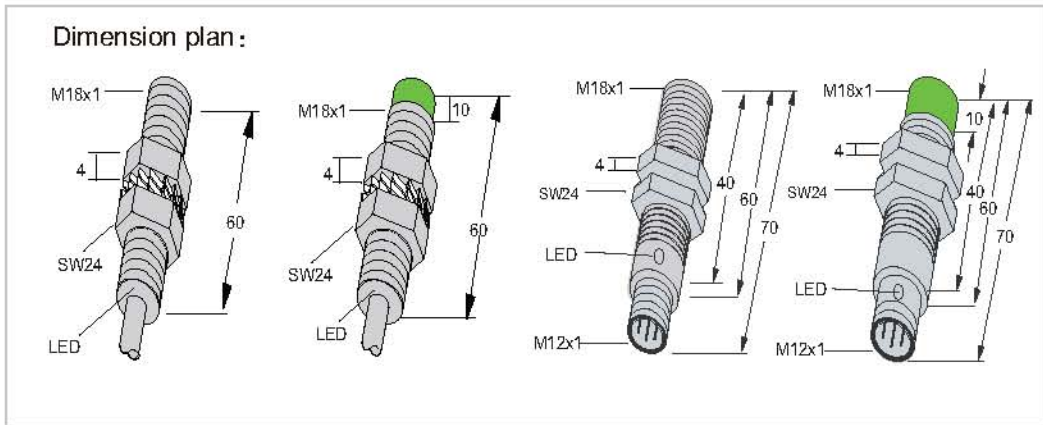
DC 3



PNP N.O N.C N.O+N.C	Fi5-G18-OP6L	Ni8-G18-OP6L	Fi5-G18-OP6L-Q12	Ni8-G18-OP6L-Q12
	Fi5-G18-ON6L	Ni8-G18-ON6L	Fi5-G18-ON6L-Q12	Ni8-G18-ON6L-Q12
NPN N.O N.C N.O+N.C				
Rated operating distance	5mm	8mm	5mm	8mm
Mounting	Flush	non-Flush	Flush	non-Flush
Voltage range	10...30VDC		10...30VDC	
DC rated operating current	≤200mA		≤200mA	
Display switch state	LED yellow		LED yellow	
Ambient temperature	-25... 70°C		-25... 70°C	
Switching frequency	800Hz	500Hz	800Hz	500Hz
Protection degree	IP67		IP67	
Housing material	CuZn,nickel-plated		CuZn,nickel-plated	
Connection	Cable		M12 Connector	
Wiring diagram (IEC 98)	wiring diagram 1		wiring diagram 1	
Certificates	CE		CE	

Metal cylinder -G18

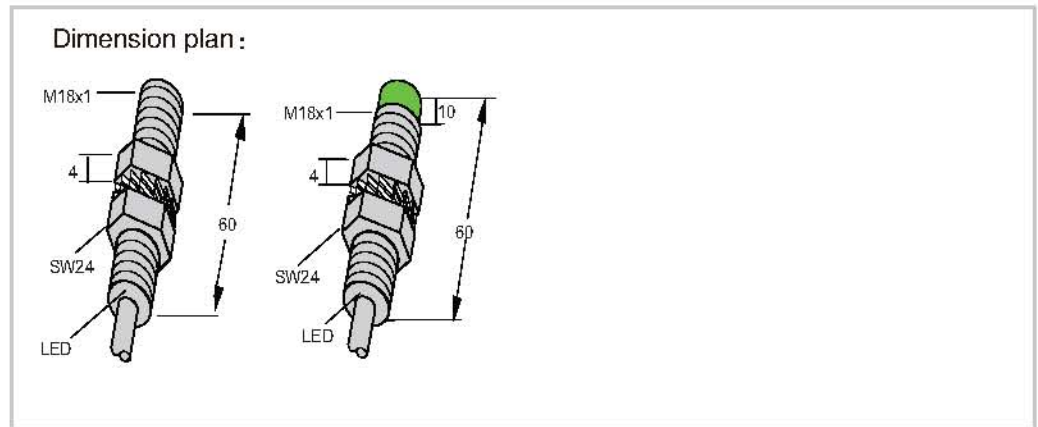
DC 4



PNP N.O. N.C. N.O.+N.C.	Fi5-G18-BP6L	Ni8-G18-BP6L	Fi5-G18-BP6L-Q12	Ni8-G18-BP6L-Q12
NPN N.O. N.C. N.O.+N.C.	Fi5-G18-BN6L	Ni8-G18-BN6L	Fi5-G18-BN6L-Q12	Ni8-G18-BN6L-Q12
Rated operating distance	5mm	8mm	5mm	8mm
Mounting	Flush	non-Flush	Flush	non-Flush
Voltage range	10...30VDC		10...30VDC	
DC rated operating current	≤200mA		≤200mA	
Display switch state	LED yellow		LED yellow	
Ambient temperature	-25... 70°C		-25... 70°C	
Switching frequency	800Hz	700Hz	800Hz	700Hz
Protection degree	IP67		IP67	
Housing material	CuZn,nickel-plated		CuZn,nickel-plated	
Connection	Cable		M12 Connector	
Wiring diagram (IEC 98)	wiring diagram 3		wiring diagram 3	
Certificates	CE		CE	

Metal cylinder-G18

AC 2



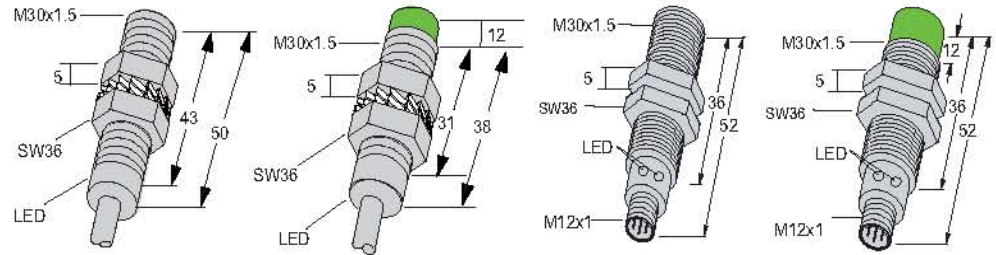
DC N.O N.C AC N.O N.C DC/AC N.O N.C	F15-G18-OSA3L	NI8-G18-OSA3L	
Rated operating distance	5mm	8mm	
Mounting	Flush	non-Flush	
Voltage range	20...250VAC		
DC rated operating current	≤200mA		
Display switch state	LED yellow		
Ambient temperature	-25... 70°C		
Switching frequency	20Hz		
Protection degree	IP67		
Housing material	CuZn,nickel-plated		
Connection	Cable		
wiring diagram (IEC 98)	wiring diagram 4		
Certificates	CE		

Metal cylinder - M30

DC 2



Dimension plan :



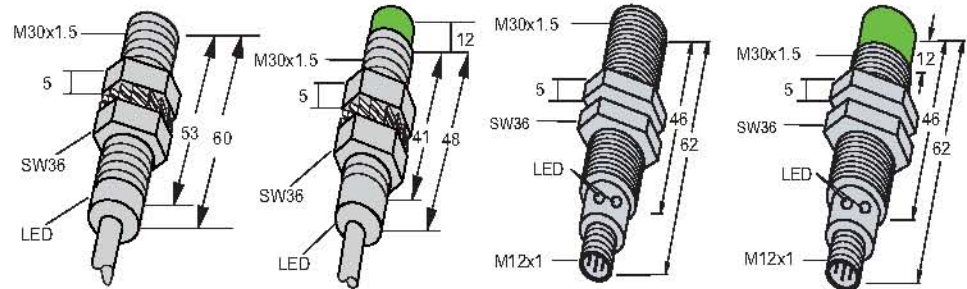
DC N.O N.C AC N.O N.C DC/AC N.O N.C	Fi10-M30S-OD6L Fi10-M30S-CD6L	Ni15-M30S-OD6L Ni15-M30S-CD6L	Fi10-M30S-OD6L-Q12 Fi10-M30S-CD6L-Q12	Ni15-M30S-OD6L-Q12 Ni15-M30S-CD6L-Q12
Rated operating distance	10mm	15mm	10mm	15mm
Mounting	Flush	non-Flush	Flush	non-Flush
Voltage range	10...30VDC		10...30VDC	
DC rated operating current	≤100mA		≤100mA	
Display switch state	LED yellow		LED yellow	
Ambient temperature	-25... 70°C		-25... 70°C	
Switching frequency	300Hz	200Hz	300Hz	200Hz
Protection degree	IP67		IP67	
Housing material	CuZn,nickel-plated		CuZn,nickel-plated	
Connection	Cable		M12 Connector	
wiring diagram (☞ 98)	wiring diagram 4		wiring diagram 4	
Certificates	CE		CE	

Metal cylinder - M30

DC 2



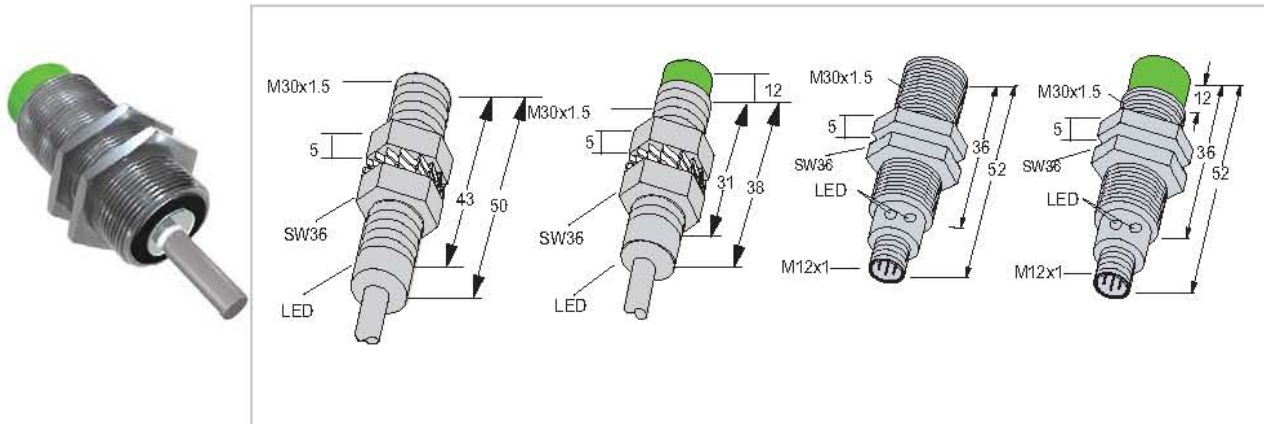
Dimension plan:



DC N.O. N.C.	Fi10-M30-OD6L Fi10-M30-CD6L	Ni15-M30-OD6L Ni15-M30-CD6L	Fi10-M30-OD6L-Q12 Fi10-M30-CD6L-Q12	Ni15-M30-OD6L-Q12 Ni15-M30-CD6L-Q12
AC N.O. N.C.				
DC/AC N.O. N.C.				
Rated operating distance	10mm	15mm	10mm	15mm
Mounting	Flush	non-Flush	Flush	non-Flush
Voltage range	10...30VDC		10...30VDC	
DC rated operating current	≤100mA		≤100mA	
Display switch state	LED yellow		LED yellow	
Ambient temperature	-25... 70°C		-25... 70°C	
Switching frequency	300Hz	200Hz	300Hz	200Hz
Protection degree	IP67		IP67	
Housing material	CuZn, nickel-plated		CuZn, nickel-plated	
Connection	Cable		M12 Connector	
wiring diagram (98)	wiring diagram 4		wiring diagram 4	
Certificates	CE		CE	

Metal cylinder- M30

DC 3

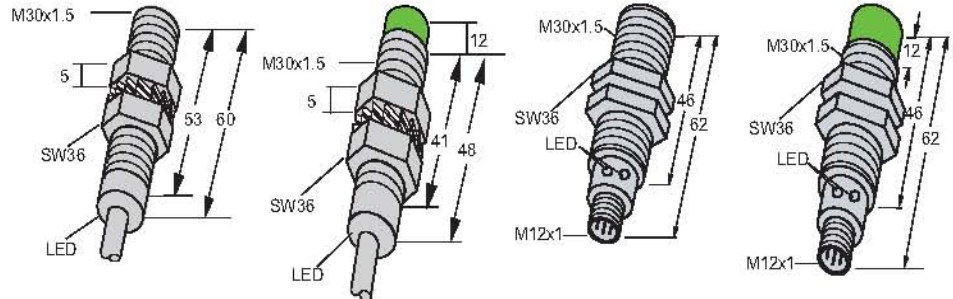


PNP	N.O	Fi10-M30S-OP6L	Ni15-M30S-OP6L	Fi10-M30S-OP6L-Q12	Ni15-M30S-OP6L-Q12
	N.C N.O+N.C	Fi10-M30S-CP6L	Ni15-M30S-CP6L	Fi10-M30S-CP6L-Q12	Ni15-M30S-CP6L-Q12
NPN	N.O	Fi10-M30S-ON6L	Ni15-M30S-ON6L	Fi10-M30S-ON6L-Q12	Ni15-M30S-ON6L-Q12
	N.C N.O+N.C	Fi10-M30S-CN6L	Ni15-M30S-CN6L	Fi10-M30S-CN6L-Q12	Ni15-M30S-CN6L-Q12
Rated operating distance		10mm	15mm	10mm	15mm
Mounting		Flush	non-Flush	Flush	non-Flush
Voltage range		10...30VDC		10...30VDC	
DC rated operating current		≤200mA		≤200mA	
Display switch state		LED yellow		LED yellow	
Ambient temperature		-25... 70 °C		-25... 70 °C	
Switching frequency		500Hz	300Hz	500Hz	300Hz
Protection degree		IP67		IP67	
Housing material		CuZn,nickel-plated		CuZn,nickel-plated	
Connection		Cable		M12 Connector	
Wiring diagram (<i>see</i> 98)		wiring diagram 1		wiring diagram 1	
Certificates		CE		CE	

DC 3



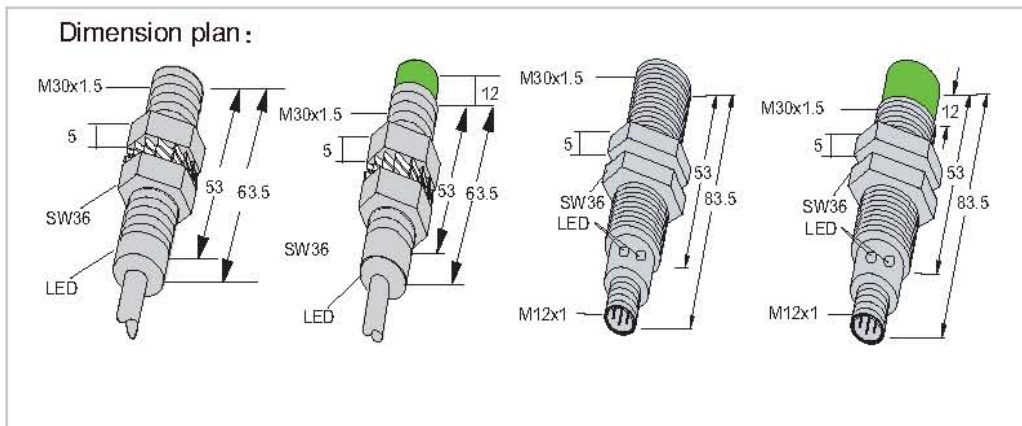
Dimension plan :



PNP N.O N.C N.O+N.C	Fi10-M30-OP6L Fi10-M30-CP6L	Ni15-M30-OP6L Ni15-M30-CP6L	Fi10-M30-OP6L-Q12 Fi10-M30-CP6L-Q12	Ni15-M30-OP6L-Q12 Ni15-M30-CP6L-Q12
NPN N.O N.C N.O+N.C	Fi10-M30-ON6L Fi10-M30-CN6L	Ni15-M30-ON6L Ni15-M30-CN6L	Fi10-M30-ON6L-Q12 Fi10-M30-CN6L-Q12	Ni15-M30-ON6L-Q12 Ni15-M30-CN6L-Q12
Rated operating distance	10mm	15mm	10mm	15mm
Mounting	Flush	non-Flush	Flush	non-Flush
Voltage range	10...30VDC		10...30VDC	
DC rated operating current	≤200mA		≤200mA	
Display switch state	LED yellow		LED yellow	
Ambient temperature	-25... 70 °C		-25... 70 °C	
Switching frequency	500Hz	300Hz	500Hz	300Hz
Protection degree	IP67		IP67	
Housing material	CuZn,nickel-plated		CuZn,nickel-plated	
Connection	Cable		M12 Connector	
Wiring diagram (98)	wiring diagram 1		wiring diagram 1	
Certificates	CE		CE	

Metal cylinder - M30

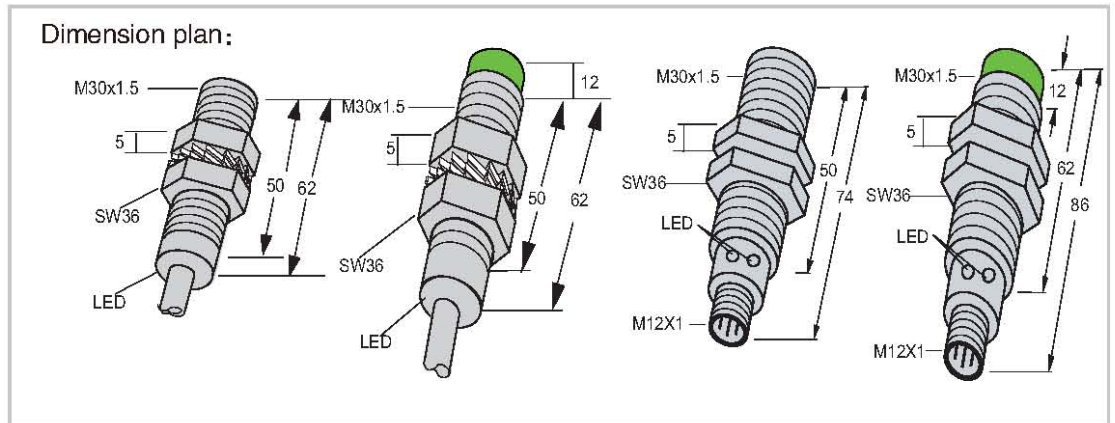
DC/AC 2



DC N.O. N.C.				
AC N.O. N.C.				
DC/AC N.O. N.C.	Fi10-M30-OA41L Fi10-M30-CA41L	Ni15-M30-OA41L Ni15-M30-CA41L	Fi10-M30-OA41L-Q12 Fi10-M30-CA41L-Q12	Ni15-M30-OA41L-Q12 Ni15-M30-CA41L-Q12
Rated operating distance	10mm	15mm	10mm	15mm
Mounting	Flush	non-Flush	Flush	non-Flush
Voltage range	20...250VAC/20...250VDC		20...250VAC/20...250VDC	
DC rated operating current	≤300mA		≤300mA	
Display switch state	LED yellow		LED yellow	
Ambient temperature	-25... 85 °C		-25... 85 °C	
Switching frequency	15Hz(AC)/50Hz(DC)	15Hz(AC)/50Hz(DC)	15Hz(AC)/50Hz(DC)	15Hz(AC)/50Hz(DC)
Protection degree	IP67		IP67	
Housing material	CuZn,nickel-plated		CuZn,nickel-plated	
Connection	Cable		M12 Connector	
wiring diagram (98)	wiring diagram 4		wiring diagram 4	
Certificates	CE		CE	

Metal cylinder -M30

AC 2



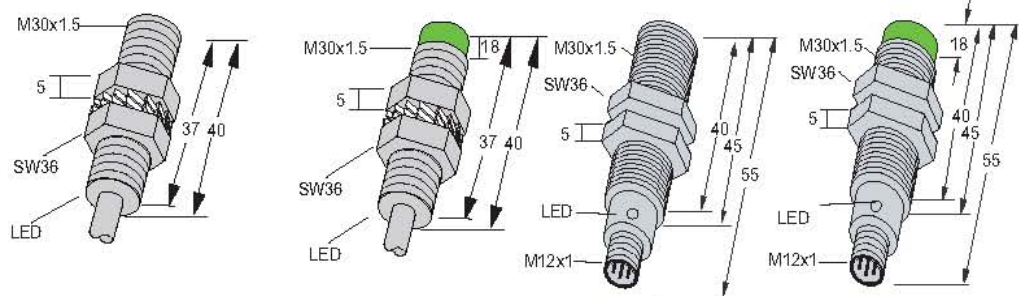
DC N.O N.C				
AC N.O N.C	Fi10-M30-OSA3L Fi10-M30-CSA3L	Ni15-M30-OSA3L Ni15-M30-CSA3L	Fi10-M30-OSA3L-Q12 Fi10-M30-CSA3L-Q12	Ni15-M30-OSA3L-Q12 Ni15-M30-CSA3L-Q12
DC/AC N.O N.C				
Rated operating distance	10mm	15mm	10mm	15mm
Mounting	Flush	non-Flush	Flush	non-Flush
Voltage range	20...250VAC		20...250VAC	
DC rated operating current	≤300mA		≤300mA	
Display switch state	LED yellow		LED yellow	
Ambient temperature	-25...70°C		-25...70°C	
Switching frequency	20Hz		20Hz	
Protection degree	IP67		IP67	
Housing material	CuZn,nickel-plated		CuZn,nickel-plated	
Connection	Cable		M12 Connector	
wiring diagram (98)	wiring diagram 4		wiring diagram 4	
Certificates	CE		CE	

Metal cylinder -G30

DC 2



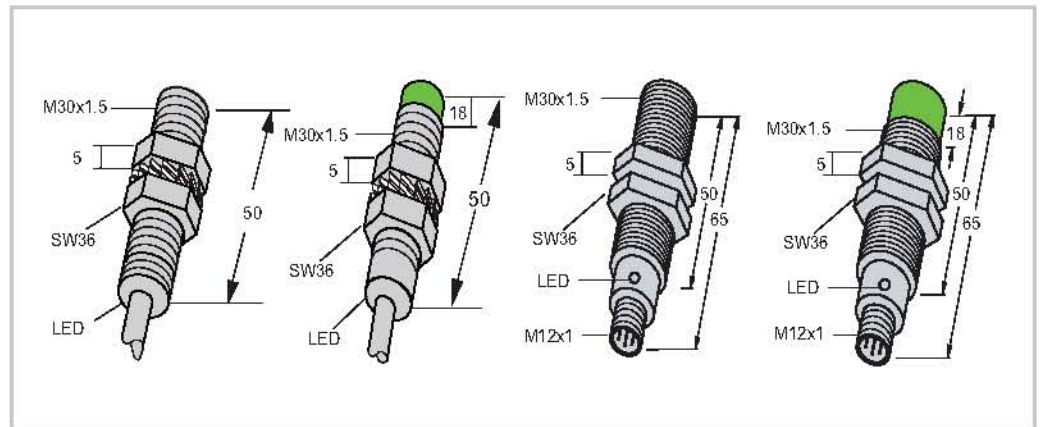
Dimension plan :



	Fi10-G30-OD8L	Ni15-G30-OD8L	Fi10-G30-OD8L-Q12	Ni15-G30-OD8L-Q12
DC N.O N.C				
AC N.O N.C				
DC/AC N.O N.C				
Rated operating distance	10mm	15mm	10mm	15mm
Mounting	Flush	non-Flush	Flush	non-Flush
Voltage range	5 ... 60VDC		5 ... 60VDC	
DC rated operating current	≤100mA		≤100mA	
Display switch state	LED yellow		LED yellow	
Ambient temperature	-25... 70°C		-25... 70°C	
Switching frequency	150Hz		150Hz	
Protection degree	IP67		IP67	
Housing material	stainless steel	CuZn,nickel-plated	CuZn,nickel-plated	
Connection	Cable		M12 Connector	
wiring diagram (☞ 98)	wiring diagram 4		wiring diagram 4	
Certificates	CE		CE	

Metal cylinder-G30

DC 3



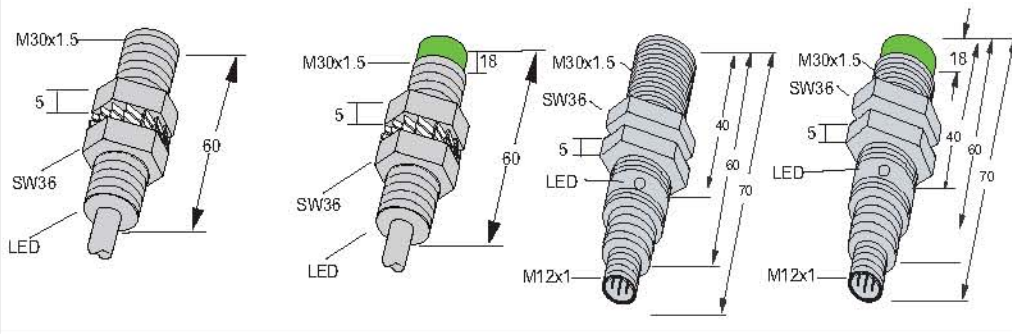
PNP N.O N.C N.O+N.C	FI10-G30-OP6L	NI15-G30-OP6L	FI10-G30-OP6L-Q12	NI15-G30-OP6L-Q12
	FI10-G30-ON6L	NI15-G30-ON6L	FI10-G30-ON6L-Q12	NI15-G30-ON6L-Q12
NPN N.O N.C N.O+N.C				
Rated operating distance	10mm	15mm	10mm	15mm
Mounting	Flush	non-Flush	Flush	non-Flush
Voltage range	10...30VDC		10...30VDC	
DC rated operating current	≤200mA		≤200mA	
Display switch state	LED yellow		LED yellow	
Ambient temperature	-25... 70°C		-25... 70°C	
Switching frequency	200Hz		200Hz	
Protection degree	IP67		IP67	
Housing material	CuZn,nickel-plated		CuZn,nickel-plated	
Connection	Cable		M12 Connector	
Wiring diagram (98)	wiring diagram 1		wiring diagram 1	
Certificates	CE		CE	

Metal cylinder-G30

DC 4



Dimension plan:

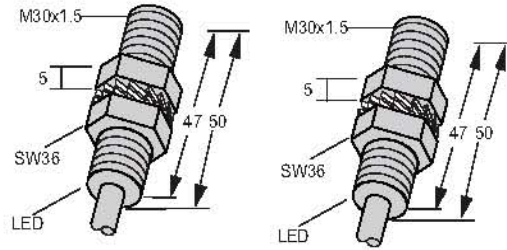


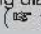
PNP N.O. N.C. N.O+N.C.	Fi10-G30-BP6L	Ni15-G30-BP6L	Fi10-G30-BP6L-Q12	Ni15-G30-BP6L-Q12
NPN N.O. N.C. N.O+N.C.	Fi10-G30-BN6L	Ni15-G30-BN6L	Fi10-G30-BN6L-Q12	Ni15-G30-BN6L-Q12
Rated operating distance	10mm	15mm	10mm	15mm
Mounting	Flush	non-Flush	Flush	non-Flush
Voltage range	10...30VDC		10...30VDC	
DC rated operating current	$\leq 200\text{mA}$		$\leq 200\text{mA}$	
Display switch state	LED yellow		LED yellow	
Ambient temperature	$-25... 70^{\circ}\text{C}$		$-25... 70^{\circ}\text{C}$	
Switching frequency	200Hz		200Hz	
Protection degree	IP67		IP67	
Housing material	CuZn,nickel-plated		CuZn,nickel-plated	
Connection	Cable		M12 Connector	
wiring diagram ()	wiring diagram 3		wiring diagram 3	
Certificates	CE		CE	

AC 2



Dimension plan :



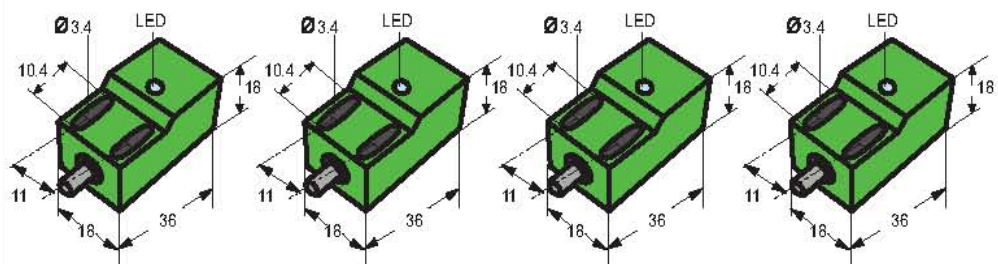
DC N.O N.C AC N.O N.C DC/AC N.O N.C	Fi10-G30-OSA3L	Fi15-G30-OSA3L	
Rated operating distance	10mm	15mm	
Mounting	Flush		
Voltage range	20...250VDC		
DC rated operating current	≤200mA		
Display switch state	LED yellow		
Ambient temperature	-25... 70 °C		
Switching frequency	20Hz		
Protection degree	IP67		
Housing material	CuZn,nickel-plated		
Connection	Cable		
wiring diagram ()	wiring diagram 4		
Certificates	CE		

Plastic squareness - Q18

DC/AC 2



Dimension plan :

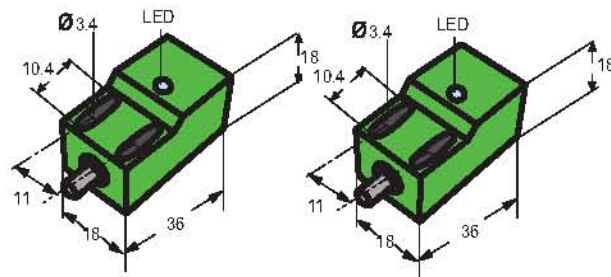


DC N.O N.C AC N.O N.C DC/AC N.O N.C	Fi5-Q18-OD6L Fi5-Q18-CD6L	Fi5-Q18-OSA3L Fi5-Q18-CSA3L	Ni8-Q18-OD6L Ni8-Q18-CD6L	Ni8-Q18-OSA3L Ni8-Q18-CSA3L
Rated operating distance	5mm		8mm	
Mounting	Flush		non-Flush	
Voltage range	10...30VDC	20...250VAC	10...30VDC	20...250VAC
DC rated operating current	≤100mA	≤200mA	≤100mA	≤200mA
Display switch state	LED yellow		LED yellow	
Ambient temperature	-25... 70°C		-25... 70°C	
Switching frequency	800Hz	20Hz	800Hz	20Hz
Protection degree	IP67		IP67	
Housing material	PBT		PBT	
Connection	Cable		Cable	
wiring diagram (☞ 98)	wiring diagram 4		wiring diagram 4	
Certificates	CE		CE	

DC 3



Dimension plan :



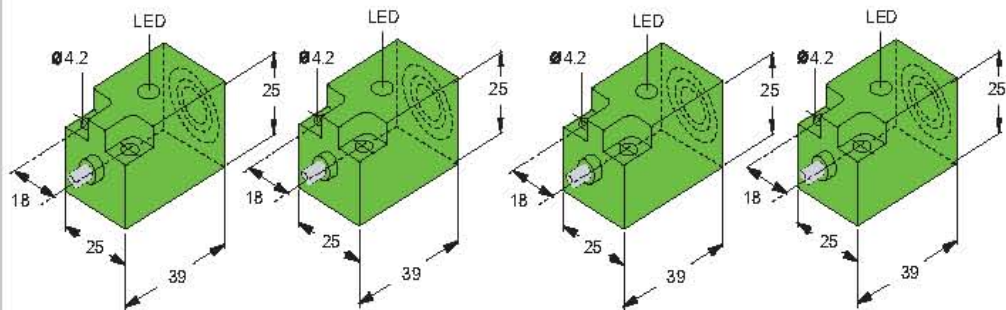
PNP N.O. N.C. N.O.+N.C.	FI5-Q18-OP6L FI5-Q18-CP6L	NI8-Q18-OP6L NI8-Q18-CP6L	
NPN N.O. N.C. N.O.+N.C.	FI5-Q18-ON6L FI5-Q18-CN6L	NI8-Q18-ON6L NI8-Q18-CN6L	
Rated operating distance	5mm	8mm	
Mounting	Flush	non-Flush	
Voltage range	10 ... 30VDC		
DC rated operating current	≤ 200mA		
Display switch state	LED yellow		
Ambient temperature	-25... 70 °C		
Switching frequency	1000Hz		
Protection degree	IP67		
Housing material	PBT		
Connection	Cable		
wiring diagram (EN 98)	wiring diagram 1		
Certificates	CE		

Plastic squareness- Q25

DG/AC 2



Dimension plan :

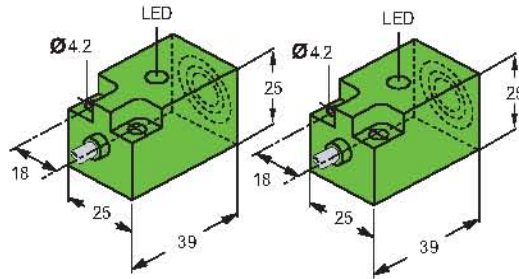


DC N.O N.C AC N.O N.C DC/AC N.O N.C	F17-Q25-OD6L F17-Q25-CD6L	F17-Q25-OSA3L F17-Q25-CSA3L	Ni10-Q25-OD6L Ni10-Q25-CD6L	Ni10-Q25-OSA3L Ni10-Q25-CSA3L
Rated operating distance	7mm		10mm	
Mounting	Flush		non-Flush	
Voltage range	10...30VDC	20...250VAC	10...30VDC	20...250VAC
DC rated operating current	≤100mA	≤300mA	≤100mA	≤300mA
Display switch state	LED yellow		LED yellow	
Ambient temperature	-25...70°C		-25...70°C	
Switching frequency	600Hz	20Hz	600Hz	20Hz
Protection degree	IP67		IP67	
Housing material	PBT		PBT	
Connection	Cable		Cable	
wiring diagram (☞ 98)	wiring diagram 4		wiring diagram 4	
Certificates	CE		CE	

DC 3



Dimension plan :



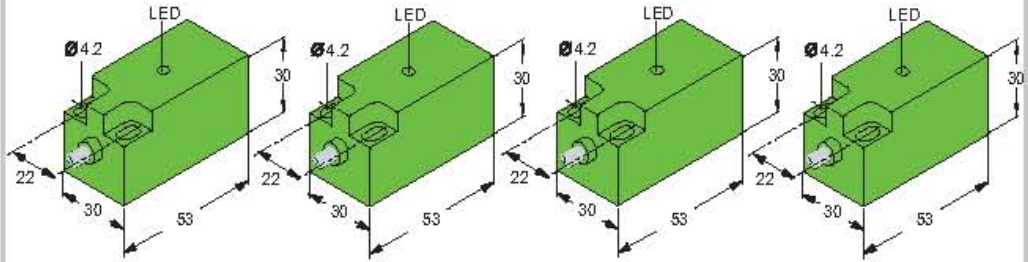
PNP N.O N.C N.O+N.C	Fi7-Q25-OP6L Fi7-Q25-CP6L	Ni10-Q25-OP6L Ni10-Q25-CP6L	
NPN N.O N.C N.O+N.C	Fi7-Q25-ON6L Fi7-Q25-CN6L	Ni10-Q25-ON6L Ni10-Q25-CN6L	
Rated operating distance	7mm	10mm	
Mounting	Flush	non-Flush	
Voltage range	10...30VDC		
DC rated operating current	≤200mA		
Display switch state	LED yellow		
Ambient temperature	-25... 70 °C		
Switching frequency	700Hz		
Protection degree	IP67		
Housing material	PBT		
Connection	Cable		
wiring diagram (IEC 98)	wiring diagram 1		
Certificates	CE		

Plastic squareness- Q30

DC/AC 2



Dimension plan :

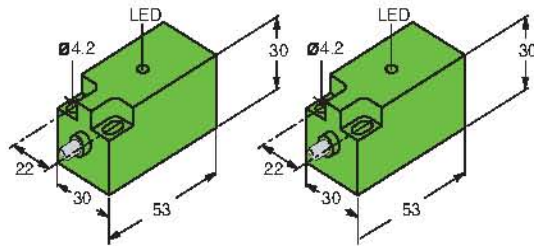


DC N.O. N.C.	F110-Q30-OD6L F110-Q30-CD6L		N115-Q30-OD6L N115-Q30-CD6L	
AC N.O. N.C.	F110-Q30-OSA3L F110-Q30-CSA3L		N115-Q30-OSA3L N115-Q30-CSA3L	
DC/AC N.O. N.C.				
Rated operating distance	10mm		15mm	
Mounting	Flush		non-Flush	
Voltage range	10 ...30VDC	20 ...250VAC	10 ...30VDC	20 ...250VAC
DC rated operating current	≤100mA	≤300mA	≤100mA	≤300mA
Display switch state	LED yellow		LED yellow	
Ambient temperature	-25... 70 °C		-25... 70 °C	
Switching frequency	500Hz	20Hz	500Hz	20Hz
Protection degree	IP67		IP67	
Housing material	PBT		PBT	
Connection	Cable		Cable	
wiring diagram (EN 98)	wiring diagram 4		wiring diagram 4	
Certificates	CE		CE	

DC 3



Dimension plan :

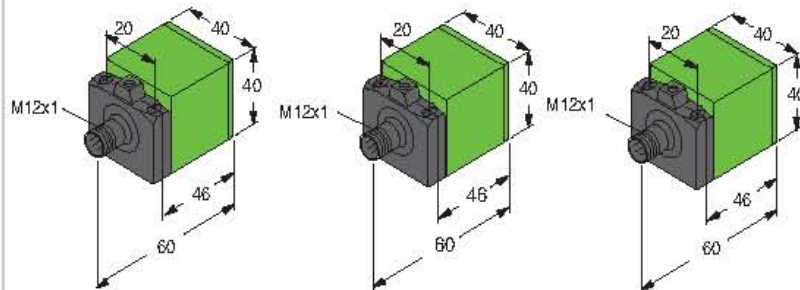


PNP	N.O	Fi10-Q30-OP6L	Ni15-Q30-OP6L	
	N.C	Fi10-Q30-CP6L	Ni15-Q30-CP6L	
	N.O+N.C			
NPN	N.O	Fi10-Q30-ON6L	Ni15-Q30-ON6L	
	N.C	Fi10-Q30-CN6L	Ni15-Q30-CN6L	
	N.O+N.C			
Rated operating distance		10mm	15mm	
Mounting		Flush	non-Flush	
Voltage range		10...30VDC		
DC rated operating current		≤200mA		
Display switch state		LED yellow		
Ambient temperature		-25... 70 °C		
Switching frequency		500Hz		
Protection degree		IP67		
Housing material		PBT		
Connection		Cable		
wiring diagram (IEC 98)		wiring diagram 1		
Certificates		CE		

DC 3/4



Dimension plan:

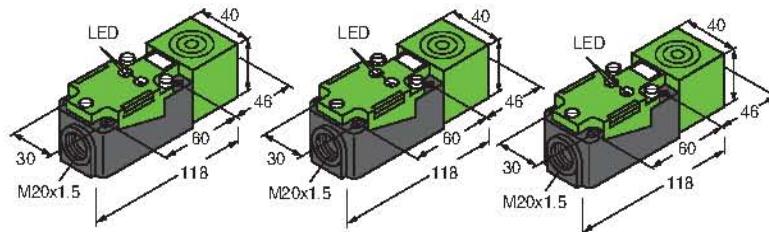


PNP	N.O	Fi20-C40-OP6L-Q12	Ni30-C40-OP6L-Q12	Ni40-C40-OP6L-Q12
	N.C			
	N.O+N.C			
NPN	N.O	Fi20-C40-BP6L-Q12	Ni30-C40-BP6L-Q12	Ni40-C40-BP6L-Q12
	N.C	Fi20-C40-ON6L-Q12	Ni30-C40-ON6L-Q12	Ni40-C40-ON6L-Q12
	N.O+N.C	Fi20-C40-BN6L-Q12	Ni30-C40-BN6L-Q12	Ni40-C40-BN6L-Q12
Rated operating distance	20mm	30mm	40mm	
Mounting	Flush	non-Flush	non-Flush	
Voltage range	10...30VDC		10...30VDC	
DC rated operating current	≤200mA		≤200mA	
Display switch state	LED yellow		LED yellow	
Ambient temperature	-25... 70 °C		-25... 70 °C	
Switching frequency	150Hz		150Hz	
Protection degree	IP67		IP67	
Housing material	PBT		PBT	
Connection	M12 Connector		M12 Connector	
wiring diagram (IEC 98)	wiring diagram 1 wiring diagram 3		wiring diagram 1 wiring diagram 3	
Certificates	CE		CE	

DC 2



Dimension plan :



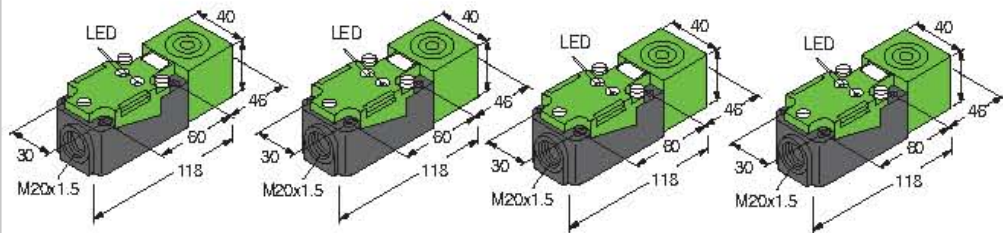
DC N.O N.C N.O+N.C	FI15-CL40-VD9L-Q	Ni20-CL40-VD9L-Q	Ni30-CL40-VD9L-Q
AC N.O N.C			
DC/AC N.O N.C			
Rated operating distance	15mm	20mm	30mm
Mounting	Flush	non-Flush	non-Flush
Voltage range	10 ... 60VDC		10 ... 60VDC
DC rated operating current	≤200mA		≤200mA
Display switch state	LED yellow		LED yellow
Ambient temperature	-25... 70 °C		-25... 70 °C
Switching frequency	400Hz	250Hz	150Hz
Protection degree	IP68		IP68
Housing material	PBT		PBT
Connection	terminal chamber		terminal chamber
wiring diagram (EN 98)	wiring diagram 4		wiring diagram 4
Certificates	CE		CE

Plastic squareness - CL40

DC 3/4



Dimension plan :



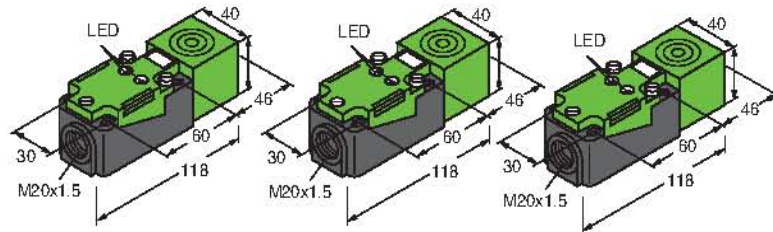
PNP N.O N.C N.O+N.C NPN N.O N.C N.O+N.C	F115-CL40-OP9L-Q	F120-CL40-OP9L-Q	Ni30-CL40-OP9L-Q	Ni40-CL40-OP9L-Q
	F115-CL40-BP9L-Q	F120-CL40-BP9L-Q	Ni30-CL40-BP9L-Q	Ni40-CL40-BP9L-Q
	F115-CL40-ON9L-Q	F120-CL40-ON9L-Q	Ni30-CL40-ON9L-Q	Ni40-CL40-ON9L-Q
	F115-CL40-BN9L-Q	F120-CL40-BN9L-Q	Ni30-CL40-BN9L-Q	Ni40-CL40-BN9L-Q
Rated operating distance	15mm	20mm	30mm	40mm
Mounting	Flush		non-Flush	
Voltage range	10...60VDC		10...60VDC	
DC rated operating current	≤200mA		≤200mA	
Display switch state	LED yellow		LED yellow	
Ambient temperature	-25...70 °C		-25...70 °C	
Switching frequency	150Hz		100Hz	30Hz
Protection degree	IP68		IP68	
Housing material	PBT		PBT	
Connection	terminal chamber		terminal chamber	
wiring diagram (98)	wiring diagram 1 wiring diagram 3		wiring diagram 1 wiring diagram 3	
Certificates	CE		CE	

Plastic squareness - CL40

DC/AC 2



Dimension plan:



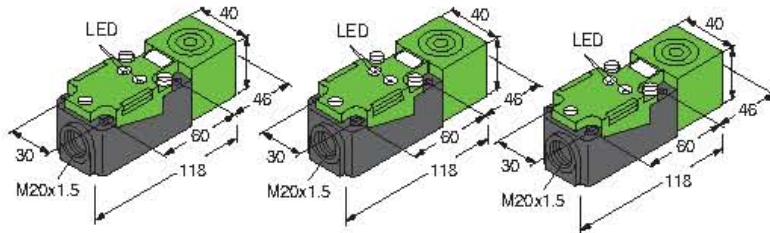
DC N.O. N.C.			
AC N.O. N.C.			
DC/AC N.O. N.C.			
N.O+N.C	F115-CL40-VA4L-Q	NI20-CL40-VA4L-Q	NI30-CL40-VA4L-Q
Rated operating distance	15mm	20mm	30mm
Mounting	Flush	non-Flush	non-Flush
Voltage range	20 ...253VAC/20...300VDC		20 ...253VAC/20...300VDC
DC rated operating current	≤500mA		≤500mA
Display switch state	LED yellow		LED yellow
Ambient temperature	-25... 70°C		-25... 70°C
Switching frequency	25Hz		25Hz
Protection degree	IP68		IP68
Housing material	PBT		PBT
Connection	terminal chamber		terminal chamber
wiring diagram (see 98)	wiring diagram 4		wiring diagram 4
Certificates	CE		CE

Plastic squareness - CL40

AC 2



Dimension plan:

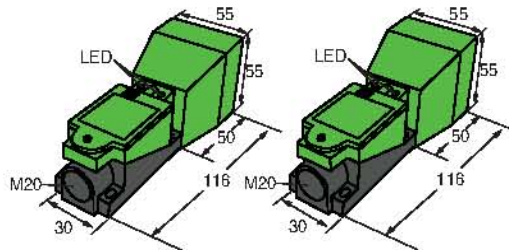


DC N.O. N.C. AC N.O. N.C. DC/AC N.O. N.C. N.O.+N.C.	Fi15-CL40-VSA3L-Q	Ni20-CL40-VSA3L-Q	Ni30-CL40-VSA3L-Q
Rated operating distance	15mm	20mm	30mm
Mounting	Flush	non-Flush	non-Flush
Voltage range	20...250VAC		20...250VAC
DC rated operating current	≤500mA		≤500mA
Display switch state	LED yellow		LED yellow
Ambient temperature	-25... 70 °C		-25... 70 °C
Switching frequency	20Hz		20Hz
Protection degree	IP68		IP68
Housing material	PBT		PBT
Connection	terminal chamber		terminal chamber
wiring diagram (see 98)	wiring diagram 4		wiring diagram 4
Certificates	CE		CE

AC 2



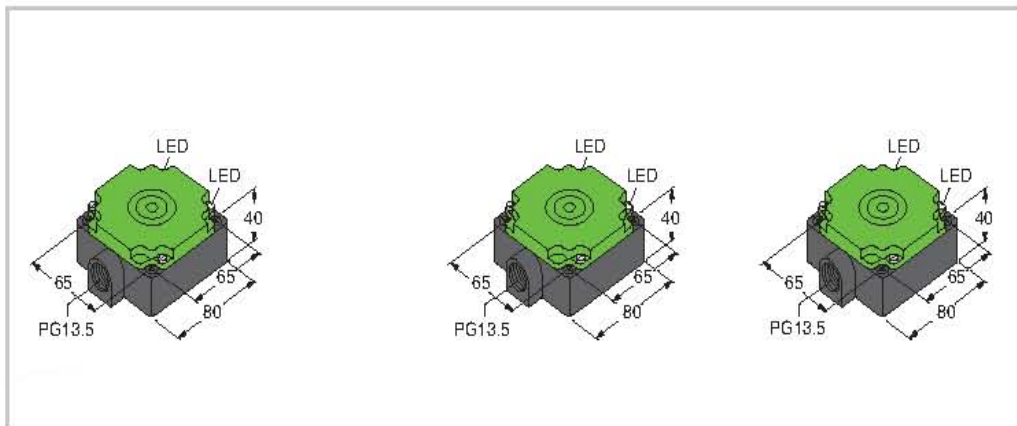
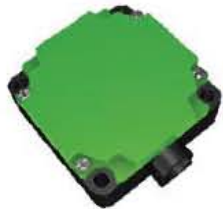
Dimension plan :



DC N.O N.C		
AC N.O N.C N.O+N.C	Ni40-CL55-VSA3L-Q	
DC/AC N.O N.C N.O+N.C		Ni40-CL55-VA4L-Q
Rated operating distance	40mm	
Mounting	non-Flush	
Voltage range	20...250VAC	20...253VAC/20...300VDC
DC rated operating current	≤500mA	
Display switch state	LED yellow	
Ambient temperature	-25... 70 °C	
Switching frequency	20Hz	
Protection degree	IP68	
Housing material	PBT	
Connection	terminal chamber	
wiring diagram (98)	wiring diagram 4	
Certificates	CE	

Plastic squareness - C80

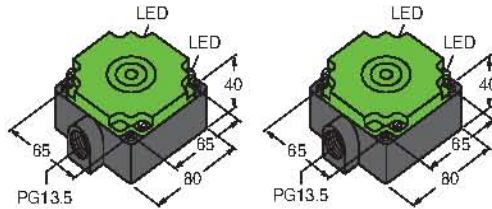
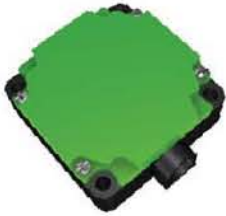
DC/AC 2



DC N.O N.C	Ni50-C80-OD9L-Q		
AC N.O N.C		Fi40-C80-VSA3L-Q	Ni50-C80-VSA3L-Q
DC/AC N.O N.C N.O+N.C			
Rated operating distance	50mm	40mm	50mm
Mounting	non-Flush	Flush	non-Flush
Voltage range	10...60VDC		20...250VAC
DC rated operating current	≤200mA		≤500mA
Display switch state	LED yellow		LED yellow
Ambient temperature	-25... 70°C		-25... 70°C
Switching frequency	80Hz		20Hz
Protection degree	IP67		IP67
Housing material	PBT		PBT
Connection	terminal chamber		terminal chamber
wiring diagram (see 96)	wiring diagram 4		wiring diagram 4
Certificates	CE		CE

DC 3

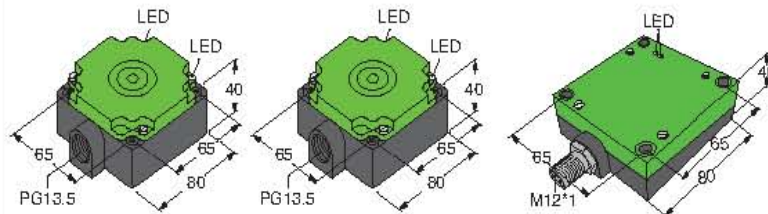
Dimension plan :



PNP N.O. N.C. N.O.+N.C.	Fi50-C80-OP9L-Q		
NPN N.O. N.C. N.O.+N.C.	Ni50-C80-ON9L-Q		
Rated operating distance	50mm		
Mounting	Flush	non-Flush	
Voltage range	10...60VDC		
DC rated operating current	≤200mA		
Display switch state	LED yellow		
Ambient temperature	-25... 70 °C		
Switching frequency	80Hz	100Hz	
Protection degree	IP67		
Housing material	PBT		
Connection	terminal chamber		
wiring diagram (☞ 98)	wiring diagram 1	wiring diagram 1	
Certificates			

DC 4

Dimension plan:



PNP N.O N.C N.O+N.C	Fi40-C80-BP9L-Q	Ni50-C80-BP9L-Q	Fi40-C80-BP9L-Q12
NPN N.O N.C N.O+N.C		Ni50-C80-BN9L-Q	
Rated operating distance	40mm	50mm	40mm
Mounting	Flush	non-Flush	Flush
Voltage range	10...60VDC		10...60VDC
DC rated operating current	≤200mA		≤200mA
Display switch state	LED yellow		LED yellow
Ambient temperature	-25... 70°C		-25... 70°C
Switching frequency	80Hz		80Hz
Protection degree	IP67		IP67
Housing material	PBT		PBT
Connection	terminal chamber		M12 Connector
wiring diagram (ref 98)	wiring diagram 3		wiring diagram 3
Certificates	CE		CE