

# DOOR CONTROLS INTERNATIONAL™

MANUFACTURERS  
OF COMMERCIAL  
LIFE-SAFETY &  
SECURITY HARDWARE

CATALOG DCI 2009

For all product templates visit our website  
[www.doorcontrols.com](http://www.doorcontrols.com)

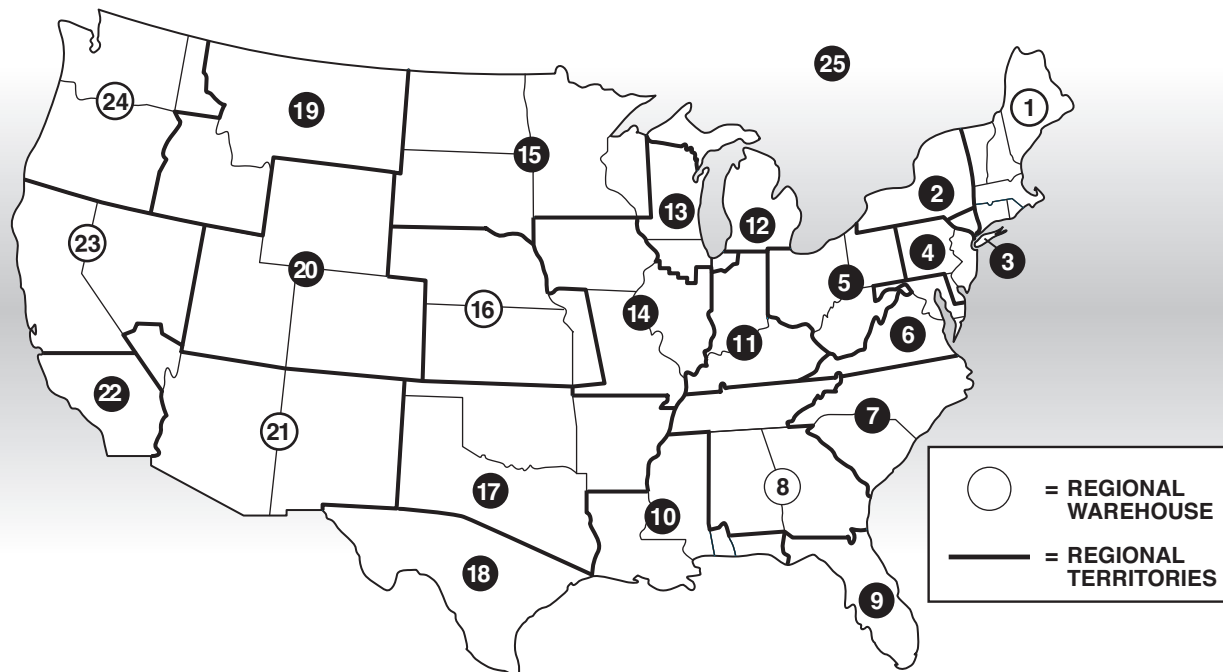
All catalog product pricing and/or product specification  
may be subject to change without prior notice.

2362 Bishop Circle East • Dexter, MI 48130  
734-426-0400 • 1-800-742-3634 • Fax 1-800-742-0410  
[www.doorcontrols.com](http://www.doorcontrols.com) • e-mail: [sales@doorcontrols.com](mailto:sales@doorcontrols.com)



Printed in the U.S.A. - © 2009

# DCI REPRESENTATIVES



DCI products are stocked in six regional warehouses, for immediate shipment. Our product line is sold and serviced by an experienced sales force strategically located throughout the United States and Canada.

## REPRESENTATIVES

- |   |  |   |   |
|---|--|---|---|
| 1) <b>Berlin, CT 06037</b><br>BCS Sales, LLC<br>99 Clock Shop Dr.<br>860-829-0695<br>Fax: 860-829-2773  | 7) <b>Greer, SC 29651</b><br>Southpaw Marketing Group<br>1605 Locust Hill Rd., Ste. 109<br>864-877-8643<br>Fax: 864-877-9185 | 15) <b>Golden Valley, MN 55422</b><br>Combs & Associates, Inc.<br>6190 Olson Memorial Hwy.<br>763-746-3666<br>Fax: 763-746-3669       | 22) <b>Temecula, CA 92589-3577</b><br>The A&M Group<br>P.O. Box 893577<br>951-445-6892<br>Fax: 951-600-4496                           |
| 2) <b>Mexico, NY 13114</b><br>C.M. Squier Sales, Inc.<br>P.O. Box 344<br>315-963-1035<br>Fax: 315-963-1927                                      | 8) <b>Tucker, GA 30084</b><br>Giles & Associates, Inc.<br>4713 Hammermill Rd.<br>770-493-8811<br>Fax: 770-491-1653           | 16) <b>N. Kansas City, MO 64116</b><br>Patterson Sales, Inc.<br>1966 Linn St.<br>816-221-3322<br>Fax: 816-221-5566                    | 23) <b>Santa Clara, CA 95054</b><br>DLR Sales<br>3485 Edward Ave.<br>408-988-1294<br>Fax: 408-988-2307                                |
| 3) <b>E. Northport, NY 11731</b><br>Gagliano Enterprises Inc.<br>Dbc C.G. Sales Co.<br>21 West Haven Drive<br>631-462-1682<br>Fax: 631-462-1684 | 9) <b>Coral Springs, FL 33067</b><br>Belter Sales Co., Inc.<br>4613 University Dr. #461<br>954-340-1553<br>Fax: 954-340-1553 | 17) <b>Sanger, TX 76266</b><br>I & H Associates, Inc.<br>2175 Switzer Rd.<br>940-458-5475<br>Fax: 940-458-5769                        | 24) <b>Auburn, WA 98001</b><br>Premier Hardware Products, Inc.<br>1410 37th Street NW<br>Suite D<br>253-939-8115<br>Fax: 253-288-8784 |
| 4) <b>Exton, PA 19341</b><br>Mid-Atlantic Agents, LTD<br>109 John Robert Thomas Dr.<br>610-363-7611<br>Fax: 610-363-8752                        | 10) <b>Door Controls Int'l</b><br>800-742-3634   | 18) <b>Door Controls Int'l</b><br>800-742-3634  |   |
| 5) <b>West Chester, OH 45069</b><br>Barrett Group, Inc.<br>6170 Centre Park Dr.<br>800-735-7923<br>Fax: 800-859-9167                            | 11) <b>Carmel, IN 46082-0783</b><br>Baines Builders Products<br>P.O. Box 783<br>317-846-9440<br>Fax: 317-574-0129            | 19) <b>Auburn, WA 98001</b><br>Premier Hardware Products, Inc.<br>1410 37th Street NW<br>Suite D<br>253-939-8115<br>Fax: 253-288-8784 |   |
| 6) <b>Cockeysville, MD 21030</b><br>DSS Chesapeake, Inc.<br>10611 York Rd.<br>410-667-4041<br>Fax: 410-667-6743                                 | 12) <b>Saline, MI 48176</b><br>Advanced Building Solutions,<br>LLC<br>5627 Prairie Rd.<br>734-429-9580<br>Fax: 734-429-9581  | 20) <b>Littleton, CO 80128</b><br>R.J. Porter & Associates<br>7345 S. Pierce St., Suite 111<br>303-233-0100<br>Fax: 303-972-7897      |   |
|   | 13) <b>Naperville, IL 60540</b><br>Great Lakes Sales<br>1124 Estes Court<br>630-579-6775<br>Fax: 630-579-6775                | 21) <b>Phoenix, AZ 85076</b><br>Hansen Sales Group<br>P.O. Box 51299<br>480-759-5959<br>Fax: 480-759-6969                             |   |
|   | 14) <b>St. Louis, MO 63144</b><br>D.L. Neuner Co., Inc.<br>3015 South Brentwood<br>800-775-9455<br>Fax: 314-962-6375         |   |   |



# TABLE OF CONTENTS

## CATALOG PRODUCT SECTIONS

## PAGE NOS.

	SECTION A
<b>GENERAL INFORMATION &amp; INDEXES</b>	
Product Listing—Numerical Index .....	A-1
Product Listing—ANSI/BHMA Conversion Chart .....	A-2, A-3
Product Cross Reference Chart .....	A-4, A-5
<b>DOOR COORDINATORS ACCESSORIES</b>	<b>SECTION B</b>
Gravity Coordinator .....No. 500 .....	B-1
Stop Applied Coordinator .....No. 600 Series.....	B-2, B-3, B-4
Accessories .....No. 600 Series.....	B-2, B-3, B-4
<b>AUTOMATIC &amp; MANUAL FLUSH BOLTS</b>	<b>SECTION C</b>
Automatic Bolts—Metal .....Nos. 840, 842 .....	C-1
Automatic Bolts—Wood .....Nos. 940, 942 .....	C-2
Automatic Flush Bolt—Wood .....Nos. 960, 962 .....	C-3
Self Latching Bolts—Metal .....Nos. 805, 845 .....	C-4
Self Latching Bolts—Wood.....Nos. 905, 945 .....	C-5
Bottom Fire Bolt—Metal & Wood .....Nos. 8BFB, 9BFB .....	C-6
Manual Flush Bolts .....Nos. 780, 785, 790 .....	C-7
Dust Proof Strikes.....Nos. 80, 81, 82 .....	C-8
<b>BUMPERS, STOPS, HOLDERS WALL MOUNT, &amp; HOLDERS FLOOR MOUNT</b>	<b>SECTION D</b>
Wall Bumpers .....Nos. 3200, 3201, 3210, 3211 .....	D-1
Wall Stops.....Nos. 3260X, 3267X, 3252T .....	D-2
Wall Holders .....No. 3487X.....	D-7
Door Holders .....Nos. 3104, 3105, 3114, 3115 .....	D-3
Door Holders .....Nos. 3467X, 3468X, 3469X, 3470X .....	D-7
Dome Stops & Risers .....Nos. 3300, 3310X, 3320X .....	D-4
Floor Stops .....Nos. 3330X, 3340X, 3360X .....	D-5
Floor Stops & Holders .....Nos. 3347X, 3367X .....	D-6
<b>MISCELLANEOUS DOOR HARDWARE &amp; ROLLER LATCHES</b>	<b>SECTION E</b>
Adjustable Roller Latches.....No. 4030 .....	E-1
Adjustable Roller Latches w/ Stop .....No. 4040 .....	E-2
Door Silencers & Bumpers .....Nos. 8S, 9S, 300C .....	E-3
Surface Door Bolts .....Nos. 1008F, 1012F .....	E-4
Security Door Bolts.....Nos. 1008P, 1012P .....	E-4
<b>PANNEX SERIES</b>	<b>SECTION F</b>
Rim Exit Devices .....No. 1200 .....	F-1, F-2
Alarmed Exit Devices .....Nos. 1210, 1220, 1230 .....	F-3, F-4
Electronic Rim Exit Devices .....No. 1300 .....	F-5, F-6
Electronic Alarmed Devices .....Nos. 1310, 1320, 1330 .....	F-7, F-8
Trim.....Nos. 01, 02, 03, 08, 14 .....	F-9
Order Information .....	F-10
<b>ACCESS CONTROLS</b>	<b>SECTION G</b>
Electromagnetic Locks .....Nos. 1401, 1405.....	G-1
Power Supplies & Batteries .....Nos. PS17, PS17-TD2, PSL17, PSL30, BBU ...	G-2, G-3
Egress Switches.....Nos. 200, 300.....	G-4
PANNEX™ Rim Exit Devices .....Nos. 120, 1200, 1300.....	G-5
Alarms, Door Loop, PIR .....Nos. 10, 20, 30, DL418, 400 .....	G-6



# PRODUCT LISTING

## NUMERICAL

Item No.	Product	Page	Item No.	Product	Page
BBU	Batteries	G-2,3	945	Self-Latching Flush Bolts	C-5
DL418	Door Loop	G-6	960	Automatic Flush Bolt	C-3
PS17	Power Supply	G-2	962	Automatic Flush Bolt	C-3
PS17-TD2	Power Supply w/ Time Delay	G-2	8BFB	Bottom Fire Bolt	C-6
PSL17	Power Supply	G-2	9BFB	Bottom Fire Bolt	C-6
PSL30	Power Supply	G-3	1008F	Surface Bolts	E-4
01	Escutcheon Only	F-9	1008P	Security Bolts	E-4
02	Extruded Pull	F-9	1012F	Surface Bolts	E-4
02N	Extruded Pull Narrow	F-9	1012P	Security Bolts	E-4
02P	Pull & Escutcheon	F-9	1200	Rim Exit Devices	F-1, F-2
03	Extruded Pull	F-9	1210	Alarm Exit Devices	F-3, F-4
03C	Escutcheon Cut for Cylinder	F-9	1220	Alarm Exit Devices	F-3, F-4
03N	Escutcheon Cut for Cylinder	F-9	1230	Alarm Exit Devices	F-3, F-4
03P	Pull & Escutcheon Cut for Cylinder	F-9	1300	Electronic Exit Devices	F-5, F-6
08L	Lever Trim	F-9	1310	Electronic Exit Alarms	F-7, F-8
08NL	Narrow Stile Lever Trim	F-9	1320	Electronic Exit Alarms	F-7, F-8
08EL	Electrified Lever Trim	F-9	1330	Electronic Exit Alarms	F-7, F-8
08NEL	Narrow, Electrified Lever Trim	F-9	1400	Electromagnetic Lock Series	G-1
8S	Door Silencers	E-3	1401	Electromagnetic Lock Series	G-1
9S	Door Silencers	E-3	1405	Electromagnetic Lock Series	G-1
10	Alarm Module	F-3, F-4, F-7, F-8	3104	Kick Down Holders	D-3
20	Alarm Module	F-3, F-4, F-7, F-8	3105	Kick Down Holders	D-3
30	Alarm Module	F-3, F-4, F-7, F-8	3114	Kick Down Holders	D-3
80	Dust Proof Strike	C-8	3115	Kick Down Holders	D-3
81	Dust Proof Strike	C-8	3200	Wall Bumpers—Cast	D-1
82	Dust Proof Strike	C-8	3201	Wall Bumpers—Cast	D-1
CB	Carry Bar	B-1, B-2	3210	Wall Bumpers—Wrought	D-1
120	Push Bar Electric	G-5	3211	Wall Bumpers—Wrought	D-1
200	Key Switches	G-4	3252	Wall Stop	D-2
210	Key Switches	G-4	3260	Wall Stop	D-2
300	Push Button	G-4	3267	Wall Stop w/Hook Holder	D-2
310	Push Button	G-4	3300	Dome Stop Risers	D-4
320	Mushroom Button	G-4	3310	Dome Stop	D-4
340	Mushroom Button	G-4	3320	Dome Stop	D-4
400	Motion Detector	G-6	3330	Floor Stop	D-5
500	Door Coordinator	B-1	3340	Floor Stop	D-5
600	Door Coordinators	B-2, B-3, B-4	3347	Floor Stop w/ Holder	D-6
AB	Mounting Brackets	B-2, B-3	3360	Floor Stop	D-5
C	Mounting Brackets	B-2, B-3	3367	Floor Stop w/ Hook	D-6
780	Manual Flush Bolts	C-7	3467	Automatic Door Holder	D-7
785	Manual Flush Bolts	C-7	3468	Automatic Door Holder	D-7
790	Manual Flush Bolts	C-7	3469	Automatic Door Holder	D-7
805	Self-Latching Flush Bolts	C-4	3470	Automatic Door Holder	D-7
840	Automatic Flush Bolts	C-1	3487	Automatic Wall Holder	D-7
842	Automatic Flush Bolts	C-1	4030	Adjustable Roller Latch	E-1
845	Self-Latching Flush Bolts	C-4	4040	Adjustable Roller Latch	E-2
905	Self-Latching Flush Bolts	C-5			
940	Automatic Flush Bolts	C-2			
942	Automatic Flush Bolts	C-2			



# PRODUCT LISTING ANSI/BHMA CONVERSION CHART

A-2

DCI ITEM NO	A.N.S.I. STANDARD	B.H.M.A NUMBER	FIRE RATING	U.S. PATENT NUMBER
<b>FLUSH AND SURFACE BOLTS</b>				
80	156.16	L14021		
82	156.16	L14021		
780F	156.16	L14251	UL	
790F	156.16	L14261	UL	
805	156.16	TYPE 27	UL	4611840
842	156.3	TYPE 25	UL	4611840 4005886
845	156.16	TYPE 27	UL	4611840 4005886
905	156.16	TYPE 27	UL	4611840
942	156.3	TYPE 25	UL	4611840 4005886
945	156.16	TYPE 27	UL	4611840 4005886
962	156.3	TYPE 25	UL	7410195
1008	156.16			
1012	156.16			
1008F	156.16	L84161	UL	
1012F	156.16	L84161	UL	
1008P	156.16	L84131		
1012P	156.16	L84131		

<b>COORDINATORS AND ACCESSORIES</b>				
600 SERIES	156.3	TYPE 21A	UL	3895461 3822506
CB	156.3	TYPE 21		
500	156.3	TYPE 21B	UL	

<b>PANNEX—RIM EXIT DEVICES</b>				
1200 SERIES	156.3, Grade 1	TYPE 1,4	UL-3hr.	4545606
1210 SERIES	156.3, Grade 1	TYPE 1,4	UL-3hr.	4545606
1220 SERIES	156.3, Grade 1	TYPE 1,4	UL-3hr.	4545606
1230 SERIES	156.3, Grade 1	TYPE 1,4	UL-3hr.	4545606
1300 SERIES	156.3, Grade 1	TYPE 1,4	UL-3hr.	4545606
1310 SERIES	156.3, Grade 1	TYPE 1,4	UL-3hr.	4545606
1320 SERIES	156.3, Grade 1	TYPE 1,4	UL-3hr.	4545606
1330 SERIES	156.3, Grade 1	TYPE 1,4	UL-3hr.	4545606

<b>ELECTROMAGNETIC LOCKS</b>				
1401	A156.23, Grade 1	E08501		5,261,713, & D345,093
1405	A156.23, Grade 1	E08521		5,261,713, & D345,093

<b>HOLDERS</b>				
3104	156.16	L71381		
3105	156.16	L71391		
3114	156.16	L11381		
3115	156.16	L11391		



# PRODUCT LISTING ANSI/BHMA CONVERSION CHART

DCI ITEM NO	A.N.S.I. STANDARD	B.H.M.A NUMBER	FIRE RATING	U.S. PATENT NUMBER
-------------	-------------------	----------------	-------------	--------------------

## HOLDERS

3467X	156.16	L11301		
3468X	156.16	L11301		
3469X	156.16	L11301		
3470X	156.16	L11301		
3487X	156.16	L11291		

## STOPS

3260X	156.16	L12021		
3267X	156.16	L11351		
3310X	156.16	L12141		
3320X	156.16	L12161		
3330X	156.16	L12131		
3340X	156.16	L12131		
3347X	156.16	L11371		
3360X	156.16	L12131		
3367X	156.16	L11371		

## BUMPERS

3210T	156.6, Grade 1	L02101		
3211T	156.16, Grade 1	L02251		

## MISCELLANEOUS AUXILIARY HARDWARE ITEMS

8S	156.16	L03011		
9S	156.16	L03021		
4030	156.16	E19101		
4040	156.16	E19111		



# PRODUCT CROSS REFERENCE CHART

A-4

DCI	Item Description	IVES	HAGER	ROCKWOOD	TRIMCO
<b>DOOR COORDINATORS</b>					
500	Coordinator Gravity Type	COR7G		576	3093
654	Coordinator—Stop Mount	COR52	297D	1654	3094B1
660	Coordinator—Stop Mount	COR52 X FL20	297D	1660	3094B2
672	Coordinator—Stop Mount	COR52 X FL20	297D	1672	3094B2
696	Coordinator—Stop Mount	COR52 X FL44	297D	1696	3094C4
AB	Mounting Bracket	MB2	297M	1601AB	3095
C	Mounting Bracket	MB1	297N	1601C	3096
CB	Carry Bar	CB1	297C	1100	
<b>DOOR BOLTS</b>					
780	Manual Flush Bolt—Metal UL	FB458	282D	555	3917
785	Manual Flush Bolt—Metal UL	FB457		550	3915
790	Manual Flush Bolt—Wood UL	FB358	283D	557	3913
805 / 8BFB	S.L.F.B x Bottom Fire Bolt—Metal	FB52			3820 x 3850
805 / 8BFB x CPK-840	S.L.F.B x BFB & Cover Plate—Metal	FB53			
840 / 8BFB	AFB & Bottom Fire Bolt—Metal	FB32			3810 x 3850
840 / 8BFB x CPK-840	AFB, BFB, & Cover Plate—Metal	FB33			
842	Set Automatic Flush Bolts—Metal	FB31P	292D	1842	3810
845	Combination Set Flush Bolts—Metal	FB51P	293D	1845	3820
905 / 9BFB	S.L.F.B x Bottom Fire Bolt—Wood	FB62			3825 x 3850
940 / 9BFB	AFB & Bottom Fire Bolt—Wood	FB42			3815 x 3850
942	Set Automatic Flush Bolts—Wood	FB41P	291D	1942	3815
945	Combination Set Flush Bolts—Wood	FB61P	294D	1945	3825
960 / 9BFB	AFB & Bottom Fire Bolt—Wood	FB42			3815 x 3850
962	Set Automatic Flush Bolts—Wood	FB41P			3815
8BFB	Bottom Fire Bolt—Metal				3850
9BFB	Bottom Fire Bolt—Wood				3850
80	Dust Proof Strike	DP2	280X	570x571	3910
81	Dust Proof Strike	DP1		572	
82	Dust Proof Strike		280X	570	3911
1008F	Surface Bolt 8" UL	SB453-8-TB	275D	580	3922
1012F	Surface Bolt 12" UL	SB453-12-TB	276D	581	3923
1008P	Surface Bolt 8" for Padlock	SB0454-8-TB			
1012P	Surface Bolt 12" for Padlock	SB0454-12-TB			
<b>HOLDERS</b>					
3104	Door Holder—Kick Down 4" Cast Iron	FS544	270C	460	1221-4
3105	Door Holder—Kick Down 5" Cast Iron	FS555			
3114	Door Holder—Kick Down 4" Cast Brass/Bronze	FS455	270D		1221-4FF
3115	Door Holder—Kick Down 5" Cast Brass/Bronze		271D		1220-5

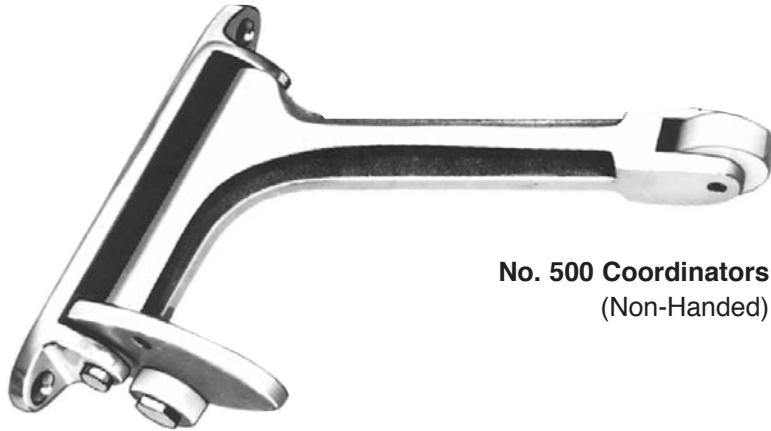


# PRODUCT CROSS REFERENCE CHART

DCI	Item Description	IVES	HAGER	ROCKWOOD	TRIMCO
<b>BUMPERS</b>					
3200T	Wall Bumper—Convex (Cast) Universal Mounting Pack	WS401CVX, 402CVX	230W	400	1270CX
3201T	Wall Bumper—Concave (Cast) Universal Mounting Pack	WS401CCV, 402CCV	234W	403	1270CV
3210T	Wall Bumper—Convex (Wrought) X Toggler & Universal Screw Pack	WS406, 407CVX	BL232W	406	1270WXCP
3211T	Wall Bumper—Concave (Wrought) X Toggler & Universal Screw Pack	WS406, 407CCV	BL236W	409	1270WVCP
<b>STOPS</b>					
3252T	Wall Stop X Toggler & Exp. Shld.	WS33X		487	1298
3260X	Wall Stop X Exp. Shld.	WS443	255W	475	1205
3267X	Wall Stop X Exp. Shld.	WS445	256W	476	1207
3300R	Dome Riser	FS435	246B	449	1210CL
3310X	Dome Stop (Small) X Exp. Shld.	FS436	241F	441	W1210
3320X	Dome Stop (Large) X Exp. Shld.	FS438	243F	443	W1212
3330X	Floor Stop (Small) X Exp. Shld.	FS441	257F	482	1231
3340X	Floor Stop (Large) X Exp. Shld.	FS442	252F	483	1233
3347X	Floor Stop w/Hook (Lg.) X Exp. Shld.	FS451	258F	485	1234
3360X	Floor Stop X Exp. Shld.	FS444	267F	471	1201
3367X	Floor Stop X Exp. Shld.	FS446	268F	472	1224
<b>MISCELLANEOUS</b>					
8S	Door Silencer—Metal	SR64	307D	608	1229A
9S	Door Silencer—Wood	SR65	308D	609	1229B
4030	Roller Latch	RL30	1442	590	1559
4040	Roller Latch w/stop	RL1152	318S	593	1559BL
<b>AUTOMATIC DOOR HOLDERS</b>					
3467X	Automatic Door Holder—Door Mount	FS40	326F	491	1261
3468X	Automatic Door Holder—Door Mount	FS41	327F		1263
3469X	Automatic Door Holder—Door Mount	FS42	328F		1265
3470X	Automatic Door Holder—Door Mount	FS43	329F		1267
<b>AUTOMATIC WALL HOLDERS</b>					
3487X	Automatic Door Holder—Wall Mount	WS40	326W	490	1254



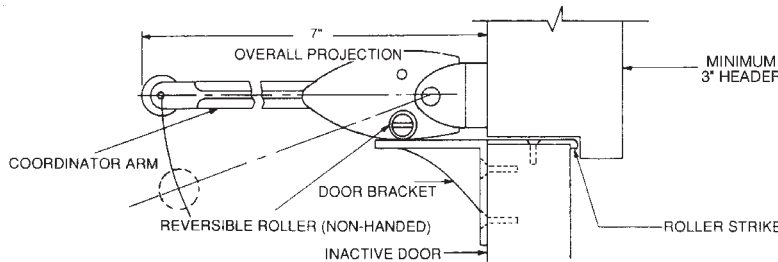
# DOOR COORDINATORS NO. 500 SERIES



**No. 500 Coordinators  
(Non-Handed)**

No. 500 Series Coordinators are nonhanded, UL listed devices used to coordinate the closing of pairs of doors in jamb openings 36" to 104" wide. Coordinator mechanism and inactive door brackets are cast of solid brass or bronze. The roller strike for top of inactive door is wrought stainless steel, brass, or bronze.

The overall projection of the coordinator arm is 7". The rubber roller at the end of the coordinator arm cushions the contact of the active door when it is closing. The reversible nylon roller which lifts the coordinator arm insures smooth and long lasting operation. A curved lip roller strike is supplied with all devices.



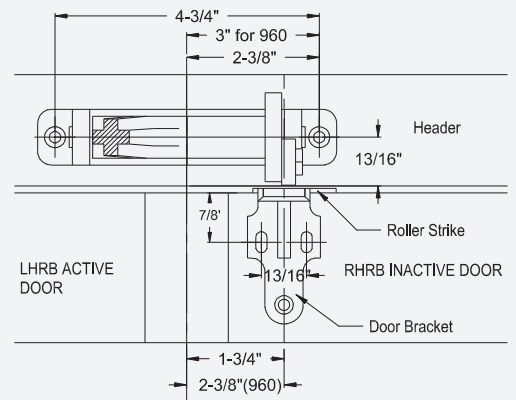
## DOOR ASTRAGAL CHART—NO. 500 COORDINATOR

ASTRAGAL LOCATION	ACTIVE DOOR WIDTHS	
	Without Carry Bar	With Carry Bar
A - No Astragal	18" to 48"	18" to 48"
B - Standard Pull side, Active Dr.	18" to 48"	18" to 34"
C - Push Side, Inactive Dr.	18" to 34"	Do not specify
D - Combination B & C	18" to 30"	Do not specify
E - Rabbeted Dr. Edges	18" to 30"	Do not specify

Chart Dimensions Apply To: Doors hung on standard butts (3/4" offset). Astragal overlap max: 7/8". Max. depth rabbeted door edges: 1-1/8". For other dimensions, consult factory.

**Stock Finishes:** Coordinator, Door Bracket, Carry Bar, Roller Strike  
 US Standard—US3, US10, US10B, US26, US26D  
 BHMA Standard—605, 612, 613, 625, 626

## HEAD FRAME MOUNTING DETAILS



When the active and inactive doors are open, the coordinator arm pivots downward, positioning the arm and rubber roller below the top of the active door. As the active door is closed it comes in contact with the arm and roller and is held open. When the inactive door is closed, the nylon roller on the coordinator mechanism comes in contact with the roller strike and lifts the projecting arm above the top of the active door, allowing it to close in sequence.

When the active door is in the closed position, the door bracket on the inactive door and the nylon roller position the coordinator arm above the top of the door allowing it to open and close freely.

*The No. 500 Coordinator is compatible for use with Door Controls International manual, self-latching and automatic flush bolts. DCI Series 780-790, 842-942-960, 845-945.*



**No. CB Carry Bar**

The No. CB hinged Carry Bar is used when it is possible to open the inactive door before opening the active door. The Carry Bar is not required when the inactive door is furnished with DCI Series Flush Bolts.

### Fasteners:

- Coordinator - 2 ea. #10 x 1" FHMS
- Door Bracket - 3 ea. #8 x 1" FHMS
- Roller Strike - 2 ea. #10 x 1" FHMS

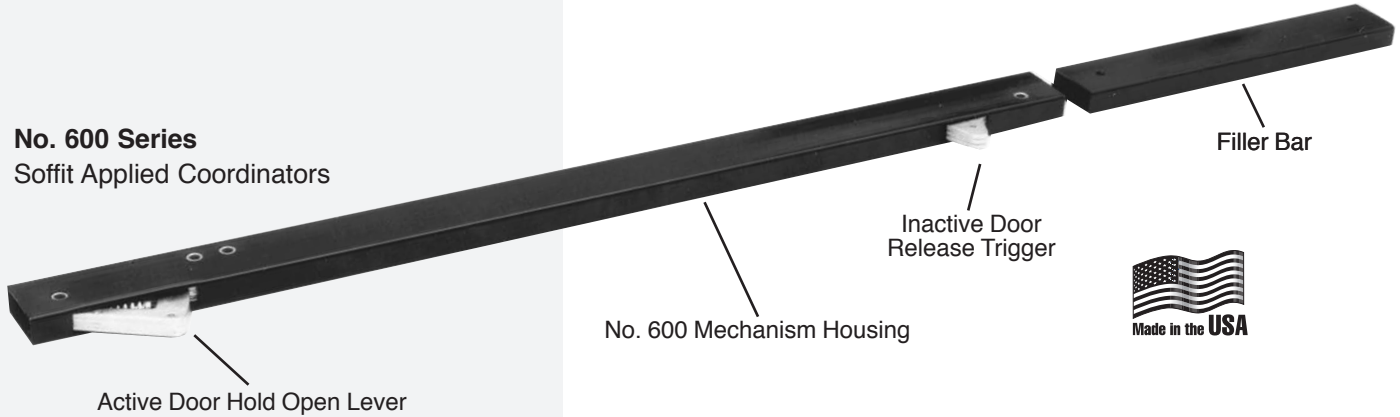
### Packaging

Individually Boxed With Fasteners and Installation Template



# DOOR COORDINATORS NO. 600 SERIES

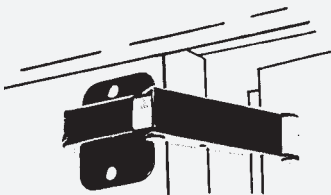
## No. 600 Series Soffit Applied Coordinators



The 600 Coordinator and Filler are mounted on the soffit and painted to match the frame. The maximum projection of the hold open lever and trigger is only 1-1/8", thus the Coordinator and Filler are virtually invisible and appear to be an integral part of the frame opening.

Door strikes are supplied for both active door hold open lever and inactive door release trigger.

Specify the CB Carry Bar when the inactive door is equipped with hardware that permits it to open before the active door. The Carry Bar is not used when the inactive door is equipped with flush bolts.



Manufactured & Assembled  
in Dexter, Michigan  
Printed in the U.S.A. - © 2009

No. 600 Mechanism Housing

Inactive Door  
Release Trigger

Filler Bar



Door Controls International designed and patented the original soffit applied door coordinator which provides a smooth, quiet, invisible, and tamper-proof means of controlling the closing sequence of active and inactive doors.

The 600 Series Coordinators are widely used to control closing cycles of active doors equipped with or without astragals or rab-

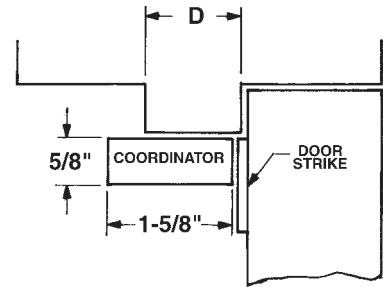
beted door edges, and inactive doors equipped with vertical rod exit devices or automatic and self-latching flush bolts.

No. 600 Coordinators are UL Listed, No. R10849; Certified to ANSI/BHMA 156.3, Grade 1, Type 21, 21A. Cycle tested (100,000) under UL supervision.

Filler Bars are supplied, unless otherwise indicated, with all coordinator series. Fillers are factory cut to correct length indicated by jamb opening to provide an even, unbroken line between active and inactive door hinge stops.

Soffit Width  
Minimum soffit width (Dim. D) for mounting standard series coordinators is 1-1/4". Coordinators are

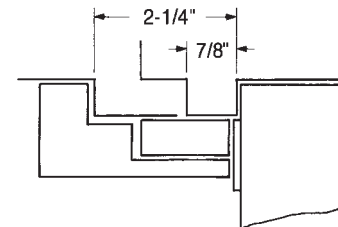
modified for soffit widths 1/2" to 1-1/8". Consult Factory for special applications.



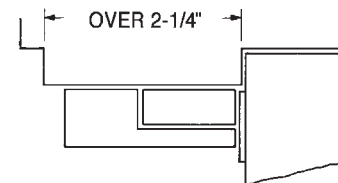
### Mounting Brackets For Soffit Applied Hardware

Order one bracket for each hardware item to be soffit mounted, such as parallel arm shoes, non-fire rated surface applied vertical strikes, door holders brackets, etc.

When ordered bracket(s) are packaged in coordinator carton.



No. AB Bracket for soffit  
7/8" to 2-1/4" wide.



No. C Bracket for soffit  
over 2-1/4" wide.



PATENT NOS. 3822506, 3895461

# ORDER INFORMATION NO. 600 COORDINATORS

B-3

## STANDARD ORDER PROCEDURE

Coordinators and accessories are installed in jamb openings with the following door, frame, and hardware dimensions:

Jamb opening widths—34" to 120"

Minimum soffit widths—1-1/4"

Hinge/Pivot offset—3/4"

Active door widths—18" to 62"

Stop Height—5/8"

Maximum astragal overlap—1"

- Width of Active Door + Width of Inactive Door = Total Width of Opening
- Coordinator Series 6 + Total Width of Opening = Coordinator Size
- Width of Active Door will determine the length of coordinator mechanism

NOTE: Consult factory for SQ Templates for installations having door, frame, or hardware dimensions other than listed above.

Order Number	Coordinator Mechanism	Maximum Active Door Width	Width of Opening
N-635 thru N-654	32" Coord. w/ Filler	up to 28"	35" to 54"
NX-645 thru NX-654	42" Coord. w/ Filler	up to 38"	45" to 54"
655 thru 696	52" Coord. w/ Filler	up to 48"	55" to 96"
L-696 thru L-6112	60" Coord. w/ Filler	up to 56"	96" to 112"
XL-6113 thru XL-6120	66" Coord. w/ Filler	up to 62"	113" to 120"
N-634	32" Mechanism Only	up to 28"	up to 54"
NX-644	42" Mechanism Only	up to 38"	up to 54"
654	52" Mechanism Only	up to 48"	up to 96"
L-662	60" Mechanism Only	up to 56"	up to 112"
XL-668	66" Mechanism Only	up to 62"	up to 120"
18 5/8"	Filler Bar Only	(can be cut down to	52" to 72"
42 5/8"	Filler Bar Only	accommodate various jamb openings)	73" to 96"

Order the L-6 Series for Active Doors over 42" when using a Vertical Rod on the Inactive Door

## EXAMPLES:

Series Number	Jamb Opening Width	Active Door Width	Mechanism Length	Active Door+ Width	Inactive Door Width	Total Width of Opening	Order Number
N-600	from 34" to 54"	up to 28"	32"	24"	+	24" = 48"	N-648
NX-600	from 44" to 54"	up to 38"	42"	36"	+	12" = 48"	NX-648
600	from 55" to 96"	up to 48"	52"	36"	+	24" = 60"	660
600	from 55" to 96"	up to 48"	52"	30"	+	30" = 60"	660
600	from 55" to 96"	up to 48"	52"	36"	+	36" = 72"	672
600	from 55" to 96"	up to 48"	52"	42"	+	42" = 84"	684
600	from 55" to 96"	up to 48"	52"	48"	+	48" = 96"	696
L-600	from 96" to 112"	up to 56"	60"	56"	+	56" = 112"	L-6112
XL-600	from 113" to 120"	up to 62"	66"	60"	+	60" = 120"	XL-6120

## PRIME COAT FINISH

Prime Coat is the standard finish for the 600 Series Coordinator & Mounting Brackets. The black finish is supplied to allow the coordinator, filler bar, & brackets to be painted to match the frame.

Specify: PC—Black Prime Coat  
US28—Powder Coated Grey  
Plated finishes available upon request.

## CARRY BAR NO. CB

Specify when inactive door can be opened prior to the active door. The Carry Bar is not required with Flush Bolts.

Stock Finishes: Prime Coat—PC  
US3, US4, US10, US10B  
US26, US26D, 32, 32D

## MOUNTING BRACKETS

Order one AB or C Bracket for each soffit applied hardware. Brackets are drilled and tapped in field for mounting the specified hardware.

Specify: AB for soffit widths of 7/8" to 2-1/4"

C for soffit widths over 2-1/4"

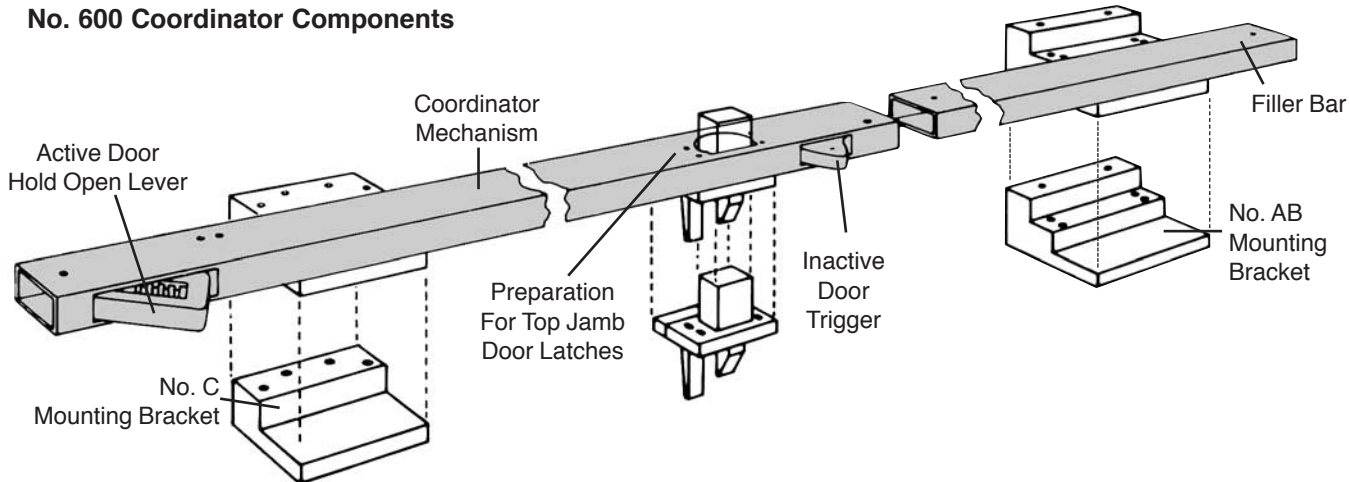
## LABELED SURFACE VERTICAL ROD STRIKES

Specify SQ108 factory prep.

Allows the surface applied strike to be installed directly to the coordinator without interfering with the internal mechanism.



## No. 600 Coordinator Components



## SQ TEMPLATE NUMBERS

Coordinators to be prepared (cutout) for vertical rod mortise top latches and/or plunger rod activators. Standard backset 2-3/4". Add SQ numbers indicated below to order sequence.

**Example** - 1 ea/L696 x (48" ACT) x 2/AB x PC x CB x 26D x 1/SQ 102 (single prep VD 8827F)

Note: Since active door is 48" wide Series L-6 (60") coordinator will be supplied with appropriate filler (34 5/8") if double prep required indicate 2/SQ 102.

## SQ TEMPLATES FOR VERTICAL ROD - FACTORY CUTOUTS

Manufacturer	Device No.	SQ No.	Cutout
Von Duprin	8847, 5547-F	SQ 101	Activator
Von Duprin	8827F	SQ 102	Latch
Von Duprin	9947	SQ 103	Activator
Ruswin/Corbin	ED6400A	SQ 105	Latch
Monarch	17C, 18C	SQ 107	Activator
Precision	1800, FL1800	SQ107	Activator
Adams Rite	3100, 8100	SQ 108	Strike Post
600 w/ Fire Rated Surface Applied Strikes		SQ 108	Internal
600 w/ Pocket Frames or Swing Clear Hinges		SQ 135	Extensions

Note: Use AB/C Brackets for mounting non labeled soffit applied strikes.

For products not listed above, provide product number and manufacturer's template with order.

## IMPORTANT

**Door Closer Selection:** Coordinators cannot be adjusted to control the closing or latching cycles of the active or inactive door. DCI recommends the selection of door closers that conform to ANSI/BHMA standards A156.4. These closers are field adjusted to control both the closing and latching door cycles.

## FASTENERS

Coordinators: 7 ea. 12-24 x 1-1/4" Truss Head, Type C tapping screws  
 Door Strikes: 4 ea. 8 x 1" APS  
 Brackets: 4 ea. 1/4 - 20 x 1/2" PFHMS  
 4 ea. 12-24 x 2" PFH screws  
 Carry Bar: 2 ea. 12-24 x 3/4" PHPANMS  
 2 ea. Sex Nuts 12-24 x 1.70"

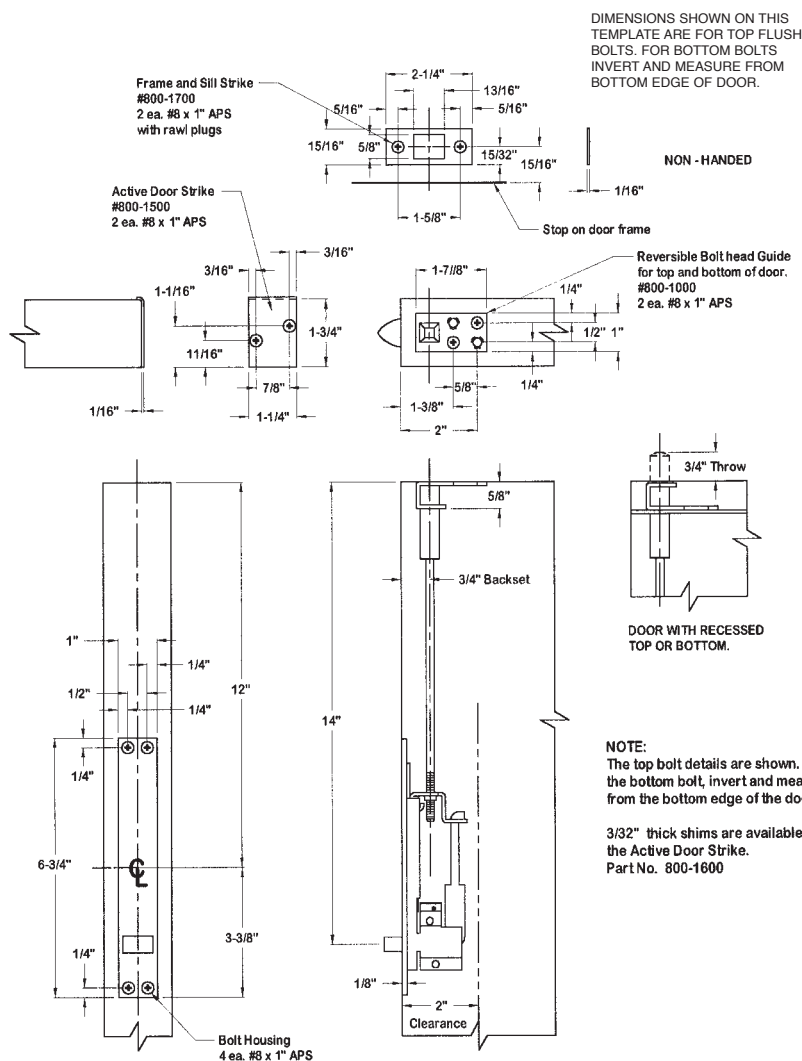
## PACKAGING

Individual Carton  
 1 ea. Coordinators (includes Brackets, Carry Bar)  
 1 ea. Mounting Screw Package, and Door Strikes

## MASTER CARTON

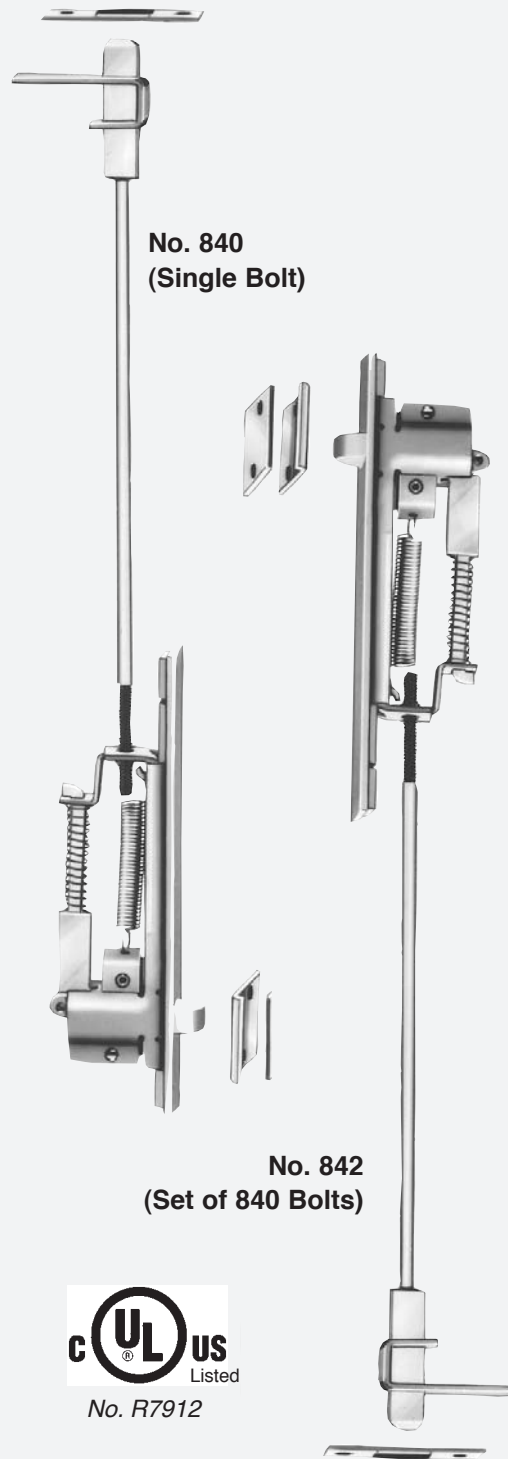
4 ea. Coordinators & Accessories





Up to 8' x 9' Metal Door Pairs  
3-Hour Fire Rating

No. 840  
(Single Bolt)



No. 842  
(Set of 840 Bolts)

No. 840—Non-Handed Single Bolt

No. 840—Top Bolt Only x 8BFB  
(Bottom Fire Bolt—pg. C-6)

No. 842—Set of 840 Bolts

Conforms to ANSI/BHMA 156.3,  
Type 25

**Fully Automatic:** Opening active door automatically retracts top and bottom bolts. Closing active door automatically extends both top and bottom bolts 3/4" into frame and sill strikes, locking inactive door. (Dust proof strike optional.)

**Non-Handed:** No. 842 Automatic Flush Bolts are non-handed. It is not necessary to reverse either top or bottom bolt.

**Adjustable Bolt Head Rods:** Bolts can be vertically adjusted 1-1/2" for unusual floor or frame conditions.

**Low Closing Force:** Patented free floating cams require a maximum of 5 lbs. closing force on active door to extend both top and bottom bolts.

**Override Feature:** Prevents damage to doors or bolts should bolt heads be prevented from entering top or bottom strike.

**Stock Finishes:** Trim Pak (bolt cover plates, screws & strikes) US Standard: US3, US4, US10, US10B, US26, US26D, US32, US32D BHMA Standard: 605, 606, 612, 613, 625, 626, 629, 630.



Manufactured & Assembled  
in Dexter, Michigan



# AUTOMATIC FLUSH BOLTS

Up to 8' x 9' Wood Door Pairs  
1-1/2 Hour Fire Rating



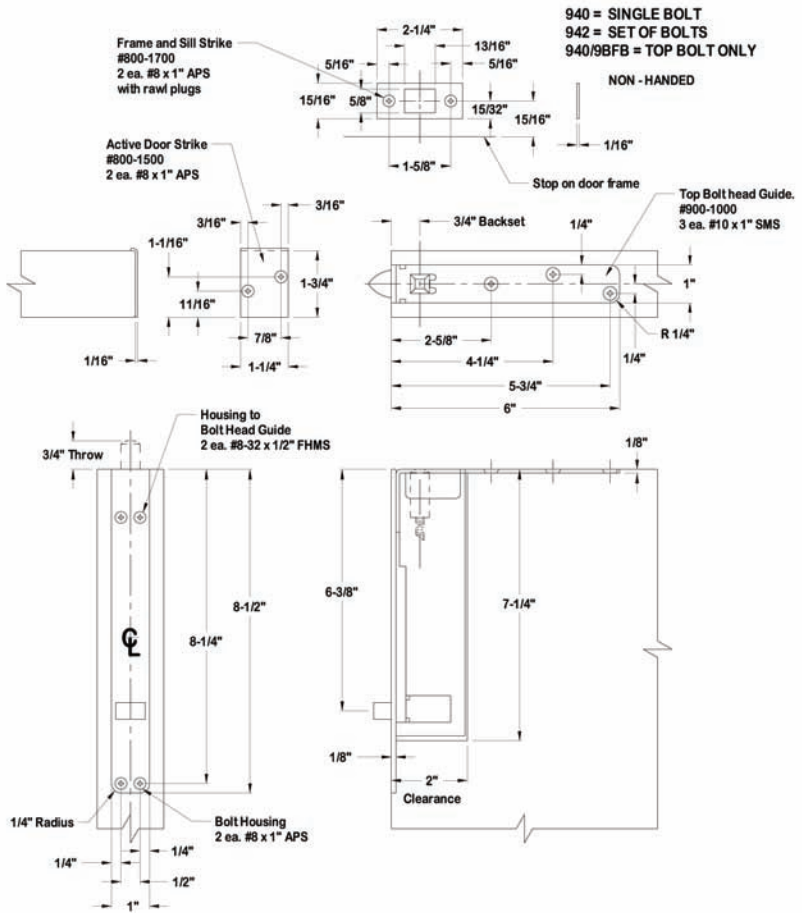
**No. 940**  
**(Single Bolt)**



No. R7912



**No. 942**  
**(Set of 940 Bolts)**



940 = SINGLE BOLT  
942 = SET OF BOLTS  
940/9BFB = TOP BOLT ONLY  
NON - HANDED

No. 940—Non-Handed Single Bolt

*Adjustable Bolt Head Rods:* Bolts can be vertically adjusted 1/2" for unusual clearances.

No. 940—Top Bolt Only x 9BFB (Bottom Fire Bolt see pg. C-6)

No. 942—Set of 940 Bolts

*Low Closing Force:* Patented free floating cams require a maximum of 5 lbs. closing force on active door to extend both top and bottom bolts.

Conforms to ANSI/BHMA 156.3, Type 25

*Fully Automatic:* Opening active door automatically retracts top and bottom bolts. Closing active door automatically extends top and bottom bolts 3/4" into frame and sill strikes, locking inactive door. (Dust proof strike optional.)

*Override Feature:* Prevents damage to doors or bolts should bolt heads be prevented from entering top or bottom strike.

*Non-Handed:* Automatic flush bolts are non-handed. It is not necessary to reverse either top or bottom bolt.

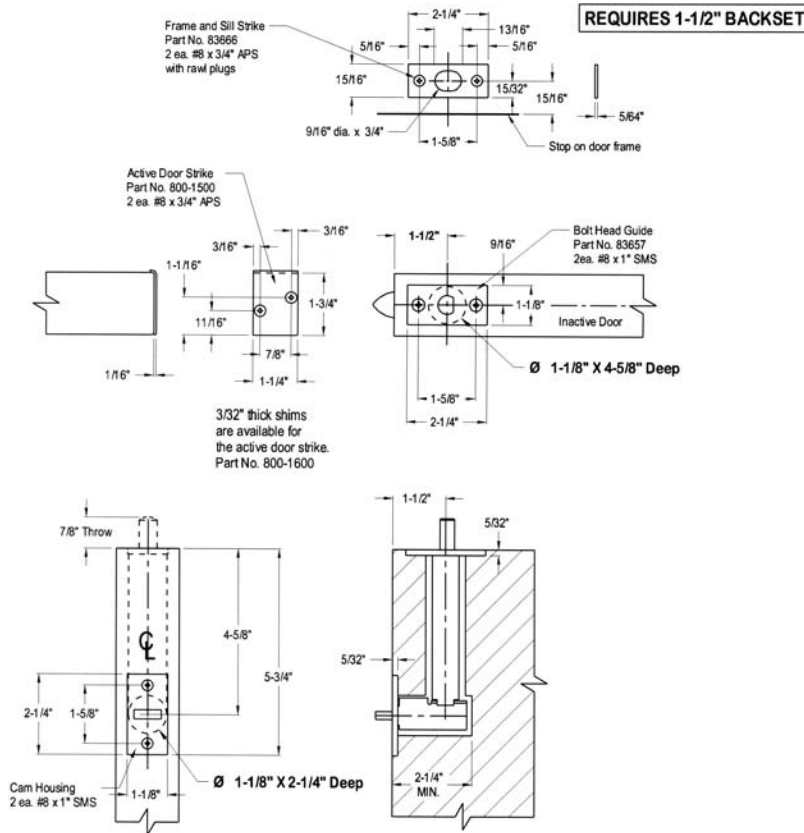
*Stock Finishes:* Trim Pak (bolt cover plates, screws and strikes)  
US Standard: US3, US4, US10, US10B, US26, US26D, US32, US32D  
BHMA Standard: 605, 606, 612, 613, 625, 626, 629, 630.

US Patents—4611840, 4005886

Manufactured & Assembled  
in Dexter, Michigan



## Patented Two-Piece Design



Up to 8' x 9' Wood Door Pairs  
1-1/2 Hour Fire Rating



**No. 960  
(Single Bolt)**



**No. 962  
(Set of 960 Bolts)**

**Door Preparation:** To prep the door for the 960 Bolt, only two 1-1/8" diameter holes are required. The top bolt is installed first, and then the edge bolt. The edge bolt's grooved channel will engage the top bolt's grooved bottom, locking them together.

**No. 960—Non-Handed Single Bolt**

**Override Feature:** Prevents damage to doors or bolts should bolt heads be prevented from entering top or bottom strike.

**No. 960—Top Bolt Only x 9BFB**  
(Bottom Fire Bolt see pg. C-6)

**No. 962—Set of 960 Bolts**

**Low Closing Force:** ADA Compliant. Patented free floating cams require a maximum of 3 lbs closing force.

Conforms to ANSI/BHMA 156.3, Type 25

**Adjustable Bolt Head Rods:** Bolts can be vertically adjusted 1/2" for unusual clearances.

**Fully Automatic:** Opening active door automatically retracts top and bottom bolts. Closing active door automatically extends top and bottom bolts into frame and sill strikes, locking inactive door. (Dust Proof Strike optional for 962 Set of Bolts)

**Stock Finishes:** US3, 4, 10, 10B, 26, 26D, 32, 32D  
ANSI/BHMA: 605, 606, 612, 613, 625, 626, 629, 630.

**Non-Handed:** Automatic flush bolts are non-handed. It is not necessary to reverse either top or bottom bolt.

Tested Over 1 Million Cycles

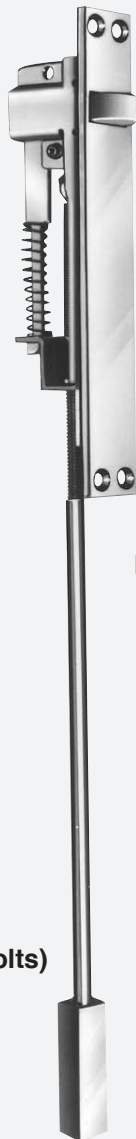


# SELF LATCHING FLUSH BOLTS

Up to 8' x 10' Metal Door Pairs  
3 Hour Fire Rating



**No. 805**  
(Top Bolt Only)



**No. 840**

**No. 845**  
(Set of 805 and 840 Bolts)



No. 805—Non-Handed Top Bolt

No. 805—Top Bolt only x 8BFB  
(Bottom Fire Bolt see pg. C-6)

No. 840—Non-Handed Bottom Bolt

No. 845—Set of 805 Top Bolt and  
840 Bottom Bolt

Conforms to ANSI/BHMA 156.16,  
Type 27, ANSI Curved Lip Strike

**Operation:** Top bolt No. 805 shall automatically engage curved lip frame strike every time the inactive door is closed. Bolt shall remain engaged until retracted by depressing plunger on the face of the bolt. The bottom bolt 840 will engage sill strike only when active door is closed. When active and inactive doors are closed top and bottom bolts are engaged.

**Non-Handed:** No. 845 Constant

Self-Latching Flush Bolts are non-handed. It is not necessary to reverse either top or bottom bolt.

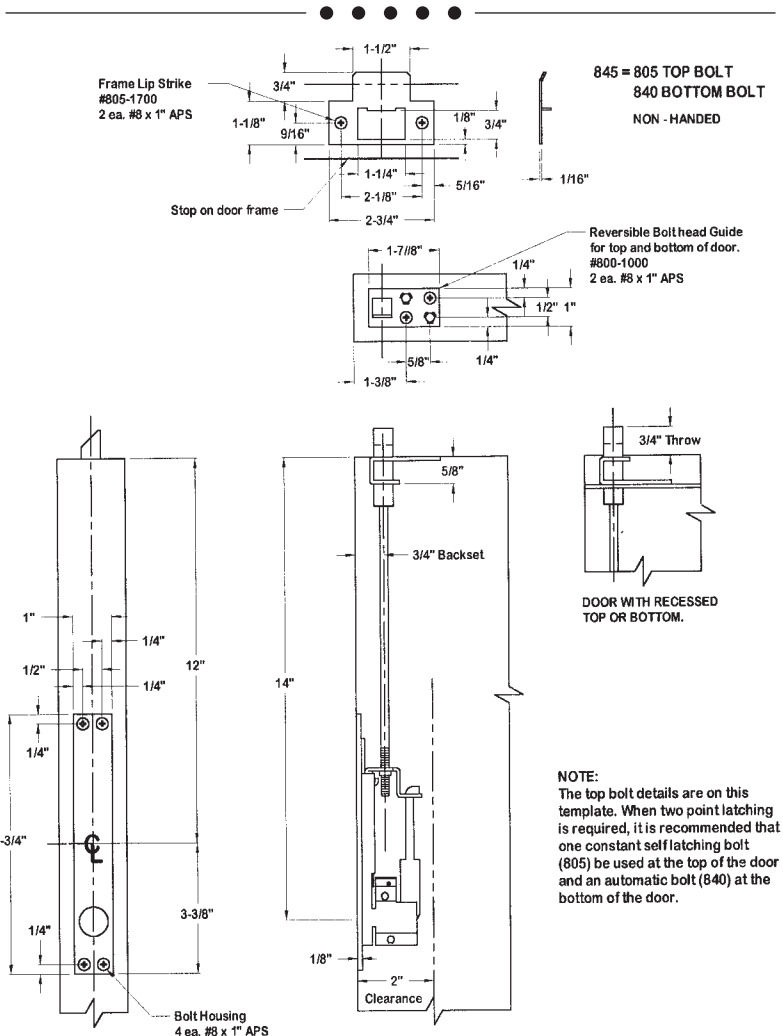
**Adjustable Bolt Head Rods:** Bolts can be vertically adjusted 1-1/2" for unusual floor or frame conditions.

**Low Closing Force:** Patented free floating cams require a maximum of 5 lbs. closing force on active door to extend bottom bolt.

**Override Feature:** Prevents damage to doors or bolts should bolt heads be prevented from entering top or bottom strike.

**Stock Finishes:** Trim Pak (bolt cover plates, screws and strikes)  
US Standard: US3, US4, US10, US10B, US26, US26D, US32, US32D  
BHMA Standard: 605, 606, 612, 613, 625, 626, 629, 630.

US Patents—4611840, 4005886



# SELF LATCHING FLUSH BOLTS

No. 905—Non-Handed Top Bolt

No. 905—Top Bolt only x 9BFB (Bottom Fire Bolt see pg. C-6)

No. 940—Non-Handed Bottom Bolt

No. 945—Set of 905 Top Bolt and 940 Bottom Bolt

Conforms to ANSI/BHMA 156.16, Type 27, ANSI Curved Lip Strike

**Operation:** Top bolt No. 905 shall automatically engage curved lip frame strike every time the inactive door is closed. Bolt shall remain engaged until retracted by depressing plunger on the face of the bolt. The bottom bolt 940 will engage sill strike only when active door is closed. When active and inactive doors are closed top and bottom bolts are engaged.

**Non-Handed:** No. 945 Constant Self-Latching Flush Bolts are non-handed. It is not necessary to reverse either top or bottom bolt.

**Adjustable Bolt Head Rods:** Bolts can be vertically adjusted 1/2" for unusual floor or frame conditions.

**Low Closing Force:** Patented free floating cams require a maximum of 5 lbs. closing force on active door to extend bottom bolt.

**Override Feature:** Prevents damage to doors or bolts should bolt heads be prevented from entering top or bottom strike.

**Stock Finishes:** Trim Pak (bolt cover plates, screws and strikes) US Standard: US3, US4, US10, US10B, US26, US26D, US32, US32D BHMA Standard: 605, 606, 612, 613, 625, 626, 629, 630.

Up to 8' x 9' Wood Door Pairs  
1-1/2 Hour Fire Rating



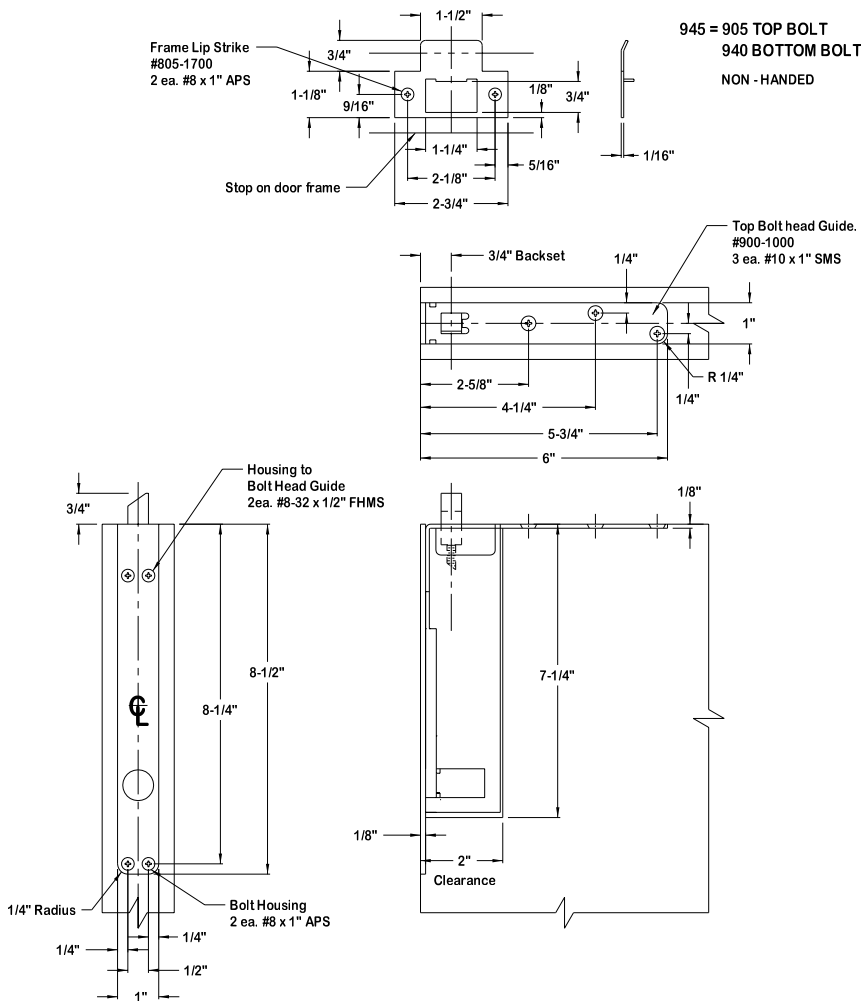
No. 905  
(Top Bolt Only)



No. 940

No. 945  
(Set of 905 and 940 Bolts)

US Patents—4611840, 4005886



Manufactured & Assembled  
in Dexter, Michigan

Printed in the U.S.A. - © 2009



# BOTTOM FIRE BOLT

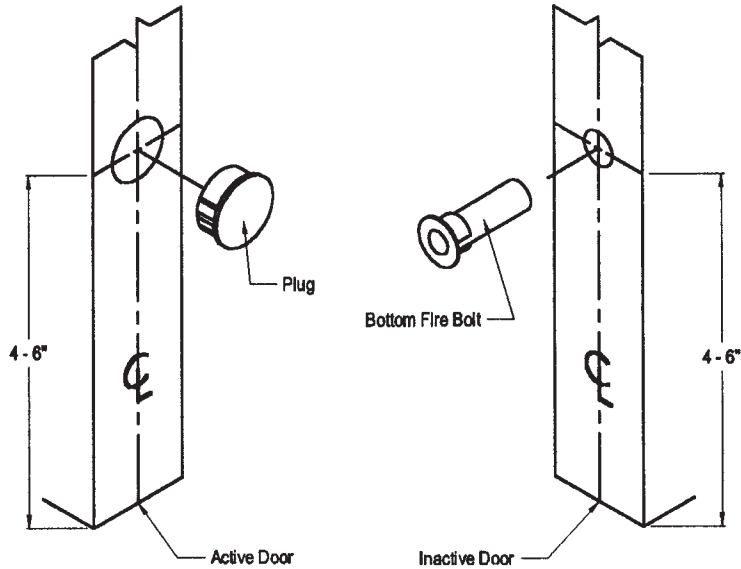
## 3-Hour Fire Rating—Metal Doors

Automatic

Self-Latching



## 8BFB & 9BFB Bottom Fire Bolt



## 20 Minutes Fire Rating—Wood Doors

Automatic



Self-Latching



The 805, 840, 905, 940, and 960 Automatic and Self Latching Top Flush Bolts are UL Listed for pairs of fire doors when specified with the 8BFB or 9BFB Bottom Fire Bolt.

*No. 8BFB and 9BFB*—Bottom Fire Bolts eliminate the bottom automatic flush bolt and dust proof strike. The BFB is installed horizontally in the inactive door, with a mating hole in the edge of the active door. When subjected to 230°F the BFB projects a bolt, locking the leaves together.

### Ordering Information:

#### Metal Doors

- 840-Finish/8BFB 840 Single Automatic Flush Bolt x Bottom Fire Bolt
- 805-Finish/8BFB 805 Single Self-Latching x Bottom Fire Bolt
- 8BFB Bottom Fire Bolt Only
- CPK-840-Finish Cover Plate Kit for existing bottom 840 prep

#### Wood Doors

- 940-Finish/9BFB 940 Single Automatic Flush Bolt x Bottom Fire Bolt
- 960-Finish/9BFB 960 Single Automatic Flush Bolt x Bottom Fire Bolt
- 905-Finish/9BFB 905 Single Self-Latching x Bottom Fire Bolt
- 9BFB Bottom Fire Bolt Only

### Stock Finishes:

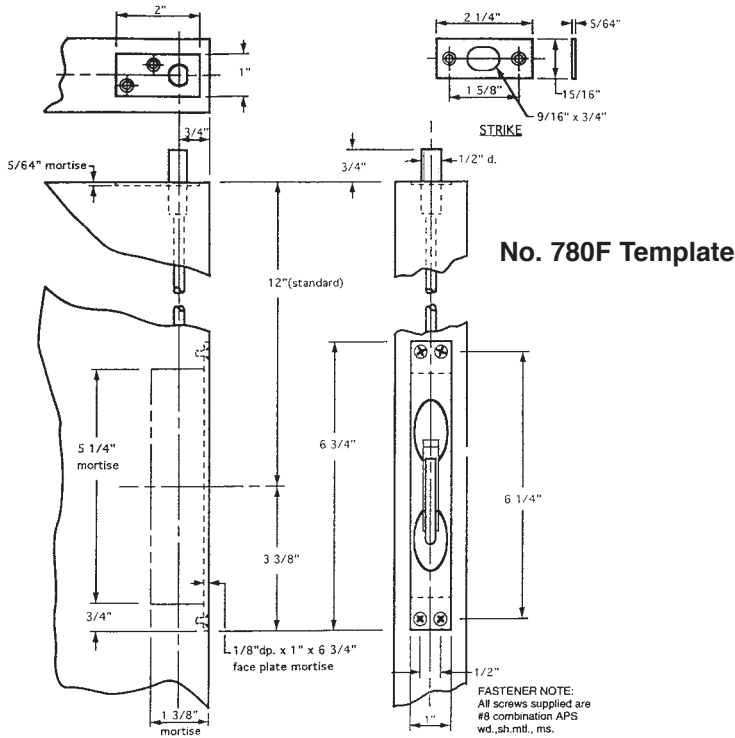
- 805, 840, 905, 940, 960, & CPK-840
- US Standard: US3, 4, 10, 10B, 26, 26D, 32, 32D
- ANSI/BHMA: 605, 606, 610, 613, 625, 626, 629, 630

- 8BFB & 9BFB
- US32D, ANSI/BHMA: 630



**Packaging:** Individually bagged, and packaged with the automatic flush bolt.





**No. 780F Template**

Solid Brass or Bronze Material  
Top Strike Std. ANSI A115.4  
Top Frame Operation

Conforms to ANSI/BHMA 156.16,  
BHMA L14251

No. 780F—Rod lengths available.  
All rods have 1/2" adjustment for  
door and strike clearance.

*Stock Finishes:* US Standard:  
US3, US4, US10, US10B, US26,  
US26D  
BHMA Standard: 605, 606, 612,  
613, 625, 626

FASTENER NOTE:  
All screws supplied are  
#8 combination APS  
wd., sh.mtl., ms.

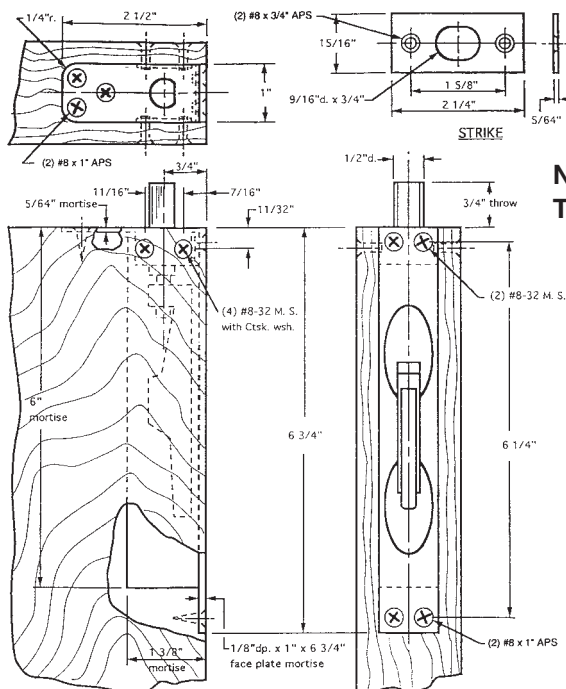
Up to 8' x 10' Metal Door Pairs  
3 Hour Fire Rating



**No. 780 F**



No. R13354



**No. 790F  
Template**

Solid Brass or Bronze Material  
Top Strike Std. ANSI A115.4

*Stock Finishes:* US Standard:  
US3, US4, US10, US10B, US26,  
US26D  
BHMA Standard: 605, 606, 612,  
613, 625, 626

Conforms to ANSI/BHMA 156.16,  
BHMA L14261

Up to 8' x 10' Wood Door Pairs  
1-1/2 Hour Fire Rating



**No. 790 F**



# DUST PROOF STRIKES

**No. 82**



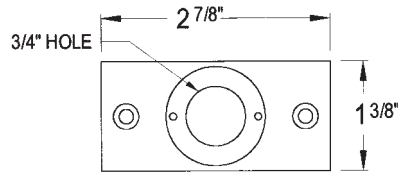
Conforms to ANSI/BHMA 156.16, L14021

*Stock Finishes:* US Standard: US3, 4, 10, 10B, 26, 26D

BHMA Standard: 605, 606, 612, 613, 625, 626

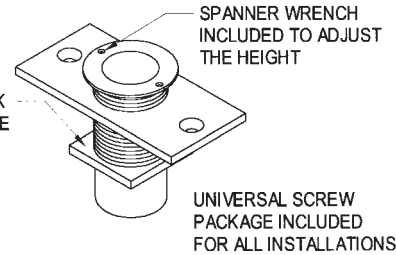
Fasteners: Universal Screw Package included for all installations

**82 Template**

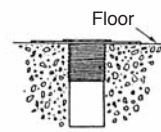


PREP HOLE: 1" DIA X 2" DEEP

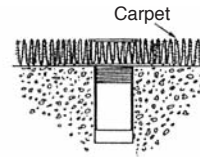
LOCK NUT TO LOCK HEIGHT OR SECURE IN THRESHOLD



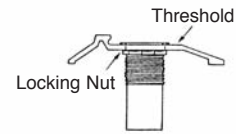
**Applications**



CONCRETE APPLICATION



CARPET APPLICATION



THRESHOLD APPLICATION

The 82 Universal Dust Proof Strike is designed to eliminate dust and debris from collecting in the floor strike. The plate is both adjustable and removable, making it versatile for carpet, threshold, or concrete applications. It is compatible with all types of DCI flush bolts.

**No. 81**



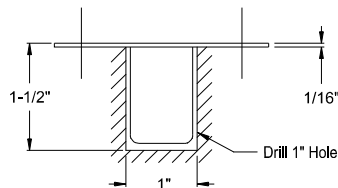
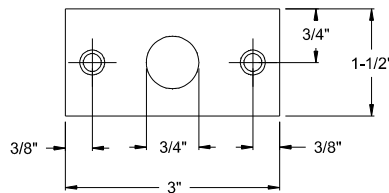
Conforms to ANSI/BHMA 156.16, L04021

*Stock Finishes:* US Standard: US32, 32D

BHMA Standard: 629, 630

Fasteners: 1 ea. Tru Arc Ring

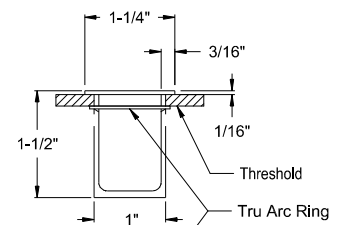
**80 Template**



**Threshold Applications**

**81 Template**

Prep Hole Size to 1" Diameter



**Floor Applications**

**No. 80**



Conforms to ANSI/BHMA 156.16, L04021

*Stock Finishes:* US Standard: US32, 32D

BHMA Standard: 629, 630

Fasteners: 2 ea. #8 X 3/4" APS with Rawl Plugs



The 80 and 81 Dust Proof Strikes are designed to eliminate dust and debris from collecting in the floor strike. They are compatible with all DCI flush bolts.

## Wall Bumpers

- Durable vinyl bumper with tamper proof concealed mounting
- A universal mounting package is supplied for easy ordering

### 3200T Cast Convex Wall Bumper

Conforms to ANSI/BHMA 156.16, L12101  
 Manufactured of heavy-duty cast brass

### 3201T Cast Concave Wall Bumper

Conforms to ANSI/BHMA 156.16, L12251  
 Manufactured of heavy-duty cast brass

### Finishes

US3, US4, US10, US10B, US26, US26D

### 3210T Wrought Convex Wall Bumper

Conforms to ANSI/BHMA 156.16, L02101  
 Manufactured of wrought, brass or stainless steel

### 3211T Wrought Concave Wall Bumper

Conforms to ANSI/BHMA 156.16, L02551  
 Manufactured of wrought, brass or stainless steel

### Finishes

US3, US4, US10, US10B, US26, US26D, US32, US32D

### Universal Mounting Package

- 1 Ea. No. 10 x 1-1/2" APS
- 1 Ea. No. 10 Plastic Toggler
- 1 Ea. No. 10 Plastic Shield

### 300C Rubber Bumper

Durable vinyl with adhesive mounting



NO. 3200T



NO. 3201T



NO. 3210T



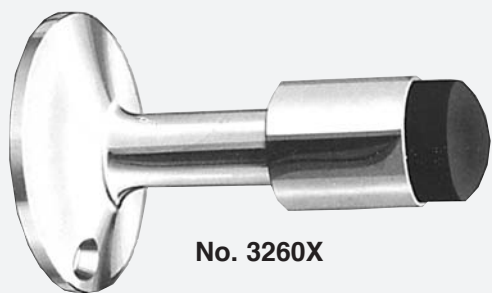
NO. 3211T



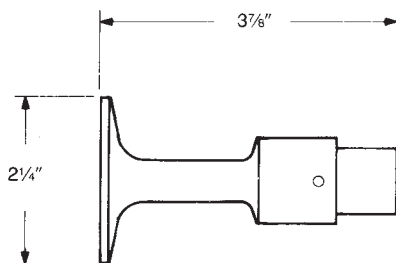
NO. 300C

NO.	DESCRIPTION	FINISHES
300C	Concave Rubber	Gray
3200T	Cast Convex	US3, 4, 10, 10B, 26, 26D
3201T	Cast Concave	US3, 4, 10, 10B, 26, 26D
3210T	Wrought Convex	US3, 4, 10, 10B, 26, 26D, 32, 32D
3211T	Wrought Concave	US3, 4, 10, 10B, 26, 26D, 32, 32D

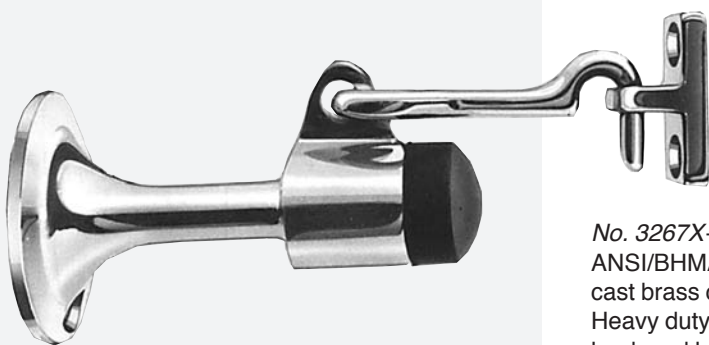




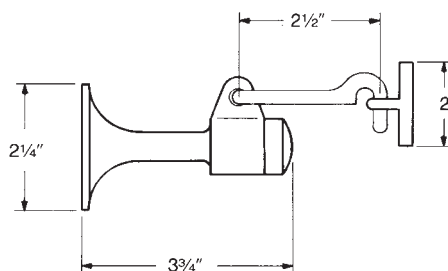
No. 3260X



No. 3260X—Conforms to ANSI/BHMA 156.16. Solid cast brass or bronze. Heavy duty wall stop with 3 7/8" long projection.



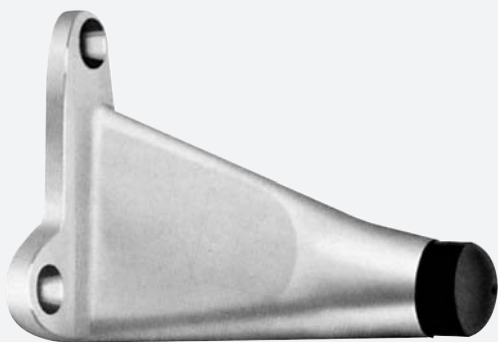
No. 3267X



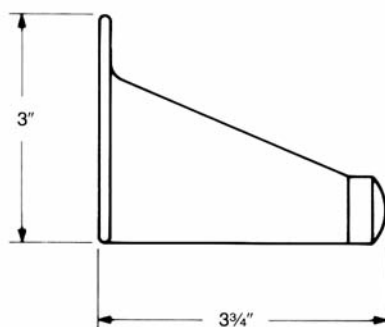
No. 3267X—Conforms to ANSI/BHMA 156.16. Solid cast brass or bronze. Heavy duty wall stop with hook and holder.

*Finishes: US Standard: US3, US4, US10, US10B, US26, US26D*  
*BHMA Standard: 605, 606, 612, 613, 625, 626*

*Suffix X Fasteners: 1 ea. 5/16" X 2" lag screw; 1 ea. 5/16" X 2" machine stud and tamper; and 1 ea. No. 12 X 1 1/4" SMS X No. 12 plastic anchor.*



No. 3252T



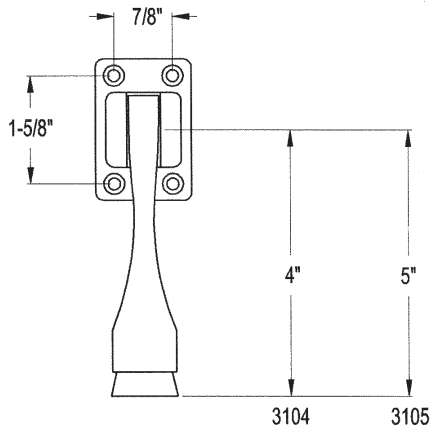
No. 3252—Conforms to ANSI/BHMA 156.16. Solid cast brass or bronze with replaceable phenolic bumpers. Recommended max. door weight, 180 lbs. Solid wall mounting.

**3252T—26D**

Fasteners—drywall, wood, masonry

- 3 each 1/4" x 1-1/2" FHMS
- 3 each poly toggle
- 3 each No. 12 x 1-1/4" FHMS
- 3 each expansion shield





No. 3104-4" & 3105-5"—Rugged cast iron kick down holders conform to ANSI/BHMA 156.16. Hinged arm held up by spring locks. Serrated rubber shoe holds door firmly in any position. Rubber shoe is threaded for easy, secure replacement

Sprayed paint finishes: AL-aluminum, BRZ-bronze.



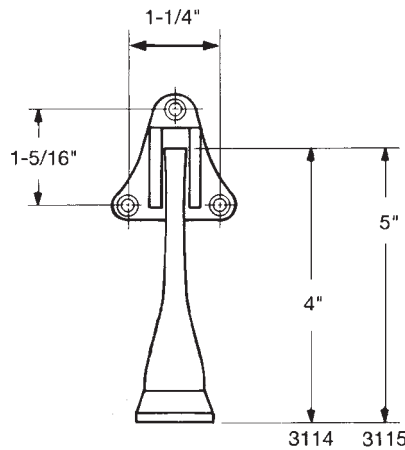
No. 3104  
No. 3105

See drawing for current product style.

No. 3114-4" & 3115-5"—Beautifully finished solid cast brass or bronze kick down holders. Conform to ANSI/BHMA 156.16.

Minimum width bottom door rail:  
Nos. 3104 & 3114 - 4" rails  
Nos. 3105 & 3115 - 5" rails

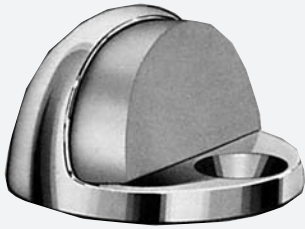
Stock Finishes:  
US Standard: US3, US4, US10, US10B, US26, US26D  
BHMA Standard: 605, 606, 612, 613, 625, 626



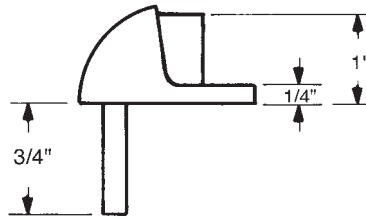
No. 3114  
No. 3115

ITEM NO.	FASTENERS
3104 3105	3 each #6 X 3/4" combination wood and machine screws
3114 3115	3 each #6 x 3/4" combination wood and machine screws

# DOME STOPS



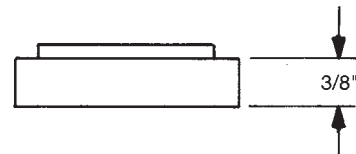
**No. 3310X**



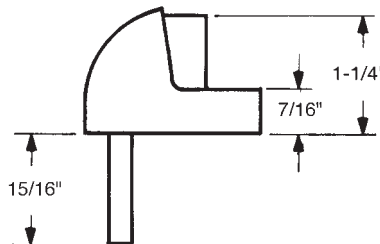
*No. 3310X*—Solid cast brass or bronze. Conforms to ANSI/BHMA 156.16. Durable rubber cushion.

*No. 3300R*—Cast aluminum stack riser for 3310X dome stop (3/8" riser).

*Finishes:* US Standard: US3, US4, US10, US10B, US26, US26D  
BHMA Standard: 605, 606, 612, 613, 625, 626



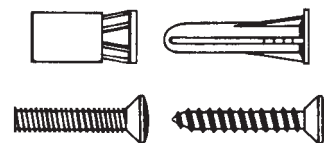
**No. 3320X**



*No. 3320X*—Solid cast brass or bronze. Conforms to ANSI/BHMA 156.16. Durable rubber cushion.

*Finishes:* US Standard: US3, US4, US10, US10B, US26, US26D  
BHMA Standard: 605, 606, 612, 613, 625, 626

*Fasteners:* 3310X and 3320X dome stops are individually packaged with wood screws, machine screws, lead shields, and plastic anchors. 3310X anchor post will accommodate one 3300R riser.



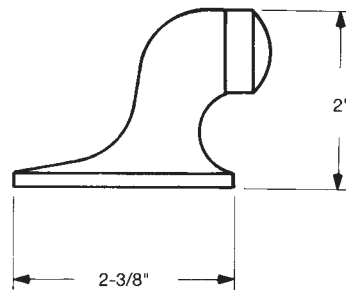
Door Controls' Floor Stops and Holders are manufactured of cast brass and/or cast bronze to provide strength and durability for heavy duty commercial applications. They conform to ANSI/BHMA and Federal Specifications. Floor stops and holders are specified according to the bumper contact heights. Heights available from 1 5/8" to 2 5/8". Fasteners for masonry installation included with each floor stop.

Floor stops are available in the following stock finishes: US Standard: US3, US4, US10, US10B, US26, US26D  
BHMA Standard: 605, 606, 612, 613, 625, 626

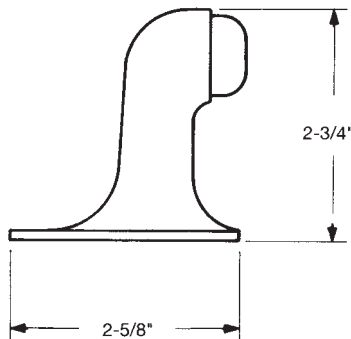


**No. 3330X**

*No. 3330X*—Heavy duty cast brass or cast bronze. Conforms to ANSI/BHMA 156.16. Brass/Bronze L12131. Bumper contact height 1 5/8".



**No. 3340X**

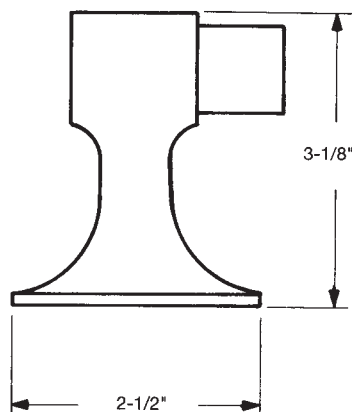


*No. 3340X*—Heavy duty cast brass or cast bronze. Conforms to ANSI/BHMA 156.16. Brass/Bronze L12131 conforms to Fed. Spec. No. 1328 E. Bumper contact height 2 1/4".

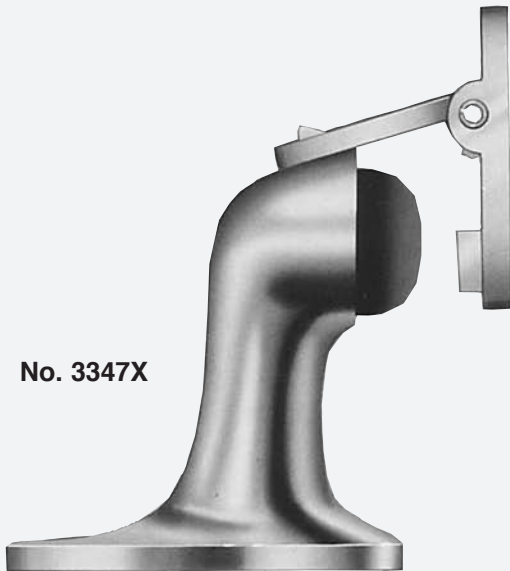


**No. 3360X**

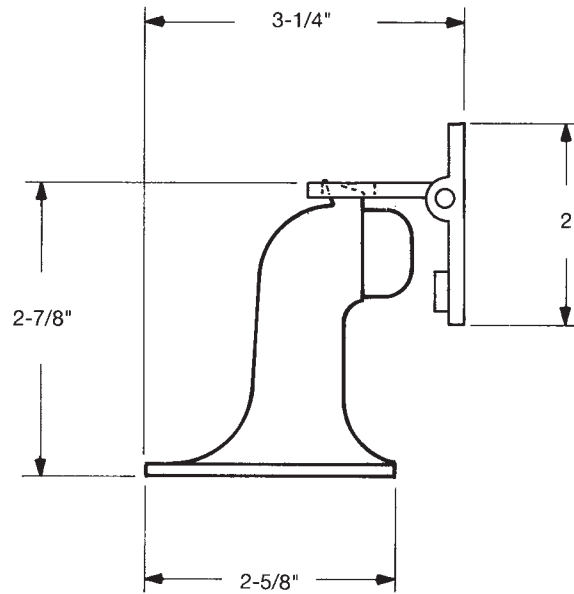
*No. 3360X*—Heavy duty cast brass or cast bronze. Conforms to ANSI/BHMA 156.16. Brass/Bronze L12131 conforms to Fed. Spec. No. 1328 E. Bumper contact height 2 5/8".



# FLOOR STOPS & HOLDERS



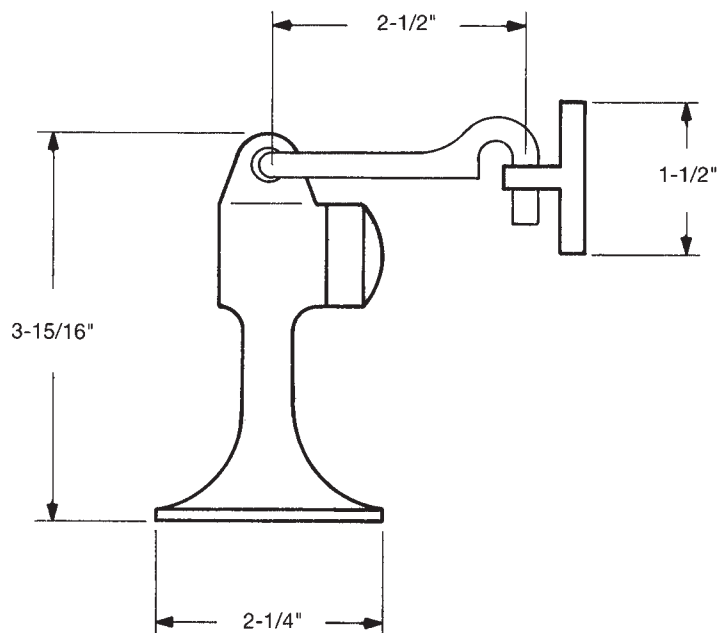
No. 3347X



No. 3347X—Heavy duty cast brass or cast bronze. Floor stop with cast strike and hinged holder. Hinged holder engages cast projection on top of floor stop. Raising the holder releases the door. Conforms to ANSI/BHMA 156.16. Brass/Bronze L11371 conforms to Fed. Spec. No. 1329 E. Bumper contact height: 2 1/4".

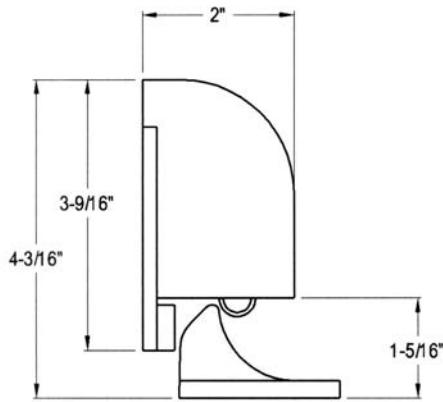


No. 3367X



No. 3367X—Heavy duty cast brass or cast bronze. Floor stop with cast hook and holder. Conforms to ANSI/BHMA 156.16. Brass/Bronze L11371 conforms to Fed. Spec. No. 1329 E. Bumper contact height: 2 5/8".



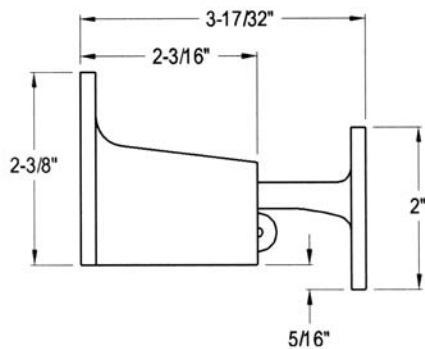


No. 3467X—Conforms to ANSI/BHMA 156.16, L11301. Easy operation with a push and pull on the door for open and release. Durable die cast brass construction for heavy traffic areas. The holder is mounted on the door, and the strike on the floor. Designed to accommodate a wide range of door to floor clearances. Supplied with a universal screw package for all types of applications.



No. 3467X

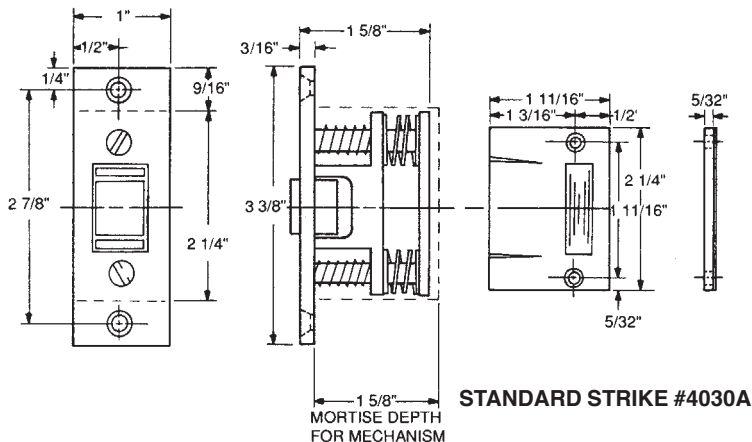
ITEM NO.	DOOR TO FLOOR CLEARANCE	FINISH
3467X	1/2" or Less	US3, 4, 10, 10B, 26, 26D
3468X	9/16" to 1-1/16"	US3, 4, 10, 10B, 26, 26D
3469X	1-1/8" to 1-9/16"	US3, 4, 10, 10B, 26, 26D
3470X	1-5/8" to 2-1/16"	US3, 4, 10, 10B, 26, 26D



No. 3487X

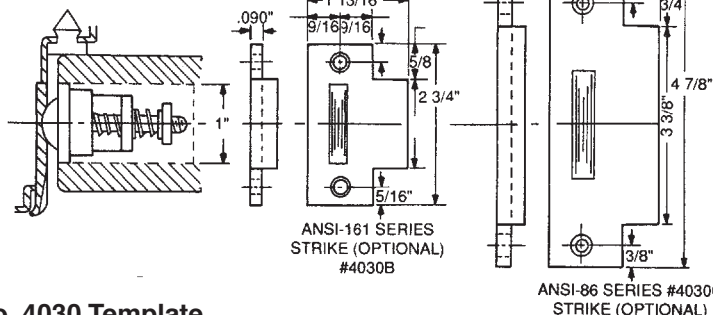
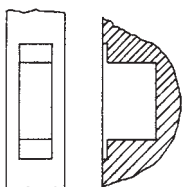
No. 3487X—Conforms to ANSI/BHMA 156.16, L11291. Easy operation with a push and pull on the door for hold open and release. Durable die cast brass construction for heavy traffic areas. The holder is mounted on the wall and the strike is mounted on the door, with a projection of 3 1/2". Supplied with a universal screw package for all types of applications.

# ADJUSTABLE ROLLER LATCH



STANDARD STRIKE #4030A

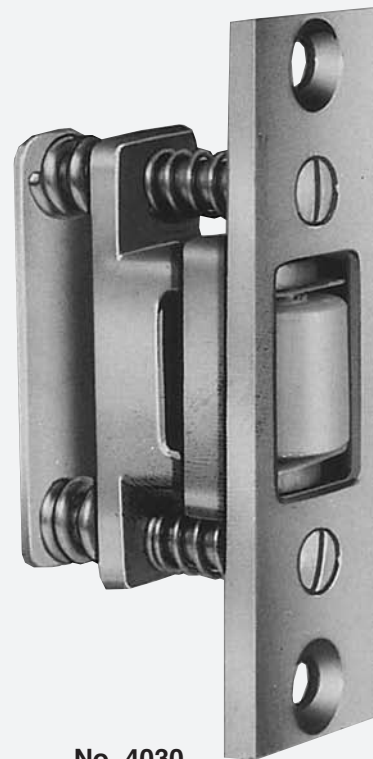
**MORTISE DETAIL**



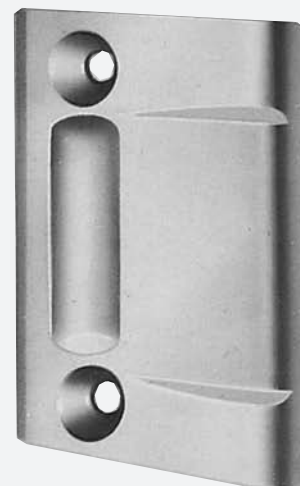
ANSI-161 SERIES STRIKE (OPTIONAL) #4030B

ANSI-86 SERIES #4030C STRIKE (OPTIONAL)

No. 4030 Template



No. 4030



No. 4030A

Adjustable roller latches are a versatile piece of hardware which can be used for a variety of applications. Roller latch easily adjusts to provide the desired contact between roller and applicable frame strike. Latch pressure is adjusted without removing the roller latch from the door.

Adjustable roller latches are specified when doors are furnished with push/pull hardware, and when quiet closing and opening of the door is desired.

The 4030 latch is supplied with No. 4030A cast strike as standard; a wrought roller strike No. 4030B for ANSI-161 frame cut out, and No. 4030C wrought roller strike for ANSI-86 frame cut out are available options.

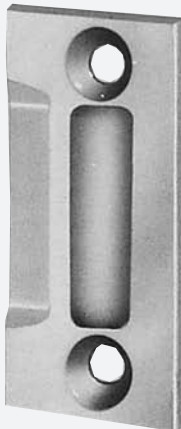
Stock Finishes:  
 US Standard: US3, US4, US10, US10B, US26, US26D  
 BHMA Standard: 605, 606, 612, 613, 625, 626



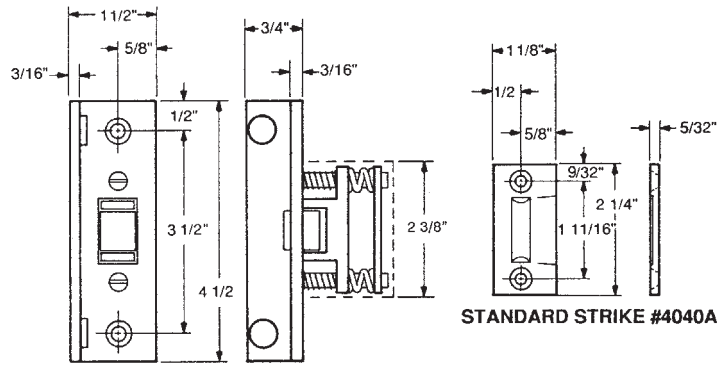
# ADJUSTABLE ROLLER LATCH (ANGLE STOP)



No. 4040



No. 4040A

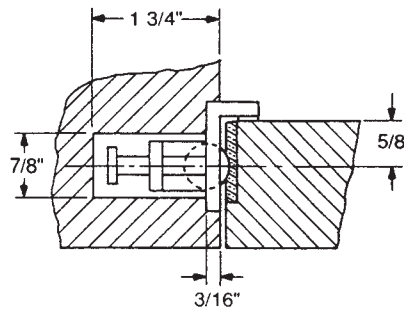
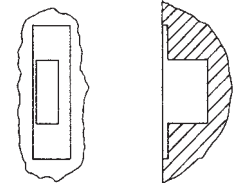


STANDARD STRIKE #4040A

### MORTISE DETAIL

#### SCREW DETAIL

- |              |                |
|--------------|----------------|
| ROLLER LATCH | 2 ea #8-32 APS |
|              | 2 ea #10 WS    |
| STRIKE       | 2 ea #8-32 APS |
|              | 2 ea #8 WS     |



No. 4040 Template

The 4040 adjustable roller latch has the same features as the 4030 roller latch. The angle face is manufactured of 3/16" solid cast brass or bronze and equipped with door silencers to provide a combination door stop and roller latch.

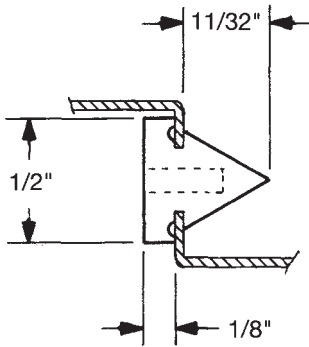
jamb. Gates, flush closet, storage doors, and flush panel doors are applications where the 4040 latch and stop can be used.

The No. 4040A cast roller strike is supplied as a standard.

The 4040 adjustable roller latch is specified where frame stop strip is not furnished or required. The roller latch and stop can be installed on head frames or side

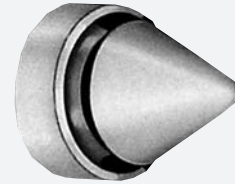
*Stock Finishes:* US Standard: US3, US4, US10, US10B, US26, US26D  
BHMA Standard: 605, 606, 612, 613, 625, 626





No. 8S—Gray rubber-metal frames

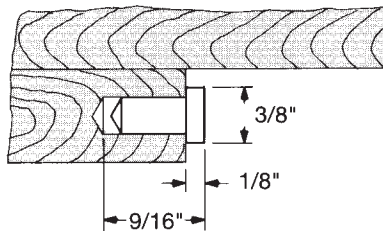
100 ea. per box wt. 1/4 lb.  
 1000 ea. per box wt. 2 1/2 lbs.  
 5000 ea. per box wt. 12 lbs.



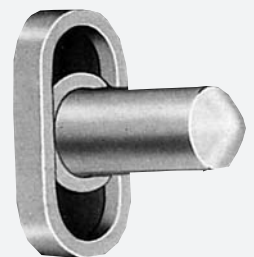
No. 8S

No. 9S—Gray rubber-wood frames

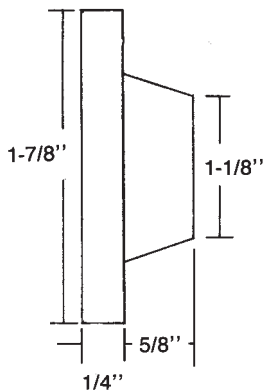
100 ea. per box wt. 1/4 lb.  
 1000 ea. per box wt. 3 1/2 lbs.  
 5000 ea. per box wt. 17 lbs.



No. 9S

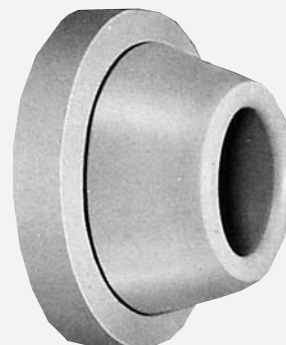


Note: 8S and 9S silencers stocked in gray rubber. White available on request. (Photographed products shown twice actual size.)



No. 300C—Concave Wall Bumper (gray rubber)

25 ea. per box wt. 3 lbs.  
 100 ea. per box wt. 15 lbs.  
 500 ea. per box wt. 65 lbs.

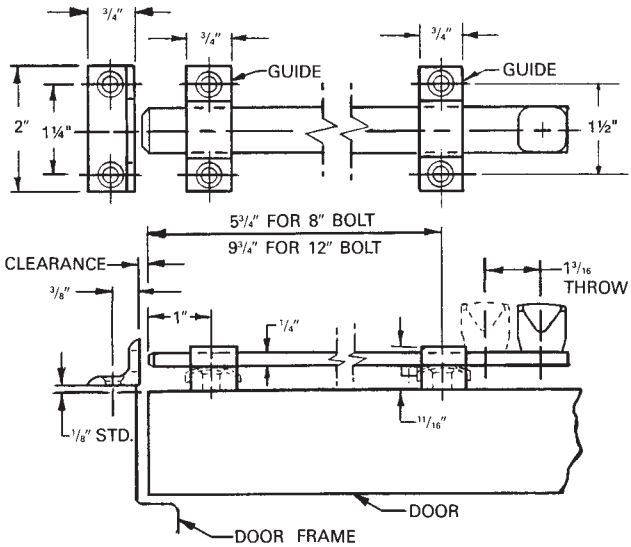
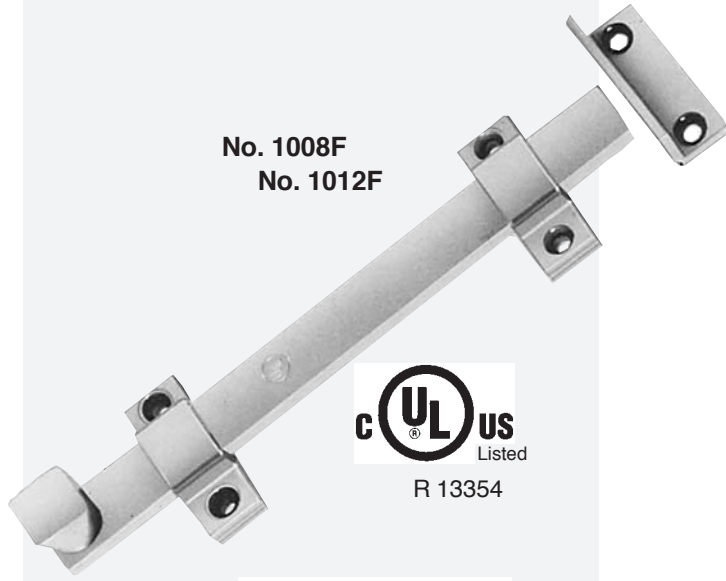


No. 300C

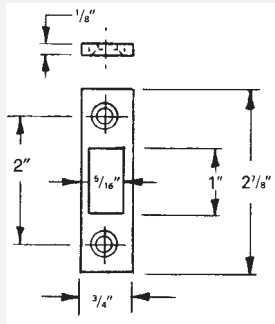
Ideal for application to tile, plaster and wood surfaces.  
 Gray rubber only.

# SURFACE & SECURITY DOOR BOLTS

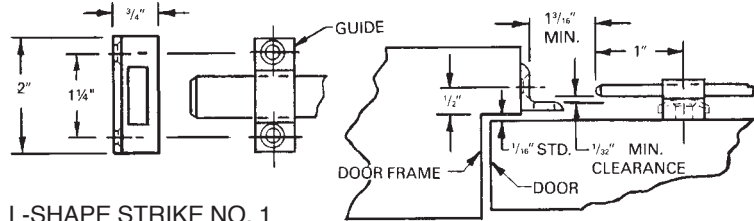
No. 1008F  
No. 1012F



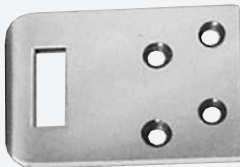
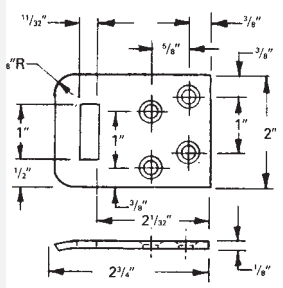
DCI surface door bolts are of heavy steel construction with a choice of three strikes, insuring maximum strength and security on both inswinging and outswinging metal or wood doors. All bolts are available with choice of three strikes, Mortise and L-shape strike furnished standard; rim strike No. 3 optional.



MORTISE STRIKE NO. 2

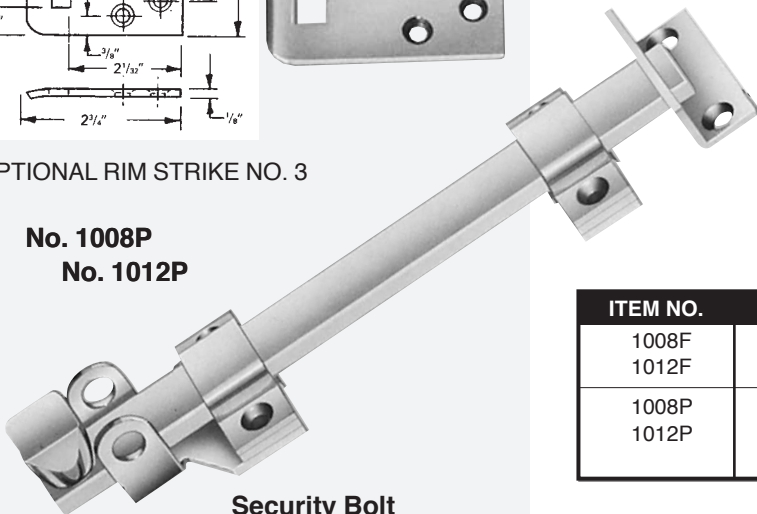


L-SHAPE STRIKE NO. 1



OPTIONAL RIM STRIKE NO. 3

No. 1008P  
No. 1012P



Security Bolt  
w/ Padlock Bracket

ITEM NO.	FINISHES	FASTENERS
1008F 1012F	US26D	6 each No. 10 X 1 1/4" FHSMS and 6 each No. 10-24 X 1" FHMS
1008P 1012P	US26D	6 each No. 10 X 1 1/4" One Way SMS 6 each No. 10-24 X 1" One Way MS and 6 each 10 X 1 1/4" FHSMS*

\*Note: Use No. 10 X 1 1/4" FHSMS screws to locate bolts before installing appropriate one-way screws for maximum security.  
Packaging: Individually bagged with both L-shape and mortise strikes. Rim strike optional.



Consult local codes for permitted applications.

Printed in the U.S.A. - © 2009

# 1200 SERIES RIM EXIT DEVICES

F-1

Security Rim Exit Device  
Non-Handed

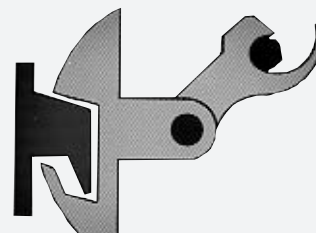


## PRODUCT FUNCTION CHART

Product No.	Function	Listings
1200A	No Dogging	Casualty
1200C	Cylinder Dogging	Casualty
1200D	Cam Lock Dogging	Casualty
1200F	No Dogging	Fire-3 hr.

Finishes: US28, 628 Anodized Aluminum  
313 Dark Duranodic  
Push Bar Inserts-Black Vinyl & Push To Exit

UL certified ANSI/BHMA 156.3-2008, Grade 1  
UL Listed 3 hour Fire Exit Hardware  
UL Listed Panic Hardware  
Conforms to 1997 STD. U.B.C. 7-2  
Accepted by NYC MEA 337-92M  
Listed by CA State Fire Marshal  
ADA compliant



## PANNEX PATENTED INTERLOCK

Strike and latch are investment cast stainless steel heat treated and tempered to Rockwell C 43, approx. tensile strength 200,000 P.S.I.

When strike and latch are engaged they form a completely encased maximum security interlock between door and frame.

Exceeds dead bolt security.



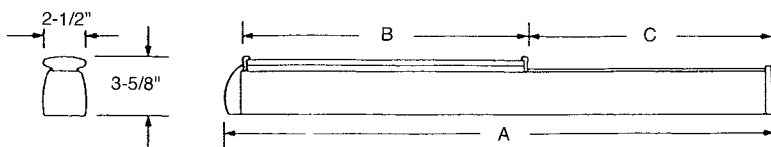
Cam Lock  
Dogging



Cylinder  
Dogging

## PRODUCT DIMENSION DATA - DOOR SIZE CHART

1200 DIMENSION	DOOR WIDTH 5/8" STOP					
	Device Item No.	Dimen. A	Dimen. B	Dimen. C	Width	Field Cut Dimen. "C" for Door Widths
	1200 A	34-3/8"	18"	15"	36"	22" to 35"
	1200 C & D	34-3/8"	18"	15"	36"	24" to 35"
	1200 F	34-3/8"	18"	15"	36"	27" to 35"
	L1200 A	46-3/8"	24"	21"	48"	28" to 47"
	L1200 C & D	46-3/8"	24"	21"	48"	30" to 47"
	L1200 F	46-3/8"	24"	21"	48"	39" to 47"



Single  
Standard

## DOOR STRIKES



Double - DDS  
Optional  
Non-Fire Rated



US Patents-4545606

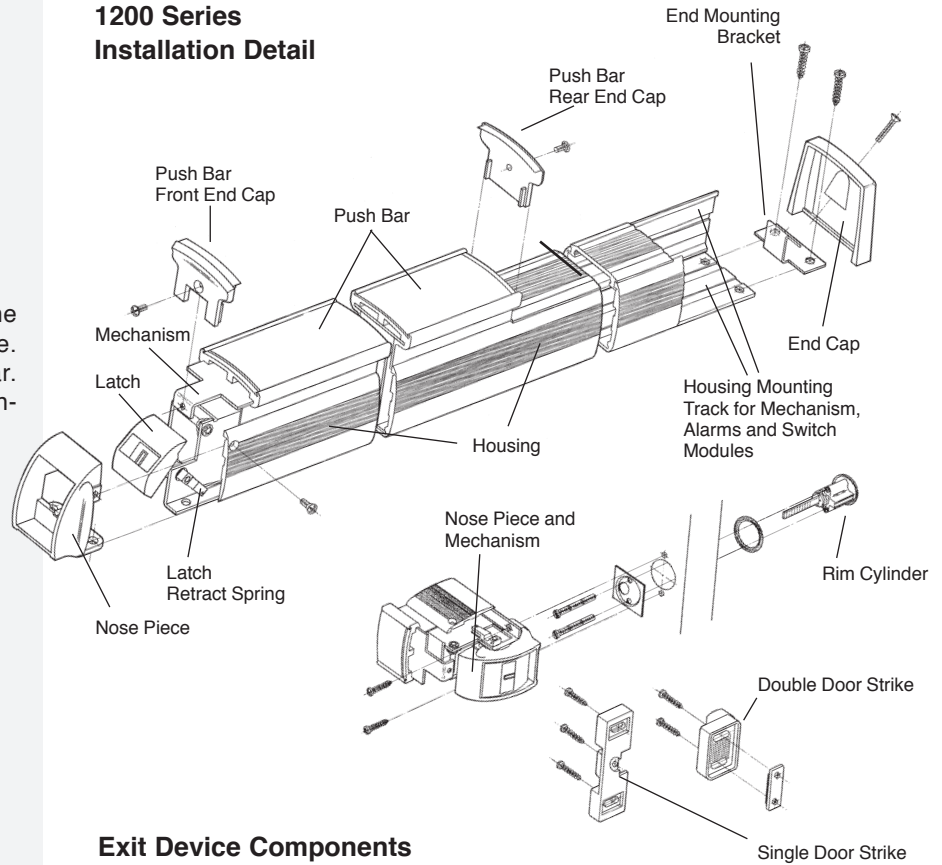
Manufactured & Assembled  
in Dexter, Michigan

Printed in the U.S.A. - © 2009



Order information see page F-10

## 1200 Series Installation Detail



## OPTIONS

### SIGNAL SWITCHES

SS1 & SS2 Signal Switches are installed in the housing track of the 1200 Series Exit Device. Switches are only activated by the push bar. Specify switches for all types of access controls—remote alarm, electromagnetic locks, etc.

### Switch Ratings:

- UL Recognized
- CSA Approved
- 3A @ 30 VDC (Inductive)
- 4A @ 30 VDC (Resistive)

### Inrush Current:

- NC, 20 A maximum (Any load)
- NO, 10 A maximum (Any load)

### SS1

SPDT—One Form C Single-Pole, Double-Throw

### SS2

Two SPDT—Two Form C Single-Pole, Double-Throw

### LMS—LOCK MONITOR SWITCH

SPDT used to monitor the position of the latch of the 1200 Series Rim Exit Device. Also, specify for deactivating electric locking devices by outside trim, and remote monitoring.

- SPDT - Form C Switches
- Switch Ratings: 250V, 0.5A @ 28VDC

## Exit Device Components

No. 1200 Series install on narrow stile aluminum doors, minimum 2" stile.

Use Champion Lever, LTD, or EXT Trim. See page F-9.



## PUSH BAR INSERTS

The design of the push bar allows the inserts to be added by simply removing the push bar end cap, and sliding the insert into the groove of the push bar.



Black Insert—Standard for all 1200 Series Exit Devices  
 Push To Exit Insert—Optional; white lettering on black.

US Patents—4545606



Manufactured & Assembled  
 in Dexter, Michigan

Printed in the U.S.A. - © 2009

Order information see page F-10

# 1210/1220/1230 SERIES ALARMED EXIT DEVICES

F-3

## Security Rim Exit Alarms Non - Handed



PANNEX™ — The maximum security provided by the interlocking latch and strike with alarms will deter theft while maintaining life safety requirements. The patented latch and strike design can withstand 2000 lbs of applied force to the door, and is virtually impossible to pry open.

The 1200 Series Rim Exit Devices are easily converted into alarmed exit devices by inserting alarm modules into the housing track system. Alarm modules are powered by battery, remote power with battery back-up, or remote power only.

### ALARM MODULES

#### No. 1210

**No. 10 Alarm;** operated by 1 ea. 9 V alkaline battery

#### No. 1220

**No. 20 Alarm,** operated by remote power, with 1 ea. 9 V alkaline battery back-up.

Field select 10 to 26 VDC power.

#### No. 1230

**No. 30 Alarm,** operated by remote power.

Field select 10 to 26 VDC power.

### Standard Features

- Red flashing LED
- Horn is factory set for automatic rearm in 1-2 minutes, or field selectable for continuous horn
- Audible sound when armed.
- Low battery chirp @ 7.5 V
- Easy key operation to service the battery

### ALARM OPERATION

Alarm is “turned on” by rotating control cylinder clockwise to the “ON” position (Red Flashing LED). A chirp will sound when activated. Alarm will only sound when the push bar is depressed. Alarm can be reset when door is either in an opened or closed position. Outside cylinder control is not required nor will it activate the alarm.

To exit without sounding the alarm: Rotate control cylinder counter clockwise one click to the “Off” position, and depress push bar to exit.

Note: Access control devices can shunt the No. 30 Alarm.

Service Battery: Rotate control cylinder counter clockwise past the “Off” position and hold key in position. Slide the alarm extrusion toward the end of the device. Turn control cylinder clockwise to center. Replace the exposed battery, and slide the alarm extrusion toward the push bar until it snaps into the locked position.



UL certified ANSI/BHMA 156.3-2008, Grade 1  
UL Listed 3 hour Fire Exit Hardware  
UL Listed Panic Hardware  
Conforms to 1997 STD. U.B.C. 7-2  
Accepted by NYC MEA 337-92M  
Listed by CA State Fire Marshal  
Weather Resistant for Outdoor Use  
ADA compliant

### ALARM FUNCTION CHART

Product No.	Function	Listings
1210-1220-1230A	Exit-No Dog	Casualty
1210-1220-1230D	Cam Lock Dog	Casualty
1210-1220-1230F	Fire-No Dog	UL—3 hr.

### ALARM CURRENT DRAW

Alarm Sounding:  
165 ma (peak) 100 ma (avg)  
@ 9 V, 12 VDC, or 24 VDC

Standby Mode:  
.005 ma @ 9 V Battery  
2.6 ma @ 12 VDC or 24 VDC

Selected alarms are factory installed in the 1200 Series Rim Exit Device.

9V Battery included with  
No. 10 & 20 Alarm.

Alarm control cylinder supplied by others.

US Patents—4545606

**PANNEX**

Manufactured & Assembled  
in Dexter, Michigan



Printed in the U.S.A. - © 2009

Order information see page F-10

# 1210/1220/1230 SERIES ALARMED EXIT DEVICES

## LED

Flashing Red light when in the "ON" position.

## HORN

A 110 decibel continuous horn. The horn will chirp to signal it is activated and in the "ON" position, and will only sound when the push bar is depressed. The horn is factory set to sound for 1 to 2 minutes with automatic shut off and rearm, or can be field selected for manual shut off.

## BATTERY MAINTENANCE

The battery can be easily replaced by turning the control key to the "Service" position. The complete alarm module including extruded cover and end cap slide out of the housing exposing the battery for service. A low battery indicator is supplied with an audible chirp for all No. 10 and 20 alarms.

## ALARM CONTROL CYLINDER

Cylinder supplied by others. Specify 15/16" thru 1-3/8" mortise cylinder with standard Yale "A" cam (straight of long). Over 1-3/8" a collar ring is required.

MC-1 – 1" standard Yale "A" cam (.718")  
Schlage C Keyway

MC-2 – 1-1/8" standard Yale "A" cam (.718")  
Yale "8" Keyway

## PUSH BAR SIGNS

"Emergency Exit Only Alarm will Sound" signs are supplied with all alarms, and are inserted into the push bar during installation. US 28 is supplied with Red lettering, and US313 with White lettering.

## ALARM OPTIONS

Alarm Signal Switches

SS1-A – 10, 20, 30

SPDT Form C Switches

Activated by push bar

i.e. "Request to Exit" applications, and remote signaling devices.

SS2-A – 10, 20, 30

Two SPDT Form C Switches

Deactivated when Alarm is in "OFF" position.

i.e. Remote signaling during unauthorized egress.

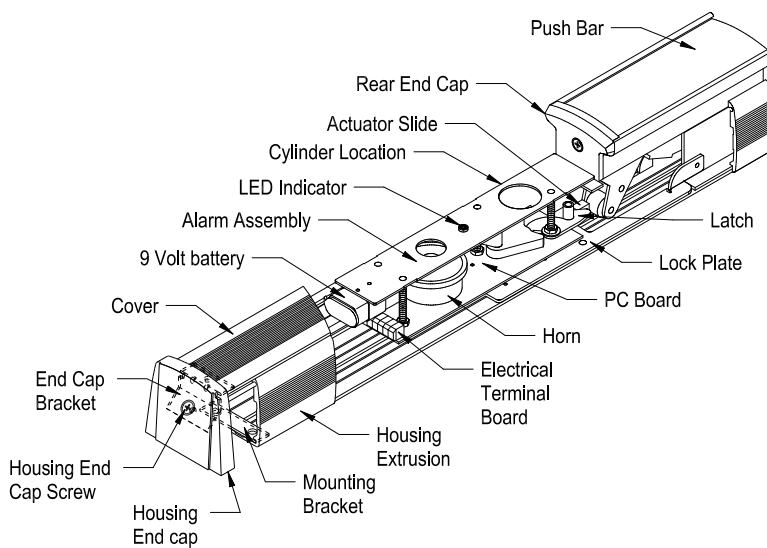
Switch Ratings: 250V, 0.5A @ 28VDC

## LMS – LOCK MONITOR SWITCH – SPDT

Used to monitor the lock status located on the chassis of the 1200 Series Device. Also, specify for deactivating electric locking devices by outside trim, and alarmed exit devices for remote monitoring.

## OUTSIDE TRIM

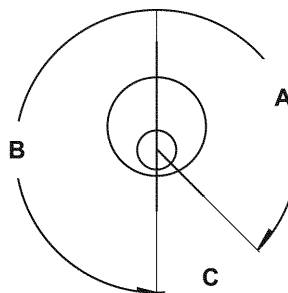
01, 03, 08, and 14 functions are available with alarms. Key function will not sound the alarm. The 1200 Series can be unlocked remotely without sounding alarm.



## KEY CONTROL OPERATION

**A. ON** - Turn key clockwise; Audible chirp and red flashing LED indicates "Alarm On."

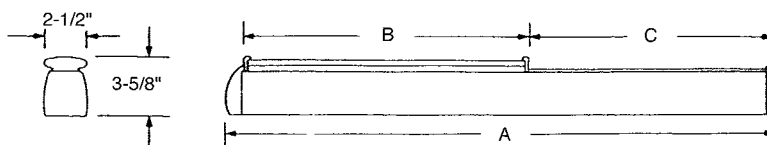
**B. OFF** - Turn key counterclockwise one click;



**C. Battery Service** - Turn key counterclockwise pass "OFF" position. The alarm module, extruded cover, and end cap slides out of the housing as one complete unit to expose the battery.

## PRODUCT DIMENSION – DOOR SIZE CHART

Device Item No.	1200 DIMENSIONS			DOOR WIDTHS (5/8" STOP)	
	Dimen. A	Dimen. B	Dimen. C	Width	Dimen - C. Field Cut For Door Widths
1210-1220-1230 A-F-D	34-3/8"	18"	15"	36"	29" to 35"
L1210-L1220-L1230 A-F-D	46-3/8"	24"	21"	48"	35" to 47"



Manufactured & Assembled in Dexter, Michigan

Printed in the U.S.A. - © 2009

Order information see page F-10

# 1300 SERIES ELECTRONIC RIM EXIT DEVICES

F-5

## Electronic Security Rim Exit Device Non-Handed



**No. 1300**—Device includes a dual-voltage (12 VDC or 24 VDC) continuous-duty solenoid to provide remote unlock for entry control. Current of less than 800 ma for 12 VDC or 400 ma for 24 VDC is required to unlock device or to dog it unlocked. Fire rated devices must be powered through contact of a fire-alarm system relay.

UL certified ANSI/BHMA 156.3-2008, Grade 1  
UL Listed 3 hour Fire Exit Hardware  
UL Listed Panic Hardware  
Conforms to 1997 STD. U.B.C. 7-2  
Accepted by NYC MEA 337-92M  
Listed by CA State Fire Marshal  
ADA compliant

### PRODUCT FUNCTION CHART

Product No.	Function	Listings
1300A	No Dogging	Casualty
1300C	Cylinder Dogging	Casualty
1300D	Cam Lock Dogging	Casualty
1300F	No Dogging	Fire-3 hr.

*Finishes:* US28, 628 Anodized Aluminum  
313 Dark Duranodic  
Push Bar Inserts—Black Vinyl & Push To Exit



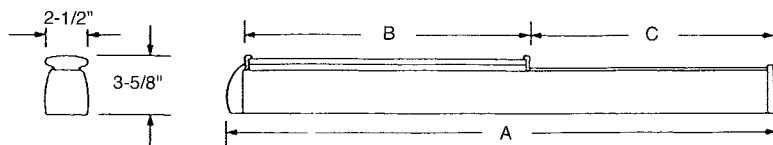
**Cam Lock  
Dogging**



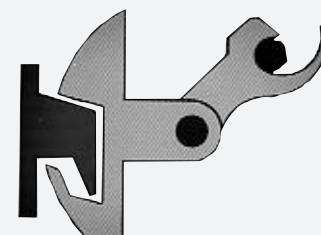
**Cylinder  
Dogging**

### PRODUCT DIMENSION DATA - DOOR SIZE CHART

1300 DIMENSIONS	DOOR WIDTHS (5/8" STOP)				
	Device Item No.	Dimen. A	Dimen. B	Dimen. C	Width
1300 A	34-3/8"	18"	15"	36"	22" to 35"
1300 C & D	34-3/8"	18"	15"	36"	24" to 35"
1300 F	34-3/8"	18"	15"	36"	27" to 35"
L1300 A	46-3/8"	24"	21"	48"	28" to 47"
L1300 C & D	46-3/8"	24"	21"	48"	30" to 47"
L1300 F	46-3/8"	24"	21"	48"	39" to 47"



Order information see page F-10



### PANNEX PATENTED INTERLOCK

Strike and latch are investment cast stainless steel heat treated and tempered to Rockwell C 43, approx. tensile strength 200,000 P.S.I.

When strike and latch are engaged they form a completely encased maximum security interlock between door and frame.

Exceeds dead bolt security.



Single  
Standard

### DOOR STRIKES



Double - DDS  
Optional  
Non-Fire Rated



US Patents-4545606

Manufactured & Assembled  
in Dexter, Michigan

Printed in the U.S.A. - © 2009



## OPTIONS

### SIGNAL SWITCHES

SS1 & SS2 Signal Switches are installed in the housing track of the 1300 Series Exit Device. Switches are only activated by the push bar. Specify switches for all types of access controls—remote alarm, electromagnetic locks, etc.

**Switch Ratings:** UL Recognized  
 CSA Approved  
 3 A @ 30 VDC (Inductive)  
 4 A @ 30 VDC (Resistive)

**Inrush Current:** NC, 20 A maximum (Any load)  
 NO, 10 A maximum (Any load)

**SS1**  
 SPDT—One Form C Single-Pole,  
 Double-Throw

**SS2**  
 Two SPDT—Two Form C Single-Pole,  
 Double-Throw

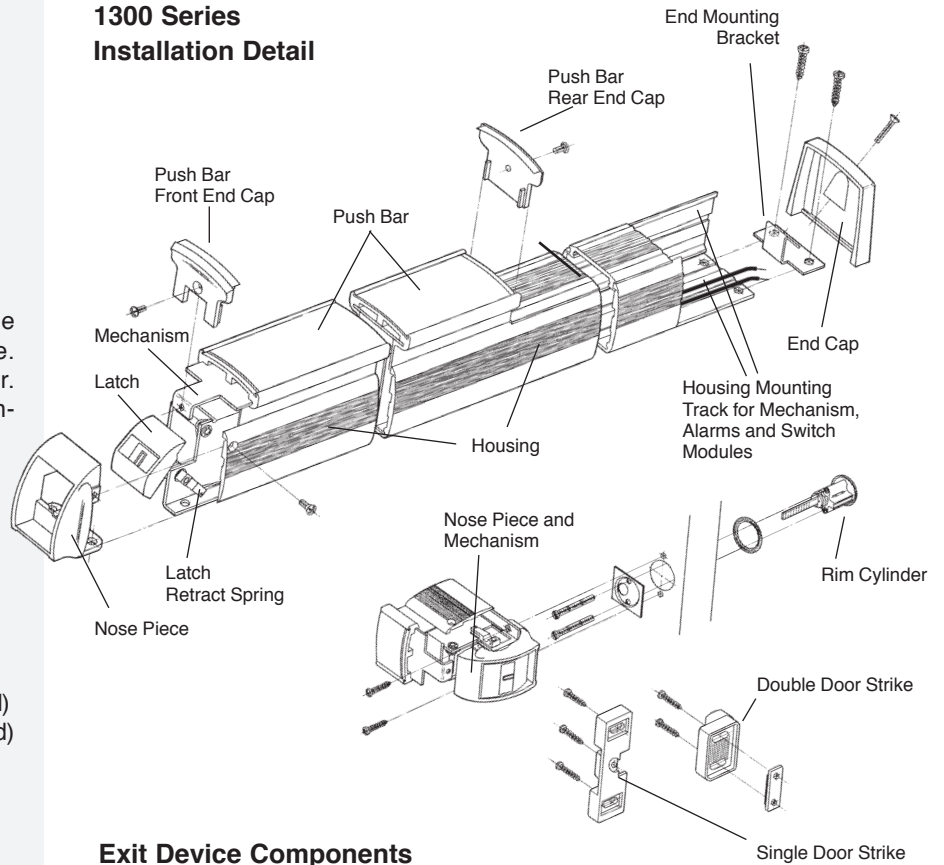
### LMS—LOCK MONITOR SWITCH

SPDT used to monitor the position of the latch of the 1300 Series Rim Exit Device. Also, specify for deactivating electric locking devices by outside trim, and remote monitoring.

SPDT - Form C Switches  
 Switch Ratings: 250 V, 0.5A @ 28 VDC

US Patents—4545606

## 1300 Series Installation Detail



### Exit Device Components

No. 1300 Series install on narrow stile aluminum doors, minimum 2" stile.

Use Champion Lever, LTD, or EXT Trim. See Page F-9

### PUSH BAR INSERTS

The design of the push bar allows the inserts to be added by simply removing the push bar end cap, and sliding the insert into the groove of the push bar.



Black Insert— Standard for all 1300 Series Exit Devices  
 Push to Exit Insert— Optional; white lettering on black.



Manufactured & Assembled  
 in Dexter, Michigan

Printed in the U.S.A. - © 2009

Order information see page F-10

# 1310/1320/1330 SERIES ELECTRONIC ALARMED DEVICES

F-7

## Electronic Security Rim Exit Alarms Non - Handed



PANNEX™ — The maximum security provided by the interlocking latch and strike with alarms will deter theft while maintaining life safety requirements. The patented latch and strike design can withstand 2000 lbs of applied force to the door, and is virtually impossible to pry open.

The 1300 Series Rim Exit Device with a dual-voltage (12 VDC or 24 VDC) continuous-duty solenoid provides a remote unlock feature for controlled entry, and is easily converted into an alarmed exit device by inserting an alarm module into the grooves inside the housing. Alarm modules are powered by either battery, remote power, or remote power with battery back-up.

### ALARM MODULES

#### No. 1310

**No. 10 Alarm;** operated by 1 ea. 9 V alkaline battery

#### No. 1320

**No. 20 Alarm,** operated by remote power, with 1 ea. 9 V alkaline battery back-up.

Field select 10 to 26 VDC power.

#### No. 1330

**No. 30 Alarm,** operated by remote power.

Field select 10 to 26 VDC power.

### Standard Features

- Red flashing LED
- Horn is factory set for automatic rearm in 1-2 minutes, or field selectable for continuous horn
- Audible sound when armed.
- Low battery chirp @ 7.5 V
- Easy key operation to service the battery

### ALARM OPERATION

Alarm is "turned on" by rotating control cylinder clockwise to the "ON" position (Red Flashing LED). A chirp will sound when activated. Alarm will only sound when the push bar is depressed. Alarm can be reset when door is either in an opened or closed position. Outside cylinder control is not required nor will it activate the alarm.

To exit without sounding the alarm: Rotate control cylinder counter clockwise one click to the "Off" position, and depress push bar to exit.

Note: Access control devices can shunt the No. 30 Alarm.

Service Battery: Rotate control cylinder counter clockwise past the "Off" position and hold key in position. Slide the alarm extrusion toward the end of the device. Turn control cylinder clockwise to center. Replace the exposed battery, and slide the alarm extrusion toward the push bar until it snaps into the locked position.

**PANNEX**

Order information see page F-10



UL certified ANSI/BHMA 156.3-2008, Grade 1  
UL Listed 3 hour Fire Exit Hardware  
UL Listed Panic Hardware  
Conforms to 1997 STD. U.B.C. 7-2  
Accepted by NYC MEA 337-92M  
Listed by CA State Fire Marshal  
Weather Resistant for Outdoor Use  
ADA compliant

### ALARM FUNCTION CHART

Product No.	Function	Listings
1310-1320-1330A	Exit-No Dog	Casualty
1310-1320-1330D	Cam Lock Dog	Casualty
1310-1320-1330F	Fire-No Dog	UL—3 hr.

### ALARM CURRENT DRAW

Alarm Sounding:  
165 ma (peak) 100 ma (avg)  
@ 9 V, 12 VDC, or 24 VDC

Standby Mode:  
.005 ma @ 9 V Battery  
2.6 ma @ 12 VDC or 24 VDC

Selected alarms are factory installed in the 1300 Series Rim Exit Device.

9V Battery included with  
No. 10 & 20 Alarm.

Alarm control cylinder supplied by others.

US Patents—4545606

Manufactured & Assembled  
in Dexter, Michigan



Printed in the U.S.A. - © 2009

# 1310/1320/1330 SERIES ELECTRONIC ALARMED DEVICES

## LED

Flashing Red light when in the "ON" position.

## HORN

A 110 decibel continuous horn. The horn will chirp to signal it is activated and in the "ON" position, and will only sound when the push bar is depressed. The horn is factory set to sound for 1 to 2 minutes with automatic shut off and rearm, or can be field selected for manual shut off.

## BATTERY MAINTENANCE

The battery can be easily replaced by turning the control key to the "Service" position. The complete alarm module including extruded cover and end cap slide out of the housing exposing the battery for service. A low battery indicator is supplied with an audible chirp for all No. 10 and 20 alarms.

## ALARM CONTROL CYLINDER

Cylinder supplied by others. Specify 15/16" thru 1-3/8" mortise cylinder with standard Yale "A" cam (straight of long). Over 1-3/8" a collar ring is required.

MC-1 - 1" standard Yale "A" cam (.718")  
Schlage C Keyway

MC-2 - 1-1/8" standard Yale "A" cam (.718")  
Yale "8" Keyway

## PUSH BAR SIGNS

"Emergency Exit Only Alarm will Sound" signs are supplied with all alarms, and are inserted into the push bar during installation. US 28 is supplied with Red lettering, and US313 with White lettering.

## ALARM OPTIONS

Alarm Signal Switches

SS1-A - 10, 20, 30

SPDT Form C Switches

Activated by push bar

i.e. "Request to Exit" applications, and remote signaling devices.

SS2-A - 10, 20, 30

Two SPDT Form C Switches

Deactivated when Alarm is in "OFF" position.

i.e. Remote signaling during unauthorized egress.

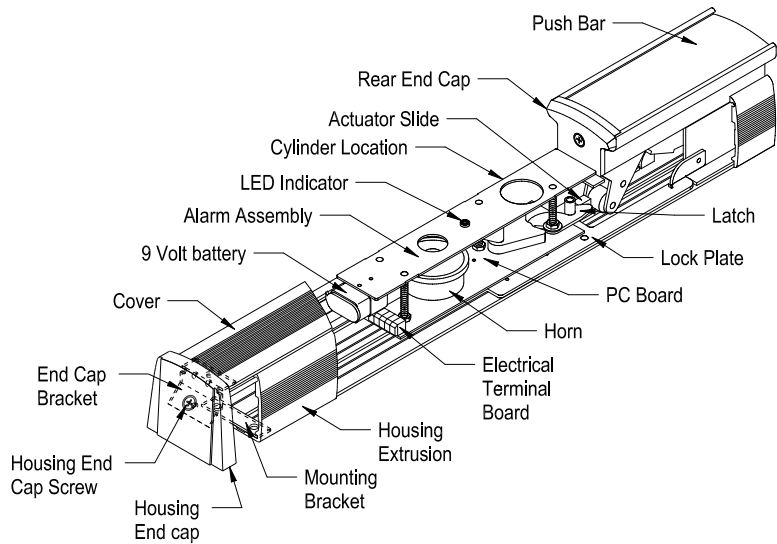
Switch Ratings: 250 V, 0.5A @ 28 VDC

## LMS - LOCK MONITOR SWITCH - SPDT

Used to monitor the lock status located on the chassis of the 1200 Series Device. Also, specify for deactivating electric locking devices by outside trim, and alarmed exit devices for remote monitoring.

## OUTSIDE TRIM

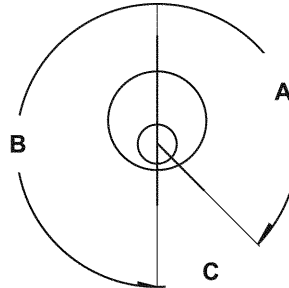
01, 03, 08, and 14 functions are available with alarms. Key function will not sound the alarm. The 1300 Series can be unlocked remotely without sounding alarm.



## KEY CONTROL OPERATION

**A. ON** - Turn key clockwise; Audible chirp and red flashing LED indicates "Alarm On."

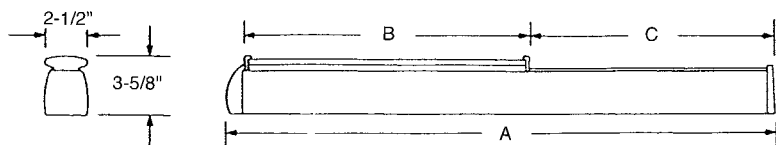
**B. OFF** - Turn key counterclockwise one click;



**C. Battery Service** - Turn key counterclockwise pass "OFF" position. The alarm module, extruded cover, and end cap slides out of the housing as one complete unit to expose the battery.

## PRODUCT DIMENSION - DOOR SIZE CHART

Device Item No.	1300 DIMENSIONS			DOOR WIDTHS (5/8" STOP)	
	Dimen. A	Dimen. B	Dimen. C	Width	Dimen - C. Field Cut For Door Widths
1310-1320-1330 A-F-D	34-3/8"	18"	15"	36"	29" to 35"
L1310-L1320-L1330 A-F-D	46-3/8"	24"	21"	48"	35" to 47"



Manufactured & Assembled in Dexter, Michigan

Printed in the U.S.A. - © 2009

Order information see page F-10

## LEVER DOOR TRIM

UL Certified ANSI/BHMA 156.3–2001, Grade 1.  
UL Certified for Fire Doors.

08 Function—Key locks or unlocks trim.

14 Function—Lever unlocks latch, always active, less cylinder prep.

Specify: L Suffix for Lever  
N Suffix for Narrow Stile Aluminum Doors  
E Suffix for Electrified Trim. 24 VDC, draw .15 A @ 20°C ambient, 12 V optional

Specify: Hand, or LHR will be supplied. Handing can be field reversed on the L & E models. The N models cannot be field reversed due to the offset tailpiece.

Cylinder: Supplied by other. Specify MC-2, or use 1-1/8" to 1-1/4" standard Yale "A" cam (.718), Yale "8" keyway, Grade 1 mortise cylinder.

Finishes: 28 Powder Coated; BHMA 689  
313 Powder Coated; BHMA 690

TRIM	FUNCTION	BASE	PROJ	LEVER	CYLINDER
08-L	Entrance	1-3/4" X 8-1/16"	2-5/8"	7/8" X 4-3/4"	Mortise
08N-L	Entrance	1-3/4" X 8-1/16"	2-5/8"	7/8" X 4-3/4"	Mortise
08E-L	Entrance	1-3/4" X 8-1/16"	2-5/8"	7/8" X 4-3/4"	Mortise
08NE-L	Entrance	1-3/4" X 8-1/16"	2-5/8"	7/8" X 4-3/4"	Mortise

## EXTRUDED DOOR TRIM

01 Function—Exit Only, 02 Function—Entrance by trim with dogged exit device, and 03 Function—Entrance by key retracting latch bolt.

Specify: P Suffix for pull trim  
C Suffix for cylinder prep  
N Suffix for Narrow Stile Aluminum Doors

RC-1 or use 15/16" to 1-1/4" standard rim cylinder.

Finishes: 28 Aluminum; BHMA 628  
313 Dark Duranodic; BHMA 710

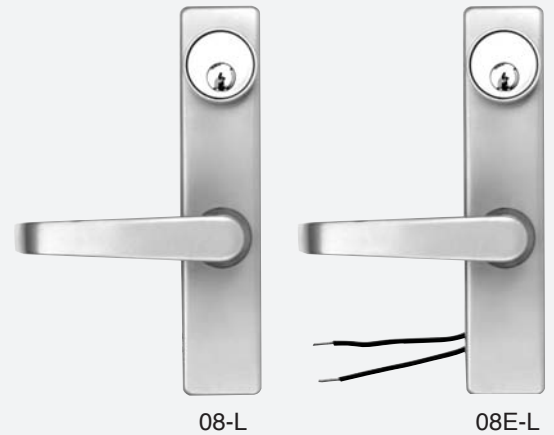
TRIM	FUNCTION	BASE	PROJ	PULL	CYLINDER
01 LTD	Exit only	2" X 2-3/4"	3/8"	None	None
02P LTD	Entrance	2" X 9-3/4"	2-1/2"	3/4" X 5-1/2"	None
03C LTD	Key Retracts Latch	2" X 2-3/4"	3/8"	None	Rim
03P LTD	Key Retracts Latch	2" X 9-3/4"	2-1/2"	3/4" X 5-1/2"	Rim

TRIM	FUNCTION	BASE	PROJ	PULL	CYLINDER
02N EXT	Entrance	2" X 5"	1-3/8"	2"	None
02 EXT	Entrance	3 1/2" X 5"	1-3/8"	3-1/2"	None
03N EXT	Key Retracts Latch	2" X 5"	1-3/8"	2"	Rim
03 EXT	Key Retracts Latch	3 1/2" X 5"	1-3/8"	3-1/2"	Rim

Door thickness 1-3/4", over 2" consult factory for special fasteners.

Cylinders not furnished with trim.

## CHAMPION LEVER TRIM



08-L

08E-L

## LTD TRIM



01 LTD

03C LTD

02P LTD

03P LTD

## EXT TRIM



02N EXT

02 EXT

03N EXT

03 EXT



Manufactured & Assembled  
in Dexter, Michigan

Printed in the U.S.A. - © 2009



# ORDER INFORMATION PANNEX SERIES DEVICES

To order specify

QTY	PREFIX	PRODUCT NO.	FUNCTION	X	OPTIONS	X	TRIM	X	FINISH
24 ea.	L	1210	A	X	SS1	X	02 EXT	X	US28

Example: 24 each L1210A x SS1 x 02EXT x US28 (628)

**Prefix**

None	Device for 36" Door
L	Device for 48" Door

**Product Numbers**

1200	Rim Exit
1300	Electronic Rim Exit
1210, 1220, 1230	Rim Alarms
1310, 1320, 1330	Electronic Rim Alarms

**Functions**

A	Exit Only
C	Cylinder Dogging
D	Cam Lock Dogging
F	Fire Rated, No Dogging

**Options**

SS1-A	SPDT Signal Switch
SS2-A	Two SPDT Signal Switch
LMS	Lock Monitor Switch

**Alarms Modules**

10	Operated by 9V Battery
20	Operated by 10-26 VDC, 9V Battery Backup
30	Operated by 10-26 VDC

**Finishes**

US28, 628	Anodized Aluminum
313	Dark Duranodic

**Pannex Series Devices  
Standard Features**

- UL Certified ANSI/BHMA 156.3-2008, Grade 1
- UL Listed 3 hour Fire Exit Hardware
- UL Listed Panic Hardware
- Non-Handed Operation
- Narrow Line Door, 2" Minimum Stile

**Fasteners**

Device	4 each, 12-24 X 3/4" PH PAN MS
	4 each, 12-24 X 1.7" Sex Bolts
Strike	3 each, 12-24 X 3/4" PH PAN MS

**Packaging**

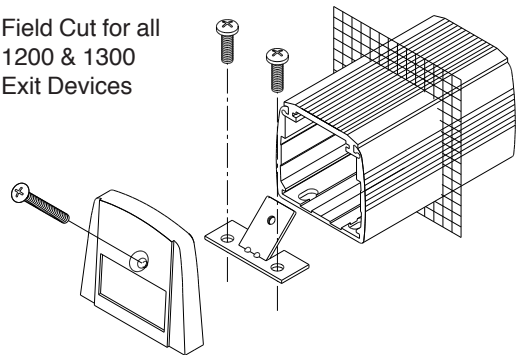
- 1 each, device per carton
- 4 each, devices per master carton

**Trim**

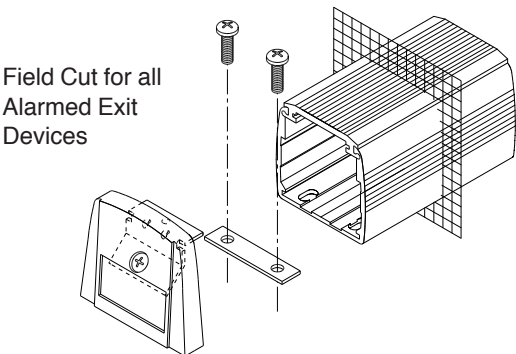
Lever	LTD	EXT
08	01	02
08N	03C	03
08E	02P	02N
08NE	03P	03N

14

Field Cut for all  
1200 & 1300  
Exit Devices



Field Cut for all  
Alarmed Exit  
Devices



## 1400 Series Electromagnetic Lock

The patented 1400 Series Electromagnetic Lock is universal for all types of applications, including outdoor use. The innovative design will reduce installation costs, and the compact size eliminates most requirements for special fillers.

The 1200 pounds holding force is designated for high-security areas, such as perimeter and restricted doors.



## Listings

- BHMA Certified to ANSI/BHMA A156.23-2008
  - UL classified to meet ANSI/BHMA A156.23, Grade 1, Ranking: Over 1000 pounds holding force.
  - UL Listed as an Auxiliary Lock (GWXT).
  - Listed by California State Fire Marshal.
  - Accepted by NYC MEA 292-94-E.
- All Listings for Indoor and Outdoor Use.*

## Standard Features

- Holding Force:** 1200 pounds.
- Voltage:** 12 V or 24 VDC, field-selectable by powering the proper lead wires.
- Amperage:** 0.7 A at 12 VDC, .35 A at 24 VDC @ 70°F.
- Residual Magnetism:** None.
- Inductive Kickback:** Suppressed with UL Recognized circuit components to less than 53 V.
- Handing:** Non – handed.
- Easy Installation:** Surface applied and packaged with a special locator tool to eliminate measuring on the push side. The circuitry is encapsulated in the magnet housing, reducing all risk of both physical and environment damage, and allowing for a trouble-free hook-up of only two wires.
- Size:** Magnet: 9.0" W x 2.25" H x 1.56" D.  
Armature: 9.0" W x 2.25" H x .56" D.
- Finishes:** US28 & 313.

## Ordering Information:

### Push Side Mounting, Outswinging Doors

#### No. 1401

Dual Voltage 12/24 VDC.  
Electromagnetic Lock and Armature.  
No. BR0 Mounting Bracket.  
No. HP-1 Mounting Hardware Package.

#### Options

The LSS Lock Status Sensor is a door position sensor, and magnetic field sensor. The LSS remotely monitors, and alerts personnel of an improper magnetic field, or when the door is ajar. All LSS's provide Form A switches, and pigtail connections for easy installation.

#### Ordering Information:

LSS-W Lock Status Sensor for all doors, white finish. (except recessed-top-edge)  
LSS-B Lock Status Sensor for all doors, dark brown finish. (except recessed-top-edge)  
LSS/R-W Lock Status Sensor for recessed-top-edge hollow-metal doors, white finish.  
LSS/R-B Lock Status Sensor for recessed-top-edge hollow-metal doors, dark brown finish.

### Pull Side Mounting, Inswinging Doors

#### No. 1405

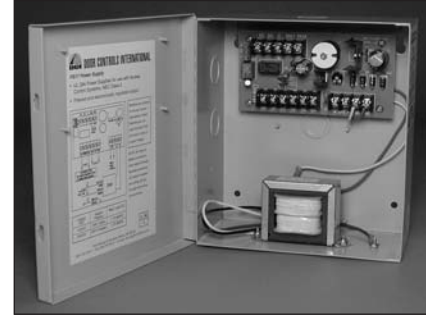
Dual Voltage 12/24 VDC.  
Electromagnetic Lock and Armature.  
No. BS0: One Z Bracket & One T0 Bracket.  
No. HP-2 Mounting Hardware Package.

# 17 SERIES POWER SUPPLY

The 17 Series Power Supply provides versatility in controlling electrical applications that require a UL Listing for Access Controls, as well as, an interface with fire alarm control panels and fire protection systems. DCI's 17 Series is a power-limited power supply that converts 120 VAC / 60 Hz input into two individual overcurrent protected 12 VDC or 24 VDC outputs. Specify with electromagnetic locks, electrified exit devices, and or access controls.

Install in accordance with NFPA 70 The National Electrical Code and local codes.

UL Listed for Access Controls UL294, NEC Class 2.



## Standard Features

<b>Input:</b>	120 VAC / 60 Hz, 0.6 A.
<b>Output:</b>	12 or 24 VDC at 1.75 A, field-selectable. Filtered and electronically regulated DC outputs. Overcurrent protection on each output circuit. One NO and one NC, externally triggered by Fire Alarm Relay if desired. Auxiliary DC output circuit, not triggered, overcurrent protected.
<b>Monitors:</b>	AC input monitored by SPDT relay. Rated 1 A @ 28 VDC. DC output monitored by SPDT Relay. Rated 1 A @ 24 VDC.
<b>Fire Alarm:</b>	Terminals for Fire Alarm Relay connection.
<b>Battery Charger:</b>	A built-in charging circuit automatically charges backup batteries.
<b>Enclosure:</b>	PS17 – NEMA 1, Dimensions: 8.5" H x 7.5" W x 3.5" D. Wt. 6 lb. PSL17 – NEMA 1, Dimensions: 16" H x 12" W x 5" D. Wt. 12 lb.
<b>Finish:</b>	Powder-coated gray.

## Ordering Information

<b>PS17</b>	12 or 24 VDC at 1.75 A. Keyed cabinet lock, and terminals for external backup.
<b>PSL17</b>	12 or 24 VDC at 1.75 A. Keyed cabinet lock, and optional internal battery backup.
<b>PS17-TD2</b>	<b>Time Delay system for all Special Locking Arrangements.</b> <b>Delayed Egress:</b> Nuisance Delay field-selectable for 0 or 1 second, followed by 15 or 30 seconds field-selectable delay before relay unlock activation. Deactivation only by manual reset. Overridden by Fire Alarm for instant unlock. Specify PS17-TD2-15 for UBC. <b>Access-Controlled Egress:</b> Instant relay (unlock) activation followed by 30 or 45 seconds field-selectable delay before automatic (relock) deactivation.
<b>BBU-5</b>	5.0 Ah @ 12 V, 1 Battery, and Cable Kit 4.0" H x 3.50" W x 2.75" D. Wt. 3.63 lb.
<b>BBU-5/2</b>	5.0 Ah @ 24 V, 2 Batteries, and Cable Kit.
<b>BBU-7</b>	7.2 Ah @ 12 V, 1 Battery, and Cable Kit 3.75" H x 5.88" W x 2.50" D. Wt. 5.25 lb.
<b>BBU-7/2</b>	7.2 Ah @ 24 V, 2 Batteries, and Cable Kit.
<b>BBU-12</b>	12 Ah @ 12 V, 1 Battery, and Cable Kit 3.75" H x 5.88" W x 3.75" D. Wt. 9.0 lb.
<b>BBU-12/2</b>	12 Ah @ 24 V, 2 Batteries, and Cable Kit.

## Specify the 17 Series for Multiple Openings

PS17 & PSL17	12 VDC	PS17 & PSL17	24 VDC
1401 Electromagnetic Lock	Up to 2	1401 Electromagnetic Lock	Up to 4
1300 Series Electrified Rim Exit Device	Up to 2	1300 Series Electrified Rim Exit Device	Up to 4
Or any combination of the above	Up to 2	Or any combination of the above	Up to 4

Additional current, 250 mA at 70°F at either voltage, is available for access controls such as motion detectors, card readers, and switch illumination.



The PSL30 Power Supply provides versatility in controlling electrical applications that require a UL Listing for Access Controls, as well as, an interface with fire alarm control panels and fire protection systems. DCI's PSL30 is a power limited power supply that will convert 120 VAC / 60 Hz input into five individual overcurrent protected 12 VDC or 24 VDC outputs. Specify with electromagnetic locks, electrified exit devices, and access controls for multiple zones.

Install in accordance with NFPA 70 National Electrical Code and local codes.

UL Listed for Access Controls UL294, NEC Class 2.



## Standard Features

- Input:** 115 VAC / 60 Hz 1-Phase, 1.45 A.
- Output:** 12 VDC at 4.0 A or 24 VDC at 3.0 A, field-selectable.  
Five filtered and electronically regulated DC outputs, triggered by Fire Alarm Relay if desired.  
Overcurrent protection on each output circuit.  
One NO and one NC terminal for each output circuit.
- Monitors:** AC input monitored by SPDT relay. Rated 1 A @ 30 VDC.  
Battery input monitored by SPDT relay. Rated 1 A @ 30 VDC.  
DC output monitored by SPDT relay. Rated 1 A @ 30 VDC.
- Fire Alarm:** Terminals for Fire Alarm Relay connection.
- Battery Charger:** A built-in charging circuit automatically charges backup batteries.
- Enclosure, Keyed** NEMA 1 with keyed cabinet lock and knockout.
- Dimensions:** 16" H x 12 " W x 5 " D. Wt. 12 lb.
- Finish:** Powder-coated Gray.

## Ordering Information

- PSL30** 12 at 4.0 A or 24 VDC at 3.0 A. Keyed cabinet lock, and optional internal battery backup.
- Options**
- BBU-5** 5.0 Ah @ 12 V, 1 Battery, and Cable Kit 4.0" H x 3.50" W x 2.75" D. Wt. 3.62 lb.
- BBU-5/2** 5.0 Ah @ 24 V, 2 Batteries, and Cable Kit (or 10 Ah at 12 V).
- BBU-7** 7.2 Ah @ 12 V, 1 Battery, and Cable Kit 3.75" H x 5.88" W x 2.50" D. Wt. 5.50 lb.
- BBU-7/2** 7.2 Ah @ 24 V, 2 Batteries, and Cable Kit (or 14.4 Ah at 12 V).
- BBU-12** 12 Ah @ 12 V, 1 Battery, and Cable Kit 3.75" H x 5.88" W x 3.75" D. Wt. 9.0 lb.
- BBU-12/2** 12 Ah @ 24 V, 2 Batteries, and Cable Kit (or 24 Ah at 12 V).

## Specify the PSL30 for Multiple Openings

PSL30	12 VDC	PSL30	24 VDC
1401 Electromagnetic Lock	Up to 5	1401 Electromagnetic Lock	Up to 8
1300 Series Electrified Rim Exit Device	Up to 4	1300 Series Electrified Rim Exit Device	Up to 7
Or 2 each; or any combination of the above	Up to 4	For 4 each; or any combination of the above	Up to 7

Additional current is available for access controls, such as motion detectors, card readers, and switch illumination: With maximum 24 VDC systems, 140 mA at 70°F; and for maximum 12 VDC systems, 400 mA at 70°F.



# EGRESS SWITCHES/SUPERVISED ENTRY

All models are UL Listed and Internationally approved. The 200 and 300 Series heavy-duty key switches and push buttons are ideal with any electrical locking device to provide security for both restricted areas and supervised entrances.

## 200 Series Key Switches



<b>Type</b>	Momentary or Alternating with 22 GA pigtail leads.
<b>Ratings</b>	Switch ratings – 6 A at 28 VDC or 250 VAC.
<b>Cylinder</b>	Specify 1-1/8" or 1-1/4" Mortise cylinder with any cam. Adjustable switch position for cylinder compatibility. Cylinder not supplied.
<b>LED</b>	Red or Green bi-color LED to monitor status of the alternating key switch. 22 gage 6" pigtail leads. Draws 40 mA at 12 VDC or 20 mA at 24 VDC.
<b>Security</b>	1/4" thick solid aluminum escutcheon, recessed for key cylinder, and supplied with spanner head screws.
<b>Ordering Information</b>	
<b>200 x 28/313</b>	Momentary; SPDT 3.0" standard width Key Switch.
<b>200N x 28/313</b>	Momentary; SPDT 1.75" narrow width Key Switch.
<b>210 x 28/313</b>	Alternating; SPDT 3.0" standard width Key Switch.
<b>210N x 28/313</b>	Alternating; SPDT 1.75" narrow width Key Switch.
<b>Options</b>	
<b>KTD-1</b>	Pneumatic Time Delay, adj. from 1 to 320 seconds, DSPST.
<b>KTD-2</b>	Electronic Time Delay adj. from 1 to 60 seconds; 12 or 24 VDC, SPDT. (KTD-2 uses a CY-1/2 3" x 2" switch box).
<b>LED</b>	Bi-color Red or Green "ON" indicator. Field-selectable color.
<b>WR</b>	Weather Resistant Escutcheon Plate.

## 300 Series Push Buttons



<b>Security</b>	1/4" thick aluminum escutcheon, supplied with spanner head screws.
<b>Ordering Information</b>	
<b>300 x 28/313</b>	Momentary; DSPST NO & NC 3.0" standard width Blue Push Button.
<b>300N x 28/313</b>	Momentary; DSPST NO & NC 1.75" narrow width Blue Push Button.
<b>310 x 28/313</b>	Maintained; DSPST NO & NC 3.0" standard width Blue Push Button.
<b>310N x 28/313</b>	Maintained; DSPST NO & NC 1.75" narrow width Blue Push Button.
<b>Options</b>	
<b>Exit</b>	Exit Sign for Push Button.
<b>LP-12V</b>	Lamp to Illuminate Push Button; 14 V @ 80mA for 12 V circuits.
<b>LP-24V</b>	Lamp to Illuminate Push Button; 28 V @ 40mA for 24 V circuits.
<b>PTD</b>	Electronic Time Delay adj. from 1 to 60 seconds; 12 or 24 VDC, SPDT.

## Mushroom Buttons 1.75" Button Diameter Oil & Watertight



<b>Security</b>	1/4" thick aluminum escutcheon, supplied with spanner head screws.
<b>Ordering Information</b>	
<b>320 x 28/313</b>	Momentary; DSPST NO & NC 3.0" standard width Exit Red Push Button.
<b>320N x 28/313</b>	Momentary; DSPST NO & NC 1.75" narrow width Exit Red Push Button.
<b>Option</b>	
<b>PTD</b>	Electronic Time Delay adj. from 1 to 60 seconds; 12 or 24 VDC, SPDT.



<b>Ordering Information</b>	
<b>340 x 28/313</b>	Momentary; DSPST NO & NC 3.0" standard width Red Push Button.
<b>340N x 28/313</b>	Momentary; DSPST NO & NC 1.75" narrow width Red Push Button.
<b>Option</b>	
<b>PTD</b>	Electronic Time Delay adj. from 1 to 60 seconds; 12 or 24 VDC, SPDT.

## 120 Series PANNEX™ Electric Push Bar

The 120 Series Electric Push Bar is used to activate controls in a means of egress. This device is our Grade 1 Rim Exit Device, but minus the latch & strike assembly.



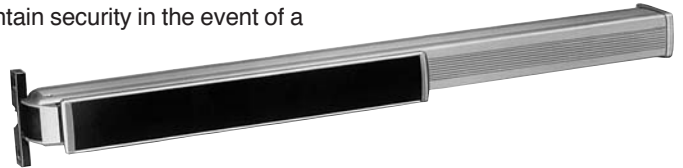
### Ordering Information

**Prefix L for 48" Devices.**

- |                     |   |
|---------------------|---|
| 120A x SS1 x 28/313 | Electric Push Bar, and SPDT Signal Switch.                    |
| 120D x SS1 x 28/313 | Electric Push Bar with Dogging, and SPDT Signal Switch.       |
| 120A x SS2 x 28/313 | Electric Push Bar, and two SPDT Signal Switches.              |
| 120D x SS2 x 28/313 | Electric Push Bar with Dogging, and two SPDT Signal Switches. |

## 1200 Series PANNEX™ Rim Exit Device

The 1200 Series is specified when high security and safe means of egress are a priority. Our patented ANSI/BHMA Grade 1 device is UL Listed for 3-hour fire doors, and can be supplied with signal switches and alarms. The 1200 Series is recommended for access-controlled applications on fire doors, and to maintain security in the event of a power failure.



### Ordering Information

**Prefix L for 48" Devices.**

- |                |  |
|----------------|--|
| 1200A x 28/313 | Rim Exit Device for Exit Only.                     |
| 1200C x 28/313 | Rim Exit Device with Cylinder Dogging.             |
| 1200D x 28/313 | Rim Exit Device with Cam Lock Dogging.             |
| 1200F x 28/313 | Rim Exit Device for up to 3-hour-rated Fire Doors. |

## 1300 Series PANNEX™ Rim Exit Device

The 1300 Series is specified for a high-security means of egress with access-controlled entry. Our patented ANSI/BHMA Grade 1 device includes a dual-voltage (12 VDC or 24 VDC) continuous-duty solenoid to provide a remote unlock feature for controlled entry. When operated only 800 ma for 12 VDC or 400 ma for 24 VDC is required to unlock the device or to dog it unlocked. Fire-rated devices must be powered through a fire alarm system relay.



### Ordering Information

**Prefix L for 48" Devices.**

- |                |  |
|----------------|--|
| 1300A x 28/313 | Electrified Rim Exit Device.                                   |
| 1300C x 28/313 | Electrified Rim Exit Device with Cylinder Dogging.             |
| 1300D x 28/313 | Electrified Rim Exit Device with Cam Lock Dogging.             |
| 1300F x 28/313 | Electrified Rim Exit Device for up to 3-hour-rated Fire Doors. |

## Optional PANNEX™ Signal Switches

SPDT or DPDT signal switches are installed in the housing track of the device to remove power from an electromagnetic lock, or to power remote alarms, electric locks, and other security devices. Depression of the push bar momentarily activates the switches.

- |                 |  |
|-----------------|--|
| SS1             | SPDT Form C Signal Switch.   |
| SS2             | Two SPDT Form C Signal Switches.   |
| Switch Ratings: | 3 A @ 30 VDC with inductive load. UL Recognized, CSA Approved.<br>4 A @ 30 VDC with resistive load. UL Recognized, CSA Approved. |
| Inrush Current: | NC, 20 A maximum with any type load.<br>NO, 10 A maximum with any type load.   |



# ALARMS, DOOR LOOPS, & PIR

Alarm modules are interchangeable for all PANNEX™ Rim Exit Devices, and can either be factory or field installed in the housing track of the unit. The alarm is armed by key, then activated by depressing the push bar, and remains on until reset by key.

## Ordering Information

<b>10A x 28/313</b>	Alarm Module, powered by one 9 VDC battery.
<b>20A x 28/313</b>	Alarm Module, powered by remote 10 to 26 VDC, one 9 VDC battery backup.
<b>30A x 28/313</b>	Alarm Module, powered by remote 10 to 26 VDC. D suffix for cam lock dogging. e.g. 10D x 28

## Alarm Switches

<b>SS1-A</b>	SPDT Form C Alarm Switch. Activated by Push Bar.
<b>SS2-A</b>	Two SPDT Form C Alarm Switches. Deactivated when alarm is "off". Switch Ratings: 0.5 A @ 28 VDC or 115 VAC.

## DL418 Door Loop

The DL418 armored door loop is 18" long with ¼" I.D. flexible steel conduit, and an attractive steel housing on each end. Predrilled for wires and concealed mounting screws. Specify for transferring electrical current between door and frame.

<b>Capacity:</b>	4 – 18 AWG stranded, PVC insulated (600 V 105° C, UL1015) conductors, or 7 – 20 or 18 AWG stranded, .015 thick PVC insulated (300 V 105° C, UL1569) conductors, or 10 – 22 AWG stranded, .015 thick PVC insulated (300 V 105° C, UL1569) conductors. Wires not included.
<b>Finishes:</b>	Aluminum (689), Duranodic (690) and Gold (706) Powder-Coat.



## Ordering Information

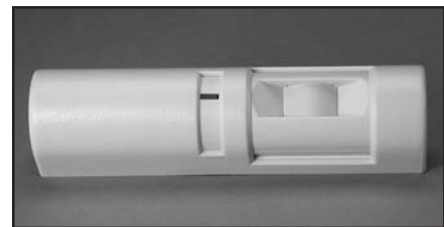
<b>DL418 x 28/313/28G</b>	18" long Armored ¼" I.D. flexible steel conduit.
---------------------------	--

## 400 Series Motion Detector

The 400 Series passive infrared detector was designed for "Request to Exit" applications. UL listed as an access control device under the UL 294 standard. The 400 Series may be used in conjunction with our electromagnetic lock, to unlock the door when motion is detected and relock after a brief interval of 30 seconds minimum, which complies with the "Access-Controlled Egress Doors" section of the building codes.

## Specifications

<b>Input:</b>	12 or 24 V field-selectable AC or DC, maximum of 45 mA AC or 38 mA DC.
<b>Output:</b>	DPDT Relay contacts, rated 2 A at 30 VDC (resistive). Relay activates when motion is detected and remains activated until "latch time" expires, then deactivates. An external LED lights during activation for ease in aiming.
<b>Coverage:</b>	8 ft x 10 ft when mounted minimum of 7 ft high. 10 ft x 13 ft when mounted on 8 ft ceilings.
<b>Temperature Limits:</b>	Both storage and operation: -20°F to +120°F.
<b>RFI Immunity:</b>	No alarm or setup on critical frequencies from 26 to 1000 MHz at 50 V/m.
<b>Standby Power:</b>	Provide 38 mAh per hour of desired standby from an external source.
<b>Dimensions:</b>	1.5" H x 6.25" W x 1.5" D. Wt. 6 oz.



## Ordering Information

<b>400B</b>	Passive Infrared Detector in a Black Finish.
<b>400G</b>	Passive Infrared Detector in a Light Gray Finish.

