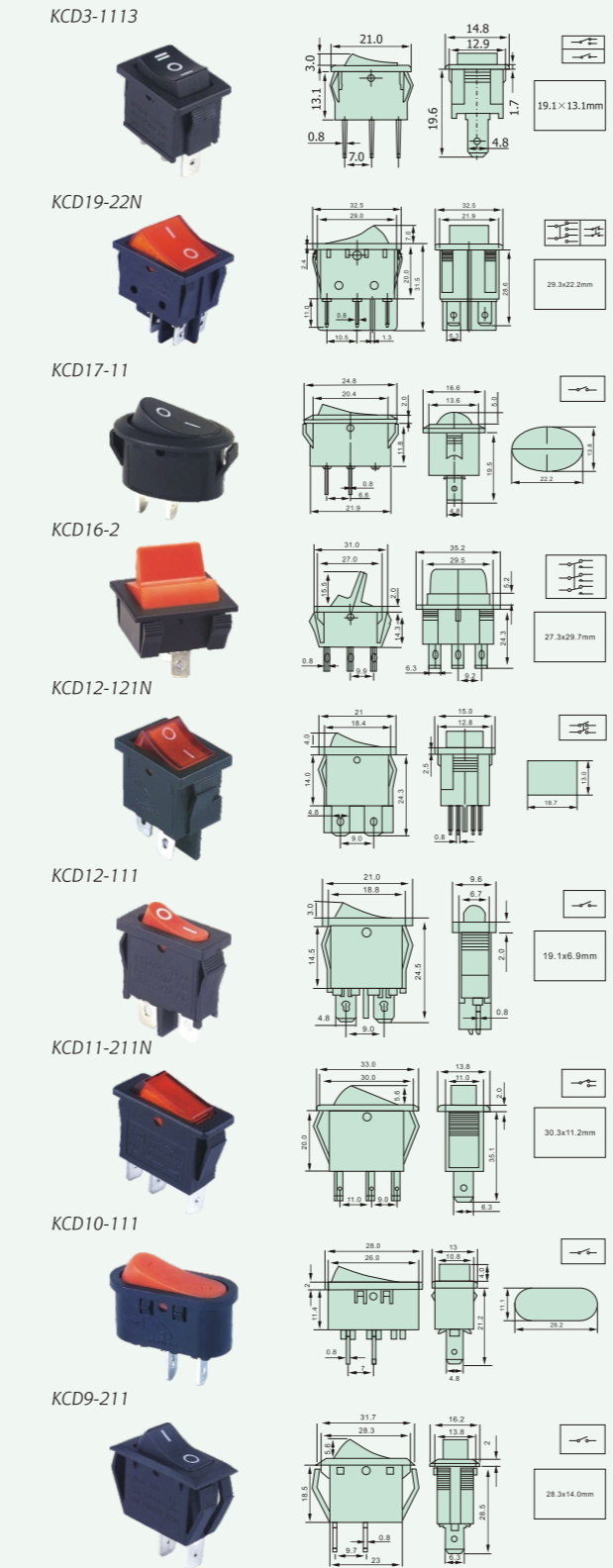


Ref.	Model	Colour	Terminal Leg	Rated Current(A)		Case Qty.(Pcs)	Item Code
				250VAC	125VAC		
KCD3-1113	KCD3-1113	Black	3	6	10	5000	1731113
KCD19-22N	KCD19-22N	Red	4	15	20	1000	1719221
		Green	4	15	20	1000	1719220
KCD19-22	KCD19-22	Black	4	15	20	1000	1719220
Note: N means with lamp							
KCD17-11	KCD17-11	Black	2	6	10	4000	1717110
KCD16-2	KCD16-2	Red	6	15	20	1000	1716020
KCD12-121N	KCD12-121N	Red	4	6	10	5000	1712121
KCD12-121	KCD12-121	Black	4	6	10	5000	1712120
Note: N means with lamp							
KCD12-111	KCD12-111	Red	2	6	10	5000	1712111
		Black	2	6	10	5000	1712111
KCD11-211N	KCD11-211N	Red	3	15	20	2000	1711211
Note: N means with lamp							
KCD10-111	KCD10-111	Red	2	6	10	3000	1710111
KCD9-211	KCD9-211	Red	2	15	20	4000	1792110
		Black	2	15	20	4000	1792110



Ref.	Model	Colour	Terminal Leg	Rated Current(A)		Case Qty.(Pcs)	Item Code
				250VAC	125VAC		
KCD8-212N	KCD8-212N	Red	6	15	20	1000	1782121
	KCD8-212	Black Green	6	15	20	1000	1782120
Note: N means with lamp							
KCD8-211N	KCD8-211N	Red	3	15	20	2000	1782111
	KCD8-211	Green Black	2	15	20	2000	1782110
Note: N means with lamp							
KCD7-221N	KCD7-221N	Red	4	15	20	1000	1772211
	KCD7-221	Yellow Green Black	4	15	20	1000	1772210
Note: N means with lamp							
KCD6-211N	KCD6-211N	Red	3	15	20	4000	1762111
	KCD6-211	Yellow Green Black	3	15	20	4000	1762110
Note: N means with lamp							
KCD5-111N	KCD5-111N	Red	3	6	10	4000	1751111
	KCD5-111	Black	2	6	10	4000	1751110
Note: N means with lamp							
KCD4-121	KCD4-121	Black	4	6	10	2000	1741210
KCD3-112N	KCD3-112N	Red	6	6	10	2000	1731121
	KCD3-112	Black	4	6	10	2000	1731120
Note: N means with lamp							
KCD7-2213	KCD7-2213	Black	6	15	20	1000	1722210
KCD1-111	KCD1-111	Red Green Black	3	6	10	5000	1711110

● SELECTION OF BS PUSHBUTTON SWITCH

BS power pushbutton switch is applicable to the motor of the voltage up to 500V and the capacity up to 3KW for directly starting run and breaking, also for infrequently turning on and off loaded current. It's characteristic of accurate on-off, safe and reliable, high intensity of machinery and widely used in machine tools, textile machinery, etc. The switch is the best choice for machinery power.

Ref.	Model	No. of Phases	Rated Voltage(V)	Applicable Motor capacity KW(HP)	Resistance load (A)	L × W × H	Case Qty.(Pcs)	Item Code
BS211B	BS-211B	2,3	500	0.75(1) at 220V	7.5(10)	90 × 42.5 × 48	120	1800211
	BS-216B	2,3	500	2.2(3) at 220V	15(20)	93 × 52 × 54	120	1800216
	BS-230B	2,3	500	220V	(30)	110 × 61 × 56	120	1800230



● SELECTION OF COB SERIES PUSHBUTTON SWITCH

COB pushbutton switch is suitable in circuit of AC 50 or 60Hz, voltage up to 500V, rated current up to 5A for controlling start and stop of remote motor. It is widely used in machine tool, textile machinery, etc. There are five specifications in this series: 2 lines, 4 lines, 6 lines, 8 lines, 10 lines.



Model: COB-61
Item Code: 1800061
Case Qty.: 72Pcs

Model: COB-62
Item Code: 1800062
Case Qty.: 48Pcs

Model: COB-63
Item Code: 1800063
Case Qty.: 42Pcs

Model: COB-64
Item Code: 1800064
Case Qty.: 30Pcs



Model: COP-61
Item Code: 1800161
Case Qty.: 40Pcs



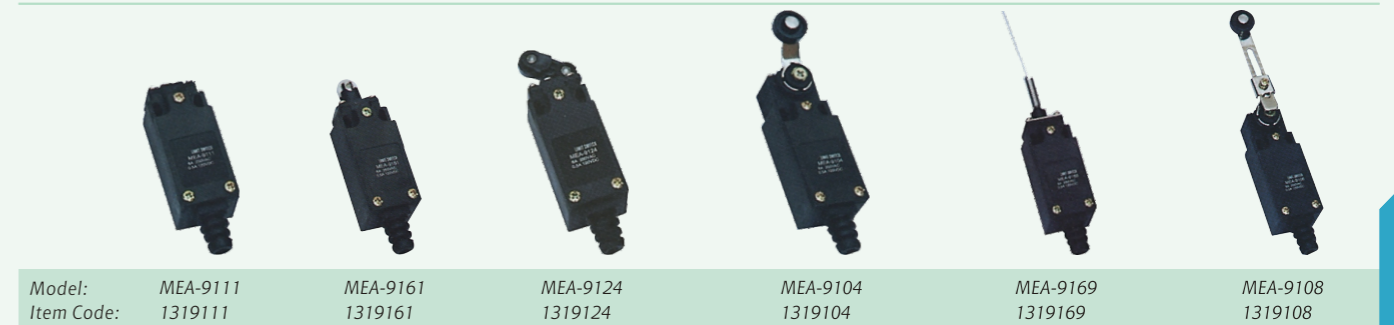
Model: COP-62
Item Code: 1800162
Case Qty.: 30Pcs



Model: COP-63
Item Code: 1800163
Case Qty.: 25Pcs

• **SELECTION OF LIMITING SWITCH**

Limiting switches are ideal electrical control switches in mechanical and other industries. They have features of complete specifications and varieties of types, compact structure, nice appearance, excellent performance, flexible and reliable action, easy installation, operation, maintenance and adjustment. The switches are applicable to AC control circuits of 40 to 60Hz, with a voltage up to 500V or DC control circuits with a voltage up to 600V, and a current up to 10A to convert a mechanical signal into an electrical signal for the purpose of controlling mechanical movement or performing sequential control.





Model: LK3-20S/T	LK3-20S/H2	LDE3 120-1D	LDE3 120-1B	LDE3 120-1G	LDE3 120-1T
Item Code: 1433200	1433208	1531204	1531202	1531207	1531200



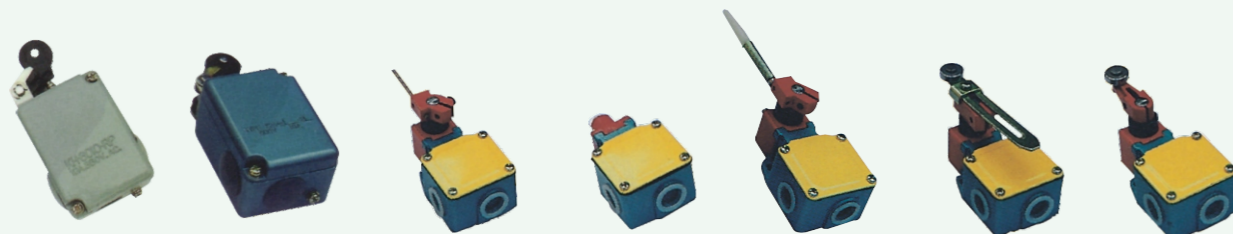
Model: LK3-20S/W	LK3-20S/D	LDE3 100-1R	LDE3 100-1G	LDE3 404D	LDE3 100-TA	LDE3 100-1U
Item Code: 1433203	1433204	1531008	1531007	1534044	1531001	1531003



Model: LK3-20S/Z	LK3-20S/L	LDE3 120-1C	LDE3 120-1E	LDE3 120-1U	LDE3 120-1R	LDE3 120-1W
Item Code: 1432026	1432011	1531203	1531205	1531201	1531206	1531208



Model: LK3-20S/J	LK3-20S/B	LDE3 100-1F	LDE3 100-1B	LDE3 303-1D	LDE3 100-1E	LDE3 100-1W
Item Code: 1432010	1432002	1531006	1533002	1533034	1531005	1531009



Model: KH-8010-RP	K244	LK3-20H/J	LK3-20H/Z	LK3-20H/D	LK3-20H/T	LK3-20H/B
Item Code: 1880106	1124400	1432081	1432027	1432104	1432120	1432202



Model: Z-15HW24-B	Z-15GQ-B	Z-15GW-B	Z-15GW22-B	Z-15GQ22-B
Item Code: 2682321	2671700	2672300	2672322	2671722



Model: Z-15GD-B	Z-15GQ21-2B	Z-15GW2-B	Z-15G-B	Z-15GW21-B
Item Code: 2670400	2671722	2672300	2670000	2172321



Model: LXW5-11Z	LXW5-11N2	LXW5-11D	LXW5-11G1	LXW5-11G3
Item Code: 1311260	1311142	1311004	1311071	1311073



Model: LXW5-11Q2	LXW5-11M	LXW5-11Q1	LXW5-11G2	LXW5-11N1
Item Code: 1311172	1311130	1311171	1311072	1311141



Model: AZ-7100	AZ-7110	AZ-7144	AZ-7124	AZ-7121
Item Code: 1267100	1267110	1267144	1267124	1267121



Model: AZ-7141	AZ-7166	AZ-7310	AZ-7311	AZ-7312
Item Code: 1267141	1267166	1267310	1267311	1267312