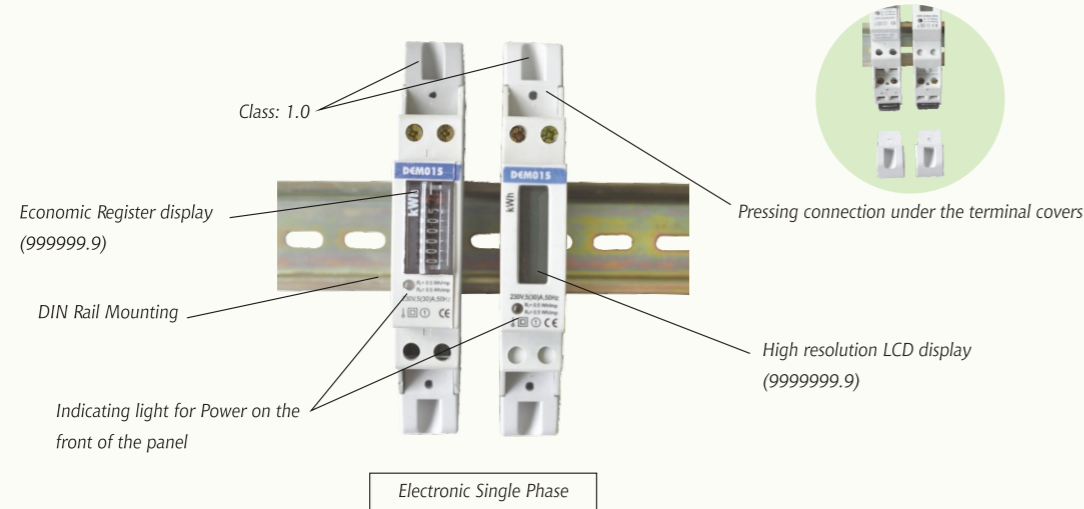


● FEATURE

DPM015 Series

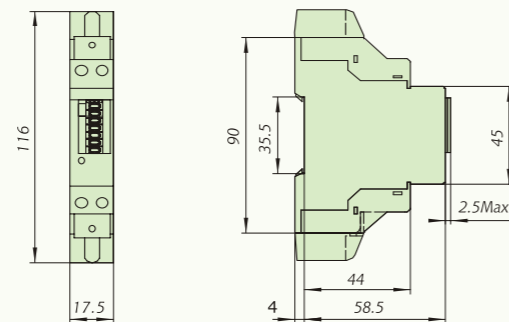


Electronic Single Phase

Ref.	Model	Rated Voltage(V)	Basic Current(A)	Max. Current(A)	Display Range	Case Qty.(Pcs)	Item Code
DPM015SS	DPM015SS	127 230	5	30	999999.9 Register	100	46301599
	DPM015SA	127 230	5	30	999999.9 Register	100	46301591
	DPM015SD	127 230	5	30	9999999.9 LCD	100	46301594

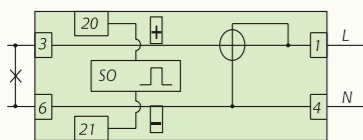
Note: Please mention the voltage and current when ordering. Special specifications upon request.

● DIMENSION



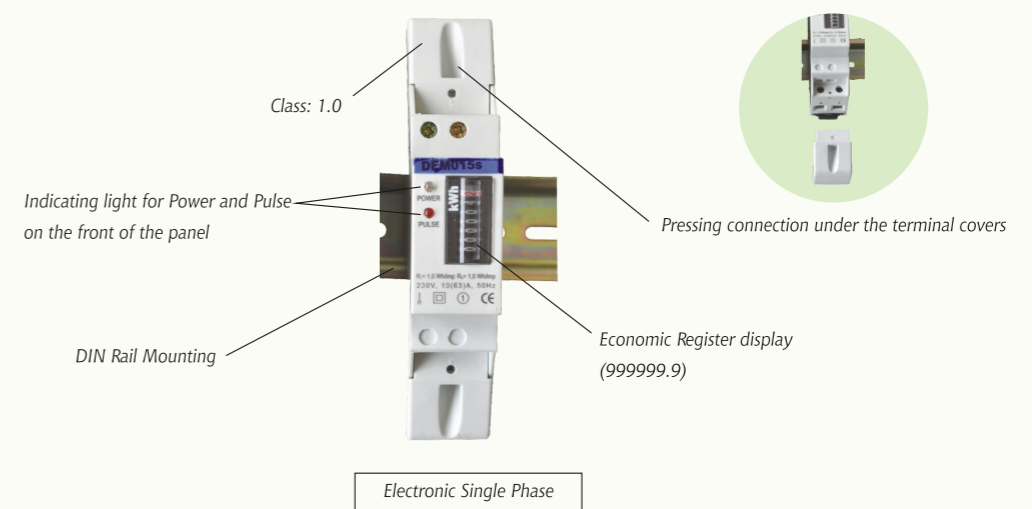
● WIRING DIAGRAM

Terminal	Note
1	Inlet phase line
4	Inlet neutral line
3	Outgoing phase line
6	Outgoing neutral line (Inlet from top, outlet from bottom)
20 and 21	Port of pulse output passive



● FEATURE

DPM015 Series

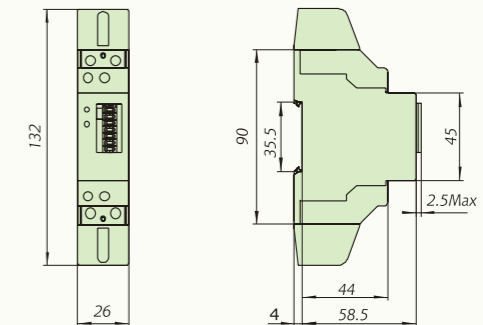


Electronic Single Phase

Ref.	Model	Rated Voltage(V)	Basic Current(A)	Max. Current(A)	Display Range	Case Qty.(Pcs)	Item Code
DPM015SM	DPM015SM	127 230	10	65	999999.9 Register	100	46301593

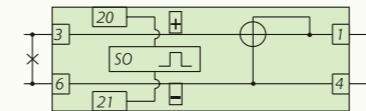
Note: Please mention the voltage and current when ordering. Special specifications upon request.

● DIMENSION



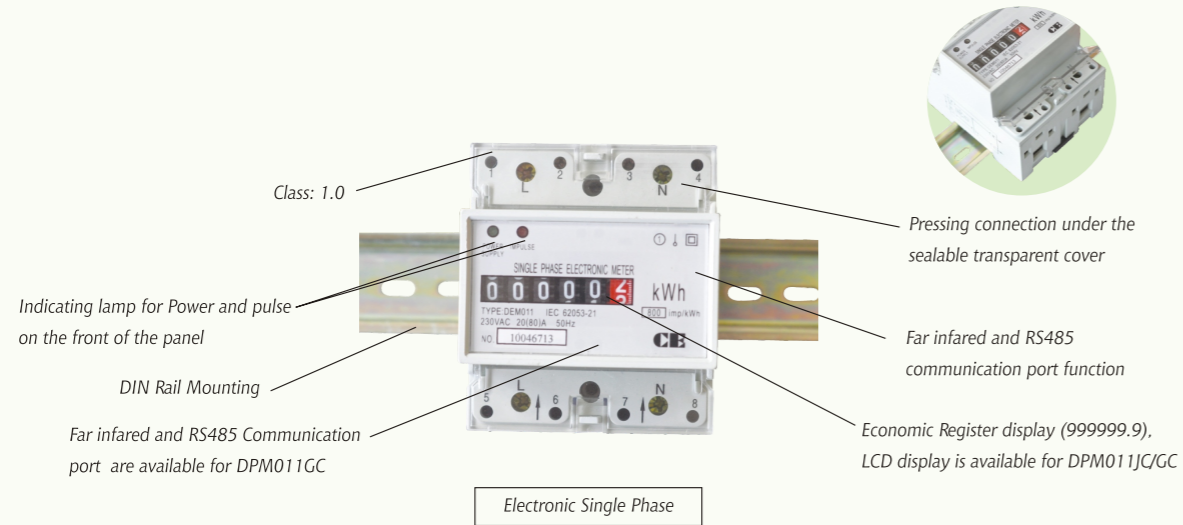
● WIRING DIAGRAM

Terminal	Note
1	Inlet phase line
4	Inlet neutral line
3	Outgoing phase line
6	Outgoing neutral line (Inlet from top, outlet from bottom)
20 and 21	Port of pulse output passive



● FEATURE

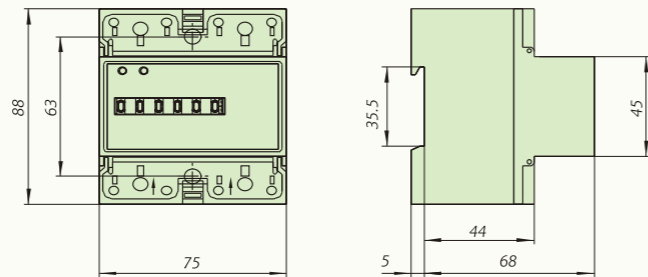
DPM011 Series



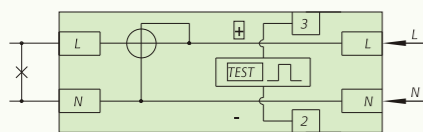
Ref.	Model	Rated Voltage(V)	Basic Current(A)	Max. Current(A)	Display Range	Case Qty.(Pcs)	Item Code
DPM011AG	DPM011AG	127 230	5 10 20	30 50 100	999999.9 Register	64	46301117
	DPM011JC	127 230	5 10 20	30 50 100	999999.9 LCD	64	46301103
	DPM011GC	127 230	5 10 20	30 50 100	999999.9 LCD	64	46301193

Note: Please mention the voltage and current when ordering. Special specifications upon request.

● DIMENSION



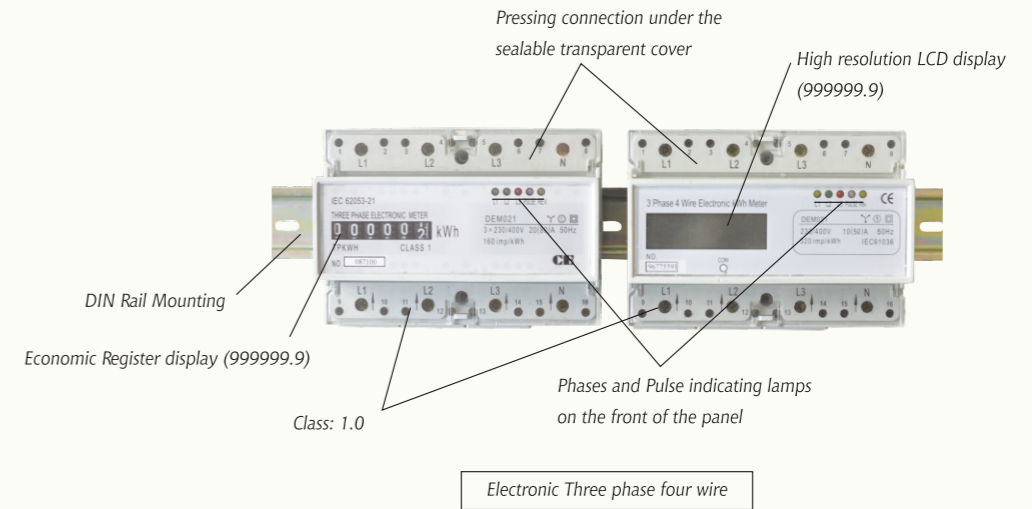
● WIRING DIAGRAM



Terminal	Note
1	Inlet phase line
4	Inlet neutral line
3	Outgoing phase line
6	Outgoing neutral line (Inlet from top, outlet from bottom)
20 and 21	Port of pulse output passive

● FEATURE

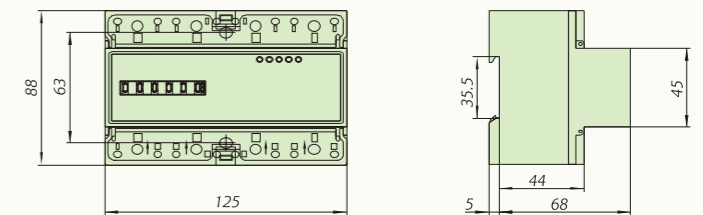
DPM021 Series



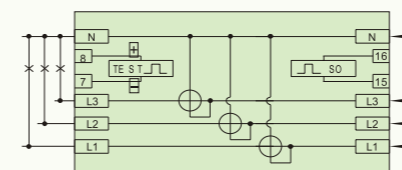
Ref.	Model	Rated Voltage(V)	Basic Current(A)	Max. Current(A)	Display Range	Case Qty.(Pcs)	Item Code
DPM021DF	DPM021DF	127/220 230/400	5 10 20	30 60 100	999999.9 Register	20	46302141
	DPM021MC	127/220 230/400	5 10 20	30 60 100	999999.9 LCD	20	46302133
	DPM021GC	127/220 230/400	5 10 20	30 60 100	999999.9 LCD	20	46302173

Note: Please mention the voltage and current when ordering. Special specifications upon request.

● DIMENSION



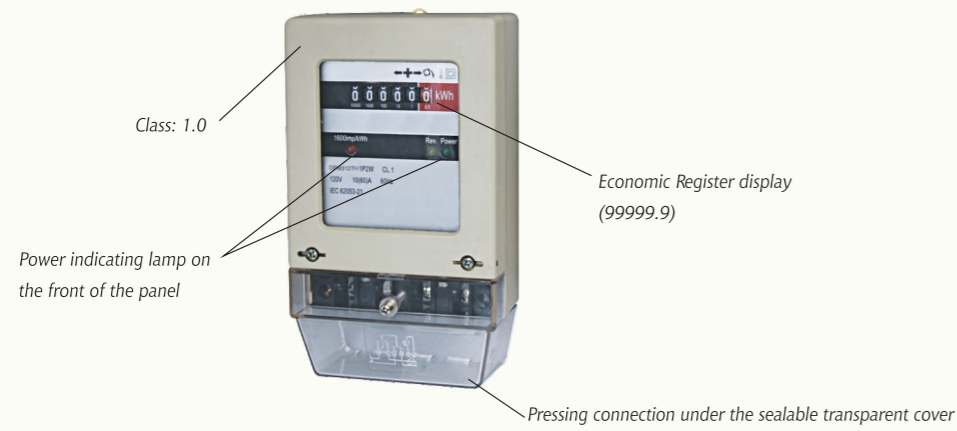
● WIRING DIAGRAM



Terminal	Note
L1	L1 Phase line
L2	L2 Phase line
L3	L3 Phase line
N	Neutral line
7 and 8	Port of pulse output passive closed
15 and 16	Port of pulse output passive closed

● FEATURE

DPM312 Series

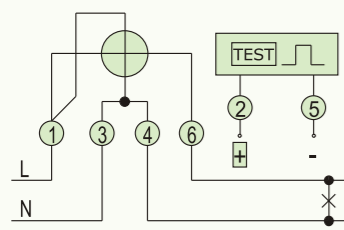
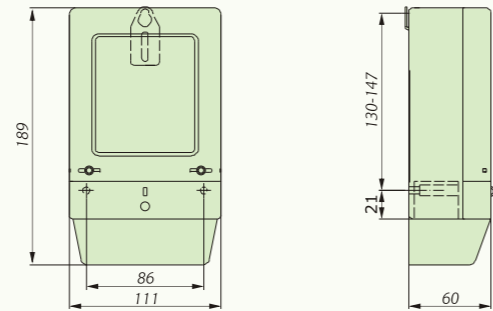


Electronic Single Phase

Ref.	Model	Rated Voltage(V)	Basic Current(A)	Max. Current(A)	Display Range	Case Qty.(Pcs)	Item Code
DPM312TH	DPM312TH	127	5	30	99999.9 Register	20	46331208
		230	10	60			
			20	100			

Note: Please mention the voltage and current when ordering. Special specifications upon request.

● DIMENSION

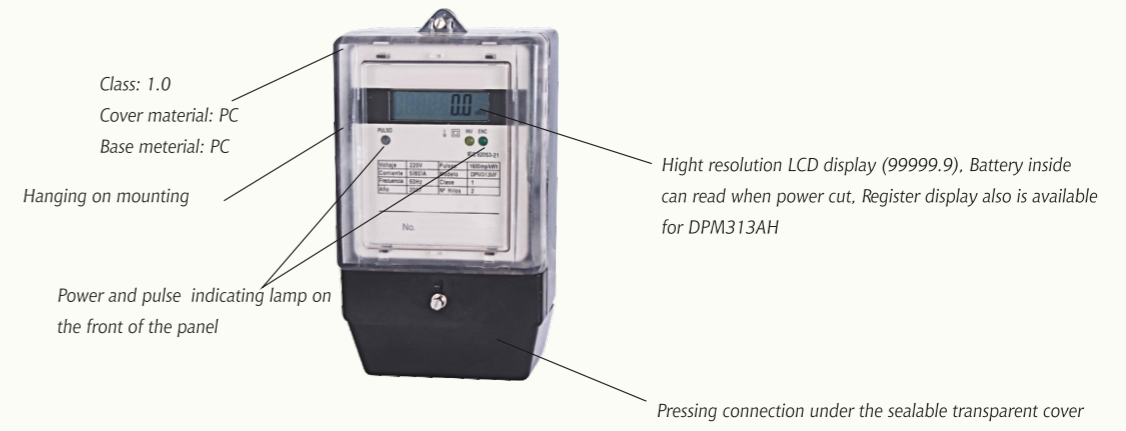


● WIRING DIAGRAM

Terminal	Note
1	Inlet phase line
3	Inlet neutral line
4	Outgoing neutral line
6	Outgoing phase line
2 and 5	Port of pulse output passive

● FEATURE

DPM313 Series

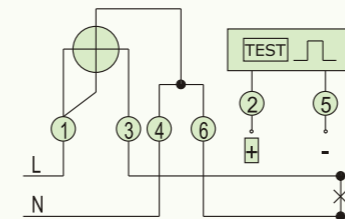
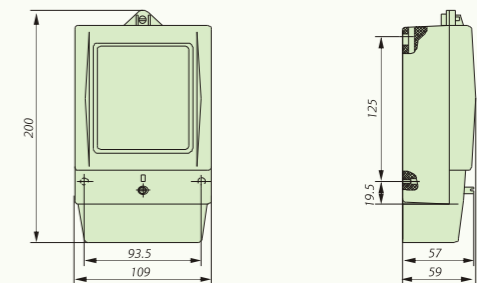


Electronic Single Phase

Ref.	Model	Rated Voltage(V)	Basic Current(A)	Max. Current(A)	Display Range	Case Qty.(Pcs)	Item Code
DPM313AH	DPM313AH	127	5	30	99999.9 Register	20	46331318
		230	10	60			
			20	100			
	DPM313MF	127	5	30	99999.9 LCD	20	46313136
		230	10	60			
			20	100			

Note: Please mention the voltage and current when ordering. Special specifications upon request.

● DIMENSION

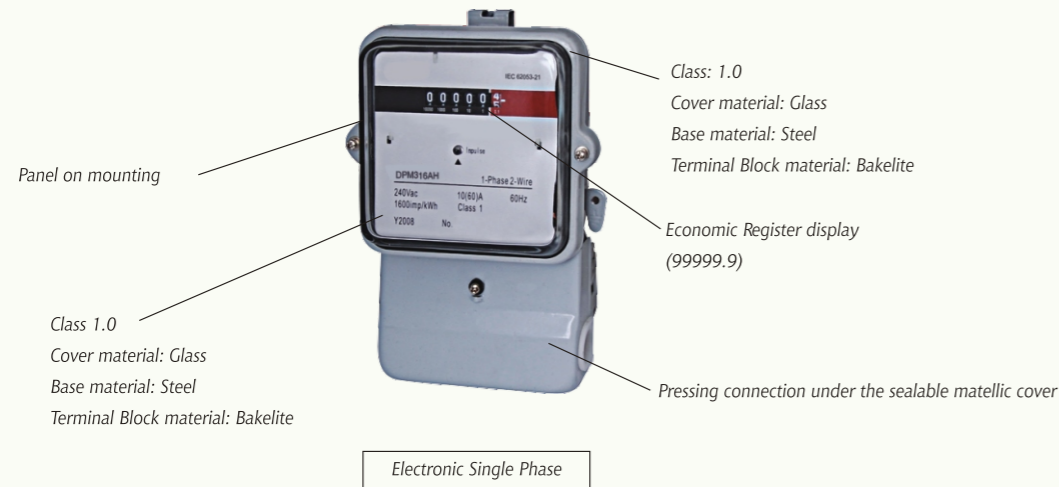


● WIRING DIAGRAM

Terminal	Note
1	Inlet phase line
3	Outgoing phase line
4	Inlet neutral line
6	Outgoing neutral line
2 and 5	Port of pulse output passive

● FEATURE

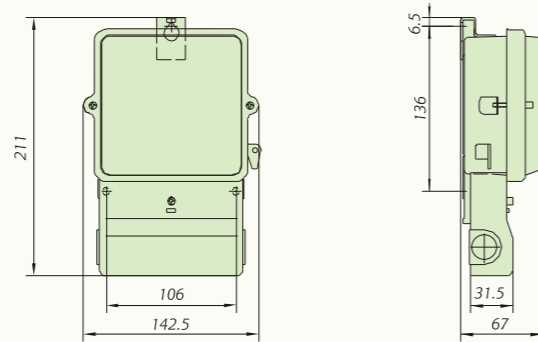
DPM316 Series



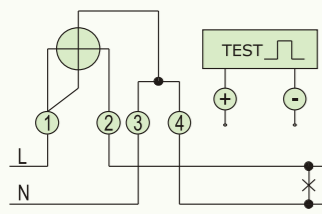
Ref.	Model	Rated Voltage(V)	Basic Current(A)	Max. Current(A)	Display Range	Case Qty.(Pcs)	Item Code
DPM316AH	DPM316AH	127	5	30	99999.9 Register	12	46331618
		230	10	60			
			20	100			

Note: Please mention the voltage and current when ordering. Special specifications upon request.

● DIMENSION



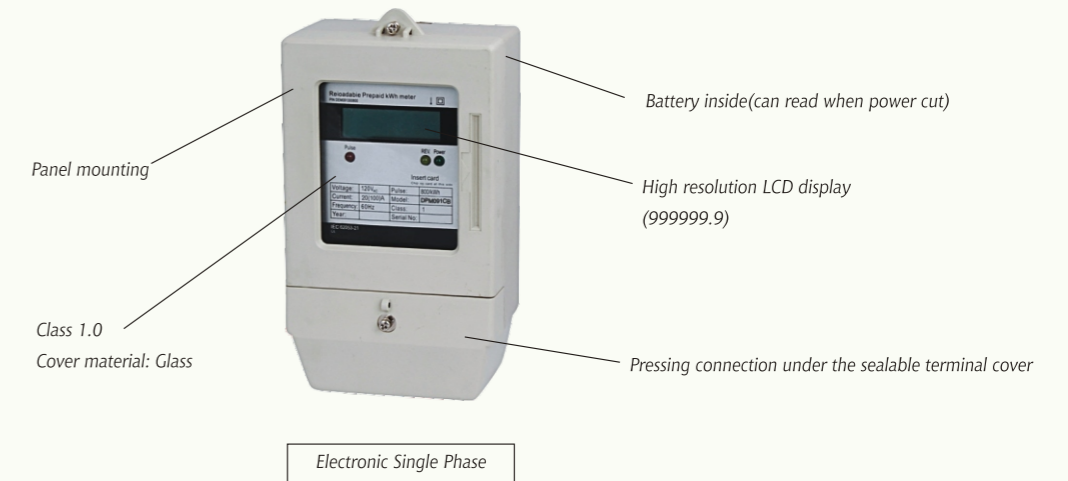
● WIRING DIAGRAM



Terminal	Note
1	Inlet phase line
2	Outgoing phase line
3	Inlet neutral line
4	Outgoing neutral line
+ and -	Port of pulse output passive

● FEATURE

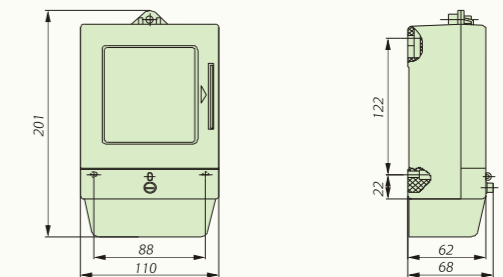
DPM091 Series



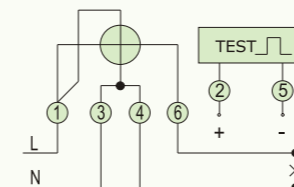
Ref.	Model	Rated Voltage(V)	Basic Current(A)	Max. Current(A)	Display Range	Case Qty.(Pcs)	Item Code
DPM091PB	DPM091PB	127	5	30	999999.9 Register	20	46309162
		230	10	60			
			20	100			
	DPM091QB	127	5	30	999999.9 LCD	20	46309172
		230	10	60			
			20	100			
	Reader	-	-	-	-	-	46309110
	Software	-	-	-	-	-	46309111

Note: Please mention the voltage and current when ordering. Special specifications upon request.

● DIMENSION



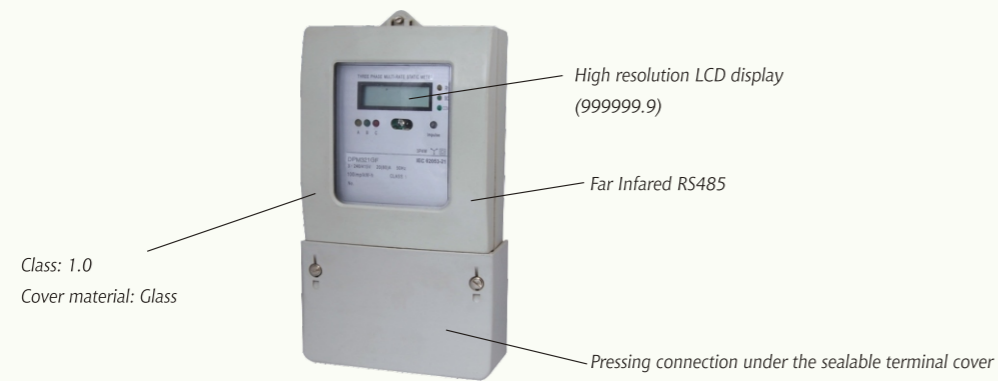
● WIRING DIAGRAM



Terminal	Note
1	Inlet phase line
3	Inlet neutral line
4	Outgoing neutral line
5	Outgoing phase line
2 and 5	Port of pulse output passive closed

● FEATURE

DPM321 Series

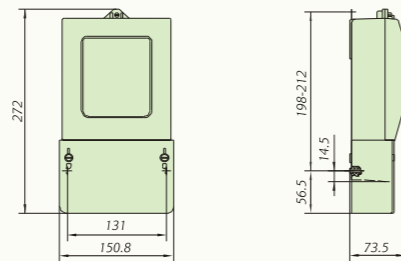


Electronic Three Phase Four Wire

Ref.	Model	Rated Voltage(V)	Basic Current(A)	Max. Current(A)	Display Range	Case Qty.(Pcs)	Item Code
DPM321DT	DPM321DT	127/220 230/400	5 10 20	30 60 100	999999.9 Register	8	46332140
	DPM321GF	127/220 230/400	5 10 20	30 60 100	999999.9 LCD	8	46332176

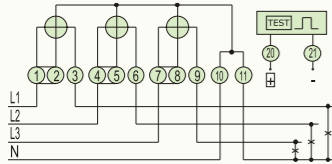
Note: Please mention the voltage and current when ordering. Special specifications upon request.

● DIMENSION



● WIRING DIAGRAM

Terminal	Note
1	L1 Inlet phase
3	L1 Outgoing phase
4	L2 Inlet phase
6	L2 Outgoing phase
7	L3 Inlet phase
9	L3 Outgoing phase
10	Inlet neutral line
11	Outgoing neutral line
20 and 21	Port of pulse output passive



● FEATURE

DPM101 Series

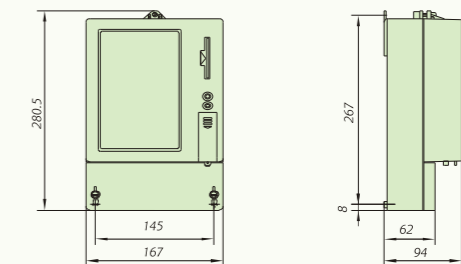


Electronic Three Phase Four Wire

Ref.	Model	Rated Voltage(V)	Basic Current(A)	Max. Current(A)	Display Range	Case Qty.(Pcs)	Item Code
DPM101PC	DPM101PC	127/220 230/400	5 10 20	30 60 100	99999.9 LED	8	46310163
	Reader	-	-	-	-	-	46309110
	Software	-	-	-	-	-	46309111

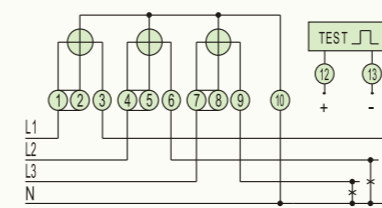
Note: Please mention the voltage and current when ordering. Special specifications upon request.

● DIMENSION



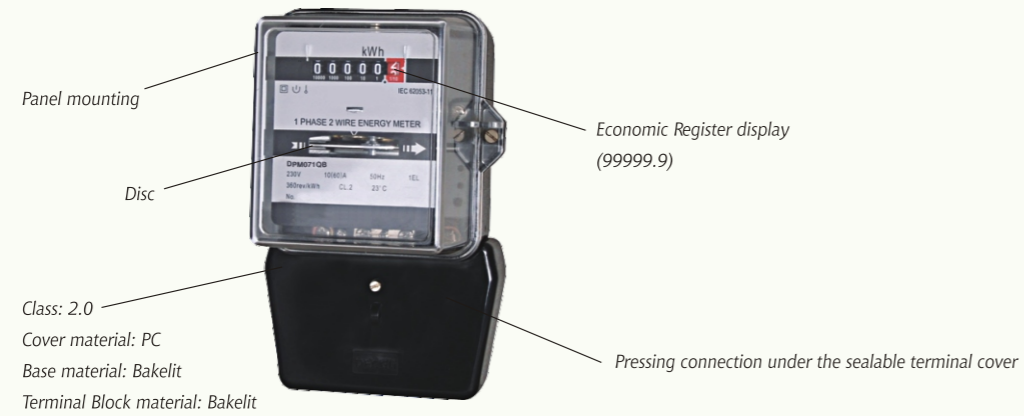
● WIRING DIAGRAM

Terminal	Note
1	L1 Inlet phase line
3	L1 Outgoing phase line
4	L2 Inlet phase line
6	L2 Outgoing phase line
7	L3 Inlet phase line
9	L3 Outgoing phase line
10	Neutral line
12 and 13	Port of pulse output passive closed



• FEATURE

DPM071 Series



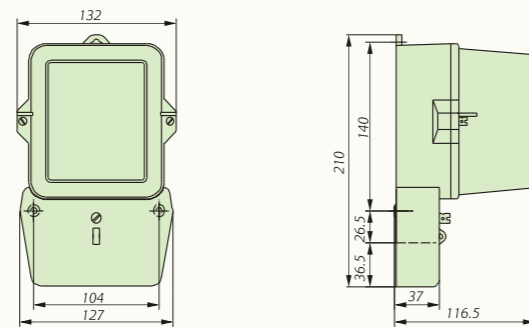
Electromechanical Single Phase

Ref.	Model	Rated Voltage(V)	Basic Current(A)	Max. Current(A)	Display Range	Case Qty.(Pcs)	Item Code
DPM071QB		127	5	30	99999.9 Register	12	46307172
		230	10	60			
			20	100			

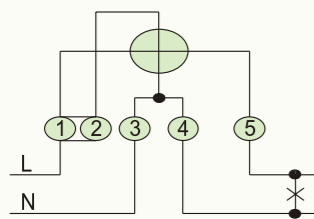
Note: Please mention the voltage and current when ordering. Special specifications upon request.



• DIMENSION



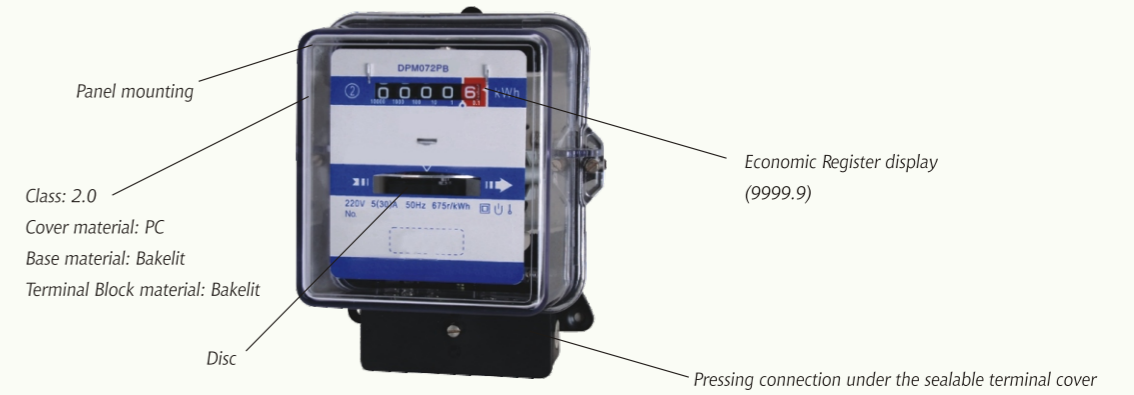
• WIRING DIAGRAM



Terminal	Note
1	Inlet phase line
3	Inlet neutral line
4	Outgoing neutral line
5	Outgoing phase line

• FEATURE

DPM072 Series



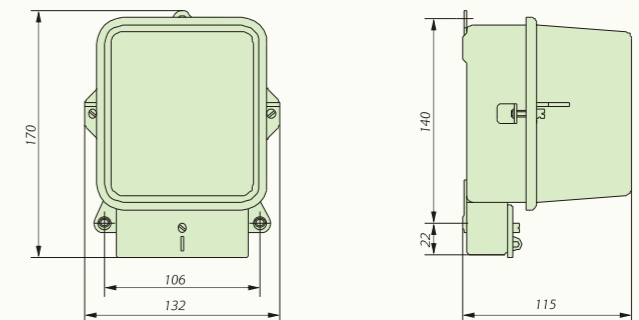
Electromechanical Single Phase

Ref.	Model	Rated Voltage(V)	Basic Current(A)	Max. Current(A)	Display Range	Case Qty.(Pcs)	Item Code
DPM072PB		127	5	30	9999.9 Register	12	46307262
		230	10	60			
			20	100			

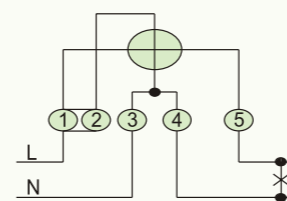
Note: Please mention the voltage and current when ordering. Special specifications upon request.



• DIMENSION



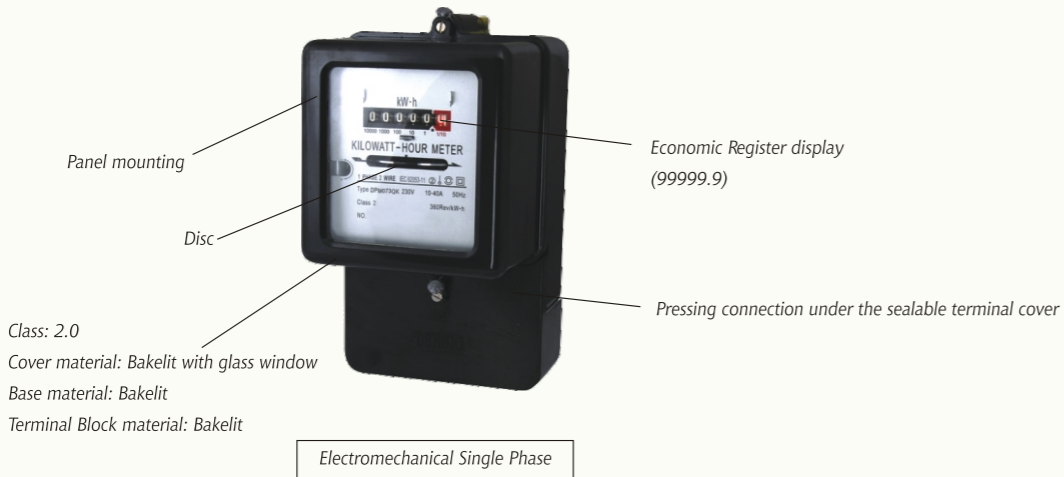
• WIRING DIAGRAM



Terminal	Note
1	Inlet phase line
3	Inlet neutral line
4	Outgoing neutral line
5	Outgoing phase line

• FEATURE

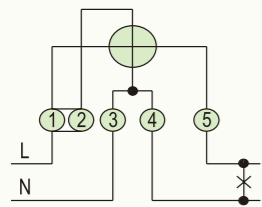
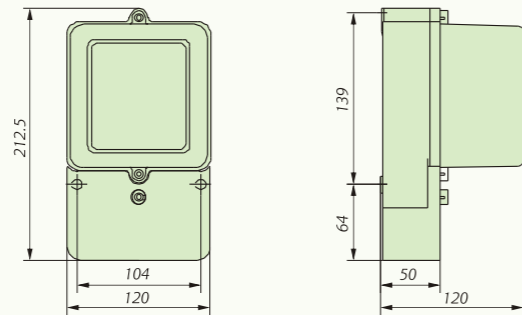
DPM073 Series



Ref.	Model	Rated Voltage(V)	Basic Current(A)	Max. Current(A)	Display Range	Case Qty.(Pcs)	Item Code
DPM073QK	DPM073QK	127	5	30	99999.9 Register	12	46307371
		230	10	60			
			20	80			
			30	100			

Note: Please mention the voltage and current when ordering. Special specifications upon request.

• DIMENSION

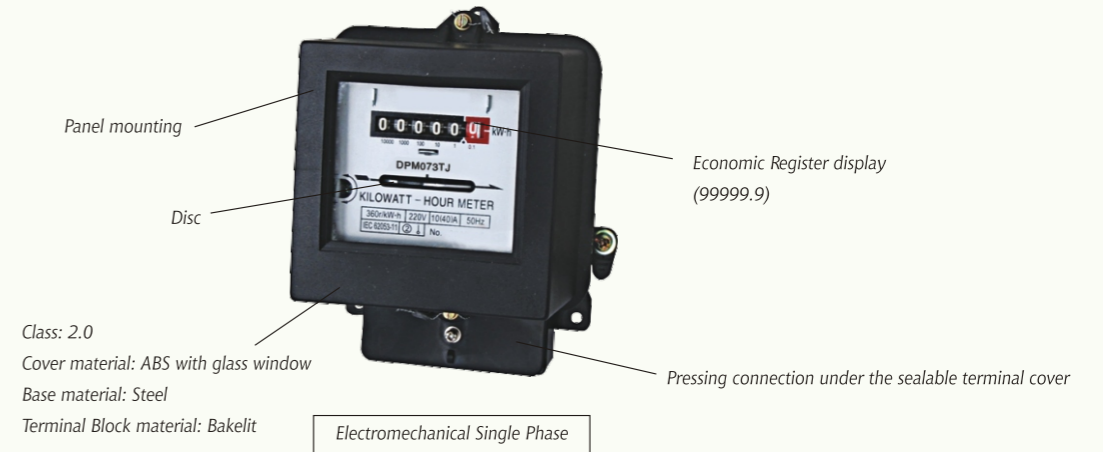


• WIRING DIAGRAM

Terminal	Note
1	Inlet phase line
3	Inlet neutral line
4	Outgoing neutral line
5	Outgoing phase line

• FEATURE

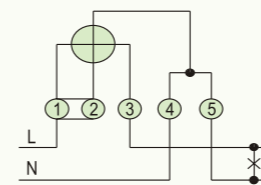
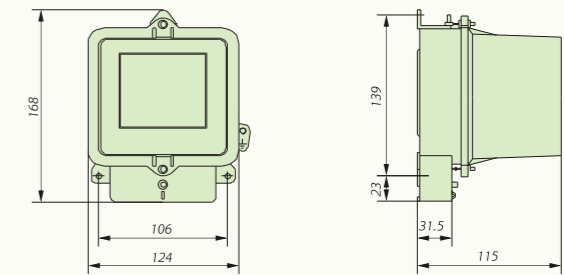
DPM073 Series



Ref.	Model	Rated Voltage(V)	Basic Current(A)	Max. Current(A)	Display Range	Case Qty.(Pcs)	Item Code
DPM073TJ	DPM073TJ	127	5	30	99999.9 Register	12	46307300
		230	10	40			
			20	80			
			30	100			

Note: Please mention the voltage and current when ordering. Special specifications upon request.

• DIMENSION

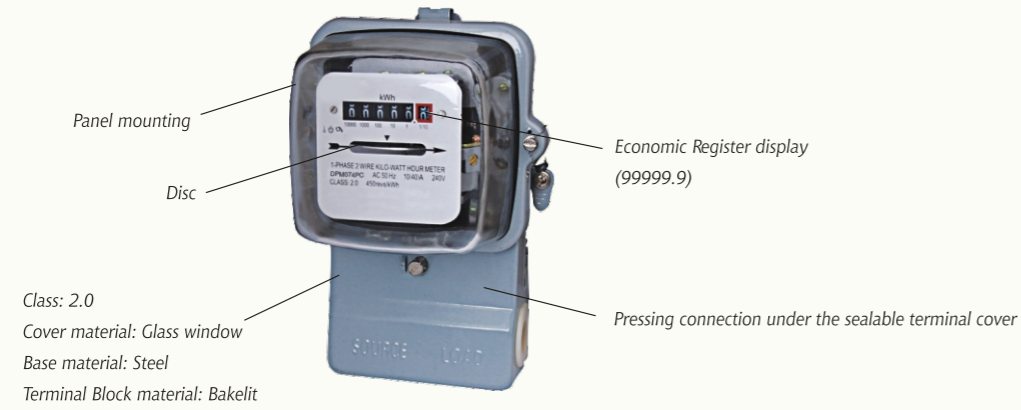


• WIRING DIAGRAM

Terminal	Note
1	Inlet phase line
3	Outgoing phase line
4	Inlet neutral line
5	Outgoing neutral line

• FEATURE

DPM074 Series

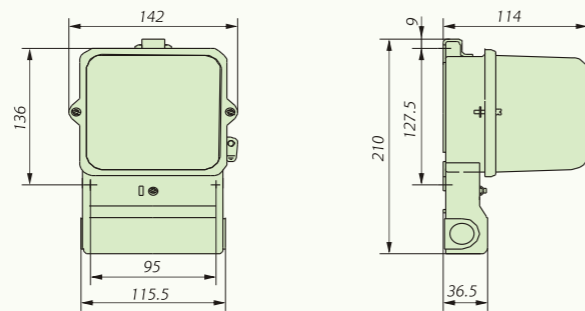


Electromechanical Single Phase

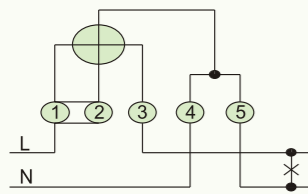
Ref.	Model	Rated Voltage(V)	Basic Current(A)	Max. Current(A)	Display Range	Case Qty.(Pcs)	Item Code
DPM074PC	DPM074PC	127	5	30	99999.9 Register	12	46307463
		230	10	40			
			20	80			
			30	100			

Note: Please mention the voltage and current when ordering, Special specifications upon request.

• DIMENSION



• WIRING DIAGRAM



Terminal	Note
1	Inlet phase line
3	Outgoing phase line
4	Inlet neutral line
5	Outgoing neutral line

• FEATURE

DPM082 Series

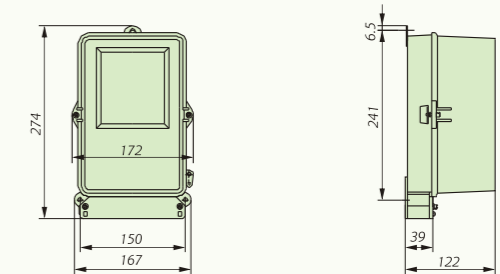


Electromechanical Three Phase Four Wire

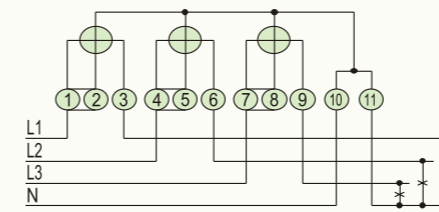
Ref.	Model	Rated Voltage(V)	Basic Current(A)	Max. Current(A)	Display Range	Case Qty.(Pcs)	Item Code
DPM082TP	DPM082TP	127/220	5	30	99999.9 Register	6	46335261
		230/400	10	40			
			20	80			
			30	100			

Note: Please mention the voltage and current when ordering, Special specifications upon request.

• DIMENSION



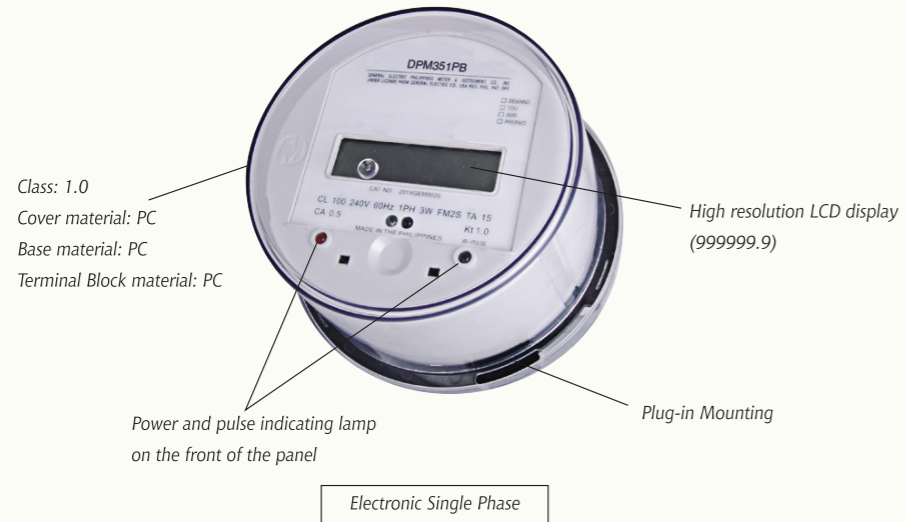
• WIRING DIAGRAM



Terminal	Note
1	L1 Inlet phase line
3	L1 Outgoing phase line
4	L2 Inlet phase line
6	L2 Outgoing phase line
7	L3 Inlet phase line
9	L3 Outgoing phase line
10	Inlet neutral line
11	Outgoing neutral line

• FEATURE

DPM351 Series



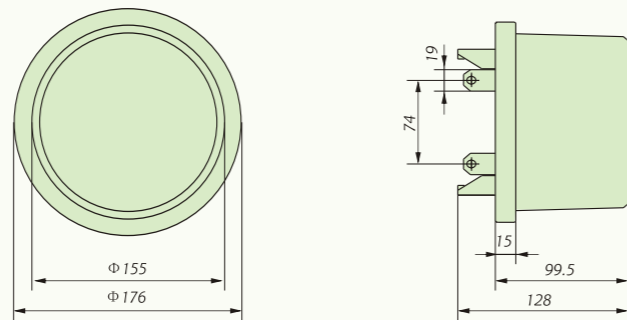
Ref.	Model	Rated Voltage(V)	Basic Current(A)	Max. Current(A)	Display Range	Case Qty.(Pcs)	Item Code
DPM351PB	DPM351PB	240	15	100	999999.9 LCD	16	46335262

Note: Please mention the voltage and current when ordering. Special specifications upon request.

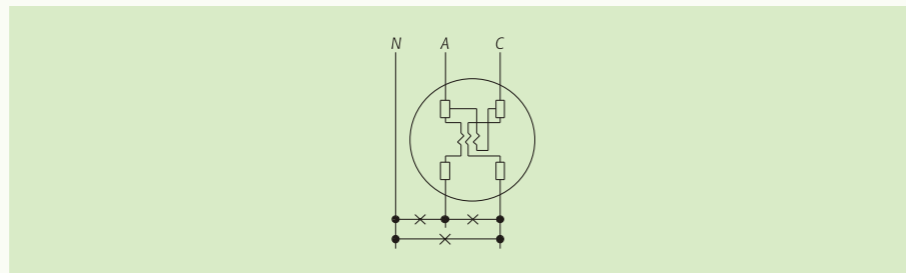
• DIMENSION



Far Infrared  
Comply DL/T645-1997

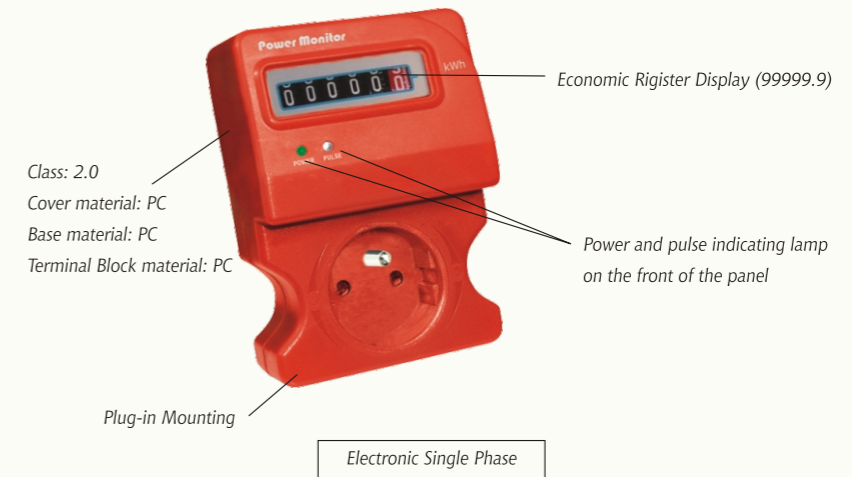


• WIRING DIAGRAM



• FEATURE

DPM352 Series



Ref.	Model	Rated Voltage(V)	Basic Current(A)	Max. Current(A)	Display Range	Case Qty.(Pcs)	Item Code
DPM352ZA	DPM352ZA	127 230	3	16	99999.9 Register	20	46335162
DPM352ZB	DPM352ZB	127 230	3	16	99999.9 Register	20	46308206

Note: Please mention the voltage and current when ordering. Special specifications upon request.

• DIMENSION

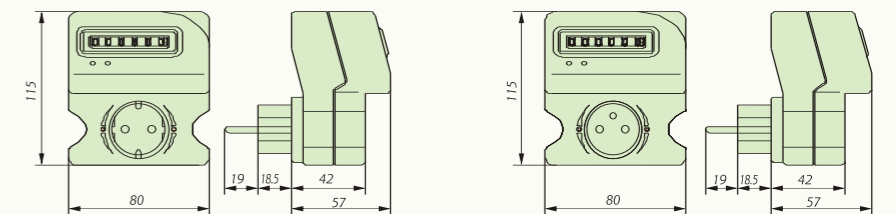


With a circular type grounding needle

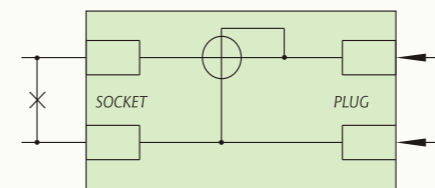
DPM352ZB



With two grounding tap



• WIRING DIAGRAM



Terminal	Note
Plug	Inlet, connect power
Socket	Outgoing, connect trend of load current