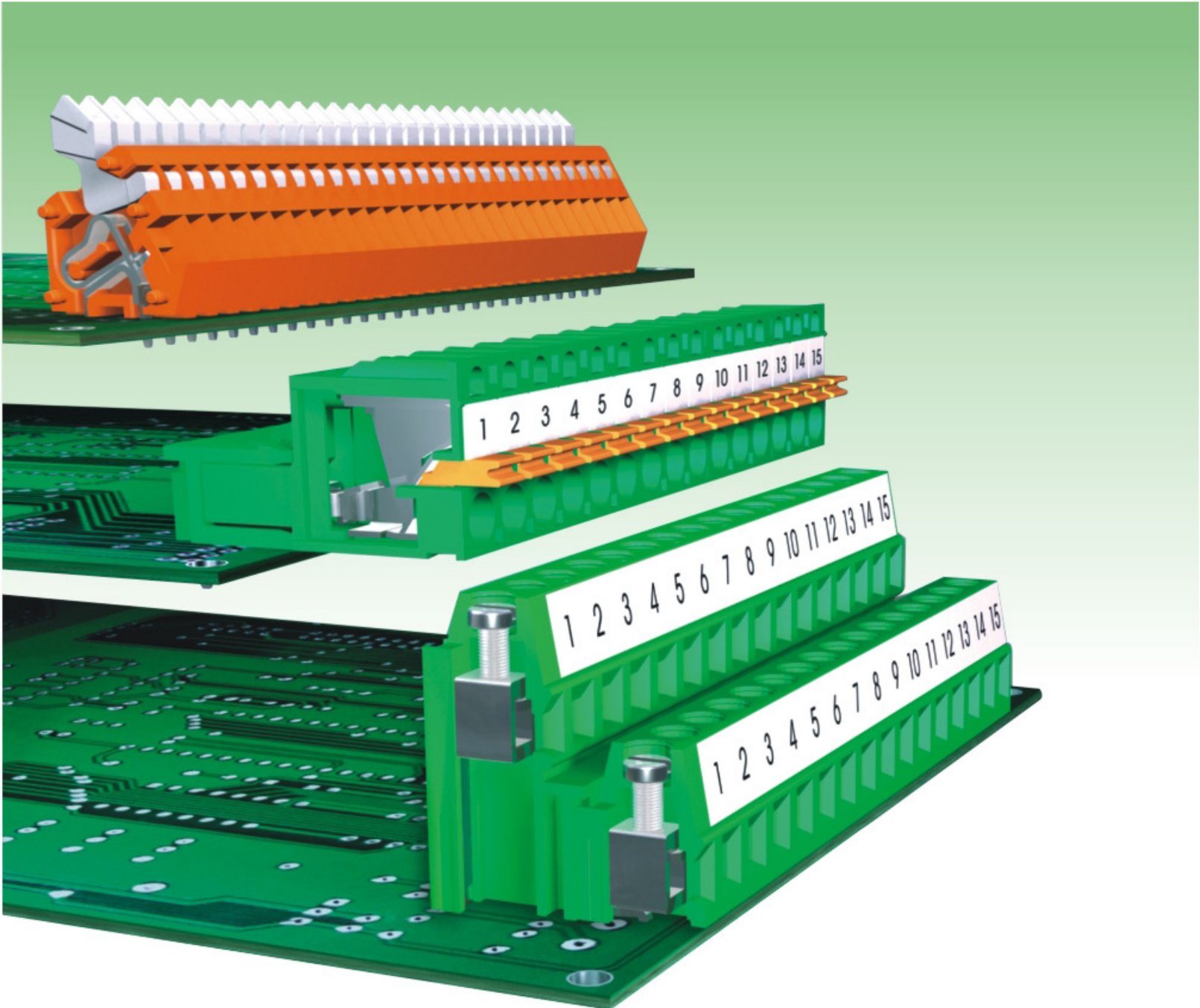




DEGSON[®]

TERMINAL BLOCK

Euro Terminal Block



寧波高正電子有限公司


DEGSON ELECTRONICS CO.,LTD.

ISO9001 ISO14001     CB SGS RoHS

ET-09-01
Edition: (T33)



公司简介

宁波高正电子有限公司创建于一九九零年，是接线端子、重载连接器、太阳能接线盒和精密模具的专业制造商。多年来，我们不断致力于产品的研发，使企业得到了快速的发展，在该领域居领先地位，成为亚洲主要的接线端子台供应商。公司通过了ISO9001、ISO14001管理体系认证，产品通过了  等认证。




在公司的发展过程中，我们先后建立了研发中心、塑料模具、冲压模具、压铸模具、五金切削、部件成型和装配成品等一系列部门，研发中心和模具中心均配备了国际先进水平的CIMS系统。在持续提升精密注塑、精密冲压、精密压铸和精密切削等工艺的同时，通过采用电脑化作业，扩充自动化生产设备，提高了产品质量，降低了成本，使产品更具竞争力。

近年来，为更好地服务于客户，我们也同样接受客户的委托生产（OEM/ODM）。并在服务于全球优秀电子厂商这一原则指导下，我们同许多世界知名企业一直保持着友好的合作关系。

为引导客户需求，使“DEGSON”品牌扬名世界，宁波高正电子有限公司全体员工将立足本职，本着“专精务实、卓越品质”的企业精神，创造更加辉煌的明天！



Brief Introduction

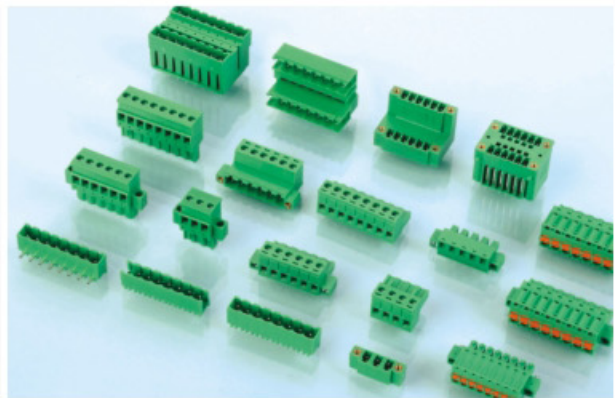
Founded in 1990, DEGSON Electronics CO.,Ltd specializes in the production of all kinds of terminal blocks, heavy duty connectors, solar connector system and precise moulds. Through aggressive research and development and the introduction of new products, We have grown into a leading manufacturer of these fields in Asia. We have been granted ISO9001, ISO14001 Management System certification and our products have been approved by   CE  SGS CB RoHS.

We have established a series of strong departments like research and development center, workshops for plastic mould, punching mould, die-casting mould, hardware cutting, components mould and orderly production lines, and so on... Which are equipped with advanced CIMS system. While developing the workmanship of precise injection, precise die-casting and precise cutting, we improve the quality of products and decrease the cost by adopting computerized work and expanding the automatic production equipment, which make our products much more competitive.

We also accept OEM/ODM orders and special designs to serve the customers better. Under the instruction of serving excellent electronics manufacturers of the globe, we keep a good business relationship with many world-famous companies.

With the spirit of precise in speciality, surefooted in business, superior in quality, all the staff of DEGSON will strive to meet the market demands and make "DEGSON" more famous all over the world!





PLUGGABLE TERMINAL BLOCKS

Plug-in terminal blocks, provide the wire size from 0.08mm² to 16mm². Available with different pitches from 2.5mm to 10.16mm. Choosing insert direction, contact direction, plug-in direction according to requests. The product is designed in accordance with IEC60998, IEC61984, UL1059, UL486E, CSA C22.2 No.158 standards.

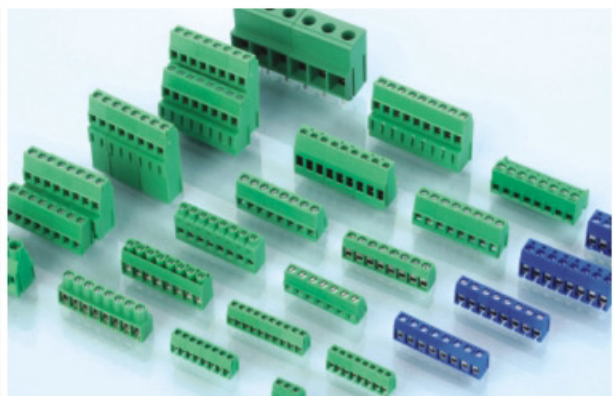


EG: HOW TO ORDER

2EDGKAM-5.08 - 0 4 P - 1 4 -

X	X	X
Customer Request		

 01-106



PCB UNIVERSAL SCREW TERMINAL BLOCKS

PCB universal screw terminal blocks, this typical feature of the screw connection system is characterized by the easy connection and extremely high contact strengths. Provide the wire size from 0.08mm² to 25mm². Available with different pitches from 2.54mm to 15.0mm, and 3 wire insertion directions : 90°, 135°, 180°. The parts can be assembled by 2 ways and 3 ways, with the design level structures from 1 level to 4. The product is designed in accordance with IEC60998, UL1059, UL486E, CSA C22.2 No.158 standards.

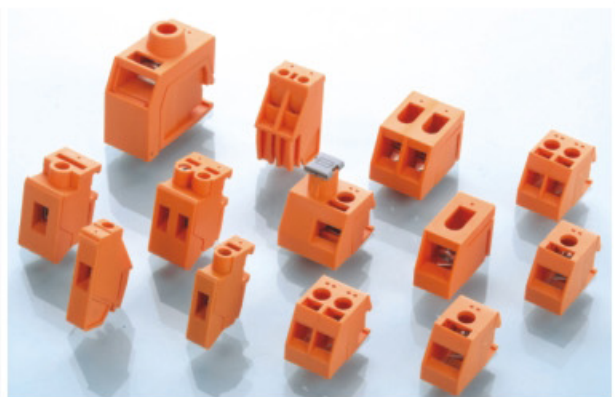


EG: HOW TO ORDER

DG128-5.0 - 0 2 P - 1 4 -

X	X	X
Customer Request		

 107-160



TRANSFORMER TERMINAL BLOCKS

Transformer terminal blocks, with structure design features of easy wire connection and reliable connection; also with snap foot allowing quick fixing to flat mounting rails 10x2mm or to snap-in devices of the winding frame. The product is designed in accordance with IEC60998, UL1059, UL486E, CSA C22.2 No.158 standards.

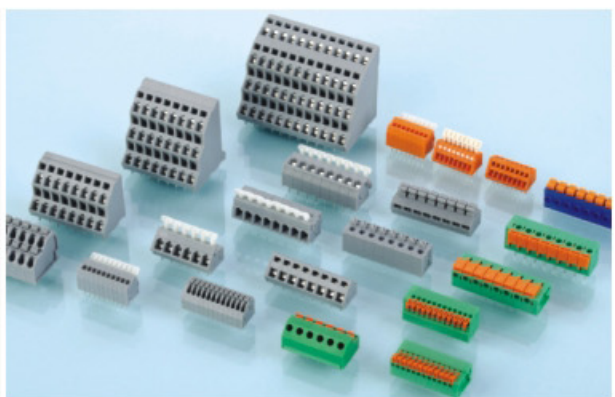


EG: HOW TO ORDER

TSCB4 - 0 2 P - 1 5 -

X	X	X
Customer Request		

 161-168



PCB SPRING TERMINAL BLOCKS

PCB Spring terminal blocks, available with two connection methods, cage clamp contact and dish clamp contact. It can be used instead of Printed Circuit universal screw terminal blocks, more flexible. The product is designed in accordance with IEC60998, UL1059, UL486E, CSA C22.2 No.158 standards.



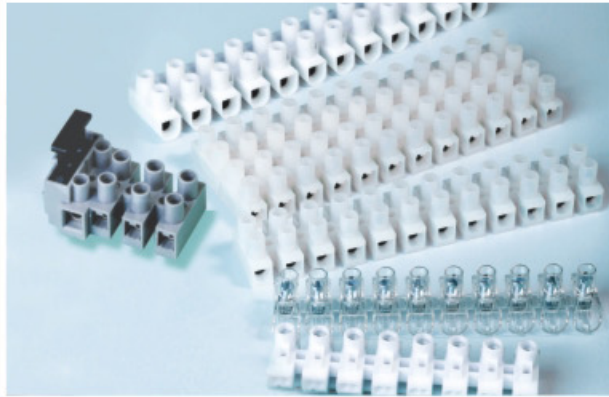
EG: HOW TO ORDER

DG141V-2.54 - 0 5 P - 1 4 -

X	X	X
Customer Request		

 169-192

CONTENTS



FEED THROUGH TERMINAL BLOCKS

Feed through terminal blocks, connecting with two conductors easily and credibility. provide the wire size from 0.5mm² to 35mm². Available with fuse and without fuse. The product is designed in accordance with IEC60998, UL1059,UL486E,CSA C22.2 No.158 standards.

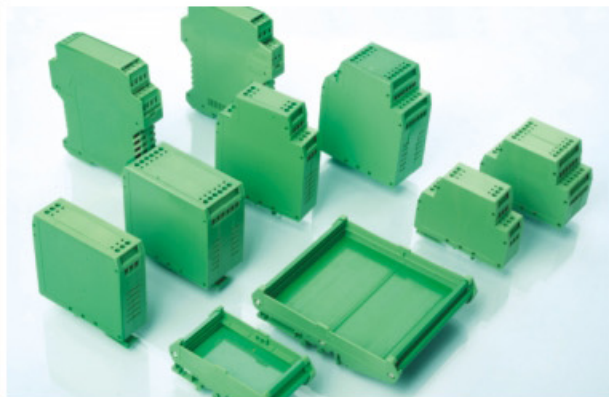


EG: HOW TO ORDER

DG10HS-1.2 - 0 4 P - 1 7 -

X	X	X
Customer Request		

 193-218



INTERFACE MODULE

Interface Module,now we have connector Module Series, Relay Module series, Miniature Relay Module series and Soled State Relay Module series.

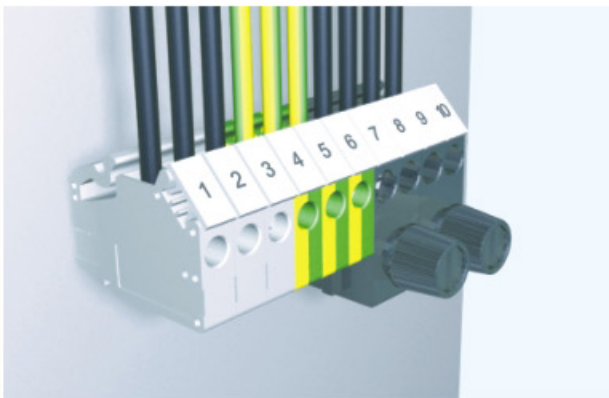


EG: HOW TO ORDER

FMET - 0 4 P - 1 4 -

X	X	X
Customer Request		

 219-240



THROUGH-WALL TERMINAL BLOCKS

Through-wall terminal blocks, the design of structure is characterized by the easy connection and extremely high contact strengths. These connectors are available in all types of wires with the size from 0.5mm² to 95mm², and designed in accordance with IEC60947, UL1059, UL486E, CSA C22.2 No.158 etc.



EG: HOW TO ORDER

DK4 - 0 1 P - 1 1 -

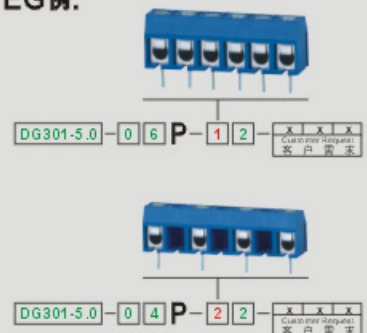
X	X	X
Customer Request		

 241-265

HOW TO ORDER

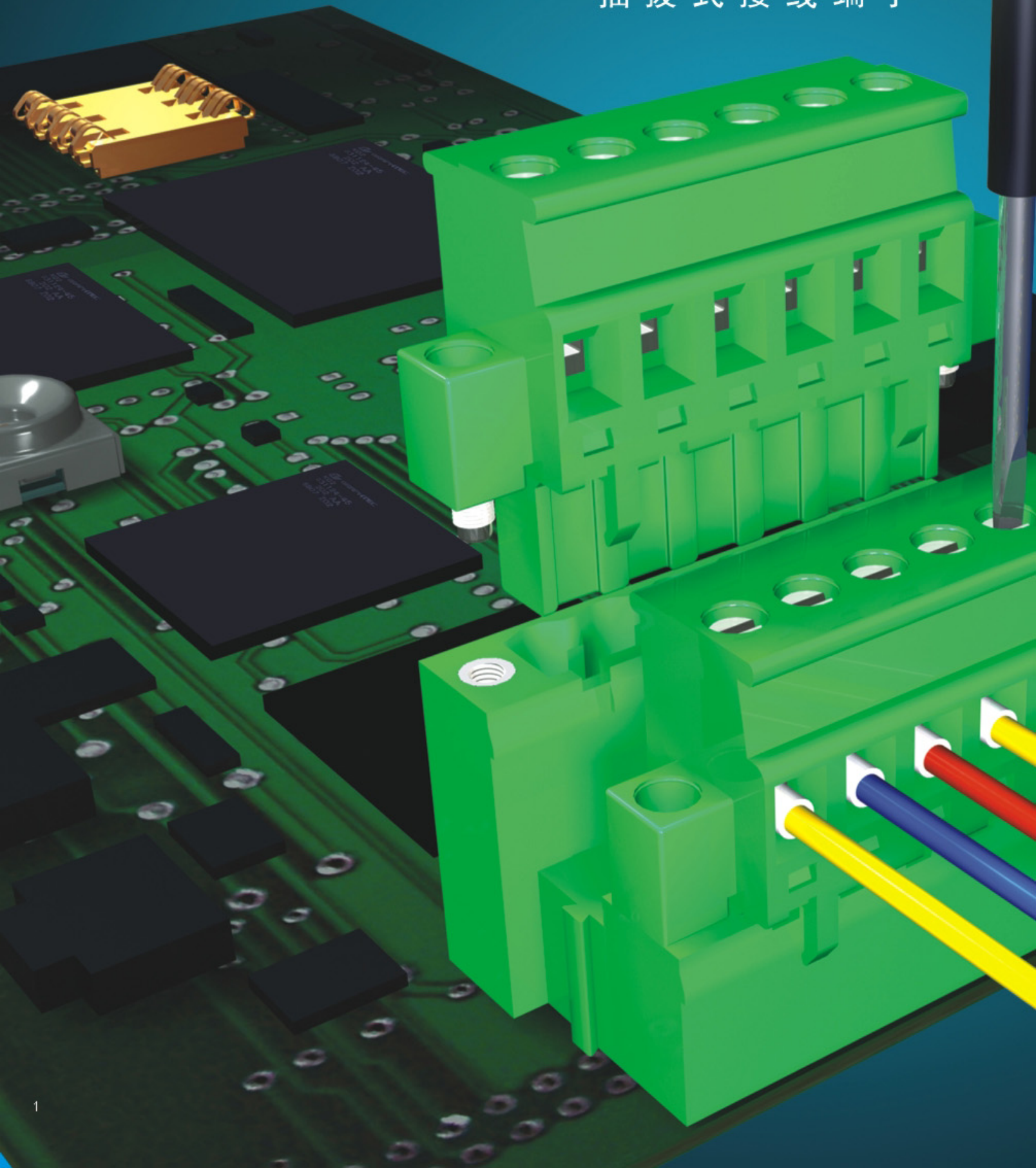


EG例:



PLUGGABLE Terminal Blocks

插拔式接线端子



Pluggable terminal blocks, The structure combines two advantages of easy maintenance (pluggable) and reliable connection (screw connecting). These connectors are available in the following pitches: 2.5mm, 3.5mm, 3.81mm, 5.0mm, 5.08mm, 7.5mm, 7.62mm, 10.0mm, 10.16mm. Its characteristics are as follows:

1. the arrangement of the individual position is always linear;
2. each position or connection can be labeled clearly and individually;
3. flexible wires may be with or without tubal terminal connector; screw terminal blocks allow two wires to connect in one position;

4. easy and reliable connection; high security of insertion; and great erode-proof;
5. the insulated cover is fastened and durable; with high degree of burn-preventing; no touching.

The plug series are available in horizontal, vertical and front wire entry to meet multiple design requirements. With steel yoke design is utilized in these series to create a reliable connection, the flexibility of simplified modifications and installation.

The socket series are available in horizontal and vertical wire entry. Each level is offset by half a position. The bi-level design provides higher utilization of space with concise layout.

The product is designed in accordance with IEC60998, UL1059, UL486E, CSA C22.2 No.158 standards and get the approval of UL, VDE, CQC, etc.

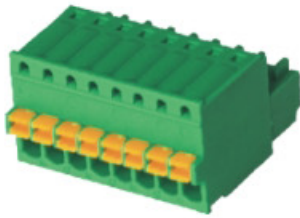
插拔式接线端子，结构结合了维护简便（可插拔）和连接可靠（螺钉连接）两大优点。间距有：2.5、3.5、3.81、5.0、5.08、7.5、7.62、10.16mm可供选择。有以下特点：

1. 各接线位呈直线形排列。
2. 标识清晰易读，各个接线位的对应关系明了易辨。
3. 柔性导线可以带或不带管状端头连接；螺钉接线端子，允许在一个接线位上连接两根导线。
4. 连接可靠方便，接线安全性高，抗腐蚀性极强。
5. 绝缘外壳牢固耐用，阻燃等级高，防手指触摸。

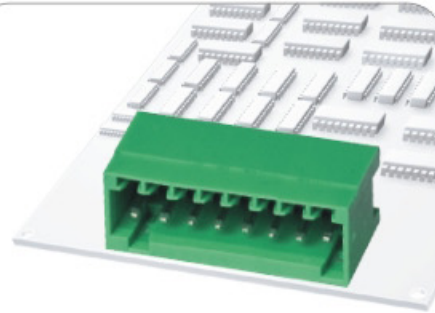
插拔式接线端子的插头部分为了因不同场合使用的需要，提供水平、垂直插头与同方向的进线插头等。采用压线框接线方式，无需维护，接触面积大、耐振动、防松脱。

插拔式接线端子的插座部分有水平型及垂直型两种方向。在垂直方向上错开半个针距。提供双层式的规格，这种接线端子完全符合布局紧凑、节省空间的设计需要。

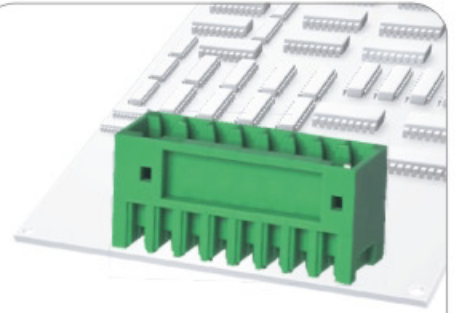
产品设计符合 IEC60998、UL1059、UL486E、CSA C22.2 No.158 等国际标准，并通过 UL、VDE、CQC 等认证。



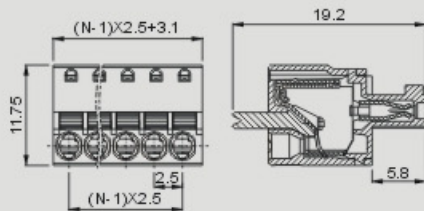
15EDGKD-2.5



15EDGRC-2.5



15EDGVC-2.5



Pitch: 2.5mm; Poles: 2P~12P

APPROVAL

※ Electrical		
Standard	: UL	IEC
Rated voltage	: 125V	130V
Rated current	: 4 A	10A
Wire range	: 28-20AWG	0.5mm ²
Withstanding voltage	: AC1250V/1Min	

※ **Mechanical**

Ambient temperature: -40°C~+105°C
Strip length: 8mm

※ **Dimensions**

Pitch: 2.5mm(.098")
Poles: 2P~12P

※ **Material**

Housing: PA66,UL94V-0
Contact: Phosphor bronze
Wire guard: Stainless steel

※ **电气性能**

参考标准:	UL	IEC
额定电压:	125V	130V
额定电流:	4A	10A
导线线径:	28-20AWG	0.5mm ²
耐电压:	AC1250V/1Min	

※ **机械性能**

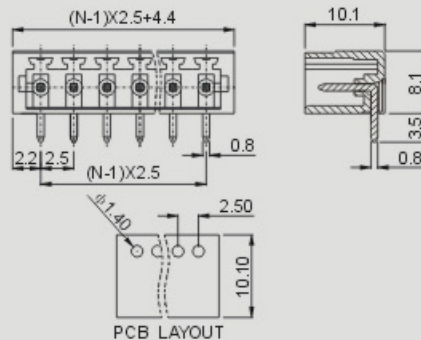
环境温度: -40°C~+105°C
剥线长度: 8mm

※ **尺寸**

间距: 2.5mm(.098")
极数: 2P~12P

※ **材质和电镀**

塑件: PA66,UL94V-0
触点材料: 磷青铜
簧片: 不锈钢



Pitch: 2.5mm; Poles: 2P~12P

APPROVAL

※ Electrical		
Standard	: UL	IEC
Rated voltage	: 125V	130V
Rated current	: 4 A	10A
Withstanding voltage	: AC1250V/1Min	

※ **Mechanical**

Ambient temperature: -40°C~+105°C

※ **Dimensions**

Pitch: 2.5mm(.098")
Poles: 2P~12P

※ **Material**

Housing: PA66,UL94V-0
Pin header: Brass,Tin plated

※ **电气性能**

参考标准:	UL	IEC
额定电压:	125V	130V
额定电流:	4A	10A
耐电压:	AC1250V/1Min	

※ **机械性能**

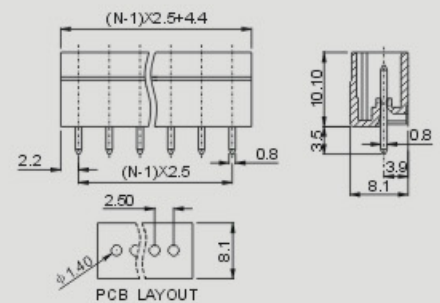
环境温度: -40°C~+105°C

※ **尺寸**

间距: 2.5mm(.098")
极数: 2P~12P

※ **材质和电镀**

塑件: PA66,UL94V-0
焊针: 黄铜,镀锡



Pitch: 2.5mm; Poles: 2P~12P

APPROVAL

※ Electrical		
Standard	: UL	IEC
Rated voltage	: 125V	130V
Rated current	: 4 A	10A
Withstanding voltage	: AC1250V/1Min	

※ **Mechanical**

Ambient temperature: -40°C~+105°C

※ **Dimensions**

Pitch: 2.5mm(.098")
Poles: 2P~12P

※ **Material**

Housing: PA66,UL94V-0
Pin header: Brass,Tin plated

※ **电气性能**

参考标准:	UL	IEC
额定电压:	125V	130V
额定电流:	4A	10A
耐电压:	AC1250V/1Min	

※ **机械性能**

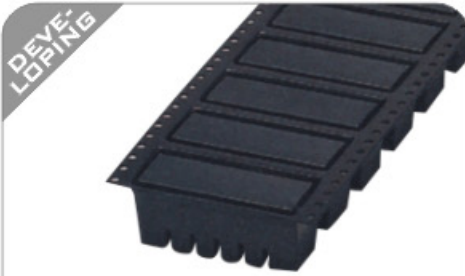
环境温度: -40°C~+105°C

※ **尺寸**

间距: 2.5mm(.098")
极数: 2P~12P

※ **材质和电镀**

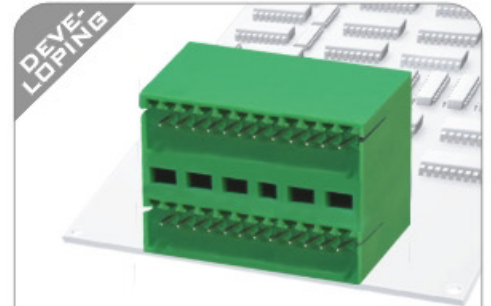
塑件: PA66,UL94V-0
焊针: 黄铜,镀锡



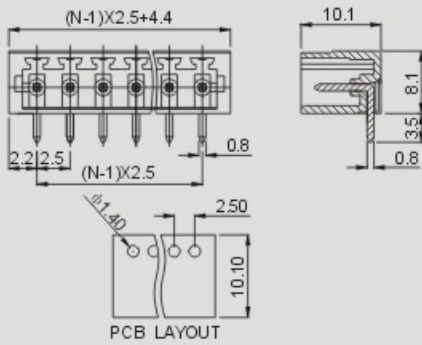
15EDGRC-THT-2.5



15EDGVC-THT-2.5



15EDGRH-2.5



Pitch: 2.5mm; Poles: 2P~12P

APPROVAL :
 ※**Electrical**
 Standard : UL IEC
 Rated voltage : 125V 130V
 Rated current : 4A 10A
 Withstanding voltage : AC1250V/1Min

※**Mechanical**
 Ambient temperature : -40°C~+140°C

※**Dimensions**
 Pitch : 2.5mm(.098")
 Poles : 2P~12P

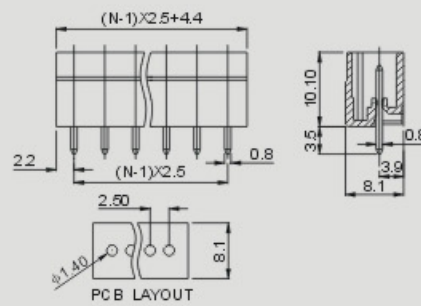
※**Material**
 Housing : PA46,UL94V-0
 Pin header : Brass,Tin plated

※**电气性能**
 参考标准: UL IEC
 额定电压: 125V 130V
 额定电流: 4A 10A
 耐电压: AC1250V/1Min

※**机械性能**
 环境温度: -40°C~+140°C

※**尺寸**
 间距: 2.5mm(.098")
 极数: 2P~12P

※**材质和电镀**
 塑件: PA46,UL94V-0
 焊针: 黄铜,镀锡



Pitch: 2.5mm; Poles: 2P~12P

APPROVAL :
 ※**Electrical**
 Standard : UL IEC
 Rated voltage : 125V 130V
 Rated current : 4A 10A
 Withstanding voltage : AC1250V/1Min

※**Mechanical**
 Ambient temperature : -40°C~+140°C

※**Dimensions**
 Pitch : 2.5mm(.098")
 Poles : 2P~12P

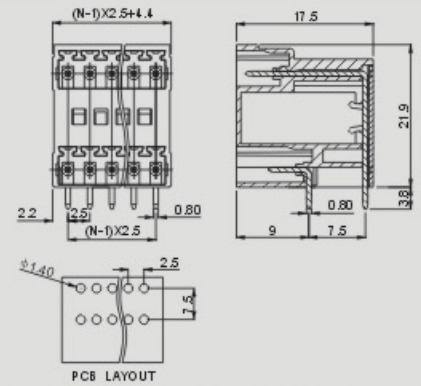
※**Material**
 Housing : PA46,UL94V-0
 Pin header : Brass,Tin plated

※**电气性能**
 参考标准: UL IEC
 额定电压: 125V 130V
 额定电流: 4A 10A
 耐电压: AC1250V/1Min

※**机械性能**
 环境温度: -40°C~+140°C

※**尺寸**
 间距: 2.5mm(.098")
 极数: 2P~12P

※**材质和电镀**
 塑件: PA46,UL94V-0
 焊针: 黄铜,镀锡



Pitch: 2.5mm; Poles: 2*(2P~12P)

APPROVAL :
 ※**Electrical**
 Standard : UL IEC
 Rated voltage : 125V 130V
 Rated current : 4A 10A
 Withstanding voltage : AC1250V/1Min

※**Mechanical**
 Ambient temperature : -40°C~+105°C

※**Dimensions**
 Pitch : 2.5mm(.098")
 Poles : 2*(2P~12P)

※**Material**
 Housing : PA66,UL94V-0
 Pin header : Brass,Tin plated

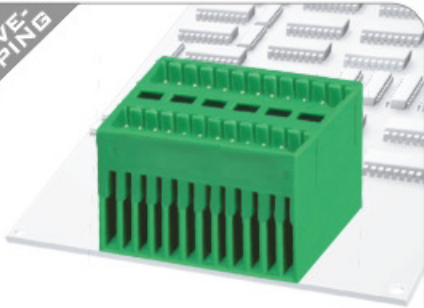
※**电气性能**
 参考标准: UL IEC
 额定电压: 125V 130V
 额定电流: 4A 10A
 耐电压: AC1250V/1Min

※**机械性能**
 环境温度: -40°C~+105°C

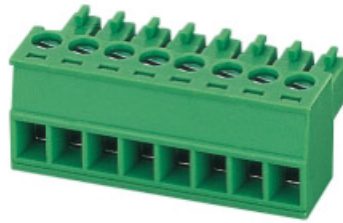
※**尺寸**
 间距: 2.5mm(.098")
 极数: 2*(2P~12P)

※**材质和电镀**
 塑件: PA66,UL94V-0
 焊针: 黄铜,镀锡

DEVE-
LOPING



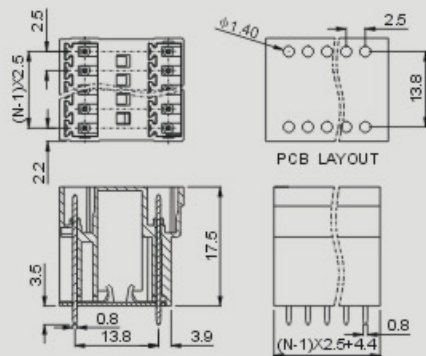
15EDGVH-2.5



**15EDGK-3.5
15EDGK-3.81**



**15EDGKM-3.5
15EDGKM-3.81**



Pitch: 2.5mm; Poles: 2*(2P~12P)

APPROVAL	:	
※ Electrical	:	
Standard	:	UL IEC
Rated voltage	:	125V 130V
Rated current	:	4A 10A
Withstanding voltage	:	AC1250V/1Min

※ **Mechanical**
Ambient temperature: -40°C ~ +105°C

※ **Dimensions**
Pitch : 2.5mm(.098")
Poles : 2*(2P~12P)

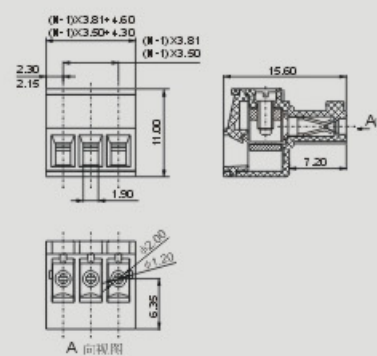
※ **Material**
Housing : PA66,UL94V-0
Pin header : Brass,Tin plated

※ **电气性能**
参考标准: UL IEC
额定电压: 125V 130V
额定电流: 4A 10A
耐电压: AC1250V/1Min



※ **机械性能**
环境温度: -40°C ~ +105°C

※ **尺寸**
间距: 2.5mm(.098")
极数: 2*(2P~12P)

※ **材质和电镀**
塑件: PA66,UL94V-0
焊针: 黄铜,镀锡



Pitch: 3.5,3.81 mm; Poles: 2P~24P

APPROVAL	:		
※ Electrical	:		
Standard	:	UL	IEC
Rated voltage	:	300V	250V
Rated current	:	8A	7A
Wire range	:	28-16AWG 0.5-1.5mm ²	
Withstanding voltage	:	AC2000V/1Min	

※ **Mechanical**
Torque : 0.2Nm(1.7Lb-In.)
Ambient temperature : -40°C ~ +105°C
Strip length : 7mm

※ **Dimensions**
Pitch : 3.5mm(.138") 3.81mm(.150")
Poles : 2P~24P

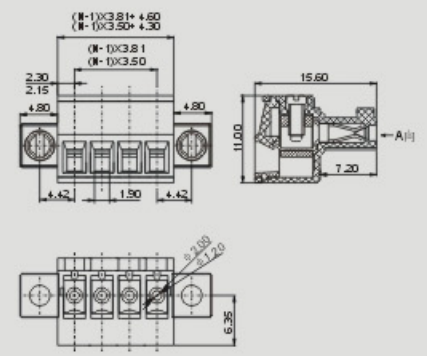
※ **Material**
Housing : PA66,UL94V-0
Screws : M2,steel,Cr⁺Zn plated
Contact : Phosphor bronze
Cage : Brass,Ni plated

※ **电气性能**
参考标准: UL IEC
额定电压: 300V 250V
额定电流: 8A 7A
导线线径: 28-16AWG 0.5-1.5mm²
耐电压: AC2000V/1Min



※ **机械性能**
扭力矩: 0.2Nm(1.7Lb-In.)
环境温度: -40°C ~ +105°C
剥线长度: 7mm

※ **尺寸**
间距: 3.5mm(.138") 3.81mm(.150")
极数: 2P~24P

※ **材质和电镀**
塑件: PA66,UL94V-0
螺丝: M2,钢,镀Cr⁺钝化彩锌
触点材料: 磷青铜
方盒: 黄铜,镀镍



Pitch: 3.5,3.81 mm; Poles: 2P~20P

APPROVAL	:		
※ Electrical	:		
Standard	:	UL	IEC
Rated voltage	:	300V	250V
Rated current	:	8A	7A
Wire range	:	28-16AWG 0.5-1.5mm ²	
Withstanding voltage	:	AC2000V/1Min	

※ **Mechanical**
Torque : 0.2Nm(1.7Lb-In.)
Ambient temperature : -40°C ~ +105°C
Strip length : 7mm

※ **Dimensions**
Pitch : 3.5mm(.138") 3.81mm(.150")
Poles : 2P~20P

※ **Material**
Housing : PA66,UL94V-0
Screws : M2,steel,Cr⁺Zn plated
Contact : Phosphor bronze
Cage : Brass,Ni plated

※ **电气性能**
参考标准: UL IEC
额定电压: 300V 250V
额定电流: 8A 7A
导线线径: 28-16AWG 0.5-1.5mm²
耐电压: AC2000V/1Min

※ **机械性能**
扭力矩: 0.2Nm(1.7Lb-In.)
环境温度: -40°C ~ +105°C
剥线长度: 7mm

※ **尺寸**
间距: 3.5mm(.138") 3.81mm(.150")
极数: 2P~20P

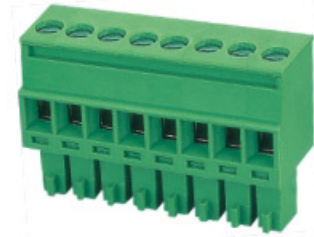
※ **材质和电镀**
塑件: PA66,UL94V-0
螺丝: M2,钢,镀Cr⁺钝化彩锌
触点材料: 磷青铜
方盒: 黄铜,镀镍



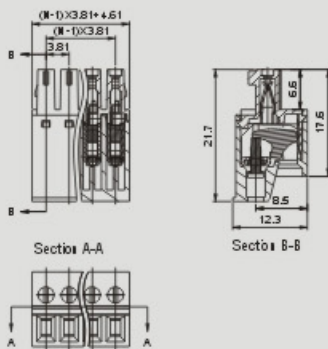
15EDGKC-3.81




15EDGKCM-3.81



**15EDGKA-3.5
15EDGKA-3.81**



Pitch: 3.81mm; Poles: 2P~24P

APPROVAL : In the course of application 

※ **Electrical**

Standard	: UL	IEC
Rated voltage	: 300V	250V
Rated current	: 8A	7A
Wire range	: 28-16AWG	0.5-1.5mm ²
Withstanding voltage	: AC2000V/1Min	

※ **Mechanical**

Torque	: 0.2Nm(1.7Lb-In.)
Ambient temperature	: -40°C~+105°C
Strip length	: 9mm

※ **Dimensions**

Pitch	: 3.81mm(.150")
Poles	: 2P~24P

※ **Material**

Housing	: PA66,UL94V-0
Screws	: M2,steel,Cr ⁺ Zn plated
Contact	: Phosphor bronze
Cage	: Steel,Cr ⁺ Zn plated

※ 电气性能

参考标准	: UL	IEC
额定电压	: 300V	250V
额定电流	: 8A	7A
导线线径	: 28-16AWG	0.5-1.5mm ²
耐电压	: AC2000V/1Min	

※ 机械性能

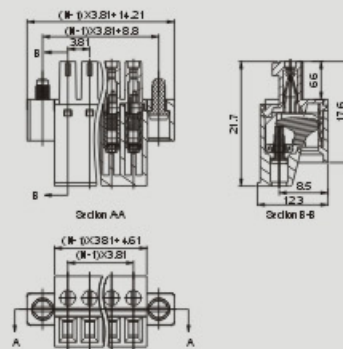
扭力矩	: 0.2Nm(1.7Lb-In.)
环境温度	: -40°C~+105°C
剥线长度	: 9mm

※ 尺寸


间距	: 3.81mm(.150")
极数	: 2P~24P

※ 材质和电镀

塑件	: PA66,UL94V-0
螺丝	: M2,铜,镀Cr ⁺ 钝化彩锌
触点材料	: 磷青铜
方盒	: 铁方块,镀Cr ⁺ 钝化彩锌



Pitch: 3.81mm; Poles: 2P~20P

APPROVAL : In the course of application 

※ **Electrical**

Standard	: UL	IEC
Rated voltage	: 300V	250V
Rated current	: 8A	7A
Wire range	: 28-16AWG	0.5-1.5mm ²
Withstanding voltage	: AC2000V/1Min	

※ **Mechanical**

Torque	: 0.2Nm(1.7Lb-In.)
Ambient temperature	: -40°C~+105°C
Strip length	: 9mm

※ **Dimensions**

Pitch	: 3.81mm(.150")
Poles	: 2P~20P

※ **Material**

Housing	: PA66,UL94V-0
Screws	: M2,steel,Cr ⁺ Zn plated
Contact	: Phosphor bronze
Cage	: Steel,Cr ⁺ Zn plated

※ 电气性能

参考标准	: UL	IEC
额定电压	: 300V	250V
额定电流	: 8A	7A
导线线径	: 28-16AWG	0.5-1.5mm ²
耐电压	: AC2000V/1Min	

※ 机械性能

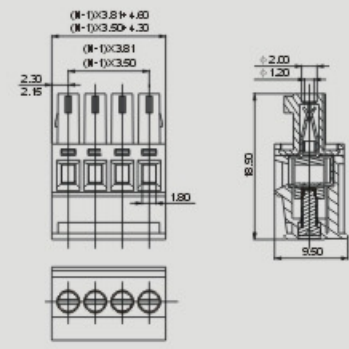
扭力矩	: 0.2Nm(1.7Lb-In.)
环境温度	: -40°C~+105°C
剥线长度	: 9mm

※ 尺寸



间距	: 3.81mm(.150")
极数	: 2P~20P

※ 材质和电镀

塑件	: PA66,UL94V-0
螺丝	: M2,铜,镀Cr ⁺ 钝化彩锌
触点材料	: 磷青铜
方盒	: 铁方块,镀Cr ⁺ 钝化彩锌



Pitch: 3.5,3.81mm; Poles: 2P~24P

APPROVAL :  

※ **Electrical**

Standard	: UL	IEC
Rated voltage	: 300V	250V
Rated current	: 8A	7A
Wire range	: 28-16AWG	0.5-1.5mm ²
Withstanding voltage	: AC2000V/1Min	

※ **Mechanical**

Torque	: 0.2Nm(1.7Lb-In.)
Ambient temperature	: -30°C~+120°C
Strip length	: 7mm

※ **Dimensions**

Pitch	: 3.5mm(.138") 3.81mm(.150")
Poles	: 2P~24P

※ **Material**

Housing	: PBT,UL94V-0
Screws	: M2,steel,Cr ⁺ Zn plated
Contact	: Phosphor bronze
Cage	: Brass,Ni plated

※ 电气性能

参考标准	: UL	IEC
额定电压	: 300V	250V
额定电流	: 8A	7A
导线线径	: 28-16AWG	0.5-1.5mm ²
耐电压	: AC2000V/1Min	

※ 机械性能

扭力矩	: 0.2Nm(1.7Lb-In.)
环境温度	: -30°C~+120°C
剥线长度	: 7mm

※ 尺寸

间距	: 3.5mm(.138") 3.81mm(.150")
极数	: 2P~24P

※ 材质和电镀

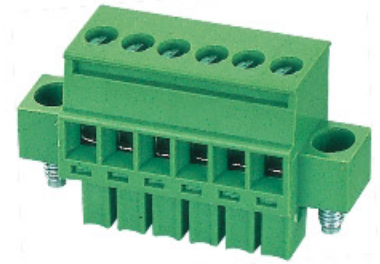
塑件	: PBT,UL94V-0
螺丝	: M2,铜,镀Cr ⁺ 钝化彩锌
触点材料	: 磷青铜
方盒	: 黄铜,镀镍



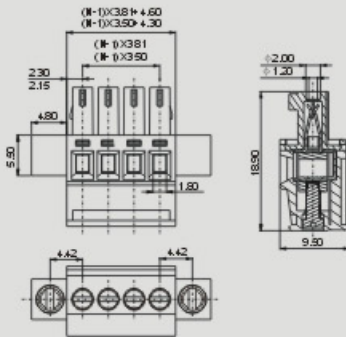
15EDGKAM-3.5
15EDGKAM-3.81





15EDGKB-3.5
15EDGKB-3.81



15EDGKBM-3.5
15EDGKBM-3.81



Pitch: 3.5, 3.81mm; Poles: 2P~20P

APPROVAL :  
※Electrical
 Standard : UL IEC
 Rated voltage : 300V 250V
 Rated current : 8A 7A
 Wire range : 28-16AWG 0.5-1.5mm²
 Withstanding voltage : AC2000V/1Min

※Mechanical
 Torque : 0.2Nm (1.7Lb-In.)
 Ambient temperature : -30°C~+120°C
 Strip length : 7mm

※Dimensions
 Pitch : 3.5mm (.138") 3.81mm (.150")
 Poles : 2P~20P

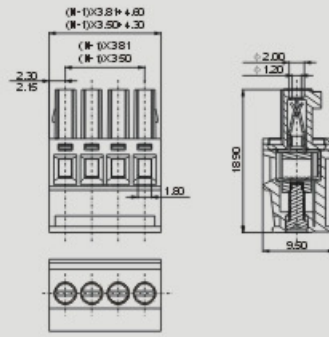
※Material
 Housing : PBT, UL94V-0
 Screws : M2, steel, Cr⁺Zn plated
 Contact : Phosphor bronze
 Cage : Brass, Ni plated

※电气性能
 参考标准: UL IEC
 额定电压: 300V 250V
 额定电流: 8A 7A
 导线线径: 28-16AWG 0.5-1.5mm²
 耐电压: AC2000V/1Min



※机械性能
 扭力矩: 0.2Nm (1.7Lb-In.)
 环境温度: -30°C~+120°C
 剥线长度: 7mm

※尺寸
 间距: 3.5mm (.138") 3.81mm (.150")
 极数: 2P~20P

※材质和电镀
 塑件: PBT, UL94V-0
 螺丝: M2, 钢, 镀Cr⁺钝化彩锌
 触点材料: 磷青铜
 方盒: 黄铜, 镀镍



Pitch: 3.5, 3.81mm; Poles: 2P~24P

APPROVAL :  
※Electrical
 Standard : UL IEC
 Rated voltage : 300V 250V
 Rated current : 8A 7A
 Wire range : 28-16AWG 0.5-1.5mm²
 Withstanding voltage : AC2000V/1Min

※Mechanical
 Torque : 0.2Nm (1.7Lb-In.)
 Ambient temperature : -30°C~+120°C
 Strip length : 7mm

※Dimensions
 Pitch : 3.5mm (.138") 3.81mm (.150")
 Poles : 2P~24P

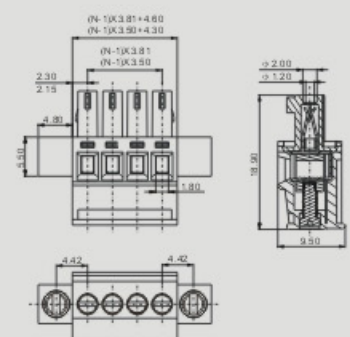
※Material
 Housing : PBT, UL94V-0
 Screws : M2, steel, Cr⁺Zn plated
 Contact : Phosphor bronze
 Cage : Brass, Ni plated

※电气性能
 参考标准: UL IEC
 额定电压: 300V 250V
 额定电流: 8A 7A
 导线线径: 28-16AWG 0.5-1.5mm²
 耐电压: AC2000V/1Min



※机械性能
 扭力矩: 0.2Nm (1.7Lb-In.)
 环境温度: -30°C~+120°C
 剥线长度: 7mm

※尺寸
 间距: 3.5mm (.138") 3.81mm (.150")
 极数: 2P~24P

※材质和电镀
 塑件: PBT, UL94V-0
 螺丝: M2, 钢, 镀Cr⁺钝化彩锌
 触点材料: 磷青铜
 方盒: 黄铜, 镀镍



Pitch: 3.5, 3.81mm; Poles: 2P~20P

APPROVAL :  
※Electrical
 Standard : UL IEC
 Rated voltage : 300V 250V
 Rated current : 8A 7A
 Wire range : 28-16AWG 0.5-1.5mm²
 Withstanding voltage : AC2000V/1Min

※Mechanical
 Torque : 0.2Nm (1.7Lb-In.)
 Ambient temperature : -30°C~+120°C
 Strip length : 7mm

※Dimensions
 Pitch : 3.5mm (.138") 3.81mm (.150")
 Poles : 2P~20P

※Material
 Housing : PBT, UL94V-0
 Screws : M2, steel, Cr⁺Zn plated
 Contact : Phosphor bronze
 Cage : Brass, Ni plated

※电气性能
 参考标准: UL IEC
 额定电压: 300V 250V
 额定电流: 8A 7A
 导线线径: 28-16AWG 0.5-1.5mm²
 耐电压: AC2000V/1Min

※机械性能
 扭力矩: 0.2Nm (1.7Lb-In.)
 环境温度: -30°C~+120°C
 剥线长度: 7mm

※尺寸
 间距: 3.5mm (.138") 3.81mm (.150")
 极数: 2P~20P

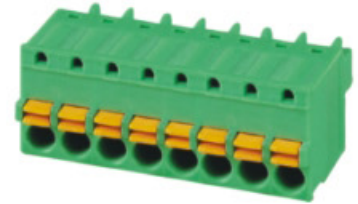
※材质和电镀
 塑件: PBT, UL94V-0
 螺丝: M2, 钢, 镀Cr⁺钝化彩锌
 触点材料: 磷青铜
 方盒: 黄铜, 镀镍



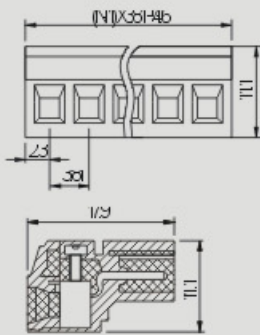
15EDGKR-3.81



15EDGKRP-3.81



**15EDGKD-3.5
15EDGKD-3.81**



Pitch: 3.81 mm; Poles: 2P~24P

APPROVAL

※ Electrical		
Standard	UL	IEC
Rated voltage	300V	250V
Rated current	8A	7A
Wire range	28-16AWG 0.5-1.5mm ²	
Withstanding voltage	AC2000V/1Min	

※ **Mechanical**

Torque	: 0.2Nm(1.7Lb-In.)
Ambient temperature	: -40°C~+105°C
Strip length	: 7mm

※ **Dimensions**

Pitch	: 3.81mm(.150")
Poles	: 2P~24P

※ **Material**

Housing	: PA66,UL94V-0
Screws	: M2,steel,Cr ⁺ Znplated
Contact	: Copper
Cage	: Brass,Ni plated

※ **电气性能**

参考标准:	UL	IEC
额定电压:	300V	250V
额定电流:	8A	7A
导线线径:	28-16AWG 0.5-1.5mm ²	
耐电压:	AC2000V/1Min	

※ **机械性能**

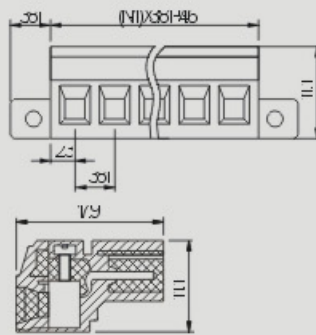
扭力矩:	0.2Nm(1.7Lb-In.)
环境温度:	-40°C~+105°C
剥线长度:	7mm

※ **尺寸**

间距:	3.81mm(.150")
极数:	2P~24P

※ **材质和电镀**

塑件:	PA66,UL94V-0
螺丝:	M2,铜,镀Cr ⁺ 钝化彩锌
触点材料:	紫铜
方盒:	黄铜,镀镍



Pitch: 3.81 mm; Poles: 2P~20P

APPROVAL

※ Electrical		
Standard	UL	IEC
Rated voltage	300V	250V
Rated current	8A	7A
Wire range	28-16AWG 0.5-1.5mm ²	
Withstanding voltage	AC2000V/1Min	

※ **Mechanical**

Torque	: 0.2Nm(1.7Lb-In.)
Ambient temperature	: -40°C~+105°C
Strip length	: 7mm

※ **Dimensions**

Pitch	: 3.81mm(.150")
Poles	: 2P~20P

※ **Material**

Housing	: PA66,UL94V-0
Screws	: M2,steel,Cr ⁺ Znplated
Contact	: Copper
Cage	: Brass,Ni plated

※ **电气性能**

参考标准:	UL	IEC
额定电压:	300V	250V
额定电流:	8A	7A
导线线径:	28-16AWG 0.5-1.5mm ²	
耐电压:	AC2000V/1Min	

※ **机械性能**

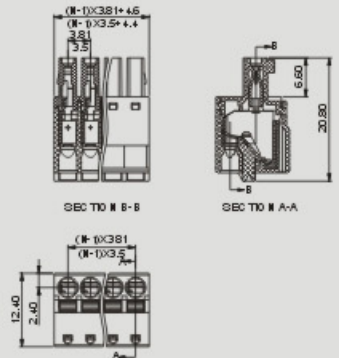
扭力矩:	0.2Nm(1.7Lb-In.)
环境温度:	-40°C~+105°C
剥线长度:	7mm

※ **尺寸**

间距:	3.81mm(.150")
极数:	2P~20P

※ **材质和电镀**

塑件:	PA66,UL94V-0
螺丝:	M2,铜,镀Cr ⁺ 钝化彩锌
触点材料:	紫铜
方盒:	黄铜,镀镍



Pitch: 3.5,3.81 mm; Poles: 2P~24P

APPROVAL

※ Electrical		
Standard	UL	IEC
Rated voltage	300V	250V
Rated current	8A	7A
Wire range	28-16AWG 0.5-1.5mm ²	
Withstanding voltage	AC2000V/1Min	

※ **Mechanical**

Ambient temperature	: -40°C~+105°C
Strip length	: 9mm

※ **Dimensions**

Pitch	: 3.5mm(.138") 3.81mm(.150")
Poles	: 2P~24P

※ **Material**

Housing	: PA66,UL94V-0
Contact	: Phosphor bronze
Wire guard	: Stainless steel

※ **电气性能**

参考标准:	UL	IEC
额定电压:	300V	250V
额定电流:	8A	7A
导线线径:	28-16AWG 0.5-1.5mm ²	
耐电压:	AC2000V/1Min	

※ **机械性能**

环境温度:	-40°C~+105°C
剥线长度:	9mm

※ **尺寸**

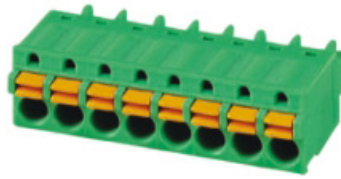
间距:	3.5mm(.138") 3.81mm(.150")
极数:	2P~24P

※ **材质和电镀**

塑件:	PA66,UL94V-0
触点材料:	磷青铜
簧片:	不锈钢

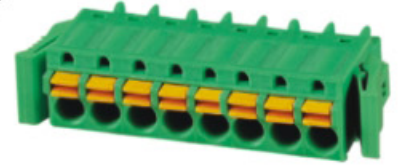


15EDGKDM-3.5
15EDGKDM-3.81

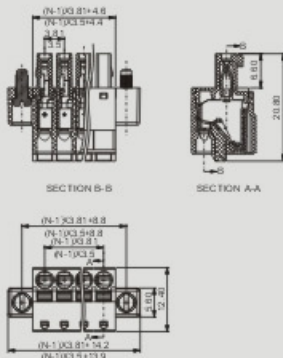


15EDGKN-3.5


DEVE-
LOPING



15EDGKNG-3.5



Pitch: 3.5, 3.81mm; Poles: 2P~20P

APPROVAL : 
※Electrical
 Standard : UL IEC
 Rated voltage : 300V 250V
 Rated current : 8A 7A
 Wire range : 28-16AWG 0.5-1.5mm²
 Withstanding voltage : AC2000V/1Min

※Mechanical
 Ambient temperature : -40°C~+105°C
 Strip length : 9 mm

※Dimensions
 Pitch : 3.5mm(.138") 3.81mm(.150")
 Poles : 2P~20P

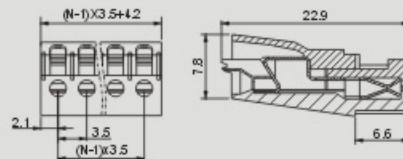
※Material
 Housing : PA66, UL94V-0
 Contact : Phosphor bronze
 Wire guard : Stainless steel

※电气性能
 参考标准: UL IEC
 额定电压: 300V 250V
 额定电流: 8A 7A
 导线线径: 28-16AWG 0.5-1.5mm²
 耐电压: AC2000V/1Min

※机械性能
 环境温度: -40°C~+105°C
 剥线长度: 9mm

※尺寸
 间距: 3.5mm(.138") 3.81mm(.150")
 极数: 2P~20P

※材质和电镀
 塑件: PA66, UL94V-0
 触点材料: 磷青铜
 簧片: 不锈钢



Pitch: 3.5mm; Poles: 2P~24P

APPROVAL :
※Electrical
 Standard : UL IEC
 Rated voltage : 300V 250V
 Rated current : 8A 7A
 Wire range : 28-16AWG 0.5-1.5mm²
 Withstanding voltage : AC2000V/1Min

※Mechanical
 Ambient temperature : -40°C~+105°C
 Strip length : 10 mm

※Dimensions
 Pitch : 3.5mm(.138")
 Poles : 2P~24P

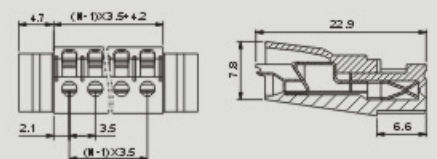
※Material
 Housing : PA66, UL94V-0
 Contact : Phosphor bronze
 Wire guard : Stainless steel

※电气性能
 参考标准: UL IEC
 额定电压: 300V 250V
 额定电流: 8A 7A
 导线线径: 28-16AWG 0.5-1.5mm²
 耐电压: AC2000V/1Min

※机械性能
 环境温度: -40°C~+105°C
 剥线长度: 10mm

※尺寸
 间距: 3.5mm(.138")
 极数: 2P~24P

※材质和电镀
 塑件: PA66, UL94V-0
 触点材料: 磷青铜
 簧片: 不锈钢



Pitch: 3.5mm; Poles: 2P~24P

APPROVAL :
※Electrical
 Standard : UL IEC
 Rated voltage : 300V 250V
 Rated current : 8A 7A
 Wire range : 28-16AWG 0.5-1.5mm²
 Withstanding voltage : AC2000V/1Min

※Mechanical
 Ambient temperature : -40°C~+105°C
 Strip length : 10 mm

※Dimensions
 Pitch : 3.5mm(.138")
 Poles : 2P~24P

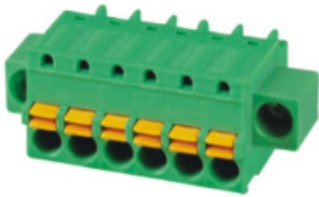
※Material
 Housing : PA66, UL94V-0
 Contact : Phosphor bronze
 Wire guard : Stainless steel

※电气性能
 参考标准: UL IEC
 额定电压: 300V 250V
 额定电流: 8A 7A
 导线线径: 28-16AWG 0.5-1.5mm²
 耐电压: AC2000V/1Min

※机械性能
 环境温度: -40°C~+105°C
 剥线长度: 10mm

※尺寸
 间距: 3.5mm(.138")
 极数: 2P~24P

※材质和电镀
 塑件: PA66, UL94V-0
 触点材料: 磷青铜
 簧片: 不锈钢



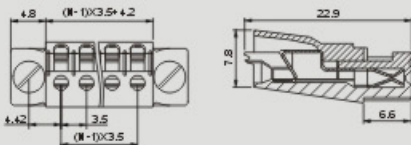
15EDGKNM-3.5



15EDGRC-THT-3.5
15EDGRC-THT-3.81



15EDGRM-THT-3.5
15EDGRM-THT-3.81



Pitch: 3.5mm; Poles: 2P~20P

APPROVAL

※ **Electrical**
Standard : UL IEC
Rated voltage : 300V 250V
Rated current : 8A 7A
Wire range : 28-16AWG 0.5-1.5mm²
Withstanding voltage : AC2000V/1Min

※ **Mechanical**

Ambient temperature : -40°C~+105°C
Strip length : 10 mm

※ **Dimensions**

Pitch : 3.5mm(.138")
Poles : 2P~20P

※ **Material**

Housing : PA66,UL94V-0
Contact : Phosphor bronze
Wire guard : Stainless steel

※ **电气性能**

参考标准: UL IEC
额定电压: 300V 250V
额定电流: 8A 7A
导线线径: 28-16AWG 0.5-1.5mm²
耐电压: AC2000V/1Min

※ **机械性能**

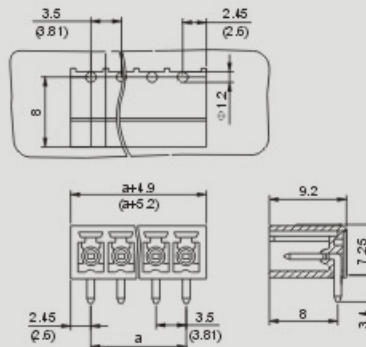
环境温度: -40°C~+105°C
剥线长度: 10mm

※ **尺寸**

间距: 3.5mm(.138")
极数: 2P~20P

※ **材质和电镀**

塑件: PA66,UL94V-0
触点材料: 磷青铜
簧片: 不锈钢



Pitch: 3.5,3.81mm; Poles: 2P~12P

APPROVAL

※ **Electrical**
Standard : UL IEC
Rated voltage : 300V 250V
Rated current : 8A 7A
Withstanding voltage : AC2000V/1Min

※ **Mechanical**

Ambient temperature : -40°C~+140°C

※ **Dimensions**

Pitch : 3.5mm(.138") 3.81mm(.150")
Poles : 2P~12P

※ **Material**

Housing : PA46,UL94V-0
Pin header : Brass,Tin plated

※ **电气性能**

参考标准: UL IEC
额定电压: 300V 250V
额定电流: 8A 7A
耐电压: AC2000V/1Min

※ **机械性能**

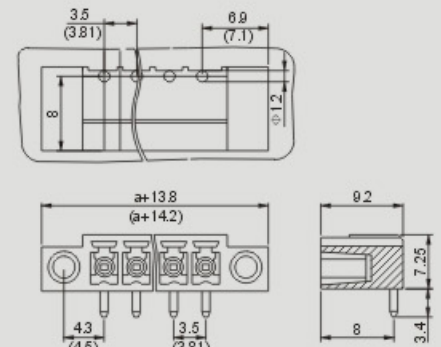
环境温度: -40°C~+140°C

※ **尺寸**

间距: 3.5mm(.138") 3.81mm(.150")
极数: 2P~12P

※ **材质和电镀**

塑件: PA46,UL94V-0
焊针: 黄铜,镀锡



Pitch: 3.5,3.81mm; Poles: 2P~12P

APPROVAL

※ **Electrical**
Standard : UL IEC
Rated voltage : 300V 250V
Rated current : 8A 7A
Withstanding voltage : AC2000V/1Min

※ **Mechanical**

Ambient temperature : -40°C~+140°C

※ **Dimensions**

Pitch : 3.5mm(.138") 3.81mm(.150")
Poles : 2P~12P

※ **Material**

Housing : PA46,UL94V-0
Pin header : Brass,Tin plated
Nut : M2.5,Brass

※ **电气性能**

参考标准: UL IEC
额定电压: 300V 250V
额定电流: 8A 7A
耐电压: AC2000V/1Min

※ **机械性能**

环境温度: -40°C~+140°C

※ **尺寸**

间距: 3.5mm(.138") 3.81mm(.150")
极数: 2P~12P

※ **材质和电镀**

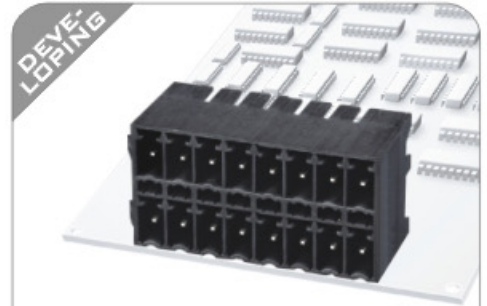
塑件: PA46,UL94V-0
焊针: 黄铜,镀锡
螺母: M2.5,黄铜



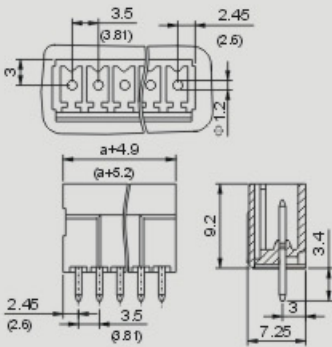
15EDGVC-THT-3.5
15EDGVC-THT-3.81



15EDGVM-THT-3.5
15EDGVM-THT-3.81



15EDGRHB-THT-3.5



Pitch: 3.5,3.81mm; Poles: 2P~12P

APPROVAL

Standard	UL	IEC
Rated voltage	300V	250V
Rated current	8A	7A
Withstanding voltage	AC2000V/1Min	

※Mechanical

Ambient temperature: -40°C ~ +140°C

※Dimensions

Pitch : 3.5mm(.138") 3.81mm(.150")
Poles : 2P~12P

※Material

Housing : PA46,UL94V-0
Pin header : Brass,Tin plated

※电气性能

参考标准:	UL	IEC
额定电压:	300V	250V
额定电流:	8A	7A
耐电压:	AC2000V/1Min	

※机械性能

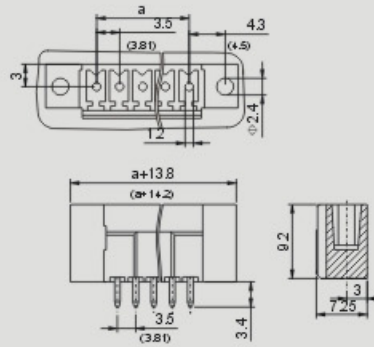
环境温度: -40°C ~ +140°C

※尺寸

间距: 3.5mm(.138") 3.81mm(.150")
极数: 2P~12P

※材质和电镀

塑件: PA46,UL94V-0
焊针: 黄铜,镀锡



Pitch: 3.5,3.81 mm; Poles: 2P~12P

APPROVAL

Standard	UL	IEC
Rated voltage	300V	250V
Rated current	8A	7A
Withstanding voltage	AC2000V/1Min	

※Mechanical

Ambient temperature: -40°C ~ +140°C

※Dimensions

Pitch : 3.5mm(.138") 3.81mm(.150")
Poles : 2P~12P

※Material

Housing : PA46,UL94V-0
Pin header : Brass,Tin plated
Nut : M2.5,Brass

※电气性能

参考标准:	UL	IEC
额定电压:	300V	250V
额定电流:	8A	7A
耐电压:	AC2000V/1Min	

※机械性能

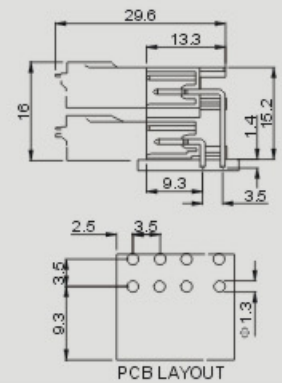
环境温度: -40°C ~ +140°C

※尺寸

间距: 3.5mm(.138") 3.81mm(.150")
极数: 2P~12P

※材质和电镀

塑件: PA46,UL94V-0
焊针: 黄铜,镀锡
螺母: M2.5,黄铜



Pitch: 3.5mm; Poles: 2*(2P~24P)

APPROVAL

Standard	UL	IEC
Rated voltage	300V	250V
Rated current	8A	7A
Withstanding voltage	AC2000V/1Min	

※Mechanical

Ambient temperature: -40°C ~ +140°C

※Dimensions

Pitch : 3.5mm(.138")
Poles : 2*(2P~24P)

※Material

Housing : PA46,UL94V-0
Pin header : Brass,Tin plated

※电气性能

参考标准:	UL	IEC
额定电压:	300V	250V
额定电流:	8A	7A
耐电压:	AC2000V/1Min	

※机械性能

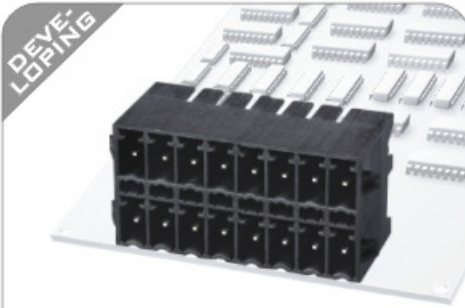
环境温度: -40°C ~ +140°C

※尺寸

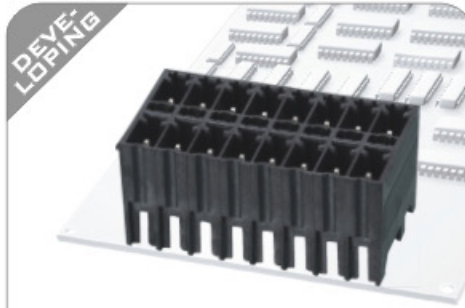
间距: 3.5mm(.138")
极数: 2*(2P~24P)

※材质和电镀

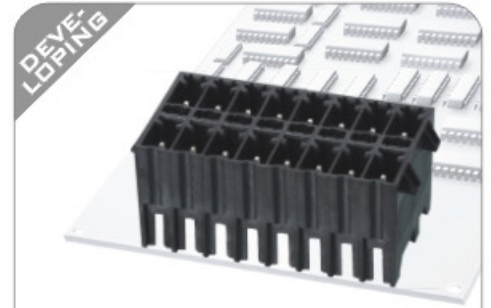
塑件: PA46,UL94V-0
焊针: 黄铜,镀锡



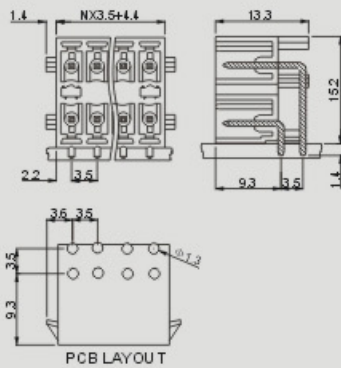
15EDGRHBN-THT-3.5



15EDGVHB-THT-3.5



15EDGVHBN-THT-3.5



Pitch: 3.5mm; Poles: 2* (2P~24P)

APPROVAL :
 ※ **Electrical**
 Standard : UL IEC
 Rated voltage : 300V 250V
 Rated current : 8A 7A
 Withstanding voltage : AC2000V/1Min

※ **Mechanical**
 Ambient temperature : -40°C ~ +140°C

※ **Dimensions**
 Pitch : 3.5mm (.138")
 Poles : 2* (2P~24P)

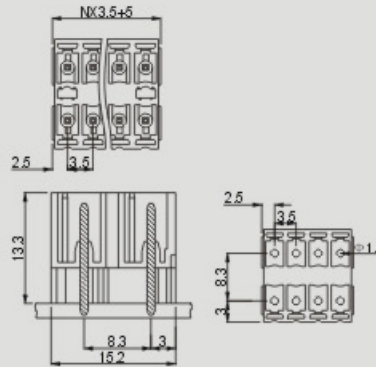
※ **Material**
 Housing : PA46, UL94V-0
 Pin header : Brass, Tin plated

※ **电气性能**
 参考标准: UL IEC
 额定电压: 300V 250V
 额定电流: 8A 7A
 耐电压: AC2000V/1Min

※ **机械性能**
 环境温度: -40°C ~ +140°C

※ **尺寸**
 间距: 3.5mm (.138")
 极数: 2* (2P~24P)

※ **材质和电镀**
 塑件: PA46, UL94V-0
 焊针: 黄铜, 镀锡



Pitch: 3.5mm; Poles: 2* (2P~24P)

APPROVAL :
 ※ **Electrical**
 Standard : UL IEC
 Rated voltage : 300V 250V
 Rated current : 8A 7A
 Withstanding voltage : AC2000V/1Min

※ **Mechanical**
 Ambient temperature : -40°C ~ +140°C

※ **Dimensions**
 Pitch : 3.5mm (.138")
 Poles : 2* (2P~24P)

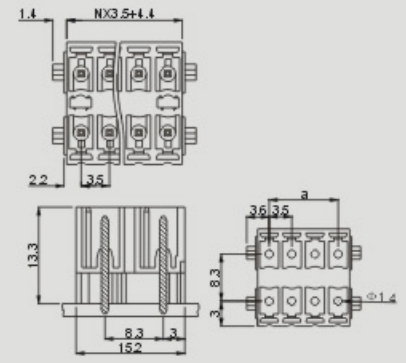
※ **Material**
 Housing : PA46, UL94V-0
 Pin header : Brass, Tin plated

※ **电气性能**
 参考标准: UL IEC
 额定电压: 300V 250V
 额定电流: 8A 7A
 耐电压: AC2000V/1Min

※ **机械性能**
 环境温度: -40°C ~ +140°C

※ **尺寸**
 间距: 3.5mm (.138")
 极数: 2* (2P~24P)

※ **材质和电镀**
 塑件: PA46, UL94V-0
 焊针: 黄铜, 镀锡



Pitch: 3.5mm; Poles: 2* (2P~24P)

APPROVAL :
 ※ **Electrical**
 Standard : UL IEC
 Rated voltage : 300V 250V
 Rated current : 8A 7A
 Withstanding voltage : AC2000V/1Min

※ **Mechanical**
 Ambient temperature : -40°C ~ +140°C

※ **Dimensions**
 Pitch : 3.5mm (.138")
 Poles : 2* (2P~24P)

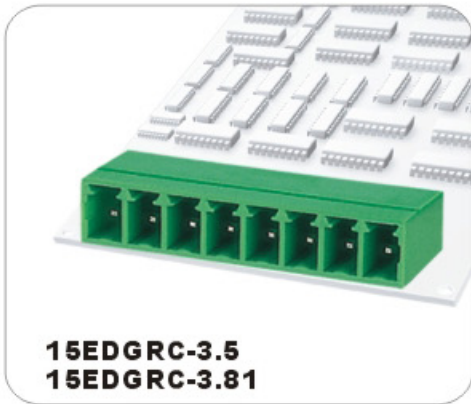
※ **Material**
 Housing : PA46, UL94V-0
 Pin header : Brass, Tin plated

※ **电气性能**
 参考标准: UL IEC
 额定电压: 300V 250V
 额定电流: 8A 7A
 耐电压: AC2000V/1Min

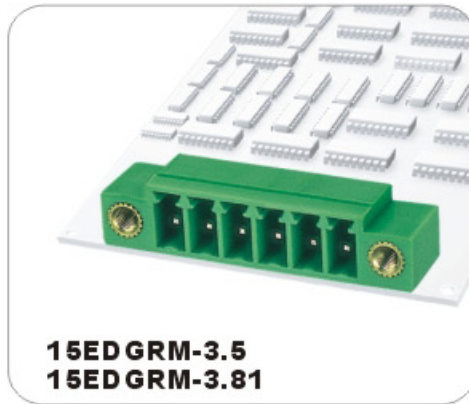
※ **机械性能**
 环境温度: -40°C ~ +140°C

※ **尺寸**
 间距: 3.5mm (.138")
 极数: 2* (2P~24P)

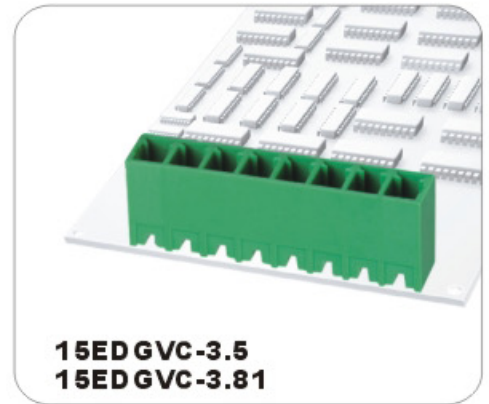
※ **材质和电镀**
 塑件: PA46, UL94V-0
 焊针: 黄铜, 镀锡



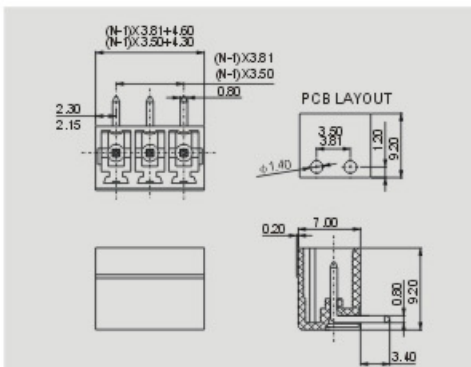
15EDGRC-3.5
15EDGRC-3.81





15EDGRM-3.5
15EDGRM-3.81



15EDGVC-3.5
15EDGVC-3.81



Pitch: 3.5,3.81mm; Poles: 2P~24P

APPROVAL :  
※Electrical
 Standard : UL IEC
 Rated voltage : 300V 250V
 Rated current : 8A 7A
 Withstanding voltage : AC2000V/1Min

※Mechanical
 Ambient temperature : -40°C~ +105°C

※Dimensions
 Pitch : 3.5mm(.138") 3.81mm(.150")
 Poles : 2P~24P

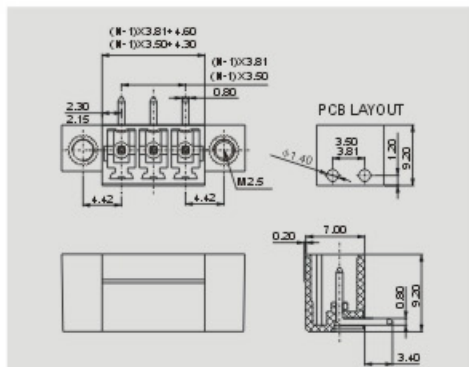
※Material
 Housing : PA66,UL94V-0
 Pin header : Brass,Tin plated

※电气性能
 参考标准: UL IEC
 额定电压: 300V 250V
 额定电流: 8A 7A
 耐电压: AC2000V/1Min



※机械性能
 环境温度: -40°C~ +105°C

※尺寸
 间距: 3.5mm(.138") 3.81mm(.150")
 极数: 2P~24P

※材质和电镀
 塑件: PA66,UL94V-0
 焊针: 黄铜,镀锡



Pitch: 3.5,3.81mm; Poles: 2P~20P

APPROVAL :  
※Electrical
 Standard : UL IEC
 Rated voltage : 300V 250V
 Rated current : 8A 7A
 Withstanding voltage : AC2000V/1Min

※Mechanical
 Ambient temperature : -40°C~ +105°C

※Dimensions
 Pitch : 3.5mm(.138") 3.81mm(.150")
 Poles : 2P~20P

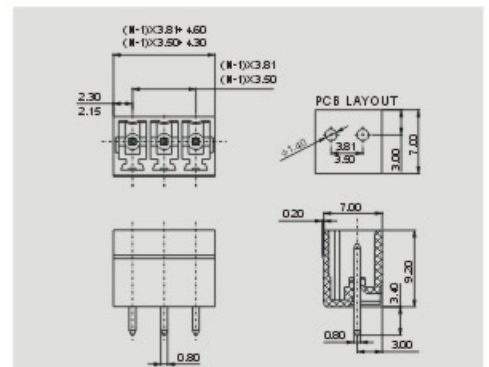
※Material
 Housing : PA66,UL94V-0
 Pin header : Brass,Tin plated
 Nut : M2.5,Brass

※电气性能
 参考标准: UL IEC
 额定电压: 300V 250V
 额定电流: 8A 7A
 耐电压: AC2000V/1Min

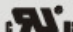

※机械性能
 环境温度: -40°C~ +105°C

※尺寸
 间距: 3.5mm(.138") 3.81mm(.150")
 极数: 2P~20P

※材质和电镀
 塑件: PA66,UL94V-0
 焊针: 黄铜,镀锡
 螺母: M2.5,黄铜



Pitch: 3.5,3.81mm; Poles: 2P~24P

APPROVAL :  
※Electrical
 Standard : UL IEC
 Rated voltage : 300V 250V
 Rated current : 8A 7A
 Withstanding voltage : AC2000V/1Min

※Mechanical
 Ambient temperature : -40°C~ +105°C

※Dimensions
 Pitch : 3.5mm(.138") 3.81mm(.150")
 Poles : 2P~24P

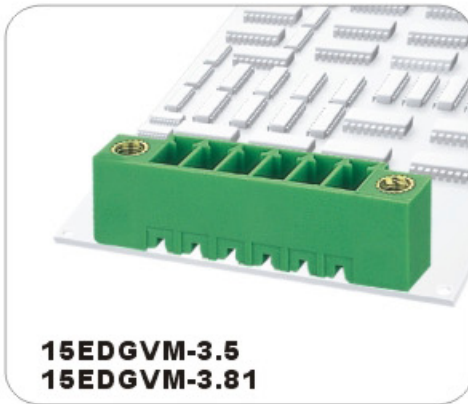
※Material
 Housing : PA66,UL94V-0
 Pin header : Brass,Tin plated

※电气性能
 参考标准: UL IEC
 额定电压: 300V 250V
 额定电流: 8A 7A
 耐电压: AC2000V/1Min

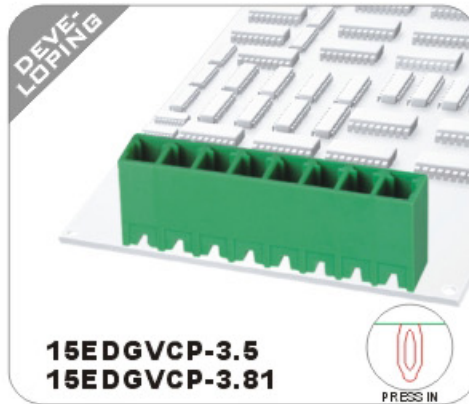
※机械性能
 环境温度: -40°C~ +105°C

※尺寸
 间距: 3.5mm(.138") 3.81mm(.150")
 极数: 2P~24P

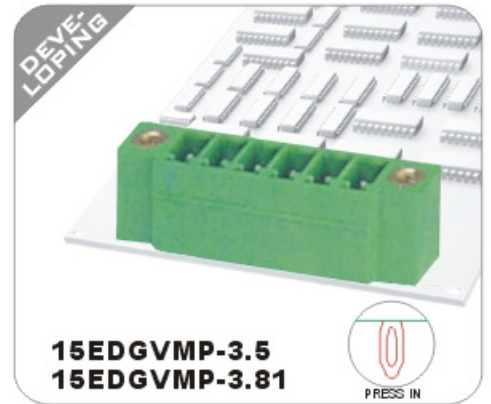
※材质和电镀
 塑件: PA66,UL94V-0
 焊针: 黄铜,镀锡



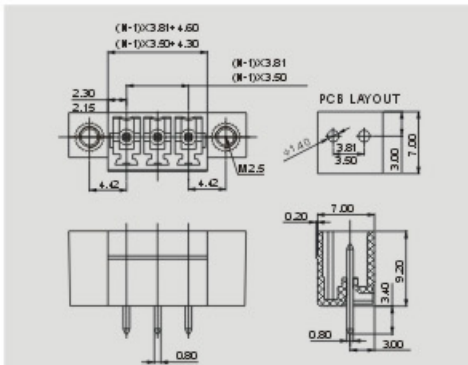
15EDGVM-3.5
15EDGVM-3.81





15EDGVCP-3.5
15EDGVCP-3.81



15EDGVMP-3.5
15EDGVMP-3.81



Pitch: 3.5, 3.81 mm; Poles: 2P~20P

APPROVAL :  
※ Electrical
 Standard : UL IEC
 Rated voltage : 300V 250V
 Rated current : 8A 7A
 Withstanding voltage : AC2000V/1Min

※ Mechanical
 Ambient temperature : -40°C ~ +105°C

※ Dimensions
 Pitch : 3.5mm (.138") 3.81mm (.150")
 Poles : 2P~20P

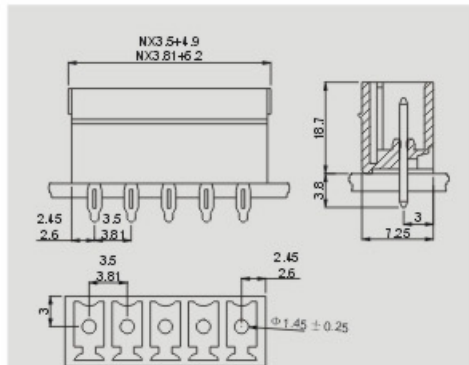
※ Material
 Housing : PA66, UL94V-0
 Pin header : Brass, Tin plated
 Nut : M2.5, Brass

※ 电气性能
 参考标准: UL IEC
 额定电压: 300V 250V
 额定电流: 8A 7A
 耐电压: AC2000V/1Min

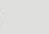
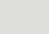
※ 机械性能
 环境温度: -40°C ~ +105°C

※ 尺寸
 间距: 3.5mm (.138") 3.81mm (.150")
 极数: 2P~20P

※ 材质和电镀
 塑件: PA66, UL94V-0
 焊针: 黄铜, 镀锡
 螺母: M2.5, 黄铜



Pitch: 3.5, 3.81 mm; Poles: 2P~24P

APPROVAL :  
※ Electrical
 Standard : UL IEC
 Rated voltage : 300V 250V
 Rated current : 8A 7A
 Withstanding voltage : AC2000V/1Min

※ Mechanical
 Ambient temperature : -40°C ~ +105°C

※ Dimensions
 Pitch : 3.5mm (.138") 3.81mm (.150")
 Poles : 2P~24P

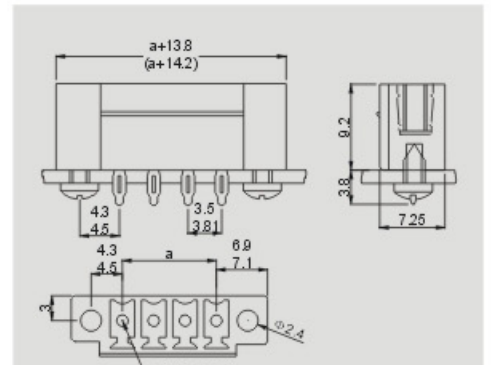
※ Material
 Housing : PA66, UL94V-0
 Pin header : Phosphor bronze, Tin plated

※ 电气性能
 参考标准: UL IEC
 额定电压: 300V 250V
 额定电流: 8A 7A
 耐电压: AC2000V/1Min

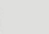
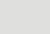
※ 机械性能
 环境温度: -40°C ~ +105°C

※ 尺寸
 间距: 3.5mm (.138") 3.81mm (.150")
 极数: 2P~24P

※ 材质和电镀
 塑件: PA66, UL94V-0
 焊针: 磷青铜, 镀锡



Pitch: 3.5, 3.81 mm; Poles: 2P~20P

APPROVAL :  
※ Electrical
 Standard : UL IEC
 Rated voltage : 300V 250V
 Rated current : 8A 7A
 Withstanding voltage : AC2000V/1Min

※ Mechanical
 Ambient temperature : -40°C ~ +105°C

※ Dimensions
 Pitch : 3.5mm (.138") 3.81mm (.150")
 Poles : 2P~20P

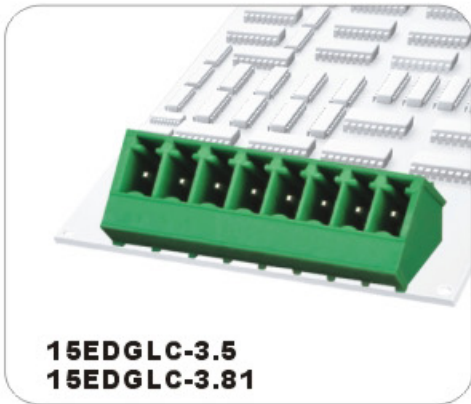
※ Material
 Housing : PA66, UL94V-0
 Pin header : Phosphor bronze, Tin plated
 Nut : M2.5, Brass

※ 电气性能
 参考标准: UL IEC
 额定电压: 300V 250V
 额定电流: 8A 7A
 耐电压: AC2000V/1Min

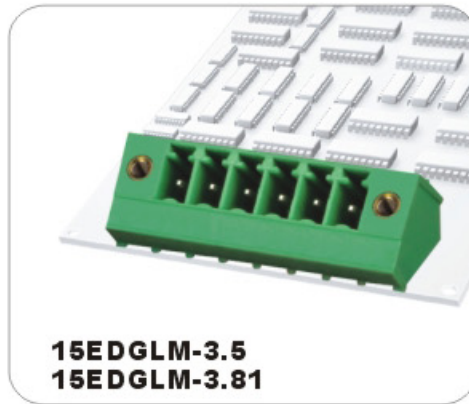
※ 机械性能
 环境温度: -40°C ~ +105°C

※ 尺寸
 间距: 3.5mm (.138") 3.81mm (.150")
 极数: 2P~20P

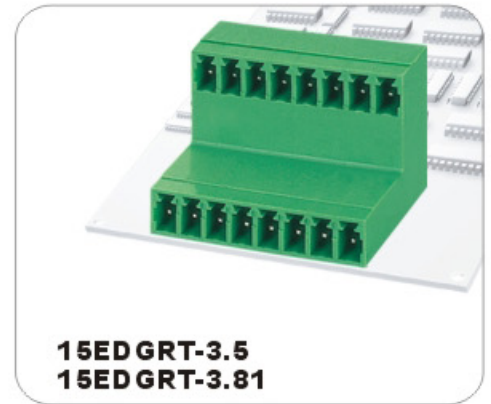
※ 材质和电镀
 塑件: PA66, UL94V-0
 焊针: 磷青铜, 镀锡
 螺母: M2.5, 黄铜



15EDGLC-3.5
15EDGLC-3.81



15EDGLM-3.5
15EDGLM-3.81



15EDGRT-3.5
15EDGRT-3.81



Pitch: 3.5, 3.81mm; Poles: 2P~24P

APPROVAL : In the course of application 

※Electrical

Standard	: UL	IEC
Rated voltage	: 300V	250V
Rated current	: 8A	7A
Withstanding voltage	: AC2000V/1Min	

※Mechanical
Ambient temperature: -40°C~ +105°C

※Dimensions
Pitch : 3.5mm(.138") 3.81mm(.150")
Poles : 2P~24P

※Material
Housing : PA66, UL94V-0
Pin header : Brass, Tin plated

※电气性能
参考标准: UL IEC
额定电压: 300V 250V
额定电流: 8A 7A
耐电压: AC2000V/1Min

※机械性能
环境温度: -40°C~ +105°C

※尺寸
间距: 3.5mm(.138") 3.81mm(.150")
极数: 2P~24P

※材质和电镀
塑件: PA66, UL94V-0
焊针: 黄铜, 镀锡



Pitch: 3.5, 3.81 mm; Poles: 2P~20P

APPROVAL : In the course of application 

※Electrical

Standard	: UL	IEC
Rated voltage	: 300V	250V
Rated current	: 8A	7A
Withstanding voltage	: AC2000V/1Min	

※Mechanical
Ambient temperature: -40°C~ +105°C

※Dimensions
Pitch : 3.5mm(.138") 3.81mm(.150")
Poles : 2P~20P

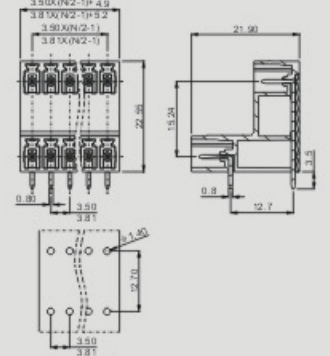
※Material
Housing : PA66, UL94V-0
Pin header : Brass, Tin plated
Nut : M2.5, Brass

※电气性能
参考标准: UL IEC
额定电压: 300V 250V
额定电流: 8A 7A
耐电压: AC2000V/1Min



※机械性能
环境温度: -40°C~ +105°C

※尺寸
间距: 3.5mm(.138") 3.81mm(.150")
极数: 2P~20P

※材质和电镀
塑件: PA66, UL94V-0
焊针: 黄铜, 镀锡
螺母: M2.5, 黄铜



Pitch: 3.5, 3.81 mm; Poles: 2*(2P~24P)

APPROVAL :  

※Electrical

Standard	: UL	IEC
Rated voltage	: 300V	250V
Rated current	: 8A	7A
Withstanding voltage	: AC2000V/1Min	

※Mechanical
Ambient temperature: -40°C~ +105°C

※Dimensions
Pitch : 3.5mm(.138") 3.81mm(.150")
Poles : 2*(2P~24P)

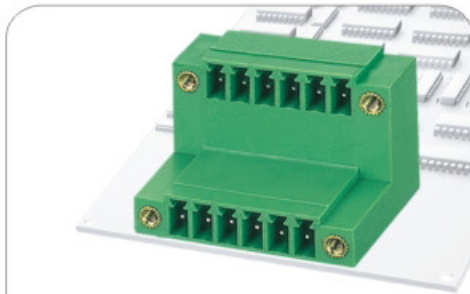
※Material
Housing : PA66, UL94V-0
Pin header : Brass, Tin plated

※电气性能
参考标准: UL IEC
额定电压: 300V 250V
额定电流: 8A 7A
耐电压: AC2000V/1Min

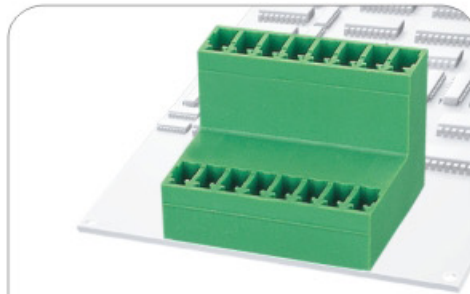
※机械性能
环境温度: -40°C~ +105°C

※尺寸
间距: 3.5mm(.138") 3.81mm(.150")
极数: 2*(2P~24P)

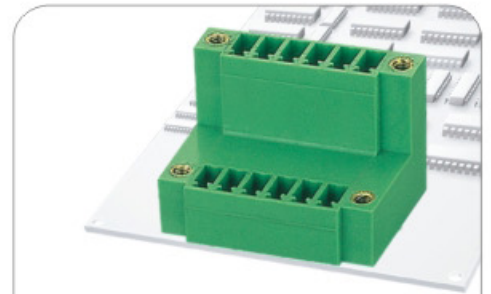
※材质和电镀
塑件: PA66, UL94V-0
焊针: 黄铜, 镀锡



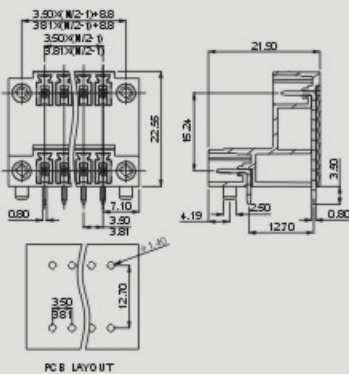
15EDGRTM-3.5
15EDGRTM-3.81





15EDGVT-3.5
15EDGVT-3.81



15EDGVTM-3.5
15EDGVTM-3.81



Pitch: 3.5, 3.81 mm; Poles: 2*(2P~20P)

APPROVAL :  
※Electrical
 Standard : UL IEC
 Rated voltage : 300V 250V
 Rated current : 8A 7A
 Withstanding voltage : AC2000V/1Min

※Mechanical
 Ambient temperature : -40°C~ +105°C

※Dimensions
 Pitch : 3.5mm (.138") 3.81mm (.150")
 Poles : 2*(2P~20P)

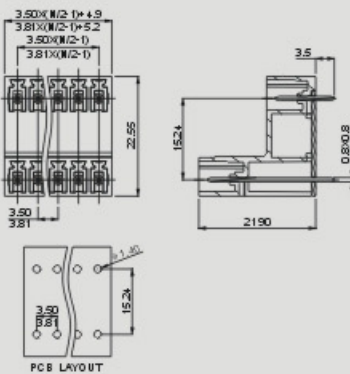
※Material
 Housing : PA66, UL94V-0
 Pin header : Brass, Tin plated
 Nut : M2.5, Brass

※电气性能
 参考标准: UL IEC
 额定电压: 300V 250V
 额定电流: 8A 7A
 耐电压: AC2000V/1Min



※机械性能
 环境温度: -40°C~ +105°C

※尺寸
 间距: 3.5mm (.138") 3.81mm (.150")
 极数: 2*(2P~20P)

※材质和电镀
 塑件: PA66, UL94V-0
 焊针: 黄铜, 镀锡
 螺母: M2.5, 黄铜



Pitch: 3.5, 3.81 mm; Poles: 2*(2P~24P)

APPROVAL :  
※Electrical
 Standard : UL IEC
 Rated voltage : 300V 250V
 Rated current : 8A 7A
 Withstanding voltage : AC2000V/1Min

※Mechanical
 Ambient temperature : -40°C~ +105°C

※Dimensions
 Pitch : 3.5mm (.138") 3.81mm (.150")
 Poles : 2*(2P~24P)

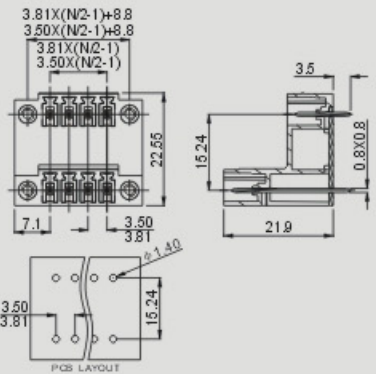
※Material
 Housing : PA66, UL94V-0
 Pin header : Brass, Tin plated

※电气性能
 参考标准: UL IEC
 额定电压: 300V 250V
 额定电流: 8A 7A
 耐电压: AC2000V/1Min



※机械性能
 环境温度: -40°C~ +105°C

※尺寸
 间距: 3.5mm (.138") 3.81mm (.150")
 极数: 2*(2P~24P)

※材质和电镀
 塑件: PA66, UL94V-0
 焊针: 黄铜, 镀锡



Pitch: 3.5, 3.81 mm; Poles: 2*(2P~20P)

APPROVAL :  
※Electrical
 Standard : UL IEC
 Rated voltage : 300V 250V
 Rated current : 8A 7A
 Withstanding voltage : AC2000V/1Min

※Mechanical
 Ambient temperature : -40°C~ +105°C

※Dimensions
 Pitch : 3.5mm (.138") 3.81mm (.150")
 Poles : 2*(2P~20P)

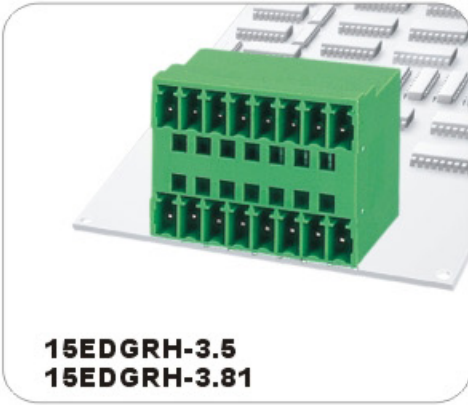
※Material
 Housing : PA66, UL94V-0
 Pin header : Brass, Tin plated
 Nut : M2.5, Brass

※电气性能
 参考标准: UL IEC
 额定电压: 300V 250V
 额定电流: 8A 7A
 耐电压: AC2000V/1Min

※机械性能
 环境温度: -40°C~ +105°C

※尺寸
 间距: 3.5mm (.138") 3.81mm (.150")
 极数: 2*(2P~20P)

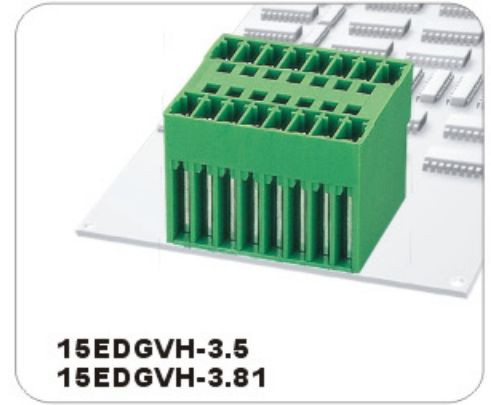
※材质和电镀
 塑件: PA66, UL94V-0
 焊针: 黄铜, 镀锡
 螺母: M2.5, 黄铜



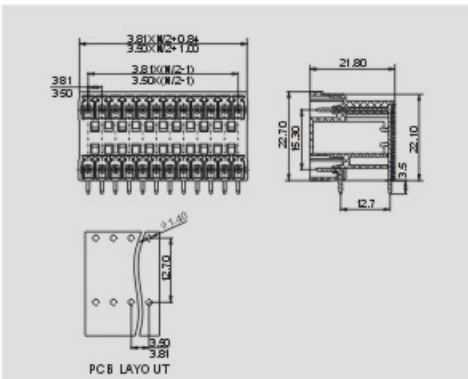
15EDGRH-3.5
15EDGRH-3.81





15EDGRHM-3.5
15EDGRHM-3.81



15EDGVH-3.5
15EDGVH-3.81



Pitch: 3.5,3.81mm; Poles: 2*(2P~24P)

APPROVAL :  
※Electrical
 Standard : UL IEC
 Rated voltage : 300V 250V
 Rated current : 8A 7A
 Withstanding voltage : AC2000V/1Min

※Mechanical
 Ambient temperature : -40°C~ +105°C

※Dimensions
 Pitch : 3.5mm(.138") 3.81mm(.150")
 Poles : 2*(2P~24P)

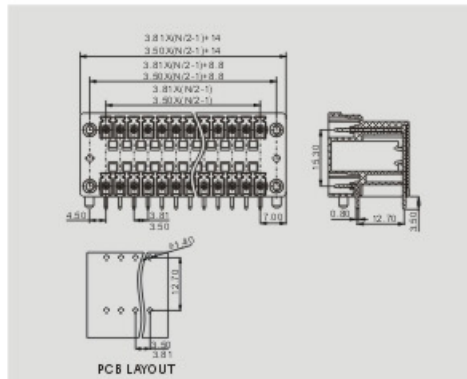
※Material
 Housing : PA66,UL94V-0
 Pin header : Brass,Tin plated

※电气性能
 参考标准: UL IEC
 额定电压: 300V 250V
 额定电流: 8A 7A
 耐电压: AC2000V/1Min



※机械性能
 环境温度: -40°C~ +105°C

※尺寸
 间距: 3.5mm(.138") 3.81mm(.150")
 极数: 2*(2P~24P)

※材质和电镀
 塑件: PA66,UL94V-0
 焊针: 黄铜,镀锡



Pitch: 3.5,3.81 mm; Poles: 2*(2P~20P)

APPROVAL :  
※Electrical
 Standard : UL IEC
 Rated voltage : 300V 250V
 Rated current : 8A 7A
 Withstanding voltage : AC2000V/1Min

※Mechanical
 Ambient temperature : -40°C~ +105°C

※Dimensions
 Pitch : 3.5mm(.138") 3.81mm(.150")
 Poles : 2*(2P~20P)

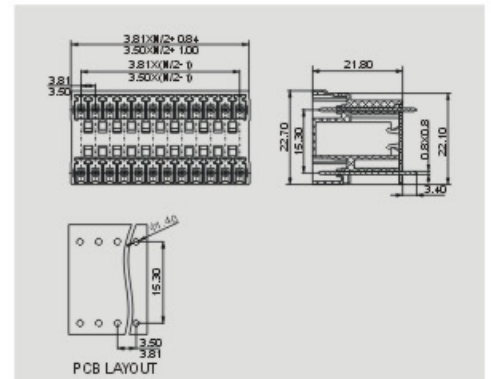
※Material
 Housing : PA66,UL94V-0
 Pin header : Brass,Tin plated
 Nut : M2.5,Brass

※电气性能
 参考标准: UL IEC
 额定电压: 300V 250V
 额定电流: 8A 7A
 耐电压: AC2000V/1Min



※机械性能
 环境温度: -40°C~ +105°C

※尺寸
 间距: 3.5mm(.138") 3.81mm(.150")
 极数: 2*(2P~20P)

※材质和电镀
 塑件: PA66,UL94V-0
 焊针: 黄铜,镀锡
 螺母: M2.5,黄铜



Pitch: 3.5,3.81 mm; Poles: 2*(2P~24P)

APPROVAL :  
※Electrical
 Standard : UL IEC
 Rated voltage : 300V 250V
 Rated current : 8A 7A
 Withstanding voltage : AC2000V/1Min

※Mechanical
 Ambient temperature : -40°C~ +105°C

※Dimensions
 Pitch : 3.5mm(.138") 3.81mm(.150")
 Poles : 2*(2P~24P)

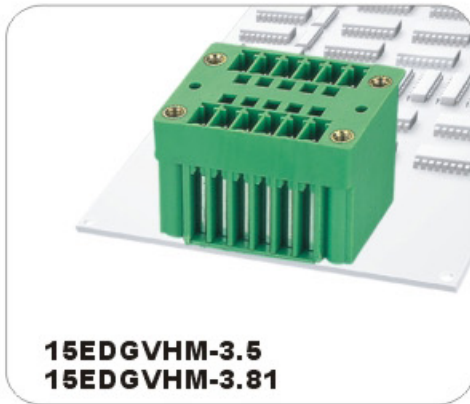
※Material
 Housing : PA66,UL94V-0
 Pin header : Brass,Tin plated

※电气性能
 参考标准: UL IEC
 额定电压: 300V 250V
 额定电流: 8A 7A
 耐电压: AC2000V/1Min

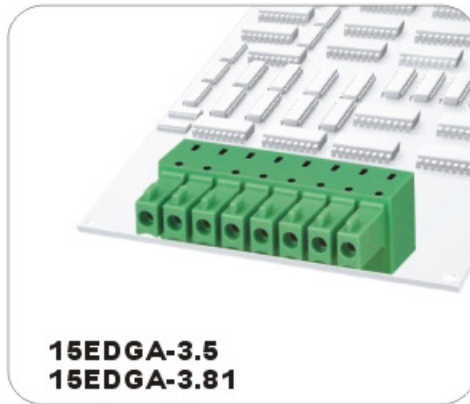
※机械性能
 环境温度: -40°C~ +105°C

※尺寸
 间距: 3.5mm(.138") 3.81mm(.150")
 极数: 2*(2P~24P)

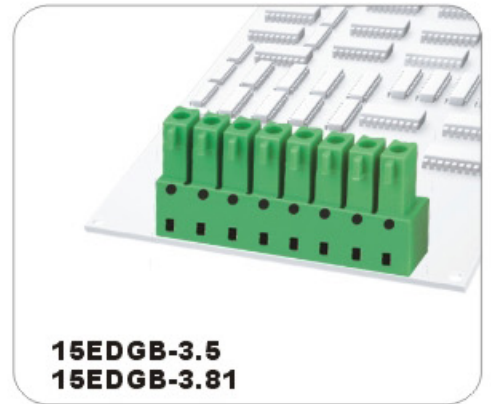
※材质和电镀
 塑件: PA66,UL94V-0
 焊针: 黄铜,镀锡



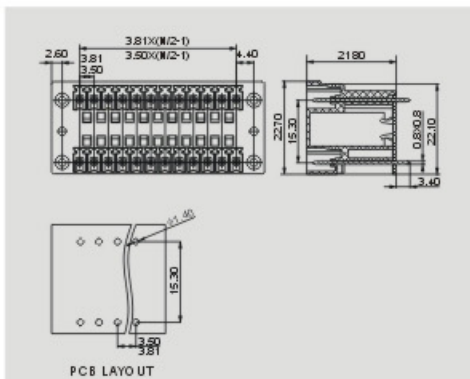
15EDGVHM-3.5
15EDGVHM-3.81




15EDGA-3.5
15EDGA-3.81



15EDGB-3.5
15EDGB-3.81



Pitch: 3.5, 3.81 mm; Poles: 2* (2P~20P)

APPROVAL : 
※Electrical
 Standard : UL IEC
 Rated voltage : 300V 250V
 Rated current : 8A 7A
 Withstanding voltage : AC2000V/1Min

※Mechanical
 Ambient temperature : -40°C~ +105°C

※Dimensions
 Pitch : 3.5mm (.138") 3.81mm (.150")
 Poles : 2* (2P~20P)

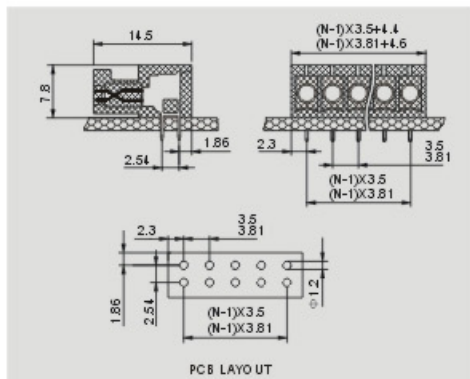
※Material
 Housing : PA66, UL94V-0
 Pin header : Brass, Tin plated
 Nut : M2.5, Brass

※电气性能
 参考标准: UL IEC
 额定电压: 300V 250V
 额定电流: 8A 7A
 耐电压: AC2000V/1Min

※机械性能
 环境温度: -40°C~ +105°C

※尺寸
 间距: 3.5mm (.138") 3.81mm (.150")
 极数: 2* (2P~20P)

※材质和电镀
 塑件: PA66, UL94V-0
 焊针: 黄铜, 镀锡
 螺母: M2.5, 黄铜



Pitch: 3.5, 3.81 mm; Poles: (2P~24P)

APPROVAL :
※Electrical
 Standard : UL IEC
 Rated voltage : 300V 250V
 Rated current : 8A 7A
 Withstanding voltage : AC2000V/1Min

※Mechanical
 Ambient temperature : -40°C~ +105°C

※Dimensions
 Pitch : 3.5mm (.138") 3.81mm (.150")
 Poles : 2P~24P

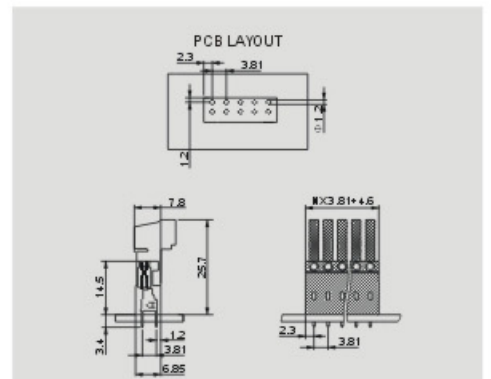
※Material
 Housing : PA66, UL94V-0
 Contact : Phosphor bronze, Tin plated

※电气性能
 参考标准: UL IEC
 额定电压: 300V 250V
 额定电流: 8A 7A
 耐电压: AC2000V/1Min

※机械性能
 环境温度: -40°C~ +105°C

※尺寸
 间距: 3.5mm (.138") 3.81mm (.150")
 极数: 2P~24P

※材质和电镀
 塑件: PA66, UL94V-0
 触点材料: 磷青铜, 镀锡



Pitch: 3.5, 3.81 mm; Poles: (2P~24P)

APPROVAL :
※Electrical
 Standard : UL IEC
 Rated voltage : 300V 250V
 Rated current : 8A 7A
 Withstanding voltage : AC2000V/1Min

※Mechanical
 Ambient temperature : -40°C~ +105°C

※Dimensions
 Pitch : 3.5mm (.138") 3.81mm (.150")
 Poles : 2P~24P

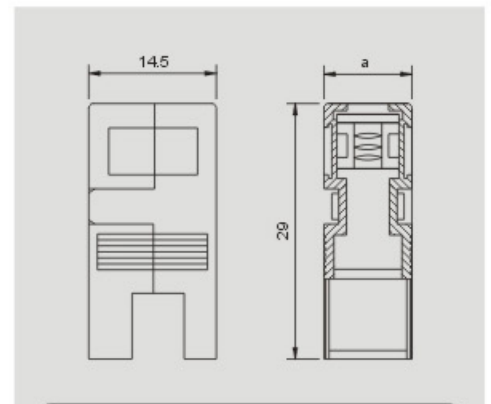
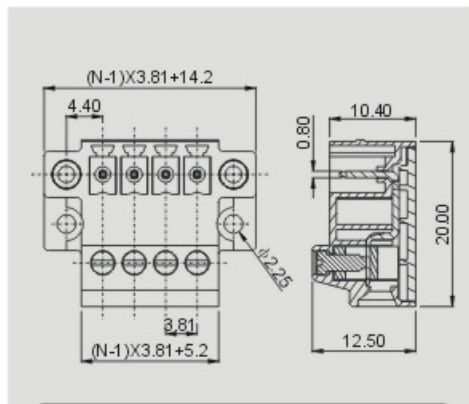
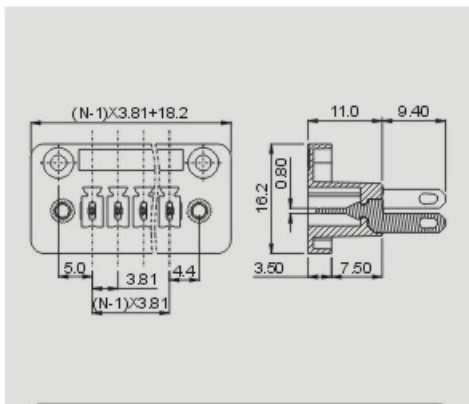
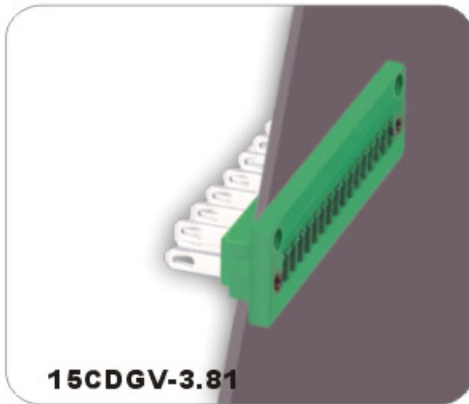
※Material
 Housing : PA66, UL94V-0
 Contact : Phosphor bronze, Tin plated

※电气性能
 参考标准: UL IEC
 额定电压: 300V 250V
 额定电流: 8A 7A
 耐电压: AC2000V/1Min

※机械性能
 环境温度: -40°C~ +105°C

※尺寸
 间距: 3.5mm (.138") 3.81mm (.150")
 极数: 2P~24P


※材质和电镀
 塑件: PA66, UL94V-0
 触点材料: 磷青铜, 镀锡



Pitch: 3.81 mm; Poles: 2P~20P

Pitch: 3.81 mm; Poles: 2P~20P

Pitch: 3.81 mm; Poles: 2P~5P

APPROVAL : In the course of application 

※ **Electrical**

Standard	: UL	IEC
Rated voltage	: 300V	250V
Rated current	: 8A	7A
Withstanding voltage	: AC2000V/1 Min	

※ **Mechanical**


Ambient temperature: -40°C~ +105°C

※ **Dimensions**

Pitch : 3.81 mm(.150")
Poles : 2P~20P

※ **Material**

Housing : PA66, UL94V-0
Pin header : Phosphor bronze, Tin plated
Nut : M2.5, Brass

APPROVAL : 

※ **Electrical**

Standard	: UL	IEC
Rated voltage	: 300V	250V
Rated current	: 8A	7A
Wire range	: 28-16AWG 0.5-1.5mm ²	
Withstanding voltage	: AC2000V/1 Min	

※ **Mechanical**

Torque : 0.2Nm(1.7Lb-In.)
Ambient temperature: -40°C~ +105°C
Strip length : 7 mm

※ **Dimensions**

Pitch : 3.81 mm(.150")
Poles : 2P~20P

※ **Material**

Housing : PA66, UL94V-0
Screws : M2, steel, Cr⁺ Zn plated
Contact : Phosphor bronze
Cage : Brass, Ni plated

APPROVAL :

※ **Mechanical**

Ambient temperature: -40°C~ +105°C

※ **Dimensions**

Pitch : 3.81 mm(.150")
Poles : 2P~5P

※ **Material**

Housing : ABS, UL94V-0

※ **电气性能**

参考标准	: UL	IEC
额定电压	: 300V	250V
额定电流	: 8A	7A
耐电压	: AC2000V/1Min	

※ **机械性能**

环境温度: -40°C~ +105°C

※ **尺寸**

间距 : 3.81mm(.150")
极数 : 2P~20P

※ **材质和电镀**

塑件 : PA66, UL94V-0
焊针 : 磷青铜, 镀锡
螺母 : M2.5, 黄铜

※ **电气性能**

参考标准	: UL	IEC
额定电压	: 300V	250V
额定电流	: 8A	7A
导线线径	: 28-16AWG 0.5-1.5mm ²	
耐电压	: AC2000V/1Min	

※ **机械性能**

扭力矩: 0.2Nm(1.7Lb-In.)
环境温度: -40°C~ +105°C
剥线长度: 7mm

※ **尺寸**

间距 : 3.81mm(.150")
极数 : 2P~20P

※ **材质和电镀**

塑件 : PA66, UL94V-0
螺丝 : M2, 钢, 镀Cr⁺钝化彩锌
触点材料: 磷青铜
方盒 : 黄铜, 镀镍

※ **机械性能**

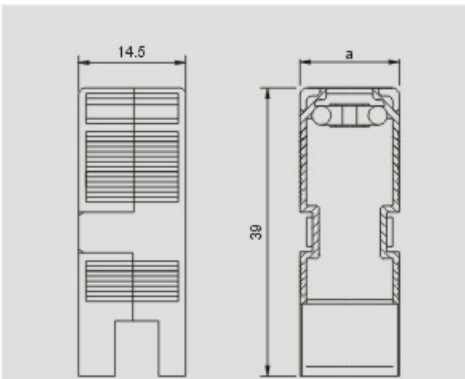
环境温度: -40°C~ +105°C

※ **尺寸**

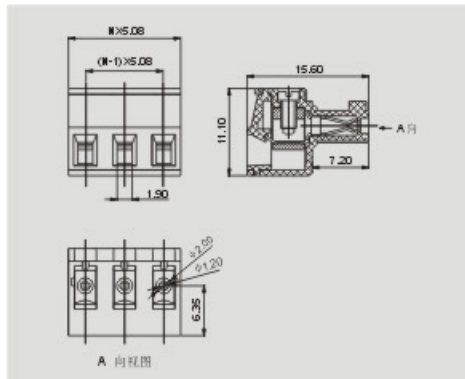
间距 : 3.81mm(.150")
极数 : 2P~5P

※ **材质和电镀**

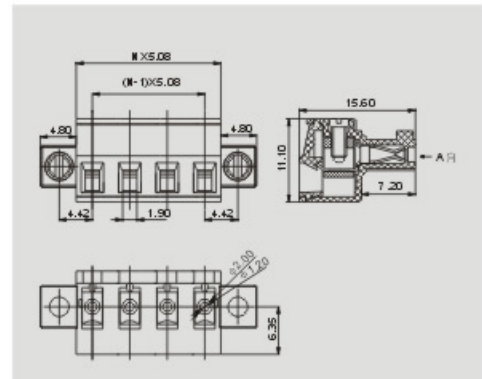
塑件 : ABS, UL94V-0




Pitch: 3.81 mm; Poles: 6P~16P



Pitch: 5.08 mm; Poles: 2P~12P



Pitch: 5.08 mm; Poles: 2P~12P

APPROVAL : 

※ **Mechanical**
Ambient temperature: -40°C ~ +105°C


※ **Dimensions**
Pitch : 3.81mm (.150")
Poles : 6P~16P

※ **Material**
Housing : ABS, UL94V-0

※ **机械性能**
环境温度: -40°C ~ +105°C

※ **尺寸**
间距: 3.81mm (.150")
极数: 6P~16P

※ **材质和电镀**
塑件: ABS, UL94V-0

APPROVAL : 

※ **Electrical**
Standard : UL IEC
Rated voltage : 300V 250V
Rated current : 8A 7A
Wire range : 28-16AWG 0.5- 1.5mm²
Withstanding voltage: AC2000V/1Min

※ **Mechanical**
Torque : 0.2Nm (1.7Lb-In.)
Ambient temperature: -40°C ~ +105°C
Strip length : 7mm

※ **Dimensions**
Pitch : 5.08mm (.200")
Poles : 2P~12P


※ **Material**
Housing : PA66, UL94V-0
Screws : M2, steel, Cr⁺ Zn plated
Contact : Phosphor bronze
Cage : Brass, Ni plated

※ **电气性能**
参考标准: UL IEC
额定电压: 300V 250V
额定电流: 8A 7A
导线线径: 28-16AWG 0.5-1.5mm²
耐电压: AC2000V/1Min

※ **机械性能**
扭力矩: 0.2Nm (1.7Lb-In.)
环境温度: -40°C ~ +105°C
剥线长度: 7mm

※ **尺寸**
间距: 5.08mm (.200")
极数: 2P~12P

※ **材质和电镀**
塑件: PA66, UL94V-0
螺丝: M2, 钢, 镀Cr⁺钝化彩锌
触点材料: 磷青铜
方盒: 黄铜, 镀镍

APPROVAL : 

※ **Electrical**
Standard : UL IEC
Rated voltage : 300V 250V
Rated current : 8A 7A
Wire range : 28-16AWG 0.5- 1.5mm²
Withstanding voltage: AC2000V/1Min

※ **Mechanical**
Torque : 0.2Nm (1.7Lb-In.)
Ambient temperature: -40°C ~ +105°C
Strip length : 7mm

※ **Dimensions**
Pitch : 5.08mm (.200")
Poles : 2P~12P

※ **Material**
Housing : PA66, UL94V-0
Screws : M2, steel, Cr⁺ Zn plated
Contact : Phosphor bronze
Cage : Brass, Ni plated

※ **电气性能**
参考标准: UL IEC
额定电压: 300V 250V
额定电流: 8A 7A
导线线径: 28-16AWG 0.5-1.5mm²
耐电压: AC2000V/1Min

※ **机械性能**
扭力矩: 0.2Nm (1.7Lb-In.)
环境温度: -40°C ~ +105°C
剥线长度: 7mm

※ **尺寸**
间距: 5.08mm (.200")
极数: 2P~12P

※ **材质和电镀**
塑件: PA66, UL94V-0
螺丝: M2, 钢, 镀Cr⁺钝化彩锌
触点材料: 磷青铜
方盒: 黄铜, 镀镍

DEVE-
LOPING

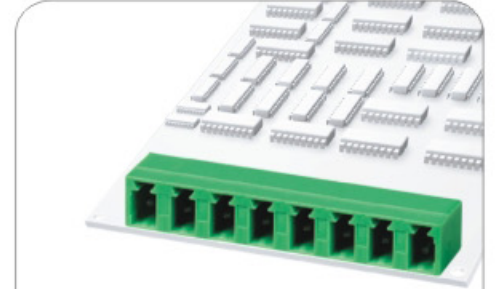


15EDGKF-5.08

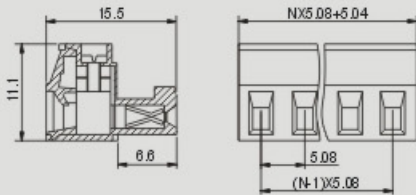
DEVE-
LOPING



15EDGKFM-5.08



15EDGRC-5.08



Pitch: 5.08mm; Poles: 2P~12P

APPROVAL

※ **Electrical**

Standard	: UL	IEC
Rated voltage	: 300V	250V
Rated current	: 8A	7A
Wire range	: 28-16AWG 0.5-1.5mm ²	
Withstanding voltage	: AC2000V/1Min	

※ **Mechanical**

Torque	: 0.2Nm(1.7Lb-In.)
Ambient temperature	: -40°C~+105°C
Strip length	: 7mm

※ **Dimensions**

Pitch	: 5.08mm(.200")
Poles	: 2P~12P

※ **Material**

Housing	: PA66,UL94V-0
Screws	: M2,steel,Cr ⁺ Zn plated
Contact	: Phosphor bronze
Cage	: Brass,Ni plated

※ **电气性能**

参考标准:	UL	IEC
额定电压:	300V	250V
额定电流:	8A	7A
导线线径:	28-16AWG 0.5-1.5mm ²	
耐电压:	AC2000V/1Min	

※ **机械性能**

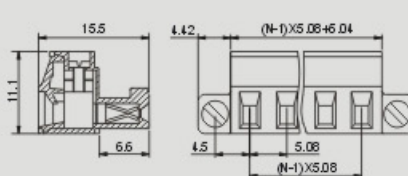
扭力矩:	0.2Nm(1.7Lb-In.)
环境温度:	-40°C~+105°C
剥线长度:	7mm

※ **尺寸**

间距:	5.08mm(.200")
极数:	2P~12P

※ **材质和电镀**

塑件:	PA66,UL94V-0
螺丝:	M2,铜,镀Cr ⁺ 钝化彩锌
触点材料:	磷青铜
方盒:	黄铜,镀镍



Pitch: 5.08mm; Poles: 2P~12P

APPROVAL

※ **Electrical**

Standard	: UL	IEC
Rated voltage	: 300V	250V
Rated current	: 8A	7A
Wire range	: 28-16AWG 0.5-1.5mm ²	
Withstanding voltage	: AC2000V/1Min	

※ **Mechanical**

Torque	: 0.2Nm(1.7Lb-In.)
Ambient temperature	: -40°C~+105°C
Strip length	: 7mm

※ **Dimensions**

Pitch	: 5.08mm(.200")
Poles	: 2P~12P

※ **Material**

Housing	: PA66,UL94V-0
Screws	: M2,steel,Cr ⁺ Zn plated
Contact	: Phosphor bronze
Cage	: Brass,Ni plated

※ **电气性能**

参考标准:	UL	IEC
额定电压:	300V	250V
额定电流:	8A	7A
导线线径:	28-16AWG 0.5-1.5mm ²	
耐电压:	AC2000V/1Min	

※ **机械性能**

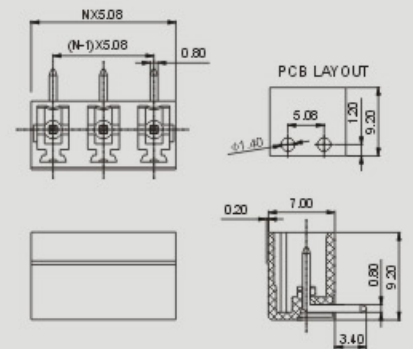
扭力矩:	0.2Nm(1.7Lb-In.)
环境温度:	-40°C~+105°C
剥线长度:	7mm

※ **尺寸**

间距:	5.08mm(.200")
极数:	2P~12P

※ **材质和电镀**

塑件:	PA66,UL94V-0
螺丝:	M2,铜,镀Cr ⁺ 钝化彩锌
触点材料:	磷青铜
方盒:	黄铜,镀镍



Pitch: 5.08mm; Poles: 2P~12P

APPROVAL

※ **Electrical**

Standard	: UL	IEC
Rated voltage	: 300V	250V
Rated current	: 8A	7A
Withstand in g voltage	: AC2000V/1Min	

※ **Mechanical**

Ambient temperature: -40°C~+105°C

※ **Dimensions**

Pitch	: 5.08mm(.200")
Poles	: 2P~12P

※ **Material**

Housing	: PA66,UL94V-0
Pin header	: Brass,Tin plated

※ **电气性能**

参考标准:	UL	IEC
额定电压:	300V	250V
额定电流:	8A	7A
耐电压:	AC2000V/1Min	

※ **机械性能**

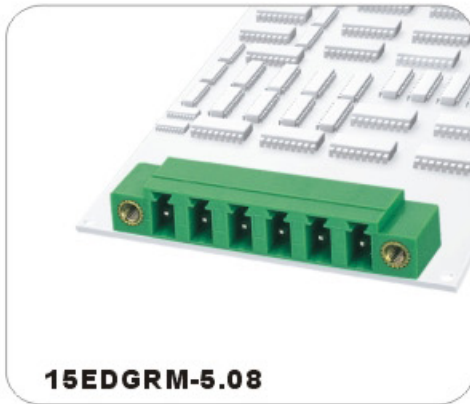
环境温度: -40°C~+105°C

※ **尺寸**

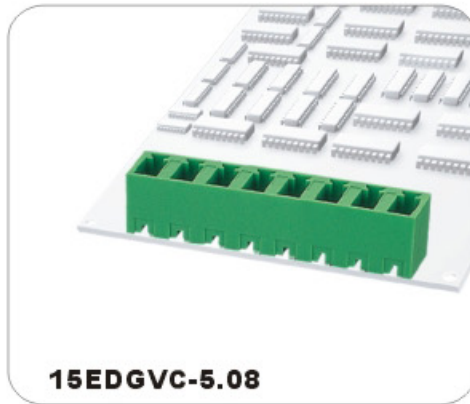
间距:	5.08mm(.200")
极数:	2P~12P

※ **材质和电镀**

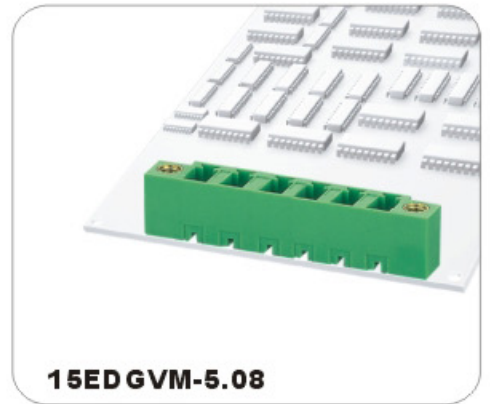
塑件:	PA66,UL94V-0
焊针:	黄铜,镀锡



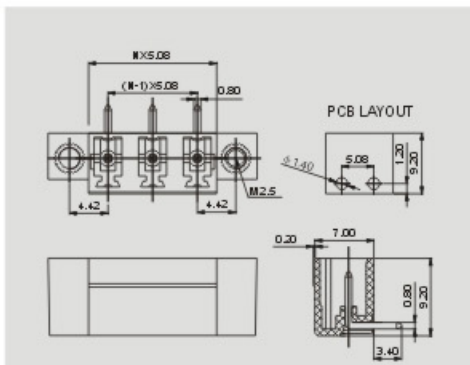
15EDGRM-5.08





15EDGVC-5.08



15EDGVM-5.08



Pitch: 5.08mm; Poles: 2P~12P

APPROVAL :  
 ※ **Electrical**
 Standard : UL IEC
 Rated voltage : 300V 250V
 Rated current : 8A 7A
 Withstanding voltage : AC2000V/1Min

※ **Mechanical**
 Ambient temperature : -40°C ~ +105°C

※ **Dimensions**
 Pitch : 5.08mm(.200")
 Poles : 2P~12P

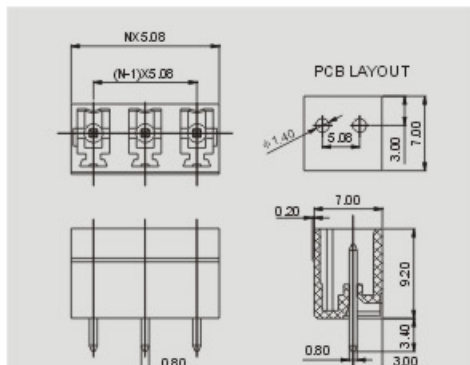
※ **Material**
 Housing : PA66,UL94V-0
 Pin header : Brass,Tin plated
 Nut : M2.5,Brass

※ **电气性能**
 参考标准: UL IEC
 额定电压: 300V 250V
 额定电流: 8A 7A
 耐电压: AC2000V/1Min



※ **机械性能**
 环境温度: -40°C ~ +105°C

※ **尺寸**
 间距: 5.08mm(.200")
 极数: 2P~12P

※ **材质和电镀**
 塑件: PA66,UL94V-0
 焊针: 黄铜,镀锡
 螺母: M2.5,黄铜



Pitch: 5.08mm; Poles: 2P~12P

APPROVAL :  
 ※ **Electrical**
 Standard : UL IEC
 Rated voltage : 300V 250V
 Rated current : 8A 7A
 Withstanding voltage : AC2000V/1Min

※ **Mechanical**
 Ambient temperature : -40°C ~ +105°C

※ **Dimensions**
 Pitch : 5.08mm(.200")
 Poles : 2P~12P

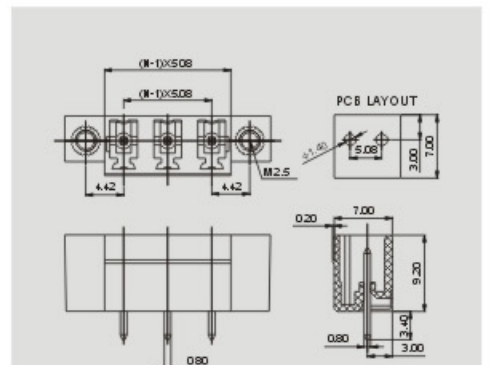
※ **Material**
 Housing : PA66,UL94V-0
 Pin header : Brass,Tin plated

※ **电气性能**
 参考标准: UL IEC
 额定电压: 300V 250V
 额定电流: 8A 7A
 耐电压: AC2000V/1Min

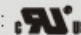

※ **机械性能**
 环境温度: -40°C ~ +105°C

※ **尺寸**
 间距: 5.08mm(.200")
 极数: 2P~12P

※ **材质和电镀**
 塑件: PA66,UL94V-0
 焊针: 黄铜,镀锡



Pitch: 5.08mm; Poles: 2P~12P

APPROVAL :  
 ※ **Electrical**
 Standard : UL IEC
 Rated voltage : 300V 250V
 Rated current : 8A 7A
 Withstanding voltage : AC2000V/1Min

※ **Mechanical**
 Ambient temperature : -40°C ~ +105°C

※ **Dimensions**
 Pitch : 5.08mm(.200")
 Poles : 2P~12P

※ **Material**
 Housing : PA66,UL94V-0
 Pin header : Brass,Tin plated
 Nut : M2.5,Brass

※ **电气性能**
 参考标准: UL IEC
 额定电压: 300V 250V
 额定电流: 8A 7A
 耐电压: AC2000V/1Min

※ **机械性能**
 环境温度: -40°C ~ +105°C

※ **尺寸**
 间距: 5.08mm(.200")
 极数: 2P~12P

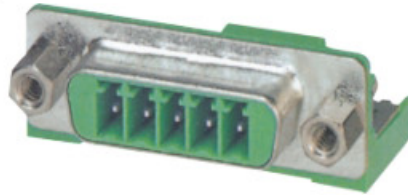
※ **材质和电镀**
 塑件: PA66,UL94V-0
 焊针: 黄铜,镀锡
 螺母: M2.5,黄铜

DEVE-
LOPING



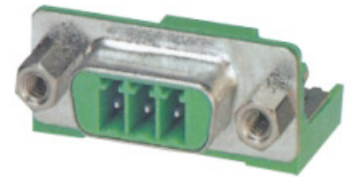
15EDGK-SH-3.5

DEVE-
LOPING

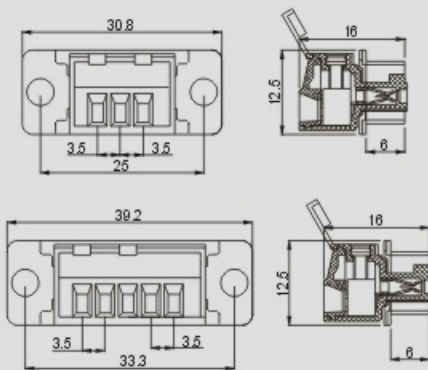


15EDGRC-SH-3.5

DEVE-
LOPING



15EDGRC-SH-PE-3.5



Pitch: 3.5mm; Poles: 3P,5P

APPROVAL

※ **Electrical**

Standard	: UL	IEC
Rated voltage	: 300V	250V
Rated current	: 8A	7A
Wire range	: 28-16AWG 0.5-1.5mm ²	
Withstanding voltage	: AC2000V/1Min	

※ **Mechanical**

Torque	: 0.2Nm(1.7Lb-In.)
Ambient temperature	: -40°C~+105°C
Strip length	: 7mm

※ **Dimensions**

Pitch	: 3.5mm(.138")
Poles	: 3P,5P

※ **Material**

Housing	: PA66,UL94V-0
Screws	: M2,steel,Cr ³⁺ Zn plated
Contact	: Phosphor bronze
Cage	: Brass,Ni plated

※ **电气性能**

参考标准:	UL	IEC
额定电压:	300V	250V
额定电流:	8A	7A
导线线径:	28-16AWG 0.5-1.5mm ²	
耐电压:	AC2000V/1Min	

※ **机械性能**

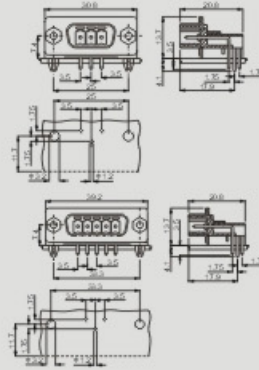
扭力矩:	0.2Nm(1.7Lb-In.)
环境温度:	-40°C~+105°C
剥线长度:	7mm

※ **尺寸**

间距:	3.5mm(.138")
极数:	3P,5P

※ **材质和电镀**

塑件:	PA66,UL94V-0
螺丝:	M2,钢,镀Cr ³⁺ 钝化彩锌
触点材料:	磷青铜
方盒:	黄铜,镀镍



Pitch: 3.5mm; Poles: 3P,5P

APPROVAL

※ **Electrical**

Standard	: UL	IEC
Rated voltage	: 300V	250V
Rated current	: 8A	7A
Withstanding voltage	: AC2000V/1Min	

※ **Mechanical**

Ambient temperature	: -40°C~+105°C
---------------------	----------------

※ **Dimensions**

Pitch	: 3.5mm(.138")
Poles	: 3P,5P

※ **Material**

Housing	: PA66,UL94V-0
Pin header	: Brass,T in plated

※ **电气性能**

参考标准:	UL	IEC
额定电压:	300V	250V
额定电流:	8A	7A
耐电压:	AC2000V/1Min	

※ **机械性能**

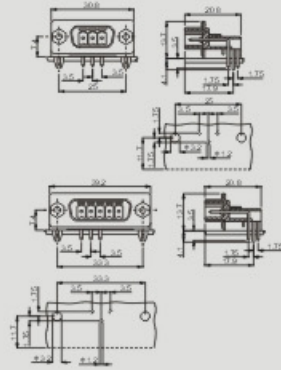
环境温度:	-40°C~+105°C
-------	--------------

※ **尺寸**

间距:	3.5mm(.138")
极数:	3P,5P

※ **材质和电镀**

塑件:	PA66,UL94V-0
焊针:	黄铜,镀锡



Pitch: 3.5mm; Poles: 3P,5P

APPROVAL

※ **Electrical**

Standard	: UL	IEC
Rated voltage	: 300V	250V
Rated current	: 8A	7A
Withstanding voltage	: AC2000V/1Min	

※ **Mechanical**

Ambient temperature	: -40°C~+105°C
---------------------	----------------

※ **Dimensions**

Pitch	: 3.5mm(.138")
Poles	: 3P,5P

※ **Material**

Housing	: PA66,UL94V-0
Pin header	: Brass,T in plated

※ **电气性能**

参考标准:	UL	IEC
额定电压:	300V	250V
额定电流:	8A	7A
耐电压:	AC2000V/1Min	

※ **机械性能**

环境温度:	-40°C~+105°C
-------	--------------

※ **尺寸**

间距:	3.5mm(.138")
极数:	3P,5P

※ **材质和电镀**

塑件:	PA66,UL94V-0
焊针:	黄铜,镀锡



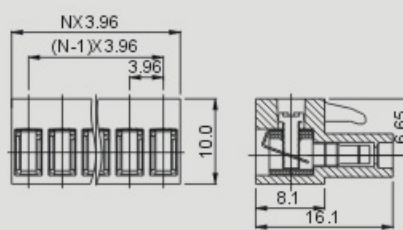
HT396K-3.96



HT396R-3.96

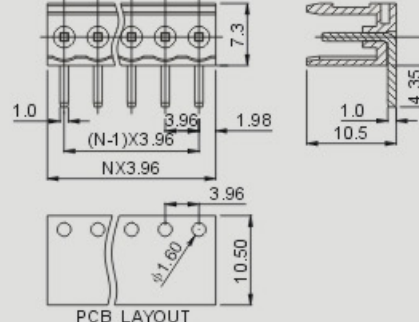


HT396V-3.96



Pitch: 3.96mm; Poles: 2P~24P

APPROVAL	:	CE
※ Electrical		
Standard	:	UL IEC
Rated voltage	:	150V 250V
Rated current	:	8A 15A
Wire range	:	28-14AWG 1.5mm ²
Withstanding voltage	:	AC2000V/1Min
※ Mechanical		
Torque	:	0.2Nm(1.7Lb-In.)
Ambient temperature	:	-40°C~+105°C
Strip length	:	7mm
※ Dimensions		
Pitch	:	3.96mm(.156")
Poles	:	2P~24P
※ Material		
Housing	:	PA66,UL94V-0
Screws	:	M2,steel,Ni plated
Contact	:	Brass
Wire guard	:	Phosphor bronze, Ni plated
※ 电气性能		
参考标准:	UL IEC	
额定电压:	150V 250V	
额定电流:	8A 15A	
导线线径:	28-14AWG 1.5mm ²	
耐电压:	AC2000V/1Min	
※ 机械性能		
扭力矩:	0.2Nm(1.7Lb-In.)	
环境温度:	-40°C~+105°C	
剥线长度:	7mm	
※ 尺寸		
间距:	3.96mm(.156")	
极数:	2P~24P	
※ 材质和电镀		
塑件:	PA66,UL94V-0	
螺丝:	M2,钢,镀镍	
触点材料:	黄铜	
簧片:	磷青铜,镀镍	



Pitch: 3.96mm; Poles: 2P~24P

APPROVAL	:	CE
※ Electrical		
Standard	:	UL IEC
Rated voltage	:	150V 250V
Rated current	:	8A 15A
Withstanding voltage	:	AC2000V/1Min
※ Mechanical		
Ambient temperature	:	-40°C~+105°C
※ Dimensions		
Pitch	:	3.96mm(.156")
Poles	:	2P~24P
※ Material		
Housing	:	PA66,UL94V-0
Pin header	:	Brass,Tin plated
※ 电气性能		
参考标准:	UL IEC	
额定电压:	150V 250V	
额定电流:	8A 15A	
耐电压:	AC2000V/1Min	
※ 机械性能		
环境温度:	-40°C~+105°C	
※ 尺寸		
间距:	3.96mm(.156")	
极数:	2P~24P	
※ 材质和电镀		
塑件:	PA66,UL94V-0	
焊针:	黄铜,镀锡	

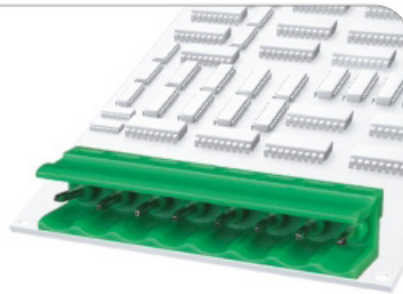


Pitch: 3.96mm; Poles: 2P~24P

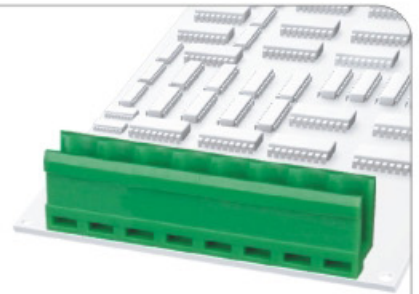
APPROVAL	:	CE
※ Electrical		
Standard	:	UL IEC
Rated voltage	:	150V 250V
Rated current	:	8A 15A
Withstanding voltage	:	AC2000V/1Min
※ Mechanical		
Ambient temperature	:	-40°C~+105°C
※ Dimensions		
Pitch	:	3.96mm(.156")
Poles	:	2P~24P
※ Material		
Housing	:	PA66,UL94V-0
Pin header	:	Brass,Tin plated
※ 电气性能		
参考标准:	UL IEC	
额定电压:	150V 250V	
额定电流:	8A 15A	
耐电压:	AC2000V/1Min	
※ 机械性能		
环境温度:	-40°C~+105°C	
※ 尺寸		
间距:	3.96mm(.156")	
极数:	2P~24P	
※ 材质和电镀		
塑件:	PA66,UL94V-0	
焊针:	黄铜,镀锡	



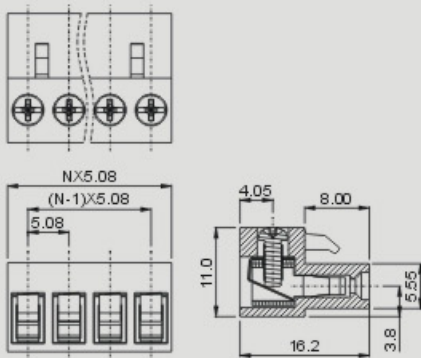
HT508K-5.08




HT508R-5.08



HT508V-5.08



Pitch: 5.08mm; Poles: 2P~24P

APPROVAL : 
 ※ **Electrical**
 Standard : UL IEC
 Rated voltage : 150V 320V
 Rated current : 12A 20A
 Wire range : 24-12AWG 2.5mm²
 Withstanding voltage : AC2500V/1Min

※ **Mechanical**
 Torque : 0.4Nm (3.5Lb-In.)
 Ambient temperature : -40°C ~ +105°C
 Strip length : 7mm

※ **Dimensions**
 Pitch : 5.08mm (.200")
 Poles : 2P~24P

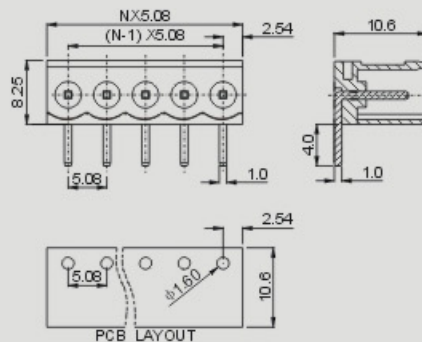
※ **Material**
 Housing : PA66, UL94V-0
 Screws : M2.5, steel, Ni plated
 Contact : Phosphor bronze
 Wire guard : Phosphor bronze, Ni plated

※ **电气性能**
 参考标准: UL IEC
 额定电压: 150V 320V
 额定电流: 12A 20A
 导线线径: 24-12AWG 2.5mm²
 耐电压: AC2500V/1Min


※ **机械性能**
 扭力矩: 0.4Nm (3.5Lb-In.)
 环境温度: -40°C ~ +105°C
 剥线长度: 7mm

※ **尺寸**
 间距: 5.08mm (.200")
 极数: 2P~24P

※ **材质和电镀**
 塑件: PA66, UL94V-0
 螺丝: M2.5, 钢, 镀镍
 触点材料: 磷青铜
 簧片: 磷青铜, 镀镍



Pitch: 5.08mm; Poles: 2P~24P

APPROVAL : 
 ※ **Electrical**
 Standard : UL IEC
 Rated voltage : 150V 320V
 Rated current : 12A 20A
 Withstanding voltage : AC2500V/1Min

※ **Mechanical**
 Ambient temperature : -40°C ~ +105°C

※ **Dimensions**
 Pitch : 5.08mm (.200")
 Poles : 2P~24P

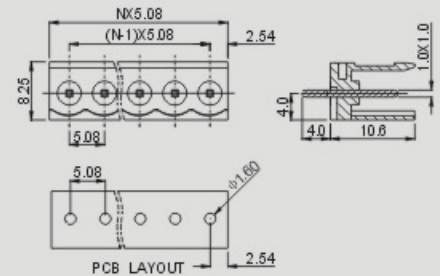
※ **Material**
 Housing : PA66, UL94V-0
 Pin header : Brass, Tin plated

※ **电气性能**
 参考标准: UL IEC
 额定电压: 150V 320V
 额定电流: 12A 20A
 耐电压: AC2500V/1Min


※ **机械性能**
 环境温度: -40°C ~ +105°C

※ **尺寸**
 间距: 5.08mm (.200")
 极数: 2P~24P

※ **材质和电镀**
 塑件: PA66, UL94V-0
 焊针: 黄铜, 镀锡



Pitch: 5.08mm; Poles: 2P~24P

APPROVAL : 
 ※ **Electrical**
 Standard : UL IEC
 Rated voltage : 150V 320V
 Rated current : 12A 20A
 Withstanding voltage : AC2500V/1Min

※ **Mechanical**
 Ambient temperature : -40°C ~ +105°C

※ **Dimensions**
 Pitch : 5.08mm (.200")
 Poles : 2P~24P

※ **Material**
 Housing : PA66, UL94V-0
 Pin header : Brass, Tin plated

※ **电气性能**
 参考标准: UL IEC
 额定电压: 150V 320V
 额定电流: 12A 20A
 耐电压: AC2500V/1Min

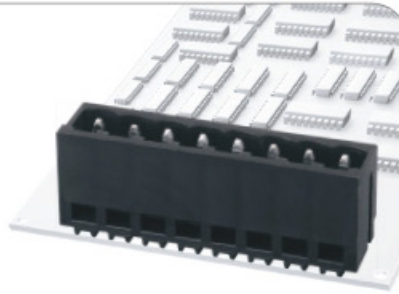
※ **机械性能**
 环境温度: -40°C ~ +105°C

※ **尺寸**
 间距: 5.08mm (.200")
 极数: 2P~24P

※ **材质和电镀**
 塑件: PA66, UL94V-0
 焊针: 黄铜, 镀锡



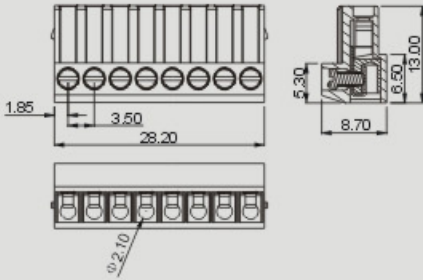
15EDGK-3.5-30A



15EDGVC-3.5-30A



2EDGK-5.0 2EDGK-7.5
2EDGK-5.08 2EDGK-7.62



Pitch: 3.5mm; Poles: 8P,10P

APPROVAL

Standard	: UL	IEC
Rated voltage	: 300V	250V
Rated current	: 8A	7A
Wire range	: 28-16AWG	0.5-1.5mm ²
Withstanding voltage	: AC2000V/1Min	

※ Mechanical

Torque	: 0.2Nm(1.7Lb-In.)
Ambient temperature	: -40°C~ +105°C
Strip length	: 6-7mm

※ Dimensions

Pitch	: 3.5mm(.138")
Poles	: 8P,10P

※ Material

Housing	: PA66,UL94V-0
Screws	: M2,steel,Ni plated
Contact	: Phosphor bronze
Cage	: Brass,Ni plated

※电气性能

参考标准	: UL	IEC
额定电压	: 300V	250V
额定电流	: 8A	7A
导线线径	: 28-16AWG	0.5-1.5mm ²
耐电压	: AC2000V/1Min	

※机械性能

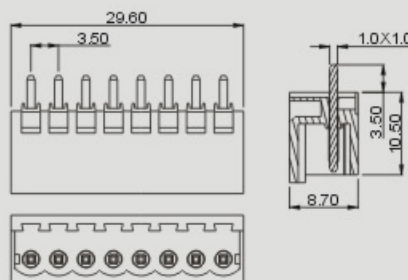
扭力矩	: 0.2Nm(1.7Lb-In.)
环境温度	: -40°C~ +105°C
剥线长度	: 6-7mm

※尺寸

间距	: 3.5mm(.138")
极数	: 8P,10P

※材质和电镀

塑件	: PA66,UL94V-0
螺丝	: M2,钢,镀锌
触点材料	: 磷青铜
方盒	: 黄铜,镀锌



Pitch: 3.5mm; Poles: 8P,10P

APPROVAL

Standard	: UL	IEC
Rated voltage	: 300V	250V
Rated current	: 8A	7A
Withstanding voltage	: AC2000V/1Min	

※ Mechanical

Ambient temperature	: -40°C~ +105°C
---------------------	-----------------

※ Dimensions

Pitch	: 3.5mm(.138")
Poles	: 8P,10P

※ Material

Housing	: PA66,UL94V-0
Pin header	: Brass,T in plated

※电气性能

参考标准	: UL	IEC
额定电压	: 300V	250V
额定电流	: 8A	7A
耐电压	: AC2000V/1Min	

※机械性能

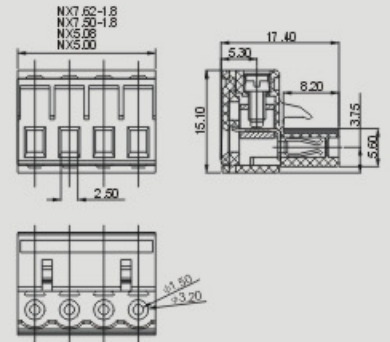
环境温度	: -40°C~ +105°C
------	-----------------

※尺寸

间距	: 3.5mm(.138")
极数	: 8P,10P

※材质和电镀

塑件	: PA66,UL94V-0
焊针	: 黄铜,镀锌



Pitch: 5.0,5.08mm; Poles: 2P~24P
Pitch: 7.5,7.62mm; Poles: 2P~12P

APPROVAL

Standard	: UL	IEC
Rated voltage	: 300V	320V,400V
Rated current	: 15A	20A
Wire range	: 28-12AWG	2.5mm ²
Withstanding voltage	: AC2500V/1Min	

※ Mechanical

Torque	: 0.4Nm(3.5Lb-In.)
Ambient temperature	: -40°C~ +105°C
Strip length	: 7mm

※ Dimensions

Pitch	: 5.0mm(.197")	7.5mm(.295")
	: 5.08mm(.200")	7.62mm(.300")
Poles	: 2P~24P	2P~12P

※ Material

Housing	: PA66,UL94V-0
Screws	: M2.5,steel,Cr ⁺ Znplated
Contact	: Phosphor bronze
Cage	: Brass, Ni plated

※电气性能

参考标准	: UL	IEC
额定电压	: 300V	320V,400V
额定电流	: 15A	20A
导线线径	: 28-12AWG	2.5mm ²
耐电压	: AC2500V/1Min	

※机械性能

扭力矩	: 0.4Nm(3.5Lb-In.)
环境温度	: -40°C~ +105°C
剥线长度	: 7mm

※尺寸

间距	: 5.0mm(.197")	7.5mm(.295")
	: 5.08mm(.200")	7.62mm(.300")
极数	: 2P~24P	2P~12P

※材质和电镀

塑件	: PA66,UL94V-0
螺丝	: M2.5,钢,镀锌Cr ⁺ 钝化彩锌
触点材料	: 磷青铜
方盒	: 黄铜,镀锌



2EDGKM-5.0 2EDGKM-7.5
2EDGKM-5.08 2EDGKM-7.62

DEVE-
LOPING

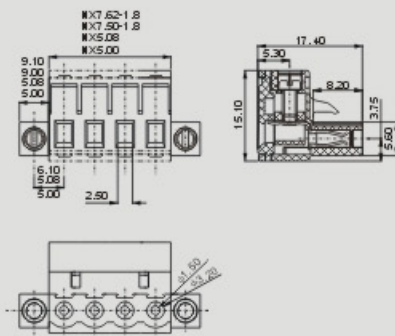


2EDGKG-5.08



DEVE-
LOPING



2EDGKE-5.0
2EDGKE-5.08



Pitch: 5.0, 5.08mm; Poles: 2P~22P
Pitch: 7.5, 7.62mm; Poles: 2P~12P

APPROVAL :  
※Electrical
 Standard : UL IEC
 Rated voltage : 300V 320V, 400V
 Rated current : 15A 20A
 Wire range : 28-12AWG 2.5mm²
 Withstanding voltage : AC2500V/1Min

※Mechanical
 Torque : 0.4Nm (3.5Lb-In.)
 Ambient temperature : -40°C ~ +105°C
 Strip length : 7mm

※Dimensions
 Pitch : 5.0mm (.197") 7.5mm (.295")
 5.08mm (.200") 7.62mm (.300")
 Poles : 2P~22P 2P~12P

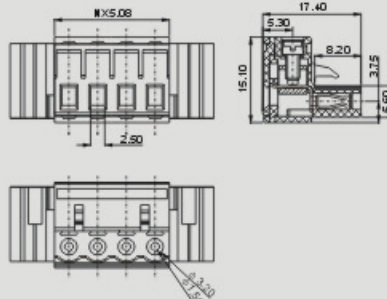
※Material
 Housing : PA66, UL94V-0
 Screws : M2.5, steel, Cr³⁺Zn plated
 Contact : Phosphor bronze
 Cage : Brass, Ni plated

※电气性能
 参考标准: UL IEC
 额定电压: 300V 320V, 400V
 额定电流: 15A 20A
 导线线径: 28-12AWG 2.5mm²
 耐电压: AC2500V/1Min

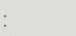
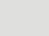
※机械性能
 扭力矩: 0.4Nm (3.5Lb-In.)
 环境温度: -40°C ~ +105°C
 剥线长度: 7mm

※尺寸
 间距: 5.0mm (.197") 7.5mm (.295")
 5.08mm (.200") 7.62mm (.300")
 极数: 2P~22P 2P~12P

※材质和电镀
 塑件: PA66, UL94V-0
 螺丝: M2.5, 钢, 镀Cr³⁺钝化彩锌
 触点材料: 磷青铜
 方盒: 黄铜, 镀镍



Pitch: 5.08mm; Poles: 2P~24P

APPROVAL :  
※Electrical
 Standard : UL IEC
 Rated voltage : 300V 320V
 Rated current : 15A 20A
 Wire range : 28-12AWG 2.5mm²
 Withstanding voltage : AC2500V/1Min

※Mechanical
 Torque : 0.4Nm (3.5Lb-In.)
 Ambient temperature : -40°C ~ +105°C
 Strip length : 7mm

※Dimensions
 Pitch : 5.08mm (.200")
 Poles : 2P~24P

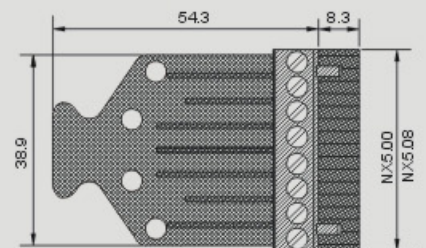
※Material
 Housing : PA66, UL94V-0
 Screws : M2.5, steel, Cr³⁺Zn plated
 Contact : Phosphor bronze
 Cage : Brass, Ni plated

※电气性能
 参考标准: UL IEC
 额定电压: 300V 320V
 额定电流: 15A 20A
 导线线径: 28-12AWG 2.5mm²
 耐电压: AC2500V/1Min

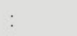
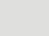
※机械性能
 扭力矩: 0.4Nm (3.5Lb-In.)
 环境温度: -40°C ~ +105°C
 剥线长度: 7mm

※尺寸
 间距: 5.08mm (.200")
 极数: 2P~24P

※材质和电镀
 塑件: PA66, UL94V-0
 螺丝: M2.5, 钢, 镀Cr³⁺钝化彩锌
 触点材料: 磷青铜
 方盒: 黄铜, 镀镍



Pitch: 5.0, 5.08mm; Poles: 2P~24P

APPROVAL :  
※Electrical
 Standard : UL IEC
 Rated voltage : 300V 320V
 Rated current : 15A 20A
 Wire range : 28-12AWG 2.5mm²
 Withstanding voltage : AC2500V/1Min

※Mechanical
 Torque : 0.4Nm (3.5Lb-In.)
 Ambient temperature : -40°C ~ +105°C
 Strip length : 7mm

※Dimensions
 Pitch : 5.0mm (.197") 5.08mm (.200")
 Poles : 2P~24P

※Material
 Housing : PA66, UL94V-0
 Screws : M2.5, steel, Cr³⁺Zn plated
 Contact : Phosphor bronze
 Cage : Brass, Ni plated

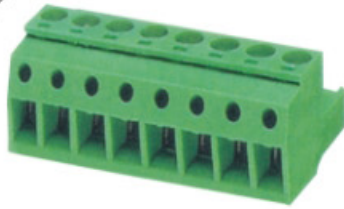
※电气性能
 参考标准: UL IEC
 额定电压: 300V 320V
 额定电流: 15A 20A
 导线线径: 28-12AWG 2.5mm²
 耐电压: AC2500V/1Min

※机械性能
 扭力矩: 0.4Nm (3.5Lb-In.)
 环境温度: -40°C ~ +105°C
 剥线长度: 7mm

※尺寸
 间距: 5.0mm (.197") 5.08mm (.200")
 极数: 2P~24P

※材质和电镀
 塑件: PA66, UL94V-0
 螺丝: M2.5, 钢, 镀Cr³⁺钝化彩锌
 触点材料: 磷青铜
 方盒: 黄铜, 镀镍

DEVE-
LOPING



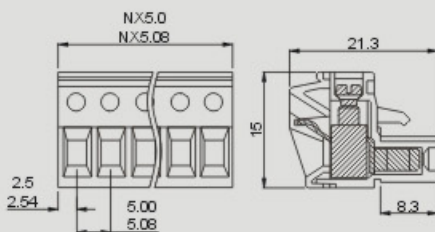
2EDGKT-5.0
2EDGKT-5.08



2EDGKF-5.0
2EDGKF-5.08



2EDGKFM-5.0
2EDGKFM-5.08



Pitch: 5.0,5.08mm; Poles: 2P~24P

APPROVAL :
※ Electrical
 Standard : UL IEC
 Rated voltage : 300V 320V
 Rated current : 15A 20A
 Wire range : 28-12AWG 2.5mm²
 Withstanding voltage : AC2500V/1Min

※ Mechanical
 Torque : 0.4Nm(3.5Lb-In.)
 Ambient temperature : -40°C~+105°C
 Strip length : 7mm

※ Dimensions
 Pitch : 5.0mm(.197")5.08mm(.200")
 Poles : 2P~24P

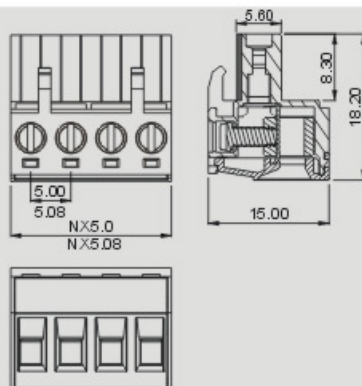
※ Material
 Housing : PA66,UL94V-0
 Screws : M2.5,steel,Cr⁺⁺Znplated
 Contact : Phosphor bronze
 Cage : Brass, Ni plated

※ 电气性能
 参考标准: UL IEC
 额定电压: 300V 320V
 额定电流: 15A 20A
 导线线径: 28-12AWG 2.5mm²
 耐电压: AC2500V/1Min


※ 机械性能
 扭力矩: 0.4Nm(3.5Lb-In.)
 环境温度: -40°C~+105°C
 剥线长度: 7mm

※ 尺寸
 间距: 5.0mm(.197")5.08mm(.200")
 极数: 2P~24P

※ 材质和电镀
 塑件: PA66,UL94V-0
 螺丝: M2.5,铜,镀Cr⁺⁺钝化彩锌
 触点材料: 磷青铜
 方盒: 黄铜,镀镍



Pitch: 5.0,5.08mm; Poles: 2P~18P

APPROVAL : 
※ Electrical
 Standard : UL IEC
 Rated voltage : 300V 320V
 Rated current : 15A 20A
 Wire range : 28-12AWG 2.5mm²
 Withstanding voltage : AC2500V/1Min

※ Mechanical
 Torque : 0.4Nm(3.5Lb-In.)
 Ambient temperature : -40°C~+105°C
 Strip length : 7mm

※ Dimensions
 Pitch : 5.0mm(.197")5.08mm(.200")
 Poles : 2P~18P

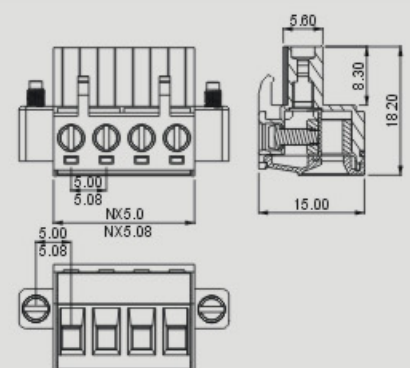
※ Material
 Housing : PA66,UL94V-0
 Screws : M2.5,steel,Cr⁺⁺Znplated
 Contact : Phosphor bronze
 Cage : Brass, Ni plated

※ 电气性能
 参考标准: UL IEC
 额定电压: 300V 320V
 额定电流: 15A 20A
 导线线径: 28-12AWG 2.5mm²
 耐电压: AC2500V/1Min


※ 机械性能
 扭力矩: 0.4Nm(3.5Lb-In.)
 环境温度: -40°C~+105°C
 剥线长度: 7mm

※ 尺寸
 间距: 5.0mm(.197")5.08mm(.200")
 极数: 2P~18P

※ 材质和电镀
 塑件: PA66,UL94V-0
 螺丝: M2.5,铜,镀Cr⁺⁺钝化彩锌
 触点材料: 磷青铜
 方盒: 黄铜,镀镍



Pitch: 5.0,5.08mm; Poles: 2P~18P

APPROVAL : 
※ Electrical
 Standard : UL IEC
 Rated voltage : 300V 320V
 Rated current : 15A 20A
 Wire range : 28-12AWG 2.5mm²
 Withstanding voltage : AC2500V/1Min

※ Mechanical
 Torque : 0.4Nm(3.5Lb-In.)
 Ambient temperature : -40°C~+105°C
 Strip length : 7mm

※ Dimensions
 Pitch : 5.0mm(.197")5.08mm(.200")
 Poles : 2P~18P

※ Material
 Housing : PA66,UL94V-0
 Screws : M2.5,steel,Cr⁺⁺Znplated
 Contact : Phosphor bronze
 Cage : Brass, Ni plated

※ 电气性能
 参考标准: UL IEC
 额定电压: 300V 320V
 额定电流: 15A 20A
 导线线径: 28-12AWG 2.5mm²
 耐电压: AC2500V/1Min

※ 机械性能
 扭力矩: 0.4Nm(3.5Lb-In.)
 环境温度: -40°C~+105°C
 剥线长度: 7mm

※ 尺寸
 间距: 5.0mm(.197")5.08mm(.200")
 极数: 2P~18P

※ 材质和电镀
 塑件: PA66,UL94V-0
 螺丝: M2.5,铜,镀Cr⁺⁺钝化彩锌
 触点材料: 磷青铜
 方盒: 黄铜,镀镍



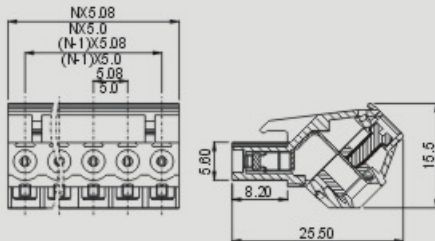
2EDGKL-5.0
2EDGKL-5.08



2EDGKLM-5.0
2EDGKLM-5.08



2EDGKC-5.0
2EDGKC-5.08 2EDGKC-7.62



Pitch: 5.0,5.08mm; Poles: 2P~24P

APPROVAL : In the course of application 

※Electrical

Standard	: UL	IEC
Rated voltage	: 300V	320V
Rated current	: 10A	20A
Wire range	: 24-12AWG	2.5mm ²
Withstanding voltage	: AC2500V/1Min	

※Mechanical

Torque	: 0.4Nm(3.5Lb-In.)
Ambient temperature	: -40°C~+105°C
Strip length	: 7mm

※Dimensions

Pitch	: 5.0mm(.197")5.08mm(.200")
Poles	: 2P~24P

※Material

Housing	: PA66,UL94V-0
Screws	: M2.5,steel,Cr ³⁺ Znplated
Contact	: Phosphor bronze
Cage	: Brass, Ni plated

※电气性能

参考标准	: UL	IEC
额定电压	: 300V	320V
额定电流	: 10A	20A
导线线径	: 24-12AWG	2.5mm ²
耐电压	: AC2500V/1Min	

※机械性能

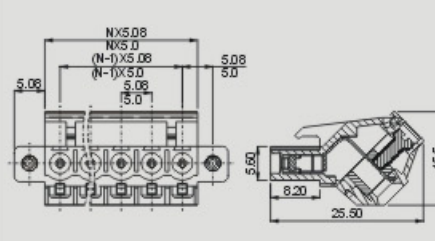
扭力矩	: 0.4Nm(3.5Lb-In.)
环境温度	: -40°C~+105°C
剥线长度	: 7mm

※尺寸


间距	: 5.0mm(.197")5.08mm(.200")
极数	: 2P~24P

※材质和电镀

塑件	: PA66,UL94V-0
螺丝	: M2.5,钢,镀Cr ³⁺ 钝化彩锌
触点材料	: 磷青铜
方盒	: 黄铜,镀镍



Pitch: 5.0,5.08mm; Poles: 2P~22P

APPROVAL : In the course of application 

※Electrical

Standard	: UL	IEC
Rated voltage	: 300V	320V
Rated current	: 10A	20A
Wire range	: 24-12AWG	2.5mm ²
Withstanding voltage	: AC2500V/1Min	

※Mechanical

Torque	: 0.4Nm(3.5Lb-In.)
Ambient temperature	: -40°C~+105°C
Strip length	: 7mm

※Dimensions

Pitch	: 5.0mm(.197")5.08mm(.200")
Poles	: 2P~22P

※Material

Housing	: PA66,UL94V-0
Screws	: M2.5,steel,Cr ³⁺ Znplated
Contact	: Phosphor bronze
Cage	: Brass, Ni plated

※电气性能

参考标准	: UL	IEC
额定电压	: 300V	320V
额定电流	: 10A	20A
导线线径	: 24-12AWG	2.5mm ²
耐电压	: AC2500V/1Min	

※机械性能

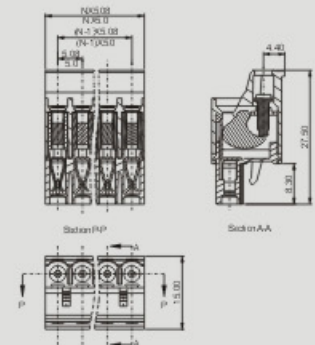
扭力矩	: 0.4Nm(3.5Lb-In.)
环境温度	: -40°C~+105°C
剥线长度	: 7mm

※尺寸



间距	: 5.0mm(.197")5.08mm(.200")
极数	: 2P~22P

※材质和电镀

塑件	: PA66,UL94V-0
螺丝	: M2.5,钢,镀Cr ³⁺ 钝化彩锌
触点材料	: 磷青铜
方盒	: 黄铜,镀镍



Pitch: 5.0,5.08mm; Poles: 2P~24P
Pitch: 7.62mm; Poles: 2P~12P

APPROVAL :  

※Electrical

Standard	: UL	IEC
Rated voltage	: 300V	320V,400V
Rated current	: 10A	20A
Wire range	: 28-12AWG	2.5mm ²
Withstanding voltage	: AC2500V/1Min	

※Mechanical

Torque	: 0.4Nm(3.5Lb-In.)
Ambient temperature	: -40°C~+105°C
Strip length	: 10mm

※Dimensions

Pitch	: 5.0mm(.197")	5.08mm(.200")	7.62mm(.300")
Poles	: 2P~24P		2P~12P

※Material

Housing	: PA66,UL94V-0
Screws	: M2.5,steel,Cr ³⁺ Znplated
Contact	: Phosphor bronze
Cage	: Steel,Cr ³⁺ Znplated

※电气性能

参考标准	: UL	IEC
额定电压	: 300V	320V,400V
额定电流	: 10A	20A
导线线径	: 28-12AWG	2.5mm ²
耐电压	: AC2500V/1Min	

※机械性能

扭力矩	: 0.4Nm(3.5Lb-In.)
环境温度	: -40°C~+105°C
剥线长度	: 10mm

※尺寸

间距	: 5.0mm(.197")	5.08mm(.200")	7.62mm(.300")
极数	: 2P~24P		2P~12P

※材质和电镀

塑件	: PA66,UL94V-0
螺丝	: M2.5,钢,镀Cr ³⁺ 钝化彩锌
触点材料	: 磷青铜
方盒	: 铁,镀Cr ³⁺ 钝化彩锌



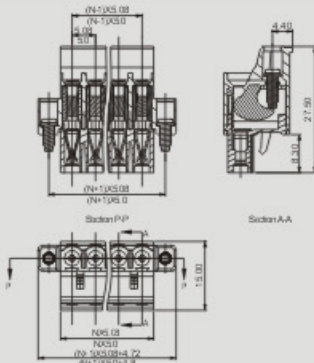
2EDGKCM-5.0
2EDGKCM-5.08 2EDGKCM-7.62





2EDGKA-5.0 2EDGKA-7.5
2EDGKA-5.08 2EDGKA-7.62



2EDGKAM-5.0 2EDGKAM-7.5
2EDGKAM-5.08 2EDGKAM-7.62



Pitch: 5.0, 5.08mm; Poles: 2P~20P
Pitch: 7.62mm; Poles: 2P~12P

APPROVAL :  

※**Electrical**
Standard : UL IEC
Rated voltage : 300V 320V,400V
Rated current : 10A 20A
Wire range : 28-12AWG 2.5mm²
Withstanding voltage : AC2500V/1Min

※**Mechanical**
Torque : 0.4Nm(3.5Lb-In.)
Ambient temperature : -40°C~+105°C
Strip length : 10mm

※**Dimensions**
Pitch : 5.0mm(.197") 5.08mm(.200") 7.62mm(.300")
Poles : 2P~20P 2P~12P

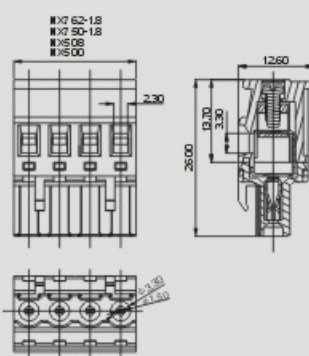
※**Material**
Housing : PA66,UL94V-0
Screws : M2.5,steel,Cr⁺Zn plated
Contact : Phosphor bronze
Cage : Steel,Cr⁺Zn plated

※**电气性能**
参考标准: UL IEC
额定电压: 300V 320V,400V
额定电流: 10A 20A
导线线径: 28-12AWG 2.5mm²
耐电压: AC2500V/1Min

※**机械性能**
扭力矩: 0.4Nm(3.5Lb-In.)
环境温度: -40°C~+105°C
剥线长度: 10mm

※**尺寸**
间距: 5.0mm(.197") 5.08mm(.200") 7.62mm(.300")
极数: 2P~20P 2P~12P

※**材质和电镀**
塑件: PA66,UL94V-0
螺丝: M2.5,钢,镀Cr⁺钝化彩锌
触点材料: 磷青铜
方盒: 铁,镀Cr⁺钝化彩锌



Pitch: 5.0, 5.08mm; Poles: 2P~24P
Pitch: 7.5, 7.62mm; Poles: 2P~12P

APPROVAL :  

※**Electrical**
Standard : UL IEC
Rated voltage : 300V 320V,400V
Rated current : 15A 10A
Wire range : 28-12AWG 2.5mm²
Withstanding voltage : AC2500V/1Min

※**Mechanical**
Torque : 0.4Nm(3.5Lb-In.)
Ambient temperature : -40°C~+105°C
Strip length : 7mm

※**Dimensions**
Pitch : 5.0mm(.197") 7.5mm(.295") 5.08mm(.200") 7.62mm(.300")
Poles : 2P~24P 2P~12P

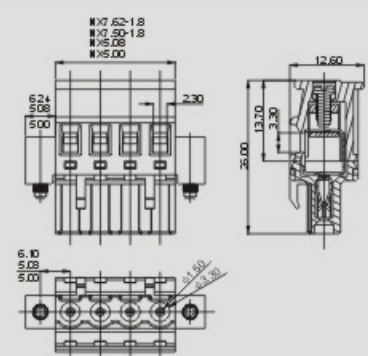
※**Material**
Housing : PA66,UL94V-0
Screws : M2.5,steel,Cr⁺Zn plated
Contact : Phosphor bronze
Cage : Brass, Ni plated

※**电气性能**
参考标准: UL IEC
额定电压: 300V 320V,400V
额定电流: 15A 10A
导线线径: 28-12AWG 2.5mm²
耐电压: AC2500V/1Min



※**机械性能**
扭力矩: 0.4Nm(3.5Lb-In.)
环境温度: -40°C~+105°C
剥线长度: 7mm

※**尺寸**
间距: 5.0mm(.197") 7.5mm(.295") 5.08mm(.200") 7.62mm(.300")
极数: 2P~24P 2P~12P

※**材质和电镀**
塑件: PA66,UL94V-0
螺丝: M2.5,钢,镀Cr⁺钝化彩锌
触点材料: 磷青铜
方盒: 黄铜镀镍



Pitch: 5.0, 5.08mm; Poles: 2P~22P
Pitch: 7.5, 7.62mm; Poles: 2P~12P

APPROVAL :  

※**Electrical**
Standard : UL IEC
Rated voltage : 300V 320V,400V
Rated current : 15A 10A
Wire range : 28-12AWG 2.5mm²
Withstanding voltage : AC2500V/1Min

※**Mechanical**
Torque : 0.4Nm(3.5Lb-In.)
Ambient temperature : -40°C~+105°C
Strip length : 7mm

※**Dimensions**
Pitch : 5.0mm(.197") 7.5mm(.295") 5.08mm(.200") 7.62mm(.300")
Poles : 2P~22P 2P~12P

※**Material**
Housing : PA66,UL94V-0
Screws : M2.5,steel,Cr⁺Zn plated
Contact : Phosphor bronze
Cage : Brass, Ni plated

※**电气性能**
参考标准: UL IEC
额定电压: 300V 320V,400V
额定电流: 15A 10A
导线线径: 28-12AWG 2.5mm²
耐电压: AC2500V/1Min

※**机械性能**
扭力矩: 0.4Nm(3.5Lb-In.)
环境温度: -40°C~+105°C
剥线长度: 7mm

※**尺寸**
间距: 5.0mm(.197") 7.5mm(.295") 5.08mm(.200") 7.62mm(.300")
极数: 2P~22P 2P~12P

※**材质和电镀**
塑件: PA66,UL94V-0
螺丝: M2.5,钢,镀Cr⁺钝化彩锌
触点材料: 磷青铜
方盒: 黄铜镀镍



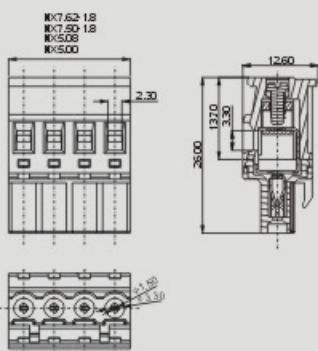
2EDGKB-5.0 2EDGKB-7.5
2EDGKB-5.08 2EDGKB-7.62





2EDGKBM-5.0 2EDGKBM-7.5
2EDGKBM-5.08 2EDGKBM-7.62



2EDGKH-5.08



Pitch: 5.0, 5.08mm; Poles: 2P~24P
Pitch: 7.5, 7.62mm; Poles: 2P~12P

APPROVAL :  
※ Electrical
 Standard : UL IEC
 Rated voltage : 300V 320V, 400V
 Rated current : 15A 10A
 Wire range : 28-12AWG 2.5mm²
 Withstanding voltage : AC2500V/1Min

※ Mechanical
 Torque : 0.4Nm (3.5Lb-In.)
 Ambient temperature : -40°C ~ +105°C
 Strip length : 7mm

※ Dimensions
 Pitch : 5.0mm (.197") 7.5mm (.295")
 5.08mm (.200") 7.62mm (.300")
 Poles : 2P~24P 2P~12P

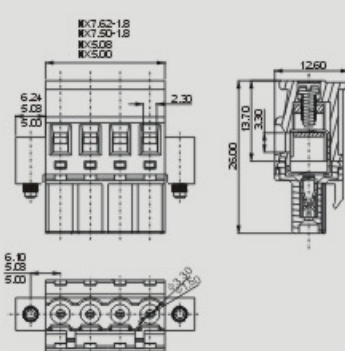
※ Material
 Housing : PA66, UL94V-0
 Screws : M2.5, steel, Cr²⁺ Zn plated
 Contact : Phosphor bronze
 Cage : Brass, Ni plated

※ 电气性能
 参考标准: UL IEC
 额定电压: 300V 320V, 400V
 额定电流: 15A 10A
 导线线径: 28-12AWG 2.5mm²
 耐电压: AC2500V/1Min



※ 机械性能
 扭力矩: 0.4Nm (3.5Lb-In.)
 环境温度: -40°C ~ +105°C
 剥线长度: 7mm

※ 尺寸
 间距: 5.0mm (.197") 7.5mm (.295")
 5.08mm (.200") 7.62mm (.300")
 极数: 2P~24P 2P~12P

※ 材质和电镀
 塑件: PA66, UL94V-0
 螺丝: M2.5, 钢, 镀Cr²⁺钝化彩锌
 触点材料: 磷青铜
 方盒: 黄铜镀镍



Pitch: 5.0, 5.08, mm; Poles: 2P~22P
Pitch: 7.5, 7.62mm; Poles: 2P~12P

APPROVAL :  
※ Electrical
 Standard : UL IEC
 Rated voltage : 300V 320V, 400V
 Rated current : 15A 10A
 Wire range : 28-12AWG 2.5mm²
 Withstanding voltage : AC2500V/1Min

※ Mechanical
 Torque : 0.4Nm (3.5Lb-In.)
 Ambient temperature : -40°C ~ +105°C
 Strip length : 7mm

※ Dimensions
 Pitch : 5.0mm (.197") 7.5mm (.295")
 5.08mm (.200") 7.62mm (.300")
 Poles : 2P~22P 2P~12P

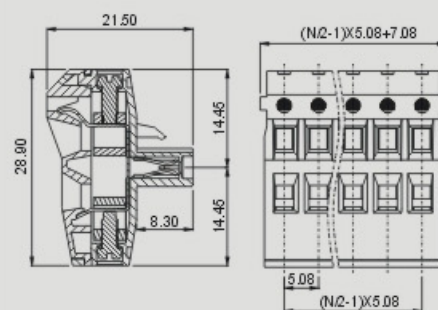
※ Material
 Housing : PA66, UL94V-0
 Screws : M2.5, steel, Cr²⁺ Zn plated
 Contact : Phosphor bronze
 Cage : Brass, Ni plated

※ 电气性能
 参考标准: UL IEC
 额定电压: 300V 320V, 400V
 额定电流: 15A 10A
 导线线径: 28-12AWG 2.5mm²
 耐电压: AC2500V/1Min

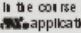


※ 机械性能
 扭力矩: 0.4Nm (3.5Lb-In.)
 环境温度: -40°C ~ +105°C
 剥线长度: 7mm

※ 尺寸
 间距: 5.0mm (.197") 7.5mm (.295")
 5.08mm (.200") 7.62mm (.300")
 极数: 2P~22P 2P~12P

※ 材质和电镀
 塑件: PA66, UL94V-0
 螺丝: M2.5, 钢, 镀Cr²⁺钝化彩锌
 触点材料: 磷青铜
 方盒: 黄铜镀镍



Pitch: 5.08mm; Poles: 2P~12P

APPROVAL :   
※ Electrical
 Standard : UL IEC
 Rated voltage : 300V 320V
 Rated current : 10A 15A
 Wire range : 28-12AWG 2.5mm²
 Withstanding voltage : AC2500V/1Min

※ Mechanical
 Torque : 0.4Nm (3.5Lb-In.)
 Ambient temperature : -40°C ~ +105°C
 Strip length : 10mm

※ Dimensions
 Pitch : 5.08mm (.200")
 Poles : 2P~12P

※ Material
 Housing : PA66, UL94V-0
 Screws : M2.5, steel, Cr²⁺ Zn plated
 Contact : Phosphor bronze
 Cage : Brass, Ni plated

※ 电气性能
 参考标准: UL IEC
 额定电压: 300V 320V
 额定电流: 10A 15A
 导线线径: 28-12AWG 2.5mm²
 耐电压: AC2500V/1Min

※ 机械性能
 扭力矩: 0.4Nm (3.5Lb-In.)
 环境温度: -40°C ~ +105°C
 剥线长度: 10mm

※ 尺寸
 间距: 5.08mm (.200")
 极数: 2P~12P

※ 材质和电镀
 塑件: PA66, UL94V-0
 螺丝: M2.5, 钢, 镀Cr²⁺钝化彩锌
 触点材料: 磷青铜
 方盒: 黄铜镀镍



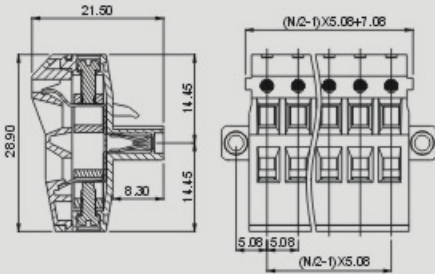
2EDGKHM-5.08




2EDGKR-5.08
2EDGKR-7.62



2EDGKRM-5.08
2EDGKRM-7.62



Pitch: 5.08mm; Poles: 2P~12P

APPROVAL : In the course of application 
※ Electrical
 Standard : UL IEC
 Rated voltage : 300V 320V
 Rated current : 10A 15A
 Wire range : 28-12AWG 2.5mm²
 Withstanding voltage : AC2500V/1Min

※ Mechanical
 Torque : 0.4Nm(3.5Lb-In.)
 Ambient temperature : -40°C ~ +105°C
 Strip length : 10mm

※ Dimensions
 Pitch : 5.08mm(.200")
 Poles : 2P~12P

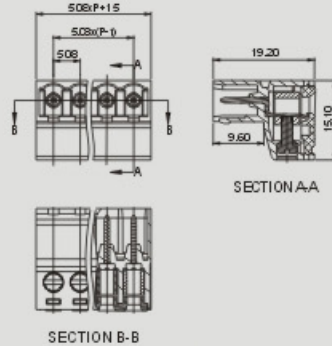
※ Material
 Housing : PA66, UL94V-0
 Screws : M2.5, steel, Cr²⁺ Zn plated
 Contact : Phosphor bronze
 Cage : Brass, Ni plated

※ 电气性能
 参考标准: UL IEC
 额定电压: 300V 320V
 额定电流: 10A 15A
 导线线径: 28-12AWG 2.5mm²
 耐电压: AC2500V/1Min


※ 机械性能
 扭力矩: 0.4Nm(3.5Lb-In.)
 环境温度: -40°C ~ +105°C
 剥线长度: 10mm

※ 尺寸
 间距: 5.08mm(.200")
 极数: 2P~12P

※ 材质和电镀
 塑件: PA66, UL94V-0
 螺丝: M2.5, 钢, 镀Cr²⁺钝化彩锌
 触点材料: 磷青铜
 方盒: 黄铜, 镀镍



Pitch: 5.08mm; Poles: 2P~24P
 Pitch: 7.62mm; Poles: 2P~12P

APPROVAL : 
※ Electrical
 Standard : UL IEC
 Rated voltage : 300V 320V, 400V
 Rated current : 15A 20A
 Wire range : 28-12AWG 2.5mm²
 Withstanding voltage : AC2500V/1Min

※ Mechanical
 Torque : 0.4Nm(3.5Lb-In.)
 Ambient temperature : -40°C ~ +105°C
 Strip length : 7mm

※ Dimensions
 Pitch : 5.08mm(.200") 7.62mm(.300")
 Poles : 2P~24P 2P~12P

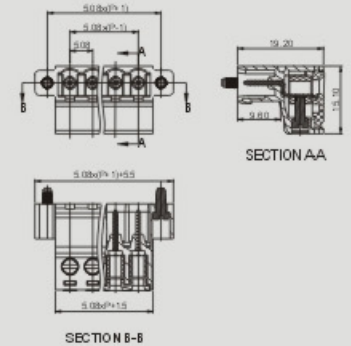
※ Material
 Housing : PA66, UL94V-0
 Screws : M2.5, steel, Cr²⁺ Zn plated
 Contact : Copper
 Cage : Brass, Ni plated

※ 电气性能
 参考标准: UL IEC
 额定电压: 300V 320V, 400V
 额定电流: 15A 20A
 导线线径: 28-12AWG 2.5mm²
 耐电压: AC2500V/1Min


※ 机械性能
 扭力矩: 0.4Nm(3.5Lb-In.)
 环境温度: -40°C ~ +105°C
 剥线长度: 7mm

※ 尺寸
 间距: 5.08mm(.200") 7.62mm(.300")
 极数: 2P~24P 2P~12P

※ 材质和电镀
 塑件: PA66, UL94V-0
 螺丝: M2.5, 钢, 镀Cr²⁺钝化彩锌
 触点材料: 紫铜
 方盒: 黄铜, 镀镍



Pitch: 5.08mm; Poles: 2P~22P
 Pitch: 7.62mm; Poles: 2P~12P

APPROVAL : 
※ Electrical
 Standard : UL IEC
 Rated voltage : 300V 320V, 400V
 Rated current : 15A 20A
 Wire range : 28-12AWG 2.5mm²
 Withstanding voltage : AC2500V/1Min

※ Mechanical
 Torque : 0.4Nm(3.5Lb-In.)
 Ambient temperature : -40°C ~ +105°C
 Strip length : 7mm

※ Dimensions
 Pitch : 5.08mm(.200") 7.62mm(.300")
 Poles : 2P~22P 2P~12P

※ Material
 Housing : PA66, UL94V-0
 Screws : M2.5, steel, Cr²⁺ Zn plated
 Contact : Copper
 Cage : Brass, Ni plated

※ 电气性能
 参考标准: UL IEC
 额定电压: 300V 320V, 400V
 额定电流: 15A 20A
 导线线径: 28-12AWG 2.5mm²
 耐电压: AC2500V/1Min

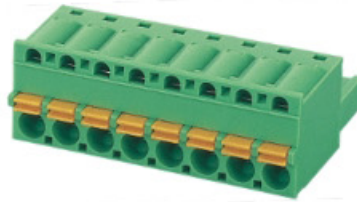
※ 机械性能
 扭力矩: 0.4Nm(3.5Lb-In.)
 环境温度: -40°C ~ +105°C
 剥线长度: 7mm

※ 尺寸
 间距: 5.08mm(.200") 7.62mm(.300")
 极数: 2P~22P 2P~12P

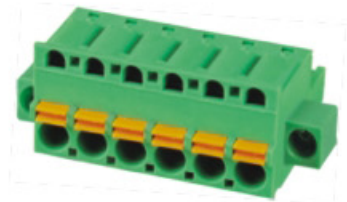
※ 材质和电镀
 塑件: PA66, UL94V-0
 螺丝: M2.5, 钢, 镀Cr²⁺钝化彩锌
 触点材料: 紫铜
 方盒: 黄铜, 镀镍



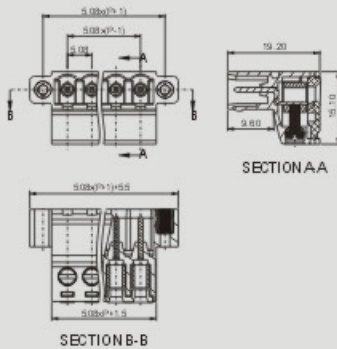
2EDGKRP-5.08
2EDGKRP-7.62




2EDGKD-5.0 2EDGKD-7.5
2EDGKD-5.08 2EDGKD-7.62



2EDGKDM-5.0 2EDGKDM-7.5
2EDGKDM-5.08 2EDGKDM-7.62



Pitch: 5.08mm; Poles: 2P~22P
Pitch: 7.62mm; Poles: 2P~12P

APPROVAL : 
※ Electrical
 Standard : UL IEC
 Rated voltage : 300V 320V,400V
 Rated current : 15A 20A
 Wire range : 28-12AWG 2.5mm²
 Withstanding voltage : AC2500V/1Min

※ Mechanical
 Torque : 0.4Nm(3.5Lb-In.)
 Ambient temperature : -40°C~+105°C
 Strip length : 7mm

※ Dimensions
 Pitch : 5.08mm(.200") 7.62mm(.300")
 Poles : 2P~22P 2P~12P

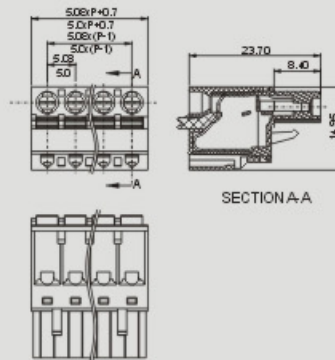
※ Material
 Housing : PA66,UL94V-0
 Contact : Copper
 Cage : Brass, Ni plated
 Nut : M2.5, Brass

※ 电气性能
 参考标准: UL IEC
 额定电压: 300V 320V,400V
 额定电流: 15A 20A
 导线线径: 28-12AWG 2.5mm²
 耐电压: AC2500V/1Min

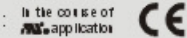
※ 机械性能
 扭力矩: 0.4Nm(3.5Lb-In.)
 环境温度: -40°C~+105°C
 剥线长度: 7mm

※ 尺寸
 间距: 5.08mm(.200") 7.62mm(.300")
 极数: 2P~22P 2P~12P

※ 材质和电镀
 塑件: PA66,UL94V-0
 触点材料: 紫铜
 方盒: 黄铜,镀镍
 螺母: M2.5,黄铜



Pitch: 5.0,5.08mm; Poles: 2P~16P
Pitch: 7.5,7.62mm; Poles: 2P-12P

APPROVAL : 
※ Electrical
 Standard : UL IEC
 Rated voltage : 300V 320V,400V
 Rated current : 10A 20A
 Wire range : 26-12AWG 2.5mm²
 Withstanding voltage : AC2500V/1Min

※ Mechanical
 Ambient temperature : -40°C~+105°C
 Strip length : 10mm

※ Dimensions
 Pitch : 5.0mm(.197") 7.5mm(.295")
 5.08mm(.200") 7.62mm(.300")
 Poles : 2P~16P 2P~12P

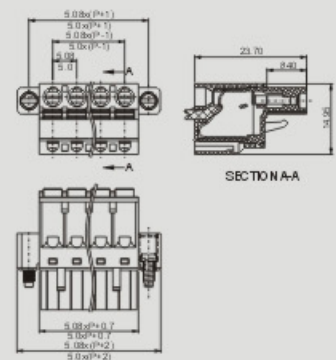
※ Material
 Housing : PA66,UL94V-0
 Contact : Phosphor bronze
 Wire guard : Stainless steel

※ 电气性能
 参考标准: UL IEC
 额定电压: 300V 320V,400V
 额定电流: 10A 20A
 导线线径: 26-12AWG 2.5mm²
 耐电压: AC2500V/1Min

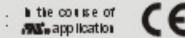
※ 机械性能
 环境温度: -40°C~+105°C
 剥线长度: 10mm

※ 尺寸
 间距: 5.0mm(.197") 7.5mm(.295")
 5.08mm(.200") 7.62mm(.300")
 极数: 2P~16P 2P~12P

※ 材质和电镀
 塑件: PA66,UL94V-0
 触点材料: 磷青铜
 簧片: 不锈钢



Pitch: 5.0,5.08mm; Poles: 2P~16P
Pitch: 7.5,7.62mm; Poles: 2P-12P

APPROVAL : 
※ Electrical
 Standard : UL IEC
 Rated voltage : 300V 320V,400V
 Rated current : 10A 20A
 Wire range : 26-12AWG 2.5mm²
 Withstanding voltage : AC2500V/1Min

※ Mechanical
 Ambient temperature : -40°C~+105°C
 Strip length : 10mm

※ Dimensions
 Pitch : 5.0mm(.197") 7.5mm(.295")
 5.08mm(.200") 7.62mm(.300")
 Poles : 2P~16P 2P~12P

※ Material
 Housing : PA66,UL94V-0
 Contact : Phosphor bronze
 Wire guard : Stainless steel

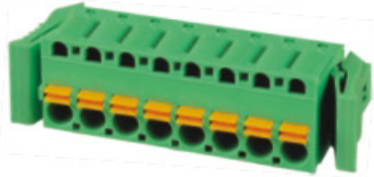
※ 电气性能
 参考标准: UL IEC
 额定电压: 300V 320V,400V
 额定电流: 10A 20A
 导线线径: 26-12AWG 2.5mm²
 耐电压: AC2500V/1Min

※ 机械性能
 环境温度: -40°C~+105°C
 剥线长度: 10mm

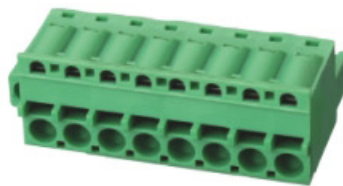
※ 尺寸
 间距: 5.0mm(.197") 7.5mm(.295")
 5.08mm(.200") 7.62mm(.300")
 极数: 2P~16P 2P~12P

※ 材质和电镀
 塑件: PA66,UL94V-0
 触点材料: 磷青铜
 簧片: 不锈钢

DEVELOPING



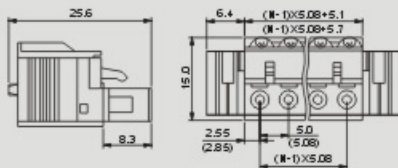
2EDGKDG-5.08



**2EDGKDW-5.0
2EDGKDW-5.08**



**2EDGKDW-5.0
2EDGKDW-5.08**



Pitch: 5.08mm; Poles: 2P~16P

APPROVAL

※ **Electrical**
Standard : UL IEC
Rated voltage : 300V 320V
Rated current : 10A 20A
Wire range : 26-12AWG 2.5mm²
Withstanding voltage : AC2500V/1Min

※ **Mechanical**

Ambient temperature : -40°C~+105°C
Strip length : 10 mm

※ **Dimensions**

Pitch : 5.08mm(.200")
Poles : 2P~16P

※ **Material**

Housing : PA66,UL94V-0
Contact : Phosphor bronze
Wire guard : Stainless steel

※ **电气性能**

参考标准: UL IEC
额定电压: 300V 320V
额定电流: 10A 20A
导线线径: 26-12AWG 2.5mm²
耐电压: AC2500V/1Min

※ **机械性能**

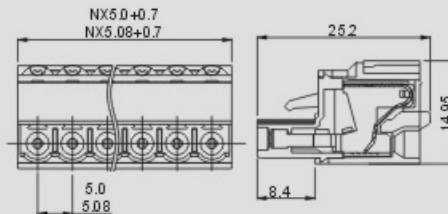
环境温度: -40°C~+105°C
剥线长度: 10mm

※ **尺寸**

间距: 5.08mm(.200")
极数: 2P~16P

※ **材质和电镀**

塑件: PA66,UL94V-0
触点材料: 磷青铜
簧片: 不锈钢



Pitch: 5.0,5.08mm; Poles: 2P~18P

APPROVAL

※ **Electrical**
Standard : UL IEC
Rated voltage : 300V 320V
Rated current : 10A 20A
Wire range : 26-12AWG 2.5mm²
Withstanding voltage : AC2500V/1Min

※ **Mechanical**

Ambient temperature : -40°C~+105°C
Strip length : 10 mm

※ **Dimensions**

Pitch : 5.0mm(.197") 5.08mm(.200")
Poles : 2P~18P

※ **Material**

Housing : PA66,UL94V-0
Contact : Phosphor bronze
Wire guard : Stainless steel

※ **电气性能**

参考标准: UL IEC
额定电压: 300V 320V
额定电流: 10A 20A
导线线径: 26-12AWG 2.5mm²
耐电压: AC2500V/1Min

※ **机械性能**

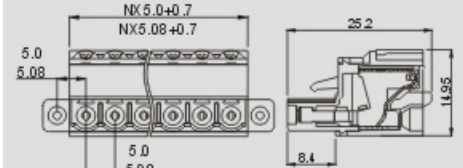
环境温度: -40°C~+105°C
剥线长度: 10mm

※ **尺寸**

间距: 5.0mm(.197") 5.08mm(.200")
极数: 2P~18P

※ **材质和电镀**

塑件: PA66,UL94V-0
触点材料: 磷青铜
簧片: 不锈钢



Pitch: 5.0,5.08mm; Poles: 2P~16P

APPROVAL

※ **Electrical**
Standard : UL IEC
Rated voltage : 300V 320V
Rated current : 10A 20A
Wire range : 26-12AWG 2.5mm²
Withstanding voltage : AC2500V/1Min

※ **Mechanical**

Ambient temperature : -40°C~+105°C
Strip length : 10 mm

※ **Dimensions**

Pitch : 5.0mm(.197") 5.08mm(.200")
Poles : 2P~16P

※ **Material**

Housing : PA66,UL94V-0
Contact : Phosphor bronze
Wire guard : Stainless steel

※ **电气性能**

参考标准: UL IEC
额定电压: 300V 320V
额定电流: 10A 20A
导线线径: 26-12AWG 2.5mm²
耐电压: AC2500V/1Min

※ **机械性能**

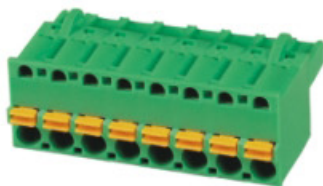
环境温度: -40°C~+105°C
剥线长度: 10mm

※ **尺寸**

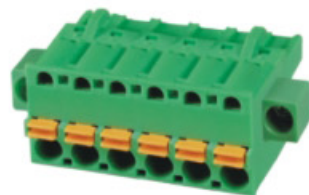
间距: 5.0mm(.197") 5.08mm(.200")
极数: 2P~16P

※ **材质和电镀**

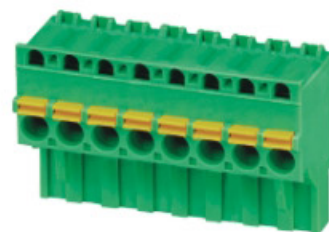
塑件: PA66,UL94V-0
触点材料: 磷青铜
簧片: 不锈钢



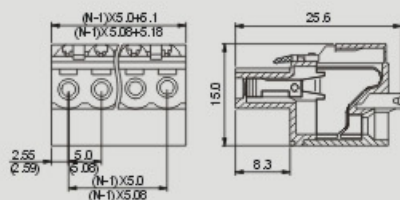
2EDGKDF-5.0
2EDGKDF-5.08



2EDGKDFM-5.0
2EDGKDFM-5.08



2EDGKDA-5.0
2EDGKDA-5.08



Pitch: 5.08, 5.08mm; Poles: 2P~18P

APPROVAL

※ Electrical		
Standard	: UL	IEC
Rated voltage	: 300V	320V
Rated current	: 10A	20A
Wire range	: 26-12AWG	2.5mm ²
Withstanding voltage	: AC2500V/1Min	

※ **Mechanical**

Ambient temperature: -40°C~ +105°C
Strip length: 10 mm

※ **Dimensions**

Pitch: 5.0mm (.197") 5.08mm (.200")
Poles: 2P~18P

※ **Material**

Housing: PA66, UL94V-0
Contact: Phosphor bronze
Wire guard: Stainless steel

※ **电气性能**

参考标准:	UL	IEC
额定电压:	300V	320V
额定电流:	10A	20A
导线线径:	26-12AWG	2.5mm ²
耐电压:	AC2500V/1Min	

※ **机械性能**

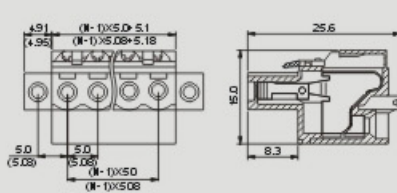
环境温度: -40°C~ +105°C
剥线长度: 10mm

※ **尺寸**

间距: 5.0mm (.197") 5.08mm (.200")
极数: 2P~18P

※ **材质和电镀**

塑件: PA66, UL94V-0
触点材料: 磷青铜
簧片: 不锈钢



Pitch: 5.0, 5.08mm; Poles: 2P~16P

APPROVAL

※ Electrical		
Standard	: UL	IEC
Rated voltage	: 300V	320V
Rated current	: 10A	20A
Wire range	: 26-12AWG	2.5mm ²
Withstanding voltage	: AC2500V/1Min	

※ **Mechanical**

Ambient temperature: -40°C~ +105°C
Strip length: 10 mm

※ **Dimensions**

Pitch: 5.0mm (.197") 5.08mm (.200")
Poles: 2P~16P

※ **Material**

Housing: PA66, UL94V-0
Contact: Phosphor bronze
Wire guard: Stainless steel

※ **电气性能**

参考标准:	UL	IEC
额定电压:	300V	320V
额定电流:	10A	20A
导线线径:	26-12AWG	2.5mm ²
耐电压:	AC2500V/1Min	

※ **机械性能**

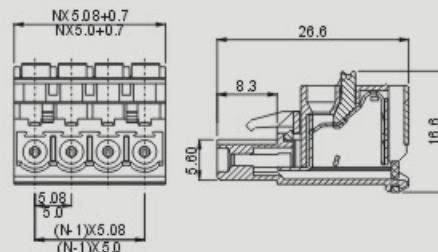
环境温度: -40°C~ +105°C
剥线长度: 10mm

※ **尺寸**

间距: 5.0mm (.197") 5.08mm (.200")
极数: 2P~16P


※ **材质和电镀**

塑件: PA66, UL94V-0
触点材料: 磷青铜
簧片: 不锈钢



Pitch: 5.0, 5.08mm; Poles: 2P~18P

APPROVAL

※ Electrical			in the case of application	
Standard	: UL	IEC		
Rated voltage	: 300V	320V		
Rated current	: 10A	20A		
Wire range	: 26-12AWG	2.5mm ²		
Withstanding voltage	: AC2500V/1Min			

※ **Mechanical**

Ambient temperature: -40°C~ +105°C
Strip length: 10 mm

※ **Dimensions**

Pitch: 5.0mm (.197") 5.08mm (.200")
Poles: 2P~18P

※ **Material**

Housing: PA66, UL94V-0
Contact: Phosphor bronze
Wire guard: Stainless steel

※ **电气性能**

参考标准:	UL	IEC
额定电压:	300V	320V
额定电流:	10A	20A
导线线径:	26-12AWG	2.5mm ²
耐电压:	AC2500V/1Min	

※ **机械性能**

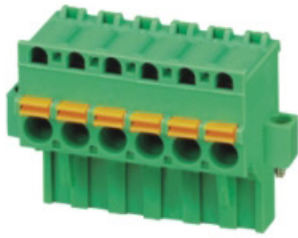
环境温度: -40°C~ +105°C
剥线长度: 10mm

※ **尺寸**

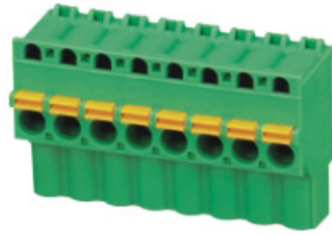
间距: 5.0mm (.197") 5.08mm (.200")
极数: 2P~18P

※ **材质和电镀**

塑件: PA66, UL94V-0
触点材料: 磷青铜
簧片: 不锈钢



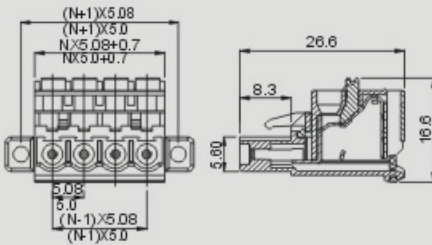
2EDGKDAM-5.0
2EDGKDAM-5.08




2EDGKDB-5.0
2EDGKDB-5.08



2EDGKDBM-5.0
2EDGKDBM-5.08



Pitch: 5.0,5.08mm; Poles: 2P~16P

APPROVAL : In the course of application 
※Electrical
 Standard : UL IEC
 Rated voltage : 300V 320V
 Rated current : 10A 20A
 Wire range : 26-12AWG 2.5mm²
 Withstanding voltage : AC2500V/1Min

※Mechanical
 Ambient temperature : -40°C~ +105°C
 Strip length : 10 mm

※Dimensions
 Pitch : 5.0mm(.197") 5.08mm(.200")
 Poles : 2P~16P

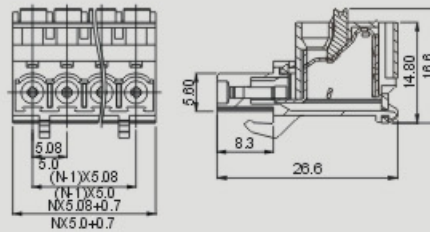
※Material
 Housing : PA66,UL94V-0
 Contact : Phosphor bronze
 Wire guard : Stainless steel

※电气性能
 参考标准: UL IEC
 额定电压: 300V 320V
 额定电流: 10A 20A
 导线线径: 26-12AWG 2.5mm²
 耐电压: AC2500V/1Min


※机械性能
 环境温度: -40°C~ +105°C
 剥线长度: 10mm

※尺寸
 间距: 5.0mm(.197") 5.08mm(.200")
 极数: 2P~16P

※材质和电镀
 塑件: PA66,UL94V-0
 触点材料: 磷青铜
 簧片: 不锈钢



Pitch: 5.0,5.08mm; Poles: 2P~18P

APPROVAL : In the course of application 
※Electrical
 Standard : UL IEC
 Rated voltage : 300V 320V
 Rated current : 10A 20A
 Wire range : 26-12AWG 2.5mm²
 Withstanding voltage : AC2500V/1Min

※Mechanical
 Ambient temperature : -40°C~ +105°C
 Strip length : 10 mm

※Dimensions
 Pitch : 5.0mm(.197") 5.08mm(.200")
 Poles : 2P~18P

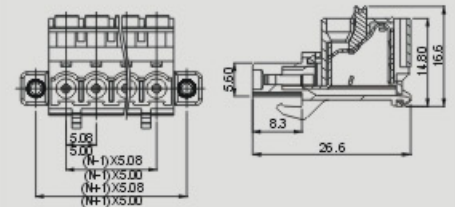
※Material
 Housing : PA66,UL94V-0
 Contact : Phosphor bronze
 Wire guard : Stainless steel

※电气性能
 参考标准: UL IEC
 额定电压: 300V 320V
 额定电流: 10A 20A
 导线线径: 26-12AWG 2.5mm²
 耐电压: AC2500V/1Min


※机械性能
 环境温度: -40°C~ +105°C
 剥线长度: 10mm

※尺寸
 间距: 5.0mm(.197") 5.08mm(.200")
 极数: 2P~18P

※材质和电镀
 塑件: PA66,UL94V-0
 触点材料: 磷青铜
 簧片: 不锈钢



Pitch: 5.0,5.08mm; Poles: 2P~16P

APPROVAL : In the course of application 
※Electrical
 Standard : UL IEC
 Rated voltage : 300V 320V
 Rated current : 10A 20A
 Wire range : 26-12AWG 2.5mm²
 Withstanding voltage : AC2500V/1Min

※Mechanical
 Ambient temperature : -40°C~ +105°C
 Strip length : 10 mm

※Dimensions
 Pitch : 5.0mm(.197") 5.08mm(.200")
 Poles : 2P~16P

※Material
 Housing : PA66,UL94V-0
 Contact : Phosphor bronze
 Wire guard : Stainless steel

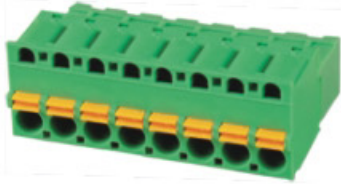
※电气性能
 参考标准: UL IEC
 额定电压: 300V 320V
 额定电流: 10A 20A
 导线线径: 26-12AWG 2.5mm²
 耐电压: AC2500V/1Min

※机械性能
 环境温度: -40°C~ +105°C
 剥线长度: 10mm

※尺寸
 间距: 5.0mm(.197") 5.08mm(.200")
 极数: 2P~16P

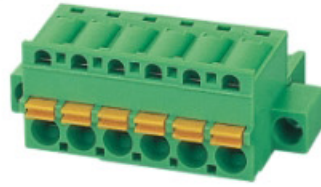
※材质和电镀
 塑件: PA66,UL94V-0
 触点材料: 磷青铜
 簧片: 不锈钢

DEVE-
LOPING



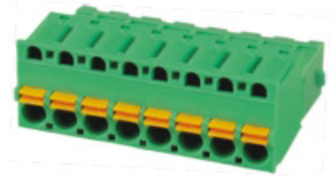
2EDGKDR-5.0
2EDGKDR-5.08

DEVE-
LOPING

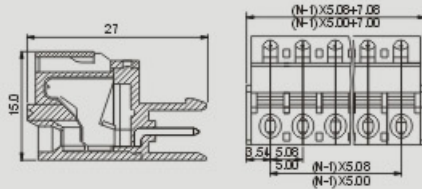


2EDGKDRM-5.0
2EDGKDRM-5.08

DEVE-
LOPING



2EDGKDRN-5.08



Pitch: 5.0, 5.08mm; Poles: 2P~18P

APPROVAL

※ Electrical		
Standard	UL	IEC
Rated voltage	300V	320V
Rated current	10A	20A
Wire range	26-12AWG 2.5mm ²	
Withstanding voltage	AC2500V/1Min	

※ **Mechanical**

Ambient temperature: -40°C~+105°C
Strip length: 10mm

※ **Dimensions**

Pitch: 5.0mm(.197") 5.08mm(.200")
Poles: 2P~18P

※ **Material**

Housing: PA66, UL94V-0
Contact: Phosphor bronze
Wire guard: Stainless steel

※ **电气性能**

参考标准: UL IEC
额定电压: 300V 320V
额定电流: 10A 20A
导线线径: 26-12AWG 2.5mm²
耐电压: AC2500V/1Min

※ **机械性能**

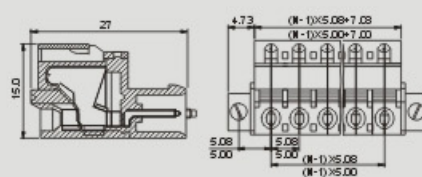
环境温度: -40°C~+105°C
剥线长度: 10mm

※ **尺寸**

间距: 5.0mm(.197") 5.08mm(.200")
极数: 2P~18P

※ **材质和电镀**

塑件: PA66, UL94V-0
触点材料: 磷青铜
簧片: 不锈钢



Pitch: 5.0, 5.08mm; Poles: 2P~16P

APPROVAL

※ Electrical		
Standard	UL	IEC
Rated voltage	300V	320V
Rated current	10A	20A
Wire range	26-12AWG 2.5mm ²	
Withstanding voltage	AC2500V/1Min	

※ **Mechanical**

Ambient temperature: -40°C~+105°C
Strip length: 10mm

※ **Dimensions**

Pitch: 5.0mm(.197") 5.08mm(.200")
Poles: 2P~16P

※ **Material**

Housing: PA66, UL94V-0
Contact: Phosphor bronze
Wire guard: Stainless steel

※ **电气性能**

参考标准: UL IEC
额定电压: 300V 320V
额定电流: 10A 20A
导线线径: 26-12AWG 2.5mm²
耐电压: AC2500V/1Min

※ **机械性能**

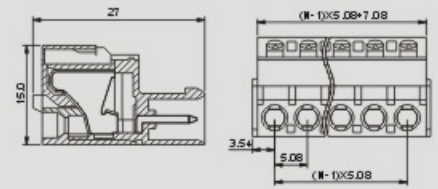
环境温度: -40°C~+105°C
剥线长度: 10mm

※ **尺寸**

间距: 5.0mm(.197") 5.08mm(.200")
极数: 2P~16P

※ **材质和电镀**

塑件: PA66, UL94V-0
触点材料: 磷青铜
簧片: 不锈钢



Pitch: 5.08mm; Poles: 2P~16P

APPROVAL

※ Electrical		
Standard	UL	IEC
Rated voltage	300V	320V
Rated current	10A	20A
Wire range	26-12AWG 2.5mm ²	
Withstanding voltage	AC2500V/1Min	

※ **Mechanical**

Ambient temperature: -40°C~+105°C
Strip length: 10mm

※ **Dimensions**

Pitch: 5.08mm(.200")
Poles: 2P~16P

※ **Material**

Housing: PA66, UL94V-0
Contact: Phosphor bronze
Wire guard: Stainless steel

※ **电气性能**

参考标准: UL IEC
额定电压: 300V 320V
额定电流: 10A 20A
导线线径: 26-12AWG 2.5mm²
耐电压: AC2500V/1Min

※ **机械性能**

环境温度: -40°C~+105°C
剥线长度: 10mm

※ **尺寸**

间距: 5.08mm(.200")
极数: 2P~16P

※ **材质和电镀**

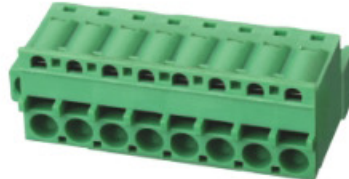
塑件: PA66, UL94V-0
触点材料: 磷青铜
簧片: 不锈钢

DEVE-
LOPING



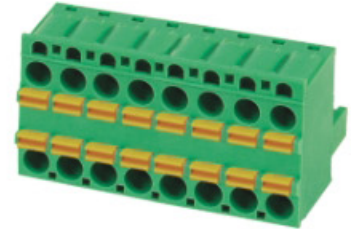
2EDGKDRW-5.0
2EDGKDRW-5.08

DEVE-
LOPING

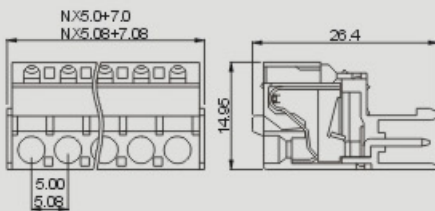


2EDGKDRWM-5.0
2EDGKDRWM-5.08

DEVE-
LOPING



2EDGKDH-5.08



Pitch: 5.0, 5.08mm; Poles: 2P~16P

APPROVAL

Standard	: UL	IEC
Rated voltage	: 300V	320V
Rated current	: 10A	20A
Wire range	: 26-12AWG	2.5mm ²
Withstanding voltage	: AC2500V/1 Min	

※ Mechanical

Ambient temperature	: -40°C ~ +105°C
Strip length	: 10 mm

※ Dimensions

Pitch	: 5.0mm (.197") 5.08mm (.200")
Poles	: 2P~16P

※ Material

Housing	: PA66, UL94V-0
Contact	: Phosphor bronze
Wire guard	: Stainless steel

※ 电气性能

参考标准	: UL	IEC
额定电压	: 300V	320V
额定电流	: 10A	20A
导线线径	: 26-12AWG	2.5mm ²
耐电压	: AC2500V/1Min	

※ 机械性能

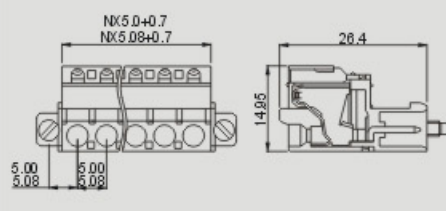
环境温度	: -40°C ~ +105°C
剥线长度	: 10mm

※ 尺寸

间距	: 5.0mm (.197") 5.08mm (.200")
极数	: 2P~16P

※ 材质和电镀

塑件	: PA66, UL94V-0
触点材料	: 磷青铜
簧片	: 不锈钢



Pitch: 5.0, 5.08mm; Poles: 2P~16P

APPROVAL

Standard	: UL	IEC
Rated voltage	: 300V	320V
Rated current	: 10A	20A
Wire range	: 26-12AWG	2.5mm ²
Withstanding voltage	: AC2500V/1 Min	

※ Mechanical

Ambient temperature	: -40°C ~ +105°C
Strip length	: 10 mm

※ Dimensions

Pitch	: 5.0mm (.197") 5.08mm (.200")
Poles	: 2P~16P

※ Material

Housing	: PA66, UL94V-0
Contact	: Phosphor bronze
Wire guard	: Stainless steel

※ 电气性能

参考标准	: UL	IEC
额定电压	: 300V	320V
额定电流	: 10A	20A
导线线径	: 26-12AWG	2.5mm ²
耐电压	: AC2500V/1Min	

※ 机械性能

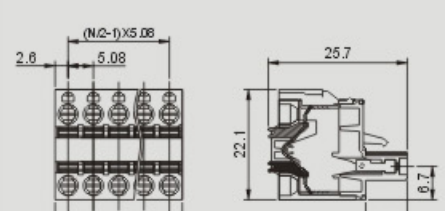
环境温度	: -40°C ~ +105°C
剥线长度	: 10mm

※ 尺寸

间距	: 5.0mm (.197") 5.08mm (.200")
极数	: 2P~16P

※ 材质和电镀

塑件	: PA66, UL94V-0
触点材料	: 磷青铜
簧片	: 不锈钢



Pitch: 5.08mm; Poles: 2P~12P

APPROVAL

Standard	: UL	IEC
Rated voltage	: 300V	320V
Rated current	: 10A	20A
Wire range	: 26-12AWG	2.5mm ²
Withstanding voltage	: AC2500V/1 Min	

※ Mechanical

Ambient temperature	: -40°C ~ +105°C
Strip length	: 10 mm

※ Dimensions

Pitch	: 5.08mm (.200")
Poles	: 2P~12P

※ Material

Housing	: PA66, UL94V-0
Contact	: Phosphor bronze
Wire guard	: Stainless steel

※ 电气性能

参考标准	: UL	IEC
额定电压	: 300V	320V
额定电流	: 10A	20A
导线线径	: 26-12AWG	2.5mm ²
耐电压	: AC2500V/1Min	

※ 机械性能

环境温度	: -40°C ~ +105°C
剥线长度	: 10mm

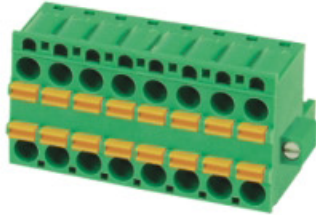
※ 尺寸

间距	: 5.08mm (.200")
极数	: 2P~12P

※ 材质和电镀

塑件	: PA66, UL94V-0
触点材料	: 磷青铜
簧片	: 不锈钢

DEVE-
LOPING



2EDGKDHM-5.08

DEVE-
LOPING

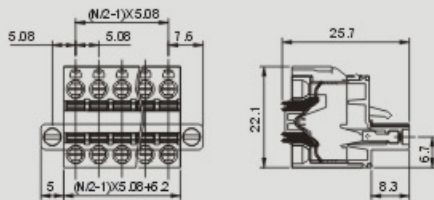


2EDGR-THT-5.08

DEVE-
LOPING



2EDGRC-THT-5.08



Pitch: 5.08mm; Poles: 2P~12P

APPROVAL

※Electrical			
Standard	: UL	IEC	
Rated voltage	: 300V	320V	
Rated current	: 10A	20A	
Wire range	: 26-12AWG 2.5mm ²		
Withstanding voltage	: AC2500V/1Min		

※Mechanical

Ambient temperature: -40°C~+105°C
Strip length: 10mm

※Dimensions

Pitch: 5.08mm(.200")
Poles: 2P~12P

※Material

Housing: PA66,UL94V-0
Contact: Phosphor bronze
Wire guard: Stainless steel

※电气性能

参考标准:	UL	IEC
额定电压:	300V	320V
额定电流:	10A	20A
导线线径:	26-12AWG 2.5mm ²	
耐电压:	AC2500V/1Min	

※机械性能

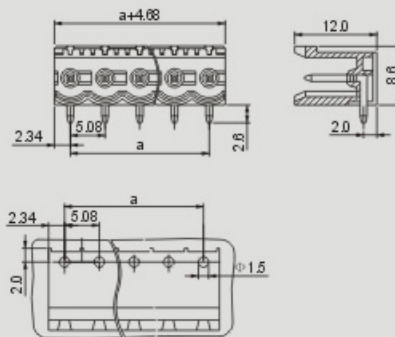
环境温度: -40°C~+105°C
剥线长度: 10mm

※尺寸

间距: 5.08mm(.200")
极数: 2P~12P

※材质和电镀

塑件: PA66,UL94V-0
触点材料: 磷青铜
簧片: 不锈钢



Pitch: 5.08mm; Poles: 2P~12P

APPROVAL

※Electrical			
Standard	: UL	IEC	
Rated voltage	: 300V	320V	
Rated current	: 15A	20A	
Withstanding voltage	: AC2500V/1Min		

※Mechanical

Ambient temperature: -40°C~+140°C

※Dimensions

Pitch: 5.08mm(.200")
Poles: 2P~12P

※Material

Housing: PA46,UL94V-0
Pin header: Brass,T in plated

※电气性能

参考标准:	UL	IEC
额定电压:	300V	320V
额定电流:	15A	20A
耐电压:	AC2500V/1Min	

※机械性能

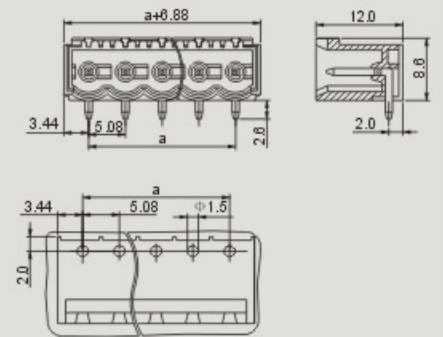
环境温度: -40°C~+140°C

※尺寸

间距: 5.08mm(.200")
极数: 2P~12P

※材质和电镀

塑件: PA46,UL94V-0
焊针: 黄铜,镀锡



Pitch: 5.08mm; Poles: 2P~12P

APPROVAL

※Electrical			
Standard	: UL	IEC	
Rated voltage	: 300V	320V	
Rated current	: 15A	20A	
Withstanding voltage	: AC2500V/1Min		

※Mechanical

Ambient temperature: -40°C~+140°C

※Dimensions

Pitch: 5.08mm(.200")
Poles: 2P~12P

※Material

Housing: PA46,UL94V-0
Pin header: Brass,T in plated

※电气性能

参考标准:	UL	IEC
额定电压:	300V	320V
额定电流:	15A	20A
耐电压:	AC2500V/1Min	

※机械性能

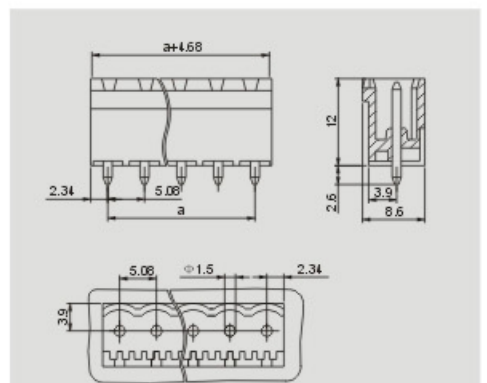
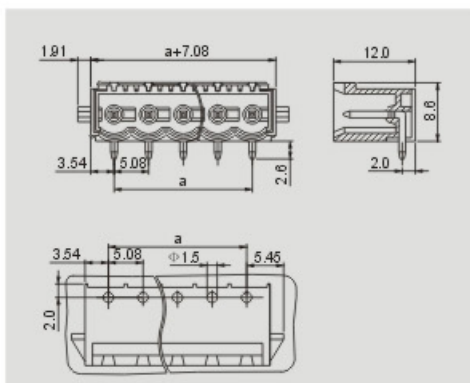
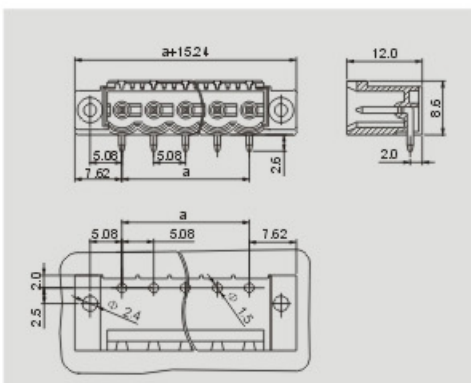
环境温度: -40°C~+140°C

※尺寸

间距: 5.08mm(.200")
极数: 2P~12P

※材质和电镀

塑件: PA46,UL94V-0
焊针: 黄铜,镀锡



Pitch: 5.08mm; Poles: 2P~12P

Pitch: 5.08mm; Poles: 2P~12P

Pitch: 5.08mm; Poles: 2P~12P

APPROVAL :

※ **Electrical**

Standard	: UL	IEC
Rated voltage	: 300V	320V
Rated current	: 15A	20A
Withstanding voltage	: AC2500V/1Min	

※ **Mechanical**

Ambient temperature: -40°C ~ +140°C

※ **Dimensions**

Pitch	: 5.08mm(.200")
Poles	: 2P~12P

※ **Material**

Housing	: PA46, UL94V-0
Pin header	: Brass, Tin plated
Nut	: M2.5, Brass

APPROVAL :

※ **Electrical**

Standard	: UL	IEC
Rated voltage	: 300V	320V
Rated current	: 15A	20A
Withstanding voltage	: AC2500V/1Min	

※ **Mechanical**

Ambient temperature: -40°C ~ +140°C

※ **Dimensions**

Pitch	: 5.08mm(.200")
Poles	: 2P~12P

※ **Material**

Housing	: PA46, UL94V-0
Pin header	: Brass, Tin plated

APPROVAL :

※ **Electrical**

Standard	: UL	IEC
Rated voltage	: 300V	320V
Rated current	: 15A	20A
Withstanding voltage	: AC2500V/1Min	

※ **Mechanical**

Ambient temperature: -40°C ~ +140°C

※ **Dimensions**

Pitch	: 5.08mm(.200")
Poles	: 2P~12P

※ **Material**

Housing	: PA46, UL94V-0
Pin header	: Brass, Tin plated

※ 电气性能

参考标准:	UL	IEC
额定电压:	300V	320V
额定电流:	15A	20A
耐电压:	AC2500V/1Min	

※ 机械性能

环境温度: -40°C ~ +140°C

※ 尺寸

间距:	5.08mm(.200")
极数:	2P~12P

※ 材质和电镀

塑件:	PA46, UL94V-0
焊针:	黄铜, 镀锡
螺母:	M2.5, 黄铜

※ 电气性能

参考标准:	UL	IEC
额定电压:	300V	320V
额定电流:	15A	20A
耐电压:	AC2500V/1Min	

※ 机械性能

环境温度: -40°C ~ +140°C

※ 尺寸

间距:	5.08mm(.200")
极数:	2P~12P

※ 材质和电镀

塑件:	PA46, UL94V-0
焊针:	黄铜, 镀锡

※ 电气性能

参考标准:	UL	IEC
额定电压:	300V	320V
额定电流:	15A	20A
耐电压:	AC2500V/1Min	

※ 机械性能

环境温度: -40°C ~ +140°C

※ 尺寸

间距:	5.08mm(.200")
极数:	2P~12P

※ 材质和电镀

塑件:	PA46, UL94V-0
焊针:	黄铜, 镀锡



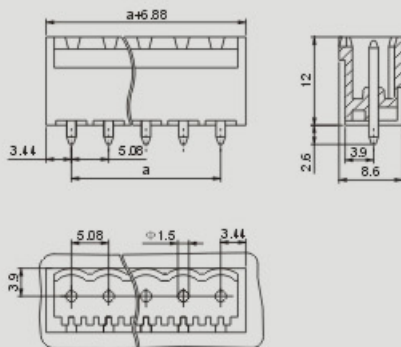
2EDGVC-THT-5.08



2EDGVM-THT-5.08



2EDGVN-THT-5.08



Pitch: 5.08mm; Poles: 2P~12P

APPROVAL :

※Electrical		
Standard	: UL	IEC
Rated voltage	: 300V	320V
Rated current	: 15A	20A
Withstanding voltage	: AC2500V/1Min	

※Mechanical
Ambient temperature: -40°C~+140°C

※Dimensions
Pitch : 5.08mm(.200")
Poles : 2P~12P

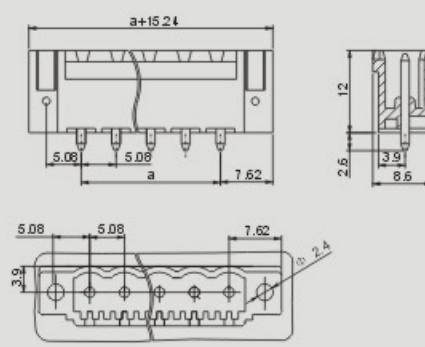
※Material
Housing : PA46,UL94V-0
Pin header : Brass,Tin plated

※电气性能
参考标准: UL IEC
额定电压: 300V 320V
额定电流: 15A 20A
耐电压: AC2500V/1Min

※机械性能
环境温度: -40°C~+140°C

※尺寸
间距: 5.08mm(.200")
极数: 2P~12P

※材质和电镀
塑件: PA46,UL94V-0
焊针: 黄铜,镀锡



Pitch: 5.08mm; Poles: 2P~12P

APPROVAL :

※Electrical		
Standard	: UL	IEC
Rated voltage	: 300V	320V
Rated current	: 15A	20A
Withstanding voltage	: AC2500V/1Min	

※Mechanical
Ambient temperature: -40°C~+140°C

※Dimensions
Pitch : 5.08mm(.200")
Poles : 2P~12P

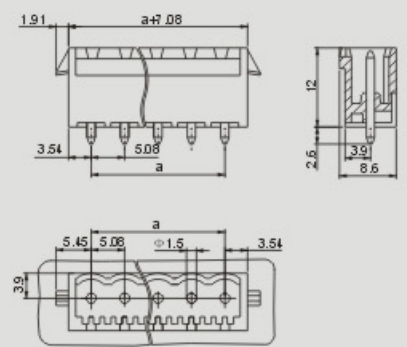
※Material
Housing : PA46,UL94V-0
Pin header : Brass,Tin plated
Nut : M2.5,Brass

※电气性能
参考标准: UL IEC
额定电压: 300V 320V
额定电流: 15A 20A
耐电压: AC2500V/1Min

※机械性能
环境温度: -40°C~+140°C

※尺寸
间距: 5.08mm(.200")
极数: 2P~12P

※材质和电镀
塑件: PA46,UL94V-0
焊针: 黄铜,镀锡
螺母: M2.5,黄铜



Pitch: 5.08mm; Poles: 2P~12P

APPROVAL :

※Electrical		
Standard	: UL	IEC
Rated voltage	: 300V	320V
Rated current	: 15A	20A
Withstanding voltage	: AC2500V/1Min	

※Mechanical
Ambient temperature: -40°C~+140°C

※Dimensions
Pitch : 5.08mm(.200")
Poles : 2P~12P

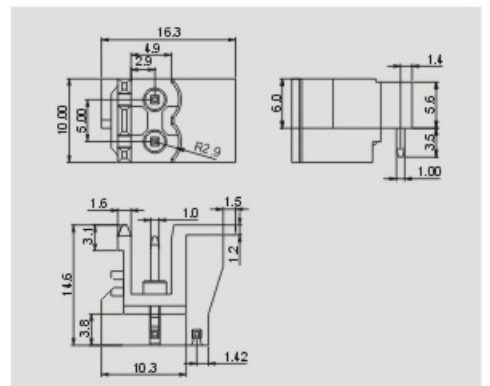
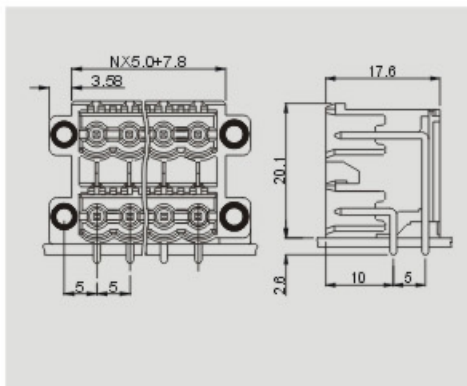
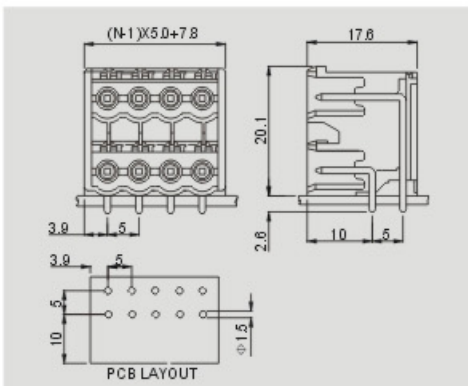
※Material
Housing : PA46,UL94V-0
Pin header : Brass,Tin plated

※电气性能
参考标准: UL IEC
额定电压: 300V 320V
额定电流: 15A 20A
耐电压: AC2500V/1Min

※机械性能
环境温度: -40°C~+140°C

※尺寸
间距: 5.08mm(.200")
极数: 2P~12P

※材质和电镀
塑件: PA46,UL94V-0
焊针: 黄铜,镀锡



Pitch: 5.0mm; Poles: 2* (2P~24P)

Pitch: 5.0mm; Poles: 2* (2P~22P)

Pitch: 5.0mm; Poles: 2P~4P

APPROVAL :
 ※ **Electrical**
 Standard : UL IEC
 Rated voltage : 300V 320V
 Rated current : 15A 10A
 Withstanding voltage : AC2500V/1Min

APPROVAL :
 ※ **Electrical**
 Standard : UL IEC
 Rated voltage : 300V 320V
 Rated current : 15A 10A
 Withstanding voltage : AC2500V/1Min

APPROVAL :
 ※ **Electrical**
 Standard : UL IEC
 Rated voltage : 300V 320V
 Rated current : 15A 20A
 Withstanding voltage : AC2500V/1Min

※ **Mechanical**
 Ambient temperature : -40°C~ +140°C

※ **Mechanical**
 Ambient temperature : -40°C~ +140°C

※ **Mechanical**
 Ambient temperature : -40°C~ +140°C

※ **Dimensions**
 Pitch : 5.0mm(.197")
 Poles : 2*(2P~24P)

※ **Dimensions**
 Pitch : 5.0mm(.197")
 Poles : 2*(2P~22P)

※ **Dimensions**
 Pitch : 5.0mm(.197")
 Poles : 2P~4P

※ **Material**
 Housing : PA46,UL94V-0
 Pin header : Brass,Tin plated

※ **Material**
 Housing : PA46,UL94V-0
 Pin header : Brass,Tin plated
 Nut : M2.5,Brass

※ **Material**
 Housing : PA46,UL94V-0
 Pin header : Brass,Tin plated

※ **电气性能**
 参考标准: UL IEC
 额定电压: 300V 320V
 额定电流: 15A 10A
 耐电压: AC2500V/1Min

※ **电气性能**
 参考标准: UL IEC
 额定电压: 300V 320V
 额定电流: 15A 10A
 耐电压: AC2500V/1Min

※ **电气性能**
 参考标准: UL IEC
 额定电压: 300V 320V
 额定电流: 15A 20A
 耐电压: AC2500V/1Min

※ **机械性能**
 环境温度: -40°C~ +140°C

※ **机械性能**
 环境温度: -40°C~ +140°C

※ **机械性能**
 环境温度: -40°C~ +140°C

※ **尺寸**
 间距: 5.0mm(.197")
 极数: 2*(2P~24P)

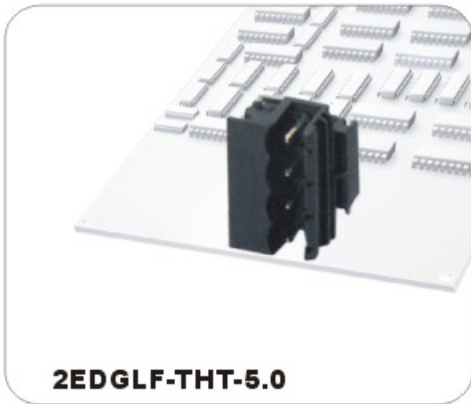
※ **尺寸**
 间距: 5.0mm(.197")
 极数: 2*(2P~22P)

※ **尺寸**
 间距: 5.0mm(.197")
 极数: 2P~4P

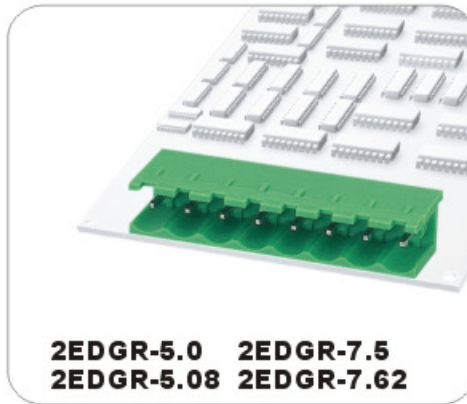
※ **材质和电镀**
 塑件: PA46,UL94V-0
 焊针: 黄铜,镀锡

※ **材质和电镀**
 塑件: PA46,UL94V-0
 焊针: 黄铜,镀锡
 螺母: M2.5,黄铜

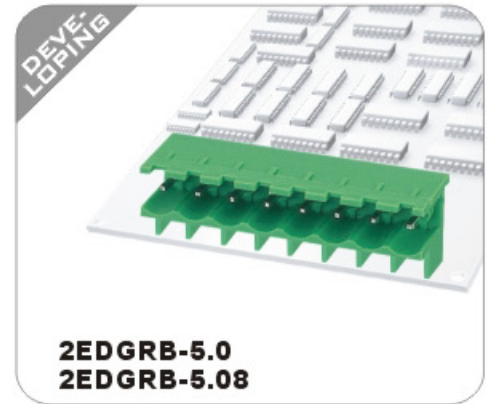
※ **材质和电镀**
 塑件: PA46,UL94V-0
 焊针: 黄铜,镀锡



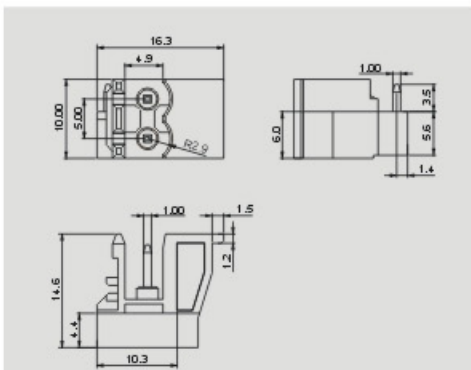
2EDGLF-THT-5.0



2EDGR-5.0 2EDGR-7.5
2EDGR-5.08 2EDGR-7.62



2EDGRB-5.0
2EDGRB-5.08



Pitch: 5.0mm; Poles: 2P~4P

APPROVAL

※ Electrical		
Standard	: UL	IEC
Rated voltage	: 300V	320V
Rated current	: 15A	20A
Withstanding voltage	: AC2500V/1Min	

※ **Mechanical**

Ambient temperature : -40°C ~ +140°C

※ **Dimensions**

Pitch	: 5.0mm(.197")
Poles	: 2P~4P

※ **Material**

Housing	: PA46,UL94V-0
Pin header	: Brass,Tin plated

※ **电气性能**

参考标准	: UL	IEC
额定电压	: 300V	320V
额定电流	: 15A	20A
耐电压	: AC2500V/1Min	

※ **机械性能**

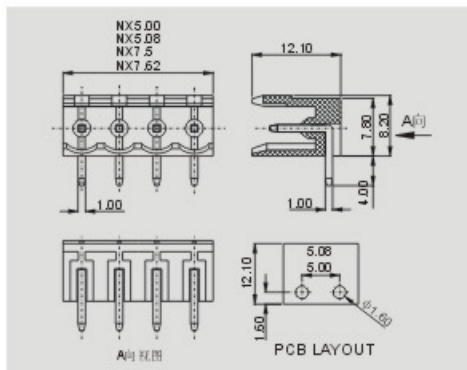
环境温度 : -40°C ~ +140°C

※ **尺寸**

间距	: 5.0mm(.197")
极数	: 2P~4P

※ **材质和电镀**

塑件	: PA46,UL94V-0
焊针	: 黄铜,镀锡



Pitch: 5.0,5.08mm; Poles: 2P~24P
Pitch: 7.5,7.62mm; Poles: 2P~12P

APPROVAL

※ Electrical		
Standard	: UL	IEC
Rated voltage	: 300V	320V,400V
Rated current	: 15A	20A
Withstanding voltage	: AC2500V/1Min	

※ **Mechanical**

Ambient temperature : -40°C ~ +105°C

※ **Dimensions**

Pitch	: 5.0mm(.197")	7.5mm(.295")
	5.08mm(.200")	7.62mm(.300")
Poles	: 2P~24P	2P~12P

※ **Material**

Housing	: PA66,UL94V-0
Pin header	: Brass,Tin plated

※ **电气性能**

参考标准	: UL	IEC
额定电压	: 300V	320V,400V
额定电流	: 15A	20A
耐电压	: AC2500V/1Min	

※ **机械性能**

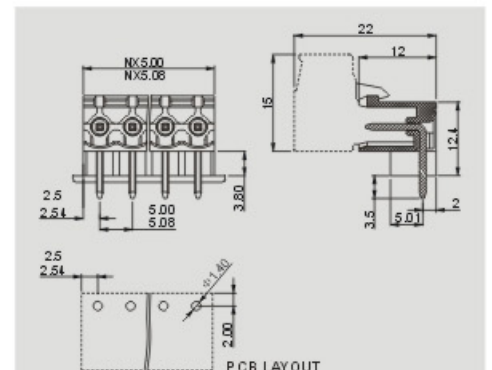
环境温度 : -40°C ~ +105°C

※ **尺寸**

间距	: 5.0mm(.197")	7.5mm(.295")
	5.08mm(.200")	7.62mm(.300")
极数	: 2P~24P	2P~12P

※ **材质和电镀**

塑件	: PA66,UL94V-0
焊针	: 黄铜,镀锡



Pitch: 5.0,5.08mm; Poles: 2P~24P

APPROVAL

※ Electrical		
Standard	: UL	IEC
Rated voltage	: 300V	320V,400V
Rated current	: 15A	20A
Withstanding voltage	: AC2500V/1Min	

※ **Mechanical**

Ambient temperature : -40°C ~ +105°C

※ **Dimensions**

Pitch	: 5.0mm(.197")	5.08mm(.200")
Poles	: 2P~24P	

※ **Material**

Housing	: PA66,UL94V-0
Pin header	: Brass,Tin plated

※ **电气性能**

参考标准	: UL	IEC
额定电压	: 300V	320V,400V
额定电流	: 15A	20A
耐电压	: AC2500V/1Min	

※ **机械性能**

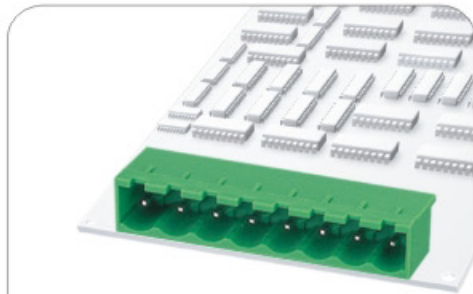
环境温度 : -40°C ~ +105°C

※ **尺寸**

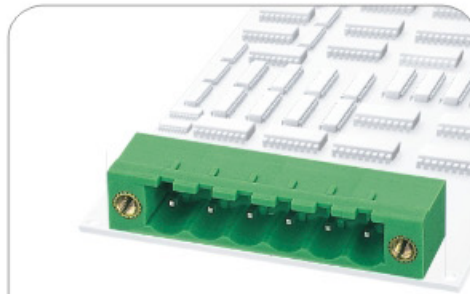
间距	: 5.0mm(.197")	5.08mm(.200")
极数	: 2P~24P	

※ **材质和电镀**

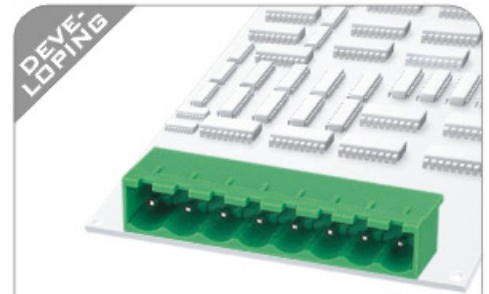
塑件	: PA66,UL94V-0
焊针	: 黄铜,镀锡



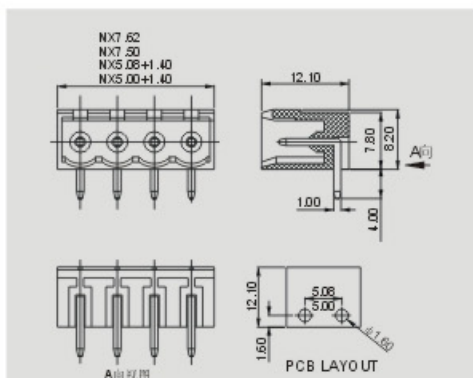
2EDGRC-5.0 2EDGRC-7.5
2EDGRC-5.08 2EDGRC-7.62



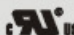

2EDGRM-5.0 2EDGRM-7.5
2EDGRM-5.08 2EDGRM-7.62



2EDGRCP-5.0
2EDGRCP-5.08



Pitch: 5.0,5.08mm; Poles: 2P~24P
Pitch: 7.5,7.62mm; Poles: 2P~12P

APPROVAL :  
Electrical
 Standard : UL IEC
 Rated voltage : 300V 320V,400V
 Rated current : 15A 20A
 Withstanding voltage : AC2500V/1Min

Mechanical
 Ambient temperature : -40°C ~ +105°C

Dimensions
 Pitch : 5.0mm(.197") 7.5mm(.295")
 5.08mm(.200") 7.62mm(.300")
 Poles : 2P~24P 2P~12P

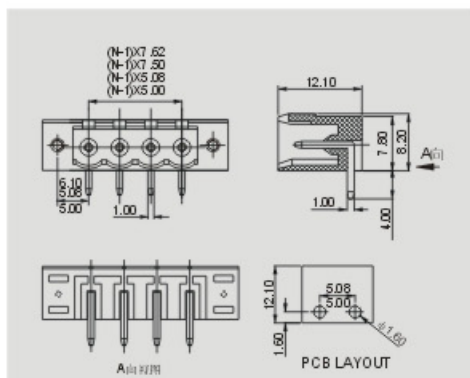
Material
 Housing : PA66,UL94V-0
 Pin header : Brass,Tin plated

电气性能
 参考标准: UL IEC
 额定电压: 300V 320V,400V
 额定电流: 15A 20A
 耐电压: AC2500V/1Min

机械性能
 环境温度: -40°C ~ +105°C

尺寸
 间距 : 5.0mm(.197") 7.5mm(.295")
 5.08mm(.200") 7.62mm(.300")
 极数 : 2P~24P 2P~12P

材质和电镀
 塑件 : PA66,UL94V-0
 焊针 : 黄铜,镀锡



Pitch: 5.0,5.08mm; Poles: 2P~22P
Pitch: 7.5,7.62mm; Poles: 2P~12P

APPROVAL :  
Electrical
 Standard : UL IEC
 Rated voltage : 300V 320V,400V
 Rated current : 15A 20A
 Withstanding voltage : AC2500V/1Min

Mechanical
 Ambient temperature : -40°C ~ +105°C

Dimensions
 Pitch : 5.0mm(.197") 7.5mm(.295")
 5.08mm(.200") 7.62mm(.300")
 Poles : 2P~22P 2P~12P

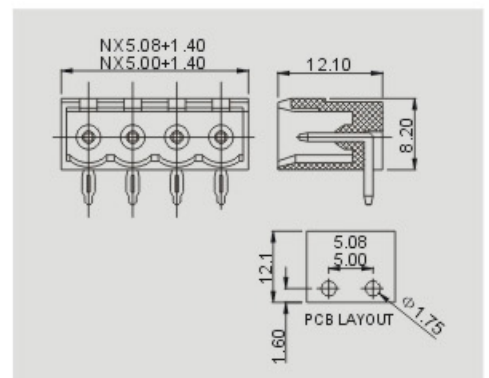
Material
 Housing : PA66,UL94V-0
 Pin header : Brass,Tin plated
 Nut : M2.5,Brass

电气性能
 参考标准: UL IEC
 额定电压: 300V 320V,400V
 额定电流: 15A 20A
 耐电压: AC2500V/1Min

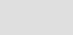
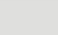
机械性能
 环境温度: -40°C ~ +105°C

尺寸
 间距 : 5.0mm(.197") 7.5mm(.295")
 5.08mm(.200") 7.62mm(.300")
 极数 : 2P~22P 2P~12P

材质和电镀
 塑件 : PA66,UL94V-0
 焊针 : 黄铜,镀锡
 螺母 : M2.5,黄铜



Pitch: 5.0,5.08mm; Poles: 2P~24P

APPROVAL :  
Electrical
 Standard : UL IEC
 Rated voltage : 300V 320V
 Rated current : 15A 20A
 Withstanding voltage : AC2500V/1Min

Mechanical
 Ambient temperature : -40°C ~ +105°C

Dimensions
 Pitch : 5.0mm(.197") 5.08mm(.200")
 Poles : 2P~24P

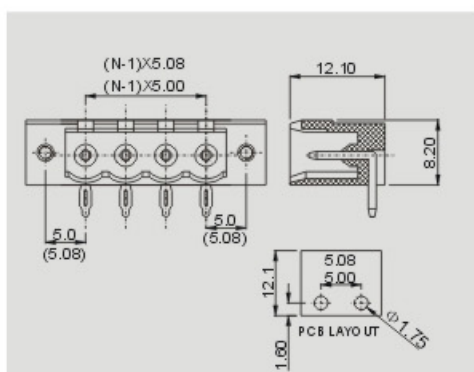
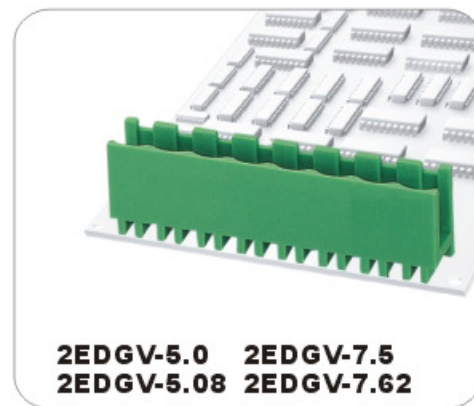
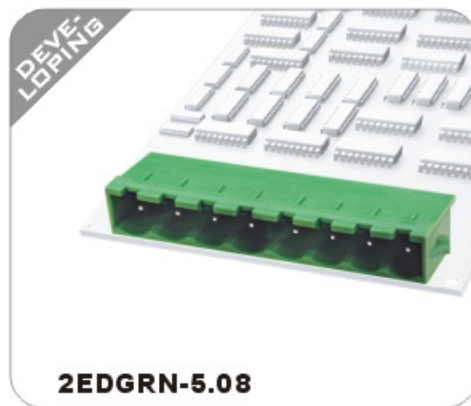
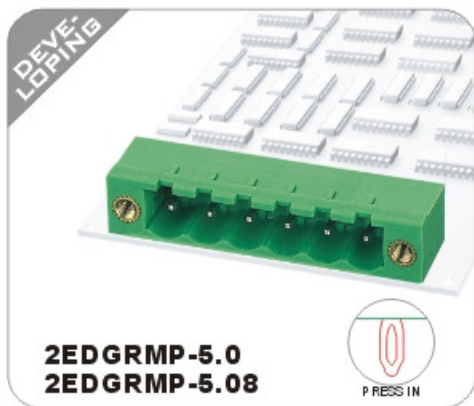
Material
 Housing : PA66,UL94V-0
 Pin header : Phosphor bronze,Tin plated

电气性能
 参考标准: UL IEC
 额定电压: 300V 320V
 额定电流: 15A 20A
 耐电压: AC2500V/1Min

机械性能
 环境温度: -40°C ~ +105°C

尺寸
 间距 : 5.0mm(.197") 5.08mm(.200")
 极数 : 2P~24P

材质和电镀
 塑件 : PA66,UL94V-0
 焊针 : 磷青铜,镀锡



Pitch: 5.0,5.08mm; Poles: 2P~22P

APPROVAL

※ Electrical		
Standard	UL	IEC
Rated voltage	300V	320V
Rated current	15A	20A
Withstanding voltage	AC2500V/1Min	

※ **Mechanical**

Ambient temperature: -40°C~+105°C

※ **Dimensions**

Pitch : 5.0mm(.197") 5.08mm(.200")
Poles : 2P~22P

※ **Material**

Housing : PA66,UL94V-0
Pin header : Phosphor bronze Tin plated
Nut : M2.5,Brass

※ **电气性能**

参考标准:	UL	IEC
额定电压:	300V	320V
额定电流:	15A	20A
耐电压:	AC2500V/1Min	

※ **机械性能**

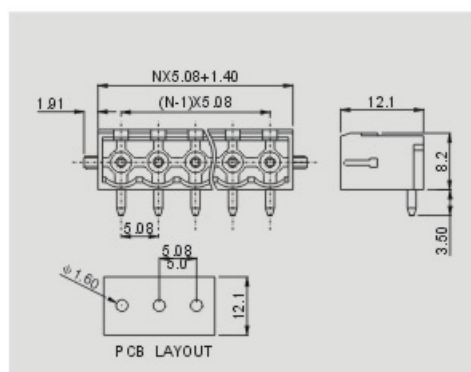
环境温度: -40°C~+105°C

※ **尺寸**

间距: 5.0mm(.197") 5.08mm(.200")
极数: 2P~22P

※ **材质和电镀**

塑件: PA66,UL94V-0
焊针: 磷青铜镀锡
螺母: M2.5,黄铜



Pitch: 5.08mm; Poles: 2P~24P

APPROVAL

※ Electrical		
Standard	UL	IEC
Rated voltage	300V	320V
Rated current	15A	20A
Withstanding voltage	AC2500V/1Min	

※ **Mechanical**

Ambient temperature: -40°C~+105°C

※ **Dimensions**

Pitch : 5.08mm(.200")
Poles : 2P~24P

※ **Material**

Housing : PA66,UL94V-0
Pin header : Brass,Tin plated

※ **电气性能**

参考标准:	UL	IEC
额定电压:	300V	320V
额定电流:	15A	20A
耐电压:	AC2500V/1Min	

※ **机械性能**

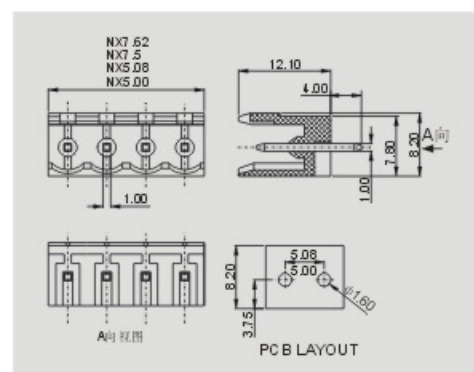
环境温度: -40°C~+105°C

※ **尺寸**

间距: 5.08mm(.200")
极数: 2P~24P

※ **材质和电镀**

塑件: PA66,UL94V-0
焊针: 黄铜镀锡



Pitch: 5.0,5.08mm; Poles: 2P~24P

Pitch: 7.5,7.62mm; Poles: 2P~12P

APPROVAL

※ Electrical		
Standard	UL	IEC
Rated voltage	300V	320V,400V
Rated current	15A	20A
Withstanding voltage	AC2500V/1Min	

※ **Mechanical**

Ambient temperature: -40°C~+105°C

※ **Dimensions**

Pitch : 5.0mm(.197") 7.5mm(.295")
5.08mm(.200") 7.62mm(.300")
Poles : 2P~24P 2P~12P

※ **Material**

Housing : PA66,UL94V-0
Pin header : Brass,Tin plated

※ **电气性能**

参考标准:	UL	IEC
额定电压:	300V	320V,400V
额定电流:	15A	20A
耐电压:	AC2500V/1Min	

※ **机械性能**

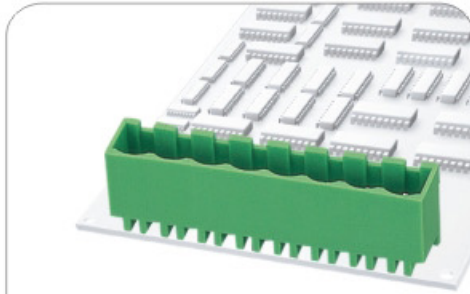
环境温度: -40°C~+105°C

※ **尺寸**

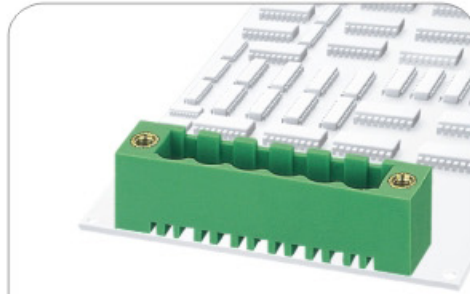
间距: 5.0mm(.197") 7.5mm(.295")
5.08mm(.200") 7.62mm(.300")
极数: 2P~24P 2P~12P

※ **材质和电镀**

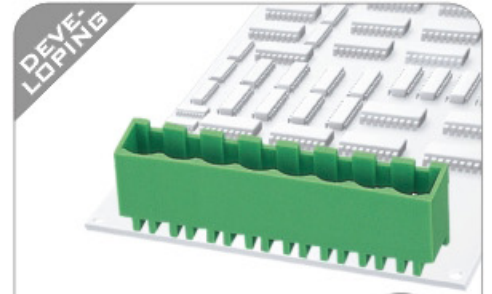
塑件: PA66,UL94V-0
焊针: 黄铜镀锡



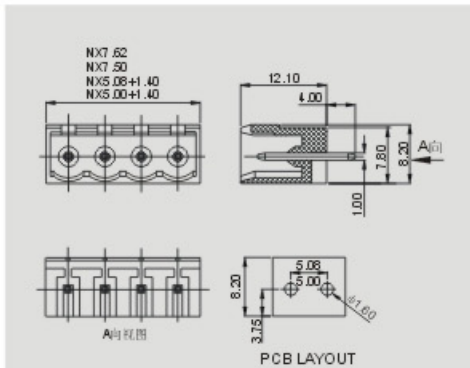
2EDGVC-5.0 2EDGVC-7.5
2EDGVC-5.08 2EDGVC-7.62



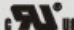

2EDGVM-5.0 2EDGVM-7.5
2EDGVM-5.08 2EDGVM-7.62



2EDGVCP-5.0
2EDGVCP-5.08



Pitch: 5.0, 5.08mm; Poles: 2P~24P
Pitch: 7.5, 7.62mm; Poles: 2P~12P

APPROVAL :  
Electrical
 Standard : UL IEC
 Rated voltage : 300V 320V, 400V
 Rated current : 15A 20A
 Withstanding voltage : AC2500V/1Min

Mechanical
 Ambient temperature : -40°C ~ +105°C

Dimensions
 Pitch : 5.0mm (.197") 7.5mm (.295")
 5.08mm (.200") 7.62mm (.300")
 Poles : 2P~24P 2P~12P

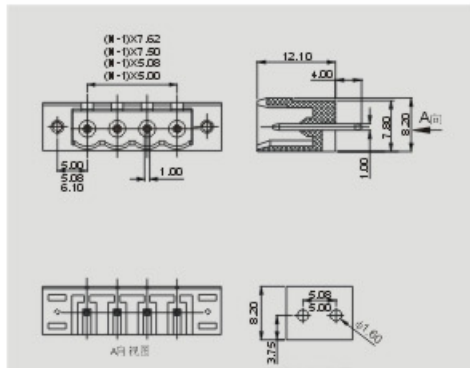
Material
 Housing : PA66, UL94V-0
 Pin header : Brass, Tin plated

※电气性能
 参考标准: UL IEC
 额定电压: 300V 320V, 400V
 额定电流: 15A 20A
 耐电压: AC2500V/1Min

※机械性能
 环境温度: -40°C ~ +105°C

※尺寸
 间距: 5.0mm (.197") 7.5mm (.295")
 5.08mm (.200") 7.62mm (.300")
 极数: 2P~24P 2P~12P

※材质和电镀
 塑件: PA66, UL94V-0
 焊针: 黄铜, 镀锡



Pitch: 5.0, 5.08mm; Poles: 2P~22P
Pitch: 7.5, 7.62mm; Poles: 2P~12P

APPROVAL :  
Electrical
 Standard : UL IEC
 Rated voltage : 300V 320V, 400V
 Rated current : 15A 20A
 Withstanding voltage : AC2500V/1Min

Mechanical
 Ambient temperature : -40°C ~ +105°C

Dimensions
 Pitch : 5.0mm (.197") 7.5mm (.295")
 5.08mm (.200") 7.62mm (.300")
 Poles : 2P~22P 2P~12P

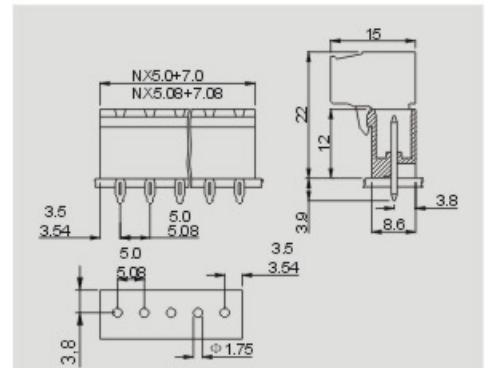
Material
 Housing : PA66, UL94V-0
 Pin header : Brass, Tin plated
 Nut : M2.5, Brass

※电气性能
 参考标准: UL IEC
 额定电压: 300V 320V, 400V
 额定电流: 15A 20A
 耐电压: AC2500V/1Min

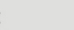
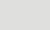
※机械性能
 环境温度: -40°C ~ +105°C

※尺寸
 间距: 5.0mm (.197") 7.5mm (.295")
 5.08mm (.200") 7.62mm (.300")
 极数: 2P~22P 2P~12P

※材质和电镀
 塑件: PA66, UL94V-0
 焊针: 黄铜, 镀锡
 螺母: M2.5, 黄铜



Pitch: 5.0, 5.08mm; Poles: 2P~24P

APPROVAL :  
Electrical
 Standard : UL IEC
 Rated voltage : 300V 320V
 Rated current : 15A 20A
 Withstanding voltage : AC2500V/1Min

Mechanical
 Ambient temperature : -40°C ~ +105°C

Dimensions
 Pitch : 5.0mm (.197") 5.08mm (.200")
 Poles : 2P~24P

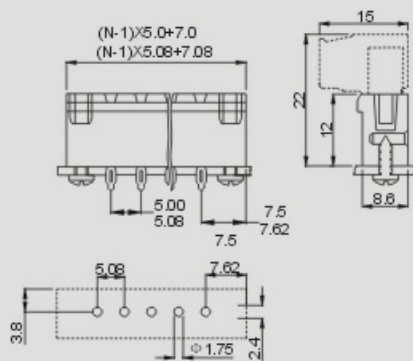
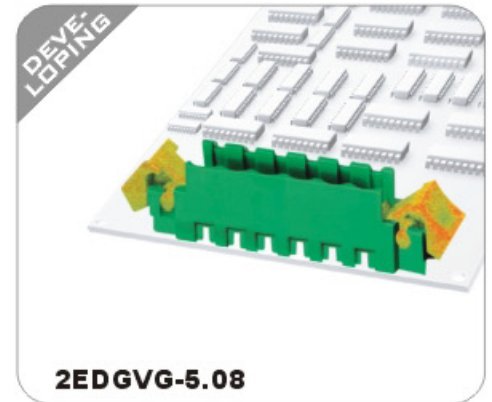
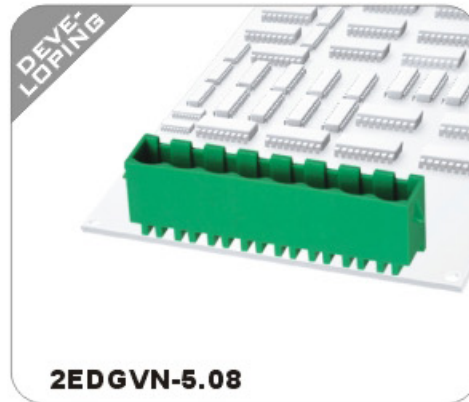
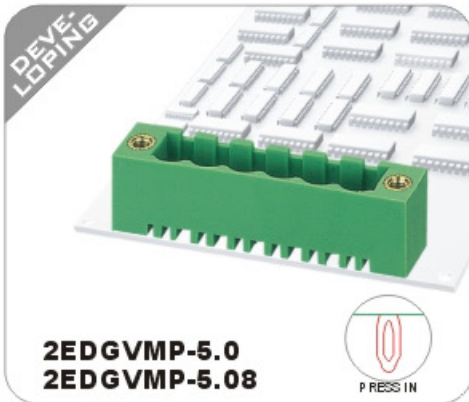
Material
 Housing : PA66, UL94V-0
 Pin header : Phosphor bronze, Tin plated

※电气性能
 参考标准: UL IEC
 额定电压: 300V 320V
 额定电流: 15A 20A
 耐电压: AC2500V/1Min

※机械性能
 环境温度: -40°C ~ +105°C

※尺寸
 间距: 5.0mm (.197") 5.08mm (.200")
 极数: 2P~24P

※材质和电镀
 塑件: PA66, UL94V-0
 焊针: 磷青铜, 镀锡



Pitch: 5.0, 5.08mm; Poles: 2P~22P

APPROVAL

* Electrical		
Standard	: UL	IEC
Rated voltage	: 300V	320V
Rated current	: 15A	20A
Withstanding voltage	: AC2500V/1Min	

* **Mechanical**

Ambient temperature: -40°C ~ +105°C

* **Dimensions**

Pitch : 5.0mm(.197") 5.08mm(.200")
Poles : 2P~22P

* **Material**

Housing : PA66, UL94V-0
Pin header : Phosphor bronze Tin plated
Nut : M2.5, Brass

* **电气性能**

参考标准:	UL	IEC
额定电压:	300V	320V
额定电流:	15A	20A
耐电压:	AC2500V/1Min	

* **机械性能**

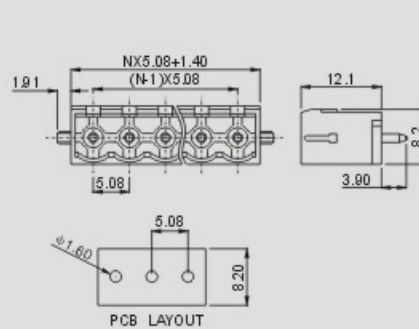
环境温度: -40°C ~ +105°C

* **尺寸**

间距: 5.0mm(.197") 5.08mm(.200")
极数: 2P~22P

* **材质和电镀**

塑件: PA66, UL94V-0
焊针: 磷青铜镀锡
螺母: M2.5, 黄铜



Pitch: 5.08mm; Poles: 2P~24P

APPROVAL

* Electrical		
Standard	: UL	IEC
Rated voltage	: 300V	320V
Rated current	: 15A	20A
Withstanding voltage	: AC2500V/1Min	

* **Mechanical**

Ambient temperature: -40°C ~ +105°C

* **Dimensions**

Pitch : 5.08mm(.200")
Poles : 2P~24P

* **Material**

Housing : PA66, UL94V-0
Pin header : Brass, Tin plated

* **电气性能**

参考标准:	UL	IEC
额定电压:	300V	320V
额定电流:	15A	20A
耐电压:	AC2500V/1Min	

* **机械性能**

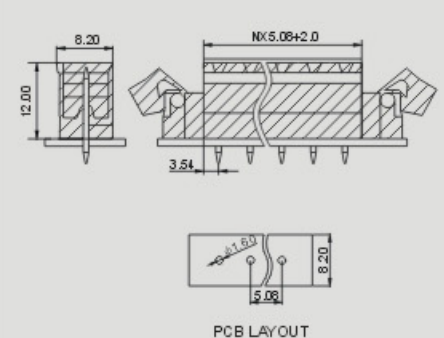
环境温度: -40°C ~ +105°C

* **尺寸**

间距: 5.08mm(.200")
极数: 2P~24P

* **材质和电镀**

塑件: PA66, UL94V-0
焊针: 黄铜, 镀锡



Pitch: 5.08mm; Poles: 2P~24P

APPROVAL

* Electrical		
Standard	: UL	IEC
Rated voltage	: 300V	320V
Rated current	: 15A	20A
Withstanding voltage	: AC2500V/1Min	

* **Mechanical**

Ambient temperature: -40°C ~ +105°C

* **Dimensions**

Pitch : 5.08mm(.200")
Poles : 2P~24P

* **Material**

Housing : PA66, UL94V-0
Pin header : Brass, Tin plated

* **电气性能**

参考标准:	UL	IEC
额定电压:	300V	320V
额定电流:	15A	20A
耐电压:	AC2500V/1Min	

* **机械性能**

环境温度: -40°C ~ +105°C

* **尺寸**

间距: 5.08mm(.200")
极数: 2P~24P

* **材质和电镀**

塑件: PA66, UL94V-0
焊针: 黄铜, 镀锡



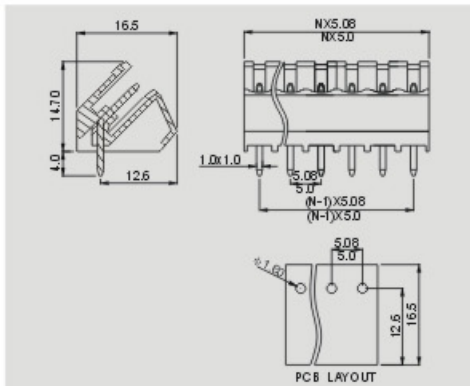
2EDGL-5.0
2EDGL-5.08




2EDGLC-5.0
2EDGLC-5.08



2EDGLM-5.0
2EDGLM-5.08



Pitch: 5.0,5.08mm; Poles: 2P~24P

APPROVAL : 
※Electrical
 Standard : UL IEC
 Rated voltage : 300V 320V
 Rated current : 15A 20A
 Withstanding voltage : AC2500V/1Min

※Mechanical
 Ambient temperature : -40°C ~ +105°C

※Dimensions
 Pitch : 5.0mm(.197") 5.08mm(.200")
 Poles : 2P~24P

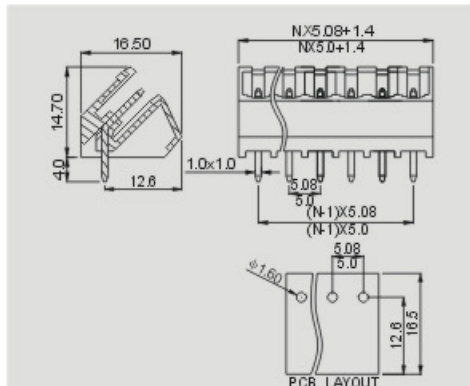
※Material
 Housing : PA66,UL94V-0
 Pin header : Brass,Tin plated

※电气性能
 参考标准: UL IEC
 额定电压: 300V 320V
 额定电流: 15A 20A
 耐电压: AC2500V/1Min


※机械性能
 环境温度: -40°C ~ +105°C

※尺寸
 间距: 5.0mm(.197") 5.08mm(.200")
 极数: 2P~24P

※材质和电镀
 塑件: PA66,UL94V-0
 焊针: 黄铜,镀锡



Pitch: 5.0,5.08mm; Poles: 2P~24P

APPROVAL : 
※Electrical
 Standard : UL IEC
 Rated voltage : 300V 320V
 Rated current : 15A 20A
 Withstanding voltage : AC2500V/1Min

※Mechanical
 Ambient temperature : -40°C ~ +105°C

※Dimensions
 Pitch : 5.0mm(.197") 5.08mm(.200")
 Poles : 2P~24P

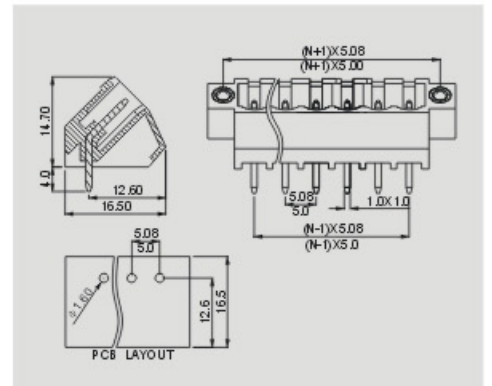
※Material
 Housing : PA66,UL94V-0
 Pin header : Brass,Tin plated

※电气性能
 参考标准: UL IEC
 额定电压: 300V 320V
 额定电流: 15A 20A
 耐电压: AC2500V/1Min


※机械性能
 环境温度: -40°C ~ +105°C

※尺寸
 间距: 5.0mm(.197") 5.08mm(.200")
 极数: 2P~24P

※材质和电镀
 塑件: PA66,UL94V-0
 焊针: 黄铜,镀锡



Pitch: 5.0mm, 5.08mm; Poles: 2P~22P

APPROVAL : 
※Electrical
 Standard : UL IEC
 Rated voltage : 300V 320V
 Rated current : 15A 20A
 Withstanding voltage : AC2500V/1Min

※Mechanical
 Ambient temperature : -40°C ~ +105°C

※Dimensions
 Pitch : 5.0mm(.197") 5.08mm(.200")
 Poles : 2P~22P

※Material
 Housing : PA66,UL94V-0
 Pin header : Brass,Tin plated
 Nut : M2.5,Brass

※电气性能
 参考标准: UL IEC
 额定电压: 300V 320V
 额定电流: 15A 20A
 耐电压: AC2500V/1Min

※机械性能
 环境温度: -40°C ~ +105°C

※尺寸
 间距: 5.0mm(.197")5.08mm(.200")
 极数: 2P~22P

※材质和电镀
 塑件: PA66,UL94V-0
 焊针: 黄铜,镀锡
 螺母: M2.5,黄铜



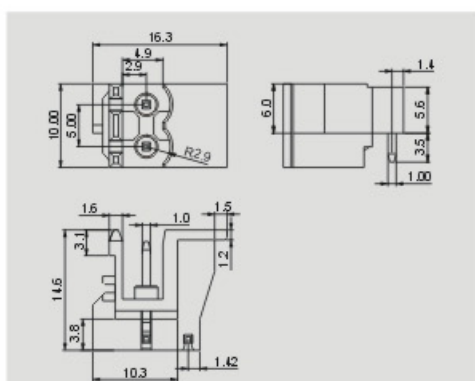
2EDGLF-5.0




2EDGRF-5.0



**2EDGRT-5.0
2EDGRT-5.08**



Pitch: 5.0mm; Poles: 2P~4P

APPROVAL : 
 ※ **Electrical**
 Standard : UL IEC
 Rated voltage : 300V 320V
 Rated current : 15A 20A
 Withstanding voltage : AC2500V/1Min

※ **Mechanical**
 Ambient temperature : -40°C~ +105°C

※ **Dimensions**
 Pitch : 5.0mm (.197")
 Poles : 2P~4P

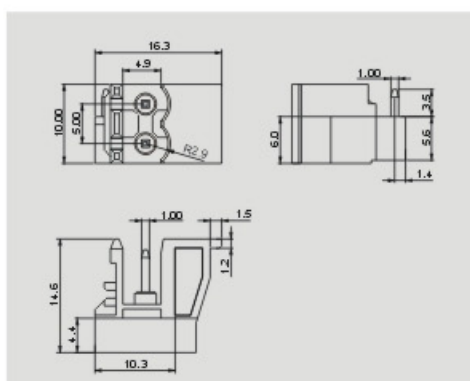
※ **Material**
 Housing : PA66,UL94V-0
 Pin header : Brass,Tin plated

※ **电气性能**
 参考标准: UL IEC
 额定电压: 300V 320V
 额定电流: 15A 20A
 耐电压: AC2500V/1Min


※ **机械性能**
 环境温度: -40°C~ +105°C

※ **尺寸**
 间距: 5.0mm(.197")
 极数: 2P~4P

※ **材质和电镀**
 塑件: PA66,UL94V-0
 焊针: 黄铜,镀锡



Pitch: 5.0mm; Poles: 2P~4P

APPROVAL : 
 ※ **Electrical**
 Standard : UL IEC
 Rated voltage : 300V 320V
 Rated current : 15A 20A
 Withstanding voltage : AC2500V/1Min

※ **Mechanical**
 Ambient temperature : -40°C~ +105°C

※ **Dimensions**
 Pitch : 5.0mm (.197")
 Poles : 2P~4P

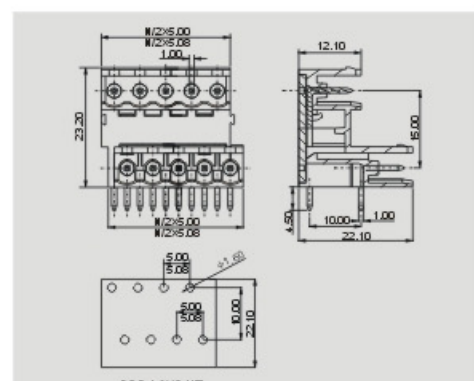
※ **Material**
 Housing : PA66,UL94V-0
 Pin header : Brass,Tin plated

※ **电气性能**
 参考标准: UL IEC
 额定电压: 300V 320V
 额定电流: 15A 20A
 耐电压: AC2500V/1Min



※ **机械性能**
 环境温度: -40°C~ +105°C

※ **尺寸**
 间距: 5.0mm(.197")
 极数: 2P~4P

※ **材质和电镀**
 塑件: PA66,UL94V-0
 焊针: 黄铜,镀锡



Pitch: 5.0,5.08mm; Poles: 2*(2P,3P~24P)

APPROVAL :  
 ※ **Electrical**
 Standard : UL IEC
 Rated voltage : 300V 320V
 Rated current : 15A 10A
 Withstanding voltage : AC2500V/1Min

※ **Mechanical**
 Ambient temperature : -40°C~ +105°C

※ **Dimensions**
 Pitch : 5.0mm (.197") 5.08mm (.200")
 Poles : 2*(2P,3P~24P)

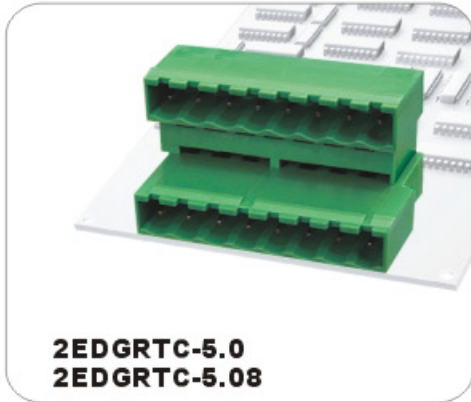
※ **Material**
 Housing : PA66,UL94V-0
 Pin header : Brass,Tin plated

※ **电气性能**
 参考标准: UL IEC
 额定电压: 300V 320V
 额定电流: 15A 10A
 耐电压: AC2500V/1Min

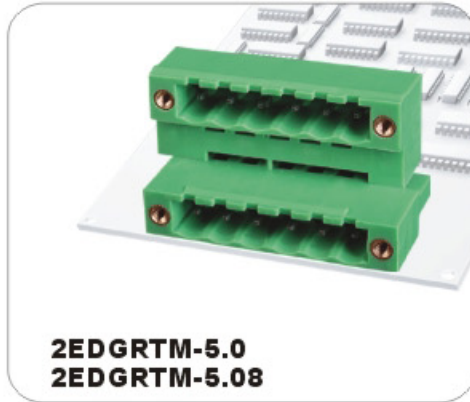
※ **机械性能**
 环境温度: -40°C~ +105°C

※ **尺寸**
 间距: 5.0mm(.197") 5.08mm(.200")
 极数: 2*(2P,3P~24P)

※ **材质和电镀**
 塑件: PA66,UL94V-0
 焊针: 黄铜,镀锡



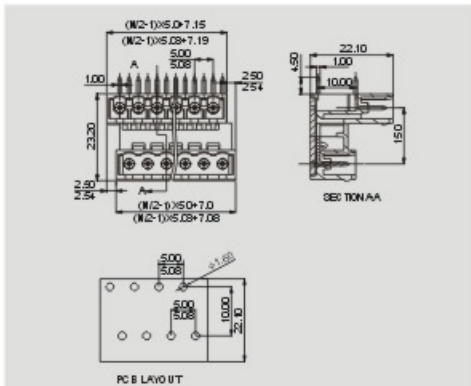
2EDGRTC-5.0
2EDGRTC-5.08





2EDGRTM-5.0
2EDGRTM-5.08



2EDGVT-5.0
2EDGVT-5.08



Pitch: 5.0,5.08mm; Poles: 2*(2P~24P)

APPROVAL :  
※Electrical
 Standard : UL IEC
 Rated voltage : 300V 320V
 Rated current : 15A 10A
 Withstanding voltage : AC2500V/1Min

※Mechanical
 Ambient temperature : -40°C~ +105°C

※Dimensions
 Pitch : 5.0mm(.197") 5.08mm(.200")
 Poles : 2*(2P~24P)

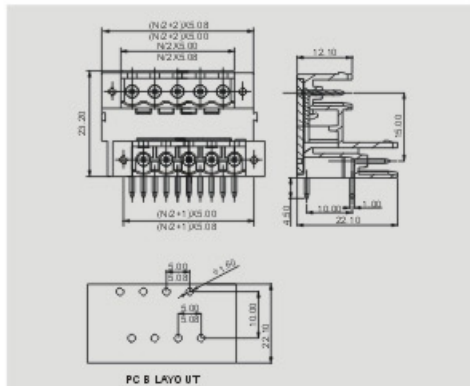
※Material
 Housing : PA66,UL94V-0
 Pin header : Brass,Tin plated

※电气性能
 参考标准: UL IEC
 额定电压: 300V 320V
 额定电流: 15A 10A
 耐电压: AC2500V/1Min



※机械性能
 环境温度: -40°C~ +105°C

※尺寸
 间距: 5.0mm(.197") 5.08mm(.200")
 极数: 2*(2P~24P)

※材质和电镀
 塑件: PA66,UL94V-0
 焊针: 黄铜,镀锡



Pitch: 5.0,5.08mm; Poles: 2*(2P~22P)

APPROVAL :  
※Electrical
 Standard : UL IEC
 Rated voltage : 300V 320V
 Rated current : 15A 10A
 Withstanding voltage : AC2500V/1Min

※Mechanical
 Ambient temperature : -40°C~ +105°C

※Dimensions
 Pitch : 5.0mm(.197") 5.08mm(.200")
 Poles : 2*(2P~22P)

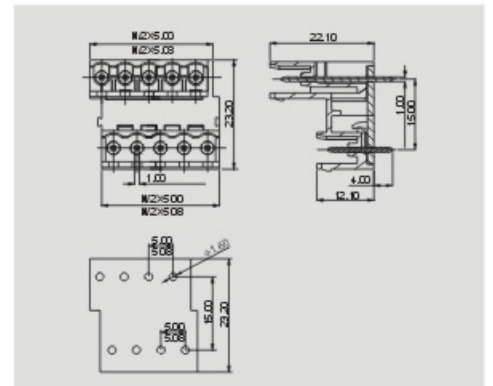
※Material
 Housing : PA66,UL94V-0
 Pin header : Brass,Tin plated
 Nut : M2.5,Brass

※电气性能
 参考标准: UL IEC
 额定电压: 300V 320V
 额定电流: 15A 10A
 耐电压: AC2500V/1Min



※机械性能
 环境温度: -40°C~ +105°C

※尺寸
 间距: 5.0mm(.197") 5.08mm(.200")
 极数: 2*(2P~22P)

※材质和电镀
 塑件: PA66,UL94V-0
 焊针: 黄铜,镀锡
 螺母: M2.5,黄铜



Pitch: 5.0,5.08mm; Poles: 2*(2P,3P~24P)

APPROVAL :  
※Electrical
 Standard : UL IEC
 Rated voltage : 300V 320V
 Rated current : 15A 10A
 Withstanding voltage : AC2500V/1Min

※Mechanical
 Ambient temperature : -40°C~ +105°C

※Dimensions
 Pitch : 5.0mm(.197") 5.08mm(.200")
 Poles : 2*(2P,3P~24P)

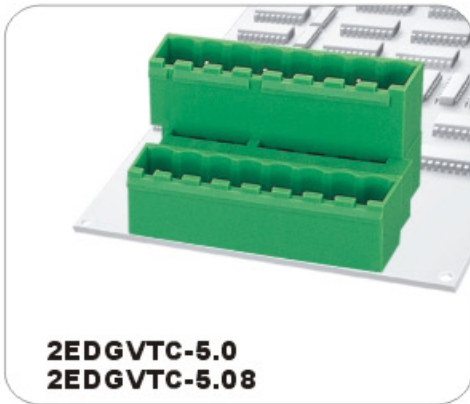
※Material
 Housing : PA66,UL94V-0
 Pin header : Brass,Tin plated

※电气性能
 参考标准: UL IEC
 额定电压: 300V 320V
 额定电流: 15A 10A
 耐电压: AC2500V/1Min

※机械性能
 环境温度: -40°C~ +105°C

※尺寸
 间距: 5.0mm(.197") 5.08mm(.200")
 极数: 2*(2P,3P~24P)

※材质和电镀
 塑件: PA66,UL94V-0
 焊针: 黄铜,镀锡



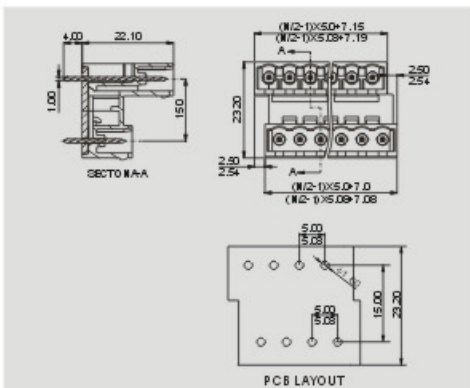
2EDGVTC-5.0
2EDGVTC-5.08





2EDGVTM-5.0
2EDGVTM-5.08



2EDGRH-5.0
2EDGRH-5.08



Pitch: 5.0,5.08mm; Poles: 2*(2P~24P)

APPROVAL :  
※ Electrical
 Standard : UL IEC
 Rated voltage : 300V 320V
 Rated current : 15A 10A
 Withstanding voltage : AC2500V/1Min

※ Mechanical
 Ambient temperature : -40°C~ +105°C

※ Dimensions
 Pitch : 5.0mm(.197") 5.08mm(.200")
 Poles : 2*(2P~24P)

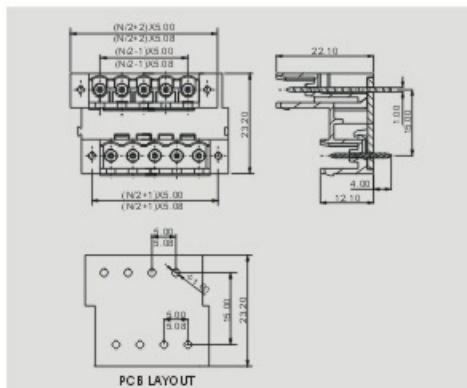
※ Material
 Housing : PA66,UL94V-0
 Pin header : Brass,Tin plated

※ 电气性能
 参考标准: UL IEC
 额定电压: 300V 320V
 额定电流: 15A 10A
 耐电压: AC2500V/1Min



※ 机械性能
 环境温度: -40°C~ +105°C

※ 尺寸
 间距: 5.0mm(.197") 5.08mm(.200")
 极数: 2*(2P~24P)

※ 材质和电镀
 塑件: PA66,UL94V-0
 焊针: 黄铜,镀锡



Pitch: 5.0,5.08mm; Poles: 2*(2P~22P)

APPROVAL :  
※ Electrical
 Standard : UL IEC
 Rated voltage : 300V 320V
 Rated current : 15A 10A
 Withstanding voltage : AC2500V/1Min

※ Mechanical
 Ambient temperature : -40°C~ +105°C

※ Dimensions
 Pitch : 5.0mm(.197") 5.08mm(.200")
 Poles : 2*(2P~22P)

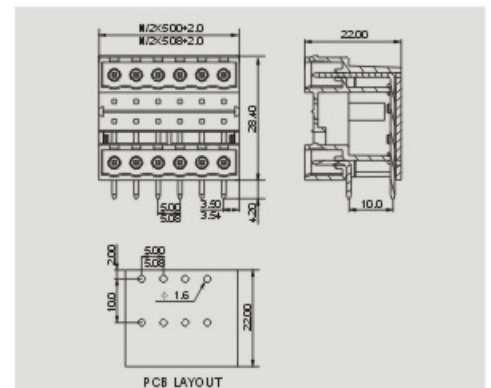
※ Material
 Housing : PA66,UL94V-0
 Pin header : Brass,Tin plated
 Nut : M2.5,Brass

※ 电气性能
 参考标准: UL IEC
 额定电压: 300V 320V
 额定电流: 15A 10A
 耐电压: AC2500V/1Min



※ 机械性能
 环境温度: -40°C~ +105°C

※ 尺寸
 间距: 5.0mm(.197") 5.08mm(.200")
 极数: 2*(2P~22P)

※ 材质和电镀
 塑件: PA66,UL94V-0
 焊针: 黄铜,镀锡
 螺母: M2.5,黄铜



Pitch: 5.0,5.08mm; Poles: 2*(2P~24P)

APPROVAL :  
※ Electrical
 Standard : UL IEC
 Rated voltage : 300V 320V
 Rated current : 15A 10A
 Withstanding voltage : AC2500V/1Min

※ Mechanical
 Ambient temperature : -40°C~ +105°C

※ Dimensions
 Pitch : 5.0mm(.197") 5.08mm(.200")
 Poles : 2*(2P~24P)

※ Material
 Housing : PA66,UL94V-0
 Pin header : Brass,Tin plated

※ 电气性能
 参考标准: UL IEC
 额定电压: 300V 320V
 额定电流: 15A 10A
 耐电压: AC2500V/1Min

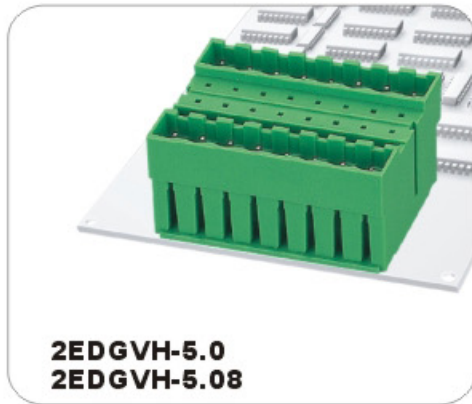
※ 机械性能
 环境温度: -40°C~ +105°C

※ 尺寸
 间距: 5.0mm(.197") 5.08mm(.200")
 极数: 2*(2P~24P)

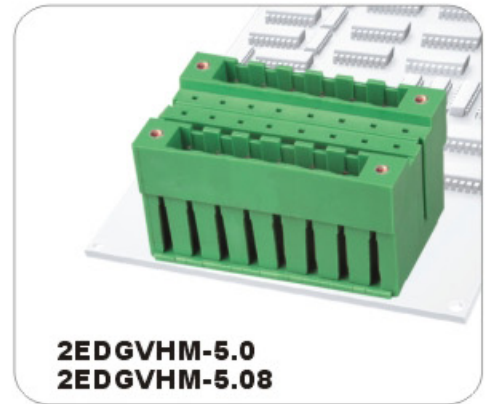
※ 材质和电镀
 塑件: PA66,UL94V-0
 焊针: 黄铜,镀锡



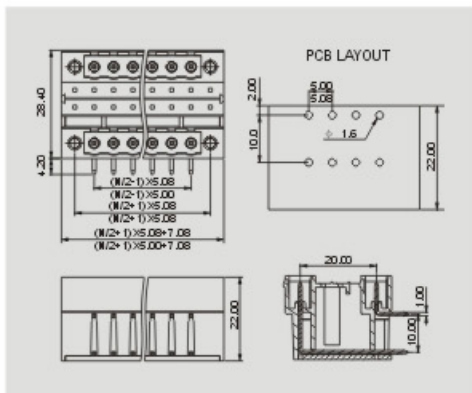
2EDGRHM-5.0
2EDGRHM-5.08





2EDGVH-5.0
2EDGVH-5.08



2EDGVHM-5.0
2EDGVHM-5.08



Pitch: 5.0,5.08mm; Poles: 2*(2P~22P)

APPROVAL :  
※ Electrical
 Standard : UL IEC
 Rated voltage : 300V 320V
 Rated current : 15A 10A
 Withstanding voltage : AC2500V/1Min

※ Mechanical
 Ambient temperature : -40°C ~ +105°C

※ Dimensions
 Pitch : 5.0mm(.197") 5.08mm(.200")
 Poles : 2*(2P~22P)

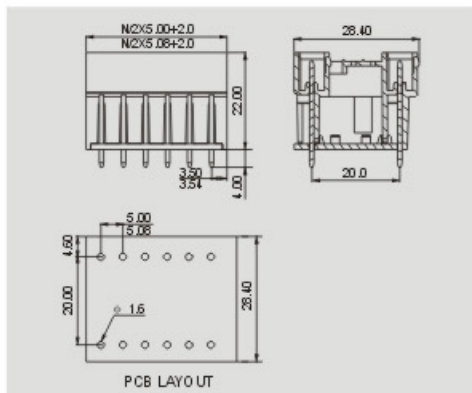
※ Material
 Housing : PA66,UL94V-0
 Pin header : Brass,Tin plated
 Nut : M2.5,Brass

※ 电气性能
 参考标准: UL IEC
 额定电压: 300V 320V
 额定电流: 15A 10A
 耐电压: AC2500V/1Min



※ 机械性能
 环境温度: -40°C ~ +105°C

※ 尺寸
 间距: 5.0mm(.197") 5.08mm(.200")
 极数: 2*(2P~22P)

※ 材质和电镀
 塑件: PA66,UL94V-0
 焊针: 黄铜,镀锡
 螺母: M2.5,黄铜



Pitch: 5.0,5.08mm; Poles: 2*(2P~24P)

APPROVAL :  
※ Electrical
 Standard : UL IEC
 Rated voltage : 300V 320V
 Rated current : 15A 10A
 Withstanding voltage : AC2500V/1Min

※ Mechanical
 Ambient temperature : -40°C ~ +105°C

※ Dimensions
 Pitch : 5.0mm(.197") 5.08mm(.200")
 Poles : 2*(2P~24P)

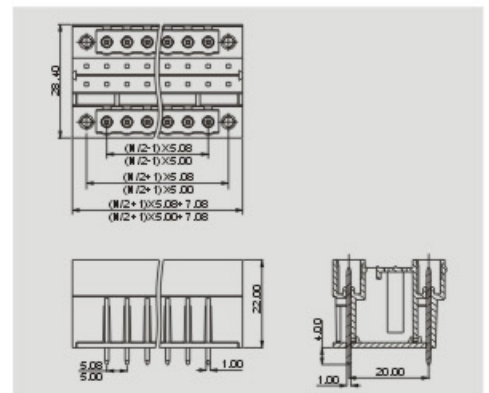
※ Material
 Housing : PA66,UL94V-0
 Pin header : Brass,Tin plated

※ 电气性能
 参考标准: UL IEC
 额定电压: 300V 320V
 额定电流: 15A 10A
 耐电压: AC2500V/1Min



※ 机械性能
 环境温度: -40°C ~ +105°C

※ 尺寸
 间距: 5.0mm(.197") 5.08mm(.200")
 极数: 2*(2P~24P)

※ 材质和电镀
 塑件: PA66,UL94V-0
 焊针: 黄铜,镀锡



Pitch: 5.0,5.08mm; Poles: 2*(2P~22P)

APPROVAL :  
※ Electrical
 Standard : UL IEC
 Rated voltage : 300V 320V
 Rated current : 15A 10A
 Withstanding voltage : AC2500V/1Min

※ Mechanical
 Ambient temperature : -40°C ~ +105°C

※ Dimensions
 Pitch : 5.0mm(.197") 5.08mm(.200")
 Poles : 2*(2P~22P)

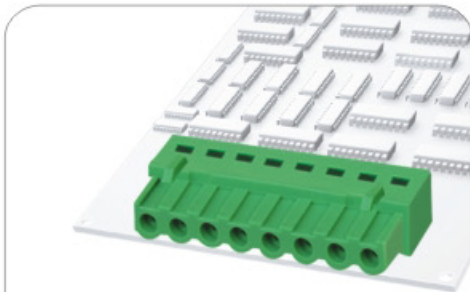
※ Material
 Housing : PA66,UL94V-0
 Pin header : Brass,Tin plated
 Nut : M2.5,Brass

※ 电气性能
 参考标准: UL IEC
 额定电压: 300V 320V
 额定电流: 15A 10A
 耐电压: AC2500V/1Min

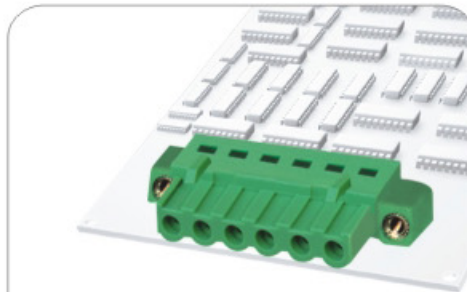
※ 机械性能
 环境温度: -40°C ~ +105°C

※ 尺寸
 间距: 5.0mm(.197") 5.08mm(.200")
 极数: 2*(2P~22P)

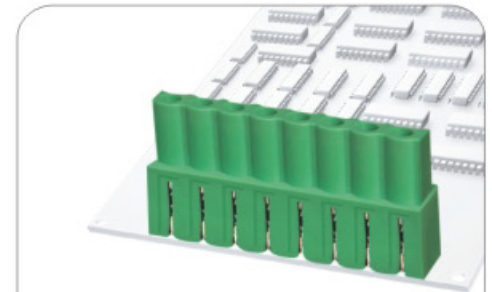
※ 材质和电镀
 塑件: PA66,UL94V-0
 焊针: 黄铜,镀锡
 螺母: M2.5,黄铜



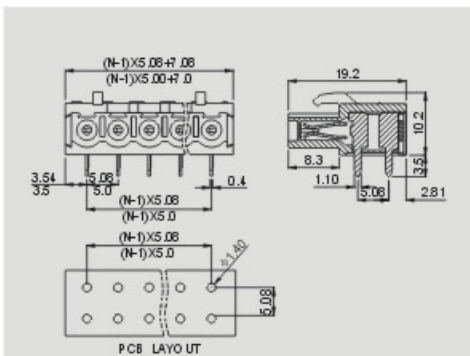
2EDGA-5.0 2EDGA-7.5
2EDGA-5.08 2EDGA-7.62



2EDGAM-5.0 2EDGAM-7.5
2EDGAM-5.08 2EDGAM-7.62



2EDGB-5.0 2EDGB-7.5
2EDGB-5.08 2EDGB-7.62



Pitch: 5.0, 5.08mm; Poles: 2P~24P
Pitch: 7.5, 7.62mm; Poles: 2P~12P

APPROVAL : In the course of application 
※ Electrical
 Standard : UL IEC
 Rated voltage : 300V 320V
 Rated current : 15A 20A
 Withstanding voltage : AC2500V/1Min

※ Mechanical
 Ambient temperature : -40°C~ +105°C

※ Dimensions
 Pitch : 5.0mm(.197") 7.5mm(.295")
 5.08mm(.200") 7.62mm(.300")
 Poles : 2P~24P 2P~12P

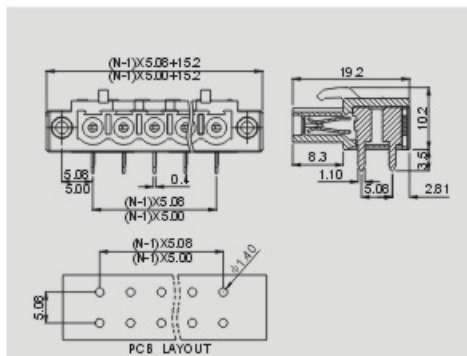
※ Material
 Housing : PA66, UL94V-0
 Contact : Phosphor bronze, Tin plated

※ 电气性能
 参考标准: UL IEC
 额定电压: 300V 320V
 额定电流: 15A 20A
 耐电压: AC2500V/1Min


※ 机械性能
 环境温度: -40°C~ +105°C

※ 尺寸
 间距: 5.0mm(.197") 7.5mm(.295")
 5.08mm(.200") 7.62mm(.300")
 极数: 2P~24P 2P~12P

※ 材质和电镀
 塑件: PA66, UL94V-0
 触点材料: 磷青铜, 镀锡



Pitch: 5.0, 5.08mm; Poles: 2P~22P
Pitch: 7.5, 7.62mm; Poles: 2P~12P

APPROVAL : In the course of application 
※ Electrical
 Standard : UL IEC
 Rated voltage : 300V 320V
 Rated current : 15A 20A
 Withstanding voltage : AC2500V/1Min

※ Mechanical
 Ambient temperature : -40°C~ +105°C

※ Dimensions
 Pitch : 5.0mm(.197") 7.5mm(.295")
 5.08mm(.200") 7.62mm(.300")
 Poles : 2P~22P 2P~12P

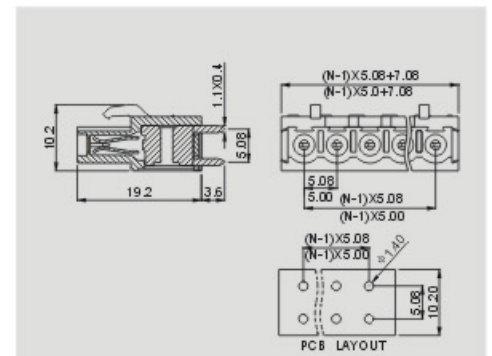
※ Material
 Housing : PA66, UL94V-0
 Contact : Phosphor bronze, Tin plated
 Nut : M2.5, Brass

※ 电气性能
 参考标准: UL IEC
 额定电压: 300V 320V
 额定电流: 15A 20A
 耐电压: AC2500V/1Min

※ 机械性能
 环境温度: -40°C~ +105°C

※ 尺寸
 间距: 5.0mm(.197") 7.5mm(.295")
 5.08mm(.200") 7.62mm(.300")
 极数: 2P~22P 2P~12P

※ 材质和电镀
 塑件: PA66, UL94V-0
 触点材料: 磷青铜, 镀锡
 螺母: M2.5, 黄铜



Pitch: 5.0, 5.08mm; Poles: 2P~24P
Pitch: 7.5, 7.62mm; Poles: 2P~12P

APPROVAL : In the course of application 
※ Electrical
 Standard : UL IEC
 Rated voltage : 300V 320V
 Rated current : 15A 20A
 Withstanding voltage : AC2500V/1Min

※ Mechanical
 Ambient temperature : -40°C~ +105°C

※ Dimensions
 Pitch : 5.0mm(.197") 7.5mm(.295")
 5.08mm(.200") 7.62mm(.300")
 Poles : 2P~24P 2P~12P

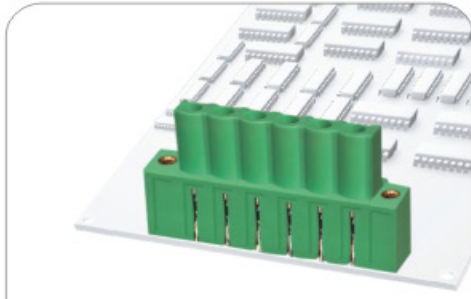
※ Material
 Housing : PA66, UL94V-0
 Contact : Phosphor bronze, Tin plated

※ 电气性能
 参考标准: UL IEC
 额定电压: 300V 320V
 额定电流: 15A 20A
 耐电压: AC2500V/1Min

※ 机械性能
 环境温度: -40°C~ +105°C

※ 尺寸
 间距: 5.0mm(.197") 7.5mm(.295")
 5.08mm(.200") 7.62mm(.300")
 极数: 2P~24P 2P~12P

※ 材质和电镀
 塑件: PA66, UL94V-0
 触点材料: 磷青铜, 镀锡



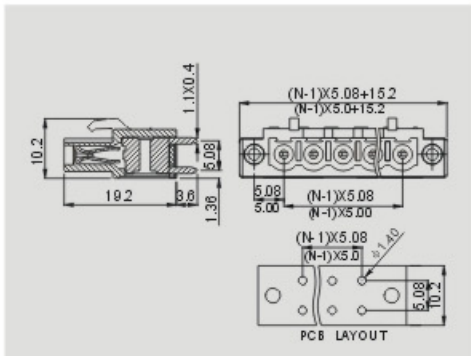
2EDGBM-5.0 2EDGBM-7.5
2EDGBM-5.08 2EDGBM-7.62




2EDGXA-5.0



2EDGXB-5.0



Pitch: 5.0,5.08mm; Poles: 2P~22P
Pitch: 7.5,7.62mm; Poles: 2P~12P

APPROVAL : In the course of application 

※ Electrical
Standard : UL IEC
Rated voltage : 300V 320V
Rated current : 15A 20A
Withstanding voltage : AC2500V/1Min

※ Mechanical
Ambient temperature : -40°C ~ +105°C

※ Dimensions
Pitch : 5.0mm (.197") 7.5mm (.295")
5.08mm (.200") 7.62mm (.300")
Poles : 2P~22P 2P~12P

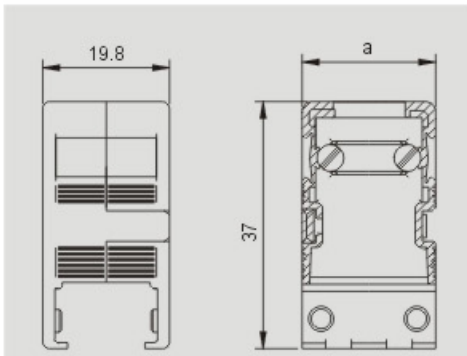
※ Material
Housing : PA66,UL94V-0
Contact : Phosphor bronze,Tin plated
Nut : M2.5,Brass

※ 电气性能
参考标准: UL IEC
额定电压: 300V 320V
额定电流: 15A 20A
耐电压: AC2500V/1Min

※ 机械性能
环境温度: -40°C ~ +105°C

※ 尺寸
间距: 5.0mm(.197") 7.5mm(.295")
5.08mm(.200") 7.62mm(.300")
极数: 2P~22P 2P~12P

※ 材质和电镀
塑件: PA66,UL94V-0
触点材料: 磷青铜,镀锡
螺母: M2.5,黄铜



Pitch: 5.0mm; Poles: 2P~3P

APPROVAL :

※ Mechanical
Ambient temperature : -40°C ~ +105°C

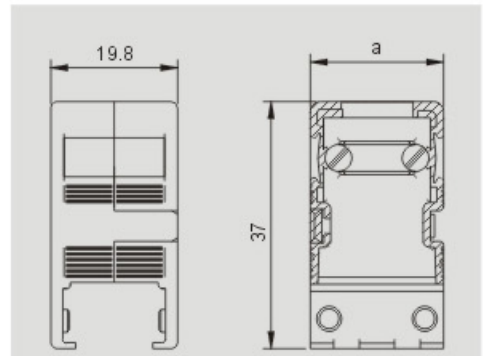
※ Dimensions
Pitch : 5.0mm (.197")
Poles : 2P~3P

※ Material
Housing : ABS,UL94V-0

※ 机械性能
环境温度: -40°C ~ +105°C

※ 尺寸
间距: 5.0mm(.197")
极数: 2P~3P

※ 材质和电镀
塑件: ABS,UL94V-0



Pitch: 5.0mm; Poles: 4P~8P

APPROVAL :

※ Mechanical
Ambient temperature : -40°C ~ +105°C

※ Dimensions
Pitch : 5.0mm (.197")
Poles : 4P~8P

※ Material
Housing : ABS,UL94V-0

※ 机械性能
环境温度: -40°C ~ +105°C

※ 尺寸
间距: 5.0mm(.197")
极数: 4P~8P

※ 材质和电镀
塑件: ABS,UL94V-0

DEVE-
LOPING



2EDGXC-5.0

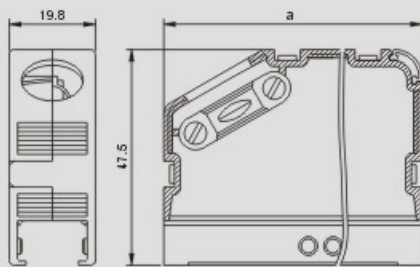
DEVE-
LOPING



2CDG-5.08



2CDGA-5.0
2CDGA-5.08



Pitch: 5.0mm; Poles: 9P~24P

APPROVAL

※Mechanical
Ambient temperature: -40°C~+105°C

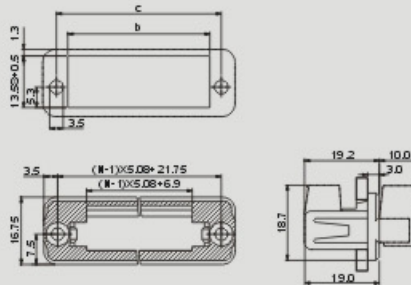
※Dimensions
Pitch : 5.0mm(.197")
Poles : 9P~24P

※Material
Housing : ABS,UL94V-0

※机械性能
环境温度: -40°C~+105°C

※尺寸
间距: 5.0mm(.197")
极数: 9P~24P

※材质和电镀
塑件: ABS,UL94V-0



Pitch: 5.08mm; Poles: 2P~24P

APPROVAL

※Mechanical
Ambient temperature: -40°C~+105°C

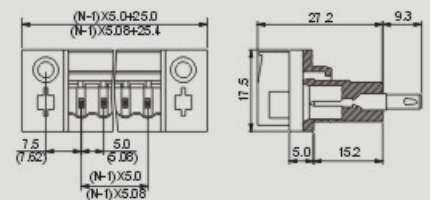
※Dimensions
Pitch : 5.08mm(.200")
Poles : 2P~24P

※Material
Housing : PA66,UL94V-0

※机械性能
环境温度: -40°C~+105°C

※尺寸
间距: 5.08mm(.200")
极数: 2P~24P

※材质和电镀
塑件: PA66,UL94V-0



Pitch: 5.0,5.08mm; Poles: 2P~22P

APPROVAL

※Electrical
Standard : UL IEC
Rated voltage : 300V 320V
Rated current : 15A 20A
Withstanding voltage : AC2500V/1Min

※Mechanical
Ambient temperature: -40°C~+105°C

※Dimensions
Pitch : 5.0mm(.197") 5.08mm(.200")
Poles : 2P~22P

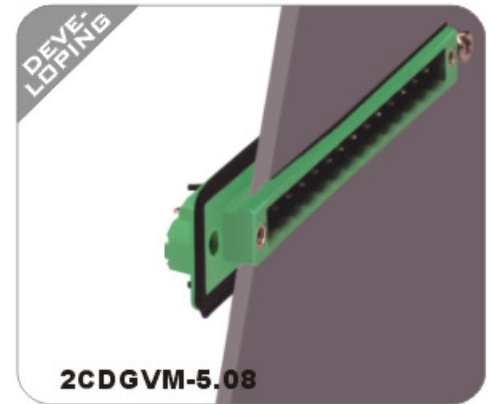
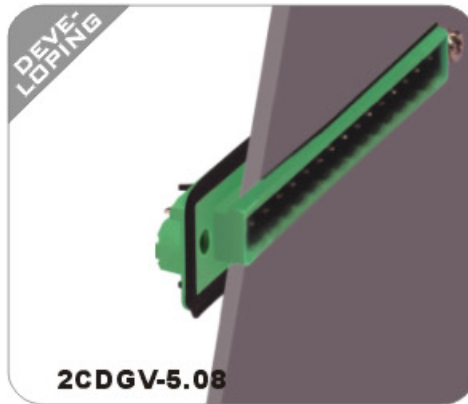
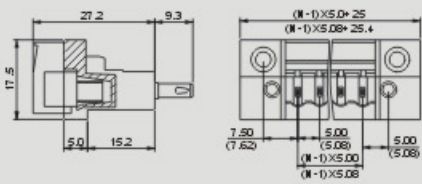
※Material
Housing : PA66,UL94V-0
Pin header : Brass,Tin plated

※电气性能
参考标准: UL IEC
额定电压: 300V 320V
额定电流: 15A 20A
耐电压: AC2500V/1Min


※机械性能
环境温度: -40°C~+105°C

※尺寸
间距: 5.0mm(.197") 5.08mm(.200")
极数: 2P~22P

※材质和电镀
塑件: PA66,UL94V-0
焊针: 黄铜,镀锡

Pitch: 5.0, 5.08mm; Poles: 2P~ 22P

APPROVAL : 

※ **Electrical**

Standard	: UL	IEC
Rated voltage	: 300V	320V
Rated current	: 15A	20A
Withstanding voltage	: AC2500V/1Min	

※ **Mechanical**

Ambient temperature: -40°C ~ +105°C

※ **Dimensions**

Pitch : 5.0mm (.197") 5.08mm (.200")
Poles : 2P~ 22P

※ **Material**

Housing : PA66, UL94V-0
Pin header : Brass, Tin plated

※ **电气性能**

参考标准:	UL	IEC
额定电压:	300V	320V
额定电流:	15A	20A
耐电压:	AC2500V/1Min	

※ **机械性能**

环境温度: -40°C ~ +105°C

※ **尺寸**

间距: 5.0mm (.197") 5.08mm (.200")
极数: 2P~ 22P

※ **材质和电镀**

塑件: PA66, UL94V-0
焊针: 黄铜, 镀锡



Pitch: 5.08mm; Poles: 2P~ 24P

APPROVAL :

※ **Electrical**

Standard	: UL	IEC
Rated voltage	: 300V	320V
Rated current	: 15A	20A
Withstanding voltage	: AC2500V/1Min	

※ **Mechanical**

Ambient temperature: -40°C ~ +105°C

※ **Dimensions**

Pitch : 5.08mm (.200")
Poles : 2P~ 24P

※ **Material**

Housing : PA66, UL94V-0
Pin header : Brass, Tin plated

※ **电气性能**

参考标准:	UL	IEC
额定电压:	300V	320V
额定电流:	15A	20A
耐电压:	AC2500V/1Min	

※ **机械性能**

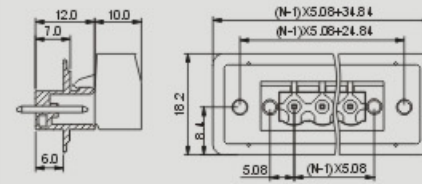
环境温度: -40°C ~ +105°C

※ **尺寸**

间距: 5.08mm (.200")
极数: 2P~ 24P

※ **材质和电镀**

塑件: PA66, UL94V-0
焊针: 黄铜, 镀锡



Pitch: 5.08mm; Poles: 2P~ 22P

APPROVAL :

※ **Electrical**

Standard	: UL	IEC
Rated voltage	: 300V	320V
Rated current	: 15A	20A
Withstanding voltage	: AC2500V/1Min	

※ **Mechanical**

Ambient temperature: -40°C ~ +105°C

※ **Dimensions**

Pitch : 5.08mm (.200")
Poles : 2P~ 22P

※ **Material**

Housing : PA66, UL94V-0
Pin header : Brass, Tin plated
Nut : M2.5, Brass

※ **电气性能**

参考标准:	UL	IEC
额定电压:	300V	320V
额定电流:	15A	20A
耐电压:	AC2500V/1Min	

※ **机械性能**

环境温度: -40°C ~ +105°C

※ **尺寸**

间距: 5.08mm (.200")
极数: 2P~ 22P

※ **材质和电镀**

塑件: PA66, UL94V-0
焊针: 黄铜, 镀锡
螺母: M2.5, 黄铜

DEVE-
LOPING



2CDGR-5.08

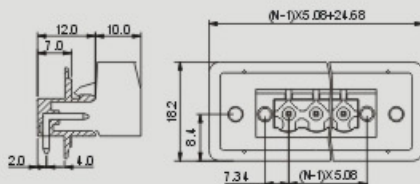
DEVE-
LOPING



2CDGRM-5.08



2EDG-STD-5.08
2EDG-STD-5.08



Pitch: 5.08mm; Poles: 2P~24P

APPROVAL

※ Electrical		
Standard	UL	IEC
Rated voltage	300V	320V
Rated current	15A	20A
Withstanding voltage	AC2500V/1Min	

※ **Mechanical**

Ambient temperature: -40°C~ +105°C

※ **Dimensions**

Pitch : 5.08mm(.200")
Poles : 2P~24P

※ **Material**

Housing : PA66,UL94V-0
Pin header : Brass,Tin plated

※ **电气性能**

参考标准:	UL	IEC
额定电压:	300V	320V
额定电流:	15A	20A
耐电压:	AC2500V/1Min	

※ **机械性能**

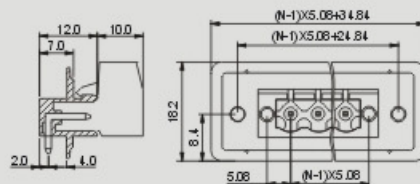
环境温度: -40°C~ +105°C

※ **尺寸**

间距: 5.08mm(.200")
极数: 2P~24P

※ **材质和电镀**

塑件: PA66,UL94V-0
焊针: 黄铜,镀锡



Pitch: 5.08mm; Poles: 2P~22P

APPROVAL

※ Electrical		
Standard	UL	IEC
Rated voltage	300V	320V
Rated current	15A	20A
Withstanding voltage	AC2500V/1Min	

※ **Mechanical**

Ambient temperature: -40°C~ +105°C

※ **Dimensions**

Pitch : 5.08mm(.200")
Poles : 2P~22P

※ **Material**

Housing : PA66,UL94V-0
Pin header : Brass,Tin plated
Nut : M2.5,Brass

※ **电气性能**

参考标准:	UL	IEC
额定电压:	300V	320V
额定电流:	15A	20A
耐电压:	AC2500V/1Min	

※ **机械性能**

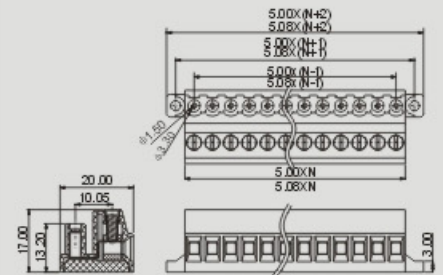
环境温度: -40°C~ +105°C

※ **尺寸**

间距: 5.08mm(.200")
极数: 2P~22P



※ **材质和电镀**

塑件: PA66,UL94V-0
焊针: 黄铜,镀锡
螺母: M2.5,黄铜



Pitch: 5.0,5.08mm; Poles: 2P~12P

APPROVAL

※ Electrical				
Standard	UL	IEC		
Rated voltage	300V	320V		
Rated current	15A	20A		
Wire range	28-12AWG		2.5mm ²	
Withstanding voltage	AC2500V/1Min			

※ **Mechanical**

Torque : 0.4 Nm(3.5Lb-In.)
Ambient temperature: -40°C~ +105°C
Strip length : 7 mm

※ **Dimensions**

Pitch : 5.0mm(.197") 5.08mm(.200")
Poles : 2P~12P

※ **Material**

Housing : PA66,UL94V-0
Screws : M2.5,steel,Cr⁺⁺Zn plated
Contact : Phosphor bronze
Cage : Brass, Ni plated

※ **电气性能**

参考标准:	UL	IEC
额定电压:	300V	320V
额定电流:	15A	20A
导线线径:	28-12AWG 2.5mm ²	
耐电压:	AC2500V/1Min	

※ **机械性能**

扭力矩: 0.4Nm(3.5Lb-In.)
环境温度: -40°C~ +105°C
剥线长度: 7mm

※ **尺寸**

间距: 5.0mm(.197") 5.08mm(.200")
极数: 2P~12P

※ **材质和电镀**

塑件: PA66,UL94V-0
螺丝: M2.5,钢,镀Cr⁺⁺钝化彩锌
触点材料: 磷青铜
方盒: 黄铜,镀镍

DEVE-
LOPING



2EDG-GB-5.08

DEVE-
LOPING

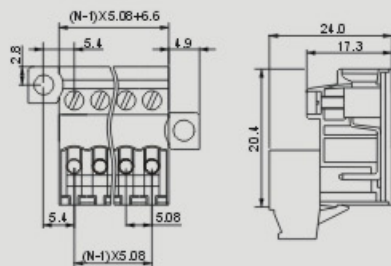


2EDG-GBM-5.08

DEVE-
LOPING



2EDG-UST-5.08



Pitch: 5.08mm; Poles: 2P~24P

APPROVAL

※ Electrical		
Standard	: UL	IEC
Rated voltage	: 300V	320V
Rated current	: 15A	20A
Wire range	: 28-12AWG 2.5mm ²	
Withstanding voltage	: AC2500V/1Min	

※ **Mechanical**

Torque	: 0.4Nm(3.5Lb-In.)
Ambient temperature	: -40°C ~ +105°C
Strip length	: 7mm

※ **Dimensions**

Pitch	: 5.08mm(.200")
Poles	: 2P~24P

※ **Material**

Housing	: PA66, UL94V-0
Screws	: M2.5, steel, Cr ⁺ Zn plated
Contact	: Copper
Cage	: Brass, Ni plated

※ **电气性能**

参考标准:	UL	IEC
额定电压:	300V	320V
额定电流:	15A	20A
导线线径:	28-12AWG 2.5mm ²	
耐电压:	AC2500V/1Min	

※ **机械性能**

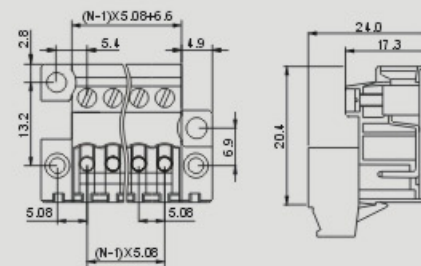
扭力矩:	0.4Nm(3.5Lb-In.)
环境温度:	-40°C ~ +105°C
剥线长度:	7mm

※ **尺寸**

间距:	5.08mm(.200")
极数:	2P~24P

※ **材质和电镀**

塑件:	PA66, UL94V-0
螺丝:	M2.5, 铜, 镀Cr ⁺ 钝化彩锌
触点材料:	紫铜
方盒:	黄铜, 镀镍



Pitch: 5.08mm; Poles: 2P~22P

APPROVAL

※ Electrical		
Standard	: UL	IEC
Rated voltage	: 300V	320V
Rated current	: 15A	20A
Wire range	: 28-12AWG 2.5mm ²	
Withstanding voltage	: AC2500V/1Min	

※ **Mechanical**

Torque	: 0.4Nm(3.5Lb-In.)
Ambient temperature	: -40°C ~ +105°C
Strip length	: 7mm

※ **Dimensions**

Pitch	: 5.08mm(.200")
Poles	: 2P~22P

※ **Material**

Housing	: PA66, UL94V-0
Screws	: M2.5, steel, Cr ⁺ Zn plated
Contact	: Copper
Cage	: Brass, Ni plated

※ **电气性能**

参考标准:	UL	IEC
额定电压:	300V	320V
额定电流:	15A	20A
导线线径:	28-12AWG 2.5mm ²	
耐电压:	AC2500V/1Min	

※ **机械性能**

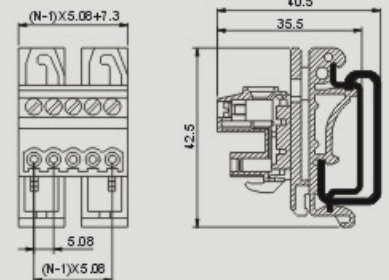
扭力矩:	0.4Nm(3.5Lb-In.)
环境温度:	-40°C ~ +105°C
剥线长度:	7mm

※ **尺寸**

间距:	5.08mm(.200")
极数:	2P~22P

※ **材质和电镀**

塑件:	PA66, UL94V-0
螺丝:	M2.5, 铜, 镀Cr ⁺ 钝化彩锌
触点材料:	紫铜
方盒:	黄铜, 镀镍



Pitch: 5.08mm; Poles: 2P~24P

APPROVAL

※ Electrical		
Standard	: UL	IEC
Rated voltage	: 300V	320V
Rated current	: 15A	20A
Wire range	: 28-12AWG 2.5mm ²	
Withstanding voltage	: AC2500V/1Min	

※ **Mechanical**

Torque	: 0.4Nm(3.5Lb-In.)
Ambient temperature	: -40°C ~ +105°C
Strip length	: 7mm

※ **Dimensions**

Pitch	: 5.08mm(.200")
Poles	: 2P~24P

※ **Material**

Housing	: PA66, UL94V-0
Screws	: M2.5, steel, Cr ⁺ Zn plated
Contact	: Phosphor bronze
Cage	: Brass, Ni plated

※ **电气性能**

参考标准:	UL	IEC
额定电压:	300V	320V
额定电流:	15A	20A
导线线径:	28-12AWG 2.5mm ²	
耐电压:	AC2500V/1Min	

※ **机械性能**

扭力矩:	0.4Nm(3.5Lb-In.)
环境温度:	-40°C ~ +105°C
剥线长度:	7mm

※ **尺寸**

间距:	5.08mm(.200")
极数:	2P~24P

※ **材质和电镀**

塑件:	PA66, UL94V-0
螺丝:	M2.5, 铜, 镀Cr ⁺ 钝化彩锌
触点材料:	磷青铜
方盒:	黄铜, 镀镍

DEVE-
LOPING



2EDG-USTM-5.08

DEVE-
LOPING

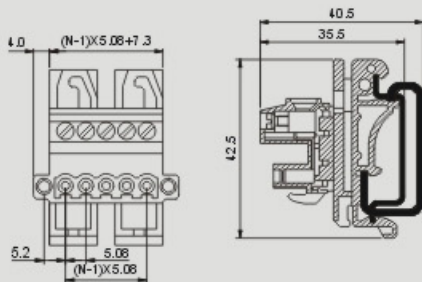


2EDG-VK-5.08

DEVE-
LOPING



2EDG-VKM-5.08



Pitch: 5.08mm; Poles: 2P~22P

APPROVAL

※ Electrical		
Standard	: UL	IEC
Rated voltage	: 300V	320V
Rated current	: 15A	20A
Wire range	: 28-12AWG	2.5mm ²
Withstanding voltage	: AC2500V/1Min	

※ **Mechanical**

Torque	: 0.4Nm(3.5Lb-In.)
Ambient temperature	: -40°C~ +105°C
Strip length	: 7mm

※ **Dimensions**

Pitch	: 5.08mm(.200")
Poles	: 2P~22P

※ **Material**

Housing	: PA66,UL94V-0
Screws	: M2.5,steel,Cr ⁺ Znplated
Contact	: Phosphor bronze
Cage	: Brass, Ni plated

※ **电气性能**

参考标准:	UL	IEC
额定电压:	300V	320V
额定电流:	15A	20A
导线线径:	28-12AWG	2.5mm ²
耐电压:	AC2500V/1Min	

※ **机械性能**

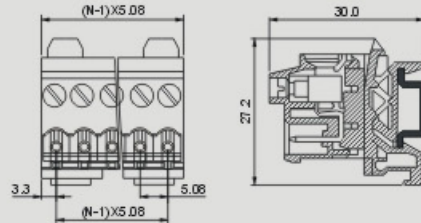
扭力矩:	0.4Nm(3.5Lb-In.)
环境温度:	-40°C~ +105°C
剥线长度:	7mm

※ **尺寸**

间距:	5.08mm(.200")
极数:	2P~22P

※ **材质和电镀**

塑件:	PA66,UL94V-0
螺丝:	M2.5,钢,镀Cr ⁺ 钝化彩锌
触点材料:	磷青铜
方盒:	黄铜镀镍



Pitch: 5.08mm; Poles: 2P~24P

APPROVAL

※ Electrical		
Standard	: UL	IEC
Rated voltage	: 300V	320V
Rated current	: 15A	20A
Wire range	: 28-12AWG	2.5mm ²
Withstanding voltage	: AC2500V/1Min	

※ **Mechanical**

Torque	: 0.4Nm(3.5Lb-In.)
Ambient temperature	: -40°C~ +105°C
Strip length	: 7mm

※ **Dimensions**

Pitch	: 5.08mm(.200")
Poles	: 2P~24P

※ **Material**

Housing	: PA66,UL94V-0
Screws	: M2.5,steel,Cr ⁺ Znplated
Contact	: Copper
Cage	: Brass, Ni plated

※ **电气性能**

参考标准:	UL	IEC
额定电压:	300V	320V
额定电流:	15A	20A
导线线径:	28-12AWG	2.5mm ²
耐电压:	AC2500V/1Min	

※ **机械性能**

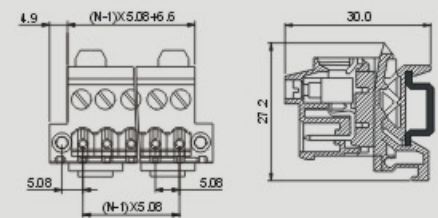
扭力矩:	0.4Nm(3.5Lb-In.)
环境温度:	-40°C~ +105°C
剥线长度:	7mm

※ **尺寸**

间距:	5.08mm(.200")
极数:	2P~24P

※ **材质和电镀**

塑件:	PA66,UL94V-0
螺丝:	M2.5,钢,镀Cr ⁺ 钝化彩锌
触点材料:	紫铜
方盒:	黄铜镀镍



Pitch: 5.08mm; Poles: 2P~22P

APPROVAL

※ Electrical		
Standard	: UL	IEC
Rated voltage	: 300V	320V
Rated current	: 15A	20A
Wire range	: 28-12AWG	2.5mm ²
Withstanding voltage	: AC2500V/1Min	

※ **Mechanical**

Torque	: 0.4Nm(3.5Lb-In.)
Ambient temperature	: -40°C~ +105°C
Strip length	: 7mm

※ **Dimensions**

Pitch	: 5.08mm(.200")
Poles	: 2P~22P

※ **Material**

Housing	: PA66,UL94V-0
Screws	: M2.5,steel,Cr ⁺ Znplated
Contact	: Copper
Cage	: Brass, Ni plated

※ **电气性能**

参考标准:	UL	IEC
额定电压:	300V	320V
额定电流:	15A	20A
导线线径:	28-12AWG	2.5mm ²
耐电压:	AC2500V/1Min	

※ **机械性能**

扭力矩:	0.4Nm(3.5Lb-In.)
环境温度:	-40°C~ +105°C
剥线长度:	7mm

※ **尺寸**

间距:	5.08mm(.200")
极数:	2P~22P

※ **材质和电镀**

塑件:	PA66,UL94V-0
螺丝:	M2.5,钢,镀Cr ⁺ 钝化彩锌
触点材料:	紫铜
方盒:	黄铜镀镍

DEVE-
LOPING



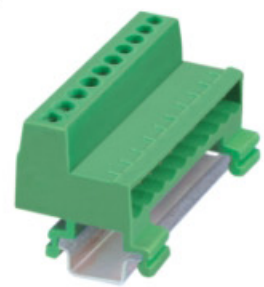
2EDG-UVK-5.08

DEVE-
LOPING

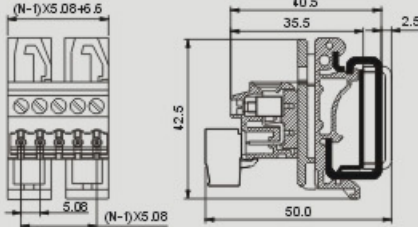


2EDG-UVKM-5.08

DEVE-
LOPING



**2EDG-HK-5.0
2EDG-HK-5.08**



Pitch: 5.08mm; Poles: 2P~24P

APPROVAL

Standard	: UL	IEC
Rated voltage	: 300V	320V
Rated current	: 15A	20A
Wire range	: 28-12AWG	2.5mm ²
Withstanding voltage	: AC2500V/1Min	

※ Mechanical

Torque	: 0.4Nm(3.5Lb-In.)
Ambient temperature	: -40°C~+105°C
Strip length	: 7mm

※ Dimensions

Pitch	: 5.08mm(.200")
Poles	: 2P~24P

※ Material

Housing	: PA66,UL94V-0
Screws	: M2.5,steel,Cr ⁺ Znplated
Contact	: Copper
Cage	: Brass, Ni plated

※电气性能

参考标准:	UL	IEC
额定电压:	300V	320V
额定电流:	15A	20A
导线线径:	28-12AWG	2.5mm ²
耐电压:	AC2500V/1Min	

※机械性能

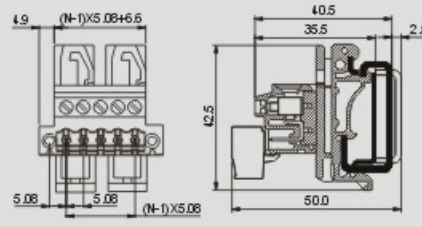
扭力矩:	0.4Nm(3.5Lb-In.)
环境温度:	-40°C~+105°C
剥线长度:	7mm

※尺寸

间距:	5.08mm(.200")
极数:	2P~24P

※材质和电镀

塑件:	PA66,UL94V-0
螺丝:	M2.5,铜,镀Cr ⁺ 钝化彩锌
触点材料:	紫铜
方盒:	黄铜镀镍



Pitch: 5.08mm; Poles: 2P~22P

APPROVAL

Standard	: UL	IEC
Rated voltage	: 300V	320V
Rated current	: 15A	20A
Wire range	: 28-12AWG	2.5mm ²
Withstanding voltage	: AC2500V/1Min	

※ Mechanical

Torque	: 0.4Nm(3.5Lb-In.)
Ambient temperature	: -40°C~+105°C
Strip length	: 7mm

※ Dimensions

Pitch	: 5.08mm(.200")
Poles	: 2P~22P

※ Material

Housing	: PA66,UL94V-0
Screws	: M2.5,steel,Cr ⁺ Znplated
Contact	: Copper
Cage	: Brass, Ni plated

※电气性能

参考标准:	UL	IEC
额定电压:	300V	320V
额定电流:	15A	20A
导线线径:	28-12AWG	2.5mm ²
耐电压:	AC2500V/1Min	

※机械性能

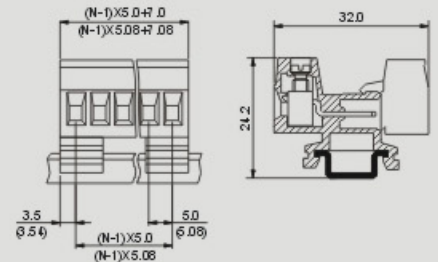
扭力矩:	0.4Nm(3.5Lb-In.)
环境温度:	-40°C~+105°C
剥线长度:	7mm

※尺寸

间距:	5.08mm(.200")
极数:	2P~22P

※材质和电镀

塑件:	PA66,UL94V-0
螺丝:	M2.5,铜,镀Cr ⁺ 钝化彩锌
触点材料:	紫铜
方盒:	黄铜镀镍



Pitch: 5.0,5.08mm; Poles: 2P~24P

APPROVAL

Standard	: UL	IEC
Rated voltage	: 300V	320V
Rated current	: 15A	20A
Wire range	: 28-12AWG	2.5mm ²
Withstanding voltage	: AC2500V/1Min	

※ Mechanical

Torque	: 0.4Nm(3.5Lb-In.)
Ambient temperature	: -40°C~+105°C
Strip length	: 7mm

※ Dimensions

Pitch	: 5.0mm(.197")5.08mm(.200")
Poles	: 2P~24P

※ Material

Housing	: PA66,UL94V-0
Screws	: M2.5,steel,Cr ⁺ Znplated
Contact	: Copper
Cage	: Brass, Ni plated

※电气性能

参考标准:	UL	IEC
额定电压:	300V	320V
额定电流:	15A	20A
导线线径:	28-12AWG	2.5mm ²
耐电压:	AC2500V/1Min	

※机械性能

扭力矩:	0.4Nm(3.5Lb-In.)
环境温度:	-40°C~+105°C
剥线长度:	7mm

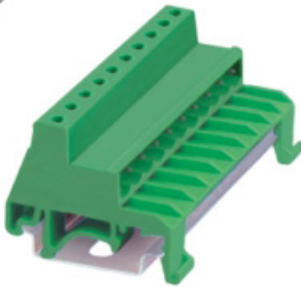
※尺寸

间距:	5.0mm(.197")5.08mm(.200")
极数:	2P~24P

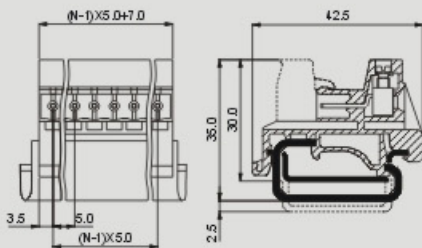
※材质和电镀

塑件:	PA66,UL94V-0
螺丝:	M2.5,铜,镀Cr ⁺ 钝化彩锌
触点材料:	紫铜
方盒:	黄铜镀镍

DEVE-
LOPING



2EDG-UHK-5.0



Pitch: 5.0mm; Poles: 2P~24P

APPROVAL

※ **Electrical**

Standard	: UL	IEC
Rated voltage	: 300V	320V
Rated current	: 15A	20A
Wire range	: 28-12AWG	2.5mm ²
Withstanding voltage	: AC2500V/1Min	

※ **Mechanical**

Torque	: 0.4Nm(3.5Lb-In.)
Ambient temperature	: -40°C~ +105°C
Strip length	: 7mm

※ **Dimensions**

Pitch	: 5.0mm(.197")
Poles	: 2P~24P

※ **Material**

Housing	: PA66,UL94V-0
Screws	: M2.5,steel,Cr ⁺⁺ Znplated
Contact	: Copper
Cage	: Brass, Ni plated

※ **电气性能**

参考标准:	UL	IEC
额定电压:	300V	320V
额定电流:	15A	20A
导线线径:	28-12AWG	2.5mm ²
耐电压:	AC2500V/1Min	

※ **机械性能**

扭力矩:	0.4Nm(3.5Lb-In.)
环境温度:	-40°C~ +105°C
剥线长度:	7mm

※ **尺寸**

间距:	5.0mm(.197")
极数:	2P~24P

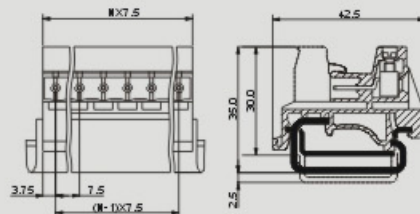
※ **材质和电镀**

塑件:	PA66,UL94V-0
螺丝:	M2.5,钢,镀Cr ⁺⁺ 钝化彩锌
触点材料:	紫铜
方盒:	黄铜镀镍

DEVE-
LOPING



2EDG-UHK-7.5



Pitch: 7.5mm; Poles: 2P~12P

APPROVAL

※ **Electrical**

Standard	: UL	IEC
Rated voltage	: 300V	400V
Rated current	: 15A	20A
Wire range	: 28-12AWG	2.5mm ²
Withstanding voltage	: AC2500V/1Min	

※ **Mechanical**

Torque	: 0.4Nm(3.5Lb-In.)
Ambient temperature	: -40°C~ +105°C
Strip length	: 7mm

※ **Dimensions**

Pitch	: 7.5mm(.295")
Poles	: 2P~12P

※ **Material**

Housing	: PA66,UL94V-0
Screws	: M2.5,steel,Cr ⁺⁺ Znplated
Contact	: Copper
Cage	: Brass, Ni plated

※ **电气性能**

参考标准:	UL	IEC
额定电压:	300V	400V
额定电流:	15A	20A
导线线径:	28-12AWG	2.5mm ²
耐电压:	AC2500V/1Min	

※ **机械性能**

扭力矩:	0.4Nm(3.5Lb-In.)
环境温度:	-40°C~ +105°C
剥线长度:	7mm

※ **尺寸**

间距:	7.5mm(.295")
极数:	2P~12P

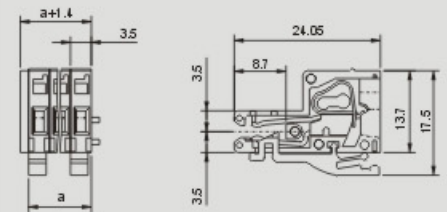
※ **材质和电镀**

塑件:	PA66,UL94V-0
螺丝:	M2.5,钢,镀Cr ⁺⁺ 钝化彩锌
触点材料:	紫铜
方盒:	黄铜镀镍

DEVE-
LOPING



DEC-3.5



Pitch: 3.5mm; Poles: 2P~24P

APPROVAL

※ **Electrical**

Standard	: UL	IEC
Rated voltage	: 300V	130V
Rated current	: 8A	10A
Wire range	: 24-16AWG	1.0mm ²
Withstanding voltage	: AC2000V/1Min	

※ **Mechanical**

Ambient temperature	: -40°C~ +105°C
Strip length	: 7mm

※ **Dimensions**

Pitch	: 3.5mm(.138")
Poles	: 2P~24P

※ **Material**

Contact	: Phosphor bronze
Wire guard	: Stainless steel

※ **电气性能**

参考标准:	UL	IEC
额定电压:	300V	130V
额定电流:	8A	10A
导线线径:	24-16AWG	1.0mm ²
耐电压:	AC2000V/1Min	

※ **机械性能**

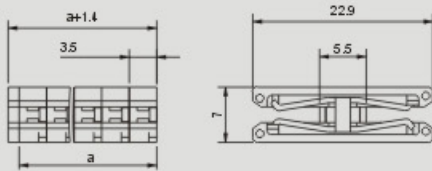
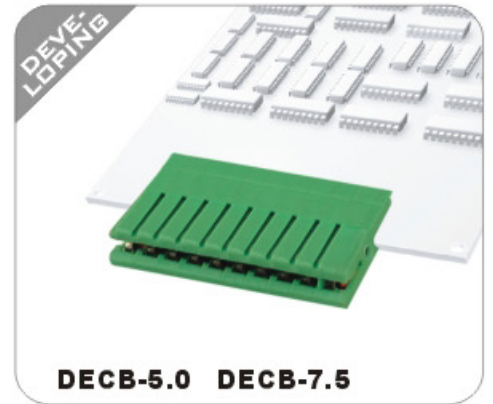
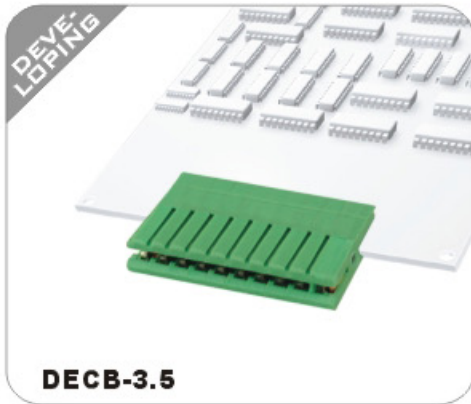
环境温度:	-40°C~ +105°C
剥线长度:	7mm

※ **尺寸**

间距:	3.5mm(.138")
极数:	2P~24P

※ **材质和电镀**

触点材料:	磷青铜
簧片:	不锈钢



Pitch: 3.5mm; Poles: 2P~24P

APPROVAL :
 ※ **Electrical**
 Standard : UL IEC
 Rated voltage : 300V 130V
 Rated current : 8A 10A
 Withstanding voltage : AC2000V/1Min

※ **Mechanical**
 Ambient temperature : -40°C ~ +105°C

※ **Dimensions**
 Pitch : 3.5mm (.138")
 Poles : 2P~24P

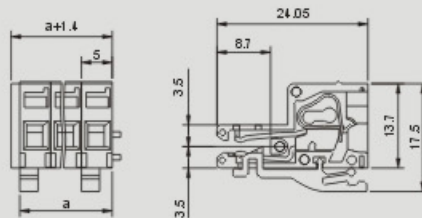
※ **Material**
 Housing : PA66, UL94V-0
 Contact : Phosphor bronze

※ **电气性能**
 参考标准: UL IEC
 额定电压: 300V 130V
 额定电流: 8A 10A
 耐电压: AC2000V/1Min

※ **机械性能**
 环境温度: -40°C ~ +105°C

※ **尺寸**
 间距: 3.5mm (.138")
 极数: 2P~24P

※ **材质和电镀**
 塑件: PA66, UL94V-0
 触点材料: 磷青铜



Pitch: 5.0mm; Poles: 2P~24P
 Pitch: 7.5mm; Poles: 2P~12P

APPROVAL :
 ※ **Electrical**
 Standard : UL IEC
 Rated voltage : 300V 320V, 400V
 Rated current : 10A 20A
 Wire range : 28-12AWG 2.5mm²
 Withstanding voltage : AC2500V/1Min

※ **Mechanical**
 Ambient temperature : -40°C ~ +105°C
 Strip length : 7mm

※ **Dimensions**
 Pitch : 5.0mm (.197") 7.5mm (.295")
 Poles : 2P~24P 2P~12P

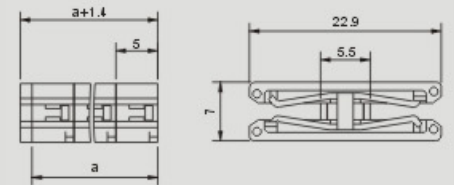
※ **Material**
 Housing : PA66, UL94V-0
 Contact : Phosphor bronze
 Wire guard : Stainless steel

※ **电气性能**
 参考标准: UL IEC
 额定电压: 300V 320V, 400V
 额定电流: 10A 20A
 导线线径: 28-12AWG 2.5mm²
 耐电压: AC2500V/1Min

※ **机械性能**
 环境温度: -40°C ~ +105°C
 剥线长度: 7mm

※ **尺寸**
 间距: 5.0mm (.197") 7.5mm (.295")
 极数: 2P~24P 2P~12P

※ **材质和电镀**
 塑件: PA66, UL94V-0
 触点材料: 磷青铜
 簧片: 不锈钢



Pitch: 5.0mm; Poles: 2P~24P
 Pitch: 7.5mm; Poles: 2P~12P

APPROVAL :
 ※ **Electrical**
 Standard : UL IEC
 Rated voltage : 300V 320V, 400V
 Rated current : 10A 20A
 Withstanding voltage : AC2500V/1Min

※ **Mechanical**
 Ambient temperature : -40°C ~ +105°C

※ **Dimensions**
 Pitch : 5.0mm (.197") 7.5mm (.295")
 Poles : 2P~24P 2P~12P

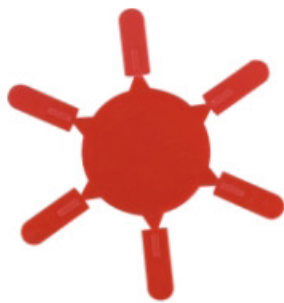
※ **Material**
 Housing : PA66, UL94V-0
 Contact : Phosphor bronze

※ **电气性能**
 参考标准: UL IEC
 额定电压: 300V 320V, 400V
 额定电流: 10A 20A
 耐电压: AC2500V/1Min

※ **机械性能**
 环境温度: -40°C ~ +105°C

※ **尺寸**
 间距: 5.0mm (.197") 7.5mm (.295")
 极数: 2P~24P 2P~12P

※ **材质和电镀**
 塑件: PA66, UL94V-0
 触点材料: 磷青铜

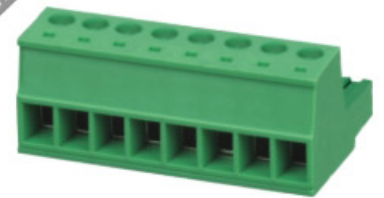


2EDG-PWI

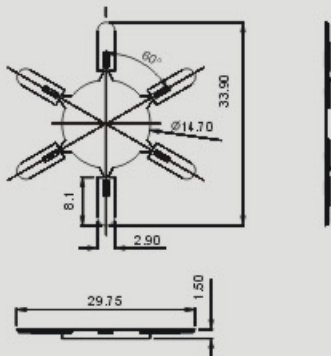


2EDG-PWP

DEVE-
LOPING



5EDGK-7.62

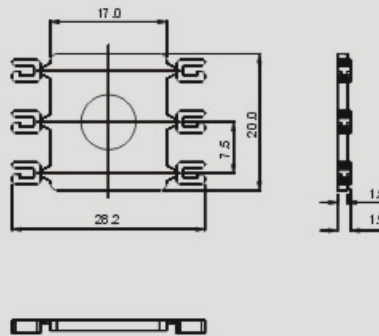


APPROVAL

- ※ **Mechanical**
- Ambient temperature: -40°C ~ +105°C
- ※ **Material**
- Housing : PA66, UL94V-0

※ 机械性能
环境温度: -40°C ~ +105°C

※ 材质和电镀
塑 件 : PA66, UL94V-0

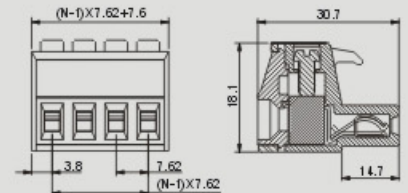


APPROVAL

- ※ **Mechanical**
- Ambient temperature: -40°C ~ +105°C
- ※ **Material**
- Housing : PA66, UL94V-0

※ 机械性能
环境温度: -40°C ~ +105°C

※ 材质和电镀
塑 件 : PA66, UL94V-0



Pitch: 7.62mm; Poles: 2P~12P

APPROVAL

- ※ **Electrical**
- Standard : UL IEC
- Rated voltage : 300V 400V
- Rated current : 20A 32A
- Wire range : 24-10AWG 4mm²
- Withstanding voltage : AC2500V/1Min

※ **Mechanical**

- Torque : 0.5Nm(4.4Lb-In.)
- Ambient temperature: -40°C ~ +105°C
- Strip length : 7mm

※ **Dimensions**

- Pitch : 7.62mm(.300")
- Poles : 2P~12P

※ **Material**

- Housing : PA66, UL94V-0
- Screws : M3, steel, Cr⁺ Zn plated
- Contact : Phosphor bronze, Ni plated
- Cage : Brass, Ni plated

※ 电气性能

- 参考标准: UL IEC
- 额定电压: 300V 400V
- 额定电流: 20A 32A
- 导线线径: 24-10AWG 4mm²
- 耐电压: AC2500V/1Min

※ 机械性能

- 扭力矩: 0.5Nm(4.4Lb-In.)
- 环境温度: -40°C ~ +105°C
- 剥线长度: 7mm

※ 尺寸

- 间距: 7.62mm(.300")
- 极数: 2P~12P

※ 材质和电镀

- 塑 件 : PA66, UL94V-0
- 螺 丝 : M3, 钢, 镀Cr⁺钝化彩锌
- 触点材料 : 磷青铜
- 方 盒 : 黄铜镀镍

DEVE-
LOPING



5EDGKM-7.62

DEVE-
LOPING

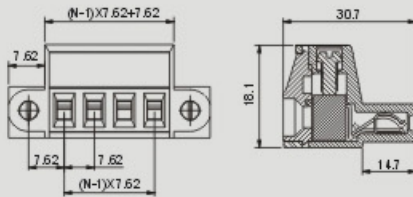


5EDGKH-7.62

DEVE-
LOPING



5EDGKHM-7.62



Pitch: 7.62mm; Poles: 2P~12P

APPROVAL

※ **Electrical**
Standard : UL IEC
Rated voltage : 300V 400V
Rated current : 20A 32A
Wire range : 24-10AWG 4mm²
Withstanding voltage : AC2500V/1Min

※ **Mechanical**

Torque : 0.5Nm(4.4Lb-In.)
Ambient temperature : -40°C~+105°C
Strip length : 7mm

※ **Dimensions**

Pitch : 7.62mm(.300")
Poles : 2P~12P

※ **Material**

Housing : PA66,UL94V-0
Screws : M3,steel,Cr⁺Znplated
Contact : Phosphor bronze, Ni plated
Cage : Brass, Ni plated

※ **电气性能**

参考标准: UL IEC
额定电压: 300V 400V
额定电流: 20A 32A
导线线径: 24-10AWG 4mm²
耐电压: AC2500V/1Min

※ **机械性能**

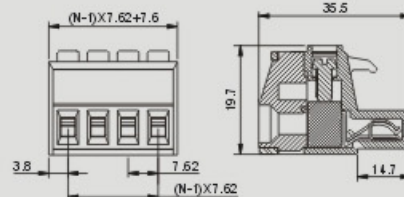
扭力矩: 0.5Nm(4.4Lb-In.)
环境温度: -40°C~+105°C
剥线长度: 7mm

※ **尺寸**

间距: 7.62mm(.300")
极数: 2P~12P

※ **材质和电镀**

塑件: PA66,UL94V-0
螺丝: M3,钢,镀Cr⁺钝化彩锌
触点材料: 磷青铜
方盒: 黄铜镀镍



Pitch: 7.62mm; Poles: 2P~12P

APPROVAL

※ **Electrical**
Standard : UL IEC
Rated voltage : 600V 800V
Rated current : 20A 32A
Wire range : 24-10AWG 4mm²
Withstanding voltage : AC3500V/1Min

※ **Mechanical**

Torque : 0.5Nm(4.4Lb-In.)
Ambient temperature : -40°C~+105°C
Strip length : 7mm

※ **Dimensions**

Pitch : 7.62mm(.300")
Poles : 2P~12P

※ **Material**

Housing : PA66,UL94V-0
Screws : M3,steel,Cr⁺Znplated
Contact : Phosphor bronze, Ni plated
Cage : Brass, Ni plated

※ **电气性能**

参考标准: UL IEC
额定电压: 600V 800V
额定电流: 20A 32A
导线线径: 24-10AWG 4mm²
耐电压: AC3500V/1Min

※ **机械性能**

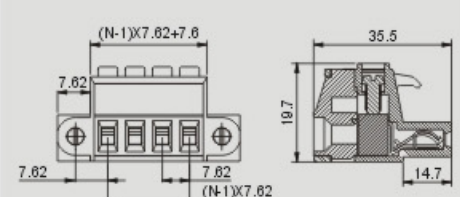
扭力矩: 0.5Nm(4.4Lb-In.)
环境温度: -40°C~+105°C
剥线长度: 7mm

※ **尺寸**

间距: 7.62mm(.300")
极数: 2P~12P

※ **材质和电镀**

塑件: PA66,UL94V-0
螺丝: M3,钢,镀Cr⁺钝化彩锌
触点材料: 磷青铜
方盒: 黄铜镀镍



Pitch: 7.62mm; Poles: 2P~12P

APPROVAL

※ **Electrical**
Standard : UL IEC
Rated voltage : 600V 800V
Rated current : 20A 32A
Wire range : 24-10AWG 4mm²
Withstanding voltage : AC3500V/1Min

※ **Mechanical**

Torque : 0.5Nm(4.4Lb-In.)
Ambient temperature : -40°C~+105°C
Strip length : 7mm

※ **Dimensions**

Pitch : 7.62mm(.300")
Poles : 2P~12P

※ **Material**

Housing : PA66,UL94V-0
Screws : M3,steel,Cr⁺Znplated
Contact : Phosphor bronze, Ni plated
Cage : Brass, Ni plated

※ **电气性能**

参考标准: UL IEC
额定电压: 600V 800V
额定电流: 20A 32A
导线线径: 24-10AWG 4mm²
耐电压: AC3500V/1Min

※ **机械性能**

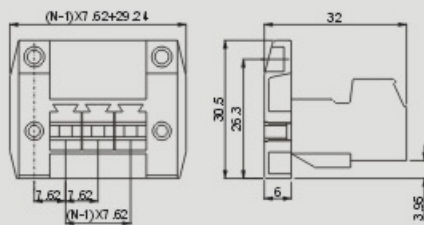
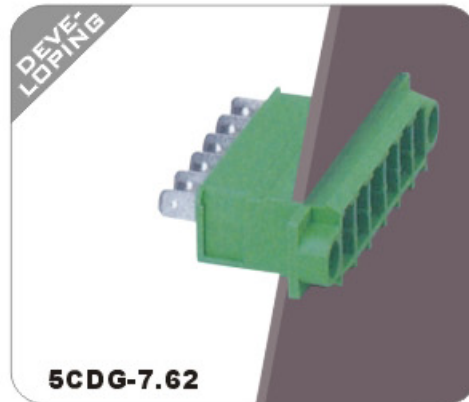
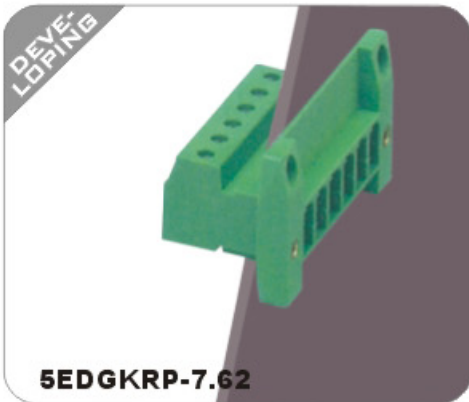
扭力矩: 0.5Nm(4.4Lb-In.)
环境温度: -40°C~+105°C
剥线长度: 7mm

※ **尺寸**

间距: 7.62mm(.300")
极数: 2P~12P

※ **材质和电镀**

塑件: PA66,UL94V-0
螺丝: M3,钢,镀Cr⁺钝化彩锌
触点材料: 磷青铜
方盒: 黄铜镀镍



Pitch: 7.62mm; Poles: 2P~12P

APPROVAL

※ **Electrical**

Standard	: UL	IEC
Rated voltage	: 600V	800V
Rated current	: 20A	32A
Wire range	: 24-10AWG 4mm ²	
Withstanding voltage	: AC3500V/1Min	

※ **Mechanical**

Torque	: 0.5Nm(4.4Lb-In.)
Ambient temperature	: -40°C~ +105°C
Strip length	: 7mm

※ **Dimensions**

Pitch	: 7.62mm(.300")
Poles	: 2P~12P

※ **Material**

Housing	: PA66,UL94V-0
Screws	: M3,steel,Cr ⁺ Zn plated
Contact	: Phosphor bronze, Ni plated
Cage	: Brass, Ni plated

※ **电气性能**

参考标准	: UL	IEC
额定电压	: 600V	800V
额定电流	: 20A	32A
导线线径	: 24-10AWG 4mm ²	
耐电压	: AC3500V/1Min	

※ **机械性能**

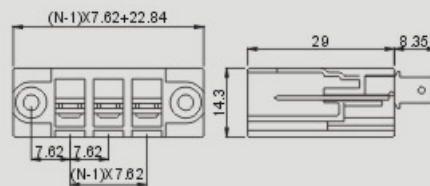
扭力矩	: 0.5Nm(4.4Lb-In.)
环境温度	: -40°C~ +105°C
剥线长度	: 7mm

※ **尺寸**

间距	: 7.62mm(.300")
极数	: 2P~12P

※ **材质和电镀**

塑件	: PA66,UL94V-0
螺丝	: M3,铜,镀Cr ⁺ 钝化彩锌
触点材料	: 磷青铜
方盒	: 黄铜,镀镍



Pitch: 7.62mm; Poles: 2P~12P

APPROVAL

※ **Electrical**

Standard	: UL	IEC
Rated voltage	: 300V	400V
Rated current	: 20A	32A
Withstanding voltage	: AC2500V/1Min	

※ **Mechanical**

Ambient temperature : -40°C~ +105°C

※ **Dimensions**

Pitch	: 7.62mm(.300")
Poles	: 2P~12P

※ **Material**

Housing	: PA66,UL94V-0
Pin header	: Brass,T,in plated

※ **电气性能**

参考标准	: UL	IEC
额定电压	: 300V	400V
额定电流	: 20A	32A
耐电压	: AC2500V/1Min	

※ **机械性能**

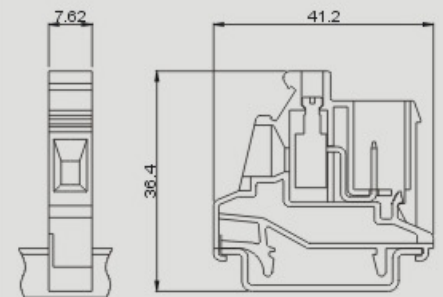
环境温度: -40°C~ +105°C

※ **尺寸**

间距	: 7.62mm(.300")
极数	: 2P~12P

※ **材质和电镀**

塑件	: PA66,UL94V-0
焊针	: 黄铜,镀镍



Pitch: 7.62mm; Poles: 2P~12P

APPROVAL

※ **Electrical**

Standard	: UL	IEC
Rated voltage	: 600V	800V
Rated current	: 20A	32A
Wire range	: 24-10AWG 4mm ²	
Withstanding voltage	: AC3500V/1Min	

※ **Mechanical**

Torque	: 0.5Nm(4.4Lb-In.)
Ambient temperature	: -40°C~ +105°C
Strip length	: 7mm

※ **Dimensions**

Pitch	: 7.62mm(.300")
Poles	: 2P~12P

※ **Material**

Housing	: PA66,UL94V-0
Screws	: M3,steel,Cr ⁺ Zn plated
Contact	: Phosphor bronze, Ni plated
Cage	: Brass, Ni plated

※ **电气性能**

参考标准	: UL	IEC
额定电压	: 600V	800V
额定电流	: 20A	32A
导线线径	: 24-10AWG 4mm ²	
耐电压	: AC3500V/1Min	

※ **机械性能**

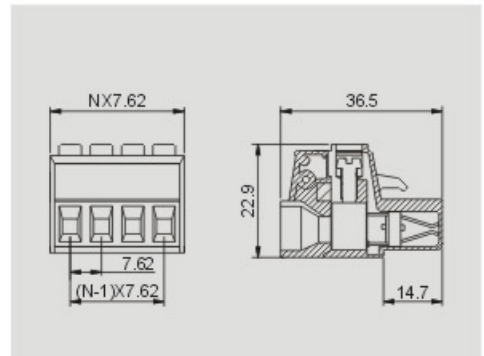
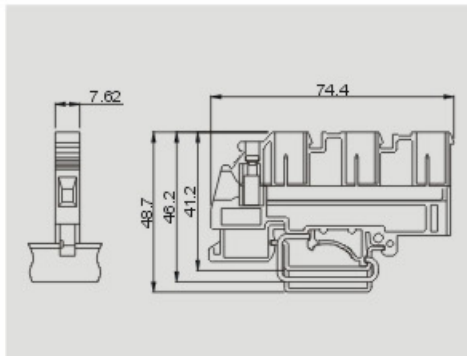
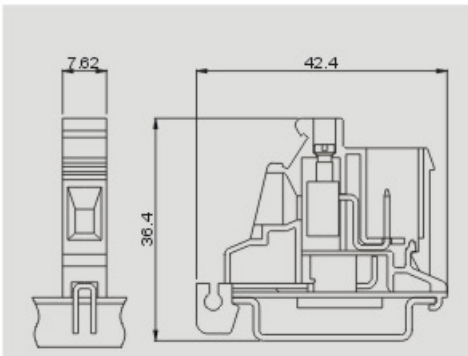
扭力矩	: 0.5Nm(4.4Lb-In.)
环境温度	: -40°C~ +105°C
剥线长度	: 7mm

※ **尺寸**

间距	: 7.62mm(.300")
极数	: 2P~12P

※ **材质和电镀**

塑件	: PA66,UL94V-0
螺丝	: M3,铜,镀Cr ⁺ 钝化彩锌
触点材料	: 磷青铜
方盒	: 黄铜,镀镍



Pitch: 7.62mm; Poles: 2P~12P

Pitch: 7.62mm; Poles: 2P~12P

Pitch: 7.62mm; Poles: 2P~12P

APPROVAL :
 ※ **Electrical**
 Standard : UL IEC
 Rated voltage :
 Rated current :
 Wire range : 24-10AWG 4mm²
 Withstanding voltage : AC3500V/1Min

※ **Mechanical**
 Torque : 0.5Nm(4.4Lb-In.)
 Ambient temperature : -40°C ~ +105°C
 Strip length : 7mm

※ **Dimensions**
 Pitch : 7.62mm(.300")
 Poles : 2P~12P

※ **Material**
 Housing : PA66,UL94V-0
 Screws : M3,steel,Cr⁺⁺Znplated
 Contact : Phosphor bronze, Ni plated
 Cage : Brass, Ni plated

※ **电气性能**
 参考标准: UL IEC
 额定电压:
 额定电流:
 导线线径: 24-10AWG 4mm²
 耐电压: AC3500V/1Min

※ **机械性能**
 扭力矩: 0.5Nm(4.4Lb-In.)
 环境温度: -40°C ~ +105°C
 剥线长度: 7mm

※ **尺寸**
 间距: 7.62mm(.300")
 极数: 2P~12P

※ **材质和电镀**
 塑件: PA66,UL94V-0
 螺丝: M3,铜,镀Cr⁺⁺钝化彩锌
 触点材料: 磷青铜
 方盒: 黄铜镀镍

APPROVAL :
 ※ **Electrical**
 Standard : UL IEC
 Rated voltage : 600V 800V
 Rated current : 20A 32A
 Wire range : 24-10AWG 4mm²
 Withstanding voltage : AC3500V/1Min

※ **Mechanical**
 Torque : 0.5Nm(4.4Lb-In.)
 Ambient temperature : -40°C ~ +105°C
 Strip length : 7mm

※ **Dimensions**
 Pitch : 7.62mm(.300")
 Poles : 2P~12P

※ **Material**
 Housing : PA66,UL94V-0
 Screws : M3,steel,Cr⁺⁺Znplated
 Contact : Phosphor bronze, Ni plated
 Cage : Brass, Ni plated

※ **电气性能**
 参考标准: UL IEC
 额定电压: 600V 800V
 额定电流: 20A 32A
 导线线径: 24-10AWG 4mm²
 耐电压: AC3500V/1Min

※ **机械性能**
 扭力矩: 0.5Nm(4.4Lb-In.)
 环境温度: -40°C ~ +105°C
 剥线长度: 7mm

※ **尺寸**
 间距: 7.62mm(.300")
 极数: 2P~12P

※ **材质和电镀**
 塑件: PA66,UL94V-0
 螺丝: M3,铜,镀Cr⁺⁺钝化彩锌
 触点材料: 磷青铜
 方盒: 黄铜镀镍

APPROVAL :
 ※ **Electrical**
 Standard : UL IEC
 Rated voltage : 600V 800V
 Rated current : 20A 32A
 Wire range : 28-10AWG 4mm²
 Withstanding voltage : AC3500V/1Min

※ **Mechanical**
 Torque : 0.5Nm(4.4Lb-In.)
 Ambient temperature : -40°C ~ +105°C
 Strip length : 10mm

※ **Dimensions**
 Pitch : 7.62mm(.300")
 Poles : 2P~12P

※ **Material**
 Housing : PA66,UL94V-0
 Screws : M3,steel,Cr⁺⁺Znplated
 Contact : Phosphor bronze, Ni plated
 Cage : Brass, Ni plated

※ **电气性能**
 参考标准: UL IEC
 额定电压: 600V 800V
 额定电流: 20A 32A
 导线线径: 28-10AWG 4mm²
 耐电压: AC3500V/1Min

※ **机械性能**
 扭力矩: 0.5Nm(4.4Lb-In.)
 环境温度: -40°C ~ +105°C
 剥线长度: 10mm

※ **尺寸**
 间距: 7.62mm(.300")
 极数: 2P~12P

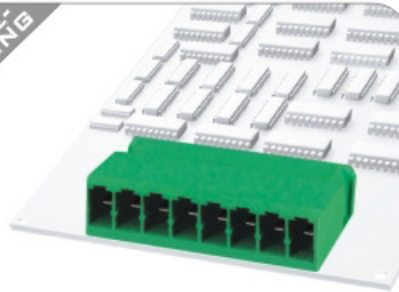
※ **材质和电镀**
 塑件: PA66,UL94V-0
 螺丝: M3,铜,镀Cr⁺⁺钝化彩锌
 触点材料: 磷青铜
 方盒: 黄铜镀镍

DEVE-
LOPING



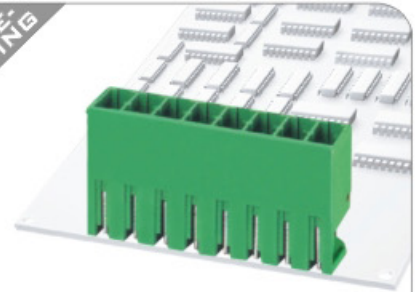
5EDGKHHM-7.62

DEVE-
LOPING

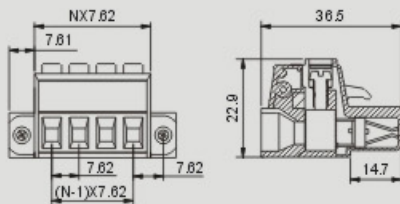


5EDGRC-7.62

DEVE-
LOPING



5EDGVC-7.62



Pitch: 7.62mm; Poles: 2P~12P

APPROVAL

※ **Electrical**
Standard : UL IEC
Rated voltage : 600V 800V
Rated current : 20A 32A
Wire range : 28-10AWG 4mm²
Withstanding voltage : AC3500V/1Min

※ **Mechanical**

Torque : 0.5Nm(4.4Lb-In.)
Ambient temperature : -40°C ~ +105°C
Strip length : 10mm

※ **Dimensions**

Pitch : 7.62mm(.300")
Poles : 2P~12P

※ **Material**

Housing : PA66, UL94V-0
Screws : M3, steel, Cr³⁺ Zn plated
Contact : Phosphor bronze, Ni plated
Cage : Brass, Ni plated

※ **电气性能**

参考标准: UL IEC
额定电压: 600V 800V
额定电流: 20A 32A
导线线径: 28-10AWG 4mm²
耐电压: AC3500V/1Min

※ **机械性能**

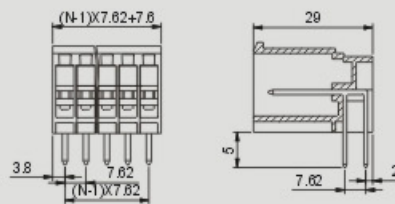
扭力矩: 0.5Nm(4.4Lb-In.)
环境温度: -40°C ~ +105°C
剥线长度: 10mm

※ **尺寸**

间距: 7.62mm(.300")
极数: 2P~12P

※ **材质和电镀**

塑件: PA66, UL94V-0
螺丝: M3, 钢, 镀Cr³⁺钝化彩锌
触点材料: 磷青铜
方盒: 黄铜镀镍



Pitch: 7.62mm; Poles: 2P~12P

APPROVAL

※ **Electrical**
Standard : UL IEC
Rated voltage : 300V 400V
Rated current : 20A 32A
Withstanding voltage : AC2500V/1Min

※ **Mechanical**

Ambient temperature : -40°C ~ +105°C

※ **Dimensions**

Pitch : 7.62mm(.300")
Poles : 2P~12P

※ **Material**

Housing : PA66, UL94V-0
Pin header : Brass, Tin plated

※ **电气性能**

参考标准: UL IEC
额定电压: 300V 400V
额定电流: 20A 32A
耐电压: AC2500V/1Min

※ **机械性能**

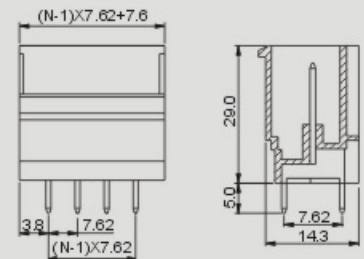
环境温度: -40°C ~ +105°C

※ **尺寸**

间距: 7.62mm(.300")
极数: 2P~12P

※ **材质和电镀**

塑件: PA66, UL94V-0
焊针: 黄铜, 镀锡



Pitch: 7.62mm; Poles: 2P~12P

APPROVAL

※ **Electrical**
Standard : UL IEC
Rated voltage : 300V 400V
Rated current : 20A 32A
Withstanding voltage : AC2500V/1Min

※ **Mechanical**

Ambient temperature : -40°C ~ +105°C

※ **Dimensions**

Pitch : 7.62mm(.300")
Poles : 2P~12P

※ **Material**

Housing : PA66, UL94V-0
Pin header : Brass, Tin plated

※ **电气性能**

参考标准: UL IEC
额定电压: 300V 400V
额定电流: 20A 32A
耐电压: AC2500V/1Min

※ **机械性能**

环境温度: -40°C ~ +105°C

※ **尺寸**

间距: 7.62mm(.300")
极数: 2P~12P

※ **材质和电镀**

塑件: PA66, UL94V-0
焊针: 黄铜, 镀锡



5EDGK-10.16

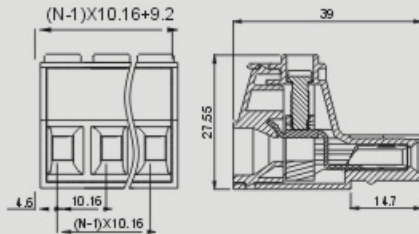


5EDGKM-10.16

DEVE-
LOPING



5EDG-STD-10.16



Pitch: 10.16mm; Poles: 2P~9P

APPROVAL

※ Electrical		
Standard	: UL	IEC
Rated voltage	: 600V	1000V
Rated current	: 30A	41A
Wire range	: 20-7AWG	6mm ²
Withstanding voltage	: AC3500V/1Min	

※ **Mechanical**

Torque	: 1.2Nm(10.5Lb-In.)
Ambient temperature	: -40°C~+105°C
Strip length	: 12mm

※ **Dimensions**

Pitch	: 10.16mm(.400")
Poles	: 2P~9P

※ **Material**

Housing	: PA66,UL94V-0
Screws	: M4, steel, Cr ⁺ Zn plated
Contact	: Copper
Cage	: Brass, Ni plated

※ **电气性能**

参考标准:	UL	IEC
额定电压:	600V	1000V
额定电流:	30A	41A
导线线径:	20-7AWG	6mm ²
耐电压:	AC3500V/1Min	

※ **机械性能**

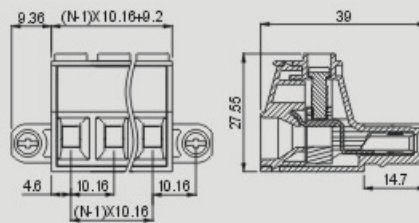
扭力矩:	1.2Nm(10.5Lb-In.)
环境温度:	-40°C~+105°C
剥线长度:	12mm

※ **尺寸**

间距:	10.16mm(.400")
极数:	2P~9P

※ **材质和电镀**

塑件:	PA66,UL94V-0
螺丝:	M4, 铜镀Cr ⁺ 钝化彩锌
触点材料:	紫铜
方盒:	黄铜镀镍



Pitch: 10.16mm; Poles: 2P~9P

APPROVAL

※ Electrical		
Standard	: UL	IEC
Rated voltage	: 600V	1000V
Rated current	: 30A	41A
Wire range	: 20-7AWG	6mm ²
Withstanding voltage	: AC3500V/1Min	

※ **Mechanical**

Torque	: 1.2Nm(10.5Lb-In.)
Ambient temperature	: -40°C~+105°C
Strip length	: 12mm

※ **Dimensions**

Pitch	: 10.16mm(.400")
Poles	: 2P~9P

※ **Material**

Housing	: PA66,UL94V-0
Screws	: M4, steel, Cr ⁺ Zn plated
Contact	: Copper
Cage	: Brass, Ni plated

※ **电气性能**

参考标准:	UL	IEC
额定电压:	600V	1000V
额定电流:	30A	41A
导线线径:	20-7AWG	6mm ²
耐电压:	AC3500V/1Min	

※ **机械性能**

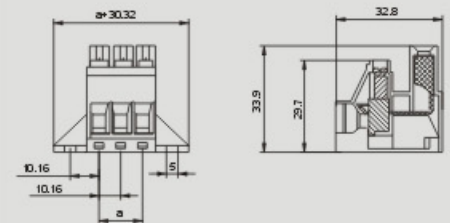
扭力矩:	1.2Nm(10.5Lb-In.)
环境温度:	-40°C~+105°C
剥线长度:	12mm

※ **尺寸**

间距:	10.16mm(.400")
极数:	2P~9P

※ **材质和电镀**

塑件:	PA66,UL94V-0
螺丝:	M4, 铜镀Cr ⁺ 钝化彩锌
触点材料:	紫铜
方盒:	黄铜镀镍



Pitch: 10.16mm; Poles: 2P~9P

APPROVAL

※ Electrical		
Standard	: UL	IEC
Rated voltage	: 600V	1000V
Rated current	: 30A	41A
Wire range	: 20-7AWG	6mm ²
Withstanding voltage	: AC3500V/1Min	

※ **Mechanical**

Torque	: 1.2Nm(10.5Lb-In.)
Ambient temperature	: -40°C~+105°C
Strip length	: 12mm

※ **Dimensions**

Pitch	: 10.16mm(.400")
Poles	: 2P~9P

※ **Material**

Housing	: PA66,UL94V-0
Screws	: M4, steel, Cr ⁺ Zn plated
Contact	: Copper
Cage	: Brass, Ni plated

※ **电气性能**

参考标准:	UL	IEC
额定电压:	600V	1000V
额定电流:	30A	41A
导线线径:	20-7AWG	6mm ²
耐电压:	AC3500V/1Min	

※ **机械性能**

扭力矩:	1.2Nm(10.5Lb-In.)
环境温度:	-40°C~+105°C
剥线长度:	12mm

※ **尺寸**

间距:	10.16mm(.400")
极数:	2P~9P

※ **材质和电镀**

塑件:	PA66,UL94V-0
螺丝:	M4, 铜镀Cr ⁺ 钝化彩锌
触点材料:	紫铜
方盒:	黄铜镀镍

DEVE-
LOPING



5EDGKR-10.16

DEVE-
LOPING

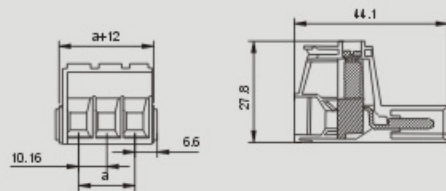


5EDGKRM-10.16

DEVE-
LOPING



5EDGKRP-10.16



Pitch: 10.16mm; Poles: 2P~9P

APPROVAL

※ Electrical		
Standard	: UL	IEC
Rated voltage	: 600V	1000V
Rated current	: 50A	76A
Wire range	: 20-6AWG	16mm ²
Withstanding voltage	: AC3500V/1Min	

※ **Mechanical**

Torque	: 1.2Nm(10.5Lb-In.)
Ambient temperature	: -40°C ~ +105°C
Strip length	: 12mm

※ **Dimensions**

Pitch	: 10.16mm(.400")
Poles	: 2P~9P

※ **Material**

Housing	: PA66, UL94V-0
Screws	: M4, steel, Cr ⁺ Zn plated
Contact	: Copper
Cage	: Brass, Ni plated

※ **电气性能**

参考标准:	UL	IEC
额定电压:	600V	1000V
额定电流:	50A	76A
导线线径:	20-6AWG	16mm ²
耐电压:	AC3500V/1Min	

※ **机械性能**

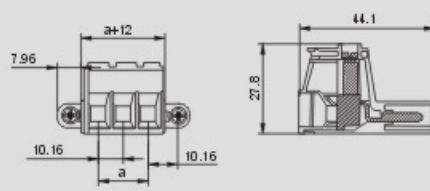
扭力矩:	1.2Nm(10.5Lb-In.)
环境温度:	-40°C ~ +105°C
剥线长度:	12mm

※ **尺寸**

间距:	10.16mm(.400")
极数:	2P~9P

※ **材质和电镀**

塑件:	PA66, UL94V-0
螺丝:	M4, 钢, 镀Cr ⁺ 钝化彩锌
触点材料:	紫铜
方盒:	黄铜镀镍



Pitch: 10.16mm; Poles: 2P~9P

APPROVAL

※ Electrical		
Standard	: UL	IEC
Rated voltage	: 600V	1000V
Rated current	: 50A	76A
Wire range	: 20-6AWG	16mm ²
Withstanding voltage	: AC3500V/1Min	

※ **Mechanical**

Torque	: 1.2Nm(10.5Lb-In.)
Ambient temperature	: -40°C ~ +105°C
Strip length	: 12mm

※ **Dimensions**

Pitch	: 10.16mm(.400")
Poles	: 2P~9P

※ **Material**

Housing	: PA66, UL94V-0
Screws	: M4, steel, Cr ⁺ Zn plated
Contact	: Copper
Cage	: Brass, Ni plated

※ **电气性能**

参考标准:	UL	IEC
额定电压:	600V	1000V
额定电流:	50A	76A
导线线径:	20-6AWG	16mm ²
耐电压:	AC3500V/1Min	

※ **机械性能**

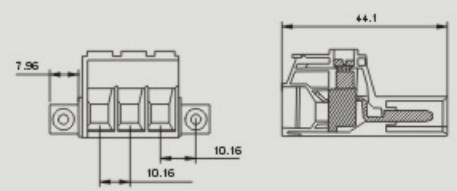
扭力矩:	1.2Nm(10.5Lb-In.)
环境温度:	-40°C ~ +105°C
剥线长度:	12mm

※ **尺寸**

间距:	10.16mm(.400")
极数:	2P~9P

※ **材质和电镀**

塑件:	PA66, UL94V-0
螺丝:	M4, 钢, 镀Cr ⁺ 钝化彩锌
触点材料:	紫铜
方盒:	黄铜镀镍



Pitch: 10.16mm; Poles: 2P~9P

APPROVAL

※ Electrical		
Standard	: UL	IEC
Rated voltage	: 600V	1000V
Rated current	: 50A	76A
Wire range	: 20-6AWG	16mm ²
Withstanding voltage	: AC3500V/1Min	

※ **Mechanical**

Torque	: 1.2Nm(10.5Lb-In.)
Ambient temperature	: -40°C ~ +105°C
Strip length	: 12mm

※ **Dimensions**

Pitch	: 10.16mm(.400")
Poles	: 2P~9P

※ **Material**

Housing	: PA66, UL94V-0
Screws	: M4, steel, Cr ⁺ Zn plated
Contact	: Copper
Cage	: Brass, Ni plated

※ **电气性能**

参考标准:	UL	IEC
额定电压:	600V	1000V
额定电流:	50A	76A
导线线径:	20-6AWG	16mm ²
耐电压:	AC3500V/1Min	

※ **机械性能**

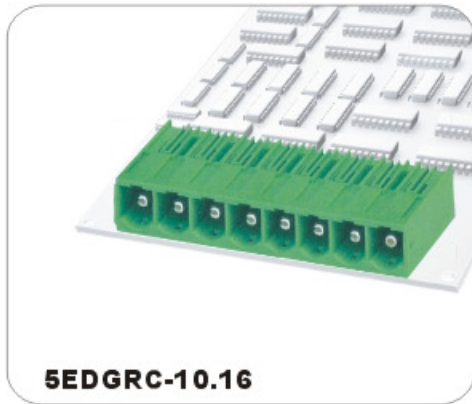
扭力矩:	1.2Nm(10.5Lb-In.)
环境温度:	-40°C ~ +105°C
剥线长度:	12mm

※ **尺寸**

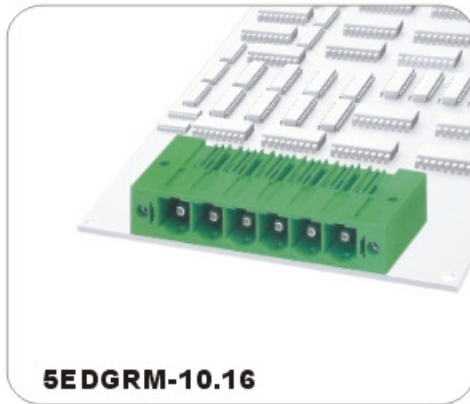
间距:	10.16mm(.400")
极数:	2P~9P

※ **材质和电镀**

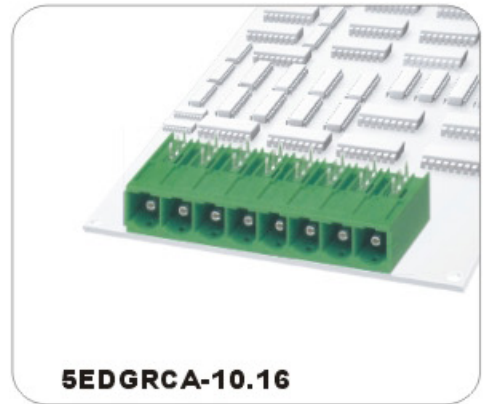
塑件:	PA66, UL94V-0
螺丝:	M4, 钢, 镀Cr ⁺ 钝化彩锌
触点材料:	紫铜
方盒:	黄铜镀镍



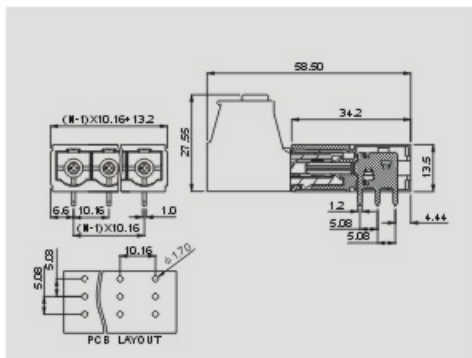
5EDGRC-10.16



5EDGRM-10.16



5EDGRCA-10.16



Pitch: 10.16mm; Poles: 2P~9P

APPROVAL :
 ※ **Electrical**
 Standard : UL IEC
 Rated voltage : 600V 630V
 Rated current : 30A 41A
 Withstanding voltage : AC3000V/1Min

※ **Mechanical**
 Ambient temperature : -40°C ~ +105°C

※ **Dimensions**
 Pitch : 10.16mm (.400")
 Poles : 2P~9P

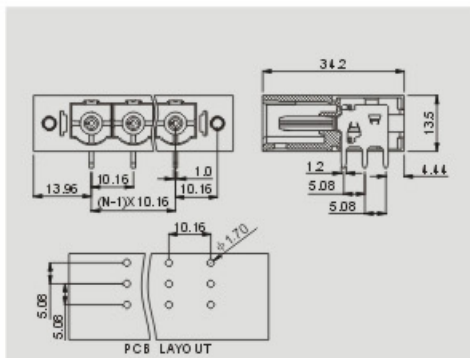
※ **Material**
 Housing : PA66, UL94V-0
 Pin header : Copper, Tin plated

※ 电气性能
 参考标准: UL IEC
 额定电压: 600V 630V
 额定电流: 30A 41A
 耐电压: AC3000V/1Min

※ 机械性能
 环境温度: -40°C ~ +105°C

※ 尺寸
 间距: 10.16mm (.400")
 极数: 2P~9P

※ 材质和电镀
 塑件: PA66, UL94V-0
 焊针: 紫铜, 镀锡



Pitch: 10.16mm; Poles: 2P~9P

APPROVAL :
 ※ **Electrical**
 Standard : UL IEC
 Rated voltage : 600V 630V
 Rated current : 30A 41A
 Withstanding voltage : AC3000V/1Min

※ **Mechanical**
 Ambient temperature : -40°C ~ +105°C

※ **Dimensions**
 Pitch : 10.16mm (.400")
 Poles : 2P~9P

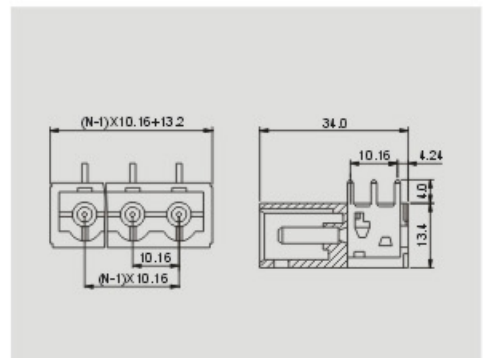
※ **Material**
 Housing : PA66, UL94V-0
 Pin header : Copper, Tin plated
 Nut : Brass

※ 电气性能
 参考标准: UL IEC
 额定电压: 600V 630V
 额定电流: 30A 41A
 耐电压: AC3000V/1Min

※ 机械性能
 环境温度: -40°C ~ +105°C

※ 尺寸
 间距: 10.16mm (.400")
 极数: 2P~9P

※ 材质和电镀
 塑件: PA66, UL94V-0
 焊针: 紫铜, 镀锡
 螺母: 黄铜



Pitch: 10.16mm; Poles: 2P~9P

APPROVAL :
 ※ **Electrical**
 Standard : UL IEC
 Rated voltage : 600V 630V
 Rated current : 30A 41A
 Withstanding voltage : AC3000V/1Min

※ **Mechanical**
 Ambient temperature : -40°C ~ +105°C

※ **Dimensions**
 Pitch : 10.16mm (.400")
 Poles : 2P~9P

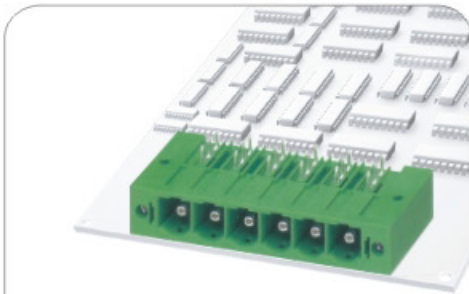
※ **Material**
 Housing : PA66, UL94V-0
 Pin header : Copper, Tin plated

※ 电气性能
 参考标准: UL IEC
 额定电压: 600V 630V
 额定电流: 30A 41A
 耐电压: AC3000V/1Min

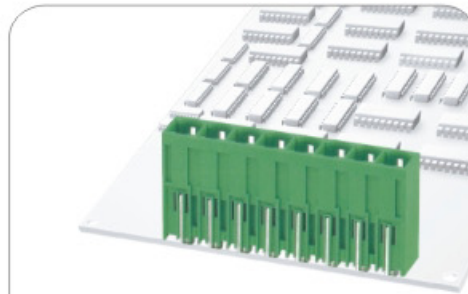
※ 机械性能
 环境温度: -40°C ~ +105°C

※ 尺寸
 间距: 10.16mm (.400")
 极数: 2P~9P

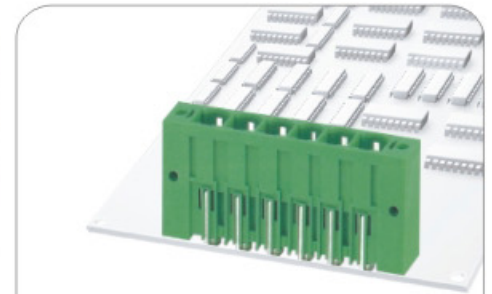
※ 材质和电镀
 塑件: PA66, UL94V-0
 焊针: 紫铜, 镀锡



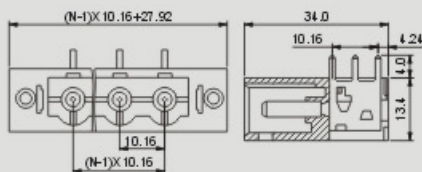
5EDGRMA-10.16



5EDGVC-10.16



5EDGVM-10.16



Pitch: 10.16mm; Poles: 2P~9P

APPROVAL :
 ※**Electrical**
 Standard : UL IEC
 Rated voltage : 600V 630V
 Rated current : 30A 41A
 Withstanding voltage : AC3000V/1Min

※**Mechanical**
 Ambient temperature : -40°C ~ +105°C

※**Dimensions**
 Pitch : 10.16mm(.400")
 Poles : 2P~9P

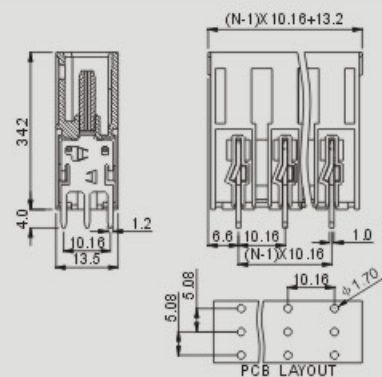
※**Material**
 Housing : PA66,UL94V-0
 Pin header : Copper,Tin plated
 Nut : Brass

※**电气性能**
 参考标准: UL IEC
 额定电压: 600V 630V
 额定电流: 30A 41A
 耐电压: AC3000V/1Min

※**机械性能**
 环境温度: -40°C ~ +105°C

※**尺寸**
 间距: 10.16mm(.400")
 极数: 2P~9P

※**材质和电镀**
 塑件: PA66,UL94V-0
 焊针: 紫铜,镀锡
 螺母: 黄铜



Pitch: 10.16mm; Poles: 2P~9P

APPROVAL :
 ※**Electrical**
 Standard : UL IEC
 Rated voltage : 600V 630V
 Rated current : 30A 41A
 Withstanding voltage : AC3000V/1Min

※**Mechanical**
 Ambient temperature : -40°C ~ +105°C

※**Dimensions**
 Pitch : 10.16mm(.400")
 Poles : 2P~9P

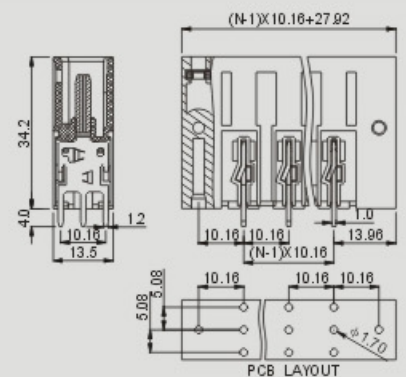
※**Material**
 Housing : PA66,UL94V-0
 Pin header : Copper,T in plated

※**电气性能**
 参考标准: UL IEC
 额定电压: 600V 630V
 额定电流: 30A 41A
 耐电压: AC3000V/1Min

※**机械性能**
 环境温度: -40°C ~ +105°C

※**尺寸**
 间距: 10.16mm(.400")
 极数: 2P~9P

※**材质和电镀**
 塑件: PA66,UL94V-0
 焊针: 紫铜,镀锡



Pitch: 10.16mm; Poles: 2P~9P

APPROVAL :
 ※**Electrical**
 Standard : UL IEC
 Rated voltage : 600V 630V
 Rated current : 30A 41A
 Withstanding voltage : AC3000V/1Min

※**Mechanical**
 Ambient temperature : -40°C ~ +105°C

※**Dimensions**
 Pitch : 10.16mm(.400")
 Poles : 2P~9P

※**Material**
 Housing : PA66,UL94V-0
 Pin header : Copper,Tin plated
 Nut : Brass

※**电气性能**
 参考标准: UL IEC
 额定电压: 600V 630V
 额定电流: 30A 41A
 耐电压: AC3000V/1Min

※**机械性能**
 环境温度: -40°C ~ +105°C

※**尺寸**
 间距: 10.16mm(.400")
 极数: 2P~9P

※**材质和电镀**
 塑件: PA66,UL94V-0
 焊针: 紫铜,镀锡
 螺母: 黄铜




Pitch: 7.62mm; Poles: 3P~5P

APPROVAL :
Ambient temperature: -40°C ~ +105°C

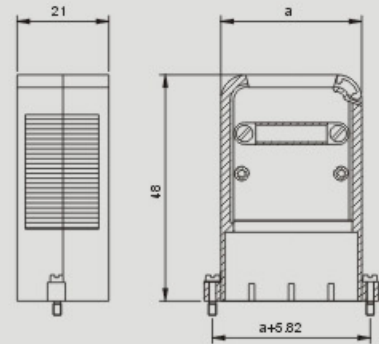
※ **Dimensions**
Pitch : 7.62mm(.300")
Poles : 3P~5P

※ **Material**
Housing : ABS,UL94V-0

环境温度: -40°C ~ +105°C

※ 尺寸
间距: 7.62mm(.300")
极数: 3P~5P

※ 材质和电镀
塑件: ABS,UL94V-0



Pitch: 7.62mm; Poles: 3P~5P

APPROVAL :
Ambient temperature: -40°C ~ +105°C

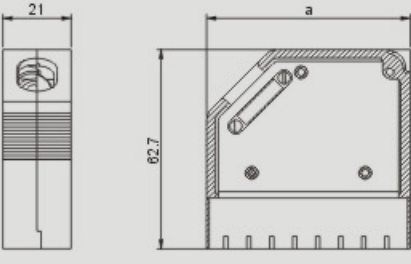
※ **Dimensions**
Pitch : 7.62mm(.300")
Poles : 3P~5P

※ **Material**
Housing : ABS,UL94V-0

环境温度: -40°C ~ +105°C

※ 尺寸
间距: 7.62mm(.300")
极数: 3P~5P

※ 材质和电镀
塑件: ABS,UL94V-0



Pitch: 7.62mm; Poles: 6P~12P

APPROVAL :
Ambient temperature: -40°C ~ +105°C

※ **Dimensions**
Pitch : 7.62mm(.300")
Poles : 6P~12P

※ **Material**
Housing : ABS,UL94V-0

环境温度: -40°C ~ +105°C

※ 尺寸
间距: 7.62mm(.300")
极数: 6P~12P

※ 材质和电镀
塑件: ABS,UL94V-0

DEVE-
LOPING



5EDGMXB-7.62

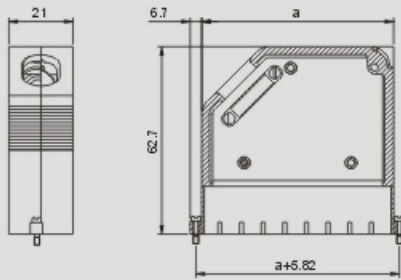
8EDGK-2.5



DEVE-
LOPING



8EDGKG-2.5



Pitch: 7.62mm; Poles: 6P~12P

APPROVAL :
Ambient temperature: -40°C ~ +105°C

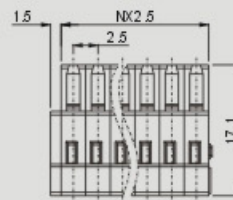
※ **Dimensions**
Pitch : 7.62mm (.300")
Poles : 6P~12P

※ **Material**
Housing : ABS, UL94V-0

环境温度: -40°C~+105°C

※ **尺寸**
间距 : 7.62mm (.300")
极数 : 6P~12P

※ **材质和电镀**
塑件 : ABS, UL94V-0



Pitch: 2.5mm; Poles: 2P~24P

APPROVAL :
※ **Electrical**
Standard : UL IEC
Rated voltage : 150V 130V
Rated current : 4A 6A
Wire range : 28-20AWG 0.5mm²
Withstanding voltage: AC1250V/1Min

※ **Mechanical**
Ambient temperature: -40°C ~ +105°C
Strip length : 5-6mm

※ **Dimensions**
Pitch : 2.5mm (.098")
Poles : 2P~24P

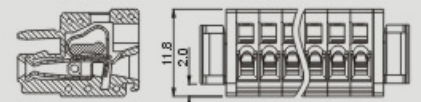
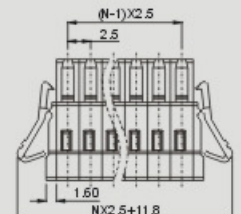
※ **Material**
Housing : PA66, UL94V-0
Contact : Phosphor bronze
Wire guard : Stainless steel

※ **电气性能**
参考标准: UL IEC
额定电压: 150V 130V
额定电流: 4A 6A
导线线径: 28-20AWG 0.5mm²
耐电压: AC1250V/1Min

※ **机械性能**
环境温度: -40°C~+105°C
剥线长度: 5-6mm

※ **尺寸**
间距 : 2.5mm (.098")
极数 : 2P~24P

※ **材质和电镀**
塑件 : PA66, UL94V-0
触点材料: 磷青铜, 镀镍
簧片 : 不锈钢



Pitch: 2.5mm; Poles: 2P~24P

APPROVAL :
※ **Electrical**
Standard : UL IEC
Rated voltage : 150V 130V
Rated current : 4A 6A
Wire range : 28-20AWG 0.5mm²
Withstanding voltage: AC1250V/1Min

※ **Mechanical**
Ambient temperature: -40°C ~ +105°C
Strip length : 5-6mm

※ **Dimensions**
Pitch : 2.5mm (.098")
Poles : 2P~24P

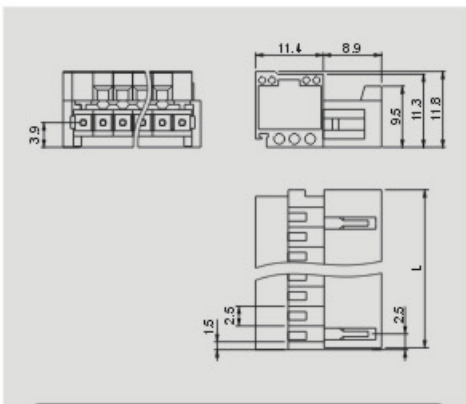
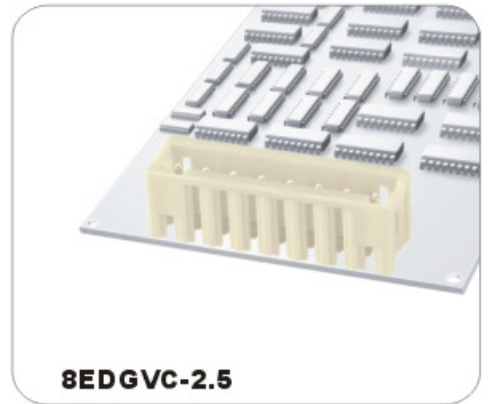
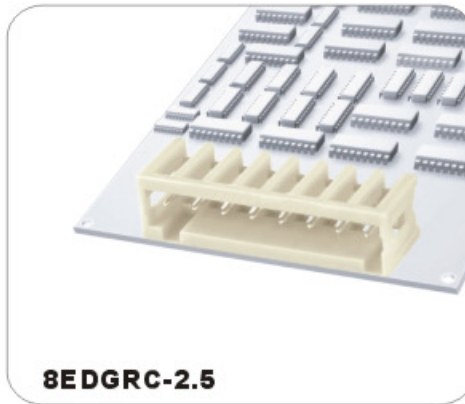
※ **Material**
Housing : PA66, UL94V-0
Contact : Phosphor bronze
Wire guard : Stainless steel

※ **电气性能**
参考标准: UL IEC
额定电压: 150V 130V
额定电流: 4A 6A
导线线径: 28-20AWG 0.5mm²
耐电压: AC1250V/1Min

※ **机械性能**
环境温度: -40°C~+105°C
剥线长度: 5-6mm

※ **尺寸**
间距 : 2.5mm (.098")
极数 : 2P~24P

※ **材质和电镀**
塑件 : PA66, UL94V-0
触点材料: 磷青铜
簧片 : 不锈钢



Pitch: 2.5mm; Poles: 2P~24P

APPROVAL :
 ※ **Electrical**
 Standard : UL IEC
 Rated voltage : 150V 130V
 Rated current : 4A 6A
 Wire range : 28-20AWG 0.5 mm²
 Withstanding voltage : AC1250V/1Min

※ **Mechanical**
 Ambient temperature : -40°C ~ +105°C
 Strip length : 5-6mm

※ **Dimensions**
 Pitch : 2.5mm (.098")
 Poles : 2P~24P

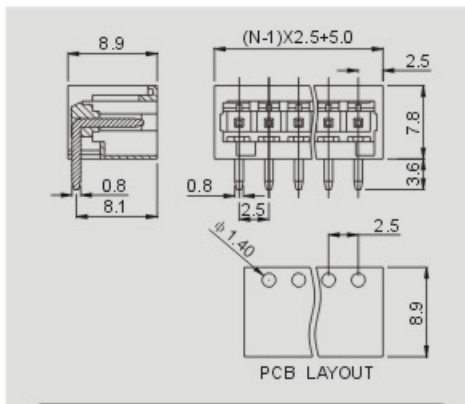
※ **Material**
 Housing : PA66, UL94V-0
 Contact : Copper
 Wire guard : Stainless steel

※ **电气性能**
 参考标准: UL IEC
 额定电压: 150V 130V
 额定电流: 4A 6A
 导线线径: 28-20AWG 0.5mm²
 耐电压: AC1250V/1Min

※ **机械性能**
 环境温度: -40°C ~ +105°C
 剥线长度: 5-6mm

※ **尺寸**
 间距: 2.5mm (.098")
 极数: 2P~24P

※ **材质和电镀**
 塑件: PA66, UL94V-0
 触点材料: 紫铜
 簧片: 不锈钢



Pitch: 2.5mm; Poles: 2P~24P

APPROVAL :
 ※ **Electrical**
 Standard : UL IEC
 Rated voltage : 150V 130V
 Rated current : 4A 6A
 Withstanding voltage : AC1250V/1Min

※ **Mechanical**
 Ambient temperature : -40°C ~ +105°C

※ **Dimensions**
 Pitch : 2.5mm (.098")
 Poles : 2P~24P

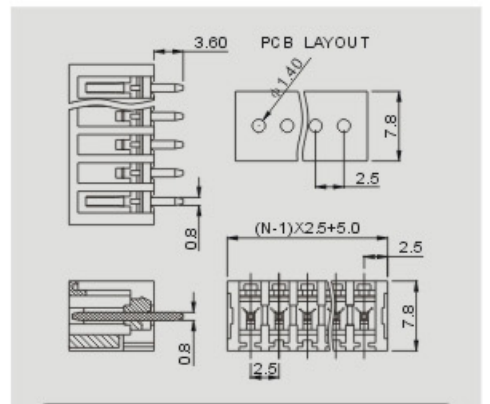
※ **Material**
 Housing : PA66, UL94V-0
 Pin header : Brass, Tin plated

※ **电气性能**
 参考标准: UL IEC
 额定电压: 150V 130V
 额定电流: 4A 6A
 耐电压: AC1250V/1Min

※ **机械性能**
 环境温度: -40°C ~ +105°C

※ **尺寸**
 间距: 2.5mm (.098")
 极数: 2P~24P

※ **材质和电镀**
 塑件: PA66, UL94V-0
 焊针: 黄铜, 镀锡



Pitch: 2.5mm; Poles: 2P~24P

APPROVAL :
 ※ **Electrical**
 Standard : UL IEC
 Rated voltage : 150V 130V
 Rated current : 4A 6A
 Withstanding voltage : AC1250V/1Min

※ **Mechanical**
 Ambient temperature : -40°C ~ +105°C

※ **Dimensions**
 Pitch : 2.5mm (.098")
 Poles : 2P~24P

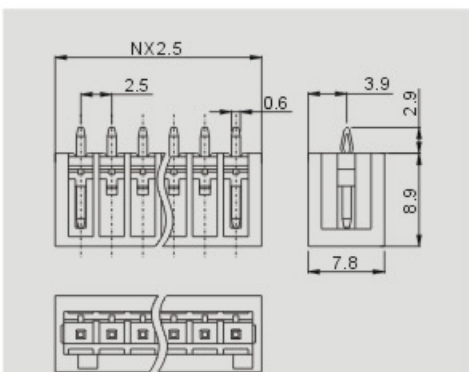
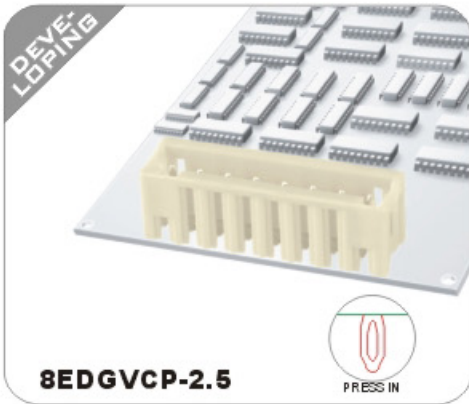
※ **Material**
 Housing : PA66, UL94V-0
 Pin header : Brass, Tin plated

※ **电气性能**
 参考标准: UL IEC
 额定电压: 150V 130V
 额定电流: 4A 6A
 耐电压: AC1250V/1Min

※ **机械性能**
 环境温度: -40°C ~ +105°C

※ **尺寸**
 间距: 2.5mm (.098")
 极数: 2P~24P

※ **材质和电镀**
 塑件: PA66, UL94V-0
 焊针: 黄铜, 镀锡



Pitch: 2.5mm; Poles: 2P~24P

APPROVAL

Standard	UL	IEC
Rated voltage	150V	130V
Rated current	4A	6A
Withstanding voltage	AC1250V/1Min	

Mechanical

Ambient temperature: -40°C ~ +105°C

Dimensions

Pitch: 2.5mm (.098")
Poles: 2P~24P

Material

Housing: PA66, UL94V-0
Pin header: Brass, Tin plated

电气性能

参考标准:	UL	IEC
额定电压:	150V	130V
额定电流:	4A	6A
耐电压:	AC1250V/1Min	

机械性能

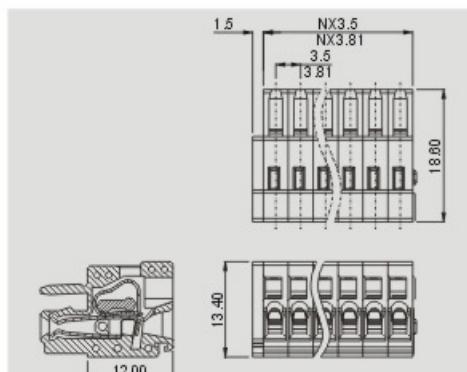
环境温度: -40°C ~ +105°C

尺寸

间距: 2.5mm (.098")
极数: 2P~24P

材质和电镀

塑件: PA66, UL94V-0
焊针: 黄铜, 镀锡



Pitch: 3.5, 3.81mm; Poles: 2P~24P

APPROVAL

Standard	UL	IEC
Rated voltage	300V	250V
Rated current	8A	10A
Wire range	28-14AWG 1.5mm ²	
Withstanding voltage	AC2000V/1Min	

Mechanical

Ambient temperature: -40°C ~ +105°C
Strip length: 7mm

Dimensions

Pitch: 3.5mm (.138") 3.81mm (.150")
Poles: 2P~24P

Material

Housing: PA66, UL94V-0
Contact: Phosphor bronze
Wire guard: Stainless steel

电气性能

参考标准:	UL	IEC
额定电压:	300V	250V
额定电流:	8A	10A
导线线径:	28-14AWG 1.5mm ²	
耐电压:	AC2000V/1Min	

机械性能

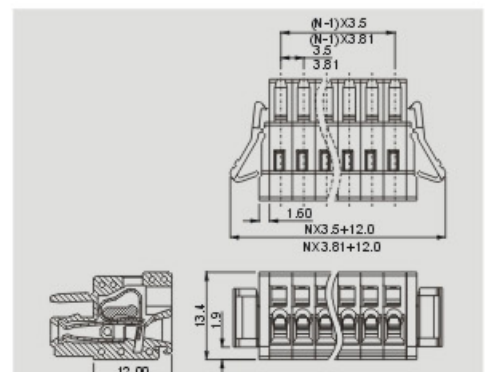
环境温度: -40°C ~ +105°C
剥线长度: 7mm

尺寸

间距: 3.5mm (.138") 3.81mm (.150")
极数: 2P~24P

材质和电镀

塑件: PA66, UL94V-0
触点材料: 磷青铜
簧片: 不锈钢



Pitch: 3.5, 3.81mm; Poles: 2P~24P

APPROVAL

Standard	UL	IEC
Rated voltage	300V	250V
Rated current	8A	10A
Wire range	28-14AWG 1.5mm ²	
Withstanding voltage	AC2000V/1Min	

Mechanical

Ambient temperature: -40°C ~ +105°C
Strip length: 7mm

Dimensions

Pitch: 3.5mm (.138") 3.81mm (.150")
Poles: 2P~24P

Material

Housing: PA66, UL94V-0
Contact: Phosphor bronze
Wire guard: Stainless steel

电气性能

参考标准:	UL	IEC
额定电压:	300V	250V
额定电流:	8A	10A
导线线径:	28-14AWG 1.5mm ²	
耐电压:	AC2000V/1Min	

机械性能

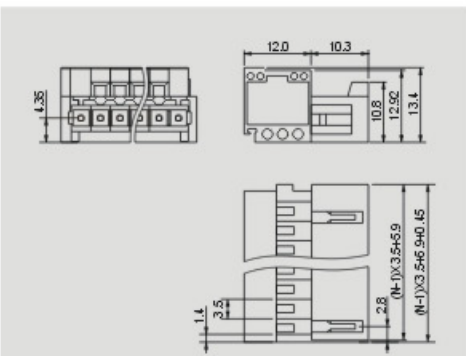
环境温度: -40°C ~ +105°C
剥线长度: 7mm

尺寸

间距: 3.5mm (.138") 3.81mm (.150")
极数: 2P~24P

材质和电镀

塑件: PA66, UL94V-0
触点材料: 磷青铜
簧片: 不锈钢



Pitch: 3.5, 3.81mm; Poles: 2P~24P

APPROVAL

※Electrical	UL	IEC
Standard	300V	250V
Rated voltage	8A	10A
Rated current	28-14AWG	1.5 mm ²
Wire range	Withstanding voltage: AC2000V/1Min	

※Mechanical

Ambient temperature	-40°C ~ +105°C
Strip length	7mm

※Dimensions

Pitch	3.5mm(.138") 3.81mm(.150")
Poles	2P~24P

※Material

Housing	PA66, UL94V-0
Contact	Copper
Wire guard	Stainless steel

※电气性能

参考标准	UL	IEC
额定电压	300V	250V
额定电流	8A	10A
导线线径	28-14AWG	1.5mm ²
耐电压	AC2000V/1Min	

※机械性能

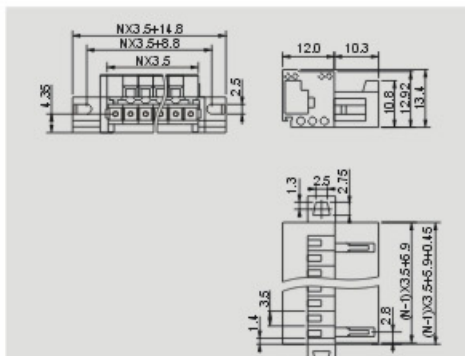
环境温度	-40°C ~ +105°C
剥线长度	7mm

※尺寸

间距	3.5mm(.138") 3.81mm(.150")
极数	2P~24P

※材质和电镀

塑件	PA66, UL94V-0
触点材料	紫铜
簧片	不锈钢



Pitch: 3.5, 3.81mm; Poles: 2P~24P

APPROVAL

※Electrical	UL	IEC
Standard	300V	250V
Rated voltage	8A	10A
Rated current	28-14AWG	1.5 mm ²
Wire range	Withstanding voltage: AC2000V/1Min	

※Mechanical

Ambient temperature	-40°C ~ +105°C
Strip length	7mm

※Dimensions

Pitch	3.5mm(.138") 3.81mm(.150")
Poles	2P~24P

※Material

Housing	PA66, UL94V-0
Contact	Copper
Wire guard	Stainless steel

※电气性能

参考标准	UL	IEC
额定电压	300V	250V
额定电流	8A	10A
导线线径	28-14AWG	1.5mm ²
耐电压	AC2000V/1Min	

※机械性能

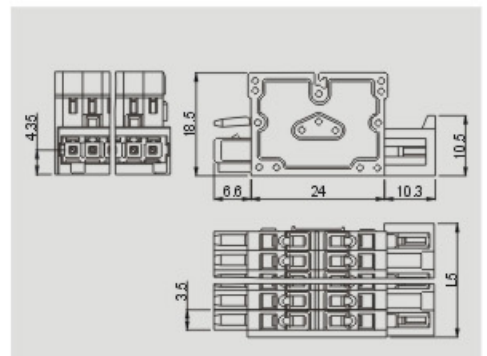
环境温度	-40°C ~ +105°C
剥线长度	7mm

※尺寸

间距	3.5mm(.138") 3.81mm(.150")
极数	2P~24P

※材质和电镀

塑件	PA66, UL94V-0
触点材料	紫铜
簧片	不锈钢



Pitch: 3.5mm; Poles: 2P~24P

APPROVAL

※Electrical	UL	IEC
Standard	300V	250V
Rated voltage	8A	10A
Rated current	28-14AWG	1.5 mm ²
Wire range	Withstanding voltage: AC2000V/1Min	

※Mechanical

Ambient temperature	-40°C ~ +105°C
Strip length	7mm

※Dimensions

Pitch	3.5mm(.138")
Poles	2P~24P

※Material

Housing	PA66, UL94V-0
Contact	Copper
Wire guard	Stainless steel

※电气性能

参考标准	UL	IEC
额定电压	300V	250V
额定电流	8A	10A
导线线径	28-14AWG	1.5mm ²
耐电压	AC2000V/1Min	

※机械性能

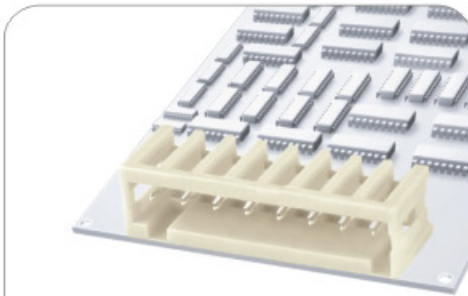
环境温度	-40°C ~ +105°C
剥线长度	7mm

※尺寸

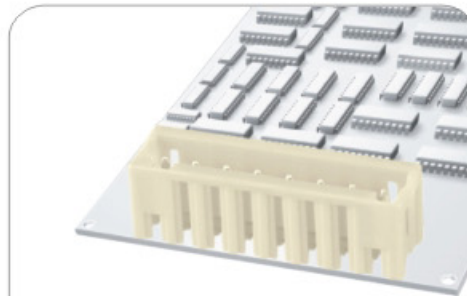
间距	3.5mm(.138")
极数	2P~24P

※材质和电镀

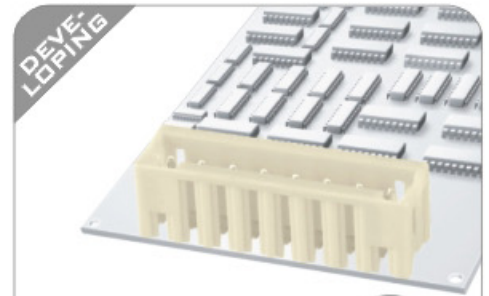
塑件	PA66, UL94V-0
触点材料	紫铜
簧片	不锈钢



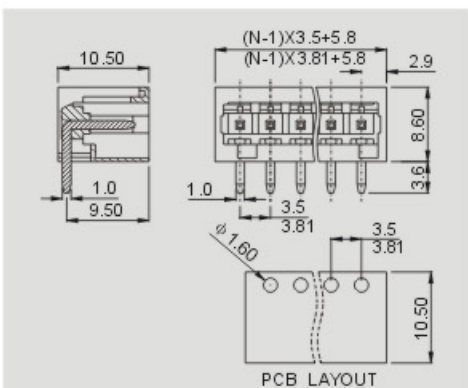
8EDGRC-3.5
8EDGRC-3.81




8EDGVC-3.5
8EDGVC-3.81



8EDGVCP-3.5
8EDGVCP-3.81



Pitch: 3.5,3.81mm; Poles: 2P~24P

APPROVAL : In the course of application 
※Electrical
 Standard : UL IEC
 Rated voltage : 300V 250V
 Rated current : 8A 10A
 Withstanding voltage : AC2000V/1Min

※Mechanical
 Ambient temperature : -40°C ~ +105°C

※Dimensions
 Pitch : 3.5mm (.138") 3.81mm (.150")
 Poles : 2P~24P

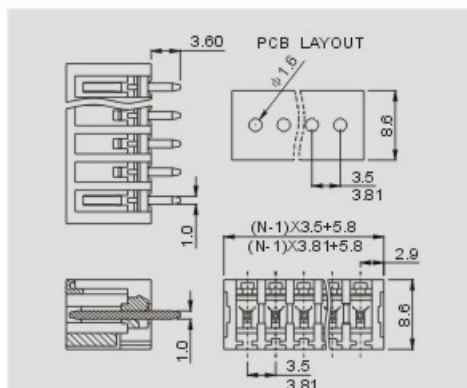
※Material
 Housing : PA66,UL94V-0
 Pin header : Brass,Tin plated

※电气性能
 参考标准: UL IEC
 额定电压: 300V 250V
 额定电流: 8A 10A
 耐电压: AC2000V/1Min

※机械性能
 环境温度: -40°C ~ +105°C

※尺寸
 间距: 3.5mm (.138") 3.81mm (.150")
 极数: 2P~24P

※材质和电镀
 塑件: PA66,UL94V-0
 焊针: 黄铜,镀锡



Pitch: 3.5,3.81mm; Poles: 2P~24P

APPROVAL : In the course of application 
※Electrical
 Standard : UL IEC
 Rated voltage : 300V 250V
 Rated current : 8A 10A
 Withstanding voltage : AC2000V/1Min

※Mechanical
 Ambient temperature : -40°C ~ +105°C

※Dimensions
 Pitch : 3.5mm (.138") 3.81mm (.150")
 Poles : 2P~24P

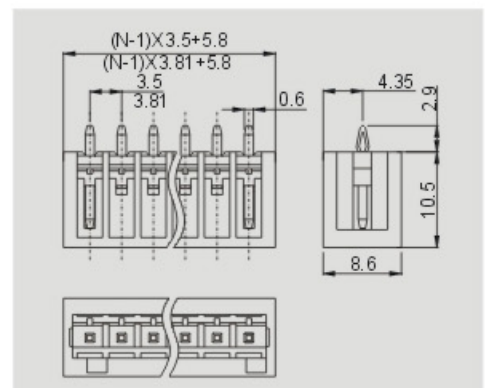
※Material
 Housing : PA66,UL94V-0
 Pin header : Brass,Tin plated

※电气性能
 参考标准: UL IEC
 额定电压: 300V 250V
 额定电流: 8A 10A
 耐电压: AC2000V/1Min

※机械性能
 环境温度: -40°C ~ +105°C

※尺寸
 间距: 3.5mm (.138") 3.81mm (.150")
 极数: 2P~24P

※材质和电镀
 塑件: PA66,UL94V-0
 焊针: 黄铜,镀锡



Pitch: 3.5,3.81mm; Poles: 2P~24P

APPROVAL :
※Electrical
 Standard : UL IEC
 Rated voltage : 300V 250V
 Rated current : 8A 10A
 Withstanding voltage : AC2000V/1Min

※Mechanical
 Ambient temperature : -40°C ~ +105°C

※Dimensions
 Pitch : 3.5mm (.138") 3.81mm (.150")
 Poles : 2P~24P

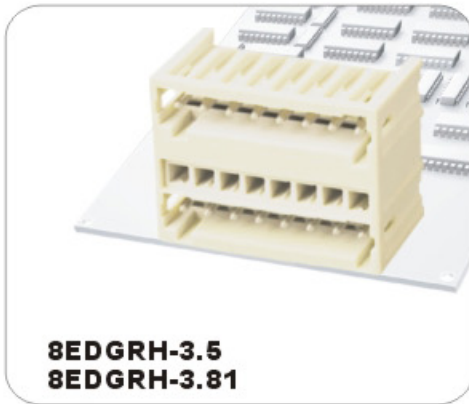
※Material
 Housing : PA66,UL94V-0
 Pin header : Brass,Tin plated

※电气性能
 参考标准: UL IEC
 额定电压: 300V 250V
 额定电流: 8A 10A
 耐电压: AC2000V/1Min

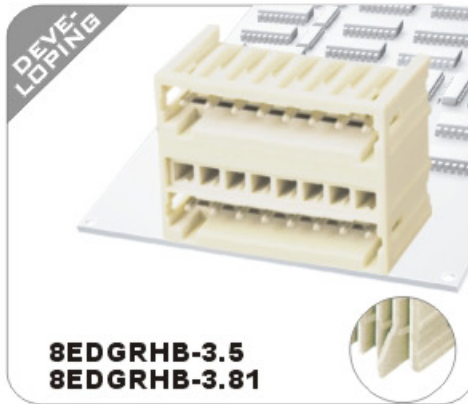
※机械性能
 环境温度: -40°C ~ +105°C

※尺寸
 间距: 3.5mm (.138") 3.81mm (.150")
 极数: 2P~24P

※材质和电镀
 塑件: PA66,UL94V-0
 焊针: 黄铜,镀锡



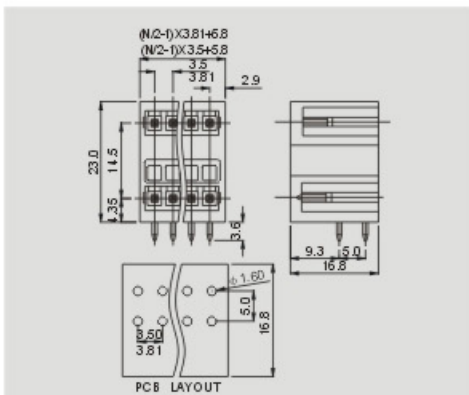
8EDGRH-3.5
8EDGRH-3.81



8EDGRHB-3.5
8EDGRHB-3.81



8EDGRC-THT-3.5



Pitch: 3.5, 3.81 mm; Poles: 2*(2P~24P)

APPROVAL

※ **Electrical**
Standard : UL IEC
Rated voltage : 300V 250V
Rated current : 8A 10A
Withstanding voltage : AC2000V/1Min

※ **Mechanical**

Ambient temperature : -40°C ~ +105°C

※ **Dimensions**

Pitch : 3.5mm(.138") 3.81mm(.150")
Poles : 2*(2P~24P)

※ **Material**

Housing : PA66, UL94V-0
Pin header : Copper, Tin plated

※ **电气性能**

参考标准: UL IEC
额定电压: 300V 250V
额定电流: 8A 10A
耐电压: AC2000V/1Min

※ **机械性能**

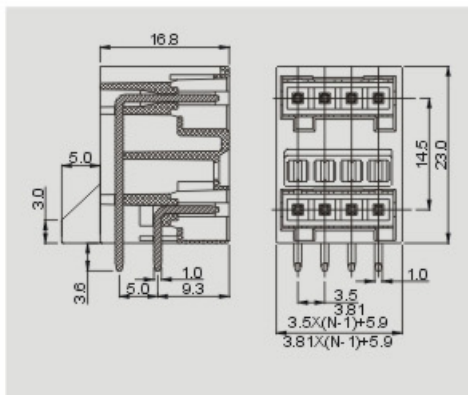
环境温度: -40°C ~ +105°C

※ **尺寸**

间距: 3.5mm(.138") 3.81mm(.150")
极数: 2*(2P~24P)

※ **材质和电镀**

塑件: PA66, UL94V-0
焊针: 紫铜, 镀锡



Pitch: 3.5, 3.81 mm; Poles: 2*(2P~24P)

APPROVAL

※ **Electrical**
Standard : UL IEC
Rated voltage : 300V 250V
Rated current : 8A 10A
Withstanding voltage : AC2000V/1Min

※ **Mechanical**

Ambient temperature : -40°C ~ +105°C

※ **Dimensions**

Pitch : 3.5mm(.138") 3.81mm(.150")
Poles : 2*(2P~24P)

※ **Material**

Housing : PA66, UL94V-0
Pin header : Copper, Tin plated

※ **电气性能**

参考标准: UL IEC
额定电压: 300V 250V
额定电流: 8A 10A
耐电压: AC2000V/1Min

※ **机械性能**

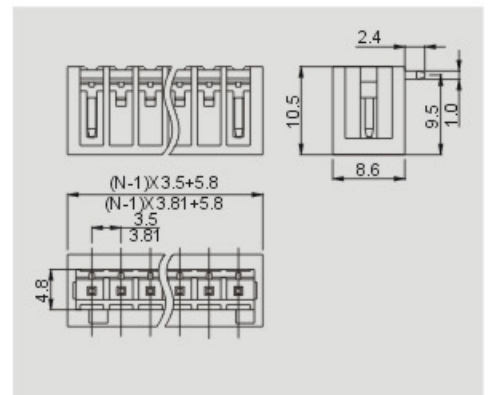
环境温度: -40°C ~ +105°C

※ **尺寸**

间距: 3.5mm(.138") 3.81mm(.150")
极数: 2*(2P~24P)

※ **材质和电镀**

塑件: PA66, UL94V-0
焊针: 紫铜, 镀锡



Pitch: 3.5mm; Poles: 2P~24P

APPROVAL

※ **Electrical**
Standard : UL IEC
Rated voltage : 300V 250V
Rated current : 8A 10A
Withstanding voltage : AC2000V/1Min

※ **Mechanical**

Ambient temperature : -40°C ~ +140°C

※ **Dimensions**

Pitch : 3.5mm(.138") 3.81mm(.150")
Poles : 2P~24P

※ **Material**

Housing : PA46, UL94V-0
Pin header : Brass, Tin plated

※ **电气性能**

参考标准: UL IEC
额定电压: 300V 250V
额定电流: 8A 10A
耐电压: AC2000V/1Min

※ **机械性能**

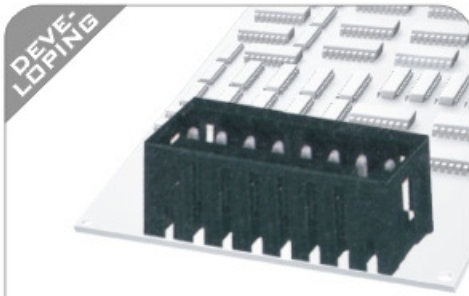
环境温度: -40°C ~ +140°C

※ **尺寸**

间距: 3.5mm(.138")
极数: 2P~24P

※ **材质和电镀**

塑件: PA46, UL94V-0
焊针: 黄铜, 镀锡



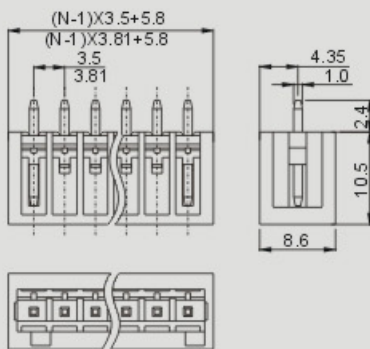
8EDGVC-THT-3.5



**8EDGXA-3.5
8EDGXA-3.81**



**8EDGK-5.0 8EDGK-7.5
8EDGK-5.08 8EDGK-7.62**



Pitch: 3.5mm; Poles: 2P~24P

APPROVAL

※**Electrical**
Standard : UL IEC
Rated voltage : 300V 250V
Rated current : 8A 10A
Withstanding voltage: AC2000V/1Min

※**Mechanical**

Ambient temperature: -40°C ~ +140°C

※**Dimensions**

Pitch : 3.5mm(.138") 3.81mm(.150")
Poles : 2P~24P

※**Material**

Housing : PA46,UL94V-0
Pin header : Brass,Tin plated

※**电气性能**

参考标准: UL IEC
额定电压: 300V 250V
额定电流: 8A 10A
耐电压: AC2000V/1Min

※**机械性能**

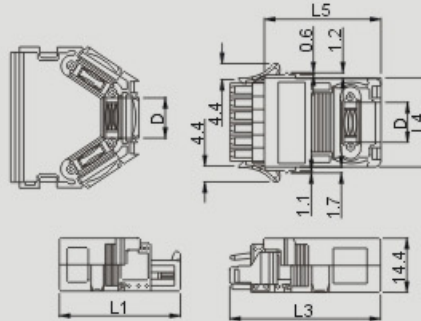
环境温度: -40°C ~ +140°C

※**尺寸**

间距: 3.5mm(.138")
极数: 2P~24P

※**材质和电镀**

塑件: PA46,UL94V-0
焊针: 黄铜,镀锡



Pitch: 3.5,3.81mm; Poles: 3P~5P

APPROVAL

※**Electrical**
Standard : UL IEC
Ambient temperature: -40°C ~ +105°C

※**Dimensions**

Pitch : 3.5mm(.138") 3.81mm(.150")
Poles : 3P~5P

※**Material**

Housing : ABS,UL94V-0

※**电气性能**

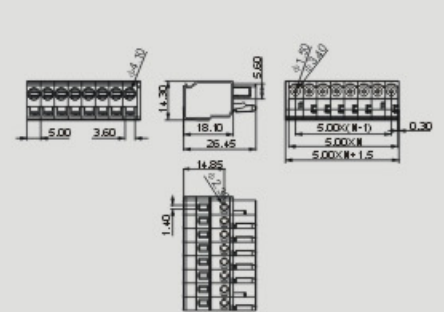
参考标准: UL IEC
环境温度: -40°C ~ +105°C

※**尺寸**

间距: 3.5mm(.138") 3.81mm(.150")
极数: 3P~5P


※**材质和电镀**

塑件: ABS,UL94V-0



**Pitch: 5.0,5.08mm; Poles: 2P~24P
Pitch: 7.5,7.62mm; Poles: 2P~12P**

APPROVAL

※**Electrical** 
Standard : UL IEC
Rated voltage : 300V 320V,400V
Rated current : 15A 20A
Wire range : 22-14AWG 2.5mm²
Withstanding voltage: AC2500V/1Min

※**Mechanical**

Ambient temperature: -40°C ~ +105°C
Strip length : 8-9mm

※**Dimensions**

Pitch : 5.0mm(.197") 7.5mm(.295")
5.08mm(.200") 7.62mm(.300")
Poles : 2P~24P 2P~12P

※**Material**

Housing : PA66,UL94V-0
Contact : Phosphor bronze
Wire guard : Stainless steel

※**电气性能**

参考标准: UL IEC
额定电压: 300V 320V,400V
额定电流: 15A 20A
导线线径: 22-14AWG 2.5mm²
耐电压: AC2500V/1Min

※**机械性能**

环境温度: -40°C ~ +105°C
剥线长度: 8-9mm

※**尺寸**

间距: 5.0mm(.197") 7.5mm(.295")
5.08mm(.200") 7.62mm(.300")
极数: 2P~24P 2P~12P

※**材质和电镀**

塑件: PA66,UL94V-0
触点材料: 磷青铜
簧片: 不锈钢

DEVE-LOPING

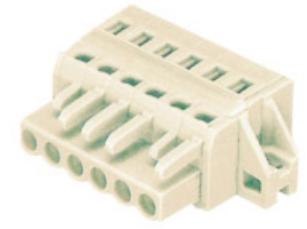


8EDGKC-5.0 8EDGKC-7.5
8EDGKC-5.08 8EDGKC-7.62

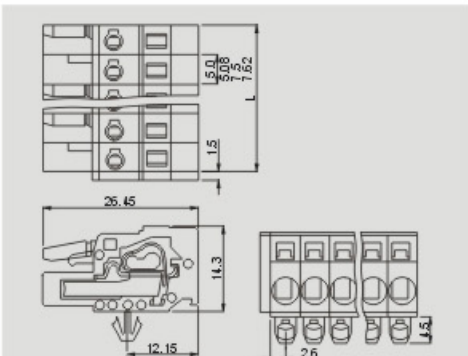


8EDGKMA-5.0 8EDGKMA-7.5
8EDGKMA-5.08 8EDGKMA-7.62


DEVE-LOPING



8EDGKMC-5.0 8EDGKMC-7.5
8EDGKMC-5.08 8EDGKMC-7.62



Pitch: 5.0,5.08mm; Poles: 2P~24P
Pitch: 7.5,7.62mm; Poles: 2P~12P

APPROVAL : 

※Electrical
Standard : UL IEC
Rated voltage : 300V 320V,400V
Rated current : 15A 20A
Wire range : 22-14AWG 2.5mm²
Withstanding voltage : AC2500V/1Min

※Mechanical
Ambient temperature : -40°C~+105°C
Strip length : 8-9mm

※Dimensions
Pitch : 5.0mm(.197") 7.5mm(.295")
5.08mm(.200") 7.62mm(.300")
Poles : 2P~24P 2P~12P

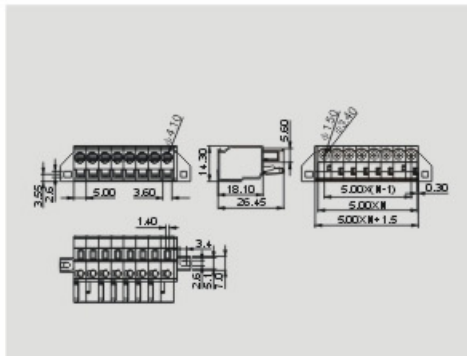
※Material
Housing : PA66,UL94V-0
Contact : Phosphor bronze
Wire guard : Stainless steel

※电气性能
参考标准: UL IEC
额定电压: 300V 320V,400V
额定电流: 15A 20A
导线线径: 22-14AWG 2.5mm²
耐电压: AC2500V/1Min


※机械性能
环境温度: -40°C~+105°C
剥线长度: 8-9mm

※尺寸
间距: 5.0mm(.197") 7.5mm(.295")
5.08mm(.200") 7.62mm(.300")
极数: 2P~24P 2P~12P

※材质和电镀
塑件: PA66,UL94V-0
触点材料: 磷青铜
簧片: 不锈钢



Pitch: 5.0,5.08mm; Poles: 2P~24P
Pitch: 7.5,7.62mm; Poles: 2P~12P

APPROVAL : 

※Electrical
Standard : UL IEC
Rated voltage : 300V 320V,400V
Rated current : 15A 20A
Wire range : 22-14AWG 2.5mm²
Withstanding voltage : AC2500V/1Min

※Mechanical
Ambient temperature : -40°C~+105°C
Strip length : 8-9mm

※Dimensions
Pitch : 5.0mm(.197") 7.5mm(.295")
5.08mm(.200") 7.62mm(.300")
Poles : 2P~24P 2P~12P

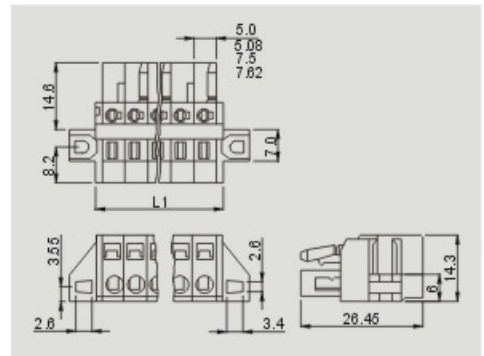
※Material
Housing : PA66,UL94V-0
Contact : Phosphor bronze
Wire guard : Stainless steel

※电气性能
参考标准: UL IEC
额定电压: 300V 320V,400V
额定电流: 15A 20A
导线线径: 22-14AWG 2.5mm²
耐电压: AC2500V/1Min


※机械性能
环境温度: -40°C~+105°C
剥线长度: 8-9mm

※尺寸
间距: 5.0mm(.197") 7.5mm(.295")
5.08mm(.200") 7.62mm(.300")
极数: 2P~24P 2P~12P

※材质和电镀
塑件: PA66,UL94V-0
触点材料: 磷青铜
簧片: 不锈钢



Pitch: 5.0,5.08mm; Poles: 2P~24P
Pitch: 7.5,7.62mm; Poles: 2P~12P

APPROVAL : 

※Electrical
Standard : UL IEC
Rated voltage : 300V 320V,400V
Rated current : 15A 20A
Wire range : 22-14AWG 2.5mm²
Withstanding voltage : AC2500V/1Min

※Mechanical
Ambient temperature : -40°C~+105°C
Strip length : 8-9mm

※Dimensions
Pitch : 5.0mm(.197") 7.5mm(.295")
5.08mm(.200") 7.62mm(.300")
Poles : 2P~24P 2P~12P

※Material
Housing : PA66,UL94V-0
Contact : Phosphor bronze
Wire guard : Stainless steel

※电气性能
参考标准: UL IEC
额定电压: 300V 320V,400V
额定电流: 15A 20A
导线线径: 22-14AWG 2.5mm²
耐电压: AC2500V/1Min

※机械性能
环境温度: -40°C~+105°C
剥线长度: 8-9mm

※尺寸
间距: 5.0mm(.197") 7.5mm(.295")
5.08mm(.200") 7.62mm(.300")
极数: 2P~24P 2P~12P

※材质和电镀
塑件: PA66,UL94V-0
触点材料: 磷青铜
簧片: 不锈钢

DEVE-
LOPING



8EDGKG-5.0 8EDGKG-7.5
8EDGKG-5.08 8EDGKG-7.62

DEVE-
LOPING

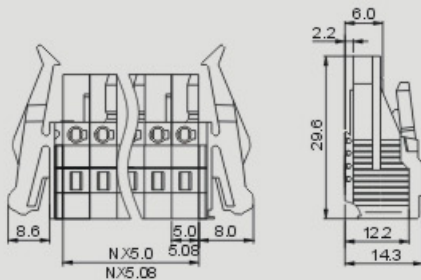


8EDGKM-5.08

DEVE-
LOPING



8EDGKE-5.0 8EDGKE-7.5
8EDGKE-5.08 8EDGKE-7.62



Pitch: 5.0, 5.08 mm; Poles: 2P~24P
Pitch: 7.5, 7.62 mm; Poles: 2P~12P

APPROVAL

※ **Electrical**
Standard : UL IEC
Rated voltage : 300V 320V, 400V
Rated current : 15A 20A
Wire range : 22-14AWG 2.5mm²
Withstanding voltage : AC2500V/1Min

※ Mechanical

Ambient temperature : -40°C ~ +105°C
Strip length : 8-9 mm

※ Dimensions

Pitch : 5.0mm (.197") 7.5mm (.295")
5.08mm (.200") 7.62mm (.300")
Poles : 2P~24P 2P~12P

※ Material

Housing : PA66, UL94V-0
Contact : Phosphor bronze
Wire guard : Stainless steel

※ 电气性能

参考标准: UL IEC
额定电压: 300V 320V, 400V
额定电流: 15A 20A
导线线径: 22-14AWG 2.5mm²
耐电压: AC2500V/1Min

※ 机械性能

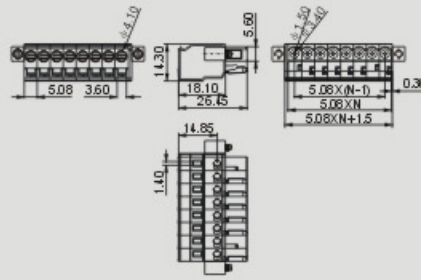
环境温度: -40°C ~ +105°C
剥线长度: 8-9mm

※ 尺寸

间距: 5.0mm (.197") 7.5mm (.295")
5.08mm (.200") 7.62mm (.300")
极数: 2P~24P 2P~12P

※ 材质和电镀

塑件: PA66, UL94V-0
触点材料: 磷青铜
簧片: 不锈钢



Pitch: 5.08mm; Poles: 2P~22P

APPROVAL

※ **Electrical**
Standard : UL IEC
Rated voltage : 300V 320V
Rated current : 15A 20A
Wire range : 22-14AWG 2.5mm²
Withstanding voltage : AC2500V/1Min

※ Mechanical

Ambient temperature : -40°C ~ +105°C
Strip length : 8-9 mm

※ Dimensions

Pitch : 5.08mm (.200")
Poles : 2P~22P

※ Material

Housing : PA66, UL94V-0
Contact : Phosphor bronze
Wire guard : Stainless steel
Screws : M2, steel, Cr⁺Zn plated

※ 电气性能

参考标准: UL IEC
额定电压: 300V 320V
额定电流: 15A 20A
导线线径: 22-14AWG 2.5mm²
耐电压: AC2500V/1Min

※ 机械性能

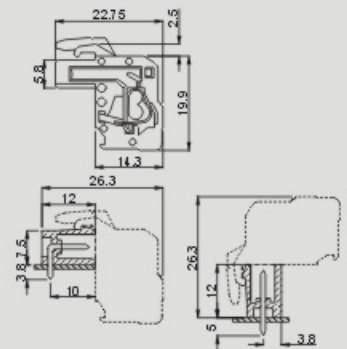
环境温度: -40°C ~ +105°C
剥线长度: 8-9mm

※ 尺寸

间距: 5.08mm (.200")
极数: 2P~22P

※ 材质和电镀

塑件: PA66, UL94V-0
触点材料: 磷青铜
簧片: 不锈钢
螺丝: M2, 钢, 镀Cr⁺钝化彩锌



Pitch: 5.0, 5.08 mm; Poles: 2P~24P
Pitch: 7.5, 7.62 mm; Poles: 2P~12P

APPROVAL

※ **Electrical**
Standard : UL IEC
Rated voltage : 300V 320V, 400V
Rated current : 15A 20A
Wire range : 22-14AWG 2.5mm²
Withstanding voltage : AC2500V/1Min

※ Mechanical

Ambient temperature : -40°C ~ +105°C
Strip length : 8-9 mm

※ Dimensions

Pitch : 5.0mm (.197") 7.5mm (.295")
5.08mm (.200") 7.62mm (.300")
Poles : 2P~24P 2P~12P

※ Material

Housing : PA66, UL94V-0
Contact : Phosphor bronze
Wire guard : Stainless steel

※ 电气性能

参考标准: UL IEC
额定电压: 300V 320V, 400V
额定电流: 15A 20A
导线线径: 22-14AWG 2.5mm²
耐电压: AC2500V/1Min

※ 机械性能

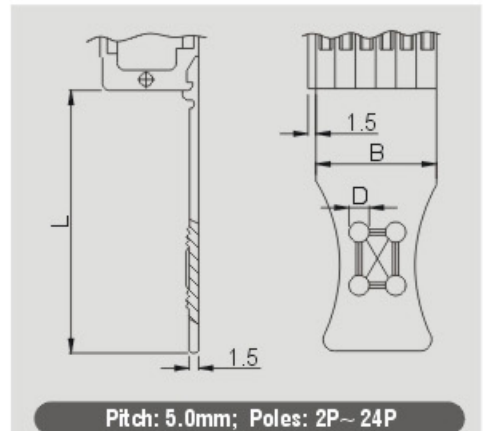
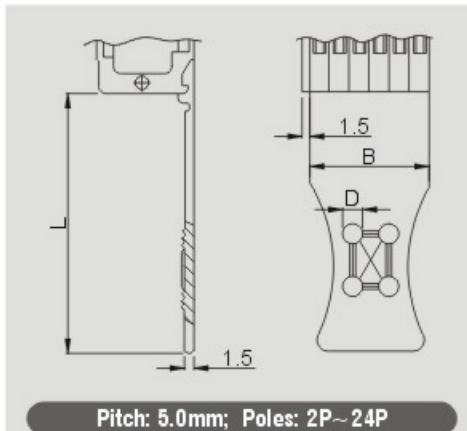
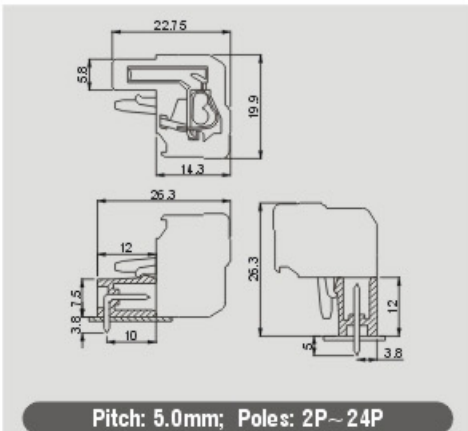
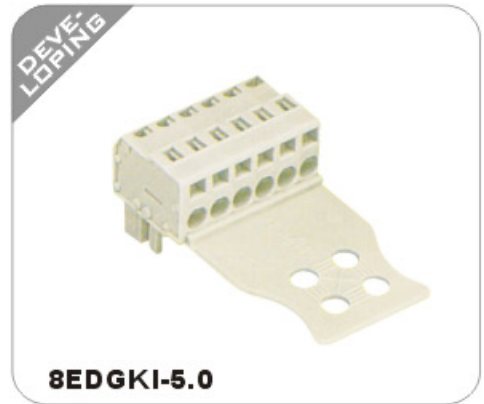
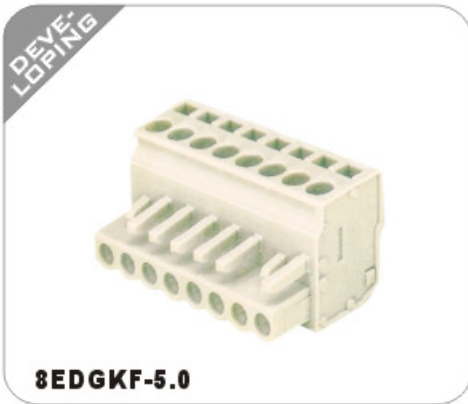
环境温度: -40°C ~ +105°C
剥线长度: 8-9mm

※ 尺寸

间距: 5.0mm (.197") 7.5mm (.295")
5.08mm (.200") 7.62mm (.300")
极数: 2P~24P 2P~12P

※ 材质和电镀

塑件: PA66, UL94V-0
触点材料: 磷青铜
簧片: 不锈钢



APPROVAL :
 ※**Electrical**
 Standard : UL IEC
 Rated voltage : 300V 320V
 Rated current : 15A 20A
 Wire range : 22-14AWG 2.5mm²
 Withstanding voltage : AC2500V/1Min

※**Mechanical**
 Ambient temperature : -40°C~ +105°C
 Strip length : 8-9 mm

※**Dimensions**
 Pitch : 5.0mm (.197")
 Poles : 2P~24P

※**Material**
 Housing : PA66,UL94V-0
 Contact : Phosphor bronze
 Wire guard : Stainless steel

※**电气性能**
 参考标准: UL IEC
 额定电压: 300V 320V
 额定电流: 15A 20A
 导线线径: 22-14AWG 2.5mm²
 耐电压: AC2500V/1Min

※**机械性能**
 环境温度: -40°C~ +105°C
 剥线长度: 8-9mm

※**尺寸**
 间距: 5.0mm(.197")
 极数: 2P~24P

※**材质和电镀**
 塑件: PA66,UL94V-0
 触点材料: 磷青铜
 簧片: 不锈钢

APPROVAL :
 ※**Electrical**
 Standard : UL IEC
 Rated voltage : 300V 320V
 Rated current : 15A 20A
 Wire range : 22-14AWG 2.5mm²
 Withstanding voltage : AC2500V/1Min

※**Mechanical**
 Ambient temperature : -40°C~ +105°C
 Strip length : 8-9 mm

※**Dimensions**
 Pitch : 5.0mm (.197")
 Poles : 2P~24P

※**Material**
 Housing : PA66,UL94V-0
 Contact : Phosphor bronze
 Wire guard : Stainless steel

※**电气性能**
 参考标准: UL IEC
 额定电压: 300V 320V
 额定电流: 15A 20A
 导线线径: 22-14AWG 2.5mm²
 耐电压: AC2500V/1Min

※**机械性能**
 环境温度: -40°C~ +105°C
 剥线长度: 8-9mm

※**尺寸**
 间距: 5.0mm(.197")
 极数: 2P~24P

※**材质和电镀**
 塑件: PA66,UL94V-0
 触点材料: 磷青铜
 簧片: 不锈钢

APPROVAL :
 ※**Electrical**
 Standard : UL IEC
 Rated voltage : 300V 320V
 Rated current : 15A 20A
 Wire range : 22-14AWG 2.5mm²
 Withstanding voltage : AC2500V/1Min

※**Mechanical**
 Ambient temperature : -40°C~ +105°C
 Strip length : 8-9 mm

※**Dimensions**
 Pitch : 5.0mm (.197")
 Poles : 2P~24P

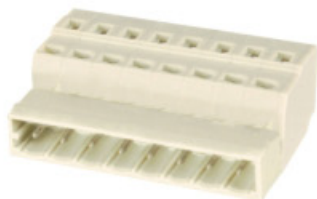
※**Material**
 Housing : PA66,UL94V-0
 Contact : Phosphor bronze
 Wire guard : Stainless steel

※**电气性能**
 参考标准: UL IEC
 额定电压: 300V 320V
 额定电流: 15A 20A
 导线线径: 22-14AWG 2.5mm²
 耐电压: AC2500V/1Min

※**机械性能**
 环境温度: -40°C~ +105°C
 剥线长度: 8-9mm

※**尺寸**
 间距: 5.0mm(.197")
 极数: 2P~24P

※**材质和电镀**
 塑件: PA66,UL94V-0
 触点材料: 磷青铜
 簧片: 不锈钢

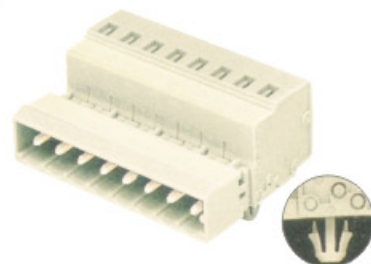


8EDGKR-5.0 8EDGKR-7.5
8EDGKR-5.08 8EDGKR-7.62

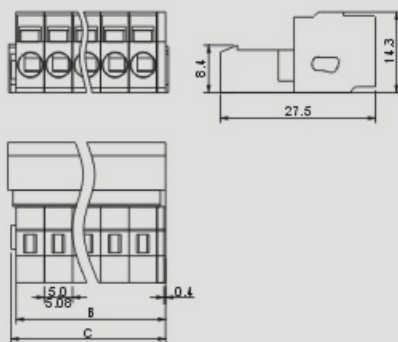


8EDGKRMA-5.0 8EDGKRMA-7.5
8EDGKRMA-5.08 8EDGKRMA-7.62

DEVE-
LOPPING



8EDGKRC-5.0 8EDGKRC-7.5
8EDGKRC-5.08 8EDGKRC-7.62



Pitch: 5.0,5.08 mm; Poles: 2P~24P
Pitch: 7.5,7.62 mm; Poles: 2P~12P

APPROVAL : in the course of UL application **CE**
※Electrical
 Standard : UL IEC
 Rated voltage : 300V 320V,400V
 Rated current : 15A 20A
 Wire range : 22-14AWG 2.5mm²
 Withstanding voltage : AC2500V/1Min

※Mechanical
 Ambient temperature : -40°C~+105°C
 Strip length : 8-9 mm

※Dimensions
 Pitch : 5.0mm(.197") 7.5mm(.295")
 5.08mm(.200") 7.62mm(.300")
 Poles : 2P~24P 2P~12P

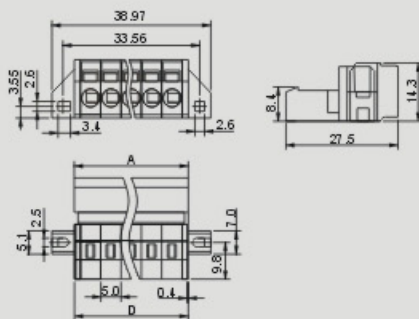
※Material
 Housing : PA66,UL94V-0
 Contact : Copper
 Wire guard : Stainless steel

※电气性能
 参考标准: UL IEC
 额定电压: 300V 320V,400V
 额定电流: 15A 20A
 导线线径: 22-14AWG 2.5mm²
 耐电压: AC2500V/1Min

※机械性能
 环境温度: -40°C~+105°C
 剥线长度: 8-9mm

※尺寸
 间距: 5.0mm(.197") 7.5mm(.295")
 5.08mm(.200") 7.62mm(.300")
 极数: 2P~24P 2P~12P

※材质和电镀
 塑件: PA66,UL94V-0
 触点材料: 紫铜
 簧片: 不锈钢



Pitch: 5.0,5.08 mm; Poles: 2P~24P
Pitch: 7.5,7.62 mm; Poles: 2P~12P

APPROVAL : **CE**
※Electrical
 Standard : UL IEC
 Rated voltage : 300V 320V,400V
 Rated current : 15A 20A
 Wire range : 22-14AWG 2.5mm²
 Withstanding voltage : AC2500V/1Min

※Mechanical
 Ambient temperature : -40°C~+105°C
 Strip length : 8-9 mm

※Dimensions
 Pitch : 5.0mm(.197") 7.5mm(.295")
 5.08mm(.200") 7.62mm(.300")
 Poles : 2P~24P 2P~12P

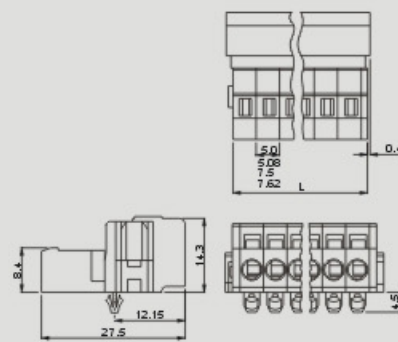
※Material
 Housing : PA66,UL94V-0
 Contact : Copper
 Wire guard : Stainless steel

※电气性能
 参考标准: UL IEC
 额定电压: 300V 320V,400V
 额定电流: 15A 20A
 导线线径: 22-14AWG 2.5mm²
 耐电压: AC2500V/1Min

※机械性能
 环境温度: -40°C~+105°C
 剥线长度: 8-9mm

※尺寸
 间距: 5.0mm(.197") 7.5mm(.295")
 5.08mm(.200") 7.62mm(.300")
 极数: 2P~24P 2P~12P

※材质和电镀
 塑件: PA66,UL94V-0
 触点材料: 紫铜
 簧片: 不锈钢



Pitch: 5.0,5.08 mm; Poles: 2P~24P
Pitch: 7.5,7.62 mm; Poles: 2P~12P

APPROVAL :
※Electrical
 Standard : UL IEC
 Rated voltage : 300V 320V,400V
 Rated current : 15A 20A
 Wire range : 22-14AWG 2.5mm²
 Withstanding voltage : AC2500V/1Min

※Mechanical
 Ambient temperature : -40°C~+105°C
 Strip length : 8-9 mm

※Dimensions
 Pitch : 5.0mm(.197") 7.5mm(.295")
 5.08mm(.200") 7.62mm(.300")
 Poles : 2P~24P 2P~12P

※Material
 Housing : PA66,UL94V-0
 Contact : Copper
 Wire guard : Stainless steel

※电气性能
 参考标准: UL IEC
 额定电压: 300V 320V,400V
 额定电流: 15A 20A
 导线线径: 22-14AWG 2.5mm²
 耐电压: AC2500V/1Min

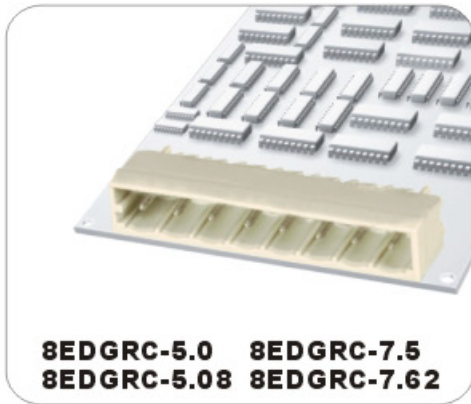
※机械性能
 环境温度: -40°C~+105°C
 剥线长度: 8-9mm

※尺寸
 间距: 5.0mm(.197") 7.5mm(.295")
 5.08mm(.200") 7.62mm(.300")
 极数: 2P~24P 2P~12P

※材质和电镀
 塑件: PA66,UL94V-0
 触点材料: 紫铜
 簧片: 不锈钢



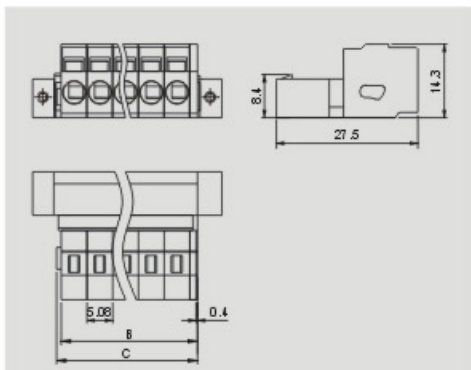
8EDGKRP-5.08




8EDGRC-5.0 8EDGRC-7.5
8EDGRC-5.08 8EDGRC-7.62



8EDGRMA-5.0 8EDGRMA-7.5
8EDGRMA-5.08 8EDGRMA-7.62



Pitch: 5.08mm; Poles: 2P~22P

APPROVAL : 
※Electrical
 Standard : UL IEC
 Rated voltage : 300V 320V
 Rated current : 15A 20A
 Wire range : 22-14AWG 2.5mm²
 Withstanding voltage : AC2500V/1Min

※Mechanical
 Ambient temperature : -40°C ~ +105°C
 Strip length : 8-9mm

※Dimensions
 Pitch : 5.08mm(.200")
 Poles : 2P~22P

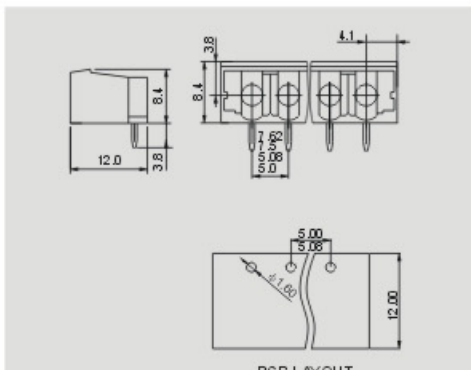
※Material
 Housing : PA66,UL94V-0
 Contact : Copper
 Wire guard : Stainless steel

※电气性能
 参考标准: UL IEC
 额定电压: 300V 320V
 额定电流: 15A 20A
 导线线径: 22-14AWG 2.5mm²
 耐电压: AC2500V/1Min



※机械性能
 环境温度: -40°C ~ +105°C
 剥线长度: 8-9mm

※尺寸
 间距: 5.08mm(.200")
 极数: 2P~22P

※材质和电镀
 塑件: PA66,UL94V-0
 触点材料: 紫铜
 簧片: 不锈钢



Pitch: 5.0,5.08mm; Poles: 2P~24P
Pitch: 7.5,7.62mm; Poles: 2P~12P

APPROVAL :  
※Electrical
 Standard : UL IEC
 Rated voltage : 300V 320V,400V
 Rated current : 15A 20A
 Withstanding voltage : AC2500V/1Min

※Mechanical
 Ambient temperature : -40°C ~ +105°C

※Dimensions
 Pitch : 5.0mm(.197") 7.5mm(.295")
 5.08mm(.200") 7.62mm(.300")
 Poles : 2P~24P 2P~12P

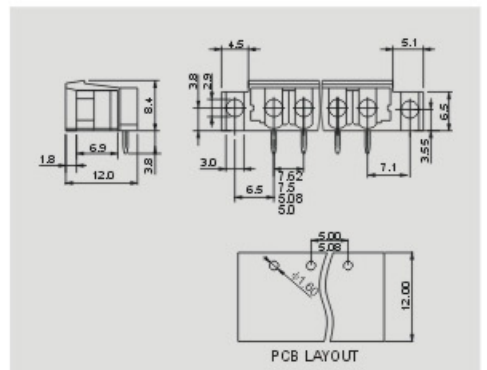
※Material
 Housing : PA66,UL94V-0
 Pin header : Brass,Tin plated

※电气性能
 参考标准: UL IEC
 额定电压: 300V 320V,400V
 额定电流: 15A 20A
 耐电压: AC2500V/1Min

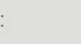
※机械性能
 环境温度: -40°C ~ +105°C

※尺寸
 间距: 5.0mm(.197") 7.5mm(.295")
 5.08mm(.200") 7.62mm(.300")
 极数: 2P~24P 2P~12P

※材质和电镀
 塑件: PA66,UL94V-0
 焊针: 黄铜,镀锡



Pitch: 5.0,5.08mm; Poles: 2P~24P
Pitch: 7.5,7.62mm; Poles: 2P~12P

APPROVAL :  
※Electrical
 Standard : UL IEC
 Rated voltage : 300V 320V,400V
 Rated current : 15A 20A
 Withstanding voltage : AC2500V/1Min

※Mechanical
 Ambient temperature : -40°C ~ +105°C

※Dimensions
 Pitch : 5.0mm(.197") 7.5mm(.295")
 5.08mm(.200") 7.62mm(.300")
 Poles : 2P~24P 2P~12P

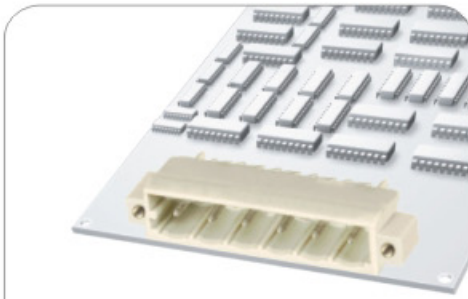
※Material
 Housing : PA66,UL94V-0
 Pin header : Brass,Tin plated

※电气性能
 参考标准: UL IEC
 额定电压: 300V 320V,400V
 额定电流: 15A 20A
 耐电压: AC2500V/1Min

※机械性能
 环境温度: -40°C ~ +105°C

※尺寸
 间距: 5.0mm(.197") 7.5mm(.295")
 5.08mm(.200") 7.62mm(.300")
 极数: 2P~24P 2P~12P

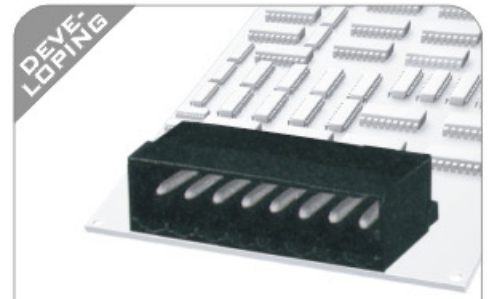
※材质和电镀
 塑件: PA66,UL94V-0
 焊针: 黄铜,镀锡



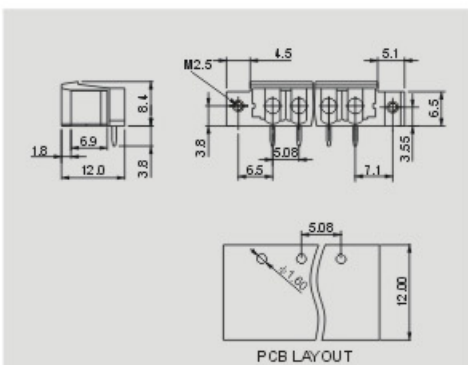
8EDGRM-5.08




**8EDGRCH-5.0
8EDGRCH-5.08**



8EDGRC-THT-5.0



Pitch: 5.08mm; Poles: 2P~22P

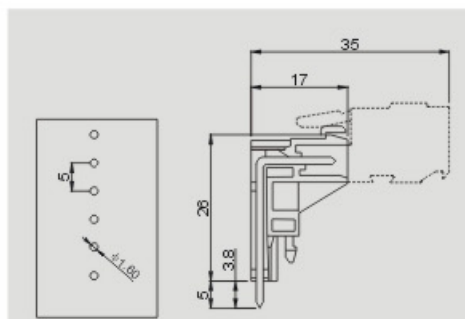
- APPROVAL** : 
- ※ **Electrical**
- | | | |
|----------------------|----------------|------|
| Standard | : UL | IEC |
| Rated voltage | : 300V | 320V |
| Rated current | : 15A | 20A |
| Withstanding voltage | : AC2500V/1Min | |
- ※ **Mechanical**
- Ambient temperature: -40°C ~ +105°C
- ※ **Dimensions**
- | | |
|-------|-----------------|
| Pitch | : 5.08mm(.200") |
| Poles | : 2P~22P |
- ※ **Material**
- | | |
|------------|---------------------|
| Housing | : PA66, UL94V-0 |
| Pin header | : Brass, Tin plated |
| Nut | : M2.5, Brass |

- ※ **电气性能**
- | | | |
|-------|--------------|------|
| 参考标准: | UL | IEC |
| 额定电压: | 300V | 320V |
| 额定电流: | 15A | 20A |
| 耐电压: | AC2500V/1Min | |

- ※ **机械性能**
- 环境温度: -40°C ~ +105°C

- ※ **尺寸**
- | | |
|-----|---------------|
| 间距: | 5.08mm(.200") |
| 极数: | 2P~22P |

- ※ **材质和电镀**
- | | |
|-----|---------------|
| 塑件: | PA66, UL94V-0 |
| 焊针: | 黄铜, 镀锡 |
| 螺母: | M2.5, 黄铜 |



Pitch: 5.0, 5.08mm; Poles: 2P~24P

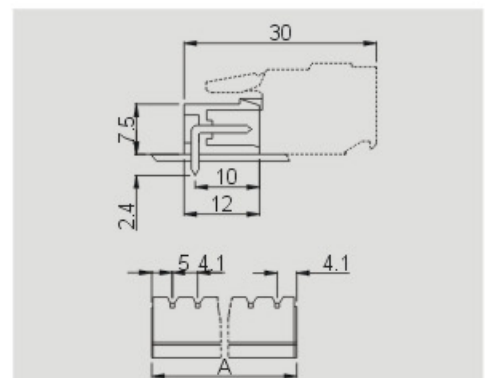
- APPROVAL** :
- ※ **Electrical**
- | | | |
|----------------------|----------------|------|
| Standard | : UL | IEC |
| Rated voltage | : 300V | 320V |
| Rated current | : 15A | 20A |
| Withstanding voltage | : AC2500V/1Min | |
- ※ **Mechanical**
- Ambient temperature: -40°C ~ +105°C
- ※ **Dimensions**
- | | |
|-------|------------------------------|
| Pitch | : 5.0mm(.197") 5.08mm(.200") |
| Poles | : 2P~24P |
- ※ **Material**
- | | |
|------------|---------------------|
| Housing | : PA66, UL94V-0 |
| Pin header | : Brass, Tin plated |

- ※ **电气性能**
- | | | |
|-------|--------------|------|
| 参考标准: | UL | IEC |
| 额定电压: | 300V | 320V |
| 额定电流: | 15A | 20A |
| 耐电压: | AC2500V/1Min | |

- ※ **机械性能**
- 环境温度: -40°C ~ +105°C

- ※ **尺寸**
- | | |
|-----|----------------------------|
| 间距: | 5.0mm(.197") 5.08mm(.200") |
| 极数: | 2P~24P |

- ※ **材质和电镀**
- | | |
|-----|---------------|
| 塑件: | PA66, UL94V-0 |
| 焊针: | 黄铜, 镀锡 |



Pitch: 5.0mm; Poles: 2P~24P

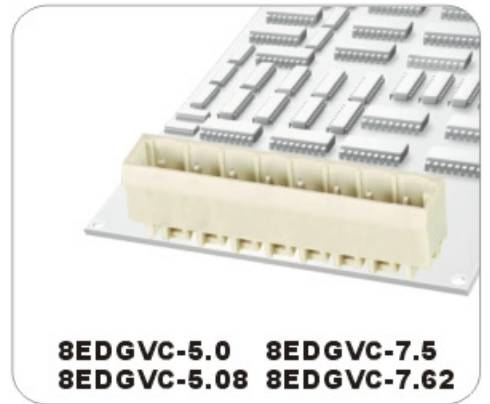
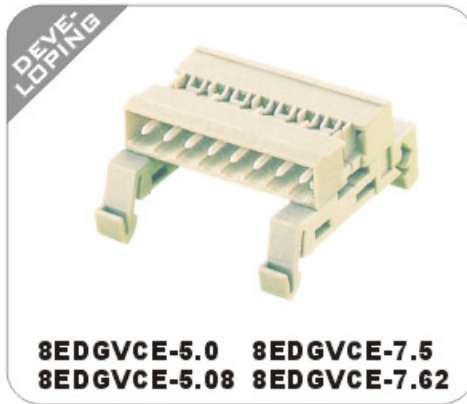
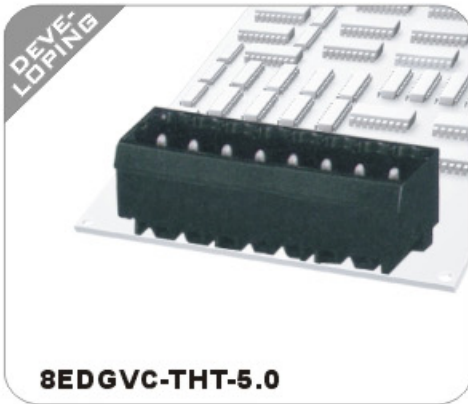
- APPROVAL** :
- ※ **Electrical**
- | | | |
|----------------------|----------------|------|
| Standard | : UL | IEC |
| Rated voltage | : 300V | 320V |
| Rated current | : 15A | 20A |
| Withstanding voltage | : AC2500V/1Min | |
- ※ **Mechanical**
- Ambient temperature: -40°C ~ +140°C
- ※ **Dimensions**
- | | |
|-------|----------------|
| Pitch | : 5.0mm(.197") |
| Poles | : 2P~24P |
- ※ **Material**
- | | |
|------------|---------------------|
| Housing | : PA46, UL94V-0 |
| Pin header | : Brass, Tin plated |

- ※ **电气性能**
- | | | |
|-------|--------------|------|
| 参考标准: | UL | IEC |
| 额定电压: | 300V | 320V |
| 额定电流: | 15A | 20A |
| 耐电压: | AC2500V/1Min | |

- ※ **机械性能**
- 环境温度: -40°C ~ +140°C

- ※ **尺寸**
- | | |
|-----|--------------|
| 间距: | 5.0mm(.197") |
| 极数: | 2P~24P |

- ※ **材质和电镀**
- | | |
|-----|---------------|
| 塑件: | PA46, UL94V-0 |
| 焊针: | 黄铜, 镀锡 |




Pitch: 5.0mm; Poles: 2P~24P

APPROVAL :
 ※ **Electrical**
 Standard : UL IEC
 Rated voltage : 300V 320V
 Rated current : 15A 20A
 Withstanding voltage : AC2500V/1Min

※ **Mechanical**
 Ambient temperature : -40°C ~ +14°C

※ **Dimensions**
 Pitch : 5.0mm (.197")
 Poles : 2P~24P

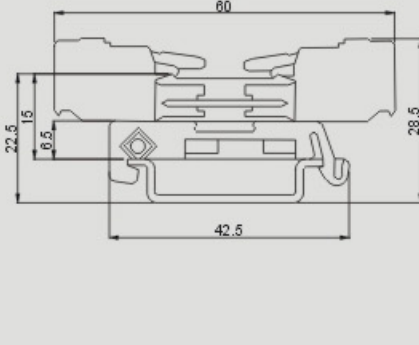
※ **Material**
 Housing : PA46, UL94V-0
 Pin header : Brass, Tin plated

※ **电气性能**
 参考标准: UL IEC
 额定电压: 300V 320V
 额定电流: 15A 20A
 耐电压: AC2500V/1Min

※ **机械性能**
 环境温度: -40°C ~ +14°C

※ **尺寸**
 间距: 5.0mm (.197")
 极数: 2P~24P

※ **材质和电镀**
 塑件: PA46, UL94V-0
 焊针: 黄铜, 镀锡



Pitch: 5.0, 5.08mm; Poles: 2P~22P
Pitch: 7.5, 7.62mm; Poles: 2P~12P

APPROVAL :
 ※ **Electrical**
 Standard : UL IEC
 Rated voltage : 300V 320V, 400V
 Rated current : 15A 20A
 Withstanding voltage : AC2500V/1Min

※ **Mechanical**
 Ambient temperature : -40°C ~ +105°C

※ **Dimensions**
 Pitch : 5.0mm (.197") 7.5mm (.295")
 5.08mm (.200") 7.62mm (.300")
 Poles : 2P~24P 2P~12P

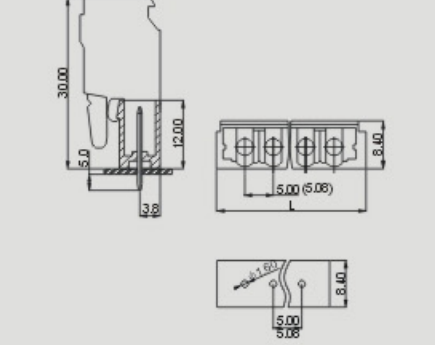
※ **Material**
 Housing : PA66, UL94V-0
 Pin header : Brass, Tin plated

※ **电气性能**
 参考标准: UL IEC
 额定电压: 300V 320V, 400V
 额定电流: 15A 20A
 耐电压: AC2500V/1Min


※ **机械性能**
 环境温度: -40°C ~ +105°C

※ **尺寸**
 间距: 5.0mm (.197") 7.5mm (.295")
 5.08mm (.200") 7.62mm (.300")
 极数: 2P~24P 2P~12P

※ **材质和电镀**
 塑件: PA66, UL94V-0
 焊针: 黄铜, 镀锡



Pitch: 5.0, 5.08mm; Poles: 2P~24P
Pitch: 7.5, 7.62mm; Poles: 2P~12P

APPROVAL : 
 ※ **Electrical**
 Standard : UL IEC
 Rated voltage : 300V 320V, 400V
 Rated current : 15A 20A
 Withstanding voltage : AC2500V/1Min

※ **Mechanical**
 Ambient temperature : -40°C ~ +105°C

※ **Dimensions**
 Pitch : 5.0mm (.197") 7.5mm (.295")
 5.08mm (.200") 7.62mm (.300")
 Poles : 2P~24P 2P~12P

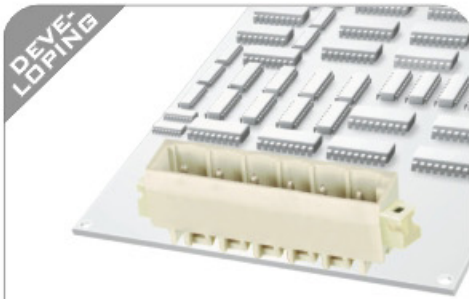
※ **Material**
 Housing : PA66, UL94V-0
 Pin header : Brass, Tin plated

※ **电气性能**
 参考标准: UL IEC
 额定电压: 300V 320V, 400V
 额定电流: 15A 20A
 耐电压: AC2500V/1Min

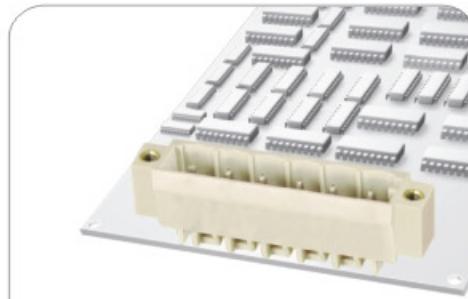
※ **机械性能**
 环境温度: -40°C ~ +105°C

※ **尺寸**
 间距: 5.0mm (.197") 7.5mm (.295")
 5.08mm (.200") 7.62mm (.300")
 极数: 2P~24P 2P~12P

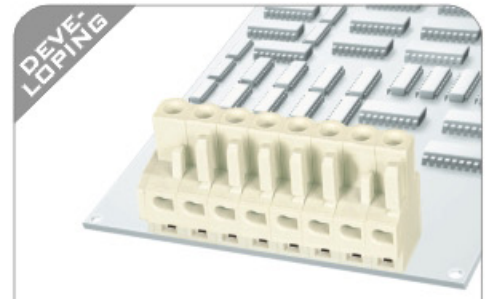
※ **材质和电镀**
 塑件: PA66, UL94V-0
 焊针: 黄铜, 镀锡



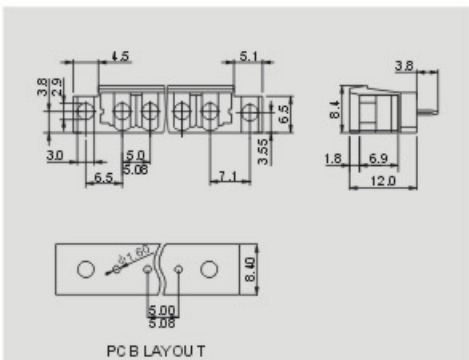
8EDGVMA-5.0 8EDGVMA-7.5
8EDGVMA-5.08 8EDGVMA-7.62




8EDGVM-5.08



8EDGA-5.0 8EDGA-7.5
8EDGA-5.08 8EDGA-7.62



Pitch: 5.0,5.08 mm; Poles: 2P~24P
Pitch: 7.5,7.62 mm; Poles: 2P~12P

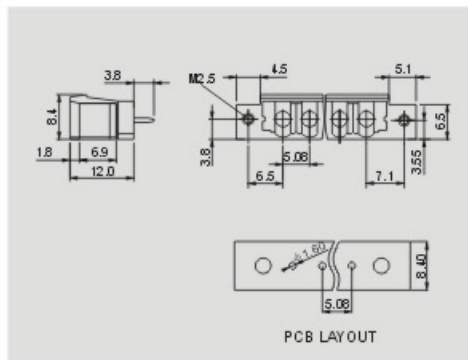
APPROVAL	: 	
※ Electrical		
Standard	: UL	IEC
Rated voltage	: 300V	320V,400V
Rated current	: 15A	20A
Withstanding voltage	: AC2500V/1Min	
※ Mechanical		
Ambient temperature	: -40°C ~ +105°C	
※ Dimensions		
Pitch	: 5.0mm (.197")	7.5mm (.295")
	: 5.08mm (.200")	7.62mm (.300")
Poles	: 2P~24P	2P~12P
※ Material		
Housing	: PA66, UL94V-0	
Pin header	: Brass, Tin plated	

※ 电气性能
参考标准: UL IEC
额定电压: 300V 320V,400V
额定电流: 15A 20A
耐电压: AC2500V/1Min


※ 机械性能
环境温度: -40°C ~ +105°C

※ 尺寸
间距: 5.0mm (.197") 7.5mm (.295")
5.08mm (.200") 7.62mm (.300")
极数: 2P~24P 2P~12P

※ 材质和电镀
塑件: PA66, UL94V-0
焊针: 黄铜, 镀锡



Pitch: 5.08 mm; Poles: 2P~22P

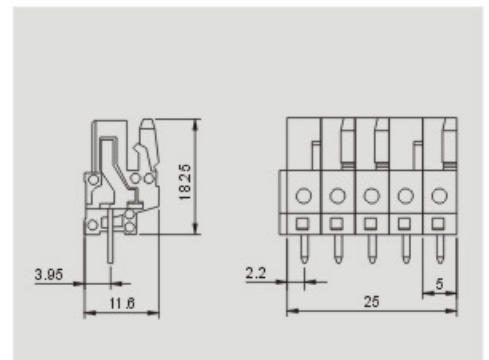
APPROVAL	: 	
※ Electrical		
Standard	: UL	IEC
Rated voltage	: 300V	320V
Rated current	: 15A	20A
Withstanding voltage	: AC2500V/1Min	
※ Mechanical		
Ambient temperature	: -40°C ~ +105°C	
※ Dimensions		
Pitch	: 5.08mm (.200")	
Poles	: 2P~22P	
※ Material		
Housing	: PA66, UL94V-0	
Pin header	: Brass, Tin plated	
Nut	: M2.5, Brass	

※ 电气性能
参考标准: UL IEC
额定电压: 300V 320V
额定电流: 15A 20A
耐电压: AC2500V/1Min

※ 机械性能
环境温度: -40°C ~ +105°C

※ 尺寸
间距: 5.08mm (.200")
极数: 2P~22P

※ 材质和电镀
塑件: PA66, UL94V-0
焊针: 黄铜, 镀锡
螺母: M2.5, 黄铜



Pitch: 5.0,5.08 mm; Poles: 2P~24P
Pitch: 7.5,7.62 mm; Poles: 2P~12P

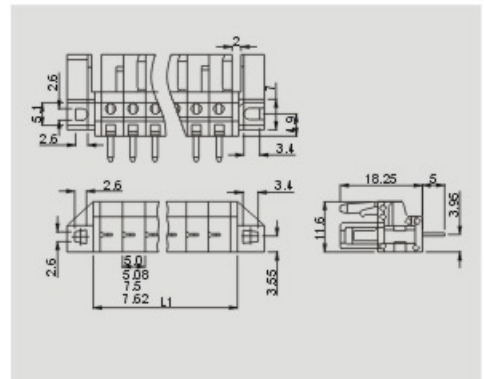
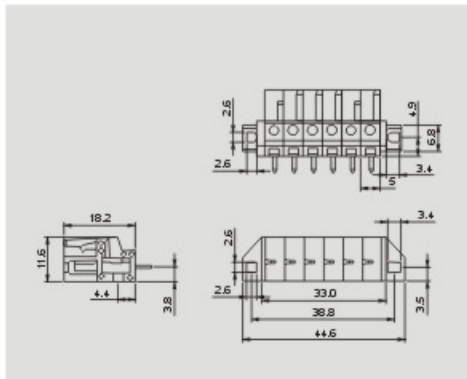
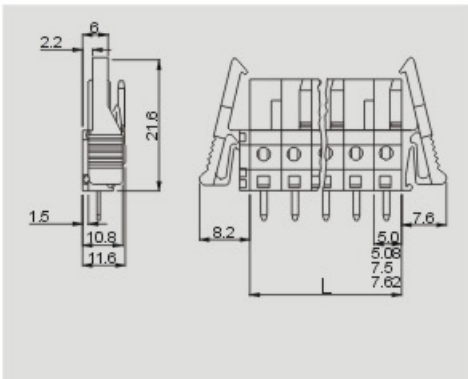
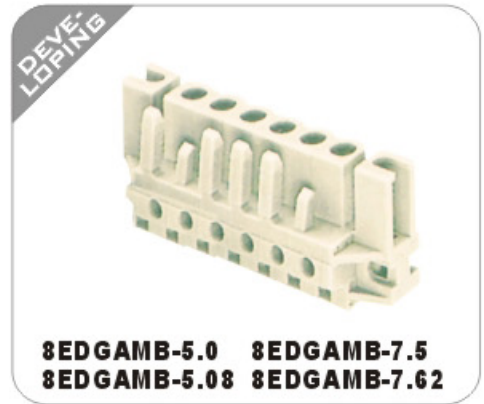
APPROVAL	:	
※ Electrical		
Standard	: UL	IEC
Rated voltage	: 300V	320V,400V
Rated current	: 15A	20A
Withstanding voltage	: AC2500V/1Min	
※ Mechanical		
Ambient temperature	: -40°C ~ +105°C	
※ Dimensions		
Pitch	: 5.0mm (.197")	7.5mm (.295")
	: 5.08mm (.200")	7.62mm (.300")
Poles	: 2P~24P	2P~12P
※ Material		
Housing	: PA66, UL94V-0	
Contact	: Phosphor bronze	

※ 电气性能
参考标准: UL IEC
额定电压: 300V 320V,400V
额定电流: 15A 20A
耐电压: AC2500V/1Min

※ 机械性能
环境温度: -40°C ~ +105°C

※ 尺寸
间距: 5.0mm (.197") 7.5mm (.295")
5.08mm (.200") 7.62mm (.300")
极数: 2P~24P 2P~12P

※ 材质和电镀
塑件: PA66, UL94V-0
触点材料: 磷青铜



Pitch: 5.0,5.08mm; Poles: 2P~24P
Pitch: 7.5,7.62mm; Poles: 2P~12P

Pitch: 5.0,5.08mm; Poles: 2P~24P
Pitch: 7.5,7.62mm; Poles: 2P~12P

Pitch: 5.0,5.08mm; Poles: 2P~24P
Pitch: 7.5,7.62mm; Poles: 2P~12P

APPROVAL :
 ※**Electrical**
 Standard : UL IEC
 Rated voltage : 300V 320V,400V
 Rated current : 15A 20A
 Withstanding voltage : AC2500V/1Min
 ※**Mechanical**
 Ambient temperature : -40°C~+105°C
 ※**Dimensions**
 Pitch : 5.0mm(.197") 7.5mm(.295")
 5.08mm(.200") 7.62mm(.300")
 Poles : 2P~24P 2P~12P
 ※**Material**
 Housing : PA66,UL94V-0
 Contact : Phosphor bronze

APPROVAL :
 ※**Electrical**
 Standard : UL IEC
 Rated voltage : 300V 320V,400V
 Rated current : 15A 20A
 Withstanding voltage : AC2500V/1Min
 ※**Mechanical**
 Ambient temperature : -40°C~+105°C
 ※**Dimensions**
 Pitch : 5.0mm(.197") 7.5mm(.295")
 5.08mm(.200") 7.62mm(.300")
 Poles : 2P~24P 2P~12P
 ※**Material**
 Housing : PA66,UL94V-0
 Contact : Phosphor bronze

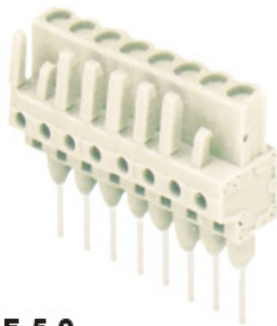
APPROVAL :
 ※**Electrical**
 Standard : UL IEC
 Rated voltage : 300V 320V,400V
 Rated current : 15A 20A
 Withstanding voltage : AC2500V/1Min
 ※**Mechanical**
 Ambient temperature : -40°C~+105°C
 ※**Dimensions**
 Pitch : 5.0mm(.197") 7.5mm(.295")
 5.08mm(.200") 7.62mm(.300")
 Poles : 2P~24P 2P~12P
 ※**Material**
 Housing : PA66,UL94V-0
 Contact : Phosphor bronze

※**电气性能**
 参考标准: UL IEC
 额定电压: 300V 320V,400V
 额定电流: 15A 20A
 耐电压: AC2500V/1Min
 ※**机械性能**
 环境温度: -40°C~+105°C
 ※**尺寸**
 间距: 5.0mm(.197") 7.5mm(.295")
 5.08mm(.200") 7.62mm(.300")
 极数: 2P~24P 2P~12P
 ※**材质和电镀**
 塑件: PA66,UL94V-0
 触点材料: 磷青铜

※**电气性能**
 参考标准: UL IEC
 额定电压: 300V 320V,400V
 额定电流: 15A 20A
 耐电压: AC2500V/1Min
 ※**机械性能**
 环境温度: -40°C~+105°C
 ※**尺寸**
 间距: 5.0mm(.197") 7.5mm(.295")
 5.08mm(.200") 7.62mm(.300")
 极数: 2P~24P 2P~12P
 ※**材质和电镀**
 塑件: PA66,UL94V-0
 触点材料: 磷青铜

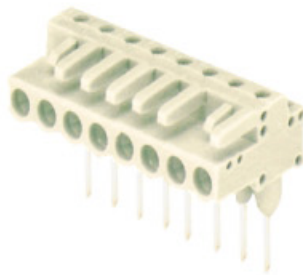
※**电气性能**
 参考标准: UL IEC
 额定电压: 300V 320V,400V
 额定电流: 15A 20A
 耐电压: AC2500V/1Min
 ※**机械性能**
 环境温度: -40°C~+105°C
 ※**尺寸**
 间距: 5.0mm(.197") 7.5mm(.295")
 5.08mm(.200") 7.62mm(.300")
 极数: 2P~24P 2P~12P
 ※**材质和电镀**
 塑件: PA66,UL94V-0
 触点材料: 磷青铜

DEVE-
LOPING



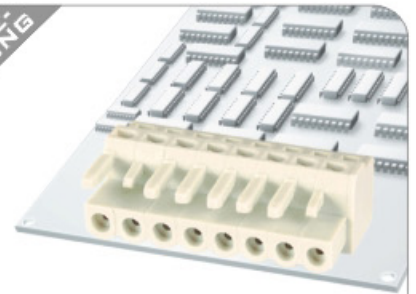
8EDGE-5.0

DEVE-
LOPING

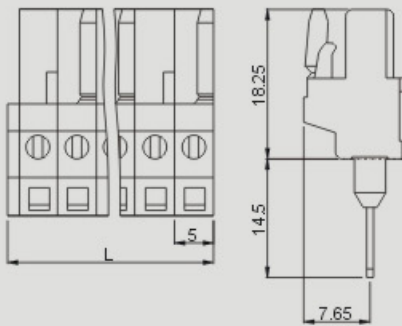


8EDGF-5.0

DEVE-
LOPING



8EDGB-5.0 8EDGB-7.5
8EDGB-5.08 8EDGB-7.62



Pitch: 5.0mm; Poles: 2P~24P

APPROVAL

※ Electrical		
Standard	: UL	IEC
Rated voltage	: 300V	320V
Rated current	: 15A	20A
Withstanding voltage	: AC2500V/1Min	

※ **Mechanical**

Ambient temperature: -40°C~ +105°C

※ **Dimensions**

Pitch	: 5.0mm (.197")
Poles	: 2P~24P

※ **Material**

Housing	: PA66, UL94V-0
Contact	: Phosphor bronze

※ **电气性能**

参考标准:	UL	IEC
额定电压:	300V	320V
额定电流:	15A	20A
耐电压:	AC2500V/1Min	

※ **机械性能**

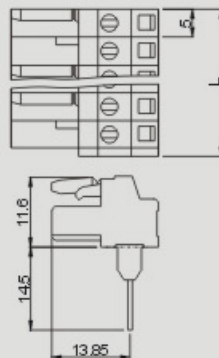
环境温度: -40°C~ +105°C

※ **尺寸**

间距:	5.0mm (.197")
极数:	2P~24P

※ **材质和电镀**

塑件: PA66, UL94V-0
触点材料: 磷青铜



Pitch: 5.0mm; Poles: 2P~24P

APPROVAL

※ Electrical		
Standard	: UL	IEC
Rated voltage	: 300V	320V
Rated current	: 15A	20A
Withstanding voltage	: AC2500V/1Min	

※ **Mechanical**

Ambient temperature: -40°C~ +105°C

※ **Dimensions**

Pitch	: 5.0mm (.197")
Poles	: 2P~24P

※ **Material**

Housing	: PA66, UL94V-0
Contact	: Phosphor bronze

※ **电气性能**

参考标准:	UL	IEC
额定电压:	300V	320V
额定电流:	15A	20A
耐电压:	AC2500V/1Min	

※ **机械性能**

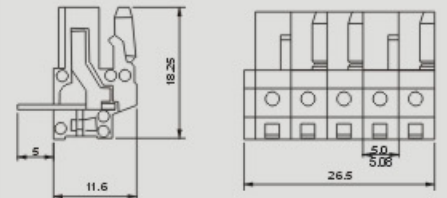
环境温度: -40°C~ +105°C

※ **尺寸**

间距:	5.0mm (.197")
极数:	2P~24P

※ **材质和电镀**

塑件: PA66, UL94V-0
触点材料: 磷青铜



Pitch: 5.0, 5.08mm; Poles: 2P~24P
Pitch: 7.5, 7.62mm; Poles: 2P~12P

APPROVAL

※ Electrical		
Standard	: UL	IEC
Rated voltage	: 300V	320V, 400V
Rated current	: 15A	20A
Withstanding voltage	: AC2500V/1Min	

※ **Mechanical**

Ambient temperature: -40°C~ +105°C

※ **Dimensions**

Pitch	: 5.0mm (.197")	7.5mm (.295")
	5.08mm (.200")	7.62mm (.300")
Poles	: 2P~24P	2P~12P

※ **Material**

Housing	: PA66, UL94V-0
Contact	: Phosphor bronze

※ **电气性能**

参考标准:	UL	IEC
额定电压:	300V	320V, 400V
额定电流:	15A	20A
耐电压:	AC2500V/1Min	

※ **机械性能**

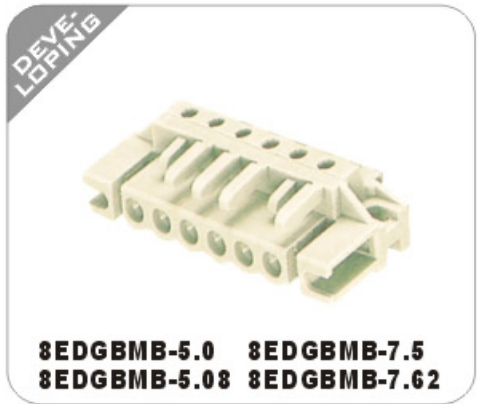
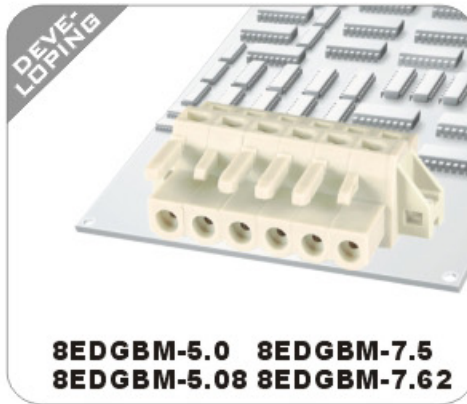
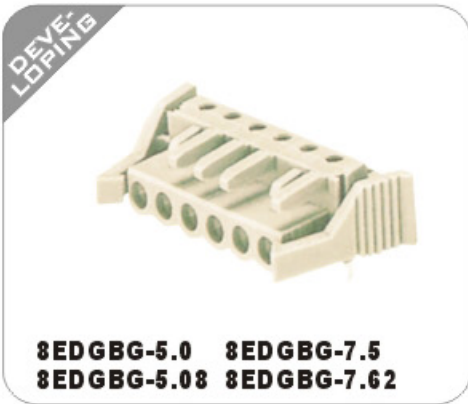
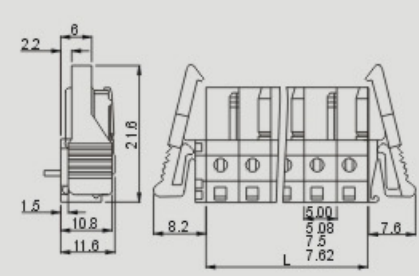
环境温度: -40°C~ +105°C

※ **尺寸**

间距:	5.0mm (.197")	7.5mm (.295")
	5.08mm (.200")	7.62mm (.300")
极数:	2P~24P	2P~12P

※ **材质和电镀**

塑件: PA66, UL94V-0
触点材料: 磷青铜

Pitch: 5.0, 5.08mm; Poles: 2P~24P
Pitch: 7.5, 7.62mm; Poles: 2P~12P

APPROVAL :
 ※**Electrical**
 Standard : UL IEC
 Rated voltage : 300V 320V,400V
 Rated current : 15A 20A
 With standing voltage : AC2500V/1Min

※**Mechanical**
 Ambient temperature : -40°C ~ +105°C

※**Dimensions**
 Pitch : 5.0mm(.197") 7.5mm(.295")
 5.08mm(.200") 7.62mm(.300")
 Poles : 2P~24P 2P~12P

※**Material**
 Housing : PA66,UL94V-0
 Contact : Phosphor bronze

※**电气性能**
 参考标准: UL IEC
 额定电压: 300V 320V,400V
 额定电流: 15A 20A
 耐电压: AC2500V/1Min

※**机械性能**
 环境温度: -40°C ~ +105°C

※**尺寸**
 间距: 5.0mm(.197") 7.5mm(.295")
 5.08mm(.200") 7.62mm(.300")
 极数: 2P~24P 2P~12P

※**材质和电镀**
 塑件: PA66,UL94V-0
 触点材料: 磷青铜



Pitch: 5.0, 5.08mm; Poles: 2P~24P
Pitch: 7.5, 7.62mm; Poles: 2P~12P

APPROVAL :
 ※**Electrical**
 Standard : UL IEC
 Rated voltage : 300V 320V,400V
 Rated current : 15A 20A
 Withstanding voltage : AC2500V/1Min

※**Mechanical**
 Ambient temperature : -40°C ~ +105°C

※**Dimensions**
 Pitch : 5.0mm(.197") 7.5mm(.295")
 5.08mm(.200") 7.62mm(.300")
 Poles : 2P~24P

※**Material**
 Housing : PA66,UL94V-0
 Contact : Phosphor bronze

※**电气性能**
 参考标准: UL IEC
 额定电压: 300V 320V,400V
 额定电流: 15A 20A
 耐电压: AC2500V/1Min

※**机械性能**
 环境温度: -40°C ~ +105°C

※**尺寸**
 间距: 5.0mm(.197") 7.5mm(.295")
 5.08mm(.200") 7.62mm(.300")
 极数: 2P~24P

※**材质和电镀**
 塑件: PA66,UL94V-0
 触点材料: 磷青铜



Pitch: 5.0, 5.08mm; Poles: 2P~24P
Pitch: 7.5, 7.62mm; Poles: 2P~12P

APPROVAL :
 ※**Electrical**
 Standard : UL IEC
 Rated voltage : 300V 320V,400V
 Rated current : 15A 20A
 Withstanding voltage : AC2500V/1Min

※**Mechanical**
 Ambient temperature : -40°C ~ +105°C

※**Dimensions**
 Pitch : 5.0mm(.197") 7.5mm(.295")
 5.08mm(.200") 7.62mm(.300")
 Poles : 2P~24P 2P~12P

※**Material**
 Housing : PA66,UL94V-0
 Contact : Phosphor bronze

※**电气性能**
 参考标准: UL IEC
 额定电压: 300V 320V,400V
 额定电流: 15A 20A
 耐电压: AC2500V/1Min

※**机械性能**
 环境温度: -40°C ~ +105°C

※**尺寸**
 间距: 5.0mm(.197") 7.5mm(.295")
 5.08mm(.200") 7.62mm(.300")
 极数: 2P~24P 2P~12P

※**材质和电镀**
 塑件: PA66,UL94V-0
 触点材料: 磷青铜

DEVE-
LOPING



8EDGC-5.0
8EDGC-7.5

DEVE-
LOPING

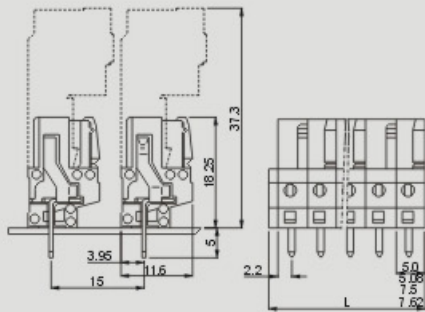


8EDGCG-5.0
8EDGCG-7.5

DEVE-
LOPING



8EDGCM-5.0
8EDGCM-7.5



Pitch: 5.0mm; Poles: 2P~24P
Pitch: 7.5mm; Poles: 2P~12P

APPROVAL

※ **Electrical**
Standard : UL IEC
Rated voltage : 300V 320V,400V
Rated current : 15A 20A
Withstanding voltage : AC2500V/1Min

※ **Mechanical**
Ambient temperature : -40°C ~ +105°C

※ **Dimensions**
Pitch : 5.0mm (.197") 7.5mm (.295")
Poles : 2P~24P 2P~12P

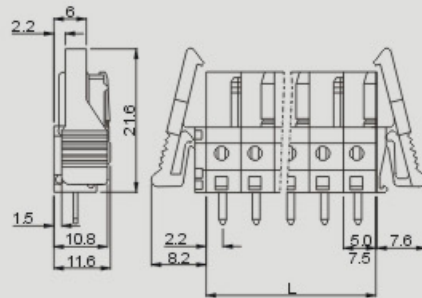
※ **Material**
Housing : PA66,UL94V-0
Contact : Phosphor bronze

※ 电气性能
参考标准: UL IEC
额定电压: 300V 320V,400V
额定电流: 15A 20A
耐电压: AC2500V/1Min

※ 机械性能
环境温度: -40°C ~ +105°C

※ 尺寸
间距: 5.0mm (.197") 7.5mm (.295")
极数: 2P~24P 2P~12P

※ 材质和电镀
塑件: PA66,UL94V-0
触点材料: 磷青铜



Pitch: 5.0mm; Poles: 2P~24P
Pitch: 7.5mm; Poles: 2P~12P

APPROVAL

※ **Electrical**
Standard : UL IEC
Rated voltage : 300V 320V,400V
Rated current : 15A 20A
Withstanding voltage : AC2500V/1Min

※ **Mechanical**
Ambient temperature : -40°C ~ +105°C

※ **Dimensions**
Pitch : 5.0mm (.197") 7.5mm (.295")
Poles : 2P~24P 2P~12P

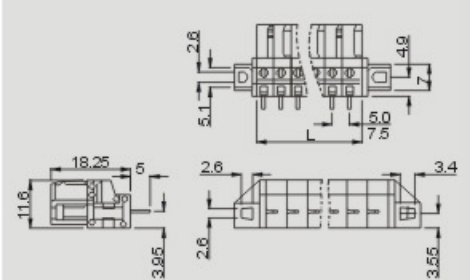
※ **Material**
Housing : PA66,UL94V-0
Contact : Phosphor bronze

※ 电气性能
参考标准: UL IEC
额定电压: 300V 320V,400V
额定电流: 15A 20A
耐电压: AC2500V/1Min

※ 机械性能
环境温度: -40°C ~ +105°C

※ 尺寸
间距: 5.0mm (.197") 7.5mm (.295")
极数: 2P~24P 2P~12P

※ 材质和电镀
塑件: PA66,UL94V-0
触点材料: 磷青铜



Pitch: 5.0mm; Poles: 2P~24P
Pitch: 7.5mm; Poles: 2P~12P

APPROVAL

※ **Electrical**
Standard : UL IEC
Rated voltage : 300V 320V,400V
Rated current : 15A 20A
Withstanding voltage : AC2500V/1Min

※ **Mechanical**
Ambient temperature : -40°C ~ +105°C

※ **Dimensions**
Pitch : 5.0mm (.197") 7.5mm (.295")
Poles : 2P~24P 2P~12P

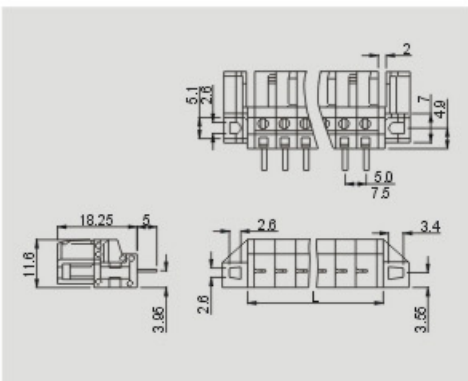
※ **Material**
Housing : PA66,UL94V-0
Contact : Phosphor bronze

※ 电气性能
参考标准: UL IEC
额定电压: 300V 320V,400V
额定电流: 15A 20A
耐电压: AC2500V/1Min

※ 机械性能
环境温度: -40°C ~ +105°C

※ 尺寸
间距: 5.0mm (.197") 7.5mm (.295")
极数: 2P~24P 2P~12P

※ 材质和电镀
塑件: PA66,UL94V-0
触点材料: 磷青铜



Pitch: 5.0mm; Poles: 2P~24P
Pitch: 7.5mm; Poles: 2P~12P

APPROVAL

※ **Electrical**
Standard : UL IEC
Rated voltage : 300V 320V,400V
Rated current : 15A 20A
Withstanding voltage: AC2500V/1Min

※ **Mechanical**

Ambient temperature: -40°C~+105°C

※ **Dimensions**

Pitch : 5.0mm(.197") 7.5mm(.295")
Poles : 2P~24P 2P~12P

※ **Material**

Housing : PA66,UL94V-0
Contact : Phosphor bronze

※ **电气性能**

参考标准: UL IEC
额定电压: 300V 320V,400V
额定电流: 15A 20A
耐电压: AC2500V/1Min

※ **机械性能**

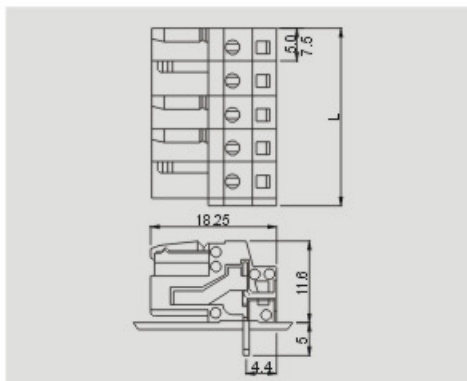
环境温度: -40°C~+105°C

※ **尺寸**

间距: 5.0mm(.197") 7.5mm(.295")
极数: 2P~24P 2P~12P

※ **材质和电镀**

塑件: PA66,UL94V-0
触点材料: 磷青铜



Pitch: 5.0mm; Poles: 2P~24P
Pitch: 7.5mm; Poles: 2P~12P

APPROVAL

※ **Electrical**
Standard : UL IEC
Rated voltage : 300V 320V,400V
Rated current : 15A 20A
Withstanding voltage: AC2500V/1Min

※ **Mechanical**

Ambient temperature: -40°C~+105°C

※ **Dimensions**

Pitch : 5.0mm(.197") 7.5mm(.295")
Poles : 2P~24P 2P~12P

※ **Material**

Housing : PA66,UL94V-0
Contact : Phosphor bronze

※ **电气性能**

参考标准: UL IEC
额定电压: 300V 320V,400V
额定电流: 15A 20A
耐电压: AC2500V/1Min

※ **机械性能**

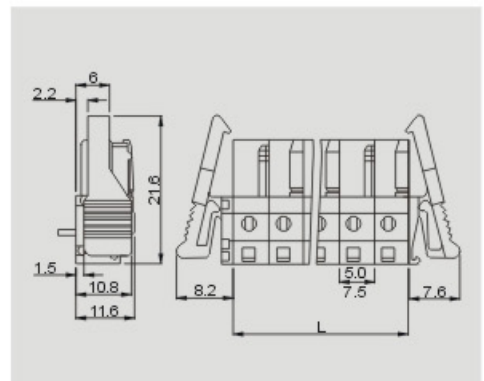
环境温度: -40°C~+105°C

※ **尺寸**

间距: 5.0mm(.197") 7.5mm(.295")
极数: 2P~24P 2P~12P

※ **材质和电镀**

塑件: PA66,UL94V-0
触点材料: 磷青铜



Pitch: 5.0mm; Poles: 2P~24P
Pitch: 7.5mm; Poles: 2P~12P

APPROVAL

※ **Electrical**
Standard : UL IEC
Rated voltage : 300V 320V,400V
Rated current : 15A 20A
Withstanding voltage: AC2500V/1Min

※ **Mechanical**

Ambient temperature: -40°C~+105°C

※ **Dimensions**

Pitch : 5.0mm(.197") 7.5mm(.295")
Poles : 2P~24P 2P~12P

※ **Material**

Housing : PA66,UL94V-0
Contact : Phosphor bronze

※ **电气性能**

参考标准: UL IEC
额定电压: 300V 320V,400V
额定电流: 15A 20A
耐电压: AC2500V/1Min

※ **机械性能**

环境温度: -40°C~+105°C

※ **尺寸**

间距: 5.0mm(.197") 7.5mm(.295")
极数: 2P~24P 2P~12P

※ **材质和电镀**

塑件: PA66,UL94V-0
触点材料: 磷青铜

DEVE-
LOPING



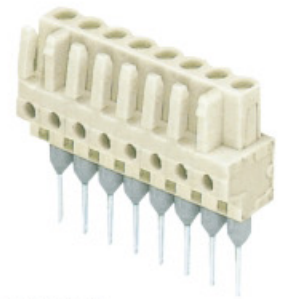
8EDGDM-5.0
8EDGDM-7.5

DEVE-
LOPING

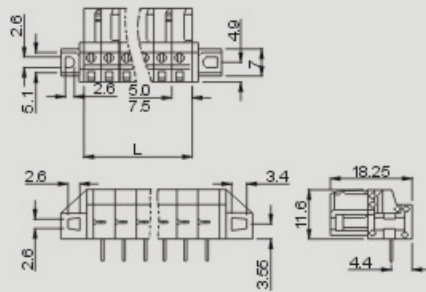


8EDGDMB-5.0
8EDGDMB-7.5

DEVE-
LOPING



8EDGDH-5.0



Pitch: 5.0mm; Poles: 2P~24P
Pitch: 7.5mm; Poles: 2P~12P

APPROVAL

※ **Electrical**
Standard : UL IEC
Rated voltage : 300V 320V,400V
Rated current : 15A 20A
Withstanding voltage : AC2500V/1Min

※ **Mechanical**

Ambient temperature : -40°C ~ +105°C

※ **Dimensions**

Pitch : 5.0mm (.197") 7.5mm (.295")
Poles : 2P~24P 2P~12P

※ **Material**

Housing : PA66,UL94V-0
Contact : Phosphor bronze

※ **电气性能**

参考标准: UL IEC
额定电压: 300V 320V,400V
额定电流: 15A 20A
耐电压: AC2500V/1Min

※ **机械性能**

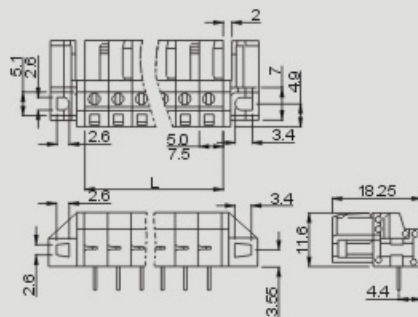
环境温度: -40°C ~ +105°C

※ **尺寸**

间距: 5.0mm (.197") 7.5mm (.295")
极数: 2P~24P 2P~12P

※ **材质和电镀**

塑件: PA66,UL94V-0
触点材料: 磷青铜



Pitch: 5.0mm; Poles: 2P~24P
Pitch: 7.5mm; Poles: 2P~12P

APPROVAL

※ **Electrical**
Standard : UL IEC
Rated voltage : 300V 320V,400V
Rated current : 15A 20A
Withstanding voltage : AC2500V/1Min

※ **Mechanical**

Ambient temperature : -40°C ~ +105°C

※ **Dimensions**

Pitch : 5.0mm (.197") 7.5mm (.295")
Poles : 2P~24P 2P~12P

※ **Material**

Housing : PA66,UL94V-0
Contact : Phosphor bronze

※ **电气性能**

参考标准: UL IEC
额定电压: 300V 320V,400V
额定电流: 15A 20A
耐电压: AC2500V/1Min

※ **机械性能**

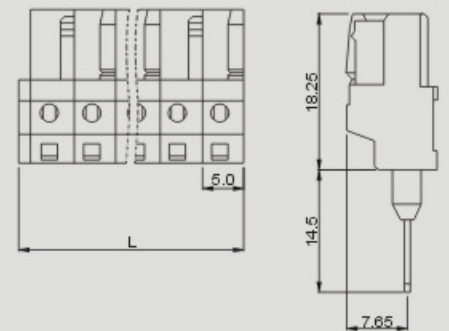
环境温度: -40°C ~ +105°C

※ **尺寸**

间距: 5.0mm (.197") 7.5mm (.295")
极数: 2P~24P 2P~12P

※ **材质和电镀**

塑件: PA66,UL94V-0
触点材料: 磷青铜



Pitch: 5.0mm; Poles: 2P~24P

APPROVAL

※ **Electrical**
Standard : UL IEC
Rated voltage : 300V 320V
Rated current : 15A 20A
Withstanding voltage : AC2500V/1Min

※ **Mechanical**

Ambient temperature : -40°C ~ +105°C

※ **Dimensions**

Pitch : 5.0mm (.197")
Poles : 2P~24P

※ **Material**

Housing : PA66,UL94V-0
Contact : Phosphor bronze

※ **电气性能**

参考标准: UL IEC
额定电压: 300V 320V
额定电流: 15A 20A
耐电压: AC2500V/1Min

※ **机械性能**

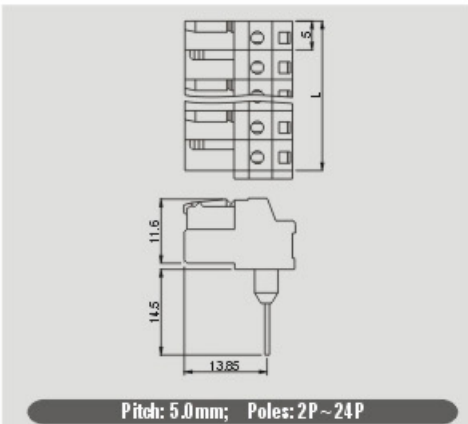
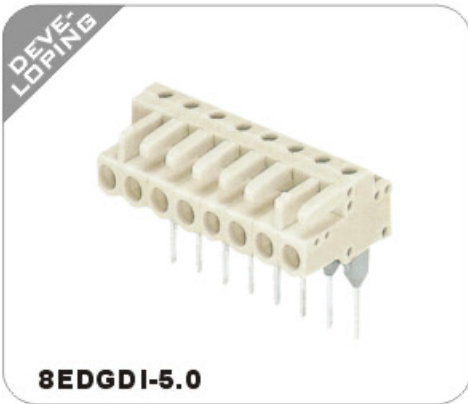
环境温度: -40°C ~ +105°C

※ **尺寸**

间距: 5.0mm (.197")
极数: 2P~24P

※ **材质和电镀**

塑件: PA66,UL94V-0
触点材料: 磷青铜



APPROVAL :
 ※ **Electrical**
 Standard : UL IEC
 Rated voltage : 300V 320V
 Rated current : 15A 20A
 Withstanding voltage : AC2500V/1Min

※ **Mechanical**
 Ambient temperature : -40°C ~ +105°C

※ **Dimensions**
 Pitch : 5.0mm (.197")
 Poles : 2P~24P

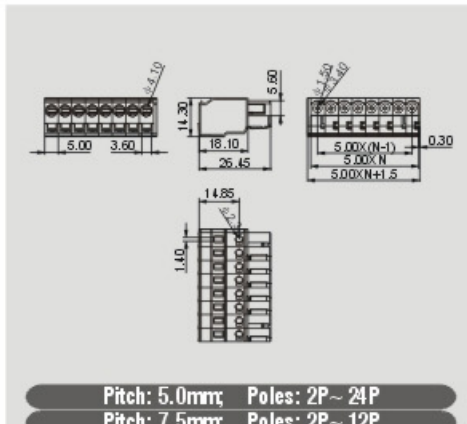
※ **Material**
 Housing : PA66, UL94V-0
 Contact : Phosphor bronze

※ **电气性能**
 参考标准: UL IEC
 额定电压: 300V 320V
 额定电流: 15A 20A
 耐电压: AC2500V/1Min

※ **机械性能**
 环境温度: -40°C ~ +105°C

※ **尺寸**
 间距: 5.0mm (.197")
 级数: 2P~24P

※ **材质和电镀**
 塑件: PA66, UL94V-0
 触点材料: 磷青铜



APPROVAL : 
 ※ **Electrical**
 Standard : UL IEC
 Rated voltage : 300V 320V
 Rated current : 15A 20A
 Wire range : 22-14AWG 2.5mm²
 Withstanding voltage : AC2500V/1Min

※ **Mechanical**
 Ambient temperature : -40°C ~ +105°C
 Strip length : 8-9 mm

※ **Dimensions**
 Pitch : 5.0mm (.197") 7.5mm (.295")
 Poles : 2P~24P 2P~12P

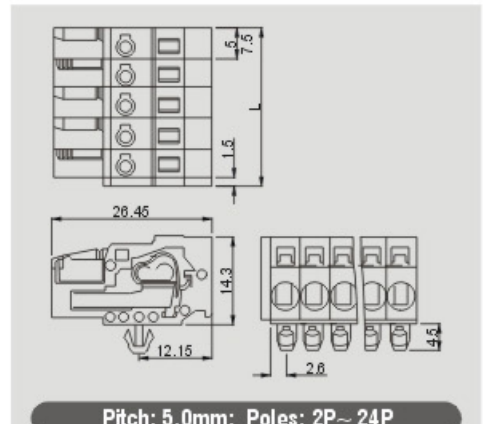
※ **Material**
 Housing : PA66, UL94V-0
 Contact : Phosphor bronze
 Wire guard : Stainless steel

※ **电气性能**
 参考标准: UL IEC
 额定电压: 300V 320V
 额定电流: 15A 20A
 导线线径: 22-14AWG 2.5mm²
 耐电压: AC2500V/1Min

※ **机械性能**
 环境温度: -40°C ~ +105°C
 剥线长度: 8-9mm

※ **尺寸**
 间距: 5.0mm (.197") 7.5mm (.295")
 级数: 2P~24P 2P~12P

※ **材质和电镀**
 塑件: PA66, UL94V-0
 触点材料: 磷青铜
 簧片: 不锈钢



APPROVAL :
 ※ **Electrical**
 Standard : UL IEC
 Rated voltage : 300V 320V
 Rated current : 15A 20A
 Wire range : 22-14AWG 2.5mm²
 Withstanding voltage : AC2500V/1Min

※ **Mechanical**
 Ambient temperature : -40°C ~ +105°C
 Strip length : 8-9 mm

※ **Dimensions**
 Pitch : 5.0mm (.197")
 Poles : 2P~24P

※ **Material**
 Housing : PA66, UL94V-0
 Contact : Phosphor bronze
 Wire guard : Stainless steel

※ **电气性能**
 参考标准: UL IEC
 额定电压: 300V 320V
 额定电流: 15A 20A
 导线线径: 22-14AWG 2.5mm²
 耐电压: AC2500V/1Min

※ **机械性能**
 环境温度: -40°C ~ +105°C
 剥线长度: 8-9mm

※ **尺寸**
 间距: 5.0mm (.197")
 级数: 2P~24P

※ **材质和电镀**
 塑件: PA66, UL94V-0
 触点材料: 磷青铜
 簧片: 不锈钢

DEVE-
LOPING



8EDGKJ-5.0

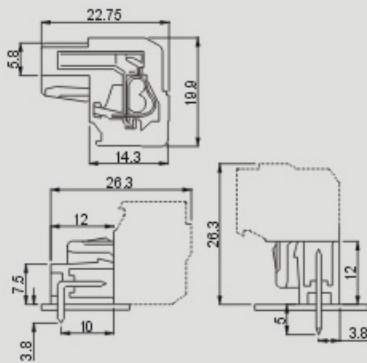
**8EDGKMB-5.0
8EDGKMB-7.5**



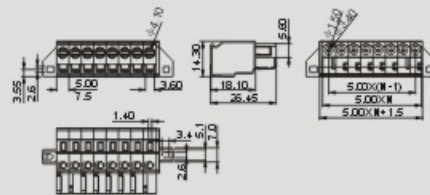
DEVE-
LOPING



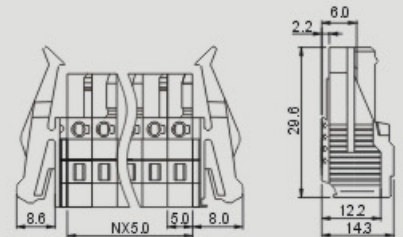
**8EDGKGB-5.0
8EDGKGB-7.5**



Pitch: 5.0mm; Poles: 2P~24P



Pitch: 5.0mm; Poles: 2P~24P
Pitch: 7.5mm; Poles: 2P~12P



Pitch: 5.0mm; Poles: 2P~24P
Pitch: 7.5mm; Poles: 2P~12P

APPROVAL

※ Electrical		
Standard	: UL	IEC
Rated voltage	: 300V	320V
Rated current	: 15A	20A
Wire range	: 22-14AWG	2.5mm ²
Withstanding voltage	: AC2500V/1Min	

※ **Mechanical**

Ambient temperature	: -40°C ~ +105°C
Strip length	: 8-9mm

※ **Dimensions**

Pitch	: 5.0mm (.197")
Poles	: 2P~24P

※ **Material**

Housing	: PA66, UL94V-0
Contact	: Phosphor bronze
Wire guard	: Stainless steel

※ **电气性能**

参考标准	: UL	IEC
额定电压	: 300V	320V
额定电流	: 15A	20A
导线线径	: 22-14AWG	2.5mm ²
耐电压	: AC2500V/1Min	

※ **机械性能**

环境温度	: -40°C ~ +105°C
剥线长度	: 8-9mm

※ **尺寸**

间距	: 5.0mm (.197")
极数	: 2P~24P

※ **材质和电镀**

塑件	: PA66, UL94V-0
触点材料	: 磷青铜
簧片	: 不锈钢

APPROVAL

※ Electrical			CE
Standard	: UL	IEC	
Rated voltage	: 300V	320V, 400V	
Rated current	: 15A	20A	
Wire range	: 22-14AWG	2.5mm ²	
Withstanding voltage	: AC2500V/1Min		

※ **Mechanical**

Ambient temperature	: -40°C ~ +105°C
Strip length	: 8-9mm

※ **Dimensions**

Pitch	: 5.0mm (.197")	7.5mm (.295")
Poles	: 2P~24P	2P~12P

※ **Material**

Housing	: PA66, UL94V-0
Contact	: Phosphor bronze
Wire guard	: Stainless steel

※ **电气性能**

参考标准	: UL	IEC
额定电压	: 300V	320V, 400V
额定电流	: 15A	20A
导线线径	: 22-14AWG	2.5mm ²
耐电压	: AC2500V/1Min	

※ **机械性能**

环境温度	: -40°C ~ +105°C
剥线长度	: 8-9mm

※ **尺寸**

间距	: 5.0mm (.197")	7.5mm (.295")
极数	: 2P~24P	2P~12P

※ **材质和电镀**

塑件	: PA66, UL94V-0
触点材料	: 磷青铜
簧片	: 不锈钢

APPROVAL

※ Electrical		
Standard	: UL	IEC
Rated voltage	: 300V	320V, 400V
Rated current	: 15A	20A
Wire range	: 22-14AWG	2.5mm ²
Withstanding voltage	: AC2500V/1Min	

※ **Mechanical**

Ambient temperature	: -40°C ~ +105°C
Strip length	: 8-9mm

※ **Dimensions**

Pitch	: 5.0mm (.197")	7.5mm (.295")
Poles	: 2P~24P	2P~12P

※ **Material**

Housing	: PA66, UL94V-0
Contact	: Phosphor bronze
Wire guard	: Stainless steel

※ **电气性能**

参考标准	: UL	IEC
额定电压	: 300V	320V, 400V
额定电流	: 15A	20A
导线线径	: 22-14AWG	2.5mm ²
耐电压	: AC2500V/1Min	

※ **机械性能**

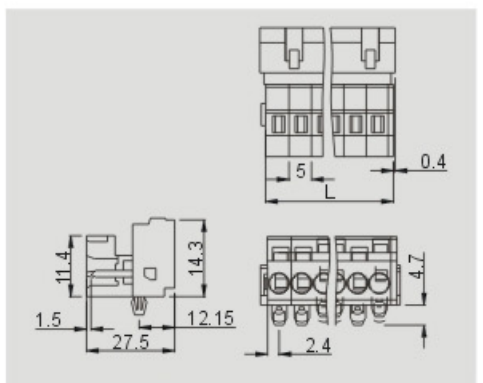
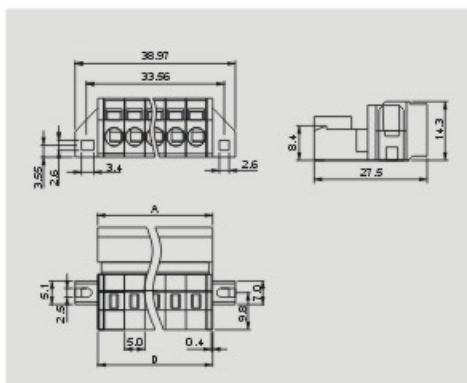
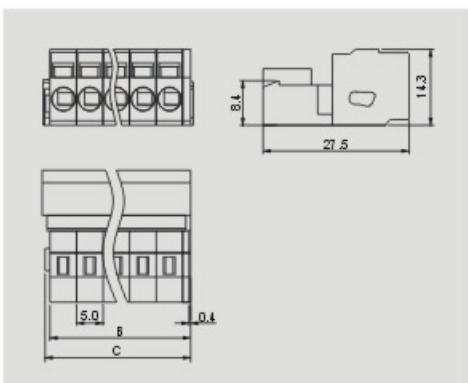
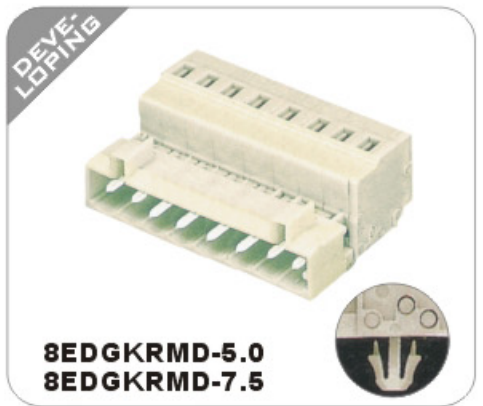
环境温度	: -40°C ~ +105°C
剥线长度	: 8-9mm

※ **尺寸**

间距	: 5.0mm (.197")	7.5mm (.295")
极数	: 2P~24P	2P~12P

※ **材质和电镀**

塑件	: PA66, UL94V-0
触点材料	: 磷青铜
簧片	: 不锈钢



Pitch: 5.0mm Poles: 2P~24P
Pitch: 7.5mm Poles: 2P~12P

Pitch: 5.0mm Poles: 2P~24P
Pitch: 7.5mm Poles: 2P~12P

Pitch: 5.0mm Poles: 2P~24P
Pitch: 7.5mm Poles: 2P~12P

APPROVAL :
 ※ **Electrical**
 Standard : UL IEC
 Rated voltage : 300V 320V, 400V
 Rated current : 15A 20A
 Wire range : 22-14AWG 2.5mm²
 Withstanding voltage : AC2500V/1Min
 ※ **Mechanical**
 Ambient temperature : -40°C ~ +105°C
 Strip length : 8-9mm
 ※ **Dimensions**
 Pitch : 5.0mm (.197") 7.5mm (.295")
 Poles : 2P~24P 2P~12P
 ※ **Material**
 Housing : PA66, UL94V-0
 Contact : Phosphor bronze
 Wire guard : Stainless steel
 Pin header : Copper, Tin plated

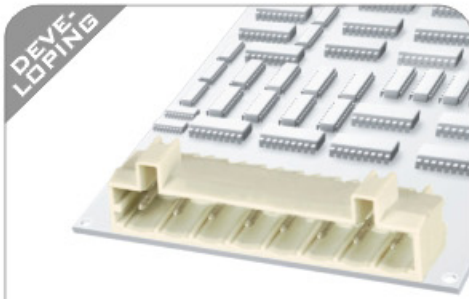
APPROVAL :
 ※ **Electrical**
 Standard : UL IEC
 Rated voltage : 300V 320V
 Rated current : 15A 20A
 Wire range : 22-14AWG 2.5mm²
 Withstanding voltage : AC2500V/1Min
 ※ **Mechanical**
 Ambient temperature : -40°C ~ +105°C
 Strip length : 8-9mm
 ※ **Dimensions**
 Pitch : 5.0mm (.197") 7.5mm (.295")
 Poles : 2P~24P 2P~12P
 ※ **Material**
 Housing : PA66, UL94V-0
 Contact : Phosphor bronze
 Wire guard : Stainless steel
 Pin header : Copper, Tin plated

APPROVAL :
 ※ **Electrical**
 Standard : UL IEC
 Rated voltage : 300V 320V
 Rated current : 15A 20A
 Wire range : 22-14AWG 2.5mm²
 Withstanding voltage : AC2500V/1Min
 ※ **Mechanical**
 Ambient temperature : -40°C ~ +105°C
 Strip length : 8-9mm
 ※ **Dimensions**
 Pitch : 5.0mm (.197") 7.5mm (.295")
 Poles : 2P~24P 2P~12P
 ※ **Material**
 Housing : PA66, UL94V-0
 Contact : Phosphor bronze
 Wire guard : Stainless steel
 Pin header : Copper, Tin plated

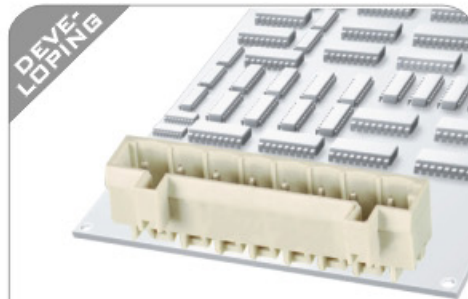
※ **电气性能**
 参考标准: UL IEC
 额定电压: 300V 320V, 400V
 额定电流: 15A 20A
 导线线径: 22-14AWG 2.5mm²
 耐电压: AC2500V/1Min
 ※ **机械性能**
 环境温度: -40°C ~ +105°C
 剥线长度: 8-9mm
 ※ **尺寸**
 间距: 5.0mm (.197") 7.5mm (.295")
 极数: 2P~24P 2P~12P
 ※ **材质和电镀**
 塑件: PA66, UL94V-0
 触点材料: 磷青铜
 簧片: 不锈钢
 焊针: 紫铜, 镀锡

※ **电气性能**
 参考标准: UL IEC
 额定电压: 300V 320V
 额定电流: 15A 20A
 导线线径: 22-14AWG 2.5mm²
 耐电压: AC2500V/1Min
 ※ **机械性能**
 环境温度: -40°C ~ +105°C
 剥线长度: 8-9mm
 ※ **尺寸**
 间距: 5.0mm (.197") 7.5mm (.295")
 极数: 2P~24P 2P~12P
 ※ **材质和电镀**
 塑件: PA66, UL94V-0
 触点材料: 磷青铜
 簧片: 不锈钢
 焊针: 紫铜, 镀锡

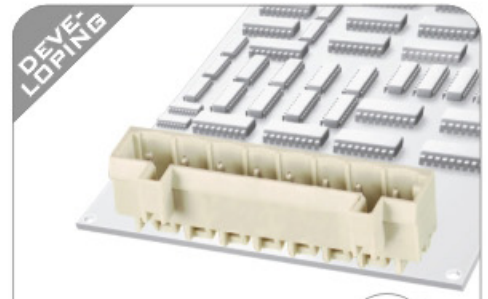
※ **电气性能**
 参考标准: UL IEC
 额定电压: 300V 320V
 额定电流: 15A 20A
 导线线径: 22-14AWG 2.5mm²
 耐电压: AC2500V/1Min
 ※ **机械性能**
 环境温度: -40°C ~ +105°C
 剥线长度: 8-9mm
 ※ **尺寸**
 间距: 5.0mm (.197") 7.5mm (.295")
 极数: 2P~24P 2P~12P
 ※ **材质和电镀**
 塑件: PA66, UL94V-0
 触点材料: 磷青铜
 簧片: 不锈钢
 焊针: 紫铜, 镀锡



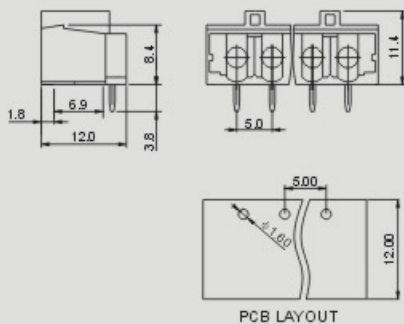
8EDGRCB-5.0
8EDGRCB-7.5



8EDGVCB-5.0
8EDGVCB-7.5



8EDGVCBP-5.0



Pitch: 5.0mm; Poles: 2P~24P
Pitch: 7.5mm; Poles: 2P~12P

APPROVAL

※ Electrical		
Standard	UL	IEC
Rated voltage	300V	320V,400V
Rated current	15A	20A
Withstanding voltage	AC2500V/1Min	

※ **Mechanical**

Ambient temperature: -40°C ~ +105°C

※ **Dimensions**

Pitch : 5.0mm(.197") 7.5mm(.295")
Poles : 2P~24P 2P~12P

※ **Material**

Housing : PA66,UL94V-0
Pin header : Brass,Tin plated

※ **电气性能**

参考标准: UL IEC
额定电压: 300V 320V,400V
额定电流: 15A 20A
耐电压: AC2500V/1Min

※ **机械性能**

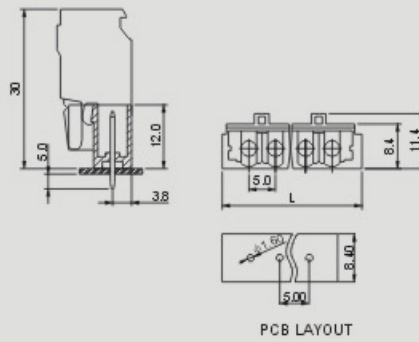
环境温度: -40°C ~ +105°C

※ **尺寸**

间距: 5.0mm(.197") 7.5mm(.295")
级数: 2P~24P 2P~12P

※ **材质和电镀**

塑件: PA66,UL94V-0
焊针: 黄铜,镀锡



Pitch: 5.0mm; Poles: 2P~24P
Pitch: 7.5mm; Poles: 2P~12P

APPROVAL

※ Electrical		
Standard	UL	IEC
Rated voltage	300V	320V,400V
Rated current	15A	20A
Withstanding voltage	AC2500V/1Min	

※ **Mechanical**

Ambient temperature: -40°C ~ +105°C

※ **Dimensions**

Pitch : 5.0mm(.197") 7.5mm(.295")
Poles : 2P~24P 2P~12P

※ **Material**

Housing : PA66,UL94V-0
Pin header : Brass,Tin plated

※ **电气性能**

参考标准: UL IEC
额定电压: 300V 320V,400V
额定电流: 15A 20A
耐电压: AC2500V/1Min

※ **机械性能**

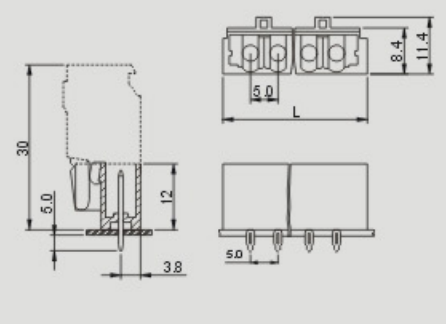
环境温度: -40°C ~ +105°C

※ **尺寸**

间距: 5.0mm(.197") 7.5mm(.295")
级数: 2P~24P 2P~12P

※ **材质和电镀**

塑件: PA66,UL94V-0
焊针: 黄铜,镀锡



Pitch: 5.0mm; Poles: 2P~24P

APPROVAL

※ Electrical		
Standard	UL	IEC
Rated voltage	300V	320V
Rated current	15A	20A
Withstanding voltage	AC2500V/1Min	

※ **Mechanical**

Ambient temperature: -40°C ~ +105°C

※ **Dimensions**

Pitch : 5.0mm(.197")
Poles : 2P~24P

※ **Material**

Housing : PA66,UL94V-0
Pin header : Brass,Tin plated

※ **电气性能**

参考标准: UL IEC
额定电压: 300V 320V
额定电流: 15A 20A
耐电压: AC2500V/1Min

※ **机械性能**

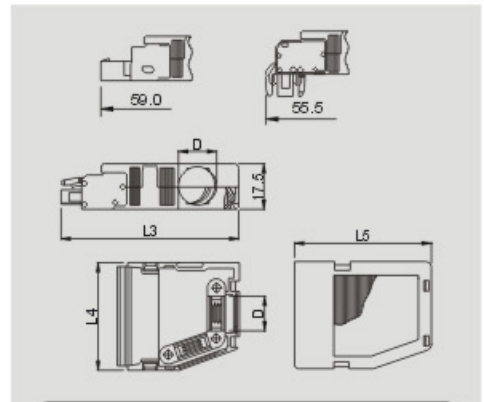
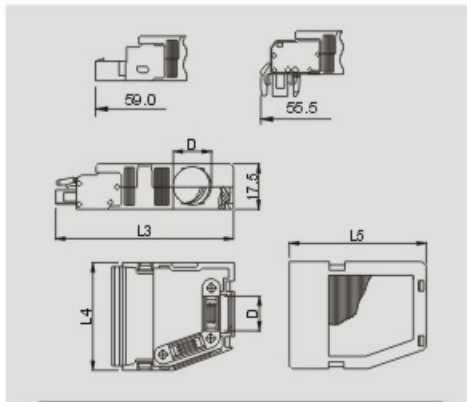
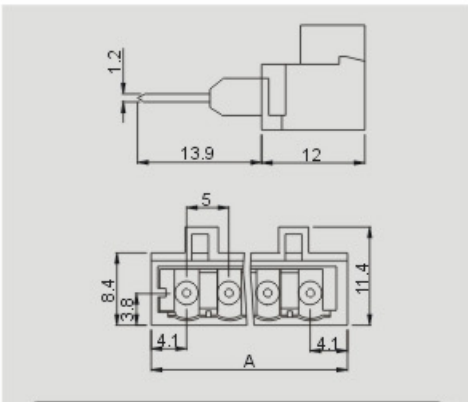
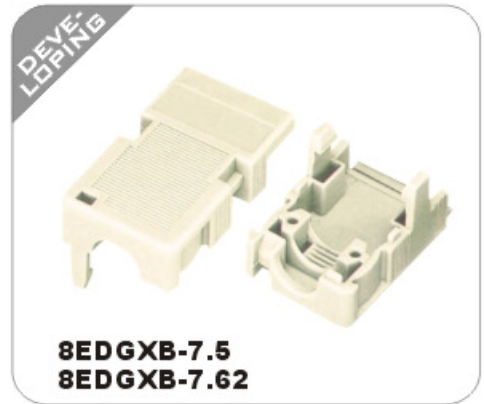
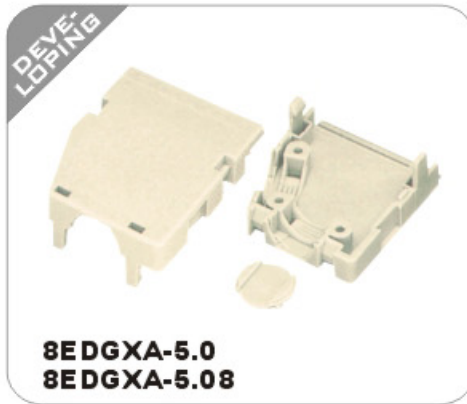
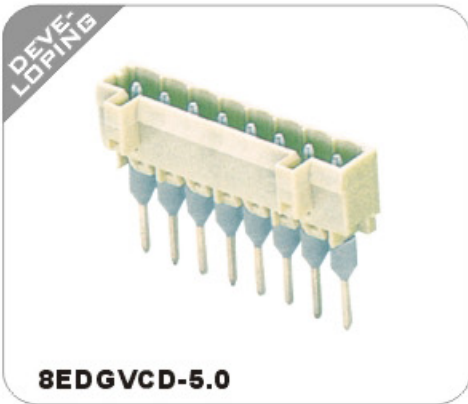
环境温度: -40°C ~ +105°C

※ **尺寸**

间距: 5.0mm(.197")
级数: 2P~24P

※ **材质和电镀**

塑件: PA66,UL94V-0
焊针: 黄铜,镀锡



Pitch: 5.0mm; Poles: 2P~24P

Pitch: 5.0,5.08mm; Poles: 2P~12P

Pitch: 7.5,7.62mm; Poles: 2P~7P

APPROVAL :
 ※ **Electrical**
 Standard : UL IEC
 Rated voltage : 300V 320V
 Rated current : 15A 20A
 Withstanding voltage : AC2500V/1Min
 ※ **Mechanical**
 Ambient temperature : -40°C ~ +105°C
 ※ **Dimensions**
 Pitch : 5.0mm (.197")
 Poles : 2P~24P
 ※ **Material**
 Housing : PA66, UL94V-0
 Pin header : Brass, Tin plated

※ 电气性能
 参考标准: UL IEC
 额定电压: 300V 320V
 额定电流: 15A 20A
 耐电压: AC2500V/1Min
 ※ 机械性能
 环境温度: -40°C ~ +105°C
 ※ 尺寸
 间距: 5.0mm (.197")
 极数: 2P~24P
 ※ 材质和电镀
 塑件: PA66, UL94V-0
 焊针: 黄铜, 镀锡

APPROVAL :
 ※ **Electrical**
 Standard : UL IEC
 Ambient temperature : -40°C ~ +105°C
 ※ **Dimensions**
 Pitch : 5.0mm (.197") 5.08mm (.200")
 Poles : 2P~12P
 ※ **Material**
 Housing : ABS, UL94V-0

※ 电气性能
 参考标准: UL IEC
 环境温度: -40°C ~ +105°C
 ※ 尺寸
 间距: 5.0mm (.197") 5.08mm (.200")
 极数: 2P~12P
 ※ 材质和电镀
 塑件: ABS, UL94V-0

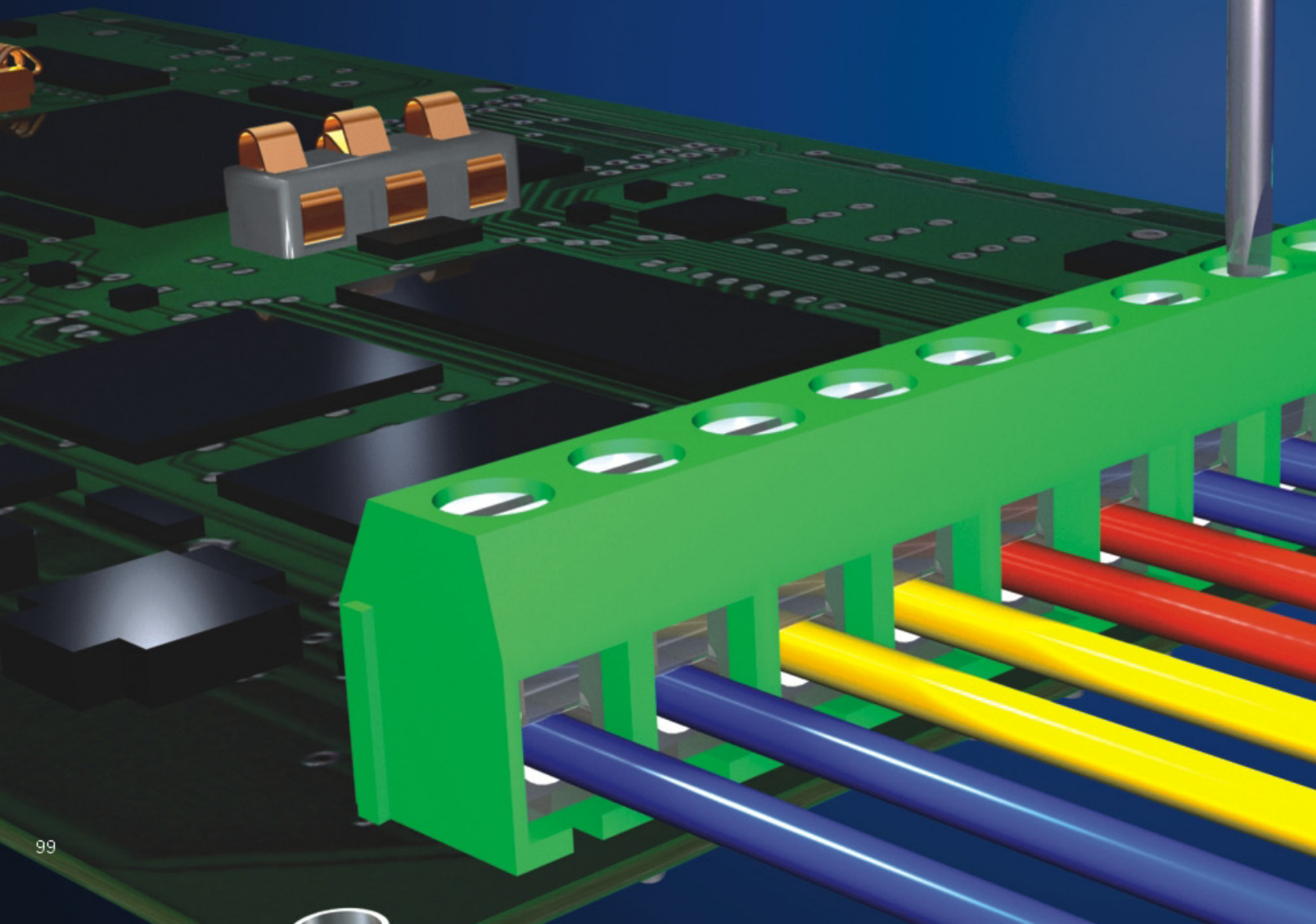
APPROVAL :
 ※ **Electrical**
 Standard : UL IEC
 Ambient temperature : -40°C ~ +105°C
 ※ **Dimensions**
 Pitch : 7.5mm (.295") 7.62mm (.300")
 Poles : 2P~7P
 ※ **Material**
 Housing : ABS, UL94V-0

※ 电气性能
 参考标准: UL IEC
 环境温度: -40°C ~ +105°C
 ※ 尺寸
 间距: 7.5mm (.295") 7.62mm (.300")
 极数: 2P~7P
 ※ 材质和电镀
 塑件: ABS, UL94V-0

PCB TERMINAL BLOCKS

Wire Protector Type

螺钉式PCB接线端子(弹片压线)



PCB universal screw terminal blocks(wire protector type), this typical feature of the screw connection system is characterized by the easy connection and extremely high contact strengths.

These connectors are available in the following pitches: 3.5mm, 3.81mm, 3.96mm, 5.0mm, 7.5mm.

The standard basic sizes as 2 poles and 3 poles are provided and with these two sizes, it can be combined for any needed pole number. However, it depends on actual situation, and for mass quantity, we can supply the one-piece housing product.

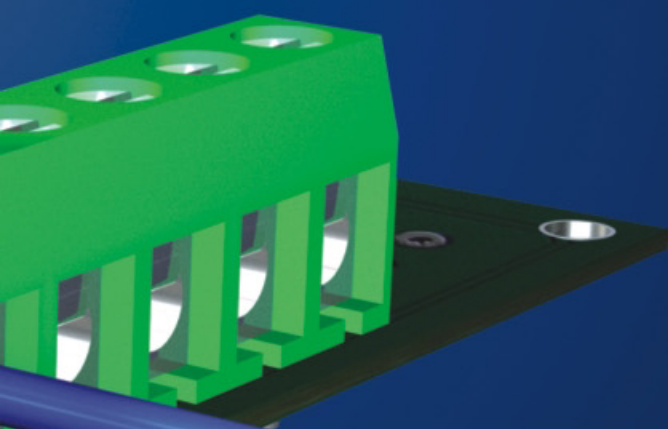
The product is designed in accordance with IEC60998, UL1059, UL486E, CSA C22.2 No.158 standards and get the approval of UL, VDE, CQC etc.

螺钉式PCB接线端子(弹片压线), 结构设计兼顾了接线方便, 螺钉连接牢固的特点。

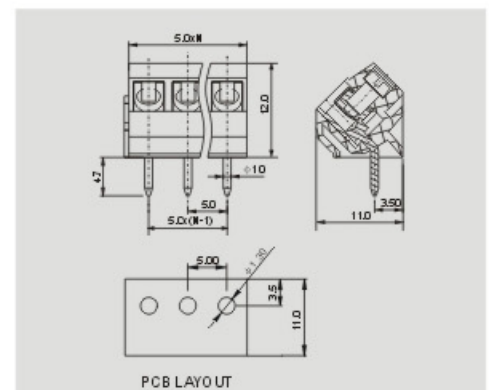
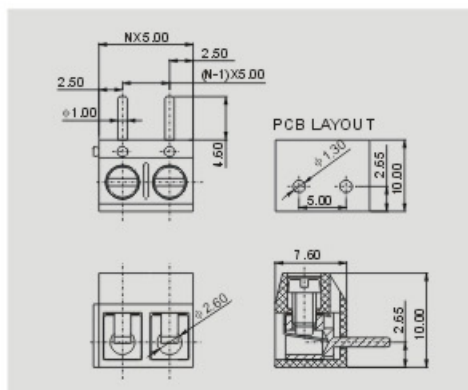
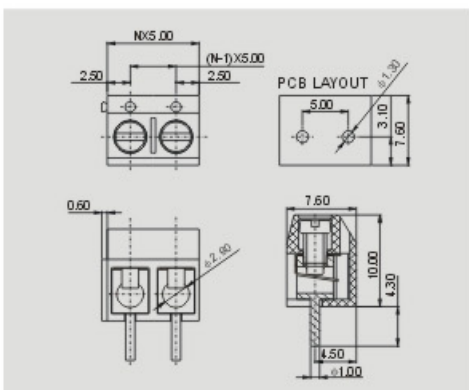
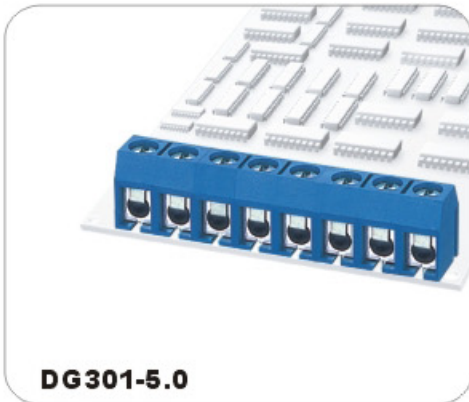
间距有: 3.5、3.81、3.96、5.0、7.0、7.5mm可供选择。

提供 2P、3P 的组合基数, 可组合任何需要的极数, 但数量多时, 可依实际的需要提供一体成型的产品。

产品设计符合IEC60998、UL1059、UL486E、CSA C22.2 No.158等国际标准, 并通过 UL、VDE、CQC等认证。





www.degson.com





Pitch: 5.0mm; Poles: 2P,3P~24P

Pitch: 5.0mm; Poles: 2P,3P~24P

Pitch: 5.0mm; Poles: 2P,3P~24P

APPROVAL :  
※Electrical
 Standard : UL IEC
 Rated voltage : 300V 250V
 Rated current : 15A 17.5A
 Wire range : 22-14AWG 1.5mm²
 Withstanding voltage : AC2000V/1Min

APPROVAL :  
※Electrical
 Standard : UL IEC
 Rated voltage : 300V 250V
 Rated current : 15A 17.5A
 Wire range : 22-14AWG 1.5mm²
 Withstanding voltage : AC2000V/1Min

APPROVAL :
※Electrical
 Standard : UL IEC
 Rated voltage : 300V 250V
 Rated current : 15A 17.5A
 Wire range : 22-14AWG 1.5mm²
 Withstanding voltage : AC2000V/1Min

※Mechanical
 Torque : 0.4Nm(3.5Lb-In.)
 Ambient temperature : -30°C~+120°C
 Strip length : 5-6mm

※Mechanical
 Torque : 0.4Nm(3.5Lb-In.)
 Ambient temperature : -30°C~+120°C
 Strip length : 5-6mm

※Mechanical
 Torque : 0.4Nm(3.5Lb-In.)
 Ambient temperature : -40°C~+105°C
 Strip length : 5-6mm

※Dimensions
 Pitch : 5.0mm(.197")
 Poles : 2P,3P~24P

※Dimensions
 Pitch : 5.0mm(.197")
 Poles : 2P,3P~24P

※Dimensions
 Pitch : 5.0mm(.197")
 Poles : 2P,3P~24P

※Material
 Housing : PBT,UL94V-0
 Screws : M2.5,steel,Cr⁺Zn plated
 Pin header : Brass,Tin plated
 Wire guard : Stainless steel

※Material
 Housing : PBT,UL94V-0
 Screws : M2.5,steel,Cr⁺Zn plated
 Pin header : Brass,Tin plated
 Wire guard : Stainless steel

※Material
 Housing : PA66,UL94V-0
 Screws : M2.5,steel,Cr⁺Zn plated
 Pin header : Brass,Tin plated
 Wire guard : Stainless steel

※电气性能
 参考标准: UL IEC
 额定电压: 300V 250V
 额定电流: 15A 17.5A
 导线线径: 22-14AWG 1.5mm²
 耐电压: AC2000V/1Min

※电气性能
 参考标准: UL IEC
 额定电压: 300V 250V
 额定电流: 15A 17.5A
 导线线径: 22-14AWG 1.5mm²
 耐电压: AC2000V/1Min

※电气性能
 参考标准: UL IEC
 额定电压: 300V 250V
 额定电流: 15A 17.5A
 导线线径: 22-14AWG 1.5mm²
 耐电压: AC2000V/1Min

※机械性能
 扭力矩: 0.4Nm(3.5Lb-In.)
 环境温度: -30°C~+120°C
 剥线长度: 5-6mm

※机械性能
 扭力矩: 0.4Nm(3.5Lb-In.)
 环境温度: -30°C~+120°C
 剥线长度: 5-6mm

※机械性能
 扭力矩: 0.4Nm(3.5Lb-In.)
 环境温度: -40°C~+105°C
 剥线长度: 5-6mm

※尺寸
 间距: 5.0mm(.197")
 极数: 2P,3P~24P

※尺寸
 间距: 5.0mm(.197")
 极数: 2P,3P~24P

※尺寸
 间距: 5.0mm(.197")
 极数: 2P,3P~24P

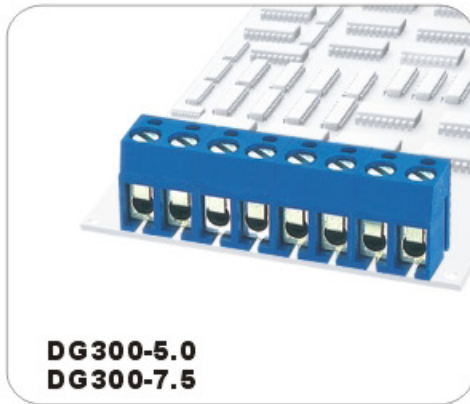
※材质和电镀
 塑件: PBT,UL94V-0
 螺丝: M2.5,钢,镀Cr⁺钝化彩锌
 焊针: 黄铜,镀锡
 簧片: 不锈钢

※材质和电镀
 塑件: PBT,UL94V-0
 螺丝: M2.5,钢,镀Cr⁺钝化彩锌
 焊针: 黄铜,镀锡
 簧片: 不锈钢

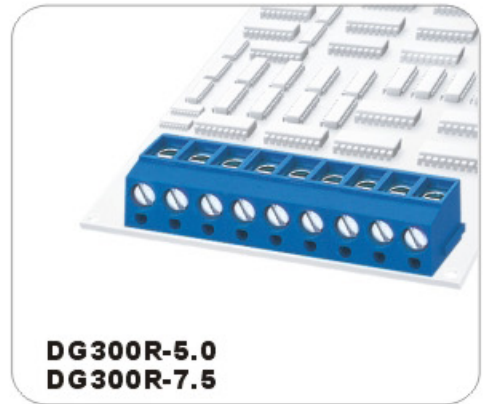
※材质和电镀
 塑件: PA66,UL94V-0
 螺丝: M2.5,钢,镀Cr⁺钝化彩锌
 焊针: 黄铜,镀锡
 簧片: 不锈钢



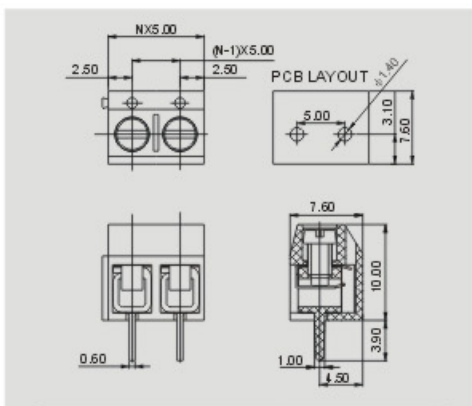
DG306-5.0





**DG300-5.0
DG300-7.5**



**DG300R-5.0
DG300R-7.5**



Pitch: 5.0mm; Poles: 2P,3P~24P

APPROVAL :  
※Electrical
 Standard : UL IEC
 Rated voltage : 300V 250V
 Rated current : 10A 15A
 Wire range : 22-14AWG 1.5mm²
 Withstanding voltage : AC2000V/1Min

※Mechanical
 Torque : 0.4Nm(3.5Lb-In.)
 Ambient temperature : -30°C~+120°C
 Strip length : 5-6mm

※Dimensions
 Pitch : 5.0mm(.197")
 Poles : 2P,3P~24P

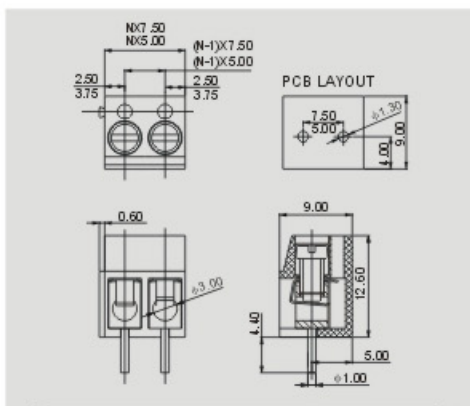
※Material
 Housing : PBT,UL94V-0
 Screws : M2.5,steel,Cr⁺Zn plated
 Pin header : Brass,Tin plated
 Wire guard : Stainless steel

※电气性能
 参考标准: UL IEC
 额定电压: 300V 250V
 额定电流: 10A 15A
 导线线径: 22-14AWG 1.5mm²
 耐电压: AC2000V/1Min



※机械性能
 扭力矩: 0.4Nm(3.5Lb-In.)
 环境温度: -30°C~+120°C
 剥线长度: 5-6mm

※尺寸
 间距: 5.0mm(.197")
 极数: 2P,3P~24P

※材质和电镀
 塑件: PBT,UL94V-0
 螺丝: M2.5,钢,镀Cr⁺钝化彩锌
 焊针: 黄铜,镀锡
 簧片: 不锈钢



Pitch: 5.0,7.5mm; Poles: 2P,3P~24P

APPROVAL :  
※Electrical
 Standard : UL IEC
 Rated voltage : 300V 250V
 Rated current : 10A 24A
 Wire range : 22-14AWG 2.5mm²
 Withstanding voltage : AC2000V/1Min

※Mechanical
 Torque : 0.5Nm(4.4Lb-In.)
 Ambient temperature : -30°C~+120°C
 Strip length : 5-6mm

※Dimensions
 Pitch : 5.0mm(.197")7.5mm(.295")
 Poles : 2P,3P~24P

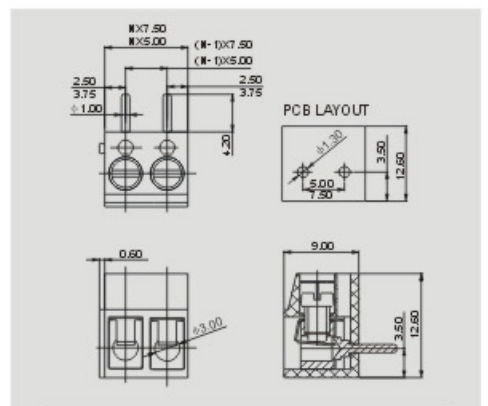
※Material
 Housing : PBT,UL94V-0
 Screws : M3,steel,Cr⁺Zn plated
 Pin header : Brass,Tin plated
 Wire guard : Stainless steel

※电气性能
 参考标准: UL IEC
 额定电压: 300V 250V
 额定电流: 10A 24A
 导线线径: 22-14AWG 2.5mm²
 耐电压: AC2000V/1Min



※机械性能
 扭力矩: 0.5Nm(4.4Lb-In.)
 环境温度: -30°C~+120°C
 剥线长度: 5-6mm

※尺寸
 间距: 5.0mm(.197")7.5mm(.295")
 极数: 2P,3P~24P

※材质和电镀
 塑件: PBT,UL94V-0
 螺丝: M3,钢,镀Cr⁺钝化彩锌
 焊针: 黄铜,镀锡
 簧片: 不锈钢



Pitch: 5.0,7.5mm; Poles: 2P,3P~24P

APPROVAL :  
※Electrical
 Standard : UL IEC
 Rated voltage : 300V 250V
 Rated current : 10A 24A
 Wire range : 22-14AWG 2.5mm²
 Withstanding voltage : AC2000V/1Min

※Mechanical
 Torque : 0.5Nm(4.4Lb-In.)
 Ambient temperature : -30°C~+120°C
 Strip length : 5-6mm

※Dimensions
 Pitch : 5.0mm(.197")7.5mm(.295")
 Poles : 2P,3P~24P

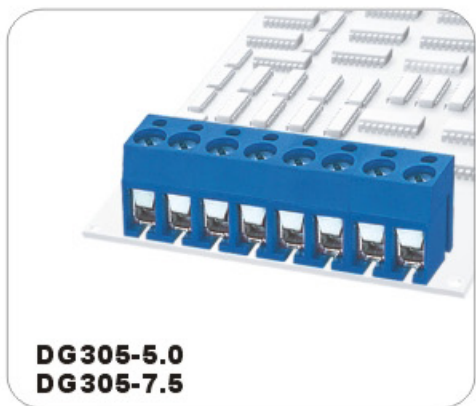
※Material
 Housing : PBT,UL94V-0
 Screws : M3,steel,Cr⁺Zn plated
 Pin header : Brass,Tin plated
 Wire guard : Stainless steel

※电气性能
 参考标准: UL IEC
 额定电压: 300V 250V
 额定电流: 10A 24A
 导线线径: 22-14AWG 2.5mm²
 耐电压: AC2000V/1Min

※机械性能
 扭力矩: 0.5Nm(4.4Lb-In.)
 环境温度: -30°C~+120°C
 剥线长度: 5-6mm

※尺寸
 间距: 5.0mm(.197")7.5mm(.295")
 极数: 2P,3P~24P

※材质和电镀
 塑件: PBT,UL94V-0
 螺丝: M3,钢,镀Cr⁺钝化彩锌
 焊针: 黄铜,镀锡
 簧片: 不锈钢



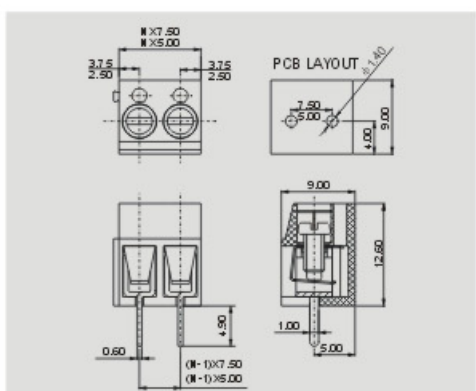
DG305-5.0
DG305-7.5





DG360-7.5



DG365-7.5



Pitch: 5.0,7.5mm; Poles: 2P,3P~24P

APPROVAL :  
※ Electrical
 Standard : UL IEC
 Rated voltage : 300V 450V
 Rated current : 15A 20A
 Wire range : 22-14AWG 2.5mm²
 Withstanding voltage : AC2500V/1Min

※ Mechanical
 Torque : 0.4Nm(3.5Lb-In.)
 Ambient temperature : -30°C~+120°C
 Strip length : 5-6mm

※ Dimensions
 Pitch : 5.0mm(.197")7.5mm(.295")
 Poles : 2P,3P~24P

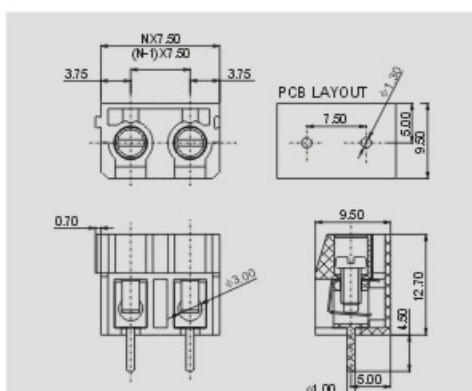
※ Material
 Housing : PBT,UL94V-0
 Screws : M2.5,steel,Cr³⁺Znplated
 Pin header : Brass,Tin plated
 Wire guard : Stainless steel

※ 电气性能
 参考标准: UL IEC
 额定电压: 300V 450V
 额定电流: 15A 20A
 导线线径: 22-14AWG 2.5mm²
 耐电压: AC2500V/1Min



※ 机械性能
 扭力矩: 0.4Nm(3.5Lb-In.)
 环境温度: -30°C~+120°C
 剥线长度: 5-6mm

※ 尺寸
 间距: 5.0mm(.197")7.5mm(.295")
 极数: 2P,3P~24P

※ 材质和电镀
 塑件: PBT,UL94V-0
 螺丝: M2.5,钢,镀Cr³⁺钝化彩锌
 焊针: 黄铜,镀锡
 簧片: 不锈钢



Pitch: 7.5mm; Poles: 2P,3P~24P

APPROVAL :  
※ Electrical
 Standard : UL IEC
 Rated voltage : 300V 450V
 Rated current : 15A 24A
 Wire range : 22-14AWG 2.5mm²
 Withstanding voltage : AC2500V/1Min

※ Mechanical
 Torque : 0.5Nm(4.4Lb-In.)
 Ambient temperature : -30°C~+120°C
 Strip length : 5-6mm

※ Dimensions
 Pitch : 7.5mm(.295")
 Poles : 2P,3P~24P

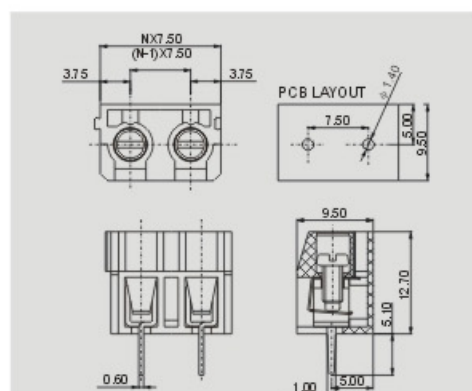
※ Material
 Housing : PBT,UL94V-0
 Screws : M3,steel,Cr³⁺Znplated
 Pin header : Brass,Tin plated
 Wire guard : Stainless steel

※ 电气性能
 参考标准: UL IEC
 额定电压: 300V 450V
 额定电流: 15A 24A
 导线线径: 22-14AWG 2.5mm²
 耐电压: AC2500V/1Min



※ 机械性能
 扭力矩: 0.5Nm(4.4Lb-In.)
 环境温度: -30°C~+120°C
 剥线长度: 5-6mm

※ 尺寸
 间距: 7.5mm(.295")
 极数: 2P,3P~24P

※ 材质和电镀
 塑件: PBT,UL94V-0
 螺丝: M3,钢,镀Cr³⁺钝化彩锌
 焊针: 黄铜,镀锡
 簧片: 不锈钢



Pitch: 7.5mm; Poles: 2P,3P~24P

APPROVAL :  
※ Electrical
 Standard : UL IEC
 Rated voltage : 300V 450V
 Rated current : 15A 20A
 Wire range : 22-14AWG 2.5mm²
 Withstanding voltage : AC2500V/1Min

※ Mechanical
 Torque : 0.4Nm(3.5Lb-In.)
 Ambient temperature : -30°C~+120°C
 Strip length : 5-6mm

※ Dimensions
 Pitch : 7.5mm(.295")
 Poles : 2P,3P~24P

※ Material
 Housing : PBT,UL94V-0
 Screws : M2.5,steel,Cr³⁺Znplated
 Pin header : Brass,Tin plated
 Wire guard : Stainless steel

※ 电气性能
 参考标准: UL IEC
 额定电压: 300V 450V
 额定电流: 15A 20A
 导线线径: 22-14AWG 2.5mm²
 耐电压: AC2500V/1Min

※ 机械性能
 扭力矩: 0.4Nm(3.5Lb-In.)
 环境温度: -30°C~+120°C
 剥线长度: 5-6mm

※ 尺寸
 间距: 7.5mm(.295")
 极数: 2P,3P~24P

※ 材质和电镀
 塑件: PBT,UL94V-0
 螺丝: M2.5,钢,镀Cr³⁺钝化彩锌
 焊针: 黄铜,镀锡
 簧片: 不锈钢



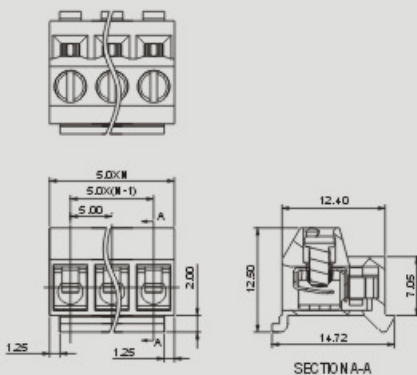
DG331-5.0




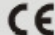
DG332K-5.0



DG332W-5.0



Pitch: 5.0mm; Poles: 2P~20P

APPROVAL :  
 ※ **Electrical**
 Standard : UL IEC
 Rated voltage : 300V 250V
 Rated current : 10A 12A
 Wire range : 28-14AWG 2.5mm²
 Withstanding voltage : AC2000V/1Min

※ **Mechanical**
 Torque : 0.4Nm (3.5Lb-In.)
 Ambient temperature : -40°C ~ +105°C
 Strip length : 5-6mm

※ **Dimensions**
 Pitch : 5.0mm (.197")
 Poles : 2P~20P

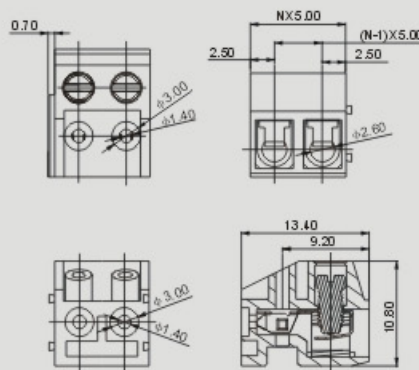
※ **Material**
 Housing : PA66, UL94V-0
 Screws : M2.5, steel, Cr⁺Zn plated
 Contact : Phosphor bronze
 Cage: Brass : Ni plated

※ **电气性能**
 参考标准: UL IEC
 额定电压: 300V 250V
 额定电流: 10A 12A
 导线线径: 28-14AWG 2.5mm²
 耐电压: AC2000V/1Min



※ **机械性能**
 扭力矩: 0.4Nm (3.5Lb-In.)
 环境温度: -40°C ~ +105°C
 剥线长度: 5-6mm

※ **尺寸**
 间距: 5.0mm (.197")
 极数: 2P~20P

※ **材质和电镀**
 塑件: PA66, UL94V-0
 螺丝: M2.5, 钢, 镀Cr⁺钝化彩锌
 触点材料: 磷青铜
 方盒: 黄铜, 镀镍



Pitch: 5.0mm; Poles: 2P,3P~24P

APPROVAL :  
 ※ **Electrical**
 Standard : UL IEC
 Rated voltage : 300V 250V
 Rated current : 10A 12A
 Wire range : 28-16AWG 1.5mm²
 Withstanding voltage : AC2000V/1Min

※ **Mechanical**
 Torque : 0.4Nm (3.5Lb-In.)
 Ambient temperature : -30°C ~ +120°C
 Strip length : 5-6mm

※ **Dimensions**
 Pitch : 5.0mm (.197")
 Poles : 2P,3P~24P

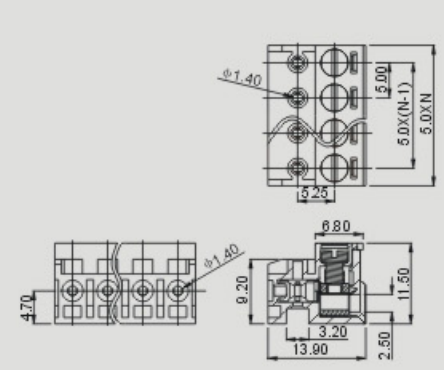
※ **Material**
 Housing : PBT, UL94V-0
 Screws : M2.5, steel, Cr⁺Zn plated
 Contact : Phosphor bronze
 Cage: Brass : Ni plated

※ **电气性能**
 参考标准: UL IEC
 额定电压: 300V 250V
 额定电流: 10A 12A
 导线线径: 28-16AWG 1.5mm²
 耐电压: AC2000V/1Min



※ **机械性能**
 扭力矩: 0.4Nm (3.5Lb-In.)
 环境温度: -30°C ~ +120°C
 剥线长度: 5-6mm

※ **尺寸**
 间距: 5.0mm (.197")
 极数: 2P,3P~24P

※ **材质和电镀**
 塑件: PBT, UL94V-0
 螺丝: M2.5, 钢, 镀Cr⁺钝化彩锌
 触点材料: 磷青铜
 方盒: 黄铜, 镀镍



Pitch: 5.0mm; Poles: 2P~12P

APPROVAL :  
 ※ **Electrical**
 Standard : UL IEC
 Rated voltage : 300V 250V
 Rated current : 10A 12A
 Wire range : 30-16AWG 1.5mm²
 Withstanding voltage : AC2000V/1Min

※ **Mechanical**
 Torque : 0.4Nm (3.5Lb-In.)
 Ambient temperature : -40°C ~ +105°C
 Strip length : 5-6mm

※ **Dimensions**
 Pitch : 5.0mm (.197")
 Poles : 2P~12P

※ **Material**
 Housing : PA66, UL94V-0
 Screws : M2.5, steel, Cr⁺Zn plated
 Contact : Phosphor bronze
 Cage : Brass, Ni plated

※ **电气性能**
 参考标准: UL IEC
 额定电压: 300V 250V
 额定电流: 10A 12A
 导线线径: 30-16AWG 1.5mm²
 耐电压: AC2000V/1Min

※ **机械性能**
 扭力矩: 0.4Nm (3.5Lb-In.)
 环境温度: -40°C ~ +105°C
 剥线长度: 5-6mm

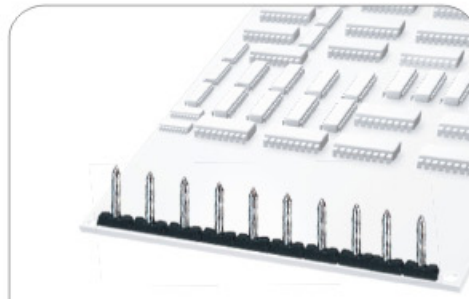
※ **尺寸**
 间距: 5.0mm (.197")
 极数: 2P~12P

※ **材质和电镀**
 塑件: PA66, UL94V-0
 螺丝: M2.5, 钢, 镀Cr⁺钝化彩锌
 触点材料: 磷青铜
 方盒: 黄铜, 镀镍

DEVE-
LOPING



DG334K-5.0

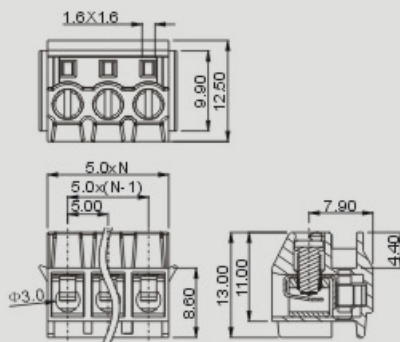


DG332J-5.0

DEVE-
LOPING



DG332J-THT-5.0



Pitch: 5.0mm; Poles: 2P~20P

APPROVAL

※ Electrical		
Standard	UL	IEC
Rated voltage	300V	250V
Rated current	10A	12A
Wire range	28-14AWG 2.5mm ²	
With standing voltage	AC2000V/1Min	

※ **Mechanical**

Torque	0.4 Nm (3.5Lb-In.)	
Ambient temperature	-40°C ~ +105°C	
Strip length	5-6 mm	

※ **Dimensions**

Pitch	5.0mm (.197")	
Poles	2P~20P	

※ **Material**

Housing	PA66, UL94 V-0	
Screws	M2.5, steel, Cr ³⁺ Zn plated	
Contact	Phosphor bronze	
Cage:	Brass, Ni plated	

※ **电气性能**

参考标准:	UL	IEC
额定电压:	300V	250V
额定电流:	10A	12A
导线线径:	28-14AWG 2.5mm ²	
耐电压:	AC2000V/1Min	

※ **机械性能**

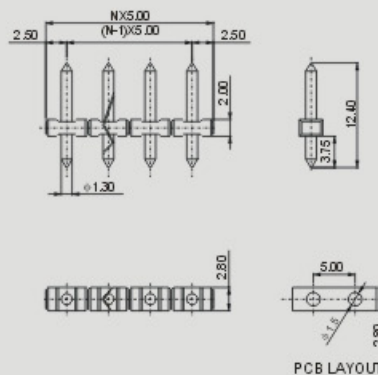
扭力矩:	0.4Nm (3.5Lb-In.)	
环境温度:	-40°C ~ +105°C	
剥线长度:	5-6mm	

※ **尺寸**

间距:	5.0mm (.197")	
极数:	2P~20P	

※ **材质和电镀**

塑件:	PA66, UL94V-0	
螺丝:	M2.5, 钢, 镀Cr ³⁺ 钝化彩锌	
触点材料:	磷青铜	
方盒:	黄铜, 镀镍	



Pitch: 5.0mm; Poles: 2P,3P~24P

APPROVAL

※ Electrical		
Standard	UL	IEC
Rated voltage	300V	250V
Rated current	10A	12A
With standing voltage	AC2000V/1Min	

※ **Mechanical**

Ambient temperature	-40°C ~ +105°C	
---------------------	----------------	--

※ **Dimensions**

Pitch	5.0mm (.197")	
Poles	2P,3P~24P	

※ **Material**

Housing	PA66+10%GF, UL94 V-0	
Pin header	Brass, Tin plated	

※ **电气性能**

参考标准:	UL	IEC
额定电压:	300V	250V
额定电流:	10A	12A
耐电压:	AC2000V/1Min	

※ **机械性能**

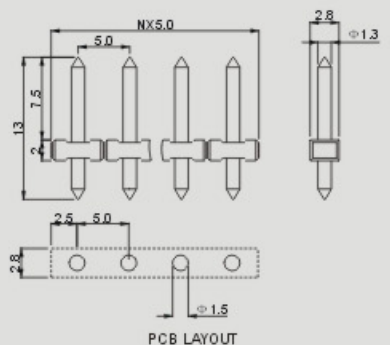
环境温度:	-40°C ~ +105°C	
-------	----------------	--

※ **尺寸**

间距:	5.0mm (.197")	
极数:	2P,3P~24P	

※ **材质和电镀**

塑件:	PA66+10%GF, UL94 V-0	
焊针:	黄铜, 镀锡	



Pitch: 5.0mm; Poles: 2P,3P~24P

APPROVAL

※ Electrical		
Standard	UL	IEC
Rated voltage	300V	250V
Rated current	10A	12A
With standing voltage	AC2000V/1Min	

※ **Mechanical**

Ambient temperature	-40°C ~ +14.0°C	
---------------------	-----------------	--

※ **Dimensions**

Pitch	5.0mm (.197")	
Poles	2P,3P~24P	

※ **Material**

Housing	PA46, UL94V-0	
Pin header	Brass, Tin plated	

※ **电气性能**

参考标准:	UL	IEC
额定电压:	300V	250V
额定电流:	10A	12A
耐电压:	AC2000V/1Min	

※ **机械性能**

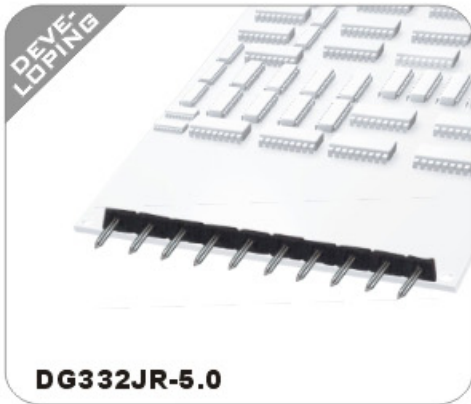
环境温度:	-40°C ~ +14.0°C	
-------	-----------------	--

※ **尺寸**

间距:	5.0mm (.197")	
极数:	2P,3P~24P	

※ **材质和电镀**

塑件:	PA46, UL94V-0	
焊针:	黄铜, 镀锡	



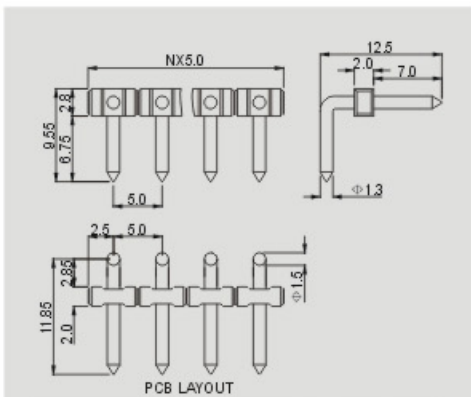
DG332JR-5.0




DG333K-3.5



DG333J-3.5



Pitch: 5.0mm; Poles: 2P,3P~24P

APPROVAL : 
 ※ **Electrical**
 Standard : UL IEC
 Rated voltage : 300V 250V
 Rated current : 10A 12A
 Withstanding voltage : AC2000V/1Min

※ **Mechanical**
 Ambient temperature : -40°C ~ +105°C

※ **Dimensions**
 Pitch : 5.0mm (.197")
 Poles : 2P,3P~24P

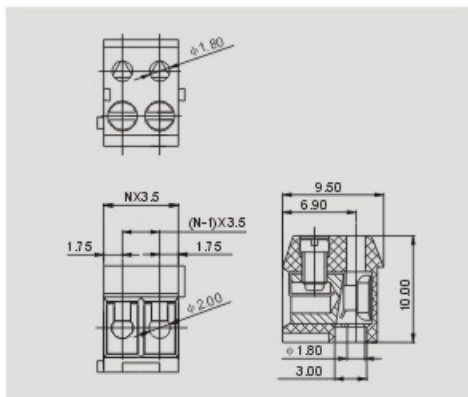
※ **Material**
 Housing : PA66+10%GF, UL94V-0
 Pin header : Brass, Tin plated

※ **电气性能**
 参考标准: UL IEC
 额定电压: 300V 250V
 额定电流: 10A 12A
 耐电压: AC2000V/1Min

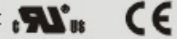
※ **机械性能**
 环境温度: -40°C ~ +105°C

※ **尺寸**
 间距: 5.0mm (.197")
 极数: 2P,3P~24P

※ **材质和电镀**
 塑件: PA66+10%GF, UL94V-0
 焊针: 黄铜, 镀锡



Pitch: 3.5mm; Poles: 2P,3P~24P

APPROVAL : 
 ※ **Electrical**
 Standard : UL IEC
 Rated voltage : 300V 250V
 Rated current : 8A 8A
 Wire range : 28-16AWG 1.0mm²
 Withstanding voltage : AC2000V/1Min

※ **Mechanical**
 Torque : 0.2Nm (1.7Lb-In.)
 Ambient temperature : -30°C ~ +120°C
 Strip length : 5-6mm

※ **Dimensions**
 Pitch : 3.5mm (.138")
 Poles : 2P,3P~24P

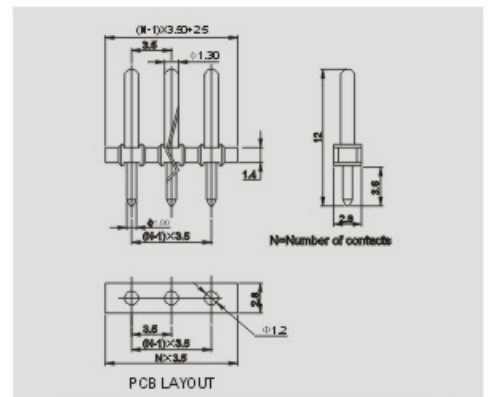
※ **Material**
 Housing : PBT, UL94V-0
 Screws : M2, steel, Cr³⁺Zn plated
 Contact : Phosphor bronze
 Cage : Brass, Ni plated

※ **电气性能**
 参考标准: UL IEC
 额定电压: 300V 250V
 额定电流: 8A 8A
 导线线径: 28-16AWG 1.0mm²
 耐电压: AC2000V/1Min


※ **机械性能**
 扭力矩: 0.2Nm (1.7Lb-In.)
 环境温度: -30°C ~ +120°C
 剥线长度: 5-6mm

※ **尺寸**
 间距: 3.5mm (.138")
 极数: 2P,3P~24P

※ **材质和电镀**
 塑件: PBT, UL94V-0
 螺丝: M2, 钢, 镀Cr³⁺钝化彩锌
 触点材料: 磷青铜
 方盒: 黄铜, 镀镍



Pitch: 3.5mm; Poles: 2P,3P~24P

APPROVAL : 
 ※ **Electrical**
 Standard : UL IEC
 Rated voltage : 300V 250V
 Rated current : 8A 8A
 Withstanding voltage : AC2000V/1Min

※ **Mechanical**
 Ambient temperature : -30°C ~ +120°C

※ **Dimensions**
 Pitch : 3.5mm (.138")
 Poles : 2P,3P~24P

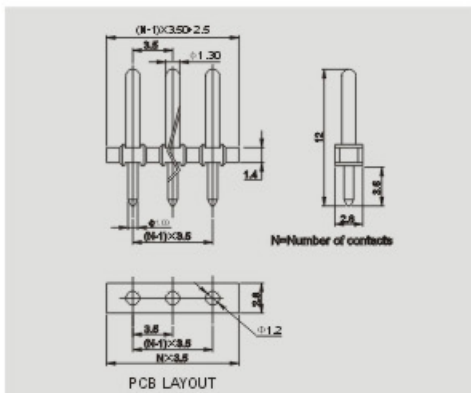
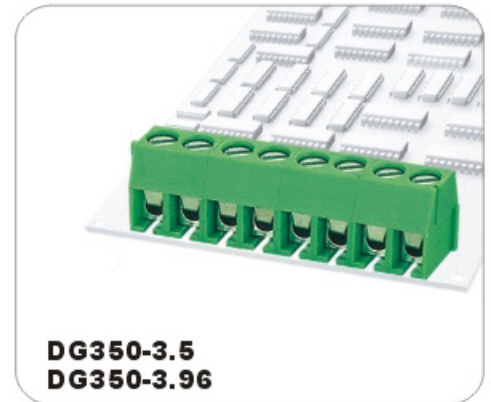
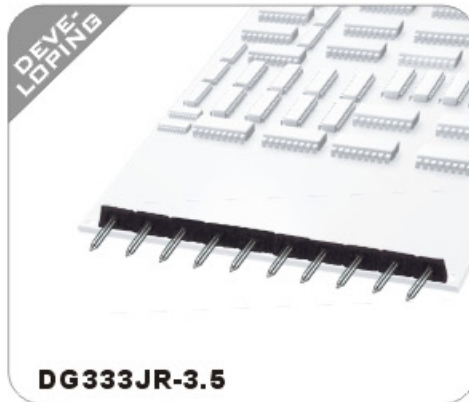
※ **Material**
 Housing : PA66+25%GF, UL94V-0
 Pin header : Brass, Tin plated

※ **电气性能**
 参考标准: UL IEC
 额定电压: 300V 250V
 额定电流: 8A 8A
 耐电压: AC2000V/1Min

※ **机械性能**
 环境温度: -30°C ~ +120°C

※ **尺寸**
 间距: 3.5mm (.138")
 极数: 2P,3P~24P

※ **材质和电镀**
 塑件: PA66+25%GF, UL94V-0
 焊针: 黄铜, 镀锡



Pitch: 3.5mm; Poles: 2P,3P~24P

APPROVAL :
※Electrical
 Standard : UL IEC
 Rated voltage : 300V 250V
 Rated current : 8A 8A
 Withstanding voltage : AC2000V/1Min

※Mechanical
 Ambient temperature : -40°C ~ +140°C

※Dimensions
 Pitch : 3.5mm(.138")
 Poles : 2P,3P~24P

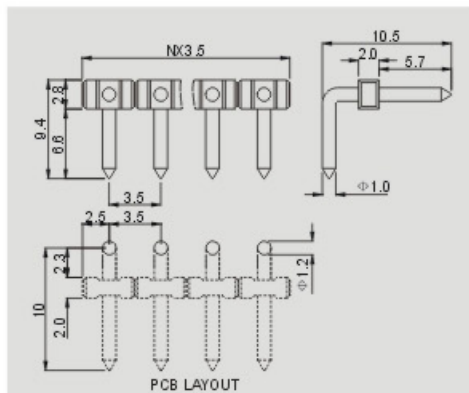
※Material
 Housing : PA46,UL94V-0
 Pin header : Brass,Tin plated

※电气性能
 参考标准: UL IEC
 额定电压: 300V 250V
 额定电流: 8A 8A
 耐电压: AC2000V/1Min

※机械性能
 环境温度: -40°C ~ +140°C

※尺寸
 间距: 3.5mm(.138")
 极数: 2P,3P~24P

※材质和电镀
 塑件: PA46,UL94V-0
 焊针: 黄铜,镀锡



Pitch: 3.5mm; Poles: 2P,3P~24P

APPROVAL :
※Electrical
 Standard : UL IEC
 Rated voltage : 300V 250V
 Rated current : 8A 8A
 Withstanding voltage : AC2000V/1Min

※Mechanical
 Ambient temperature : -30°C ~ +120°C

※Dimensions
 Pitch : 3.5mm(.138")
 Poles : 2P,3P~24P

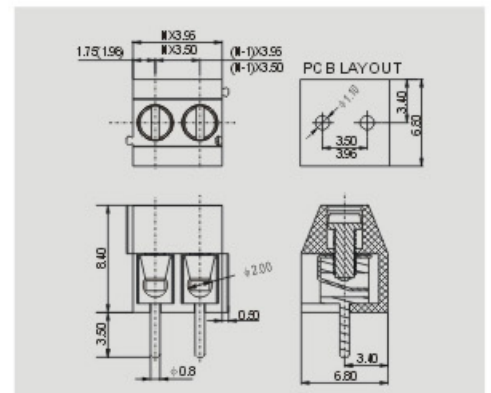
※Material
 Housing : PA66+25%GF, UL94V-0
 Pin header : Brass,Tin plated

※电气性能
 参考标准: UL IEC
 额定电压: 300V 250V
 额定电流: 8A 8A
 耐电压: AC2000V/1Min



※机械性能
 环境温度: -30°C ~ +120°C

※尺寸
 间距: 3.5mm(.138")
 极数: 2P,3P~24P

※材质和电镀
 塑件: PA66+25%GF,UL94V-0
 焊针: 黄铜,镀锡



Pitch: 3.5,3.96mm; Poles: 2P,3P~24P

APPROVAL :  
※Electrical
 Standard : UL IEC
 Rated voltage : 300V 130V
 Rated current : 7A 10A
 Wire range : 24-18AWG 1.0mm²
 Withstanding voltage : AC1250V/1Min

※Mechanical
 Torque : 0.2Nm(1.7Lb-In.)
 Ambient temperature : -40°C ~ +105°C
 Strip length : 5-6mm

※Dimensions
 Pitch : 3.5mm(.138")3.96mm(.156")
 Poles : 2P,3P~24P

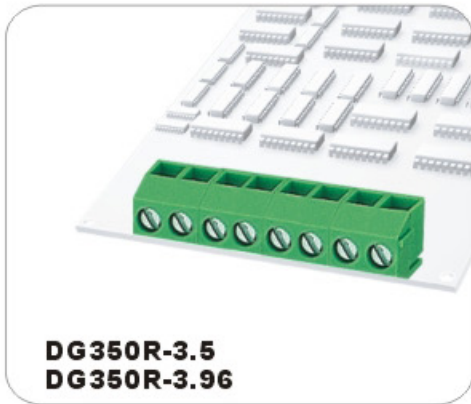
※Material
 Housing : PA66,UL94V-0
 Screws : M2,steel,Cr⁺Zn plated
 Pin header : Brass,Tin plated
 Wire guard : Phosphor bronze

※电气性能
 参考标准: UL IEC
 额定电压: 300V 130V
 额定电流: 7A 10A
 导线线径: 24-18AWG 1.0mm²
 耐电压: AC1250V/1Min

※机械性能
 扭力矩: 0.2Nm(1.7Lb-In.)
 环境温度: -40°C ~ +105°C
 剥线长度: 5-6mm

※尺寸
 间距: 3.5mm(.138")3.96mm(.156")
 极数: 2P,3P~24P

※材质和电镀
 塑件: PA66,UL94V-0
 螺丝: M2,钢,镀Cr⁺钝化彩锌
 焊针: 黄铜,镀锡
 簧片: 磷青铜



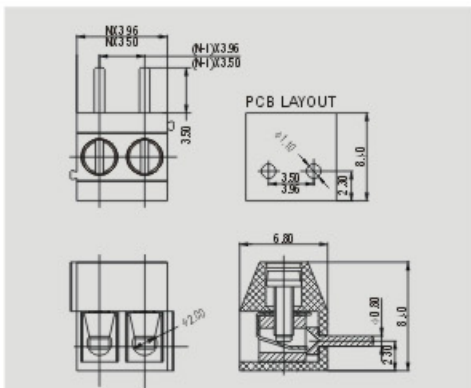
DG350R-3.5
DG350R-3.96





DG340-3.81



DG340R-3.81



Pitch: 3.5, 3.96mm; Poles: 2P, 3P~24P

APPROVAL :  
※Electrical
 Standard : UL IEC
 Rated voltage : 300V 130V
 Rated current : 10A 10A
 Wire range : 24-18AWG 1.0mm²
 Withstanding voltage : AC1250V/1Min

※Mechanical
 Torque : 0.2Nm (1.7Lb-In.)
 Ambient temperature : -40°C ~ +105°C
 Strip length : 5-6mm

※Dimensions
 Pitch : 3.5mm (.138") 3.96mm (.156")
 Poles : 2P, 3P~24P

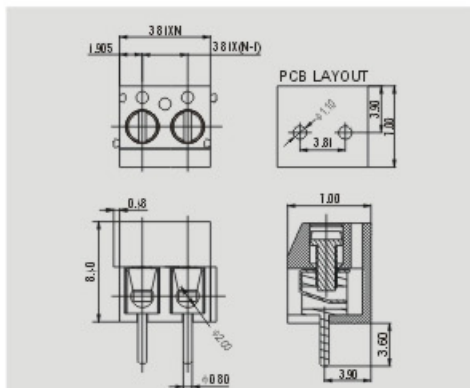
※Material
 Housing : PA66, UL94V-0
 Screws : M2, steel, Cr⁺Zn plated
 Pin header : Brass, Tin plated
 Wire guard : Phosphor bronze

※电气性能
 参考标准: UL IEC
 额定电压: 300V 130V
 额定电流: 10A 10A
 导线线径: 24-18AWG 1.0mm²
 耐电压: AC1250V/1Min



※机械性能
 扭力矩: 0.2Nm (1.7Lb-In.)
 环境温度: -40°C ~ +105°C
 剥线长度: 5-6mm

※尺寸
 间距: 3.5mm (.138") 3.96mm (.156")
 极数: 2P, 3P~24P

※材质和电镀
 塑件: PA66, UL94V-0
 螺丝: M2, 钢, 镀Cr⁺钝化彩锌
 焊针: 黄铜, 镀锡
 簧片: 磷青铜



Pitch: 3.81mm; Poles: 2P, 3P~24P

APPROVAL :  
※Electrical
 Standard : UL IEC
 Rated voltage : 300V 130V
 Rated current : 7A 10A
 Wire range : 24-18AWG 1.0mm²
 Withstanding voltage : AC1250V/1Min

※Mechanical
 Torque : 0.2Nm (1.7Lb-In.)
 Ambient temperature : -40°C ~ +105°C
 Strip length : 5-6mm

※Dimensions
 Pitch : 3.81mm (.150")
 Poles : 2P, 3P~24P

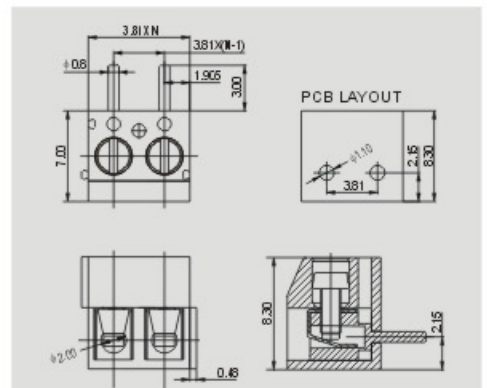
※Material
 Housing : PA66, UL94V-0
 Screws : M2, steel, Cr⁺Zn plated
 Pin header : Brass, Tin plated
 Wire guard : Phosphor bronze

※电气性能
 参考标准: UL IEC
 额定电压: 300V 130V
 额定电流: 7A 10A
 导线线径: 24-18AWG 1.0mm²
 耐电压: AC1250V/1Min



※机械性能
 扭力矩: 0.2Nm (1.7Lb-In.)
 环境温度: -40°C ~ +105°C
 剥线长度: 5-6mm

※尺寸
 间距: 3.81mm (.150")
 极数: 2P, 3P~24P

※材质和电镀
 塑件: PA66, UL94V-0
 螺丝: M2, 钢, 镀Cr⁺钝化彩锌
 焊针: 黄铜, 镀锡
 簧片: 磷青铜



Pitch: 3.81mm; Poles: 2P, 3P~24P

APPROVAL :  
※Electrical
 Standard : UL IEC
 Rated voltage : 300V 130V
 Rated current : 10A 10A
 Wire range : 24-18AWG 1.0mm²
 Withstanding voltage : AC1250V/1Min

※Mechanical
 Torque : 0.2Nm (1.7Lb-In.)
 Ambient temperature : -40°C ~ +105°C
 Strip length : 5-6mm

※Dimensions
 Pitch : 3.81mm (.150")
 Poles : 2P, 3P~24P

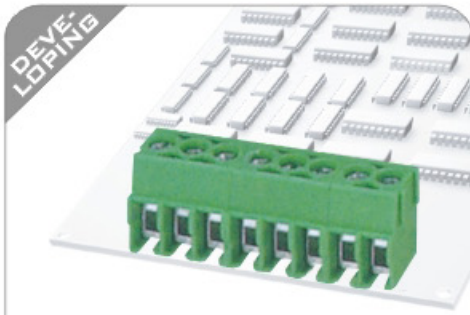
※Material
 Housing : PA66, UL94V-0
 Screws : M2.5, steel, Cr⁺Zn plated
 Pin header : Brass, Tin plated
 Wire guard : Phosphor bronze

※电气性能
 参考标准: UL IEC
 额定电压: 300V 130V
 额定电流: 10A 10A
 导线线径: 24-18AWG 1.0mm²
 耐电压: AC1250V/1Min

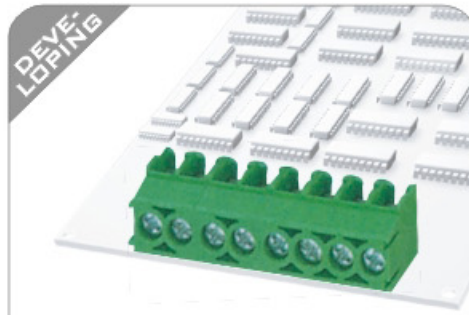
※机械性能
 扭力矩: 0.2Nm (1.7Lb-In.)
 环境温度: -40°C ~ +105°C
 剥线长度: 5-6mm

※尺寸
 间距: 3.81mm (.150")
 极数: 2P, 3P~24P

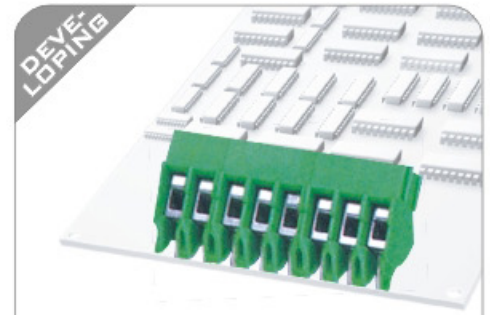
※材质和电镀
 塑件: PA66, UL94V-0
 螺丝: M2, 钢, 镀Cr⁺钝化彩锌
 焊针: 黄铜, 镀锡
 簧片: 磷青铜



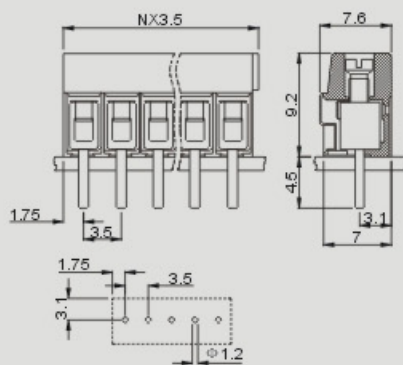
DG351-3.5



DG351R-3.5



DG351S-3.5



Pitch: 3.5mm; Poles: 2P,3P~24P

APPROVAL

※ Electrical		
Standard	: UL	IEC
Rated voltage	: 300V	200V
Rated current	: 10A	17.5A
Wire range	: 26-16AWG	1.5mm ²
Withstanding voltage	: AC1500V/1Min	

※ **Mechanical**

Torque	: 0.2Nm(1.7Lb-In.)
Ambient temperature	: -40°C~+105°C
Strip length	: 5mm

※ **Dimensions**

Pitch	: 3.5mm(.138")
Poles	: 2P,3P~24P

※ **Material**

Housing	: PA66,UL94V-0
Screws	: M2,steel,Cr3+ Zn plated
Pin header	: Brass,Tin plated
Wire guard	: Stainless steel

※ **电气性能**

参考标准:	UL	IEC
额定电压:	300V	200V
额定电流:	10A	17.5A
导线线径:	26-16AWG	1.5mm ²
耐电压:	AC1500V/1Min	

※ **机械性能**

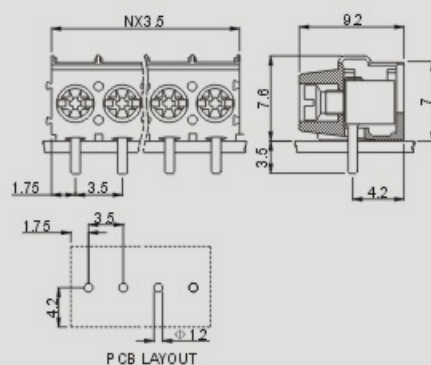
扭力矩:	0.2Nm(1.7Lb-In.)
环境温度:	-40°C~+105°C
剥线长度:	5mm

※ **尺寸**

间距:	3.5mm(.138")
极数:	2P,3P~24P

※ **材质和电镀**

塑件:	PA66,UL94V-0
螺丝:	M2,铜,镀Cr ³⁺ 钝化彩锌
焊针:	黄铜,镀锡
簧片:	不锈钢



Pitch: 3.5mm; Poles: 2P,3P~24P

APPROVAL

※ Electrical		
Standard	: UL	IEC
Rated voltage	: 300V	200V
Rated current	: 10A	17.5A
Wire range	: 26-16AWG	1.5mm ²
Withstanding voltage	: AC1500V/1Min	

※ **Mechanical**

Torque	: 0.2Nm(1.7Lb-In.)
Ambient temperature	: -40°C~+105°C
Strip length	: 5mm

※ **Dimensions**

Pitch	: 3.5mm(.138")
Poles	: 2P,3P~24P

※ **Material**

Housing	: PA66,UL94V-0
Screws	: M2,steel,Cr3+ Zn plated
Pin header	: Brass,Tin plated
Wire guard	: Stainless steel

※ **电气性能**

参考标准:	UL	IEC
额定电压:	300V	200V
额定电流:	10A	17.5A
导线线径:	26-16AWG	1.5mm ²
耐电压:	AC1500V/1Min	

※ **机械性能**

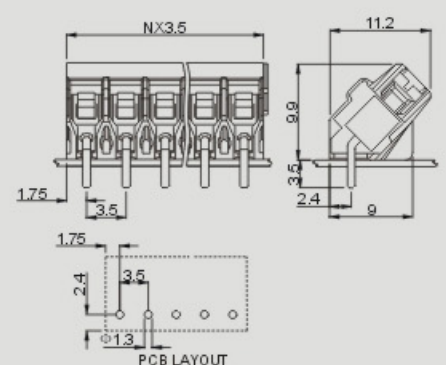
扭力矩:	0.2Nm(1.7Lb-In.)
环境温度:	-40°C~+105°C
剥线长度:	5mm

※ **尺寸**

间距:	3.5mm(.138")
极数:	2P,3P~24P

※ **材质和电镀**

塑件:	PA66,UL94V-0
螺丝:	M2,铜,镀Cr ³⁺ 钝化彩锌
焊针:	黄铜,镀锡
簧片:	不锈钢



Pitch: 3.5mm; Poles: 2P,3P~24P

APPROVAL

※ Electrical		
Standard	: UL	IEC
Rated voltage	: 300V	200V
Rated current	: 10A	17.5A
Wire range	: 26-16AWG	1.5mm ²
Withstanding voltage	: AC1500V/1Min	

※ **Mechanical**

Torque	: 0.2Nm(1.7Lb-In.)
Ambient temperature	: -40°C~+105°C
Strip length	: 5mm

※ **Dimensions**

Pitch	: 3.5mm(.138")
Poles	: 2P,3P~24P

※ **Material**

Housing	: PA66,UL94V-0
Screws	: M2,steel,Cr3+ Zn plated
Pin header	: Brass,Tin plated
Wire guard	: Stainless steel

※ **电气性能**

参考标准:	UL	IEC
额定电压:	300V	200V
额定电流:	10A	17.5A
导线线径:	26-16AWG	1.5mm ²
耐电压:	AC1500V/1Min	

※ **机械性能**

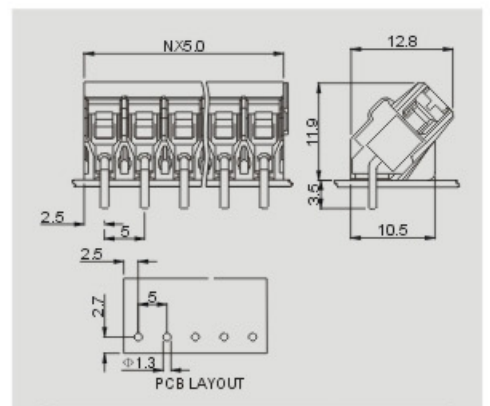
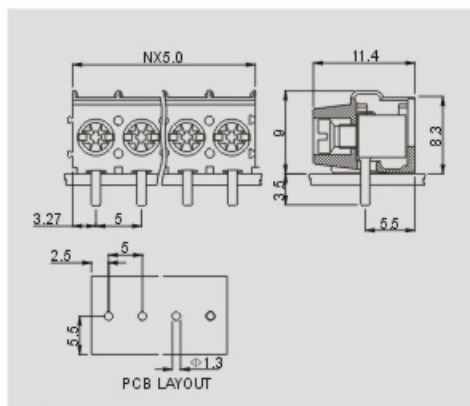
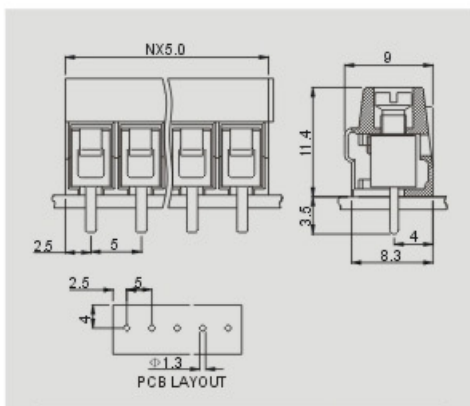
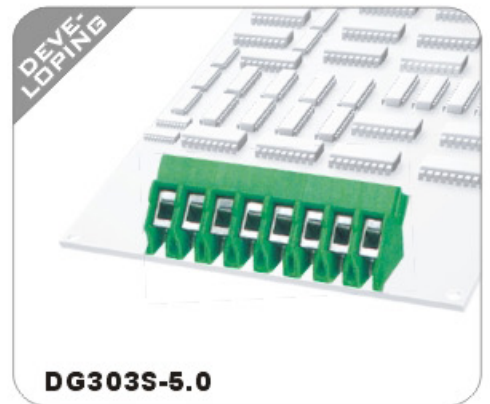
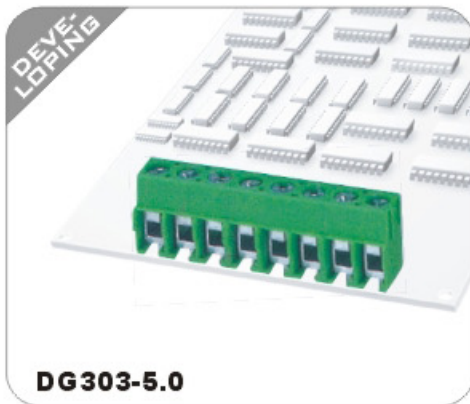
扭力矩:	0.2Nm(1.7Lb-In.)
环境温度:	-40°C~+105°C
剥线长度:	5mm

※ **尺寸**

间距:	3.5mm(.138")
极数:	2P,3P~24P

※ **材质和电镀**

塑件:	PA66,UL94V-0
螺丝:	M2,铜,镀Cr ³⁺ 钝化彩锌
焊针:	黄铜,镀锡
簧片:	不锈钢



APPROVAL :
 ※ **Electrical**
 Standard : UL IEC
 Rated voltage : 300V 320V
 Rated current : 15A 17.5A
 Wire range : 26-14AWG 2.5mm²
 Withstanding voltage : AC2000V/1Min

※ **Mechanical**
 Torque : 0.4Nm(3.5Lb-In.)
 Ambient temperature : -40°C~+105°C
 Strip length : 5mm

※ **Dimensions**
 Pitch : 5.0mm(.197")
 Poles : 2P,3P~24P

※ **Material**
 Housing : PA66,UL94V-0
 Screws : M2.5,steel,Cr⁺⁺Zn plated
 Pin header : Brass,Tin plated
 Wire guard : Stainless steel

※ **电气性能**
 参考标准: UL IEC
 额定电压: 300V 320V
 额定电流: 15A 17.5A
 导线线径: 26-14AWG 2.5mm²
 耐电压: AC2000V/1Min

※ **机械性能**
 扭力矩: 0.4Nm(3.5Lb-In.)
 环境温度: -40°C~+105°C
 剥线长度: 5mm

※ **尺寸**
 间距: 5.0mm(.197")
 极数: 2P,3P~24P

※ **材质和电镀**
 塑件: PA66,UL94V-0
 螺丝: M2.5,铜,镀Cr⁺⁺钝化彩锌
 焊针: 黄铜,镀锡
 簧片: 不锈钢

APPROVAL :
 ※ **Electrical**
 Standard : UL IEC
 Rated voltage : 300V 320V
 Rated current : 15A 17.5A
 Wire range : 26-14AWG 2.5mm²
 Withstanding voltage : AC2000V/1Min

※ **Mechanical**
 Torque : 0.4Nm(3.5Lb-In.)
 Ambient temperature : -40°C~+105°C
 Strip length : 5mm

※ **Dimensions**
 Pitch : 5.0mm(.197")
 Poles : 2P,3P~24P

※ **Material**
 Housing : PA66,UL94V-0
 Screws : M2.5,steel,Cr⁺⁺Zn plated
 Pin header : Brass,Tin plated
 Wire guard : Stainless steel

※ **电气性能**
 参考标准: UL IEC
 额定电压: 300V 320V
 额定电流: 15A 17.5A
 导线线径: 26-14AWG 2.5mm²
 耐电压: AC2000V/1Min

※ **机械性能**
 扭力矩: 0.4Nm(3.5Lb-In.)
 环境温度: -40°C~+105°C
 剥线长度: 5mm

※ **尺寸**
 间距: 5.0mm(.197")
 极数: 2P,3P~24P

※ **材质和电镀**
 塑件: PA66,UL94V-0
 螺丝: M2.5,铜,镀Cr⁺⁺钝化彩锌
 焊针: 黄铜,镀锡
 簧片: 不锈钢

APPROVAL :
 ※ **Electrical**
 Standard : UL IEC
 Rated voltage : 300V 320V
 Rated current : 15A 17.5A
 Wire range : 26-14AWG 2.5mm²
 Withstanding voltage : AC2000V/1Min

※ **Mechanical**
 Torque : 0.4Nm(3.5Lb-In.)
 Ambient temperature : -40°C~+105°C
 Strip length : 5mm

※ **Dimensions**
 Pitch : 5.0mm(.197")
 Poles : 2P,3P~24P

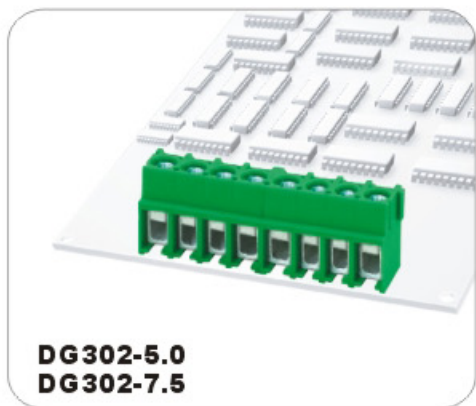
※ **Material**
 Housing : PA66,UL94V-0
 Screws : M2.5,steel,Cr⁺⁺Zn plated
 Pin header : Brass,Tin plated
 Wire guard : Stainless steel

※ **电气性能**
 参考标准: UL IEC
 额定电压: 300V 320V
 额定电流: 15A 17.5A
 导线线径: 26-14AWG 2.5mm²
 耐电压: AC2000V/1Min

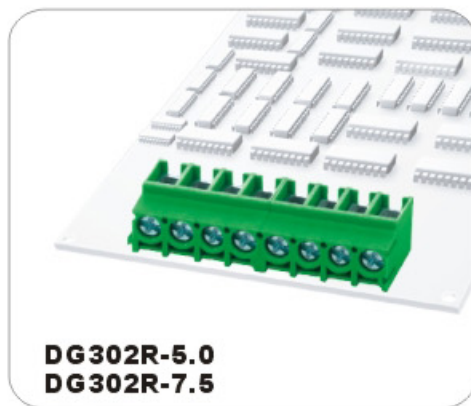
※ **机械性能**
 扭力矩: 0.4Nm(3.5Lb-In.)
 环境温度: -40°C~+105°C
 剥线长度: 5mm

※ **尺寸**
 间距: 5.0mm(.197")
 极数: 2P,3P~24P

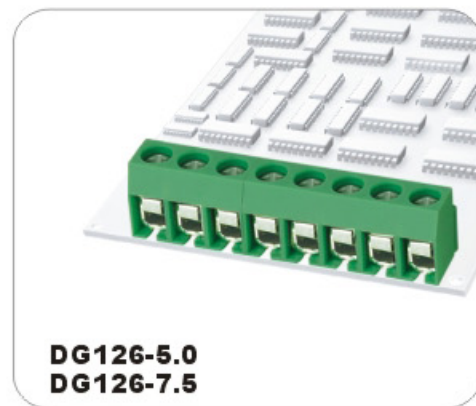
※ **材质和电镀**
 塑件: PA66,UL94V-0
 螺丝: M2.5,铜,镀Cr⁺⁺钝化彩锌
 焊针: 黄铜,镀锡
 簧片: 不锈钢



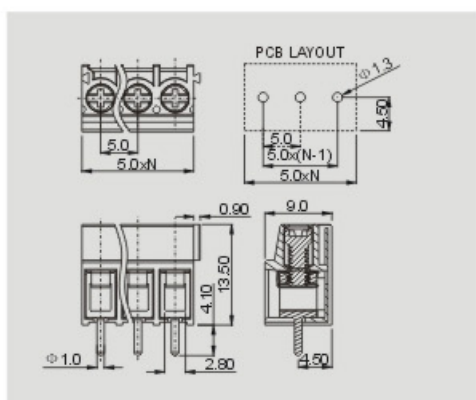
DG302-5.0
DG302-7.5




DG302R-5.0
DG302R-7.5



DG126-5.0
DG126-7.5



Pitch: 5.0, 7.5mm; Poles: 2P, 3P ~ 24P

APPROVAL : 
※Electrical
 Standard : UL IEC
 Rated voltage : 300V 250V
 Rated current : 20A 25A
 Wire range : 20-12AWG 0.5-4 mm²
 Withstanding voltage : AC2000V/1Min

※Mechanical
 Torque : 0.4Nm (3.5Lb-In.)
 Ambient temperature : -40°C ~ +105°C
 Strip length : 6.5 mm

※Dimensions
 Pitch : 5.0mm (.197") 7.5mm (.295")
 Poles : 2P, 3P ~ 24P

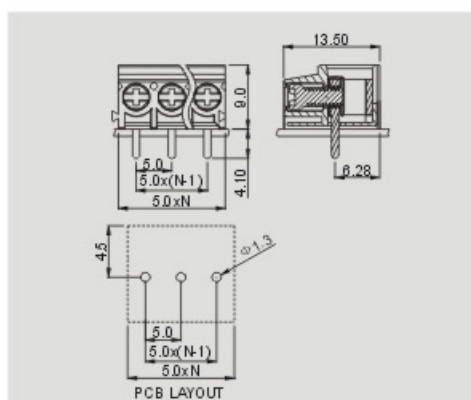
※Material
 Housing : PA66, UL94V-0
 Screws : M2.5, steel, Cr⁺⁺ Zn plated
 Pin header : Brass, Tin plated
 Wire guard : Stainless steel

※电气性能
 参考标准: UL IEC
 额定电压: 300V 250V
 额定电流: 20A 25A
 导线线径: 20-12AWG 0.5-4mm²
 耐电压: AC2000V/1Min

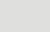
※机械性能
 扭力矩: 0.4Nm (3.5Lb-In.)
 环境温度: -40°C ~ +105°C
 剥线长度: 6.5mm

※尺寸
 间距: 5.0mm (.197") 7.5mm (.295")
 极数: 2P, 3P ~ 24P

※材质和电镀
 塑件: PA66, UL94V-0
 螺丝: M2.5, 钢, 镀Cr⁺⁺钝化彩锌
 焊针: 黄铜, 镀锡
 簧片: 不锈钢



Pitch: 5.0, 7.5mm; Poles: 2P, 3P ~ 24P

APPROVAL : 
※Electrical
 Standard : UL IEC
 Rated voltage : 300V 250V
 Rated current : 20A 25A
 Wire range : 20-12AWG 0.5-4 mm²
 Withstanding voltage : AC2000V/1Min

※Mechanical
 Torque : 0.4Nm (3.5Lb-In.)
 Ambient temperature : -40°C ~ +105°C
 Strip length : 6.5 mm

※Dimensions
 Pitch : 5.0mm (.197") 7.5mm (.295")
 Poles : 2P, 3P ~ 24P

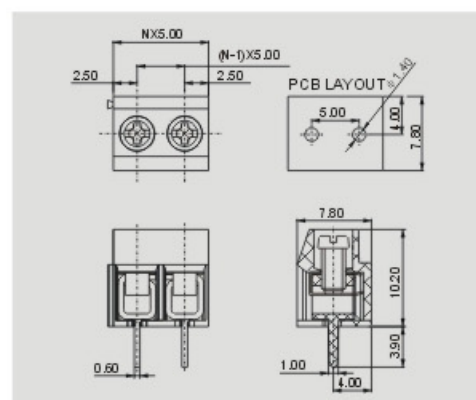
※Material
 Housing : PA66, UL94V-0
 Screws : M2.5, steel, Cr⁺⁺ Zn plated
 Pin header : Brass, Tin plated
 Wire guard : Stainless steel

※电气性能
 参考标准: UL IEC
 额定电压: 300V 250V
 额定电流: 20A 25A
 导线线径: 20-12AWG 0.5-4mm²
 耐电压: AC2000V/1Min


※机械性能
 扭力矩: 0.4Nm (3.5Lb-In.)
 环境温度: -40°C ~ +105°C
 剥线长度: 6.5mm

※尺寸
 间距: 5.0mm (.197") 7.5mm (.295")
 极数: 2P, 3P ~ 24P

※材质和电镀
 塑件: PA66, UL94V-0
 螺丝: M2.5, 钢, 镀Cr⁺⁺钝化彩锌
 焊针: 黄铜, 镀锡
 簧片: 不锈钢



Pitch: 5.0, 7.5mm; Poles: 2P, 3P ~ 24P

APPROVAL : 
※Electrical
 Standard : UL IEC
 Rated voltage : 300V 250V
 Rated current : 10A 17.5A
 Wire range : 26-14AWG 0.5-1.5mm²
 Withstanding voltage : AC2000V/1Min

※Mechanical
 Torque : 0.4Nm (3.5Lb-In.)
 Ambient temperature : -40°C ~ +105°C
 Strip length : 6-7 mm

※Dimensions
 Pitch : 5.0mm (.197") 7.5mm (.295")
 Poles : 2P, 3P ~ 24P

※Material
 Housing : PA66, UL94V-0
 Screws : M2.5, steel, Cr⁺⁺ Zn plated
 Pin header : Brass, Tin plated
 Wire guard : Stainless steel

※电气性能
 参考标准: UL IEC
 额定电压: 300V 250V
 额定电流: 10A 17.5A
 导线线径: 26-14AWG 0.5-1.5mm²
 耐电压: AC2000V/1Min

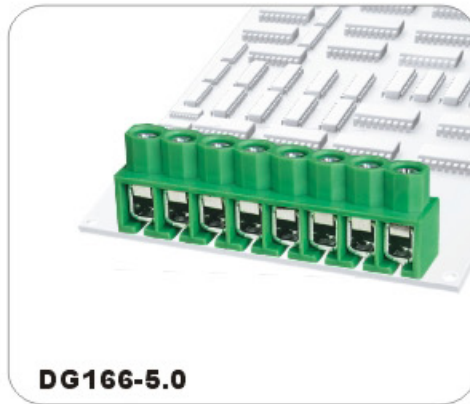
※机械性能
 扭力矩: 0.4Nm (3.5Lb-In.)
 环境温度: -40°C ~ +105°C
 剥线长度: 6-7mm

※尺寸
 间距: 5.0mm (.197") 7.5mm (.295")
 极数: 2P, 3P ~ 24P

※材质和电镀
 塑件: PA66, UL94V-0
 螺丝: M2.5, 钢, 镀Cr⁺⁺钝化彩锌
 焊针: 黄铜, 镀锡
 簧片: 不锈钢



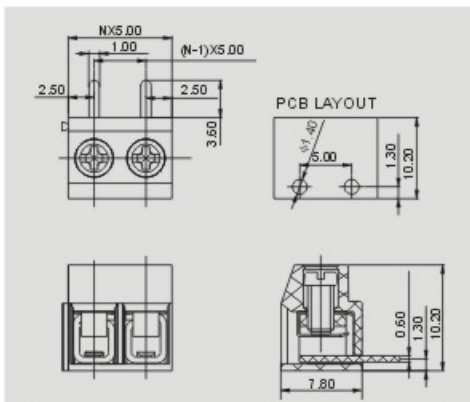
DG126R-5.0





DG166-5.0



DG167-5.0
DG167-7.62



Pitch: 5.0mm; Poles: 2P,3P~24P

APPROVAL :  
※ Electrical
 Standard : UL IEC
 Rated voltage : 300V 250V
 Rated current : 10A 17.5A
 Wire range : 26-14AWG 0.5-1.5mm²
 Withstanding voltage : AC2000V/1Min

※ Mechanical
 Torque : 0.4Nm(3.5Lb-In.)
 Ambient temperature : -40°C~+105°C
 Strip length : 6-7mm

※ Dimensions
 Pitch : 5.0mm(.197")
 Poles : 2P,3P~24P

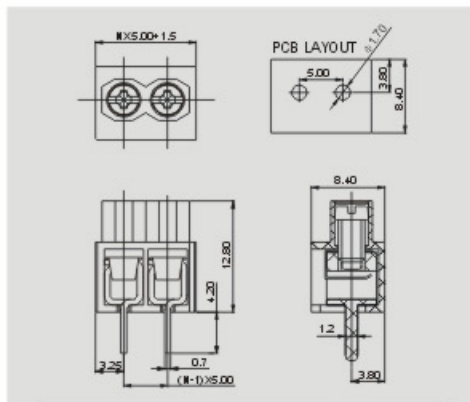
※ Material
 Housing : PA66,UL94V-0
 Screws : M2.5,steel,Cr⁺⁺Zn plated
 Pin header : Brass,Tin plated
 Wire guard : Stainless steel

※ 电气性能
 参考标准: UL IEC
 额定电压: 300V 250V
 额定电流: 10A 17.5A
 导线线径: 26-14AWG 0.5-1.5mm²
 耐电压: AC2000V/1Min



※ 机械性能
 扭力矩: 0.4Nm(3.5Lb-In.)
 环境温度: -40°C~+105°C
 剥线长度: 6-7mm

※ 尺寸
 间距: 5.0mm(.197")
 极数: 2P,3P~24P

※ 材质和电镀
 塑件: PA66,UL94V-0
 螺丝: M2.5,钢,镀Cr⁺⁺钝化彩锌
 焊针: 黄铜,镀锡
 簧片: 不锈钢



Pitch: 5.0mm; Poles: 2P,3P~24P

APPROVAL :  
※ Electrical
 Standard : UL IEC
 Rated voltage : 300V 250V
 Rated current : 15A 22A
 Wire range : 22-12AWG 2.5mm²
 Withstanding voltage : AC2000V/1Min

※ Mechanical
 Torque : 0.5Nm(4.4Lb-In.)
 Ambient temperature : -40°C~+105°C
 Strip length : 6-7mm

※ Dimensions
 Pitch : 5.0mm(.197")
 Poles : 2P,3P~24P

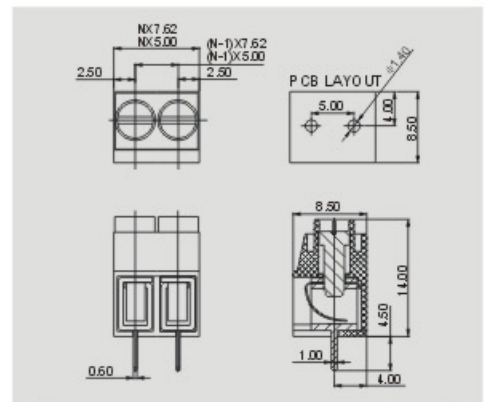
※ Material
 Housing : PA66,UL94V-0
 Screws : M3,steel,Cr⁺⁺Zn plated
 Pin header : Brass,Tin plated
 Wire guard : Phosphor bronze

※ 电气性能
 参考标准: UL IEC
 额定电压: 300V 250V
 额定电流: 15A 22A
 导线线径: 22-12AWG 2.5mm²
 耐电压: AC2000V/1Min



※ 机械性能
 扭力矩: 0.5Nm(4.4Lb-In.)
 环境温度: -40°C~+105°C
 剥线长度: 6-7mm

※ 尺寸
 间距: 5.0mm(.197")
 极数: 2P,3P~24P

※ 材质和电镀
 塑件: PA66,UL94V-0
 螺丝: M3,钢,镀Cr⁺⁺钝化彩锌
 焊针: 黄铜,镀锡
 簧片: 磷青铜



Pitch: 5.0,7.62mm; Poles: 2P~12P

APPROVAL :  
※ Electrical
 Standard : UL IEC
 Rated voltage : 300V 250V,450V
 Rated current : 15A 22A
 Wire range : 22-12AWG 0.5-2.5mm²
 Withstanding voltage : AC2000V/1Min

※ Mechanical
 Torque : 0.4Nm(3.5Lb-In.)
 Ambient temperature : -40°C~+105°C
 Strip length : 6-7mm

※ Dimensions
 Pitch : 5.0mm(.197")7.62mm(.300")
 Poles : 2P~12P

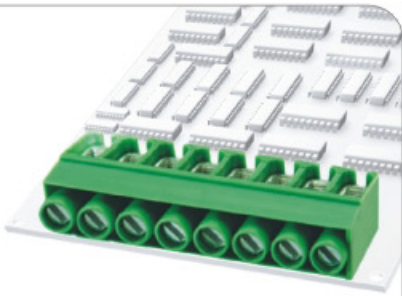
※ Material
 Housing : PA66,UL94V-0
 Screws : M2.5,steel,Cr⁺⁺Zn plated
 Pin header : Brass,Tin plated
 Wire guard : Phosphor bronze

※ 电气性能
 参考标准: UL IEC
 额定电压: 300V 250V,450V
 额定电流: 15A 22A
 导线线径: 22-12AWG 0.5-2.5mm²
 耐电压: AC2000V/1Min

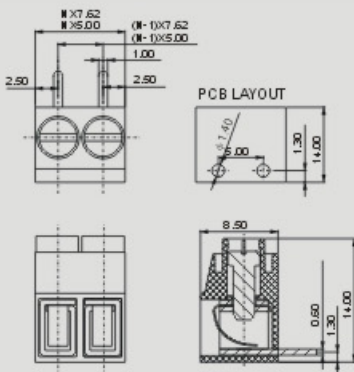
※ 机械性能
 扭力矩: 0.4Nm(3.5Lb-In.)
 环境温度: -40°C~+105°C
 剥线长度: 6-7mm

※ 尺寸
 间距: 5.0mm(.197")7.62mm(.300")
 极数: 2P~12P



※ 材质和电镀
 塑件: PA66,UL94V-0
 螺丝: M2.5,钢,镀Cr⁺⁺钝化彩锌
 焊针: 黄铜,镀锡
 簧片: 磷青铜



DG167R-5.0
DG167R-7.62



Pitch: 5.0,7.62mm; Poles: 2P~12P

APPROVAL :  
※Electrical
 Standard : UL IEC
 Rated voltage : 300V 250V,450V
 Rated current : 15A 22A
 Wire range : 22-12AWG 0.5-2.5mm²
 Withstanding voltage : AC2000V/1Min

※Mechanical
 Torque : 0.4Nm (3.5Lb-In.)
 Ambient temperature : -40°C ~ +105°C
 Strip length : 6-7 mm

※Dimensions
 Pitch : 5.0mm (.197") 7.62mm (.300")
 Poles : 2P~12P

※Material
 Housing : PA66, UL94V-0
 Screws : M2.5, steel, Cr⁺⁺ Zn plated
 Pin header : Brass, Tin plated
 Wire guard : Phosphor bronze

※电气性能
 参考标准: UL IEC
 额定电压: 300V 250V,450V
 额定电流: 15A 22A
 导线线径: 22-12AWG 0.5-2.5mm²
 耐电压: AC2000V/1Min

※机械性能
 扭力矩: 0.4Nm(3.5Lb-In.)
 环境温度: -40°C ~ +105°C
 剥线长度: 6-7mm

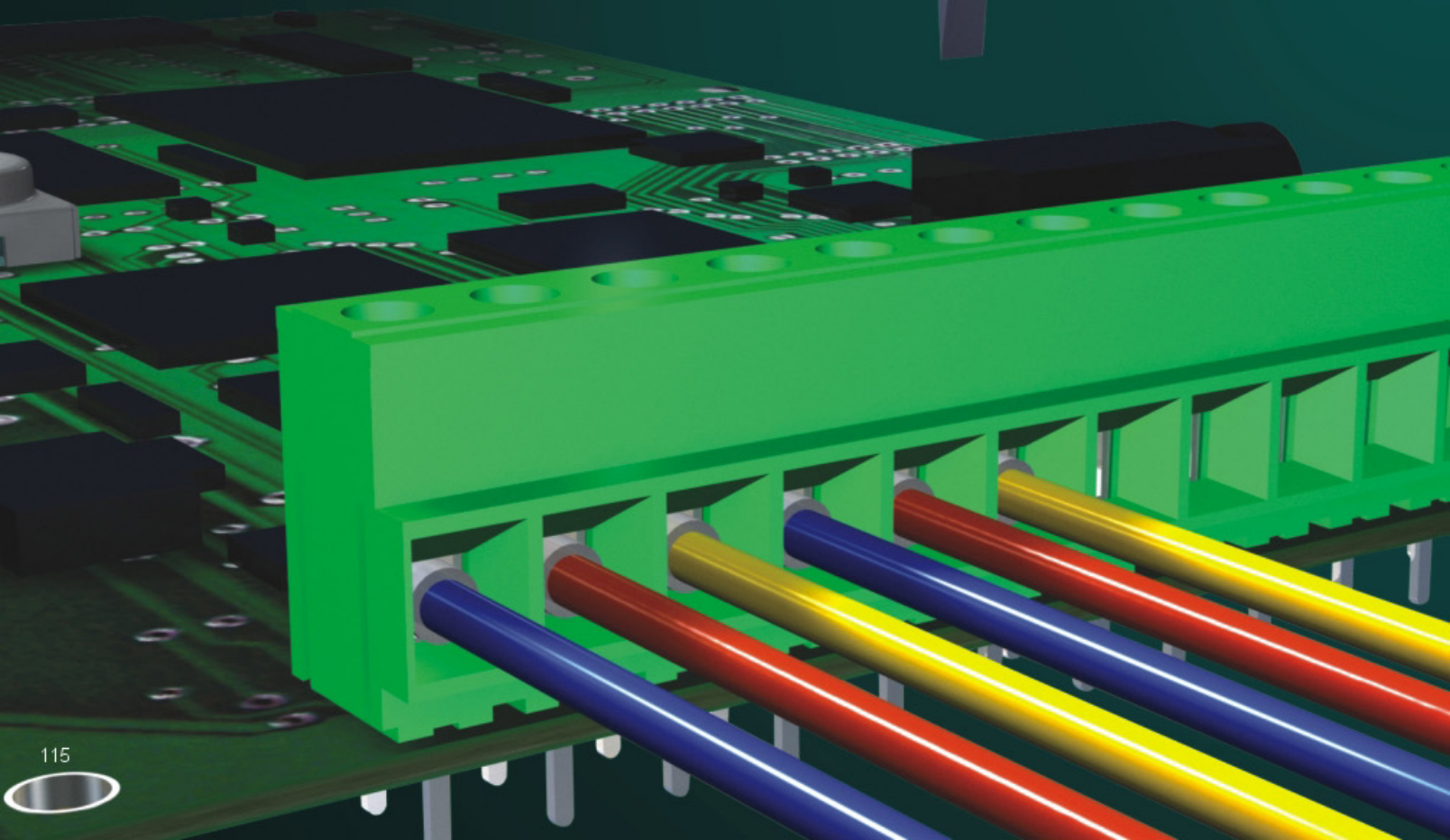
※尺寸
 间距: 5.0mm(.197") 7.62mm(.300")
 极数: 2P~12P

※材质和电镀
 塑件: PA66,UL94V-0
 螺丝: M2.5,钢,镀Cr⁺⁺钝化彩锌
 焊针: 黄铜,镀锡
 簧片: 磷青铜

PCB TERMINAL BLOCKS

Cage Type

螺钉式PCB接线端子(压线框压线)



PCB Universal Screw Terminal Blocks (Cage type), this typical feature of the screw connection system is characterized by the easy connection and extremely high contact strengths.

These connectors are available in the following pitches: 2.54mm, 3.5mm, 3.81mm, 5.0mm, 5.08mm, 6.35mm, 7.5mm, 7.62mm, 10.0mm, 10.16mm, 15.0mm, with 3 wire insertion directions: 90, 135, 180.

With the design level structures from 1 level to 4. The level are offset by half pitch per level and are arranged closely to each other to take into account the need for connection density. Most of PCB Universal Screw Terminal Blocks provide the standard basic sizes as 2 poles and 3 poles. With these two sizes, it can be combined for any needed pole number. However, it depends on the actual situation, for mass quantity, we can supply the one-piece housing product.

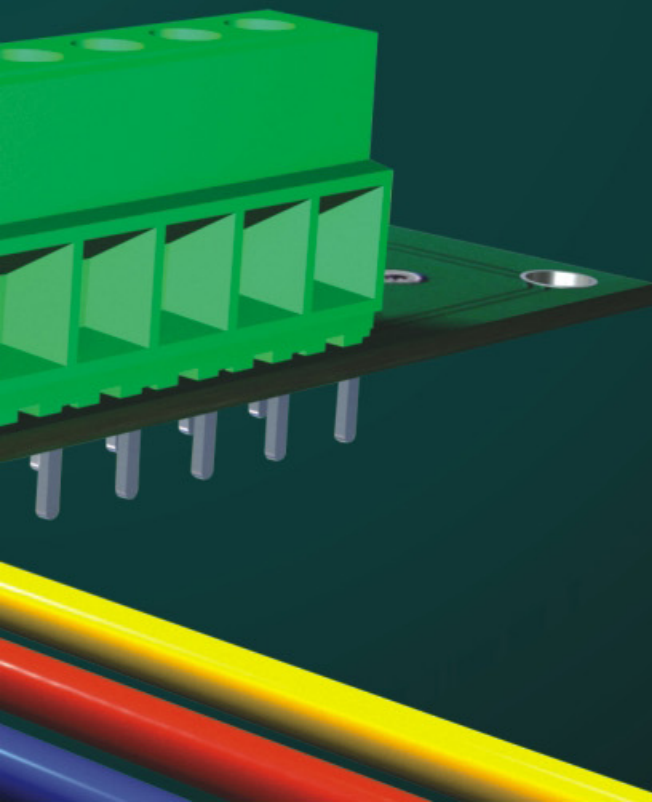
The product is designed in accordance with IEC60998, UL1059, UL486E, CSA C22.2 No.158 standards and get the approval of UL, VDE, CQC etc.

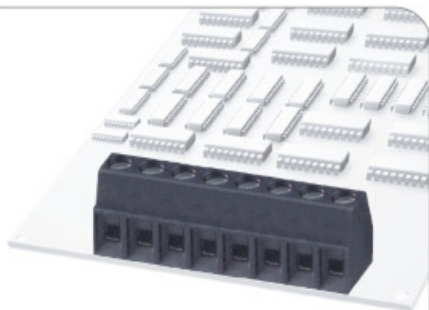
螺钉式PCB端子台(压线框压线), 结构设计兼顾了接线方便, 螺钉连接牢固的特点。

间距有: 2.54、3.5、3.81、5.0、5.08、6.35、7.5、7.62、10.0、10.16、15.0 mm 可供选择。有90°、135°、180°三种进线方向。

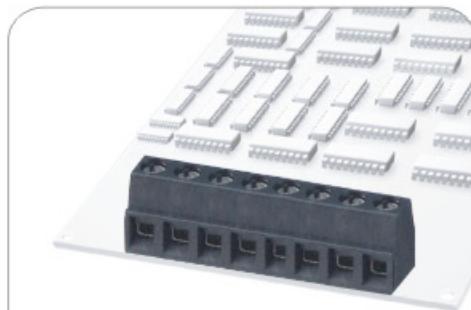
提供1到4层的多层布线, 层与层之间的排列非常紧凑, 且在垂直方向上错开半个针距。大部分的接线端子均提供2P、3P的组合基数, 可组合任何需要的极数, 但数量多时, 可依实际的需要提供一体成型的产品。

产品设计符合IEC60998、UL1059、UL486E、CSA C22.2 No.158等国际标准, 并通过UL、VDE、CQC等认证。

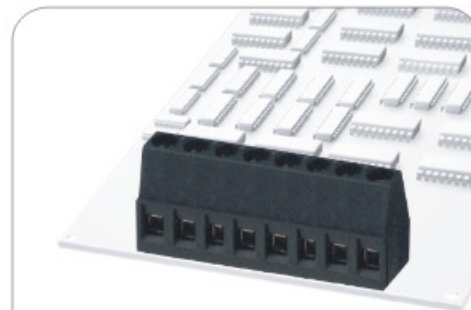




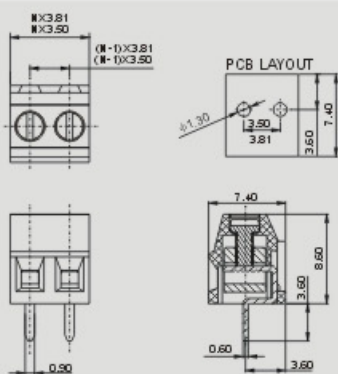
DG381-THT-3.5
DG381-THT-3.81



DG127-THT-5.0
DG127-THT-5.08



DG500-THT-5.0
DG500-THT-5.08



Pitch: 3.5, 3.81mm; Poles: 2P, 3P ~ 24P

APPROVAL

※ Electrical		
Standard	: UL	IEC
Rated voltage	: 150V, 300V	130V
Rated current	: 10 A	10 A
Wire range	: 26-16AWG	1.0 mm ²
Withstanding voltage	: AC1250V/1Min	

※ **Mechanical**

Torque	: 0.2Nm (1.7Lb-In.)
Ambient temperature	: -40°C ~ +140°C
Strip length	: 5 mm

※ **Dimensions**

Pitch	: 3.5mm (.138") 3.81mm (.150")
Poles	: 2P, 3P ~ 24P

※ **Material**

Housing	: PA46, UL94V-0
Screws	: M2, steel, Cr ⁺ Zn plated
Pin header	: Phosphor bronze, Tin plated
Cage	: Brass, Ni plated

※ **电气性能**

参考标准:	UL	IEC
额定电压:	150V, 300V	130V
额定电流:	10A	10A
导线线径:	26-16AWG	1.0mm ²
耐电压:	AC1250V/1Min	

※ **机械性能**

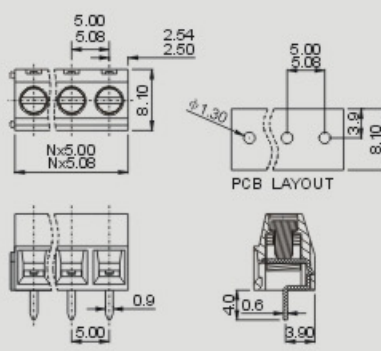
扭力矩:	0.2Nm (1.7Lb-In.)
环境温度:	-40°C ~ +140°C
剥线长度:	5mm

※ **尺寸**

间距:	3.5mm (.138") 3.81mm (.150")
极数:	2P, 3P ~ 24P

※ **材质和电镀**

塑件:	PA46, UL94V-0
螺丝:	M2, 铜, 镀Cr ⁺ 钝化彩锌
焊针:	磷青铜, 镀锡
方盒:	黄铜, 镀镍



Pitch: 5.0, 5.08mm; Poles: 2P, 3P ~ 24P

APPROVAL

※ Electrical		
Standard	: UL	IEC
Rated voltage	: 300V	250V
Rated current	: 12 A	15 A
Wire range	: 26-14AWG	1.5 mm ²
Withstanding voltage	: AC2000V/1Min	

※ **Mechanical**

Torque	: 0.4Nm (3.5Lb-In.)
Ambient temperature	: -40°C ~ +140°C
Strip length	: 6 mm

※ **Dimensions**

Pitch	: 5.0mm (.197") 5.08mm (.200")
Poles	: 2P, 3P ~ 24P

※ **Material**

Housing	: PA46, UL94V-0
Screws	: M2.5, steel, Cr ⁺ Zn plated
Pin header	: Brass, Tin plated
Cage	: Brass, Ni plated

※ **电气性能**

参考标准:	UL	IEC
额定电压:	300V	250V
额定电流:	12A	15A
导线线径:	26-14AWG	1.5mm ²
耐电压:	AC2000V/1Min	

※ **机械性能**

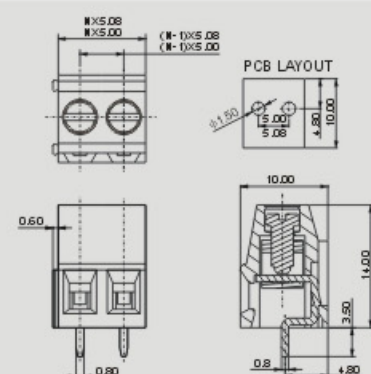
扭力矩:	0.4Nm (3.5Lb-In.)
环境温度:	-40°C ~ +140°C
剥线长度:	6mm

※ **尺寸**

间距:	5.0mm (.197") 5.08mm (.200")
极数:	2P, 3P ~ 24P

※ **材质和电镀**

塑件:	PA46, UL94V-0
螺丝:	M2.5, 铜, 镀Cr ⁺ 钝化彩锌
焊针:	黄铜, 镀锡
方盒:	黄铜, 镀镍



Pitch: 5.0, 5.08mm; Poles: 2P, 3P ~ 24P

APPROVAL

※ Electrical		
Standard	: UL	IEC
Rated voltage	: 300V	250V
Rated current	: 10A	18A
Wire range	: 24-12AWG	2.5 mm ²
Withstanding voltage	: AC2000V/1Min	

※ **Mechanical**

Torque	: 0.4Nm (3.5Lb-In.)
Ambient temperature	: -40°C ~ +140°C
Strip length	: 7 mm

※ **Dimensions**

Pitch	: 5.0mm (.197") 5.08mm (.200")
Poles	: 2P, 3P ~ 24P

※ **Material**

Housing	: PA46, UL94V-0
Screws	: M2.5, steel, Cr ⁺ Zn plated
Pin header	: Brass, Tin plated
Cage	: Brass, Ni plated

※ **电气性能**

参考标准:	UL	IEC
额定电压:	300V	250V
额定电流:	10A	18A
导线线径:	24-12AWG	2.5mm ²
耐电压:	AC2000V/1Min	

※ **机械性能**

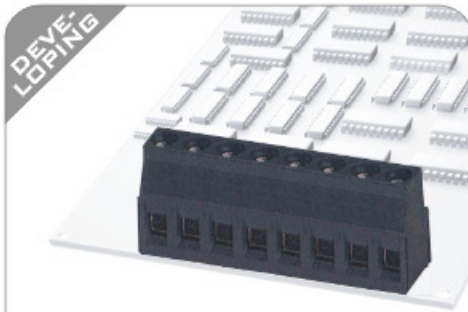
扭力矩:	0.4Nm (3.5Lb-In.)
环境温度:	-40°C ~ +140°C
剥线长度:	7mm

※ **尺寸**

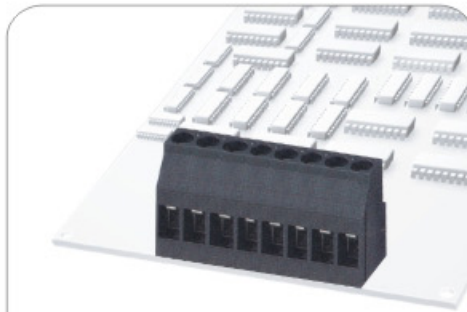
间距:	5.0mm (.197") 5.08mm (.200")
极数:	2P, 3P ~ 24P

※ **材质和电镀**

塑件:	PA46, UL94V-0
螺丝:	M2.5, 铜, 镀Cr ⁺ 钝化彩锌
焊针:	黄铜, 镀锡
方盒:	黄铜, 镀镍



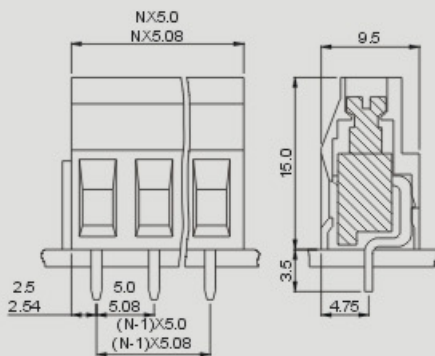
DG503-THT-5.0
DG503-THT-5.08



DG130-THT-5.0
DG130-THT-5.08



DG381-SMT-3.81



Pitch: 5.0, 5.08mm; Poles: 2P, 3P~24P

APPROVAL

Standard	UL	IEC
Rated voltage	300V	250V
Rated current	10A	18A
Wire range	24-12AWG	2.5mm ²
Withstanding voltage	AC2000V/1Min	

※Mechanical

Torque	: 0.4Nm(3.5Lb-In.)
Ambient temperature	: -40°C~ +140°C
Strip length	: 7mm

※Dimensions

Pitch	: 5.0mm(.197") 5.08mm(.200")
Poles	: 2P, 3P~24P

※Material

Housing	: PA46, UL94V-0
Screws	: M2.5, steel, Cr ⁺ Zn plated
Pin header	: Brass, Tin plated
Cage	: Brass, Ni plated

※电气性能

参考标准	UL	IEC
额定电压	300V	250V
额定电流	10A	18A
导线线径	24-12AWG	2.5mm ²
耐电压	AC2000V/1Min	

※机械性能

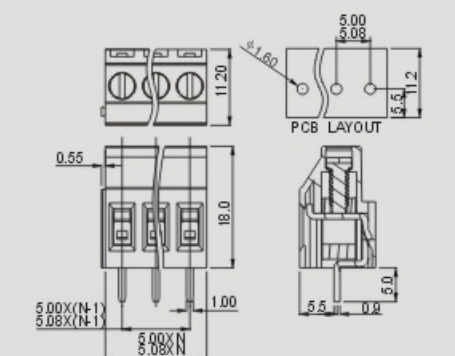
扭力矩	: 0.4Nm(3.5Lb-In.)
环境温度	: -40°C~ +140°C
剥线长度	: 7mm

※尺寸

间距	: 5.0mm(.197") 5.08mm(.200")
极数	: 2P, 3P~24P

※材质和电镀

塑件	: PA46, UL94V-0
螺丝	: M2.5, 钢, 镀Cr ⁺ 钝化彩锌
焊针	: 黄铜, 镀锡
方盒	: 黄铜, 镀镍



Pitch: 5.0, 5.08mm; Poles: 2P, 3P~24P

APPROVAL

Standard	UL	IEC
Rated voltage	300V	250V
Rated current	20A	20A
Wire range	26-12AWG	2.5mm ²
Withstanding voltage	AC2000V/1Min	

※Mechanical

Torque	: 0.5Nm(4.4Lb-In.)
Ambient temperature	: -40°C~ +140°C
Strip length	: 7mm

※Dimensions

Pitch	: 5.0mm(.197") 5.08mm(.200")
Poles	: 2P, 3P~24P

※Material

Housing	: PA46, UL94V-0
Screws	: M3, steel, Cr ⁺ Zn plated
Pin header	: Brass, Tin plated
Cage	: Brass, Ni plated

※电气性能

参考标准	UL	IEC
额定电压	300V	250V
额定电流	20A	20A
导线线径	26-12AWG	2.5mm ²
耐电压	AC2000V/1Min	

※机械性能

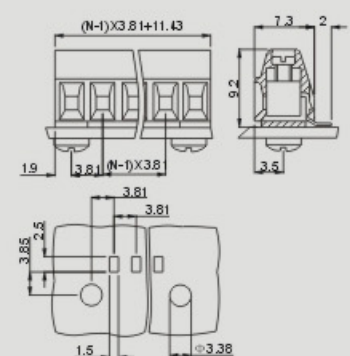
扭力矩	: 0.5Nm(4.4Lb-In.)
环境温度	: -40°C~ +140°C
剥线长度	: 7mm

※尺寸

间距	: 5.0mm(.197") 5.08mm(.200")
极数	: 2P, 3P~24P

※材质和电镀

塑件	: PA46, UL94V-0
螺丝	: M3, 钢, 镀Cr ⁺ 钝化彩锌
焊针	: 黄铜, 镀锡
方盒	: 黄铜, 镀镍



Pitch: 3.81mm; Poles: 2P~12P

APPROVAL

Standard	UL	IEC
Rated voltage	150V	130V
Rated current	10A	10A
Wire range	26-16AWG	1.0mm ²
Withstanding voltage	AC1250V/1Min	

※Mechanical

Torque	: 0.2Nm(1.7Lb-In.)
Ambient temperature	: -40°C~ +140°C
Strip length	: 5mm

※Dimensions

Pitch	: 3.81mm(.150")
Poles	: 2P~12P

※Material

Housing	: PA46, UL94V-0
Screws	: M2, steel, Cr ⁺ Zn plated
Pin header	: Phosphor bronze, Tin plated
Cage	: Brass, Ni plated

※电气性能

参考标准	UL	IEC
额定电压	150V	130V
额定电流	10A	10A
导线线径	26-16AWG	1.0mm ²
耐电压	AC1250V/1Min	

※机械性能

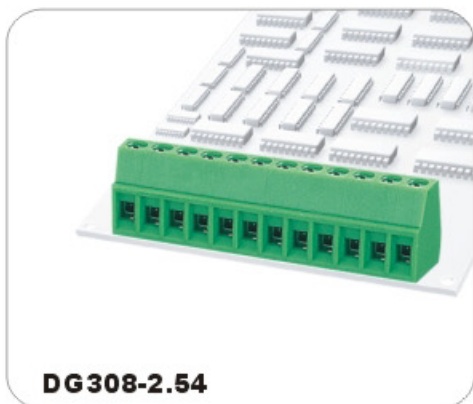
扭力矩	: 0.2Nm(1.7Lb-In.)
环境温度	: -40°C~ +140°C
剥线长度	: 5mm

※尺寸

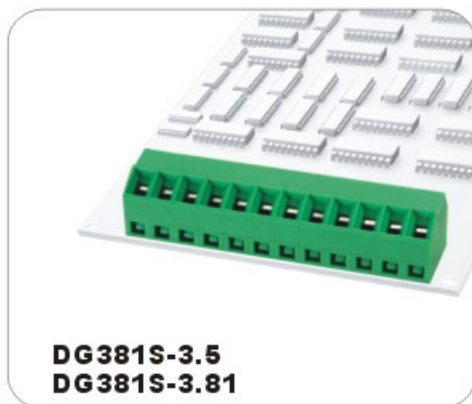
间距	: 3.81mm(.150")
极数	: 2P~12P

※材质和电镀

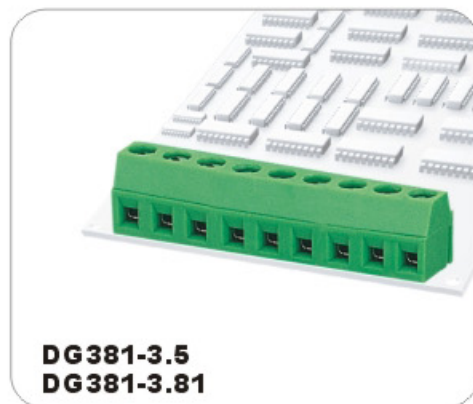
塑件	: PA46, UL94V-0
螺丝	: M2, 钢, 镀Cr ⁺ 钝化彩锌
焊针	: 磷青铜, 镀锡
方盒	: 黄铜, 镀镍



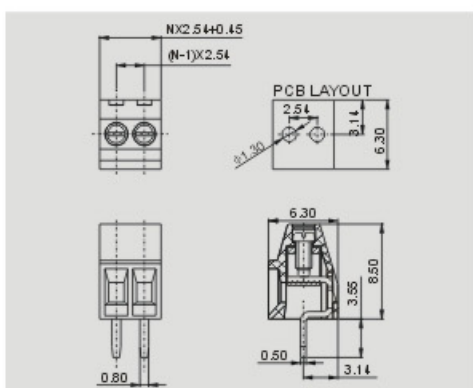
DG308-2.54





**DG381S-3.5
DG381S-3.81**



**DG381-3.5
DG381-3.81**



Pitch: 2.54mm; Poles: 2P~20P

APPROVAL :  

※**Electrical**

Standard	: UL	IEC
Rated voltage	: 150V	130V
Rated current	: 6A	8A
Wire range	: 26-18AWG	1.0 mm ²
Withstanding voltage	: AC1250V/1Min	

※**Mechanical**

Torque	: 0.1Nm(0.89Lb-In.)
Ambient temperature	: -40°C~+105°C
Strip length	: 4.5 mm

※**Dimensions**

Pitch	: 2.54mm(.100")
Poles	: 2P~20P

※**Material**

Housing	: PA66,UL94V-0
Screws	: M1.6,steel,Cr ⁺⁺ Zn plated
Pin header	: Brass,Tin plated
Cage	: Brass,Ni plated

※**电气性能**

参考标准	: UL	IEC
额定电压	: 150V	130V
额定电流	: 6A	8A
导线线径	: 26-18AWG	1.0mm ²
耐电压	: AC1250V/1Min	

※**机械性能**

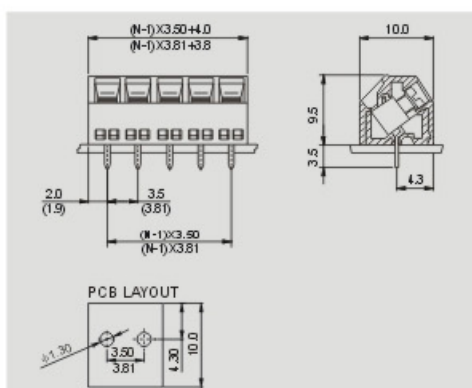
扭力矩	: 0.1Nm(0.89Lb-In.)
环境温度	: -40°C~+105°C
剥线长度	: 4.5mm

※**尺寸**

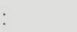
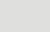
间距	: 2.54mm(.100")
极数	: 2P~20P

※**材质和电镀**

塑件	: PA66,UL94V-0
螺丝	: M1.6,钢,镀Cr ⁺⁺ 钝化彩锌
焊针	: 黄铜,镀锡
方盒	: 黄铜,镀镍



Pitch: 3.5,3.81mm; Poles: 2P3P~24P

APPROVAL :  

※**Electrical**

Standard	: UL	IEC
Rated voltage	: 150V	130V
Rated current	: 10A	10A
Wire range	: 26-16AWG	1.0 mm ²
Withstanding voltage	: AC1250V/1Min	

※**Mechanical**

Torque	: 0.2Nm(1.7Lb-In.)
Ambient temperature	: -40°C~+105°C
Strip length	: 5 mm

※**Dimensions**

Pitch	: 3.5mm(.138") 3.81mm(.150")
Poles	: 2P,3P~24P

※**Material**

Housing	: PA66,UL94V-0
Screws	: M2,steel,Cr ⁺⁺ Zn plated
Pin header	: Phosphor bronze,Tin plated
Cage	: Brass,Ni plated

※**电气性能**

参考标准	: UL	IEC
额定电压	: 150V	130V
额定电流	: 10A	10A
导线线径	: 26-16AWG	1.0mm ²
耐电压	: AC1250V/1Min	

※**机械性能**

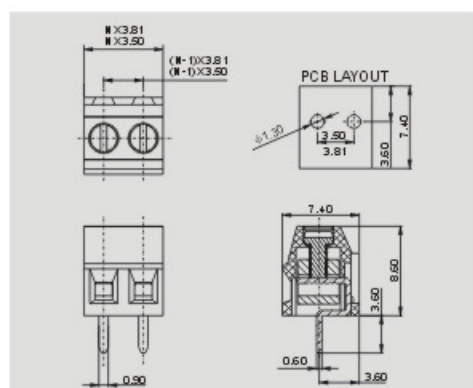
扭力矩	: 0.2Nm(1.7Lb-In.)
环境温度	: -40°C~+105°C
剥线长度	: 5mm

※**尺寸**



间距	: 3.5mm(.138") 3.81mm(.150")
极数	: 2P,3P~24P

※**材质和电镀**

塑件	: PA66,UL94V-0
螺丝	: M2,钢,镀Cr ⁺⁺ 钝化彩锌
焊针	: 磷青铜,镀锡
方盒	: 黄铜,镀镍



Pitch: 3.5,3.81mm; Poles: 2P,3P~24P

APPROVAL :  

※**Electrical**

Standard	: UL	IEC
Rated voltage	: 150V,300V	130V
Rated current	: 10A	10A
Wire range	: 26-16AWG	1.0 mm ²
Withstanding voltage	: AC1250V/1Min	

※**Mechanical**

Torque	: 0.2Nm(1.7Lb-In.)
Ambient temperature	: -40°C~+105°C
Strip length	: 5 mm

※**Dimensions**

Pitch	: 3.5mm(.138") 3.81mm(.150")
Poles	: 2P,3P~24P

※**Material**

Housing	: PA66,UL94V-0
Screws	: M2,steel,Cr ⁺⁺ Zn plated
Pin header	: Phosphor bronze,Tin plated
Cage	: Brass,Ni plated

※**电气性能**

参考标准	: UL	IEC
额定电压	: 150V,300V	130V
额定电流	: 10A	10A
导线线径	: 26-16AWG	1.0mm ²
耐电压	: AC1250V/1Min	

※**机械性能**

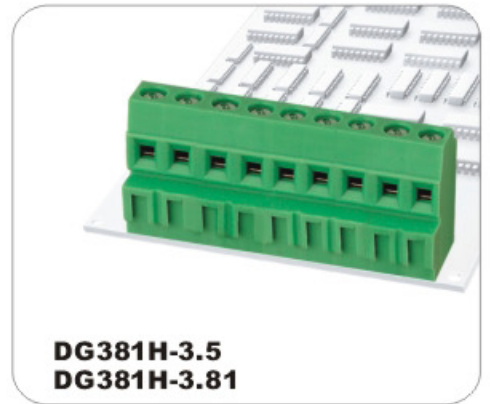
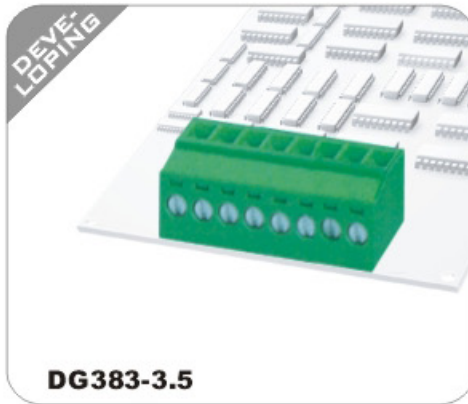
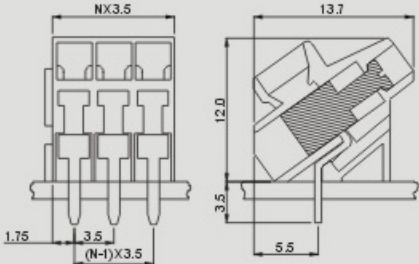
扭力矩	: 0.2Nm(1.7Lb-In.)
环境温度	: -40°C~+105°C
剥线长度	: 5mm

※**尺寸**


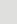
间距	: 3.5mm(.138") 3.81mm(.150")
极数	: 2P,3P~24P

※**材质和电镀**

塑件	: PA66,UL94V-0
螺丝	: M2,钢,镀Cr ⁺⁺ 钝化彩锌
焊针	: 磷青铜,镀锡
方盒	: 黄铜,镀镍

Pitch: 3.5mm; Poles: 2P,3P~24P

APPROVAL :  

※Electrical

Standard	: UL	IEC
Rated voltage	: 250V	160V
Rated current	: 10A	12A
Wire range	: 30-14AWG	1.5mm ²
Withstanding voltage	: AC1250V/1Min	

※Mechanical

Torque	: 0.2Nm(1.7Lb-In.)
Ambient temperature	: -40°C~+105°C
Strip length	: 7mm

※Dimensions

Pitch	: 3.5mm(.138")
Poles	: 2P,3P~24P

※Material

Housing	: PA66,UL94V-0
Screws	: M2,steel,Cr ⁺⁺ Zn plated
Pin header	: Phosphor bronze,Tin plated
Cage	: Brass,Ni plated

※电气性能

参考标准	: UL	IEC
额定电压	: 250V	160V
额定电流	: 10A	12A
导线线径	: 30-14AWG	1.5mm ²
耐电压	: AC1250V/1Min	

※机械性能

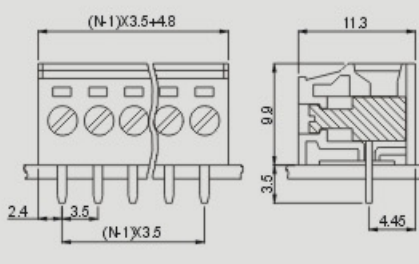
扭力矩	: 0.2Nm(1.7Lb-In.)
环境温度	: -40°C~+105°C
剥线长度	: 7mm

※尺寸


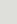
间距	: 3.5mm(.138")
极数	: 2P,3P~24P

※材质和电镀

塑件	: PA66,UL94V-0
螺丝	: M2,钢,镀Cr ⁺⁺ 钝化彩锌
焊针	: 磷青铜,镀锡
方盒	: 黄铜,镀镍



Pitch: 3.5mm; Poles: 2P,3P~24P

APPROVAL :  

※Electrical

Standard	: UL	IEC
Rated voltage	: 250V	160V
Rated current	: 10A	12A
Wire range	: 30-14AWG	1.5mm ²
Withstanding voltage	: AC1250V/1Min	

※Mechanical

Torque	: 0.2Nm(1.7Lb-In.)
Ambient temperature	: -40°C~+105°C
Strip length	: 7mm

※Dimensions

Pitch	: 3.5mm(.138")
Poles	: 2P,3P~24P

※Material

Housing	: PA66,UL94V-0
Screws	: M2,steel,Cr ⁺⁺ Zn plated
Pin header	: Phosphor bronze,Tin plated
Cage	: Brass,Ni plated

※电气性能

参考标准	: UL	IEC
额定电压	: 250V	160V
额定电流	: 10A	12A
导线线径	: 30-14AWG	1.5mm ²
耐电压	: AC1250V/1Min	

※机械性能

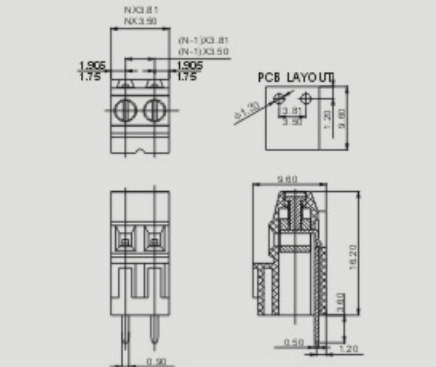
扭力矩	: 0.2Nm(1.7Lb-In.)
环境温度	: -40°C~+105°C
剥线长度	: 7mm

※尺寸



间距	: 3.5mm(.138")
极数	: 2P,3P~24P

※材质和电镀

塑件	: PA66,UL94V-0
螺丝	: M2,钢,镀Cr ⁺⁺ 钝化彩锌
焊针	: 磷青铜,镀锡
方盒	: 黄铜,镀镍



Pitch: 3.5,3.81mm; Poles: 2P,3P~24P

APPROVAL :  

※Electrical

Standard	: UL	IEC
Rated voltage	: 150V	130V
Rated current	: 10A	10A
Wire range	: 26-16AWG	1.0mm ²
Withstanding voltage	: AC1250V/1Min	

※Mechanical

Torque	: 0.2Nm(1.7Lb-In.)
Ambient temperature	: -40°C~+105°C
Strip length	: 5mm

※Dimensions

Pitch	: 3.5mm(.138") 3.81mm(.150")
Poles	: 2P,3P~24P

※Material

Housing	: PA66,UL94V-0
Screws	: M2,steel,Cr ⁺⁺ Zn plated
Pin header	: Phosphor bronze,Tin plated
Cage	: Brass,Ni plated

※电气性能

参考标准	: UL	IEC
额定电压	: 150V	130V
额定电流	: 10A	10A
导线线径	: 26-16AWG	1.0mm ²
耐电压	: AC1250V/1Min	

※机械性能

扭力矩	: 0.2Nm(1.7Lb-In.)
环境温度	: -40°C~+105°C
剥线长度	: 5mm

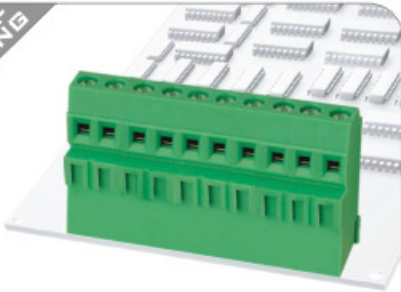
※尺寸

间距	: 3.5mm(.138") 3.81mm(.150")
极数	: 2P,3P~24P

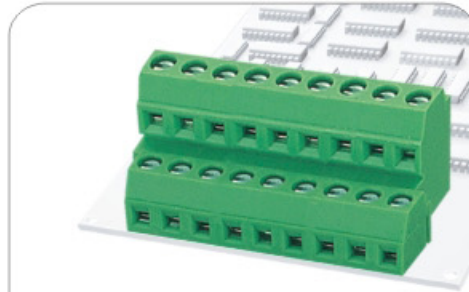
※材质和电镀

塑件	: PA66,UL94V-0
螺丝	: M2,钢,镀Cr ⁺⁺ 钝化彩锌
焊针	: 磷青铜,镀锡
方盒	: 黄铜,镀镍

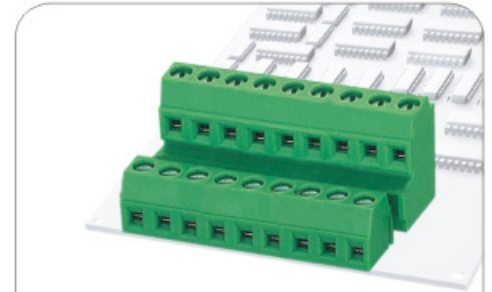
DEVE-
LOPING



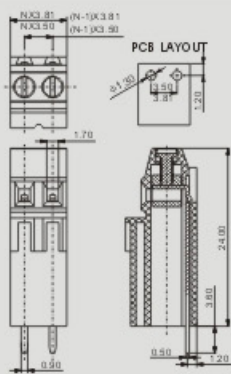
DG381HH-3.5
DG381HH-3.81



DG381A-3.5
DG381A-3.81



DG381B-3.5
DG381B-3.81



Pitch: 3.5, 3.81mm; Poles: 2P, 3P~24P

APPROVAL

※ Electrical		
Standard	UL	IEC
Rated voltage	150V	130V
Rated current	10A	10A
Wire range	26-16AWG	1.0mm ²
Withstanding voltage	AC1250V/1Min	

※ **Mechanical**

Torque	: 0.2Nm(1.7Lb-In.)	
Ambient temperature	: -40°C~+105°C	
Strip length	: 5mm	

※ **Dimensions**

Pitch	: 3.5mm(.138") 3.81mm(.150")	
Poles	: 2P, 3P~24P	

※ **Material**

Housing	: PA66, UL94V-0	
Screws	: M2, steel, Cr ⁺⁺ Zn plated	
Pin header	: Phosphor bronze, Tin plated	
Cage	: Brass, Ni plated	

※ **电气性能**

参考标准	UL	IEC
额定电压	150V	130V
额定电流	10A	10A
导线线径	: 26-16AWG 1.0mm ²	
耐电压	: AC1250V/1Min	

※ **机械性能**

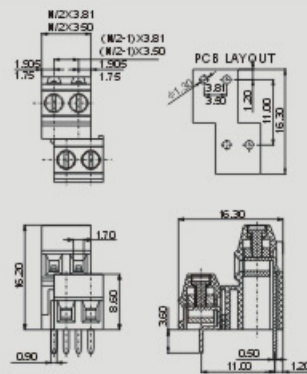
扭力矩	: 0.2Nm(1.7Lb-In.)	
环境温度	: -40°C~+105°C	
剥线长度	: 5mm	

※ **尺寸**

间距	: 3.5mm(.138") 3.81mm(.150")	
极数	: 2P, 3P~24P	

※ **材质和电镀**

塑件	: PA66, UL94V-0	
螺丝	: M2, 钢, 镀Cr ⁺⁺ 钝化彩锌	
焊针	: 磷青铜, 镀锡	
方盒	: 黄铜, 镀镍	



Pitch: 3.5, 3.81mm; Poles: 2*(2P, 3P~24P)

APPROVAL

※ Electrical		
Standard	UL	IEC
Rated voltage	150V	130V
Rated current	10A	10A
Wire range	26-16AWG	1.0mm ²
Withstanding voltage	: AC1250V/1Min	

※ **Mechanical**

Torque	: 0.2Nm(1.7Lb-In.)	
Ambient temperature	: -40°C~+105°C	
Strip length	: 5mm	

※ **Dimensions**

Pitch	: 3.5mm(.138") 3.81mm(.150")	
Poles	: 2*(2P, 3P~24P)	

※ **Material**

Housing	: PA66, UL94V-0	
Screws	: M2, steel, Cr ⁺⁺ Zn plated	
Pin header	: Phosphor bronze, Tin plated	
Cage	: Brass, Ni plated	

※ **电气性能**

参考标准	UL	IEC
额定电压	150V	130V
额定电流	10A	10A
导线线径	: 26-16AWG 1.0mm ²	
耐电压	: AC1250V/1Min	

※ **机械性能**

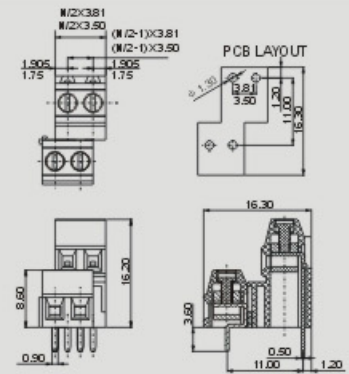
扭力矩	: 0.2Nm(1.7Lb-In.)	
环境温度	: -40°C~+105°C	
剥线长度	: 5mm	

※ **尺寸**

间距	: 3.5mm(.138") 3.81mm(.150")	
极数	: 2*(2P, 3P~24P)	

※ **材质和电镀**

塑件	: PA66, UL94V-0	
螺丝	: M2, 钢, 镀Cr ⁺⁺ 钝化彩锌	
焊针	: 磷青铜, 镀锡	
方盒	: 黄铜, 镀镍	



Pitch: 3.5, 3.81mm; Poles: 2*(2P, 3P~24P)

APPROVAL

※ Electrical		
Standard	UL	IEC
Rated voltage	150V	130V
Rated current	10A	10A
Wire range	26-16AWG	1.0mm ²
Withstanding voltage	: AC1250V/1Min	

※ **Mechanical**

Torque	: 0.2Nm(1.7Lb-In.)	
Ambient temperature	: -40°C~+105°C	
Strip length	: 5mm	

※ **Dimensions**

Pitch	: 3.5mm(.138") 3.81mm(.150")	
Poles	: 2*(2P, 3P~24P)	

※ **Material**

Housing	: PA66, UL94V-0	
Screws	: M2, steel, Cr ⁺⁺ Zn plated	
Pin header	: Phosphor bronze, Tin plated	
Cage	: Brass, Ni plated	

※ **电气性能**

参考标准	UL	IEC
额定电压	150V	130V
额定电流	10A	10A
导线线径	: 26-16AWG 1.0mm ²	
耐电压	: AC1250V/1Min	

※ **机械性能**

扭力矩	: 0.2Nm(1.7Lb-In.)	
环境温度	: -40°C~+105°C	
剥线长度	: 5mm	

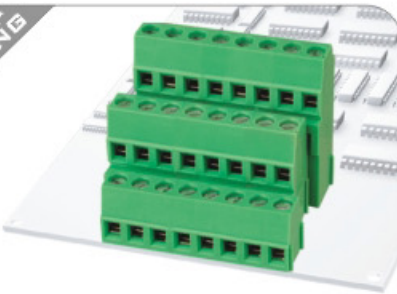
※ **尺寸**

间距	: 3.5mm(.138") 3.81mm(.150")	
极数	: 2*(2P, 3P~24P)	

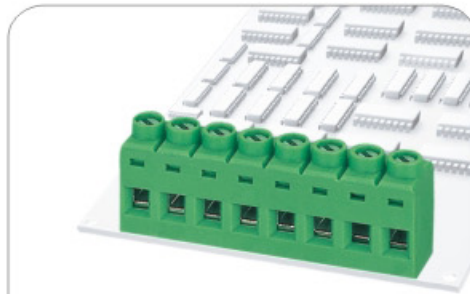
※ **材质和电镀**

塑件	: PA66, UL94V-0	
螺丝	: M2, 钢, 镀Cr ⁺⁺ 钝化彩锌	
焊针	: 磷青铜, 镀锡	
方盒	: 黄铜, 镀镍	

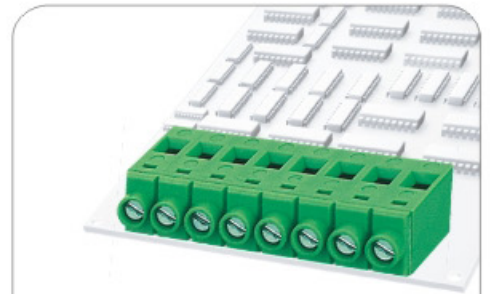
DEVELOPING



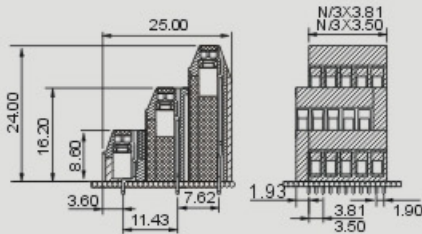
DG381A3-3.5
DG381A3-3.81



DG632-5.0



DG632R-5.0



Pitch: 3.5, 3.81mm; Poles: 3*(2P, 3P~24P)

APPROVAL

※ Electrical		
Standard	: UL	IEC
Rated voltage	: 150V	130V
Rated current	: 10A	10A
Wire range	: 26-16AWG	1.0mm ²
Withstanding voltage	: AC1250V/1Min	

※**Mechanical**

Torque	: 0.2Nm (1.7Lb-In.)
Ambient temperature	: -40°C ~ +105°C
Strip length	: 5mm

※**Dimensions**

Pitch	: 3.5mm (.138") 3.81mm (.150")
Poles	: 3*(2P, 3P~24P)

※**Material**

Housing	: PA66, UL94V-0
Screws	: M2, steel, Cr ⁺⁺ Zn plated
Pin header	: Phosphor bronze, Tin plated
Cage	: Brass, Ni plated

※**电气性能**

参考标准:	UL	IEC
额定电压:	150V	130V
额定电流:	10A	10A
导线线径:	26-16AWG	1.0mm ²
耐电压:	AC1250V/1Min	

※**机械性能**

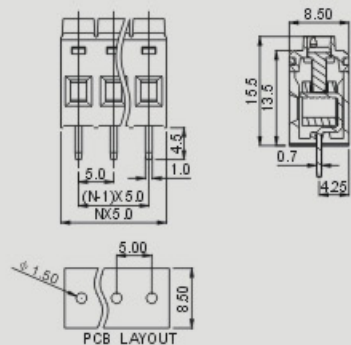
扭力矩:	0.2Nm (1.7Lb-In.)
环境温度:	-40°C ~ +105°C
剥线长度:	5mm

※**尺寸**

间距:	3.5mm (.138") 3.81mm (.150")
极数:	3*(2P, 3P~24P)

※**材质和电镀**

塑件:	PA66, UL94V-0
螺丝:	M2, 钢, 镀Cr ⁺⁺ 钝化彩锌
焊针:	磷青铜, 镀锡
方盒:	黄铜, 镀镍



Pitch: 5.0mm; Poles: 2P~20P

APPROVAL

※ Electrical		
Standard	: UL	IEC
Rated voltage	: 300V	250V
Rated current	: 15A	24A
Wire range	: 28-12AWG	0.5~2.5mm ²
Withstanding voltage	: AC2000V/1Min	

※**Mechanical**

Torque	: 0.4Nm (3.5Lb-In.)
Ambient temperature	: -40°C ~ +105°C
Strip length	: 6-7mm

※**Dimensions**

Pitch	: 5.0mm (.197")
Poles	: 2P~20P

※**Material**

Housing	: PA66, UL94V-0
Screws	: M2.5, steel, Cr ⁺⁺ Zn plated
Pin header	: Brass, Tin plated
Cage	: Brass, Ni plated

※**电气性能**

参考标准:	UL	IEC
额定电压:	300V	250V
额定电流:	15A	24A
导线线径:	28-12AWG	0.5~2.5mm ²
耐电压:	AC2000V/1Min	

※**机械性能**

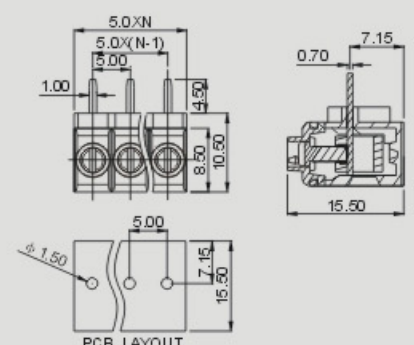
扭力矩:	0.4Nm (3.5Lb-In.)
环境温度:	-40°C ~ +105°C
剥线长度:	6-7mm

※**尺寸**

间距:	5.0mm (.197")
极数:	2P~20P

※**材质和电镀**

塑件:	PA66, UL94V-0
螺丝:	M2.5, 钢, 镀Cr ⁺⁺ 钝化彩锌
焊针:	黄铜, 镀锡
方盒:	黄铜, 镀镍



Pitch: 5.0mm; Poles: 2P~20P

APPROVAL

※ Electrical		
Standard	: UL	IEC
Rated voltage	: 300V	250V
Rated current	: 15A	24A
Wire range	: 28-12AWG	0.5~2.5mm ²
Withstanding voltage	: AC2000V/1Min	

※**Mechanical**

Torque	: 0.4Nm (3.5Lb-In.)
Ambient temperature	: -40°C ~ +105°C
Strip length	: 6-7mm

※**Dimensions**

Pitch	: 5.0mm (.197")
Poles	: 2P~20P

※**Material**

Housing	: PA66, UL94V-0
Screws	: M2.5, steel, Cr ⁺⁺ Zn plated
Pin header	: Brass, Tin plated
Cage	: Brass, Ni plated

※**电气性能**

参考标准:	UL	IEC
额定电压:	300V	250V
额定电流:	15A	24A
导线线径:	28-12AWG	0.5~2.5mm ²
耐电压:	AC2000V/1Min	

※**机械性能**

扭力矩:	0.4Nm (3.5Lb-In.)
环境温度:	-40°C ~ +105°C
剥线长度:	6-7mm

※**尺寸**

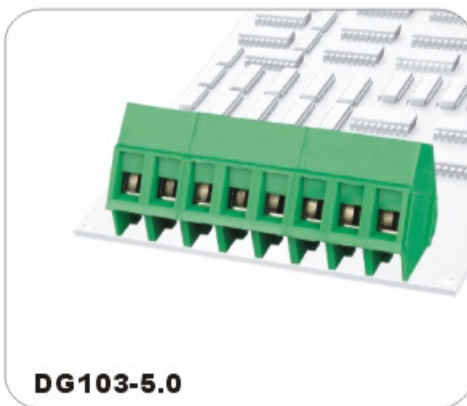
间距:	5.0mm (.197")
极数:	2P~20P

※**材质和电镀**

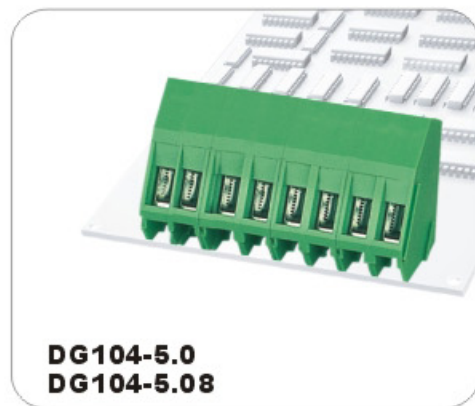
塑件:	PA66, UL94V-0
螺丝:	M2.5, 钢, 镀Cr ⁺⁺ 钝化彩锌
焊针:	黄铜, 镀锡
方盒:	黄铜, 镀镍



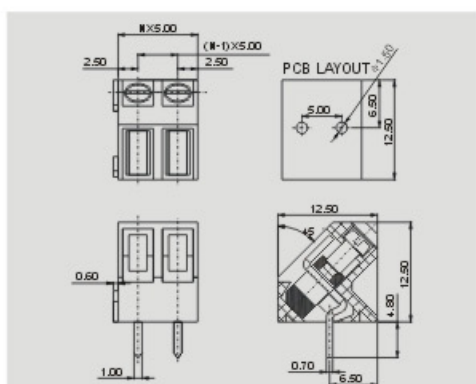
DG330-5.0





DG103-5.0



**DG104-5.0
DG104-5.08**



Pitch: 5.0mm; Poles: 2P,3P~24P

APPROVAL :  
※Electrical
 Standard : UL IEC
 Rated voltage : 300V 250V
 Rated current : 15A 24A
 Wire range : 22-12AWG 2.5mm²
 Withstanding voltage : AC2000V/1Min

※Mechanical
 Torque : 0.4Nm (3.5Lb-In.)
 Ambient temperature : -40°C ~ +105°C
 Strip length : 7mm

※Dimensions
 Pitch : 5.0mm (.197")
 Poles : 2P,3P~24P

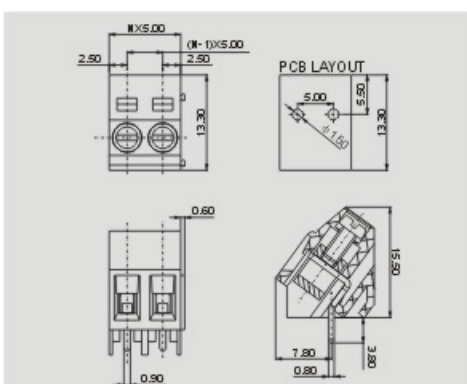
※Material
 Housing : PA66,UL94V-0
 Screws : M2.5,steel,Cr⁺Zn plated
 Pin header : Brass,Tin plated
 Cage : Brass,Ni plated

※电气性能
 参考标准: UL IEC
 额定电压: 300V 250V
 额定电流: 15A 24A
 导线线径: 22-12AWG 2.5mm²
 耐电压: AC2000V/1Min



※机械性能
 扭力矩: 0.4Nm(3.5Lb-In.)
 环境温度: -40°C ~ +105°C
 剥线长度: 7mm

※尺寸
 间距: 5.0mm(.197")
 极数: 2P,3P~24P

※材质和电镀
 塑件: PA66,UL94V-0
 螺丝: M2.5,钢,镀Cr⁺钝化彩锌
 焊针: 黄铜,镀锡
 方盒: 黄铜,镀镍



Pitch: 5.0mm; Poles: 2P,3P~24P

APPROVAL :  
※Electrical
 Standard : UL IEC
 Rated voltage : 300V 250V
 Rated current : 10A 24A
 Wire range : 24-12AWG 2.5mm²
 Withstanding voltage : AC2000V/1Min

※Mechanical
 Torque : 0.4Nm (3.5Lb-In.)
 Ambient temperature : -40°C ~ +105°C
 Strip length : 7mm

※Dimensions
 Pitch : 5.0mm (.197")
 Poles : 2P,3P~24P

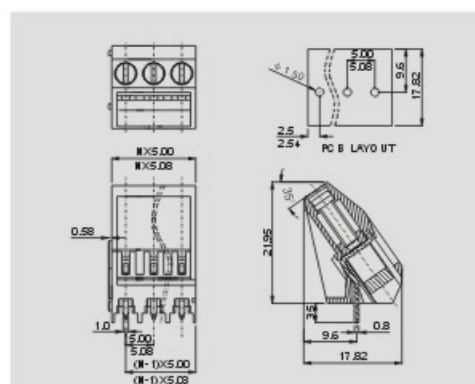
※Material
 Housing : PA66,UL94V-0
 Screws : M2.5,steel,Cr⁺Zn plated
 Pin header : Brass,Tin plated
 Cage : Brass,Ni plated

※电气性能
 参考标准: UL IEC
 额定电压: 300V 250V
 额定电流: 10A 24A
 导线线径: 24-12AWG 2.5mm²
 耐电压: AC2000V/1Min

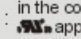

※机械性能
 扭力矩: 0.4Nm(3.5Lb-In.)
 环境温度: -40°C ~ +105°C
 剥线长度: 7mm

※尺寸
 间距: 5.0mm(.197")
 极数: 2P,3P~24P

※材质和电镀
 塑件: PA66,UL94V-0
 螺丝: M2.5,钢,镀Cr⁺钝化彩锌
 焊针: 黄铜,镀锡
 方盒: 黄铜,镀镍



Pitch: 5.0,5.08mm; Poles: 2P,3P~24P

APPROVAL :  
※Electrical
 Standard : UL IEC
 Rated voltage : 300V 250V
 Rated current : 15A 24A
 Wire range : 24-14AWG 0.5-2.5mm²
 Withstanding voltage : AC2000V/1Min

※Mechanical
 Torque : 0.5Nm (4.4Lb-In.)
 Ambient temperature : -40°C ~ +105°C
 Strip length : 7mm

※Dimensions
 Pitch : 5.0mm (.197") 5.08mm (.200")
 Poles : 2P,3P~24P

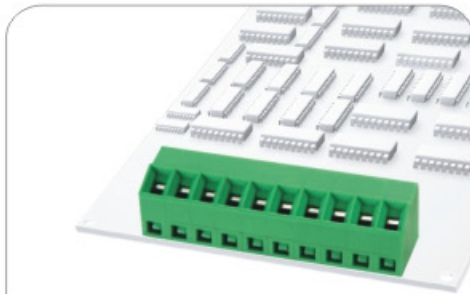
※Material
 Housing : PA66,UL94V-0
 Screws : M3,steel,Cr⁺Zn plated
 Pin header : Brass,Tin plated
 Cage : Brass,Ni plated

※电气性能
 参考标准: UL IEC
 额定电压: 300V 250V
 额定电流: 15A 24A
 导线线径: 24-14AWG 0.5-2.5mm²
 耐电压: AC2000V/1Min

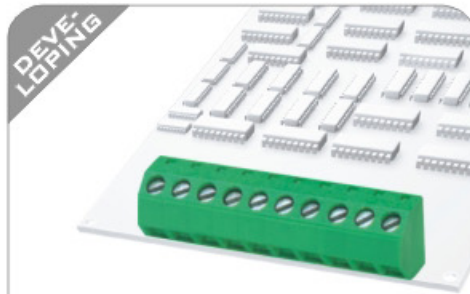
※机械性能
 扭力矩: 0.5Nm(4.4Lb-In.)
 环境温度: -40°C ~ +105°C
 剥线长度: 7mm

※尺寸
 间距: 5.0mm(.197")5.08mm(.200")
 极数: 2P,3P~24P

※材质和电镀
 塑件: PA66,UL94V-0
 螺丝: M3,钢,镀Cr⁺钝化彩锌
 焊针: 黄铜,镀锡
 方盒: 黄铜,镀镍



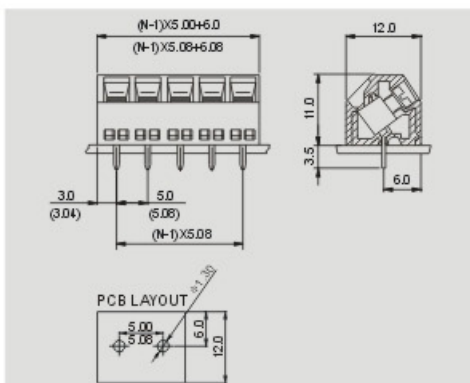
DG127S-5.0
DG127S-5.08



DG127SF-5.08



DG127-5.0 **DG127-7.5**
DG127-5.08 **DG127-7.62**



Pitch: 5.0,5.08mm; Poles: 2P,3P~24P

APPROVAL

※ Electrical		
Standard	: UL	IEC
Rated voltage	: 300V	250V
Rated current	: 12A	15A
Wire range	: 26-16AWG	1.5mm ²
Withstanding voltage	: AC2000V/1Min	

※**Mechanical**

Torque	: 0.4Nm(3.5Lb-In.)
Ambient temperature	: -40°C~+105°C
Strip length	: 6mm

※**Dimensions**

Pitch	: 5.0mm(.197") 5.08mm(.200")
Poles	: 2P,3P~24P

※**Material**

Housing	: PA66,UL94V-0
Screws	: M2.5,steel,Cr ⁺⁺ Zn plated
Pin header	: Brass,Tin plated
Cage	: Brass,Ni plated

※**电气性能**

参考标准:	UL	IEC
额定电压:	300V	250V
额定电流:	12A	15A
导线线径:	26-16AWG	1.5mm ²
耐电压:	AC2000V/1Min	

※**机械性能**

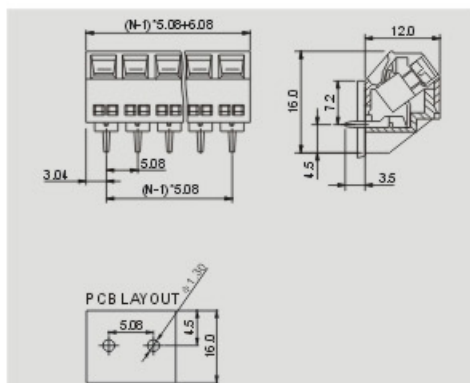
扭力矩:	0.4Nm(3.5Lb-In.)
环境温度:	-40°C~+105°C
剥线长度:	6mm

※**尺寸**

间距:	5.0mm(.197") 5.08mm(.200")
极数:	2P,3P~24P

※**材质和电镀**

塑件:	PA66,UL94V-0
螺丝:	M2.5,钢,镀Cr ⁺⁺ 钝化彩锌
焊针:	黄铜,镀锡
方盒:	黄铜,镀镍



Pitch: 5.08mm; Poles: 2P,3P~24P

APPROVAL

※ Electrical		
Standard	: UL	IEC
Rated voltage	: 300V	250V
Rated current	: 12A	15A
Wire range	: 26-16AWG	1.5mm ²
Withstanding voltage	: AC2000V/1Min	

※**Mechanical**

Torque	: 0.4Nm(3.5Lb-In.)
Ambient temperature	: -40°C~+105°C
Strip length	: 8mm

※**Dimensions**

Pitch	: 5.08mm(.200")
Poles	: 2P,3P~24P

※**Material**

Housing	: PA66,UL94V-0
Screws	: M2.5,steel,Cr ⁺⁺ Zn plated
Pin header	: Brass,Tin plated
Cage	: Brass,Ni plated

※**电气性能**

参考标准:	UL	IEC
额定电压:	300V	250V
额定电流:	12A	15A
导线线径:	26-16AWG	1.5mm ²
耐电压:	AC2000V/1Min	

※**机械性能**

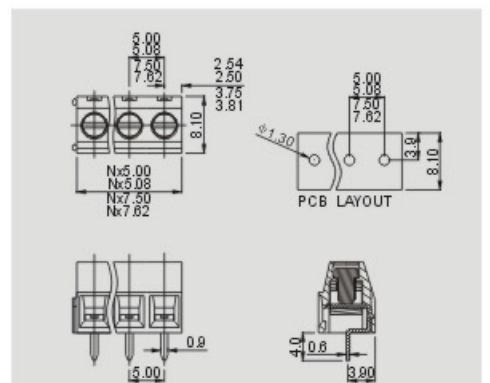
扭力矩:	0.4Nm(3.5Lb-In.)
环境温度:	-40°C~+105°C
剥线长度:	8mm

※**尺寸**

间距:	5.08mm(.200")
极数:	2P,3P~24P

※**材质和电镀**

塑件:	PA66,UL94V-0
螺丝:	M2.5,钢,镀Cr ⁺⁺ 钝化彩锌
焊针:	黄铜,镀锡
方盒:	黄铜,镀镍



Pitch: 5.0,5.08,7.5,7.62mm; Poles: 2P,3P~24P

APPROVAL

※ Electrical				
Standard	: UL	IEC		
Rated voltage	: 300V	250V,450V		
Rated current	: 12A	15A		
Wire range	: 26-14AWG	1.5mm ²		
Withstanding voltage	: AC2000V/1Min			

※**Mechanical**

Torque	: 0.4Nm(3.5Lb-In.)
Ambient temperature	: -40°C~+105°C
Strip length	: 6mm

※**Dimensions**

Pitch	: 5.0mm(.197") 7.5mm(.295")
	5.08mm(.200") 7.62mm(.300")
Poles	: 2P,3P~24P

※**Material**

Housing	: PA66,UL94V-0
Screws	: M2.5,steel,Cr ⁺⁺ Zn plated
Pin header	: Brass,Tin plated
Cage	: Brass,Ni plated

※**电气性能**

参考标准:	UL	IEC
额定电压:	300V	250V,450V
额定电流:	12A	15A
导线线径:	26-14AWG	1.5mm ²
耐电压:	AC2000V/1Min	

※**机械性能**

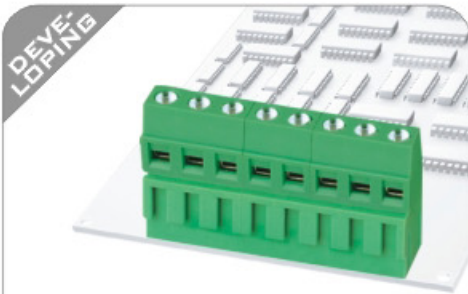
扭力矩:	0.4Nm(3.5Lb-In.)
环境温度:	-40°C~+105°C
剥线长度:	6mm

※**尺寸**

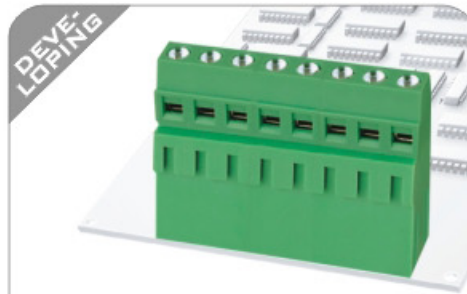
间距:	5.0mm(.197") 7.5mm(.295")
	5.08mm(.200") 7.62mm(.300")
极数:	2P,3P~24P

※**材质和电镀**

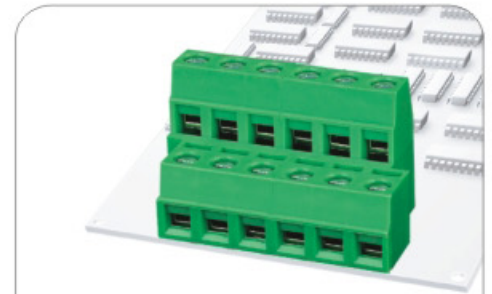
塑件:	PA66,UL94V-0
螺丝:	M2.5,钢,镀Cr ⁺⁺ 钝化彩锌
焊针:	黄铜,镀锡
方盒:	黄铜,镀镍



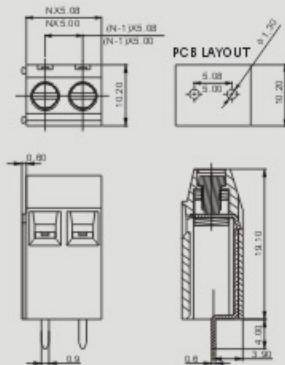
DG127H-5.0
DG127H-5.08



DG127HH-5.0
DG127HH-5.08



DG127A-5.0
DG127A-5.08



Pitch: 5.0,5.08mm; Poles: 2P,3P~24P

APPROVAL

Standard	UL	IEC
Rated voltage	300V	250V
Rated current	12 A	15 A
Wire range	26-14AWG	1.5mm ²
Withstanding voltage	AC2000V/1Min	

※Mechanical

Torque	: 0.4Nm(3.5Lb-In.)
Ambient temperature	: -40°C~ +105°C
Strip length	: 6 mm

※Dimensions

Pitch	: 5.0mm(.197") 5.08mm(.200")
Poles	: 2P,3P~24P

※Material

Housing	: PA66,UL94V-0
Screws	: M2.5,steel,Cr ⁺ Zn plated
Pin header	: Brass,Tin plated
Cage	: Brass,Ni plated

※电气性能

参考标准	UL	IEC
额定电压	300V	250V
额定电流	12A	15A
导线线径	26-14AWG	1.5mm ²
耐电压	AC2000V/1Min	

※机械性能

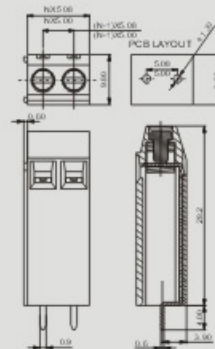
扭力矩	: 0.4Nm(3.5Lb-In.)
环境温度	: -40°C~ +105°C
剥线长度	: 6mm

※尺寸

间距	: 5.0mm(.197") 5.08mm(.200")
极数	: 2P,3P~24P

※材质和电镀

塑件	: PA66,UL94V-0
螺丝	: M2.5,钢,镀Cr ⁺ 钝化彩锌
焊针	: 黄铜,镀锡
方盒	: 黄铜,镀镍



Pitch: 5.0,5.08mm; Poles: 2P,3P~24P

APPROVAL

Standard	UL	IEC
Rated voltage	300V	250V
Rated current	12 A	15 A
Wire range	26-14AWG	1.5mm ²
Withstanding voltage	AC2000V/1Min	

※Mechanical

Torque	: 0.4Nm(3.5Lb-In.)
Ambient temperature	: -40°C~ +105°C
Strip length	: 6 mm

※Dimensions

Pitch	: 5.0mm(.197") 5.08mm(.200")
Poles	: 2P,3P~24P

※Material

Housing	: PA66,UL94V-0
Screws	: M2.5,steel,Cr ⁺ Zn plated
Pin header	: Brass,Tin plated
Cage	: Brass,Ni plated

※电气性能

参考标准	UL	IEC
额定电压	300V	250V
额定电流	12A	15A
导线线径	26-14AWG	1.5mm ²
耐电压	AC2000V/1Min	

※机械性能

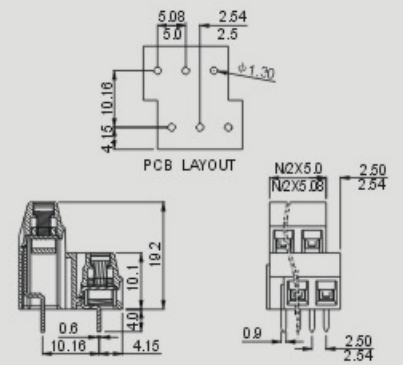
扭力矩	: 0.4Nm(3.5Lb-In.)
环境温度	: -40°C~ +105°C
剥线长度	: 6mm

※尺寸

间距	: 5.0mm(.197") 5.08mm(.200")
极数	: 2P,3P~24P

※材质和电镀

塑件	: PA66,UL94V-0
螺丝	: M2.5,钢,镀Cr ⁺ 钝化彩锌
焊针	: 黄铜,镀锡
方盒	: 黄铜,镀镍



Pitch: 5.0,5.08mm; Poles: 2*(2P,3P~24P)

APPROVAL

Standard	UL	IEC
Rated voltage	300V	250V
Rated current	12 A	15 A
Wire range	26-14AWG	0.5-1.5mm ²
Withstanding voltage	AC2000V/1Min	

※Mechanical

Torque	: 0.4Nm(3.5Lb-In.)
Ambient temperature	: -40°C~ +105°C
Strip length	: 6 mm

※Dimensions

Pitch	: 5.0mm(.197") 5.08mm(.200")
Poles	: 2*(2P,3P~24P)

※Material

Housing	: PA66,UL94V-0
Screws	: M2.5,steel,Cr ⁺ Zn plated
Pin header	: Brass,Tin plated
Cage	: Brass,Ni plated

※电气性能

参考标准	UL	IEC
额定电压	300V	250V
额定电流	12A	15A
导线线径	26-14AWG	0.5-1.5mm ²
耐电压	AC2000V/1Min	

※机械性能

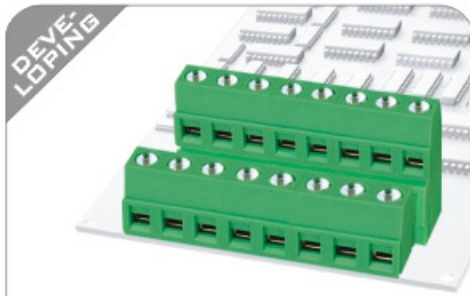
扭力矩	: 0.4Nm(3.5Lb-In.)
环境温度	: -40°C~ +105°C
剥线长度	: 6mm

※尺寸

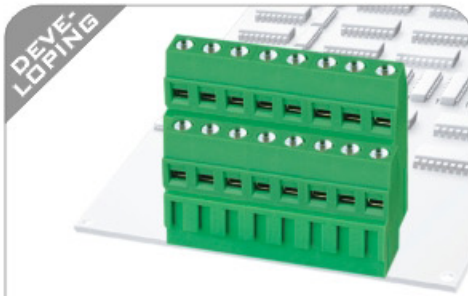
间距	: 5.0mm(.197") 5.08mm(.200")
极数	: 2*(2P,3P~24P)

※材质和电镀

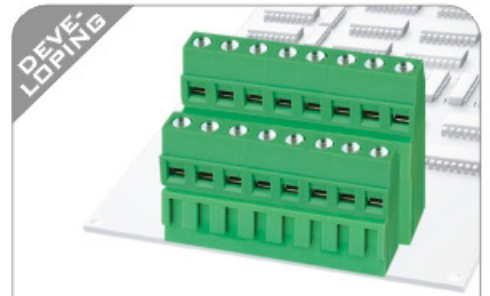
塑件	: PA66,UL94V-0
螺丝	: M2.5,钢,镀Cr ⁺ 钝化彩锌
焊针	: 黄铜,镀锡
方盒	: 黄铜,镀镍



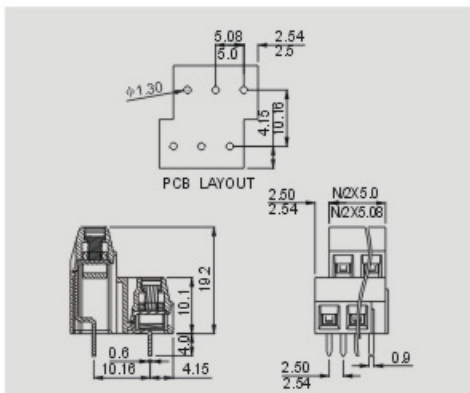
DG127B-5.0
DG127B-5.08



DG127AA-5.0
DG127AA-5.08



DG127BB-5.0
DG127BB-5.08



Pitch: 5.0,5.08mm; Poles: 2*(2P,3P~24P)

APPROVAL

※ Electrical		
Standard	UL	IEC
Rated voltage	300V	250V
Rated current	12 A	15 A
Wire range	26-14AWG	1.5mm ²
Withstanding voltage	AC2000V/1Min	

※ **Mechanical**

Torque	: 0.4Nm(3.5Lb-In.)
Ambient temperature	: -40°C ~ +105°C
Strip length	: 6 mm

※ **Dimensions**

Pitch	: 5.0mm(.197") 5.08mm(.200")
Poles	: 2*(2P,3P~24P)

※ **Material**

Housing	: PA66,UL94V-0
Screws	: M2.5,steel,Cr ³⁺ Zn plated
Pin header	: Brass,Tin plated
Cage	: Brass,Ni plated

※ **电气性能**

参考标准:	UL	IEC
额定电压:	300V	250V
额定电流:	12A	15A
导线线径:	26-14AWG	1.5mm ²
耐电压:	AC2000V/1Min	

※ **机械性能**

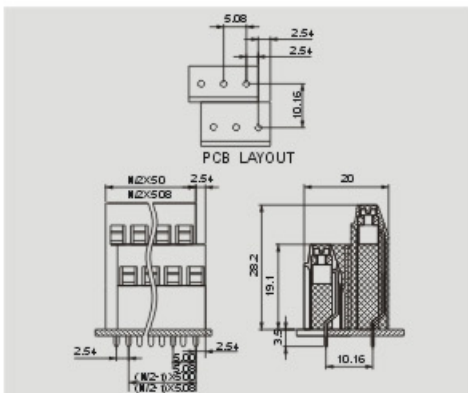
扭力矩:	0.4Nm(3.5Lb-In.)
环境温度:	-40°C ~ +105°C
剥线长度:	6mm

※ **尺寸**

间距:	5.0mm(.197") 5.08mm(.200")
极数:	2*(2P,3P~24P)

※ **材质和电镀**

塑件:	PA66,UL94V-0
螺丝:	M2.5,钢,镀Cr ³⁺ 钝化彩锌
焊针:	黄铜,镀锡
方盒:	黄铜,镀镍



Pitch: 5.0,5.08mm; Poles: 2*(2P,3P~24P)

APPROVAL

※ Electrical		
Standard	UL	IEC
Rated voltage	300V	250V
Rated current	12 A	15 A
Wire range	26-14AWG	1.5mm ²
Withstanding voltage	AC2000V/1Min	

※ **Mechanical**

Torque	: 0.4Nm(3.5Lb-In.)
Ambient temperature	: -40°C ~ +105°C
Strip length	: 6 mm

※ **Dimensions**

Pitch	: 5.0mm(.197") 5.08mm(.200")
Poles	: 2*(2P,3P~24P)

※ **Material**

Housing	: PA66,UL94V-0
Screws	: M2.5,steel,Cr ³⁺ Zn plated
Pin header	: Brass,Tin plated
Cage	: Brass,Ni plated

※ **电气性能**

参考标准:	UL	IEC
额定电压:	300V	250V
额定电流:	12A	15A
导线线径:	26-14AWG	1.5mm ²
耐电压:	AC2000V/1Min	

※ **机械性能**

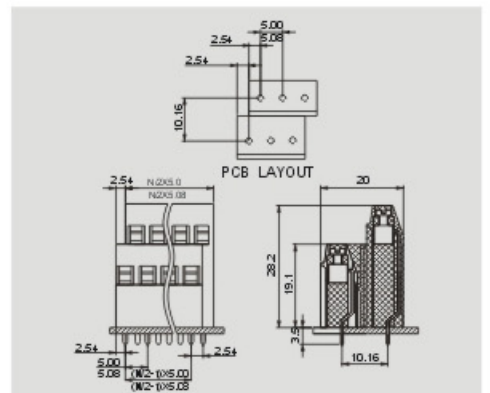
扭力矩:	0.4Nm(3.5Lb-In.)
环境温度:	-40°C ~ +105°C
剥线长度:	6mm

※ **尺寸**

间距:	5.0mm(.197") 5.08mm(.200")
极数:	2*(2P,3P~24P)

※ **材质和电镀**

塑件:	PA66,UL94V-0
螺丝:	M2.5,钢,镀Cr ³⁺ 钝化彩锌
焊针:	黄铜,镀锡
方盒:	黄铜,镀镍



Pitch: 5.0,5.08mm; Poles: 2*(2P,3P~24P)

APPROVAL

※ Electrical		
Standard	UL	IEC
Rated voltage	300V	250V
Rated current	12 A	15 A
Wire range	26-14AWG	1.5mm ²
Withstanding voltage	AC2000V/1Min	

※ **Mechanical**

Torque	: 0.4 Nm(3.5Lb-In.)
Ambient temperature	: -40°C ~ +105°C
Strip length	: 6 mm

※ **Dimensions**

Pitch	: 5.0mm(.197") 5.08mm(.200")
Poles	: 2*(2P,3P~24P)

※ **Material**

Housing	: PA66,UL94V-0
Screws	: M2.5,steel,Cr ³⁺ Zn plated
Pin header	: Brass,Tin plated
Cage	: Brass,Ni plated

※ **电气性能**

参考标准:	UL	IEC
额定电压:	300V	250V
额定电流:	12A	15A
导线线径:	26-14AWG	1.5mm ²
耐电压:	AC2000V/1Min	

※ **机械性能**

扭力矩:	0.4Nm(3.5Lb-In.)
环境温度:	-40°C ~ +105°C
剥线长度:	6mm

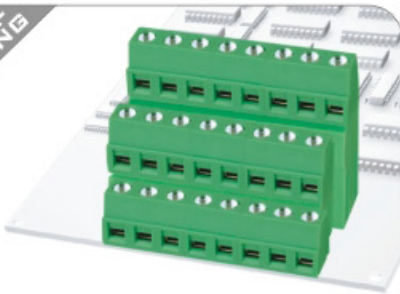
※ **尺寸**

间距:	5.0mm(.197") 5.08mm(.200")
极数:	2*(2P,3P~24P)

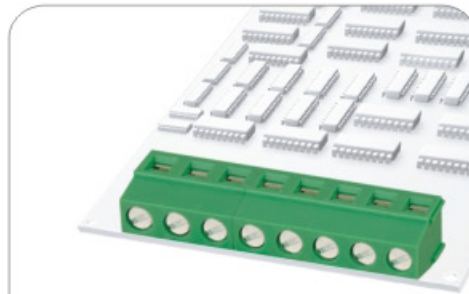
※ **材质和电镀**

塑件:	PA66,UL94V-0
螺丝:	M2.5,钢,镀Cr ³⁺ 钝化彩锌
焊针:	黄铜,镀锡
方盒:	黄铜,镀镍

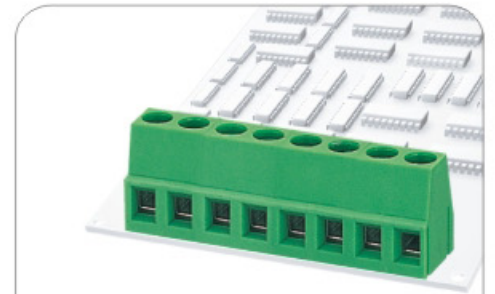
DEVE-
LOPING



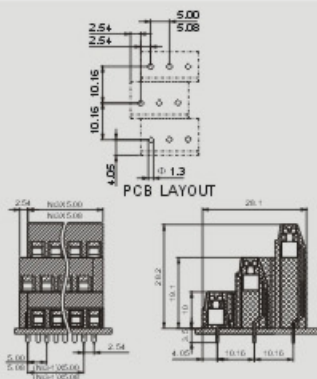
DG127A3-5.0
DG127A3-5.08



DG127R-5.0
DG127R-5.08



DG128-5.0
DG128-7.5



Pitch: 5.0, 5.08mm; Poles: 3*(2P, 3P~24P)

APPROVAL :
※Electrical
 Standard : UL IEC
 Rated voltage : 300V 250V
 Rated current : 12 A 15 A
 Wire range : 26-14AWG 1.5mm²
 Withstanding voltage : AC2000V/1Min

※Mechanical
 Torque : 0.4Nm (3.5Lb-In.)
 Ambient temperature : -40°C ~ +105°C
 Strip length : 6 mm

※Dimensions
 Pitch : 5.0mm (.197") 5.08mm (.200")
 Poles : 3*(2P, 3P~24P)

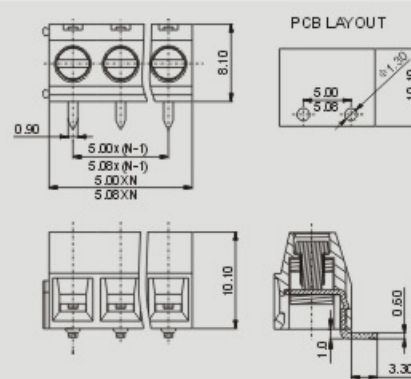
※Material
 Housing : PA66, UL94V-0
 Screws : M2.5, steel, Cr³⁺Zn plated
 Pin header : Brass, Tin plated
 Cage : Brass, Ni plated

※电气性能
 参考标准: UL IEC
 额定电压: 300V 250V
 额定电流: 12A 15A
 导线线径: 26-14AWG 1.5mm²
 耐电压: AC2000V/1Min


※机械性能
 扭力矩: 0.4Nm (3.5Lb-In.)
 环境温度: -40°C ~ +105°C
 剥线长度: 6mm

※尺寸
 间距: 5.0mm (.197") 5.08mm (.200")
 极数: 3*(2P, 3P~24P)

※材质和电镀
 塑件: PA66, UL94V-0
 螺丝: M2.5, 钢, 镀Cr³⁺钝化彩锌
 焊针: 黄铜, 镀锡
 方盒: 黄铜, 镀镍



Pitch: 5.0, 5.08mm; Poles: 2P, 3P~24P

APPROVAL : 
※Electrical
 Standard : UL IEC
 Rated voltage : 300V 250V
 Rated current : 12 A 15 A
 Wire range : 26-14AWG 1.5mm²
 Withstanding voltage : AC2000V/1Min

※Mechanical
 Torque : 0.4Nm (3.5Lb-In.)
 Ambient temperature : -40°C ~ +105°C
 Strip length : 6 mm

※Dimensions
 Pitch : 5.0mm (.197") 5.08mm (.200")
 Poles : 2P, 3P~24P

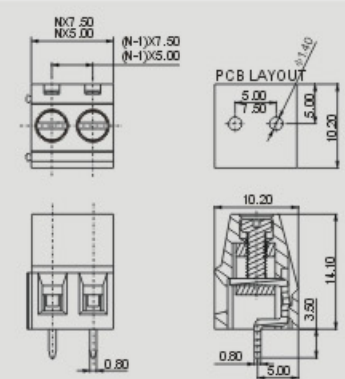
※Material
 Housing : PA66, UL94V-0
 Screws : M2.5, steel, Cr³⁺Zn plated
 Pin header : Brass, Tin plated
 Cage : Brass, Ni plated

※电气性能
 参考标准: UL IEC
 额定电压: 300V 250V
 额定电流: 12A 15A
 导线线径: 26-14AWG 1.5mm²
 耐电压: AC2000V/1Min


※机械性能
 扭力矩: 0.4Nm (3.5Lb-In.)
 环境温度: -40°C ~ +105°C
 剥线长度: 6mm

※尺寸
 间距: 5.0mm (.197") 5.08mm (.200")
 极数: 2P, 3P~24P

※材质和电镀
 塑件: PA66, UL94V-0
 螺丝: M2.5, 钢, 镀Cr³⁺钝化彩锌
 焊针: 黄铜, 镀锡
 方盒: 黄铜, 镀镍



Pitch: 5.0, 7.5mm; Poles: 2P, 3P~24P

APPROVAL : 
※Electrical
 Standard : UL IEC
 Rated voltage : 300V 250V
 Rated current : 10 A 18 A
 Wire range : 24-12AWG 2.5mm²
 Withstanding voltage : AC2000V/1Min

※Mechanical
 Torque : 0.4Nm (3.5Lb-In.)
 Ambient temperature : -40°C ~ +105°C
 Strip length : 7 mm

※Dimensions
 Pitch : 5.0mm (.197") 7.5mm (.295")
 Poles : 2P, 3P~24P

※Material
 Housing : PA66, UL94V-0
 Screws : M2.5, steel, Cr³⁺Zn plated
 Pin header : Brass, Tin plated
 Cage : Brass, Ni plated

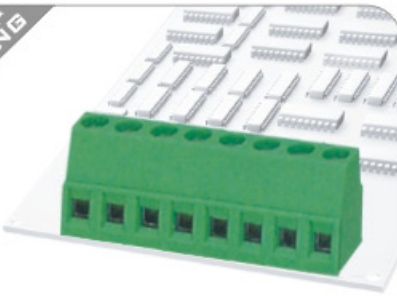
※电气性能
 参考标准: UL IEC
 额定电压: 300V 250V
 额定电流: 10A 18A
 导线线径: 24-12AWG 2.5mm²
 耐电压: AC2000V/1Min

※机械性能
 扭力矩: 0.4Nm (3.5Lb-In.)
 环境温度: -40°C ~ +105°C
 剥线长度: 7mm

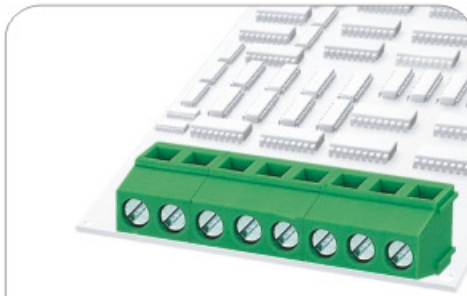
※尺寸
 间距: 5.0mm (.197") 7.5mm (.295")
 极数: 2P, 3P~24P

※材质和电镀
 塑件: PA66, UL94V-0
 螺丝: M2.5, 钢, 镀Cr³⁺钝化彩锌
 焊针: 黄铜, 镀锡
 方盒: 黄铜, 镀镍

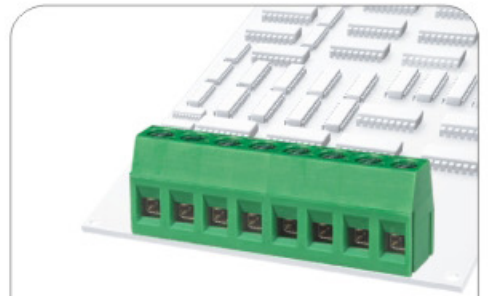
DEVE-LOPING



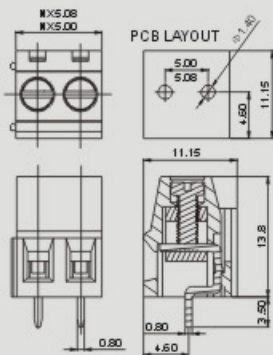
DG128W-5.0
DG128W-5.08



DG128R-5.0
DG128R-7.5



DG125-5.0



Pitch: 5.0, 5.08mm; Poles: 2P, 3P~24P

APPROVAL

※ Electrical	UL	IEC
Standard	300V	250V
Rated voltage	10A	18A
Rated current	24-12AWG	2.5mm ²
Wire range	Withstanding voltage: AC2000V/1Min	

※**Mechanical**

Torque	0.4Nm(3.5Lb-In.)	
Ambient temperature	-40°C~+105°C	
Strip length	7mm	

※**Dimensions**

Pitch	5.0mm(.197")	5.08mm(.200")
Poles	2P, 3P~24P	

※**Material**

Housing	PA66, UL94V-0
Screws	M2.5, steel, Cr ⁺ Zn plated
Pin header	Brass, Tin plated
Cage	Brass, Ni plated

※**电气性能**

参考标准	UL	IEC
额定电压	300V	250V
额定电流	10A	18A
导线线径	24-12AWG	2.5mm ²
耐电压	AC2000V/1Min	

※**机械性能**

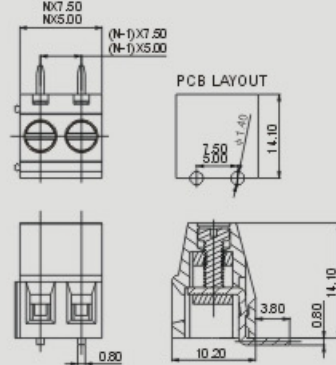
扭力矩	0.4Nm(3.5Lb-In.)	
环境温度	-40°C~+105°C	
剥线长度	7mm	

※**尺寸**

间距	5.0mm(.197")	5.08mm(.200")
极数	2P, 3P~24P	

※**材质和电镀**

塑件	PA66, UL94V-0
螺丝	M2.5, 钢, 镀Cr ⁺ 钝化彩锌
焊针	黄铜, 镀锡
方盒	黄铜, 镀镍



Pitch: 5.0, 7.5mm; Poles: 2P, 3P~24P

APPROVAL

※ Electrical	UL	IEC
Standard	300V	250V, 450V
Rated voltage	10A	18A
Rated current	24-12AWG	2.5mm ²
Wire range	Withstanding voltage: AC2000V/1Min	

※**Mechanical**

Torque	0.4Nm(3.5Lb-In.)	
Ambient temperature	-40°C~+105°C	
Strip length	7mm	

※**Dimensions**

Pitch	5.0mm(.197")	7.5mm(.295")
Poles	2P, 3P~24P	

※**Material**

Housing	PA66, UL94V-0
Screws	M2.5, steel, Cr ⁺ Zn plated
Pin header	Brass, Tin plated
Cage	Brass, Ni plated

※**电气性能**

参考标准	UL	IEC
额定电压	300V	250V, 450V
额定电流	10A	18A
导线线径	24-12AWG	2.5mm ²
耐电压	AC2000V/1Min	

※**机械性能**

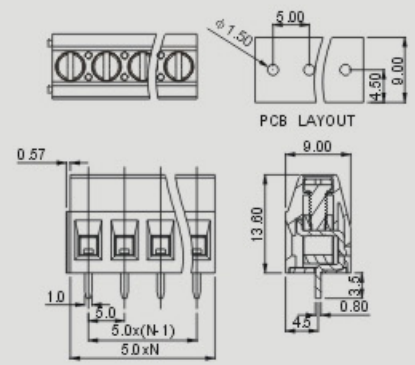
扭力矩	0.4Nm(3.5Lb-In.)	
环境温度	-40°C~+105°C	
剥线长度	7mm	

※**尺寸**

间距	5.0mm(.197")	7.5mm(.295")
极数	2P, 3P~24P	

※**材质和电镀**

塑件	PA66, UL94V-0
螺丝	M2.5, 钢, 镀Cr ⁺ 钝化彩锌
焊针	黄铜, 镀锡
方盒	黄铜, 镀镍



Pitch: 5.0mm; Poles: 2P, 3P~24P

APPROVAL

※ Electrical	UL	IEC
Standard	300V	250V
Rated voltage	10A	18A
Rated current	24-12AWG	0.5-2.5mm ²
Wire range	Withstanding voltage: AC2000V/1Min	

※**Mechanical**

Torque	0.4Nm(3.5Lb-In.)	
Ambient temperature	-40°C~+105°C	
Strip length	7mm	

※**Dimensions**

Pitch	5.0mm(.197")	
Poles	2P, 3P~24P	

※**Material**

Housing	PA66, UL94V-0
Screws	M2.5, steel, Cr ⁺ Zn plated
Pin header	Brass, Tin plated
Cage	Brass, Ni plated

※**电气性能**

参考标准	UL	IEC
额定电压	300V	250V
额定电流	10A	18A
导线线径	24-12AWG	0.5-2.5mm ²
耐电压	AC2000V/1Min	

※**机械性能**

扭力矩	0.4Nm(3.5Lb-In.)	
环境温度	-40°C~+105°C	
剥线长度	7mm	

※**尺寸**

间距	5.0mm(.197")	
极数	2P, 3P~24P	

※**材质和电镀**

塑件	PA66, UL94V-0
螺丝	M2.5, 钢, 镀Cr ⁺ 钝化彩锌
焊针	黄铜, 镀锡
方盒	黄铜, 镀镍



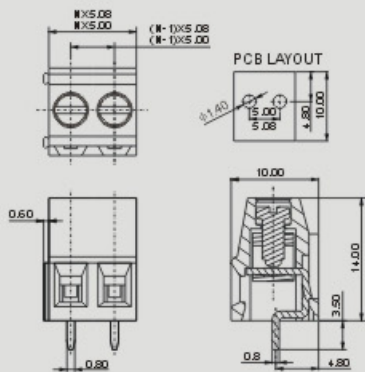
DG500-5.0
DG500-5.08




DG501-5.0



DG502-5.08



Pitch: 5.0,5.08mm; Poles: 2P,3P~24P

APPROVAL : 
※Electrical
 Standard : UL IEC
 Rated voltage : 300V 250V
 Rated current : 10A 18A
 Wire range : 24-12AWG 2.5mm²
 Withstanding voltage : AC2000V/1Min

※Mechanical
 Torque : 0.4Nm(3.5Lb-In.)
 Ambient temperature : -40°C~+105°C
 Strip length : 7mm

※Dimensions
 Pitch : 5.0mm(.197")5.08mm(.200")
 Poles : 2P,3P~24P

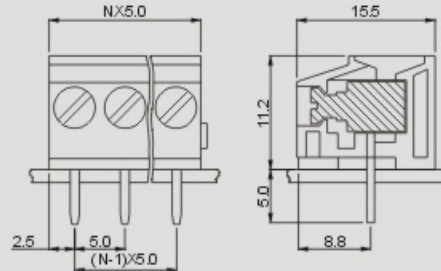
※Material
 Housing : PA66,UL94V-0
 Screws : M2.5,steel,Cr⁺Znplated
 Pin header : Brass,Tin plated
 Cage : Brass,Ni plated

※电气性能
 参考标准: UL IEC
 额定电压: 300V 250V
 额定电流: 10A 18A
 导线线径: 24-12AWG 2.5mm²
 耐电压: AC2000V/1Min

※机械性能
 扭力矩: 0.4Nm(3.5Lb-In.)
 环境温度: -40°C~+105°C
 剥线长度: 7mm

※尺寸
 间距: 5.0mm(.197")5.08mm(.200")
 极数: 2P,3P~24P

※材质和电镀
 塑件: PA66,UL94V-0
 螺丝: M2.5,钢,镀Cr⁺钝化彩锌
 焊针: 黄铜,镀锡
 方盒: 黄铜,镀镍



Pitch: 5.0mm; Poles: 2P,3P~24P

APPROVAL :
※Electrical
 Standard : UL IEC
 Rated voltage : 300V 250V
 Rated current : 10A 18A
 Wire range : 24-12AWG 2.5mm²
 Withstanding voltage : AC2000V/1Min

※Mechanical
 Torque : 0.4Nm(3.5Lb-In.)
 Ambient temperature : -40°C~+105°C
 Strip length : 7mm

※Dimensions
 Pitch : 5.0mm(.197")
 Poles : 2P,3P~24P

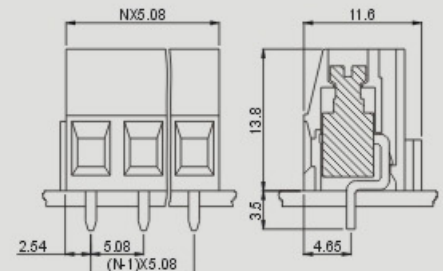
※Material
 Housing : PA66,UL94V-0
 Screws : M2.5,steel,Cr⁺Znplated
 Pin header : Brass,Tin plated
 Cage : Brass,Ni plated

※电气性能
 参考标准: UL IEC
 额定电压: 300V 250V
 额定电流: 10A 18A
 导线线径: 24-12AWG 2.5mm²
 耐电压: AC2000V/1Min

※机械性能
 扭力矩: 0.4Nm(3.5Lb-In.)
 环境温度: -40°C~+105°C
 剥线长度: 7mm

※尺寸
 间距: 5.0mm(.197")
 极数: 2P,3P~24P

※材质和电镀
 塑件: PA66,UL94V-0
 螺丝: M2.5,钢,镀Cr⁺钝化彩锌
 焊针: 黄铜,镀锡
 方盒: 黄铜,镀镍



Pitch: 5.08mm; Poles: 2P,3P~24P

APPROVAL :
※Electrical
 Standard : UL IEC
 Rated voltage : 300V 250V
 Rated current : 10A 18A
 Wire range : 24-12AWG 2.5mm²
 Withstanding voltage : AC2000V/1Min

※Mechanical
 Torque : 0.4Nm(3.5Lb-In.)
 Ambient temperature : -40°C~+105°C
 Strip length : 7mm

※Dimensions
 Pitch : 5.08mm(.200")
 Poles : 2P,3P~24P

※Material
 Housing : PA66,UL94V-0
 Screws : M2.5,steel,Cr⁺Znplated
 Pin header : Brass,Tin plated
 Cage : Brass,Ni plated

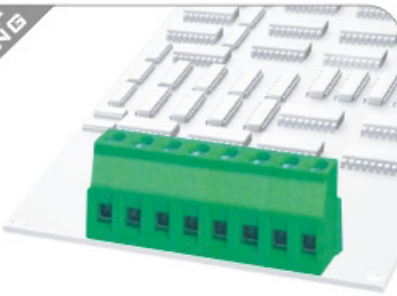
※电气性能
 参考标准: UL IEC
 额定电压: 300V 250V
 额定电流: 10A 18A
 导线线径: 24-12AWG 2.5mm²
 耐电压: AC2000V/1Min

※机械性能
 扭力矩: 0.4Nm(3.5Lb-In.)
 环境温度: -40°C~+105°C
 剥线长度: 7mm

※尺寸
 间距: 5.08mm(.200")
 极数: 2P,3P~24P

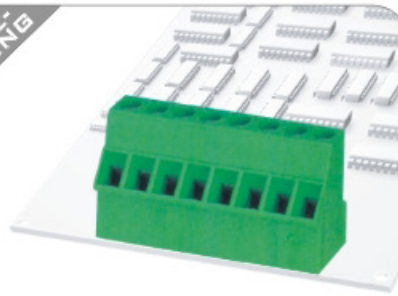
※材质和电镀
 塑件: PA66,UL94V-0
 螺丝: M2.5,钢,镀Cr⁺钝化彩锌
 焊针: 黄铜,镀锡
 方盒: 黄铜,镀镍

DEVE-LOPING

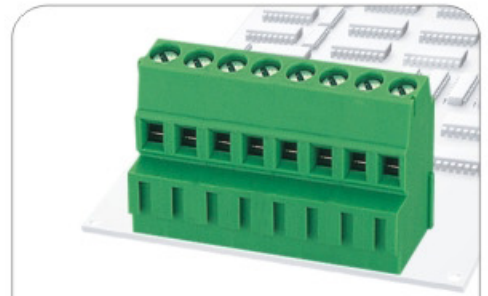


DG503-5.0
DG503-5.08

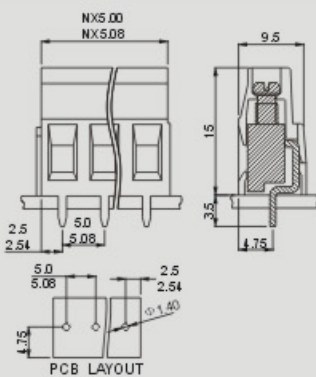
DEVE-LOPING



DG504-5.08



DG500H-5.0
DG500H-5.08



Pitch: 5.0,5.08mm; Poles: 2P,3P~24P

APPROVAL

Standard	: UL	IEC
Rated voltage	: 300V	250V
Rated current	: 10A	18A
Wire range	: 24-12AWG	2.5mm ²
Withstanding voltage	: AC2000V/1Min	

※Mechanical

Torque	: 0.4Nm(3.5Lb-In.)
Ambient temperature	: -40°C~+105°C
Strip length	: 7 mm

※Dimensions

Pitch	: 5.0mm(.197")5.08mm(.200")
Poles	: 2P,3P~24P

※Material

Housing	: PA66,UL94V-0
Screws	: M2.5,steel,Cr ⁺⁺ Zn plated
Pin header	: Brass,Tin plated
Cage	: Brass,Ni plated

※电气性能

参考标准	UL	IEC
额定电压	300V	250V
额定电流	10A	18A
导线线径	24-12AWG	2.5mm ²
耐电压	AC2000V/1Min	

※机械性能

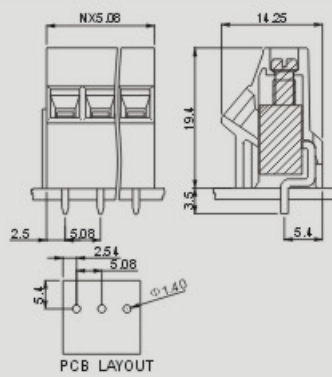
扭力矩	0.4Nm(3.5Lb-In.)
环境温度	-40°C~+105°C
剥线长度	7mm

※尺寸

间距	: 5.0mm(.197")5.08mm(.200")
极数	: 2P,3P~24P

※材质和电镀

塑件	: PA66,UL94V-0
螺丝	: M2.5,钢,镀Cr ⁺⁺ 钝化彩锌
焊针	: 黄铜,镀锡
方盒	: 黄铜,镀镍



Pitch: 5.08mm; Poles: 2P,3P~24P

APPROVAL

Standard	: UL	IEC
Rated voltage	: 300V	250V
Rated current	: 10A	18A
Wire range	: 24-12AWG	2.5mm ²
Withstanding voltage	: AC2000V/1Min	

※Mechanical

Torque	: 0.4Nm(3.5Lb-In.)
Ambient temperature	: -40°C~+105°C
Strip length	: 7 mm

※Dimensions

Pitch	: 5.08mm(.200")
Poles	: 2P,3P~24P

※Material

Housing	: PA66,UL94V-0
Screws	: M2.5,steel,Cr ⁺⁺ Zn plated
Pin header	: Brass,Tin plated
Cage	: Brass,Ni plated

※电气性能

参考标准	UL	IEC
额定电压	300V	250V
额定电流	10A	18A
导线线径	24-12AWG	2.5mm ²
耐电压	AC2000V/1Min	

※机械性能

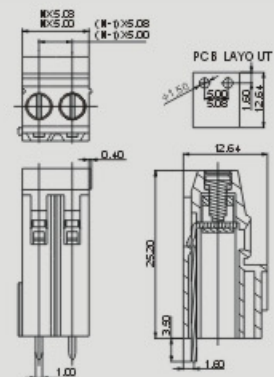
扭力矩	0.4Nm(3.5Lb-In.)
环境温度	-40°C~+105°C
剥线长度	7mm

※尺寸

间距	: 5.08mm(.200")
极数	: 2P,3P~24P

※材质和电镀

塑件	: PA66,UL94V-0
螺丝	: M2.5,钢,镀Cr ⁺⁺ 钝化彩锌
焊针	: 黄铜,镀锡
方盒	: 黄铜,镀镍



Pitch: 5.0,5.08mm; Poles: 2P,3P~24P

APPROVAL

Standard	: UL	IEC
Rated voltage	: 300V	250V
Rated current	: 20A	24A
Wire range	: 28-12AWG	2.5mm ²
Withstanding voltage	: AC2000V/1Min	

※Mechanical

Torque	: 0.4 Nm(3.5Lb-In.)
Ambient temperature	: -40°C~+105°C
Strip length	: 7 mm

※Dimensions

Pitch	: 5.0mm(.197")5.08mm(.200")
Poles	: 2P,3P~24P

※Material

Housing	: PA66,UL94V-0
Screws	: M2.5,steel,Cr ⁺⁺ Zn plated
Pin header	: Brass,Tin plated
Cage	: Brass,Ni plated

※电气性能

参考标准	UL	IEC
额定电压	300V	250V
额定电流	20A	24A
导线线径	28-12AWG	2.5mm ²
耐电压	AC2000V/1Min	

※机械性能

扭力矩	0.4Nm(3.5Lb-In.)
环境温度	-40°C~+105°C
剥线长度	7mm

※尺寸

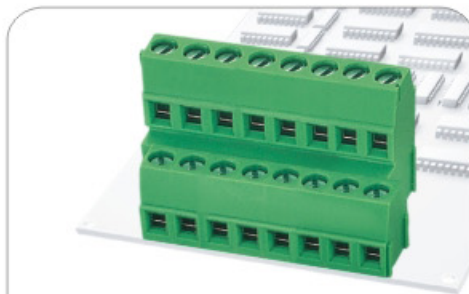
间距	: 5.0mm(.197")5.08mm(.200")
极数	: 2P,3P~24P

※材质和电镀

塑件	: PA66,UL94V-0
螺丝	: M2.5,钢,镀Cr ⁺⁺ 钝化彩锌
焊针	: 黄铜,镀锡
方盒	: 黄铜,镀镍



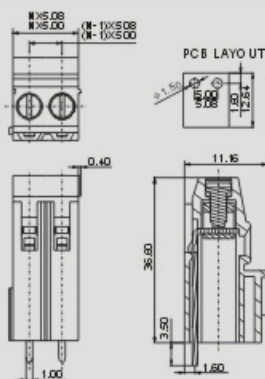
DG500HH-5.0
DG500HH-5.08





DG500A-5.0
DG500A-5.08



DG500B-5.0
DG500B-5.08



Pitch: 5.0,5.08mm; Poles: 2P,3P~24P

APPROVAL :  
※ Electrical
 Standard : UL IEC
 Rated voltage : 300V 250V
 Rated current : 20A 24A
 Wire range : 28-12AWG 2.5mm²
 Withstanding voltage : AC2000V/1Min

※ Mechanical
 Torque : 0.4Nm(3.5Lb-In.)
 Ambient temperature : -40°C ~ +105°C
 Strip length : 7mm

※ Dimensions
 Pitch : 5.0mm(.197")5.08mm(.200")
 Poles : 2P,3P~24P

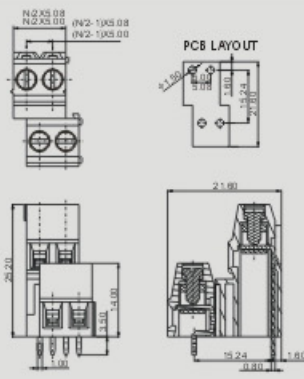
※ Material
 Housing : PA66,UL94V-0
 Screws : M2.5,steel,Cr⁺⁺Zn plated
 Pin header : Brass,Tin plated
 Cage : Brass,Ni plated

※ 电气性能
 参考标准: UL IEC
 额定电压: 300V 250V
 额定电流: 20A 24A
 导线线径: 28-12AWG 2.5mm²
 耐电压: AC2000V/1Min



※ 机械性能
 扭力矩: 0.4Nm(3.5Lb-In.)
 环境温度: -40°C ~ +105°C
 剥线长度: 7mm

※ 尺寸
 间距: 5.0mm(.197")5.08mm(.200")
 极数: 2P,3P~24P

※ 材质和电镀
 塑件: PA66,UL94V-0
 螺丝: M2.5,钢,镀Cr⁺⁺钝化彩锌
 焊针: 黄铜,镀锡
 方盒: 黄铜,镀镍



Pitch: 5.0,5.08mm; Poles: 2*(2P,3P~24P)

APPROVAL :  
※ Electrical
 Standard : UL IEC
 Rated voltage : 300V 250V
 Rated current : 10A 18A
 Wire range : 24-12AWG 2.5mm²
 Withstanding voltage : AC2000V/1Min

※ Mechanical
 Torque : 0.4Nm(3.5Lb-In.)
 Ambient temperature : -40°C ~ +105°C
 Strip length : 7mm

※ Dimensions
 Pitch : 5.0mm(.197")5.08mm(.200")
 Poles : 2*(2P,3P~24P)

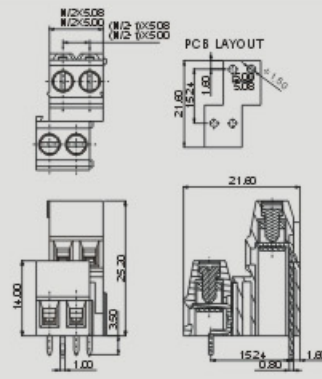
※ Material
 Housing : PA66,UL94V-0
 Screws : M2.5,steel,Cr⁺⁺Zn plated
 Pin header : Brass,Tin plated
 Cage : Brass,Ni plated

※ 电气性能
 参考标准: UL IEC
 额定电压: 300V 250V
 额定电流: 10A 18A
 导线线径: 24-12AWG 2.5mm²
 耐电压: AC2000V/1Min



※ 机械性能
 扭力矩: 0.4Nm(3.5Lb-In.)
 环境温度: -40°C ~ +105°C
 剥线长度: 7mm

※ 尺寸
 间距: 5.0mm(.197")5.08mm(.200")
 极数: 2*(2P,3P~24P)

※ 材质和电镀
 塑件: PA66,UL94V-0
 螺丝: M2.5,钢,镀Cr⁺⁺钝化彩锌
 焊针: 黄铜,镀锡
 方盒: 黄铜,镀镍



Pitch: 5.0,5.08mm; Poles: 2*(2P,3P~24P)

APPROVAL :  
※ Electrical
 Standard : UL IEC
 Rated voltage : 300V 250V
 Rated current : 10A 18A
 Wire range : 24-12AWG 2.5mm²
 Withstanding voltage : AC2000V/1Min

※ Mechanical
 Torque : 0.4Nm(3.5Lb-In.)
 Ambient temperature : -40°C ~ +105°C
 Strip length : 7mm

※ Dimensions
 Pitch : 5.0mm(.197")5.08mm(.200")
 Poles : 2*(2P,3P~24P)

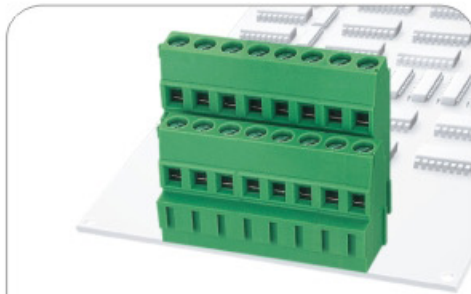
※ Material
 Housing : PA66,UL94V-0
 Screws : M2.5,steel,Cr⁺⁺Zn plated
 Pin header : Brass,Tin plated
 Cage : Brass,Ni plated

※ 电气性能
 参考标准: UL IEC
 额定电压: 300V 250V
 额定电流: 10A 18A
 导线线径: 24-12AWG 2.5mm²
 耐电压: AC2000V/1Min

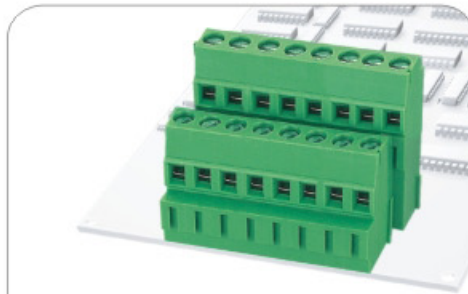
※ 机械性能
 扭力矩: 0.4Nm(3.5Lb-In.)
 环境温度: -40°C ~ +105°C
 剥线长度: 7mm

※ 尺寸
 间距: 5.0mm(.197")5.08mm(.200")
 极数: 2*(2P,3P~24P)

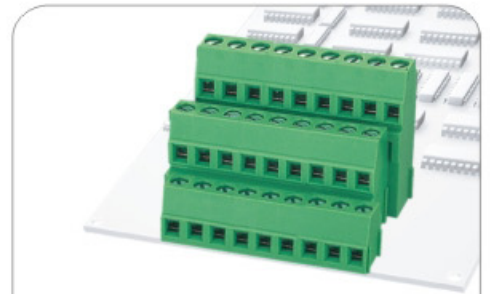
※ 材质和电镀
 塑件: PA66,UL94V-0
 螺丝: M2.5,钢,镀Cr⁺⁺钝化彩锌
 焊针: 黄铜,镀锡
 方盒: 黄铜,镀镍



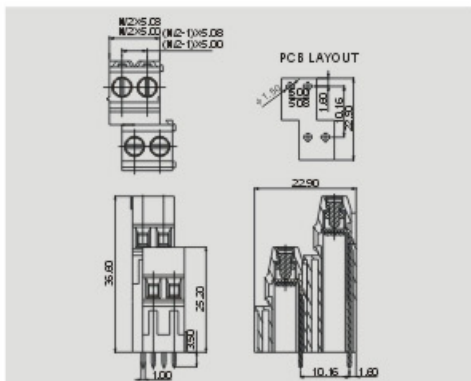
DG500AA-5.0
DG500AA-5.08





DG500BB-5.0
DG500BB-5.08



DG500A3-5.0
DG500A3-5.08



Pitch: 5.0,5.08mm; Poles: 2*(2P,3P~24P)

APPROVAL :  
※Electrical
 Standard : UL IEC
 Rated voltage : 300V 250V
 Rated current : 20A 24A
 Wire range : 28-12AWG 2.5mm²
 Withstanding voltage : AC2000V/1Min

※Mechanical
 Torque : 0.4Nm(3.5Lb-In.)
 Ambient temperature : -40°C ~ +105°C
 Strip length : 7mm

※Dimensions
 Pitch : 5.0mm(.197")5.08mm(.200")
 Poles : 2*(2P,3P~24P)

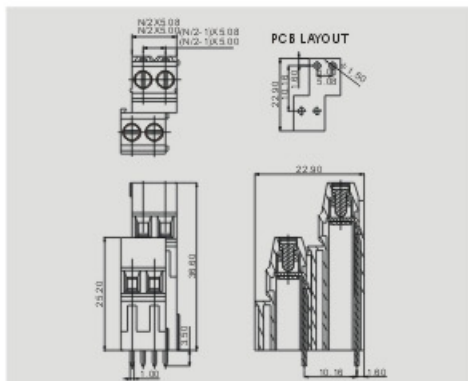
※Material
 Housing : PA66,UL94V-0
 Screws : M2.5,steel,Cr³⁺Zn plated
 Pin header : Brass,Tin plated
 Cage : Brass,Ni plated

※电气性能
 参考标准: UL IEC
 额定电压: 300V 250V
 额定电流: 20A 24A
 导线线径: 28-12AWG 2.5mm²
 耐电压: AC2000V/1Min



※机械性能
 扭力矩: 0.4Nm(3.5Lb-In.)
 环境温度: -40°C ~ +105°C
 剥线长度: 7mm

※尺寸
 间距: 5.0mm(.197")5.08mm(.200")
 极数: 2*(2P,3P~24P)

※材质和电镀
 塑件: PA66,UL94V-0
 螺丝: M2.5,铜,镀Cr³⁺钝化彩锌
 焊针: 黄铜,镀锡
 方盒: 黄铜,镀镍



Pitch: 5.0,5.08mm; Poles: 2*(2P,3P~24P)

APPROVAL :  
※Electrical
 Standard : UL IEC
 Rated voltage : 300V 250V
 Rated current : 20A 24A
 Wire range : 28-12AWG 2.5mm²
 Withstanding voltage : AC2000V/1Min

※Mechanical
 Torque : 0.4Nm(3.5Lb-In.)
 Ambient temperature : -40°C ~ +105°C
 Strip length : 7mm

※Dimensions
 Pitch : 5.0mm(.197")5.08mm(.200")
 Poles : 2*(2P,3P~24P)

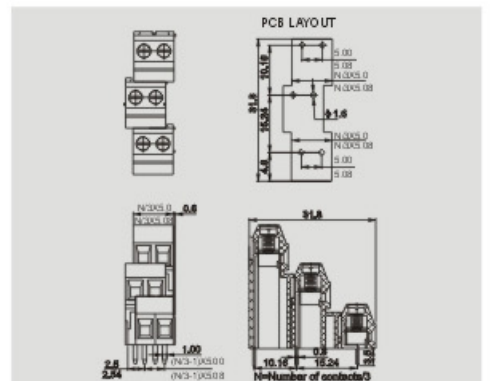
※Material
 Housing : PA66,UL94V-0
 Screws : M2.5,steel,Cr³⁺Zn plated
 Pin header : Brass,Tin plated
 Cage : Brass,Ni plated

※电气性能
 参考标准: UL IEC
 额定电压: 300V 250V
 额定电流: 20A 24A
 导线线径: 28-12AWG 2.5mm²
 耐电压: AC2000V/1Min



※机械性能
 扭力矩: 0.4Nm(3.5Lb-In.)
 环境温度: -40°C ~ +105°C
 剥线长度: 7mm

※尺寸
 间距: 5.0mm(.197")5.08mm(.200")
 极数: 2*(2P,3P~24P)

※材质和电镀
 塑件: PA66,UL94V-0
 螺丝: M2.5,铜,镀Cr³⁺钝化彩锌
 焊针: 黄铜,镀锡
 方盒: 黄铜,镀镍



Pitch: 5.0,5.08mm; Poles: 3*(2P,3P~24P)

APPROVAL :  
※Electrical
 Standard : UL IEC
 Rated voltage : 300V 250V
 Rated current : 10A 18A
 Wire range : 24-12AWG 2.5mm²
 Withstanding voltage : AC2000V/1Min

※Mechanical
 Torque : 0.4Nm(3.5Lb-In.)
 Ambient temperature : -40°C ~ +105°C
 Strip length : 7mm

※Dimensions
 Pitch : 5.0mm(.197")5.08mm(.200")
 Poles : 3*(2P,3P~24P)

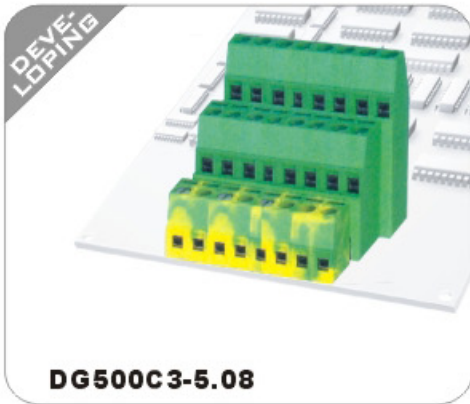
※Material
 Housing : PA66,UL94V-0
 Screws : M2.5,steel,Cr³⁺Zn plated
 Pin header : Brass,Tin plated
 Cage : Brass,Ni plated

※电气性能
 参考标准: UL IEC
 额定电压: 300V 250V
 额定电流: 10A 18A
 导线线径: 24-12AWG 2.5mm²
 耐电压: AC2000V/1Min

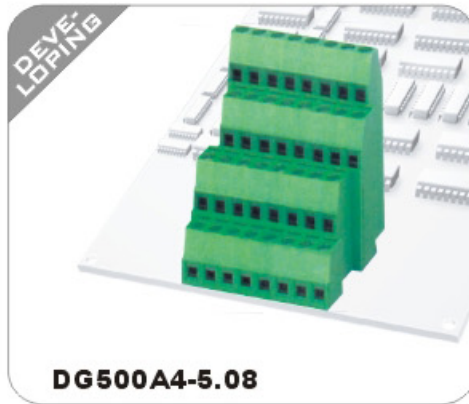
※机械性能
 扭力矩: 0.4Nm(3.5Lb-In.)
 环境温度: -40°C ~ +105°C
 剥线长度: 7mm

※尺寸
 间距: 5.0mm(.197")5.08mm(.200")
 极数: 3*(2P,3P~24P)

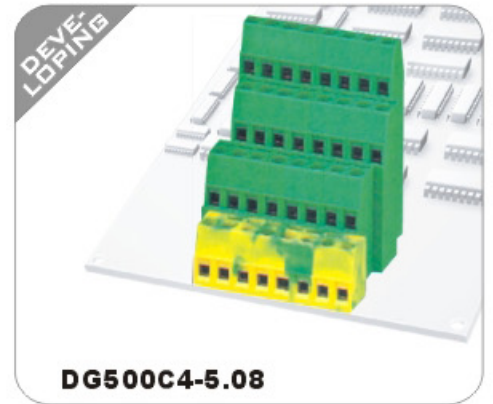
※材质和电镀
 塑件: PA66,UL94V-0
 螺丝: M2.5,铜,镀Cr³⁺钝化彩锌
 焊针: 黄铜,镀锡
 方盒: 黄铜,镀镍



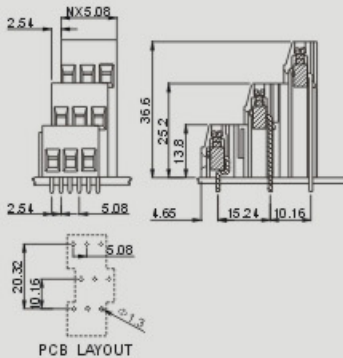
DG500C3-5.08



DG500A4-5.08



DG500C4-5.08



Pitch: 5.08mm; Poles: 3*(2P,3P~24P)

APPROVAL

* Electrical		
Standard	: UL	IEC
Rated voltage	: 300V	250V
Rated current	: 10A	24A
Wire range	: 24-12AWG	2.5mm ²
Withstanding voltage	: AC2000V/1Min	

Mechanical

Torque	: 0.4Nm(3.5Lb-In.)
Ambient temperature	: -40°C~+105°C
Strip length	: 7mm

Dimensions

Pitch	: 5.08mm(.200")
Poles	: 3*(2P,3P~24P)

Material

Housing	: PA66,UL94V-0
Screws	: M2.5,steel,Cr ⁺⁺ Znplated
Pin header	: Brass,Tin plated
Cage	: Brass,Ni plated

电气性能

参考标准	: UL	IEC
额定电压	: 300V	250V
额定电流	: 10A	24A
导线线径	: 24-12AWG	2.5mm ²
耐电压	: AC2000V/1Min	

机械性能

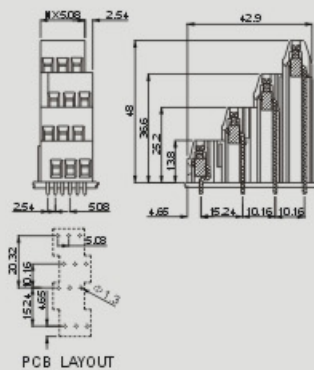
扭力矩	: 0.4Nm(3.5Lb-In.)
环境温度	: -40°C~+105°C
剥线长度	: 7mm

尺寸

间距	: 5.08mm(.200")
极数	: 3*(2P,3P~24P)

材质和电镀

塑件	: PA66,UL94V-0
螺丝	: M2.5,钢,镀Cr ⁺⁺ 钝化彩锌
焊针	: 黄铜,镀锡
方盒	: 黄铜,镀镍



Pitch: 5.08mm; Poles: 4*(2P,3P~24P)

APPROVAL

* Electrical		
Standard	: UL	IEC
Rated voltage	: 300V	250V
Rated current	: 10A	24A
Wire range	: 24-12AWG	2.5mm ²
Withstanding voltage	: AC2000V/1Min	

Mechanical

Torque	: 0.4Nm(3.5Lb-In.)
Ambient temperature	: -40°C~+105°C
Strip length	: 7mm

Dimensions

Pitch	: 5.08mm(.200")
Poles	: 4*(2P,3P~24P)

Material

Housing	: PA66,UL94V-0
Screws	: M2.5,steel,Cr ⁺⁺ Znplated
Pin header	: Brass,Tin plated
Cage	: Brass,Ni plated

电气性能

参考标准	: UL	IEC
额定电压	: 300V	250V
额定电流	: 10A	24A
导线线径	: 24-12AWG	2.5mm ²
耐电压	: AC2000V/1Min	

机械性能

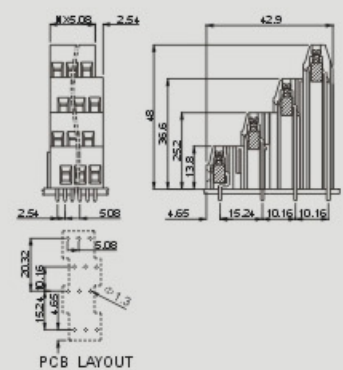
扭力矩	: 0.4Nm(3.5Lb-In.)
环境温度	: -40°C~+105°C
剥线长度	: 7mm

尺寸

间距	: 5.08mm(.200")
极数	: 4*(2P,3P~24P)

材质和电镀

塑件	: PA66,UL94V-0
螺丝	: M2.5,钢,镀Cr ⁺⁺ 钝化彩锌
焊针	: 黄铜,镀锡
方盒	: 黄铜,镀镍



Pitch: 5.08mm; Poles: 4*(2P,3P~24P)

APPROVAL

* Electrical		
Standard	: UL	IEC
Rated voltage	: 300V	250V
Rated current	: 10A	24A
Wire range	: 24-12AWG	2.5mm ²
Withstanding voltage	: AC2000V/1Min	

Mechanical

Torque	: 0.4Nm(3.5Lb-In.)
Ambient temperature	: -40°C~+105°C
Strip length	: 7mm

Dimensions

Pitch	: 5.08mm(.200")
Poles	: 4*(2P,3P~24P)

Material

Housing	: PA66,UL94V-0
Screws	: M2.5,steel,Cr ⁺⁺ Znplated
Pin header	: Brass,Tin plated
Cage	: Brass,Ni plated

电气性能

参考标准	: UL	IEC
额定电压	: 300V	250V
额定电流	: 10A	24A
导线线径	: 24-12AWG	2.5mm ²
耐电压	: AC2000V/1Min	

机械性能

扭力矩	: 0.4Nm(3.5Lb-In.)
环境温度	: -40°C~+105°C
剥线长度	: 7mm

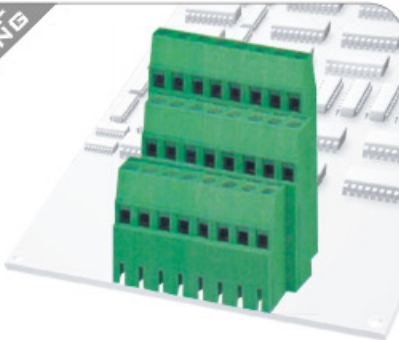
尺寸

间距	: 5.08mm(.200")
极数	: 4*(2P,3P~24P)

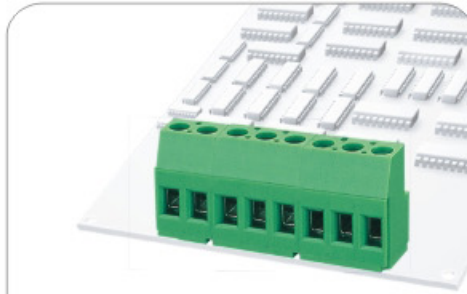
材质和电镀

塑件	: PA66,UL94V-0
螺丝	: M2.5,钢,镀Cr ⁺⁺ 钝化彩锌
焊针	: 黄铜,镀锡
方盒	: 黄铜,镀镍

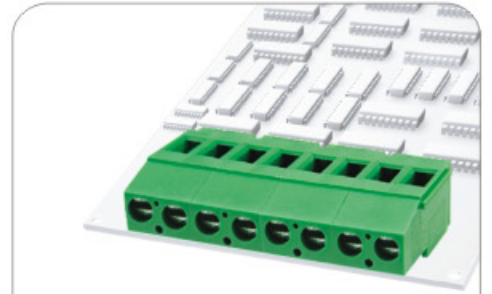
DEVE-
LOPING



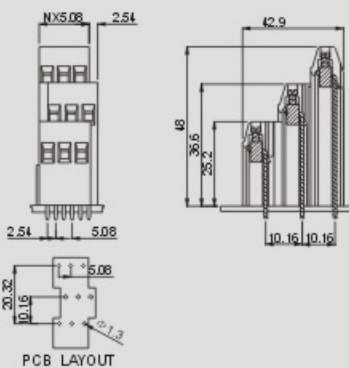
DG500BB3-5.08



**DG129-5.0 DG129-7.5
DG129-5.08 DG129-7.62**



**DG129R-5.0 DG129R-7.5
DG129R-5.08 DG129R-7.62**



Pitch: 5.08mm; Poles: 3*(2P,3P~24P)

APPROVAL :
 ※ **Electrical**
 Standard : UL IEC
 Rated voltage : 300V 250V
 Rated current : 10A 24A
 Wire range : 24-12AWG 2.5mm²
 Withstanding voltage : AC2000V/1Min

※ **Mechanical**
 Torque : 0.4Nm(3.5Lb-In.)
 Ambient temperature : -40°C~ +105°C
 Strip length : 7mm

※ **Dimensions**
 Pitch : 5.08mm(.200")
 Poles : 3*(2P,3P~24P)

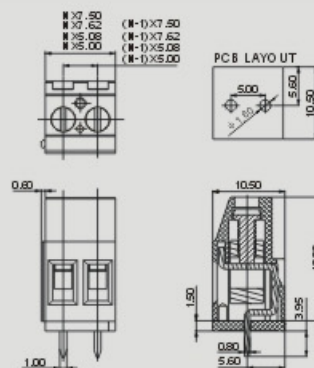
※ **Material**
 Housing : PA66,UL94V-0
 Screws : M2.5,steel,Cr³⁺Zn plated
 Pin header : Brass,Tin plated
 Cage : Brass,Ni plated

※ **电气性能**
 参考标准: UL IEC
 额定电压: 300V 250V
 额定电流: 10A 24A
 导线线径: 24-12AWG 2.5mm²
 耐电压: AC2000V/1Min



※ **机械性能**
 扭力矩: 0.4Nm(3.5Lb-In.)
 环境温度: -40°C~ +105°C
 剥线长度: 7mm

※ **尺寸**
 间距: 5.08mm(.200")
 极数: 3*(2P,3P~24P)

※ **材质和电镀**
 塑件: PA66,UL94V-0
 螺丝: M2.5,铜,镀Cr³⁺钝化彩锌
 焊针: 黄铜,镀锡
 方盒: 黄铜,镀镍



Pitch: 5.0,5.08,7.5,7.62mm; Poles: 2P,3P~24P

APPROVAL :  
 ※ **Electrical**
 Standard : UL IEC
 Rated voltage : 300V 250V,450V
 Rated current : 20A 20A
 Wire range : 26-12AWG 0.5-2.5mm²
 Withstanding voltage : AC2000V/1Min

※ **Mechanical**
 Torque : 0.5Nm(4.4Lb-In.)
 Ambient temperature : -40°C~ +105°C
 Strip length : 7mm

※ **Dimensions**
 Pitch : 5.0mm(.197") 7.5mm(.295")
 5.08mm(.200") 7.62mm(.300")
 Poles : 2P,3P~24P

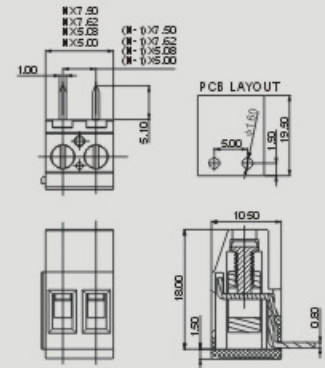
※ **Material**
 Housing : PA66,UL94V-0
 Screws : M3,steel,Cr³⁺Zn plated
 Pin header : Brass,Tin plated
 Cage : Brass,Ni plated

※ **电气性能**
 参考标准: UL IEC
 额定电压: 300V 250V,450V
 额定电流: 20A 20A
 导线线径: 26-12AWG 0.5-2.5mm²
 耐电压: AC2000V/1Min



※ **机械性能**
 扭力矩: 0.5Nm(4.4Lb-In.)
 环境温度: -40°C~ +105°C
 剥线长度: 7mm

※ **尺寸**
 间距: 5.0mm(.197") 7.5mm(.295")
 5.08mm(.200") 7.62mm(.300")
 极数: 2P,3P~24P

※ **材质和电镀**
 塑件: PA66,UL94V-0
 螺丝: M3,铜,镀Cr³⁺钝化彩锌
 焊针: 黄铜,镀锡
 方盒: 黄铜,镀镍



Pitch: 5.0,5.08,7.5,7.62mm; Poles: 2P,3P~24P

APPROVAL :  
 ※ **Electrical**
 Standard : UL IEC
 Rated voltage : 300V 250V,450V
 Rated current : 20A 20A
 Wire range : 26-12AWG 0.5-2.5mm²
 Withstanding voltage : AC2000V/1Min

※ **Mechanical**
 Torque : 0.5Nm(4.4Lb-In.)
 Ambient temperature : -40°C~ +105°C
 Strip length : 7mm

※ **Dimensions**
 Pitch : 5.0mm(.197") 7.5mm(.295")
 5.08mm(.200") 7.62mm(.300")
 Poles : 2P,3P~24P

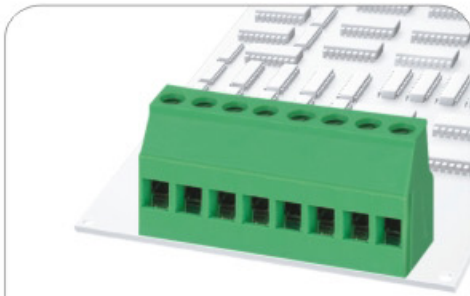
※ **Material**
 Housing : PA66,UL94V-0
 Screws : M3,steel,Cr³⁺Zn plated
 Pin header : Brass,Tin plated
 Cage : Brass,Ni plated

※ **电气性能**
 参考标准: UL IEC
 额定电压: 300V 250V,450V
 额定电流: 20A 20A
 导线线径: 26-12AWG 0.5-2.5mm²
 耐电压: AC2000V/1Min

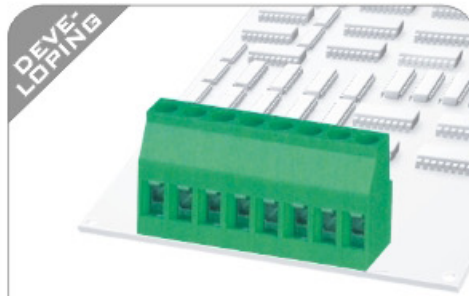
※ **机械性能**
 扭力矩: 0.5Nm(4.4Lb-In.)
 环境温度: -40°C~ +105°C
 剥线长度: 7mm

※ **尺寸**
 间距: 5.0mm(.197") 7.5mm(.295")
 5.08mm(.200") 7.62mm(.300")
 极数: 2P,3P~24P

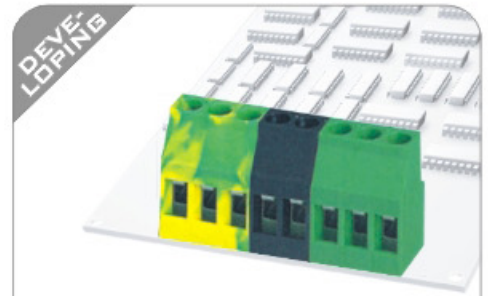
※ **材质和电镀**
 塑件: PA66,UL94V-0
 螺丝: M3,铜,镀Cr³⁺钝化彩锌
 焊针: 黄铜,镀锡
 方盒: 黄铜,镀镍



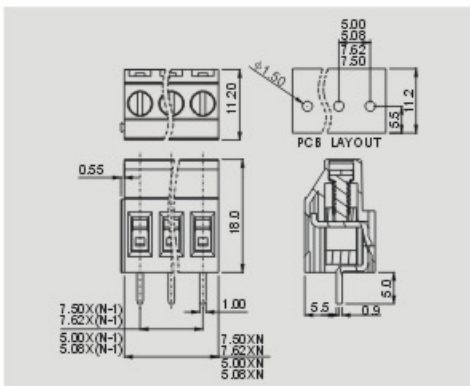
DG130-5.0 DG130-7.5
DG130-5.08 DG130-7.62



DG131-5.0
DG131-5.08




DG132-5.08



Pitch: 5.0, 5.08, 7.5, 7.62mm; Poles: 2P, 3P ~ 24P

APPROVAL

※ Electrical		
Standard	UL	IEC
Rated voltage	300V	250V, 450V
Rated current	20 A	20 A
Wire range	26-12AWG	2.5mm ²
Withstanding voltage	AC2000V/1Min	

※ **Mechanical**

Torque	: 0.5Nm(4.4Lb-In.)
Ambient temperature	: -40°C ~ +105°C
Strip length	: 7 mm

※ **Dimensions**

Pitch	: 5.0mm(.197") 7.5mm(.295")
	: 5.08mm(.200") 7.62mm(.300")
Poles	: 2P, 3P ~ 24P

※ **Material**

Housing	: PA66, UL94V-0
Screws	: M3, steel, Cr ⁺ Zn plated
Pin header	: Brass, Tin plated
Cage	: Brass, Ni plated

※ **电气性能**

参考标准:	UL	IEC
额定电压:	300V	250V, 450V
额定电流:	20A	20A
导线线径:	26-12AWG	2.5mm ²
耐电压:	AC2000V/1Min	

※ **机械性能**

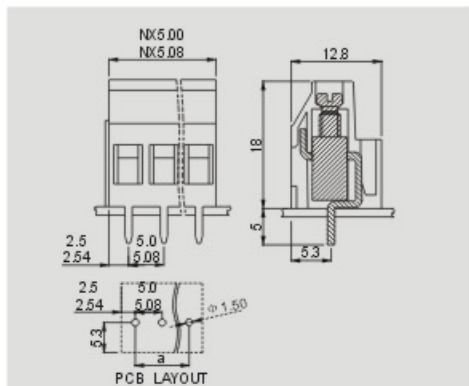
扭力矩:	0.5Nm(4.4Lb-In.)
环境温度:	-40°C ~ +105°C
剥线长度:	7mm

※ **尺寸**

间距:	5.0mm(.197") 7.5mm(.295")
	5.08mm(.200") 7.62mm(.300")
极数:	2P, 3P ~ 24P

※ **材质和电镀**

塑件:	PA66, UL94V-0
螺丝:	M3, 钢, 镀Cr ⁺ 钝化彩锌
焊针:	黄铜, 镀锡
方盒:	黄铜, 镀镍



Pitch: 5.0, 5.08mm; Poles: 2P, 3P ~ 24P

APPROVAL

※ Electrical		
Standard	UL	IEC
Rated voltage	300V	250V
Rated current	20 A	20 A
Wire range	26-12AWG	2.5mm ²
Withstanding voltage	AC2000V/1Min	

※ **Mechanical**

Torque	: 0.5Nm(4.4Lb-In.)
Ambient temperature	: -40°C ~ +105°C
Strip length	: 7 mm

※ **Dimensions**

Pitch	: 5.0mm(.197") 5.08mm(.200")
Poles	: 2P, 3P ~ 24P

※ **Material**

Housing	: PA66, UL94V-0
Screws	: M3, steel, Cr ⁺ Zn plated
Pin header	: Brass, Tin plated
Cage	: Brass, Ni plated

※ **电气性能**

参考标准:	UL	IEC
额定电压:	300V	250V
额定电流:	20A	20A
导线线径:	26-12AWG	2.5mm ²
耐电压:	AC2000V/1Min	

※ **机械性能**

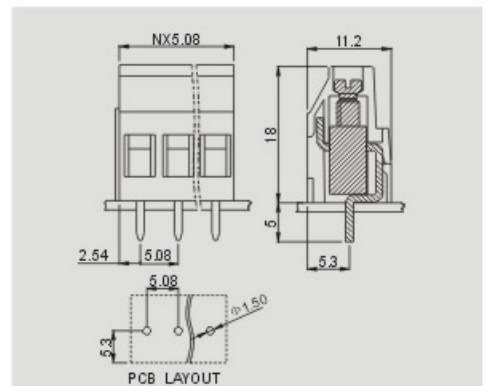
扭力矩:	0.5Nm(4.4Lb-In.)
环境温度:	-40°C ~ +105°C
剥线长度:	7mm

※ **尺寸**

间距:	5.0mm(.197") 5.08mm(.200")
极数:	2P, 3P ~ 24P

※ **材质和电镀**

塑件:	PA66, UL94V-0
螺丝:	M3, 钢, 镀Cr ⁺ 钝化彩锌
焊针:	黄铜, 镀锡
方盒:	黄铜, 镀镍



Pitch: 5.08mm; Poles: 2P, 3P ~ 24P

APPROVAL

※ Electrical		
Standard	UL	IEC
Rated voltage	300V	250V
Rated current	20 A	20 A
Wire range	26-12AWG	2.5mm ²
Withstanding voltage	AC2000V/1Min	

※ **Mechanical**

Torque	: 0.5Nm(4.4Lb-In.)
Ambient temperature	: -40°C ~ +105°C
Strip length	: 7 mm

※ **Dimensions**

Pitch	: 5.08mm(.200")
Poles	: 2P, 3P ~ 24P

※ **Material**

Housing	: PA66, UL94V-0
Screws	: M3, steel, Cr ⁺ Zn plated
Pin header	: Brass, Tin plated
Cage	: Brass, Ni plated

※ **电气性能**

参考标准:	UL	IEC
额定电压:	300V	250V
额定电流:	20A	20A
导线线径:	26-12AWG	2.5mm ²
耐电压:	AC2000V/1Min	

※ **机械性能**

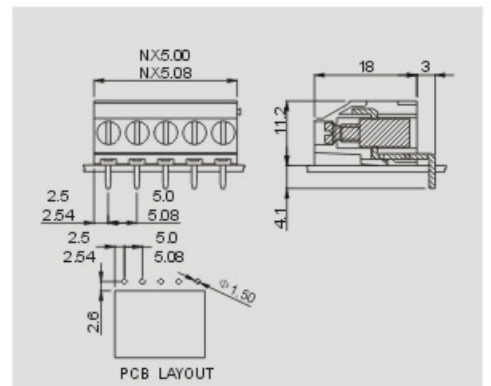
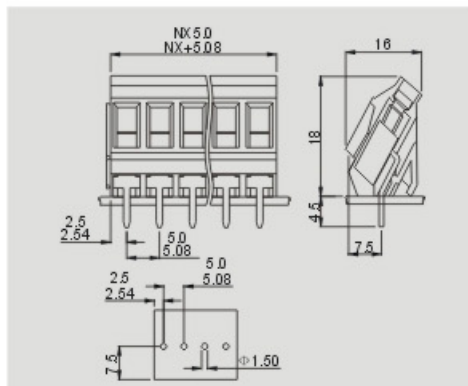
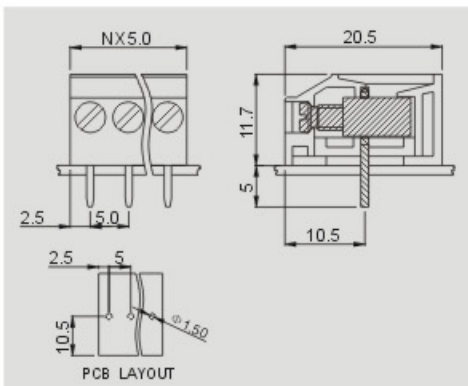
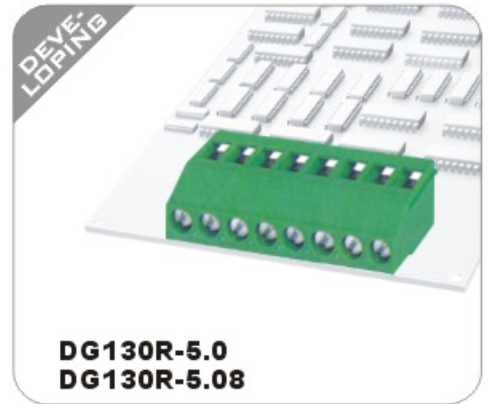
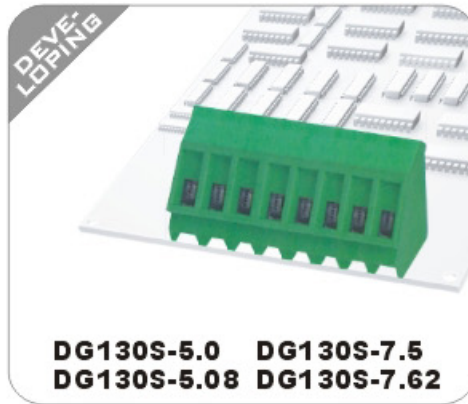
扭力矩:	0.5Nm(4.4Lb-In.)
环境温度:	-40°C ~ +105°C
剥线长度:	7mm

※ **尺寸**

间距:	5.08mm(.200")
极数:	2P, 3P ~ 24P

※ **材质和电镀**

塑件:	PA66, UL94V-0
螺丝:	M3, 钢, 镀Cr ⁺ 钝化彩锌
焊针:	黄铜, 镀锡
方盒:	黄铜, 镀镍



APPROVAL

※ Electrical		
Standard	: UL	IEC
Rated voltage	: 300V	250V
Rated current	: 20 A	20 A
Wire range	: 26-12AWG	2.5mm ²
Withstanding voltage	: AC2000V/1Min	

※Mechanical

Torque	: 0.5Nm(4.4Lb-In.)
Ambient temperature	: -40°C~+105°C
Strip length	: 7 mm

※Dimensions

Pitch	: 5.0mm(.197")
Poles	: 2P,3P~24P

※Material

Housing	: PA66,UL94V-0
Screws	: M3,steel,Cr ⁺⁺ Znplated
Pin header	: Brass,Tin plated
Cage	: Brass,Ni plated

※电气性能

参考标准	UL	IEC
额定电压	300V	250V
额定电流	20A	20A
导线线径	26-12AWG	2.5mm ²
耐电压	AC2000V/1Min	

※机械性能

扭力矩	0.5Nm(4.4Lb-In.)
环境温度	-40°C~+105°C
剥线长度	7mm

※尺寸

间距	: 5.0mm(.197")
极数	: 2P,3P~24P

※材质和电镀

塑件	: PA66,UL94V-0
螺丝	: M3,钢,镀Cr ⁺⁺ 钝化彩锌
焊针	: 黄铜,镀锡
方盒	: 黄铜,镀镍

APPROVAL

※ Electrical		
Standard	: UL	IEC
Rated voltage	: 300V	250V,450V
Rated current	: 20 A	20 A
Wire range	: 26-12AWG	2.5mm ²
Withstanding voltage	: AC2000V/1Min	

※Mechanical

Torque	: 0.5Nm(4.4Lb-In.)
Ambient temperature	: -40°C~+105°C
Strip length	: 7 mm

※Dimensions

Pitch	: 5.0mm(.197") 7.5mm(.295")
	: 5.08mm(.200") 7.62mm(.300")
Poles	: 2P,3P~24P

※Material

Housing	: PA66,UL94V-0
Screws	: M3,steel,Cr ⁺⁺ Znplated
Pin header	: Brass,Tin plated
Cage	: Brass,Ni plated

※电气性能

参考标准	UL	IEC
额定电压	300V	250V,450V
额定电流	20A	20A
导线线径	26-12AWG	2.5mm ²
耐电压	AC2000V/1Min	

※机械性能

扭力矩	0.5Nm(4.4Lb-In.)
环境温度	-40°C~+105°C
剥线长度	7mm

※尺寸

间距	: 5.0mm(.197") 7.5mm(.295")
	: 5.08mm(.200") 7.62mm(.300")
极数	: 2P,3P~24P

※材质和电镀

塑件	: PA66,UL94V-0
螺丝	: M3,钢,镀Cr ⁺⁺ 钝化彩锌
焊针	: 黄铜,镀锡
方盒	: 黄铜,镀镍

APPROVAL

※ Electrical		
Standard	: UL	IEC
Rated voltage	: 300V	250V
Rated current	: 20 A	20 A
Wire range	: 26-12AWG	2.5mm ²
Withstanding voltage	: AC2000V/1Min	

※Mechanical

Torque	: 0.5Nm(4.4Lb-In.)
Ambient temperature	: -40°C~+105°C
Strip length	: 7 mm

※Dimensions

Pitch	: 5.0mm(.197") 5.08mm(.200")
Poles	: 2P,3P~24P

※Material

Housing	: PA66,UL94V-0
Screws	: M3,steel,Cr ⁺⁺ Znplated
Pin header	: Brass,Tin plated
Cage	: Brass,Ni plated

※电气性能

参考标准	UL	IEC
额定电压	300V	250V
额定电流	20A	20A
导线线径	26-12AWG	2.5mm ²
耐电压	AC2000V/1Min	

※机械性能

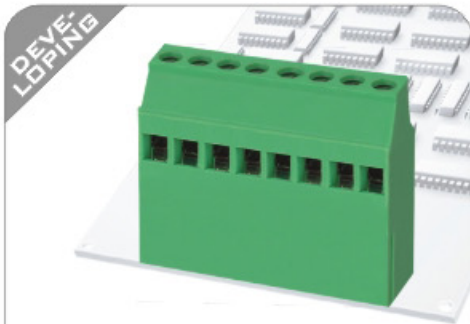
扭力矩	0.5Nm(4.4Lb-In.)
环境温度	-40°C~+105°C
剥线长度	7mm

※尺寸

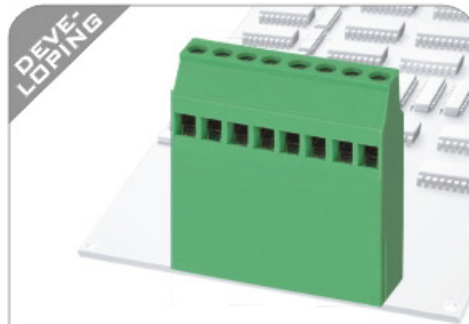
间距	: 5.0mm(.197") 5.08mm(.200")
极数	: 2P,3P~24P

※材质和电镀

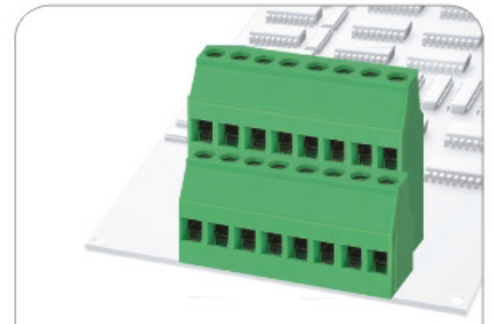
塑件	: PA66,UL94V-0
螺丝	: M3,钢,镀Cr ⁺⁺ 钝化彩锌
焊针	: 黄铜,镀锡
方盒	: 黄铜,镀镍



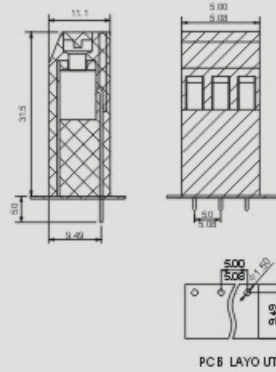
DG130H-5.0
DG130H-5.08



DG130HH-5.0
DG130HH-5.08



DG130A-5.0
DG130A-5.08



PCB LAYOUT

Pitch: 5.0,5.08mm; Poles: 2P,3P~24P

APPROVAL

Standard	: UL	IEC
Rated voltage	: 300V	250V
Rated current	: 20A	20A
Wire range	: 24-12AWG	2.5mm ²
Withstanding voltage	: AC2000V/1Min	

Mechanical

Torque	: 0.5Nm(4.4Lb-In.)
Ambient temperature	: -40°C~ +105°C
Strip length	: 7mm

Dimensions

Pitch	: 5.0mm(.197")5.08mm(.200")
Poles	: 2P,3P~24P

Material

Housing	: PA66,UL94V-0
Screws	: M3,steel,Cr ³⁺ Znplated
Pin header	: Brass,Tin plated
Cage	: Brass,Ni plated

电气性能

参考标准	: UL	IEC
额定电压	: 300V	250V
额定电流	: 20A	20A
导线线径	: 24-12AWG	2.5mm ²
耐电压	: AC2000V/1Min	

机械性能

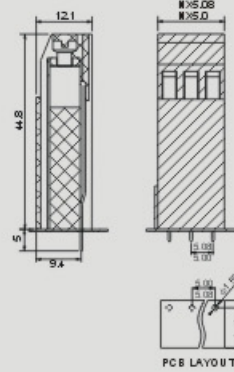
扭力矩	: 0.5Nm(4.4Lb-In.)
环境温度	: -40°C~ +105°C
剥线长度	: 7mm

尺寸

间距	: 5.0mm(.197")5.08mm(.200")
极数	: 2P,3P~24P

材质和电镀

塑件	: PA66,UL94V-0
螺丝	: M3,钢,镀Cr ³⁺ 钝化彩锌
焊针	: 紫铜,镀锡
方盒	: 黄铜,镀镍



PCB LAYOUT

Pitch: 5.0,5.08mm; Poles: 2P,3P~24P

APPROVAL

Standard	: UL	IEC
Rated voltage	: 300V	250V
Rated current	: 20A	20A
Wire range	: 24-12AWG	2.5mm ²
Withstanding voltage	: AC2000V/1Min	

Mechanical

Torque	: 0.5Nm(4.4Lb-In.)
Ambient temperature	: -40°C~ +105°C
Strip length	: 7mm

Dimensions

Pitch	: 5.0mm(.197")5.08mm(.200")
Poles	: 2P,3P~24P

Material

Housing	: PA66,UL94V-0
Screws	: M3,steel,Cr ³⁺ Znplated
Pin header	: Copper,Tin plated
Cage	: Brass,Ni plated

电气性能

参考标准	: UL	IEC
额定电压	: 300V	250V
额定电流	: 20A	20A
导线线径	: 24-12AWG	2.5mm ²
耐电压	: AC2000V/1Min	

机械性能

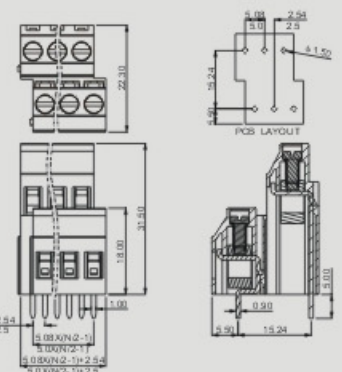
扭力矩	: 0.5Nm(4.4Lb-In.)
环境温度	: -40°C~ +105°C
剥线长度	: 7mm

尺寸

间距	: 5.0mm(.197")5.08mm(.200")
极数	: 2P,3P~24P

材质和电镀

塑件	: PA66,UL94V-0
螺丝	: M3,钢,镀Cr ³⁺ 钝化彩锌
焊针	: 紫铜,镀锡
方盒	: 黄铜,镀镍



PCB LAYOUT

Pitch: 5.0,5.08mm; Poles: 2*(2P,3P~24P)

APPROVAL

Standard	: UL	IEC
Rated voltage	: 300V	250V
Rated current	: 20A	20A
Wire range	: 24-12AWG	2.5mm ²
Withstanding voltage	: AC2000V/1Min	

Mechanical

Torque	: 0.5Nm(4.4Lb-In.)
Ambient temperature	: -40°C~ +105°C
Strip length	: 7mm

Dimensions

Pitch	: 5.0mm(.197")5.08mm(.200")
Poles	: 2*(2P,3P~24P)

Material

Housing	: PA66,UL94V-0
Screws	: M3,steel,Cr ³⁺ Znplated
Pin header	: Copper,Tin plated
Cage	: Brass,Ni plated

电气性能

参考标准	: UL	IEC
额定电压	: 300V	250V
额定电流	: 20A	20A
导线线径	: 24-12AWG	2.5mm ²
耐电压	: AC2000V/1Min	

机械性能

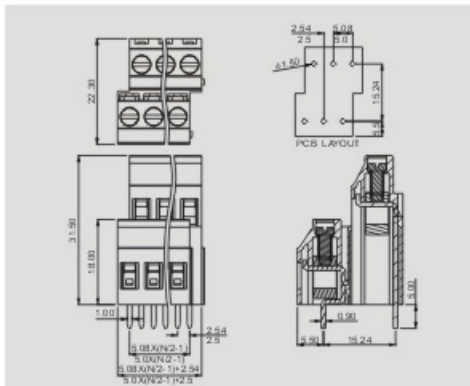
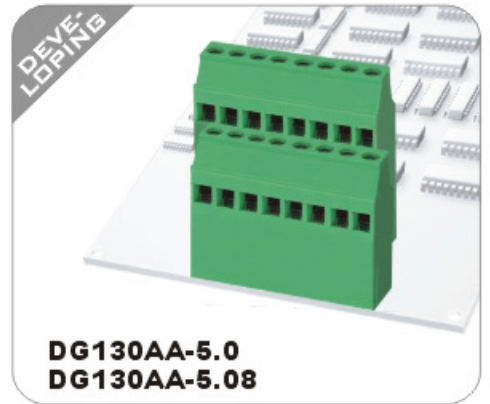
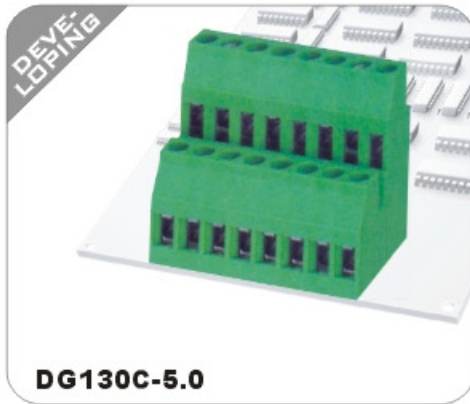
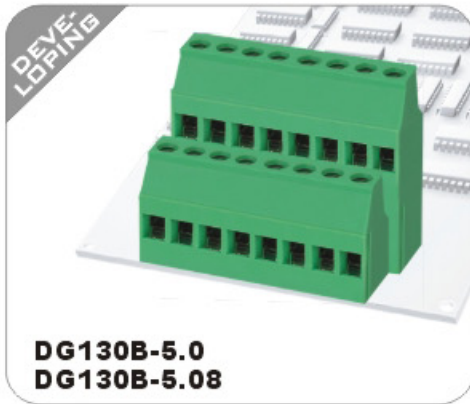
扭力矩	: 0.5Nm(4.4Lb-In.)
环境温度	: -40°C~ +105°C
剥线长度	: 7mm

尺寸

间距	: 5.0mm(.197")5.08mm(.200")
极数	: 2*(2P,3P~24P)

材质和电镀

塑件	: PA66,UL94V-0
螺丝	: M3,钢,镀Cr ³⁺ 钝化彩锌
焊针	: 紫铜,镀锡
方盒	: 黄铜,镀镍



Pitch: 5.0,5.08mm; Poles: 2*(2P,3P~24P)

APPROVAL

※ **Electrical**
Standard : UL IEC
Rated voltage : 300V 250V
Rated current : 20A 20A
Wire range : 24-12AWG 2.5mm²
Withstanding voltage : AC2000V/1Min

※ **Mechanical**

Torque : 0.5Nm(4.4Lb-In.)
Ambient temperature : -40°C~+105°C
Strip length : 7mm

※ **Dimensions**

Pitch : 5.0mm(.197") 5.08mm(.200")
Poles : 2*(2P,3P~24P)

※ **Material**

Housing : PA66,UL94V-0
Screws : M3,steel,Cr⁺Zn plated
Pin header : Copper,Tin plated
Cage : Brass,Ni plated

※ **电气性能**

参考标准: UL IEC
额定电压: 300V 250V
额定电流: 20A 20A
导线线径: 24-12AWG 2.5mm²
耐电压: AC2000V/1Min

※ **机械性能**

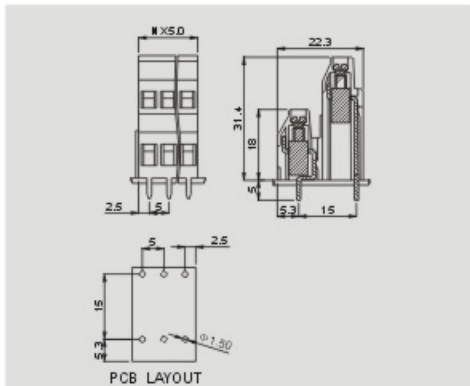
扭力矩: 0.5Nm(4.4Lb-In.)
环境温度: -40°C~+105°C
剥线长度: 7mm

※ **尺寸**

间距: 5.0mm(.197") 5.08mm(.200")
极数: 2*(2P,3P~24P)

※ **材质和电镀**

塑件: PA66,UL94V-0
螺丝: M3,钢,镀Cr⁺钝化彩锌
焊针: 紫铜,镀锡
方盒: 黄铜,镀镍



Pitch: 5.0mm; Poles: 2*(2P,3P~24P)

APPROVAL

※ **Electrical**
Standard : UL IEC
Rated voltage : 300V 250V
Rated current : 20A 20A
Wire range : 24-12AWG 2.5mm²
Withstanding voltage : AC2000V/1Min

※ **Mechanical**

Torque : 0.5Nm(4.4Lb-In.)
Ambient temperature : -40°C~+105°C
Strip length : 7mm

※ **Dimensions**

Pitch : 5.0mm(.197")
Poles : 2*(2P,3P~24P)

※ **Material**

Housing : PA66,UL94V-0
Screws : M3,steel,Cr⁺Zn plated
Pin header : Copper,Tin plated
Cage : Brass,Ni plated

※ **电气性能**

参考标准: UL IEC
额定电压: 300V 250V
额定电流: 20A 20A
导线线径: 24-12AWG 2.5mm²
耐电压: AC2000V/1Min

※ **机械性能**

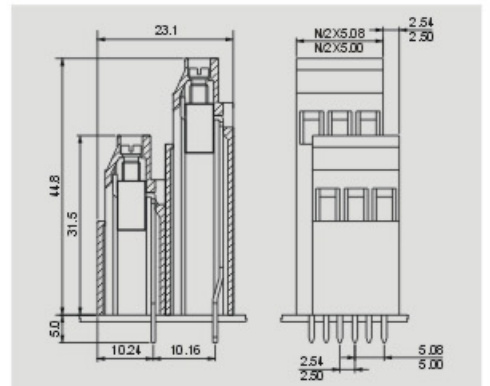
扭力矩: 0.5Nm(4.4Lb-In.)
环境温度: -40°C~+105°C
剥线长度: 7mm

※ **尺寸**

间距: 5.0mm(.197")
极数: 2*(2P,3P~24P)

※ **材质和电镀**

塑件: PA66,UL94V-0
螺丝: M3,钢,镀Cr⁺钝化彩锌
焊针: 紫铜,镀锡
方盒: 黄铜,镀镍



Pitch: 5.0,5.08mm; Poles: 2*(2P,3P~24P)

APPROVAL

※ **Electrical**
Standard : UL IEC
Rated voltage : 300V 250V
Rated current : 20A 20A
Wire range : 24-12AWG 2.5mm²
Withstanding voltage : AC2000V/1Min

※ **Mechanical**

Torque : 0.5Nm(4.4Lb-In.)
Ambient temperature : -40°C~+105°C
Strip length : 7mm

※ **Dimensions**

Pitch : 5.0mm(.197") 5.08mm(.200")
Poles : 2*(2P,3P~24P)

※ **Material**

Housing : PA66,UL94V-0
Screws : M3,steel,Cr⁺Zn plated
Pin header : Copper,Tin plated
Cage : Brass,Ni plated

※ **电气性能**

参考标准: UL IEC
额定电压: 300V 250V
额定电流: 20A 20A
导线线径: 24-12AWG 2.5mm²
耐电压: AC2000V/1Min

※ **机械性能**

扭力矩: 0.5Nm(4.4Lb-In.)
环境温度: -40°C~+105°C
剥线长度: 7mm

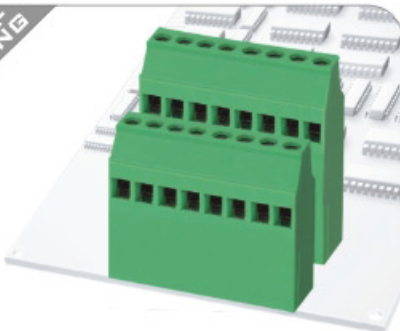
※ **尺寸**

间距: 5.0mm(.197") 5.08mm(.200")
极数: 2*(2P,3P~24P)

※ **材质和电镀**

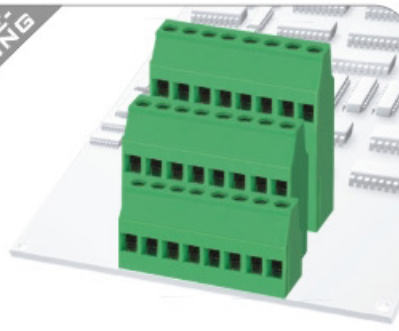
塑件: PA66,UL94V-0
螺丝: M3,钢,镀Cr⁺钝化彩锌
焊针: 紫铜,镀锡
方盒: 黄铜,镀镍

DEVE-
LOPING

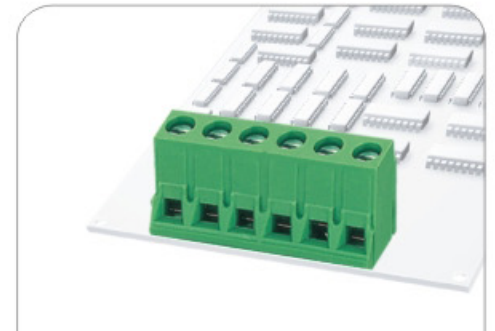


DG130BB-5.0
DG130BB-5.08

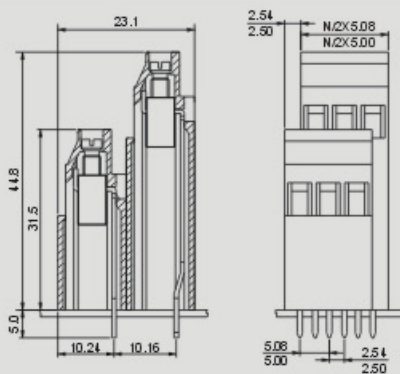
DEVE-
LOPING



DG130A3-5.0
DG130A3-5.08



DG635-6.35



Pitch: 5.0,5.08mm; Poles: 2*(2P,3P~24P)

APPROVAL

Standard	UL	IEC
Rated voltage	300V	250V
Rated current	20A	20A
Wire range	24-12AWG	2.5mm ²
Withstanding voltage	AC2000V/1Min	

Mechanical

Torque	0.5Nm(4.4Lb-In.)
Ambient temperature	-40°C~+105°C
Strip length	7mm

Dimensions

Pitch	5.0mm(.197")5.08mm(.200")
Poles	2*(2P,3P~24P)

Material

Housing	PA66,UL94V-0
Screws	M3,steel,Cr ⁺ Znplated
Pin header	Copper,Tin plated
Cage	Brass,Ni plated

电气性能

参考标准	UL	IEC
额定电压	300V	250V
额定电流	20A	20A
导线线径	24-12AWG	2.5mm ²
耐电压	AC2000V/1Min	

机械性能

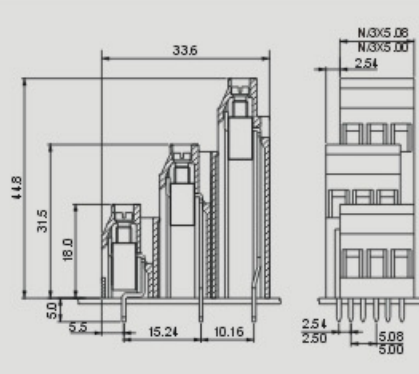
扭力矩	0.5Nm(4.4Lb-In.)
环境温度	-40°C~+105°C
剥线长度	7mm

尺寸

间距	5.0mm(.197")5.08mm(.200")
极数	2*(2P,3P~24P)

材质和电镀

塑件	PA66,UL94V-0
螺丝	M3,钢,镀Cr ⁺ 钝化彩锌
焊针	紫铜,镀锡
方盒	黄铜,镀镍



Pitch: 5.0,5.08mm; Poles: 3*(2P,3P~24P)

APPROVAL

Standard	UL	IEC
Rated voltage	300V	250V
Rated current	20A	20A
Wire range	24-12AWG	2.5mm ²
Withstanding voltage	AC2000V/1Min	

Mechanical

Torque	0.5Nm(4.4Lb-In.)
Ambient temperature	-40°C~+105°C
Strip length	7mm

Dimensions

Pitch	5.0mm(.197")5.08mm(.200")
Poles	3*(2P,3P~24P)

Material

Housing	PA66,UL94V-0
Screws	M3,steel,Cr ⁺ Znplated
Pin header	Copper,Tin plated
Cage	Brass,Ni plated

电气性能

参考标准	UL	IEC
额定电压	300V	250V
额定电流	20A	20A
导线线径	24-12AWG	2.5mm ²
耐电压	AC2000V/1Min	

机械性能

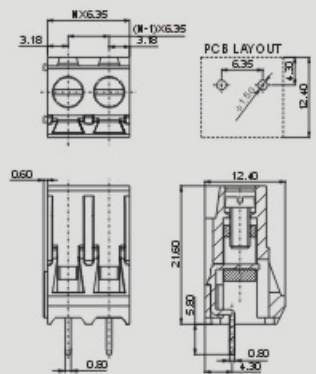
扭力矩	0.5Nm(4.4Lb-In.)
环境温度	-40°C~+105°C
剥线长度	7mm

尺寸

间距	5.0mm(.197")5.08mm(.200")
极数	3*(2P,3P~24P)

材质和电镀

塑件	PA66,UL94V-0
螺丝	M3,钢,镀Cr ⁺ 钝化彩锌
焊针	紫铜,镀锡
方盒	黄铜,镀镍



Pitch: 6.35mm; Poles: 2P,3P~24P

APPROVAL

Standard	UL	IEC
Rated voltage	300V	450V
Rated current	30A	32A
Wire range	26-10AWG	4.0mm ²
Withstanding voltage	AC2500V/1Min	

Mechanical

Torque	0.5Nm(4.4Lb-In.)
Ambient temperature	-40°C~+105°C
Strip length	8-9mm

Dimensions

Pitch	6.35mm(.250")
Poles	2P,3P~24P

Material

Housing	PA66,UL94V-0
Screws	M3,steel,Cr ⁺ Znplated
Pin header	Copper,Tin plated
Cage	Brass,Ni plated

电气性能

参考标准	UL	IEC
额定电压	300V	450V
额定电流	30A	32A
导线线径	26-10AWG	4.0mm ²
耐电压	AC2500V/1Min	

机械性能

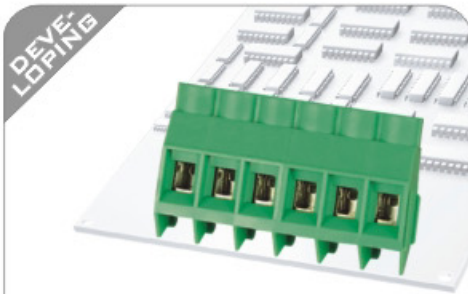
扭力矩	0.5Nm(4.4Lb-In.)
环境温度	-40°C~+105°C
剥线长度	8-9mm

尺寸

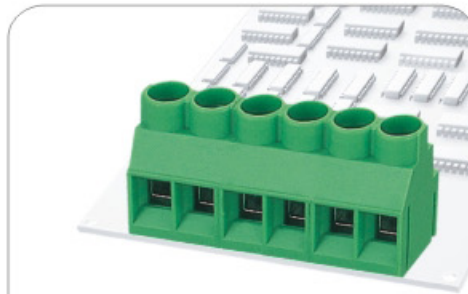
间距	6.35mm(.250")
极数	2P,3P~24P

材质和电镀

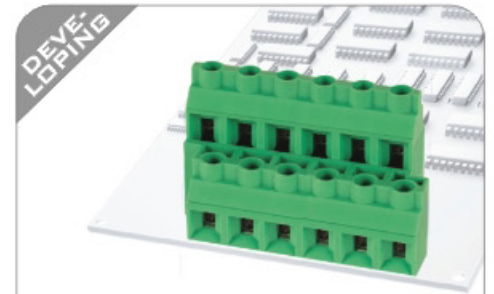
塑件	PA66,UL94V-0
螺丝	M3,钢,镀Cr ⁺ 钝化彩锌
焊针	紫铜,镀锡
方盒	黄铜,镀镍



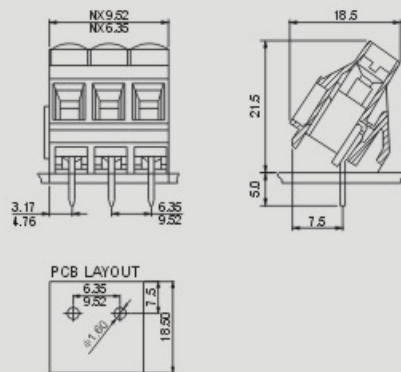
DG636S-6.35
DG636S-9.52



DG636-6.35 DG636-7.62
DG636-9.52



DG636A-6.35
DG636A-9.52



Pitch: 6.35, 9.52mm; Poles: 2P, 3P~24P

APPROVAL

※ Electrical	UL	IEC
Standard	300V	450V, 750V
Rated voltage	30A	24A
Rated current	Wire range : 26-10AWG 4.0 mm ²	
Wire range	Withstanding voltage: AC2500V/1Min	
Withstanding voltage		

※**Mechanical**

Torque	0.5Nm(4.4Lb-In.)	
Ambient temperature	-40°C ~ +105°C	
Strip length	8 mm	

※**Dimensions**

Pitch	6.35mm(.250")	9.52mm(.374")
Poles	2P, 3P~24P	

※**Material**

Housing	PA66, UL94V-0
Screws	M3, steel, Cr ⁺⁺ Zn plated
Pin header	Copper, Tin plated
Cage	Brass, Ni plated

※**电气性能**

参考标准:	UL	IEC
额定电压:	300V	450V, 750V
额定电流:	30A	24A
导线线径:	26-10AWG 4.0mm ²	
耐电压:	AC2500V/1Min	

※**机械性能**

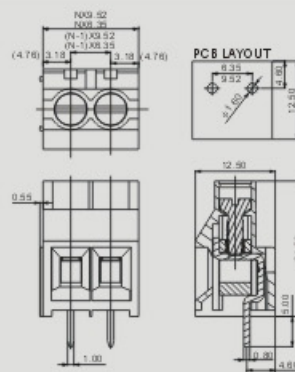
扭力矩:	0.5Nm(4.4Lb-In.)	
环境温度:	-40°C ~ +105°C	
剥线长度:	8mm	

※**尺寸**

间距:	6.35mm(.250")	9.52mm(.374")
极数:	2P, 3P~24P	

※**材质和电镀**

塑件:	PA66, UL94V-0
螺丝:	M3, 钢, 镀Cr ⁺⁺ 钝化彩锌
焊针:	紫铜, 镀锡
方盒:	黄铜, 镀镍



Pitch: 6.35, 7.62, 9.52mm; Poles: 2P, 3P~24P

APPROVAL

※ Electrical	UL	IEC
Standard	300V	450V, 750V
Rated voltage	30A	24A
Rated current	Wire range : 26-10AWG 4.0 mm ²	
Wire range	Withstanding voltage: AC2500V/1Min	
Withstanding voltage		

※**Mechanical**

Torque	0.5Nm(4.4Lb-In.)	
Ambient temperature	-40°C ~ +105°C	
Strip length	8 mm	

※**Dimensions**

Pitch	6.35mm(.250")	7.62mm(.300")	9.52mm(.374")
Poles	2P, 3P~24P		

※**Material**

Housing	PA66, UL94V-0
Screws	M3, steel, Cr ⁺⁺ Zn plated
Pin header	Copper, Tin plated
Cage	Brass, Ni plated

※**电气性能**

参考标准:	UL	IEC
额定电压:	300V	450V, 750V
额定电流:	30A	24A
导线线径:	26-10AWG 4.0mm ²	
耐电压:	AC2500V/1Min	

※**机械性能**

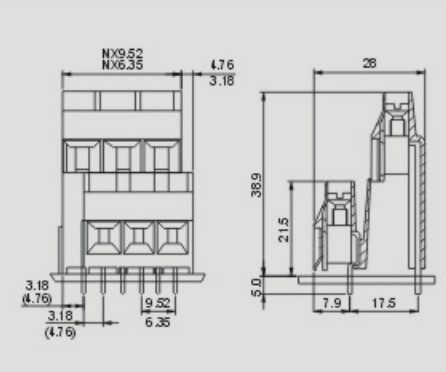
扭力矩:	0.5Nm(4.4Lb-In.)	
环境温度:	-40°C ~ +105°C	
剥线长度:	8mm	

※**尺寸**

间距:	6.35mm(.250")	7.62mm(.300")	9.52mm(.374")
极数:	2P, 3P~24P		

※**材质和电镀**

塑件:	PA66, UL94V-0
螺丝:	M3, 钢, 镀Cr ⁺⁺ 钝化彩锌
焊针:	紫铜, 镀锡
方盒:	黄铜, 镀镍



Pitch: 6.35, 9.52mm; Poles: 2P, 3P~24P

APPROVAL

※ Electrical	UL	IEC
Standard	300V	450V, 750V
Rated voltage	30A	24A
Rated current	Wire range : 26-10AWG 4.0 mm ²	
Wire range	Withstanding voltage: AC2500V/1Min	
Withstanding voltage		

※**Mechanical**

Torque	0.5Nm(4.4Lb-In.)	
Ambient temperature	-40°C ~ +105°C	
Strip length	8 mm	

※**Dimensions**

Pitch	6.35mm(.250")	9.52mm(.374")
Poles	2P, 3P~24P	

※**Material**

Housing	PA66, UL94V-0
Screws	M3, steel, Cr ⁺⁺ Zn plated
Pin header	Brass, Tin plated
Cage	Brass, Ni plated

※**电气性能**

参考标准:	UL	IEC
额定电压:	300V	450V, 750V
额定电流:	30A	24A
导线线径:	26-10AWG 4.0mm ²	
耐电压:	AC2500V/1Min	

※**机械性能**

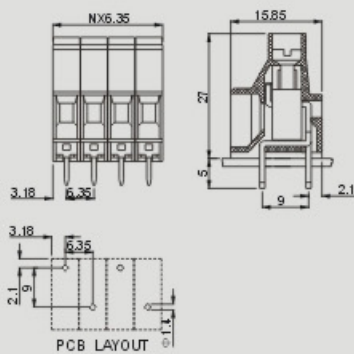
扭力矩:	0.5Nm(4.4Lb-In.)	
环境温度:	-40°C ~ +105°C	
剥线长度:	8mm	

※**尺寸**

间距:	6.35mm(.250")	9.52mm(.374")
极数:	2P, 3P~24P	

※**材质和电镀**

塑件:	PA66, UL94V-0
螺丝:	M3, 钢, 镀Cr ⁺⁺ 钝化彩锌
焊针:	紫铜, 镀锡
方盒:	黄铜, 镀镍



Pitch: 6.35mm; Poles: 1P~XXP

APPROVAL

Standard	: UL	IEC
Rated voltage	: 300V	1000V
Rated current	: 30A	32A
Wire range	: 30 -10AWG	4.0 mm ²
Withstanding voltage	: AC3500V/1Min	

※Mechanical

Torque	: 0.5Nm(4.4Lb-In.)
Ambient temperature	: -40°C~+105°C
Strip length	: 8mm

※Dimensions

Pitch	: 6.35mm(.250")
Poles	: 1P~XXP

※Material

Housing	: PA66,UL94V-0
Screws	: M3,steel,Cr ⁺ Zn plated
Pin header	: Brass,Tin plated
Cage	: Brass,Ni plated

※电气性能

参考标准	: UL	IEC
额定电压	: 300V	1000V
额定电流	: 30A	32A
导线线径	: 30-10AWG	4.0mm ²
耐电压	: AC3500V/1Min	

※机械性能

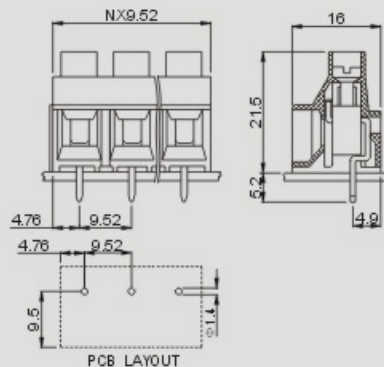
扭力矩	: 0.5Nm(4.4Lb-In.)
环境温度	: -40°C~+105°C
剥线长度	: 8mm

※尺寸

间距	: 6.35mm(.250")
极数	: 1P~XXP

※材质和电镀

塑件	: PA66,UL94V-0
螺丝	: M3,钢,镀Cr ⁺ 钝化彩锌
焊针	: 黄铜,镀锡
方盒	: 黄铜,镀镍



Pitch: 9.52mm; Poles: 2P,3P~24P

APPROVAL

Standard	: UL	IEC
Rated voltage	: 300V	1000V
Rated current	: 30A	32A
Wire range	: 30 -10AWG	4.0 mm ²
Withstanding voltage	: AC3500V/1Min	

※Mechanical

Torque	: 0.5Nm(4.4Lb-In.)
Ambient temperature	: -40°C~+105°C
Strip length	: 8mm

※Dimensions

Pitch	: 9.52mm(.375")
Poles	: 2P,3P~24P

※Material

Housing	: PA66,UL94V-0
Screws	: M3,steel,Cr ⁺ Zn plated
Pin header	: Brass,Tin plated
Cage	: Brass,Ni plated

※电气性能

参考标准	: UL	IEC
额定电压	: 300V	1000V
额定电流	: 30A	32A
导线线径	: 30-10AWG	4.0mm ²
耐电压	: AC3500V/1Min	

※机械性能

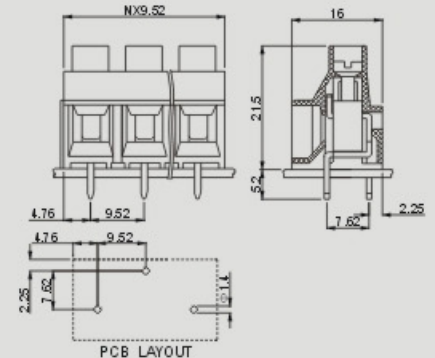
扭力矩	: 0.5Nm(4.4Lb-In.)
环境温度	: -40°C~+105°C
剥线长度	: 8mm

※尺寸

间距	: 9.52mm(.375")
极数	: 2P,3P~24P

※材质和电镀

塑件	: PA66,UL94V-0
螺丝	: M3,钢,镀Cr ⁺ 钝化彩锌
焊针	: 黄铜,镀锡
方盒	: 黄铜,镀镍



Pitch: 9.52mm; Poles: 2P,3P~24P

APPROVAL

Standard	: UL	IEC
Rated voltage	: 300V	1000V
Rated current	: 30A	32A
Wire range	: 30 -10AWG	4.0 mm ²
Withstanding voltage	: AC3500V/1Min	

※Mechanical

Torque	: 0.5Nm(4.4Lb-In.)
Ambient temperature	: -40°C~+105°C
Strip length	: 8mm

※Dimensions

Pitch	: 9.52mm(.375")
Poles	: 2P,3P~24P

※Material

Housing	: PA66,UL94V-0
Screws	: M3,steel,Cr ⁺ Zn plated
Pin header	: Brass,Tin plated
Cage	: Brass,Ni plated

※电气性能

参考标准	: UL	IEC
额定电压	: 300V	1000V
额定电流	: 30A	32A
导线线径	: 30-10AWG	4.0mm ²
耐电压	: AC3500V/1Min	

※机械性能

扭力矩	: 0.5Nm(4.4Lb-In.)
环境温度	: -40°C~+105°C
剥线长度	: 8mm

※尺寸

间距	: 9.52mm(.375")
极数	: 2P,3P~24P

※材质和电镀

塑件	: PA66,UL94V-0
螺丝	: M3,钢,镀Cr ⁺ 钝化彩锌
焊针	: 黄铜,镀锡
方盒	: 黄铜,镀镍



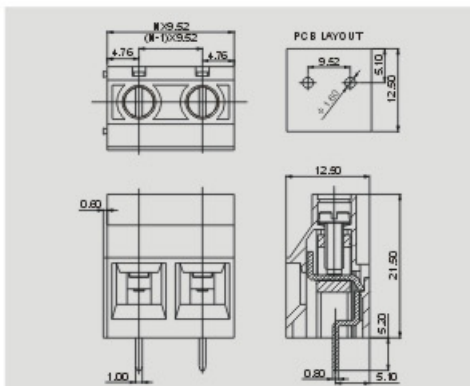
DG950-9.5




DG135T-10.16



DG136T-10.16



Pitch: 9.52mm; Poles: 2P,3P~24P

APPROVAL :  
※Electrical
 Standard : UL IEC
 Rated voltage : 300V 750V
 Rated current : 30A 26A
 Wire range : 26-10AWG 4.0 mm²
 Withstanding voltage : AC3000V/1Min

※Mechanical
 Torque : 0.5Nm(4.4Lb-In.)
 Ambient temperature : -40°C~+105°C
 Strip length : 8-9mm

※Dimensions
 Pitch : 9.52mm(.375")
 Poles : 2P,3P~24P

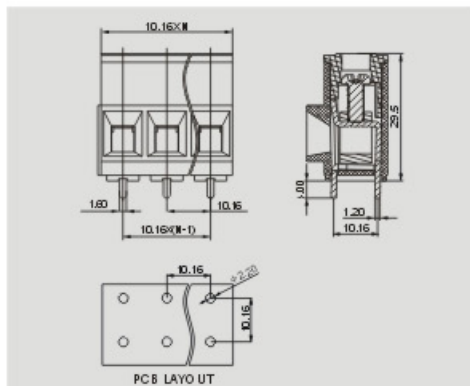
※Material
 Housing : PA66,UL94V-0
 Screws : M3,steel,Cr⁺Zn plated
 Pin header : Brass,Tin plated
 Cage : Brass,Ni plated

※电气性能
 参考标准: UL IEC
 额定电压: 300V 750V
 额定电流: 30A 26A
 导线线径: 26-10AWG 4.0mm²
 耐电压: AC3000V/1Min



※机械性能
 扭力矩: 0.5Nm(4.4Lb-In.)
 环境温度: -40°C~+105°C
 剥线长度: 8-9mm

※尺寸
 间距: 9.52mm(.375")
 极数: 2P,3P~24P

※材质和电镀
 塑件: PA66,UL94V-0
 螺丝: M3,钢,镀Cr⁺钝化彩锌
 焊针: 紫铜,镀锡
 方盒: 黄铜,镀镍



Pitch: 10.16mm; Poles: 2P,3P~24P

APPROVAL :  
※Electrical
 Standard : UL IEC
 Rated voltage : 300V 750V
 Rated current : 52A 57A
 Wire range : 20-6AWG 10.0 mm²
 Withstanding voltage : AC3000V/1Min

※Mechanical
 Torque : 1.2Nm(10.5Lb-In.)
 Ambient temperature : -40°C~+105°C
 Strip length : 10mm

※Dimensions
 Pitch : 10.16mm(.400")
 Poles : 2P,3P~24P

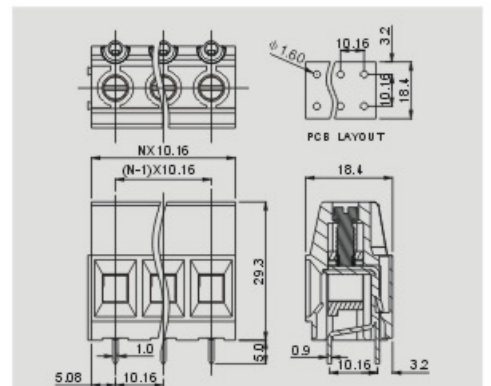
※Material
 Housing : PA66,UL94V-0
 Screws : M4,steel,Cr⁺Zn plated
 Pin header : Copper,Tin plated
 Cage : Brass,Ni plated

※电气性能
 参考标准: UL IEC
 额定电压: 300V 750V
 额定电流: 52A 57A
 导线线径: 20-6AWG 10.0mm²
 耐电压: AC3000V/1Min

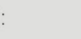
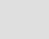
※机械性能
 扭力矩: 1.2Nm(10.5Lb-In.)
 环境温度: -40°C~+105°C
 剥线长度: 10mm

※尺寸
 间距: 10.16mm(.400")
 极数: 2P,3P~24P

※材质和电镀
 塑件: PA66,UL94V-0
 螺丝: M4,钢,镀Cr⁺钝化彩锌
 焊针: 紫铜,镀锡
 方盒: 黄铜,镀镍



Pitch: 10.16mm; Poles: 2P,3P~24P

APPROVAL :  
※Electrical
 Standard : UL IEC
 Rated voltage : 600V 750V
 Rated current : 50A 57A
 Wire range : 20-6AWG 2.5-16.0 mm²
 Withstanding voltage : AC3000V/1Min

※Mechanical
 Torque : 1.2Nm(10.5Lb-In.)
 Ambient temperature : -40°C~+105°C
 Strip length : 10mm

※Dimensions
 Pitch : 10.16mm(.400")
 Poles : 2P,3P~24P

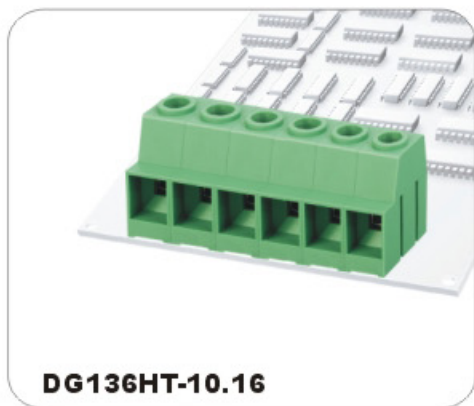
※Material
 Housing : PA66,UL94V-0
 Screws : M4,brass,Ni plated
 Pin header : Copper,Tin plated
 Cage : Brass,Ni plated

※电气性能
 参考标准: UL IEC
 额定电压: 600V 750V
 额定电流: 50A 57A
 导线线径: 20-6AWG 2.5-16.0mm²
 耐电压: AC3000V/1Min

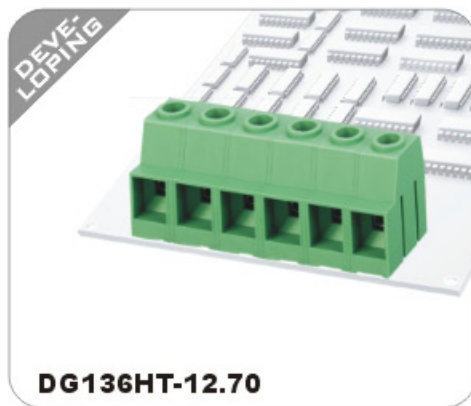
※机械性能
 扭力矩: 1.2Nm(10.5Lb-In.)
 环境温度: -40°C~+105°C
 剥线长度: 10mm

※尺寸
 间距: 10.16mm(.400")
 极数: 2P,3P~24P

※材质和电镀
 塑件: PA66,UL94V-0
 螺丝: M4,黄铜,镀镍
 焊针: 紫铜,镀锡
 方盒: 黄铜,镀镍



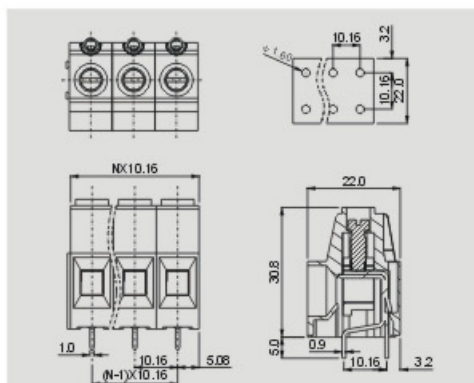
DG136HT-10.16



DG136HT-12.70



DG138T-10.16



Pitch: 10.16mm; Poles: 2P,3P~24P

APPROVAL

※ Electrical		
Standard	UL	IEC
Rated voltage	600V	750V
Rated current	50A	57A
Wire range	20-6AWG 2.5-16.0mm ²	
Withstanding voltage	AC3000V/1Min	

※**Mechanical**

Torque	: 1.2Nm(10.5Lb-In.)
Ambient temperature	: -40°C~+105°C
Strip length	: 10mm

※**Dimensions**

Pitch	: 10.16mm(.400")
Poles	: 2P,3P~24P

※**Material**

Housing	: PA66,UL94V-0
Screws	: M4,brass,Ni plated
Pin header	: Copper,Tin plated
Cage	: Brass,Ni plated

※**电气性能**

参考标准	UL	IEC
额定电压	600V	750V
额定电流	50A	57A
导线线径	20-6AWG 2.5-16.0mm ²	
耐电压	AC3000V/1Min	

※**机械性能**

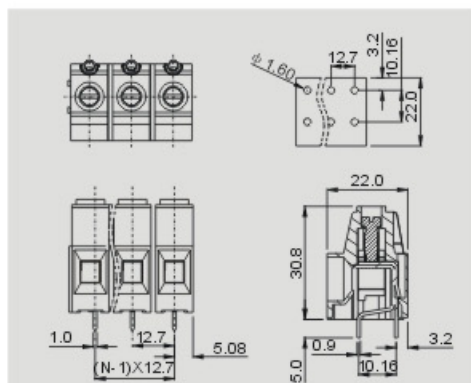
扭力矩	: 1.2Nm(10.5Lb-In.)
环境温度	: -40°C~+105°C
剥线长度	: 10mm

※**尺寸**

间距	: 10.16mm(.400")
极数	: 2P,3P~24P

※**材质和电镀**

塑件	: PA66,UL94V-0
螺丝	: M4,黄铜,镀镍
焊针	: 紫铜,镀锡
方盒	: 黄铜,镀镍



Pitch: 12.7mm; Poles: 2P,3P~24P

APPROVAL

※ Electrical		
Standard	UL	IEC
Rated voltage	600V	750V
Rated current	50A	57A
Wire range	20-6AWG 2.5-16.0mm ²	
Withstanding voltage	AC3000V/1Min	

※**Mechanical**

Torque	: 1.2Nm(10.5Lb-In.)
Ambient temperature	: -40°C~+105°C
Strip length	: 10mm

※**Dimensions**

Pitch	: 12.7mm(.500")
Poles	: 2P,3P~24P

※**Material**

Housing	: PA66,UL94V-0
Screws	: M4,brass,Ni plated
Pin header	: Copper,Tin plated
Cage	: Brass,Ni plated

※**电气性能**

参考标准	UL	IEC
额定电压	600V	750V
额定电流	50A	57A
导线线径	20-6AWG 2.5-16.0mm ²	
耐电压	AC3000V/1Min	

※**机械性能**

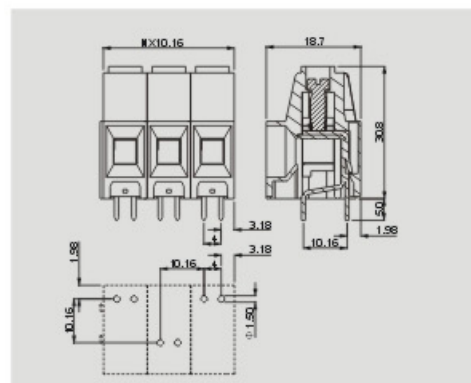
扭力矩	: 1.2Nm(10.5Lb-In.)
环境温度	: -40°C~+105°C
剥线长度	: 10mm

※**尺寸**

间距	: 12.7mm(.500")
极数	: 2P,3P~24P

※**材质和电镀**

塑件	: PA66,UL94V-0
螺丝	: M4,黄铜,镀镍
焊针	: 紫铜,镀锡
方盒	: 黄铜,镀镍



Pitch: 10.16mm; Poles: 1P~XXP

APPROVAL

※ Electrical		
Standard	UL	IEC
Rated voltage	600V	750V
Rated current	50A	57A
Wire range	26-10AWG 2.5-16.0mm ²	
Withstanding voltage	AC3500V/1Min	

※**Mechanical**

Torque	: 0.5Nm(4.4Lb-In.)
Ambient temperature	: -40°C~+105°C
Strip length	: 8-9mm

※**Dimensions**

Pitch	: 10.16mm(.400")
Poles	: 1P~XXP

※**Material**

Housing	: PA66,UL94V-0
Screws	: M3,steel,Cr ⁺ Zn plated
Pin header	: Copper,Tin plated
Cage	: Brass,Ni plated

※**电气性能**

参考标准	UL	IEC
额定电压	600V	750V
额定电流	50A	57A
导线线径	26-10AWG 2.5-16.0mm ²	
耐电压	AC3500V/1Min	

※**机械性能**

扭力矩	: 0.5Nm(4.4Lb-In.)
环境温度	: -40°C~+105°C
剥线长度	: 8-9mm

※**尺寸**

间距	: 10.16mm(.400")
极数	: 1P~XXP

※**材质和电镀**

塑件	: PA66,UL94V-0
螺丝	: M3,钢,镀Cr ⁺ 钝化彩锌
焊针	: 紫铜,镀锡
方盒	: 黄铜,镀镍

DEVE-
LOPING

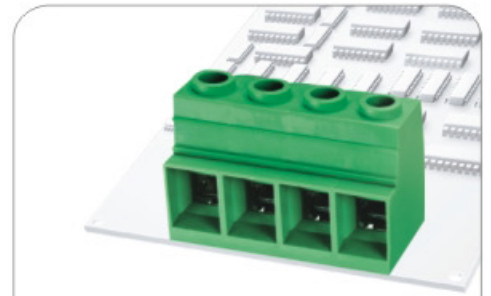


DG138T-10.16-10A

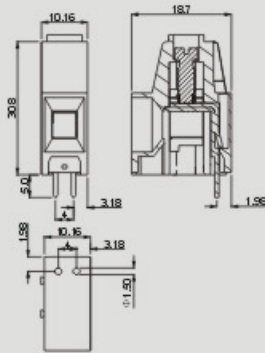
DEVE-
LOPING



DG138T-10.16-20A



DG137T-15.0



Pitch: 10.16mm; Poles: 1P~XXP

APPROVAL

Standard	: UL	IEC
Rated voltage	: 600V	750V
Rated current	: 50A	57A
Wire range	: 26-10AWG 2.5-16.0mm ²	
Withstanding voltage	: AC3500V/1Min	

※Mechanical

Torque	: 0.5Nm (4.4Lb-In.)
Ambient temperature	: -40°C ~ +105°C
Strip length	: 8-9mm

※Dimensions

Pitch	: 10.16mm (.400")
Poles	: 1P~XXP

※Material

Housing	: PA66, UL94V-0
Screws	: M3, steel, Cr ⁺ Zn plated
Pin header	: Copper, Tin plated
Cage	: Brass, Ni plated

※电气性能

参考标准	: UL	IEC
额定电压	: 600V	750V
额定电流	: 50A	57A
导线线径	: 26-10AWG 2.5-16.0mm ²	
耐电压	: AC3500V/1Min	

※机械性能

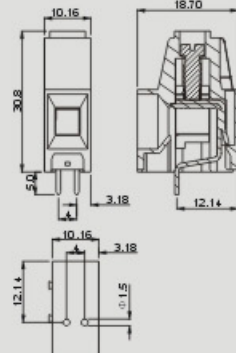
扭力矩	: 0.5Nm (4.4Lb-In.)
环境温度	: -40°C ~ +105°C
剥线长度	: 8-9mm

※尺寸

间距	: 10.16mm (.400")
极数	: 1P~XXP

※材质和电镀

塑件	: PA66, UL94V-0
螺丝	: M3, 钢, 镀Cr ⁺ 钝化彩锌
焊针	: 紫铜, 镀锡
方盒	: 黄铜, 镀镍



Pitch: 10.16mm; Poles: 1P~XXP

APPROVAL

Standard	: UL	IEC
Rated voltage	: 600V	750V
Rated current	: 50A	57A
Wire range	: 26-10AWG 2.5-16.0mm ²	
Withstanding voltage	: AC3500V/1Min	

※Mechanical

Torque	: 0.5Nm (4.4Lb-In.)
Ambient temperature	: -40°C ~ +105°C
Strip length	: 8-9mm

※Dimensions

Pitch	: 10.16mm (.400")
Poles	: 1P~XXP

※Material

Housing	: PA66, UL94V-0
Screws	: M3, steel, Cr ⁺ Zn plated
Pin header	: Copper, Tin plated
Cage	: Brass, Ni plated

※电气性能

参考标准	: UL	IEC
额定电压	: 600V	750V
额定电流	: 50A	57A
导线线径	: 26-10AWG 2.5-16.0mm ²	
耐电压	: AC3500V/1Min	

※机械性能

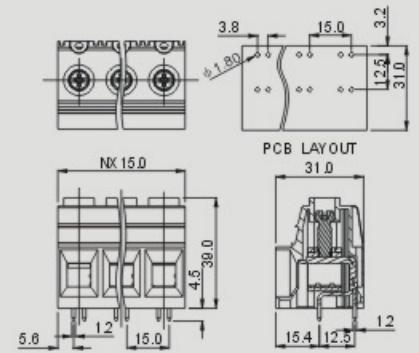
扭力矩	: 0.5Nm (4.4Lb-In.)
环境温度	: -40°C ~ +105°C
剥线长度	: 8-9mm

※尺寸

间距	: 10.16mm (.400")
极数	: 1P~XXP

※材质和电镀

塑件	: PA66, UL94V-0
螺丝	: M3, 钢, 镀Cr ⁺ 钝化彩锌
焊针	: 紫铜, 镀锡
方盒	: 黄铜, 镀镍



Pitch: 15.0mm; Poles: 2P,3P~9P

APPROVAL

Standard	: UL	IEC
Rated voltage	: 600V	1000V
Rated current	: 90A	125A
Wire range	: 20-2AWG 25mm ²	
Withstanding voltage	: AC3500V/1Min	

※Mechanical

Torque	: 2.0Nm (17.5Lb-In.)
Ambient temperature	: -40°C ~ +105°C
Strip length	: 18mm

※Dimensions

Pitch	: 15.0mm (.590")
Poles	: 2P,3P~9P

※Material

Housing	: PA66, UL94V-0
Screws	: M5, steel, Cr ⁺ Zn plated
Pin header	: Copper, Tin plated
Cage	: Steel, Cr ⁺ Zn plated

※电气性能

参考标准	: UL	IEC
额定电压	: 600V	1000V
额定电流	: 90A	125A
导线线径	: 20-2AWG 25.0mm ²	
耐电压	: AC3500V/1Min	

※机械性能

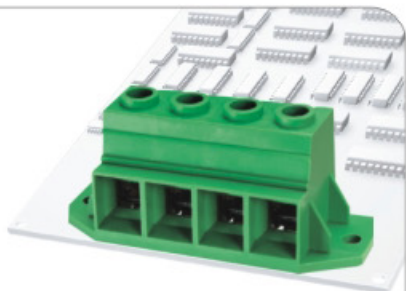
扭力矩	: 2.0Nm (17.5Lb-In.)
环境温度	: -40°C ~ +105°C
剥线长度	: 18mm

※尺寸

间距	: 15.0mm (.590")
极数	: 2P,3P~9P

※材质和电镀

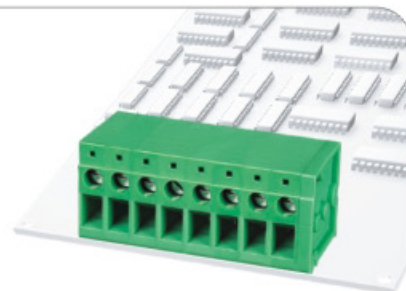
塑件	: PA66, UL94V-0
螺丝	: M5, 钢, 镀Cr ⁺ 钝化彩锌
焊针	: 紫铜, 镀锡
方盒	: 钢, 镀Cr ⁺ 钝化彩锌



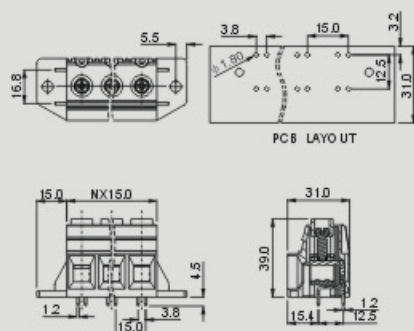
DG137TM-15.0



DG137TM-15.0-10A



**DG105R-5.0
DG105R-7.5**



Pitch: 15.0mm; Poles: 2P,3P~9P

APPROVAL

※ Electrical		
Standard	UL	IEC
Rated voltage	600V	1000V
Rated current	90A	125A
Wire range	20-2AWG	25mm ²
Withstanding voltage	AC3500V/1Min	

※ **Mechanical**

Torque	2.0Nm(17.5Lb-In.)	
Ambient temperature	-40°C~+105°C	
Strip length	18mm	

※ **Dimensions**

Pitch	15.0mm(.590")	
Poles	2P,3P~9P	

※ **Material**

Housing	PA66,UL94V-0	
Screws	M5,steel,Cr ⁺ Zn plated	
Pin header	Copper,Tin plated	
Cage	Steel,Cr ⁺ Zn plated	

※ **电气性能**

参考标准	UL	IEC
额定电压	600V	1000V
额定电流	90A	125A
导线线径	20-2AWG	25.0mm ²
耐电压	AC3500V/1Min	

※ **机械性能**

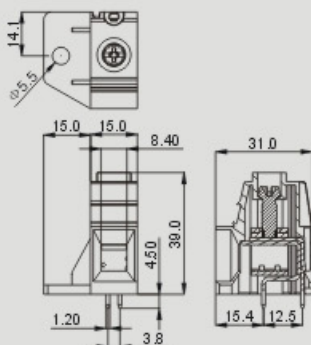
扭力矩	2.0Nm(17.5Lb-In.)	
环境温度	-40°C~+105°C	
剥线长度	18mm	

※ **尺寸**

间距	15.0mm(.590")	
极数	2P,3P~9P	

※ **材质和电镀**

塑件	PA66,UL94V-0	
螺丝	M5,铜,镀Cr ⁺ 钝化彩锌	
焊针	紫铜,镀锡	
方盒	铜,镀Cr ⁺ 钝化彩锌	



Pitch: 15.0mm; Poles: 1P

APPROVAL

※ Electrical		
Standard	UL	IEC
Rated voltage	600V	1000V
Rated current	90A	125A
Wire range	20-2AWG	25mm ²
Withstanding voltage	AC3500V/1Min	

※ **Mechanical**

Torque	2.0Nm(17.5Lb-In.)	
Ambient temperature	-40°C~+105°C	
Strip length	18mm	

※ **Dimensions**

Pitch	15.0mm(.590")	
Poles	1P	

※ **Material**

Housing	PA66,UL94V-0	
Screws	M5,steel,Cr ⁺ Zn plated	
Pin header	Copper,Tin plated	
Cage	Steel,Cr ⁺ Zn plated	

※ **电气性能**

参考标准	UL	IEC
额定电压	600V	1000V
额定电流	90A	125A
导线线径	20-2AWG	25.0mm ²
耐电压	AC3500V/1Min	

※ **机械性能**

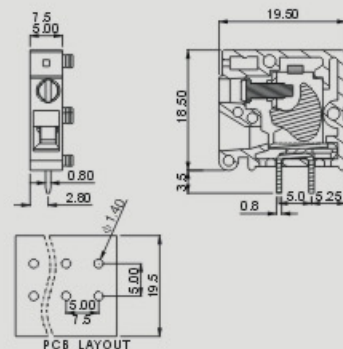
扭力矩	2.0Nm(17.5Lb-In.)	
环境温度	-40°C~+105°C	
剥线长度	18mm	

※ **尺寸**

间距	15.0mm(.590")	
极数	1P	


※ **材质和电镀**

塑件	PA66,UL94V-0	
螺丝	M5,铜,镀Cr ⁺ 钝化彩锌	
焊针	紫铜,镀锡	
方盒	铜,镀Cr ⁺ 钝化彩锌	



Pitch: 5.0,7.5mm; Poles: 1P~XXP

APPROVAL

			in the course of application	
※ Electrical				
Standard	UL	IEC		
Rated voltage	300V	250V		
Rated current	10A	24A		
Wire range	24-14AWG	0.5-2.5mm ²		
Withstanding voltage	AC2000V/1Min			

※ **Mechanical**

Torque	0.4Nm(3.5Lb-In.)	
Ambient temperature	-40°C~+105°C	
Strip length	9mm	

※ **Dimensions**

Pitch	5.0mm(.197") 7.5mm(.295")	
Poles	1P~XXP	

※ **Material**

Housing	PA66,UL94V-0	
Screws	M2.5,steel,Cr ⁺ Zn plated	
Pin header	Copper,Tin plated	
Cage	Steel,Cr ⁺ Zn plated	

※ **电气性能**

参考标准	UL	IEC
额定电压	300V	250V
额定电流	10A	24A
导线线径	24-14AWG	0.5-2.5mm ²
耐电压	AC2000V/1Min	

※ **机械性能**

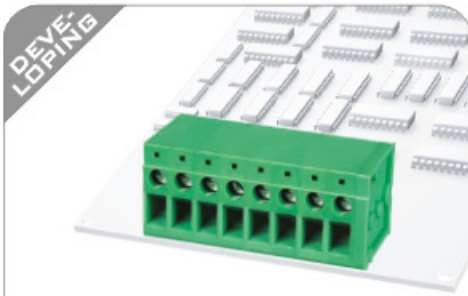
扭力矩	0.4Nm(3.5Lb-In.)	
环境温度	-40°C~+105°C	
剥线长度	9mm	

※ **尺寸**

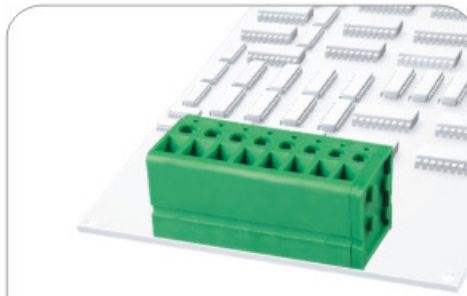
间距	5.0mm(.197") 7.5mm(.295")	
极数	1P~XXP	

※ **材质和电镀**

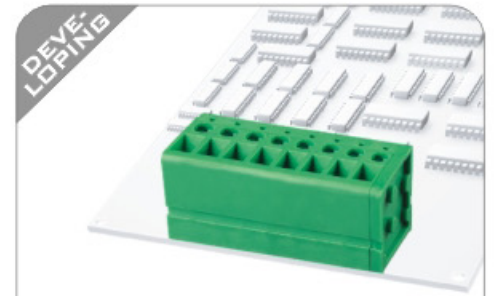
塑件	PA66,UL94V-0	
螺丝	M2.5,铜,镀Cr ⁺ 钝化彩锌	
焊针	紫铜,镀锡	
方盒	铜,镀Cr ⁺ 钝化彩锌	



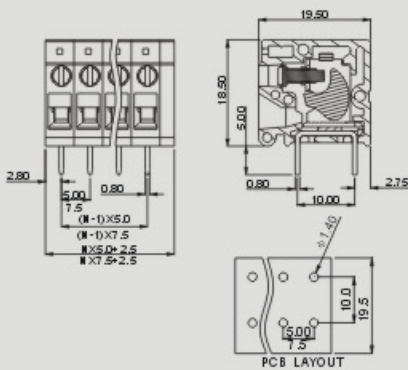
DG105R-5.0-10A
DG105R-7.5-10A



DG105V-5.0
DG105V-7.5



DG105V-5.0-10A
DG105V-7.5-10A



Pitch: 5.0,7.5mm; Poles: 1P~XXP

APPROVAL

Standard	: UL	IEC
Rated voltage	: 300V	250V
Rated current	: 10A	24 A
Wire range	: 24-14AWG	0.5-2.5mm ²
Withstanding voltage	: AC2000V/1Min	

※Mechanical

Torque	: 0.4Nm(3.5Lb-In.)
Ambient temperature	: -40°C~+105°C
Strip length	: 9mm

※Dimensions

Pitch	: 5.0mm(.197") 7.5mm(.295")
Poles	: 1P~XXP

※Material

Housing	: PA66,UL94V-0
Screws	: M2.5,steel,Cr ⁺⁺ Zn plated
Pin header	: Copper,Tin plated
Cage	: Steel,Cr ⁺⁺ Zn plated

※电气性能

参考标准	: UL	IEC
额定电压	: 300V	250V
额定电流	: 10A	24A
导线线径	: 24-14AWG	0.5-2.5mm ²
耐电压	: AC2000V/1Min	

※机械性能

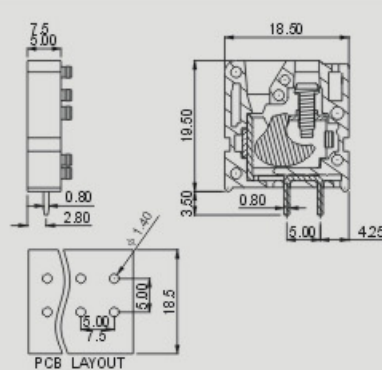
扭力矩	: 0.4Nm(3.5Lb-In.)
环境温度	: -40°C~+105°C
剥线长度	: 9mm

※尺寸

间距	: 5.0mm(.197") 7.5mm(.295")
极数	: 1P~XXP

※材质和电镀

塑件	: PA66,UL94V-0
螺丝	: M2.5,钢,镀Cr ⁺⁺ 钝化彩锌
焊针	: 紫铜,镀锡
方盒	: 钢,镀Cr ⁺⁺ 钝化彩锌



Pitch: 5.0,7.5mm; Poles: 1P~XXP

APPROVAL

Standard	: UL	IEC
Rated voltage	: 300V	250V
Rated current	: 10A	24 A
Wire range	: 24-14AWG	0.5-2.5mm ²
Withstanding voltage	: AC2000V/1Min	

※Mechanical

Torque	: 0.4Nm(3.5Lb-In.)
Ambient temperature	: -40°C~+105°C
Strip length	: 9mm

※Dimensions

Pitch	: 5.0mm(.197") 7.5mm(.295")
Poles	: 1P~XXP

※Material

Housing	: PA66,UL94V-0
Screws	: M2.5,steel,Cr ⁺⁺ Zn plated
Pin header	: Copper,Tin plated
Cage	: Steel,Cr ⁺⁺ Zn plated

※电气性能

参考标准	: UL	IEC
额定电压	: 300V	250V
额定电流	: 10A	24A
导线线径	: 24-14AWG	0.5-2.5mm ²
耐电压	: AC2000V/1Min	

※机械性能

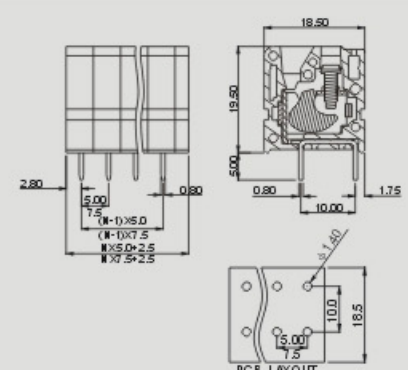
扭力矩	: 0.4Nm(3.5Lb-In.)
环境温度	: -40°C~+105°C
剥线长度	: 9mm

※尺寸

间距	: 5.0mm(.197") 7.5mm(.295")
极数	: 1P~XXP

※材质和电镀

塑件	: PA66,UL94V-0
螺丝	: M2.5,钢,镀Cr ⁺⁺ 钝化彩锌
焊针	: 紫铜,镀锡
方盒	: 钢,镀Cr ⁺⁺ 钝化彩锌



Pitch: 5.0,7.5mm; Poles: 1P~XXP

APPROVAL

Standard	: UL	IEC
Rated voltage	: 300V	250V
Rated current	: 10A	24 A
Wire range	: 24-14AWG	0.5-2.5mm ²
Withstanding voltage	: AC2000V/1Min	

※Mechanical

Torque	: 0.4Nm(3.5Lb-In.)
Ambient temperature	: -40°C~+105°C
Strip length	: 9mm

※Dimensions

Pitch	: 5.0mm(.197") 7.5mm(.295")
Poles	: 1P~XXP

※Material

Housing	: PA66,UL94V-0
Screws	: M2.5,steel,Cr ⁺⁺ Zn plated
Pin header	: Copper,Tin plated
Cage	: Steel,Cr ⁺⁺ Zn plated

※电气性能

参考标准	: UL	IEC
额定电压	: 300V	250V
额定电流	: 10A	24A
导线线径	: 24-14AWG	0.5-2.5mm ²
耐电压	: AC2000V/1Min	

※机械性能

扭力矩	: 0.4Nm(3.5Lb-In.)
环境温度	: -40°C~+105°C
剥线长度	: 9mm

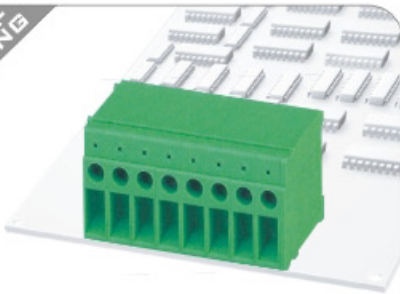
※尺寸

间距	: 5.0mm(.197") 7.5mm(.295")
极数	: 1P~XXP

※材质和电镀

塑件	: PA66,UL94V-0
螺丝	: M2.5,钢,镀Cr ⁺⁺ 钝化彩锌
焊针	: 紫铜,镀锡
方盒	: 钢,镀Cr ⁺⁺ 钝化彩锌

DEVE-
LOPING

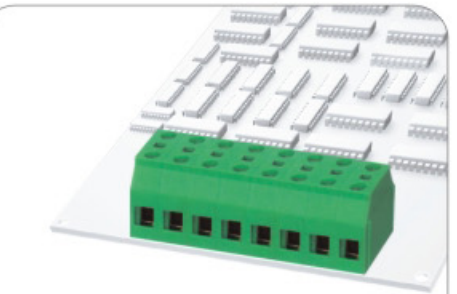


DG107R-6.35
DG107R-7.62

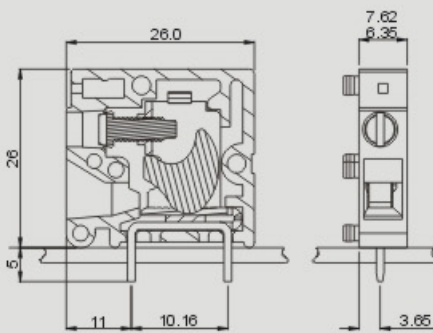
DEVE-
LOPING



DG107V-6.35
DG107V-7.62



PS4



Pitch: 6.35,7.62mm; Poles: 1P~XXP

APPROVAL

※ Electrical			
Standard	: UL		IEC
Rated voltage	: 250V		320,630V
Rated current	: 30A		32A
Wire range	: 24-10AWG		4.0 mm ²
With standing voltage	: AC2000V/1Min		

※ **Mechanical**

Torque	: 0.5Nm(4.4Lb-In.)
Ambient temperature	: -40°C~ +105°C
Strip length	: 14 mm

※ **Dimensions**

Pitch	: 6.35mm(.250") 7.62mm(.300")
Poles	: 1P~XXP

※ **Material**

Housing	: PA66,UL94V-0
Screws	: M3,steel,Cr ⁺ Zn plated
Pin header	: Copper,Tin plated
Cage	: Steel,Cr ⁺ Zn plated

※ **电气性能**

参考标准:	UL	IEC
额定电压:	250V	320V,630V
额定电流:	30A	32A
导线线径:	24-10AWG	4.0mm ²
耐电压:	AC2000V/1Min	

※ **机械性能**

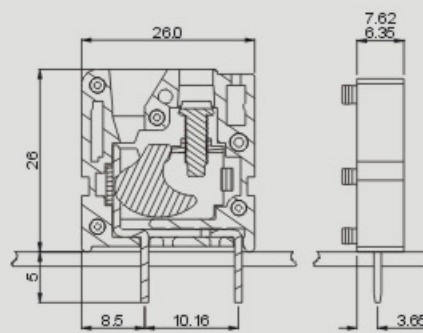
扭力矩:	0.5Nm(4.4Lb-In.)
环境温度:	-40°C~ +105°C
剥线长度:	14 mm

※ **尺寸**

间距:	6.35mm(.250") 7.62mm(.300")
极数:	1P~XXP

※ **材质和电镀**

塑件:	PA66,UL94V-0
螺丝:	M3,钢,镀Cr ⁺ 钝化彩锌
焊针:	紫铜,镀锡
方盒:	钢,镀Cr ⁺ 钝化彩锌



Pitch: 6.35,7.62mm; Poles: 1P~XXP

APPROVAL

※ Electrical			
Standard	: UL		IEC
Rated voltage	: 250V		320,630V
Rated current	: 30A		32A
Wire range	: 24-10AWG		4.0 mm ²
With standing voltage	: AC2000V/1Min		

※ **Mechanical**

Torque	: 0.5Nm(4.4Lb-In.)
Ambient temperature	: -40°C~ +105°C
Strip length	: 14 mm

※ **Dimensions**

Pitch	: 6.35mm(.250") 7.62mm(.300")
Poles	: 1P~XXP

※ **Material**

Housing	: PA66,UL94V-0
Screws	: M3,steel,Cr ⁺ Zn plated
Pin header	: Copper,Tin plated
Cage	: Steel,Cr ⁺ Zn plated

※ **电气性能**

参考标准:	UL	IEC
额定电压:	250V	320V,630V
额定电流:	30A	32A
导线线径:	24-10AWG	4.0mm ²
耐电压:	AC2000V/1Min	

※ **机械性能**

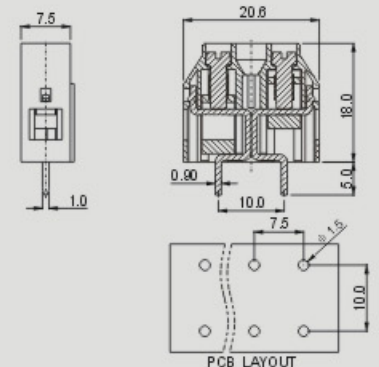
扭力矩:	0.5Nm(4.4Lb-In.)
环境温度:	-40°C~ +105°C
剥线长度:	14 mm

※ **尺寸**

间距:	6.35mm(.250") 7.62mm(.300")
极数:	1P~XXP

※ **材质和电镀**

塑件:	PA66,UL94V-0
螺丝:	M3,钢,镀Cr ⁺ 钝化彩锌
焊针:	紫铜,镀锡
方盒:	钢,镀Cr ⁺ 钝化彩锌



Pitch: 7.5mm; Poles: 1P~XXP

APPROVAL

※ Electrical			
Standard	: UL		IEC
Rated voltage	: 300V		320V
Rated current	: 30A		32A
Wire range	: 24-10AWG		0.5-4.0 mm ²
With standing voltage	: AC2500V/1Min		

※ **Mechanical**

Torque	: 0.5Nm(4.4Lb-In.)
Ambient temperature	: -40°C~ +105°C
Strip length	: 8mm

※ **Dimensions**

Pitch	: 7.5mm(.295")
Poles	: 1P~XXP

※ **Material**

Housing	: PA66,UL94V-0
Screws	: M3,brass,Ni plated
Pin header	: Copper,Tin plated
Cage	: Brass,Ni plated

※ **电气性能**

参考标准:	UL	IEC
额定电压:	300V	320V
额定电流:	30A	32A
导线线径:	24-10AWG	0.5-4.0mm ²
耐电压:	AC2500V/1Min	

※ **机械性能**

扭力矩:	0.5Nm(4.4Lb-In.)
环境温度:	-40°C~ +105°C
剥线长度:	8mm

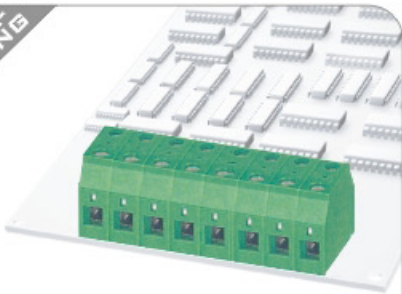
※ **尺寸**

间距:	7.5mm(.295")
极数:	1P~XXP

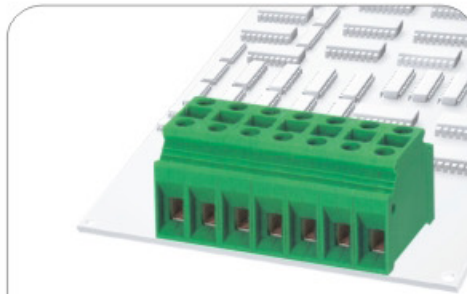
※ **材质和电镀**

塑件:	PA66,UL94V-0
螺丝:	M3,黄铜,镀镍
焊针:	紫铜,镀锡
方盒:	黄铜,镀镍

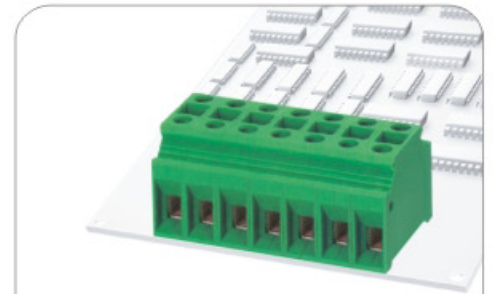
DEVELOPING



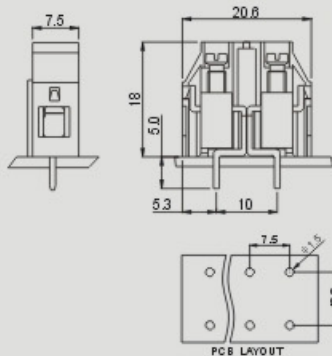
PS4-10A



PS10



PS10-10A



Pitch: 7.5mm; Poles: 1P~XXP

APPROVAL :
※Electrical
 Standard : UL IEC
 Rated voltage : 300V 320V
 Rated current : 30A 32A
 Wire range : 24-10AWG 0.5-4.0 mm²
 Withstanding voltage : AC2500V/1Min

※Mechanical
 Torque : 0.5Nm (4.4Lb-In.)
 Ambient temperature : -40°C~+105°C
 Strip length : 8mm

※Dimensions
 Pitch : 7.5mm (.295")
 Poles : 1P~XXP

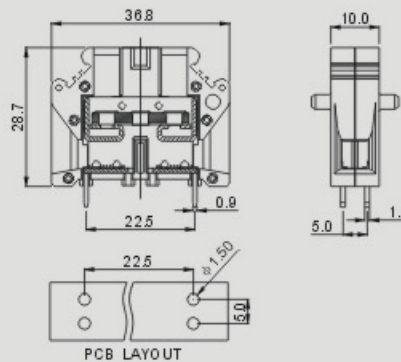
※Material
 Housing : PA66, UL94V-0
 Screws : M3, brass, Ni plated
 Pin header : Copper, Tin plated
 Cage : Brass, Ni plated

※电气性能
 参考标准: UL IEC
 额定电压: 300V 320V
 额定电流: 30A 32A
 导线线径: 24-10AWG 0.5-4.0mm²
 耐电压: AC2500V/1Min

※机械性能
 扭力矩: 0.5Nm (4.4Lb-In.)
 环境温度: -40°C~+105°C
 剥线长度: 8mm

※尺寸
 间距: 7.5mm (.295")
 极数: 1P~XXP

※材质和电镀
 塑件: PA66, UL94V-0
 螺丝: M3, 黄铜, 镀镍
 焊针: 紫铜, 镀锡
 方盒: 黄铜, 镀镍



Pitch: 10.0mm; Poles: 1P~XXP

APPROVAL :
※Electrical
 Standard : UL IEC
 Rated voltage : 600V 630V
 Rated current : 50A 57A
 Wire range : 20-6AWG 10.0 mm²
 Withstanding voltage : AC3000V/1Min

※Mechanical
 Torque : 1.2Nm (10.5Lb-In.)
 Ambient temperature : -40°C~+105°C
 Strip length : 12mm

※Dimensions
 Pitch : 10.0mm (.394")
 Poles : 1P~XXP

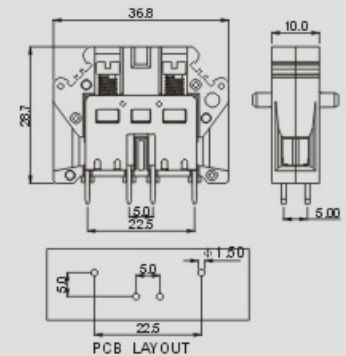
※Material
 Housing : PA66, UL94V-0
 Screws : M4, steel, Cr⁺⁺ Zn plated
 Pin header : Brass, Tin plated

※电气性能
 参考标准: UL IEC
 额定电压: 600V 630V
 额定电流: 50A 57A
 导线线径: 20-6AWG 10.0mm²
 耐电压: AC3000V/1Min

※机械性能
 扭力矩: 1.2Nm (10.5Lb-In.)
 环境温度: -40°C~+105°C
 剥线长度: 12mm

※尺寸
 间距: 10.0mm (.394")
 极数: 1P~XXP

※材质和电镀
 塑件: PA66, UL94V-0
 螺丝: M4, 铜, 镀Cr⁺⁺钝化彩锌
 焊针: 黄铜, 镀锡



Pitch: 10.0mm; Poles: 1P~XXP

APPROVAL :
※Electrical
 Standard : UL IEC
 Rated voltage : 600V 630V
 Rated current : 50A 57A
 Wire range : 20-6AWG 10.0 mm²
 Withstanding voltage : AC3000V/1Min

※Mechanical
 Torque : 1.2Nm (10.5Lb-In.)
 Ambient temperature : -40°C~+105°C
 Strip length : 12mm

※Dimensions
 Pitch : 10.0mm (.394")
 Poles : 1P~XXP

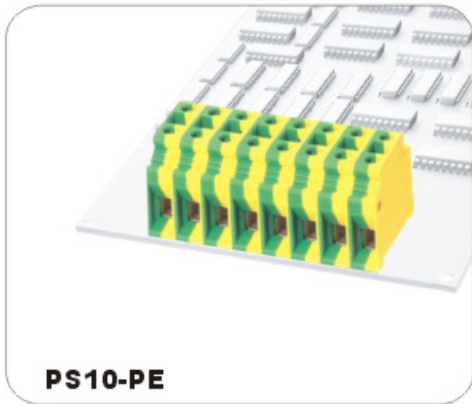
※Material
 Housing : PA66, UL94V-0
 Screws : M4, steel, Cr⁺⁺ Zn plated
 Pin header : Brass, Tin plated

※电气性能
 参考标准: UL IEC
 额定电压: 600V 630V
 额定电流: 50A 57A
 导线线径: 20-6AWG 10.0mm²
 耐电压: AC3000V/1Min

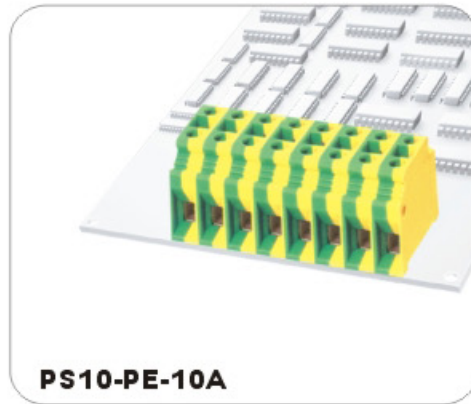
※机械性能
 扭力矩: 1.2Nm (10.5Lb-In.)
 环境温度: -40°C~+105°C
 剥线长度: 12mm

※尺寸
 间距: 10.0mm (.394")
 极数: 1P~XXP

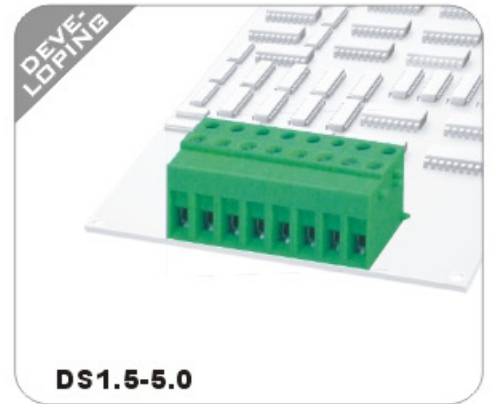
※材质和电镀
 塑件: PA66, UL94V-0
 螺丝: M4, 铜, 镀Cr⁺⁺钝化彩锌
 焊针: 黄铜, 镀锡



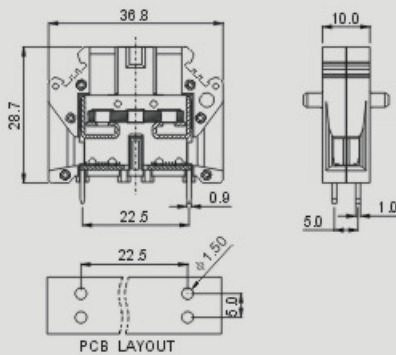
PS10-PE



PS10-PE-10A



DS1.5-5.0



Pitch: 10.0mm; Poles: 1P~XXP

APPROVAL :

※ **Electrical**
 Standard : UL IEC
 Wire range : 20-6AWG 10.0mm²
 Withstanding voltage : AC2000V/1Min

※ **Mechanical**
 Torque : 1.2Nm(10.5Lb-In.)
 Ambient temperature : -40°C~+105°C
 Strip length : 12mm

※ **Dimensions**
 Pitch : 10.0mm(.394")
 Poles : 1P~XXP

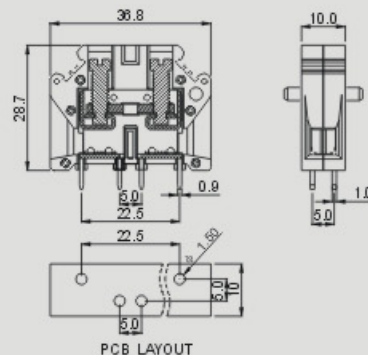
※ **Material**
 Housing : PA66,UL94V-0
 Screws : M4,steel,Cr⁺Zn plated
 Pin header : Brass,Tin plated

※ **电气性能**
 参考标准: UL IEC
 导线线径: 20-6AWG 10.0mm²
 耐电压: AC2000V/1Min

※ **机械性能**
 扭力矩: 1.2Nm(10.5Lb-In.)
 环境温度: -40°C~+105°C
 剥线长度: 12mm

※ **尺寸**
 间距: 10.0mm(.394")
 极数: 1P~XXP

※ **材质和电镀**
 塑件: PA66,UL94V-0
 螺丝: M4,铜镀Cr⁺钝化彩锌
 焊针: 黄铜,镀锡



Pitch: 10.0mm; Poles: 1P~XXP

APPROVAL :

※ **Electrical**
 Standard : UL IEC
 Wire range : 20-6AWG 10.0mm²
 Withstanding voltage : AC2000V/1Min

※ **Mechanical**
 Torque : 1.2Nm(10.5Lb-In.)
 Ambient temperature : -40°C~+105°C
 Strip length : 12mm

※ **Dimensions**
 Pitch : 10.0mm(.394")
 Poles : 1P~XXP

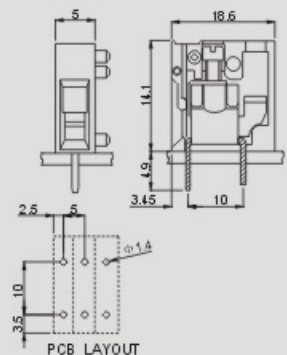
※ **Material**
 Housing : PA66,UL94V-0
 Screws : M4,steel,Cr⁺Zn plated
 Pin header : Brass,Tin plated

※ **电气性能**
 参考标准: UL IEC
 导线线径: 20-6AWG 10.0mm²
 耐电压: AC2000V/1Min

※ **机械性能**
 扭力矩: 1.2Nm(10.5Lb-In.)
 环境温度: -40°C~+105°C
 剥线长度: 12mm

※ **尺寸**
 间距: 10.0mm(.394")
 极数: 1P~XXP

※ **材质和电镀**
 塑件: PA66,UL94V-0
 螺丝: M4,铜镀Cr⁺钝化彩锌
 焊针: 黄铜,镀锡



Pitch: 5.0mm; Poles: 1P~XXP

APPROVAL :

※ **Electrical**
 Standard : UL IEC
 Rated voltage : 250V 320V
 Rated current : 15A 17.5A
 Wire range : 30-14AWG 1.5mm²
 Withstanding voltage : AC2500V/1Min

※ **Mechanical**
 Torque : 0.4Nm(3.5Lb-In.)
 Ambient temperature : -40°C~+105°C
 Strip length : 10mm

※ **Dimensions**
 Pitch : 5.0mm(.197")
 Poles : 1P~XXP

※ **Material**
 Housing : PA66,UL94V-0
 Screws : M2.5,steel,Cr⁺Zn plated
 Pin header : Copper,Tin plated
 cage : Steel,Cr⁺Zn plated

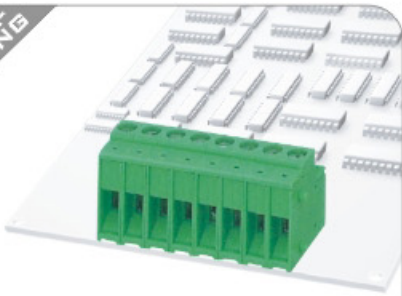
※ **电气性能**
 参考标准: UL IEC
 额定电压: 250V 320V
 额定电流: 15A 17.5A
 导线线径: 30-14AWG 1.5mm²
 耐电压: AC2500V/1Min

※ **机械性能**
 扭力矩: 0.4Nm(3.5Lb-In.)
 环境温度: -40°C~+105°C
 剥线长度: 10mm

※ **尺寸**
 间距: 5.0mm(.197")
 极数: 1P~XXP

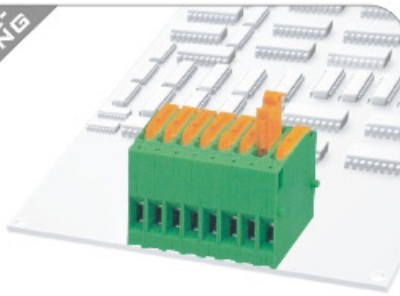
※ **材质和电镀**
 塑件: PA66,UL94V-0
 螺丝: M2.5,铜镀Cr⁺钝化彩锌
 焊针: 紫铜,镀锡
 方盒: 铜镀Cr⁺钝化彩锌

DEVE-
LOPING



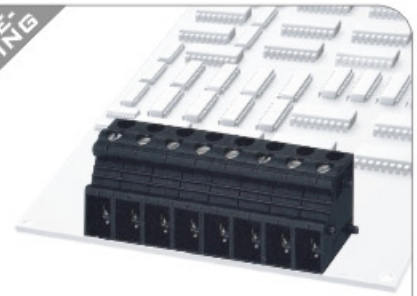
DS2.5-5.0

DEVE-
LOPING

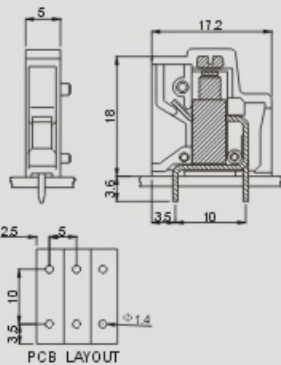


DSMT2.5-5.08

DEVE-
LOPING



DEX4-7.5



Pitch: 5.0mm; Poles: 1P~XXP

APPROVAL :
※Electrical
 Standard : UL IEC
 Rated voltage : 250V 320V
 Rated current : 15A 24A
 Wire range : 30-12AWG 2.5mm²
 Withstanding voltage : AC2500V/1Min

※Mechanical
 Torque : 0.5Nm(4.4Lb-In.)
 Ambient temperature : -40°C~+105°C
 Strip length : 8mm

※Dimensions
 Pitch : 5.0mm(.197")
 Poles : 1P~XXP

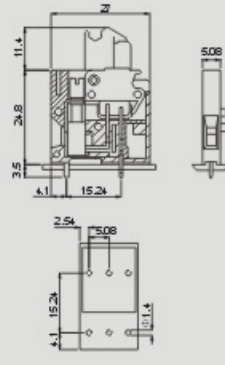
※Material
 Housing : PA66,UL94V-0
 Screws : M3,steel,Cr³⁺Znplated
 Pin header : Copper,Tin plated
 cage : Steel,Cr³⁺Zn plated

※电气性能
 参考标准: UL IEC
 额定电压: 250V 320V
 额定电流: 15A 24A
 导线线径: 30-12AWG 2.5mm²
 耐电压: AC2500V/1Min

※机械性能
 扭力矩: 0.5Nm(4.4Lb-In.)
 环境温度: -40°C~+105°C
 剥线长度: 8mm

※尺寸
 间距: 5.0mm(.197")
 极数: 1P~XXP

※材质和电镀
 塑件: PA66,UL94V-0
 螺丝: M3,钢,镀Cr³⁺钝化彩锌
 焊针: 紫铜,镀锡
 方盒: 钢,镀Cr³⁺钝化彩锌



Pitch: 5.08mm; Poles: 1P~XXP

APPROVAL :
※Electrical
 Standard : UL IEC
 Rated voltage : 250V 320V
 Rated current : 15A 15A
 Wire range : 28-12AWG 2.5mm²
 Withstanding voltage : AC2500V/1Min

※Mechanical
 Torque : 0.5Nm(4.4Lb-In.)
 Ambient temperature : -40°C~+105°C
 Strip length : 8mm

※Dimensions
 Pitch : 5.08mm(.197")
 Poles : 1P~XXP

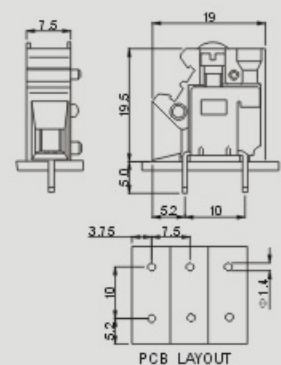
※Material
 Housing : PA66,UL94V-0
 Screws : M3,steel,Cr³⁺Znplated
 Pin header : Copper,Tin plated
 cage : Steel,Cr³⁺Zn plated

※电气性能
 参考标准: UL IEC
 额定电压: 250V 320V
 额定电流: 15A 15A
 导线线径: 28-12AWG 2.5mm²
 耐电压: AC2500V/1Min

※机械性能
 扭力矩: 0.5Nm(4.4Lb-In.)
 环境温度: -40°C~+105°C
 剥线长度: 8mm

※尺寸
 间距: 5.08mm(.197")
 极数: 1P~XXP

※材质和电镀
 塑件: PA66,UL94V-0
 螺丝: M3,钢,镀Cr³⁺钝化彩锌
 焊针: 紫铜,镀锡
 方盒: 钢,镀Cr³⁺钝化彩锌



Pitch: 7.5mm; Poles: 1P~XXP

APPROVAL :
※Electrical
 Standard : UL IEC
 Rated voltage : 250V 630V
 Rated current : 15A 20A
 Wire range : 24-12AWG 2.5mm²
 Withstanding voltage : AC3000V/1Min

※Mechanical
 Torque : 0.5Nm(4.4Lb-In.)
 Ambient temperature : -40°C~+105°C
 Strip length : 9mm

※Dimensions
 Pitch : 7.5mm(.295")
 Poles : 1P~XXP

※Material
 Housing : PA66,UL94V-0
 Screws : M3,steel,Cr³⁺Znplated
 Pin header : Copper,Tin plated
 cage : Steel,Cr³⁺Zn plated

※电气性能
 参考标准: UL IEC
 额定电压: 250V 630V
 额定电流: 15A 20A
 导线线径: 24-12AWG 2.5mm²
 耐电压: AC3000V/1Min

※机械性能
 扭力矩: 0.5Nm(4.4Lb-In.)
 环境温度: -40°C~+105°C
 剥线长度: 9mm

※尺寸
 间距: 7.5mm(.295")
 极数: 1P~XXP

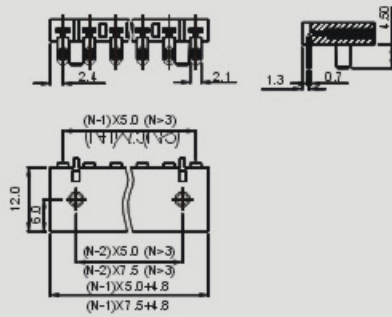
※材质和电镀
 塑件: PA66,UL94V-0
 螺丝: M3,钢,镀Cr³⁺钝化彩锌
 焊针: 紫铜,镀锡
 方盒: 钢,镀Cr³⁺钝化彩锌



DG106-5.0
DG106-7.5



DG106-5.0-10A
DG106-7.5-10A



Pitch: 5.0, 7.5mm; Poles: 1P~18P

APPROVAL :

※ **Electrical**

Standard	: UL	IEC
Rated voltage	: 300V	250V
Rated current	: 2A	4A
Withstanding voltage	: AC2000V/1Min	

※ **Mechanical**

Ambient temperature : -40°C ~ +85°C

※ **Dimensions**

Pitch	: 5.0mm(.197") 7.5mm(.295")
Poles	: 1P~18P

※ **Material**

Housing	: PC,UL94V-0
Pin header	: Brass,Tin plated

※ **电气性能**

参考标准	: UL	IEC
额定电压	: 300V	250V
额定电流	: 2A	4A
耐电压	: AC2000V/1Min	

※ **机械性能**

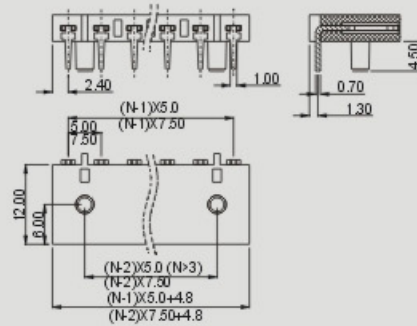
环境温度: -40°C ~ +85°C

※ **尺寸**

间距	: 5.0mm(.197") 7.5mm(.295")
极数	: 1P~18P

※ **材质和电镀**

塑件	: PC,UL94V-0
焊针	: 黄铜,镀锡



Pitch: 5.0, 7.5mm; Poles: 1P~18P

APPROVAL :

※ **Electrical**

Standard	: UL	IEC
Rated voltage	: 300V	250V
Rated current	: 2A	4A
Withstanding voltage	: AC2000V/1Min	

※ **Mechanical**

Ambient temperature : -40°C ~ +85°C

※ **Dimensions**

Pitch	: 5.0mm(.197") 7.5mm(.295")
Poles	: 1P~18P

※ **Material**

Housing	: PC,UL94V-0
Pin header	: Brass,Tin plated

※ **电气性能**

参考标准	: UL	IEC
额定电压	: 300V	250V
额定电流	: 2A	4A
耐电压	: AC2000V/1Min	

※ **机械性能**

环境温度: -40°C ~ +85°C

※ **尺寸**

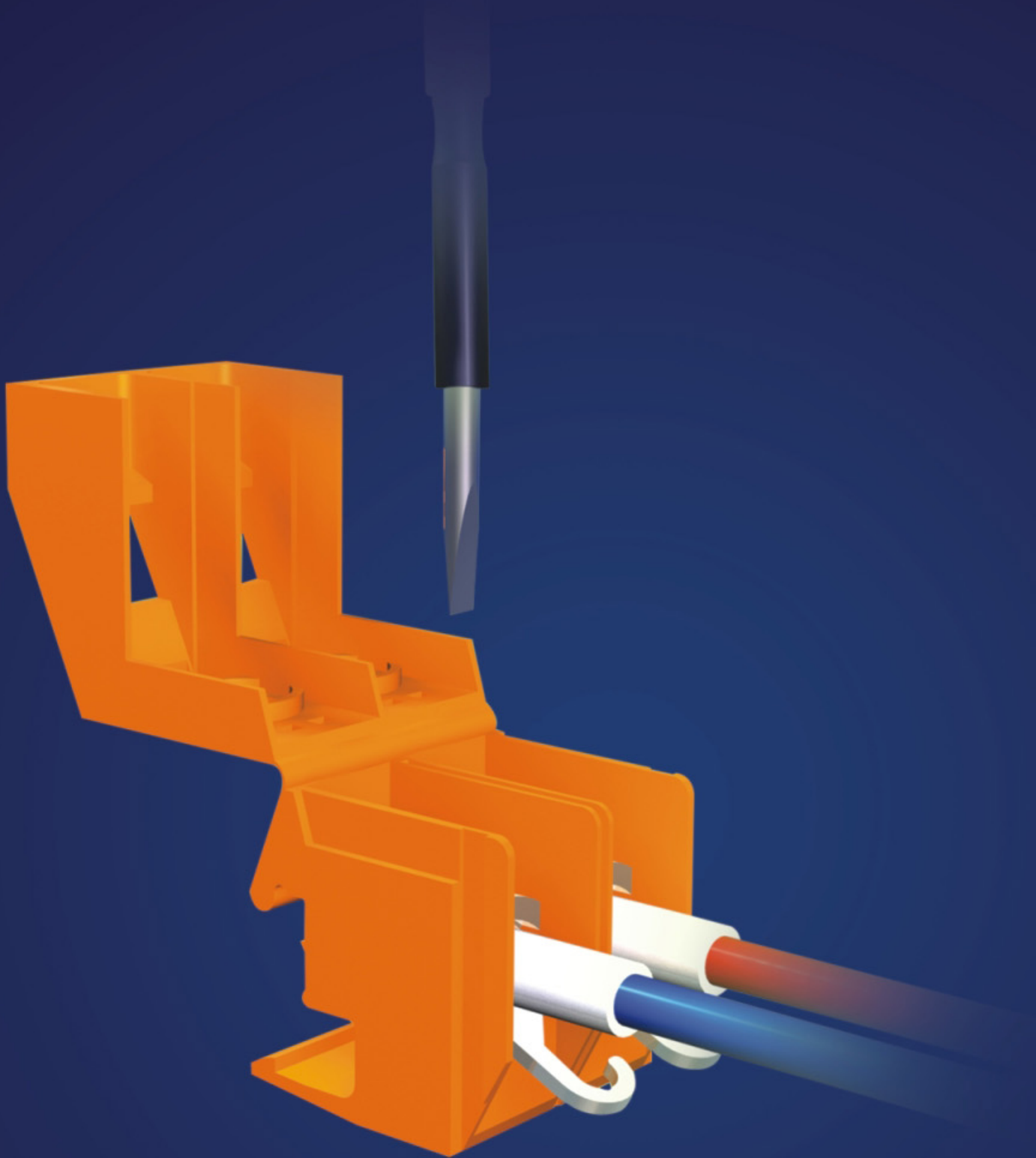
间距	: 5.0mm(.197") 7.5mm(.295")
极数	: 1P~18P

※ **材质和电镀**

塑件	: PC,UL94V-0
焊针	: 黄铜,镀锡

TRANSFORMER Terminal Blocks

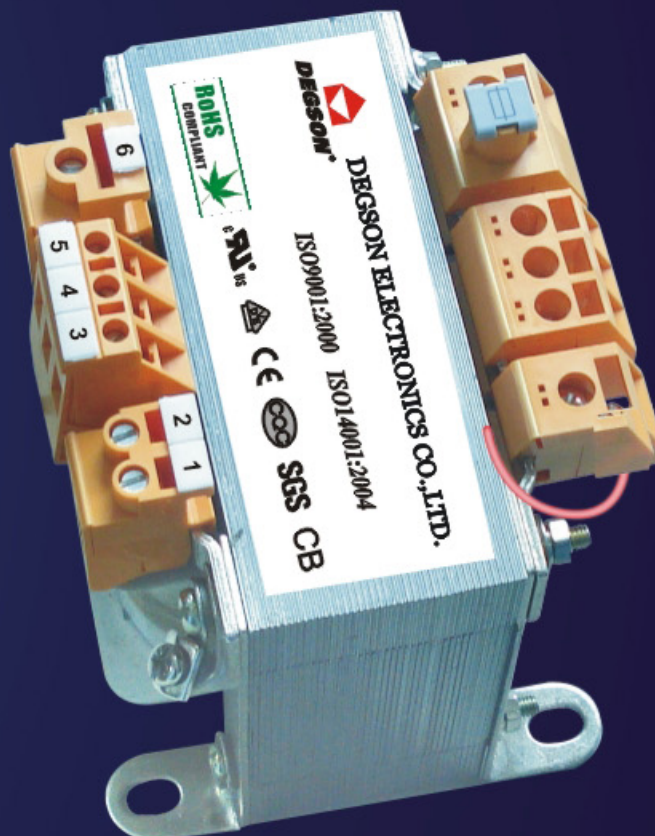
变压器端子



Transformer terminal blocks,with structure design features of easy wire connection and reliable connection;also with snap foot allowing quick fixing to flat mounting rails 10x2mm or to snap-in devices of the winding frame.The product is designed in accordance with IEC60998 and UL 1059 standards.

1. Plastic material use anti-flame PA66 (flame UL94V-0.)
2. Current carrier material: Copper (copper >99%) have good conductivity.
3. Products quality according to UL, IEC,ROHS request.

- 1、塑料件材质采用阻燃性能优良的PA66；阻燃等级达到UL94V-0
- 2、载流体采用含铜量99%以上的紫铜，导电性能最好
- 3、产品性能符合UL，IEC和 ROHS 标准要求





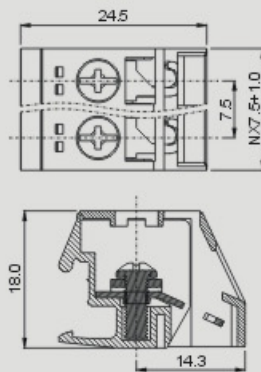
TS2.5





TS4



TS10



Pitch: 7.5mm; Poles: 2P,3P

APPROVAL :  
※Electrical
 Standard : UL IEC
 Rated voltage : 300V 250V
 Rated current : 10A 24A
 Wire range : 24-14AWG 0.5-2.5mm²
 Withstanding voltage : AC2000V/1Min

※Mechanical
 Torque : 0.5Nm (4.4Lb-In.)
 Ambient temperature : -40°C ~ +105°C
 Strip length : 8-10mm

※Dimensions
 Pitch : 7.5mm (.295")
 Poles : 2P,3P

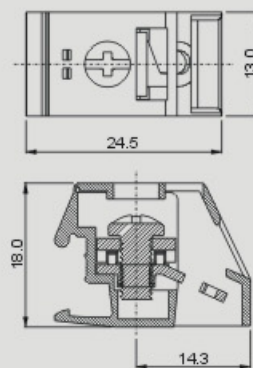
※Material
 Housing : PA66, UL94V-0
 Screws : M3, steel, Cr³⁺ Zn plated
 Contact : Copper, Tin plated

※电气性能
 参考标准: UL IEC
 额定电压: 300V 250V
 额定电流: 10A 24A
 导线线径: 24-14AWG 0.5-2.5mm²
 耐电压: AC2000V/1Min

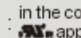
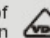
※机械性能
 扭力矩: 0.5Nm (4.4Lb-In.)
 环境温度: -40°C ~ +105°C
 剥线长度: 8-10mm

※尺寸
 间距: 7.5mm (.295")
 极数: 2P,3P

※材质和电镀
 塑件: PA66, UL94V-0
 螺丝: M3, 钢, 镀Cr³⁺钝化彩锌
 触点材料: 紫铜, 镀锡



Pitch: 13.0mm; Poles: 1P

APPROVAL :  
 in the course of application
※Electrical
 Standard : UL IEC
 Rated voltage : 600V 250V
 Rated current : 20A 32A
 Wire range : 24-10AWG 0.75-4.0mm²
 Withstanding voltage : AC2000V/1Min

※Mechanical
 Torque : 1.2Nm (10.5Lb-In.)
 Ambient temperature : -40°C ~ +105°C
 Strip length : 8-10mm

※Dimensions
 Pitch : 13.0mm (.512")
 Poles : 1P

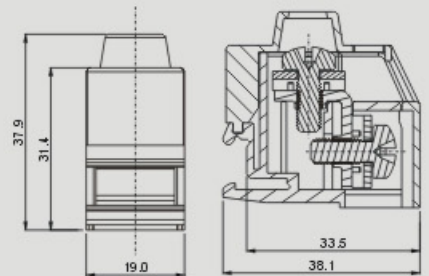
※Material
 Housing : PA66, UL94V-0
 Screws : M4, steel, Cr³⁺ Zn plated
 Contact : Copper, Tin plated

※电气性能
 参考标准: UL IEC
 额定电压: 600V 250V
 额定电流: 20A 32A
 导线线径: 24-10AWG 0.75-4.0mm²
 耐电压: AC2000V/1Min



※机械性能
 扭力矩: 1.2Nm (10.5Lb-In.)
 环境温度: -40°C ~ +105°C
 剥线长度: 8-10mm

※尺寸
 间距: 13.0mm (.512")
 极数: 1P

※材质和电镀
 塑件: PA66, UL94V-0
 螺丝: M4, 钢, 镀Cr³⁺钝化彩锌
 触点材料: 紫铜, 镀锡



Pitch: 19.0mm; Poles: 1P

APPROVAL :  
※Electrical
 Standard : UL IEC
 Rated voltage : 300V 750V
 Rated current : 55A 57A
 Wire range : 12-6AWG 4.0-10.0mm²
 Withstanding voltage : AC3000V/1Min

※Mechanical
 Torque : 2.0Nm (17.5Lb-In.)
 Ambient temperature : -40°C ~ +105°C
 Strip length : 8-10mm

※Dimensions
 Pitch : 19.0mm (.748")
 Poles : 1P

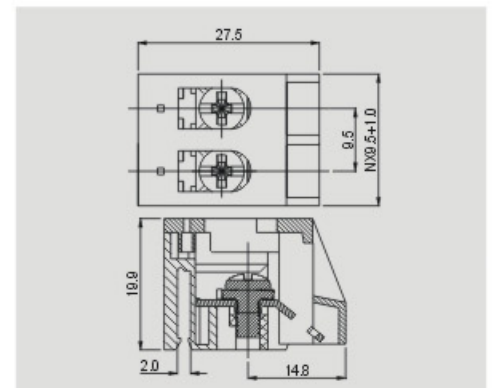
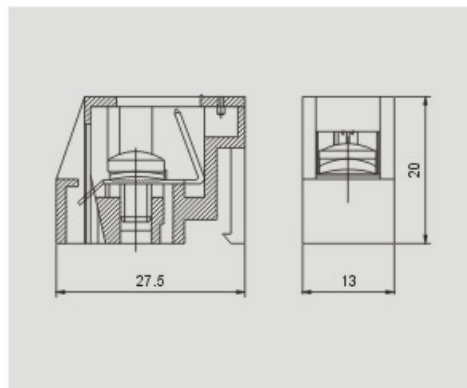
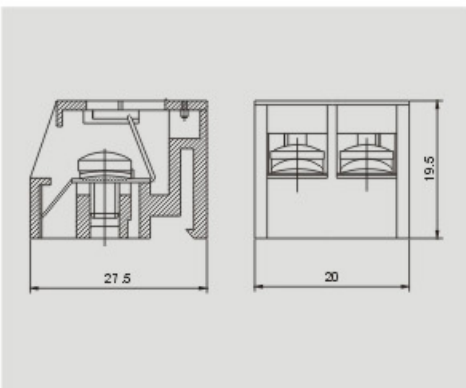
※Material
 Housing : PA66, UL94V-0
 Screws : M5, steel, Cr³⁺ Zn plated
 Contact : Copper, Tin plated

※电气性能
 参考标准: UL IEC
 额定电压: 300V 750V
 额定电流: 55A 57A
 导线线径: 12-6AWG 4.0-10.0mm²
 耐电压: AC3000V/1Min

※机械性能
 扭力矩: 2.0Nm (17.5Lb-In.)
 环境温度: -40°C ~ +105°C
 剥线长度: 8-10mm

※尺寸
 间距: 19.0mm (.748")
 极数: 1P

※材质和电镀
 塑件: PA66, UL94V-0
 螺丝: M5, 钢, 镀Cr³⁺钝化彩锌
 触点材料: 紫铜, 镀锡



Pitch: 9.5mm; Poles: 2P

Pitch: 13.0mm; Poles: 1P

Pitch: 9.5mm; Poles: 2P

APPROVAL :
 ※ **Electrical**
 Standard : UL IEC
 Rated voltage : 600V 250V
 Rated current : 10A 24A
 Wire range : 24-14AWG 0.5-2.5mm²
 Withstanding voltage : AC2000V/1Min

※ **Mechanical**
 Torque : 0.5Nm(4.4Lb-In.)
 Ambient temperature : -40°C~+105°C
 Strip length : 8-10mm

※ **Dimensions**
 Pitch : 9.5mm(.374")
 Poles : 2P

※ **Material**
 Housing : PA66,UL94V-0
 Screws : M3,steel,Cr⁺Zn plated
 Contact : Copper,Tin plated

※ **电气性能**
 参考标准: UL IEC
 额定电压: 600V 250V
 额定电流: 10A 24A
 导线线径: 24-14AWG 0.5-2.5mm²
 耐电压: AC2000V/1Min

※ **机械性能**
 扭力矩: 0.5Nm(4.4Lb-In.)
 环境温度: -40°C~+105°C
 剥线长度: 8-10mm

※ **尺寸**
 间距: 9.5mm(.374")
 极数: 2P

※ **材质和电镀**
 塑件: PA66,UL94V-0
 螺丝: M3,钢,镀Cr⁺钝化彩锌
 触点材料: 紫铜,镀锡

APPROVAL :
 ※ **Electrical**
 Standard : UL IEC
 Rated voltage : 600V 450V
 Rated current : 30A 32A
 Wire range : 24-10AWG 0.5-4.0mm²
 Withstanding voltage : AC2500V/1Min

※ **Mechanical**
 Torque : 1.2Nm(10.5Lb-In.)
 Ambient temperature : -40°C~+105°C
 Strip length : 8-10mm

※ **Dimensions**
 Pitch : 13.0mm(.512")
 Poles : 1P



※ **Material**
 Housing : PA66,UL94V-0
 Screws : M4,steel,Cr⁺Zn plated
 Contact : Copper,Tin plated

※ **电气性能**
 参考标准: UL IEC
 额定电压: 600V 450V
 额定电流: 30A 32A
 导线线径: 24-10AWG 0.5-4.0mm²
 耐电压: AC2500V/1Min

※ **机械性能**
 扭力矩: 1.2Nm(10.5Lb-In.)
 环境温度: -40°C~+105°C
 剥线长度: 8-10mm

※ **尺寸**
 间距: 13.0mm(.512")
 极数: 1P

※ **材质和电镀**
 塑件: PA66,UL94V-0
 螺丝: M4,钢,镀Cr⁺钝化彩锌
 触点材料: 紫铜,镀锡

APPROVAL :  
 ※ **Electrical**
 Standard : UL IEC
 Rated voltage : 600V 250V
 Rated current : 10A 24A
 Wire range : 20-12AWG 0.5-2.5mm²
 Withstanding voltage : AC2000V/1Min

※ **Mechanical**
 Torque : 0.5Nm(4.4Lb-In.)
 Ambient temperature : -40°C~+105°C
 Strip length : 8-10mm

※ **Dimensions**
 Pitch : 9.5mm(.374")
 Poles : 2P

※ **Material**
 Housing : PA66,UL94V-0
 Screws : M3,steel,Cr⁺Zn plated
 Contact : Copper,Tin plated

※ **电气性能**
 参考标准: UL IEC
 额定电压: 600V 250V
 额定电流: 10A 24A
 导线线径: 20-12AWG 0.5-2.5mm²
 耐电压: AC2000V/1Min

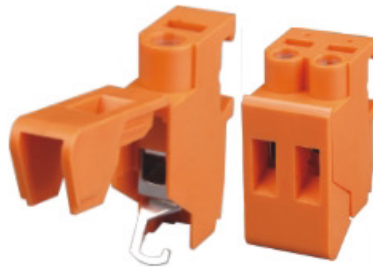
※ **机械性能**
 扭力矩: 0.5Nm(4.4Lb-In.)
 环境温度: -40°C~+105°C
 剥线长度: 8-10mm

※ **尺寸**
 间距: 9.5mm(.374")
 极数: 2P

※ **材质和电镀**
 塑件: PA66,UL94V-0
 螺丝: M3,钢,镀Cr⁺钝化彩锌
 触点材料: 紫铜,镀锡



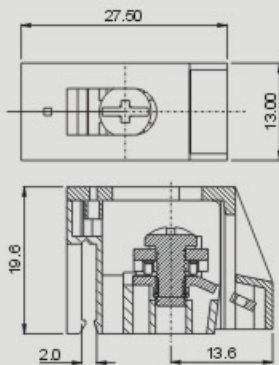
TSB4





TSC4



TSC6



Pitch: 13.0mm; Poles: 1P

APPROVAL :  
※ Electrical
 Standard : UL IEC
 Rated voltage : 600V 450V
 Rated current : 30A 32A
 Wire range : 20-12AWG 0.5-4.0mm²
 Withstanding voltage : AC2500V/1Min

※ Mechanical
 Torque : 1.2Nm(10.5Lb-In.)
 Ambient temperature : -40°C ~ +105°C
 Strip length : 8-10mm

※ Dimensions
 Pitch : 13.0mm(.512")
 Poles : 1P

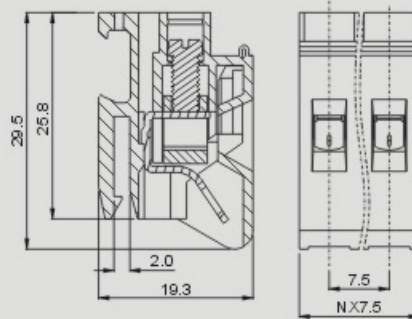
※ Material
 Housing : PA66,UL94V-0
 Screws : M4, steel, Cr⁺Zn plated
 Contact : Copper, Tin plated

※ 电气性能
 参考标准: UL IEC
 额定电压: 600V 450V
 额定电流: 30A 32A
 导线线径: 20-12AWG 0.5-4.0mm²
 耐电压: AC2500V/1Min



※ 机械性能
 扭力矩: 1.2Nm(10.5Lb-In.)
 环境温度: -40°C ~ +105°C
 剥线长度: 8-10mm

※ 尺寸
 间距: 13.0mm(.512")
 极数: 1P

※ 材质和电镀
 塑件: PA66,UL94V-0
 螺丝: M4,钢,镀Cr⁺钝化彩锌
 触点材料: 紫铜,镀锡



Pitch: 7.5mm; Poles: 1P,2P

APPROVAL :  
※ Electrical
 Standard : UL IEC
 Rated voltage : 300V 750V
 Rated current : 20A 32A
 Wire range : 20-10AWG 0.5-4.0mm²
 Withstanding voltage : AC3000V/1Min

※ Mechanical
 Torque : 0.8Nm(7.0Lb-In.)
 Ambient temperature : -40°C ~ +105°C
 Strip length : 10-12mm

※ Dimensions
 Pitch : 7.5mm(.295")
 Poles : 1P,2P

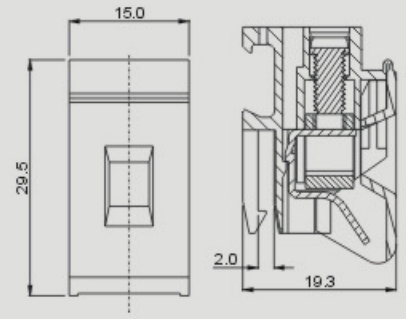
※ Material
 Housing : PA66,UL94V-0
 Screws : M3.5, steel, Cr⁺Zn plated
 Contact : Copper, Tin plated
 Cage : Brass, Ni plated

※ 电气性能
 参考标准: UL IEC
 额定电压: 300V 750V
 额定电流: 20A 32A
 导线线径: 20-10AWG 0.5-4.0mm²
 耐电压: AC3000V/1Min



※ 机械性能
 扭力矩: 0.8Nm(7.0Lb-In.)
 环境温度: -40°C ~ +105°C
 剥线长度: 10-12mm

※ 尺寸
 间距: 7.5mm(.295")
 极数: 1P,2P

※ 材质和电镀
 塑件: PA66,UL94V-0
 螺丝: M3.5,钢,镀Cr⁺钝化彩锌
 触点材料: 紫铜,镀锡
 方盒: 黄铜,镀镍



Pitch: 15.0mm; Poles: 1P

APPROVAL :  
※ Electrical
 Standard : UL IEC
 Rated voltage : 300V 750V
 Rated current : 20A 41A
 Wire range : 20-10AWG 0.5-6.0mm²
 Withstanding voltage : AC3000V/1Min

※ Mechanical
 Torque : 1.2Nm(10.5Lb-In.)
 Ambient temperature : -40°C ~ +105°C
 Strip length : 10-12mm

※ Dimensions
 Pitch : 15.0mm(.591")
 Poles : 1P

※ Material
 Housing : PA66,UL94V-0
 Screws : M4, steel, Cr⁺Zn plated
 Contact : Copper, Tin plated
 Cage : Brass, Ni plated

※ 电气性能
 参考标准: UL IEC
 额定电压: 300V 750V
 额定电流: 20A 41A
 导线线径: 20-10AWG 0.5-6.0mm²
 耐电压: AC3000V/1Min

※ 机械性能
 扭力矩: 1.2Nm(10.5Lb-In.)
 环境温度: -40°C ~ +105°C
 剥线长度: 10-12mm

※ 尺寸
 间距: 15.0mm(.591")
 极数: 1P

※ 材质和电镀
 塑件: PA66,UL94V-0
 螺丝: M4,钢,镀Cr⁺钝化彩锌
 触点材料: 紫铜,镀锡
 方盒: 黄铜,镀镍



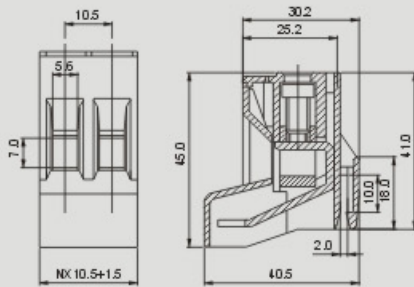
TSC10



TSCB4



TSCF4



Pitch: 10.5mm; Poles: 2 P

APPROVAL

Standard	UL	IEC
Rated voltage	300V	750V
Rated current	55 A	57 A
Wire range	12-6AWG	4.0-10.0mm ²
Withstanding voltage	AC3000V/1Min	

Mechanical

Torque	2.0Nm (17.5Lb-In.)
Ambient temperature	-40°C ~ +105°C
Strip length	10-12mm

Dimensions

Pitch	10.5mm (.413")
Poles	2P

Material

Housing	PA66, UL94V-0
Screws	M5, steel, Cr ³⁺ Zn plated
Contact	Copper, Tin plated
Cage	Brass, Ni plated

电气性能

参考标准	UL	IEC
额定电压	300V	750V
额定电流	55A	57A
导线线径	12-6AWG	4.0-10.0mm ²
耐电压	AC3000V/1Min	

机械性能

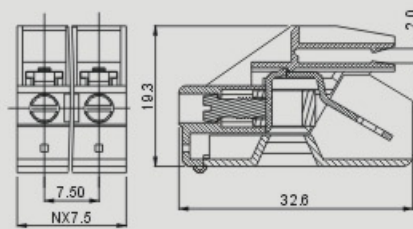
扭力矩	2.0Nm (17.5Lb-In.)
环境温度	-40°C ~ +105°C
剥线长度	10-12mm

尺寸

间距	10.5mm (.413")
极数	2P

材质和电镀

塑件	PA66, UL94V-0
螺丝	M5, 钢, 镀Cr ³⁺ 钝化彩锡
触点材料	紫铜, 镀锡
方盒	黄铜, 镀镍



Pitch: 7.5mm; Poles: 1P~3P

APPROVAL

Standard	UL	IEC
Rated voltage	300V	450V
Rated current	20A	32A
Wire range	20-10AWG	0.5-4.0mm ²
Withstanding voltage	AC2500V/1Min	

Mechanical

Torque	0.5Nm (4.4Lb-In.)
Ambient temperature	-40°C ~ +105°C
Strip length	10-12mm

Dimensions

Pitch	7.5mm (.295")
Poles	1P~3P

Material

Housing	PA66, UL94V-0
Screws	M3, Brass, Ni plated
Contact	Copper, Tin plated
Cage	Brass, Ni plated

电气性能

参考标准	UL	IEC
额定电压	300V	450V
额定电流	20A	32A
导线线径	20-10AWG	0.5-4.0mm ²
耐电压	AC2500V/1Min	

机械性能

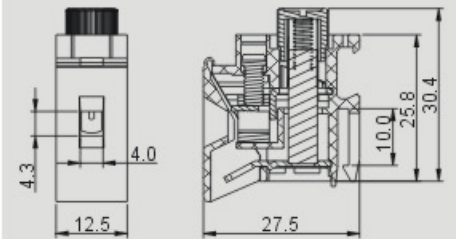
扭力矩	0.5Nm (4.4Lb-In.)
环境温度	-40°C ~ +105°C
剥线长度	10-12mm

尺寸

间距	7.5mm (.295")
极数	1P~3P

材质和电镀

塑件	PA66, UL94V-0
螺丝	M3, 黄铜, 镀镍
触点材料	紫铜, 镀锡
方盒	黄铜, 镀镍



Pitch: 12.5mm; Poles: 1P

APPROVAL

Standard	UL	IEC
Rated voltage	300V	250V
Rated current	10A	10A
Wire range	20-10AWG	0.5-4.0mm ²
Withstanding voltage	AC2000V/1Min	

Mechanical

Torque	0.8Nm (7.0Lb-In.)
Ambient temperature	-40°C ~ +105°C
Strip length	10-12mm

Dimensions

Pitch	12.5mm (.492")
Poles	1P

Material

Housing	PA66, UL94V-0
Screws	M3.5, steel, Cr ³⁺ Zn plated
Contact	Copper, Tin plated
Cage	Brass, Ni plated

电气性能

参考标准	UL	IEC
额定电压	300V	250V
额定电流	10A	10A
导线线径	20-10AWG	0.5-4.0mm ²
耐电压	AC2000V/1Min	

机械性能

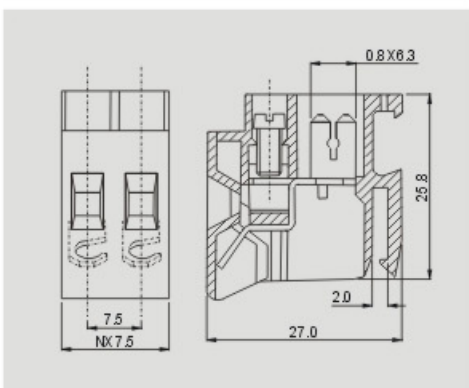
扭力矩	0.8Nm (7.0Lb-In.)
环境温度	-40°C ~ +105°C
剥线长度	10-12mm

尺寸

间距	12.5mm (.492")
极数	1P

材质和电镀

塑件	PA66, UL94V-0
螺丝	M3.5, 钢, 镀Cr ³⁺ 钝化彩锡
触点材料	紫铜, 镀锡
方盒	黄铜, 镀镍



Pitch: 7.5mm; Poles: 1P,2P

APPROVAL :
 ※ **Electrical**
 Standard : UL IEC
 Rated voltage : 300V 750V
 Rated current : 20A 32A
 Wire range : 20-10AWG 0.5-4.0mm²
 Withstanding voltage : AC3000V/1Min

※ **Mechanical**
 Torque : 0.8Nm (7.0Lb-In.)
 Ambient temperature : -40°C ~ +105°C
 Strip length : 10-12mm

※ **Dimensions**
 Pitch : 7.5mm (.295")
 Poles : 1P,2P

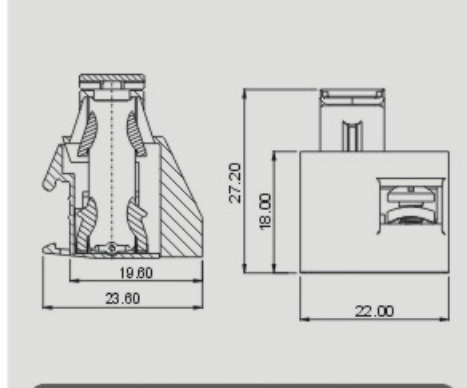
※ **Material**
 Housing : PA66, UL94V-0
 Screws : M3.5, steel, Cr³⁺ Zn plated
 Contact : Copper, Tin plated
 Gage : Brass, Ni plated

※ **电气性能**
 参考标准: UL IEC
 额定电压: 300V 750V
 额定电流: 20A 32A
 导线线径: 20-10AWG 0.5-4.0mm²
 耐电压: AC3000V/1Min


※ **机械性能**
 扭力矩: 0.8Nm (7.0Lb-In.)
 环境温度: -40°C ~ +105°C
 剥线长度: 10-12mm

※ **尺寸**
 间距: 7.5mm (.295")
 极数: 1P,2P

※ **材质和电镀**
 塑件: PA66, UL94V-0
 螺丝: M3.5, 钢, 镀Cr³⁺钝化彩锌
 触点材料: 紫铜, 镀锡
 方盒: 黄铜, 镀镍



Pitch: 22mm; Poles: 1P

APPROVAL : 
 ※ **Electrical**
 Standard : UL IEC
 Rated voltage : 250V 250V
 Rated current : 6.3A 6.3A
 Wire range : 20-14AWG 0.5-2.5mm²
 Withstanding voltage : AC2000V/1Min

※ **Mechanical**
 Torque : 0.8Nm (7.0Lb-In.)
 Ambient temperature : -40°C ~ +105°C
 Strip length : 8-10mm

※ **Dimensions**
 Pitch : 22mm (.866")
 Poles : 1P

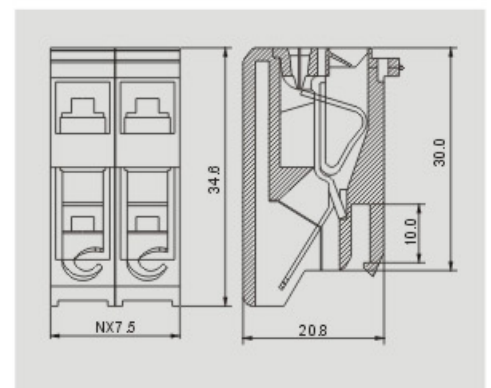
※ **Material**
 Housing : PA66, UL94V-0
 Screws : M3.5, steel, Cr³⁺ Zn plated
 Contact : Copper, Tin plated

※ **电气性能**
 参考标准: UL IEC
 额定电压: 250V 250V
 额定电流: 6.3A 6.3A
 导线线径: 20-14AWG 0.5-2.5mm²
 耐电压: AC2000V/1Min

※ **机械性能**
 扭力矩: 0.8Nm (7.0Lb-In.)
 环境温度: -40°C ~ +105°C
 剥线长度: 8-10mm

※ **尺寸**
 间距: 22mm (.866")
 极数: 1P

※ **材质和电镀**
 塑件: PA66, UL94V-0
 螺丝: M3.5, 钢, 镀Cr³⁺钝化彩锌
 触点材料: 紫铜, 镀锡



Pitch: 7.5mm; Poles: 1P

APPROVAL :
 ※ **Electrical**
 Standard : UL IEC
 Rated voltage : 300V 750V
 Rated current : 20A 32A
 Wire range : 20-10AWG 0.5-4.0mm²
 Withstanding voltage : AC3000V/1Min

※ **Mechanical**
 Ambient temperature : -40°C ~ +105°C
 Strip length : 8-10mm

※ **Dimensions**
 Pitch : 7.5mm (.295")
 Poles : 1P

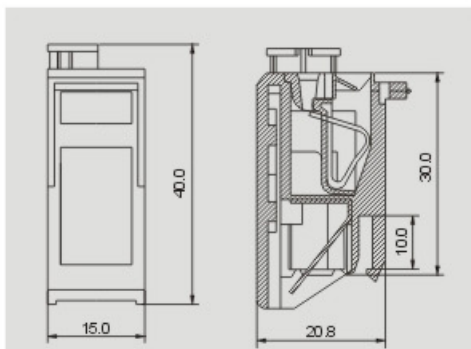
※ **Material**
 Housing : PA66, UL94V-0
 Contact : Copper, Tin plated
 Wire guard : Stainless steel

※ **电气性能**
 参考标准: UL IEC
 额定电压: 300V 750V
 额定电流: 20A 32A
 导线线径: 20-10AWG 0.5-4.0mm²
 耐电压: AC3000V/1Min

※ **机械性能**
 环境温度: -40°C ~ +105°C
 剥线长度: 8-10mm

※ **尺寸**
 间距: 7.5mm (.295")
 极数: 1P

※ **材质和电镀**
 塑件: PA66, UL94V-0
 触点材料: 紫铜, 镀锡
 簧片: 不锈钢



Pitch: 15.0mm; Poles: 1P

APPROVAL

※ **Electrical**
 Standard : UL IEC
 Rated voltage : 300V 750V
 Rated current : 10A 10A
 Wire range : 20-10AWG 0.5-4.0 mm²
 Withstanding voltage : AC3000V/1Min

※ **Mechanical**

Ambient temperature : -40°C ~ +105°C
 Strip length : 8-10mm

※ **Dimensions**

Pitch : 15.0mm (.591")
 Poles : 1P

※ **Material**

Housing : PA66, UL94V-0
 Contact : Copper, Tin plated
 Wire guard : Stainless steel

※ **电气性能**

参考标准: UL IEC
 额定电压: 300V 750V
 额定电流: 10A 10A
 导线线径: 20-10AWG 0.5-4.0mm²
 耐电压: AC3000V/1Min

※ **机械性能**

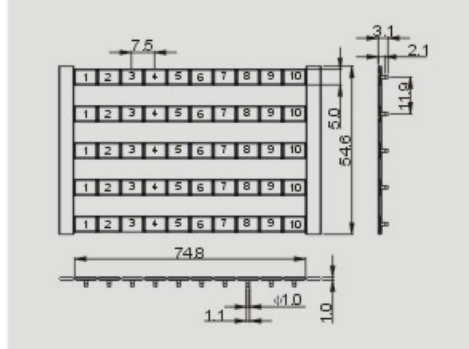
环境温度: -40°C ~ +105°C
 剥线长度: 8-10mm

※ **尺寸**

间距: 15.0mm (.591")
 极数: 1P

※ **材质和电镀**

塑件: PA66, UL94V-0
 触点材料: 紫铜, 镀锡
 簧片: 不锈钢



Pitch: 7.5mm; Poles: 10P

APPROVAL

※ **Mechanical**
 Ambient temperature : -40°C ~ +105°C

※ **Dimensions**

Pitch : 7.5mm (.295")
 Poles : 10P

※ **Material**

Housing : PA66, UL94V-0

※ **机械性能**

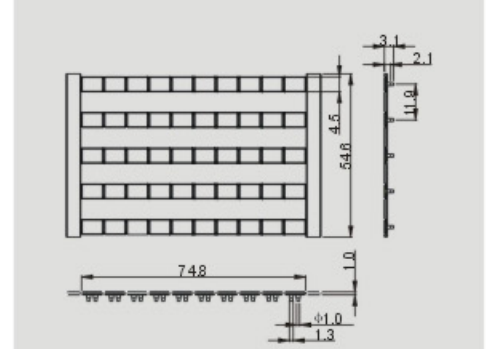
环境温度: -40°C ~ +105°C

※ **尺寸**

间距: 7.5mm (.295")
 极数: 10P

※ **材质和电镀**

塑件: PA66, UL94V-0



Pitch: 7.5mm; Poles: 10P

APPROVAL

※ **Mechanical**
 Ambient temperature : -40°C ~ +105°C

※ **Dimensions**

Pitch : 7.5mm (.295")
 Poles : 10P

※ **Material**

Housing : PA66, UL94V-0

※ **机械性能**

环境温度: -40°C ~ +105°C

※ **尺寸**

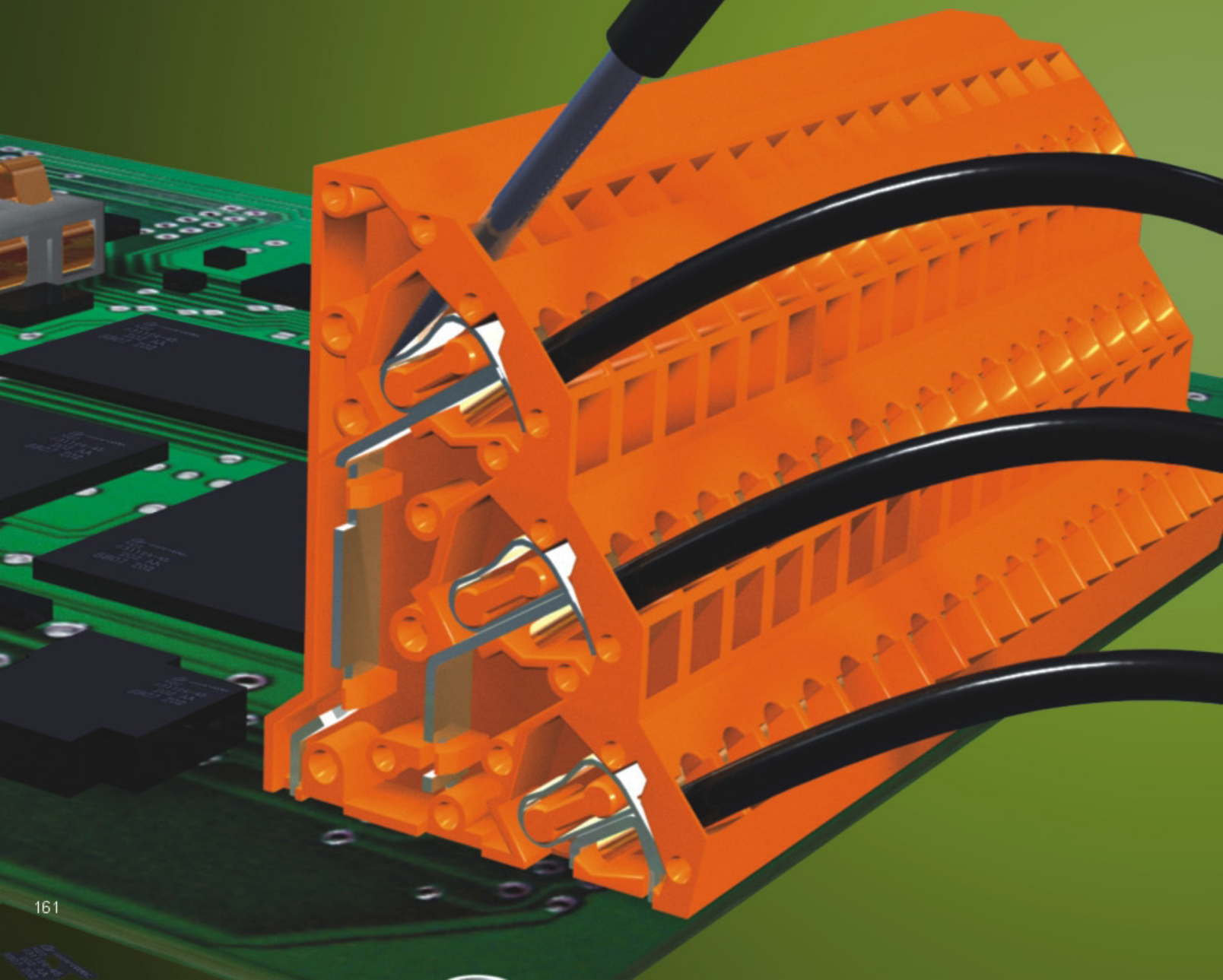
间距: 7.5mm (.295")
 极数: 10P

※ **材质和电镀**

塑件: PA66, UL94V-0

PCB SPRING Terminal Blocks

弹簧式PCB接线端子



PCB Spring terminal blocks, available with two connection methods, cage clamp contact and dish clamp contact. These connectors are available in the following pitches: 2.5mm, 2.54mm, 3.5mm, 3.56mm, 3.81mm, 3.96mm, 4.57mm, 5.0mm, 5.08mm, 5.6mm, 7.5mm, 7.62mm, 8.0mm, 10.0mm, 10.16mm.

The cage clamp PCB spring terminal blocks can be used instead of Printed Circuit universal screw terminal blocks, more flexible. The improved cage clamp PCB spring terminal blocks are available as a force-optimized spring cage. Providing various combination of connection, with easy operation. The adoption of no lever design can reduce the height of housing for special application requirement therefore the wire can be removed easily by just pressing down the clamp with a screwdriver, which is applicable to many kinds of wire-connecting of single-core, multi-core and round-club blocks and so on.

The design of the dish clamp PCB terminal blocks is so concisely designed that we can insert the wire into it very quickly without any tool. Users can not only choose different parameters such as pitch and position of the pole, but also the different direction of the wire insertion as they needed. The round-club and single-core can be inserted directly without handlebars. But as for comparatively smaller wires, you can use handlebars to open the clamp to tighten the wire.

Most of the PCB spring terminal blocks are all assembled piece by piece. The convenient wire connection method of the product is extremely suitable for the telecommunication system, lighting system, security system, and wiring of architectures.

The product is designed in accordance with IEC60998, UL1059, UL486E, CSA C22.2 No.158 standards and get the approval of UL, VDE, CQC, etc.

弹簧式PCB接线端子，接线方式分笼式弹簧连接和蝶形弹簧连接。间距有：2.5、2.54、3.5、3.56、3.81、3.96、4.57、5.0、5.08、5.6、7.5、7.62、8.0、10.0、10.16mm可供选择。

笼式弹簧式PCB接线端子与螺钉式PCB接线端子可相互替代，大大增加了灵活性。新改进的笼式弹簧连接PCB接线端子，从力学角度上最为优化，提供多种接线组合，接线操作简便。提供无手把的规格，使得高度可以大幅降低，退线时只要用起子压下即可轻易将电线取出。可适用于单芯线、多股线、圆棒端子等多种接线方式。

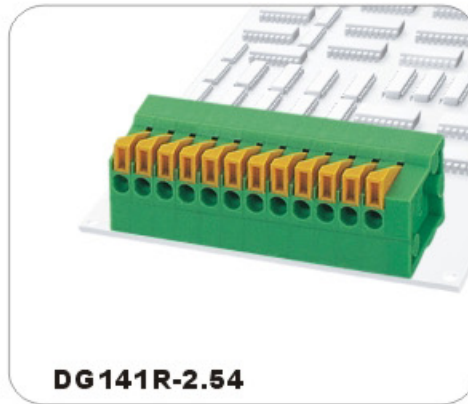
蝶形弹簧式PCB接线端子设计紧凑，无需任何工具，快速接入。用户不仅可根据需要选择不同的参数，如针位，针距等，还可选择不同的接线方向。圆棒端子及单芯线能直接插入，不需手把的辅助，但较小的电线可用手把打开夹子将电线加紧。

大部分的弹簧式PCB接线端子都是以一片一片组合而成，本产品方便的接线方式极适合在通信系统、照明系统、保安系统与建筑物的布线使用。

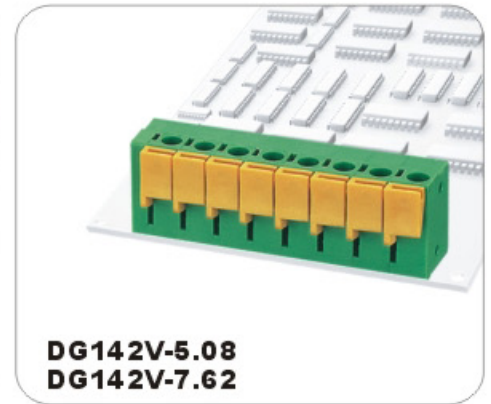
产品设计符合 IEC60998、UL1059、UL486E、CSA C22.2 No.158等国际标准,并通过 UL、VDE、CQC等认证。



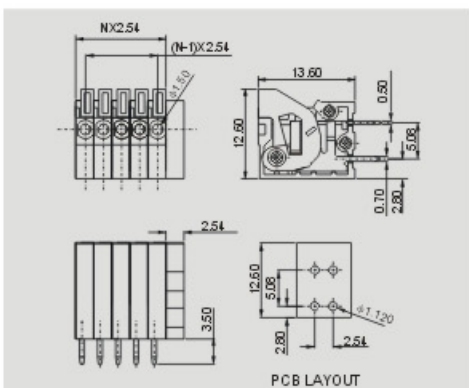
DG141V-2.54





DG141R-2.54



DG142V-5.08
DG142V-7.62



Pitch: 2.54mm; Poles: 1P~XXP

APPROVAL	:  
※ Electrical	
Standard	: UL IEC
Rated voltage	: 150V 130V
Rated current	: 2A 6A
Wire range	: 24 -20AWG 1.0 mm ²
Withstanding voltage	: AC1250V/1Min

※ Mechanical	
Ambient temperature	: -40°C ~ +105°C
Strip length	: 11 mm

※ Dimensions	
Pitch	: 2.54 mm (.295")
Poles	: 1P~XXP

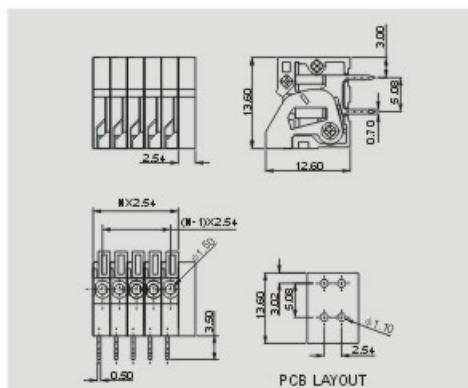
※ Material	
Housing	: PA66+5%GF, UL94V-0
Pin header	: Brass, Tin plated
Wire guard	: Stainless steel

※ 电气性能	
参考标准:	UL IEC
额定电压:	150V 130V
额定电流:	2A 6A
导线线径:	24 -20AWG 1.0 mm ²
耐电压:	AC1250V/1Min



※ 机械性能	
环境温度:	-40°C ~ +105°C
剥线长度:	11mm

※ 尺寸	
间距:	2.54 mm (.295")
极数:	1P~XXP

※ 材质和电镀	
塑件:	PA66+5%GF, UL94V-0
焊脚:	黄铜, 镀锡
弹片:	不锈钢



Pitch: 2.54mm; Poles: 1P~XXP

APPROVAL	:  
※ Electrical	
Standard	: UL IEC
Rated voltage	: 150V 130V
Rated current	: 2A 6A
Wire range	: 24 -20AWG 1.0 mm ²
Withstanding voltage	: AC1250V/1Min

※ Mechanical	
Ambient temperature	: -40°C ~ +105°C
Strip length	: 11 mm

※ Dimensions	
Pitch	: 2.54mm (.100")
Poles	: 1P~XXP

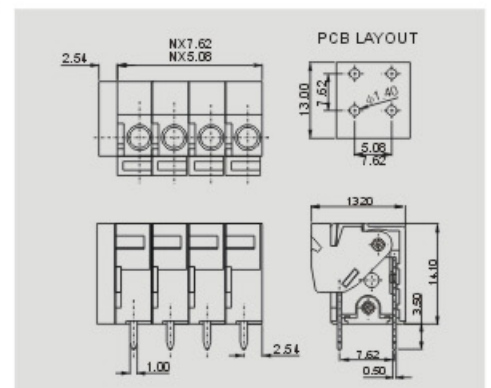
※ Material	
Housing	: PA66+5%GF, UL94V-0
Pin header	: Brass, Tin plated
Wire guard	: Stainless steel

※ 电气性能	
参考标准:	UL IEC
额定电压:	150V 130V
额定电流:	2A 6A
导线线径:	24 -20AWG 1.0 mm ²
耐电压:	AC1250V/1Min



※ 机械性能	
环境温度:	-40°C ~ +105°C
剥线长度:	11mm

※ 尺寸	
间距:	2.54mm (.100")
极数:	1P~XXP

※ 材质和电镀	
塑件:	PA66+5%GF, UL94V-0
焊脚:	黄铜, 镀锡
弹片:	不锈钢



Pitch: 5.08, 7.62mm; Poles: 1P~XXP

APPROVAL	:  
※ Electrical	
Standard	: UL IEC
Rated voltage	: 300V 250V
Rated current	: 10A 15A
Wire range	: 22 -16AWG 1.5 mm ²
Withstanding voltage	: AC2000V/1Min

※ Mechanical	
Ambient temperature	: -40°C ~ +105°C
Strip length	: 10 mm

※ Dimensions	
Pitch	: 5.08mm (.200") 7.62mm (.300")
Poles	: 1P~XXP

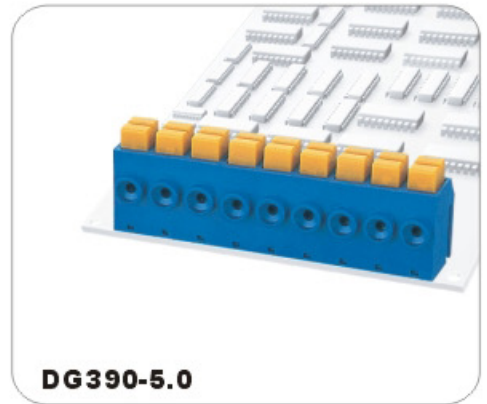
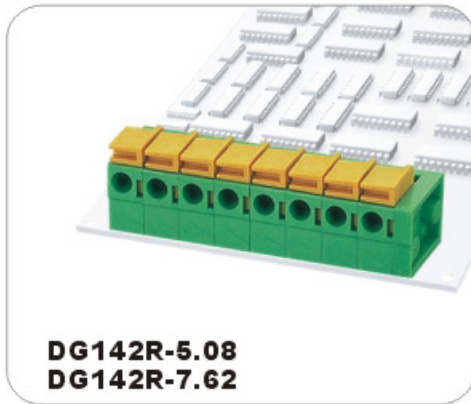
※ Material	
Housing	: PA66, UL94V-0
Pin header	: Brass, Tin plated
Wire guard	: Stainless steel

※ 电气性能	
参考标准:	UL IEC
额定电压:	300V 250V
额定电流:	10A 15A
导线线径:	22 -16AWG 1.5 mm ²
耐电压:	AC2000V/1Min

※ 机械性能	
环境温度:	-40°C ~ +105°C
剥线长度:	10mm

※ 尺寸	
间距:	5.08mm (.200") 7.62mm (.300")
极数:	1P~XXP

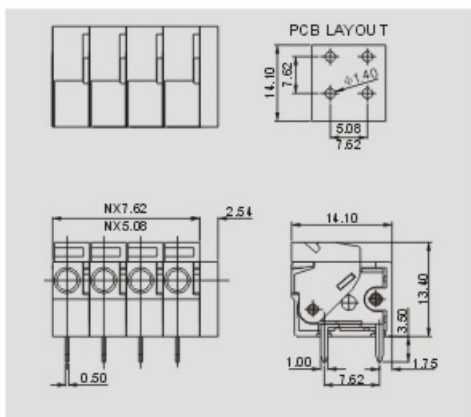
※ 材质和电镀	
塑件:	PA66, UL94V-0
焊脚:	黄铜, 镀锡
弹片:	不锈钢




DG142R-5.08
DG142R-7.62

DG237-5.08

DG390-5.0



Pitch: 5.08, 7.62mm; Poles: 1P~XXP

APPROVAL : 

※ **Electrical**

Standard	: UL	IEC
Rated voltage	: 300V	250V
Rated current	: 10A	15A
Wire range	: 22 -14AWG	1.5 mm ²
Withstanding voltage	: AC2000V/1Min	

※ **Mechanical**

Ambient temperature: -40°C ~ +105°C
Strip length : 10 mm

※ **Dimensions**

Pitch : 5.08mm(.200") 7.62mm(.300")
Poles : 1P~XXP

※ **Material**

Housing : PA66, UL94V-0
Pin header : Brass, Tin plated
Wire guard : Stainless steel

※ **电气性能**

参考标准:	UL	IEC
额定电压:	300V	250V
额定电流:	10A	15A
导线线径:	22 -14AWG	1.5 mm ²
耐电压:	AC2000V/1Min	

※ **机械性能**

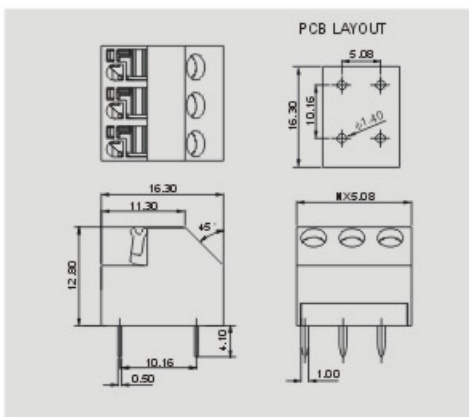
环境温度: -40°C ~ +105°C
剥线长度: 10mm

※ **尺寸**


间距 : 5.08mm(.200") 7.62mm(.300")
极数 : 1P~XXP

※ **材质和电镀**

塑件 : PA66, UL94V-0
焊脚 : 黄铜, 镀锡
弹片 : 不锈钢



Pitch: 5.08mm; Poles: 2P~7P

APPROVAL : 

※ **Electrical**

Standard	: UL	IEC
Rated voltage	: 300V	320V
Rated current	: 10A	10A
Wire range	: 22 -16AWG	0.2-1.5 mm ²
Withstanding voltage	: AC2500V/1Min	

※ **Mechanical**

Ambient temperature: -40°C ~ +105°C
Strip length : 10 mm

※ **Dimensions**

Pitch : 5.08mm(.200")
Poles : 2P~7P

※ **Material**

Housing : PA66, UL94V-0
Pin header : Brass, Tin plated
Wire guard : Stainless steel

※ **电气性能**

参考标准:	UL	IEC
额定电压:	300V	320V
额定电流:	10A	10A
导线线径:	22 -16AWG	0.2-1.5 mm ²
耐电压:	AC2500V/1Min	

※ **机械性能**

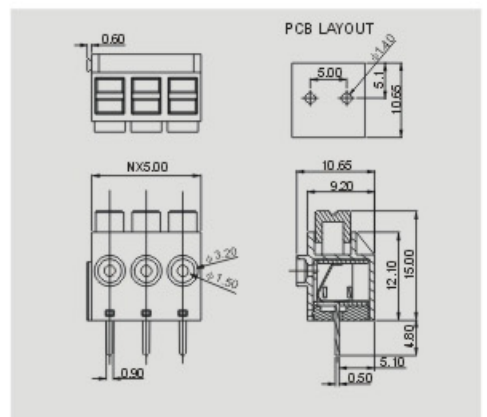
环境温度: -40°C ~ +105°C
剥线长度: 10mm

※ **尺寸**


间距 : 5.08mm(.200")
极数 : 2P~7P

※ **材质和电镀**

塑件 : PA66, UL94V-0
焊脚 : 黄铜, 镀锡
弹片 : 不锈钢



Pitch: 5.0mm; Poles: 2P, 3P~24P

APPROVAL : 

※ **Electrical**

Standard	: UL	IEC
Rated voltage	: 300V	250V
Rated current	: 8A	10A
Wire range	: 22 -18AWG	1.0 mm ²
Withstanding voltage	: AC2000V/1Min	

※ **Mechanical**

Ambient temperature: -30° C ~ +120° C
Strip length : 8-9mm

※ **Dimensions**

Pitch : 5.0mm(.197")
Poles : 2P, 3P~24P

※ **Material**

Housing : PBT, UL94V-0
Pin header : Brass, Tin plated
Wire guard : Stainless steel

※ **电气性能**

参考标准:	UL	IEC
额定电压:	300V	250V
额定电流:	8A	10A
导线线径:	22 -18AWG	1.0 mm ²
耐电压:	AC2000V/1Min	

※ **机械性能**

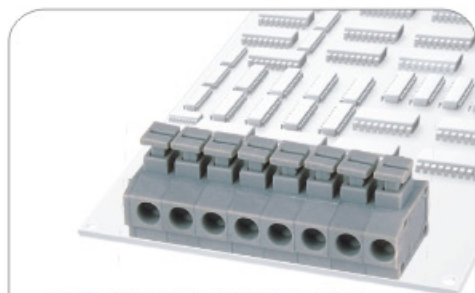
环境温度: -30° C ~ +120° C
剥线长度: 8-9mm

※ **尺寸**

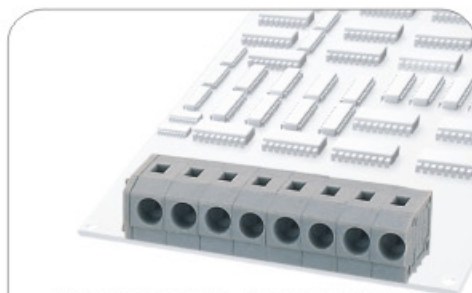
间距 : 5.0mm(.197")
极数 : 2P, 3P~24P

※ **材质和电镀**

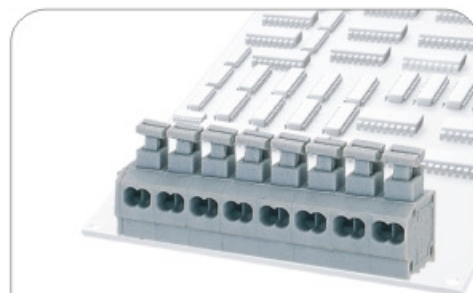
塑件 : PBT, UL94V-0
焊脚 : 黄铜, 镀锡
弹片 : 不锈钢



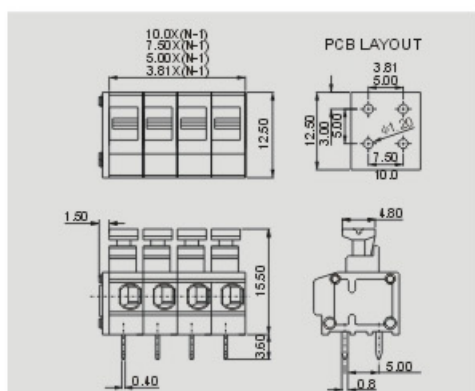
DG235-3.81 DG235-3.96
DG235-5.0 DG235-5.08
DG235-7.5 DG235-7.62
DG235-10.0 DG235-10.16




DG235W-3.81 DG235W-3.96
DG235W-5.0 DG235W-5.08
DG235W-7.5 DG235W-7.62
DG235W-10.0 DG235W-10.16



DG235T-5.0 DG235T-5.08
DG235T-7.5 DG235T-7.62
DG235T-10.0 DG235T-10.16



Pitch: 3.81, 3.96, 5.0, 5.08, 7.5, 7.62, 10.0, 10.16mm; Poles: 1P~XXP

APPROVAL :  

※**Electrical**
 Standard : UL IEC
 Rated voltage : 300V 250V
 Rated current : 5A 10A
 Wire range : 20 -18AWG 1.5 mm²
 Withstanding voltage : AC2000V/1Min

※**Mechanical**
 Ambient temperature : -40°C ~ +105°C
 Strip length : 9-10mm

※**Dimensions**
 Pitch : 3.81mm (.150") 3.96mm (.156")
 5.0mm (.197") 5.08mm (.200")
 7.5mm (.295") 7.62mm (.300")
 10.0mm (.394") 10.16mm (.400")
 Poles : 1P~XXP

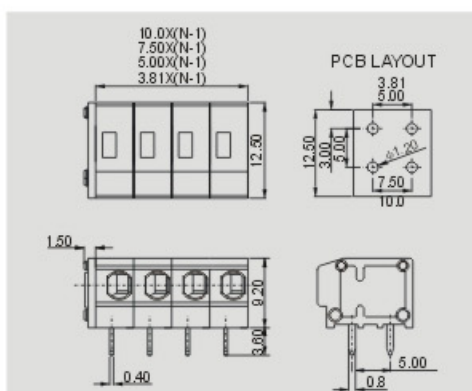
※**Material**
 Housing : PA66, UL94V-0
 Pin header : Phosphor bronze, Tin plated
 Wire guard : Stainless steel

※**电气性能**
 参考标准: UL IEC
 额定电压: 300V 250V
 额定电流: 5A 10A
 导线线径: 20 -18AWG 1.5 mm²
 耐电压: AC2000V/1Min



※**机械性能**
 环境温度: -40°C ~ +105°C
 剥线长度: 9-10mm

※**尺寸**
 间距 : 3.81mm (.150") 3.96mm (.156")
 5.0mm (.197") 5.08mm (.200")
 7.5mm (.295") 7.62mm (.300")
 10.0mm (.394") 10.16mm (.400")
 极数 : 1P~XXP

※**材质和电镀**
 塑件 : PA66, UL94V-0
 焊脚 : 磷青铜, 镀锡
 弹片 : 不锈钢



Pitch: 3.81, 3.96, 5.0, 5.08, 7.5, 7.62, 10.0, 10.16mm; Poles: 1P~XXP

APPROVAL :  

※**Electrical**
 Standard : UL IEC
 Rated voltage : 300V 250V
 Rated current : 5A 10A
 Wire range : 20 -18AWG 1.5 mm²
 Withstanding voltage : AC2000V/1Min

※**Mechanical**
 Ambient temperature : -40°C ~ +105°C
 Strip length : 9-10mm

※**Dimensions**
 Pitch : 3.81mm (.150") 3.96mm (.156")
 5.0mm (.197") 5.08mm (.200")
 7.5mm (.295") 7.62mm (.300")
 10.0mm (.394") 10.16mm (.400")
 Poles : 1P~XXP

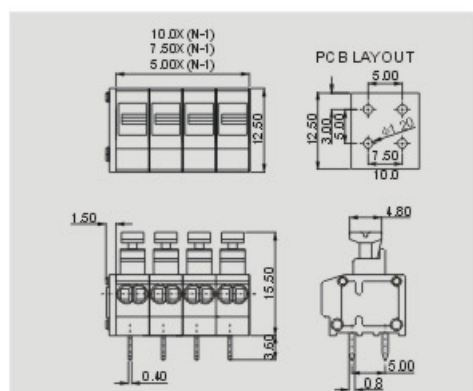
※**Material**
 Housing : PA66, UL94V-0
 Pin header : Phosphor bronze, Tin plated
 Wire guard : Stainless steel

※**电气性能**
 参考标准: UL IEC
 额定电压: 300V 250V
 额定电流: 5A 10A
 导线线径: 20 -18AWG 1.5 mm²
 耐电压: AC2000V/1Min

※**机械性能**
 环境温度: -40°C ~ +105°C
 剥线长度: 9-10mm

※**尺寸**
 间距 : 3.81mm (.150") 3.96mm (.156")
 5.0mm (.197") 5.08mm (.200")
 7.5mm (.295") 7.62mm (.300")
 10.0mm (.394") 10.16mm (.400")
 极数 : 1P~XXP

※**材质和电镀**
 塑件 : PA66, UL94V-0
 焊脚 : 磷青铜, 镀锡
 弹片 : 不锈钢



Pitch: 5.0, 5.08, 7.5, 7.62, 10.0, 10.16mm; Poles: 1P~XXP

APPROVAL :  

※**Electrical**
 Standard : UL IEC
 Rated voltage : 300V 250V
 Rated current : 5A 10A
 Wire range : 20 -18AWG 2x0.75 mm²
 Withstanding voltage : AC2000V/1Min

※**Mechanical**
 Ambient temperature : -40°C ~ +105°C
 Strip length : 9-10mm

※**Dimensions**
 Pitch : 5.0mm (.197") 5.08mm (.200")
 7.5mm (.295") 7.62mm (.300")
 10.0mm (.394") 10.16mm (.400")
 Poles : 1P~XXP

※**Material**
 Housing : PA66, UL94V-0
 Pin header : Phosphor bronze, Tin plated
 Wire guard : Stainless steel

※**电气性能**
 参考标准: UL IEC
 额定电压: 300V 250V
 额定电流: 5A 10A
 导线线径: 20 -18AWG 2x0.75 mm²
 耐电压: AC2000V/1Min

※**机械性能**
 环境温度: -40°C ~ +105°C
 剥线长度: 9-10mm

※**尺寸**
 间距 : 5.0mm (.197") 5.08mm (.200")
 7.5mm (.295") 7.62mm (.300")
 10.0mm (.394") 10.16mm (.400")
 极数 : 1P~XXP

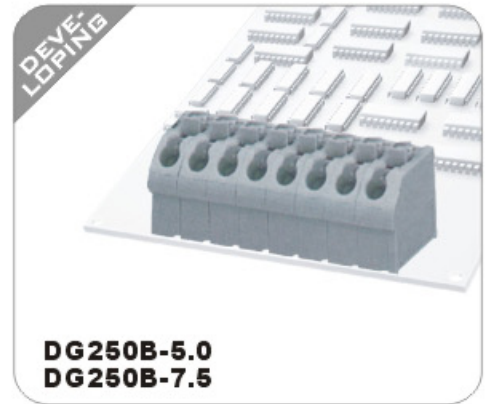
※**材质和电镀**
 塑件 : PA66, UL94V-0
 焊脚 : 磷青铜, 镀锡
 弹片 : 不锈钢



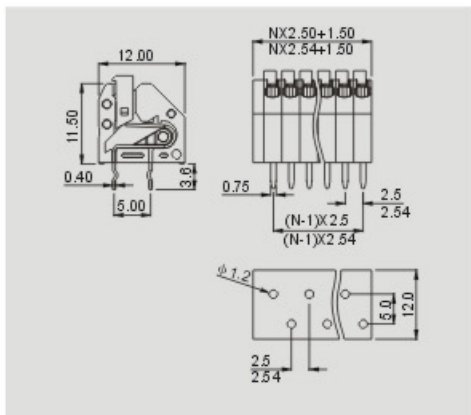
DG250-2.5
DG250-2.54





DG250-3.5
DG250-7.0



DG250B-5.0
DG250B-7.5



Pitch: 2.5, 2.54mm; Poles: 1P~XXP

APPROVAL :  
※ Electrical
 Standard : UL IEC
 Rated voltage : 300V 250V
 Rated current : 2A 6A
 Wire range : 24 -20AWG 0.5 mm²
 Withstanding voltage : AC2000V/1Min

※ Mechanical
 Ambient temperature : -40°C ~ +105°C
 Strip length : 8.5-9.5mm

※ Dimensions
 Pitch : 2.5mm (.098") 2.54mm (.100")
 Poles : 1P~XXP

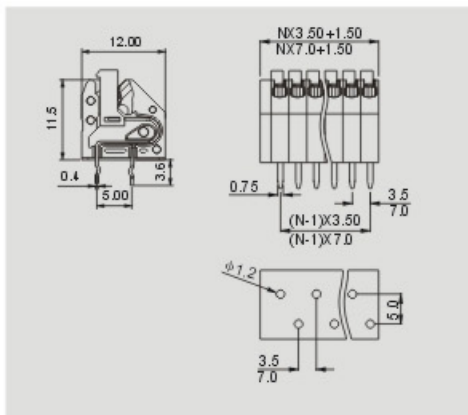
※ Material
 Housing : PA66, UL94V-0
 Pin header : Phosphor bronze, Tin plated
 Wire guard : Stainless steel

※ 电气性能
 参考标准: UL IEC
 额定电压: 300V 250V
 额定电流: 2A 6A
 导线线径: 24 -20AWG 0.5 mm²
 耐电压: AC2000V/1Min



※ 机械性能
 环境温度: -40°C ~ +105°C
 剥线长度: 8.5-9.5mm

※ 尺寸
 间距: 2.5mm (.098") 2.54mm (.100")
 极数: 1P~XXP

※ 材质和电镀
 塑件: PA66, UL94V-0
 焊脚: 磷青铜, 镀锡
 弹片: 不锈钢



Pitch: 3.5, 7.0mm; Poles: 1P~XXP

APPROVAL :  
※ Electrical
 Standard : UL IEC
 Rated voltage : 300V 400V
 Rated current : 7A 5A
 Wire range : 22 -18AWG 0.2-0.75 mm²
 Withstanding voltage : AC2500V/1Min

※ Mechanical
 Ambient temperature : -40°C ~ +105°C
 Strip length : 8.5-9.5mm

※ Dimensions
 Pitch : 3.5mm (.138") 7.0mm (.276")
 Poles : 1P~XXP

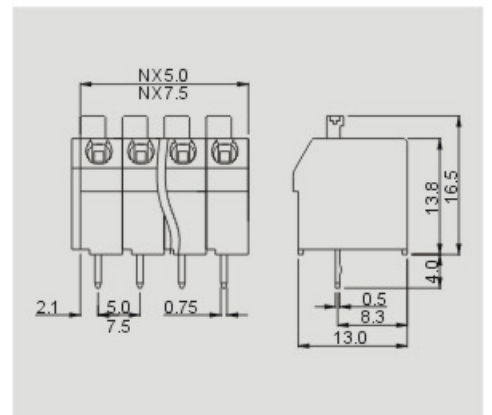
※ Material
 Housing : PA66, UL94V-0
 Pin header : Phosphor bronze, Tin plated
 Wire guard : Stainless steel

※ 电气性能
 参考标准: UL IEC
 额定电压: 300V 400V
 额定电流: 7A 5A
 导线线径: 22 -18AWG 0.2-0.75 mm²
 耐电压: AC2500V/1Min

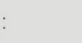
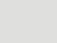
※ 机械性能
 环境温度: -40°C ~ +105°C
 剥线长度: 8.5-9.5mm

※ 尺寸
 间距: 3.5mm (.138") 7.0mm (.276")
 极数: 1P~XXP

※ 材质和电镀
 塑件: PA66, UL94V-0
 焊脚: 磷青铜, 镀锡
 弹片: 不锈钢



Pitch: 5.0, 7.5mm; Poles: 1P~XXP

APPROVAL :  
※ Electrical
 Standard : UL IEC
 Rated voltage : 300V 250V
 Rated current : 10A 10A
 Wire range : 22 -16AWG 0.5-1.5 mm²
 Withstanding voltage : AC2000V/1Min

※ Mechanical
 Ambient temperature : -40°C ~ +105°C
 Strip length : 8.5-9.5mm

※ Dimensions
 Pitch : 5.0mm (.197") 7.5mm (.295")
 Poles : 1P~XXP

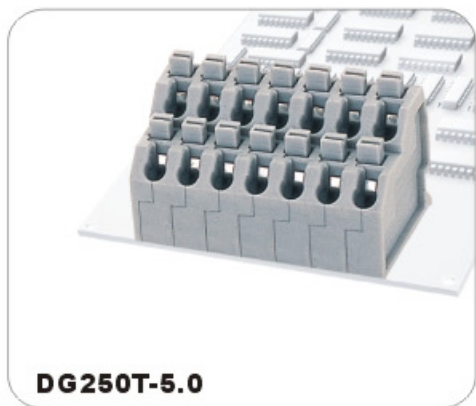
※ Material
 Housing : PA66, UL94V-0
 Pin header : Phosphor bronze, Tin plated
 Wire guard : Stainless steel

※ 电气性能
 参考标准: UL IEC
 额定电压: 300V 250V
 额定电流: 10A 10A
 导线线径: 22 -16AWG 0.5-1.5 mm²
 耐电压: AC2000V/1Min

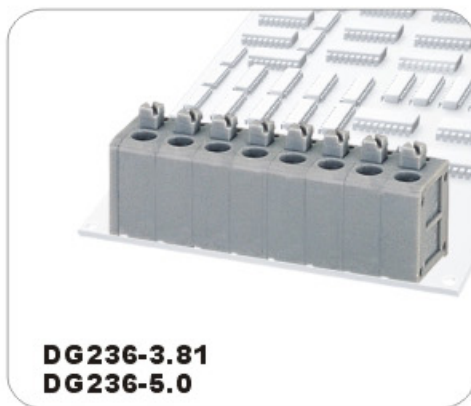
※ 机械性能
 环境温度: -40°C ~ +105°C
 剥线长度: 8.5-9.5mm

※ 尺寸
 间距: 5.0mm (.197") 7.5mm (.295")
 极数: 1P~XXP

※ 材质和电镀
 塑件: PA66, UL94V-0
 焊脚: 磷青铜, 镀锡
 弹片: 不锈钢



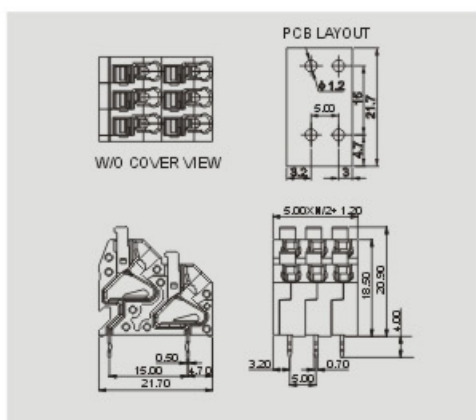
DG250T-5.0





DG236-3.81
DG236-5.0



DG211V-3.5
DG211V-5.0 **DG211V-7.5**



Pitch: 5.0mm; Poles: 2* (1P~XXP)

APPROVAL :  
※ Electrical
 Standard : UL IEC
 Rated voltage : 300V 250V
 Rated current : 10A 10A
 Wire range : 22 -16AWG 1.5 mm²
 Withstanding voltage : AC2000V/1Min

※ Mechanical
 Ambient temperature : -40°C~ +105°C
 Strip length : 9-10mm

※ Dimensions
 Pitch : 5.0mm (.197")
 Poles : 2*(1P~XXP)

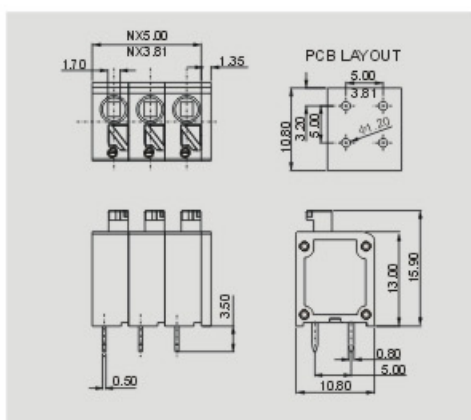
※ Material
 Housing : PA66,UL94V-0
 Pin header : Copper,Tin plated
 Wire guard : Stainless steel

※电气性能
 参考标准: UL IEC
 额定电压: 300V 250V
 额定电流: 10A 10A
 导线线径: 22 -16AWG 1.5 mm²
 耐电压: AC2000V/1Min



※机械性能
 环境温度: -40°C~ +105°C
 剥线长度: 9-10mm

※尺寸
 间距: 5.0mm(.197")
 极数: 2*(1P~XXP)

※材质和电镀
 塑件: PA66,UL94V-0
 焊脚: 紫铜,镀锡
 弹片: 不锈钢



Pitch 3.81, 5.0mm; Poles: 1P~XXP

APPROVAL :  
※ Electrical
 Standard : UL IEC
 Rated voltage : 300V 250V
 Rated current : 8A 10A
 Wire range : 20 -16AWG 1.5 mm²
 Withstanding voltage : AC2000V/1Min

※ Mechanical
 Ambient temperature : -40°C~ +105°C
 Strip length : 8-9mm

※ Dimensions
 Pitch : 3.81mm (.150") 5.0mm (.197")
 Poles : 1P~XXP

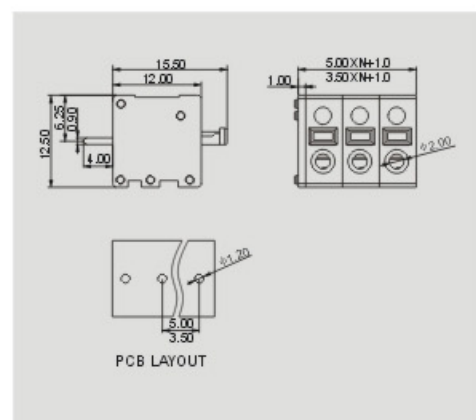
※ Material
 Housing : PA66,UL94V-0
 Pin header : Copper,Tin plated
 Wire guard : Stainless steel

※电气性能
 参考标准: UL IEC
 额定电压: 300V 250V
 额定电流: 8A 10A
 导线线径: 20 -16AWG 1.5 mm²
 耐电压: AC2000V/1Min



※机械性能
 环境温度: -40°C~ +105°C
 剥线长度: 8-9mm

※尺寸
 间距: 3.81mm(.150") 5.0mm(.197")
 极数: 1P~XXP

※材质和电镀
 塑件: PA66,UL94V-0
 焊脚: 紫铜,镀锡
 弹片: 不锈钢



Pitch 3.5, 5.0, 7.5mm; Poles: 1P~XXP

APPROVAL :  
※ Electrical
 Standard : UL IEC
 Rated voltage : 300V 130V,250V,450V
 Rated current : 8A 10A
 Wire range : 26 -16AWG 1.5 mm²
 Withstanding voltage : AC2000V/1Min

※ Mechanical
 Ambient temperature : -40°C~ +105°C
 Strip length : 8-9mm

※ Dimensions
 Pitch : 3.5mm (.138") 5.0mm (.197")
 7.5mm (.295")
 Poles : 1P~XXP

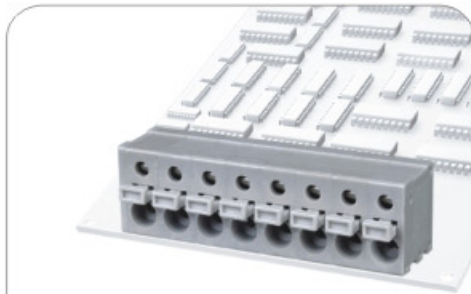
※ Material
 Housing : PA66,UL94V-0
 Pin header : Brass,Tin plated
 Wire guard : Stainless steel

※电气性能
 参考标准: UL IEC
 额定电压: 300V 130V,250V,450V
 额定电流: 8A 10A
 导线线径: 26 -16AWG 1.5 mm²
 耐电压: AC2000V/1Min

※机械性能
 环境温度: -40°C~ +105°C
 剥线长度: 8-9mm

※尺寸
 间距: 3.5mm(.138") 5.0mm(.197")
 7.5mm(.295")
 极数: 1P~XXP

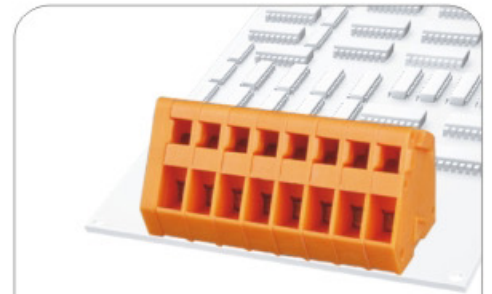
※材质和电镀
 塑件: PA66,UL94V-0
 焊脚: 黄铜,镀锡
 弹片: 不锈钢



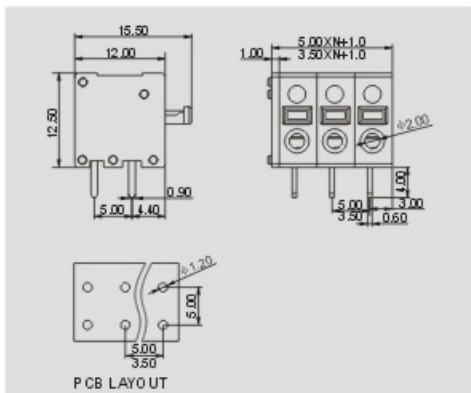
DG211R-3.5
DG211R-5.0 DG211R-7.5





DG240-2.5
DG240-2.54



DG240W-2.5
DG240W-2.54



Pitch 3.5, 5.0, 7.5mm; Poles: 1P~XXP

APPROVAL :  
※ Electrical
 Standard : UL IEC
 Rated voltage : 300V 130V, 250V, 450V
 Rated current : 8A 10A
 Wire range : 26 -16AWG 1.5 mm²
 Withstanding voltage : AC2000V/1Min

※ Mechanical
 Ambient temperature : -40°C ~ +105°C
 Strip length : 8-9mm

※ Dimensions
 Pitch : 3.5mm (.138") 5.0mm (.197")
 7.5mm (.295")
 Poles : 1P~XXP

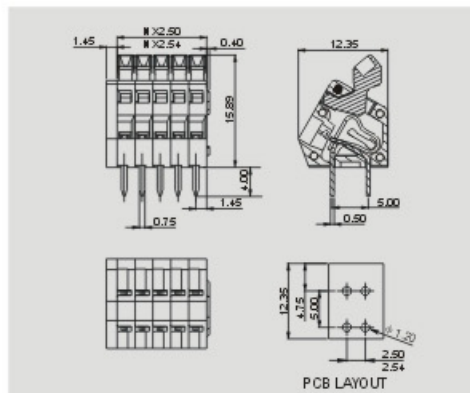
※ Material
 Housing : PA66, UL94V-0
 Pin header : Brass, Tin plated
 Wire guard : Stainless steel

※ 电气性能
 参考标准: UL IEC
 额定电压: 300V 130V, 250V, 450V
 额定电流: 8A 10A
 导线线径: 26 -16AWG 1.5 mm²
 耐电压: AC2000V/1Min



※ 机械性能
 环境温度: -40°C ~ +105°C
 剥线长度: 8-9mm

※ 尺寸
 间距: 3.5mm (.138") 5.0mm (.197")
 7.5mm (.295")
 极数: 1P~XXP

※ 材质和电镀
 塑件: PA66, UL94V-0
 焊脚: 黄铜镀锡
 弹片: 不锈钢



Pitch 2.5, 2.54mm; Poles: 1P~XXP

APPROVAL :  
※ Electrical
 Standard : UL IEC
 Rated voltage : 150V 130V
 Rated current : 4A 6A
 Wire range : 28 -20AWG 0.5 mm²
 Withstanding voltage : AC1250V/1Min

※ Mechanical
 Ambient temperature : -40°C ~ +105°C
 Strip length : 5-6mm

※ Dimensions
 Pitch : 2.5mm (.098") 2.54mm (.100")
 Poles : 1P~XXP

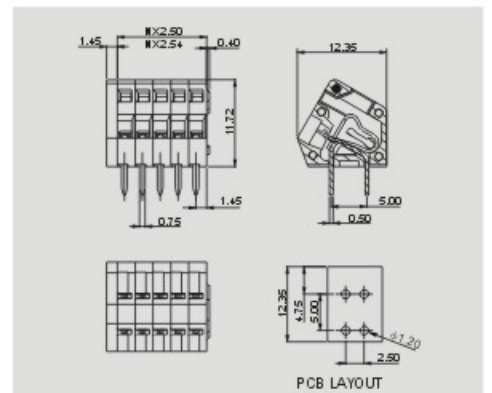
※ Material
 Housing : PA66, UL94V-0
 Pin header : Phosphor bronze, Tin plated
 Wire guard : Stainless steel

※ 电气性能
 参考标准: UL IEC
 额定电压: 150V 130V
 额定电流: 4A 6A
 导线线径: 28 -20AWG 0.5 mm²
 耐电压: AC1250V/1Min



※ 机械性能
 环境温度: -40°C ~ +105°C
 剥线长度: 5-6mm

※ 尺寸
 间距: 2.5mm (.098") 2.54mm (.100")
 极数: 1P~XXP

※ 材质和电镀
 塑件: PA66, UL94V-0
 焊脚: 磷青铜镀锡
 弹片: 不锈钢



Pitch 2.5, 2.54mm; Poles: 1P~XXP

APPROVAL :  
※ Electrical
 Standard : UL IEC
 Rated voltage : 150V 130V
 Rated current : 4A 6A
 Wire range : 28 -20AWG 0.5 mm²
 Withstanding voltage : AC1250V/1Min

※ Mechanical
 Ambient temperature : -40°C ~ +105°C
 Strip length : 5-6mm

※ Dimensions
 Pitch : 2.5mm (.098") 2.54mm (.100")
 Poles : 1P~XXP

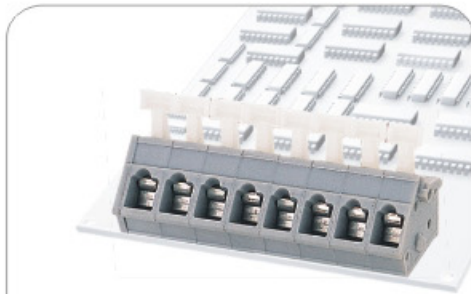
※ Material
 Housing : PA66, UL94V-0
 Pin header : Phosphor bronze, Tin plated
 Wire guard : Stainless steel

※ 电气性能
 参考标准: UL IEC
 额定电压: 150V 130V
 额定电流: 4A 6A
 导线线径: 28 -20AWG 0.5 mm²
 耐电压: AC1250V/1Min

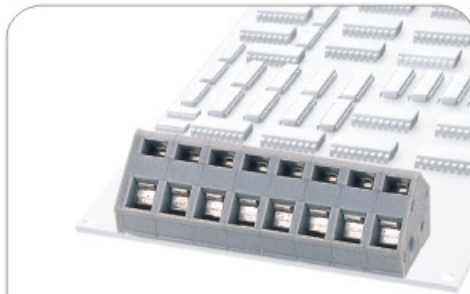
※ 机械性能
 环境温度: -40°C ~ +105°C
 剥线长度: 5-6mm

※ 尺寸
 间距: 2.5mm (.098") 2.54mm (.100")
 极数: 1P~XXP

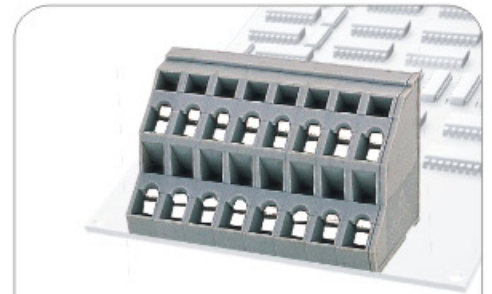
※ 材质和电镀
 塑件: PA66, UL94V-0
 焊脚: 磷青铜镀锡
 弹片: 不锈钢



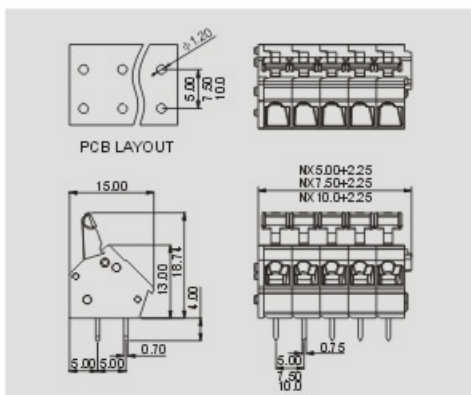
DG243-5.0 DG243-5.08
DG243-7.5 DG243-7.62
DG243-10.0 DG243-10.16





DG245-5.0 DG245-5.08
DG245-7.5 DG245-7.62
DG245-10.0 DG245-10.16



DG245H2-5.0 DG245H2-5.08
DG245H2-7.5 DG245H2-7.62
DG245H2-10.0 DG245H2-10.16



Pitch: 5.0, 5.08, 7.5, 7.62, 10.0, 10.16mm; Poles: 1P~XXP

APPROVAL :  

※ **Electrical**

Standard	: UL	IEC
Rated voltage	: 300V	250V, 450V
Rated current	: 15A	16A
Wire range	: 28 -12AWG	2.5 mm ²
Withstanding voltage	: AC2000V/1Min	

※ **Mechanical**

Ambient temperature : -40°C ~ +105°C

Strip length : 5-6mm

※ **Dimensions**

Pitch : 5.0mm(.197") 5.08mm(.200")
 7.5mm(.295") 7.62mm(.300")
 10.0mm(.394") 10.16mm(.400")

Poles : 1P~XXP

※ **Material**

Housing : PA66, UL94V-0

Pin header : Phosphor bronze, Tin plated

Wire guard : Stainless steel

※ **电气性能**

参考标准:	UL	IEC
额定电压:	350V	250V, 450V
额定电流:	15A	16A
导线线径:	28 -12AWG 2.5 mm ²	
耐电压:	AC2000V/1Min	

※ **机械性能**

环境温度: -40°C ~ +105°C

剥线长度: 5-6mm

※ **尺寸**

间距 : 5.0mm(.197") 5.08mm(.200")
 7.5mm(.295") 7.62mm(.300")
 10.0mm(.394") 10.16mm(.400")

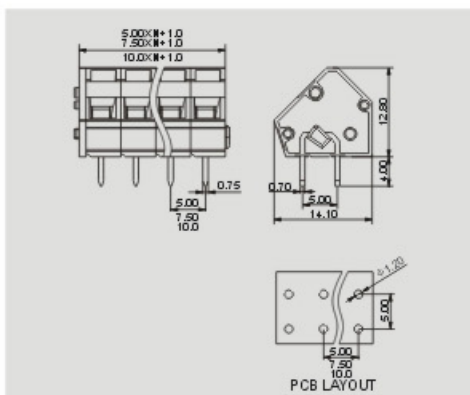
极数 : 1P~XXP

※ **材质和电镀**



塑件 : PA66, UL94V-0

焊脚 : 磷青铜镀锡

弹片 : 不锈钢



Pitch: 5.0, 5.08, 7.5, 7.62, 10.0, 10.16mm; Poles: 1P~XXP

APPROVAL :  

※ **Electrical**

Standard	: UL	IEC
Rated voltage	: 300V	250V, 450V
Rated current	: 15A	16A
Wire range	: 28 -12AWG	2.5 mm ²
Withstanding voltage	: AC2000V/1Min	

※ **Mechanical**

Ambient temperature : -40°C ~ +105°C

Strip length : 5-6mm

※ **Dimensions**

Pitch : 5.0mm(.197") 5.08mm(.200")
 7.5mm(.295") 7.62mm(.300")
 10.0mm(.394") 10.16mm(.400")

Poles : 1P~XXP

※ **Material**

Housing : PA66, UL94V-0

Pin header : Phosphor bronze, Tin plated

Wire guard : Stainless steel

※ **电气性能**

参考标准:	UL	IEC
额定电压:	350V	250V, 450V
额定电流:	15A	16A
导线线径:	28 -12AWG 2.5 mm ²	
耐电压:	AC2000V/1Min	

※ **机械性能**

环境温度: -40°C ~ +105°C

剥线长度: 5-6mm

※ **尺寸**

间距 : 5.0mm(.197") 5.08mm(.200")
 7.5mm(.295") 7.62mm(.300")
 10.0mm(.394") 10.16mm(.400")

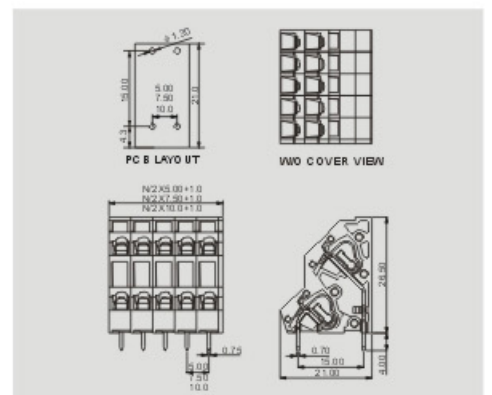
极数 : 1P~XXP

※ **材质和电镀**



塑件 : PA66, UL94V-0

焊脚 : 磷青铜镀锡

弹片 : 不锈钢



Pitch: 5.0, 5.08, 7.5, 7.62, 10.0, 10.16mm; Poles: 2*(1P~XXP)

APPROVAL :  

※ **Electrical**

Standard	: UL	IEC
Rated voltage	: 300V	250V, 450V
Rated current	: 10A	12A
Wire range	: 28 -12AWG	2.5 mm ²
Withstanding voltage	: AC2000V/1Min	

※ **Mechanical**

Ambient temperature : -40°C ~ +105°C

Strip length : 5-6mm

※ **Dimensions**

Pitch : 5.0mm(.197") 5.08mm(.200")
 7.5mm(.295") 7.62mm(.300")
 10.0mm(.394") 10.16mm(.400")

Poles : 2*(1P~XXP)

※ **Material**

Housing : PA66, UL94V-0

Pin header : Copper, Tin plated

Wire guard : Stainless steel

※ **电气性能**

参考标准:	UL	IEC
额定电压:	300V	250V, 450V
额定电流:	10A	12A
导线线径:	28 -12AWG 2.5 mm ²	
耐电压:	AC2000V/1Min	

※ **机械性能**

环境温度: -40°C ~ +105°C

剥线长度: 5-6mm

※ **尺寸**

间距 : 5.0mm(.197") 5.08mm(.200")
 7.5mm(.295") 7.62mm(.300")
 10.0mm(.394") 10.16mm(.400")

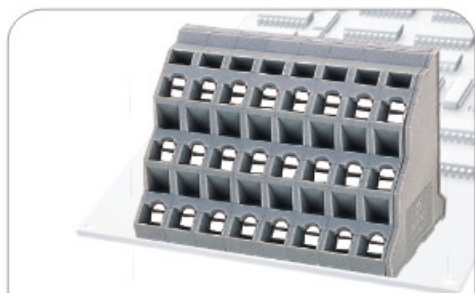
极数 : 2*(1P~XXP)

※ **材质和电镀**

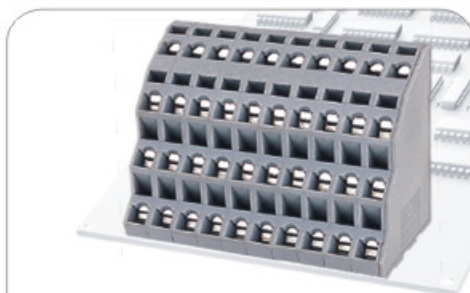
塑件 : PA66, UL94V-0

焊脚 : 紫铜镀锡

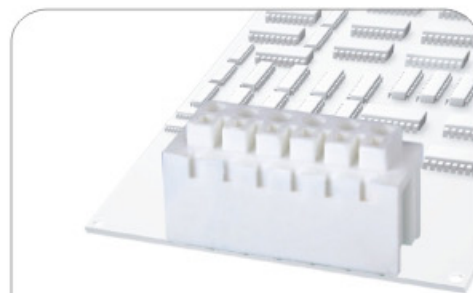
弹片 : 不锈钢



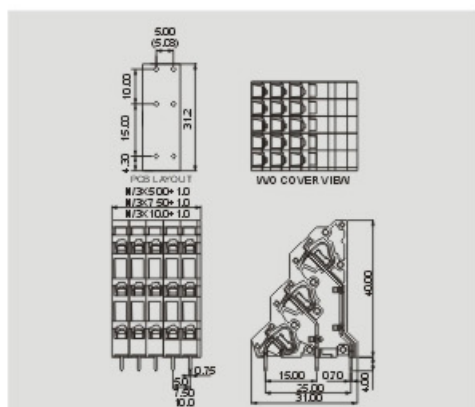
DG245H3-5.0 DG245H3-5.08
DG245H3-7.5 DG245H3-7.62
DG245H3-10.0 DG245H3-10.16





DG245H4-5.0 DG245H4-5.08
DG245H4-7.5 DG245H4-7.62
DG245H4-10.0 DG245H4-10.16



DG295-4.57



Pitch: 5.0, 5.08, 7.5, 7.62, 10.0, 10.16mm; Poles: 3*(1P~XXP)

APPROVAL :  

※**Electrical**
 Standard : UL IEC
 Rated voltage : 300V 250V,450V
 Rated current : 10A 12A
 Wire range : 28 -12AWG 2.5mm²
 Withstanding voltage : AC2000V/1Min

※**Mechanical**
 Ambient temperature : -40°C ~ +105°C
 Strip length : 5-6mm

※**Dimensions**
 Pitch : 5.0mm(.197") 5.08mm(.200")
 7.5mm(.295") 7.62mm(.300")
 10.0mm(.394") 10.16mm(.400")
 Poles : 3*(1P~XXP)

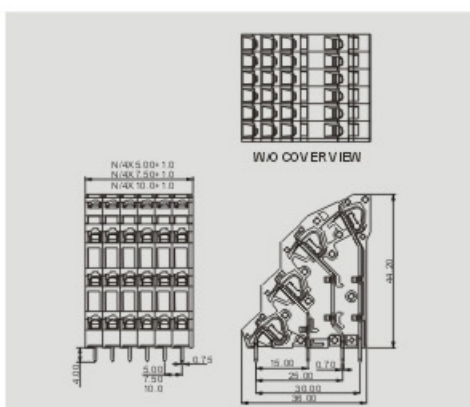
※**Material**
 Housing : PA66,UL94V-0
 Pin header : Copper,Tin plated
 Wire guard : Stainless steel

※**电气性能**
 参考标准: UL IEC
 额定电压: 300V 250V,450V
 额定电流: 10A 12A
 导线线径: 28 -12AWG 2.5mm²
 耐电压: AC2000V/1Min

※**机械性能**
 环境温度: -40°C ~ +105°C
 剥线长度: 5-6mm

※**尺寸**
 间距: 5.0mm(.197") 5.08mm(.200")
 7.5mm(.295") 7.62mm(.300")
 10.0mm(.394") 10.16mm(.400")
 极数: 3*(1P~XXP)

※**材质和电镀**
 塑件: PA66,UL94V-0
 焊脚: 紫铜,镀锡
 弹片: 不锈钢



Pitch: 5.0, 5.08, 7.5, 7.62, 10.0, 10.16mm; Poles: 4*(1P~XXP)

APPROVAL :  

※**Electrical**
 Standard : UL IEC
 Rated voltage : 300V 250V,450V
 Rated current : 10A 12A
 Wire range : 28 -12AWG 2.5mm²
 Withstanding voltage : AC2000V/1Min

※**Mechanical**
 Ambient temperature : -40°C ~ +105°C
 Strip length : 5-6mm

※**Dimensions**
 Pitch : 5.0mm(.197") 5.08mm(.200")
 7.5mm(.295") 7.62mm(.300")
 10.0mm(.394") 10.16mm(.400")
 Poles : 4*(1P~XXP)

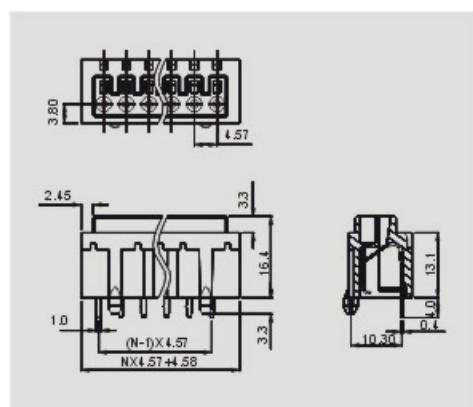
※**Material**
 Housing : PA66,UL94V-0
 Pin header : Copper,Tin plated
 Wire guard : Stainless steel

※**电气性能**
 参考标准: UL IEC
 额定电压: 300V 250V,450V
 额定电流: 10A 12A
 导线线径: 28 -12AWG 2.5mm²
 耐电压: AC2000V/1Min

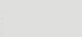
※**机械性能**
 环境温度: -40°C ~ +105°C
 剥线长度: 5-6mm

※**尺寸**
 间距: 5.0mm(.197") 5.08mm(.200")
 7.5mm(.295") 7.62mm(.300")
 10.0mm(.394") 10.16mm(.400")
 极数: 4*(1P~XXP)

※**材质和电镀**
 塑件: PA66,UL94V-0
 焊脚: 紫铜,镀锡
 弹片: 不锈钢



Pitch: 4.57mm; Poles: 3P~10P

APPROVAL :  
 ※**Electrical**
 Standard : UL IEC
 Rated voltage : 300V 250V
 Rated current : 2A 2A
 Wire range : 20-18AWG 0.5-0.75mm²
 Withstanding voltage : AC2000V/1Min

※**Mechanical**
 Ambient temperature : -40°C ~ +105°C
 Strip length : 8-9mm

※**Dimensions**
 Pitch : 4.57mm(.180")
 Poles : 3P~10P

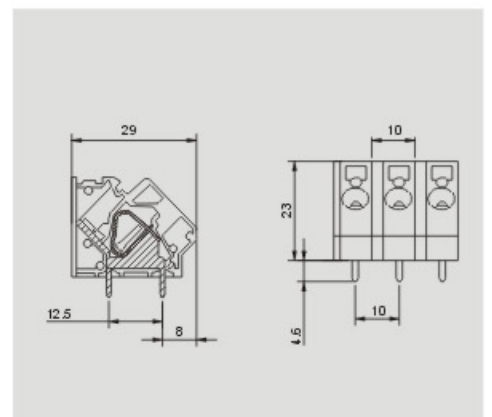
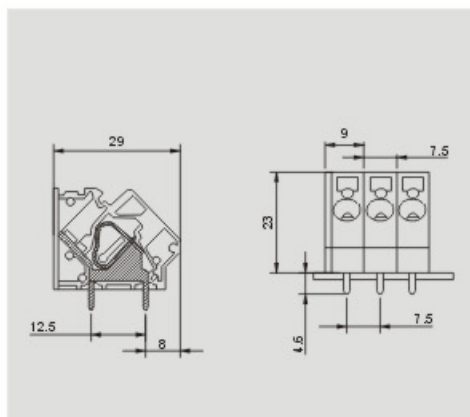
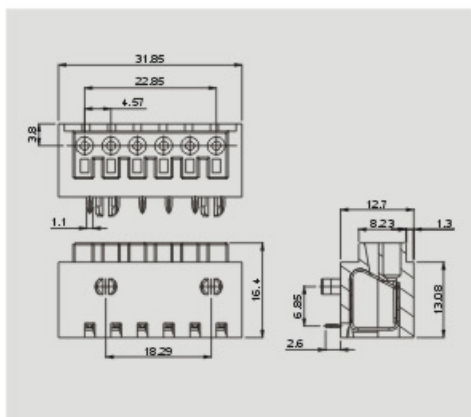
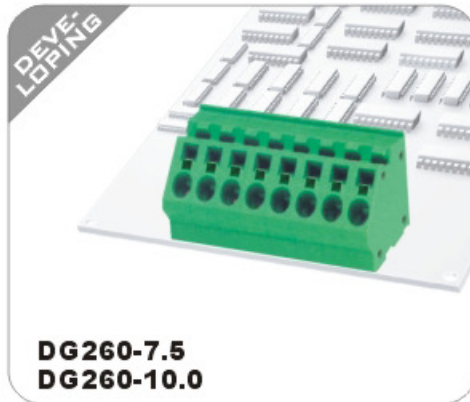
※**Material**
 Housing : PA66,UL94V-0
 Pin header : Phosphor bronze,Tin plated

※**电气性能**
 参考标准: UL IEC
 额定电压: 300V 250V
 额定电流: 2A 2A
 导线线径: 20-18AWG 0.5-0.75mm²
 耐电压: AC2000V/1Min

※**机械性能**
 环境温度: -40°C ~ +105°C
 剥线长度: 8-9mm

※**尺寸**
 间距: 4.57mm(.180")
 极数: 3P~10P

※**材质和电镀**
 塑件: PA66,UL94V-0
 焊脚: 磷青铜,镀锡



Pitch: 4.57mm; Poles: 3P~10P

Pitch: 7.5, 10.0mm; Poles: 1P~XXP

Pitch: 10.0, 15.0mm; Poles: 1P~XXP

APPROVAL :
 ※ **Electrical**
 Standard : UL IEC
 Rated voltage : 300V 250V
 Rated current : 2A 2A
 Wire range : 20-18AWG 0.5-0.75mm²
 Withstanding voltage : AC2000V/1Min

※ **Mechanical**
 Ambient temperature : -40°C~+105°C
 Strip length : 8-9mm

※ **Dimensions**
 Pitch : 4.57mm(.180")
 Poles : 3P~10P

※ **Material**
 Housing : PA66, UL94V-0
 Pin header : Phosphor bronze, Tin plated

※ **电气性能**
 参考标准: UL IEC
 额定电压: 300V 250V
 额定电流: 2A 2A
 导线线径: 20-18AWG 0.5-0.75 mm²
 耐电压: AC2000V/1Min

※ **机械性能**
 环境温度: -40°C~+105°C
 剥线长度: 8-9mm

※ **尺寸**
 间距: 4.57mm(.180")
 极数: 3P~10P

※ **材质和电镀**
 塑件: PA66, UL94V-0
 焊脚: 磷青铜, 镀锡

APPROVAL :
 ※ **Electrical**
 Standard : UL IEC
 Rated voltage : 300V 450V
 Rated current : 30A 32A
 Wire range : 24-10AWG 4.0 mm²
 Withstanding voltage : AC2500V/1Min

※ **Mechanical**
 Ambient temperature : -40°C~+105°C
 Strip length : 10mm

※ **Dimensions**
 Pitch : 7.5mm(.295") 10.0mm(.394")
 Poles : 1P~XXP

※ **Material**
 Housing : PA66, UL94V-0
 Pin header : Phosphor bronze, Tin plated
 Wire guard : Stainless steel

※ **电气性能**
 参考标准: UL IEC
 额定电压: 300V 450V
 额定电流: 30A 32A
 导线线径: 24-10AWG 4.0 mm²
 耐电压: AC2500V/1Min

※ **机械性能**
 环境温度: -40°C~+105°C
 剥线长度: 10mm

※ **尺寸**
 间距: 7.5mm(.295") 10.0mm(.394")
 极数: 1P~XXP

※ **材质和电镀**
 塑件: PA66, UL94V-0
 焊脚: 磷青铜, 镀锡
 弹片: 不锈钢

APPROVAL :
 ※ **Electrical**
 Standard : UL IEC
 Rated voltage : 600V 450V, 800V
 Rated current : 50A 57A
 Wire range : 24-6AWG 10.0 mm²
 Withstanding voltage : AC2500V/1Min

※ **Mechanical**
 Ambient temperature : -40°C~+105°C
 Strip length : 12mm

※ **Dimensions**
 Pitch : 10.0mm(.394") 15.0mm(.591")
 Poles : 1P~XXP

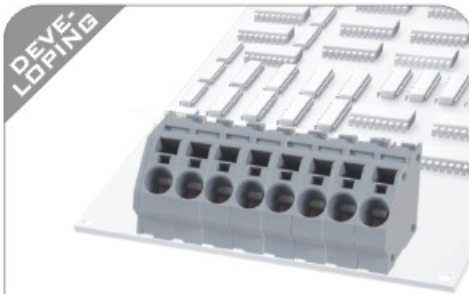
※ **Material**
 Housing : PA66, UL94V-0
 Pin header : Phosphor bronze, Tin plated
 Wire guard : Stainless steel

※ **电气性能**
 参考标准: UL IEC
 额定电压: 600V 450V, 800V
 额定电流: 50A 57A
 导线线径: 24-6AWG 10.0 mm²
 耐电压: AC2500V/1Min

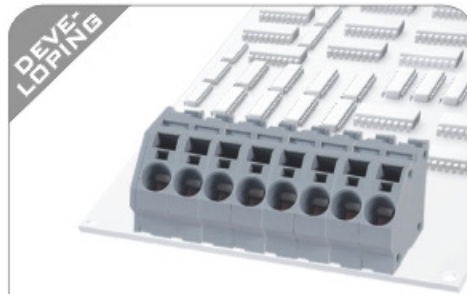
※ **机械性能**
 环境温度: -40°C~+105°C
 剥线长度: 12mm

※ **尺寸**
 间距: 10.0mm(.394") 15.0mm(.591")
 极数: 1P~XXP

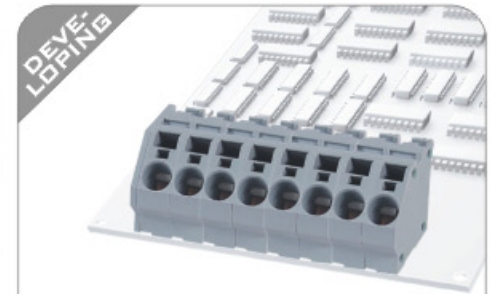
※ **材质和电镀**
 塑件: PA66, UL94V-0
 焊脚: 磷青铜, 镀锡
 弹片: 不锈钢



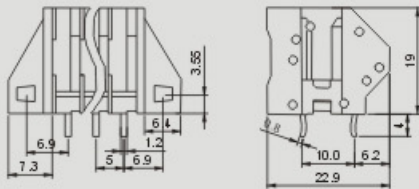
DG262-5.0
DG262-7.5



DG263-7.5
DG263-10.0



DG264-10.0
DG264-15.0



Pitch: 5.0, 7.5 mm; Poles: 1P~XXP

APPROVAL :
※Electrical
 Standard : UL IEC
 Rated voltage : 300V 250V,450V
 Rated current : 10A 32A
 Wire range : 28 -12AWG 4.0 mm²
 Withstanding voltage : AC2000V/1Min

※Mechanical
 Ambient temperature : -40°C ~ +105°C
 Strip length : 8-9mm

※Dimensions
 Pitch : 5.0mm (.197") 7.5mm (.295")
 Poles : 1P~XXP

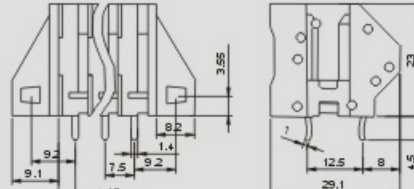
※Material
 Housing : PA66, UL94V-0
 Pin header : Phosphor bronze, Tin plated
 Wire guard : Stainless steel

※电气性能
 参考标准: UL IEC
 额定电压: 300V 250V,450V
 额定电流: 10A 32A
 导线线径: 28 -12AWG 4.0 mm²
 耐电压: AC2000V/1Min

※机械性能
 环境温度: -40°C ~ +105°C
 剥线长度: 8-9mm

※尺寸
 间距: 5.0mm (.197") 7.5mm (.295")
 极数: 1P~XXP

※材质和电镀
 塑件: PA66, UL94V-0
 焊脚: 磷青铜, 镀锡
 弹片: 不锈钢



Pitch: 7.5, 10.0 mm; Poles: 1P~XXP

APPROVAL :
※Electrical
 Standard : UL IEC
 Rated voltage : 300V 250V,450V
 Rated current : 10A 41A
 Wire range : 24 -10AWG 6.0 mm²
 Withstanding voltage : AC2000V/1Min

※Mechanical
 Ambient temperature : -40°C ~ +105°C
 Strip length : 11-12mm

※Dimensions
 Pitch : 7.5mm (.295") 10.0mm (.394")
 Poles : 1P~XXP

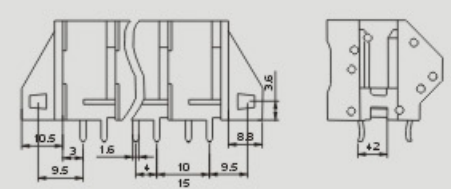
※Material
 Housing : PA66, UL94V-0
 Pin header : Phosphor bronze, Tin plated
 Wire guard : Stainless steel

※电气性能
 参考标准: UL IEC
 额定电压: 300V 250V,450V
 额定电流: 10A 41A
 导线线径: 24 -10AWG 6.0 mm²
 耐电压: AC2000V/1Min

※机械性能
 环境温度: -40°C ~ +105°C
 剥线长度: 11-12mm

※尺寸
 间距: 7.5mm (.295") 10.0mm (.394")
 极数: 1P~XXP

※材质和电镀
 塑件: PA66, UL94V-0
 焊脚: 磷青铜, 镀锡
 弹片: 不锈钢



Pitch: 10.0, 15.0 mm; Poles: 1P~XXP

APPROVAL :
※Electrical
 Standard : UL IEC
 Rated voltage : 300V 450V,800V
 Rated current : 10A 76A
 Wire range : 24 -6AWG 16mm²
 Withstanding voltage : AC2500V/1Min

※Mechanical
 Ambient temperature : -40°C ~ +105°C
 Strip length : 12-13mm

※Dimensions
 Pitch : 10.0mm (.394") 15.0mm (.591")
 Poles : 1P~XXP

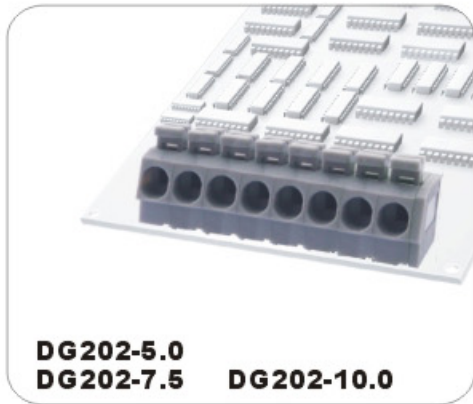
※Material
 Housing : PA66, UL94V-0
 Pin header : Phosphor bronze, Tin plated
 Wire guard : Stainless steel

※电气性能
 参考标准: UL IEC
 额定电压: 300V 450V,800V
 额定电流: 10A 76A
 导线线径: 24 -6AWG 16mm²
 耐电压: AC2500V/1Min

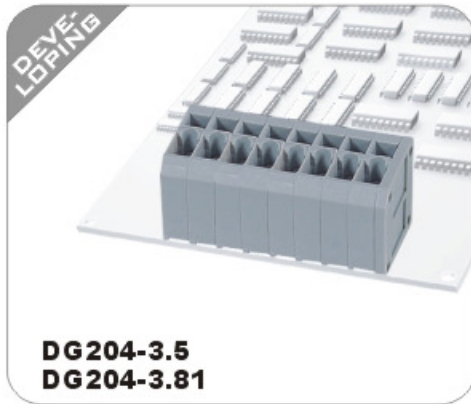
※机械性能
 环境温度: -40°C ~ +105°C
 剥线长度: 12-13mm

※尺寸
 间距: 10.0mm (.394") 15.0mm (.591")
 极数: 1P~XXP

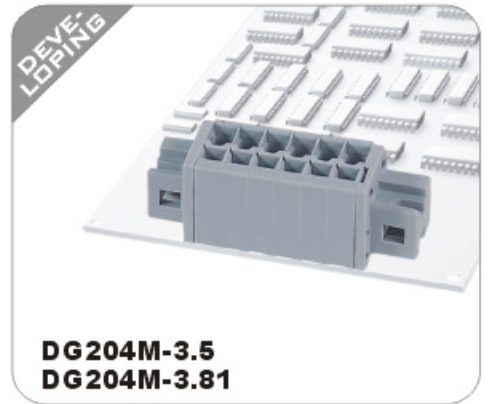
※材质和电镀
 塑件: PA66, UL94V-0
 焊脚: 磷青铜, 镀锡
 弹片: 不锈钢



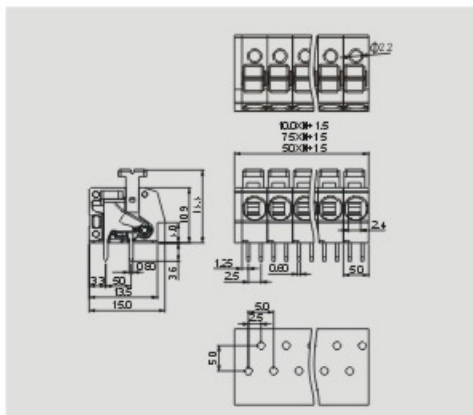
DG202-5.0
DG202-7.5 **DG202-10.0**




DG204-3.5
DG204-3.81



DG204M-3.5
DG204M-3.81



Pitch: 5.0, 7.5mm; Poles: 1P~XXP

APPROVAL : 

※**Electrical**

Standard	: UL	IEC
Rated voltage	: 300V	250V, 400V
Rated current	: 10A	16A
Wire range	: 20-12 AWG	0.2-2.5 mm ²
Withstanding voltage	: AC2000V/1Min	

※**Mechanical**

Ambient temperature: -40°C~+105°C
Strip length: 10-11mm

※**Dimensions**

Pitch: 5.0mm(.197") 7.5mm(.295")
10.0mm(.394")
Poles: 1P~XXP

※**Material**

Housing: PA66, UL94V-0
Pin header: Copper, Tin plated
Wire guard: Stainless steel

※**电气性能**

参考标准:	UL	IEC
额定电压:	300V	250V, 400V
额定电流:	10A	16A
导线线径:	20-12 AWG	0.2-2.5 mm ²
耐电压:	AC2000V/1Min	

※**机械性能**

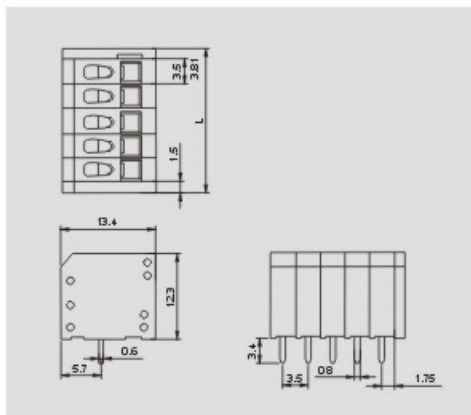
环境温度: -40°C~+105°C
剥线长度: 10-11mm

※**尺寸**

间距: 5.0mm(.197") 7.5mm(.295")
10.0mm(.394")
极数: 1P~XXP

※**材质和电镀**

塑件: PA66, UL94V-0
焊脚: 紫铜镀锡
弹片: 不锈钢



Pitch: 3.5, 3.81mm; Poles: 1P~XXP

APPROVAL :

※**Electrical**

Standard	: UL	IEC
Rated voltage	: 300V	250V
Rated current	: 6A	6A
Wire range	: 28 -14AWG	1.5 mm ²
Withstanding voltage	: AC2000V/1Min	

※**Mechanical**

Ambient temperature: -40°C~+105°C
Strip length: 5-6mm

※**Dimensions**

Pitch: 3.5mm(.138") 3.81mm(.150")
Poles: 1P~XXP

※**Material**

Housing: PA66, UL94V-0
Pin header: Phosphor bronze, Tin plated
Wire guard: Stainless steel

※**电气性能**

参考标准:	UL	IEC
额定电压:	300V	250V
额定电流:	6A	6A
导线线径:	28 -14AWG	1.5 mm ²
耐电压:	AC2000V/1Min	

※**机械性能**

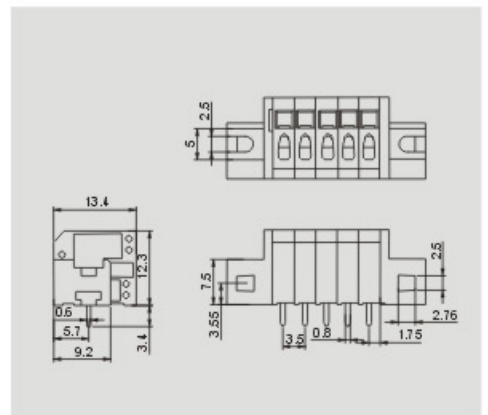
环境温度: -40°C~+105°C
剥线长度: 5-6mm

※**尺寸**

间距: 3.5mm(.138") 3.81mm(.150")
极数: 1P~XXP

※**材质和电镀**

塑件: PA66, UL94V-0
焊脚: 磷青铜镀锡
弹片: 不锈钢



Pitch: 3.5, 3.81mm; Poles: 1P~XXP

APPROVAL :

※**Electrical**

Standard	: UL	IEC
Rated voltage	: 300V	250V
Rated current	: 6A	6A
Wire range	: 28 -14AWG	1.5 mm ²
Withstanding voltage	: AC2000V/1Min	

※**Mechanical**

Ambient temperature: -40°C~+105°C
Strip length: 5-6mm

※**Dimensions**

Pitch: 3.5mm(.138") 3.81mm(.150")
Poles: 1P~XXP

※**Material**

Housing: PA66, UL94V-0
Pin header: Phosphor bronze, Tin plated
Wire guard: Stainless steel

※**电气性能**

参考标准:	UL	IEC
额定电压:	300V	250V
额定电流:	6A	6A
导线线径:	28 -14AWG	1.5 mm ²
耐电压:	AC2000V/1Min	

※**机械性能**

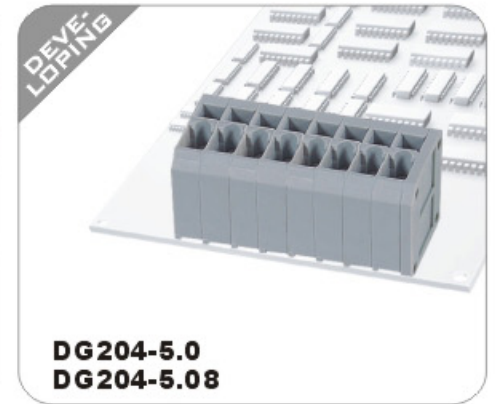
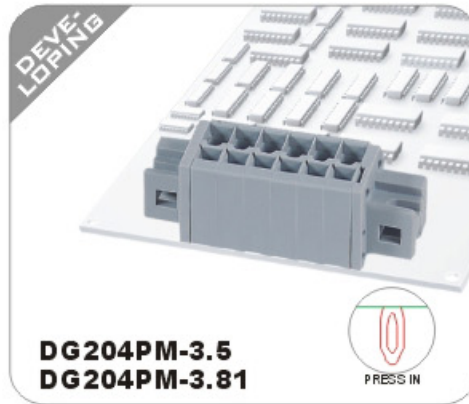
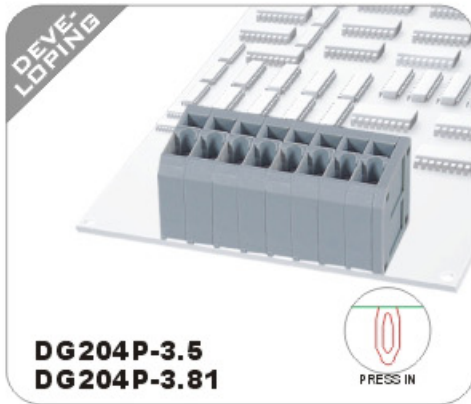
环境温度: -40°C~+105°C
剥线长度: 5-6mm

※**尺寸**

间距: 3.5mm(.138") 3.81mm(.150")
极数: 1P~XXP

※**材质和电镀**

塑件: PA66, UL94V-0
焊脚: 磷青铜镀锡
弹片: 不锈钢



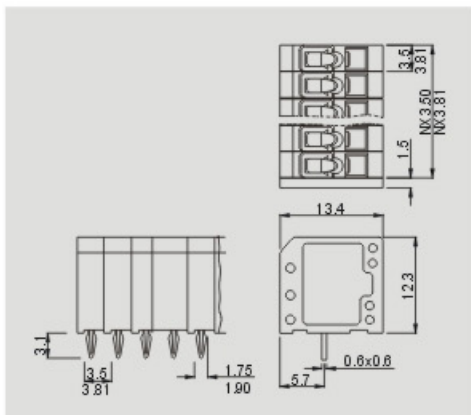
DG204P-3.5
DG204P-3.81



DG204PM-3.5
DG204PM-3.81



DG204-5.0
DG204-5.08



Pitch: 3.5, 3.81 mm; Poles: 1P~XXP

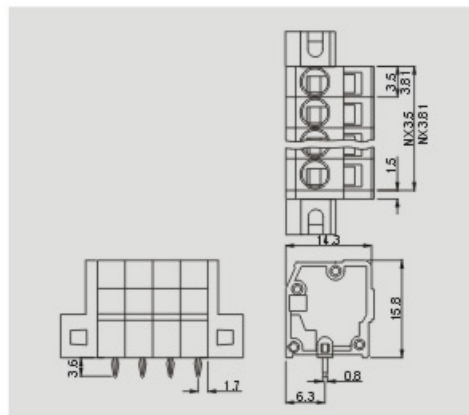
APPROVAL :
※Electrical
 Standard : UL IEC
 Rated voltage : 300V 250V
 Rated current : 4A 4A
 Wire range : 28 -14AWG 1.5 mm²
 Withstanding voltage : AC2000V/1Min
※Mechanical
 Ambient temperature : -40°C~ +105°C
 Strip length : 5-6mm
※Dimensions
 Pitch : 3.5mm (.138") 3.81mm (.150")
 Poles : 1P~XXP
※Material
 Housing : PA66, UL94V-0
 Pin header : Phosphor bronze, Tin plated
 Wire guard : Stainless steel

※电气性能
 参考标准: UL IEC
 额定电压: 300V 250V
 额定电流: 4A 4A
 导线线径: 28 -14AWG 1.5 mm²
 耐电压: AC2000V/1Min

※机械性能
 环境温度: -40°C~ +105°C
 剥线长度: 5-6mm

※尺寸
 间距: 3.5mm (.138") 3.81mm (.150")
 极数: 1P~XXP

※材质和电镀
 塑件: PA66, UL94V-0
 焊脚: 磷青铜, 镀锡
 弹片: 不锈钢



Pitch: 3.5, 3.81 mm; Poles: 1P~XXP

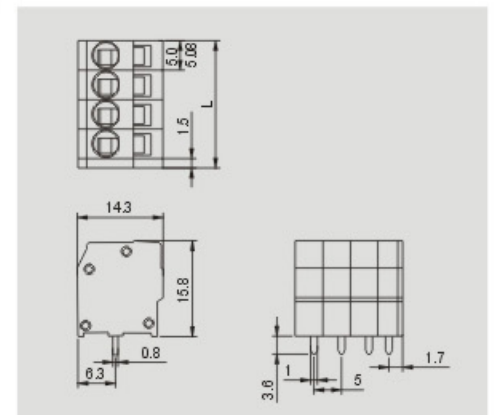
APPROVAL :
※Electrical
 Standard : UL IEC
 Rated voltage : 300V 250V
 Rated current : 4A 4A
 Wire range : 28 -14AWG 1.5 mm²
 Withstanding voltage : AC2000V/1Min
※Mechanical
 Ambient temperature : -40°C~ +105°C
 Strip length : 5-6mm
※Dimensions
 Pitch : 3.5mm (.138") 3.81mm (.150")
 Poles : 1P~XXP
※Material
 Housing : PA66, UL94V-0
 Pin header : Phosphor bronze, Tin plated
 Wire guard : Stainless steel

※电气性能
 参考标准: UL IEC
 额定电压: 300V 250V
 额定电流: 4A 4A
 导线线径: 28 -14AWG 1.5 mm²
 耐电压: AC2000V/1Min

※机械性能
 环境温度: -40°C~ +105°C
 剥线长度: 5-6mm

※尺寸
 间距: 3.5mm (.138") 3.81mm (.150")
 极数: 1P~XXP

※材质和电镀
 塑件: PA66, UL94V-0
 焊脚: 磷青铜, 镀锡
 弹片: 不锈钢



Pitch: 5.0, 5.08 mm; Poles: 1P~XXP

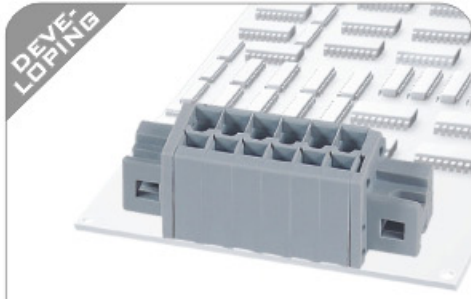
APPROVAL :
※Electrical
 Standard : UL IEC
 Rated voltage : 300V 250V
 Rated current : 12A 12A
 Wire range : 28 -12AWG 2.5 mm²
 Withstanding voltage : AC2000V/1Min
※Mechanical
 Ambient temperature : -40°C~ +105°C
 Strip length : 5-6mm
※Dimensions
 Pitch : 5.0mm (.197") 5.08mm (.200")
 Poles : 1P~XXP
※Material
 Housing : PA66, UL94V-0
 Pin header : Phosphor bronze, Tin plated
 Wire guard : Stainless steel

※电气性能
 参考标准: UL IEC
 额定电压: 300V 250V
 额定电流: 12A 12A
 导线线径: 28 -12AWG 2.5 mm²
 耐电压: AC2000V/1Min

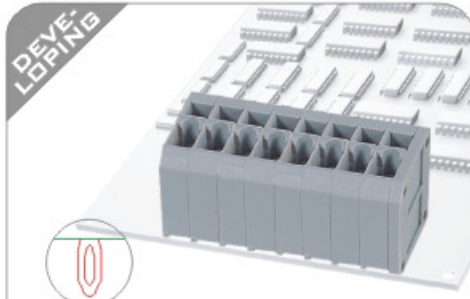
※机械性能
 环境温度: -40°C~ +105°C
 剥线长度: 5-6mm

※尺寸
 间距: 5.0mm (.197") 5.08mm (.200")
 极数: 1P~XXP

※材质和电镀
 塑件: PA66, UL94V-0
 焊脚: 磷青铜, 镀锡
 弹片: 不锈钢



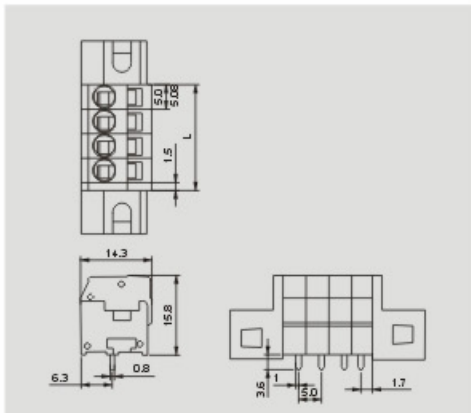
DG204M-5.0
DG204M-5.08



DG204P-5.0 **DG204P-7.5**
DG204P-5.08 **DG204P-7.62**



DG742-5.0
DG742-5.08



Pitch: 5.0, 5.08mm; Poles: 1P~XXP

APPROVAL

Standard	UL	IEC
Rated voltage	300V	250V
Rated current	12A	12A
Wire range	28 -12AWG	2.5 mm ²
Withstanding voltage	AC2000V/1Min	

Mechanical

Ambient temperature	-40°C ~ +105°C	
Strip length	5-6mm	

Dimensions

Pitch	5.0mm(.197") 5.08mm(.200")	
Poles	1P~XXP	

Material

Housing	PA66, UL94V-0	
Pin header	Phosphor bronze, Tin plated	
Wire guard	Stainless steel	

电气性能

参考标准	UL	IEC
额定电压	300V	250V
额定电流	12A	12A
导线线径	28 -12AWG	2.5 mm ²
耐电压	AC2000V/1Min	

机械性能

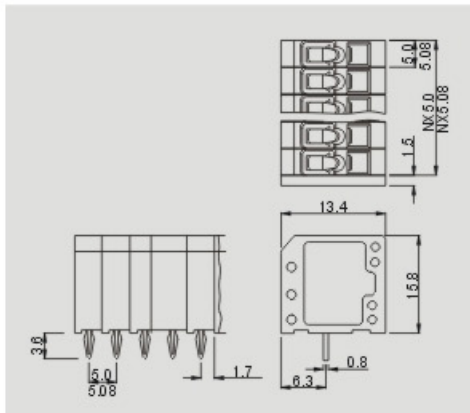
环境温度	-40°C ~ +105°C	
剥线长度	5-6mm	

尺寸

间距	5.0mm(.197") 5.08mm(.200")	
极数	1P~XXP	

材质和电镀

塑件	PA66, UL94V-0	
焊脚	磷青铜, 镀锡	
弹片	不锈钢	



Pitch: 5.0, 5.08, 7.5, 7.62mm; Poles: 1P~XXP

APPROVAL

Standard	UL	IEC
Rated voltage	300V	250V, 400V
Rated current	8A	8A
Wire range	28 -12AWG	2.5 mm ²
Withstanding voltage	AC2000V/1Min	

Mechanical

Ambient temperature	-40°C ~ +105°C	
Strip length	5-6mm	

Dimensions

Pitch	5.0mm(.197") 5.08mm(.200") 7.5mm(.295") 7.62mm(.300")	
Poles	1P~XXP	

Material

Housing	PA66, UL94V-0	
Pin header	Phosphor bronze, Tin plated	
Wire guard	Stainless steel	

电气性能

参考标准	UL	IEC
额定电压	300V	250V, 400V
额定电流	8A	8A
导线线径	28 -12AWG	2.5 mm ²
耐电压	AC2000V/1Min	

机械性能

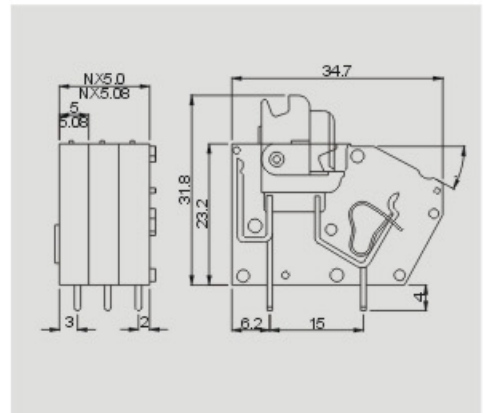
环境温度	-40°C ~ +105°C	
剥线长度	5-6mm	

尺寸

间距	5.0mm(.197") 5.08mm(.200") 7.5mm(.295") 7.62mm(.300")	
极数	1P~XXP	

材质和电镀

塑件	PA66, UL94V-0	
焊脚	磷青铜, 镀锡	
弹片	不锈钢	



Pitch: 5.0, 5.08mm; Poles: 1P~XXP

APPROVAL

Standard	UL	IEC
Rated voltage	300V	250V
Rated current	10A	16A
Wire range	28 -12AWG	2.5 mm ²
Withstanding voltage	AC2000V/1Min	

Mechanical

Ambient temperature	-40°C ~ +105°C	
Strip length	8-9mm	

Dimensions

Pitch	5.0mm(.197") 5.08mm(.200")	
Poles	1P~XXP	

Material

Housing	PA66, UL94V-0	
Pin header	Phosphor bronze, Tin plated	
Wire guard	Stainless steel	

电气性能

参考标准	UL	IEC
额定电压	300V	250V
额定电流	10A	16A
导线线径	28 -12AWG	2.5 mm ²
耐电压	AC2000V/1Min	

机械性能

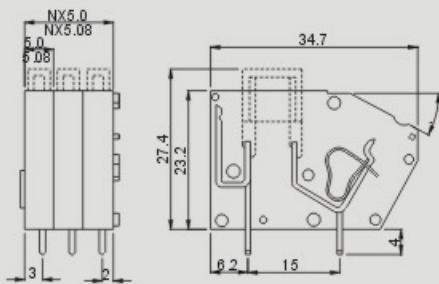
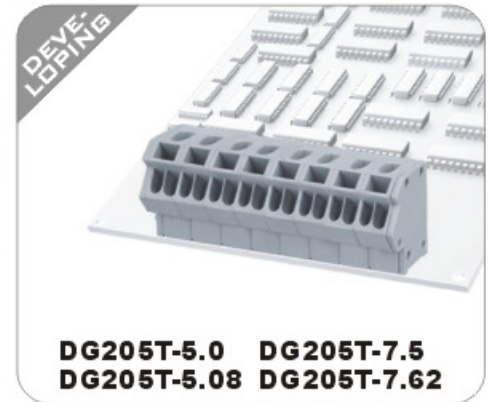
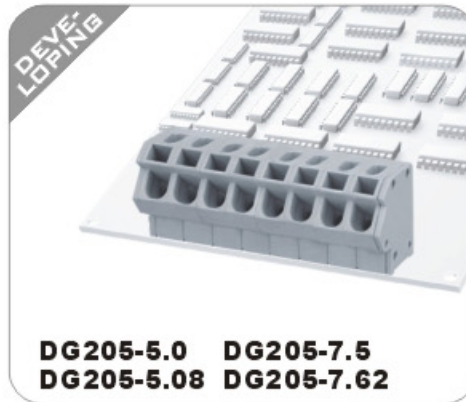
环境温度	-40°C ~ +105°C	
剥线长度	8-9mm	

尺寸

间距	5.0mm(.197") 5.08mm(.200")	
极数	1P~XXP	

材质和电镀

塑件	PA66, UL94V-0	
焊脚	磷青铜, 镀锡	
弹片	不锈钢	



Pitch: 5.0, 5.08mm; Poles: 1P~XXP

APPROVAL

Standard	UL	IEC
Rated voltage	300V	250V
Rated current	10A	16A
Wire range	28 -12AWG	2.5 mm ²
Withstanding voltage	AC2000V/1Min	

Mechanical

Ambient temperature	-40°C ~ +105°C
Strip length	8-9mm

Dimensions

Pitch	5.0mm (.197") 5.08mm (.200")
Poles	1P~XXP

Material

Housing	PA66, UL94V-0
Pin header	Phosphor bronze, Tin plated
Wire guard	Stainless steel

电气性能

参考标准	UL	IEC
额定电压	300V	250V
额定电流	10A	16A
导线线径	28 -12AWG	2.5 mm ²
耐电压	AC2000V/1Min	

机械性能

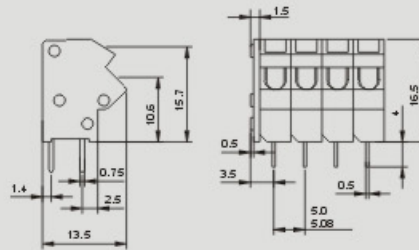
环境温度	-40°C ~ +105°C
剥线长度	8-9mm

尺寸

间距	5.0mm (.197") 5.08mm (.200")
极数	1P~XXP

材质和电镀

塑件	PA66, UL94V-0
焊脚	磷青铜, 镀锡
弹片	不锈钢



Pitch: 5.0, 5.08, 7.5, 7.62mm; Poles: 1P~XXP

APPROVAL

Standard	UL	IEC
Rated voltage	300V	250V, 450V
Rated current	5A	10A
Wire range	28 -12AWG	2.5 mm ²
Withstanding voltage	AC2000V/1Min	

Mechanical

Ambient temperature	-40°C ~ +105°C
Strip length	10-12mm

Dimensions

Pitch	5.0mm (.197") 5.08mm (.200") 7.5mm (.295") 7.62mm (.300")
Poles	1P~XXP

Material

Housing	PA66, UL94V-0
Pin header	Phosphor bronze, Tin plated
Wire guard	Stainless steel

电气性能

参考标准	UL	IEC
额定电压	300V	250V, 450V
额定电流	5A	10A
导线线径	28 -12AWG	2.5 mm ²
耐电压	AC2000V/1Min	

机械性能

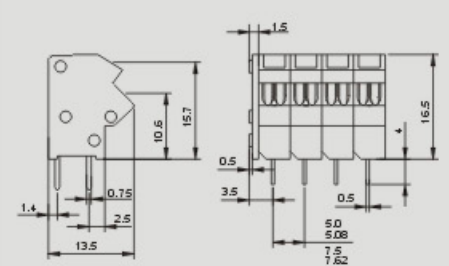
环境温度	-40°C ~ +105°C
剥线长度	10-12mm

尺寸

间距	5.0mm (.197") 5.08mm (.200") 7.5mm (.295") 7.62mm (.300")
极数	1P~XXP

材质和电镀

塑件	PA66, UL94V-0
焊脚	磷青铜, 镀锡
弹片	不锈钢



Pitch: 5.0, 5.08, 7.5, 7.62mm; Poles: 1P~XXP

APPROVAL

Standard	UL	IEC
Rated voltage	300V	250V, 450V
Rated current	5A	10A
Wire range	28 -18AWG	2 × 0.75 mm ²
Withstanding voltage	AC2000V/1Min	

Mechanical

Ambient temperature	-40°C ~ +105°C
Strip length	10-12mm

Dimensions

Pitch	5.0mm (.197") 5.08mm (.200") 7.5mm (.295") 7.62mm (.300")
Poles	1P~XXP

Material

Housing	PA66, UL94V-0
Pin header	Phosphor bronze, Tin plated
Wire guard	Stainless steel

电气性能

参考标准	UL	IEC
额定电压	300V	250V, 450V
额定电流	5A	10A
导线线径	28 -18AWG	2 × 0.75 mm ²
耐电压	AC2000V/1Min	

机械性能

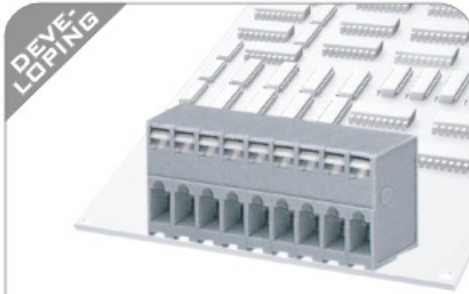
环境温度	-40°C ~ +105°C
剥线长度	10-12mm

尺寸

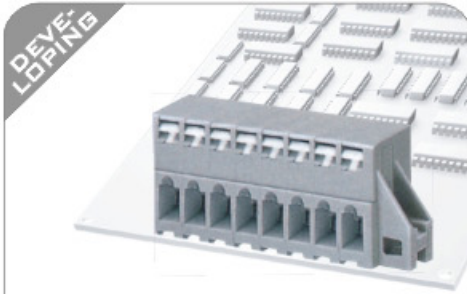
间距	5.0mm (.197") 5.08mm (.200") 7.5mm (.295") 7.62mm (.300")
极数	1P~XXP

材质和电镀

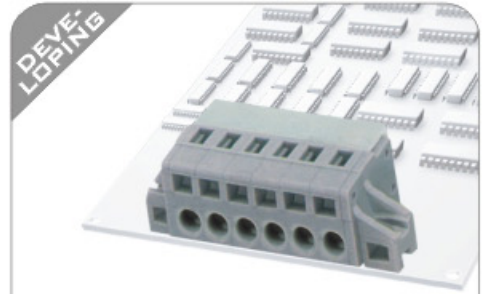
塑件	PA66, UL94V-0
焊脚	磷青铜, 镀锡
弹片	不锈钢



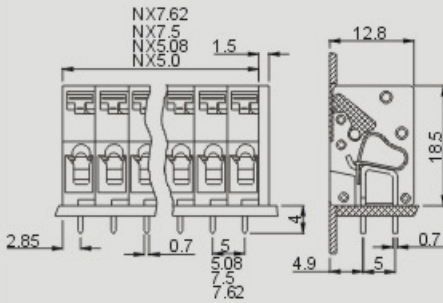
DG206-5.0 DG206-7.5
DG206-5.08 DG206-7.62



DG206M-5.0 DG206M-7.5
DG206M-5.08 DG206M-7.62



DG207R-5.0
DG207R-5.08



Pitch: 5.0, 5.08, 7.5, 7.62mm; Poles: 1P~XXP

APPROVAL

※ Electrical	
Standard	: UL IEC
Rated voltage	: 300V 250V, 450V
Rated current	: 15A 24A
Wire range	: 28 -12AWG 2.5 mm ²
Withstanding voltage	: AC2000V/1Min

※ **Mechanical**

Ambient temperature	: -40°C ~ +105°C
Strip length	: 5-6mm

※ **Dimensions**

Pitch	: 5.0mm (.197") 5.08mm (.200") 7.5mm (.295") 7.62mm (.300")
Poles	: 1P~XXP

※ **Material**

Housing	: PA66, UL94V-0
Pin header	: Phosphor bronze, Tin plated
Wire guard	: Stainless steel

※ **电气性能**

参考标准:	UL IEC
额定电压:	350V 250V, 450V
额定电流:	15A 24A
导线线径:	28 -12AWG 2.5 mm ²
耐电压:	AC2000V/1Min

※ **机械性能**

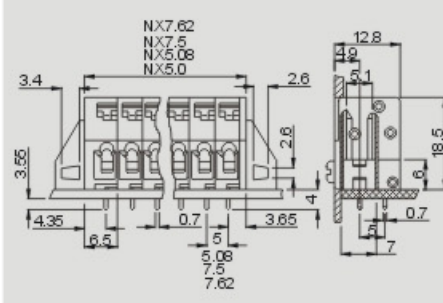
环境温度:	-40°C ~ +105°C
剥线长度:	5-6mm

※ **尺寸**

间距:	5.0mm (.197") 5.08mm (.200") 7.5mm (.295") 7.62mm (.300")
极数:	1P~XXP

※ **材质和电镀**

塑件:	PA66, UL94V-0
焊脚:	磷青铜, 镀锡
弹片:	不锈钢



Pitch: 5.0, 5.08, 7.5, 7.62mm; Poles: 1P~XXP

APPROVAL

※ Electrical	
Standard	: UL IEC
Rated voltage	: 300V 250V, 450V
Rated current	: 15A 24A
Wire range	: 28 -12AWG 2.5 mm ²
Withstanding voltage	: AC2000V/1Min

※ **Mechanical**

Ambient temperature	: -40°C ~ +105°C
Strip length	: 5-6mm

※ **Dimensions**

Pitch	: 5.0mm (.197") 5.08mm (.200") 7.5mm (.295") 7.62mm (.300")
Poles	: 1P~XXP

※ **Material**

Housing	: PA66, UL94V-0
Pin header	: Phosphor bronze, Tin plated
Wire guard	: Stainless steel

※ **电气性能**

参考标准:	UL IEC
额定电压:	350V 250V, 450V
额定电流:	15A 24A
导线线径:	28 -12AWG 2.5 mm ²
耐电压:	AC2000V/1Min

※ **机械性能**

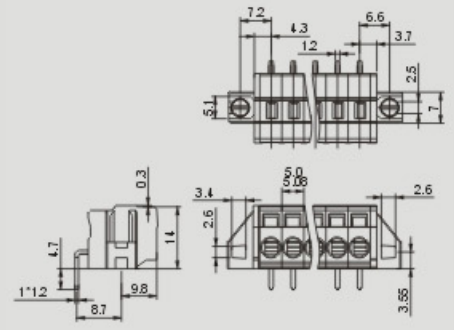
环境温度:	-40°C ~ +105°C
剥线长度:	5-6mm

※ **尺寸**

间距:	5.0mm (.197") 5.08mm (.200") 7.5mm (.295") 7.62mm (.300")
极数:	1P~XXP

※ **材质和电镀**

塑件:	PA66, UL94V-0
焊脚:	磷青铜, 镀锡
弹片:	不锈钢



Pitch: 5.0, 5.08mm; Poles: 1P~XXP

APPROVAL

※ Electrical	
Standard	: UL IEC
Rated voltage	: 300V 250V
Rated current	: 15A 16A
Wire range	: 28 -12AWG 2.5 mm ²
Withstanding voltage	: AC2000V/1Min

※ **Mechanical**

Ambient temperature	: -40°C ~ +105°C
Strip length	: 8-9mm

※ **Dimensions**

Pitch	: 5.0mm (.197") 5.08mm (.200")
Poles	: 1P~XXP

※ **Material**

Housing	: PA66, UL94V-0
Pin header	: Phosphor bronze, Tin plated
Wire guard	: Stainless steel

※ **电气性能**

参考标准:	UL IEC
额定电压:	300V 250V
额定电流:	15A 16A
导线线径:	28 -12AWG 2.5 mm ²
耐电压:	AC2000V/1Min

※ **机械性能**

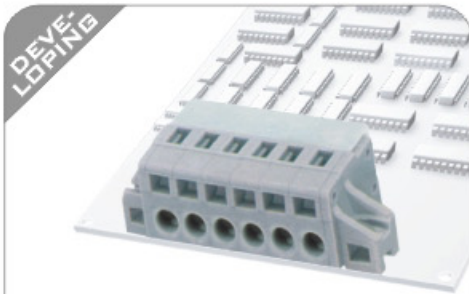
环境温度:	-40°C ~ +105°C
剥线长度:	8-9mm

※ **尺寸**

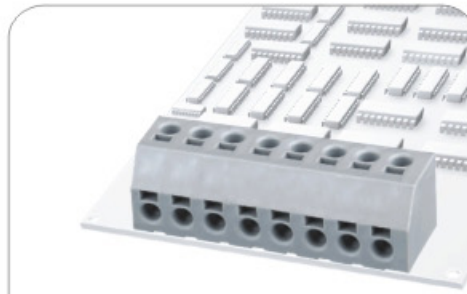
间距:	5.0mm (.197") 5.08mm (.200")
极数:	1P~XXP

※ **材质和电镀**

塑件:	PA66, UL94V-0
焊脚:	磷青铜, 镀锡
弹片:	不锈钢



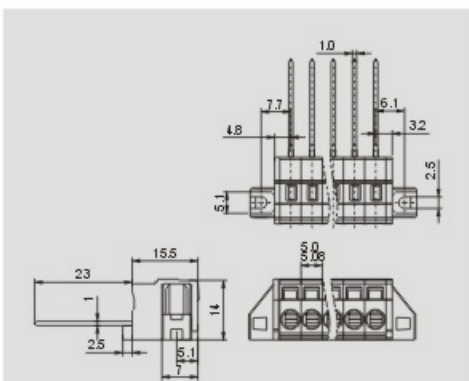
DG207V-5.0
DG207V-5.08



DG208-5.0
DG208-7.5



DG227



Pitch: 5.0, 5.08mm; Poles: 1P~XXP

APPROVAL :

※ Electrical		
Standard	: UL	IEC
Rated voltage	: 300V	250V
Rated current	: 15A	16A
Wire range	: 28 -12AWG	2.5 mm ²
Withstanding voltage	: AC2000V/1Min	

※ **Mechanical**

Ambient temperature	: -40°C ~ +105°C
Strip length	: 8-9mm

※ **Dimensions**

Pitch	: 5.0mm(.197") 5.08mm(.200")
Poles	: 1P~XXP

※ **Material**

Housing	: PA66, UL94V-0
Pin header	: Phosphor bronze, Tin plated
Wire guard	: Stainless steel

※ **电气性能**

参考标准:	UL	IEC
额定电压:	300V	250V
额定电流:	15A	16A
导线线径:	28 -12AWG	2.5 mm ²
耐电压:	AC2000V/1Min	

※ **机械性能**

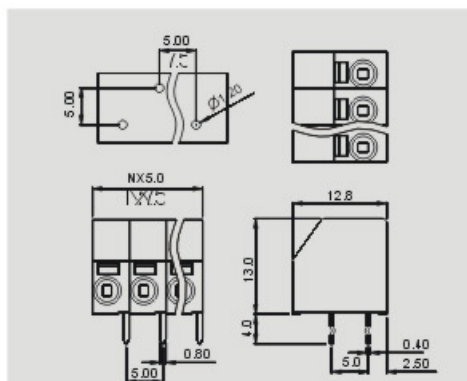
环境温度:	-40°C ~ +105°C
剥线长度:	8-9mm

※ **尺寸**

间距:	5.0mm(.197") 5.08mm(.200")
极数:	1P~XXP

※ **材质和电镀**

塑件:	PA66, UL94V-0
焊脚:	磷青铜, 镀锡
弹片:	不锈钢



Pitch: 5.0, 7.5mm; Poles: 1P~XXP

APPROVAL :

※ Electrical		
Standard	: UL	IEC
Rated voltage	: 300V	250V, 400V
Rated current	: 2A	10A
Wire range	: 2X20-16 AWG	2X0.5-1.5 mm ²
Withstanding voltage	: AC2000V/1Min	

※ **Mechanical**

Ambient temperature	: -40°C ~ +105°C
Strip length	: 8.5-9.5mm

※ **Dimensions**

Pitch	: 5.0mm(.197") 7.5mm(.295")
Poles	: 1P~XXP

※ **Material**

Housing	: PA66, UL94V-0
Wire guard	: Stainless steel
Contact	: Brass, Tin plated

※ **电气性能**

参考标准:	UL	IEC
额定电压:	300V	250V, 400V
额定电流:	2A	10A
导线线径:	2X20-16 AWG	2X0.5-1.5 mm ²
耐电压:	AC2000V/1Min	

※ **机械性能**

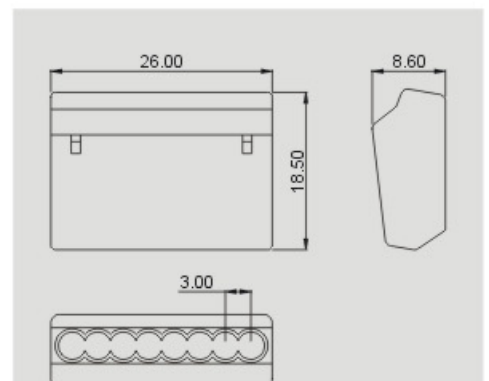
环境温度:	-40°C ~ +105°C
剥线长度:	8.5-9.5mm

※ **尺寸**

间距:	5.0mm(.197") 7.5mm(.295")
极数:	1P~XXP

※ **材质和电镀**

塑件:	PA66, UL94V-0
弹片:	不锈钢
触点材料:	黄铜, 镀锡



Poles: 3P, 5P, 8P

APPROVAL :

※ Electrical		
Standard	: UL	IEC
Rated voltage	: 600V	400V
Rated current	: 10A	18A
Wire range	: 18 -16AWG	1.5 mm ²
Withstanding voltage	: AC2500V/1Min	

※ **Mechanical**

Ambient temperature	: -40°C ~ +105°C
Strip length	: 10-13mm

※ **Dimensions**

Poles	: 3P, 5P, 8P
-------	--------------

※ **Material**

Housing	: PA66, UL94V-0
Wire guard	: Stainless steel
Contact	: Brass, Ni plated

※ **电气性能**

参考标准:	UL	IEC
额定电压:	600V	400V
额定电流:	10A	18A
导线线径:	18 -16AWG	1.5 mm ²
耐电压:	AC2500V/1Min	

※ **机械性能**

环境温度:	-40°C ~ +105°C
剥线长度:	10-13mm

※ **尺寸**

极数:	3P, 5P, 8P
-----	------------

※ **材质和电镀**

塑件:	PA66, UL94V-0
弹片:	不锈钢
触点材料:	黄铜, 镀锡



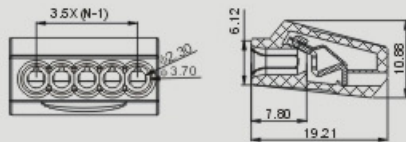
DG228-3.5




DG230



DG222-8.0



Pitch: 3.5mm; Poles: 2P, 3P, 4P, 5P, 8P

APPROVAL : In the course of application 
※ Electrical
 Standard : UL IEC
 Rated voltage : 600V 450V
 Rated current : 20A 24A
 Wire range : 22 -14AWG 2.5 mm²
 Withstanding voltage : AC2500V/1Min

※ Mechanical
 Ambient temperature : -40°C ~ +105°C
 Strip length : 10-13mm

※ Dimensions
 Pitch : 3.5mm (.138")
 Poles : 2P, 3P, 4P, 5P, 8P

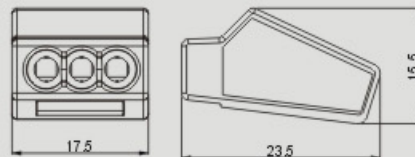
※ Material
 Housing : PA66, UL94V-0
 Wire guard : Stainless steel
 Contact : Brass, Ni plated

※ 电气性能
 参考标准: UL IEC
 额定电压: 600V 450V
 额定电流: 20A 24A
 导线线径: 22 -14AWG 2.5 mm²
 耐电压: AC2500V/1Min

※ 机械性能
 环境温度: -40°C ~ +105°C
 剥线长度: 10-13mm

※ 尺寸
 间距: 3.5mm (.138")
 极数: 2P, 3P, 4P, 5P, 8P

※ 材质和电镀
 塑件: PA66, UL94V-0
 弹片: 不锈钢
 触点材料: 黄铜, 镀镍



Poles: 3P

APPROVAL :
※ Electrical
 Standard : UL IEC
 Rated voltage : 600V 400V
 Rated current : 30A 32A
 Wire range : 14 -10AWG 1.5-4 mm²
 Withstanding voltage : AC2500V/1Min

※ Mechanical
 Ambient temperature : -40°C ~ +105°C
 Strip length : 12-15mm

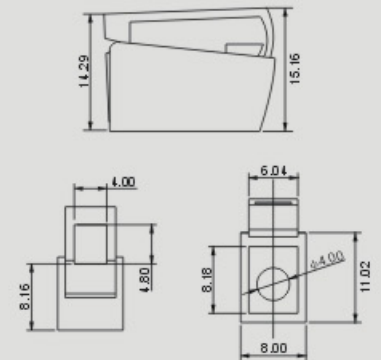
※ Dimensions
 Poles : 3P
※ Material
 Housing : PA66, UL94V-0
 Wire guard : Stainless steel
 Contact : Brass, Ni plated

※ 电气性能
 参考标准: UL IEC
 额定电压: 600V 400V
 额定电流: 30A 32A
 导线线径: 14 -10AWG 1.5-4 mm²
 耐电压: AC2500V/1Min

※ 机械性能
 环境温度: -40°C ~ +105°C
 剥线长度: 12-15mm

※ 尺寸
 极数: 3P

※ 材质和电镀
 塑件: PA66, UL94V-0
 弹片: 不锈钢
 触点材料: 黄铜, 镀镍



Pitch: 8.0mm; Poles: 1P

APPROVAL :
※ Electrical
 Standard : UL IEC
 Rated voltage : 300V 450V
 Rated current : 20A 24A
 Wire range : 22 -14AWG 2.5 mm²
 Withstanding voltage : AC2500V/1Min

※ Mechanical
 Ambient temperature : -40°C ~ +105°C
 Strip length : 9-11mm

※ Dimensions
 Pitch : 8.0mm (.315")
 Poles : 1P

※ Material
 Housing : PA66, UL94V-0
 Wire guard : Stainless steel
 Contact : Phosphor bronze

※ 电气性能
 参考标准: UL IEC
 额定电压: 300V 450V
 额定电流: 20A 24A
 导线线径: 22 -14AWG 2.5 mm²
 耐电压: AC2500V/1Min

※ 机械性能
 环境温度: -40°C ~ +105°C
 剥线长度: 9-11mm

※ 尺寸
 间距: 8.0mm (.315")
 极数: 1P

※ 材质和电镀
 塑件: PA66, UL94V-0
 弹片: 不锈钢
 触点材料: 磷青铜

DEVE-
LOPING



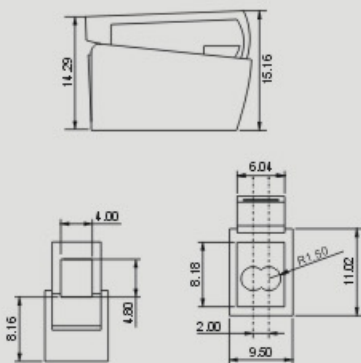
DG222T-9.5



DG224-8.0



DG238-10.0



Pitch: 9.5 mm; Poles: 1 P

APPROVAL :
※ Electrical
 Standard : UL IEC
 Rated voltage : 300V 450V
 Rated current : 20A 24 A
 Wire range : 22 -14AWG 2.5 mm²
 Withstanding voltage: AC2500V/1Min

※ Mechanical
 Ambient temperature: -40°C ~ +105°C
 Strip length : 9-11mm

※ Dimensions
 Pitch : 9.5mm (.374")
 Poles : 1P

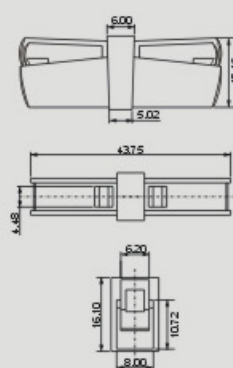
※ Material
 Housing : PA66, UL94V-0
 Wire guard : Stainless steel
 Contact : Phosphor bronze

※ 电气性能
 参考标准: UL IEC
 额定电压: 300V 450V
 额定电流: 20A 24A
 导线线径: 22 -14AWG 2.5 mm²
 耐电压: AC2500V/1Min

※ 机械性能
 环境温度: -40°C ~ +105°C
 剥线长度: 9-11mm

※ 尺寸
 间距: 9.5mm (.374")
 极数: 1P

※ 材质和电镀
 塑件: PA66, UL94V-0
 弹片: 不锈钢
 触点材料: 磷青铜



Pitch: 8.0 mm; Poles: 1 P

APPROVAL :
※ Electrical
 Standard : UL IEC
 Rated voltage : 300V 450V
 Rated current : 20A 24 A
 Wire range : 22 -14AWG 2.5 mm²
 Withstanding voltage: AC2500V/1Min

※ Mechanical
 Ambient temperature: -40°C ~ +105°C
 Strip length : 9-11mm

※ Dimensions
 Pitch : 8.0mm (.315")
 Poles : 1P

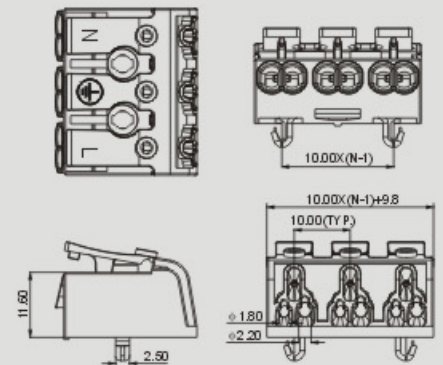
※ Material
 Housing : PA66, UL94V-0
 Wire guard : Stainless steel
 Contact : Phosphor bronze

※ 电气性能
 参考标准: UL IEC
 额定电压: 300V 450V
 额定电流: 20A 24A
 导线线径: 22 -14AWG 2.5 mm²
 耐电压: AC2500V/1Min

※ 机械性能
 环境温度: -40°C ~ +105°C
 剥线长度: 9-11mm

※ 尺寸
 间距: 8.0mm (.315")
 极数: 1P

※ 材质和电镀
 塑件: PA66, UL94V-0
 弹片: 不锈钢
 触点材料: 磷青铜



Pitch: 10.0 mm; Poles: 2P ~ 5P

APPROVAL :
※ Electrical
 Standard : UL IEC
 Rated voltage : 600V 450V
 Rated current : 20A 24 A
 Wire range : 22 -14AWG 0.75-2.5 mm²
 Withstanding voltage: AC2500V/1Min

※ Mechanical
 Ambient temperature: -40°C ~ +105°C
 Strip length : 9-10mm

※ Dimensions
 Pitch : 10.0mm (.394")
 Poles : 2P ~ 5P

※ Material
 Housing : PA66, UL94V-2
 Wire guard : Stainless steel
 Contact : Copper

※ 电气性能
 参考标准: UL IEC
 额定电压: 600V 450V
 额定电流: 20A 24A
 导线线径: 22 -14AWG 0.75-2.5 mm²
 耐电压: AC2500V/1Min

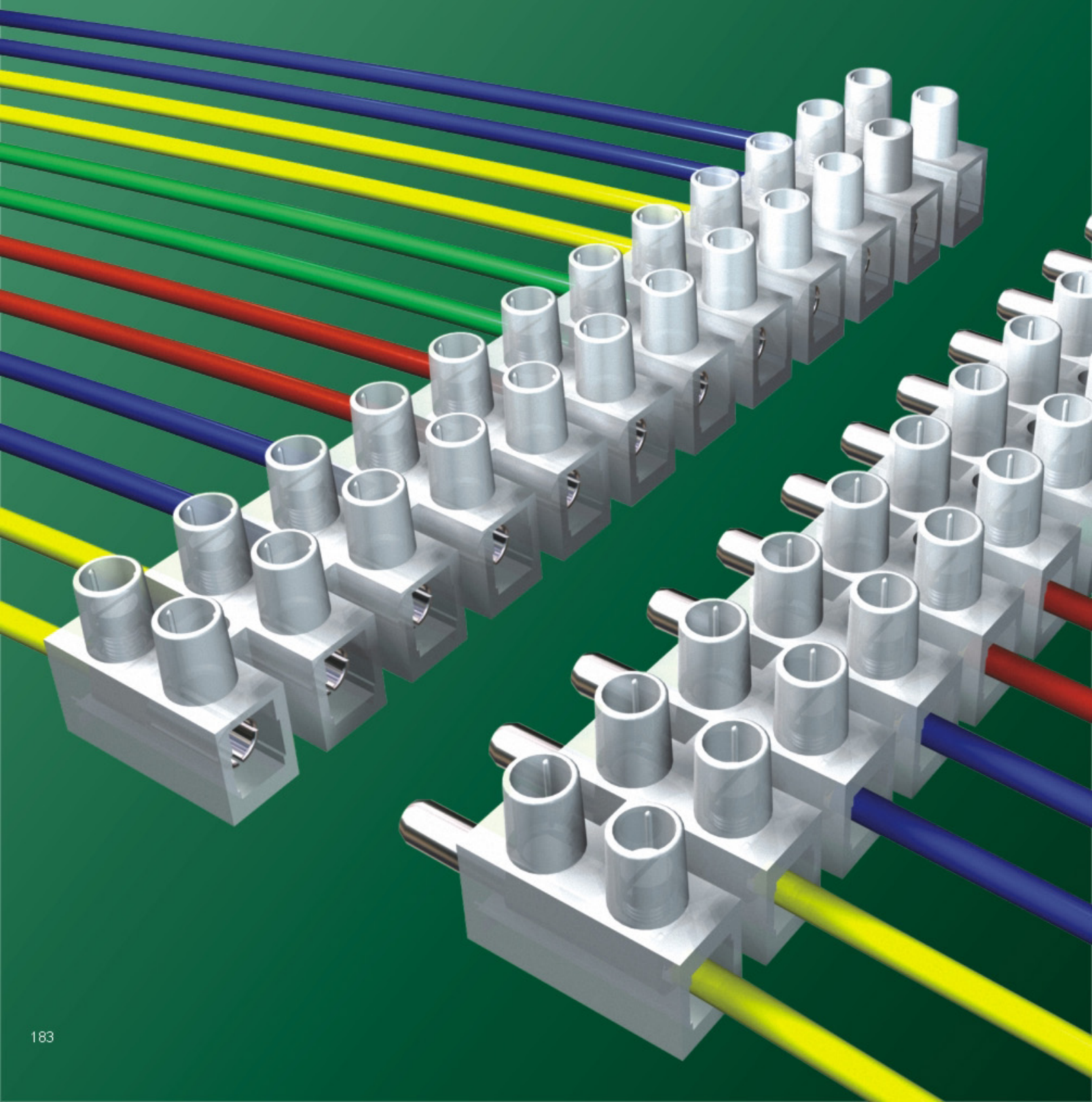
※ 机械性能
 环境温度: -40°C ~ +105°C
 剥线长度: 9-10mm

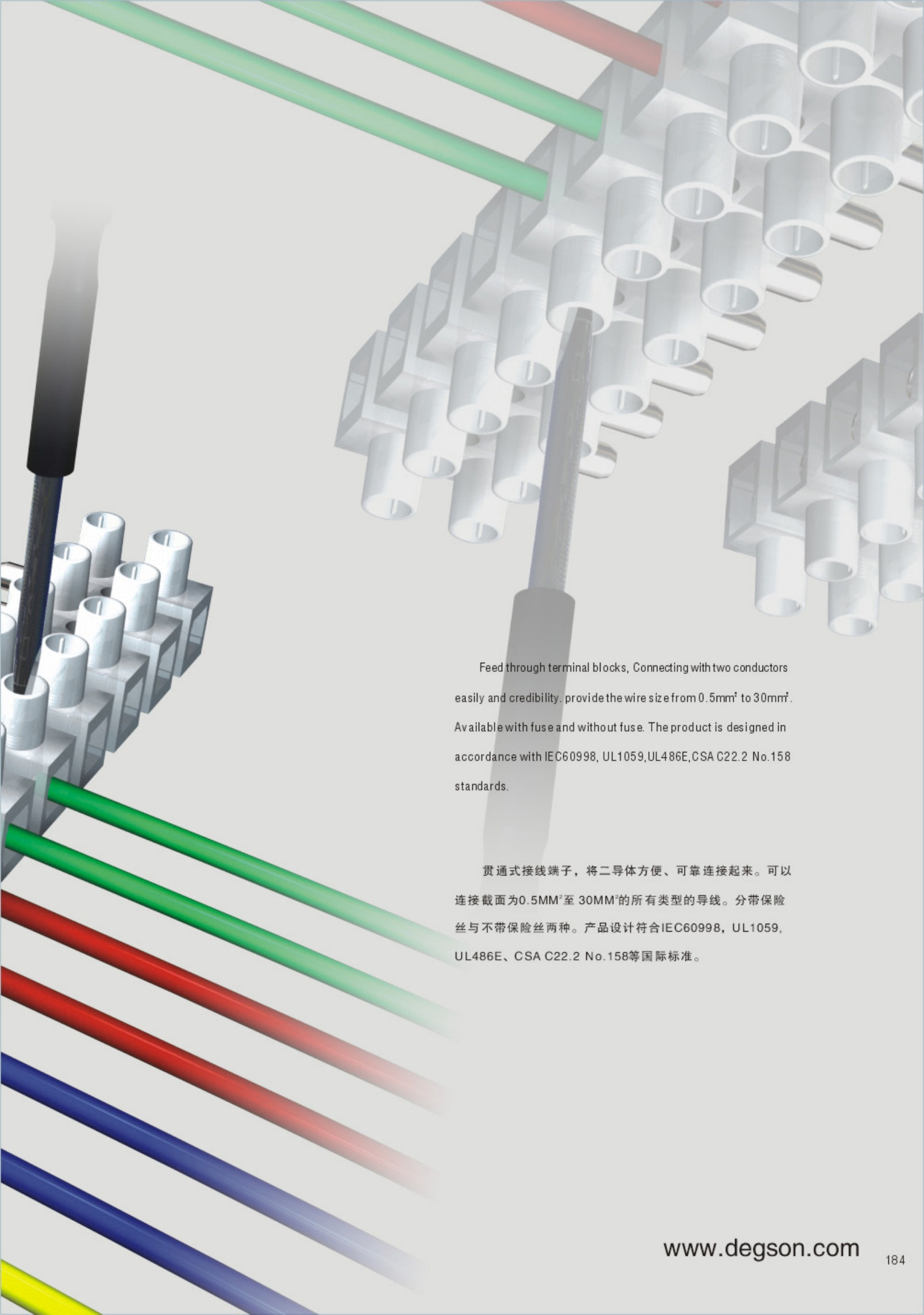
※ 尺寸
 间距: 10.0mm (.394")
 极数: 2P ~ 5P

※ 材质和电镀
 塑件: PA66, UL94V-2
 弹片: 不锈钢
 触点材料: 紫铜

FEED THROUGH Terminal Blocks

贯通式接线端子





Feed through terminal blocks, Connecting with two conductors easily and credibility. provide the wire size from 0.5mm² to 30mm². Available with fuse and without fuse. The product is designed in accordance with IEC60998, UL1059,UL486E,CSA C22.2 No.158 standards.

贯通式接线端子，将二导体方便、可靠连接起来。可以连接截面为0.5MM²至 30MM²的所有类型的导线。分带保险丝与不带保险丝两种。产品设计符合IEC60998，UL1059，UL486E、CSA C22.2 No.158等国际标准。

TYPE: DG □ HS DG □ HSWP FEED THROUGH TERMINAL BLOCKS

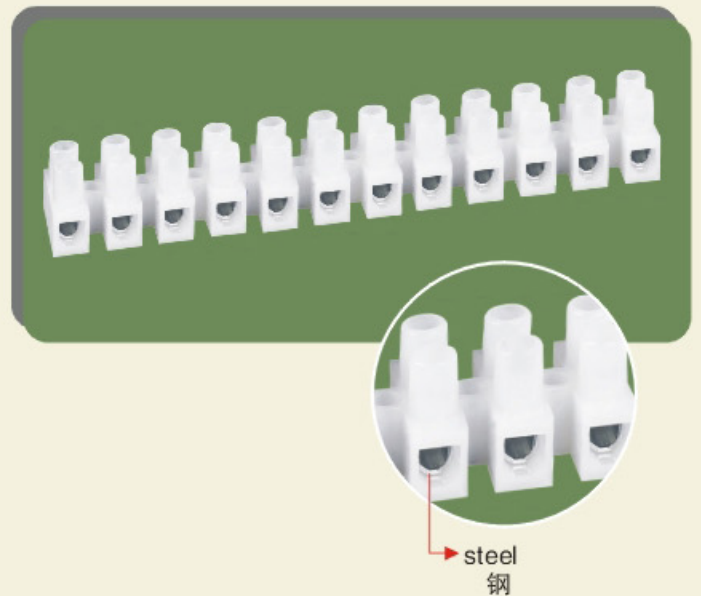
THE ADVANTAGES FOR THE PRODUCT OF HS SERIES HS系列产品的优点

THE ADVANTAGES FOR THE PRODUCT OF HS SERIES WITH STEEL MATERIAL

- ※ The main material of current carrier is steel with strengthened resistance, better torque.
- ※ the valuable choice with quality and price
- ※ The product is in accordance with UL and IEC standard.
- ※ Capability of connection from 0.5mm²-35mm², chosen freely.
- ※ Multiple choice on the housing material.

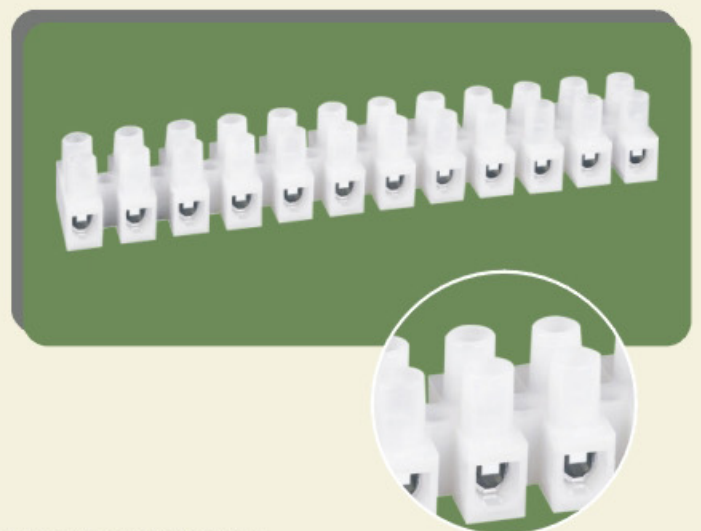
钢HS系列产品的优点

- ※ 压线框的基材为钢材，强度高，扭力更好
- ※ 最优的性能价格比
- ※ 产品性能符合UL，IEC标准要求
- ※ 接线容量从 0.5mm²-35mm²，可以自由选择
- ※ 多种塑胶，自由选择



The advantages of DG □ HSWP with wire guard protector

- ※ The main material of current cage is steel with more strengthened resistance and better torque.
- ※ Add phosphor bronze wire guard protector on the current carrier, which makes the conductivity much better. Meanwhile, phosphor bronze wire guard helps to transmit the power and signal so that the temperature rising can be effectively restrained.
- ※ Phosphor bronze wire guard protector will protect the wire from being damaged by screws
- ※ The product is in accordance with UL and IEC standard.
- ※ Wide range of connection capability from 0.5mm²-25mm², choose freely.
- ※ Patents obtaining for many countries, multiple choices on housing material, choose freely.



DG □ HSWP 带弹片产品的优点：

- ※ 压线框的材质为钢材，强度高，扭力更好；
- ※ 在导电管上加入一个磷青铜弹片，导电性能更好；铜质弹片有助于电源或信号的传导，达到抑制温升的作用；
- ※ 磷青铜弹片，对导线起到保护作用，防止螺钉损坏导线；
- ※ 产品性能符合UL，IEC标准要求
- ※ 接线容量从0.5mm²-25mm²，可以自由选择；
- ※ 获多国专利，多种塑胶，自由选择。

THE ADVANTAGES OF CLADDED COPPER

- ※The main material of current carrier is steel with strengthened resistance, better torque.
- ※There is 99% pure copper at the bottom of current carrier.
- ※The product is in accordance with UL and IEC standard.
- ※Capability of connection from 0.5mm²-35mm², chosen freely.
- ※New-style material terminal block, patented products in many countries.
- ※Multiple choice on the housing material.

复合铜的优点

- ※压线框的基材为钢材，强度高，扭力更好
- ※压线框的底部，局部覆有一层99%以上的纯铜，导电性能更好
- ※产品性能符合UL，IEC标准要求
- ※接线容量从0.5mm²-35mm²，可以自由选择
- ※新型材料接线体，获多国专利
- ※多种塑胶，自由选择



Saved 20%

- 1.Application of new composite material, this immensely cuts the cost of products.
- 2.U type wire connection, compared with former same products, the capacity of wire range increased 1 rank.

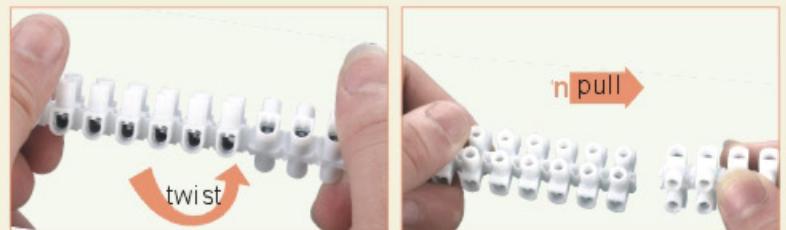
节约20%

- 更低价格；超大线径；
多种专利；多国认证；

TYPE:DG□U FEED THROUGH TERMINAL BLOCKS

THE ADVANTAGES OF U-TYPE PRODUCTS

- ※The main material of current carrier is steel with strengthened resistance, better torque.
- ※The product is in accordance with IEC standard.
- ※Capability of connection from 0.5mm²-16mm², chosen freely.
- ※Special design of easy to break slot easier and more convenient to operate.



U型产品的优点

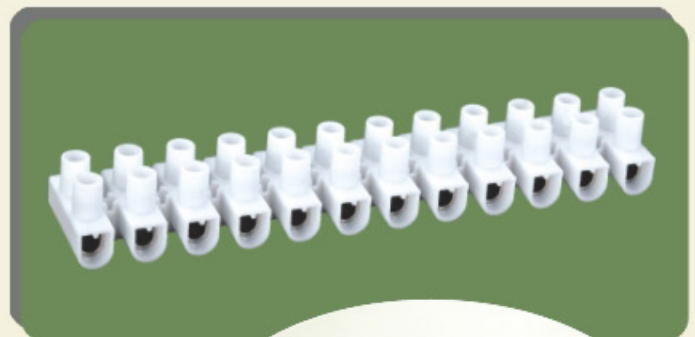
- ※压线框的基材为钢材，强度高，扭力更好
- ※产品性能符合IEC标准要求
- ※接线容量从0.5mm²-16mm²，可以自由选择
- ※特殊的"易断槽"设计，操作更灵活，方便

Saved 20%

- U type wire connection, compared with former same products, the capacity of wire range increased 1 rank.

节约20%

- 更低价格；超大线径；
多种专利；多国认证；



DG□HS (PA66, T110°C)

UL US DVE CE CCC SGS RoHS

- ※ Housing material: PA66, UL94V-2.
- ※ Current carrier: Cladded copper strips, Cr⁺ Zn plated.
- ※ Screws: Steel, Cr⁺ Zn plated.
- ※ Ambient temperature: -40°C~T110°C.
- ※ Poles available: 2-12poles

- ※ 塑 件: 尼龙66, UL94V-2.
- ※ 载流体: 铁复合铜, 镀三价铬钝化彩锌
- ※ 螺 丝: 钢, 镀三价铬钝化彩锌
- ※ 环境温度: -40°C~T110°C
- ※ 极 数: 2-12线



DG□HS-0



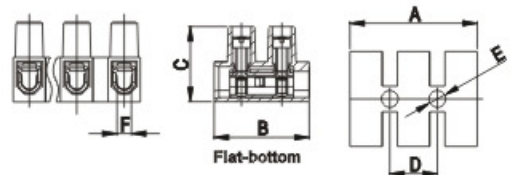
Flat-bottom



Pure copper

DG8HS-0 DG10HS-0
DG12HS-0 DG15HS-0
DG16HS-0 DG18HS-0

型号 Model	线径(mm) Wire range	IEC技术参数(datasheet)		UI技术参数(datasheet)		尺寸 Dimensions(mm/in.)						
		电流(A) Rated current	电压(V) Rated voltage	电流(A) Rated current	电压(V) Rated voltage	Unit	A	B	C	D	E	F
DG8HS-0	0.5-4.0mm ²	32A	450V	15A	300V	(mm)	96.05	17.80	14.30	8.20	φ3.00	2.90*3.40
DG10HS-0	1.0-6.0mm ²	41A	450V	20A	300V	(mm)	116.70	20.00	15.60	10.00	φ3.50	3.45*4.00
DG12HS-0	2.5-10.0mm ²	57A	750V	30A	300V	(mm)	134.30	23.40	17.80	11.50	φ3.70	4.25*4.70
DG15HS-0	6.0-16.0mm ²	76A	750V	50A	300V	(mm)	174.80	25.20	21.80	15.00	φ5.20	5.50*6.00
DG16HS-0	10.0-25.0mm ²	101A	750V	65A	300V	(mm)	188.00	30.00	26.50	16.00	φ4.00	7.00*7.50
DG18HS-0	16.0-35.0mm ²	125A	750V	85A	600V	(mm)	212.10	36.50	28.50	18.00	φ4.00	8.10*8.60



DG□HS-1.2



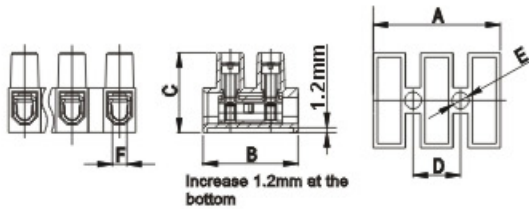
Increase 1.2mm at the bottom



Pure copper

DG8HS-1.2 DG10HS-1.2
DG12HS-1.2 DG15HS-1.2
DG16HS-1.2 DG18HS-1.2

型号 Model	线径(mm) Wire range	IEC技术参数(datasheet)		UI技术参数(datasheet)		尺寸 Dimensions(mm/in.)						
		电流(A) Rated current	电压(V) Rated voltage	电流(A) Rated current	电压(V) Rated voltage	Unit	A	B	C	D	E	F
DG8HS-1.2	0.5-4.0mm ²	32A	450V	15A	300V	(mm)	96.05	17.80	15.50	8.20	φ3.00	2.90*3.40
DG10HS-1.2	1.0-6.0mm ²	41A	450V	20A	300V	(mm)	116.70	20.00	16.80	10.00	φ3.50	3.45*4.00
DG12HS-1.2	2.5-10.0mm ²	57A	750V	30A	300V	(mm)	134.30	23.40	19.00	11.50	φ3.70	4.25*4.70
DG15HS-1.2	6.0-16.0mm ²	76A	750V	50A	300V	(mm)	174.80	25.20	23.00	15.00	φ5.20	5.50*6.00
DG16HS-1.2	10.0-25.0mm ²	101A	750V	65A	300V	(mm)	188.00	30.00	27.70	16.00	φ4.00	7.00*7.50
DG18HS-1.2	16.0-35.0mm ²	125A	750V	85A	600V	(mm)	212.10	36.50	29.70	18.00	φ4.00	8.10*8.60



DG□HS-4.3



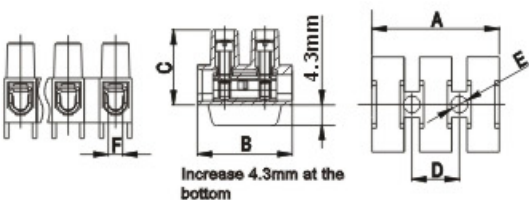
Increase 4.3mm at the bottom



Pure copper

DG8HS-4.3 DG10HS-4.3
DG12HS-4.3 DG15HS-4.3
DG16HS-4.3 DG18HS-4.3

型号 Model	线径(mm) Wire range	IEC技术参数(datasheet)		UI技术参数(datasheet)		尺寸 Dimensions(mm/in.)						
		电流(A) Rated current	电压(V) Rated voltage	电流(A) Rated current	电压(V) Rated voltage	Unit	A	B	C	D	E	F
DG8HS-4.3	0.5-4.0mm ²	32A	450V	15A	300V	(mm)	96.05	17.80	18.60	8.20	φ3.00	2.90*3.40
DG10HS-4.3	1.0-6.0mm ²	41A	450V	20A	300V	(mm)	116.70	20.00	19.90	10.00	φ3.50	3.45*4.00
DG12HS-4.3	2.5-10.0mm ²	57A	750V	30A	300V	(mm)	134.30	23.40	22.10	11.50	φ3.70	4.25*4.70
DG15HS-4.3	6.0-16.0mm ²	76A	750V	50A	300V	(mm)	174.80	25.20	26.10	15.00	φ5.20	5.50*6.00
DG16HS-4.3	10.0-25.0mm ²	101A	750V	65A	300V	(mm)	188.00	30.00	30.80	16.00	φ4.00	7.00*7.50
DG18HS-4.3	16.0-35.0mm ²	125A	750V	85A	600V	(mm)	212.10	36.50	32.80	18.00	φ4.00	8.10*8.60



DG□HSWP (PA66, T110°C, With Wire Protector)


- ※ Housing material :PA66,UL94V-2.
- ※ Current carrier:Steel,Cr³⁺ Zn plated.
- ※ Screws: Steel, Cr³⁺ Zn plated.
- ※ Wire guard: Phosphor bronze.
- ※ Ambient temperature:-40°C~T110°C.
- ※ Poles available:2-12poles

- ※ 塑 件: 尼龙66, UL94V-2.
- ※ 载流体: 钢, 镀三价铬钝化彩锌
- ※ 螺 丝: 钢, 镀三价铬钝化彩锌
- ※ 簧 片: 磷青铜
- ※ 环 境 温 度: -40°C~T110°C
- ※ 极 数: 2-12线



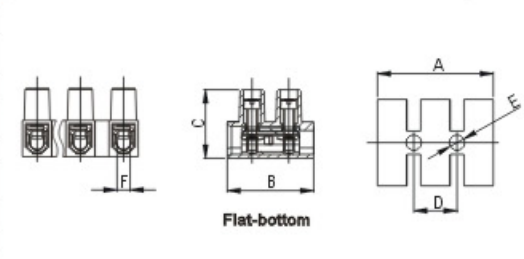
型号 Model	线径(mm) Wire range	IEC技术参数 (datasheet)		UI技术参数 (datasheet)		尺寸 Dimensions(mm/in.)						
		电流(A) Rated current	电压(V) Rated voltage	电流(A) Rated current	电压(V) Rated voltage	Unit	A	B	C	D	E	F
DG8HSWP-0	0.5-2.5mm ²	24A	450V	15A	300V	(mm)	96.05	17.80	14.30	8.20	±3.00	2.90*2.30
DG10HSWP-0	0.5-4.0mm ²	32A	450V	20A	300V	(mm)	116.70	20.00	15.60	10.00	±3.50	3.45*2.70
DG12HSWP-0	2.5-6.0mm ²	41A	750V	30A	300V	(mm)	134.30	23.40	17.80	11.50	±3.70	4.25*3.30
DG15HSWP-0	6.0-10.0mm ²	57A	750V	50A	300V	(mm)	174.80	25.20	21.80	15.00	±5.20	5.50*4.50
DG16HSWP-0	10.0-16.0mm ²	76A	750V	65A	300V	(mm)	188.00	30.00	26.50	16.00	±4.00	7.00*5.50
DG18HSWP-0	16.0-25.0mm ²	101A	750V	85A	600V	(mm)	212.10	36.50	28.50	18.00	±4.00	8.10*6.80

DG□HSWP-0




Flat-bottom Wire Protector

DG8HSWP-0 DG10HSWP-0
DG12HSWP-0 DG15HSWP-0
DG16HSWP-0 DG18HSWP-0



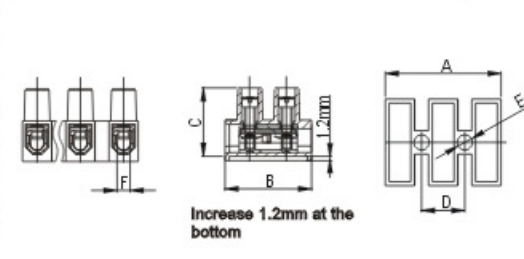
型号 Model	线径(mm) Wire range	IEC技术参数 (datasheet)		UI技术参数 (datasheet)		尺寸 Dimensions(mm/in.)						
		电流(A) Rated current	电压(V) Rated voltage	电流(A) Rated current	电压(V) Rated voltage	Unit	A	B	C	D	E	F
DG8HSWP-1.2	0.5-2.5mm ²	24A	450V	15A	300V	(mm)	96.05	17.80	15.50	8.20	±3.00	2.90*2.30
DG10HSWP-1.2	0.5-4.0mm ²	32A	450V	20A	300V	(mm)	116.70	20.00	16.80	10.00	±3.50	3.45*2.70
DG12HSWP-1.2	2.5-6.0mm ²	41A	750V	30A	300V	(mm)	134.30	23.40	19.00	11.50	±3.70	4.25*3.30
DG15HSWP-1.2	6.0-10.0mm ²	57A	750V	50A	300V	(mm)	174.80	25.20	23.00	15.00	±5.20	5.50*4.50
DG16HSWP-1.2	10.0-16.0mm ²	76A	750V	65A	300V	(mm)	188.00	30.00	27.70	16.00	±4.00	7.00*5.50
DG18HSWP-1.2	16.0-25.0mm ²	101A	750V	85A	600V	(mm)	212.10	36.50	29.70	18.00	±4.00	8.10*6.80

DG□HSWP-1.2




Wire Protector
Increase 1.2mm at the bottom

DG8HSWP-1.2 DG10HSWP-1.2
DG12HSWP-1.2 DG15HSWP-1.2
DG16HSWP-1.2 DG18HSWP-1.2



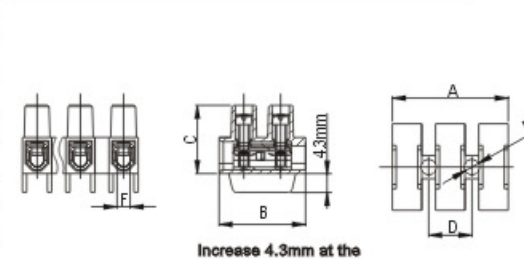
型号 Model	线径(mm) Wire range	IEC技术参数 (datasheet)		UI技术参数 (datasheet)		尺寸 Dimensions(mm/in.)						
		电流(A) Rated current	电压(V) Rated voltage	电流(A) Rated current	电压(V) Rated voltage	Unit	A	B	C	D	E	F
DG8HSWP-4.3	0.5-2.5mm ²	24A	450V	15A	300V	(mm)	96.05	17.80	18.60	8.20	±3.00	2.90*2.30
DG10HSWP-4.3	0.5-4.0mm ²	32A	450V	20A	300V	(mm)	116.70	20.00	19.90	10.00	±3.50	3.45*2.70
DG12HSWP-4.3	2.5-6.0mm ²	41A	750V	30A	300V	(mm)	134.30	23.40	22.10	11.50	±3.70	4.25*3.30
DG15HSWP-4.3	6.0-10.0mm ²	57A	750V	50A	300V	(mm)	174.80	25.20	26.10	15.00	±5.20	5.50*4.50
DG16HSWP-4.3	10.0-16.0mm ²	76A	750V	65A	300V	(mm)	188.00	30.00	30.80	16.00	±4.00	7.00*5.50
DG18HSWP-4.3	16.0-25.0mm ²	101A	750V	85A	600V	(mm)	212.10	36.50	32.80	18.00	±4.00	8.10*6.80

DG□HSWP-4.3



Wire Protector
Increase 4.3mm at the bottom

DG8HSWP-4.3 DG10HSWP-4.3
DG12HSWP-4.3 DG15HSWP-4.3
DG16HSWP-4.3 DG18HSWP-4.3



DG□HS (PP, T80°C)



- ※ Housing material: PP, UL94V-2.
- ※ Current carrier: Steel, Cr³⁺ Zn plated.
- ※ Screws: Steel, Cr³⁺ Zn plated.
- ※ Ambient temperature: -40°C~T80°C.
- ※ Poles available: 2-12poles

- ※ 塑件: PP, UL94V-2.
- ※ 载流体: 钢, 镀三价铬钝化彩锌
- ※ 螺丝: 钢, 镀三价铬钝化彩锌
- ※ 环境温度: -40°C~T80°C
- ※ 极数: 2-12线



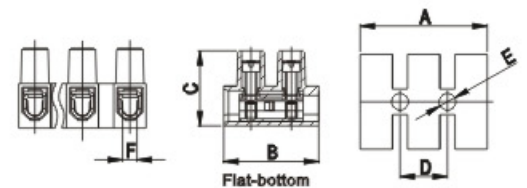
DG□HS-0



Flat-bottom

DG8HS-0 DG10HS-0
DG12HS-0 DG15HS-0
DG16HS-0 DG18HS-0

型号 Model	线径(mm) Wire range	IEC技术参数(datasheet)		UI技术参数(datasheet)		尺寸 Dimensions(mm/in.)						
		电流(A) Rated current	电压(V) Rated voltage	电流(A) Rated current	电压(V) Rated voltage	Unit	A	B	C	D	E	F
DG8HS-0	0.5-4.0mm ²	32A	450V	15A	300V	(mm)	96.05	17.80	14.30	8.20	±3.00	2.90*3.40
DG10HS-0	1.0-6.0mm ²	41A	450V	20A	300V	(mm)	116.70	20.00	15.60	10.00	±3.50	3.45*4.00
DG12HS-0	2.5-10.0mm ²	57A	750V	30A	300V	(mm)	134.30	23.40	17.80	11.50	±3.70	4.25*4.70
DG15HS-0	6.0-16.0mm ²	76A	750V	50A	300V	(mm)	174.80	25.20	21.80	15.00	±5.20	5.50*6.00
DG16HS-0	10.0-25.0mm ²	101A	750V	65A	300V	(mm)	188.00	30.00	26.50	16.00	±4.00	7.00*7.50
DG18HS-0	16.0-35.0mm ²	125A	750V	85A	600V	(mm)	212.10	36.50	28.50	18.00	±4.00	8.10*8.60



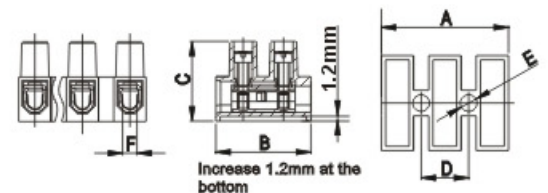
DG□HS-1.2



Increase 1.2mm at the bottom

DG8HS-1.2 DG10HS-1.2
DG12HS-1.2 DG15HS-1.2
DG16HS-1.2 DG18HS-1.2

型号 Model	线径(mm) Wire range	IEC技术参数(datasheet)		UI技术参数(datasheet)		尺寸 Dimensions(mm/in.)						
		电流(A) Rated current	电压(V) Rated voltage	电流(A) Rated current	电压(V) Rated voltage	Unit	A	B	C	D	E	F
DG8HS-1.2	0.5-4.0mm ²	32A	450V	15A	300V	(mm)	96.05	17.80	15.50	8.20	±3.00	2.90*3.40
DG10HS-1.2	1.0-6.0mm ²	41A	450V	20A	300V	(mm)	116.70	20.00	16.80	10.00	±3.50	3.45*4.00
DG12HS-1.2	2.5-10.0mm ²	57A	750V	30A	300V	(mm)	134.30	23.40	19.00	11.50	±3.70	4.25*4.70
DG15HS-1.2	6.0-16.0mm ²	76A	750V	50A	300V	(mm)	174.80	25.20	23.00	15.00	±5.20	5.50*6.00
DG16HS-1.2	10.0-25.0mm ²	101A	750V	65A	300V	(mm)	188.00	30.00	27.70	16.00	±4.00	7.00*7.50
DG18HS-1.2	16.0-35.0mm ²	125A	750V	85A	600V	(mm)	212.10	36.50	29.70	18.00	±4.00	8.10*8.60



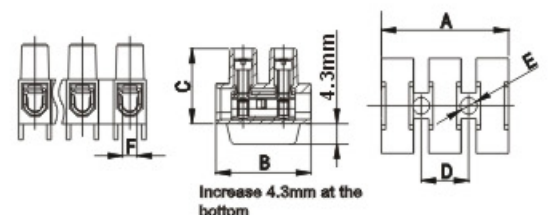
DG□HS-4.3



Increase 4.3mm at the bottom

DG8HS-4.3 DG10HS-4.3
DG12HS-4.3 DG15HS-4.3
DG16HS-4.3 DG18HS-4.3

型号 Model	线径(mm) Wire range	IEC技术参数(datasheet)		UI技术参数(datasheet)		尺寸 Dimensions(mm/in.)						
		电流(A) Rated current	电压(V) Rated voltage	电流(A) Rated current	电压(V) Rated voltage	Unit	A	B	C	D	E	F
DG8HS-4.3	0.5-4.0mm ²	32A	450V	15A	300V	(mm)	96.05	17.80	18.60	8.20	±3.00	2.90*3.40
DG10HS-4.3	1.0-6.0mm ²	41A	450V	20A	300V	(mm)	116.70	20.00	19.90	10.00	±3.50	3.45*4.00
DG12HS-4.3	2.5-10.0mm ²	57A	750V	30A	300V	(mm)	134.30	23.40	22.10	11.50	±3.70	4.25*4.70
DG15HS-4.3	6.0-16.0mm ²	76A	750V	50A	300V	(mm)	174.80	25.20	26.10	15.00	±5.20	5.50*6.00
DG16HS-4.3	10.0-25.0mm ²	101A	750V	65A	300V	(mm)	188.00	30.00	30.80	16.00	±4.00	7.00*7.50
DG18HS-4.3	16.0-35.0mm ²	125A	750V	85A	600V	(mm)	212.10	36.50	32.80	18.00	±4.00	8.10*8.60



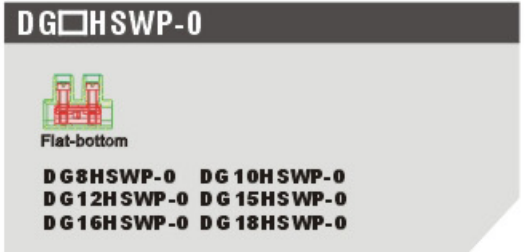
DG□HWP (PP, T80°C, With Wire Protector)



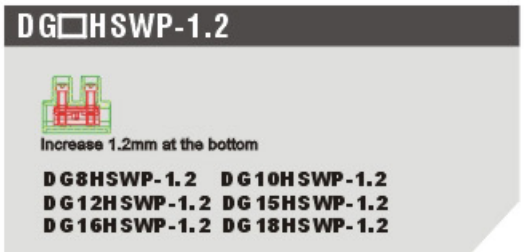
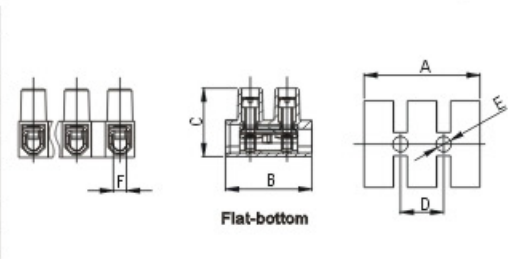



- ※ Housing material : PP, UL94V-2.
- ※ Current carrier: Steel, Cr³⁺ Zn plated.
- ※ Screws: Steel, Cr³⁺ Zn plated.
- ※ Wire guard: Phosphor bronze.
- ※ Ambient temperature: -40°C~T80°C.
- ※ Poles available: 2-12poles

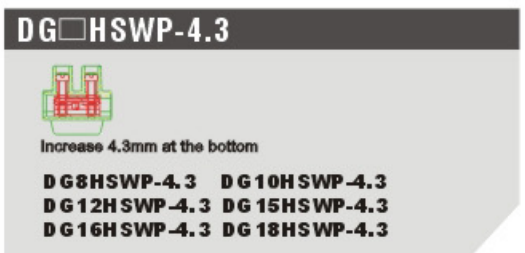
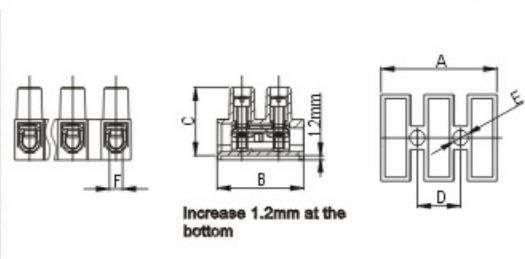
- ※ 塑 件: PP, UL94V-2.
- ※ 载 流 体: 钢, 镀三价铬钝化彩锌
- ※ 螺 丝: 钢, 镀三价铬钝化彩锌
- ※ 簧 片: 磷青铜
- ※ 环 境 温 度: -40°C~T80°C
- ※ 极 数: 2-12线



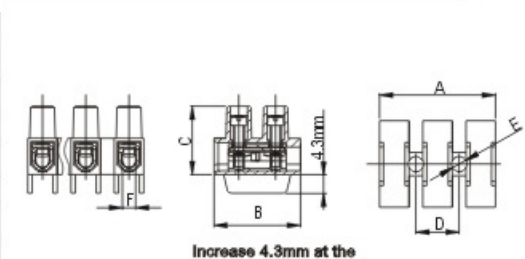
型号 Model	线径(mm) Wire range	IEC技术参数 (datasheet)		UI技术参数 (datasheet)		尺寸 Dimensions(mm/in.)						
		电流(A) Rated current	电压(V) Rated voltage	电流(A) Rated current	电压(V) Rated voltage	Unit	A	B	C	D	E	F
DG8HWP-0	0.5-2.5mm ²	24A	450V	15A	300V	(mm)	96.05	17.80	14.30	8.20	±3.00	2.90*2.30
DG10HWP-0	0.5-4.0mm ²	32A	450V	20A	300V	(mm)	116.70	20.00	15.60	10.00	±3.50	3.45*2.70
DG12HWP-0	2.5-6.0mm ²	41A	750V	30A	300V	(mm)	134.30	23.40	17.80	11.50	±3.70	4.25*3.30
DG15HWP-0	6.0-10.0mm ²	57A	750V	50A	300V	(mm)	174.80	25.20	21.80	15.00	±5.20	5.50*4.50
DG16HWP-0	10.0-16.0mm ²	76A	750V	65A	300V	(mm)	188.00	30.00	26.50	16.00	±4.00	7.00*5.50
DG18HWP-0	16.0-25.0mm ²	101A	750V	85A	600V	(mm)	212.10	36.50	28.50	18.00	±4.00	8.10*6.80



型号 Model	线径(mm) Wire range	IEC技术参数 (datasheet)		UI技术参数 (datasheet)		尺寸 Dimensions(mm/in.)						
		电流(A) Rated current	电压(V) Rated voltage	电流(A) Rated current	电压(V) Rated voltage	Unit	A	B	C	D	E	F
DG8HWP-1.2	0.5-2.5mm ²	24A	450V	15A	300V	(mm)	96.05	17.80	15.50	8.20	±3.00	2.90*2.30
DG10HWP-1.2	0.5-4.0mm ²	32A	450V	20A	300V	(mm)	116.70	20.00	16.80	10.00	±3.50	3.45*2.70
DG12HWP-1.2	2.5-6.0mm ²	41A	750V	30A	300V	(mm)	134.30	23.40	19.00	11.50	±3.70	4.25*3.30
DG15HWP-1.2	6.0-10.0mm ²	57A	750V	50A	300V	(mm)	174.80	25.20	23.00	15.00	±5.20	5.50*4.50
DG16HWP-1.2	10.0-16.0mm ²	76A	750V	65A	300V	(mm)	188.00	30.00	27.70	16.00	±4.00	7.00*5.50
DG18HWP-1.2	16.0-25.0mm ²	101A	750V	85A	600V	(mm)	212.10	36.50	29.70	18.00	±4.00	8.10*6.80



型号 Model	线径(mm) Wire range	IEC技术参数 (datasheet)		UI技术参数 (datasheet)		尺寸 Dimensions(mm/in.)						
		电流(A) Rated current	电压(V) Rated voltage	电流(A) Rated current	电压(V) Rated voltage	Unit	A	B	C	D	E	F
DG8HWP-4.3	0.5-2.5mm ²	24A	450V	15A	300V	(mm)	96.05	17.80	18.60	8.20	±3.00	2.90*2.30
DG10HWP-4.3	0.5-4.0mm ²	32A	450V	20A	300V	(mm)	116.70	20.00	19.90	10.00	±3.50	3.45*2.70
DG12HWP-4.3	2.5-6.0mm ²	41A	750V	30A	300V	(mm)	134.30	23.40	22.10	11.50	±3.70	4.25*3.30
DG15HWP-4.3	6.0-10.0mm ²	57A	750V	50A	300V	(mm)	174.80	25.20	26.10	15.00	±5.20	5.50*4.50
DG16HWP-4.3	10.0-16.0mm ²	76A	750V	65A	300V	(mm)	188.00	30.00	30.80	16.00	±4.00	7.00*5.50
DG18HWP-4.3	16.0-25.0mm ²	101A	750V	85A	600V	(mm)	212.10	36.50	32.80	18.00	±4.00	8.10*6.80



DG□US (PP, T80°C)



- ※ Housing material: PP, UL94V-2.
- ※ Current carrier: Steel, Cr²⁺ Zn plated.
- ※ Screws: Steel, Cr²⁺ Zn plated.
- ※ Ambient temperature: -40°C~T80°C.
- ※ Poles available: 12 poles

- ※ 塑 件: PP, UL94V-2.
- ※ 载流体: 钢, 镀三价铬钝化彩锌
- ※ 螺 丝: 钢, 镀三价铬钝化彩锌
- ※ 环境温度: -40°C~T80°C
- ※ 极 数: 12线



DG□US

DG8US DG10US
DG12US DG15US

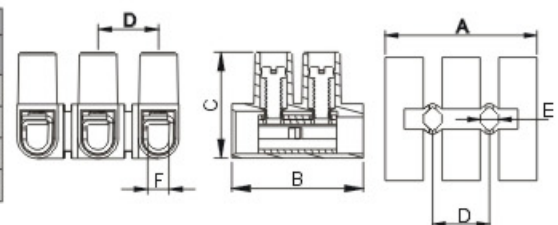
ADVANTAGE

- ※ The main material of current carrier is steel with strengthened resistance, better torque.
- ※ The product is in accordance with IEC standard.
- ※ Capability of connection from 0.5mm²-16mm², chosen freely.
- ※ Special design of easy to break slot easier and more convenient to operate.

产品的优点

- ※ 压线框的基材为钢材, 强度高, 扭力更好
- ※ 产品性能符合IEC标准要求
- ※ 接线容量从0.5mm²-16mm², 可以自由选择
- ※ 特殊的“易断槽”设计, 操作更灵活, 方便

型号 Model	线径(mm) Wire range	IEC技术参数(datasheet)		UI技术参数(datasheet)		尺寸 Dimensions(mm/in.)						
		电流(A) Rated current	电压(V) Rated voltage	电流(A) Rated current	电压(V) Rated voltage	Unit	A	B	C	D	E	F
DG8US	0.5-4mm ²	32A	450V	15A	300V	(mm)	95.70	17.80	14.15	8.20	±2.65	2.90*3.40
DG10US	1.0-6.0mm ²	41A	450V	20A	300V	(mm)	116.30	20.00	15.55	10.00	±3.40	3.45*4.00
DG12US	2.5-10.0mm ²	57A	750V	30A	600V	(mm)	134.30	23.40	17.65	11.50	±3.40	4.25*4.70
DG15US	6.0-16.0mm ²	76A	750V	50A	600V	(mm)	174.80	25.20	21.35	15.00	±4.90	5.50*6.00

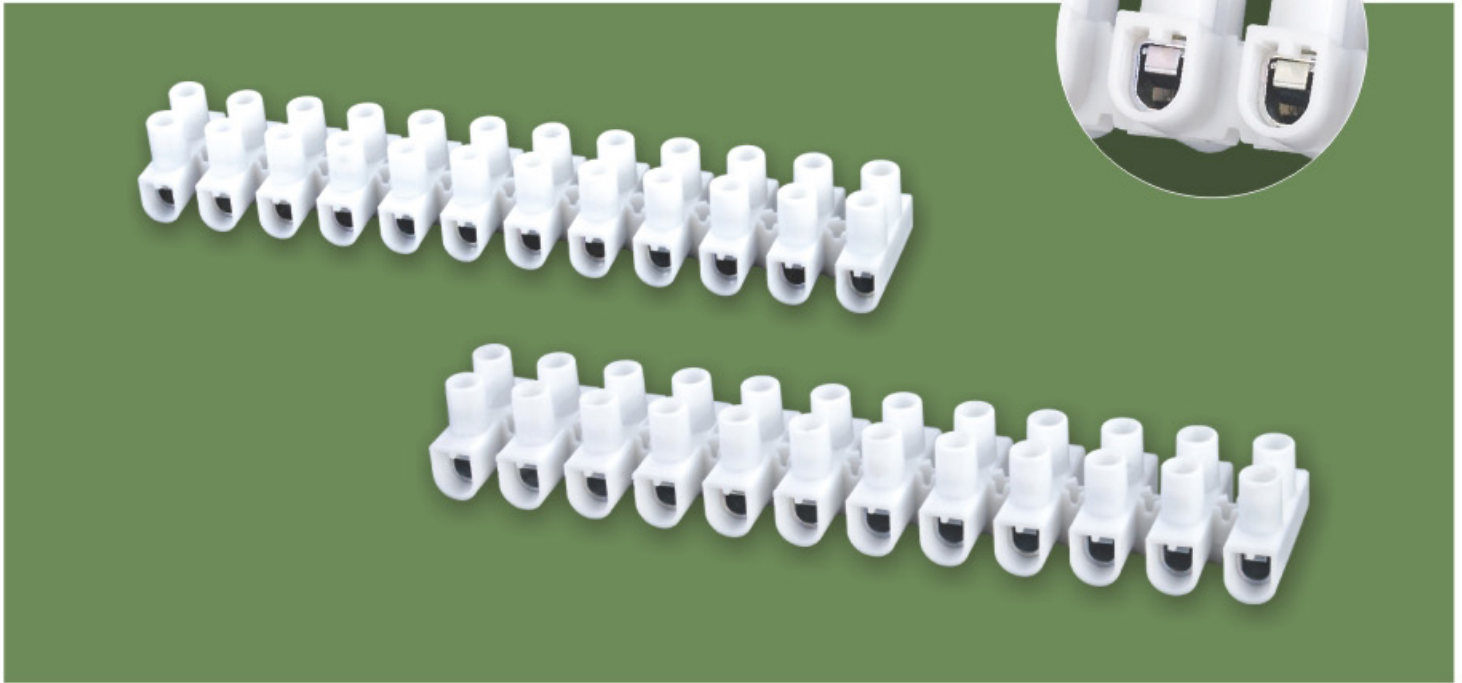


DG□USWP (PP, T80°C ,With Wire Protector)

CE SGS RoHS

- ※ Housing material : PP, UL94V-2.
- ※ Current carrier: Steel, Cr³⁺ Zn plated.
- ※ Screws: Steel, Cr³⁺ Zn plated.
- ※ Wire guard: Phosphor bronze.
- ※ Ambient temperature: -40°C~T80°C.
- ※ Poles available: 12poles

- ※ 塑 件: PP, UL94V-2.
- ※ 载流体: 钢, 镀三价铬钝化彩锌
- ※ 螺 丝: 钢, 镀三价铬钝化彩锌
- ※ 簧 片: 磷青铜
- ※ 环 境 温 度: -40°C~T80°C
- ※ 极 数: 12线



DG□USWP

DG8USWP DG10USWP
DG12USWP DG15USWP

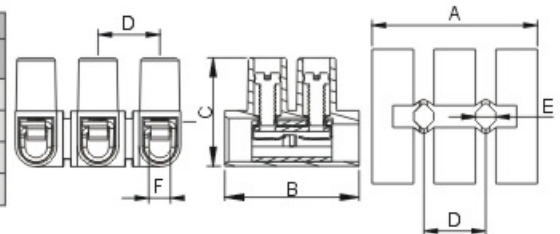
ADVANTAGE

- ※ The main material of current carrier is steel with strengthened resistance, better torque.
- ※ The product is in accordance with IEC standard.
- ※ Capability of connection from 0.5mm²-10mm², chosen freely.
- ※ Special design of easy to break slot easier and more convenient to operate.

产品的优点

- ※ 压线框的基材为钢材，强度高，扭力更好
- ※ 产品性能符合IEC标准要求
- ※ 接线容量从0.5mm²-10mm²，可以自由选择
- ※ 特殊的“易断槽”设计，操作更灵活，方便

型号 Model	线径(mm) Wire range	IEC技术参数(datasheet)		UI技术参数(datasheet)		尺寸 Dimensions(mm/in.)						
		电流(A) Rated current	电压(V) Rated voltage	电流(A) Rated current	电压(V) Rated voltage	Unit	A	B	C	D	E	F
DG8USWP	0.5- 2.5mm ²	24A	450V	15A	300V	(mm)	95.70	17.80	14.15	8.20	φ2.65	2.90 *2.30
DG10USWP	0.5- 4.0mm ²	32A	450V	20A	300V	(mm)	116.30	20.00	15.55	10.00	φ3.40	3.45 *2.70
DG12USWP	2.5- 6.0mm ²	41A	750V	30A	600V	(mm)	134.30	23.40	17.65	11.50	φ3.40	4.25 *3.30
DG15USWP	6.0- 10.0mm ²	57A	750V	50A	600V	(mm)	174.80	25.20	21.35	15.00	φ4.90	5.50 *4.50



DG□T (PC, T85°C)

 **CE SGS RoHS**

- ※ Housing material : PC, UL94V-2
- ※ Current carrier: Steel, Cr³⁺ Zn plated.
- ※ Cr³⁺ Zn plated.
- ※ Screws: Steel, Cr³⁺ Zn plated.
- ※ Ambient temperature: -40°C~T85°C
- ※ Poles available: 10 poles

- ※ 塑 件: PC, UL94V-2
- ※ 载流体: 钢, 镀三价铬钝化彩锌
- ※ 螺 丝: 钢, 镀三价铬钝化彩锌
- ※ 环境温度: -40°C~T85°C
- ※ 极 数: 10线



DG□T

DG1.5T DG2.5T DG4T
DG6T DG10T DG16T
DG25T DG35T

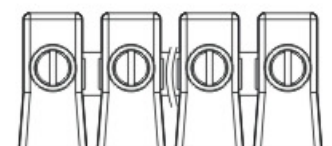
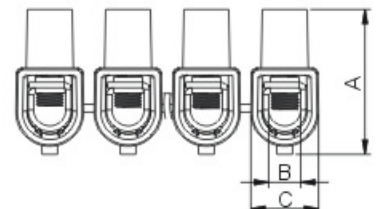
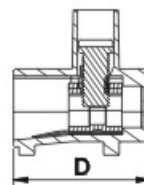
ADVANTAGE

- ※ The main material of current carrier is steel with strengthened resistance , better torque
- ※ The product is in accordance with IEC standard
- ※ Capability of connection from 1.5mm²-35mm², chosen freely
- ※ New-style multiple material technologies , patented product

产品的优点

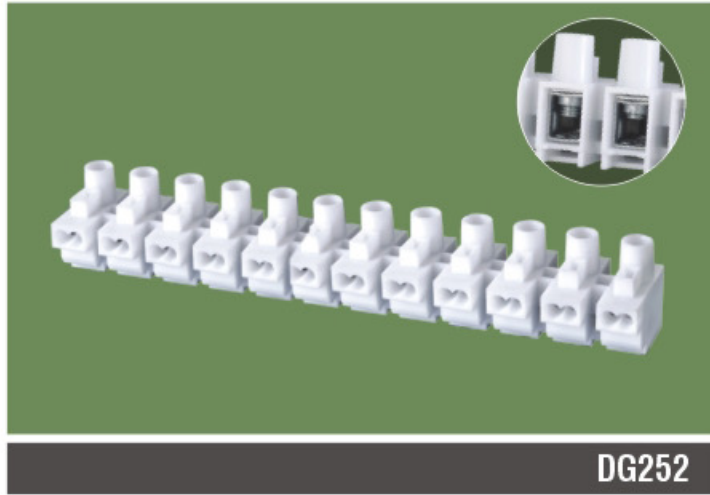
- ※ 压线框的基材为钢材，强度高，扭力更好
- ※ 产品性能符合IEC标准要求
- ※ 接线容量从 1.5mm²-35mm²，可以自由选择
- ※ 新型复合材料技术，专利产品

型号 Model	线径(mm) Wire range	IEC技术参数 (datasheet)		UI技术参数 (datasheet)		尺寸 Dimensions(mm/in.)				
		电流(A) Rated current	电压(V) Rated voltage	电流(A) Rated current	电压(V) Rated voltage	Unit	A	B	C	D
DG1.5T	2x1.5 mm ²	17.5A	450V	15A	300V	(mm)	16.0	3.3*3.5	10.0	15.0
DG2.5T	2x2.5 mm ²	24.0A	450V	20A	300V	(mm)	18.5	4.1*4.2	8.7	17.6
DG4T	2x4.0 mm ²	32.0A	450V	30A	300V	(mm)	20.0	4.7*4.9	9.8	19.3
DG6T	2x6.0 mm ²	41.0A	450V	30A	300V	(mm)	24.4	5.8*6.0	11.8	22.5
DG10T	2x10.0 mm ²	57.0A	450V	50A	600V	(mm)	29.8	7.5*7.7	14.8	26.0
DG16T	2x16.0 mm ²	76.0A	450V	65A	600V	(mm)	34.2	9.5*9.7	19.8	31.0
DG25T	2x25.0 mm ²	101.0A	450V	85A	600V	(mm)	40.0	12.0*12.2	22.0	38.0
DG35T	2x35.0 mm ²	125.0A	450V	100A	600V	(mm)	43.0	14.0*14.2	24.8	46.0



DG252 (PA66, T110°C)

CE SGS RoHS



DG252

APPROVAL :  In the course of VDE application

Electrical	UL	IEC
Standard	300V	450V
Rated voltage	10A	17.5A
Rated current	22-16AWG	1.5mm ²
Wire range	Withstanding voltage: AC2500V/1Min	

Mechanical

Torque	0.8Nm(7.0Lb-In.)	
Ambient temperature	-40°C~T110°C	
Strip length	7-7.5mm	

Dimensions

Pitch	10.0mm(.394")	
Poles	2P~12P	

Material

Housing	PA66, UL94V-2	
Screws	M3.5, steel, Cr ⁺ Zn plated	
Current carrier	Steel, Cr ⁺ Zn plated	
Wire guard	Stainless steel	

电气性能

参考标准	UL	IEC
额定电压	300V	450V
额定电流	10A	17.5A
导线线径	22-16AWG 1.5mm ²	
耐电压	AC2500V/1Min	

机械性能

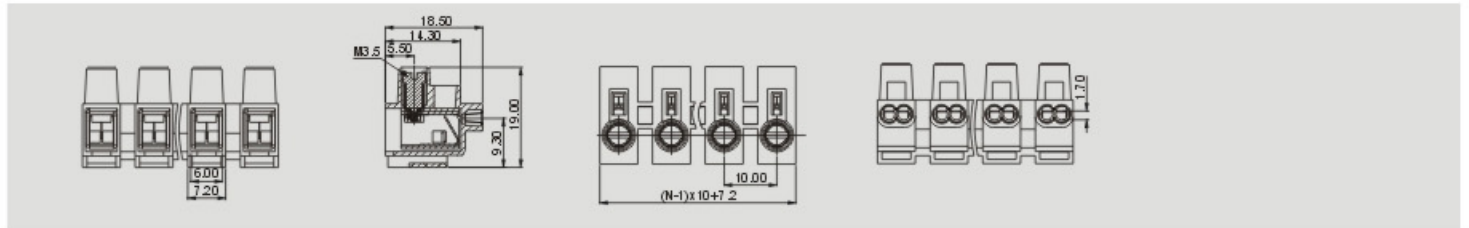
扭力矩	0.8Nm(7.0Lb-In.)	
环境温度	-40°C~T110°C	
剥线长度	7-7.5mm	

尺寸

间距	10.0mm(.394")	
级数	2P~12P	

材质和电镀

塑件	PA66, UL94V-2	
螺丝	M3.5, 钢, 镀Cr ⁺ 钝化彩锌	
载流体	钢, 镀Cr ⁺ 钝化彩锌	
弹片	不锈钢	




UL US CE SGS RoHS

DG801 (PA66, T110°C)



DG801

APPROVAL :  In the course of VDE application

Electrical	UL	IEC
Standard	300V	450V
Rated voltage	6.3A	6.3A
Rated current	22-14AWG	0.5-2.5mm ²
Wire range	Withstanding voltage: AC2500V/1Min	

Mechanical

Torque	0.5Nm(4.5Lb-In.)	
Ambient temperature	-40°C~T110°C	
Strip length	6-7mm	

Dimensions

Pitch	10.0mm(.394")	
Poles	1P~5P	

Material

Housing	PA66, UL94V-0	
Screws	M3, steel, Cr ⁺ Zn plated	
Cage	Brass, Ni plated	
Contact	Phosphor bronze, Ni plated	
Wire guard	Stainless steel	

电气性能

参考标准	UL	IEC
额定电压	300V	450V
额定电流	6.3A	6.3A
导线线径	22-14AWG 0.5-2.5mm ²	
耐电压	AC2500V/1Min	

机械性能

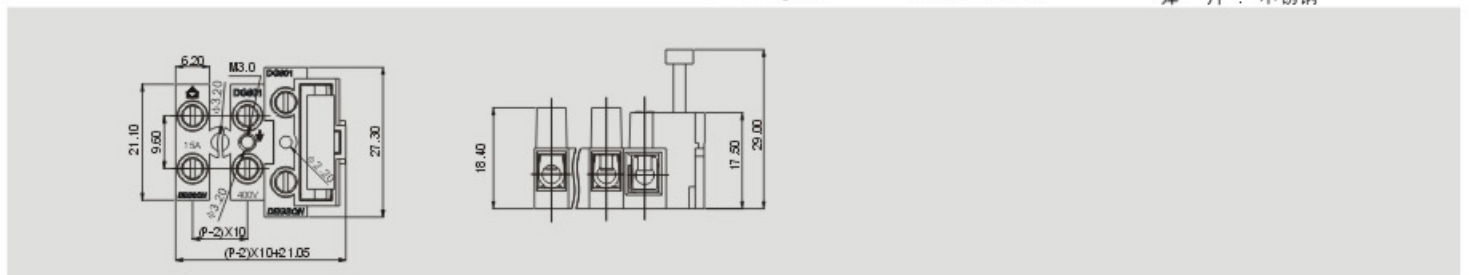
扭力矩	0.5Nm(4.5Lb-In.)	
环境温度	-40°C~T110°C	
剥线长度	6-7mm	

尺寸

间距	10.0mm(.394")	
级数	1P~5P	

材质和电镀

塑件	PA66, UL94V-0	
螺丝	M3, 钢, 镀Cr ⁺ 钝化彩锌	
方盒	黄铜, 镀镍	
夹子	磷青铜, 镀镍	
弹片	不锈钢	



DG□H (PA66, T110°C)


UL US DVE CE CCC SGS RoHS

- ※ Housing material: PA66, UL94V-2
- ※ Current carrier: Alloy, Ni plated
- ※ Screws: Steel, Cr²⁺ Zn plated
- ※ Ambient temperature: -40°C~T110°C
- ※ Poles available: 2-12 poles

- ※ 塑件: 尼龙66, UL94V-2
- ※ 载流体: 合金, 镀镍.
- ※ 螺丝: 钢, 镀三价铬钝化彩锌
- ※ 环境温度: -40°C~T110°C
- ※ 极数: 2-12线



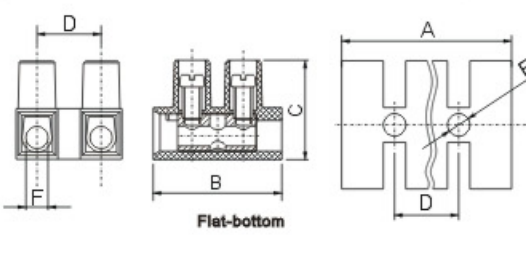
DG□H-0




Flat-bottom

DG8H-0 DG10H-0
DG12H-0 DG15H-0
DG16H-0 DG18H-0

型号 Model	线径(mm) Wire range	IEC技术参数(datasheet)		UI技术参数(datasheet)		尺寸 Dimensions(mm/in.)						
		电流(A) Rated current	电压(V) Rated voltage	电流(A) Rated current	电压(V) Rated voltage	Unit	A	B	C	D	E	F
DG8H-0	1.5mm ²	17.5A	450V	15A	300V	(mm)	96.05	17.80	14.30	8.20	±3.00	2.80
DG10H-0	2.5mm ²	24A	450V	20A	300V	(mm)	116.70	20.00	15.70	10.00	±3.50	3.30
DG12H-0	6.0mm ²	41A	750V	30A	300V	(mm)	140.70	23.80	17.80	12.00	±3.90	3.90
DG14H-0	10.0mm ²	57A	750V	50A	300V	(mm)	158.00	25.60	24.00	13.50	±4.40	4.80
DG16H-0	16.0mm ²	76A	750V	65A	300V	(mm)	169.80	28.00	21.80	14.50	±4.20	6.00
DG18H-0	25.0mm ²	101A	750V	85A	600V	(mm)	194.40	36.90	27.50	16.50	±4.20	7.50



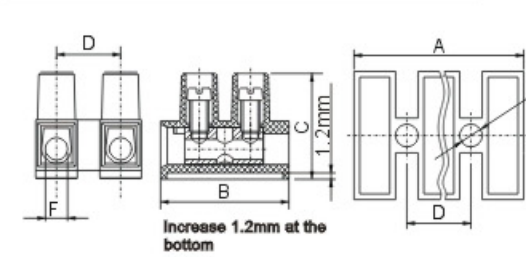
DG□H-1.2




Increase 1.2mm at the bottom

DG8H-1.2 DG10H-1.2
DG12H-1.2 DG15H-1.2
DG16H-1.2 DG18H-1.2

型号 Model	线径(mm) Wire range	IEC技术参数(datasheet)		UI技术参数(datasheet)		尺寸 Dimensions(mm/in.)						
		电流(A) Rated current	电压(V) Rated voltage	电流(A) Rated current	电压(V) Rated voltage	Unit	A	B	C	D	E	F
DG8H-1.2	1.5mm ²	17.5A	300V	15A	300V	(mm)	96.00	17.80	15.50	8.20	±3.00	2.80
DG10H-1.2	2.5mm ²	24A	300V	20A	300V	(mm)	116.70	20.00	16.90	10.00	±3.50	3.30
DG12H-1.2	6.0mm ²	41A	300V	30A	300V	(mm)	140.70	23.80	19.00	12.00	±3.90	3.90
DG14H-1.2	10.0mm ²	57A	300V	50A	300V	(mm)	158.00	25.60	25.20	13.50	±4.40	4.80
DG16H-1.2	16.0mm ²	76A	300V	65A	300V	(mm)	169.80	28.00	23.00	14.50	±4.20	6.00
DG18H-1.2	25.0mm ²	101A	600V	85A	600V	(mm)	194.40	36.90	28.70	16.50	±4.20	7.50



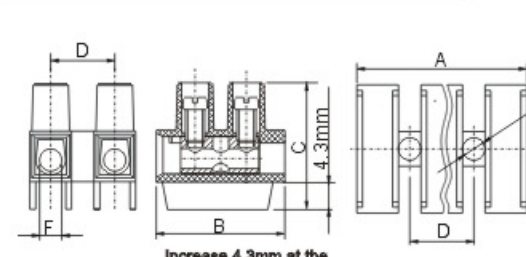
DG□H-4.3



Increase 4.3mm at the bottom

DG8H-4.3 DG10H-4.3
DG12H-4.3 DG15H-4.3
DG16H-4.3 DG18H-4.3

型号 Model	线径(mm) Wire range	IEC技术参数(datasheet)		UI技术参数(datasheet)		尺寸 Dimensions(mm/in.)						
		电流(A) Rated current	电压(V) Rated voltage	电流(A) Rated current	电压(V) Rated voltage	Unit	A	B	C	D	E	F
DG8H-4.3	1.5mm ²	17.5A	450V	15A	300V	(mm)	96.00	17.80	18.60	8.20	±3.00	2.80
DG10H-4.3	2.5mm ²	24A	450V	20A	300V	(mm)	116.70	20.00	20.00	10.00	±3.50	3.30
DG12H-4.3	6.0mm ²	41A	750V	30A	300V	(mm)	140.70	23.80	22.10	12.00	±3.90	3.90
DG15H-4.3	10.0mm ²	57A	750V	50A	300V	(mm)	158.00	25.60	28.30	13.50	±4.40	4.80
DG16H-4.3	16.0mm ²	76A	750V	65A	300V	(mm)	169.80	28.00	26.10	14.50	±4.20	6.00
DG18H-4.3	25.0mm ²	101A	750V	85A	600V	(mm)	194.40	36.90	31.80	16.50	±4.20	7.50



DG□HWP (PA66, T110°C, With Wire Protector)




- ※ Housing material: PA66, UL94V-2
- ※ Current carrier: Alloy, Ni plated
- ※ Screws: Steel, Cr⁺ Zn plated
- ※ Wire guard: Stainless steel
- ※ Ambient temperature: -40°C~T110°C
- ※ Poles available: 2-12poles

- ※ 塑件: 尼龙66, UL94V-2
- ※ 载流体: 合金, 镀镍
- ※ 螺丝: 钢, 镀三价铬钝化彩锌
- ※ 簧片: 不锈钢
- ※ 环境温度: -40°C~T110°C
- ※ 极数: 2-12线



型号 Model	线径(mm) Wire range	IEC技术参数(datasheet)		UL技术参数(datasheet)		尺寸 Dimensions(mm/in.)						
		电流(A) Rated current	电压(V) Rated voltage	电流(A) Rated current	电压(V) Rated voltage	Unit	A	B	C	D	E	F
DG8HWP-0	1.5mm ²	17.5A	450V	15A	300V	(mm)	96.00	17.80	14.30	8.20	±3.00	2.80
DG10HWP-0	2.5mm ²	24A	450V	20A	300V	(mm)	116.70	20.00	15.70	10.00	±3.50	3.30
DG12HWP-0	6.0mm ²	41A	750V	30A	300V	(mm)	140.70	23.80	17.80	12.00	±3.90	3.90
DG14HWP-0	10.0mm ²	57A	750V	50A	300V	(mm)	158.00	25.60	24.00	13.50	±4.40	4.80
DG16HWP-0	16.0mm ²	76A	750V	65A	300V	(mm)	169.80	28.00	21.80	14.50	±4.20	6.00
DG18HWP-0	25.0mm ²	101A	750V	85A	600V	(mm)	194.40	36.90	27.50	16.50	±4.20	7.50

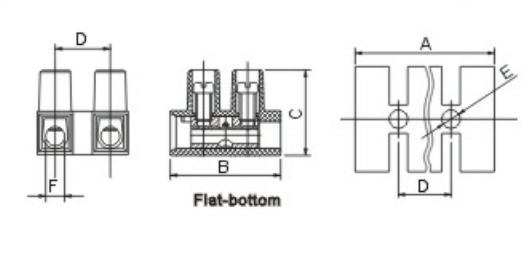
DG□HWP-0



Wire Protector

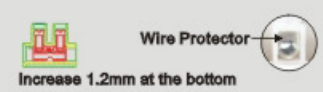
Flat-bottom

DG8HWP-0 DG10HWP-0
DG12HWP-0 DG15HWP-0
DG16HWP-0 DG18HWP-0



型号 Model	线径(mm) Wire range	IEC技术参数(datasheet)		UL技术参数(datasheet)		尺寸 Dimensions(mm/in.)						
		电流(A) Rated current	电压(V) Rated voltage	电流(A) Rated current	电压(V) Rated voltage	Unit	A	B	C	D	E	F
DG8HWP-1.2	1.5mm ²	17.5A	450V	15A	300V	(mm)	96.00	17.80	15.50	8.20	±3.00	2.80
DG10HWP-1.2	2.5mm ²	24A	450V	20A	300V	(mm)	116.70	20.00	16.90	10.00	±3.50	3.30
DG12HWP-1.2	6.0mm ²	41A	750V	30A	300V	(mm)	140.70	23.80	19.00	12.00	±3.90	3.90
DG14HWP-1.2	10.0mm ²	57A	750V	50A	300V	(mm)	158.00	25.60	25.20	13.50	±4.40	4.80
DG16HWP-1.2	16.0mm ²	76A	750V	65A	300V	(mm)	169.80	28.00	23.00	14.50	±4.20	6.00
DG18HWP-1.2	25.0mm ²	101A	750V	85A	600V	(mm)	194.40	36.90	28.70	16.50	±4.20	7.50

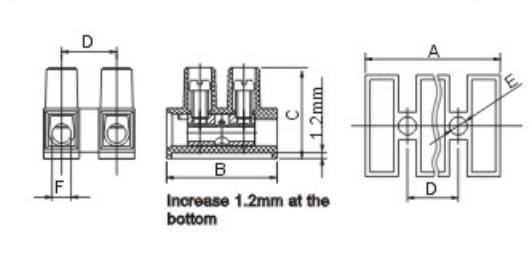
DG□HWP-1.2



Wire Protector

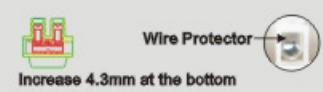
Increase 1.2mm at the bottom

DG8HWP-1.2 DG10HWP-1.2
DG12HWP-1.2 DG15HWP-1.2
DG16HWP-1.2 DG18HWP-1.2



型号 Model	线径(mm) Wire range	IEC技术参数(datasheet)		UL技术参数(datasheet)		尺寸 Dimensions(mm/in.)						
		电流(A) Rated current	电压(V) Rated voltage	电流(A) Rated current	电压(V) Rated voltage	Unit	A	B	C	D	E	F
DG8HWP-4.3	1.5mm ²	17.5A	450V	15A	300V	(mm)	96.00	17.80	18.60	8.20	±3.00	2.80
DG10HWP-4.3	2.5mm ²	24A	450V	20A	300V	(mm)	116.70	20.00	20.00	10.00	±3.50	3.30
DG12HWP-4.3	6.0mm ²	41A	750V	30A	300V	(mm)	140.70	23.80	22.10	12.00	±3.90	3.90
DG14HWP-4.3	10.0mm ²	57A	750V	50A	300V	(mm)	158.00	25.60	28.30	13.50	±4.40	4.80
DG16HWP-4.3	16.0mm ²	76A	750V	65A	300V	(mm)	169.80	28.00	26.10	14.50	±4.20	6.00
DG18HWP-4.3	25.0mm ²	101A	750V	85A	600V	(mm)	194.40	36.90	31.80	16.50	±4.20	7.50

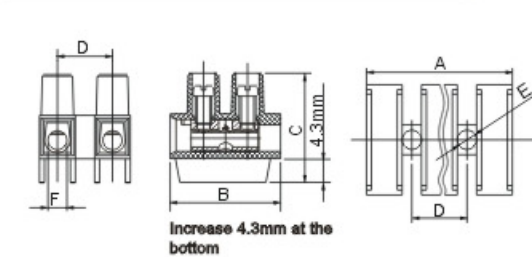
DG□HWP-4.3



Wire Protector

Increase 4.3mm at the bottom

DG8HWP-4.3 DG10HWP-4.3
DG12HWP-4.3 DG15HWP-4.3
DG16HWP-4.3 DG18HWP-4.3



DG□HP (PA66, T110°C)

UL US CE SGS RoHS

- ※ Housing material: PA66, UL94V-2
- ※ Current carrier: Brass, Ni plated
- ※ Screws: Steel, Cr⁺ Zn plated
- ※ Wire guard: Stainless steel
- ※ Ambient temperature: -40°C~T110°C
- ※ Poles available: 2-12 poles

- ※ 塑件: 尼龙66, UL94V-2.
- ※ 载流体: 黄铜, 镀镍.
- ※ 螺丝: 钢, 镀三价铬钝化彩锌
- ※ 簧片: 不锈钢.
- ※ 环境温度: -40°C~T110°C
- ※ 极数: 2-12线



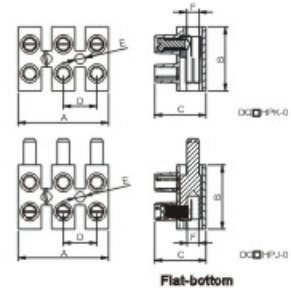
型号 Model	线径(mm) Wire range	IEC技术参数 (datasheet)		UI技术参数 (datasheet)		尺寸 Dimensions(mm/in.)						
		电流(A) Rated current	电压(V) Rated voltage	电流(A) Rated current	电压(V) Rated voltage	Unit	A	B	C	D	E	F
DG8HP-0	1.5mm ²	17.5A	450V	15A	300V	(mm)	96.00	17.80	14.30	8.20	±3.00	2.80
DG10HP-0	2.5mm ²	24A	450V	20A	300V	(mm)	116.70	20.00	15.70	10.00	±3.50	3.30
DG12HP-0	6.0mm ²	41A	750V	30A	300V	(mm)	140.70	23.80	17.80	12.00	±3.90	3.90
DG14HP-0	10.0mm ²	57A	750V	50A	300V	(mm)	158.00	25.60	24.00	13.50	±4.40	4.80
DG16HP-0	16.0mm ²	76A	750V	65A	300V	(mm)	169.80	28.00	21.80	14.50	±4.20	6.00
DG18HP-0	25.0mm ²	101A	1000V	85A	600V	(mm)	194.40	36.90	27.50	16.50	±4.20	7.50

DG□HP-0



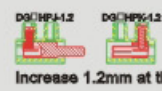
Flat-bottom

**DG8HP-0 DG10HP-0
DG12HP-0 DG14HP-0
DG16HP-0 DG18HP-0**



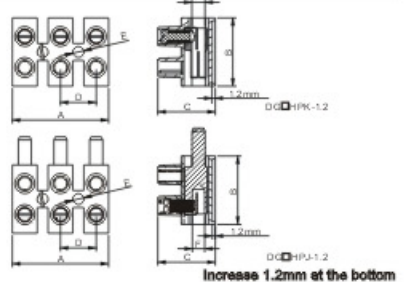
型号 Model	线径(mm) Wire range	IEC技术参数 (datasheet)		UI技术参数 (datasheet)		尺寸 Dimensions(mm/in.)						
		电流(A) Rated current	电压(V) Rated voltage	电流(A) Rated current	电压(V) Rated voltage	Unit	A	B	C	D	E	F
DG8HP-1.2	1.5mm ²	17.5A	450V	15A	300V	(mm)	96.00	17.80	15.50	8.20	±3.00	2.80
DG10HP-1.2	2.5mm ²	24A	450V	20A	300V	(mm)	116.70	20.00	16.90	10.00	±3.50	3.30
DG12HP-1.2	6.0mm ²	41A	750V	30A	300V	(mm)	140.70	23.80	19.00	12.00	±3.90	3.90
DG14HP-1.2	10.0mm ²	57A	750V	50A	300V	(mm)	158.00	25.60	25.20	13.50	±4.40	4.80
DG16HP-1.2	16.0mm ²	76A	750V	65A	300V	(mm)	169.80	28.00	23.00	14.50	±4.20	6.00
DG18HP-1.2	25.0mm ²	101A	750V	85A	600V	(mm)	194.40	36.90	28.70	16.50	±4.20	7.50

DG□HP-1.2




Increase 1.2mm at the bottom

**DG8HP-1.2 DG10HP-1.2
DG12HP-1.2 DG14HP-1.2
DG16HP-1.2 DG18HP-1.2**



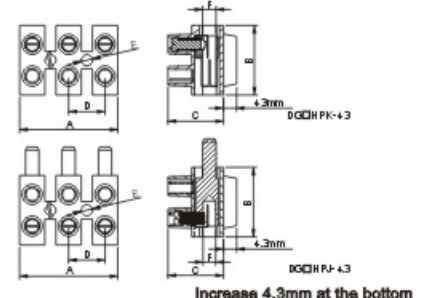
型号 Model	线径(mm) Wire range	IEC技术参数 (datasheet)		UI技术参数 (datasheet)		尺寸 Dimensions(mm/in.)						
		电流(A) Rated current	电压(V) Rated voltage	电流(A) Rated current	电压(V) Rated voltage	Unit	A	B	C	D	E	F
DG8HP-4.3	1.5mm ²	17.5A	450V	15A	300V	(mm)	96.00	17.80	18.60	8.20	±3.00	2.80
DG10HP-4.3	2.5mm ²	24A	450V	20A	300V	(mm)	116.70	20.00	20.00	10.00	±3.50	3.30
DG12HP-4.3	6.0mm ²	41A	750V	30A	300V	(mm)	140.70	23.80	22.10	12.00	±3.90	3.90
DG15HP-4.3	10.0mm ²	57A	750V	50A	300V	(mm)	158.00	25.60	28.30	13.50	±4.40	4.80
DG16HP-4.3	16.0mm ²	76A	750V	65A	300V	(mm)	169.80	28.00	26.10	14.50	±4.20	6.00
DG18HP-4.3	25.0mm ²	101A	750V	85A	600V	(mm)	194.40	36.90	31.80	16.50	±4.20	7.50

DG□HP-4.3



Increase 4.3mm at the bottom

**DG8HP-4.3 DG10HP-4.3
DG12HP-4.3 DG14HP-4.3
DG16HP-4.3 DG18HP-4.3**



DG□HS (PA66+25%GF., T140°C)

※ Housing material: PA66+25%GF., UL94V-0
 ※ Current carrier: Cladded copper strips; Cr³⁺ Zn plated
 ※ Screws: Steel, Cr³⁺ Zn plated
 ※ Ambient temperature: -40°C~T140°C
 ※ Poles available: 2-12poles

※ 塑件: 尼龙66+25%GF., UL94V-0
 ※ 载流体: 铁复合铜, 镀三价铬钝化彩锌
 ※ 螺丝: 钢, 镀三价铬钝化彩锌
 ※ 环境温度: -40°C~T140°C
 ※ 极数: 2-12线



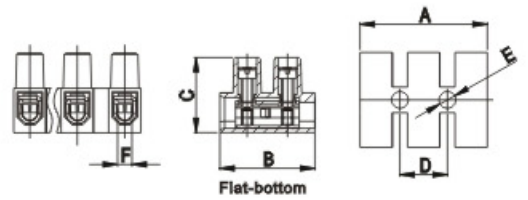
型号 Model	线径(mm) Wire range	IEC技术参数(datasheet)		UI技术参数(datasheet)		尺寸 Dimensions(mm/in.)						
		电流(A) Rated current	电压(V) Rated voltage	电流(A) Rated current	电压(V) Rated voltage	Unit	A	B	C	D	E	F
DG8HS-0	0.5-4.0mm ²	32A	450V	15A	300V	(mm)	96.05	17.80	14.30	8.20	±3.00	2.90*3.40
DG10HS-0	1.0-6.0mm ²	41A	450V	20A	300V	(mm)	116.70	20.00	15.60	10.00	±3.50	3.45*4.00
DG12HS-0	2.5-10.0mm ²	57A	750V	30A	300V	(mm)	134.30	23.40	17.80	11.50	±3.70	4.25*4.70
DG15HS-0	6.0-16.0mm ²	76A	750V	50A	300V	(mm)	174.80	25.20	21.80	15.00	±5.20	5.50*6.00
DG16HS-0	10.0-25.0mm ²	101A	750V	65A	300V	(mm)	188.00	30.00	26.50	16.00	±4.00	7.00*7.50
DG18HS-0	16.0-35.0mm ²	125A	750V	85A	600V	(mm)	212.10	36.50	28.50	18.00	±4.00	8.10*8.60

DG□HS-0



Flat-bottom

DG 8HS-0 DG 10HS-0
DG 12HS-0 DG 15HS-0
DG 16HS-0 DG 18HS-0



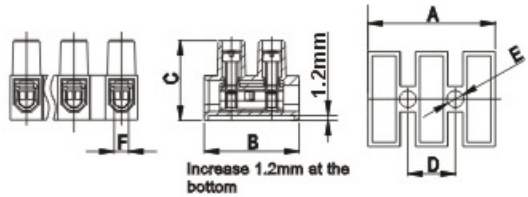
型号 Model	线径(mm) Wire range	IEC技术参数(datasheet)		UI技术参数(datasheet)		尺寸 Dimensions(mm/in.)						
		电流(A) Rated current	电压(V) Rated voltage	电流(A) Rated current	电压(V) Rated voltage	Unit	A	B	C	D	E	F
DG8HS-1.2	0.5-4.0mm ²	32A	450V	15A	300V	(mm)	96.05	17.80	15.50	8.20	±3.00	2.90*3.40
DG10HS-1.2	1.0-6.0mm ²	41A	450V	20A	300V	(mm)	116.70	20.00	16.80	10.00	±3.50	3.45*4.00
DG12HS-1.2	2.5-10.0mm ²	57A	750V	30A	300V	(mm)	134.30	23.40	19.00	11.50	±3.70	4.25*4.70
DG15HS-1.2	6.0-16.0mm ²	76A	750V	50A	300V	(mm)	174.80	25.20	23.00	15.00	±5.20	5.50*6.00
DG16HS-1.2	10.0-25.0mm ²	101A	750V	65A	300V	(mm)	188.00	30.00	27.70	16.00	±4.00	7.00*7.50
DG18HS-1.2	16.0-35.0mm ²	125A	750V	85A	600V	(mm)	212.10	36.50	29.70	18.00	±4.00	8.10*8.60

DG□HS-1.2



Increase 1.2mm at the bottom

DG 8HS-1.2 DG 10HS-1.2
DG 12HS-1.2 DG 15HS-1.2
DG 16HS-1.2 DG 18HS-1.2



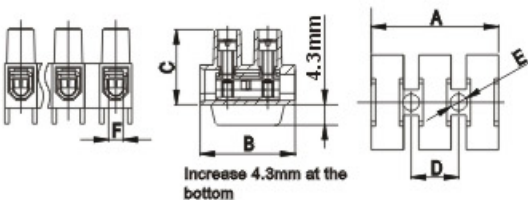
型号 Model	线径(mm) Wire range	IEC技术参数(datasheet)		UI技术参数(datasheet)		尺寸 Dimensions(mm/in.)						
		电流(A) Rated current	电压(V) Rated voltage	电流(A) Rated current	电压(V) Rated voltage	Unit	A	B	C	D	E	F
DG8HS-4.3	0.5-4.0mm ²	32A	450V	15A	300V	(mm)	96.05	17.80	18.60	8.20	±3.00	2.90*3.40
DG10HS-4.3	1.0-6.0mm ²	41A	450V	20A	300V	(mm)	116.70	20.00	19.90	10.00	±3.50	3.45*4.00
DG12HS-4.3	2.5-10.0mm ²	57A	750V	30A	300V	(mm)	134.30	23.40	22.10	11.50	±3.70	4.25*4.70
DG15HS-4.3	6.0-16.0mm ²	76A	750V	50A	300V	(mm)	174.80	25.20	26.10	15.00	±5.20	5.50*6.00
DG16HS-4.3	10.0-25.0mm ²	101A	750V	65A	300V	(mm)	188.00	30.00	30.80	16.00	±4.00	7.00*7.50
DG18HS-4.3	16.0-35.0mm ²	125A	750V	85A	600V	(mm)	212.10	36.50	32.80	18.00	±4.00	8.10*8.60

DG□HS-4.3



Increase 4.3mm at the bottom

DG 8HS-4.3 DG 10HS-4.3
DG 12HS-4.3 DG 15HS-4.3
DG 16HS-4.3 DG 18HS-4.3



DEVE-
LOPING



DG266

DEVE-
LOPING

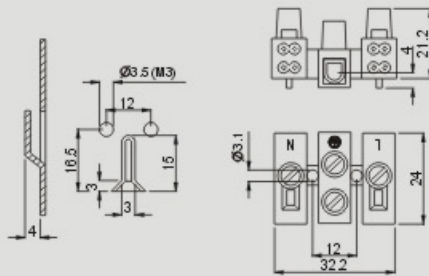


DG266-10A

DEVE-
LOPING



DG268



Pitch: 12mm; Poles: 3P,4P

APPROVAL

※ **Electrical**

Standard	UL	IEC
Rated voltage	300V	400V
Rated current	10A	10A
Wire range	22 -16AWG	1.5 mm ²
Withstanding voltage	AC2500V/1Min	

※ **Mechanical**

Ambient temperature	-40°C ~ +105°C
Strip length	7-8mm

※ **Dimensions**

Pitch	12mm(.472")
Poles	3P,4P

※ **Material**

Housing	PA66,UL94V-0
Current carrier	Steel, Cr ³⁺ Zn plated
Current carrier	Brass
Wire guard	Stainless steel

※ **电气性能**

参考标准	UL	IEC
额定电压	300V	400V
额定电流	10A	10A
导线线径	22 -16AWG	1.5 mm ²
耐电压	AC2500V/1Min	

※ **机械性能**

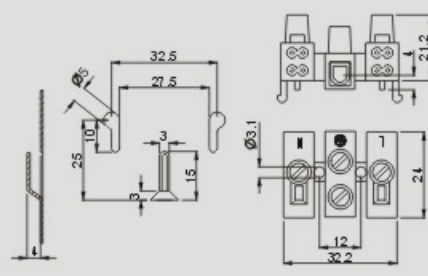
环境温度	-40°C ~ +105°C
剥线长度	7-8mm

※ **尺寸**

间距	12mm(.472")
极数	3P,4P

※ **材质和电镀**

塑件	PA66,UL94V-0
载流体	钢,镀三价铬钝化彩锌
载流体	黄铜
弹片	不锈钢



Pitch: 12mm; Poles: 3P,4P

APPROVAL

※ **Electrical**

Standard	UL	IEC
Rated voltage	300V	400V
Rated current	10A	10A
Wire range	22 -16AWG	1.5 mm ²
Withstanding voltage	AC2500V/1Min	

※ **Mechanical**

Ambient temperature	-40°C ~ +105°C
Strip length	7-8mm

※ **Dimensions**

Pitch	12mm(.472")
Poles	3P,4P

※ **Material**

Housing	PA66,UL94V-0
Current carrier	Steel, Cr ³⁺ Zn plated
Current carrier	Brass
Wire guard	Stainless steel

※ **电气性能**

参考标准	UL	IEC
额定电压	300V	400V
额定电流	10A	10A
导线线径	22 -16AWG	1.5 mm ²
耐电压	AC2500V/1Min	

※ **机械性能**

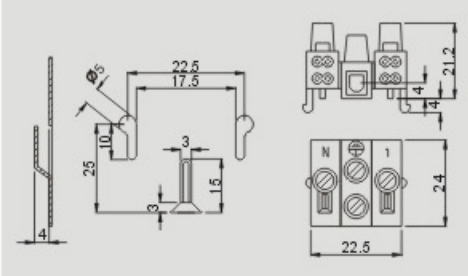
环境温度	-40°C ~ +105°C
剥线长度	7-8mm

※ **尺寸**

间距	12mm(.472")
极数	3P,4P

※ **材质和电镀**

塑件	PA66,UL94V-0
载流体	钢,镀三价铬钝化彩锌
载流体	黄铜
弹片	不锈钢



Pitch: 10mm; Poles: 3P

APPROVAL

※ **Electrical**

Standard	UL	IEC
Rated voltage	300V	400V
Rated current	10A	10A
Wire range	22 -16AWG	1.5 mm ²
Withstanding voltage	AC2500V/1Min	

※ **Mechanical**

Ambient temperature	-40°C ~ +105°C
Strip length	7-8mm

※ **Dimensions**

Pitch	10mm(.394")
Poles	3P

※ **Material**

Housing	PA66,UL94V-0
Current carrier	Steel, Cr ³⁺ Zn plated
Current carrier	Brass
Wire guard	Stainless steel

※ **电气性能**

参考标准	UL	IEC
额定电压	300V	400V
额定电流	10A	10A
导线线径	22 -16AWG	1.5 mm ²
耐电压	AC2500V/1Min	

※ **机械性能**

环境温度	-40°C ~ +105°C
剥线长度	7-8mm

※ **尺寸**

间距	10mm(.394")
极数	3P

※ **材质和电镀**

塑件	PA66,UL94V-0
载流体	钢,镀三价铬钝化彩锌
载流体	黄铜
弹片	不锈钢

DEVE-
LOPING



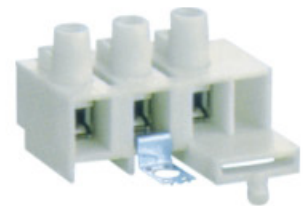
DG271

DEVE-
LOPING

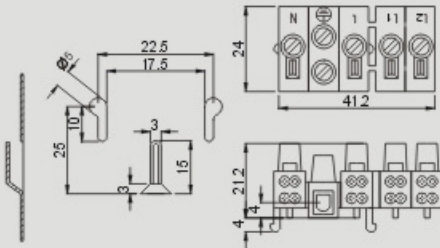


DG273

DEVE-
LOPING



DG274



Pitch: 12mm; Poles: 5P

APPROVAL

Standard	: UL	IEC
Rated voltage	: 300V	400V
Rated current	: 10A	10A
Wire range	: 22 -16AWG	1.5 mm ²
Withstanding voltage	: AC2500V/1Min	

Mechanical

Ambient temperature	: -40°C ~ +105°C
Strip length	: 7-8mm

Dimensions

Pitch	: 12mm (.472")
Poles	: 5P

Material

Housing	: PA66, UL94V-0
Current carrier	: Steel, Cr ⁺ Zn plated
Current carrier	: Brass
Wire guard	: Stainless steel

电气性能

参考标准:	UL	IEC
额定电压:	300V	400V
额定电流:	10A	10A
导线线径:	22 -16AWG	1.5 mm ²
耐电压:	AC2500V/1Min	

机械性能

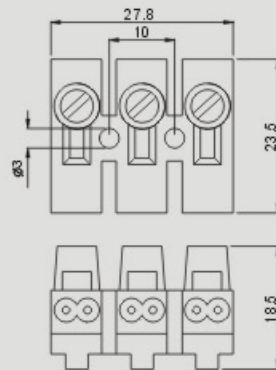
环境温度:	-40°C ~ +105°C
剥线长度:	7-8mm

尺寸

间距:	12mm (.472")
极数:	5P

材质和电镀

塑件:	PA66, UL94V-0
载流体:	钢, 镀三价铬钝化彩锌
载流体:	黄铜
弹片:	不锈钢



Pitch: 10mm; Poles: 2P, 3P

APPROVAL

Standard	: UL	IEC
Rated voltage	: 300V	400V
Rated current	: 10A	10A
Wire range	: 22 -16AWG	1.5 mm ²
Withstanding voltage	: AC2500V/1Min	

Mechanical

Ambient temperature	: -40°C ~ +105°C
Strip length	: 7-8mm

Dimensions

Pitch	: 10mm (.394")
Poles	: 2P, 3P

Material

Housing	: PA66, UL94V-0
Current carrier	: Steel, Cr ⁺ Zn plated
Wire guard	: Stainless steel

电气性能

参考标准:	UL	IEC
额定电压:	300V	400V
额定电流:	10A	10A
导线线径:	22 -16AWG	1.5 mm ²
耐电压:	AC2500V/1Min	

机械性能

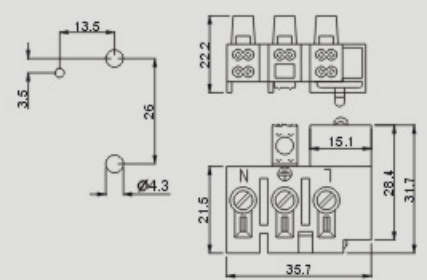
环境温度:	-40°C ~ +105°C
剥线长度:	7-8mm

尺寸

间距:	10mm (.394")
极数:	2P, 3P

材质和电镀

塑件:	PA66, UL94V-0
载流体:	钢, 镀三价铬钝化彩锌
载流体:	黄铜
弹片:	不锈钢



Pitch: 10mm; Poles: 3P

APPROVAL

Standard	: UL	IEC
Rated voltage	: 300V	400V
Rated current	: 10A	10A
Wire range	: 22 -16AWG	1.5 mm ²
Withstanding voltage	: AC2500V/1Min	

Mechanical

Ambient temperature	: -40°C ~ +105°C
Strip length	: 7-8mm

Dimensions

Pitch	: 10mm (.394")
Poles	: 3P

Material

Housing	: PA66, UL94V-0
Current carrier	: Steel, Cr ⁺ Zn plated
Current carrier	: Brass
Wire guard	: Stainless steel

电气性能

参考标准:	UL	IEC
额定电压:	300V	400V
额定电流:	10A	10A
导线线径:	22 -16AWG	1.5 mm ²
耐电压:	AC2500V/1Min	

机械性能

环境温度:	-40°C ~ +105°C
剥线长度:	7-8mm

尺寸

间距:	10mm (.394")
极数:	3P

材质和电镀

塑件:	PA66, UL94V-0
载流体:	钢, 镀三价铬钝化彩锌
载流体:	黄铜
弹片:	不锈钢

DEVE-
LOPING



DG275

DEVE-
LOPING

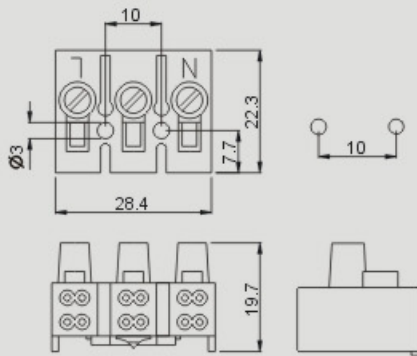


DG275-10A

DEVE-
LOPING



DG275-20A



Pitch:10mm; Poles:3P

APPROVAL

※ **Electrical**

Standard	UL	IEC
Rated voltage	300V	400V
Rated current	10A	10A
Wire range	22 -16AWG	1.5 mm ²
Withstanding voltage	AC2500V/1Min	

※ **Mechanical**

Ambient temperature	-40°C ~ +105°C	
Strip length	7-8mm	

※ **Dimensions**

Pitch	10mm(.394")
Poles	3P

※ **Material**

Housing	PA66,UL94V-0
Current carrier	Steel, Cr ³⁺ Zn plated
Wire guard	Stainless steel

※ **电气性能**

参考标准:	UL	IEC
额定电压:	300V	400V
额定电流:	10A	10A
导线线径:	22 -16AWG 1.5 mm ²	
耐电压:	AC2500V/1Min	

※ **机械性能**

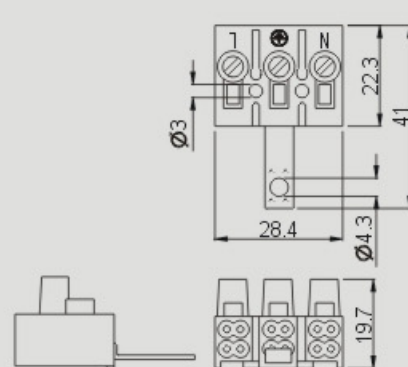
环境温度:	-40°C ~ +105°C	
剥线长度:	7-8mm	

※ **尺寸**

间距:	10mm(.394")
极数:	3P

※ **材质和电镀**

塑件:	PA66,UL94V-0
载流体:	钢,镀三价铬钝化彩锌
弹片:	不锈钢



Pitch:10mm; Poles:3P

APPROVAL

※ **Electrical**

Standard	UL	IEC
Rated voltage	300V	400V
Rated current	10A	10A
Wire range	22 -16AWG	1.5 mm ²
Withstanding voltage	AC2500V/1Min	

※ **Mechanical**

Ambient temperature	-40°C ~ +105°C	
Strip length	7-8mm	

※ **Dimensions**

Pitch	10mm(.394")
Poles	3P

※ **Material**

Housing	PA66,UL94V-0
Current carrier	Steel, Cr ³⁺ Zn plated
Current carrier	Brass
Wire guard	Stainless steel

※ **电气性能**

参考标准:	UL	IEC
额定电压:	300V	400V
额定电流:	10A	10A
导线线径:	22 -16AWG 1.5 mm ²	
耐电压:	AC2500V/1Min	

※ **机械性能**

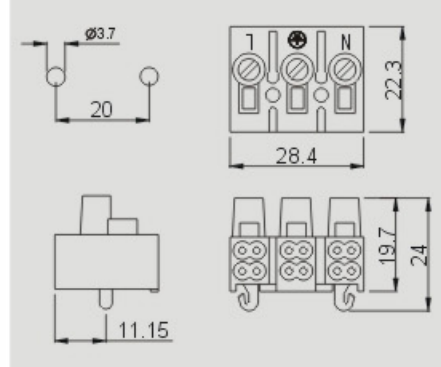
环境温度:	-40°C ~ +105°C	
剥线长度:	7-8mm	

※ **尺寸**

间距:	10mm(.394")
极数:	3P

※ **材质和电镀**

塑件:	PA66,UL94V-0
载流体:	钢,镀三价铬钝化彩锌
载流体:	黄铜
弹片:	不锈钢



Pitch:10mm; Poles:3P

APPROVAL

※ **Electrical**

Standard	UL	IEC
Rated voltage	300V	400V
Rated current	10A	10A
Wire range	22 -16AWG	1.5 mm ²
Withstanding voltage	AC2500V/1Min	

※ **Mechanical**

Ambient temperature	-40°C ~ +105°C	
Strip length	7-8mm	

※ **Dimensions**

Pitch	10mm(.394")
Poles	3P

※ **Material**

Housing	PA66,UL94V-0
Current carrier	Steel, Cr ³⁺ Zn plated
Wire guard	Stainless steel

※ **电气性能**

参考标准:	UL	IEC
额定电压:	300V	400V
额定电流:	10A	10A
导线线径:	22 -16AWG 1.5 mm ²	
耐电压:	AC2500V/1Min	

※ **机械性能**

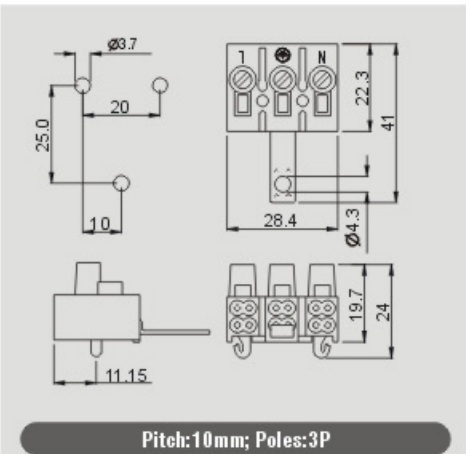
环境温度:	-40°C ~ +105°C	
剥线长度:	7-8mm	

※ **尺寸**

间距:	10mm(.394")
极数:	3P

※ **材质和电镀**

塑件:	PA66,UL94V-0
载流体:	钢,镀三价铬钝化彩锌
弹片:	不锈钢



APPROVAL :
 ※ **Electrical**
 Standard : UL IEC
 Rated voltage : 300V 400V
 Rated current : 10A 10A
 Wire range : 22 -16AWG 1.5 mm²
 Withstanding voltage : AC2500V/1Min

※ **Mechanical**
 Ambient temperature : -40°C ~ +105°C
 Strip length : 7-8mm

※ **Dimensions**
 Pitch : 10mm (.394")
 Poles : 3P

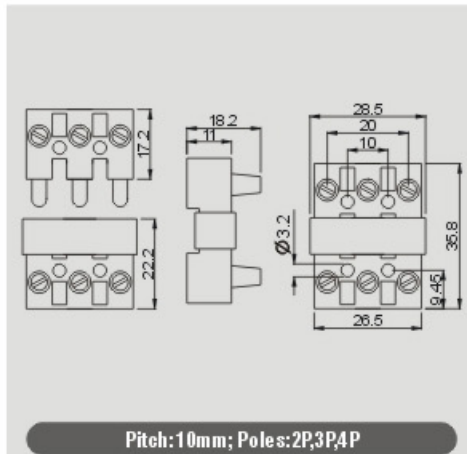
※ **Material**
 Housing : PA66, UL94V-0
 Current carrier : Steel, Cr⁺ Zn plated
 Wire guard : Stainless steel

※ **电气性能**
 参考标准: UL IEC
 额定电压: 300V 400V
 额定电流: 10A 10A
 导线线径: 22 -16AWG 1.5 mm²
 耐电压: AC2500V/1Min

※ **机械性能**
 环境温度: -40°C ~ +105°C
 剥线长度: 7-8mm

※ **尺寸**
 间距: 10mm (.394")
 极数: 3P

※ **材质和电镀**
 塑件: PA66, UL94V-0
 载流体: 钢, 镀三价铬钝化彩锌
 弹片: 不锈钢



APPROVAL :
 ※ **Electrical**
 Standard : UL IEC
 Rated voltage : 300V 400V
 Rated current : 10A 16A
 Wire range : 22 -16AWG 1.5 mm²
 Withstanding voltage : AC2500V/1Min

※ **Mechanical**
 Ambient temperature : -40°C ~ +105°C
 Strip length : 7-8mm

※ **Dimensions**
 Pitch : 10mm (.394")
 Poles : 2P, 3P, 4P

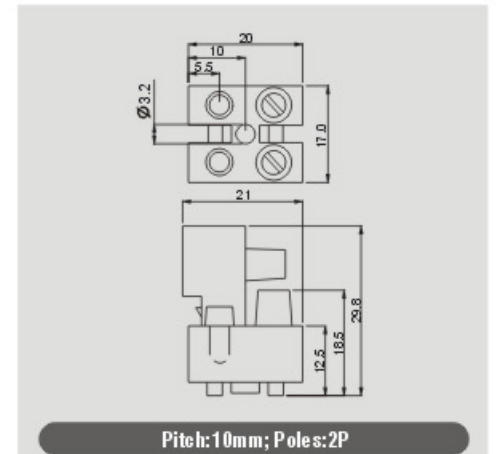
※ **Material**
 Housing : PA66, UL94V-0
 Current carrier : Brass, Ni plated

※ **电气性能**
 参考标准: UL IEC
 额定电压: 300V 400V
 额定电流: 10A 16A
 导线线径: 22 -16AWG 1.5 mm²
 耐电压: AC2500V/1Min

※ **机械性能**
 环境温度: -40°C ~ +105°C
 剥线长度: 7-8mm

※ **尺寸**
 间距: 10mm (.394")
 极数: 2P, 3P, 4P

※ **材质和电镀**
 塑件: PA66, UL94V-0
 载流体: 黄铜, 镀镍



APPROVAL :
 ※ **Electrical**
 Standard : UL IEC
 Rated voltage : 300V 400V
 Rated current : 10A 16A
 Wire range : 22 -16AWG 1.5 mm²
 Withstanding voltage : AC2500V/1Min

※ **Mechanical**
 Ambient temperature : -40°C ~ +105°C
 Strip length : 7-8mm

※ **Dimensions**
 Pitch : 10mm (.394")
 Poles : 2P

※ **Material**
 Housing : PA66, UL94V-0
 Current carrier : Brass, Ni plated

※ **电气性能**
 参考标准: UL IEC
 额定电压: 300V 400V
 额定电流: 10A 16A
 导线线径: 22 -16AWG 1.5 mm²
 耐电压: AC2500V/1Min

※ **机械性能**
 环境温度: -40°C ~ +105°C
 剥线长度: 7-8mm

※ **尺寸**
 间距: 10mm (.394")
 极数: 2P

※ **材质和电镀**
 塑件: PA66, UL94V-0
 载流体: 黄铜, 镀镍

DEVE-
LOPING



DG283

DEVE-
LOPING



DG284

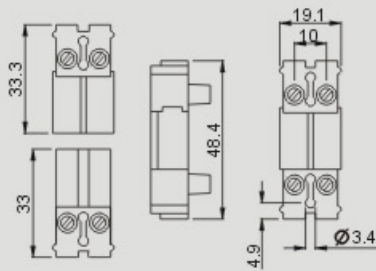
DEVE-
LOPING



DG285J

DG285K

DG285



Pitch: 10mm; Poles: 2P

APPROVAL

※**Electrical**

Standard	UL	IEC
Rated voltage	200V	250V
Rated current	10A	16A
Wire range	22 -16AWG	1.5 mm ²
Withstanding voltage	AC2000V/1Min	

※**Mechanical**

Ambient temperature	-40°C ~ +105°C	
Strip length	7-8mm	

※**Dimensions**

Pitch	10mm (.394")
Poles	2P

※**Material**

Housing	PA66, UL94V-0
Current carrier	Brass, Ni plated

※**电气性能**

参考标准	UL	IEC
额定电压	200V	250V
额定电流	10A	16A
导线线径	22 -16AWG	1.5 mm ²
耐电压	AC2000V/1Min	

※**机械性能**

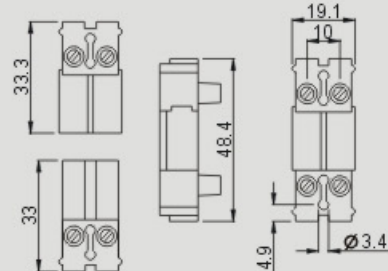
环境温度	-40°C ~ +105°C	
剥线长度	7-8mm	

※**尺寸**

间距	10mm (.394")
极数	2P

※**材质和电镀**

塑件	PA66, UL94V-0
载流体	黄铜, 镀镍



Pitch: 10mm; Poles: 2P

APPROVAL

※**Electrical**

Standard	UL	IEC
Rated voltage	200V	250V
Rated current	10A	16A
Wire range	22 -16AWG	1.5 mm ²
Withstanding voltage	AC2000V/1Min	

※**Mechanical**

Ambient temperature	-40°C ~ +105°C	
Strip length	7-8mm	

※**Dimensions**

Pitch	10mm (.394")
Poles	2P

※**Material**

Housing	PA66, UL94V-0
Current carrier	Brass, Ni plated

※**电气性能**

参考标准	UL	IEC
额定电压	200V	250V
额定电流	10A	16A
导线线径	22 -16AWG	1.5 mm ²
耐电压	AC2000V/1Min	

※**机械性能**

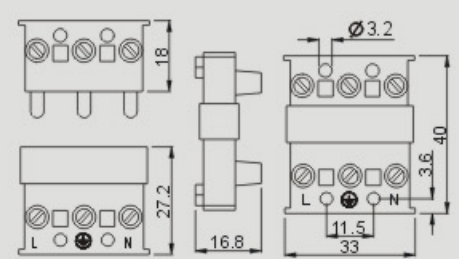
环境温度	-40°C ~ +105°C	
剥线长度	7-8mm	

※**尺寸**

间距	10mm (.394")
极数	2P

※**材质和电镀**

塑件	PA66, UL94V-0
载流体	黄铜, 镀镍



Pitch: 11.5mm; Poles: 3P

APPROVAL

※**Electrical**

Standard	UL	IEC
Rated voltage	300V	400V
Rated current	10A	16A
Wire range	22 -16AWG	1.5 mm ²
Withstanding voltage	AC2500V/1Min	

※**Mechanical**

Ambient temperature	-40°C ~ +105°C	
Strip length	7-8mm	

※**Dimensions**

Pitch	11.5mm (.453")
Poles	3P

※**Material**

Housing	PA66, UL94V-0
Current carrier	Brass, Ni plated

※**电气性能**

参考标准	UL	IEC
额定电压	300V	400V
额定电流	10A	16A
导线线径	22 -16AWG	1.5 mm ²
耐电压	AC2500V/1Min	

※**机械性能**

环境温度	-40°C ~ +105°C	
剥线长度	7-8mm	

※**尺寸**

间距	11.5mm (.453")
极数	3P

※**材质和电镀**

塑件	PA66, UL94V-0
载流体	黄铜, 镀镍

DEVE-
LOPING

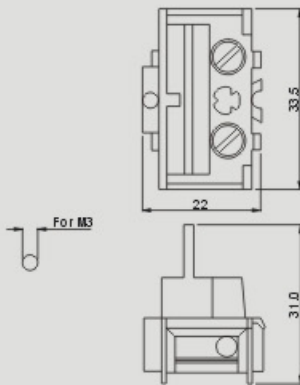


DG291

DEVE-
LOPING



DG294



Poles:1P

APPROVAL

※ **Electrical**

Standard	: UL	IEC
Rated voltage	: 300V	380V
Rated current	: 10A	10A
Wire range	: 22 -16AWG	1.5 mm ²
Withstanding voltage	: AC2500V/1Min	

※ **Mechanical**

Ambient temperature	: -40°C ~ +105°C
Strip length	: 7-8mm

※ **Dimensions**

Poles	: 1P
-------	------

※ **Material**

Housing	: PA66, UL94V-0
Current carrier	: Brass

※ **电气性能**

参考标准:	UL	IEC
额定电压:	300V	380V
额定电流:	10A	10A
导线线径:	22 -16AWG	1.5 mm ²
耐电压:	AC2500V/1Min	

※ **机械性能**

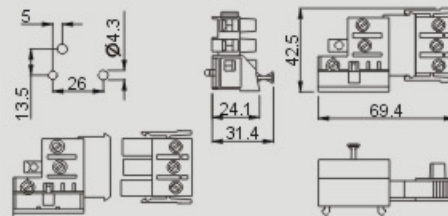
环境温度:	-40°C ~ +105°C
剥线长度:	7-8mm

※ **尺寸**

极数:	1P
-----	----

※ **材质和电镀**

塑件:	PA66, UL94V-0
载流体:	黄铜



Poles:3P

APPROVAL

※ **Electrical**

Standard	: UL	IEC
Rated voltage	: 300V	400V
Rated current	: 10A	13A
Wire range	: 22 -16AWG	1.5 mm ²
Withstanding voltage	: AC2500V/1Min	

※ **Mechanical**

Ambient temperature	: -40°C ~ +80°C
Strip length	: 7-8mm

※ **Dimensions**

Poles	: 3P
-------	------

※ **Material**

Housing	: PC, UL94V-0
Current carrier	: Steel, Cr ²⁺ Zn plated
Current carrier	: Brass

※ **电气性能**

参考标准:	UL	IEC
额定电压:	300V	400V
额定电流:	10A	13A
导线线径:	22 -16AWG	1.5 mm ²
耐电压:	AC2500V/1Min	

※ **机械性能**

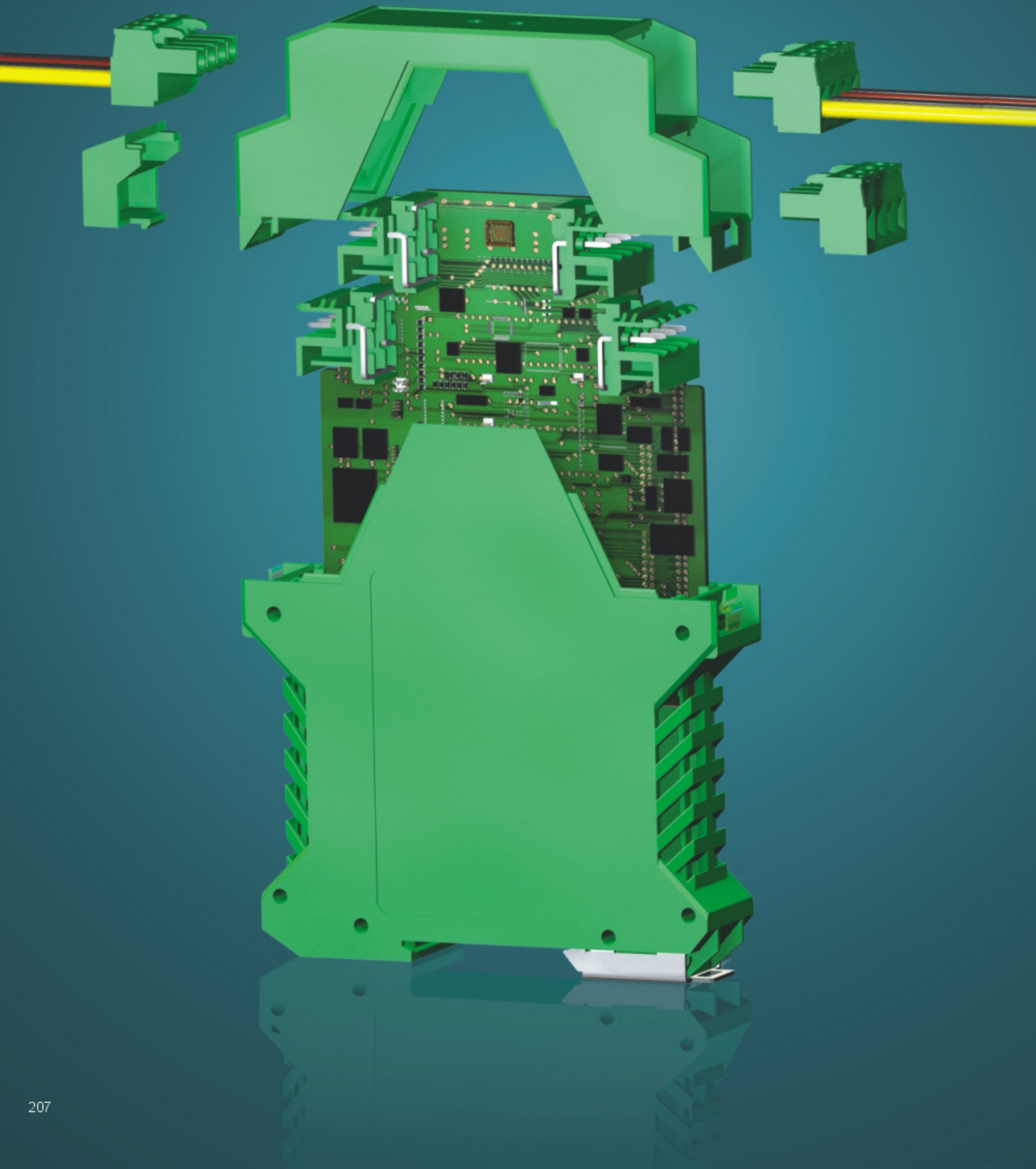
环境温度:	-40°C ~ +80°C
剥线长度:	7-8mm

※ **尺寸**

极数:	3P
-----	----

※ **材质和电镀**

塑件:	PC, UL94V-0
载流体:	铜, 镀三价铬钝化彩锌
载流体:	黄铜



INTERFACE MODULE

模组盒

Interface Module, now we have connector Module Series, Relay Module series, Miniature Relay Module series and Soled State Relay Module series.

模组盒现有: 连接线转接模块系列、继电器模块系列、小型继电器模块系列、固态继电器模块系列。

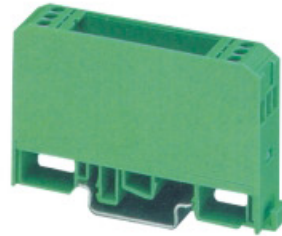
www.degson.com

DEVE-
LOPING



DMG-02P DMG-03P DMG-04P
DMG-05P DMG-07P DMG-08P
DMG-09P DMG-14P DMG-17P
DMG-19P DMG-24P DMG-29P

DEVE-
LOPING

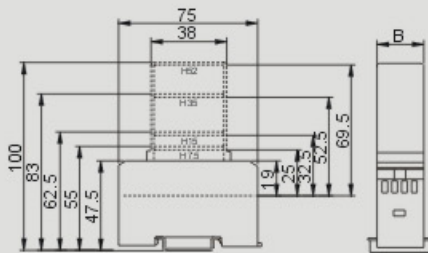


DMGB-02P
DMGB-03P

DEVE-
LOPING



DFG45



APPROVAL

※ **Electrical**
Standard : UL IEC
Wire range : 24 -12AWG 2.5 mm²

※ **Mechanical**
Ambient temperature : -40°C ~ +85°C
Strip length : 8mm

※ **Dimensions**
Width : 10mm(0.394"), 15mm(0.591")
22.5mm(0.886"), 30mm(1.181")
37.5mm(1.476"), 45mm(1.772")
50mm(1.969"), 75mm(2.953")
90mm(3.543"), 100mm(3.937")
125mm(4.921"), 150mm(5.906")
Poles : 4P, 6P, 8P, 10P, 14P, 16P, 18P, 28P,
34P, 38P, 48P, 58P

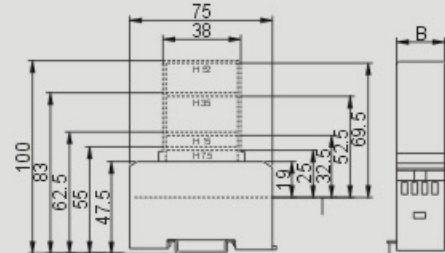
※ **Material**
Housing : PC, UL94V-0

※ **电气性能**
参考标准: UL IEC
导线线径: 24 -12AWG 2.5mm²

※ **机械性能**
环境温度: -40°C ~ +85°C
剥线长度: 8mm

※ **尺寸**
厚度 : 10mm(0.394"), 15mm(0.591")
22.5mm(0.886"), 30mm(1.181")
37.5mm(1.476"), 45mm(1.772")
50mm(1.969"), 75mm(2.953")
90mm(3.543"), 100mm(3.937")
125mm(4.921"), 150mm(5.906")
极数 : 4P, 6P, 8P, 10P, 14P, 16P, 18P, 28P, 34P, 38P,
48P, 58P

※ **材质和电镀**
塑件 : PC, UL94V-0



APPROVAL

※ **Electrical**
Standard : UL IEC
Wire range : 24 -12AWG 2.5 mm²

※ **Mechanical**
Ambient temperature : -40°C ~ +85°C
Strip length : 8mm

※ **Dimensions**
Width : 12.5mm(0.492"), 17.5mm(0.689")
Poles : 4P, 6P

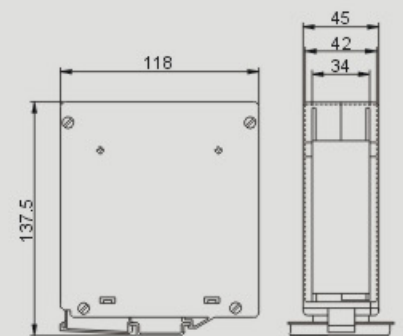
※ **Material**
Housing : PC, UL94V-0

※ **电气性能**
参考标准: UL IEC
导线线径: 24 -12AWG 2.5mm²

※ **机械性能**
环境温度: -40°C ~ +85°C
剥线长度: 8mm

※ **尺寸**
厚度 : 12.5mm(0.492"), 17.5mm(0.689")
极数 : 4P, 6P

※ **材质和电镀**
塑件 : PC, UL94V-0



APPROVAL

※ **Mechanical**
Ambient temperature : -40°C ~ +85°C

※ **Dimensions**
Width : 45mm(1.772")

※ **Material**
Housing : PC, UL94V-0

※ **机械性能**
环境温度: -40°C ~ +85°C

※ **尺寸**
厚度 : 45mm(1.772")

※ **材质和电镀**
塑件 : PC, UL94V-0

DEVE-
LOPING



FMES-02P
FMES-03P FMES-04P
FMES-06P FMES-08P

DEVE-
LOPING

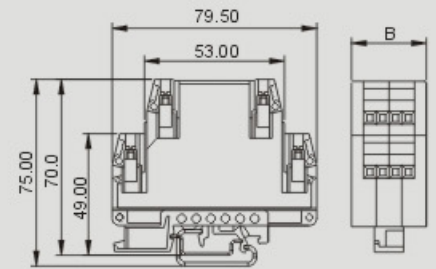
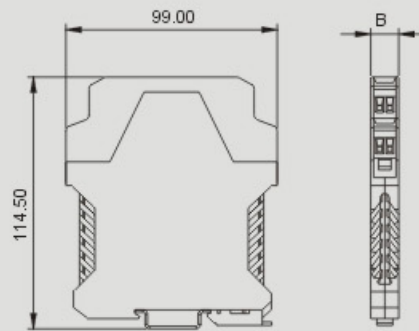
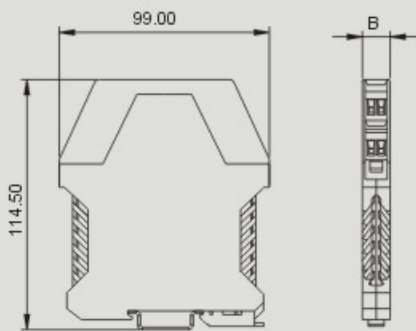


FMET-02P
FMET-03P FMET-04P
FMET-06P FMET-08P

DEVE-
LOPING



FEG-02P
FEG-04P



APPROVAL :
※Electrical
 Standard : UL IEC
 Rated voltage : 300V 250V
 Rated current : 10A 16A
 Wire range : 24-12AWG 2.5mm²
 Withstanding voltage : AC2000V/1Min

※Mechanical
 Torque : 0.4Nm(3.5Lb-In.)
 Ambient temperature : -40°C~+105°C
 Strip length : 7mm

※Dimensions
 Width : 12.5mm(.492") 17.5mm(.689")
 22.5mm(0.886") 35mm(1.378")
 45mm(1.772")
 Poles : 8P,12P,16P,24P,32P

※Material
 Housing : PA66,UL94V-0
 Screws : M2.5,steel,Cr⁺ Zn plated
 Pin header : Brass,Tin plated
 Cage : Brass,Ni plated

※电气性能
 参考标准: UL IEC
 额定电压: 300V 250V
 额定电流: 10A 16A
 导线线径: 24-12AWG 2.5mm²
 耐电压: AC2000V/1Min

※机械性能
 扭力矩: 0.4Nm(3.5Lb-In.)
 环境温度: -40°C~+105°C
 剥线长度: 7mm

※尺寸
 厚度: 12.5mm(.492") 17.5mm(.689")
 22.5mm(0.886") 35mm(1.378")
 45mm(1.772")
 极数: 8P,12P,16P,24P,32P

※材质和电镀
 塑件: PA66,UL94V-0
 螺丝: M2.5,钢,镀Cr⁺钝化彩锌
 焊针: 黄铜,镀锡
 方盒: 黄铜,镀镍

APPROVAL :
※Electrical
 Standard : UL IEC
 Rated voltage : 300V 320V
 Rated current : 15A 20A
 Wire range : 28-12AWG 2.5mm²
 Withstanding voltage : AC2500V/1Min

※Mechanical
 Torque : 0.4Nm(3.5lb.in)
 Ambient temperature : -40°C~+105°C
 Strip length : 7mm

※Dimensions
 Width : 12.5mm(.492") 17.5mm(.689")
 22.5mm(0.886") 35mm(1.378")
 45mm(1.772")
 Poles : 8P,12P,16P,24P,32P

※Material
 Housing : PA66,UL94V-0
 Screws : M2.5,steel,Cr⁺ Zn plated
 Contact : Phosphor bronze
 Cage : Brass,Ni plated

※电气性能
 参考标准: UL IEC
 额定电压: 300V 320V
 额定电流: 15A 20A
 导线线径: 28-12AWG 2.5mm²
 耐电压: AC2500V/1Min

※机械性能
 扭力矩: 0.4Nm(3.5lb.in)
 环境温度: -40°C~+105°C
 剥线长度: 7mm

※尺寸
 厚度: 12.5mm(.492"),17.5mm(.689")
 22.5mm(0.886"),35mm(1.378")
 45mm(1.772")
 极数: 8P,12P,16P,24P,32P

※材质和电镀
 塑件: PA66,UL94V-0
 螺丝: M2.5,钢,镀Cr⁺钝化彩锌
 焊针: 黄铜,镀锡
 触点材料: 磷青铜
 方盒: 黄铜,镀镍

APPROVAL :
※Electrical
 Standard : UL IEC
 Rated voltage : 300V 250V
 Rated current : 10A 16A
 Wire range : 24-12AWG 2.5mm²
 Withstanding voltage : AC2000V/1Min

※Mechanical
 Torque : 0.4Nm(3.5lb.in)
 Ambient temperature : -40°C~+105°C
 Strip length : 7mm

※Dimensions
 Width : 20mm(0.787"),30mm(1.181")
 Poles : 8P,16P

※Material
 Housing : PA66,UL94V-0
 Screws : M2.5,steel,Cr⁺ Zn plated
 Pin header : Brass,Tin plated
 Cage : Brass,Ni plated

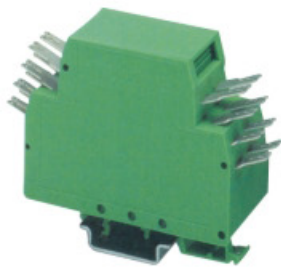
※电气性能
 参考标准: UL IEC
 额定电压: 300V 250V
 额定电流: 10A 16A
 导线线径: 24-12AWG 2.5mm²
 耐电压: AC2000V/1Min

※机械性能
 扭力矩: 0.4Nm(3.5lb.in)
 环境温度: -40°C~+105°C
 剥线长度: 7mm

※尺寸
 厚度: 20mm(.787"),30mm(1.181")
 极数: 8P,16P

※材质和电镀
 塑件: PA66,UL94V-0
 螺丝: M2.5,钢,镀Cr⁺钝化彩锌
 焊针: 黄铜,镀锡
 方盒: 黄铜,镀镍

DEVE-
LOPING



FEGS-02P
FEGS-04P

DEVE-
LOPING

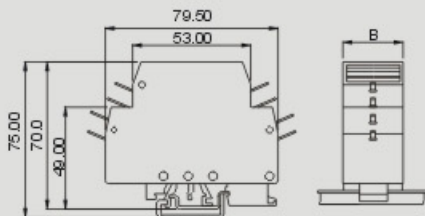


FEGH-03P
FEGH-06P

DEVE-
LOPING



FEGM-03P
FEGM-06P



APPROVAL :
※ Electrical
 Standard : UL IEC
 Rated voltage : 300V 250V
 Rated current : 10A 16A
 Wire range : 24-12AWG 2.5mm²
 Withstanding voltage : AC2000V/1Min

※ Mechanical
 Ambient temperature : -40°C ~ +105°C
 Strip length : 7 mm

※ Dimensions
 Width : 20mm(0.787"), 30mm(1.181")
 Poles : 8P,16P

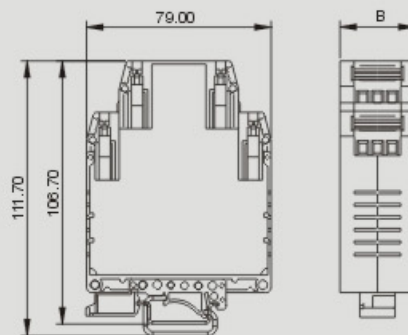
※ Material
 Housing : PA66, UL94V-0
 Pin header : Brass, Tin plated

※ 电气性能
 参考标准: UL IEC
 额定电压: 300V 250V
 额定电流: 10A 16A
 导线线径: 24-12AWG 2.5mm²
 耐电压: AC2000V/1Min

※ 机械性能
 环境温度: -40°C ~ +105°C
 剥线长度: 7mm

※ 尺寸
 厚度: 20mm(.787"), 30mm(1.181")
 极数: 8P,16P

※ 材质和电镀
 塑件: PA66, UL94V-0
 焊针: 黄铜, 镀锡



APPROVAL :
※ Electrical
 Standard : UL IEC
 Rated voltage : 300V 250V
 Rated current : 10A 16A
 Wire range : 24-12AWG 2.5mm²
 Withstanding voltage : AC2000V/1Min

※ Mechanical
 Torque : 0.4Nm(3.5lb.in)
 Ambient temperature : -40°C ~ +105°C
 Strip length : 7 mm

※ Dimensions
 Width : 22.5mm(0.886"), 40mm(1.575")
 Poles : 12P,24P

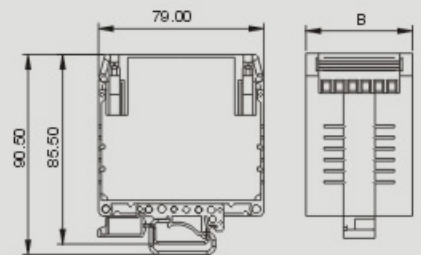
※ Material
 Housing : PA66, UL94V-0
 Screws : M2.5, steel, Cr³⁺ Zn plated
 Pin header : Brass, Tin plated
 Cage : Brass, Ni plated

※ 电气性能
 参考标准: UL IEC
 额定电压: 300V 250V
 额定电流: 10A 16A
 导线线径: 24-12AWG 2.5mm²
 耐电压: AC2000V/1Min

※ 机械性能
 扭矩: 0.4Nm(3.5lb.in)
 环境温度: -40°C ~ +105°C
 剥线长度: 7mm

※ 尺寸
 厚度: 22.5mm(0.886"), 40mm(1.575")
 极数: 12P,24P

※ 材质和电镀
 塑件: PA66, UL94V-0
 螺丝: M2.5, 钢, 镀Cr³⁺钝化彩锌
 焊针: 黄铜, 镀锡
 方盒: 黄铜, 镀镍



APPROVAL :
※ Electrical
 Standard : UL IEC
 Rated voltage : 300V 250V
 Rated current : 10A 16A
 Wire range : 24-12AWG 2.5mm²
 Withstanding voltage : AC2000V/1Min

※ Mechanical
 Torque : 0.4Nm(3.5lb.in)
 Ambient temperature : -40°C ~ +105°C
 Strip length : 7 mm

※ Dimensions
 Width : 22.5mm(0.886"), 40mm(1.575")
 Poles : 6P,12P

※ Material
 Housing : PA66, UL94V-0
 Screws : M2.5, steel, Cr³⁺ Zn plated
 Pin header : Brass, Tin plated
 Cage : Brass, Ni plated

※ 电气性能
 参考标准: UL IEC
 额定电压: 300V 250V
 额定电流: 10A 16A
 导线线径: 24-12AWG 2.5mm²
 耐电压: AC2000V/1Min

※ 机械性能
 扭矩: 0.4Nm(3.5lb.in)
 环境温度: -40°C ~ +105°C
 剥线长度: 7mm

※ 尺寸
 厚度: 22.5mm(0.886"), 40mm(1.575")
 极数: 6P,12P

※ 材质和电镀
 塑件: PA66, UL94V-0
 螺丝: M2.5, 钢, 镀Cr³⁺钝化彩锌
 焊针: 黄铜, 镀锡
 方盒: 黄铜, 镀镍

DEVE-
LOPING



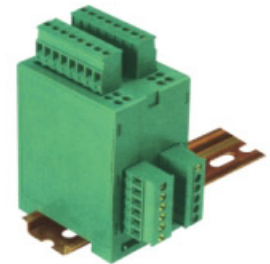
FEGMS-03P
FEGMS-06P

DEVE-
LOPING

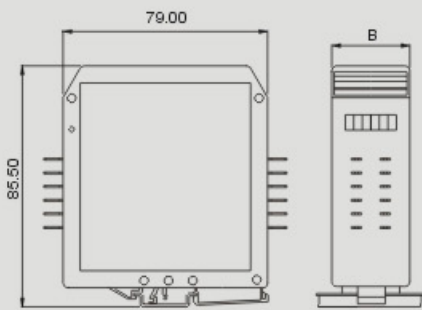


FEGM-12P

DEVE-
LOPING



FMUG-28P



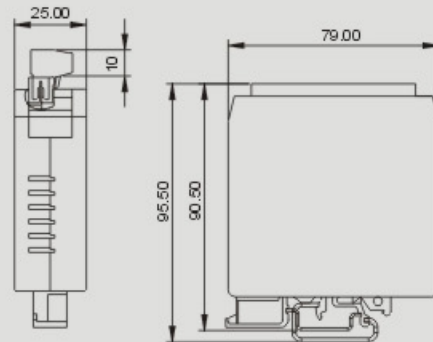
APPROVAL	:		
※ Electrical	:		
Standard	:	UL	IEC
Rated voltage	:	300V	250V
Rated current	:	10A	16A
Wire range	:	24-12AWG	2.5mm ²
Withstanding voltage	:	AC2000V/1Min	
※ Mechanical	:		
Torque	:	0.4Nm(3.5lb.in)	
Ambient temperature	:	-40°C~+105°C	
Strip length	:	7mm	
※ Dimensions	:		
Width	:	22.5mm(0.886"),40mm(1.575")	
Poles	:	6P,12P	
※ Material	:		
Housing	:	PA66,UL94V-0	
Screws	:	M2.5,steel,Cr ³⁺ Zn plated	
Pin header	:	Brass,Tin plated	
Cage	:	Brass,Ni plated	

※**电气性能**
参考标准: UL IEC
额定电压: 300V 250V
额定电流: 10A 16A
导线线径: 24-12AWG 2.5mm²
耐电压: AC2000V/1Min

※**机械性能**
扭 矩: 0.4Nm(3.5lb.in)
环境温度: -40°C~+105°C
剥线长度: 7mm

※**尺寸**
厚 度: 22.5mm(0.886"),40mm(1.575")
极 数: 6P,12P

※**材质和电镀**
塑 件: PA66,UL94V-0
螺 丝: M2.5,钢,镀Cr³⁺钝化彩锌
焊 针: 黄铜,镀锡
方 盒: 黄铜,镀镍



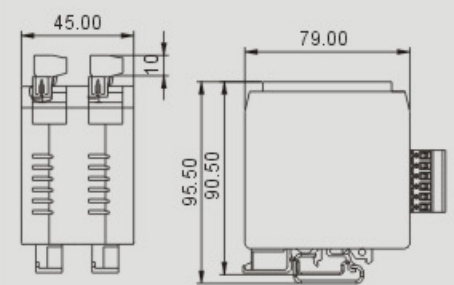
APPROVAL	:		
※ Electrical	:		
Standard	:	UL	IEC
Rated voltage	:	300V	250V
Rated current	:	10A	16A
Wire range	:	24-12AWG	2.5mm ²
Withstanding voltage	:	AC2000V/1Min	
※ Mechanical	:		
Torque	:	0.4Nm(3.5lb.in)	
Ambient temperature	:	-40°C~+105°C	
Strip length	:	7mm	
※ Dimensions	:		
Width	:	25mm(1.016")	
Poles	:	12P	
※ Material	:		
Housing	:	PA66,UL94V-0	
Pin header	:	Brass,Tin plated	

※**电气性能**
参考标准: UL IEC
额定电压: 300V 250V
额定电流: 10A 16A
导线线径: 24-12AWG 2.5mm²
耐电压: AC2000V/1Min

※**机械性能**
扭 矩: 0.4Nm(3.5lb.in)
环境温度: -40°C~+105°C
剥线长度: 7mm

※**尺寸**
厚 度: 25mm(1.016")
极 数: 12P

※**材质和电镀**
塑 件: PA66,UL94V-0
焊 针: 黄铜,镀锡



APPROVAL	:		
※ Electrical	:		
Standard	:	UL	IEC
Rated voltage	:	300V	250V
Rated current	:	10A	16A
Wire range	:	28-12AWG	2.5mm ²
Withstanding voltage	:	AC2000V/1Min	
※ Mechanical	:		
Torque	:	0.4Nm(3.5lb.in)	
Ambient temperature	:	-40°C~+105°C	
Strip length	:	7mm	
※ Dimensions	:		
Width	:	45mm(1.772")	
Poles	:	28P	
※ Material	:		
Housing	:	PA66,UL94V-0	
Pin header	:	Brass,Tin plated	

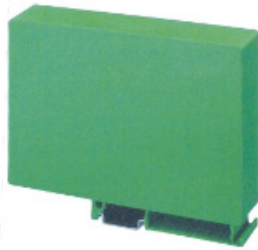
※**电气性能**
参考标准: UL IEC
额定电压: 300V 250V
额定电流: 10A 16A
导线线径: 28-12AWG 2.5mm²
耐电压: AC2000V/1Min

※**机械性能**
扭 矩: 0.4Nm(3.5lb.in)
环境温度: -40°C~+105°C
剥线长度: 7mm

※**尺寸**
厚 度: 45mm(1.772")
极 数: 28P

※**材质和电镀**
塑 件: PA66,UL94V-0
焊 针: 黄铜,镀锡

DEVELOPING



DEG-EU

DEVELOPING



DM50-DM75

DEVELOPING



DM71

APPROVAL

※ **Mechanical**
Ambient temperature: -40°C ~ +105°C

※ **Dimensions**
Width : 35mm(0.492")

※ **Material**
Housing : PA66,UL94V-0

※ 机械性能
环境温度: -40°C ~ +105°C

※ 尺寸
厚度: 35mm(0.492")

※ 材质和电镀
塑件: PA66,UL94V-0

APPROVAL

※ **Mechanical**
Ambient temperature: -40°C ~ +85°C

※ **Material**
Housing : PC,UL94V-0

※ 机械性能
环境温度: -40°C ~ +85°C

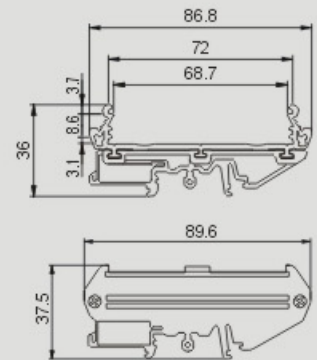
※ 材质和电镀
塑件: PC,UL94V-0

※ **Mechanical**
Ambient temperature: -40°C ~ +105°C

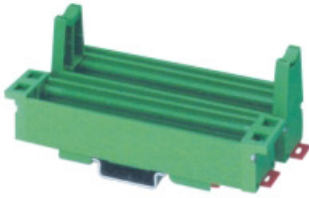
※ **Material**
Housing : PA66,UL94V-0

※ 机械性能
环境温度: -40°C ~ +105°C

※ 材质和电镀
塑件: PA66,UL94V-0



DEVELOPING



DM25

DEVELOPING

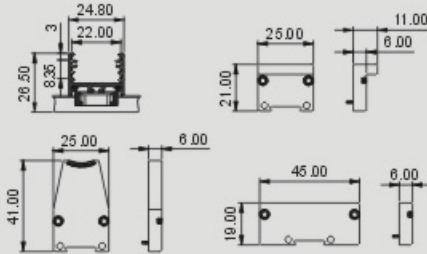


DM45

DEVELOPING



DM100/108

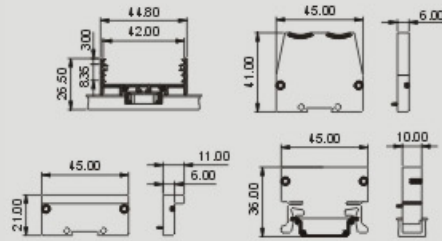


※ **Mechanical**
Ambient temperature : -40°C ~ +105°C

※ **Material**
Housing : PA66,UL94V-0

※ 机械性能
环境温度: -40°C ~ +105°C

※ 材质和电镀
塑 件: PA66,UL94V-0

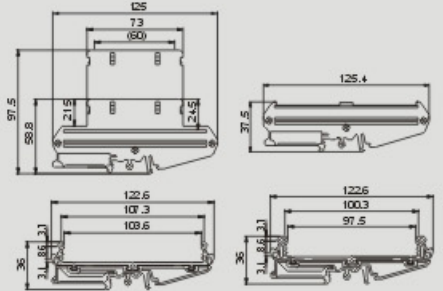


※ **Mechanical**
Ambient temperature : -40°C ~ +105°C

※ **Material**
Housing : PA66,UL94V-0

※ 机械性能
环境温度: -40°C ~ +105°C

※ 材质和电镀
塑 件: PA66,UL94V-0



※ **Mechanical**
Ambient temperature : -40°C ~ +105°C

※ **Material**
Housing : PA66,UL94V-0

※ 机械性能
环境温度: -40°C ~ +105°C

※ 材质和电镀
塑 件: PA66,UL94V-0

DEVE-
LOPING



DM122

DEVE-
LOPING

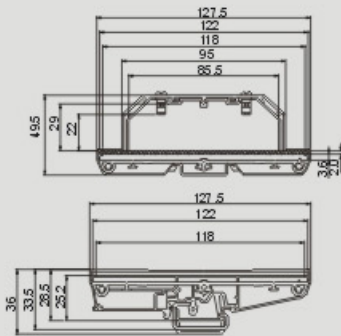


DM1

DEVE-
LOPING



DM2

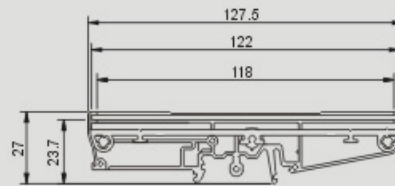


※ **Mechanical**
Ambient temperature: $-40^{\circ}\text{C} \sim +105^{\circ}\text{C}$

※ **Material**
Housing : PA66,UL94V-0

※ 机械性能
环境温度: $-40^{\circ}\text{C} \sim +105^{\circ}\text{C}$

※ 材质和电镀
塑 件: PA66,UL94V-0

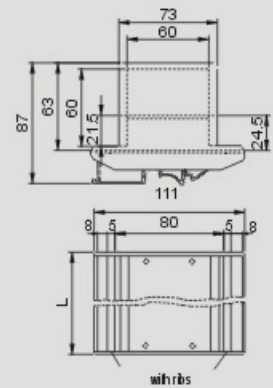


※ **Mechanical**
Ambient temperature: $-40^{\circ}\text{C} \sim +105^{\circ}\text{C}$

※ **Material**
Housing : PA66,UL94V-0

※ 机械性能
环境温度: $-40^{\circ}\text{C} \sim +105^{\circ}\text{C}$

※ 材质和电镀
塑 件: PA66,UL94V-0



※ **Mechanical**
Ambient temperature: $-40^{\circ}\text{C} \sim +105^{\circ}\text{C}$

※ **Material**
Housing : PA66,UL94V-0

※ 机械性能
环境温度: $-40^{\circ}\text{C} \sim +105^{\circ}\text{C}$

※ 材质和电镀
塑 件: PA66,UL94V-0

DEVE-
LOPING



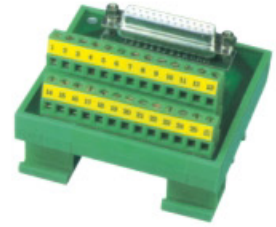
DMK

DEVE-
LOPING

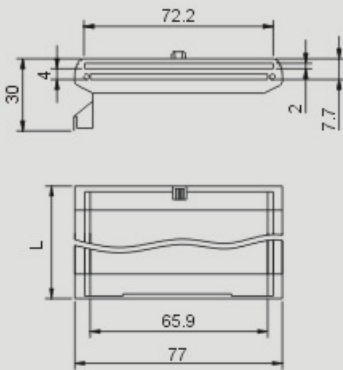


DGMXX-AP01

DEVE-
LOPING



DGMXX-AP02



※ **Mechanical**
Ambient temperature : -40°C ~ +105°C

※ **Material**
Housing : PA66, UL94V-0

※ **机械性能**
环境温度: -40°C ~ +105°C

※ **材质和电镀**
塑 件: PA66, UL94V-0

APPROVAL :
※ **Electrical**
Standard : UL IEC
Rated voltage : 24V 24V
Rated current : 5A 5A
Wire range : 24-12AWG 2.5mm²

※ **Mechanical**
Torque : 0.4Nm (3.5lb.in)
Ambient temperature : -40°C ~ +105°C
Strip length : 7mm

※ **Material**
Housing : PA66, UL94V-0
Screws : M2.5, steel, Cr⁺ Zn plated
Pin header : Brass, Tin plated
Cage : Brass, Ni plated

※ **电气性能**
参考标准: UL IEC
额定电压: 24V 24V
额定电流: 5A 5A
导线线径: 24-12AWG 2.5mm²

※ **机械性能**
扭 矩: 0.4Nm (3.5lb.in)
环境温度: -40°C ~ +105°C
剥线长度: 7mm

※ **材质和电镀**
塑 件: PA66, UL94V-0
螺 丝: M2.5, 钢, 镀Cr⁺钝化彩锌
焊 针: 黄铜, 镀锡
方 盒: 黄铜, 镀镍

APPROVAL :
※ **Electrical**
Standard : UL IEC
Rated voltage : 24V 24V
Rated current : 5A 5A
Wire range : 24-12AWG 2.5mm²

※ **Mechanical**
Torque : 0.4Nm (3.5lb.in)
Ambient temperature : -40°C ~ +105°C
Strip length : 7mm

※ **Material**
Housing : PA66, UL94V-0
Screws : M2.5, steel, Cr⁺ Zn plated
Pin header : Brass, Tin plated
Cage : Brass, Ni plated

※ **电气性能**
参考标准: UL IEC
额定电压: 24V 24V
额定电流: 5A 5A
导线线径: 24-12AWG 2.5mm²

※ **机械性能**
扭 矩: 0.4Nm (3.5lb.in)
环境温度: -40°C ~ +105°C
剥线长度: 7mm

※ **材质和电镀**
塑 件: PA66, UL94V-0
螺 丝: M2.5, 钢, 镀Cr⁺钝化彩锌
焊 针: 黄铜, 镀锡
方 盒: 黄铜, 镀镍

DEVE-
LOPING



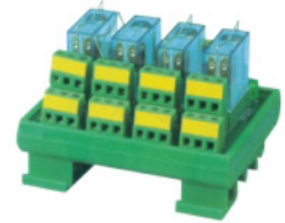
DRM201-01

DEVE-
LOPING



DRM202-01

DEVE-
LOPING



DRM204-01

APPROVAL :

※ **Electrical**

Standard : UL IEC
 Rated voltage : 24V 24V
 Rated current : 5A 5A
 Wire range : 24-12AWG 2.5mm²
 Withstanding voltage : AC400V/1Min

※ **Mechanical**

Torque : 0.4Nm(3.5lb.in)
 Ambient temperature : -40°C~+105°C
 Strip length : 7mm

※ **Material**

CO : 2
 NO : 2
 Contact : AgNi

※ **电气性能**

参考标准: UL IEC
 额定电压: 24V 24V
 额定电流: 5A 5A
 导线线径: 24-12AWG 2.5mm²
 最大电压: AC400V/1Min

※ **机械性能**

扭 矩: 0.4Nm(3.5lb.in)
 环境温度: -40°C~+105°C
 剥线长度: 7mm

※ **材质和电镀**

CO : 2
 NO : 2
 触点材料: AgNi

APPROVAL :

※ **Electrical**

Standard : UL IEC
 Rated voltage : 24V 24V
 Rated current : 5A 5A
 Wire range : 24-12AWG 2.5mm²
 Withstanding voltage : AC400V/1Min

※ **Mechanical**

Torque : 0.4Nm(3.5lb.in)
 Ambient temperature : -40°C~+105°C
 Strip length : 7mm

※ **Material**

CO : 2
 NO : 2
 Contact : AgNi

※ **电气性能**

参考标准: UL IEC
 额定电压: 24V 24V
 额定电流: 5A 5A
 导线线径: 24-12AWG 2.5mm²
 最大电压: AC400V/1Min

※ **机械性能**

扭 矩: 0.4Nm(3.5lb.in)
 环境温度: -40°C~+105°C
 剥线长度: 7mm

※ **材质和电镀**

CO : 2
 NO : 2
 触点材料: AgNi

APPROVAL :

※ **Electrical**

Standard : UL IEC
 Rated voltage : 24V 24V
 Rated current : 5A 5A
 Wire range : 24-12AWG 2.5mm²
 Withstanding voltage : AC400V/1Min

※ **Mechanical**

Torque : 0.4Nm(3.5lb.in)
 Ambient temperature : -40°C~+105°C
 Strip length : 7mm

※ **Material**

CO : 2
 NO : 2
 Contact : AgNi

※ **电气性能**

参考标准: UL IEC
 额定电压: 24V 24V
 额定电流: 5A 5A
 导线线径: 24-12AWG 2.5mm²
 最大电压: AC400V/1Min

※ **机械性能**

扭 矩: 0.4Nm(3.5lb.in)
 环境温度: -40°C~+105°C
 剥线长度: 7mm

※ **材质和电镀**

CO : 2
 NO : 2
 触点材料: AgNi

DEVE-
LOPING



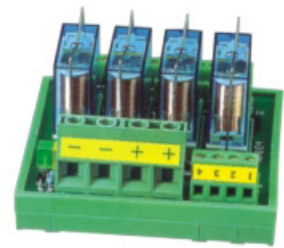
DRM101-01

DEVE-
LOPING



DRM102-01

DEVE-
LOPING



DRM104-01

APPROVAL

※**Electrical**
Standard : UL IEC
Rated voltage : 24V 24V
Rated current : 16A 16A
Wire range : 24-12AWG 2.5mm²
Withstanding voltage : AC400V/1Min

※**Mechanical**

Torque : 0.4Nm(3.5lb.in)
Ambient temperature : -40°C~+105°C
Strip length : 7mm

※**Material**

CO : 1
NO : 1
Contact : AgNi

※**电气性能**

参考标准: UL IEC
额定电压: 24V 24V
额定电流: 16A 16A
导线线径: 24-12AWG 2.5mm²
最大电压: AC400V/1Min

※**机械性能**

扭 矩: 0.4Nm(3.5lb.in)
环境温度: -40°C~+105°C
剥线长度: 7mm

※**材质和电镀**

CO : 1
NO : 1
触点材料: AgNi

APPROVAL

※**Electrical**
Standard : UL IEC
Rated voltage : 24V 24V
Rated current : 16A 16A
Wire range : 24-12AWG 2.5mm²
Withstanding voltage : AC400V/1Min

※**Mechanical**

Torque : 0.4Nm(3.5lb.in)
Ambient temperature : -40°C~+105°C
Strip length : 7mm

※**Material**

CO : 1
NO : 1
Contact : AgNi

※**电气性能**

参考标准: UL IEC
额定电压: 24V 24V
额定电流: 16A 16A
导线线径: 24-12AWG 2.5mm²
最大电压: AC400V/1Min

※**机械性能**

扭 矩: 0.4Nm(3.5lb.in)
环境温度: -40°C~+105°C
剥线长度: 7mm

※**材质和电镀**

CO : 1
NO : 1
触点材料: AgNi

APPROVAL

※**Electrical**
Standard : UL IEC
Rated voltage : 24V 24V
Rated current : 16A 16A
Withstanding voltage : AC400V/1Min

※**Mechanical**

Ambient temperature : -40°C~+105°C
Strip length : 7mm

※**Material**

CO : 1
NO : 1
Contact : AgNi

※**电气性能**

参考标准: UL IEC
额定电压: 24V 24V
额定电流: 16A 16A
最大电压: AC400V/1Min

※**机械性能**

环境温度: -40°C~+105°C
剥线长度: 7mm

※**材质和电镀**

CO : 1
NO : 1
触点材料: AgNi

DEVE-
LOPING



DBI31

DEVE-
LOPING

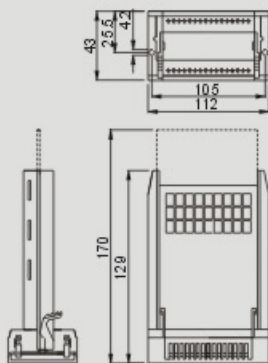


DBI32C

DEVE-
LOPING



DG32



Poles: 31P

APPROVAL

※ Electrical		
Standard	UL	IEC
Rated voltage	300V	250V
Rated current	5A	5A
Wire range	24 -12AWG	2.5 mm ²
Withstanding voltage	AC2000V/1Min	

※ **Mechanical**

Torque	: 0.5Nm(4.4Lb-In.)
Ambient temperature	: -40°C ~ +105°C
Strip length	: 8mm

※ **Dimensions**

Poles	: 31P
-------	-------

※ **Material**

Housing	: PA66, UL94V-0
Screws	: M3, steel, Cr ⁺ Zn plated
Pin header	: Brass, Tin plated
Cage	: Brass, Ni plated

※ **电气性能**

参考标准	UL	IEC
额定电压	300V	250V
额定电流	5A	5A
导线线径	24 -12AWG	2.5 mm ²
耐电压	AC2000V/1Min	

※ **机械性能**

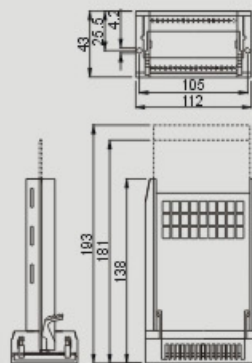
扭力矩	: 0.5Nm(4.4Lb-In.)
环境温度	: -40°C ~ +105°C
剥线长度	: 8mm

※ **尺寸**

极数	: 31P
----	-------

※ **材质和电镀**

塑件	: PA66, UL94V-0
螺丝	: M3, 铜, 镀Cr ⁺ 钝化彩锌
焊针	: 黄铜, 镀锡
方盒	: 黄铜, 镀镍



Poles: 32P

APPROVAL

※ Electrical		
Standard	UL	IEC
Rated voltage	300V	250V
Rated current	4A	4A
Wire range	24 -12AWG	2.5 mm ²
Withstanding voltage	AC2000V/1Min	

※ **Mechanical**

Torque	: 0.5Nm(4.4Lb-In.)
Ambient temperature	: -40°C ~ +105°C
Strip length	: 8mm

※ **Dimensions**

Poles	: 32P
-------	-------

※ **Material**

Housing	: PA66, UL94V-0
Screws	: M3, steel, Cr ⁺ Zn plated
Pin header	: Brass, Tin plated
Cage	: Brass, Ni plated

※ **电气性能**

参考标准	UL	IEC
额定电压	300V	250V
额定电流	4A	4A
导线线径	24 -12AWG	2.5 mm ²
耐电压	AC2000V/1Min	

※ **机械性能**

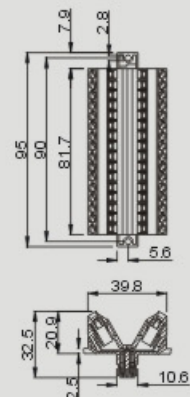
扭力矩	: 0.5Nm(4.4Lb-In.)
环境温度	: -40°C ~ +105°C
剥线长度	: 8mm

※ **尺寸**

极数	: 32P
----	-------

※ **材质和电镀**

塑件	: PA66, UL94V-0
螺丝	: M3, 铜, 镀Cr ⁺ 钝化彩锌
焊针	: 黄铜, 镀锡
方盒	: 黄铜, 镀镍



Poles: 32P

APPROVAL

※ Electrical		
Standard	UL	IEC
Rated voltage	300V	250V
Rated current	4A	4A
Wire range	24 -12AWG	2.5 mm ²
Withstanding voltage	AC2000V/1Min	

※ **Mechanical**

Torque	: 0.5Nm(4.4Lb-In.)
Ambient temperature	: -40°C ~ +105°C
Strip length	: 8mm

※ **Dimensions**

Poles	: 32P
-------	-------

※ **Material**

Housing	: PA66, UL94V-2
Screws	: M3, steel, Cr ⁺ Zn plated
Pin header	: Brass, Tin plated
Cage	: Brass, Ni plated

※ **电气性能**

参考标准	UL	IEC
额定电压	300V	250V
额定电流	4A	4A
导线线径	24 -12AWG	2.5 mm ²
耐电压	AC2000V/1Min	

※ **机械性能**

扭力矩	: 0.5Nm(4.4Lb-In.)
环境温度	: -40°C ~ +105°C
剥线长度	: 8mm

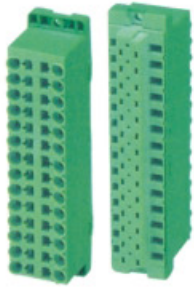
※ **尺寸**

极数	: 32P
----	-------

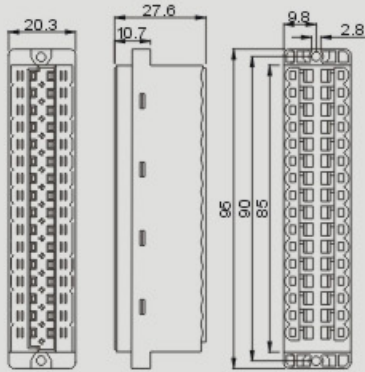
※ **材质和电镀**

塑件	: PA66, UL94V-2
螺丝	: M3, 铜, 镀Cr ⁺ 钝化彩锌
焊针	: 黄铜, 镀锡
方盒	: 黄铜, 镀镍

DEVELOPING



DGFZ-D32



Poles: 32P

APPROVAL :

※ **Electrical**

Standard	: UL	IEC
Rated voltage	: 300V	250V
Rated current	: 4 A	4 A
Wire range	: 24 -12AWG	2.5 mm ²
Withstanding voltage	: AC2000V/1Min	

※ **Mechanical**

Ambient temperature : -30°C ~ +120°C
Strip length : 11mm

※ **Dimensions**

Poles : 32P

※ **Material**

Housing : PBT,UL94V-0
Contact : Phosphor bronze
Wire guard : Stainless steel

※ **电气性能**

参考标准	: UL	IEC
额定电压	: 300V	250V
额定电流	: 4A	4A
导线线径	: 24 -12AWG	2.5 mm ²
耐电压	: AC2000V/1Min	

※ **机械性能**

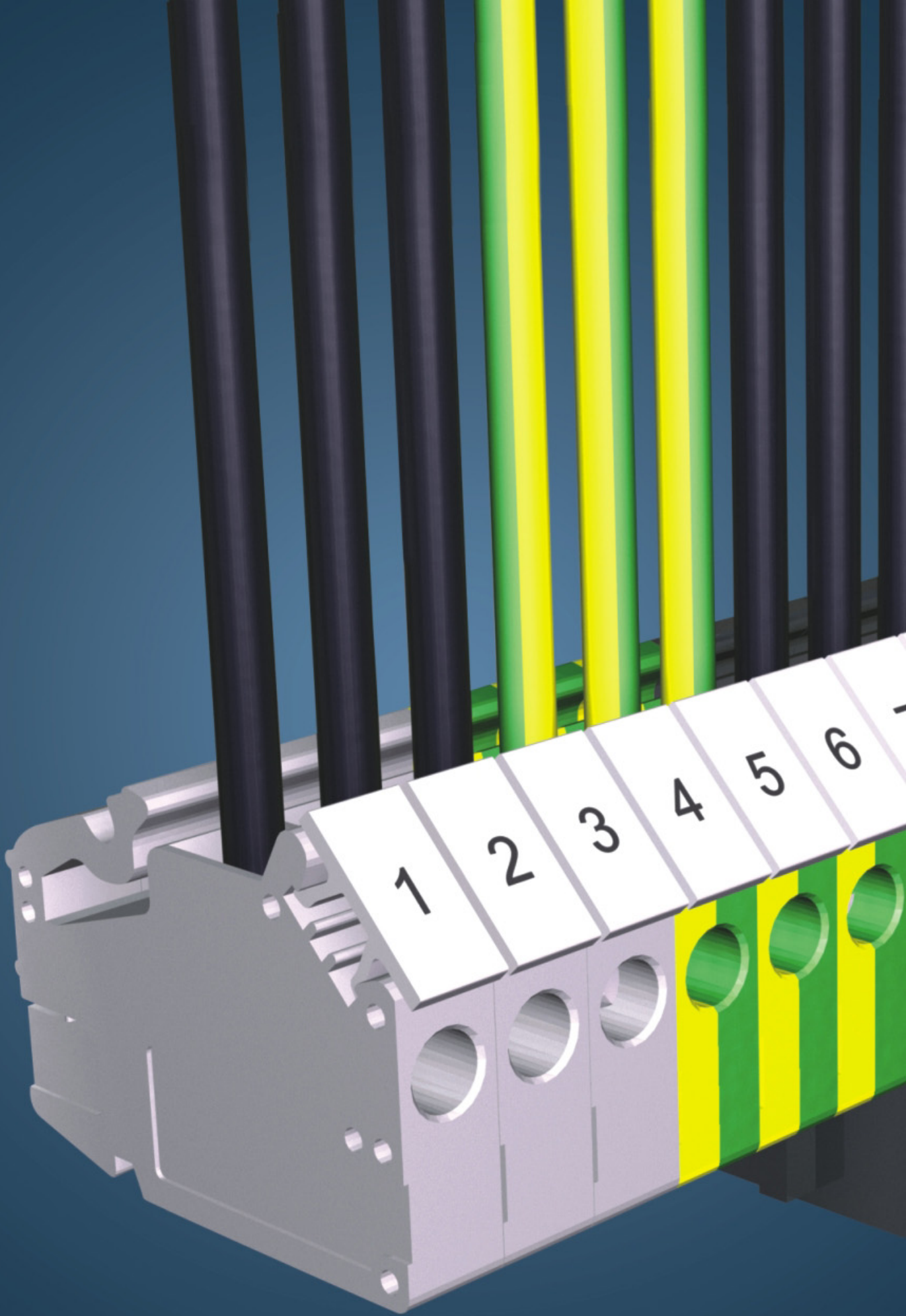
环境温度 : -30°C ~ +120°C
剥线长度 : 11mm

※ **尺寸**

极数 : 32P

※ **材质和电镀**

塑件 : PBT,UL94V-0
触点材料 : 磷青铜
簧片 : 不锈钢

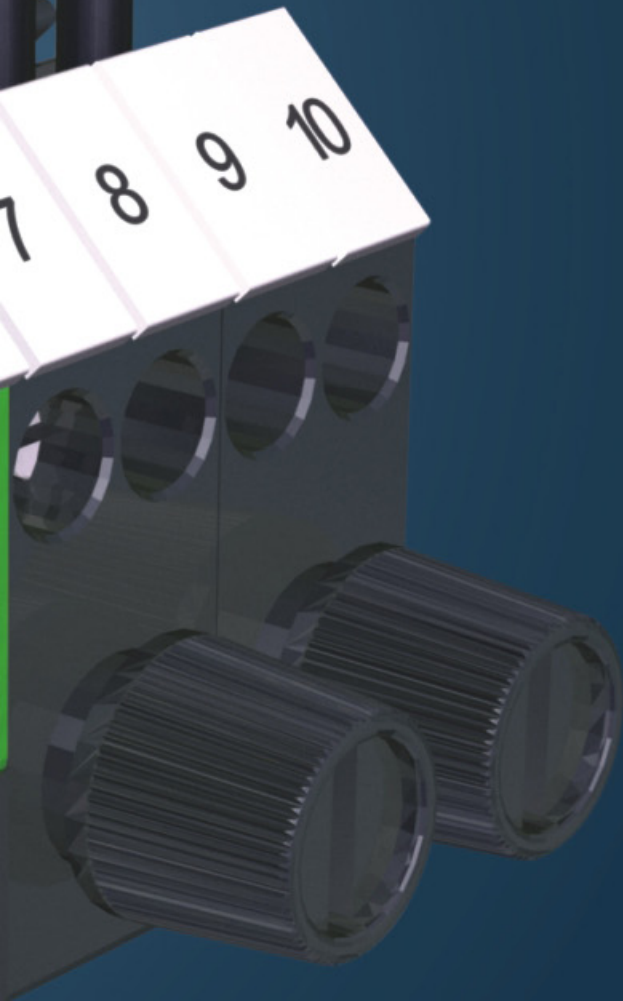


THROUGH-WALL Terminal Blocks

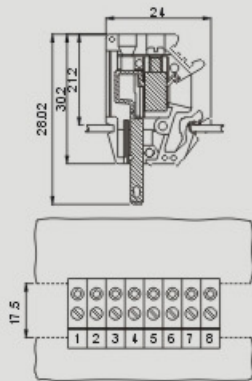
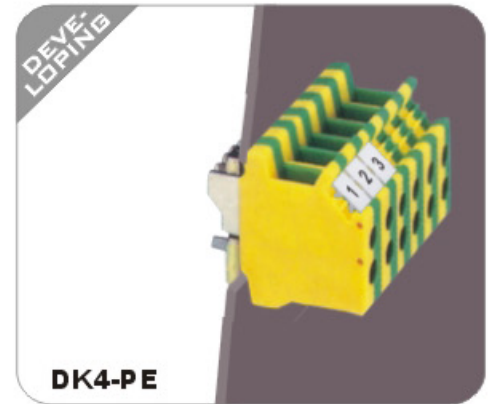
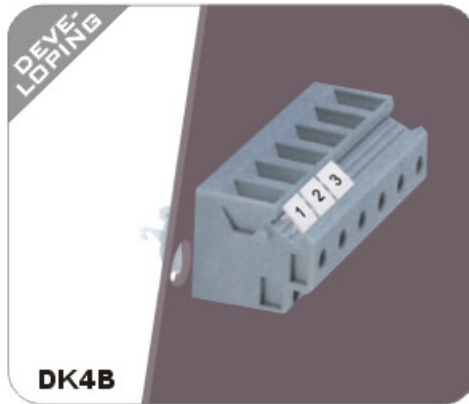
穿墙式接线端子

Through-wall terminal blocks, the design of structure is characterized by the easy connection and extremely high contact strengths. These connectors are available in all types of wires with the size from 0.5mm^2 to 95mm^2 , and designed in accordance with IEC60947, UL1059, UL486E, CSA C22.2 No.158 etc.

穿墙式接线端子，结构设计兼顾了接线方便，螺钉连接牢固的特点，可以连接截面为 0.5mm^2 – 95mm^2 的所有类型的导线，产品设计符合IEC60947、UL1059、UL486E、CSA C22.2 No.158等国际标准。



www.degson.com



APPROVAL :
 ※**Electrical**
 Standard : UL IEC
 Rated voltage : 300V 400V
 Rated current : 15A 17.5A
 Wire range : 24 -10AWG 0.2-4 mm²
 Withstanding voltage : AC2500V/1Min

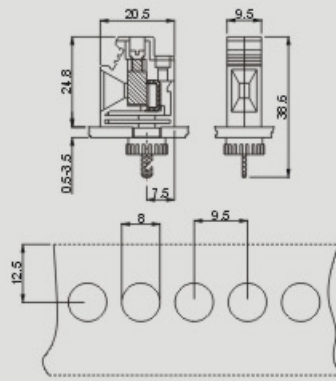
※**Mechanical**
 Torque : 0.5Nm (4.4Lb-In.)
 Ambient temperature : -40°C ~ +105°C
 Strip length : 8mm

※**Material**
 Housing : PA66,UL94V-2
 Screws : M3,Brass,Ni plated
 Contact : Copper,Tin plated
 Cage : Brass,Ni plated

※**电气性能**
 参考标准: UL IEC
 额定电压: 300V 400V
 额定电流: 15A 17.5A
 导线线径: 24 -10AWG 0.2-4 mm²
 耐电压: AC2500V/1Min

※**机械性能**
 扭力矩: 0.5Nm(4.4Lb-In.)
 环境温度: -40°C ~ +105°C
 剥线长度: 8mm

※**材质和电镀**
 塑件: PA66,UL94V-2
 螺丝: M3,黄铜,镀镍
 载流体: 紫铜,镀锡
 方盒: 黄铜,镀镍



APPROVAL :
 ※**Electrical**
 Standard : UL IEC
 Rated voltage : 600V 690V
 Rated current : 30A 17.5A
 Wire range : 24 -10AWG 0.2-4 mm²
 Withstanding voltage : AC3000V/1Min

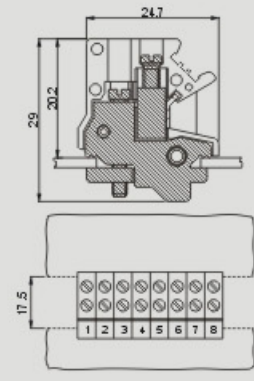
※**Mechanical**
 Torque : 0.5Nm (4.4Lb-In.)
 Ambient temperature : -40°C ~ +105°C
 Strip length : 14mm

※**Material**
 Housing : PA66,UL94V-2
 Screws : M3,Brass,Ni plated
 Contact : Copper,Tin plated
 Cage : Brass,Ni plated

※**电气性能**
 参考标准: UL IEC
 额定电压: 600V 690V
 额定电流: 30A 17.5A
 导线线径: 24 -10AWG 0.2-4 mm²
 耐电压: AC3000V/1Min

※**机械性能**
 扭力矩: 0.5Nm(4.4Lb-In.)
 环境温度: -40°C ~ +105°C
 剥线长度: 14mm

※**材质和电镀**
 塑件: PA66,UL94V-2
 螺丝: M3,黄铜,镀镍
 载流体: 紫铜,镀锡
 方盒: 黄铜,镀镍



APPROVAL :
 ※**Electrical**
 Standard : UL IEC
 Rated voltage :
 Rated current :
 Wire range : 24 -10AWG 0.2-4 mm²
 Withstanding voltage : AC2000V/1Min

※**Mechanical**
 Torque : 0.5Nm (4.4Lb-In.)
 Ambient temperature : -40°C ~ +105°C
 Strip length : 8mm

※**Material**
 Housing : PA66,UL94V-2
 Screws : M3,Brass,Ni plated
 Contact : Copper,Tin plated
 Cage : Brass,Ni plated

※**电气性能**
 参考标准: UL IEC
 额定电压:
 额定电流:
 导线线径: 24 -10AWG 0.2-4 mm²
 耐电压: AC2000V/1Min

※**机械性能**
 扭力矩: 0.5Nm(4.4Lb-In.)
 环境温度: -40°C ~ +105°C
 剥线长度: 18mm

※**材质和电镀**
 塑件: PA66,UL94V-2
 螺丝: M3,黄铜,镀镍
 载流体: 紫铜,镀锡
 方盒: 黄铜,镀镍

DEVE-
LOPING



DK4F

DEVE-
LOPING

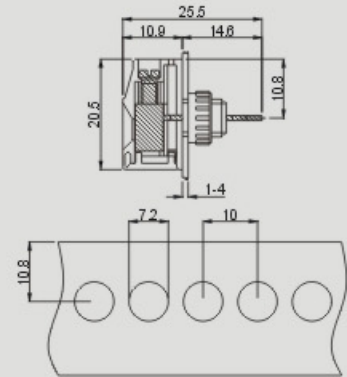
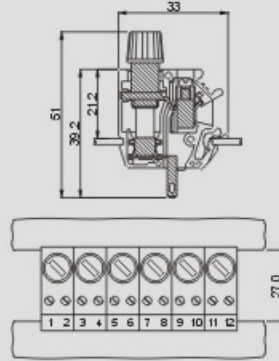
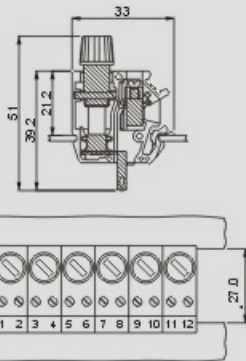


DK4FB

DEVE-
LOPING



DK4R



APPROVAL

※ Electrical		
Standard	UL	IEC
Rated voltage	300V	400V
Rated current	8A	6.3A
Wire range	24 -10AWG 0.2-4 mm ²	
Withstanding voltage	AC2500V/1Min	

※ **Mechanical**

Torque	: 0.5Nm(4.4Lb-In.)
Ambient temperature	: -40°C ~ +105°C
Strip length	: 8mm

※ **Material**

Housing	: PA66,UL94V-2
Screws	: M3,Brass,Ni plated
Contact	: Copper,Tin plated
Cage	: Brass,Ni plated

※ **电气性能**

参考标准:	UL	IEC
额定电压:	300V	400V
额定电流:	8A	6.3A
导线线径:	24 -10AWG 0.2-4 mm ²	
耐电压:	AC2500V/1Min	

※ **机械性能**

扭力矩:	0.5Nm(4.4Lb-In.)
环境温度:	-40°C ~ +105°C
剥线长度:	8mm

※ **材质和电镀**

塑件:	PA66,UL94V-2
螺丝:	M3,黄铜,镀锌
载流体:	紫铜,镀锌
方盒:	黄铜,镀锌

APPROVAL

※ Electrical		
Standard	UL	IEC
Rated voltage	300V	400V
Rated current	8A	17.5A
Wire range	24 -10AWG 0.2-4 mm ²	
Withstanding voltage	AC2500V/1Min	

※ **Mechanical**

Torque	: 0.5Nm(4.4Lb-In.)
Ambient temperature	: -40°C ~ +105°C
Strip length	: 8mm

※ **Material**

Housing	: PA66,UL94V-2
Screws	: M3,Brass,Ni plated
Contact	: Copper,Tin plated
Cage	: Brass,Ni plated

※ **电气性能**

参考标准:	UL	IEC
额定电压:	300V	400V
额定电流:	8A	17.5A
导线线径:	24 -10AWG 0.2-4 mm ²	
耐电压:	AC2500V/1Min	

※ **机械性能**

扭力矩:	0.5Nm(4.4Lb-In.)
环境温度:	-40°C ~ +105°C
剥线长度:	8mm

※ **材质和电镀**

塑件:	PA66,UL94V-2
螺丝:	M3,黄铜,镀锌
载流体:	紫铜,镀锌
方盒:	黄铜,镀锌

APPROVAL

※ Electrical		
Standard	UL	IEC
Rated voltage	300V	500V
Rated current	30A	32A
Wire range	24 -10AWG 0.2-4 mm ²	
Withstanding voltage	AC3000V/1Min	

※ **Mechanical**

Torque	: 0.5Nm(4.4Lb-In.)
Ambient temperature	: -40°C ~ +105°C
Strip length	: 8mm

※ **Material**

Housing	: PA66,UL94V-0
Screws	: M3,Brass,Ni plated
Contact	: Copper,Tin plated
Cage	: Brass,Ni plated

※ **电气性能**

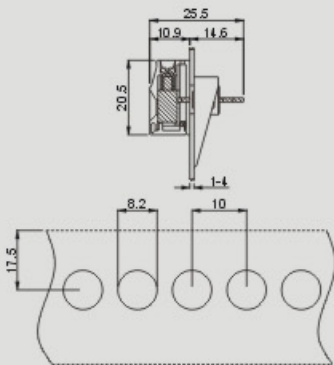
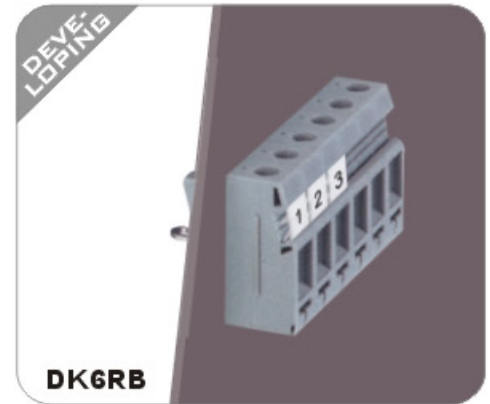
参考标准:	UL	IEC
额定电压:	300V	500V
额定电流:	30A	32A
导线线径:	24 -10AWG 0.2-4 mm ²	
耐电压:	AC3000V/1Min	

※ **机械性能**

扭力矩:	0.5Nm(4.4Lb-In.)
环境温度:	-40°C ~ +105°C
剥线长度:	8mm

※ **材质和电镀**

塑件:	PA66,UL94V-0
螺丝:	M3,黄铜,镀锌
载流体:	紫铜,镀锌
方盒:	黄铜,镀锌



APPROVAL :
 ※ **Electrical**
 Standard : UL IEC
 Rated voltage : 300V 500V
 Rated current : 30A 32A
 Wire range : 24 -10AWG 0.2-4 mm²
 Withstanding voltage : AC3000V/1Min

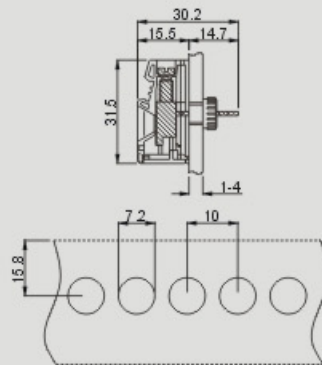
※ **Mechanical**
 Torque : 0.5Nm(4.4Lb-In.)
 Ambient temperature : -40°C~ +105°C
 Strip length : 8mm

※ **Material**
 Housing : PA66,UL94V-0
 Screws : M3,Brass,Ni plated
 Contact : Copper,Tin plated
 Cage : Brass,Ni plated

※ **电气性能**
 参考标准: UL IEC
 额定电压: 300V 500V
 额定电流: 30A 32A
 导线线径: 24 -10AWG 0.2-4 mm²
 耐电压: AC3000V/1Min

※ **机械性能**
 扭力矩: 0.5Nm(4.4Lb-In.)
 环境温度: -40°C~ +105°C
 剥线长度: 8mm

※ **材质和电镀**
 塑件: PA66,UL94V-0
 螺丝: M3,黄铜,镀镍
 载流体: 紫铜,镀锡
 方盒: 黄铜,镀镍



APPROVAL :
 ※ **Electrical**
 Standard : UL IEC
 Rated voltage : 300V 500V
 Rated current : 10A 41A
 Wire range : 24 -8AWG 0.2-6 mm²
 Withstanding voltage : AC3000V/1Min

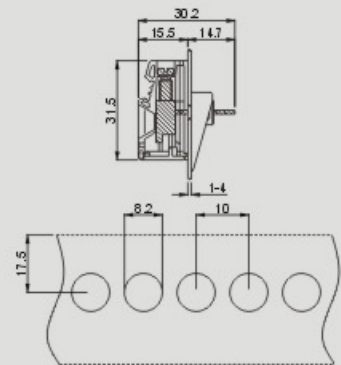
※ **Mechanical**
 Torque : 1.2Nm(10.5Lb-In.)
 Ambient temperature : -40°C~ +105°C
 Strip length : 9mm

※ **Material**
 Housing : PA66,UL94V-0
 Screws : M4,Brass,Ni plated
 Contact : Copper,Tin plated
 Cage : Brass,Ni plated

※ **电气性能**
 参考标准: UL IEC
 额定电压: 300V 500V
 额定电流: 10A 41A
 导线线径: 24 -8AWG 0.2-6 mm²
 耐电压: AC3000V/1Min

※ **机械性能**
 扭力矩: 1.2Nm(10.5Lb-In.)
 环境温度: -40°C~ +105°C
 剥线长度: 9mm

※ **材质和电镀**
 塑件: PA66,UL94V-0
 螺丝: M4,黄铜,镀镍
 载流体: 紫铜,镀锡
 方盒: 黄铜,镀镍



APPROVAL :
 ※ **Electrical**
 Standard : UL IEC
 Rated voltage : 600V 500V
 Rated current : 50A 41A
 Wire range : 24 -8AWG 0.2-6 mm²
 Withstanding voltage : AC3000V/1Min

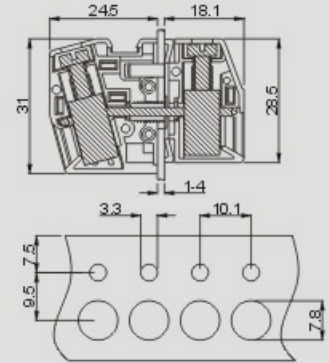
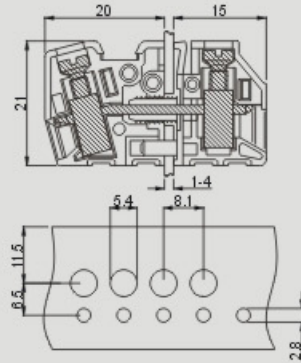
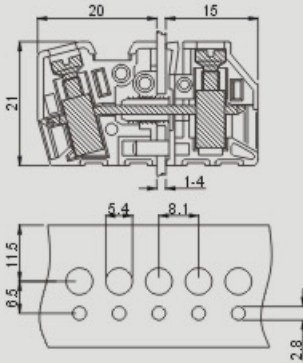
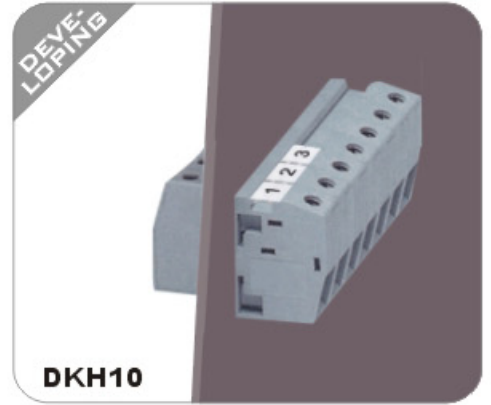
※ **Mechanical**
 Torque : 1.2Nm(10.5Lb-In.)
 Ambient temperature : -40°C~ +105°C
 Strip length : 9mm

※ **Material**
 Housing : PA66,UL94V-0
 Screws : M4,Brass,Ni plated
 Contact : Copper,Tin plated
 Cage : Brass,Ni plated

※ **电气性能**
 参考标准: UL IEC
 额定电压: 600V 500V
 额定电流: 50A 41A
 导线线径: 24 -8AWG 0.2-6 mm²
 耐电压: AC3000V/1Min

※ **机械性能**
 扭力矩: 1.2Nm(10.5Lb-In.)
 环境温度: -40°C~ +105°C
 剥线长度: 9mm

※ **材质和电镀**
 塑件: PA66,UL94V-0
 螺丝: M4,黄铜,镀镍
 载流体: 紫铜,镀锡
 方盒: 黄铜,镀镍



APPROVAL :
 ※ **Electrical**
 Standard : UL IEC
 Rated voltage : 300V 400V
 Rated current : 30A 32A
 Wire range : 24 -10AWG 0.2-4 mm²
 Withstanding voltage: AC2500V/1Min

※ **Mechanical**
 Torque : 0.5Nm(4.4Lb-In.)
 Ambient temperature: -40°C~+105°C
 Strip length : 9mm

※ **Material**
 Housing : PA66,UL94V-0
 Screws : M3,Brass,Ni plated
 Contact : Copper,Tin plated
 Cage : Brass,Ni plated

※ **电气性能**
 参考标准: UL IEC
 额定电压: 300V 400V
 额定电流: 30A 32A
 导线线径: 24 -10AWG 0.2-4 mm²
 耐电压: AC2500V/1Min

※ **机械性能**
 扭力矩: 0.5Nm(4.4Lb-In.)
 环境温度: -40°C~+105°C
 剥线长度: 9mm

※ **材质和电镀**
 塑件 : PA66,UL94V-0
 螺丝 : M3,黄铜,镀锌
 载流体 : 紫铜,镀锡
 方盒 : 黄铜,镀锌

APPROVAL :
 ※ **Electrical**
 Standard : UL IEC
 Rated voltage : 300V 400V
 Rated current : 30A 32A
 Wire range : 24 -10AWG 0.2-4 mm²
 Withstanding voltage: AC2500V/1Min

※ **Mechanical**
 Torque : 0.5Nm(4.4Lb-In.)
 Ambient temperature: -40°C~+105°C
 Strip length : 9mm

※ **Material**
 Housing : PA66,UL94V-0
 Screws : M3,Brass,Ni plated
 Contact : Copper,Tin plated
 Cage : Brass,Ni plated

※ **电气性能**
 参考标准: UL IEC
 额定电压: 300V 400V
 额定电流: 30A 32A
 导线线径: 24 -10AWG 0.2-4 mm²
 耐电压: AC2500V/1Min

※ **机械性能**
 扭力矩: 0.5Nm(4.4Lb-In.)
 环境温度: -40°C~+105°C
 剥线长度: 9mm

※ **材质和电镀**
 塑件 : PA66,UL94V-0
 螺丝 : M3,黄铜,镀锌
 载流体 : 紫铜,镀锡
 方盒 : 黄铜,镀锌

APPROVAL :
 ※ **Electrical**
 Standard : UL IEC
 Rated voltage : 300V 400V
 Rated current : 65A 57A
 Wire range : 20 -6AWG 0.5-10 mm²
 Withstanding voltage: AC2500V/1Min

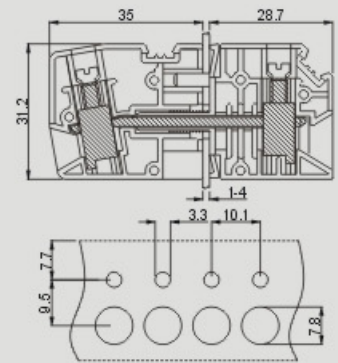
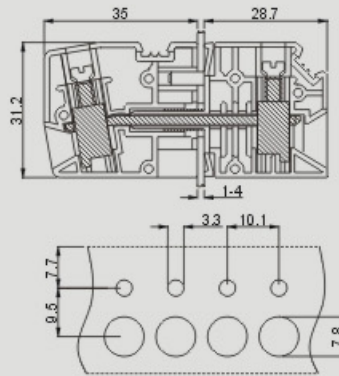
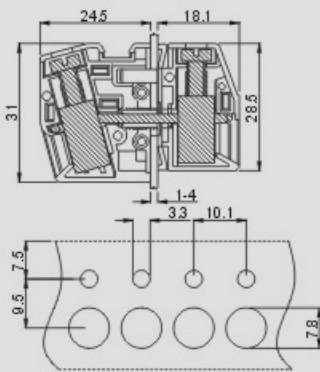
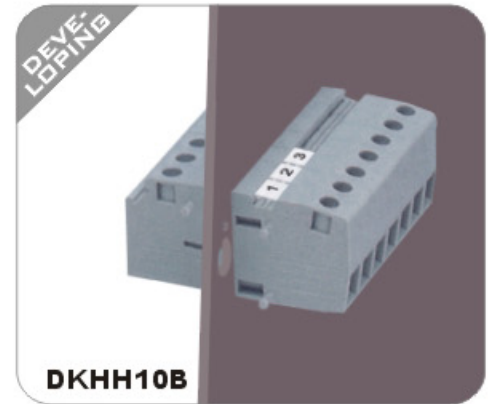
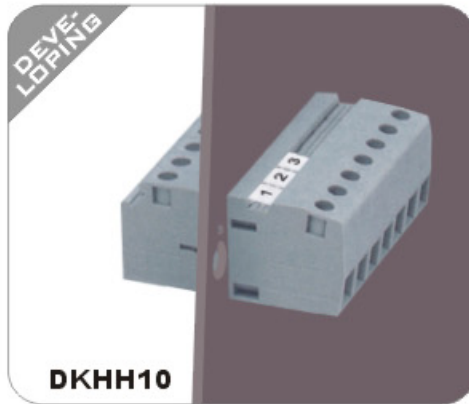
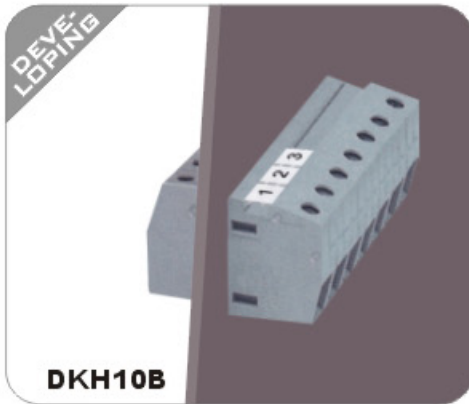
※ **Mechanical**
 Torque : 1.2Nm(10.5Lb-In.)
 Ambient temperature: -40°C~+105°C
 Strip length : 10mm

※ **Material**
 Housing : PA66,UL94V-0
 Screws : M4,Brass,Ni plated
 Contact : Copper,Tin plated
 Cage : Brass,Ni plated

※ **电气性能**
 参考标准: UL IEC
 额定电压: 300V 400V
 额定电流: 65A 57A
 导线线径: 20 -6AWG 0.5-10 mm²
 耐电压: AC2500V/1Min

※ **机械性能**
 扭力矩: 1.2Nm(10.5Lb-In.)
 环境温度: -40°C~+105°C
 剥线长度: 10mm

※ **材质和电镀**
 塑件 : PA66,UL94V-0
 螺丝 : M4,黄铜,镀锌
 载流体 : 紫铜,镀锡
 方盒 : 黄铜,镀锌



APPROVAL :
 ※ **Electrical**
 Standard : UL IEC
 Rated voltage : 300V 400V
 Rated current : 65A 57A
 Wire range : 20 -6AWG 0.5-10 mm²
 Withstanding voltage : AC2500V/1Min

※ **Mechanical**
 Torque : 1.2Nm(10.5Lb-In.)
 Ambient temperature : -40°C ~ +105°C
 Strip length : 10mm

※ **Material**
 Housing : PA66, UL94V-0
 Screws : M4, Brass, Ni plated
 Contact : Copper, Tin plated
 Cage : Brass, Ni plated

※ **电气性能**
 参考标准: UL IEC
 额定电压: 300V 400V
 额定电流: 65A 57A
 导线线径: 20 -6AWG 0.5-10 mm²
 耐电压: AC2500V/1Min

※ **机械性能**
 扭力矩: 1.2Nm(10.5Lb-In.)
 环境温度: -40°C ~ +105°C
 剥线长度: 10mm

※ **材质和电镀**
 塑件 : PA66, UL94V-0
 螺丝 : M4, 黄铜, 镀镍
 载流体 : 紫铜, 镀锡
 方盒 : 黄铜, 镀镍

APPROVAL :
 ※ **Electrical**
 Standard : UL IEC
 Rated voltage : 600V 1000V
 Rated current : 65A 57A
 Wire range : 20 -6AWG 0.5-10 mm²
 Withstanding voltage : AC3500V/1Min

※ **Mechanical**
 Torque : 1.2Nm(10.5Lb-In.)
 Ambient temperature : -40°C ~ +105°C
 Strip length : 10mm

※ **Material**
 Housing : PA66, UL94V-0
 Screws : M4, Brass, Ni plated
 Contact : Copper, Tin plated
 Cage : Brass, Ni plated

※ **电气性能**
 参考标准: UL IEC
 额定电压: 600V 1000V
 额定电流: 65A 57A
 导线线径: 20 -6AWG 0.5-10 mm²
 耐电压: AC3500V/1Min

※ **机械性能**
 扭力矩: 1.2Nm(10.5Lb-In.)
 环境温度: -40°C ~ +105°C
 剥线长度: 10mm

※ **材质和电镀**
 塑件 : PA66, UL94V-0
 螺丝 : M4, 黄铜, 镀镍
 载流体 : 紫铜, 镀锡
 方盒 : 黄铜, 镀镍

APPROVAL :
 ※ **Electrical**
 Standard : UL IEC
 Rated voltage : 600V 1000V
 Rated current : 65A 57A
 Wire range : 20 -6AWG 0.5-10 mm²
 Withstanding voltage : AC3500V/1Min

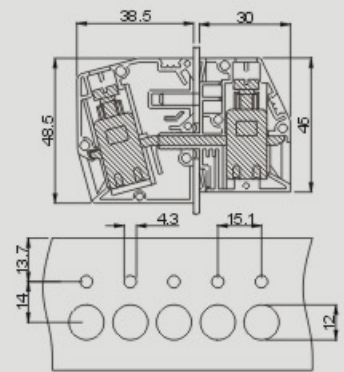
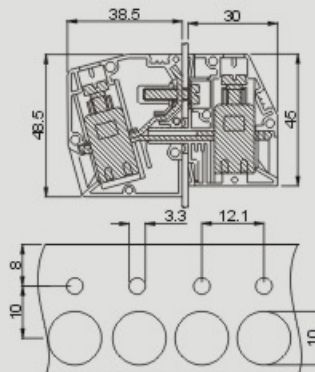
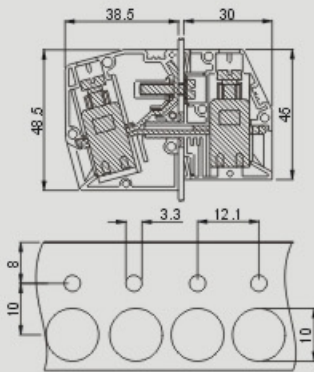
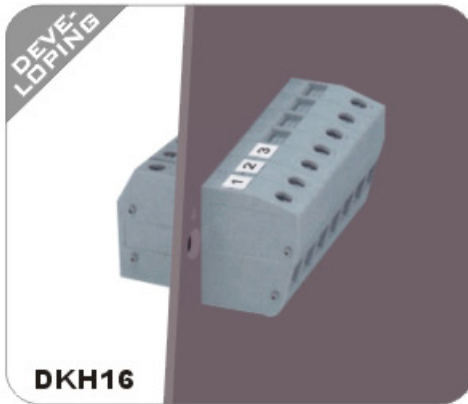
※ **Mechanical**
 Torque : 1.2Nm(10.5Lb-In.)
 Ambient temperature : -40°C ~ +105°C
 Strip length : 10mm

※ **Material**
 Housing : PA66, UL94V-0
 Screws : M4, Brass, Ni plated
 Contact : Copper, Tin plated
 Cage : Brass, Ni plated

※ **电气性能**
 参考标准: UL IEC
 额定电压: 600V 1000V
 额定电流: 65A 57A
 导线线径: 20 -6AWG 0.5-10 mm²
 耐电压: AC3500V/1Min

※ **机械性能**
 扭力矩: 1.2Nm(10.5Lb-In.)
 环境温度: -40°C ~ +105°C
 剥线长度: 10mm

※ **材质和电镀**
 塑件 : PA66, UL94V-0
 螺丝 : M4, 黄铜, 镀镍
 载流体 : 紫铜, 镀锡
 方盒 : 黄铜, 镀镍



APPROVAL :
 ※ **Electrical**
 Standard : UL IEC
 Rated voltage : 600V 500V
 Rated current : 85A 76A
 Wire range : 20 -4AWG 0.5-16 mm²
 Withstanding voltage : AC3000V/1Min

※ **Mechanical**
 Torque : 2.0Nm(17.5Lb-In.)
 Ambient temperature : -40°C ~ +105°C
 Strip length : 16mm

※ **Material**
 Housing : PA66,UL94V-0
 Screws : M5,Brass,Ni plated
 Contact : Copper,Tin plated
 Cage : Steel,Cr⁺⁺ Zn plated

※ **电气性能**
 参考标准: UL IEC
 额定电压: 600V 500V
 额定电流: 85A 76A
 导线线径: 20 -4AWG 0.5-16 mm²
 耐电压: AC3000V/1Min

※ **机械性能**
 扭力矩: 2.0Nm(17.5Lb-In.)
 环境温度: -40°C ~ +105°C
 剥线长度: 16mm

※ **材质和电镀**
 塑件 : PA66,UL94V-0
 螺丝 : M5,黄铜,镀锌
 载流体 : 紫铜,镀锌
 方盒 : 钢,镀Cr⁺⁺钝化彩锌

APPROVAL :
 ※ **Electrical**
 Standard : UL IEC
 Rated voltage : 600V 500V
 Rated current : 85A 76A
 Wire range : 20 -4AWG 0.5-16 mm²
 Withstanding voltage : AC3000V/1Min

※ **Mechanical**
 Torque : 2.0Nm(17.5Lb-In.)
 Ambient temperature : -40°C ~ +105°C
 Strip length : 16mm

※ **Material**
 Housing : PA66,UL94V-0
 Screws : M5,Brass,Ni plated
 Contact : Copper,Tin plated
 Cage : Steel,Cr⁺⁺ Zn plated

※ **电气性能**
 参考标准: UL IEC
 额定电压: 600V 500V
 额定电流: 85A 76A
 导线线径: 20 -4AWG 0.5-16 mm²
 耐电压: AC3000V/1Min

※ **机械性能**
 扭力矩: 2.0Nm(17.5Lb-In.)
 环境温度: -40°C ~ +105°C
 剥线长度: 16mm

※ **材质和电镀**
 塑件 : PA66,UL94V-0
 螺丝 : M5,黄铜,镀锌
 载流体 : 紫铜,镀锌
 方盒 : 钢,镀Cr⁺⁺钝化彩锌

APPROVAL :
 ※ **Electrical**
 Standard : UL IEC
 Rated voltage : 600V 500V
 Rated current : 115A 101A
 Wire range : 10 -2AWG 10-25 mm²
 Withstanding voltage : AC3000V/1Min

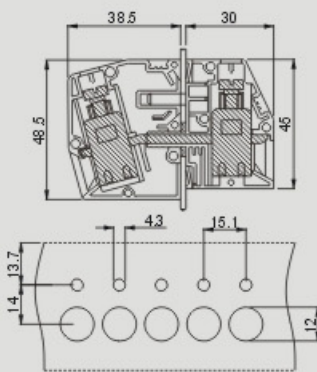
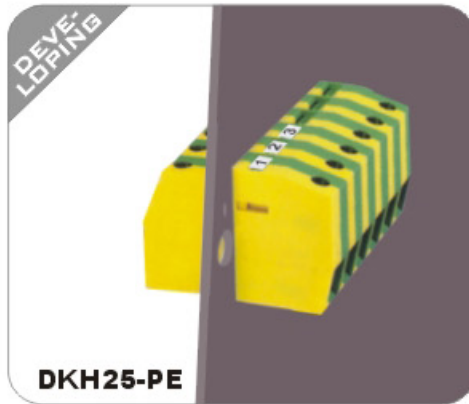
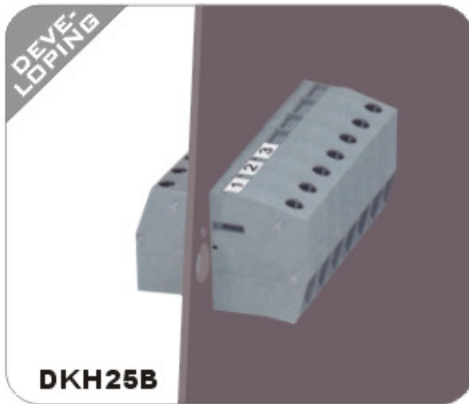
※ **Mechanical**
 Torque : 2.0Nm(17.5Lb-In.)
 Ambient temperature : -40°C ~ +105°C
 Strip length : 19mm

※ **Material**
 Housing : PA66,UL94V-0
 Screws : M5,Brass,Ni plated
 Contact : Copper,Tin plated
 Cage : Steel,Cr⁺⁺ Zn plated

※ **电气性能**
 参考标准: UL IEC
 额定电压: 600V 500V
 额定电流: 115A 101A
 导线线径: 10 -2AWG 10-25 mm²
 耐电压: AC3000V/1Min

※ **机械性能**
 扭力矩: 2.0Nm(17.5Lb-In.)
 环境温度: -40°C ~ +105°C
 剥线长度: 19mm

※ **材质和电镀**
 塑件 : PA66,UL94V-0
 螺丝 : M5,黄铜,镀锌
 载流体 : 紫铜,镀锌
 方盒 : 钢,镀Cr⁺⁺钝化彩锌



APPROVAL :
 ※ **Electrical**
 Standard : UL IEC
 Rated voltage : 600V 500V
 Rated current : 115A 101A
 Wire range : 10 -2AWG 10-25 mm²
 Withstanding voltage : AC3000V/1Min

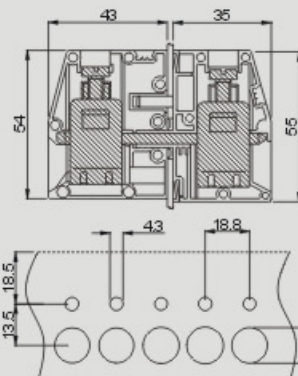
※ **Mechanical**
 Torque : 2.0Nm(17.5Lb-In.)
 Ambient temperature : -40°C ~ +105°C
 Strip length : 19mm

※ **Material**
 Housing : PA66,UL94V-0
 Screws : M5,Brass,Ni plated
 Contact : Copper,Tin plated
 Cage : Steel,Cr⁺⁺ Zn plated

※ **电气性能**
 参考标准: UL IEC
 额定电压: 600V 500V
 额定电流: 115A 101A
 导线线径: 10 -2AWG 10-25 mm²
 耐电压: AC3000V/1Min

※ **机械性能**
 扭力矩: 2.0Nm(17.5Lb-In.)
 环境温度: -40°C ~ +105°C
 剥线长度: 19mm

※ **材质和电镀**
 塑件 : PA66,UL94V-0
 螺丝 : M5,黄铜,镀镍
 载流体 : 紫铜,镀锡
 方盒 : 钢,镀Cr⁺⁺钝化彩锌



APPROVAL :
 ※ **Electrical**
 Standard : UL IEC
 Rated voltage :
 Rated current :
 Wire range : 10 -2AWG 10-25 mm²
 Withstanding voltage : AC3000V/1Min

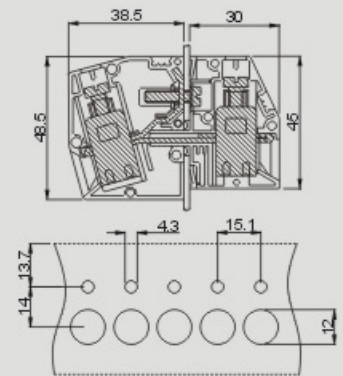
※ **Mechanical**
 Torque : 2.0Nm(17.5Lb-In.)
 Ambient temperature : -40°C ~ +105°C
 Strip length : 19mm

※ **Material**
 Housing : PA66,UL94V-0
 Screws : M5,Brass,Ni plated
 Contact : Copper,Tin plated
 Cage : Steel,Cr⁺⁺ Zn plated

※ **电气性能**
 参考标准: UL IEC
 额定电压:
 额定电流:
 导线线径: 10 -2AWG 10-25 mm²
 耐电压: AC3000V/1Min

※ **机械性能**
 扭力矩: 2.0Nm(17.5Lb-In.)
 环境温度: -40°C ~ +105°C
 剥线长度: 19mm

※ **材质和电镀**
 塑件 : PA66,UL94V-0
 螺丝 : M5,黄铜,镀镍
 载流体 : 紫铜,镀锡
 方盒 : 钢,镀Cr⁺⁺钝化彩锌



APPROVAL :
 ※ **Electrical**
 Standard : UL IEC
 Rated voltage : 600V 690V
 Rated current : 150A 150A
 Wire range : 6 -1/0AWG 16-50 mm²
 Withstanding voltage : AC3000V/1Min

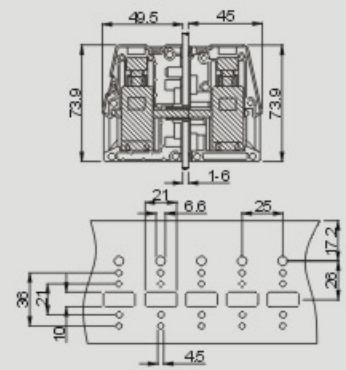
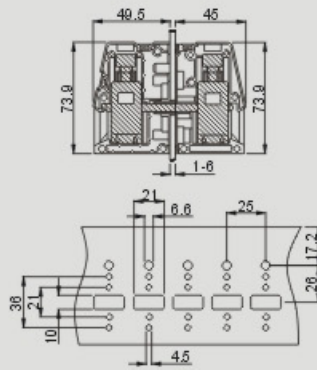
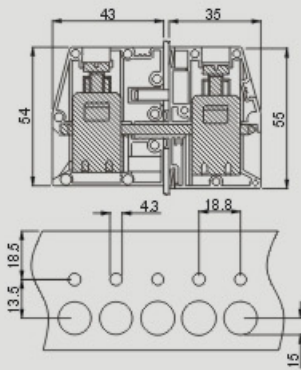
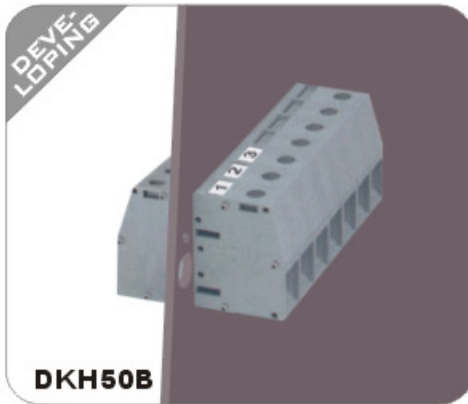
※ **Mechanical**
 Torque : 2.5Nm(22.15Lb-In.)
 Ambient temperature : -40°C ~ +105°C
 Strip length : 24mm

※ **Material**
 Housing : PA66,UL94V-0
 Screws : M6,Brass,Ni plated
 Contact : Copper,Tin plated
 Cage : Steel,Cr⁺⁺ Zn plated

※ **电气性能**
 参考标准: UL IEC
 额定电压: 600V 690V
 额定电流: 150A 150A
 导线线径: 6 -1/0AWG 16-50 mm²
 耐电压: AC3000V/1Min

※ **机械性能**
 扭力矩: 2.5Nm(22.15Lb-In.)
 环境温度: -40°C ~ +105°C
 剥线长度: 24mm

※ **材质和电镀**
 塑件 : PA66,UL94V-0
 螺丝 : M6,黄铜,镀镍
 载流体 : 紫铜,镀锡
 方盒 : 钢,镀Cr⁺⁺钝化彩锌



APPROVAL :
 ※ **Electrical**
 Standard : UL IEC
 Rated voltage : 600V 690V
 Rated current : 150A 150A
 Wire range : 6 -1/0AWG 16-50 mm²
 Withstanding voltage : AC3000V/1Min

※ **Mechanical**
 Torque : 2.5Nm(22.15Lb-In.)
 Ambient temperature : -40°C ~ +105°C
 Strip length : 24mm

※ **Material**
 Housing : PA66,UL94V-0
 Screws : M6,Brass,Ni plated
 Contact : Copper,Tin plated
 Cage : Steel,Cr⁺ Zn plated

※ **电气性能**
 参考标准: UL IEC
 额定电压: 600V 690V
 额定电流: 150A 150A
 导线线径: 6 -1/0AWG 16-50 mm²
 耐电压: AC3000V/1Min

※ **机械性能**
 扭力矩: 2.5Nm(22.15Lb-In.)
 环境温度: -40°C ~ +105°C
 剥线长度: 24mm

※ **材质和电镀**
 塑件 : PA66,UL94V-0
 螺丝 : M6,黄铜,镀锌
 载流体 : 紫铜,镀锌
 方盒 : 钢,镀Cr⁺钝化彩锌

APPROVAL :
 ※ **Electrical**
 Standard : UL IEC
 Rated voltage : 600V 1000V
 Rated current : 230A 232A
 Wire range : 4 -2/0AWG 35-95 mm²
 Withstanding voltage : AC3500V/1Min

※ **Mechanical**
 Torque : 3.5Nm(31Lb-In.)
 Ambient temperature : -40°C ~ +105°C
 Strip length : 27mm

※ **Material**
 Housing : PA66,UL94V-0
 Screws : M8,Brass,Ni plated
 Contact : Copper,Tin plated
 Cage : Steel,Cr⁺ Zn plated

※ **电气性能**
 参考标准: UL IEC
 额定电压: 600V 1000V
 额定电流: 230A 232A
 导线线径: 4 -2/0AWG 35-95 mm²
 耐电压: AC3500V/1Min

※ **机械性能**
 扭力矩: 3.5Nm(31Lb-In.)
 环境温度: -40°C ~ +105°C
 剥线长度: 27mm

※ **材质和电镀**
 塑件 : PA66,UL94V-0
 螺丝 : M8,黄铜,镀锌
 载流体 : 紫铜,镀锌
 方盒 : 钢,镀Cr⁺钝化彩锌

APPROVAL :
 ※ **Electrical**
 Standard : UL IEC
 Rated voltage : 600V 1000V
 Rated current : 230A 232A
 Wire range : 4 -2/0AWG 35-95 mm²
 Withstanding voltage : AC3500V/1Min

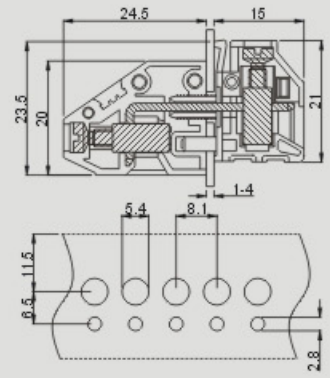
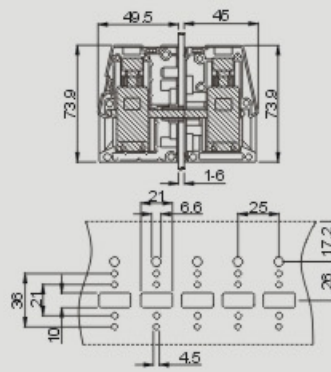
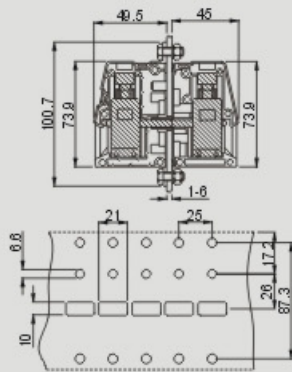
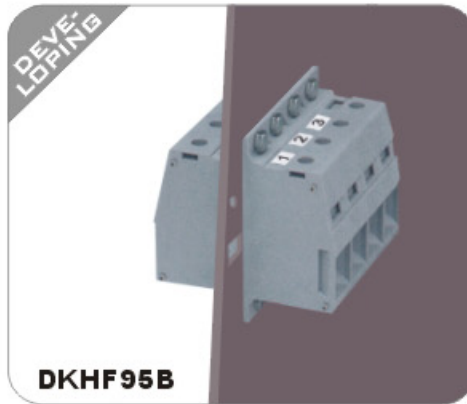
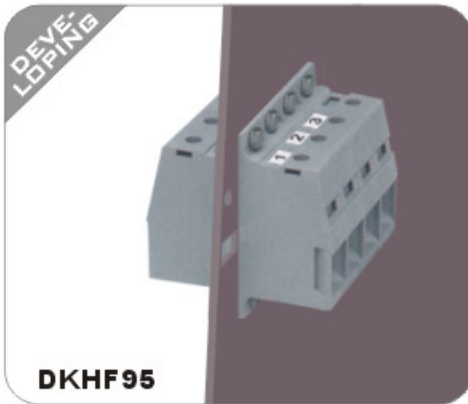
※ **Mechanical**
 Torque : 3.5Nm(31Lb-In.)
 Ambient temperature : -40°C ~ +105°C
 Strip length : 27mm

※ **Material**
 Housing : PA66,UL94V-0
 Screws : M8,Brass,Ni plated
 Contact : Copper,Tin plated
 Cage : Steel,Cr⁺ Zn plated

※ **电气性能**
 参考标准: UL IEC
 额定电压: 600V 1000V
 额定电流: 230A 232A
 导线线径: 4 -2/0AWG 35-95 mm²
 耐电压: AC3500V/1Min

※ **机械性能**
 扭力矩: 3.5Nm(31Lb-In.)
 环境温度: -40°C ~ +105°C
 剥线长度: 27mm

※ **材质和电镀**
 塑件 : PA66,UL94V-0
 螺丝 : M8,黄铜,镀锌
 载流体 : 紫铜,镀锌
 方盒 : 钢,镀Cr⁺钝化彩锌



APPROVAL :
 ※ **Electrical**
 Standard : UL IEC
 Rated voltage : 600V 1000V
 Rated current : 230A 232A
 Wire range : 4 -2/0AWG 35-95 mm²
 Withstanding voltage : AC3500V/1Min

※ **Mechanical**
 Torque : 3.5Nm(31Lb-In.)
 Ambient temperature : -40°C ~ +105°C
 Strip length : 27mm

※ **Material**
 Housing : PA66, UL94V-0
 Screws : M8, Brass, Ni plated
 Contact : Copper, Tin plated
 Cage : Steel, Cr⁺⁺ Zn plated

※ **电气性能**
 参考标准: UL IEC
 额定电压: 600V 1000V
 额定电流: 230A 232A
 导线线径: 4 -2/0AWG 35-95 mm²
 耐电压: AC3500V/1Min

※ **机械性能**
 扭力矩: 3.5Nm(31Lb-In.)
 环境温度: -40°C ~ +105°C
 剥线长度: 27mm

※ **材质和电镀**
 塑件 : PA66, UL94V-0
 螺丝 : M8, 黄铜, 镀镍
 载流体 : 紫铜, 镀锡
 方盒 : 钢, 镀Cr⁺⁺钝化彩锌

APPROVAL :
 ※ **Electrical**
 Standard : UL IEC
 Rated voltage : 600V 1000V
 Rated current : 230A 232A
 Wire range : 4 -2/0AWG 35-95 mm²
 Withstanding voltage : AC3500V/1Min

※ **Mechanical**
 Torque : 3.5Nm(31Lb-In.)
 Ambient temperature : -40°C ~ +105°C
 Strip length : 27mm

※ **Material**
 Housing : PA66, UL94V-0
 Screws : M8, Brass, Ni plated
 Contact : Copper, Tin plated
 Cage : Steel, Cr⁺⁺ Zn plated

※ **电气性能**
 参考标准: UL IEC
 额定电压: 600V 1000V
 额定电流: 230A 232A
 导线线径: 4 -2/0AWG 35-95 mm²
 耐电压: AC3500V/1Min

※ **机械性能**
 扭力矩: 3.5Nm(31Lb-In.)
 环境温度: -40°C ~ +105°C
 剥线长度: 27mm

※ **材质和电镀**
 塑件 : PA66, UL94V-0
 螺丝 : M8, 黄铜, 镀镍
 载流体 : 紫铜, 镀锡
 方盒 : 钢, 镀Cr⁺⁺钝化彩锌

APPROVAL :
 ※ **Electrical**
 Standard : UL IEC
 Rated voltage : 300V 400V
 Rated current : 30A 32A
 Wire range : 24 -10AWG 0.2-4 mm²
 Withstanding voltage : AC2500V/1Min

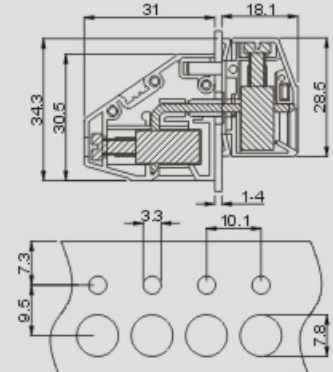
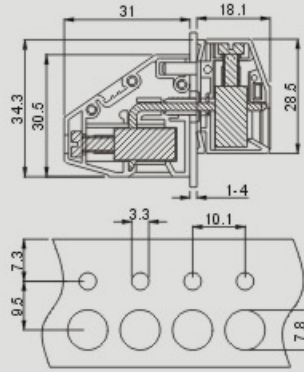
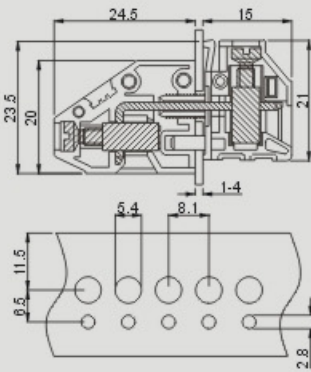
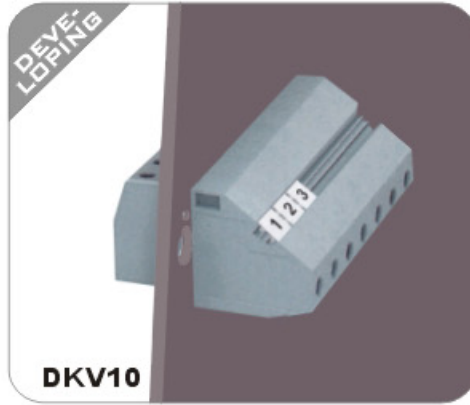
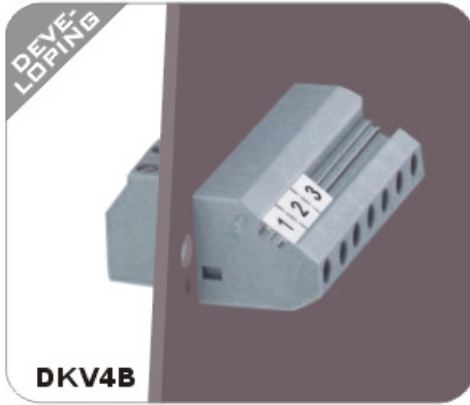
※ **Mechanical**
 Torque : 0.5Nm(4.4Lb-In.)
 Ambient temperature : -40°C ~ +105°C
 Strip length : 9mm

※ **Material**
 Housing : PA66, UL94V-0
 Screws : M3, Brass, Ni plated
 Contact : Copper, Tin plated
 Cage : Brass, Ni plated

※ **电气性能**
 参考标准: UL IEC
 额定电压: 300V 400V
 额定电流: 30A 32A
 导线线径: 24 -10AWG 0.2-4 mm²
 耐电压: AC2500V/1Min

※ **机械性能**
 扭力矩: 0.5Nm(4.4Lb-In.)
 环境温度: -40°C ~ +105°C
 剥线长度: 9mm

※ **材质和电镀**
 塑件 : PA66, UL94V-0
 螺丝 : M3, 黄铜, 镀镍
 载流体 : 紫铜, 镀锡
 方盒 : 黄铜, 镀镍



APPROVAL :
 ※ **Electrical**
 Standard : UL IEC
 Rated voltage : 300V 400V
 Rated current : 30A 32A
 Wire range : 24 -10AWG 0.2-4 mm²
 Withstanding voltage: AC2500V/1Min

※ **Mechanical**
 Torque : 0.5Nm(4.4Lb-In.)
 Ambient temperature: -40°C~+105°C
 Strip length : 9mm

※ **Material**
 Housing : PA66,UL94V-0
 Screws : M3,Brass,Ni plated
 Contact : Copper,Tin plated
 Cage : Brass,Ni plated

※ **电气性能**
 参考标准: UL IEC
 额定电压: 300V 400V
 额定电流: 30A 32A
 导线线径: 24 -10AWG 0.2-4 mm²
 耐电压: AC2500V/1Min

※ **机械性能**
 扭力矩: 0.5Nm(4.4Lb-In.)
 环境温度: -40°C~+105°C
 剥线长度: 9mm

※ **材质和电镀**
 塑件 : PA66,UL94V-0
 螺丝 : M3,黄铜,镀镍
 载流体 : 紫铜,镀锡
 方盒 : 黄铜,镀镍

APPROVAL :
 ※ **Electrical**
 Standard : UL IEC
 Rated voltage : 300V 400V
 Rated current : 65A 57A
 Wire range : 20 -6AWG 0.5-10 mm²
 Withstanding voltage: AC2500V/1Min

※ **Mechanical**
 Torque : 1.2Nm(10.5Lb-In.)
 Ambient temperature: -40°C~+105°C
 Strip length : 11mm

※ **Material**
 Housing : PA66,UL94V-0
 Screws : M4,Brass,Ni plated
 Contact : Copper,Tin plated
 Cage : Brass,Ni plated

※ **电气性能**
 参考标准: UL IEC
 额定电压: 300V 400V
 额定电流: 65A 57A
 导线线径: 20 -6AWG 0.5-10 mm²
 耐电压: AC2500V/1Min

※ **机械性能**
 扭力矩: 1.2Nm(10.5Lb-In.)
 环境温度: -40°C~+105°C
 剥线长度: 11mm

※ **材质和电镀**
 塑件 : PA66,UL94V-0
 螺丝 : M4,黄铜,镀镍
 载流体 : 紫铜,镀锡
 方盒 : 黄铜,镀镍

APPROVAL :
 ※ **Electrical**
 Standard : UL IEC
 Rated voltage : 300V 400V
 Rated current : 65A 57A
 Wire range : 20 -6AWG 0.5-10 mm²
 Withstanding voltage: AC2500V/1Min

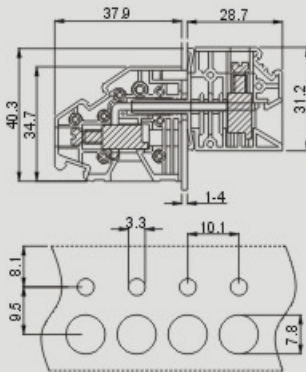
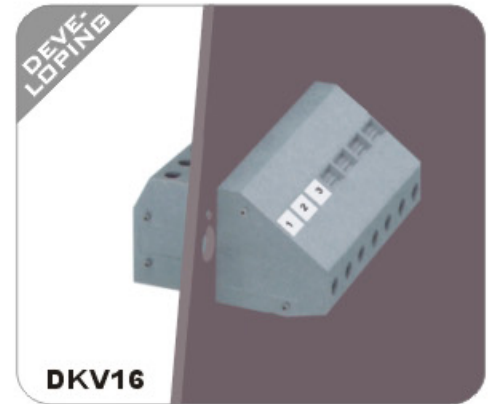
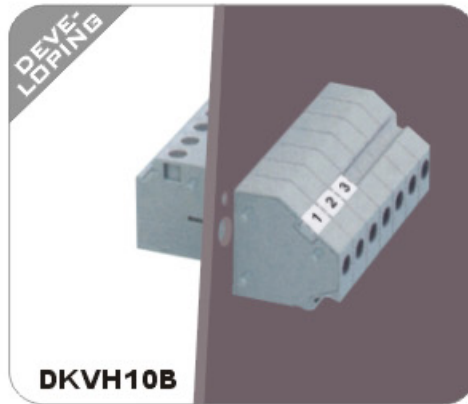
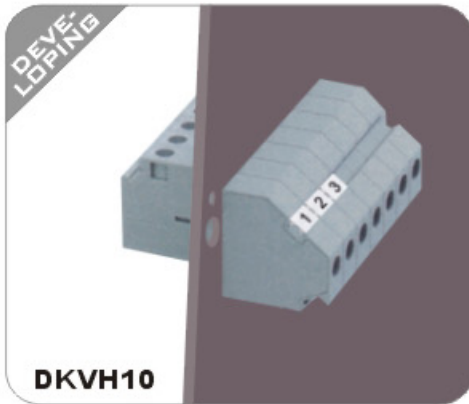
※ **Mechanical**
 Torque : 1.2Nm(10.5Lb-In.)
 Ambient temperature: -40°C~+105°C
 Strip length : 11mm

※ **Material**
 Housing : PA66,UL94V-0
 Screws : M4,Brass,Ni plated
 Contact : Copper,Tin plated
 Cage : Brass,Ni plated

※ **电气性能**
 参考标准: UL IEC
 额定电压: 300V 400V
 额定电流: 65A 57A
 导线线径: 20 -6AWG 0.5-10 mm²
 耐电压: AC2500V/1Min

※ **机械性能**
 扭力矩: 1.2Nm(10.5Lb-In.)
 环境温度: -40°C~+105°C
 剥线长度: 11mm

※ **材质和电镀**
 塑件 : PA66,UL94V-0
 螺丝 : M4,黄铜,镀镍
 载流体 : 紫铜,镀锡
 方盒 : 黄铜,镀镍



APPROVAL :

※ **Electrical**

Standard	: UL	IEC
Rated voltage	: 600V	1000V
Rated current	: 65A	57A
Wire range	: 20 -6AWG	0.5-10 mm ²
Withstanding voltage	: AC3500V/1Min	

※ **Mechanical**

Torque : 1.2Nm(10.5Lb-In.)

Ambient temperature : -40°C~ +105°C

Strip length : 11mm

※ **Material**

Housing : PA66,UL94V-0

Screws : M4,Brass,Ni plated

Contact : Copper,Tin plated

Cage : Brass,Ni plated

※ **电气性能**

参考标准: UL IEC

额定电压: 600V 1000V

额定电流: 65A 57A

导线线径: 20 -6AWG 0.5-10 mm²

耐电压: AC3500V/1Min

※ **机械性能**

扭力矩: 1.2Nm(10.5Lb-In.)

环境温度: -40°C~ +105°C

剥线长度: 11mm

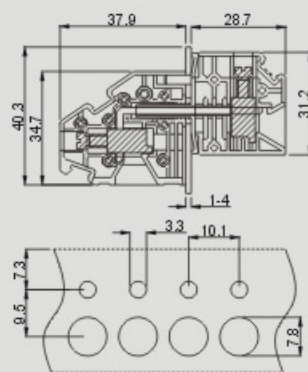
※ **材质和电镀**

塑件: PA66,UL94V-0

螺丝: M4,黄铜,镀镍

载流体: 紫铜,镀锡

方盒: 黄铜,镀镍



APPROVAL :

※ **Electrical**

Standard	: UL	IEC
Rated voltage	: 600V	1000V
Rated current	: 65A	57A
Wire range	: 20 -6AWG	0.5-10 mm ²
Withstanding voltage	: AC3500V/1Min	

※ **Mechanical**

Torque : 1.2Nm(10.5Lb-In.)

Ambient temperature : -40°C~ +105°C

Strip length : 11mm

※ **Material**

Housing : PA66,UL94V-0

Screws : M4,Brass,Ni plated

Contact : Copper,Tin plated

Cage : Brass,Ni plated

※ **电气性能**

参考标准: UL IEC

额定电压: 600V 1000V

额定电流: 65A 57A

导线线径: 20 -6AWG 0.5-10 mm²

耐电压: AC3500V/1Min

※ **机械性能**

扭力矩: 1.2Nm(10.5Lb-In.)

环境温度: -40°C~ +105°C

剥线长度: 11mm

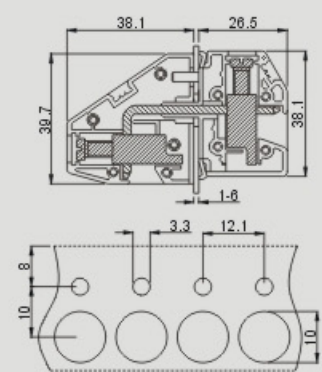
※ **材质和电镀**

塑件: PA66,UL94V-0

螺丝: M4,黄铜,镀镍

载流体: 紫铜,镀锡

方盒: 黄铜,镀镍



APPROVAL :

※ **Electrical**

Standard	: UL	IEC
Rated voltage	: 600V	500V
Rated current	: 85A	76A
Wire range	: 20 -4AWG	0.5-16 mm ²
Withstanding voltage	: AC3000V/1Min	

※ **Mechanical**

Torque : 2.0Nm(17.5Lb-In.)

Ambient temperature : -40°C~ +105°C

Strip length : 16mm

※ **Material**

Housing : PA66,UL94V-0

Screws : M5,Brass,Ni plated

Contact : Copper,Tin plated

Cage : Brass,Ni plated

※ **电气性能**

参考标准: UL IEC

额定电压: 600V 500V

额定电流: 85A 76A

导线线径: 20 -4AWG 0.5-16 mm²

耐电压: AC3000V/1Min

※ **机械性能**

扭力矩: 2.0Nm(17.5Lb-In.)

环境温度: -40°C~ +105°C

剥线长度: 16mm

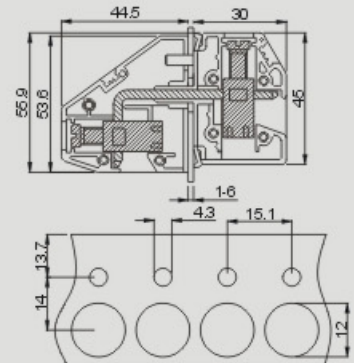
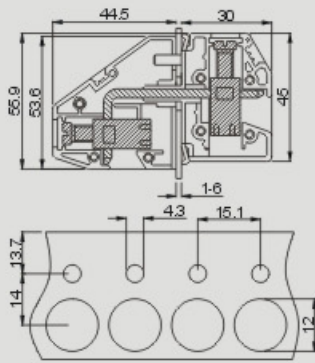
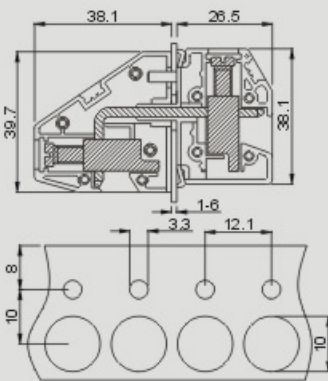
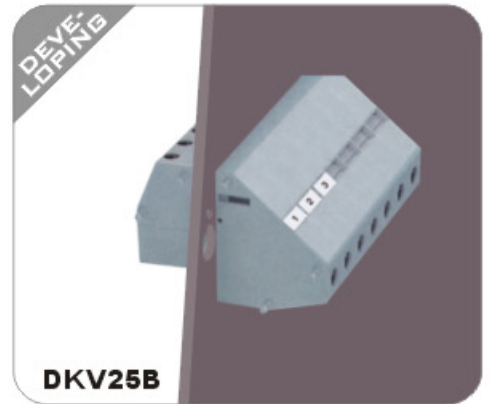
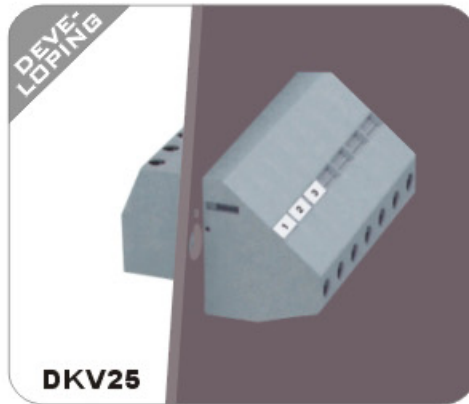
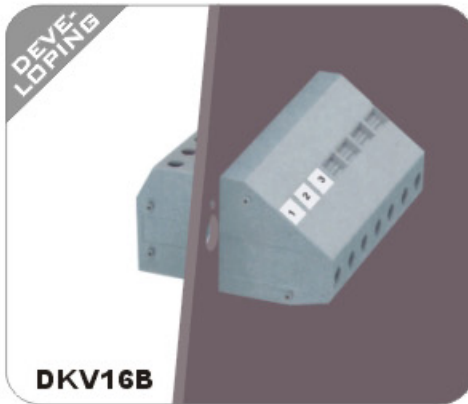
※ **材质和电镀**

塑件: PA66,UL94V-0

螺丝: M5,黄铜,镀镍

载流体: 紫铜,镀锡

方盒: 黄铜,镀镍



APPROVAL :
 ※ **Electrical**
 Standard : UL IEC
 Rated voltage : 600V 500V
 Rated current : 85A 76A
 Wire range : 20 -4AWG 0.5-16 mm²
 Withstanding voltage : AC3000V/1Min

※ **Mechanical**
 Torque : 2.0Nm(17.5Lb-In.)
 Ambient temperature : -40°C ~ +105°C
 Strip length : 16mm

※ **Material**
 Housing : PA66,UL94V-0
 Screws : M5,Brass,Ni plated
 Contact : Copper,Tin plated
 Cage : Brass,Ni plated

※ **电气性能**
 参考标准: UL IEC
 额定电压: 600V 500V
 额定电流: 85A 76A
 导线线径: 20 -4AWG 0.5-16 mm²
 耐电压: AC3000V/1Min

※ **机械性能**
 扭力矩: 2.0Nm(17.5Lb-In.)
 环境温度: -40°C ~ +105°C
 剥线长度: 16mm

※ **材质和电镀**
 塑件: PA66,UL94V-0
 螺丝: M5,黄铜,镀锌
 载流体: 紫铜,镀锡
 方盒: 黄铜,镀锌

APPROVAL :
 ※ **Electrical**
 Standard : UL IEC
 Rated voltage : 600V 500V
 Rated current : 115A 101A
 Wire range : 10 -2AWG 10-25 mm²
 Withstanding voltage : AC3000V/1Min

※ **Mechanical**
 Torque : 2.0Nm(17.5Lb-In.)
 Ambient temperature : -40°C ~ +105°C
 Strip length : 19mm

※ **Material**
 Housing : PA66,UL94V-0
 Screws : M5,Brass,Ni plated
 Contact : Copper,Tin plated
 Cage : Steel,Cr⁺ Zn plated

※ **电气性能**
 参考标准: UL IEC
 额定电压: 600V 500V
 额定电流: 115A 101A
 导线线径: 10 -2AWG 10-25 mm²
 耐电压: AC3000V/1Min

※ **机械性能**
 扭力矩: 2.0Nm(17.5Lb-In.)
 环境温度: -40°C ~ +105°C
 剥线长度: 19mm

※ **材质和电镀**
 塑件: PA66,UL94V-0
 螺丝: M5,黄铜,镀锌
 载流体: 紫铜,镀锡
 方盒: 铜,镀Cr⁺钝化彩锌

APPROVAL :
 ※ **Electrical**
 Standard : UL IEC
 Rated voltage : 600V 500V
 Rated current : 115A 101A
 Wire range : 10 -2AWG 10-25 mm²
 Withstanding voltage : AC3000V/1Min

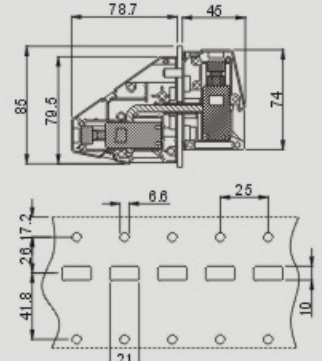
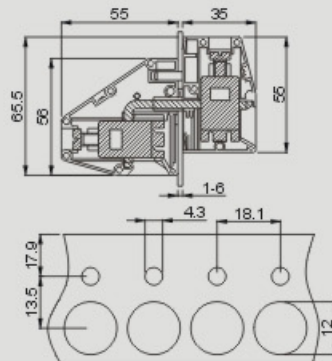
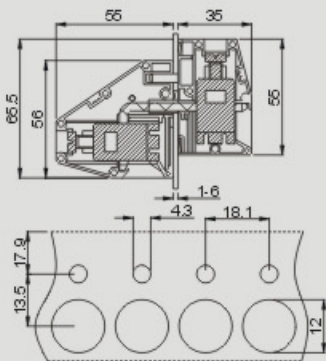
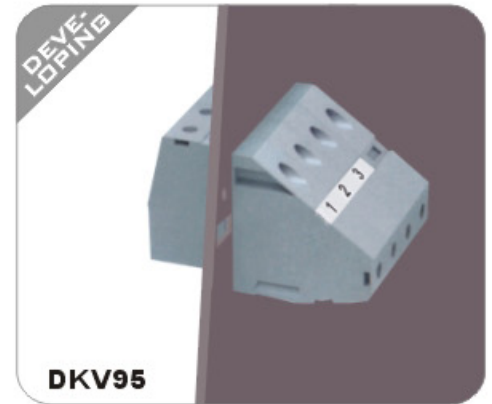
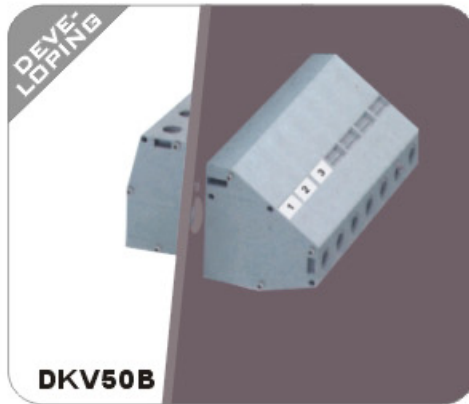
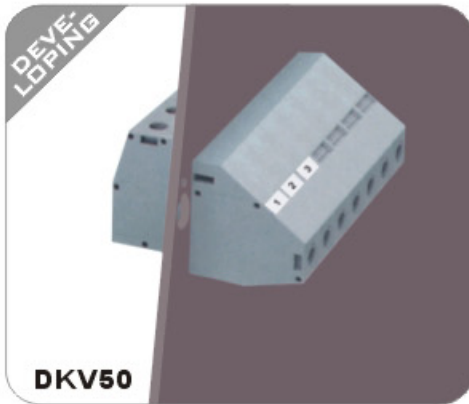
※ **Mechanical**
 Torque : 2.0Nm(17.5Lb-In.)
 Ambient temperature : -40°C ~ +105°C
 Strip length : 19mm

※ **Material**
 Housing : PA66,UL94V-0
 Screws : M5,Brass,Ni plated
 Contact : Copper,Tin plated
 Cage : Steel,Cr⁺ Zn plated

※ **电气性能**
 参考标准: UL IEC
 额定电压: 600V 500V
 额定电流: 115A 101A
 导线线径: 10 -2AWG 10-25 mm²
 耐电压: AC3000V/1Min

※ **机械性能**
 扭力矩: 2.0Nm(17.5Lb-In.)
 环境温度: -40°C ~ +105°C
 剥线长度: 19mm

※ **材质和电镀**
 塑件: PA66,UL94V-0
 螺丝: M5,黄铜,镀锌
 载流体: 紫铜,镀锡
 方盒: 铜,镀Cr⁺钝化彩锌



APPROVAL :

※ **Electrical**

Standard	: UL	IEC
Rated voltage	: 600V	690V
Rated current	: 150A	150A
Wire range	: 6 -1/0AWG	16-50 mm ²
Withstanding voltage	: AC3000V/1Min	

※ **Mechanical**

Torque	: 2.5Nm(22.15Lb-In.)
Ambient temperature	: -40°C ~ +105°C
Strip length	: 24mm

※ **Material**

Housing	: PA66, UL94V-0
Screws	: M6, Brass, Ni plated
Contact	: Copper, Tin plated
Cage	: Steel, Cr ⁺⁺ Zn plated

※ **电气性能**

参考标准:	UL	IEC
额定电压:	600V	690V
额定电流:	150A	150A
导线线径:	6 -1/0AWG	16-50 mm ²
耐电压:	AC3000V/1Min	

※ **机械性能**

扭力矩:	2.5Nm(22.15Lb-In.)
环境温度:	-40°C ~ +105°C
剥线长度:	24mm

※ **材质和电镀**

塑件:	PA66, UL94V-0
螺丝:	M6, 黄铜, 镀镍
载流体:	紫铜, 镀锡
方盒:	钢, 镀Cr ⁺⁺ 钝化彩锌

APPROVAL :

※ **Electrical**

Standard	: UL	IEC
Rated voltage	: 600V	690V
Rated current	: 150A	150A
Wire range	: 6 -1/0AWG	16-50 mm ²
Withstanding voltage	: AC3000V/1Min	

※ **Mechanical**

Torque	: 2.5Nm(22.15Lb-In.)
Ambient temperature	: -40°C ~ +105°C
Strip length	: 24mm

※ **Material**

Housing	: PA66, UL94V-0
Screws	: M6, Brass, Ni plated
Contact	: Copper, Tin plated
Cage	: Steel, Cr ⁺⁺ Zn plated

※ **电气性能**

参考标准:	UL	IEC
额定电压:	600V	690V
额定电流:	150A	150A
导线线径:	6 -1/0AWG	16-50 mm ²
耐电压:	AC3000V/1Min	

※ **机械性能**

扭力矩:	2.5Nm(22.15Lb-In.)
环境温度:	-40°C ~ +105°C
剥线长度:	24mm

※ **材质和电镀**

塑件:	PA66, UL94V-0
螺丝:	M6, 黄铜, 镀镍
载流体:	紫铜, 镀锡
方盒:	钢, 镀Cr ⁺⁺ 钝化彩锌

APPROVAL :

※ **Electrical**

Standard	: UL	IEC
Rated voltage	: 600V	1000V
Rated current	: 230A	232A
Wire range	: 4 -2/0AWG	35-95 mm ²
Withstanding voltage	: AC3500V/1Min	

※ **Mechanical**

Torque	: 3.5Nm(31Lb-In.)
Ambient temperature	: -40°C ~ +105°C
Strip length	: 27mm

※ **Material**

Housing	: PA66, UL94V-0
Screws	: M8, Brass, Ni plated
Contact	: Copper, Tin plated
Cage	: Steel, Cr ⁺⁺ Zn plated

※ **电气性能**

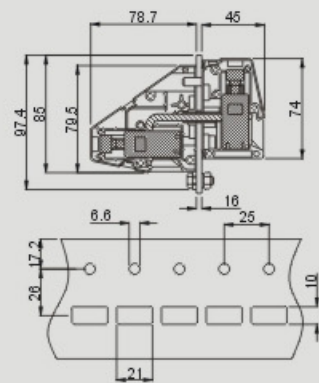
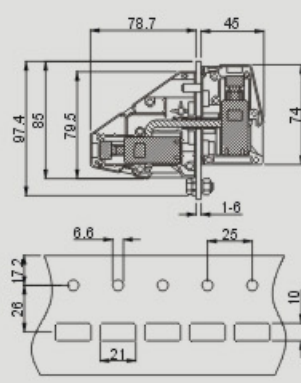
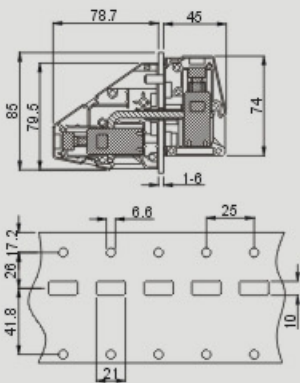
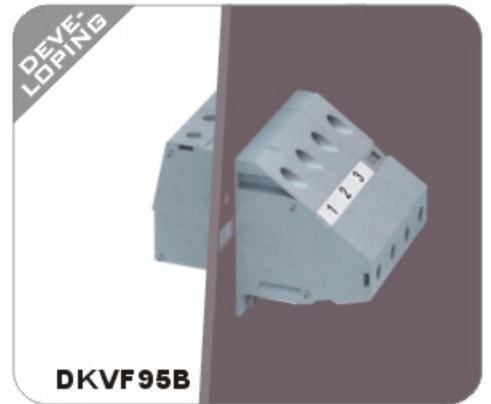
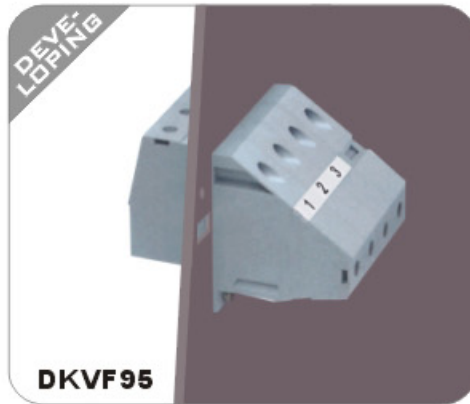
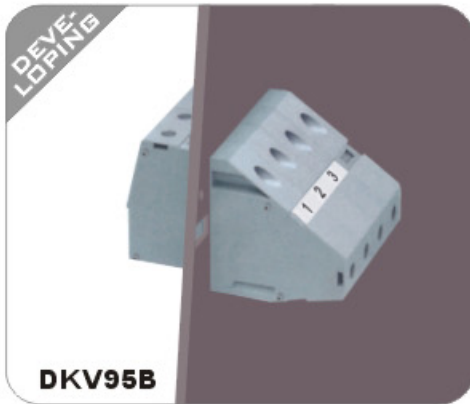
参考标准:	UL	IEC
额定电压:	600V	1000V
额定电流:	230A	232A
导线线径:	4 -2/0AWG	35-95 mm ²
耐电压:	AC3500V/1Min	

※ **机械性能**

扭力矩:	3.5Nm(31Lb-In.)
环境温度:	-40°C ~ +105°C
剥线长度:	27mm

※ **材质和电镀**

塑件:	PA66, UL94V-0
螺丝:	M8, 黄铜, 镀镍
载流体:	紫铜, 镀锡
方盒:	钢, 镀Cr ⁺⁺ 钝化彩锌



APPROVAL :
 ※ **Electrical**
 Standard : UL IEC
 Rated voltage : 600V 1000V
 Rated current : 230A 232A
 Wire range : 4 -2/0AWG 35-95 mm²
 Withstanding voltage: AC3500V/1Min

※ **Mechanical**
 Torque : 3.5Nm(31Lb-In.)
 Ambient temperature: -40°C~ +105°C
 Strip length : 27mm

※ **Material**
 Housing : PA66,UL94V-0
 Screws : M8,Brass,Ni plated
 Contact : Copper,Tin plated
 Cage : Steel,Cr⁺⁺ Zn plated

※ **电气性能**
 参考标准: UL IEC
 额定电压: 600V 1000V
 额定电流: 230A 232A
 导线线径: 4 -2/0AWG 35-95 mm²
 耐电压: AC3500V/1Min

※ **机械性能**
 扭力矩: 3.5Nm(31Lb-In.)
 环境温度: -40°C~ +105°C
 剥线长度: 27mm

※ **材质和电镀**
 塑件 : PA66,UL94V-0
 螺丝 : M8,黄铜,镀锌
 载流体 : 紫铜,镀锡
 方盒 : 钢,镀Cr⁺⁺钝化彩锌

APPROVAL :
 ※ **Electrical**
 Standard : UL IEC
 Rated voltage : 600V 1000V
 Rated current : 230A 232A
 Wire range : 4 -2/0AWG 35-95 mm²
 Withstanding voltage: AC3500V/1Min

※ **Mechanical**
 Torque : 3.5Nm(31Lb-In.)
 Ambient temperature: -40°C~ +105°C
 Strip length : 27mm

※ **Material**
 Housing : PA66,UL94V-0
 Screws : M8,Brass,Ni plated
 Contact : Copper,Tin plated
 Cage : Steel,Cr⁺⁺ Zn plated

※ **电气性能**
 参考标准: UL IEC
 额定电压: 600V 1000V
 额定电流: 230A 232A
 导线线径: 4 -2/0AWG 35-95 mm²
 耐电压: AC3500V/1Min

※ **机械性能**
 扭力矩: 3.5Nm(31Lb-In.)
 环境温度: -40°C~ +105°C
 剥线长度: 27mm

※ **材质和电镀**
 塑件 : PA66,UL94V-0
 螺丝 : M8,黄铜,镀锌
 载流体 : 紫铜,镀锡
 方盒 : 钢,镀Cr⁺⁺钝化彩锌

APPROVAL :
 ※ **Electrical**
 Standard : UL IEC
 Rated voltage : 600V 1000V
 Rated current : 230A 232A
 Wire range : 4 -2/0AWG 35-95 mm²
 Withstanding voltage: AC3500V/1Min

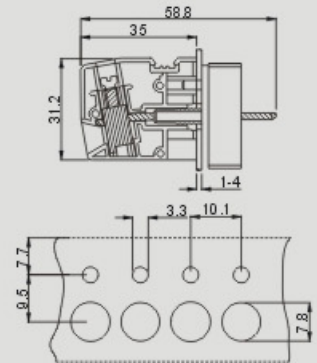
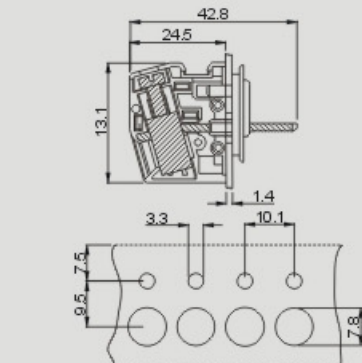
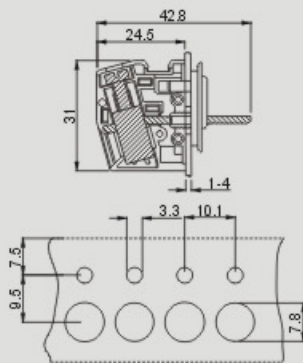
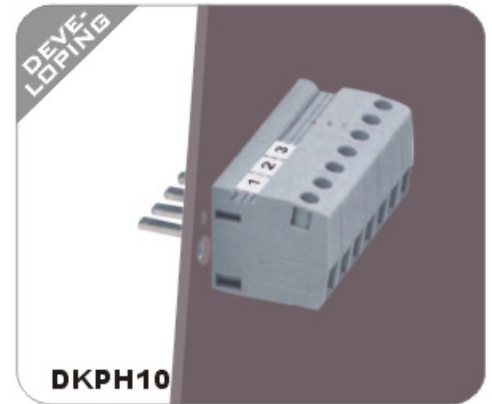
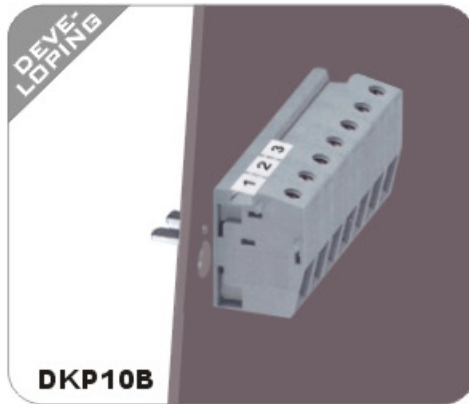
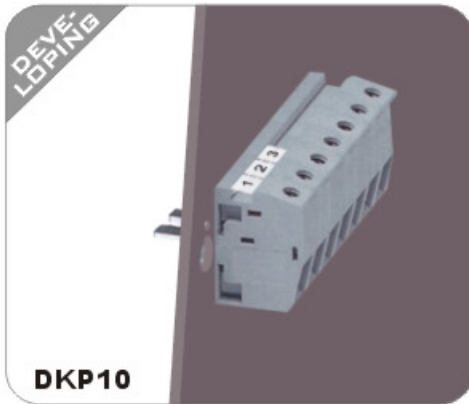
※ **Mechanical**
 Torque : 3.5Nm(31Lb-In.)
 Ambient temperature: -40°C~ +105°C
 Strip length : 27mm

※ **Material**
 Housing : PA66,UL94V-0
 Screws : M8,Brass,Ni plated
 Contact : Copper,Tin plated
 Cage : Steel,Cr⁺⁺ Zn plated

※ **电气性能**
 参考标准: UL IEC
 额定电压: 600V 1000V
 额定电流: 230A 232A
 导线线径: 4 -2/0AWG 35-95 mm²
 耐电压: AC3500V/1Min

※ **机械性能**
 扭力矩: 3.5Nm(31Lb-In.)
 环境温度: -40°C~ +105°C
 剥线长度: 27mm

※ **材质和电镀**
 塑件 : PA66,UL94V-0
 螺丝 : M8,黄铜,镀锌
 载流体 : 紫铜,镀锡
 方盒 : 钢,镀Cr⁺⁺钝化彩锌



APPROVAL :

※ **Electrical**

Standard	: UL	IEC
Rated voltage	: 300V	400V
Rated current	: 65A	57A
Wire range	: 20-6 AWG	0.5-10 mm ²
Withstanding voltage	: AC2500V/1Min	

※ **Mechanical**

Torque	: 1.2Nm (10.5Lb-In.)
Ambient temperature	: -40°C ~ +105°C
Strip length	: 11mm

※ **Material**

Housing	: PA66, UL94V-0
Screws	: M4, Brass, Ni plated
Contact	: Copper, Tin plated
Cage	: Brass, Ni plated

※ **电气性能**

参考标准:	UL	IEC
额定电压:	300V	400V
额定电流:	65A	57A
导线线径:	20-6 AWG	0.5-10 mm ²
耐电压:	AC2500V/1Min	

※ **机械性能**

扭力矩:	1.2Nm (10.5Lb-In.)
环境温度:	-40°C ~ +105°C
剥线长度:	11mm

※ **材质和电镀**

塑件:	PA66, UL94V-0
螺丝:	M4, 黄铜, 镀镍
载流体:	紫铜, 镀锡
方盒:	黄铜, 镀镍

APPROVAL :

※ **Electrical**

Standard	: UL	IEC
Rated voltage	: 300V	400V
Rated current	: 65A	57A
Wire range	: 20-6 AWG	0.5-10 mm ²
Withstanding voltage	: AC2500V/1Min	

※ **Mechanical**

Torque	: 1.2Nm (10.5Lb-In.)
Ambient temperature	: -40°C ~ +105°C
Strip length	: 11mm

※ **Material**

Housing	: PA66, UL94V-0
Screws	: M4, Brass, Ni plated
Contact	: Copper, Tin plated
Cage	: Brass, Ni plated

※ **电气性能**

参考标准:	UL	IEC
额定电压:	300V	400V
额定电流:	65A	57A
导线线径:	20-6 AWG	0.5-10 mm ²
耐电压:	AC2500V/1Min	

※ **机械性能**

扭力矩:	1.2Nm (10.5Lb-In.)
环境温度:	-40°C ~ +105°C
剥线长度:	11mm

※ **材质和电镀**

塑件:	PA66, UL94V-0
螺丝:	M4, 黄铜, 镀镍
载流体:	紫铜, 镀锡
方盒:	黄铜, 镀镍

APPROVAL :

※ **Electrical**

Standard	: UL	IEC
Rated voltage	: 600V	400V
Rated current	: 65A	57A
Wire range	: 20-6 AWG	0.5-10 mm ²
Withstanding voltage	: AC2500V/1Min	

※ **Mechanical**

Torque	: 1.2Nm (10.5Lb-In.)
Ambient temperature	: -40°C ~ +105°C
Strip length	: 11mm

※ **Material**

Housing	: PA66, UL94V-0
Screws	: M4, Brass, Ni plated
Contact	: Copper, Tin plated
Cage	: Brass, Ni plated

※ **电气性能**

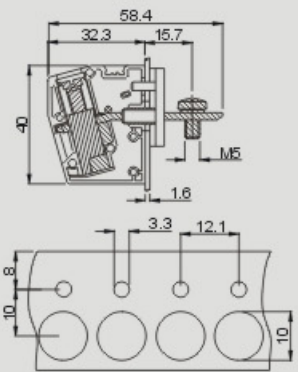
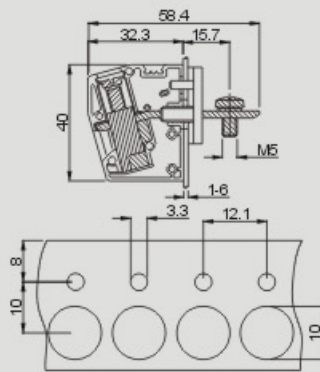
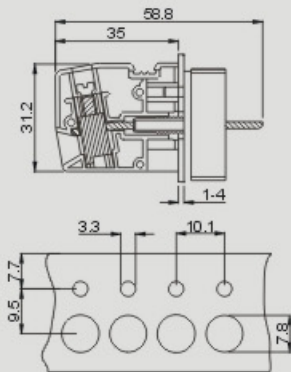
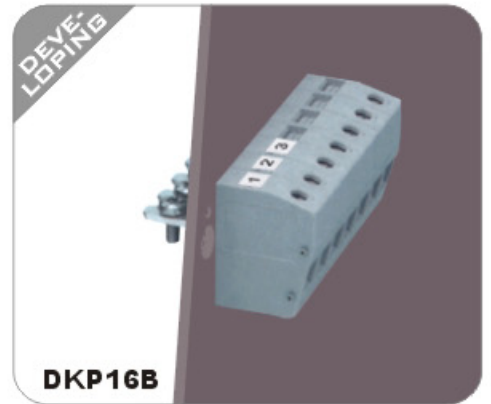
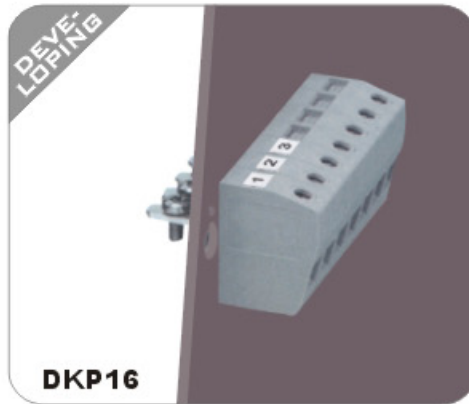
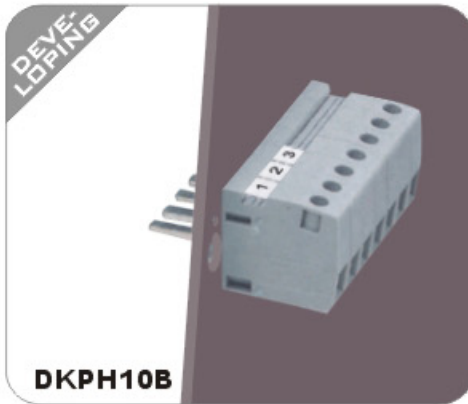
参考标准:	UL	IEC
额定电压:	600V	400V
额定电流:	65A	57A
导线线径:	20-6 AWG	0.5-10 mm ²
耐电压:	AC2500V/1Min	

※ **机械性能**

扭力矩:	1.2Nm (10.5Lb-In.)
环境温度:	-40°C ~ +105°C
剥线长度:	11mm

※ **材质和电镀**

塑件:	PA66, UL94V-0
螺丝:	M4, 黄铜, 镀镍
载流体:	紫铜, 镀锡
方盒:	黄铜, 镀镍



APPROVAL :
 ※ **Electrical**
 Standard : UL IEC
 Rated voltage : 600V 400V
 Rated current : 65A 57A
 Wire range : 20-6 AWG 0.5-10 mm²
 Withstanding voltage : AC2500V/1Min

※ **Mechanical**
 Torque : 1.2Nm(10.5Lb-In.)
 Ambient temperature : -40°C ~ +105°C
 Strip length : 11mm

※ **Material**
 Housing : PA66, UL94V-0
 Screws : M4, Brass, Ni plated
 Contact : Copper, Tin plated
 Cage : Brass, Ni plated

※ **电气性能**
 参考标准: UL IEC
 额定电压: 600V 400V
 额定电流: 65A 57A
 导线线径: 20-6 AWG 0.5-10 mm²
 耐电压: AC2500V/1Min

※ **机械性能**
 扭力矩: 1.2Nm(10.5Lb-In.)
 环境温度: -40°C ~ +105°C
 剥线长度: 11mm

※ **材质和电镀**
 塑件: PA66, UL94V-0
 螺丝: M4, 黄铜, 镀镍
 载流体: 紫铜, 镀锡
 方盒: 黄铜, 镀镍

APPROVAL :
 ※ **Electrical**
 Standard : UL IEC
 Rated voltage : 600V 500V
 Rated current : 85A 76A
 Wire range : 20-4 AWG 0.5-16 mm²
 Withstanding voltage : AC3000V/1Min

※ **Mechanical**
 Torque : 2.0Nm(17.5Lb-In.)
 Ambient temperature : -40°C ~ +105°C
 Strip length : 16mm

※ **Material**
 Housing : PA66, UL94V-0
 Screws : M5, Brass, Ni plated
 Contact : Copper, Tin plated
 Cage : Brass, Ni plated

※ **电气性能**
 参考标准: UL IEC
 额定电压: 600V 500V
 额定电流: 85A 76A
 导线线径: 20-4 AWG 0.5-16 mm²
 耐电压: AC3000V/1Min

※ **机械性能**
 扭力矩: 2.0Nm(17.5Lb-In.)
 环境温度: -40°C ~ +105°C
 剥线长度: 16mm

※ **材质和电镀**
 塑件: PA66, UL94V-0
 螺丝: M5, 黄铜, 镀镍
 载流体: 紫铜, 镀锡
 方盒: 黄铜, 镀镍

APPROVAL :
 ※ **Electrical**
 Standard : UL IEC
 Rated voltage : 600V 500V
 Rated current : 85A 76A
 Wire range : 20-4 AWG 0.5-16 mm²
 Withstanding voltage : AC3000V/1Min

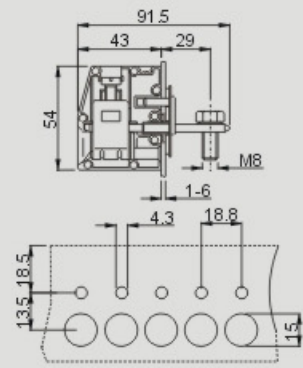
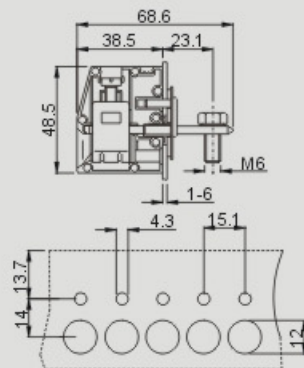
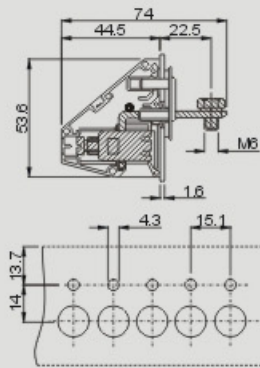
※ **Mechanical**
 Torque : 2.0Nm(17.5Lb-In.)
 Ambient temperature : -40°C ~ +105°C
 Strip length : 16mm

※ **Material**
 Housing : PA66, UL94V-0
 Screws : M5, Brass, Ni plated
 Contact : Copper, Tin plated
 Cage : Brass, Ni plated

※ **电气性能**
 参考标准: UL IEC
 额定电压: 600V 500V
 额定电流: 85A 76A
 导线线径: 20-4 AWG 0.5-16 mm²
 耐电压: AC3000V/1Min

※ **机械性能**
 扭力矩: 2.0Nm(17.5Lb-In.)
 环境温度: -40°C ~ +105°C
 剥线长度: 16mm

※ **材质和电镀**
 塑件: PA66, UL94V-0
 螺丝: M5, 黄铜, 镀镍
 载流体: 紫铜, 镀锡
 方盒: 黄铜, 镀镍



APPROVAL :

※ Electrical

Standard	UL	IEC
Rated voltage	600V	500V
Rated current	115A	101A
Wire range	10-2 AWG	10-25 mm ²
Withstanding voltage	AC3000V/1Min	

※ Mechanical

Torque	2.0Nm(17.5Lb-In.)
Ambient temperature	-40°C ~ +105°C
Strip length	19mm

※ Material

Housing	PA66, UL94V-0
Screws	M5, Brass, Ni plated
Contact	Copper, Tin plated
Cage	Steel, Cr ⁺ Zn plated

※电气性能

参考标准:	UL	IEC
额定电压:	600V	500V
额定电流:	115A	101A
导线线径:	10-2 AWG	10-25 mm ²
耐电压:	AC3000V/1Min	

※机械性能

扭力矩:	2.0Nm(17.5Lb-In.)
环境温度:	-40°C ~ +105°C
剥线长度:	19mm

※材质和电镀

塑件:	PA66, UL94V-0
螺丝:	M5, 黄铜, 镀镍
载流体:	紫铜, 镀锡
方盒:	钢, 镀Cr ⁺ 钝化彩锌

APPROVAL :

※ Electrical

Standard	UL	IEC
Rated voltage	600V	500V
Rated current	115A	101A
Wire range	10-2 AWG	10-25 mm ²
Withstanding voltage	AC3000V/1Min	

※ Mechanical

Torque	2.0Nm(17.5Lb-In.)
Ambient temperature	-40°C ~ +105°C
Strip length	19mm

※ Material

Housing	PA66, UL94V-0
Screws	M5, Brass, Ni plated
Contact	Copper, Tin plated
Cage	Steel, Cr ⁺ Zn plated

※电气性能

参考标准:	UL	IEC
额定电压:	600V	500V
额定电流:	115A	101A
导线线径:	10-2 AWG	10-25 mm ²
耐电压:	AC3000V/1Min	

※机械性能

扭力矩:	2.0Nm(17.5Lb-In.)
环境温度:	-40°C ~ +105°C
剥线长度:	19mm

※材质和电镀

塑件:	PA66, UL94V-0
螺丝:	M5, 黄铜, 镀镍
载流体:	紫铜, 镀锡
方盒:	钢, 镀Cr ⁺ 钝化彩锌

APPROVAL :

※ Electrical

Standard	UL	IEC
Rated voltage	600V	690V
Rated current	150A	150A
Wire range	6-1/0 AWG	16-50 mm ²
Withstanding voltage	AC3000V/1Min	

※ Mechanical

Torque	2.5Nm(22.15Lb-In.)
Ambient temperature	-40°C ~ +105°C
Strip length	24mm

※ Material

Housing	PA66, UL94V-0
Screws	M6, Brass, Ni plated
Contact	Copper, Tin plated
Cage	Steel, Cr ⁺ Zn plated

※电气性能

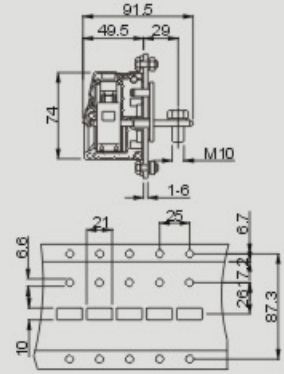
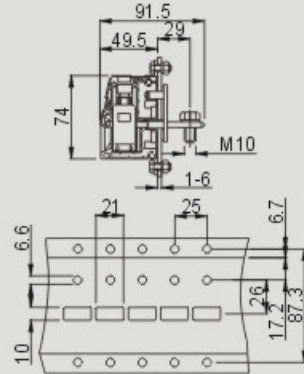
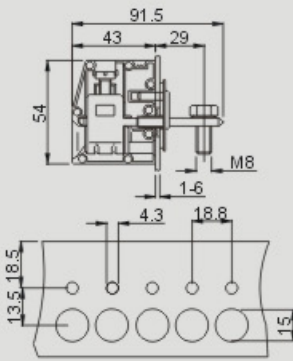
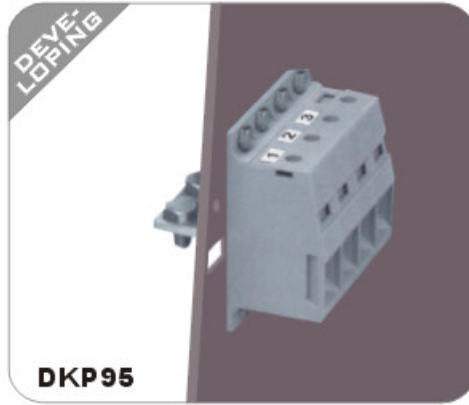
参考标准:	UL	IEC
额定电压:	600V	690V
额定电流:	150A	150A
导线线径:	6-1/0 AWG	16-50 mm ²
耐电压:	AC3000V/1Min	

※机械性能

扭力矩:	2.5Nm(22.15Lb-In.)
环境温度:	-40°C ~ +105°C
剥线长度:	24mm

※材质和电镀

塑件:	PA66, UL94V-0
螺丝:	M6, 黄铜, 镀镍
载流体:	紫铜, 镀锡
方盒:	钢, 镀Cr ⁺ 钝化彩锌



APPROVAL :
 ※ **Electrical**
 Standard : UL IEC
 Rated voltage : 600V 690V
 Rated current : 150A 150A
 Wire range : 6-1/0 AWG 16-50 mm²
 Withstanding voltage : AC3000V/1Min

※ **Mechanical**
 Torque : 2.5Nm(22.15Lb-In.)
 Ambient temperature : -40°C ~ +105°C
 Strip length : 24mm

※ **Material**
 Housing : PA66,UL94V-0
 Screws : M6,Brass,Ni plated
 Contact : Copper,Tin plated
 Cage : Steel,Cr⁺ Zn plated

※ **电气性能**
 参考标准: UL IEC
 额定电压: 600V 690V
 额定电流: 150A 150A
 导线线径: 6-1/0 AWG 16-50 mm²
 耐电压: AC3000V/1Min

※ **机械性能**
 扭力矩: 2.5Nm(22.15Lb-In.)
 环境温度: -40°C ~ +105°C
 剥线长度: 24mm

※ **材质和电镀**
 塑件: PA66,UL94V-0
 螺丝: M6,黄铜,镀镍
 载流体: 紫铜,镀锡
 方盒: 钢,镀Cr⁺钝化彩锌

APPROVAL :
 ※ **Electrical**
 Standard : UL IEC
 Rated voltage : 600V 1000V
 Rated current : 230A 232A
 Wire range : 4-2/0 AWG 35-95 mm²
 Withstanding voltage : AC3500V/1Min

※ **Mechanical**
 Torque : 3.5Nm(31Lb-In.)
 Ambient temperature : -40°C ~ +105°C
 Strip length : 6-7mm

※ **Material**
 Housing : PA66,UL94V-0
 Screws : M8,Brass,Ni plated
 Contact : Copper,Tin plated
 Cage : Steel,Cr⁺ Zn plated

※ **电气性能**
 参考标准: UL IEC
 额定电压: 600V 1000V
 额定电流: 230A 232A
 导线线径: 4-2/0 AWG 35-95 mm²
 耐电压: AC3500V/1Min

※ **机械性能**
 扭力矩: 3.5Nm(31Lb-In.)
 环境温度: -40°C ~ +105°C
 剥线长度: 6-7mm

※ **材质和电镀**
 塑件: PA66,UL94V-0
 螺丝: M8,黄铜,镀镍
 载流体: 紫铜,镀锡
 方盒: 钢,镀Cr⁺钝化彩锌

APPROVAL :
 ※ **Electrical**
 Standard : UL IEC
 Rated voltage : 600V 1000V
 Rated current : 230A 232A
 Wire range : 4-2/0 AWG 35-95 mm²
 Withstanding voltage : AC3500V/1Min

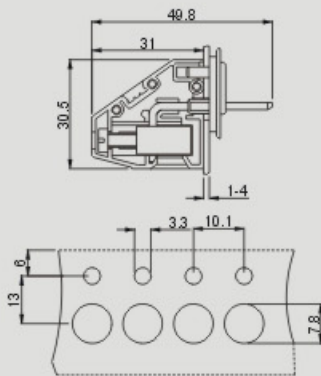
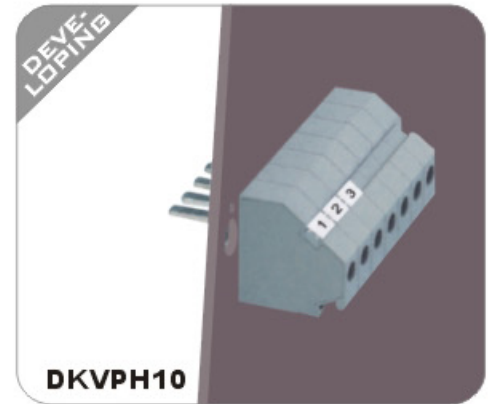
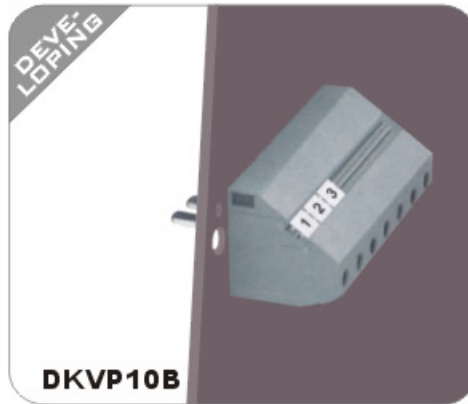
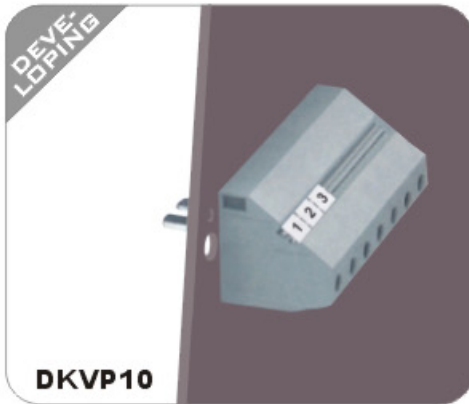
※ **Mechanical**
 Torque : 3.5Nm(31Lb-In.)
 Ambient temperature : -40°C ~ +105°C
 Strip length : 6-7mm

※ **Material**
 Housing : PA66,UL94V-0
 Screws : M8,Brass,Ni plated
 Contact : Copper,Tin plated
 Cage : Steel,Cr⁺ Zn plated

※ **电气性能**
 参考标准: UL IEC
 额定电压: 600V 1000V
 额定电流: 230A 232A
 导线线径: 4-2/0 AWG 35-95 mm²
 耐电压: AC3500V/1Min

※ **机械性能**
 扭力矩: 3.5Nm(31Lb-In.)
 环境温度: -40°C ~ +105°C
 剥线长度: 6-7mm

※ **材质和电镀**
 塑件: PA66,UL94V-0
 螺丝: M8,黄铜,镀镍
 载流体: 紫铜,镀锡
 方盒: 钢,镀Cr⁺钝化彩锌



APPROVAL

※ Electrical		
Standard	UL	IEC
Rated voltage	300V	400V
Rated current	65A	57A
Wire range	20-6 AWG	0.5-10 mm ²
Withstanding voltage	AC2500V/1Min	

※ **Mechanical**

Torque	1.2Nm (10.5Lb-In.)	
Ambient temperature	-40°C ~ +105°C	
Strip length	10mm	

※ **Material**

Housing	PA66, UL94V-2	
Screws	M5, Brass, Ni plated	
Contact	Copper, Tin plated	
Cage	Brass, Ni plated	

※ **电气性能**

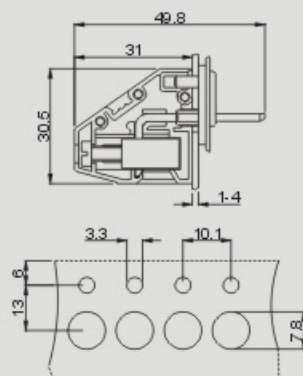
参考标准:	UL	IEC
额定电压:	300V	400V
额定电流:	65A	57A
导线线径:	20-6 AWG	0.5-10 mm ²
耐电压:	AC2500V/1Min	

※ **机械性能**

扭力矩:	1.2Nm (10.5Lb-In.)	
环境温度:	-40°C ~ +105°C	
剥线长度:	10mm	

※ **材质和电镀**

塑件:	PA66, UL94V-2	
螺丝:	M5, 黄铜, 镀镍	
载流体:	紫铜, 镀锡	
方盒:	黄铜, 镀镍	



APPROVAL

※ Electrical		
Standard	UL	IEC
Rated voltage	300V	400V
Rated current	65A	57A
Wire range	20-6 AWG	0.5-10 mm ²
Withstanding voltage	AC2500V/1Min	

※ **Mechanical**

Torque	1.2Nm (10.5Lb-In.)	
Ambient temperature	-40°C ~ +105°C	
Strip length	10mm	

※ **Material**

Housing	PA66, UL94V-2	
Screws	M5, Brass, Ni plated	
Contact	Copper, Tin plated	
Cage	Brass, Ni plated	

※ **电气性能**

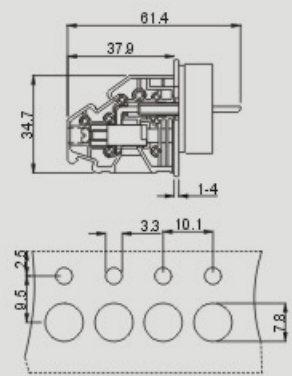
参考标准:	UL	IEC
额定电压:	300V	400V
额定电流:	65A	57A
导线线径:	20-6 AWG	0.5-10 mm ²
耐电压:	AC2500V/1Min	

※ **机械性能**

扭力矩:	1.2Nm (10.5Lb-In.)	
环境温度:	-40°C ~ +105°C	
剥线长度:	10mm	

※ **材质和电镀**

塑件:	PA66, UL94V-2	
螺丝:	M5, 黄铜, 镀镍	
载流体:	紫铜, 镀锡	
方盒:	黄铜, 镀镍	



APPROVAL

※ Electrical		
Standard	UL	IEC
Rated voltage	600V	1000V
Rated current	65A	57A
Wire range	20-6 AWG	0.5-10 mm ²
Withstanding voltage	AC3500V/1Min	

※ **Mechanical**

Torque	1.2Nm (10.5Lb-In.)	
Ambient temperature	-40°C ~ +105°C	
Strip length	11mm	

※ **Material**

Housing	PA66, UL94V-0	
Screws	M5, Brass, Ni plated	
Contact	Copper, Tin plated	
Cage	Brass, Ni plated	

※ **电气性能**

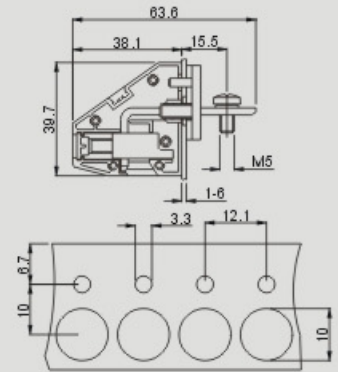
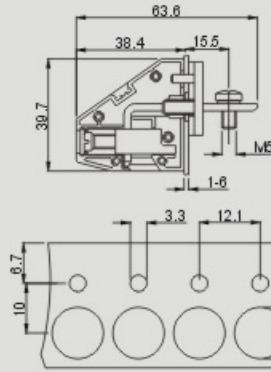
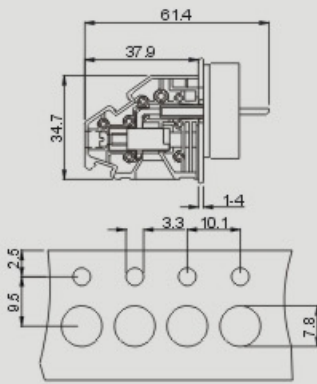
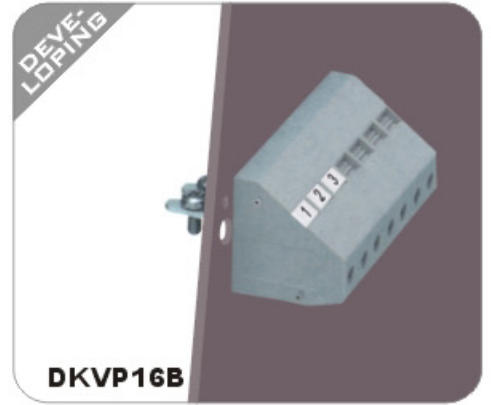
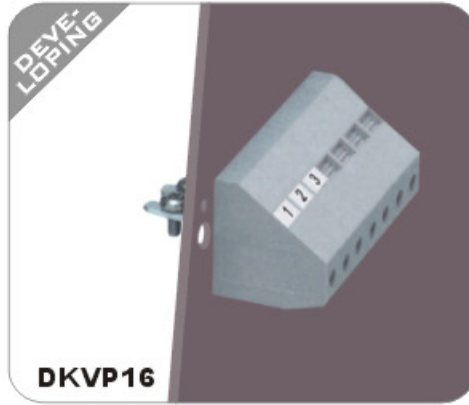
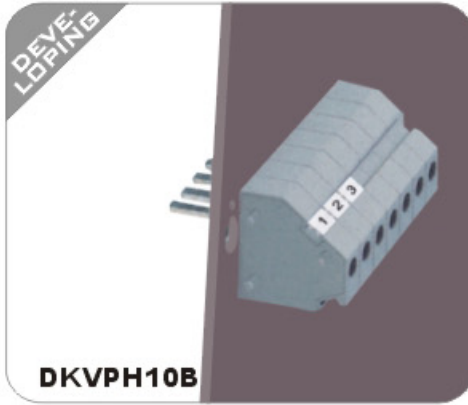
参考标准:	UL	IEC
额定电压:	600V	1000V
额定电流:	65A	57A
导线线径:	20-6 AWG	0.5-10 mm ²
耐电压:	AC3500V/1Min	

※ **机械性能**

扭力矩:	1.2Nm (10.5Lb-In.)	
环境温度:	-40°C ~ +105°C	
剥线长度:	11mm	

※ **材质和电镀**

塑件:	PA66, UL94V-0	
螺丝:	M5, 黄铜, 镀镍	
载流体:	紫铜, 镀锡	
方盒:	黄铜, 镀镍	



APPROVAL :
 ※ **Electrical**
 Standard : UL IEC
 Rated voltage : 600V 1000V
 Rated current : 65A 57A
 Wire range : 20-6 AWG 0.5-10 mm²
 Withstanding voltage : AC3500V/1Min

※ **Mechanical**
 Torque : 1.2Nm(10.5Lb-In.)
 Ambient temperature : -40°C ~ +105°C
 Strip length : 11mm

※ **Material**
 Housing : PA66,UL94V-0
 Screws : M5,Brass,Ni plated
 Contact : Copper,Tin plated
 Cage : Brass,Ni plated

※ **电气性能**
 参考标准: UL IEC
 额定电压: 600V 1000V
 额定电流: 65A 57A
 导线线径: 20-6 AWG 0.5-10 mm²
 耐电压: AC3500V/1Min

※ **机械性能**
 扭力矩: 1.2Nm(10.5Lb-In.)
 环境温度: -40°C ~ +105°C
 剥线长度: 11mm

※ **材质和电镀**
 塑件 : PA66,UL94V-0
 螺丝 : M5,黄铜,镀锌
 载流体 : 紫铜,镀锌
 方盒 : 黄铜,镀锌

APPROVAL :
 ※ **Electrical**
 Standard : UL IEC
 Rated voltage : 600V 500V
 Rated current : 85A 76A
 Wire range : 20-4 AWG 0.5-16 mm²
 Withstanding voltage : AC3000V/1Min

※ **Mechanical**
 Torque : 2.0Nm(17.5Lb-In.)
 Ambient temperature : -40°C ~ +105°C
 Strip length : 16mm

※ **Material**
 Housing : PA66,UL94V-0
 Screws : M5,Brass,Ni plated
 Contact : Copper,Tin plated
 Cage : Brass,Ni plated

※ **电气性能**
 参考标准: UL IEC
 额定电压: 600V 500V
 额定电流: 85A 76A
 导线线径: 20-4 AWG 0.5-16 mm²
 耐电压: AC3000V/1Min

※ **机械性能**
 扭力矩: 2.0Nm(17.5Lb-In.)
 环境温度: -40°C ~ +105°C
 剥线长度: 16mm

※ **材质和电镀**
 塑件 : PA66,UL94V-0
 螺丝 : M5,黄铜,镀锌
 载流体 : 紫铜,镀锌
 方盒 : 黄铜,镀锌

APPROVAL :
 ※ **Electrical**
 Standard : UL IEC
 Rated voltage : 600V 500V
 Rated current : 85A 76A
 Wire range : 20-4 AWG 0.5-16 mm²
 Withstanding voltage : AC3000V/1Min

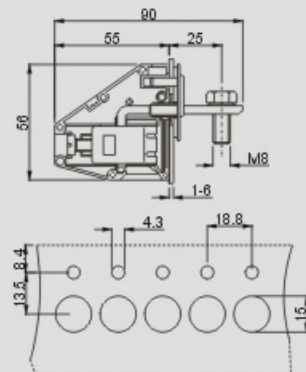
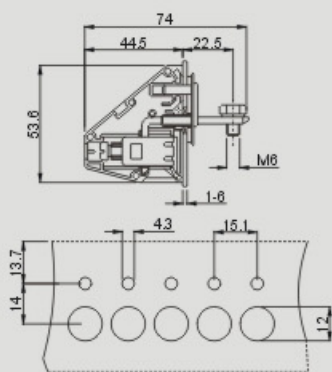
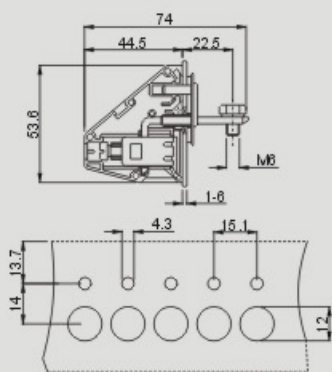
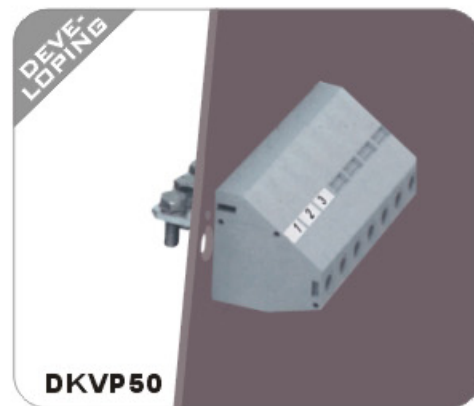
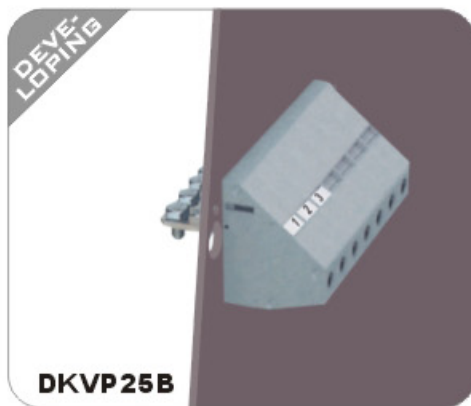
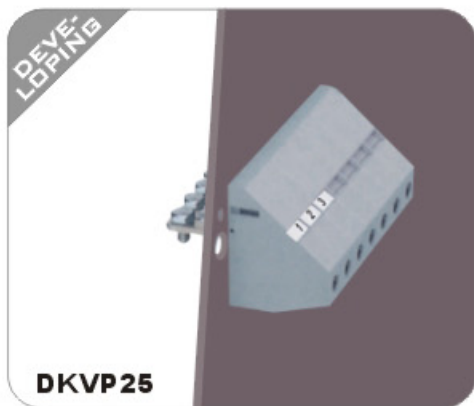
※ **Mechanical**
 Torque : 2.0Nm(17.5Lb-In.)
 Ambient temperature : -40°C ~ +105°C
 Strip length : 16mm

※ **Material**
 Housing : PA66,UL94V-0
 Screws : M5,Brass,Ni plated
 Contact : Copper,Tin plated
 Cage : Brass,Ni plated

※ **电气性能**
 参考标准: UL IEC
 额定电压: 600V 500V
 额定电流: 85A 76A
 导线线径: 20-4 AWG 0.5-16 mm²
 耐电压: AC3000V/1Min

※ **机械性能**
 扭力矩: 2.0Nm(17.5Lb-In.)
 环境温度: -40°C ~ +105°C
 剥线长度: 16mm

※ **材质和电镀**
 塑件 : PA66,UL94V-0
 螺丝 : M5,黄铜,镀锌
 载流体 : 紫铜,镀锌
 方盒 : 黄铜,镀锌



APPROVAL

※ Electrical		
Standard	UL	IEC
Rated voltage	600V	500V
Rated current	115A	101A
Wire range	10-2 AWG	10-25 mm ²
Withstanding voltage	AC3000V/1Min	

※ **Mechanical**

Torque	2.0Nm(17.5Lb-In.)	
Ambient temperature	-40°C ~ +105°C	
Strip length	19mm	

※ **Material**

Housing	PA66, UL94V-0	
Screws	M5, Brass, Ni plated	
Contact	Copper, Tin plated	
Cage	Steel, Cr ⁺⁺ Zn plated	

※ **电气性能**

参考标准:	UL	IEC
额定电压:	600V	500V
额定电流:	115A	101A
导线线径:	10-2 AWG	10-25 mm ²
耐电压:	AC3000V/1Min	

※ **机械性能**

扭力矩:	2.0Nm(17.5Lb-In.)	
环境温度:	-40°C ~ +105°C	
剥线长度:	19mm	

※ **材质和电镀**

塑件:	PA66, UL94V-0	
螺丝:	M5, 黄铜, 镀镍	
载流体:	紫铜, 镀锡	
方盒:	钢, 镀Cr ⁺⁺ 钝化彩锌	

APPROVAL

※ Electrical		
Standard	UL	IEC
Rated voltage	600V	500V
Rated current	115A	101A
Wire range	10-2 AWG	10-25 mm ²
Withstanding voltage	AC3000V/1Min	

※ **Mechanical**

Torque	2.0Nm(17.5Lb-In.)	
Ambient temperature	-40°C ~ +105°C	
Strip length	19mm	

※ **Material**

Housing	PA66, UL94V-0	
Screws	M5, Brass, Ni plated	
Contact	Copper, Tin plated	
Cage	Steel, Cr ⁺⁺ Zn plated	

※ **电气性能**

参考标准:	UL	IEC
额定电压:	600V	500V
额定电流:	115A	101A
导线线径:	10-2 AWG	10-25 mm ²
耐电压:	AC3000V/1Min	

※ **机械性能**

扭力矩:	2.0Nm(17.5Lb-In.)	
环境温度:	-40°C ~ +105°C	
剥线长度:	19mm	

※ **材质和电镀**

塑件:	PA66, UL94V-0	
螺丝:	M5, 黄铜, 镀镍	
载流体:	紫铜, 镀锡	
方盒:	钢, 镀Cr ⁺⁺ 钝化彩锌	

APPROVAL

※ Electrical		
Standard	UL	IEC
Rated voltage	600V	690V
Rated current	150A	150A
Wire range	6-1/0 AWG	16-50 mm ²
Withstanding voltage	AC3000V/1Min	

※ **Mechanical**

Torque	2.5Nm(22.15Lb-In.)	
Ambient temperature	-40°C ~ +105°C	
Strip length	24mm	

※ **Material**

Housing	PA66, UL94V-0	
Screws	M6, Brass, Ni plated	
Contact	Copper, Tin plated	
Cage	Steel, Cr ⁺⁺ Zn plated	

※ **电气性能**

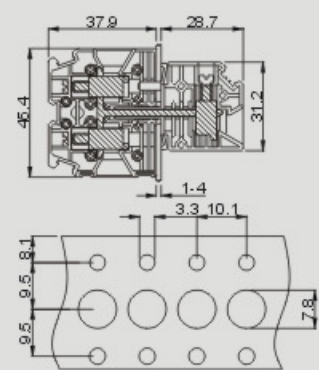
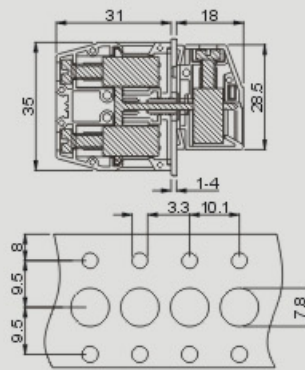
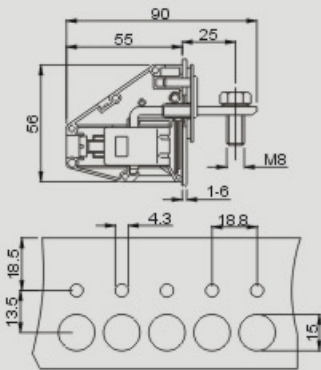
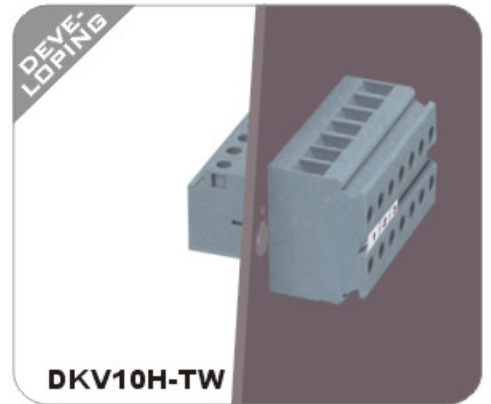
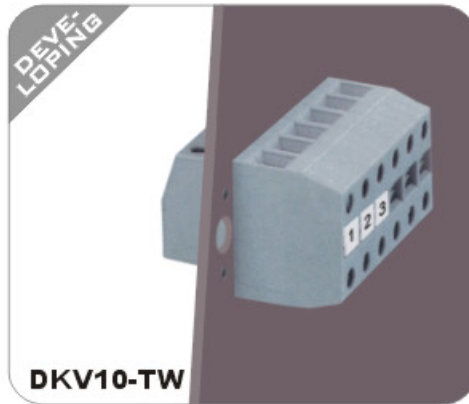
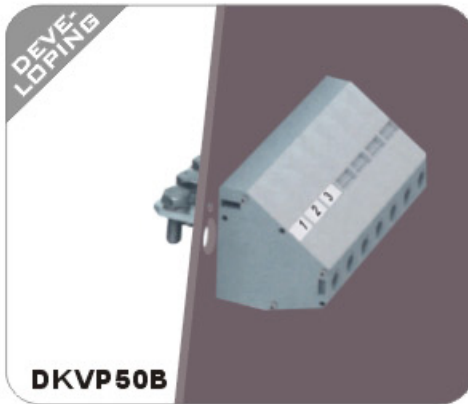
参考标准:	UL	IEC
额定电压:	600V	690V
额定电流:	150A	150A
导线线径:	6-1/0 AWG	16-50 mm ²
耐电压:	AC3000V/1Min	

※ **机械性能**

扭力矩:	2.5Nm(22.15Lb-In.)	
环境温度:	-40°C ~ +105°C	
剥线长度:	24mm	

※ **材质和电镀**

塑件:	PA66, UL94V-0	
螺丝:	M6, 黄铜, 镀镍	
载流体:	紫铜, 镀锡	
方盒:	钢, 镀Cr ⁺⁺ 钝化彩锌	



APPROVAL

※ **Electrical**
 Standard : UL IEC
 Rated voltage : 600V 690V
 Rated current : 150A 150A
 Wire range : 6-1/0 AWG 16-50 mm²
 Withstanding voltage : AC3000V/1Min

※ **Mechanical**

Torque : 2.5Nm (22.15Lb-In.)
 Ambient temperature : -40°C ~ +105°C
 Strip length : 24mm

※ **Material**

Housing : PA66, UL94V-0
 Screws : M6, Brass, Ni plated
 Contact : Copper, Tin plated
 Cage : Steel, Cr⁺⁺ Zn plated

※ **电气性能**

参考标准: UL IEC
 额定电压: 600V 690V
 额定电流: 150A 150A
 导线线径: 6-1/0 AWG 16-50 mm²
 耐电压: AC3000V/1Min

※ **机械性能**

扭力矩: 2.5Nm (22.15Lb-In.)
 环境温度: -40°C ~ +105°C
 剥线长度: 24mm

※ **材质和电镀**

塑件 : PA66, UL94V-0
 螺丝 : M6, 黄铜, 镀镍
 载流体 : 紫铜, 镀锡
 方盒 : 钢, 镀Cr⁺⁺钝化彩锌

APPROVAL

※ **Electrical**
 Standard : UL IEC
 Rated voltage : 300V 400V
 Rated current : 65A 57A
 Wire range : 20-6 AWG 0.5-10 mm²
 Withstanding voltage : AC2500V/1Min

※ **Mechanical**

Torque : 1.2Nm (10.5Lb-In.)
 Ambient temperature : -40°C ~ +105°C
 Strip length : 11mm

※ **Material**

Housing : PA66, UL94V-0
 Screws : M4, Brass, Ni plated
 Contact : Copper, Tin plated
 Cage : Brass, Ni plated

※ **电气性能**

参考标准: UL IEC
 额定电压: 300V 400V
 额定电流: 65A 57A
 导线线径: 20-6 AWG 0.5-10 mm²
 耐电压: AC2500V/1Min

※ **机械性能**

扭力矩: 1.2Nm (10.5Lb-In.)
 环境温度: -40°C ~ +105°C
 剥线长度: 11mm

※ **材质和电镀**

塑件 : PA66, UL94V-0
 螺丝 : M4, 黄铜, 镀镍
 载流体 : 紫铜, 镀锡
 方盒 : 黄铜, 镀镍

APPROVAL

※ **Electrical**
 Standard : UL IEC
 Rated voltage : 600V 500V
 Rated current : 65A 57A
 Wire range : 20-6 AWG 0.5-10 mm²
 Withstanding voltage : AC3000V/1Min

※ **Mechanical**

Torque : 1.2Nm (10.5Lb-In.)
 Ambient temperature : -40°C ~ +105°C
 Strip length : 10mm

※ **Material**

Housing : PA66, UL94V-0
 Screws : M4, Brass, Ni plated
 Contact : Copper, Tin plated
 Cage : Brass, Ni plated

※ **电气性能**

参考标准: UL IEC
 额定电压: 600V 500V
 额定电流: 65A 57A
 导线线径: 20-6 AWG 0.5-10 mm²
 耐电压: AC3000V/1Min

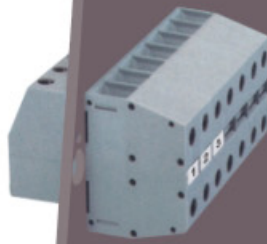
※ **机械性能**

扭力矩: 1.2Nm (10.5Lb-In.)
 环境温度: -40°C ~ +105°C
 剥线长度: 10mm

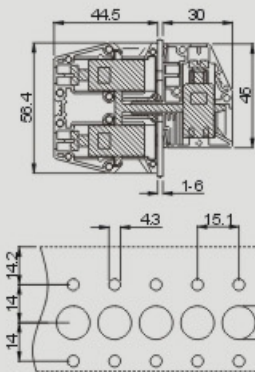
※ **材质和电镀**

塑件 : PA66, UL94V-0
 螺丝 : M4, 黄铜, 镀镍
 载流体 : 紫铜, 镀锡
 方盒 : 黄铜, 镀镍

DEVELOPING



DKV25-TW



APPROVAL :

※ **Electrical**

Standard	: UL	IEC
Rated voltage	: 600V	500V
Rated current	: 115A	101A
Wire range	: 10-2 AWG	10-25 mm ²
Withstanding voltage	: AC3000V/1Min	

※ **Mechanical**

Torque	: 2.0Nm(17.5Lb-In.)
Ambient temperature	: -40°C ~ +105°C
Strip length	: 19mm

※ **Material**

Housing	: PA66, UL94V-0
Screws	: M5, Brass, Ni plated
Contact	: Copper, Tin plated
Gage	: Steel, Cr ²⁺ Zn plated

※ **电气性能**

参考标准	: UL	IEC
额定电压	: 600V	500V
额定电流	: 115A	101A
导线线径	: 10-2 AWG	10-25 mm ²
耐电压	: AC3000V/1Min	

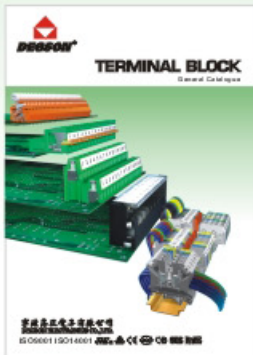
※ **机械性能**

扭力矩	: 2.0Nm(17.5Lb-In.)
环境温度	: -40°C ~ +105°C
剥线长度	: 19mm

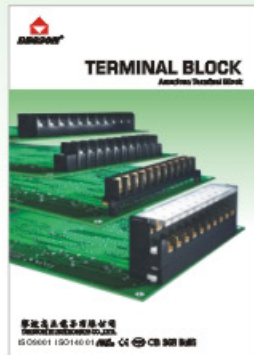
※ **材质和电镀**

塑件	: PA66, UL94V-0
螺丝	: M5, 黄铜, 镀锌
载流体	: 紫铜, 镀锡
方盒	: 钢, 镀Cr ²⁺ 钝化彩锌

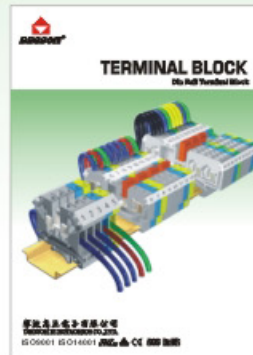
If you need the following catalogues, please feel free to contact us.
 如需以下目录，请联系我们。



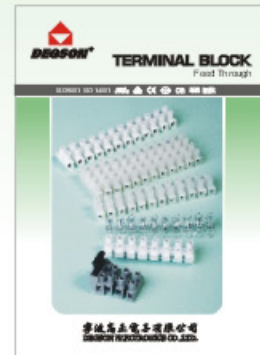
General Catalogue



American Terminal Block



Din Rail Terminal Block



Feed Through Terminal Block



Heavy Duty Connector



OEM/ODM



DEGSON®

DEGSON ELECTRONICS CO.,LTD.

ADD: NO 333 XIAOLIN ROAD CIXI NINGBO CHINA

P.C: 315321

TEL: +86-574-63510770 63504258

FAX: +86-574-63508989 63501000

E-mail: sale@degson.com

Http://www.degson.com

宁波高正电子有限公司

地址: 中国宁波慈溪逍林大道333号

邮编: 315321

电话: +86-574-63515551 63515552

传真: +86-574-63502700 63507998

E-mail: info@degson.com

Http://www.degson.com

The catalog is only for reference, and the detail data must be based on our company's specification!

样本仅供参考，具体数据以本公司提供的规格书为准！

DEGSON®

Euro Terminal Block