



Exhaust Fans & Fan/Lights

676EX

671EX

688EX

679EX



Utility Fans

509EX

512MEX



Multi-Port Ventilators

MP100EX

MP140EX

MP200EX

Click on a model number to access additional product information.

Exhaust Fans - Premium

Model No.	CFM	Sones	Amps	Volts	Hz	Duct
676EX	110	4.0	1.30	240	50/60	4" Round

Exhaust Fans - Standard

Model No.	CFM	Sones	Amps	Volts	Hz	Duct
671EX	70	6.0	1.15	220/240	50/60	3" Round

Exhaust Fans - Economy

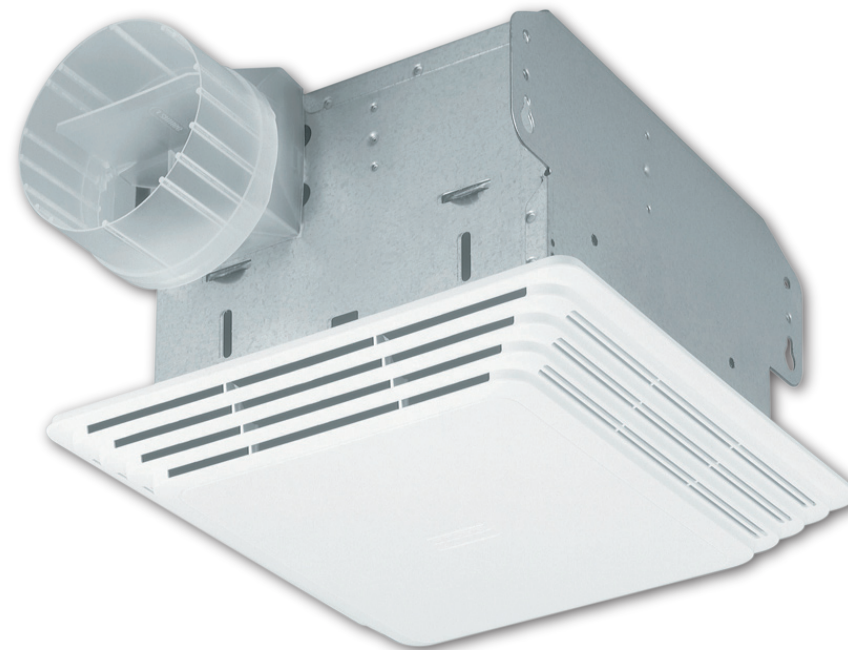
Model No.	CFM	Sones	Amps	Volts	Hz	Duct
688EX	50	4.0	0.70	240	50/60	3" Round

Exhaust Fan/Light Combinations

Model No.	CFM	Sones	Amps	Volts	Hz	Duct
679EX	70	3.5	2.00	220/240	50/60	4" Round

Sone ratings are estimates only.

Minimum order quantities and lead times may vary.
Click [HERE](#) to request additional information.



676EX Ceiling Mount Exhaust Fan

- Centrifugal blower wheel and 4-pole motor deliver high exhaust capacity at low sound levels
- White polymeric grille complements virtually any décor
- Mounting ears offer sturdy, quick installation
- Torsion spring grille mounting – no tools necessary

Click on a model number to access additional product information.

Exhaust Fans - Premium

Model No.	CFM	Sones	Amps	Volts	Hz	Duct
676EX	110	4.0	1.30	240	50/60	4" Round

Exhaust Fans - Standard

Model No.	CFM	Sones	Amps	Volts	Hz	Duct
671EX	70	6.0	1.15	220/240	50/60	3" Round

Exhaust Fans - Economy

Model No.	CFM	Sones	Amps	Volts	Hz	Duct
688EX	50	4.0	0.70	240	50/60	3" Round

Exhaust Fan/Light Combinations

Model No.	CFM	Sones	Amps	Volts	Hz	Duct
679EX	70	3.5	2.00	220/240	50/60	4" Round

Sone ratings are estimates only.

Minimum order quantities and lead times may vary.
Click [HERE](#) to request additional information.



671EX Ceiling/Wall Mount Exhaust Fans

- Powerful centrifugal blower wheel
- Torsion spring grille mounting – no tools necessary
- Compact housing fits between ceiling joists or wall studs
- Double-strength steel mounting flanges with keyhole slots for fast installation

Click on a model number to access additional product information.

Exhaust Fans - Premium

Model No.	CFM	Sones	Amps	Volts	Hz	Duct
676EX	110	4.0	1.30	240	50/60	4" Round

Exhaust Fans - Standard

Model No.	CFM	Sones	Amps	Volts	Hz	Duct
671EX	70	6.0	1.15	220/240	50/60	3" Round

Exhaust Fans - Economy

Model No.	CFM	Sones	Amps	Volts	Hz	Duct
688EX	50	4.0	0.70	240	50/60	3" Round

Exhaust Fan/Light Combinations

Model No.	CFM	Sones	Amps	Volts	Hz	Duct
679EX	70	3.5	2.00	220/240	50/60	4" Round

Sone ratings are estimates only.

Minimum order quantities and lead times may vary.
Click [HERE](#) to request additional information.



688EX Ceiling/Wall Mount Exhaust Fan

- Torsion spring grille mounting – no tools necessary
- Compact housing fits between ceiling joists or wall studs
- Double-strength steel mounting flanges with keyhole slots for fast installation
- Covered by U.S. and foreign patents

Click on a model number to access additional product information.

Exhaust Fans - Premium

Model No.	CFM	Sones	Amps	Volts	Hz	Duct
676EX	110	4.0	1.30	240	50/60	4" Round

Exhaust Fans - Standard

Model No.	CFM	Sones	Amps	Volts	Hz	Duct
671EX	70	6.0	1.15	220/240	50/60	3" Round

Exhaust Fans - Economy

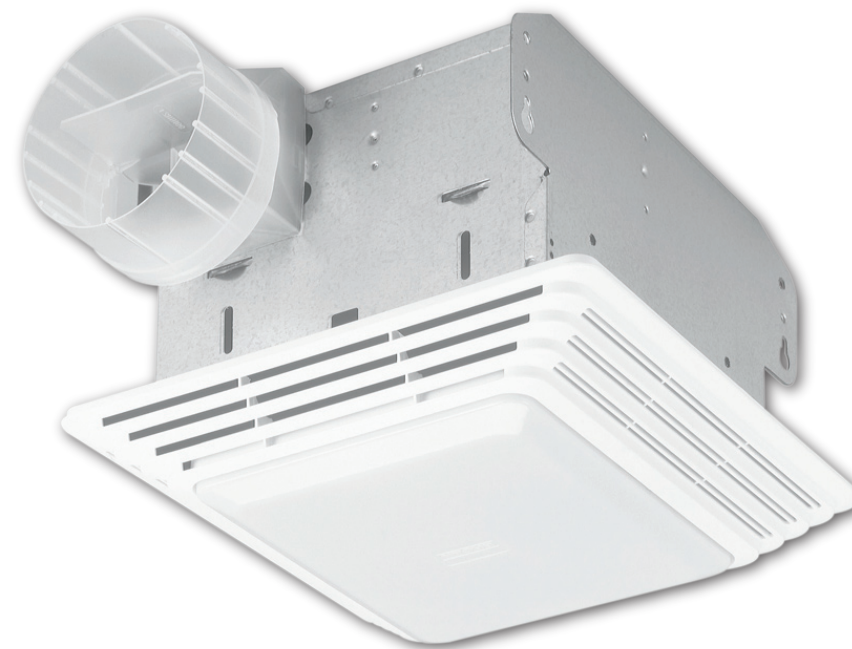
Model No.	CFM	Sones	Amps	Volts	Hz	Duct
688EX	50	4.0	0.70	240	50/60	3" Round

Exhaust Fan/Light Combinations

Model No.	CFM	Sones	Amps	Volts	Hz	Duct
679EX	70	3.5	2.00	220/240	50/60	4" Round

Sone ratings are estimates only.

Minimum order quantities and lead times may vary.
Click [HERE](#) to request additional information.



679EX Ceiling Mount Exhaust Fan/Light

- Bright 100-watt lighting capacity (bulb not included)
- Classic white polymeric grille
- Plug-in, permanently lubricated motor
- Mounting ears offer sturdy, quick installation
- Shatter resistant lighting lens

Click on a model number to access additional product information.

Through-Wall

Model No.	CFM	Sones	Amps	Volts	Hz	Duct
509EX	180	5.0	1.50	240	50	—
512MEX	90	3.5	1.00	240	50/60	—

Sone ratings are estimates only.
Amps are rated at a total connected load.

Minimum order quantities and lead times may vary.
Click [HERE](#) to request additional information.



509EX Through-Wall Utility Fan

- Housing adjusts to fit walls from 4-1/2" to 9-1/2" thick
- Specially designed polymeric fan blade
- Built-in damper minimizes backdrafts
- Paintable, low-profile white polymeric grille

509EX
Data Sheet

Click on a model number to access additional product information.

Through-Wall

Model No.	CFM	Sones	Amps	Volts	Hz	Duct
509EX	180	5.0	1.50	240	50	—
512MEX	90	3.5	1.00	240	50/60	—

Sone ratings are estimates only.
Amps are rated at a total connected load.

Minimum order quantities and lead times may vary.
Click [HERE](#) to request additional information.



512MEX Through-Wall Utility Fan

- Through the wall ventilator for easy exterior wall installation
- Features a white interior grille and a louvered exterior wall cap with built-in bird screen
- 6" diameter flexible aluminum duct included
- Accommodates walls from 5-1/4" to 10"

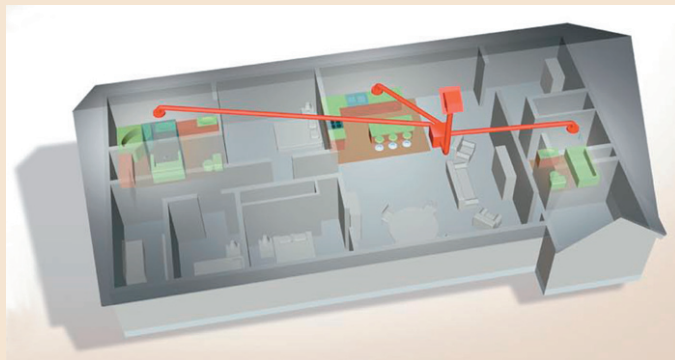
[512MEX
Data Sheet](#)

Click on a model number to access additional product information.

Multi-Port In-Line Ventilators

Model No.	CFM	Amps	Volts	Hz	RPM	Notes
MP100EX	102	0.2	240	50	2545	Four inlets
MP140EX	138	0.3	240	50	2725	Four inlets
MP200EX	182	0.5	240	50	2710	Four inlets

CFM rated @ 0.2" Ps.



Minimum order quantities and lead times may vary.
Click [HERE](#) to request additional information.



MP100EX, MP140EX and MP200EX Multi-Port In-Line Ventilators

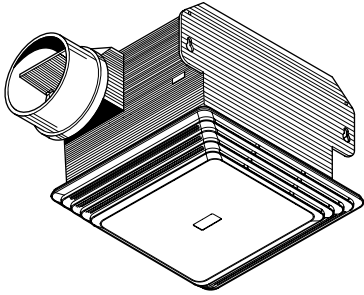
- Ventilate multiple bathrooms or other rooms simultaneously
- Great solution for large, open spaces
- Install in virtually any orientation
- 6" round outlet; 4" round inlets (two inlet duct covers included)
- Use 2, 3, or all 4 inlets
- Removable panels offer easy access to the motor without disturbing ductwork
- Suitable for intermittent or continuous ventilation applications

[MP100EX
Data Sheet](#)

[MP140EX
Data Sheet](#)

[MP200EX
Data Sheet](#)

MODEL 676EX CEILING MOUNT EXHAUST FAN



Dependable, high performance bathroom ventilation.

FEATURES

GRILLE:

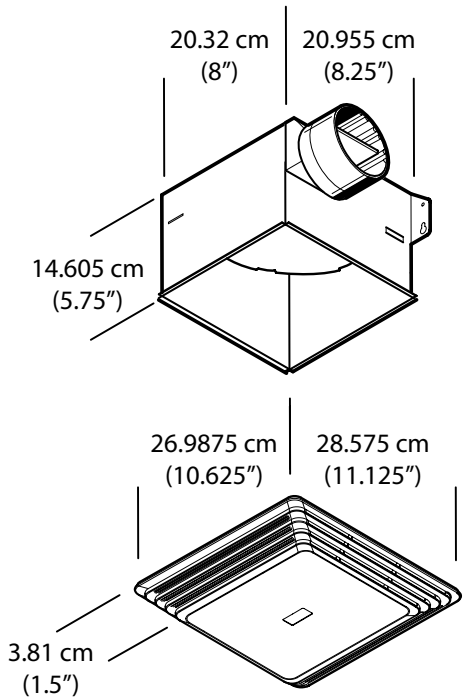
- Attractive grille conceals interior
- Matte white polymeric – blends well with any décor
- Torsion spring grille mounting – no tools necessary

BLOWER:

- Plug-in, permanently lubricated motor
- Centrifugal blower wheel

HOUSING:

- Rugged, 26-gauge galvanized steel construction
- Sturdy key-holed mounting brackets for quick, accurate installation
- Tapered, polymeric duct fitting with built-in backdraft damper for easy, positive duct connection and no metallic clatter

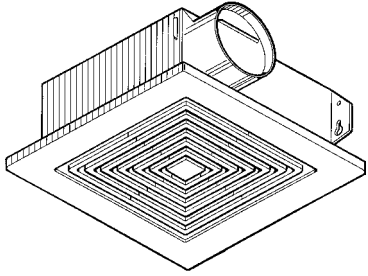


PRODUCT DETAILS

Model	CFM	Sones	Amps	Volts	Hz	Duct	Individual Carton			
							Weight (kg)	Length (cm)	Width (cm)	Height (cm)
676EX	110	4.0	1.30	240	50/60	4" Rd	3.64	30.48	25.40	33.02

CFM rated @ 0.1" Ps. Sones are estimates only. Amps are rated at a total connected load.

MODEL 671EX CEILING/WALL MOUNT EXHAUST FAN



Simple installation and dependability make this odor and moisture removing fan a real value.

FEATURES

GRILLE:

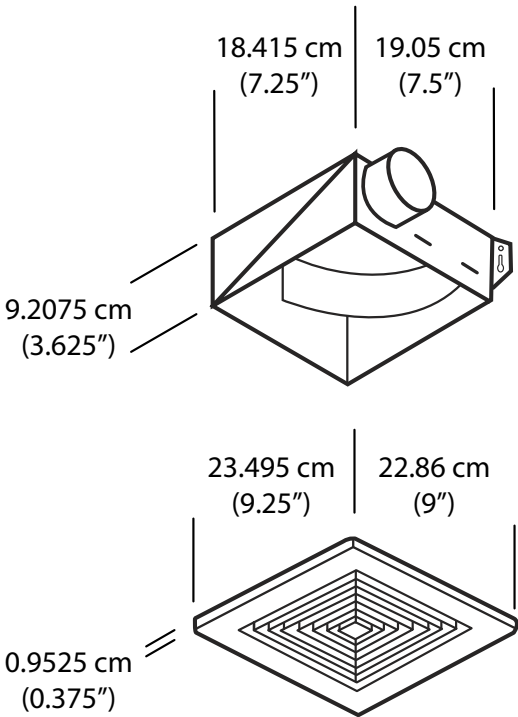
- White polymeric – blends well with any décor
- Torsion spring grille mounting – no tools necessary

BLOWER:

- Plug-in, permanently lubricated motor
- Broan-designed polymeric blower wheel
- Snap in/out motor assembly for easy cleaning – no screws to drive or drop

HOUSING:

- Compact, 25-gauge galvanized steel – attaches easily to wall or ceiling joists
- Double strength mounting flanges with keyhole slots
- Removable wiring cover – make connections away from tight corners
- No electrical knockout to remove
- Polymeric duct fitting with tapered sleeve for easy, positive duct connection
- Quiet polymeric damper prevents cold backdrafts – no metallic clatter

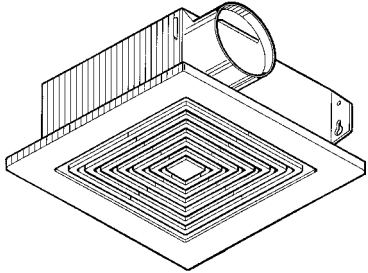


PRODUCT DETAILS

Model	CFM	Sones	Amps	Volts	Hz	Duct	Individual Carton			
							Weight (kg)	Length (cm)	Width (cm)	Height (cm)
671EX	70	6.0	1.15	220/240	50/60	3" Rd	2.04	25.40	12.70	25.40

CFM rated @ 0.1" Ps. Sones are estimates only. Amps are rated at a total connected load.

MODEL 688EX CEILING/WALL MOUNT EXHAUST FAN



Simple installation and dependability make this odor and moisture removing fan a real value.

FEATURES

- UL Listed for use over bathtubs and showers when connected to a GFCI protected branch circuit

GRILLE:

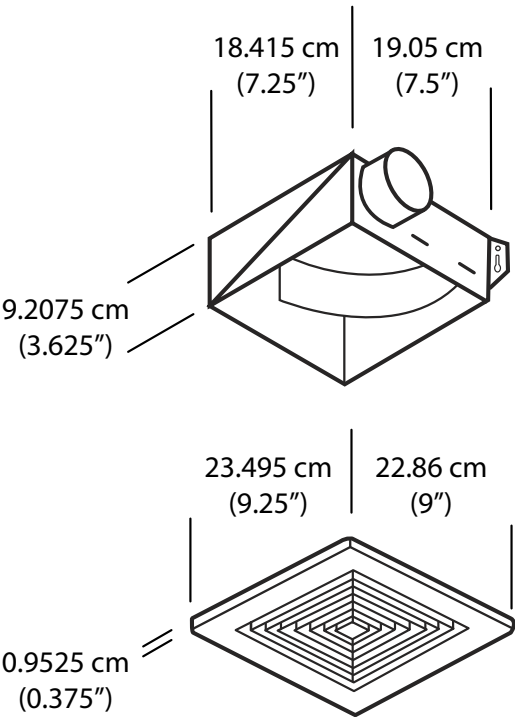
- White polymeric – blends well with any décor
- Torsion spring grille mounting – no tools necessary

BLOWER:

- Plug-in, permanently lubricated motor
- Broan-designed polymeric blower wheel
- Snap in/out motor assembly for easy cleaning – no screws to drive or drop

HOUSING:

- Compact, 25-gauge galvanized steel – attaches easily to wall or ceiling joists
- Double strength mounting flanges with keyhole slots
- Removable wiring cover – make connections away from tight corners
- No electrical knockout to remove
- Polymeric duct fitting with tapered sleeve for easy, positive duct connection
- Quiet polymeric damper prevents cold backdrafts – no metallic clatter

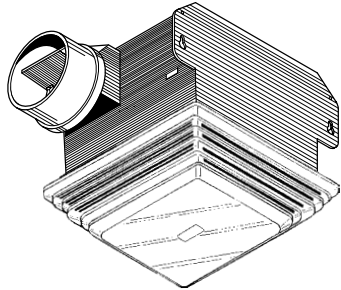


PRODUCT DETAILS

Model	CFM	Sones	Amps	Volts	Hz	Duct	Individual Carton			
							Weight (kg)	Length (cm)	Width (cm)	Height (cm)
688EX	50	4.0	0.70	240	50/60	3" Rd	2.27	25.40	12.70	25.40

CFM rated @ 0.1" Ps. Sones are estimates only. Amps are rated at a total connected load.

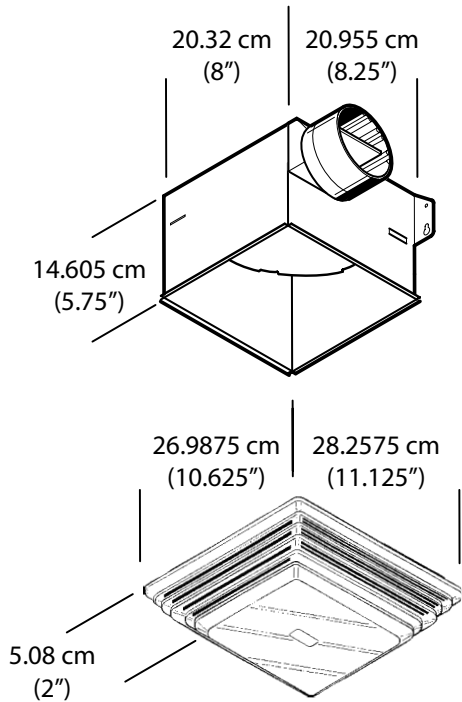
MODEL 679EX CEILING MOUNT EXHAUST FAN/LIGHT



Quality and double-duty at each installation location.

FEATURES

- For installation in ceilings up to a 12/12 pitch
- GRILLE:
- Matte white polymeric – blends well with any décor
 - Built-in light-diffusing lens accepts up to 100W incandescent lamp (bulb not included)
- BLOWER:
- Plug-in, permanently lubricated motor
 - Polymeric blower wheel
- HOUSING:
- Rugged, 26-gauge galvanized steel construction
 - Sturdy key-holed mounting brackets for quick, accurate installation
 - Tapered, polymeric duct fitting with built-in backdraft damper for easy, positive duct connection and no metallic clatter

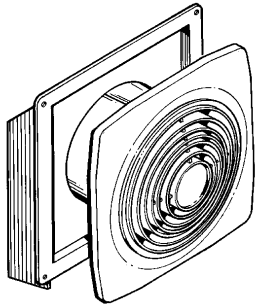


PRODUCT DETAILS

Model	CFM	Sones	Amps	Volts	Hz	Duct	Individual Carton			
							Weight (kg)	Length (cm)	Width (cm)	Height (cm)
679EX	70	3.5	2.00	220/240	50/60	4" Rd	3.18	30.48	25.40	33.02

CFM rated @ 0.1" Ps. Sones are estimates only. Amps are rated at a total connected load.

MODEL 509EX THROUGH-WALL UTILITY FAN



Efficient ventilation for a variety of applications.

FEATURES

GRILLE:

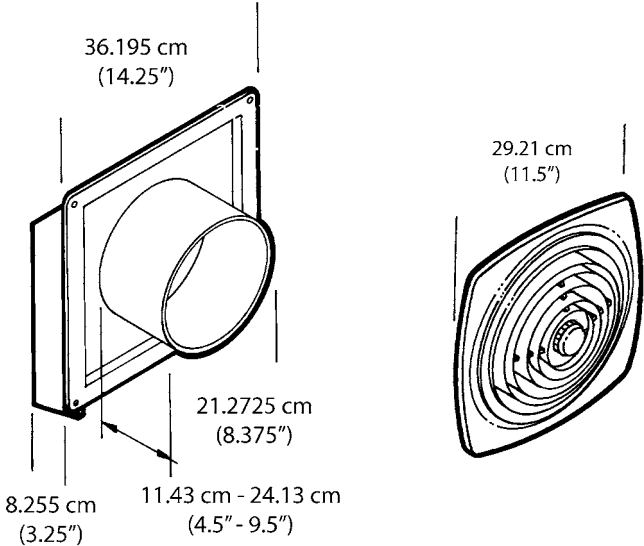
- Contemporary styled grille complements modern décor
- White polymeric grille can be painted to match any décor
- Aluminum filter available – purchase separately

BLOWER:

- Motor assembly offers fast, easy “twist-lock” installation
- Permanently lubricated, thermally protected, plug-in motor
- Specially designed polymeric fan blade

HOUSING:

- Housing adjusts to fit walls from 4-1/2” to 9-1/2” thick
- Rugged steel housing with modern profile on outer weather hood
- Long-lasting electrically-bonded epoxy coating can be painted to match outdoor styling
- Built-in backdraft damper

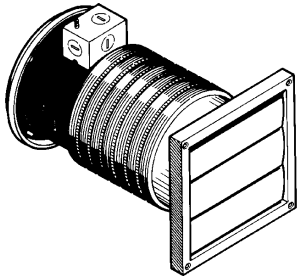


PRODUCT DETAILS

Model	CFM	Sones	Amps	Volts	Hz	Duct	Individual Carton			
							Weight (kg)	Length (cm)	Width (cm)	Height (cm)
509EX	180	5.0	1.50	240	50	–	5.97	50.80	27.94	38.10

Sones are estimates only. Amps are rated at a total connected load.

MODEL 512MEX THROUGH-WALL UTILITY FAN



Economy, versatility and performance in a thru-the-wall ventilator.

FEATURES

INTERIOR GRILLE:

- White polymeric complements any décor

MOTOR:

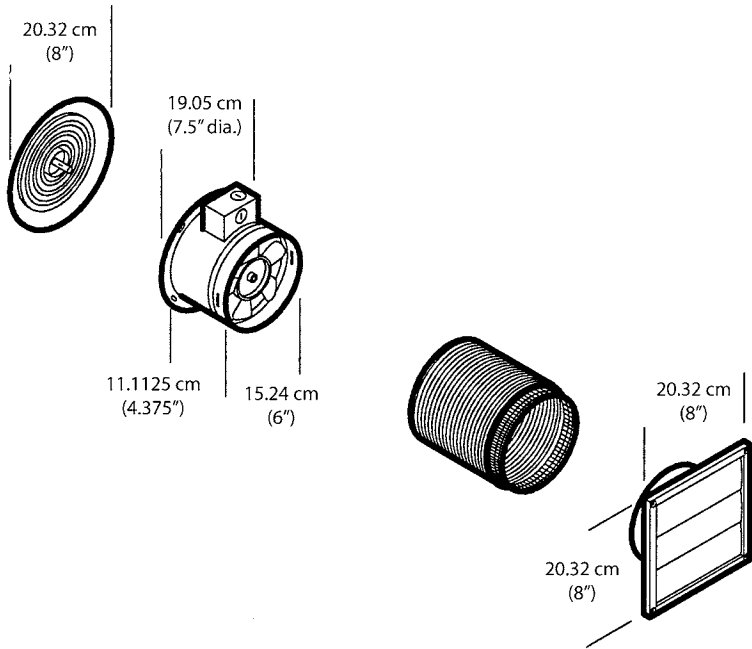
- Plug-in, thermally protected, permanently lubricated
- Quiet, durable polymeric blade
- Motor assembly features fast, easy “twist-lock” installation

HOUSING:

- Steel housing finished with electrically-bonded epoxy paint
- Can be installed in outside walls from 5-1/4” to 10” thick (walls less than 6” thick will not use the 6” dia. flexible duct)
- Use with variable speed control or wall switch

EXTERIOR WALL CAP:

- Louvered white polymeric material
- Integral birdscreen
- 6” dia. flexible ducting included

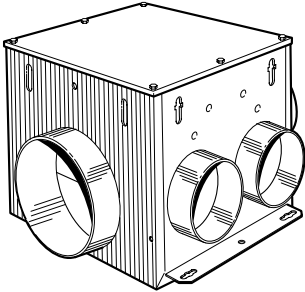


PRODUCT DETAILS

Model	CFM	Sones	Amps	Volts	Hz	Duct	Individual Carton			
							Weight (kg)	Length (cm)	Width (cm)	Height (cm)
512MEX	90	3.5	1.00	240	50/60	—	1.50	21.59	21.59	25.40

Sones are estimates only. Amps are rated at a total connected load.

MODEL MP100EX MULTI-PORT IN-LINE VENTILATOR



Improves overall indoor air quality throughout all levels of the house.

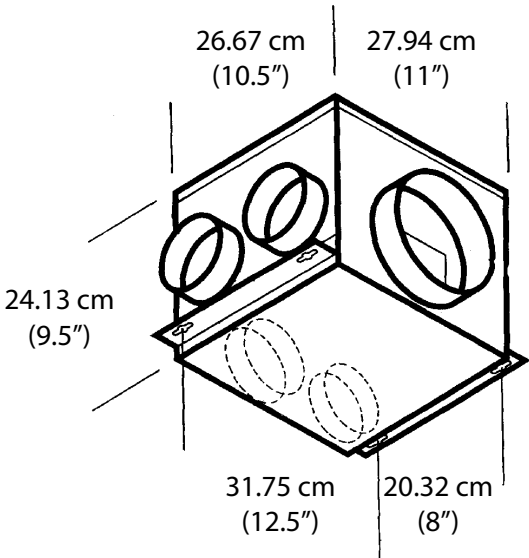
FEATURES

BLOWER:

- High pressure, centrifugal blower accommodates many ducting configurations
- Motors designed for continuous operation
- Permanently lubricated motor assures worry-free operation
- Permanent Split Capacitor (PSC) motor used for quiet operation and low power consumption
- Plug-in motor rated at 220/240 VAC, 50/60 Hz operation

HOUSING:

- Rugged 20-gauge steel housing finished with electrically-bonded epoxy paint
- May be installed in virtually any orientation – ceiling, wall, or floor
- In-Line installation assures quiet operation
- Easily removable panel permits quick access to blower for cleaning and servicing without disturbing ductwork
- Four (4) 10.16 cm round inlets and 15.24 cm round outlet for easy duct connections
- All wiring and ductwork can be connected from the outside of the housing – no need to remove access panel or blower

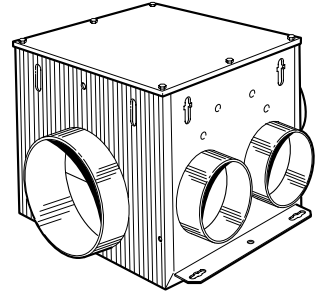


PRODUCT DETAILS – SEE REVERSE SIDE FOR ADDITIONAL PERFORMANCE RATINGS

Model	CFM*	Amps	Volts	Hz	RPM	Individual Carton			
						Weight (kg)	Length (cm)	Width (cm)	Height (cm)
MP100EX	102	0.2	240	50	2545	7.26	35.54	38.10	30.02

*CFM rated @ 0.2" Ps.

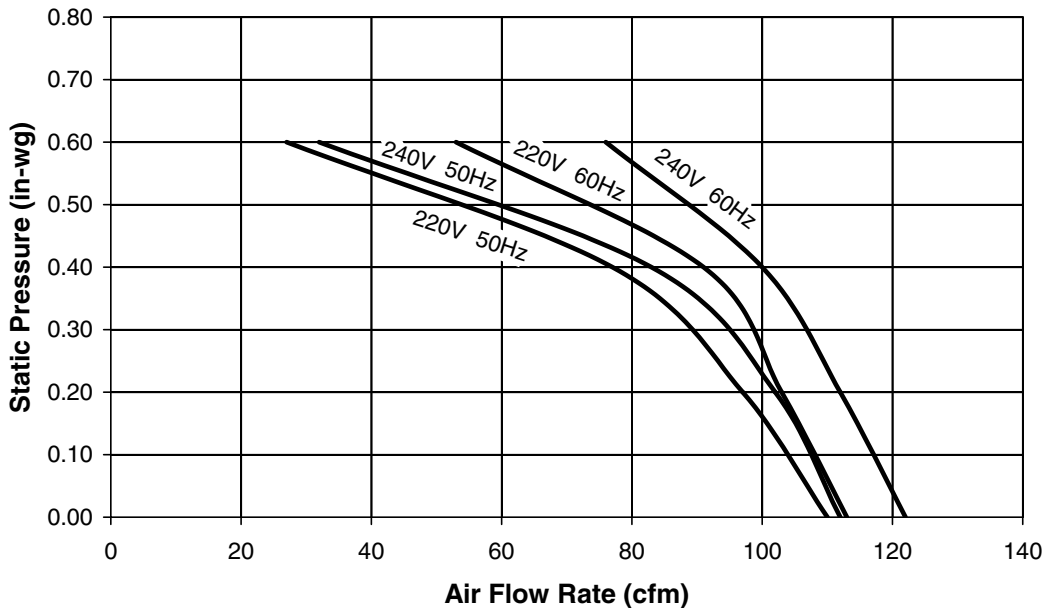
MODEL MP100EX MULTI-PORT IN-LINE VENTILATOR



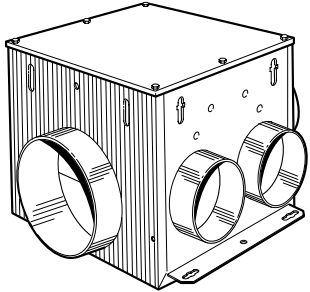
PERFORMANCE RATINGS

Model	CFM @ Static Pressure (PS - inches of H ₂ O)					Volts	Hz	Amps	Nominal RPM	Duct Size
	0.0	0.2	0.4	0.6	0.8					
MP100EX	110	97	77	27	-	220	50	0.2	2475	6" Round
	113	103	91	53	-	220	60	0.3	2590	6" Round
	115	102	83	32	-	240	50	0.2	2545	6" Round
	122	112	100	76	-	240	60	0.3	2740	6" Round

MP100EX



MODEL MP140EX MULTI-PORT IN-LINE VENTILATOR



Improves overall indoor air quality throughout all levels of the house.

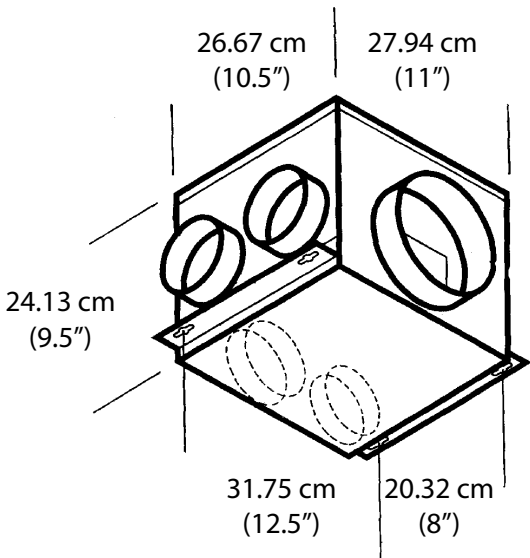
FEATURES

BLOWER:

- High pressure, centrifugal blower accommodates many ducting configurations
- Motors designed for continuous operation
- Permanently lubricated motor assures worry-free operation
- Permanent Split Capacitor (PSC) motor used for quiet operation and low power consumption
- Plug-in motor rated at 220/240 VAC, 50/60 Hz operation

HOUSING:

- Rugged 20-gauge steel housing finished with electrically-bonded epoxy paint
- May be installed in virtually any orientation – ceiling, wall, or floor
- In-Line installation assures quiet operation
- Easily removable panel permits quick access to blower for cleaning and servicing without disturbing ductwork
- Four (4) 10.16 cm round inlets and 15.24 cm round outlet for easy duct connections
- All wiring and ductwork can be connected from the outside of the housing – no need to remove access panel or blower

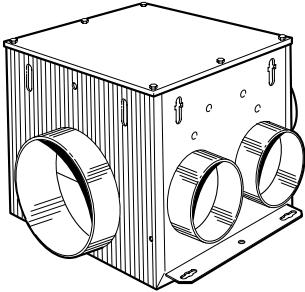


PRODUCT DETAILS – SEE REVERSE SIDE FOR ADDITIONAL PERFORMANCE RATINGS

Model	CFM*	Amps	Volts	Hz	RPM	Individual Carton			
						Weight (kg)	Length (cm)	Width (cm)	Height (cm)
MP140EX	138	0.3	240	50	2725	7.26	35.54	38.10	30.02

*CFM rated @ 0.2" Ps.

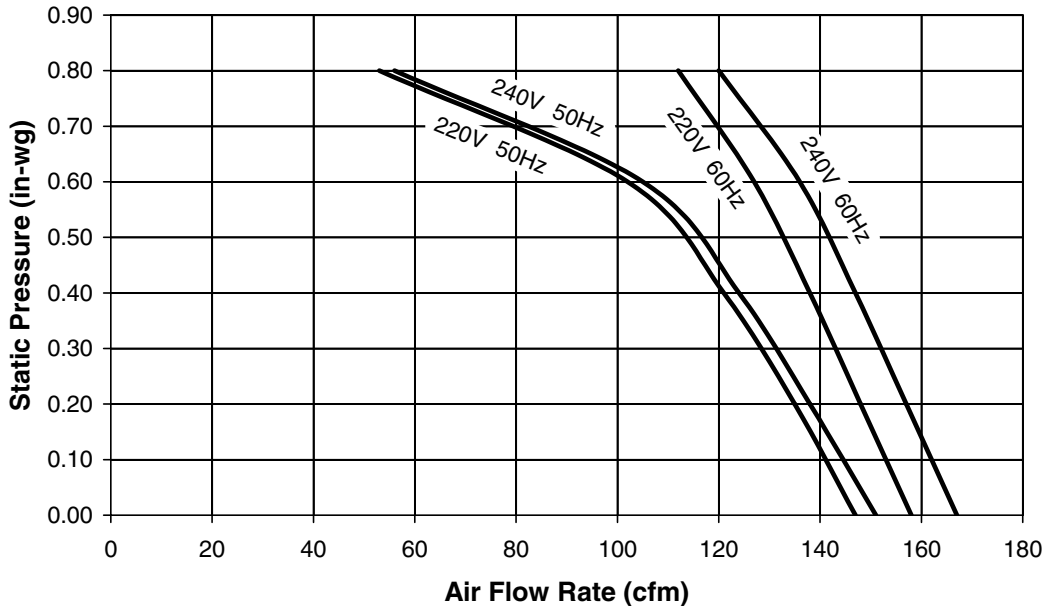
MODEL MP140EX MULTI-PORT IN-LINE VENTILATOR



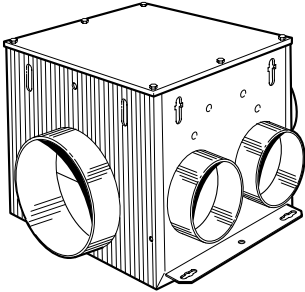
PERFORMANCE RATINGS

Model	CFM @ Static Pressure (PS - inches of H ₂ O)					Volts	Hz	Amps	Nominal RPM	Duct Size
	0.0	0.2	0.4	0.6	0.8					
MP140EX	147	135	121	102	53	220	50	0.3	2675	6" Round
	158	148	138	127	112	220	60	0.4	2900	6" Round
	151	138	124	105	56	240	50	0.3	2725	6" Round
	167	157	147	136	120	240	60	0.4	3045	6" Round

MP140EX



MODEL MP200EX MULTI-PORT IN-LINE VENTILATOR



Improves overall indoor air quality throughout all levels of the house.

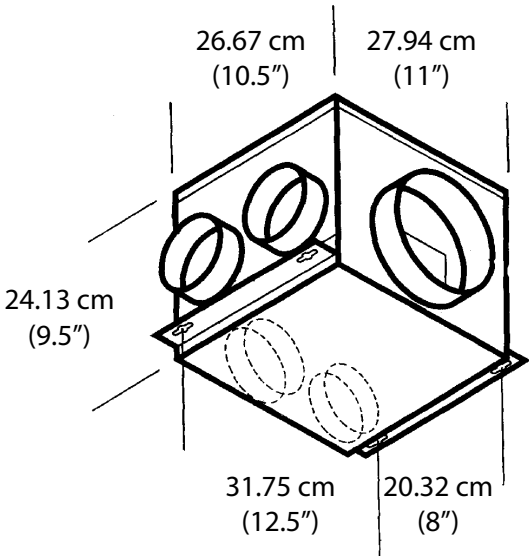
FEATURES

BLOWER:

- High pressure, centrifugal blower accommodates many ducting configurations
- Motors designed for continuous operation
- Permanently lubricated motor assures worry-free operation
- Permanent Split Capacitor (PSC) motor used for quiet operation and low power consumption
- Plug-in motor rated at 220/240 VAC, 50/60 Hz operation

HOUSING:

- Rugged 20-gauge steel housing finished with electrically-bonded epoxy paint
- May be installed in virtually any orientation – ceiling, wall, or floor
- In-Line installation assures quiet operation
- Easily removable panel permits quick access to blower for cleaning and servicing without disturbing ductwork
- Four (4) 10.16 cm round inlets and 15.24 cm round outlet for easy duct connections
- All wiring and ductwork can be connected from the outside of the housing – no need to remove access panel or blower

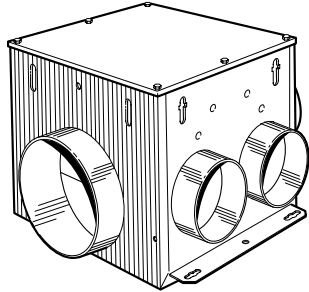


PRODUCT DETAILS – SEE REVERSE SIDE FOR ADDITIONAL PERFORMANCE RATINGS

Model	CFM*	Amps	Volts	Hz	RPM	Individual Carton			
						Weight (kg)	Length (cm)	Width (cm)	Height (cm)
MP200EX	171	0.5	240	50	2710	7.26	35.54	38.10	30.02

*CFM rated @ 0.2" Ps.

MODEL MP200EX MULTI-PORT IN-LINE VENTILATOR



PERFORMANCE RATINGS

Model	CFM @ Static Pressure (PS - inches of H ₂ O)					Volts	Hz	Amps	Nominal RPM	Duct Size
	0.0	0.2	0.4	0.6	0.8					
MP200EX	179	169	155	138	110	220	50	0.5	2675	6" Round
	197	189	179	168	154	220	60	0.6	2965	6" Round
	182	171	157	140	113	240	50	0.5	2710	6" Round
	206	197	187	176	162	240	60	0.6	3070	6" Round

MP200EX

