

product
catalog

BEST
LIGHTING PRODUCTS



take a look inside to see what's new at Best Lighting Products...

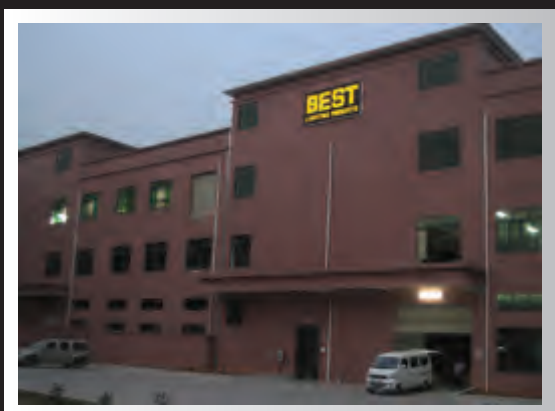


ENGINEERING & MANUFACTURING SOLUTIONS FROM BEST LIGHTING PRODUCTS

Concept, Engineer, Prototype, Manufacture, Distribute.

Bring your new product idea **full circle** with Best Lighting.

*Our combined capabilities add up to significant cost reductions
and added value on your OEM products!*



*Engineering & Manufacturing Facility
Changping Town, Dongguan City CHINA*

Best Lighting Products announces **FABRICATION DIRECT**... an entirely new manufacturing and logistics system that is specifically targeted to the needs and requirements of the OEM. At the center of **FABRICATION DIRECT** is the recent opening of our wholly-owned 100,000 sq.ft. manufacturing facility in Southern China. Our new facility and expanded capabilities now feature: Injection molding production line up to 350 ton, Photometric Testing Lab, SMD/SMT PCB production lines, Wave Solder Machines, PCB population lines and assembly lines, LED manufacturing equipment including CHIP EXTRACTION MACHINE, LED SHELL MOLDING, and LIGHT OUTPUT SORTING.

All of Best Lighting's combined capabilities add up to significant cost reductions and added value on your OEM products!

From concept to engineering to prototype fabrication, Best Lighting has the unique ability to influence and accelerate the time it takes to move our products through the arduous and rigorous testing and certification processes with Underwriters Laboratories (UL). Best Lighting's engineering & manufacturing capabilities not only increase your speed to market, but also increase the value of the products you sell. Contact Best Lighting Products at one of our three locations across the U.S.

Home Office & Central Distribution

1213 Etna Parkway
Pataskala, Ohio USA
740-964-1198

Philadelphia Sales Office

1210 Northbrook Drive, Suite 135
Trevose, Pennsylvania USA
215-244-4495

West Coast Operations & Distribution

6865 Speedway Blvd, Suite Q108
Las Vegas, Nevada USA
702-644-2070

www.bestlighting.net

Table of Contents

 Exit Lighting	2
EZXT, CXTE, EZXT-RC, CXTE-RC, EZRXT, CXLP, WLXT, CWLXT, ELXT, RELZXT, KXT, CKXT, KXLPTE, SXTE, SLXT, NYXT, CNYXT, CNYXT-LED, NYELXT, NYRELXT, NYKXT, CA, CXP, CEX, XT, EX, Retrofit Kits, Vandal Shields & Wire Guards, Remote Lamp Heads	
 Emergency Lighting	28
R-1, R-2, R-16, R-5HO, R-16-HO, R-7, RMR-16, RMR-16-WP, PAR-1, EMRL-1, DXR, TFX-2, NYDXR, NYDXR-LED, CA26510	
 Emergency Ballasts	43
BAL500, BAL650C-2, BAL650C-4, BAL700, BAL1400, BAL300, BAL500ACTD, BAL650C-4ACTD, BAL700ACTD, BAL1400ACTD, BAL3000ACTD, BALTS-500ACTD, BALTS-800ACTD, BALTS-1300ACTD, BAL500LPACTD, BAL700LPACTD, BAL1400LPACTD	

PRODUCT INFORMATION



Self Diagnostic/Self-Test

Best Lighting offers the Self Diagnostic/Self-Test feature on many of its exit and emergency lighting fixtures. This feature is becoming increasingly more important in the world of exit and emergency lighting as architects and building owners become more aware of its tremendous value-added functions and safety-assuring technology.




The heart of the SDT feature is the on-board IC chip that continuously monitors the entire fixture and reports any malfunction via a user interface. The user interface identifies the exact nature of the problem allowing the occupant or service personnel to take the proper steps to correct it.

The SELF TESTING feature included in the circuitry tests the fixture once every 30 days for not less than 30 seconds and once every 12 months for a full 90 minute discharge test, simulating a maximum use power failure. After each test, it recharges the battery automatically and returns to normal operating mode. Any problems found during or after the test are reported through the user interface.

This SELF TESTING actually helps prolong the life of the batteries by keeping them exercised and fresh. Without the SDT feature, the battery can remain idle for long periods of time, only being used in an actual power failure and thereby depleting their ability to hold and maintain a proper charge.

Self Diagnostic features...

- Exercises batteries automatically and prolongs battery life
- User interface signals exact nature of any malfunction
- Runs an auto discharge test for not less than 30 seconds once every 30 days
- Runs a 90-minute test once a year


Self Diagnostics are available on various Best Lighting fixtures by specifying suffix "SDT". Look for the  symbol throughout the catalog or consult the factory.



Dual Circuit Exit Signs – Los Angeles

- Sign housings featuring steel, plastic or die-cast aluminum are designed to be attractive, durable and long-lasting
- State-of-the-art Light Emitting Diode (LED) technology is more than bright enough to meet NFPA and standard UL924 light level requirements
- Red or green lettering is available
- Dual voltage for 120 and 277 volt circuits



Dual Circuit capability is available on various Best Lighting fixtures by specifying suffix "DC". Look for the  symbol throughout the catalog or consult the factory.



5-Year Warranty

Best Lighting proudly offers a 5-Year Warranty on all of the quality products we sell.

Buy from BEST LIGHTING PRODUCTS with confidence!



EZXTE

LED Exit Sign

Features

- Compact, low-profile design in neutral finish
- Energy-efficient LED technology
- EZ snap-out chevron directional indicators
- UL listed for damp locations & meets UL924, NFPA 101 Life Safety Code, NEC, OSHA, Local and State Codes

Electrical

- Dual 120V/277V voltage
- Charge rate/power "ON" LED indicator light and push-to-test switch for mandated code compliance testing
- LVD (low voltage disconnect) prevents battery from deep discharge
- Long-life, maintenance-free, rechargeable NiCd battery (EM model)
- Internal solid-state transfer switch automatically connects the internal battery to LED board for minimum 90-minute emergency illumination
- Fully automatic solid-state, two-rate charger initiates battery charging to recharge a discharged battery in 24 hours.

Mounting

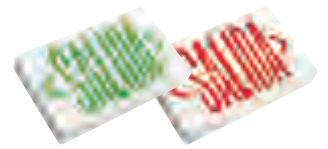
- Universal surface mount, wall or ceiling, with EZ-snap thermoplastic mounting canopy, which snaps into place making installation quick & easy.

Housing

- Injection-molded, engineering-grade, V-0 flame retardant, high-impact, thermoplastic in white or black finish

Options

- SDT: Self-Diagnostic (option SDT) continually diagnoses unit's performance and tests system (auto battery discharge once every 30 days and once every 12 months) to ensure reliable operation and to meet electrical and life safety codes
- DC: Dual Circuit option on the AC-only unit enables it to be connected to two different (primary and secondary, one acting as a back-up for the other) supplies at the same time (contact customer service).
- For Remote Capable model (RC), please see page 6.



SALIDA faceplates also available.

Illumination

- Ultra-bright, energy efficient, long-life Red or Green LED

Warranty

- Five Year Warranty on all electronics and housing. Batteries are pro-rated warranted for 5 years.

Dimensions



Special Wording Sign samples

ORDERING INFORMATION

Model	Face #	Letter Color	Housing Color	Battery	Options
EZXTE	1 - Single Face	R - Red	W - White	Blank - AC Only	SDT - Self Diagnostics
	U2 - Universal Single/Double	G - Green	B - Black	EM - NiCad Battery	2C - 2 Circuit Operation (ONLY 1 HOT CIRCUIT AT A TIME) SW - Special Wording
Model	Face #	Letter Color	Housing Color	Battery	Options
-	-	-	-	-	-



LED Exit/Incandescent Emergency Combo

Features

- Energy-efficient LED technology in EXIT sign
- EZ snap-out chevron directional indicators
- Combines an EXIT sign & emergency light into one low-profile unit
- UL listed for damp locations & meets UL924, NFPA 101 Life Safety Code, NEC, OSHA, Local and State Codes

Electrical

- Dual 120V/277V voltage
- Charge rate/power "ON" LED indicator light and push-to-test switch for mandated code compliance testing
- LVD (low voltage disconnect) prevents battery from deep discharge
- 6V, 4.5Ah, sealed lead acid, maintenance-free, rechargeable battery
- Internal solid-state transfer switch automatically connects the internal battery to LED Board/lamp heads for minimum 90-minute emergency illumination
- Fully automatic solid-state, two-rate charger initiates battery charging to recharge a discharged battery in 24 hours.

Mounting

- Universal surface mount, wall or ceiling, with EZ-snap thermoplastic mounting canopy, which snaps into place making installation quick & easy.

Housing

- Injection-molded, engineering-grade, V-0 flame retardant, high-impact, thermoplastic in white or black finish

Options

- SDT: Self-Diagnostic (option SDT) continually diagnoses unit's performance and tests system (auto battery discharge once every 30 days and once every 12 months) to ensure reliable operation and to meet electrical and life safety codes
- Using the optional internal heater (-HTR) enables the unit to be used in cold environments (contact customer service for more information).
- For Remote Capable model (RC), please see page 7.



SALIDA faceplates also available.

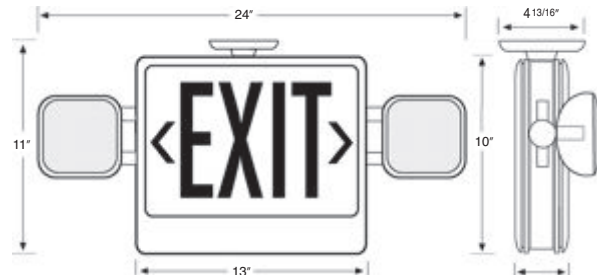
Illumination

- Standard with two 5.4 watt tungsten fully adjustable, glare-free incandescent emergency lighting heads
- High-performance smooth thermoplastic reflector and plastic lens for optimal light distribution
- Ultra bright, energy efficient, long-lasting Red or Green LED (exit sign illumination)

Warranty

- Five Year Warranty on all electronics and housing. Batteries are pro-rated warranted for 5 years.

Dimensions



ORDERING INFORMATION

Model	Face #	Letter Color	Housing Color	Battery	Options
CXTE	U2 - Universal Single/Double	R - Red G - Green	W - White B - Black	Blank - EM (Standard)	SDT - Self Diagnostics RC - Remote Capable (22W Total) KR9 - 9 W Krypton Lamps (RC Only) KR5 - 5.4 W Krypton Lamps HTR - Internal Heater
Model	Face #	Letter Color	Housing Color	Battery	Options
-	-	-	-	-	-



EZXTTE-RC

Remote Capable LED Exit

Features

- Energy-efficient LED technology
- Provides 11W of remote wattage
- EZ snap-out chevron directional indicators
- UL listed for damp locations & meets UL924, NFPA 101 Life Safety Code, NEC, OSHA, Local and State Codes

Electrical

- Dual 120V/277V voltage
- Charge rate/power "ON" LED indicator light and push-to-test switch for mandated code compliance testing
- LVD (low voltage disconnect) prevents battery from deep discharge
- 6V, 4.5Ah, sealed lead acid, maintenance-free, rechargeable battery
- Internal solid-state transfer switch automatically connects the internal battery to LED Board/remote lamp heads for minimum 90-minute emergency illumination
- Fully automatic solid-state, two-rate charger initiates battery charging to recharge a discharged battery in 24 hours.

Mounting

- Universal surface mount, wall or ceiling, with EZ-snap thermoplastic mounting canopy, which snaps into place making installation quick & easy.

Housing

- Injection-molded, engineering-grade, V-0 flame retardant, high-impact, thermoplastic in white or black finish

Options

- SDT: Self-Diagnostic (option SDT) continually diagnoses unit's performance and tests system (auto battery discharge once every 30 days and once every 12 months) to ensure reliable operation and to meet electrical and life safety codes
- Using the optional internal heater (-HTR) enables the unit to be used in cold environments (contact customer service for more information).



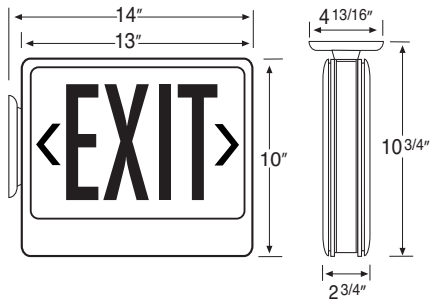
Illumination

- Ultra-bright, energy efficient, long-lasting Red or Green LED
- Offers 11W of remote capability

Warranty

- Five Year Warranty on all electronics and housing. Batteries are pro-rated warranted for 5 years.

Dimensions



ORDERING INFORMATION



Model	Face #	Letter Color	Housing Color	Battery	Options
EZXTTE	U2 - Universal	R - Red	W - White	RC - Remote Capable	SDT - Self Diagnostic Testing
	Single/Double	G - Green	B - Black		HTR - Internal Heater

Model	Face #	Letter Color	Housing Color	Battery
-	-	-	-	-



Specifications and dimensions subject to change without notice.
Customer Service: 740-964-1198

CXTE-RC

Remote Capable LED Exit/Incandescent Emergency Combo

Features

- EZ snap-out chevron directional indicators
- Energy-efficient LED technology in EXIT sign
- Provides 11W of remote wattage
- Combines an EXIT sign & emergency light into one low-profile, remote-capable unit
- UL listed for damp locations & meets UL924, NFPA 101 Life Safety Code, NEC, OSHA, Local and State Codes

Electrical

- Dual 120V/277V voltage
- Charge rate/power "ON" LED indicator light and push-to-test switch for mandated code compliance testing
- LVD (low voltage disconnect) prevents battery from deep discharge
- 6V, 4.5Ah, sealed lead acid, maintenance-free, rechargeable battery
- Internal solid-state transfer switch automatically connects the internal battery to LED Board/lamp heads for minimum 90-minute emergency illumination
- Fully automatic solid-state, two-rate charger initiates battery charging to recharge a discharged battery in 24 hours.

Mounting

- Universal surface mount, wall or ceiling, with EZ-snap thermoplastic mounting canopy, which snaps into place making installation quick & easy.

Housing

- Injection-molded, engineering-grade, V-0 flame retardant, high-impact, thermoplastic in white or black finish

Options

- SDT: Self-Diagnostic (option SDT) continually diagnoses unit's performance and tests system (auto battery discharge once every 30 days and once every 12 months) to ensure reliable operation and to meet electrical and life safety codes



SALIDA faceplates also available.

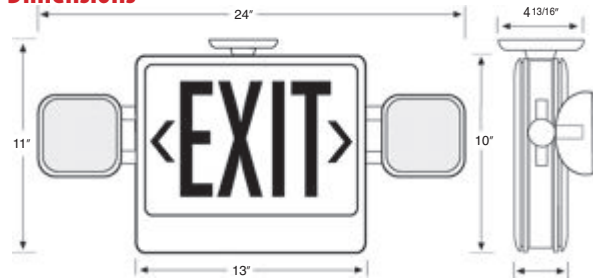
Illumination

- Standard with two 5.4W tungsten, fully adjustable, glare-free emergency lighting heads
- High-performance smooth thermoplastic reflector and plastic lens for optimal light distribution and resistance to discoloration.
- Ultra-bright, energy efficient, long-lasting Red or Green LED exit sign

Warranty

- Five Year Warranty on all electronics and housing. Batteries are pro-rated warranted for 5 years.

Dimensions



ORDERING INFORMATION



Model	Face #	Letter Color	Housing Color	Battery	Options
CXTE	U2 - Universal	R - Red	W - White	RC - Remote Capable	SDT - Self Diagnostic Testing
	Single/Double	G - Green	B - Black		KR5 - 5.4W Krypton Lamps
					KR9 - 9W Krypton Lamps

Model	Face #	Letter Color	Housing Color	Battery
-	-	-	-	-

EZRXTTE

Slimline Thermoplastic LED Exit Sign



Features

- Ultra-compact, low-profile design in neutral finish
- Energy-efficient LED technology
- EZ snap-out chevron directional indicators
- UL listed for damp locations & meets UL924, NFPA 101 Life Safety Code, NEC, OSHA, Local and State Codes

Electrical

- Dual 120V/277V voltage
- Charge rate/power "ON" LED indicator light and push-to-test switch for mandated code compliance testing
- LVD (low voltage disconnect) prevents battery from deep discharge
- Long-life, maintenance-free, rechargeable NiCd battery (EM model)
- Internal solid-state transfer switch automatically connects the internal battery to LED Board for minimum 90-minute emergency illumination
- Fully automatic solid-state, two-rate charger initiates battery charging to recharge a discharged battery in 24 hours.

Mounting

- Universal surface mount, wall or ceiling, with EZ-snap thermoplastic mounting canopy, which snaps into place making installation quick & easy.

Housing

- Injection-molded, engineering-grade, V-0 flame retardant, high-impact, thermoplastic in white or black finish
- Curved face, rounded corner design

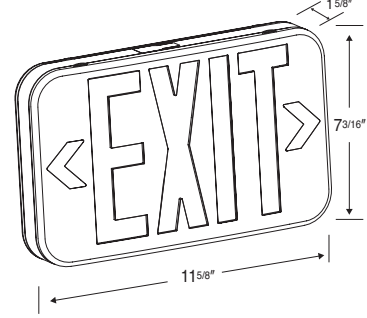
Illumination

- Ultra-bright, energy efficient, long-lasting Red or Green LED

Warranty

- Five Year Warranty on all electronics and housing. Batteries are pro-rated warranted for 5 years.

Dimensions



ORDERING INFORMATION

Model	Face #	Letter Color	Housing Color	Battery
EZRXTTE	1 - Single Face	R - Red	W - White	Blank - AC Only
	U2 - Universal	G - Green	B - Black	EM - NiCad Battery
	Single/Double			

Model	Face #	Letter Color	Housing Color	Battery
-	-	-	-	-



Specifications and dimensions subject to change without notice.
Customer Service: 740-964-1198

LED Exit/Emergency Combo

Features

- Unique, new design combines an energy-efficient LED EXIT sign with an LED emergency light into one low-profile unit
- EZ snap-out chevron directional indicators
- UL listed for damp locations & meets UL924, NFPA 101 Life Safety Code, NEC, OSHA, Local and State Codes

Electrical

- Dual 120V/277V voltage
- Charge rate/power "ON" LED indicator light and push-to-test switch for mandated code compliance testing
- LVD (low voltage disconnect) prevents battery from deep discharge
- Long-life, maintenance-free, rechargeable NiCd battery
- Internal solid-state transfer switch automatically connects the internal battery to LED Board/light pipe for minimum 90-minute emergency illumination
- Fully automatic solid-state, two-rate charger initiates battery charging to recharge a discharged battery in 24 hours.

Mounting

- Universal surface mount, wall or ceiling, with EZ-snap thermoplastic mounting canopy, which snaps into place making installation quick & easy.

Housing

- Injection-molded, engineering-grade, V-0 flame retardant, high-impact, thermoplastic in white or black finish



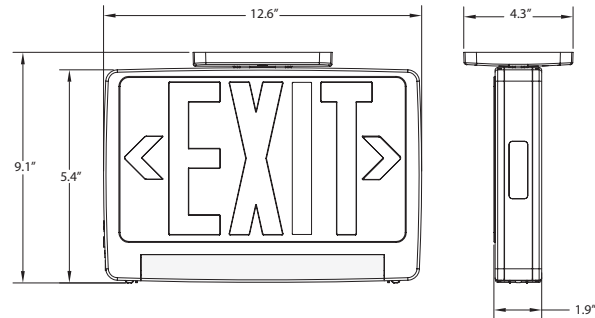
Illumination

- Ultra-bright, energy efficient white LED emergency lighting
- High-performance smooth thermoplastic reflector and polycarbonate "light pipe" lens for optimal light distribution and resistance to discoloration.
- Adjustable light pipe allows for optimal use of light output
- Long-lasting, energy efficient Red or Green LED exit sign

Warranty

- Five Year Warranty on all electronics and housing. Batteries are pro-rated warranted for 5 years.

Dimensions



ORDERING INFORMATION

Model	Face #	Letter Color	Housing Color	Battery
CXL	1 - Single Face	R - Red	W - White	Blank - EM (Standard)
	U2 - Universal Single/Double	G - Green	B - Black	

Model	Face #	Letter Color	Housing Color	Battery
-	-	-	-	-

ALL NEW LED "Light Pipe" Exit Sign / Emergency Light Combo

Wet Location LED Exit/Incandescent Emergency Combo

Features

- UL listed for wet locations & meets UL924, NFPA 101 Life Safety Code, NEC, OSHA, Local and State Codes
- Fully gasketed, corrosion-resistant housing
- Energy efficient LED technology in EXIT sign
- EZ snap-out chevron directional indicators



Electrical

- Dual 120V/277V voltage
- Charge rate/power "ON" LED indicator light and push-to-test switch for mandated code compliance testing
- LVD (low voltage disconnect) prevents battery from deep discharge
- Long-life, maintenance-free, rechargeable NiCd battery (EM models)
- Internal solid-state transfer switch automatically connects the internal battery to LED Board/lamp heads for minimum 90-minute emergency illumination
- Fully automatic solid-state, two-rate charger initiates battery charging to recharge a discharged battery in 24 hours.

Illumination

- Standard with two 5.4 watt tungsten, adjustable, glare-free lighting heads
- High-performance reflector and tempered glass lens for optimal light distribution.
- Ultra bright, energy efficient, long-lasting Red or Green LED (exit sign illumination)
- 6" EXIT letters

Mounting

- Knockouts for back mounting

Housing

- Corrosion-resistant, polycarbonate UV-stabilized housing
- Removable KO directional indicators
- Single face only
- Polycarbonate face plate

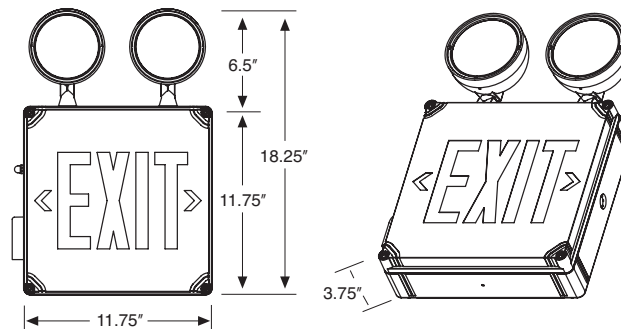
Options

- Using the optional internal heater (-HTR) enables the unit to be used in cold environments (contact customer service for more information).

Warranty

- Five Year Warranty on all electronics and housing. Batteries are pro-rated warranted for 5 years.

Dimensions



ORDERING INFORMATION

Model	Letter Color	Battery	Options
WLXTE	R - Red	Blank - AC Only	HTR - Internal Heater
	G - Green	EM - NiCad Battery Backup	
CWLXTE	R - Red	EM - NiCad Battery Backup	HTR - Internal Heater
	G - Green		

Model	Letter Color	Battery	Options
-------	--------------	---------	---------



LED Edgelit Exit Sign—Surface Mount

Features

- Energy efficient LED technology
- Decals & template provided for chevron directional indicators
- UL listed for damp locations & meets UL924, NFPA 101 Life Safety Code, NEC, OSHA, Local and State Codes

Electrical

- Dual 120V/277V voltage
- Charge rate/power "ON" LED indicator light and push-to-test switch for mandated code compliance testing
- LVD (low voltage disconnect) prevents battery from deep discharge
- Maintenance-free, rechargeable Ni-Cad battery (EM model)
- Internal solid-state transfer switch automatically connects the internal battery to LED Board for minimum 90-minute emergency illumination
- Fully automatic solid-state, two-rate charger initiates battery charging to recharge a discharged battery in 24 hours.

Mounting

- Die-cast aluminum mounting canopy included—provides top, end or back mount convenience

Housing

- Premium-grade, extruded aluminum housing (also available in black or white powder coated)

Options

- SDT: Self-Diagnostic (option SDT) continually diagnoses unit's performance and tests system (auto battery discharge once every 30 days and once every 12 months) to ensure reliable operation and to meet electrical and life safety codes
- DC: Dual Circuit option on the AC-only unit enables it to be connected to two different (primary and secondary, one acting as a back-up for the other) supplies at the same time (consult factory for more information on this)
- Edgelit EXIT panels available to order separately (contact customer service)
- Double face utilizes a silver or white mylar insert



Wall mount



Side mount



Ceiling mount



Special Wording

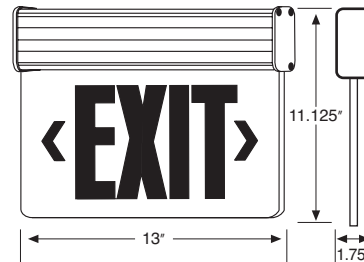
Illumination

- Ultra-bright, energy efficient, long-lasting Red or Green LED
- UV-stabilized ultra-clear acrylic edgelit panel provided consistent, uniform illumination

Warranty

- Five Year Warranty on all electronics and housing. Batteries are pro-rated warranted for 5 years.

Dimensions



ORDERING INFORMATION

Model	Face #	Letter Color	Panel Color	Housing Color	Battery	Options
ELXTE	1 - Single Face	R - Red	C - Clear	W - White	Blank - AC Only	SDT - Self Diagnostics
	2 - Double Face	G - Green	M - Mirror (Silver Mylar)	B - Black	EM - NiCad Battery	2C - Dual Circuit
			W - White (White Mylar)	A - Anodized Aluminum	SW - Special Wording	

Model	Face #	Letter Color	Panel Color	Housing Color	Battery	Options
-	-	-	-	-	-	-



RELZXTTE

LED Edgelit Exit Sign—Recessed Mount



Features

- Redesigned housing is easily detachable providing accessibility from below
- Energy efficient LED technology
- Decals & template provided for chevron directional indicators
- UL listed for damp locations. Meets UL924, NFPA 101 Life Safety Code, NEC, OSHA, Local and State Codes

Electrical

- Dual 120V/277V voltage
- Charge rate/power "ON" LED indicator light and push-to-test switch for mandated code compliance testing
- LVD (low voltage disconnect) prevents battery from deep discharge
- Maintenance-free, rechargeable Ni-Cad battery (EM model)
- Internal solid-state transfer switch automatically connects the internal battery to LED Board for minimum 90-minute emergency illumination
- Fully automatic solid-state, two-rate charger initiates battery charging to recharge a discharged battery in 24 hours.

Mounting

- Drywall or drop-thru ceiling mount with hanger bars

Housing

- Premium-grade, extruded aluminum housing (also available in black or white powder coated)
- Housing is easily detachable from below, providing accessibility for service or maintenance.

Illumination

- Ultra-bright, energy efficient, long-lasting Red or Green LED
- UV-stabilized ultra-clear acrylic edgelit panel



RELZXTTERCAEM

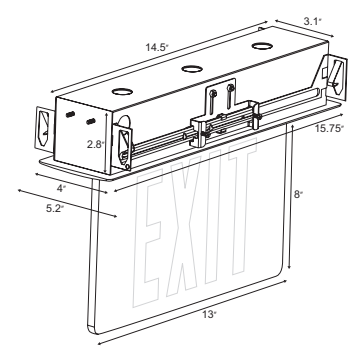
Options

- SDT: Self-Diagnostic (option SDT) continually diagnoses unit's performance and tests system (auto battery discharge once every 30 days and once every 12 months) to ensure reliable operation and to meet electrical and life safety codes
- 2C: Dual Circuit option on the AC-only unit enables it to be connected to two different (primary and secondary, one acting as a back-up for the other) supplies at the same time (contact customer service for more information)
- Double face utilizes a silver or white mylar insert
- Edgelit EXIT panels available to order separately (contact customer service)

Warranty

- Five Year Warranty on all electronics and housing. Batteries are pro-rated warranted for 5 years.

Dimensions



ORDERING INFORMATION

Model	Face #	Letter Color	Panel Color	Housing Color	Battery	Options
RELZXTTE	1 - Single Face	R - Red	C - Clear	W - White	Blank - AC Only	SDT - Self Diagnostics
	2 - Double Face	G - Green	M - Mirror (Silver Mylar)	B - Black	EM - NiCad Battery	2C - Dual Circuit
			W - White (White Mylar)	A - Anodized Aluminum		SW - Special Wording

Model	Face #	Letter Color	Panel Color	Housing Color	Battery	Options
-	-	-	-	-	-	-



Specifications and dimensions subject to change without notice.
Customer Service: 740-964-1198

Die-Cast Aluminum LED Exit Sign

KXTE

Features

- Energy efficient LED technology
- Spec-grade curved faceplate
- UL listed for damp locations & meets UL924, NFPA 101 Life Safety Code, NEC, OSHA, Local and State Codes

Electrical

- Dual 120V/277V voltage
- Charge rate/power "ON" LED indicator light and push-to-test switch for mandated code compliance testing
- LVD (low voltage disconnect) prevents battery from deep discharge
- Maintenance-free, rechargeable Ni-Cad battery (EM model)
- Internal solid-state transfer switch automatically connects the internal battery to LEDs for minimum 90-minute emergency illumination
- Fully automatic solid-state, two-rate charger initiates battery charging to recharge a discharged battery in 24 hours.

Mounting

- Die cast mounting canopy included (provides top, end or back mount convenience)
- Universal wall mounting K/O pattern

Housing

- Premium-grade, extruded aluminum housing (also available in black or white powder coated)
- Easily removable chevron directional indicators
- Unique design allows double face conversion in the field
- Quick-snap face plate closure



Illumination

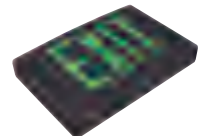
- Ultra-bright, energy efficient, long-lasting Red or Green LED

Options

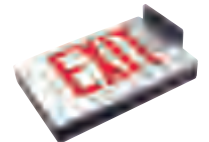
- SDT: Self-Diagnostic (option SDT) continually diagnoses unit's performance and tests system (auto battery discharge once every 30 days and once every 12 months) to ensure reliable operation and to meet electrical and life safety codes
- 2C: Dual Circuit option on the AC-only unit enables it to be connected to two different (primary and secondary, one acting as a back-up for the other) supplies at the same time (contact customer service for more information)
- TP: Screws in corners seal the unit, preventing access to unauthorized personnel
- Die-Cast EXIT panels available to order separately (contact customer service)



KXTEU1RWW



KXTEU1GBB

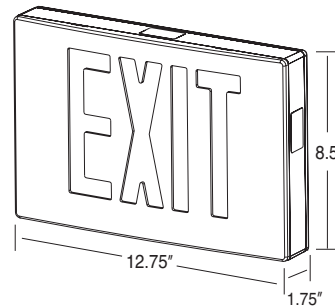


KXTEU1RBA

Warranty

- Five Year Warranty on all electronics and housing. Batteries are pro-rated warranted for 5 years.

Dimensions



Specify option "TP" for Tamper-Proof face plates



ORDERING INFORMATION

Model	Face #	Letter Color	Housing Color	Face Color	Battery	Options
KXTE	1 - Single Face	R - Red	A - Brushed Aluminum	A - Brushed Aluminum	Blank - AC Only	SDT - Self Diagnostics
	2 - Double Face	G - Green	B - Black Powder Coated	B - Black Powder Coated	EM - NiCad Battery	2C - 2 Circuit Operation
	3 - Universal Single/Double		W - White Powder Coated	W - White Powder Coated		FP - Face Plate (order separately) TP - Tamper Proof Screws

Model	Face #	Letter Color	Housing Color	Face Color	Battery	Options
-	-	-	-	-	-	-

CKXTE



Die Cast Aluminum LED Exit/Emergency Combo

Features

- Very first die cast combo on the market; unique new design provides spec-grade die cast EXIT sign with LED emergency lights in low-profile housing
- Energy efficient LED technology
- UL listed for damp locations & meets UL924, NFPA 101 Life Safety Code, NEC, OSHA, Local and State Codes

Electrical

- Dual 120V/277V voltage
- Charge rate/power "ON" LED indicator light and push-to-test switch for mandated code compliance testing
- LVD (low voltage disconnect) prevents battery from deep discharge
- Maintenance-free, rechargeable Ni-Cad battery (EM model)
- Internal solid-state transfer switch automatically connects the internal battery to LEDs and LED lamp heads for minimum 90-minute emergency illumination
- Fully automatic solid-state, two-rate charger initiates battery charging to recharge a discharged battery in 24 hours.

Mounting

- Die cast aluminum housing and faceplate
- Die cast mounting canopy included (provides top, end or back mount convenience)
- Universal wall mounting K/O pattern

Housing

- Premium-grade, extruded aluminum housing (also available in black or white powder coated)
- Spec-grade curved faceplate
- Easily removable chevron directional indicators
- Unique design allows double face conversion in the field
- Quick-snap face plate closure



Illumination

- Ultra-bright, energy efficient, long-lasting Red or Green LED
- Ultra bright white LED lamps in emergency lighting heads

Options

- Die-Cast EXIT panels available to order separately (contact customer service)

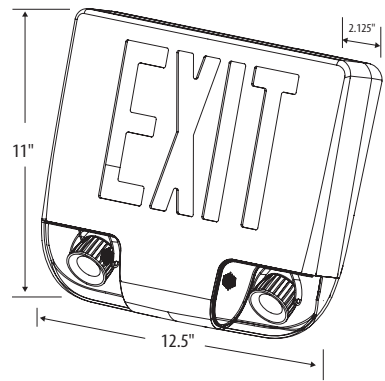


Ultra bright LED emergency lighting heads

Warranty

- Five Year Warranty on all electronics and housing. Batteries are pro-rated warranted for 5 years.

Dimensions



ORDERING INFORMATION

Model	Face #	Letter Color	Housing Color	Face Color	Battery	Options
CKXTE	1 - Single Face	R - Red	A - Brushed Aluminum	A - Brushed Aluminum	Blank - AC Only	FP - Face Plate (order separately)
	2 - Double Face	G - Green	B - Black Powder Coated	B - Black Powder Coated	EM - NiCad Battery	
	3 - Universal Single/Double Face		W - White Powder Coated	W - White Powder Coated		

Model	Face #	Letter Color	Housing Color	Face Color	Battery	Options
-	-	-	-	-	-	-



Specifications and dimensions subject to change without notice.
Customer Service: 740-964-1198

Low-Profile Die-Cast Aluminum LED Exit Sign



Low-Profile Die Cast Aluminum LED Exit Sign

Features

- Energy efficient LED technology
- Spec-grade thin design
- UL listed for damp locations & meets UL924, NFPA 101 Life Safety Code, NEC, OSHA, Local and State Codes

Electrical

- Dual 120V/277V voltage
- Charge rate/power "ON" LED indicator light and push-to-test switch for mandated code compliance testing
- LVD (low voltage disconnect) prevents battery from deep discharge
- Maintenance-free, rechargeable Ni-Cad battery (EM model)
- Internal solid-state transfer switch automatically connects the internal battery to LEDs for minimum 90-minute emergency illumination
- Fully automatic solid-state, two-rate charger initiates battery charging to recharge a discharged battery in 24 hours.

Mounting

- Die cast mounting canopy included (provides top, end or back mount convenience)
- Universal wall mounting K/O pattern

Housing

- Premium-grade, extruded aluminum housing (also available in black or white powder coated)
- Easily removable chevron directional indicators
- Unique design allows double face conversion in the field
- Quick-snap face plate closure

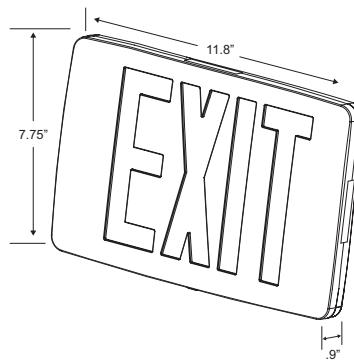
Illumination

- Ultra-bright, energy efficient, long-lasting Red or Green LED

Warranty

- Five Year Warranty on all electronics and housing. Batteries are pro-rated warranted for 5 years.

Dimensions



ORDERING INFORMATION

Model	Face #	Letter Color	Housing Color	Face Color	Battery
KXL PTE	1 - Single Face	R - Red	A - Brushed Aluminum	A - Brushed Aluminum	Blank - AC Only
	2 - Double Face	G - Green	B - Black Powder Coated	B - Black Powder Coated	EM - NiCad Battery
			W - White Powder Coated	W - White Powder Coated	

Model	Face #	Letter Color	Housing Color	Face Color	Battery
-	-	-	-	-	-

Steel LED Exit Sign

Features

- Energy efficient LED technology
- Heavy-duty steel construction
- Steel knockout chevron directional indicators
- UL listed for damp locations & meets UL924, NFPA 101 Life Safety Code, NEC, OSHA, Local and State Codes

Electrical

- Dual 120V/277V voltage
- Charge rate/power "ON" LED indicator light and push-to-test switch for mandated code compliance testing
- LVD (low voltage disconnect) prevents battery from deep discharge
- Maintenance-free, rechargeable Ni-Cad battery (EM model)
- Internal solid-state transfer switch automatically connects the internal battery to LEDs for minimum 90-minute emergency illumination
- Fully automatic solid-state, two-rate charger initiates battery charging to recharge a discharged battery in 24 hours.

Mounting

- Universal surface mount, wall or ceiling, with EZ-snap thermoplastic mounting canopy, which snaps into place making installation quick & easy.

Housing

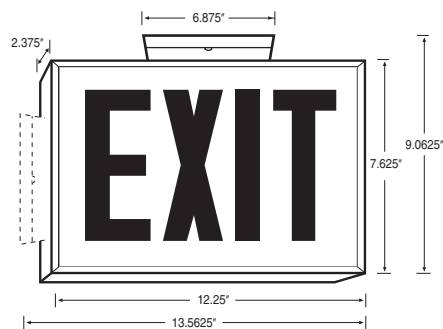
- Durable, powder-coated 20-gauge steel construction
- Double face standard
- Universal knockout chevrons

**Illumination**

- Ultra-bright, energy efficient, long-lasting Red or Green LED

Warranty

- Five Year Warranty on all electronics and housing. Batteries are pro-rated warranted for 5 years.

Dimensions**ORDERING INFORMATION**

Model	Face #	Letter Color	Housing Color	Battery
SXTE	U2 - Universal	R - Red	W - White	Blank - AC Only
	Single/Double	G - Green	B - Black	EM - NiCad Battery

Model	Face #	Letter Color	Housing Color	Battery

SLXTE

Tritium Self-Luminous Exit Sign

Features

- Your first cost is your last cost for 10+ years
- No maintenance, no wires, easy installation
- UL listed for damp location

Electrical

- No electricity required!

Mounting

- Universal top or side mounting bracket provided
- Suitable for floor proximity mounting

Illumination

- Letter-shaped Tritium light tubes

Options

- Vandal proof institutional frames available

Warranty

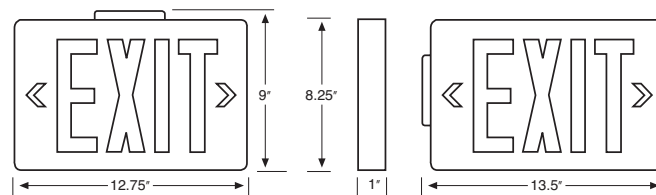
- Five Year Warranty on all electronics and housing.



Vandal-proof frames available

Letter-shaped light tubes give off the best light in the industry!

Dimensions



ORDERING INFORMATION

Model	Face #	Face Color	Housing Color	Life (in Years)	Options
SLXTE	1 - Single Face	R - Red	A - Brushed Aluminum	10 - Ten Years	IFW - Institutional Frame (White)
	2 - Double Face	G - Green	B - Black	15 - Fifteen Years	IFB - Institutional Frame (Black)
			W - White	20 - Twenty Years	IFA - Institutional Frame (Brushed Aluminum)
			C - Chrome		

Model	Face #	Face Color	Housing Color	Life (in Years)	Options

NYXTE

New York Approved LED Exit Sign

Features

- Energy efficient LED technology
- Heavy duty steel construction
- NY approved housing with steel knockout chevron directional indicators
- UL listed for damp locations & meets UL924, NFPA 101 Life Safety Code, NEC, OSHA, Local and State Codes

Electrical

- Dual 120V/277V voltage
- Charge rate/power "ON" LED indicator light and push-to-test switch for mandated code compliance testing
- LVD (low voltage disconnect) prevents battery from deep discharge
- Long-life, maintenance-free, rechargeable NiCad battery (EM model)
- Internal solid-state transfer switch automatically connects the internal battery to LED Board for minimum 90-minute emergency illumination
- Fully automatic solid-state, two-rate charger initiates battery charging to recharge a discharged battery in 24 hours.

Mounting

- Universal mounting canopy & hardware included for top, side, or end-mount installation

Housing

- Durable, white powder coated, 20-gauge steel construction
- Universal K/O chevrons



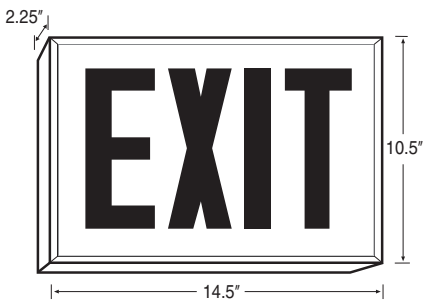
Illumination

- Ultra-bright, energy efficient Red LED
- NY approved 8" EXIT letters

Warranty

- Five Year Warranty on all electronics and housing. Batteries are pro-rated warranted for 5 years.

Dimensions



ORDERING INFORMATION

Model	Face #	Letter Color	Housing Color	Battery
NYXTE	1 - Single Face	R - Red	W - White	Blank - AC Only
	2 - Double Face		B - Black	EM - NiCad Battery
	3 - Universal Single/Double			
Model	Face #	Letter Color	Housing Color	Battery



Specifications and dimensions subject to change without notice.
Customer Service: 740-964-1198

New York Approved LED Exit/Incandescent Emergency Combo



Features

- Energy efficient LED technology in EXIT sign
- Heavy duty steel construction
- NY approved housing with steel knockout chevron directional indicators
- UL listed for damp locations & meets UL924, NFPA 101 Life Safety Code, NEC, OSHA, Local and State Codes

Electrical

- Dual 120V/277V voltage
- Charge rate/power "ON" LED indicator light and push-to-test switch for mandated code compliance testing
- LVD (low voltage disconnect) prevents battery from deep discharge
- 6V, 10Ah, sealed lead acid, maintenance-free, rechargeable battery
- Internal solid-state transfer switch automatically connects the internal battery to LED Board/lamp heads for minimum 90-minute emergency illumination
- Fully automatic solid-state, two-rate charger initiates battery charging to recharge a discharged battery in 24 hours.

Mounting

- Wall mount hardware included

Housing

- Durable, white powder coated, 20-gauge steel construction
- Universal K/O chevrons

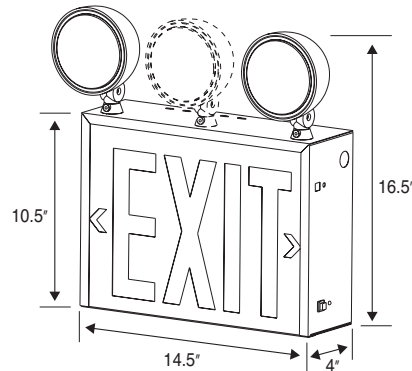
Illumination

- Standard with two 12 Watt tungsten fully adjustable, glare-free incandescent lighting heads
- High-performance smooth thermoplastic reflector and tempered glass lens for optimal light distribution.
- Ultra bright, energy efficient, long-lasting Red LED (exit sign illumination)
- NY approved 8" EXIT letters
- Optional 3rd emergency lighting head included

Warranty

- Five Year Warranty on all electronics and housing. Batteries are pro-rated warranted for 5 years.

Dimensions



ORDERING INFORMATION

Model	Face #	Letter Color	Housing Color	Battery	Options
CNYXTE	1 - Single Face	R - Red	W - White B - Black	Blank - EM (Battery Backup)	KR9 - 9 W Krypton Lamps

Model	Face #	Letter Color	Housing Color	Battery	Options
-	-	-	-	-	-

CNYLEDXTE

New York Approved LED Exit/LED Emergency Combo

Features

- Energy efficient LED technology
- Heavy duty steel construction
- NY approved housing with steel knockout chevron directional indicators
- UL listed for damp locations & meets UL924, NFPA 101 Life Safety Code, NEC, OSHA, Local and State Codes

Electrical

- Dual 120V/277V voltage
- Charge rate/power "ON" LED indicator light and push-to-test switch for mandated code compliance testing
- LVD (low voltage disconnect) prevents battery from deep discharge
- Long-life, maintenance-free, rechargeable NiCd battery
- Internal solid-state transfer switch automatically connects the internal battery to LED Board/lamp heads for minimum 90-minute emergency illumination
- Fully automatic solid-state, two-rate charger initiates battery charging to recharge a discharged battery in 24 hours.

Mounting

- Mounting hardware included for wall or side mount installation

Housing

- Durable, white powder coated, 20-gauge steel construction
- Universal K/O chevrons

Options

- High-Output model (HO) offers remote capability for one or two remote LED lamp heads. (For LED remote lamp heads, please contact your sales representative)



Illumination

- Standard with three ultra-bright LED emergency lighting lamp heads
- High-performance smooth aluminum reflector and tempered glass lens for optimal light distribution.
- Ultra-bright, energy efficient Red LED (exit sign illumination)
- NY approved 8" EXIT letters

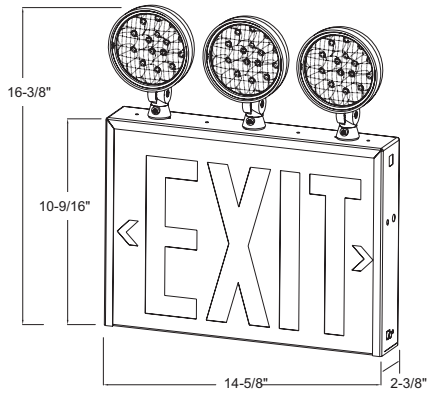


Fifteen energy-efficient, ultra bright LEDs per emergency lighting head!

Warranty

- Five Year Warranty on all electronics and housing. Batteries are pro-rated warranted for 5 years.

Dimensions



ORDERING INFORMATION

Model	Face #	Letter Color	Housing Color	Battery	Lamps	Options
CNYLEDXTE	1 - Single Face	R - Red	W - White	EM - Battery Backup (NiCad)	3 - Three LED lamp heads	HO - Remote Capable (LED remote lamp heads also available)
	2 - Double Face	B - Black				
	3 - Universal Single/Double Face					

Model	Face #	Letter Color	Housing Color	Battery	Lamps	Options



Specifications and dimensions subject to change without notice.
Customer Service: 740-964-1198

New York Approved LED Edgelit Exit Sign—Surface Mount

Features

- Energy efficient LED technology
- Decals & template provided for chevron directional indicators
- NY approved 8" EXIT letters
- UL listed for damp locations & meets UL924, NFPA 101 Life Safety Code, NEC, OSHA, Local and State Codes

Electrical

- Dual 120V/277V voltage
- Charge rate/power "ON" LED indicator light and push-to-test switch for mandated code compliance testing
- LVD (low voltage disconnect) prevents battery from deep discharge
- Maintenance-free, rechargeable Ni-Cad battery (EM model)
- Internal solid-state transfer switch automatically connects the internal battery to LED Board for minimum 90-minute emergency illumination
- Fully automatic solid-state, two-rate charger initiates battery charging to recharge a discharged battery in 24 hours.

Mounting

- Die-cast aluminum mounting canopy included—provides top, end or back mount convenience

Housing

- Premium-grade, extruded aluminum housing (also available in black or white powder coated)



Illumination

- Ultra-bright, energy efficient, long-lasting Red LED
- UV-stabilized ultra-clear acrylic edgelit panel provided consistent, uniform illumination
- Double face utilizes a silver or white mylar insert

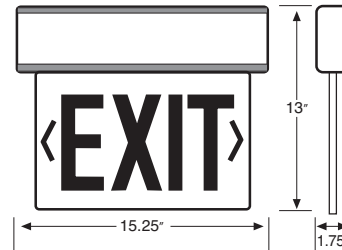
Options

- Edgelit EXIT panels available to order separately (contact customer service)

Warranty

- Five Year Warranty on all electronics and housing. Batteries are pre-rated warranted for 5 years.

Dimensions



Wall mount



Side mount



Ceiling mount

ORDERING INFORMATION

Model	Face #	Letter Color	Panel Color	Housing Color	Battery
NYELXTE	1 - Single Face	R - Red	C - Clear	W - White	Blank - AC Only
	2 - Double Face		M - Mirror (Silver Mylar)	B - Black	EM - NiCad Battery Backup
				W - White (White Mylar)	A - Anodized Aluminum

Model	Face #	Letter Color	Panel Color	Housing Color	Battery
-	-	-	-	-	-

NYRELXTE

New York Approved LED Edgelit Exit Sign—Recessed Mount

Features

- Energy efficient LED technology
- Decals & template provided for chevron directional indicators
- NY approved 8" EXIT letters
- UL listed for damp locations & meets UL924, NFPA 101 Life Safety Code, NEC, OSHA, Local and State Codes

Electrical

- Dual 120V/277V voltage
- Charge rate/power "ON" LED indicator light and push-to-test switch for mandated code compliance testing
- LVD (low voltage disconnect) prevents battery from deep discharge
- Maintenance-free, rechargeable Ni-Cad battery (EM model)
- Internal solid-state transfer switch automatically connects the internal battery to LED Board for minimum 90-minute emergency illumination
- Fully automatic solid-state, two-rate charger initiates battery charging to recharge a discharged battery in 24 hours.
- Energy consumption of less than 3W for AC only and less than 5W for battery backup units

Mounting

- Drop-thru ceiling mount with hanger bars

Housing

- Premium-grade, extruded aluminum housing (also available in black or white powder coated)



NYRELXTERCAEM

Illumination

- Ultra-bright, energy efficient, long-lasting Red LED
- UV-stabilized ultra-clear acrylic edgelit panel
- NY approved 8" EXIT letters
- Double face utilizes a silver or white mylar insert

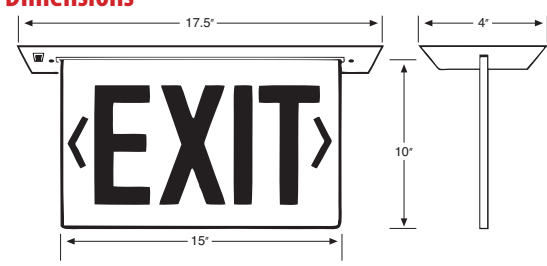
Options

- Edgelit EXIT panels available to order separately (contact customer service)

Warranty

- Five Year Warranty on all electronics and housing. Batteries are pro-rated warranted for 5 years.

Dimensions



ORDERING INFORMATION

Model	Face #	Letter Color	Panel Color	Housing Color	Battery
NYRELXTE	1 - Single Face	R - Red	C - Clear	W - White	Blank - AC Only
	2 - Double Face		M - Mirror (Silver Mylar)	B - Black	EM - NiCad Battery
				W - White (White Mylar)	A - Anodized Aluminum

Model	Face #	Letter Color	Panel Color	Housing Color	Battery



Specifications and dimensions subject to change without notice.
Customer Service: 740-964-1198

NYKXTE

New York Approved Die-Cast Aluminum LED Exit Sign

Features

- Energy efficient LED technology
- NY approved spec-grade curved faceplate with 8" EXIT letters
- UL listed for damp locations & meets UL924, NFPA 101 Life Safety Code, NEC, OSHA, Local and State Codes

Electrical

- Dual 120V/277V voltage
- Charge rate/power "ON" LED indicator light and push-to-test switch for mandated code compliance testing
- LVD (low voltage disconnect) prevents battery from deep discharge
- Maintenance-free, rechargeable Ni-Cad battery (EM model)
- Internal solid-state transfer switch automatically connects the internal battery to LEDs for minimum 90-minute emergency illumination
- Fully automatic solid-state, two-rate charger initiates battery charging to recharge a discharged battery in 24 hours.

Mounting

- Die cast aluminum housing and faceplate
- Die cast mounting canopy included (provides top, end or back mount convenience)
- Universal wall mounting K/O pattern

Housing

- Premium-grade, extruded aluminum housing (also available in black or white powder coated)
- Spec-grade curved faceplate
- Easily removable chevron directional indicators
- Unique design allows double face conversion in the field
- Quick-snap face plate closure



NYKXTEU1RWW



Specify option "TP" for Tamper-Proof face plates

Illumination

- Ultra-bright, energy efficient Red LED
- NY approved 8" EXIT letters

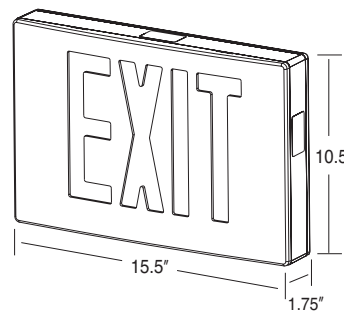
Options

- SDT: Self-Diagnostic (option SDT) continually diagnoses unit's performance and tests system (auto battery discharge once every 30 days and once every 12 months) to ensure reliable operation and to meet electrical and life safety codes
- TP: Screws in corners seal the unit, preventing access to unauthorized personnel
- Die-Cast EXIT panels available to order separately (contact customer service)

Warranty

- Five Year Warranty on all electronics and housing. Batteries are pro-rated warranted for 5 years.

Dimensions



ORDERING INFORMATION

Model	Face #	Letter Color	Housing Color	Face Color	Battery	Options
NYKXTE	1 - Single Face	R - Red	A - Brushed Aluminum	A - Brushed Aluminum	Blank - AC Only	SDT - Self Diagnostics
	2 - Double Face		B - Black Powder Coated	B - Black Powder Coated	EM - NiCad Battery	FP - Face Plate (order separately)
	3 - Universal Single/Double		W - White Powder Coated	W - White Powder Coated		TP - Tamper-Proof Screws

Model	Face #	Letter Color	Housing Color	Face Color	Battery	Options



New York Approved LED Die Cast Aluminum Exit Sign



CA & CXP

Chicago Approved Exit Signs

Features

- City of Chicago Approved
- Heavy duty steel construction
- UL listed for damp locations & meets UL924, NFPA 101 Life Safety Code, NEC, OSHA, Local and State Codes

Electrical

- CXP: Dual 120V/277V voltage
- CA: 120V
- Maintenance-free, rechargeable Ni-Cad battery (CXP model)
- Internal solid-state transfer switch automatically connects the internal battery to lamps for minimum 90-minute emergency illumination
- Fully automatic solid-state, two-rate charger initiates battery charging to recharge a discharged battery in 24 hours.
- Charge rate/power "ON" LED indicator light and push-to-test switch for mandated code compliance testing
- LVD (low voltage disconnect) prevents battery from deep discharge

Mounting

- Side and back KO's provided for mounting convenience

Housing

- Premium-grade, bright white painted steel housing



Illumination

- 130 Volt longlife incandescent exit sign lamps
- 6-Volt, 5.4-Watt wedge base incandescent lamps for emergency operation

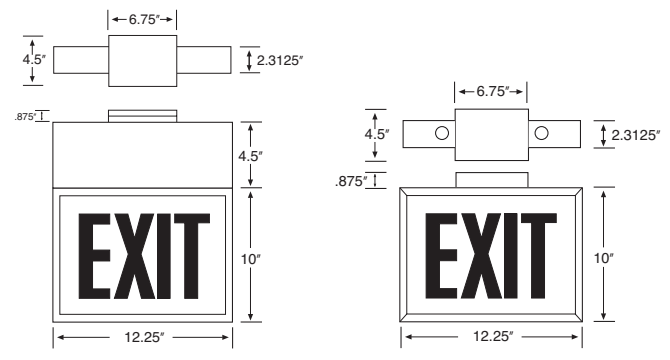
Warranty

- Five Year Warranty on all electronics and housing. Batteries are pro-rated warranted for 5 years.



CXPU1RW-DA

Dimensions



ORDERING INFORMATION

Model	Face #	Letter Color	Housing Color	Directional Indicators
CA	1 - Single Face	R - Red	W - White	NA - No Arrows
CXP	2 - Double Face			DA - Double Arrows
	3 - Universal			RA - Right Arrow
	Single/Double			LA - Left Arrow

Model	Face #	Letter Color	Housing Color	Directional Indicators



Specifications and dimensions subject to change without notice.
Customer Service: 740-964-1198

Incandescent Exit/Emergency Combo

Features

- Patented design in neutral finish
- EZ snap-out chevron directional indicators
- Combines an EXIT sign & emergency light into one low-profile unit
- UL listed for damp locations & meets UL924, NFPA 101 Life Safety Code, NEC, OSHA, Local and State Codes

Electrical

- Dual 120V/277V voltage
- 6V, 6Ah, sealed lead acid, maintenance-free, rechargeable battery
- Charge rate/power "ON" LED indicator light and push-to-test switch for mandated code compliance testing
- LVD (low voltage disconnect) prevents battery from deep discharge

Mounting

- Universal surface mount, wall or ceiling, with EZ-snap thermoplastic mounting canopy, which snaps into place making installation quick & easy.

Housing

- Injection-molded, engineering-grade, V-0 flame retardant, high-impact, thermoplastic in white or black finish



SALIDA faceplates also available.

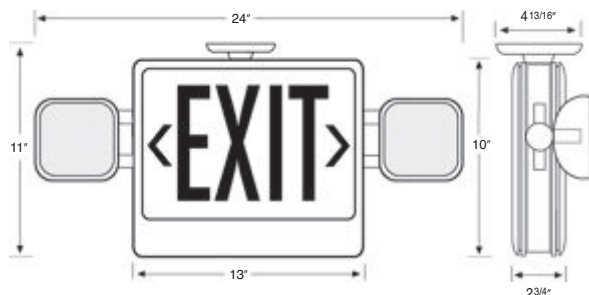
Illumination

- Standard with two 5.4W tungsten, fully adjustable, glare-free emergency lighting heads
- High-performance smooth thermoplastic reflector and plastic lens for optimal light distribution.
- 130V incandescent / 6V, 3.9W tungsten exit sign lamps (EM mode)

Warranty

- Five Year Warranty on all electronics and housing. Batteries are pro-rated warranted for 5 years.

Dimensions



ORDERING INFORMATION

Model	Face #	Letter Color	Housing Color	Battery
CEX	U2 - Universal	RG - Red & Green	W - White	Blank - EM (Standard)
	Single/Double	lenses included	B - Black	

Model	Face #	Letter Color	Housing Color	Battery

Protected by one or more of the following patents: D440,336 S; 6,309,085 B1; 6,606,808 B2

Specifications and dimensions subject to change without notice.
www.bestlighting.net



XT & EX

Incandescent Exit Signs

Features

- Compact, low-profile design in neutral finish
- AC and Battery Backup models available
- UL listed for dry locations & meets UL924, NFPA 101 Life Safety Code, NEC, OSHA, Local and State Code

Electrical

- EX: Dual 120V/277V voltage
- XT: 120V operation
- Charge rate/power "ON" LED indicator light and push-to-test switch for mandated code compliance testing
- LVD (low voltage disconnect) prevents battery from deep discharge
- 6V, 4.5Ah, sealed lead acid, maintenance-free, rechargeable battery (EM models)
- Transfer/Charging Circuitry
- Internal solid-state transfer switch automatically connects the internal battery to lamp heads for minimum 90-minute emergency illumination
- Fully automatic solid-state, two-rate charger initiates battery charging to recharge a discharged battery in 24 hours.

Mounting

- Universal surface mount, wall or ceiling, with EZ-snap thermoplastic mounting canopy, which snaps into place making installation quick & easy.

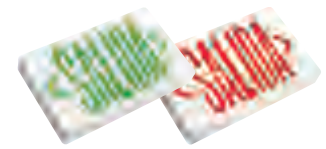
Housing

- Injection-molded, engineering-grade, V-0 flame retardant, high-impact, thermoplastic in white or black finish
- Universal KO chevrons



Illumination

- 130 Volt longlife incandescent lamps
- Two 6V, 5.4W tungsten lamps provide illumination in emergency mode

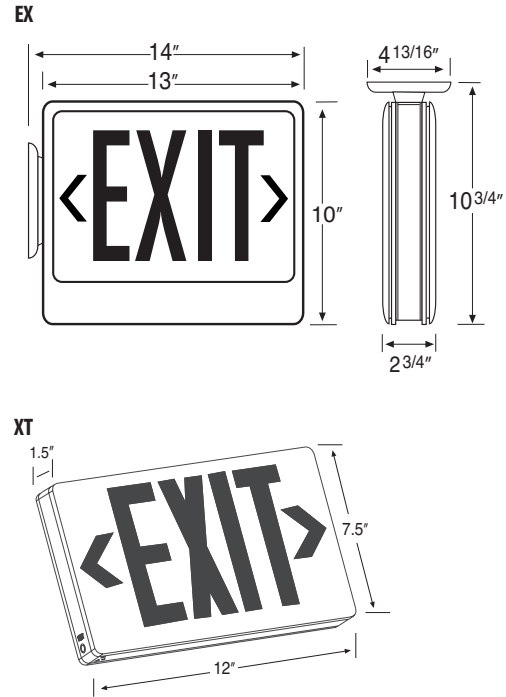


SALIDA faceplates also available.

Warranty

- Five Year Warranty on all electronics and housing. Batteries are pro-rated warranted for 5 years.

Dimensions



ORDERING INFORMATION

Model	Face #	Letter Color	Housing Color	Battery
XT	1 - Single Face	RG - Red & Green lenses included	W - White	Blank - AC Only
	U2 - Universal Single/Double			
EX	1 - Single Face	RG - Red & Green lenses included	W - White	EM - NiCad Battery
	U2 - Universal Single/Double			
Model	Face #	Letter Color	Housing Color	Battery



Retrofit Kits

Red and Green LED Retrofit Kits

Kits easily convert incandescent exit signs to energy efficient LED units!

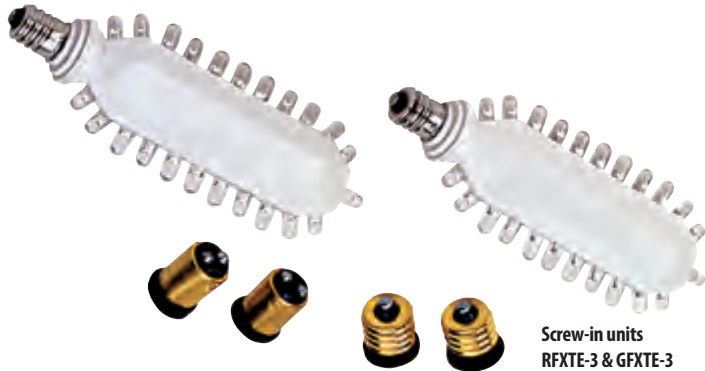


Features (Hardwire Kits)

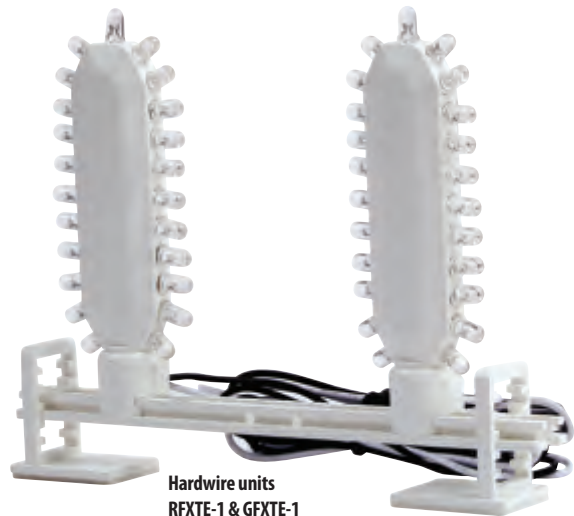
- For 120V or 277V applications
- 2.8 watts per kit
- Kits come complete with mounting bracket and double-face tape

Features (Screw-in Kits)

- For 120V applications
- 2.8 watts per kit
- Socket adapters supplied (for signs with bayonet, intermediate or candelabra bases)
- Each unit is 5 1/8" tall by 1 5/8" wide (add 1/8" when using adapters)



Screw-in units
RFXTE-3 & GFXTE-3



Hardwire units
RFXTE-1 & GFXTE-1

Energy Efficient: LEDs use a fraction of the wattage of incandescent bulbs!

	Incandescent EXIT	EXIT replaced with Green LED Retrofit Kit	EXIT replaced with Red LED Retrofit Kit
EXIT Energy Usage	30W (Two 15W lamps)	1.4W (Two 0.7W LED lamps)	2.8W (Two 1.4W LED lamps)
Hours ON per year	24 x 365 = 8760 hours	24 x 365 = 8760 hours	24 x 365 = 8760 hours
Price per KiloWatt Hour	\$0.09/KW hr	\$0.09/KW hr	\$0.09/KW hr
Energy Usage per Year	262,800 Watts	12,264 Watts	24,528 Watts
Dollars Spent per Year	\$23.65	\$1.10	\$2.21
ENERGY SAVINGS PER YEAR	-	250,536 WATTS	238,272 WATTS
SAVINGS PER YEAR	-	\$22.55	\$21.44

*Example based on 9¢/KW hr

ORDERING INFORMATION

Model	Kit
RFXTE-1	Red Hardwire Kit
GFXTE-1	Green Hardwire Kit
RFXTE-3	Red Screw-in Kit
GFXTE-3	Green Screw-in Kit

Model	Kit

Green & Red LED Retrofit Kits



Vandal Shields

Steel Wire Guards & Polycarbonate Vandal Shields

Guards & Vandal Shields

Polycarbonate "Bubble Guard" Features

- Many sizes to choose from
- High-impact resistant polycarbonate material



Wire Guard Features

- Two sizes to choose from
- Durable steel construction



Polycarbonate Vandal/Environmental Shield Guards

Catalog Model #	For use with	Dimensions
PCS-1	EZXTE, EZRXTE, KXTE, SLXTU	3.25" x 9" x 2.75"
BG-1	XT, EX, EZ, ELXTE, CXPU	15" x 22" x 8"
BGR-1	R-1, R-2, R-5HO, R-16	7.5" x 18" x 5"
BG-3C	CEX, CXTE	15" x 30.5" x 7"



Wire Guards

Catalog Model #	For use with	Dimensions
WG-1	R-1, R-2, R-5HO, R-16, XT, EX, EZ, KXTE, ELXTE	13.5" x 15" x 6"
WG-3	CEX, CXTE	13.5" x 30" x 6"



Specifications and dimensions subject to change without notice.
Customer Service: 740-964-1198

Remote Lamps

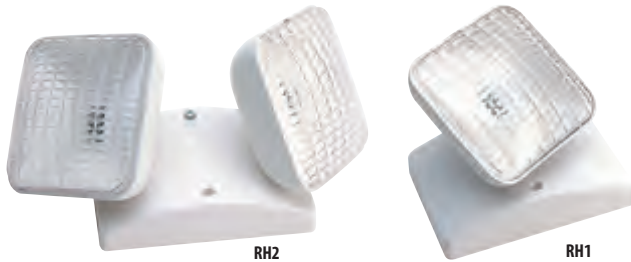
Available in either 6-Volt or 12-Volt configurations and several wattage options

Features

- Many styles and features to choose from
- Universal mounting plate



Remote Lamp Heads



ORDERING INFORMATION

Catalog Model #	No. of Heads	Voltage	Wattage
RH16-1	1	6 Volt	5
RH16-2	2	6 Volt	5

Other voltage and wattage options are available, please contact customer service.



Catalog Model #	No. of Heads	Voltage	Wattage
RHR1-6V5.4	1	6 Volt	5.4
RHR1-6V9	1	6 Volt	9
RHR2-6V5.4	2	6 Volt	5.4
RHR2-6V9	2	6 Volt	9
RHR1-12V7.2	1	12 Volt	7.2
RHR1-12V12	1	12 Volt	12
RHR2-12V7.2	2	12 Volt	7.2
RHR2-12V12	2	12 Volt	12

Other voltage and wattage options are available, please contact customer service.



Catalog Model #	No. of Heads	Voltage	Wattage
RH1-6V5.4	1	6 Volt	5.4
RH1-6V9	1	6 Volt	9
RH2-6V5.4	2	6 Volt	5.4
RH2-6V9	2	6 Volt	9
RH1-12V7.2	1	12 Volt	7.2
RH1-12V12	1	12 Volt	12
RH2-12V7	2	12 Volt	7.2
RH2-12V12	2	12 Volt	12
RH1-WP6V7.2	1	6 Volt	7.2
RH2-WP6V7.2	2	6 Volt	7.2

Other voltage and wattage options are available, please contact customer service.

R-1

Low-Profile, Thermoplastic Emergency Light

Features

- Compact, low-profile design in neutral finish
- Universal mounting plate with EZ Quick Connect for fast installation
- UL listed for damp locations & meets UL924, NFPA 101 Life Safety Code, NEC, OSHA, Local and State Codes

Electrical

- Dual 120V/277V voltage
- Charge rate/power "ON" LED indicator light and push-to-test switch for mandated code compliance testing
- LVD (low voltage disconnect) prevents battery from deep discharge
- 6V, 4.5Ah, sealed lead acid, maintenance-free, rechargeable battery
- Internal solid-state transfer switch automatically connects the internal battery to lamp heads for minimum 90-minute emergency illumination
- Fully automatic solid-state, two-rate charger initiates battery charging to recharge a discharged battery in 24 hours.

Mounting

- Surface mount via easy connect back plate, which fits most standard junction boxes and snaps into place making internal electrical connections
- Conduit mount using knockouts on the back plate

Housing

- Injection-molded, engineering-grade, V-0 flame retardant, high-impact, thermoplastic in white or black finish



Illumination

- Two fully-adjustable 5.4 watt, glare-free lighting heads
- High-performance smooth thermoplastic reflector and plastic lens for optimal light distribution

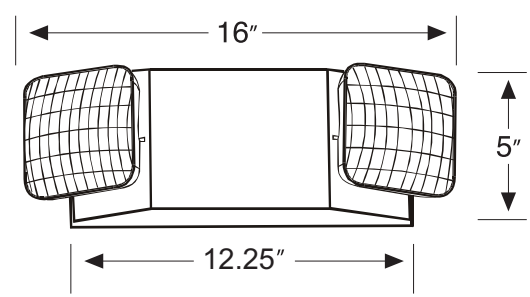
Options

- SDT: Self-Diagnostic (option SDT) continually diagnoses unit's performance and tests system (auto battery discharge once every 30 days and once every 12 months) to ensure reliable operation and to meet electrical and life safety codes
- Using the optional internal heater (-HTR) enables the unit to be used in cold environments (contact customer service)
- CP: 3 foot 3-wire cord and plug available

Warranty

- Five Year Warranty on all electronics and housing. Batteries are pro-rated warranted for 5 years.

Dimensions



ORDERING INFORMATION

Model	Color	Options
R-1	Blank - White	SDT - Self Diagnostics
	B - Black	NiCd - NiCad Battery
		KR5 - 5.4W Krypton Lamps
		CP - Cord & Plug
		HTR - Internal Heater

Model	Color	Options



Specifications and dimensions subject to change without notice.
Customer Service: 740-964-1198

Fixed Optics Thermoplastic Emergency Light

Features

- Compact, low-profile design in neutral finish
- Universal mounting plate with EZ Quick Connect for fast installation
- ETL listed for damp locations & meets UL924, NFPA 101 Life Safety Code, NEC, OSHA, Local and State Codes

Electrical

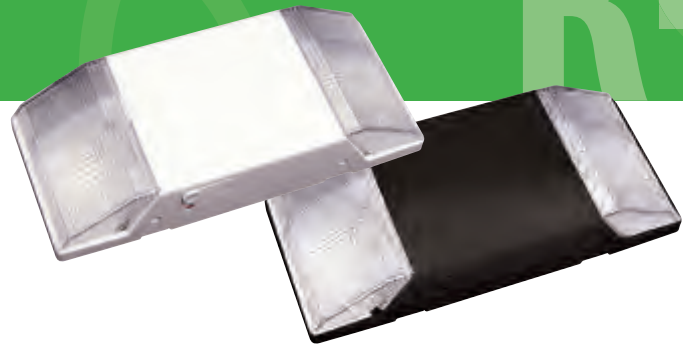
- Dual 120V/277V voltage
- Charge rate/power "ON" LED indicator light and push-to-test switch for mandated code compliance testing
- LVD (low voltage disconnect) prevents battery from deep discharge
- 6V, 4.5Ah, sealed lead acid, maintenance-free, rechargeable battery
- Internal solid-state transfer switch automatically connects the internal battery to lamp heads for minimum 90-minute emergency illumination
- Fully automatic solid-state, two-rate charger initiates battery charging to recharge a discharged battery in 24 hours

Mounting

- Surface mount via easy connect back plate, which fits most standard junction boxes and snaps into place making internal electrical connections.

Housing

- Injection-molded, engineering-grade, V-0 flame retardant, high-impact, thermoplastic in white or black finish



Illumination

- Two fixed optics 5.4 watt, glare-free lighting heads
- High-performance smooth thermoplastic reflector and plastic lens for optimal light distribution

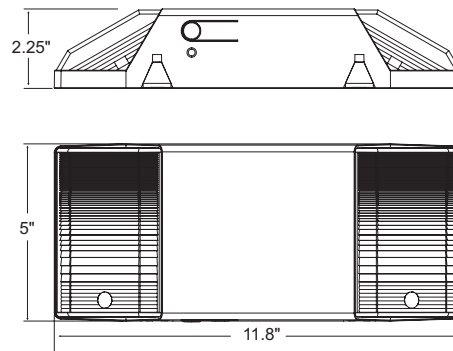
Options

- SDT: Self-Diagnostic (option SDT) continually diagnoses unit's performance and tests system (auto battery discharge once every 30 days and once every 12 months) to ensure reliable operation and to meet electrical and life safety codes
- CP: 3 foot 3-wire cord and plug available

Warranty

- Five Year Warranty on all electronics and housing. Batteries are pro-rated warranted for 5 years.

Dimensions



ORDERING INFORMATION

Model	Color	Options
R-2	Blank - White	SDT - Self Diagnostics
	B - Black	KR5 - 5.4W Krypton Lamps
		CP - Cord & Plug

Model	Color	Options
-	-	-



R-16

Low-Profile, Thermoplastic Emergency Light with MR-16 Halogen Lamp Heads

Features

- Compact, low-profile design in neutral finish
- Universal mounting plate with EZ Quick Connect for fast installation
- UL listed for damp locations & meets UL924, NFPA 101 Life Safety Code, NEC, OSHA, Local and State Codes

Electrical

- Dual 120V/277V voltage
- Charge rate/power "ON" LED indicator light and push-to-test switch for mandated code compliance testing
- LVD (low voltage disconnect) prevents battery from deep discharge
- 6V, 4.5Ah, sealed lead acid, maintenance-free, rechargeable battery
- Internal solid-state transfer switch automatically connects the internal battery to lamp heads for minimum 90-minute emergency illumination
- Fully automatic solid-state, two-rate charger initiates battery charging to recharge a discharged battery in 24 hours

Mounting

- Surface mount via easy connect back plate, which fits most standard junction boxes and snaps into place making internal electrical connections
- Conduit mount using knockouts on back plate

Housing

- Injection-molded, engineering-grade, V-0 flame retardant, high-impact, thermoplastic in white or black finish



Illumination

- Two fully adjustable 6V, 5W MR-16 halogen lamp heads

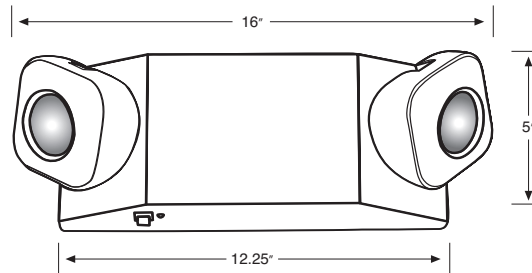
Options

- SDT: Self-Diagnostic (option SDT) continually diagnoses unit's performance and tests system (auto battery discharge once every 30 days and once every 12 months) to ensure reliable operation and to meet electrical and life safety codes
- Using the optional internal heater (-HTR) enables the unit to be used in cold environments (contact customer service).
- CP: 3 foot 3-wire cord and plug available

Warranty

- Five Year Warranty on all electronics and housing. Batteries are pro-rated warranted for 5 years.

Dimensions



ORDERING INFORMATION

Model	Color	Options
R-16	Blank - White B - Black	SDT - Self Diagnostics CP - Cord & Plug HTR - Internal Heater

Model	Color	Options
-	-	-



R-5HO

High-Output, Remote Capble Thermoplastic Emergency Light

Features

- Compact, low-profile design in neutral finish
- Universal mounting plate with EZ Quick Connect for fast installation
- Remote Capable
- UL listed for damp locations & meets UL924, NFPA 101 Life Safety Code, NEC, OSHA, Local and State Codes

Electrical

- Unit can operate a total of 22W for a minimum of 90 minutes
- Dual 120V/277V voltage
- Charge rate/power "ON" LED indicator light and push-to-test switch for mandated code compliance testing
- LVD (low voltage disconnect) prevents battery from deep discharge
- 6V, 7.2Ah, sealed lead acid, maintenance-free, rechargeable battery
- Internal solid-state transfer switch automatically connects the internal battery to lamp heads for minimum 90-minute emergency illumination
- Fully automatic solid-state, two-rate charger initiates battery charging to recharge a discharged battery in 24 hours

Mounting

- Surface mount via easy connect back plate, which fits most standard junction boxes and snaps into place making internal electrical connections
- Conduit mount using knockouts on back plate

Housing

- Injection-molded, engineering-grade, V-0 flame retardant, high-impact, thermoplastic in white or black finish



Illumination

- Two fully-adjustable 5.4 watt, glare-free lighting heads
- High-performance smooth thermoplastic reflector and plastic lens for optimal light distribution
- Provides 11W of remote capability

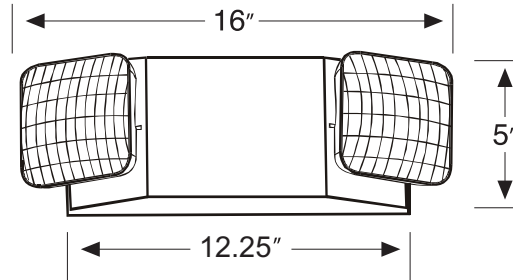
Options

- SDT: Self-Diagnostic (option SDT) continually diagnoses unit's performance and tests system (auto battery discharge once every 30 days and once every 12 months) to ensure reliable operation and to meet electrical and life safety codes
- CP: 3 foot 3-wire cord and plug available

Warranty

- Five Year Warranty on all electronics and housing. Batteries are pro-rated warranted for 5 years.

Dimensions



ORDERING INFORMATION

Model	Color	Options
R-5HO	Blank - White	KR9 - 9W Krypton Lamps
	B - Black	9W - 9W Tungsten Lamps
		HL - High Lumen output: 95% aluminum reflectors in heads
		SDT - Self Diagnostic Testing
		CP - Cord & Plug

Model	Color	Options



High-Output, Remote Capable Thermoplastic Emergency Light

Remote-Capable, Thermoplastic Emergency Light with MR-16 Halogen Lamp Heads

Features

- Compact, low-profile design in neutral finish
- Universal mounting plate with EZ Quick Connect for fast installation
- Remote Capable
- UL listed for damp locations & meets UL924, NFPA 101 Life Safety Code, NEC, OSHA, Local and State Codes

Electrical

- Unit can operate a total of 20W for a minimum of 90 minutes
- Dual 120V/277V voltage
- Charge rate/power "ON" LED indicator light and push-to-test switch for mandated code compliance testing
- LVD (low voltage disconnect) prevents battery from deep discharge
- 6V, 7.2Ah, sealed lead acid, maintenance-free, rechargeable battery
- Internal solid-state transfer switch automatically connects the internal battery to lamp heads for minimum 90-minute emergency illumination
- Fully automatic solid-state, two-rate charger initiates battery charging to recharge a discharged battery in 24 hours

Mounting

- Surface mount via easy connect back plate, which fits most standard junction boxes and snaps into place making internal electrical connections
- Conduit mount using knockouts on back plate

Housing

- Injection-molded, engineering-grade, V-0 flame retardant, high-impact, thermoplastic in white or black finish



Illumination

- Two fully adjustable 6V, 5W MR-16 halogen lamps
- Provides 10W of remote capability

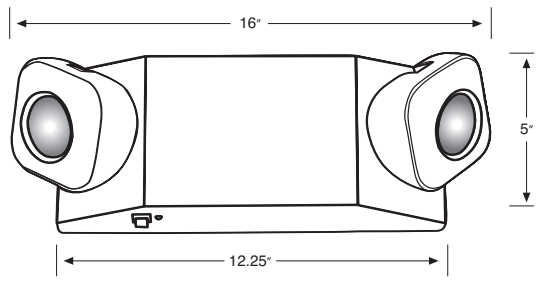
Options

- SDT: Self-Diagnostic (option SDT) continually diagnoses unit's performance and tests system (auto battery discharge once every 30 days and once every 12 months) to ensure reliable operation and to meet electrical and life safety codes
- CP: 3 foot 3-wire cord and plug available

Warranty

- Five Year Warranty on all electronics and housing. Batteries are pro-rated warranted for 5 years.

Dimensions



ORDERING INFORMATION

Model	Color	Options
R-16HO	Blank - White	SDT - Self Diagnostics
	B - Black	CP - Cord & Plug
		10W - 10 Watt MR16 lamps

Model	Color	Options
-	-	-



Specifications and dimensions subject to change without notice.
Customer Service: 740-964-1198

Recessed Ceiling Mount Emergency Light

Features

- Durable steel construction
- Flush mount with drop-thru ceilings
- UL listed for damp locations & meets UL924, NFPA 101 Life Safety Code, NEC, OSHA, Local and State Codes

Electrical

- Dual 120V/277V voltage
- Charge rate/power "ON" LED indicator light and push-to-test switch for mandated code compliance testing
- LVD (low voltage disconnect) prevents battery from deep discharge
- 6V, 4.5Ah, sealed lead acid, maintenance-free, rechargeable battery
- Internal solid-state transfer switch automatically connects the internal battery to lamp heads for minimum 90-minute emergency illumination
- Fully automatic solid-state, two-rate charger initiates battery charging to recharge a discharged battery in 24 hours

Mounting

- Recessed mount using adjustable bar hangers

Housing

- Heavy duty steel faceplate, powder coated white or black finish
- Recessed housing equipped with adjustable bar hangers for installation flexibility
- Injection molded, V-0 flame retardant, thermoplastic lighting heads



Illumination

- Two fully-adjustable 6V, 5.4W tungsten wedge base lighting heads
- High-performance smooth thermoplastic reflector and tempered glass lens for optimal light distribution and resistance to discoloration.

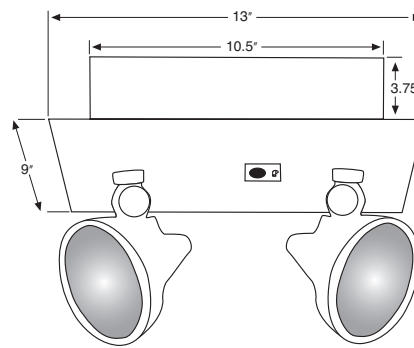
Options

- SDT: Self-Diagnostic (option SDT) continually diagnoses unit's performance and tests system (auto battery discharge once every 30 days and once every 12 months) to ensure reliable operation and to meet electrical and life safety codes

Warranty

- Five Year Warranty on all electronics and housing. Batteries are pro-rated warranted for 5 years.

Dimensions



ORDERING INFORMATION

Model	Color	Options
R-7	Blank - White B - Black	SDT - Self Diagnostic Testing

Model	Options
-	



RMR-16

Thermoplastic Emergency Light with adjustable MR-16 Halogen Lamp Heads

Features

- Compact, low-profile design in neutral finish
- Mounting plate with EZ quick connect for quick & easy installation
- UL listed for damp locations & meets UL924, NFPA 101 Life Safety Code, NEC, OSHA, Local and State Codes

Electrical

- Dual 120V/277V voltage
- Charge rate/power "ON" LED indicator light and push-to-test switch for mandated code compliance testing
- LVD (low voltage disconnect) prevents battery from deep discharge
- 6V, 4.5Ah, sealed lead acid, maintenance-free, rechargeable battery
- Internal solid-state transfer switch automatically connects the internal battery to lamp heads for minimum 90-minute emergency illumination
- Fully automatic solid-state, two-rate charger initiates battery charging to recharge a discharged battery in 24 hours

Mounting

- Surface mount via easy connect back plate, which fits most standard junction boxes and snaps into place making internal electrical connections
- Conduit mount using knockouts on back plate

Housing

- Injection-molded, engineering-grade, V-0 flame retardant, high-impact, thermoplastic in white or black finish



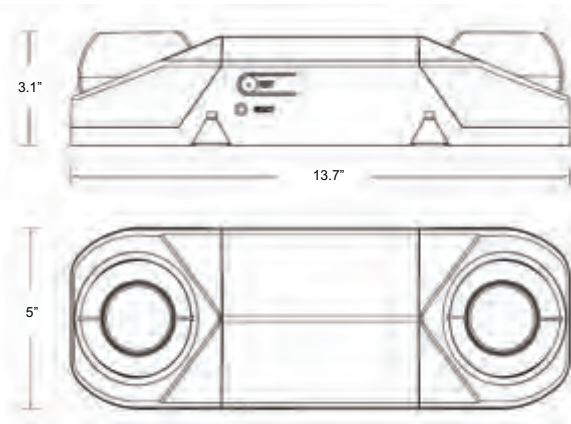
Illumination

- Ultra-bright, round, adjustable 6V, 7W MR-16 halogen lamp heads

Warranty

- Five Year Warranty on all electronics and housing. Batteries are pro-rated warranted for 5 years.

Dimensions



ORDERING INFORMATION

Model	Color
RMR-16	W - White
	B - Black

Model	Color
-	-



RMR16-WP

Wet Location Emergency Light with MR-16 Halogen Lamp Heads

Features

- Compact, low-profile design in neutral finish
- Fully-gasketed polycarbonate enclosure provides resistance to corrosive atmospheres and non-hazardous environments
- UL listed for wet locations & meets UL924, NFPA 101 Life Safety Code, NEC, OSHA, Local and State Codes

Electrical

- Dual 120V/277V voltage
- Charge rate/power "ON" LED indicator light and push-to-test switch for mandated code compliance testing
- LVD (low voltage disconnect) prevents battery from deep discharge
- 6V, 4.5Ah, sealed lead acid, maintenance-free, rechargeable battery
- Internal solid-state transfer switch automatically connects the internal battery to lamp heads for minimum 90-minute emergency illumination
- Fully automatic solid-state, two-rate charger initiates battery charging to recharge a discharged battery in 24 hours

Mounting

- Surface mount via easy connect back plate, which fits most standard junction boxes and snaps into place making internal electrical connections
- Conduit mount using knockouts on back plate

Housing

- Injection-molded, engineering-grade, V-0 flame retardant, high-impact, thermoplastic in neutral gray finish
- Fully-gasketed clear polycarbonate cover offers protection against wet, non-hazardous dust, and hose-down locations



Illumination

- Two adjustable, ultra-bright, round 6V, 7W MR-16 halogen lighting heads

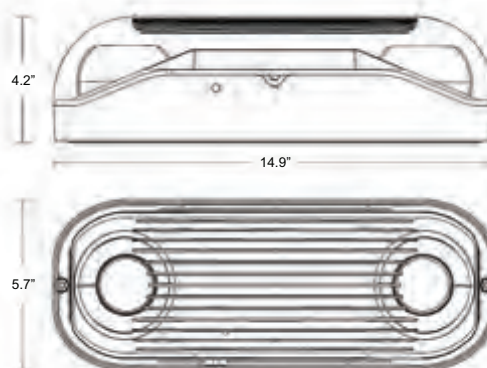
Options

- Using the optional internal heater (-HTR) enables the unit to be used in cold environments (contact customer service).

Warranty

- Five Year Warranty on all electronics and housing. Batteries are pro-rated warranted for 5 years.

Dimensions



ORDERING INFORMATION

Model	Color	Options
RMR-16WP	G - Gray	HTR - Internal Heater

Model	Color	Options
-	-	-

Recessed Ceiling Mount Emergency Light

PAR-1

Thermoplastic Emergency Light with PAR-Type Lamp Heads

Features

- Compact, low-profile design in neutral finish
- Mounting plate with EZ quick connect for quick & easy installation
- UL listed for damp locations & meets UL924, NFPA 101 Life Safety Code, NEC, OSHA, Local and State Codes

Electrical

- Dual 120V/277V voltage
- Charge rate/power "ON" LED indicator light and push-to-test switch for mandated code compliance testing
- LVD (low voltage disconnect) prevents battery from deep discharge
- 6V, 4.5Ah, sealed lead acid, maintenance-free, rechargeable battery
- Internal solid-state transfer switch automatically connects the internal battery to lamp heads for minimum 90-minute emergency illumination
- Fully automatic solid-state, two-rate charger initiates battery charging to recharge a discharged battery in 24 hours

Mounting

- Surface mount via easy connect back plate, which fits most standard junction boxes and snaps into place making internal electrical connections
- Conduit mount using knockouts on back plate

Housing

- Injection-molded, engineering-grade, V-0 flame retardant, high-impact, thermoplastic in white or black finish



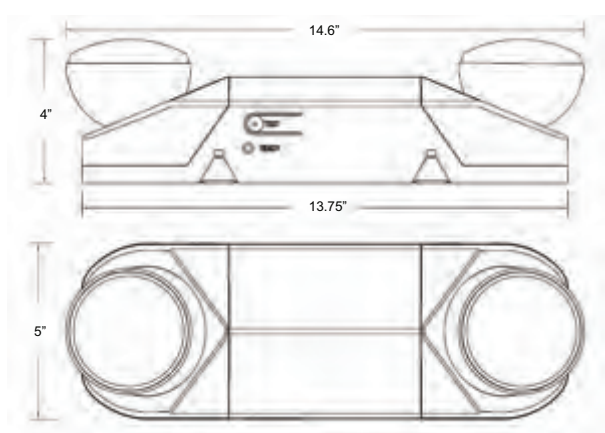
Illumination

- Two incandescent 6V 5.4W lamps with adjustable PAR-Type lamp heads
- Highly reflective metal reflectors in heads

Warranty

- Five Year Warranty on all electronics and housing. Batteries are pro-rated warranted for 5 years.

Dimensions



ORDERING INFORMATION

Model	Color
PAR-1	W - White
	B - Black

Model	Color
-	-



Specifications and dimensions subject to change without notice.
Customer Service: 740-964-1198

EMRL-1

Recessed Emergency Downlighting with Adjustable Gimbal Trim

Features

- Recessed downlighting for emergency lighting applications
- Mounting bar hangers included for quick & easy installation
- UL listed for damp locations & meets UL924, NFPA 101 Life Safety Code, NEC, OSHA, Local and State Codes

Electrical

- Dual 120V/277V voltage
- Isolating transformer
- Junction box with 3/4" knockouts for AC input
- Charge rate/power "ON" LED indicator light and push-to-test switch for mandated code compliance testing
- 6V, 4.5Ah, sealed lead acid, maintenance-free, rechargeable battery
- Battery and circuit housing inside the unit
- Internal solid-state transfer switch automatically connects the internal battery to lamp heads for minimum 90-minute emergency illumination
- Fully automatic solid-state, two-rate charger initiates battery charging to recharge a discharged battery in 24 hours
- CCEA Plenum Rating Certified

Housing

- Steel mounting frame and housing
- 6" recessed housing with mounting bar hangers
- Impact-resistant thermoplastic adjustable gimbal trim
- Trim attaches to housing with spring clips

Mounting

- Recessed ceiling mount with mounting bar hangers



Pictured above with black trim

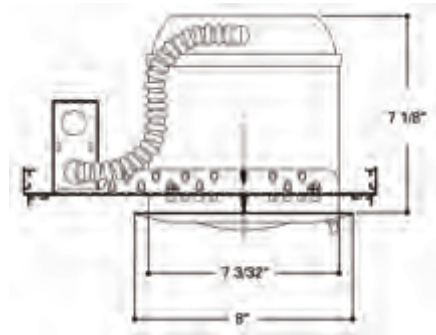
Illumination

- Supplied with an 8W Bi-Pin Halogen lamp
- Custom PAR-36 size reflector and lens offer optimum emergency lighting
- Adjustable aiming angle

Warranty

- Five Year Warranty on all electronics and housing. Batteries are pro-rated warranted for 5 years.

Dimensions



ORDERING INFORMATION

Model	Trim Color
EMRL-1	W - White
	B - Black

Model	Trim Color
-	-

6V and 12V Heavy Duty Emergency Lighting

Features

- Heavy duty construction
- Remote Capable
- UL listed for damp locations & meets UL924, NFPA 101 Life Safety Code, NEC, OSHA, Local and State Codes

Electrical

- Dual 120V/277V voltage
- Charge rate/power "ON" LED indicator light and push-to-test switch for mandated code compliance testing
- LVD (low voltage disconnect) prevents battery from deep discharge
- 6V, 10Ah, sealed lead acid, maintenance-free, rechargeable battery
- Internal solid-state transfer switch automatically connects the internal battery to lamp heads for minimum 90-minute emergency illumination
- Fully automatic solid-state, two-rate charger initiates battery charging to recharge a discharged battery in 24 hours

Housing

- Injection-molded, engineering-grade, V-0 flame retardant, high-impact, thermoplastic construction
- Side and top conduit knockouts

Options

- SDT: Self-Diagnostic (option SDT) continually diagnoses unit's performance and tests system (auto battery discharge once every 30 days and once every 12 months) to ensure reliable operation and to meet electrical and life safety codes
- Using the optional internal heater (-HTR) enables the unit to be used in cold environments (contact the factory for more information)



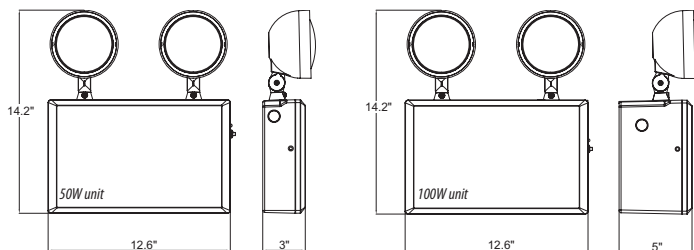
Illumination

- Adjustable, glare-free PAR-Type lamp heads
- 6V model offers 7.2W lamps, standard
- 12V model offers 9W/12W lamps, standard

Warranty

- Five Year Warranty on all electronics and housing. Batteries are pro-rated warranted for 5 years.

Dimensions



Remote Capability

Model #	Watts for 1-1/2 hrs.	Voltage	Total Connected Heads/Fixtures		
			4 hrs.	2 hrs.	1.5 hrs.
DXR-65	50	6	2*	4*	6*
DXR-610	100	6	4*	9*	12*
DXR-125	50	12	2**	3**	5**
DXR-1210	100	12	4**	7**	10**

*Based on 7.2 watt lamps, standard
**Based on 9 watt lamps, standard



ORDERING INFORMATION

Model	Voltage	Watts (for 90 minutes)	Options
DXR	6 - 6V	5 - 50W	SDT - Self Diagnostic Testing HTR - Internal Heater (only available with DXR65 & DXR125) 12SB (12V12W Sealed Beam Halogen) 20SB (12V20W Sealed Beam Halogen)
	12 - 12V	10 - 100W	

Model	Voltage	Watts (for 90 minutes)	Options



Wet Location Emergency Lighting



Features

- Polycarbonate housing provides resistance to corrosive and non-hazardous dust environments
- Remote Capable
- UL listed for wet locations & meets UL924, NFPA 101 Life Safety Code, NEC, OSHA, Local and State Codes

Electrical

- Dual 120V/277V voltage
- Charge rate/power "ON" LED indicator light and push-to-test switch for mandated code compliance testing
- 6V, 7.2Ah, sealed lead acid, maintenance-free, rechargeable battery
- Internal solid-state transfer switch automatically connects the internal battery to lamp heads for minimum 90-minute emergency illumination
- Fully automatic solid-state, two-rate charger initiates battery charging to recharge a discharged battery in 24 hours

Housing

- Corrosion-resistant polycarbonate housing
- Sealed and gasketed housing with hinged cover
- Sealed test switch and power "ON" indicator light
- Integral breather vent

Mounting

- External mounting brackets for simplified wall mounting

Illumination

- Sealed and gasketed weather proof lighting heads with tempered glass lenses
- 6V, 7.2W incandescent wedge base lamps
- Provides 15W of remote capability

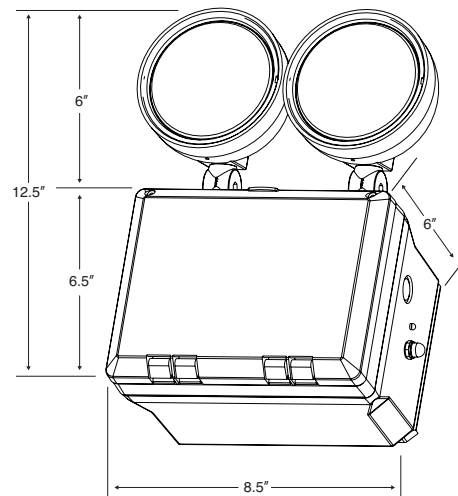
Options

- SDT: Self-Diagnostic (option SDT) continually diagnoses unit's performance and tests system (auto battery discharge once every 30 days and once every 12 months) to ensure reliable operation and to meet electrical and life safety codes
- Using the optional internal heater (-HTR) enables the unit to be used in cold environments (contact the factory for more information)

Warranty

- Five Year Warranty on all electronics and housing. Batteries are pro-rated warranted for 5 years.

Dimensions



ORDERING INFORMATION

Model	Options
TFX-2	SDT - Self Diagnostic Testing
	RC - Remote Capable (30W total)
	HTR - Internal Heater

Model	Options
-	

New York Approved Incandescent Emergency Lighting

Features

- Heavy duty construction
- NY approved housing
- UL listed for damp locations & meets UL924, NFPA 101 Life Safety Code, NEC, OSHA, Local and State Codes

Electrical

- Dual 120V/277V voltage
- Remote Capability available on 12V model
- Charge rate/power "ON" LED indicator light and push-to-test switch for mandated code compliance testing
- LVD (low voltage disconnect) prevents battery from deep discharge
- 6V, sealed lead acid, maintenance-free, rechargeable battery
- Internal solid-state transfer switch automatically connects the internal battery to lamp heads for minimum 90-minute emergency illumination
- Fully automatic solid-state, two-rate charger initiates battery charging to recharge a discharged battery in 24 hours

Housing

- Heavy 20-gauge steel construction
- White powder-coated finish
- Side and top conduit knockouts
- White or black finish
- Thermoplastic emergency lamp heads



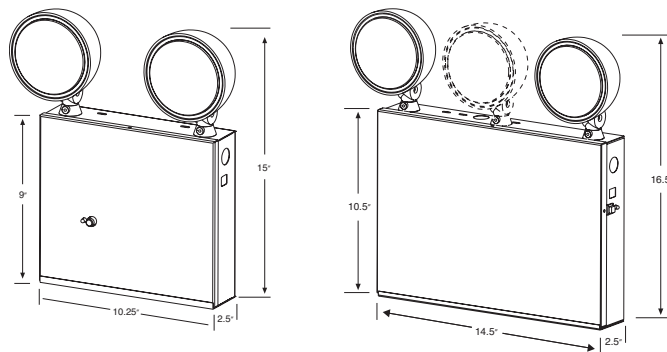
Illumination

- Adjustable, glare-free PAR-Type lamp heads
- Optional 3rd head included
- 6V model offers 9W lamps, standard
- 12V model offers 12W lamps, standard
- Remote Capability available on 12V model

Warranty

- Five Year Warranty on all electronics and housing. Batteries are pro-rated warranted for 5 years.

Dimensions



ORDERING INFORMATION

Model	Voltage	No. of Heads	Unit Wattage	Lamp Wattage	Options	Housing Color
NYDXR	6 - 6V	2 - Two Heads	18 - 18W	9 - 9W	--	Blank - White
	6 - 6V	3 - Three Heads	27 - 27W	9 - 9W	--	B - Black
	12 - 12V	3 - Three Heads	50 - 50W	12 - 12W	RC - Remote Capable (50W unit only)	

Model	Voltage	No. of Heads	Unit Wattage	Lamp Wattage	Options	Housing Color
-	-	-	-	-	-	-



NYDXR-LED

New York Approved LED Emergency Lighting

Features

- Heavy duty construction
- NY approved steel housing
- UL listed for damp locations & meets UL924, NFPA 101 Life Safety Code, NEC, OSHA, Local and State Codes

Electrical

- Dual 120V/277V voltage
- Charge rate/power "ON" LED indicator light and push-to-test switch for mandated code compliance testing
- Maintenance-free, rechargeable 9.6V NiCad battery
- Transfer/Charging Circuitry
- Internal solid-state transfer switch automatically connects the internal battery to lamp heads for minimum 90-minute emergency illumination
- Fully automatic solid-state, two-rate charger initiates battery charging to recharge a discharged battery in 24 hours

Housing

- Heavy 20-gauge steel construction
- White powder-coated finish
- Side and top conduit knockouts
- White or black finish
- Thermoplastic emergency lamp heads

Mounting

- External mounting brackets for simplified wall mounting

Options

- High-Output model (HO) offers remote capability for one or two remote LED lamp heads. (For LED remote lamp heads, please contact customer service)



Illumination

- Ultra bright, all white LED—more lumen output than standard incandescent model

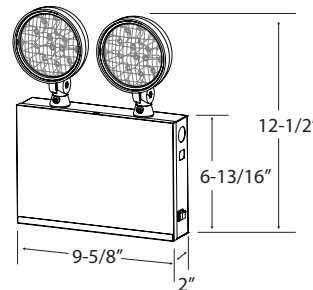
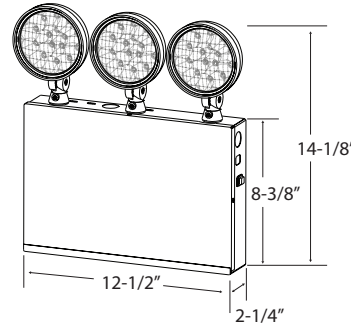
Warranty

- Five Year Warranty on all electronics and housing. Batteries are pro-rated warranted for 5 years.



Fifteen energy-efficient, ultra bright LEDs per emergency lighting head!

Dimensions



ORDERING INFORMATION

Model	Voltage	No. of Heads	Options	Housing Color
NYDXR-LED	6 - 6V	2 - 2 LED Heads	HO - High-Output Remote Capable model	Blank - White Housing
		3 - 3 LED Heads		B - Black Housing

Model	Voltage	No. of Heads	Options	Housing Color
-	-	-	-	-

CA26S10

Chicago Approved Emergency Lighting

Features

- Heavy duty construction
- City of Chicago Approved (120-Minute emergency operation)
- UL listed for damp locations & meets UL924, NFPA 101 Life Safety Code, NEC, OSHA, Local and State Codes

Electrical

- Dual 120V/277V voltage
- Charge rate/power "ON" LED indicator light and push-to-test switch for mandated code compliance testing
- LVD (low voltage disconnect) prevents battery from deep discharge
- 6V, 10Ah, sealed lead calcium, maintenance-free, rechargeable battery
- Transfer/Charging Circuitry
- Internal solid-state transfer switch automatically connects the internal battery to lamp heads for minimum 120-minute emergency illumination
- Fully automatic solid-state, two-rate charger initiates battery charging to recharge a discharged battery in 24 hours

Housing

- Durable 20-gauge steel construction
- Neutral white finish
- Side and top conduit knockouts



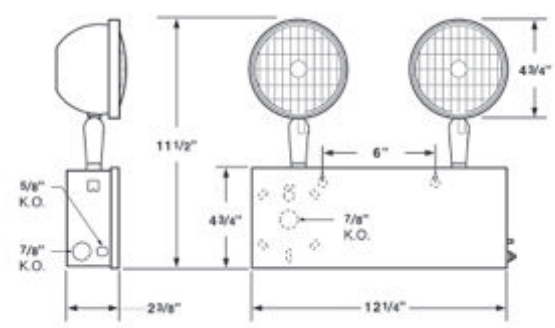
Illumination

- Two 6V, 12W adjustable halogen bi-pin lamp heads

Warranty

- Five Year Warranty on all electronics and housing. Batteries are pro-rated warranted for 5 years.

Dimensions



ORDERING INFORMATION

Model
CA26S10

Model



Fluorescent Emergency Ballast

- Works in conjunction with an AC ballast to convert new or existing fluorescent fixtures into unobtrusive emergency lighting
- Maintains illumination of one lamp in the emergency mode for a minimum of 90 minutes

Features

- Provides a minimum of 90 minutes of emergency illumination
- Can be installed inside, on top or in remote* of the fixture
- Can be used in both switched and unswitched fixtures
- UL 924 Listed for damp location
- UL listed for Retrofit/Field Installation
- Life safety NFPA 101
- NEC/OSHA
- Meets most state and local codes

Electrical

- Dual Voltage Input 120V/277 VAC, 60Hz
- Solid-state charger circuit
- Test Switch/Power Indicator light
- Temperature Rating (Ambient): 0°C to 50°C [32°F to 122°F]
- Maintenance-free, long life, Sealed Nickel Cadmium Battery
- Maximum battery recharge time: 24 hours

Housing

- Painted-white steel housing

Illumination

- Operates one lamp in the emergency mode for a minimum of 90 minutes – please refer to page 51 or consult factory for more information
- Provides a maximum initial lumen output of 500 Lumens

Warranty

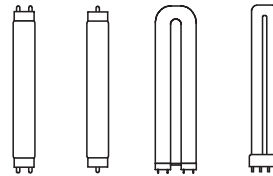
- All Best Lighting emergency ballasts are warranted for a full five (5) years against defects in material and workmanship (lamps excluded)



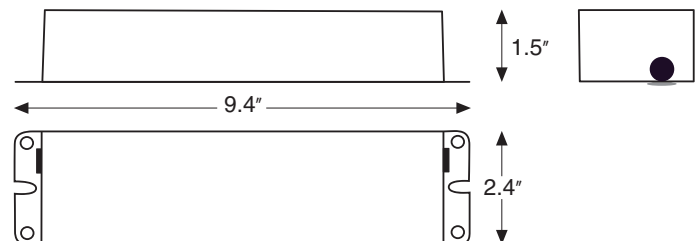
Fluorescent Emergency Ballast

Lamp Compatibility

- Compatible with 1-lamp, 2-lamp, 3-lamp and 4-lamp fixtures with many ballast types including standard, rapid-start, slimline, instant-start, dimming and electronic AC ballast – consult factory regarding specific applications
- Compatible with many different lamp types – refer to page 49 or contact customer service for more information



Dimensions



ORDERING INFORMATION

Model

BAL500

Model

* Conditions apply for remote mounting. Check with the factory for more information.



Fluorescent Emergency Ballast

- Works in conjunction with an AC ballast to convert new or existing fluorescent fixtures into unobtrusive emergency lighting
- Maintains illumination of one lamp in the emergency mode for a minimum of 90 minutes

Features

- Provides a minimum of 90 minutes of emergency illumination
- Can be installed inside, on top or in remote* of the fixture
- Can be used in both switched and unswitched fixtures
- UL 924 Listed for damp location
- UL listed for Retrofit/Field Installation
- Life safety NFPA 101
- NEC/OSHA
- Meets most state and local codes

Electrical

- Dual Voltage Input 120V/277 VAC, 60Hz
- Solid-state charger circuit
- Test Switch/Power Indicator light
- Temperature Rating (Ambient): 0°C to 50°C [32°F to 122°F]
- Maintenance-free, long life, Sealed Nickel Cadmium Battery
- Maximum battery recharge time: 24 hours

Housing

- Painted-white steel housing with 2" conduits on the two ends

Illumination

- Operates one lamp in the emergency mode for a minimum of 90 minutes – please refer to page 51 or consult factory for more information
- Provides a maximum initial lumen output of 650 Lumens

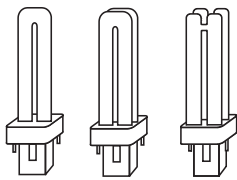
Warranty

- All Best Lighting emergency ballasts are warranted for a full five (5) years against defects in material and workmanship (lamps excluded)

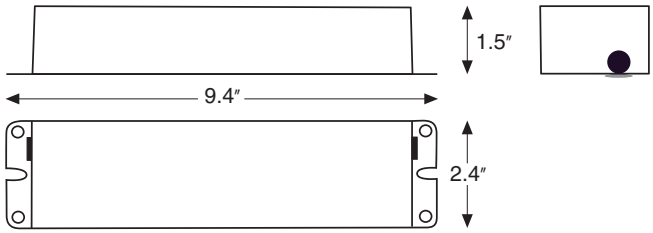


Lamp Compatibility

- Compatible with 1-lamp, 2-lamp, 3-lamp and 4-lamp fixtures with many ballast types including standard, dimming and electronic AC ballasts – consult factory regarding specific applications
- Compatible with many different lamp types – refer to page 49 or contact customer service for more information
- Can only be used with G24d & Gx24d base lamps



Dimensions



ORDERING INFORMATION

Model	BAL650C-2
--------------	-----------

Model	
--------------	--

* Conditions apply for remote mounting. Check with the factory for more information.



Fluorescent Emergency Ballast

BAL650C-4

- Works in conjunction with an AC ballast to convert new or existing fluorescent fixtures into unobtrusive emergency lighting
- Maintains illumination of one or two lamps in the emergency mode for a minimum of 90 minutes



Fluorescent Emergency Ballast

Features

- Provides a minimum of 90 minutes of emergency illumination
- Can be installed inside, on top or in remote* of the fixture
- Can be used in both switched and unswitched fixtures
- UL 924 Listed for damp location
- UL listed for Retrofit/Field Installation
- Life safety NFPA 101
- NEC/OSHA
- Meets most state and local codes

Electrical

- Dual Voltage Input 120V/277 VAC, 60Hz
- Solid-state charger circuit
- Test Switch/Power Indicator light
- Temperature Rating (Ambient): 0°C to 50°C [32°F to 122°F]
- Maintenance-free, long life, Sealed Nickel Cadmium Battery
- Maximum battery recharge time: 24 hours

Housing

- Painted-white steel housing with 2' conduits on the two ends

Illumination

- Operates one or two lamps in the emergency mode for a minimum of 90 minutes – please refer to page 51 or consult factory for more information
- Provides a maximum initial lumen output of 750 Lumens

Warranty

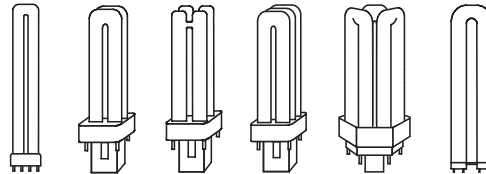
- All Best Lighting emergency ballasts are warranted for a full five (5) years against defects in material and workmanship (lamps excluded)



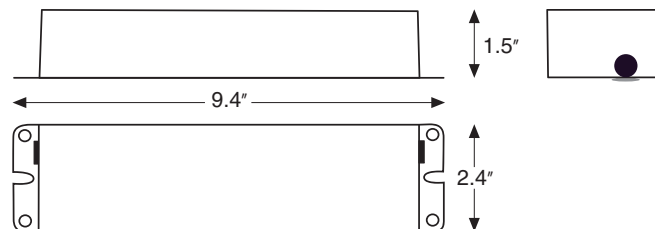
NEW!
Low Voltage
LED Combo Switch!

Lamp Compatibility

- Compatible with 1-lamp, 2-lamp, 3-lamp and 4-lamp fixtures with many ballast types including standard, rapid-start, slimline, instant-start, dimming and electronic AC ballast – consult factory regarding specific applications
- Compatible with many different lamp types – refer to page 49 or contact customer service for more information



Dimensions



ORDERING INFORMATION

Model

BAL650C-4

Model

* Conditions apply for remote mounting. Check with the factory for more information.



Fluorescent Emergency Ballast

- Works in conjunction with an AC ballast to convert new or existing fluorescent fixtures into unobtrusive emergency lighting
- Maintains illumination of one or two lamps in the emergency mode for a minimum of 90 minutes

Features

- Provides a minimum of 90 minutes of emergency illumination
- Can be installed inside, on top or in remote* of the fixture
- Can be used in both switched and unswitched fixtures
- UL 924 Listed for damp location
- UL listed for Retrofit/Field Installation
- Life safety NFPA 101
- NEC/OSHA
- Meets most state and local codes

Electrical

- Dual Voltage Input 120V/277 VAC, 60Hz
- Solid-state charger circuit
- Test Switch/Power Indicator light
- Temperature Rating (Ambient): 0°C to 50°C [32°F to 122°F]
- Maintenance-free, long life, Sealed Nickel Cadmium Battery
- Maximum battery recharge time: 24 hours

Housing

- Painted-white steel housing

Illumination

- Operates one or two lamps in the emergency mode for a minimum of 90 minutes – please refer to page 51 or consult factory for more information
- Provides a maximum initial lumen output of 700 Lumens

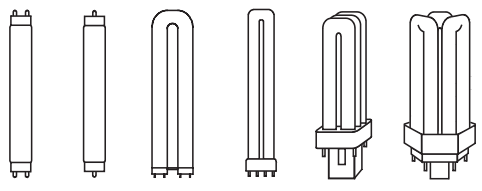
Warranty

- All Best Lighting emergency ballasts are warranted for a full five (5) years against defects in material and workmanship (lamps excluded)

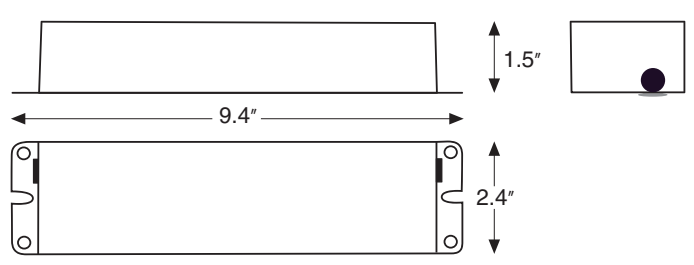


Lamp Compatibility

- Compatible with 1-lamp, 2-lamp, 3-lamp and 4-lamp fixtures with many ballast types including standard, rapid-start, slimline, instant-start, dimming and electronic AC ballast – consult factory regarding specific applications
- Compatible with many different lamp types – refer to page 49 or contact customer service for more information



Dimensions



ORDERING INFORMATION

Model	BAL700
--------------	--------

Model	
--------------	--

* Conditions apply for remote mounting. Check with the factory for more information.



Fluorescent Emergency Ballast

- Works in conjunction with an AC ballast to convert new or existing fluorescent fixtures into unobtrusive emergency lighting
- Maintains illumination of one or two lamps in the emergency mode for a minimum of 90 minutes



Features

- Provides a minimum of 90 minutes of emergency illumination
- Can be installed inside, on top or in remote* of the fixture
- Can be used in both switched and unswitched fixtures
- UL 924 Listed for damp location
- UL listed for Retrofit/Field Installation
- Life safety NFPA 101
- NEC/OSHA
- Meets most state and local codes

Electrical

- Dual Voltage Input 120V/277 VAC, 60Hz
- Solid-state charger circuit
- Test Switch/Power Indicator light
- Temperature Rating (Ambient): 0°C to 50°C [32°F to 122°F]
- Maintenance-free, long life, Sealed Nickel Cadmium Battery
- Maximum battery recharge time: 24 hours

Housing

- Painted-white steel housing

Illumination

- Operates one or two lamps in the emergency mode for a minimum of 90 minutes – please refer to page 51 or consult factory for more information
- Provides a maximum initial lumen output of 1400 Lumens

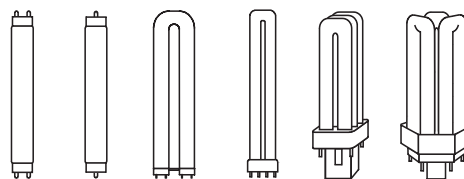
Warranty

- All Best Lighting emergency ballasts are warranted for a full five (5) years against defects in material and workmanship (lamps excluded)

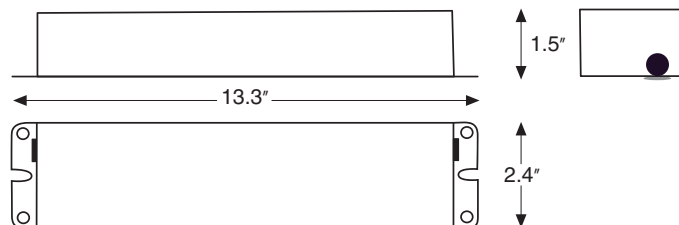


Lamp Compatibility

- Compatible with 1-lamp, 2-lamp, 3-lamp and 4-lamp fixtures with many ballast types including standard, rapid-start, slimline, instant-start, dimming and electronic AC ballast – consult factory regarding specific applications
- Compatible with many different lamp types – refer to page 49 or contact customer service for more information



Dimensions



ORDERING INFORMATION

Model

BAL1400

Model

* Conditions apply for remote mounting. Check with the factory for more information.

BAL3000

Fluorescent Emergency Ballast

- Works in conjunction with an AC ballast to convert new or existing fluorescent fixtures into unobtrusive emergency lighting
- Maintains illumination of one or two lamps in the emergency mode for a minimum of 90 minutes

Features

- Provides a minimum of 90 minutes of emergency illumination
- Can be installed on top of or in remote* of the fixture
- Specification Grade
- Can be used in both switched and unswitched fixtures
- UL 924 Listed for damp location
- UL listed for Retrofit/Field Installation
- Life safety NFPA 101
- NEC/OSHA
- Meets most state and local codes

Electrical

- Dual Voltage Input 120V/277 VAC, 60Hz
- Solid-state charger circuit
- Test Switch/Power Indicator light (Optional remote test switch plate available)
- Temperature Rating (Ambient): 0°C to 50°C [32°F to 122°F]
- Maintenance-free, long life, Sealed Nickel Cadmium Battery
- Maximum battery recharge time: 24 hours

Housing

- Painted-red steel housing with 2' conduit on one end

Illumination

- Operates one or two lamps in the emergency mode for a minimum of 90 minutes – please refer to page 51 or consult factory for more information
- Provides a maximum initial lumen output of 3000 Lumens

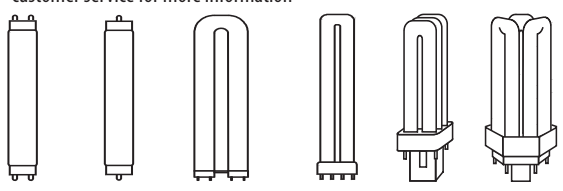
Warranty

- All Best Lighting emergency ballasts are warranted for a full five (5) years against defects in material and workmanship (lamps excluded)

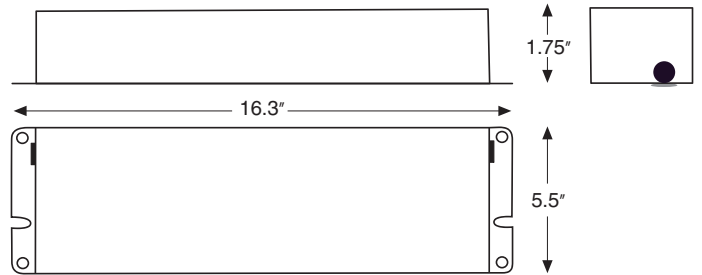


Lamp Compatibility

- Compatible with 1-lamp, 2-lamp, 3-lamp and 4-lamp fixtures with many ballast types including standard, rapid-start, slimline, instant-start, dimming and electronic AC ballast – consult factory regarding specific applications
- Compatible with many different lamp types – refer to page 49 or contact customer service for more information



Dimensions



ORDERING INFORMATION

Model	Options
BAL3000	RTSP - Remote Test Switch Plate

Model

* Conditions apply for remote mounting. Consult factory for more information.



Lamp Compatibility Chart

Fluorescent Emergency Ballasts

LAMP DATA

Lamp Compatibility Chart : Standard Fluorescent Emergency Ballasts

BALLAST MODEL NO.		No. of Lamps Operated	BAL650C-2	BAL650C-4	BAL500	BAL700	BAL1400	BAL3000	
Lumen Output		1L: One Lamp 2L: One or Two Lamps	650	750	500	700	1400	3000	
Linear Fluorescent Lamps	T5 (W)	1L	-	-	-	-	-	-	
		2L	-	-	-	-	-	-	
	T5H0 (W)	1L	-	-	-	-	-	-	
		2L	-	-	-	-	-	-	
	T8 (W)	1L	-	17 - 40	17 - 40	40 - 110	40 - 110	40 - 215	
		2L	-	-	-	17 - 40	17 - 40	17 - 40	
	T10 (W)	1L	-	17 - 40	17 - 40	-	-	-	
		2L	-	-	-	17 - 40	17 - 40	17 - 40	
	T12 (W)	1L	-	17 - 40	17 - 40	40 - 110	40 - 110	40 - 215	
		2L	-	-	-	17 - 40	17 - 40	17 - 40	
Compact Fluorescent Lamps	4-Pin CFL (W)	1L	-	40 - 42	13 - 39	40 - 42	40 - 42	-	
		2L	-	13 - 39	-	13 - 39	13 - 39	13 - 42	
	4-Pin Long CFL (W)	1L	-	40 - 42	13 - 39	40 - 50	40 - 50	40 - 55	
		2L	-	18 - 40	-	18 - 40	18 - 40	18 - 40	
	2-PinCFL (W)	1L	13 - 26	-	-	-	-	-	
Special Fluorescent Lamps	T9 Circline CFL (W)	1L	-	20	20 - 40	-	-	-	
		2L	-	-	-	20 - 40	20 - 40	20 - 40	
	U-Bend (W)	T8	1L	-	32,40	32,40	-	-	-
			2L	-	-	-	32,40	32,40	32,40
		T12	1L	-	34,40	34,40	-	-	-
			2L	-	-	-	34,40	34,40	34,40

* In applications involving 2, 3, or 4-lamp instant-start ballasts, for 2-lamp emergency operation, only 1 lamp will go dim in the test mode. When power is cutoff to the fixtures, both lamps will come on (in EM mode) as they are supposed to.

* Contact customer service for other lamp applications.



Fluorescent Emergency Ballast (with AC Output & Time Delay)

- Works in conjunction with an AC ballast to convert new or existing fluorescent fixtures into unobtrusive emergency lighting
- Maintains illumination of one lamp in the emergency mode for a minimum of 90 minutes

Features

- Provides a minimum of 90 minutes of emergency illumination
- AC Output ensures compatibility with newer lamp technologies and helps prolong lamp life
- Time delay enhancement to overcome end-of-life circuit protection
- Can be installed inside, on top or in remote* of the fixture
- Can be used in both switched and unswitched fixtures
- UL 924 Listed for damp location
- UL listed for Retrofit/Field Installation
- Life safety NFPA 101
- NEC/OSHA
- Meets most state and local codes

Electrical

- Dual Voltage Input 120V/277 VAC, 60Hz
- Solid-state charger circuit
- Test Switch/Power Indicator light
- Temperature Rating (Ambient): 0°C to 50°C [32°F to 122°F]
- Maintenance-free, long life, Sealed NiCad Battery
- Maximum battery recharge time: 24 hours
- AC Output in emergency mode

Housing

- Painted-white steel housing

Illumination

- Operates one lamp in the emergency mode for a minimum of 90 minutes – please refer to page 57 or consult factory for more information
- Provides a maximum initial lumen output of 500 Lumens

Warranty

- All Best Lighting emergency ballasts are warranted for a full five (5) years against defects in material and workmanship (lamps excluded)

ORDERING INFORMATION

Model

BAL500ACTD

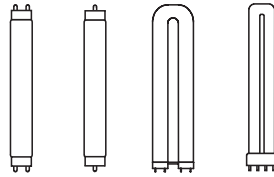
Model



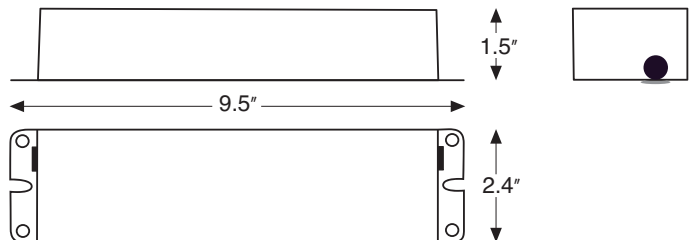
Including
Low-Voltage
LED Combo Switch

Lamp Compatibility

- Compatible with 1-lamp, 2-lamp, 3-lamp and 4-lamp fixtures with many ballast types including standard, rapid-start, slimline, instant-start, energy-saving, dimming and electronic AC ballast – consult factory regarding specific applications
- Compatible with many different lamp types – refer to page 55 or contact customer service for more information



Dimensions



* Conditions apply for remote mounting. Check with the factory for more information.

Fluorescent Emergency Ballast (with AC Output & Time Delay)

- Works in conjunction with an AC ballast to convert new or existing fluorescent fixtures into unobtrusive emergency lighting
- Maintains illumination of one lamp in the emergency mode for a minimum of 90 minutes

Features

- Provides a minimum of 90 minutes of emergency illumination
- AC Output ensures compatibility with newer lamp technologies and helps prolong lamp life
- Time delay enhancement to overcome end-of-life circuit protection
- Can be installed inside, on top or in remote* of the fixture
- Can be used in both switched and unswitched fixtures
- UL 924 Listed for damp location
- UL listed for Retrofit/Field Installation
- Life safety NFPA 101
- NEC/OSHA
- Meets most state and local codes

Electrical

- Dual Voltage Input 120V/277 VAC, 60Hz
- Solid-state charger circuit
- Test Switch/Power Indicator light
- Temperature Rating (Ambient): 0°C to 50°C [32°F to 122°F]
- Maintenance-free, long life, Sealed Nickel Cadmium Battery
- Maximum battery recharge time: 24 hours
- AC Output in emergency mode

Housing

- Painted-white steel housing with 2' conduit on both ends.

Illumination

- Operates one or two lamps in the emergency mode for a minimum of 90 minutes – please refer to page 57 or consult factory for more information
- Provides a maximum initial lumen output of 750 Lumens

Warranty

- All Best Lighting emergency ballasts are warranted for a full five (5) years against defects in material and workmanship (lamps excluded)

ORDERING INFORMATION

Model

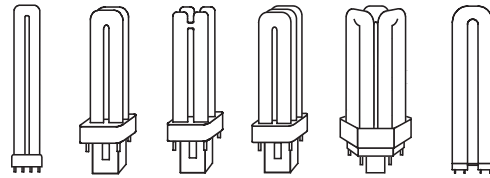
BAL650C-4ACTD

Model

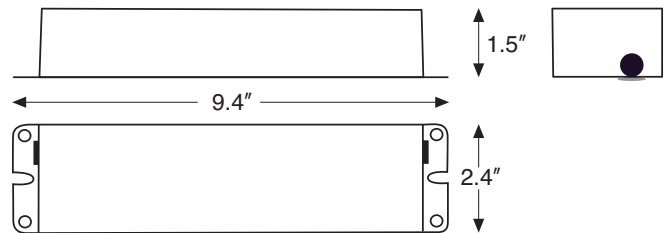


Lamp Compatibility

- Compatible with 1-lamp, 2-lamp, 3-lamp and 4-lamp fixtures with many ballast types including standard, rapid-start, slimline, instant-start, energy-saving, dimming and electronic AC ballast – consult factory regarding specific applications
- Compatible with many different lamp types – refer to page 55 or contact customer service for more information



Dimensions



* Conditions apply for remote mounting. Check with the factory for more information.

Fluorescent Emergency Ballast (with AC Output & Time Delay)

- Works in conjunction with an AC ballast to convert new or existing fluorescent fixtures into unobtrusive emergency lighting
- Maintains illumination of one lamp in the emergency mode for a minimum of 90 minutes

Features

- Provides a minimum of 90 minutes of emergency illumination
- AC Output ensures compatibility with newer lamp technologies and helps prolong lamp life
- Time delay enhancement to overcome end-of-life circuit protection
- Can be installed inside, on top or in remote* of the fixture
- Can be used in both switched and unswitched fixtures
- UL 924 Listed for damp location
- UL listed for Retrofit/Field Installation
- Life safety NFPA 101
- NEC/OSHA
- Meets most state and local codes

Electrical

- Dual Voltage Input 120V/277 VAC, 60Hz
- Solid-state charger circuit
- Test Switch/Power Indicator light
- Temperature Rating (Ambient): 0°C to 50°C [32°F to 122°F]
- Maintenance-free, long life, Sealed Nickel Cadmium Battery
- Maximum battery recharge time: 24 hours
- AC Output in emergency mode

Housing

- Painted-white steel housing

Illumination

- Operates one lamp in the emergency mode for a minimum of 90 minutes – please refer to page 57 or consult factory for more information
- Provides a maximum initial lumen output of 700 Lumens

Warranty

- All Best Lighting emergency ballasts are warranted for a full five (5) years against defects in material and workmanship (lamps excluded)

ORDERING INFORMATION

Model

BAL700ACTD

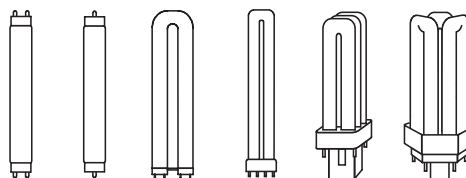
Model



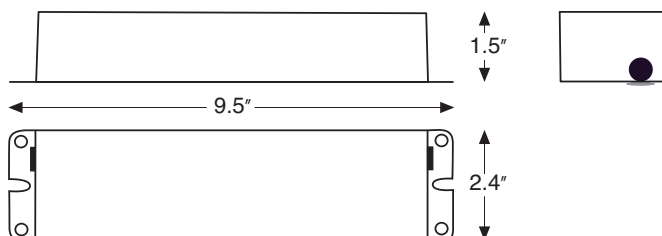
Including Low-Voltage LED Combo Switch

Lamp Compatibility

- Compatible with 1-lamp, 2-lamp, 3-lamp and 4-lamp fixtures with many ballast types including standard, rapid-start, slimline, instant-start, energy-saving, dimming and electronic AC ballast – consult factory regarding specific applications
- Compatible with many different lamp types – refer to page 55 or contact customer service for more information



Dimensions



* Conditions apply for remote mounting. Check with the factory for more information.

Fluorescent Emergency Ballast (with AC Output & Time Delay)

- Works in conjunction with an AC ballast to convert new or existing fluorescent fixtures into unobtrusive emergency lighting
- Maintains illumination of one or two lamps in the emergency mode for a minimum of 90 minutes

Features

- Provides a minimum of 90 minutes of emergency illumination
- AC Output ensures compatibility with newer lamp technologies and helps prolong lamp life
- Time delay enhancement to overcome end-of-life circuit protection
- Can be installed inside, on top or in remote* of the fixture
- Can be used in both switched and unswitched fixtures
- UL 924 Listed for damp location
- UL listed for Retrofit/Field Installation
- Life safety NFPA 101
- NEC/OSHA
- Meets most state and local codes

Electrical

- Dual Voltage Input 120V/277 VAC, 60Hz
- Solid-state charger circuit
- Test Switch/Power Indicator light
- Temperature Rating (Ambient): 0°C to 50°C [32°F to 122°F]
- Maintenance-free, long life, Sealed Nickel Cadmium Battery
- Maximum battery recharge time: 24 hours
- AC Output in emergency mode

Housing

- Painted-white steel housing

Illumination

- Operates one or two lamps in the emergency mode for a minimum of 90 minutes – please refer to page 57 or consult factory for more information
- Provides a maximum initial lumen output of 1400 Lumens

Warranty

- All Best Lighting emergency ballasts are warranted for a full five (5) years against defects in material and workmanship (lamps excluded)

ORDERING INFORMATION

Model

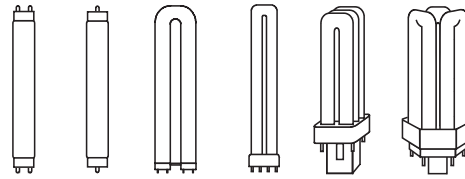
BAL1400ACTD

Model

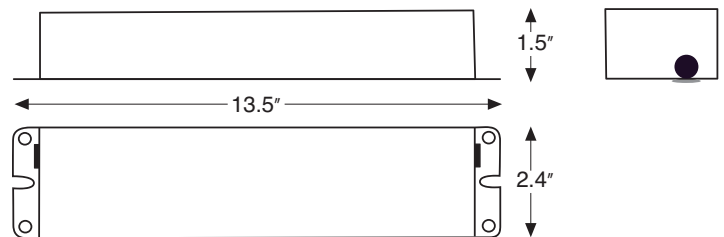


Lamp Compatibility

- Compatible with 1-lamp, 2-lamp, 3-lamp and 4-lamp fixtures with many ballast types including standard, rapid-start, slimline, instant-start, energy-saving, dimming and electronic AC ballast – consult factory regarding specific applications
- Compatible with many different lamp types – refer to page 55 or contact customer service for more information



Dimensions



Fluorescent Emergency Ballast with AC Output & Time Delay

* Conditions apply for remote mounting. Check with the factory for more information.

Fluorescent Emergency Ballast (with AC Output & Time Delay)

- Works in conjunction with an AC ballast to convert new or existing fluorescent fixtures into unobtrusive emergency lighting
- Maintains illumination of one or two lamps in the emergency mode for a minimum of 90 minutes

Features

- Provides a minimum of 90 minutes of emergency illumination
- AC Output ensures compatibility with newer lamp technologies and helps prolong lamp life
- Time delay enhancement to overcome end-of-life circuit protection
- Can be installed on top of or in remote* of the fixture
- Can be used in both switched and unswitched fixtures
- UL 924 Listed for damp location
- UL listed for Retrofit/Field Installation
- Life safety NFPA 101
- NEC/OSHA
- Meets most state and local codes

Electrical

- Dual Voltage Input 120V/277 VAC, 60Hz
- Solid-state charger circuit
- Test Switch/Power Indicator light (Optional remote test switch plate available)
- Temperature Rating (Ambient): 0°C to 50°C [32°F to 122°F]
- Maintenance-free, long life, Sealed Nickel Cadmium Battery
- Maximum battery recharge time: 24 hours
- AC Output in emergency mode

Housing

- Painted-red steel housing with 2" conduit on one end

Illumination

- Operates one or two lamps in the emergency mode for a minimum of 90 minutes – please refer to page 57 or consult factory for more information
- Provides a maximum initial lumen output of 3000 Lumens

Warranty

- All Best Lighting emergency ballasts are warranted for a full five (5) years against defects in material and workmanship (lamps excluded)

ORDERING INFORMATION

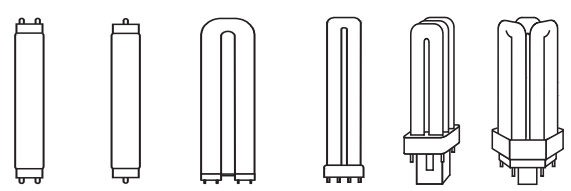
Model	Options
BAL3000ACTD	RTSP - Remote Test Switch Plate

Model

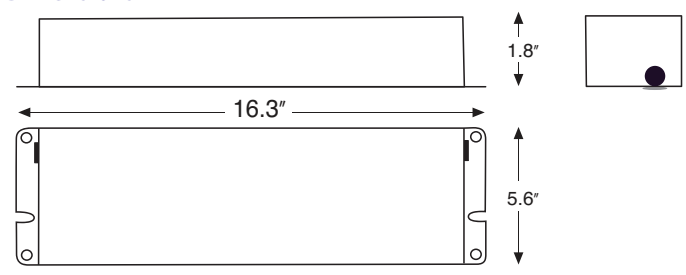


Lamp Compatibility

- Compatible with 1-lamp, 2-lamp, 3-lamp and 4-lamp fixtures with many ballast types including standard, rapid-start, slimline, instant-start, energy-saving, dimming and electronic AC ballast – consult factory regarding specific applications
- Compatible with many different lamp types – refer to page 55 or contact customer service for more information



Dimensions



* Conditions apply for remote mounting. Check with the factory for more information.

Lamp Compatibility Chart

Fluorescent Emergency Ballasts with AC Output & Time Delay

BALLAST MODEL NO.		No. of Lamps Operated	BAL500ACTD	BAL650C-4ACTD	BAL700ACTD	BAL1400ACTD	BAL3000ACTD	
Lumen Output		1L: One Lamp 2L: One or Two Lamps	500	750	700	1400	3000	
Linear Fluorescent Lamps	T5 (W)	1L	8, 14	21, 28	8, 14	-	-	
		2L	-	8, 14	-	8 - 28	8 - 28	
	T5H0 (W)	1L	-	39	-	54	-	
		2L	-	-	-	39	35 - 54	
	T8 (W)	1L	17 - 40	17 - 40	17 - 40	40 - 215	40 - 215	
		2L	-	-	-	17 - 40	17 - 40	
	T10 (W)	1L	-	17-40	-	-	-	
		2L	-	-	-	17 - 40	17 - 40	
	T12 (W)	1L	17 - 40	17 - 40	17 - 40	40 - 215	40 - 215	
		2L	-	-	-	17 - 40	17 - 40	
Compact Fluorescent Lamps	4-Pin CFL (W)	1L	13 - 39	18 - 42	13 - 39	40 - 42	-	
		2L	-	13	-	13 - 39	13 - 42	
	4-Pin Long CFL (W)	1L	18 - 40	24 - 40	18 - 40	40 - 50	55	
		2L	-	18	-	18 - 40	18 - 50	
	2-PinCFL (W)	1L	-	-	-	-	-	
Special Fluorescent Lamps	T9 Circline CFL (W)	1L	20 - 40	20 - 40	20 - 40	-	-	
		2L	-	-	-	20 - 40	20 - 40	
	U-Bend (W)	T8	1L	32, 40	32, 40	32, 40	-	-
		2L	-	-	-	32, 40	32, 40	
	T12	1L	34, 40	34, 40	34, 40	-	-	
		2L	-	-	-	34, 40	34, 40	

* Contact customer service for other lamp applications.



Lamp Compatibility Chart : ACTID Fluorescent Emergency Ballasts

Low-Profile T5 Fluorescent Emergency Ballast (with AC Output & Time Delay)

- Works in conjunction with an AC ballast to convert new or existing fluorescent fixtures into unobtrusive emergency lighting
- Maintains illumination of one lamp in the emergency mode for a minimum of 90 minutes

Features

- Provides a minimum of 90 minutes of emergency illumination
- AC Output ensures compatibility with newer lamp technologies and helps prolong lamp life
- Time delay enhancement to overcome end-of-life circuit protection
- Selectable lamp leads for optimizing light output for desired lamp type
- Can be installed inside, on top or in remote* of the fixture
- Can be used in both switched and unswitched fixtures
- UL 924 Listed for damp location
- UL listed for Retrofit/Field Installation
- Life safety NFPA 101
- NEC/OSHA
- Meets most state and local codes

Electrical

- Dual Voltage Input 120V/277 VAC, 60Hz
- Solid-state charger circuit
- Test Switch/Power Indicator light
- Temperature Rating (Ambient): 0°C to 50°C [32°F to 122°F]
- Maintenance-free, long life, Sealed Nickel Cadmium Battery
- Maximum battery recharge time: 24 hours
- AC Output in emergency mode

Housing

- Low-profile galvanized steel housing

Illumination

- Operates one lamp in the emergency mode for a minimum of 90 minutes – please refer to page 61 or consult factory for more information
- Provides a maximum initial lumen output of 500 Lumens

Warranty

- All Best Lighting emergency ballasts are warranted for a full five (5) years against defects in material and workmanship (lamps excluded)

ORDERING INFORMATION

Model

BALT5-500ACTD

Model



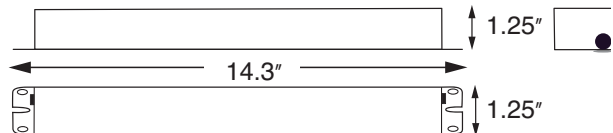
Including
Low-Voltage
LED Combo Switch

Lamp Compatibility

- Compatible with 1-lamp, 2-lamp, 3-lamp and 4-lamp fixtures with many ballast types including standard, rapid-start, slimline, instant-start, energy-saving, dimming and electronic AC ballast – consult factory regarding specific applications
- Compatible with many different lamp types – refer to page 59 or contact customer service for more information



Dimensions



* Conditions apply for remote mounting. Check with the factory for more information.

Low-Profile T5 Fluorescent Emergency Ballast (with AC Output & Time Delay)

- Works in conjunction with an AC ballast to convert new or existing fluorescent fixtures into unobtrusive emergency lighting
- Maintains illumination of one lamp in the emergency mode for a minimum of 90 minutes

Features

- Provides a minimum of 90 minutes of emergency illumination
- AC Output ensures compatibility with newer lamp technologies and helps prolong lamp life
- Time delay enhancement to overcome end-of-life circuit protection
- Can be installed inside, on top or in remote* of the fixture
- Can be used in both switched and unswitched fixtures
- UL 924 Listed for damp location
- UL listed for Retrofit/Field Installation
- Life safety NFPA 101
- NEC/OSHA
- Meets most state and local codes

Electrical

- Dual Voltage Input 120V/277 VAC, 60Hz
- Solid-state charger circuit
- Test Switch/Power Indicator light
- Temperature Rating (Ambient): 0°C to 50°C [32°F to 122°F]
- Maintenance-free, long life, Sealed Nickel Cadmium Battery
- Maximum battery recharge time: 24 hours
- AC Output in emergency mode

Housing

- Low-profile galvanized steel housing

Illumination

- Operates one lamp in the emergency mode for a minimum of 90 minutes – please refer to page 61 or consult factory for more information
- Provides a maximum initial lumen output of 800 Lumens

Warranty

- All Best Lighting emergency ballasts are warranted for a full five (5) years against defects in material and workmanship (lamps excluded)

ORDERING INFORMATION

Model

BALT5-800ACTD

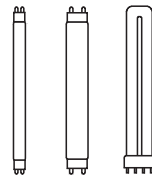
Model



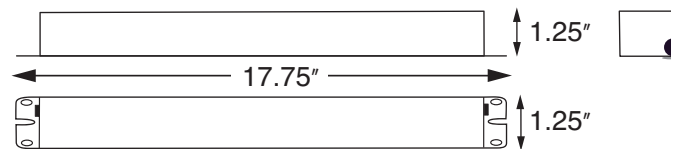
Including
Low-Voltage
LED Combo Switch

Lamp Compatibility

- Compatible with 1-lamp, 2-lamp, 3-lamp and 4-lamp fixtures with many ballast types including standard, rapid-start, slimline, instant-start, energy-saving, dimming and electronic AC ballast – consult factory regarding specific applications
- Compatible with many different lamp types – refer to page 59 or contact customer service for more information



Dimensions



* Conditions apply for remote mounting. Check with the factory for more information.

Low-Profile T5 Fluorescent Emergency Ballast (with AC Output & Time Delay)

- Works in conjunction with an AC ballast to convert new or existing fluorescent fixtures into unobtrusive emergency lighting
- Maintains illumination of one or two lamps in the emergency mode for a minimum of 90 minutes

Features

- Provides a minimum of 90 minutes of emergency illumination
- AC Output ensures compatibility with newer lamp technologies and helps prolong lamp life
- Time delay enhancement to overcome end-of-life circuit protection
- Can be installed inside, on top or in remote* of the fixture
- Can be used in both switched and unswitched fixtures
- UL 924 Listed for damp location
- UL listed for Retrofit/Field Installation
- Life safety NFPA 101
- NEC/OSHA
- Meets most state and local codes

Electrical

- Dual Voltage Input 120V/277 VAC, 60Hz
- Solid-state charger circuit
- Test Switch/Power Indicator light
- Temperature Rating (Ambient): 0°C to 50°C [32°F to 122°F]
- Maintenance-free, long life, Sealed Nickel Cadmium Battery
- Maximum battery recharge time: 24 hours
- AC Output in emergency mode

Housing

- Low-profile galvanized steel housing

Illumination

- Operates one or two lamps in the emergency mode for a minimum of 90 minutes – please refer to page 61 or consult factory for more information
- Provides a maximum initial lumen output of 1300 Lumens

Warranty

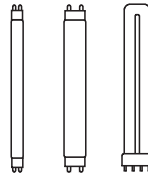
- All Best Lighting emergency ballasts are warranted for a full five (5) years against defects in material and workmanship (lamps excluded)



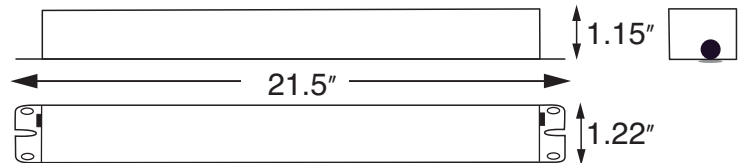
Including Low-Voltage LED Combo Switch

Lamp Compatibility

- Compatible with 1-lamp, 2-lamp, 3-lamp and 4-lamp fixtures with many ballast types including standard, rapid-start, slimline, instant-start, energy-saving, dimming and electronic AC ballast – consult factory regarding specific applications
- Compatible with many different lamp types – refer to page 59 or contact customer service for more information



Dimensions



ORDERING INFORMATION

Model

BALT5-1300ACTD

Model

* Conditions apply for remote mounting. Check with the factory for more information.

Lamp Compatibility Chart

Low-Profile T5 Fluorescent Emergency Ballasts with AC Output & Time Delay

BALLAST MODEL NO.		No. of Lamps Operated	BALT5-500ACTD	BALT5-800ACTD	BALT5-1300ACTD	
Lumen Output		1L: One Lamp 2L: One or Two Lamps	500	800	1300	
Linear Fluorescent Lamps	T5 (W)	1L	14 - 28	14 - 28	14 - 28	
		2L	8	8	8	
	T5HO (W)	1L	-	-	39, 54	
		2L	-	-	-	
	T8 (W)	1L	17 - 32	17 - 40	17 - 40	
		2L	-	-	-	
	T10 (W)	1L	-	17 - 40	17 - 40	
		2L	-	-	-	
	T12 (W)	1L	20	17 - 40	17 - 40	
		2L	-	-	-	
Compact Fluorescent Lamps	4-Pin CFL (W)	1L	-	13 - 26	26 - 42	
		2L	13 - 26	-	13, 18	
	4-Pin Long CFL (W)	1L	-	18 - 50	36 - 50	
		2L	-	-	18 - 24	
	2-PinCFL (W)	1L	-	-	-	
Special Fluorescent Lamps	T9 Circline CFL (W)	1L	-	20 - 40	20 - 40	
		2L	-	-	-	
	U-Bend (W)	T8	1L	-	-	32, 40
			2L	-	-	-
		T12	1L	-	-	34, 40
			2L	-	-	-

* Contact customer service for other lamp applications.



Lamp Compatibility Chart : T5 Fluorescent Emergency Ballasts (with AC Output & Time Delay)

Low-Profile Fluorescent Emergency Ballast (with AC Output & Time Delay)

- Works in conjunction with an AC ballast to convert new or existing fluorescent fixtures into unobtrusive emergency lighting
- Maintains illumination of one lamp in the emergency mode for a minimum of 90 minutes

Features

- Provides a minimum of 90 minutes of emergency illumination
- AC Output ensures compatibility with newer lamp technologies and helps prolong lamp life
- Time delay enhancement to overcome end-of-life circuit protection
- Selectable lamp leads for optimizing light output for desired lamp type
- Can be installed inside, on top or in remote* of the fixture
- Can be used in both switched and unswitched fixtures
- UL 924 Listed for damp location
- UL listed for Retrofit/Field Installation
- Life safety NFPA 101
- NEC/OSHA
- Meets most state and local codes

Electrical

- Dual Voltage Input 120V/277 VAC, 60Hz
- Solid-state charger circuit
- Test Switch/Power Indicator light
- Temperature Rating (Ambient): 0°C to 50°C [32°F to 122°F]
- Maintenance-free, long life, Sealed Nickel Cadmium Battery
- Maximum battery recharge time: 24 hours
- AC Output in emergency mode

Housing

- Low-profile galvanized steel housing

Illumination

- Operates one lamp in the emergency mode for a minimum of 90 minutes – please refer to page 65 or consult factory for more information
- Provides a maximum initial lumen output of 500 Lumens

Warranty

- All Best Lighting emergency ballasts are warranted for a full five (5) years against defects in material and workmanship (lamps excluded)

ORDERING INFORMATION

Model

BAL500LPACTD

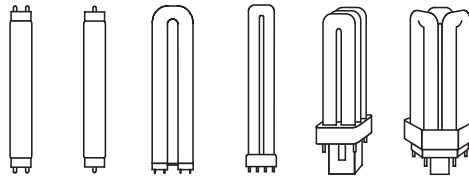
Model



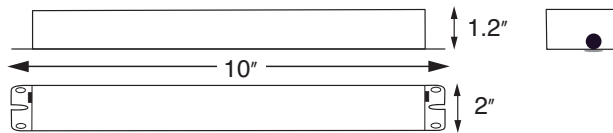
Including Low-Voltage LED Combo Switch

Lamp Compatibility

- Compatible with 1-lamp, 2-lamp, 3-lamp and 4-lamp fixtures with many ballast types including standard, rapid-start, slimline, instant-start, energy-saving, dimming and electronic AC ballast – consult factory regarding specific applications
- Compatible with many different lamp types – refer to page 63 or contact customer service for more information



Dimensions



* Conditions apply for remote mounting. Check with the factory for more information.

BAL700LPACTD

Low-Profile Fluorescent Emergency Ballast (with AC Output & Time Delay)

- Works in conjunction with an AC ballast to convert new or existing fluorescent fixtures into unobtrusive emergency lighting
- Maintains illumination of one lamp in the emergency mode for a minimum of 90 minutes

Features

- Provides a minimum of 90 minutes of emergency illumination
- AC Output ensures compatibility with newer lamp technologies and helps prolong lamp life
- Time delay enhancement to overcome end-of-life circuit protection
- Can be installed inside, on top or in remote* of the fixture
- Can be used in both switched and unswitched fixtures
- UL 924 Listed for damp location
- UL listed for Retrofit/Field Installation
- Life safety NFPA 101
- NEC/OSHA
- Meets most state and local codes

Electrical

- Dual Voltage Input 120V/277 VAC, 60Hz
- Solid-state charger circuit
- Test Switch/Power Indicator light
- Temperature Rating (Ambient): 0°C to 50°C [32°F to 122°F]
- Maintenance-free, long life, Sealed Nickel Cadmium Battery
- Maximum battery recharge time: 24 hours
- AC Output in emergency mode

Housing

- Low-profile galvanized steel housing

Illumination

- Operates one lamp in the emergency mode for a minimum of 90 minutes – please refer to page 65 or consult factory for more information
- Provides a maximum initial lumen output of 700 Lumens

Warranty

- All Best Lighting emergency ballasts are warranted for a full five (5) years against defects in material and workmanship (lamps excluded)

ORDERING INFORMATION

Model

BAL700LPACTD

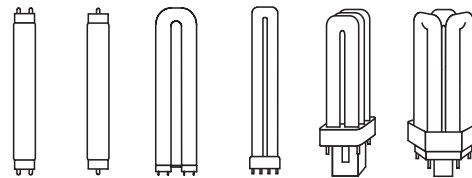
Model



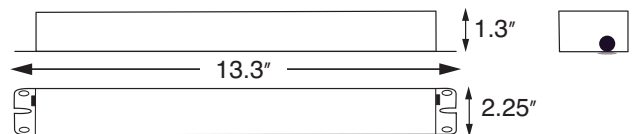
Including
Low-Voltage
LED Combo Switch

Lamp Compatibility

- Compatible with 1-lamp, 2-lamp, 3-lamp and 4-lamp fixtures with many ballast types including standard, rapid-start, slimline, instant-start, energy-saving, dimming and electronic AC ballast – consult factory regarding specific applications
- Compatible with many different lamp types – refer to page 63 or contact customer service for more information



Dimensions



Low-Profile Fluorescent Emergency Ballast (with AC Output & Time Delay)

* Conditions apply for remote mounting. Check with the factory for more information.

BAL1400LPACTD

Low-Profile Fluorescent Emergency Ballast (with AC Output & Time Delay)

- Works in conjunction with an AC ballast to convert new or existing fluorescent fixtures into unobtrusive emergency lighting
- Maintains illumination of one or two lamps in the emergency mode for a minimum of 90 minutes

Features

- Provides a minimum of 90 minutes of emergency illumination
- AC Output ensures compatibility with newer lamp technologies and helps prolong lamp life
- Time delay enhancement to overcome end-of-life circuit protection
- Selectable lamp leads for optimizing light output for desired lamp type
- Can be installed inside, on top or in remote* of the fixture
- Can be used in both switched and unswitched fixtures
- UL 924 Listed for damp location
- UL listed for Retrofit/Field Installation
- Life safety NFPA 101
- NEC/OSHA
- Meets most state and local codes

Electrical

- Dual Voltage Input 120V/277 VAC, 60Hz
- Solid-state charger circuit
- Test Switch/Power Indicator light
- Temperature Rating (Ambient): 0°C to 50°C [32°F to 122°F]
- Maintenance-free, long life, Sealed Nickel Cadmium Battery
- Maximum battery recharge time: 24 hours
- AC Output in emergency mode

Housing

- Low-profile galvanized steel housing

Illumination

- Operates one or two lamps in the emergency mode for a minimum of 90 minutes – please refer to page 65 or consult factory for more information
- Provides a maximum initial lumen output of 1400 Lumens

Warranty

- All Best Lighting emergency ballasts are warranted for a full five (5) years against defects in material and workmanship (lamps excluded)

ORDERING INFORMATION

Model

BAL1400LPACTD

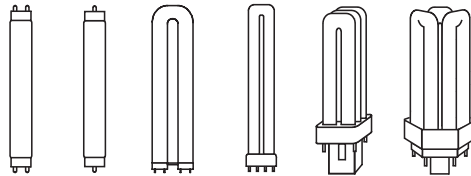
Model



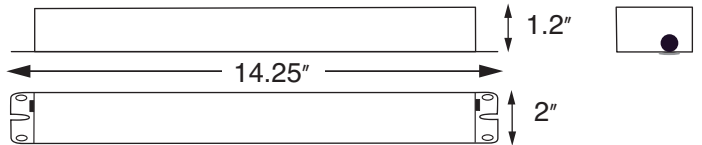
Including Low-Voltage LED Combo Switch

Lamp Compatibility

- Compatible with 1-lamp, 2-lamp, 3-lamp and 4-lamp fixtures with many ballast types including standard, rapid-start, slimline, instant-start, energy-saving, dimming and electronic AC ballast – consult factory regarding specific applications
- Compatible with many different lamp types – refer to page 63 or contact customer service for more information



Dimensions



* Conditions apply for remote mounting. Check with the factory for more information.



LAMP DATA

BALLAST MODEL NO.		No. of Lamps Operated	BAL500LPACTD	BAL700LPACTD	BAL1400LPACTD	
Lumen Output		1L: One Lamp 2L: One or Two Lamps	500	700	1400	
Linear Fluorescent Lamps	T5 (W)	1L	8 - 28	8 - 28	–	
		2L	–	–	8 - 28	
	T5HO (W)	1L	–	39	39, 54	
		2L	–	–	–	
	T8 (W)	1L	17 - 40	17 - 40	–	
		2L	–	–	17 - 40	
	T10 (W)	1L	17 - 40	17 - 40	–	
		2L	–	–	17 - 40	
T12 (W)	1L	17 - 40	17 - 40	34, 40		
	2L	–	–	20		
Compact Fluorescent Lamps	4-Pin CFL (W)	1L	18, 26	13 - 39	40 - 42	
		2L	13	–	13 - 39	
	4-Pin Long CFL (W)	1L	18	18 - 50	–	
		2L	–	–	18 - 40	
	2-PinCFL (W)	1L	–	–	–	
Special Fluorescent Lamps	T9 Circline CFL (W)	1L	20 - 40	20 - 40	–	
		2L	–	–	20 - 40	
	U-Bend (W)	T8	1L	–	32, 40	32, 40
			2L	–	–	–
		T12	1L	34, 40	34, 40	34, 40
			2L	–	–	–

* Contact customer service for other lamp applications.





Home Office & Central Distribution

1213 Etna Parkway
Pataskala, Ohio USA
740-964-1198

Philadelphia Sales Office

1210 Northbrook Drive, Suite 135
Trevose, Pennsylvania USA
215-244-4495

West Coast Operations & Distribution

6865 Speedway Blvd, Suite Q108
Las Vegas, Nevada USA
702-644-2070