

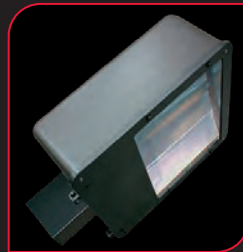


TRACE LITE

commercial & industrial lighting



2011



it's *service first* at
BARRON
lighting group

Service is more than just delivering a product. It starts with an attitude of serving and works its way into all aspects of your business. From the design of a product to filling orders accurately and quickly to following up on a call, our main focus is to *deliver you more* with...



- 10 nationwide warehouse locations
- Got an emergency, we can expedite any order
- Customized products that are designed to fit your specifications
- Efficient, on time orders with a 98.9% fill rate average
- Fast, efficient deliveries with real time tracking status
- Personalized service and direct access to our team of employees
- Offering both spec and commercial grade products to meet your customers' needs

delivering more by design

EXITRONIX
emergency lighting

TRACE  **LITE**
commercial & industrial lighting

specialtyLED
commercial & decorative lighting

Table of Contents

Induction Lighting 3

Wall Packs

TL116-IND European Style Polycarbonate.....	4
TL119-IND Semi-cutoff Die-cast Aluminum.....	5
TL119EX-IND Large Semi Cutoff Die-cast Aluminum.....	6
TL135-IND Round Bulkhead.....	7

Area Lighting

TL301-IND 16" Die-cast Aluminum.....	8
TL302-IND 12" Die-cast Aluminum.....	9
TL303-IND 23" Die-cast Aluminum.....	10
TL306-IND Adjustable, Wall or Pole Mount Die-cast Aluminum.....	11
TL306EX-IND Large Adjustable, Wall or Pole Die-cast Aluminum.....	12

Garage/Canopy Lighting

TL402-IND Large Die-cast Aluminum.....	13
TL406-IND Garage Lighter Die-cast Aluminum.....	14
TL406EX-IND Garage Lighter Die-cast Aluminum.....	15
TL408-IND Garage Lighter Die-cast Aluminum.....	16

High/Low Bay Lighting

TL501-IND 22" Aluminum or Acrylic Reflector High-Bay.....	17
TL507-IND 22" Aluminum or Acrylic Reflector High-Bay.....	18

Roadway Lighting

TL606-IND Cobra Head.....	19
---------------------------	----

HID Lighting 21

Wall Packs

TL101 Mini Polycarbonate.....	22
TL102 Mini Die-cast Aluminum.....	23
TL103 Small Die-cast Aluminum.....	24
TL104 Small Die-Cast Aluminum.....	25
TL105 Decorative Mini Polycarbonate.....	26
TL106 Medium Die-cast Aluminum.....	27
TL106EX Large Die-cast Aluminum.....	28
TL106EXT Large, Deep Die-cast aluminum.....	29
TL110 Architectural Full Cutoff Die-cast Aluminum.....	30
TL110EX Large Architectural Full Cutoff Die-cast Aluminum.....	31
TL110EXT Deep Architectural Full Cutoff Die-cast Aluminum.....	32
TL110A Architectural Full Cutoff Die-cast Aluminum.....	33
TL111 Architectural Full Cutoff Die-cast Aluminum.....	34
TL111A Architectural Full Cutoff Die-cast Aluminum.....	35
TL112 Architectural Full Cutoff Die-cast Aluminum.....	36
TL117 Large, Slim Die-cast Aluminum Die-cast Aluminum.....	37
TL118 Die-cast Aluminum.....	38
TL119 Semi-cutoff Die-cast Aluminum.....	39
TL119EX Large Semi Cutoff Die-cast Aluminum.....	40
TL120 Architectural Full Cutoff Die-cast Aluminum.....	41
TL121 Architectural Full Cutoff Die-cast Aluminum.....	42

Flood Lighting

TL201 Small Die-cast Aluminum.....	43
TL202 Medium Die-cast Aluminum.....	44
TL203 Low Profile Die-cast Aluminum.....	45
TL204 Large Die-cast Aluminum.....	46
TL205 Sportslighter Die-cast Aluminum.....	47
TL206 Architectural Round Back Die-cast Aluminum.....	48

Area Lighting

TL301 16" Die-cast Aluminum.....	49
TL302 12" Die-cast Aluminum.....	50
TL303 23" Die-cast Aluminum.....	51
TL306 Adjustable, Wall or Pole Mount Die-cast Aluminum.....	52
TL306EX Large Adjustable, Wall or Pole, Die-cast Aluminum.....	53

Garage/Canopy Lighting

TL401 Small Die-cast Aluminum.....	54
TL402 Large Die-cast Aluminum.....	55
TL406 Garage Lighter Die-cast Aluminum.....	56
TL407 Garage Lighter Die-cast Aluminum.....	57
TL408 Garage Lighter Die-cast Aluminum.....	58

High/Low Bay Lighting

TL501 16" or 22" Aluminum Reflector High Bay.....	59
TL502 16" or 22" Acrylic Reflector High Bay.....	60
TL504 16" or 22" Aluminum Reflector Low Bay.....	61
TL505 16" or 22" Acrylic Reflector Low Bay.....	62
TL506 Temporary Work Light.....	63
TL507 22" Aluminum Reflector High Bay.....	64

RoadWay Lighting

TL603 Die-Cast Aluminum.....	65
TL604 Die-Cast Aluminum.....	66

Security Lighting

TL610 Motion Activated Security Lighting.....	67
---	----

Bollards

TL701 43" Dome Top Type 3 & 5 Aluminum Refractors.....	68
TL702 43" Dome Top Internal Reflector/Louvres.....	69
TL704 43" Flat Top Internal Reflector/Louvres.....	70

Vaporproof Lighting

TL801 Incandescent Security Lighting.....	71
TL803 HID Security Lighting.....	72

Fluorescent Lighting 75

Wall Packs

TL101-CF Mini Polycarbonate.....	76
TL102-CF Mini Die-cast Aluminum.....	77
TL103-CF Small Die-cast Aluminum.....	78
TL104-CF Small Die-Cast Aluminum.....	79
TL105-CF Decorative Mini Polycarbonate.....	80
TL106-CF Medium Die-cast Aluminum.....	81
TL106EX-CF Large Die-cast Aluminum.....	82
TL110-CF Architectural Full Cutoff Die-cast Aluminum.....	83
TL110EX-CF Large Architectural Full Cutoff Die-cast Aluminum.....	84
TL110A-CF Architectural Full Cutoff Die-cast Aluminum.....	85
TL111-CF Architectural Full Cutoff Die-cast Aluminum.....	86
TL111A-CF Architectural Full Cutoff Die-cast Aluminum.....	87
TL112-CF Architectural Full Cutoff Die-cast Aluminum.....	88
TL116-CF European Style.....	89
TL118-CF Die-cast Aluminum.....	90
TL119-CF Semi Cutoff Die-cast Aluminum.....	91
TL120-CF Architectural Full Cutoff Die-cast Aluminum.....	92
TL121-CF Architectural Full Cutoff Die-cast Aluminum.....	93

Flood Lighting

TL201-CF Small Die-cast Aluminum.....	94
TL202-CF Medium Die-cast Aluminum.....	95
TL206-CF Architectural Round Back Die-cast Aluminum.....	96

Area Lighting

TL306-CF Adjustable Die-Cast Aluminum.....	97
--	----

Garage/Canopy Lighting

TL401-CF Small Die-cast Aluminum.....	98
TL402-CF Large Die-cast Aluminum.....	99
TL406-CF Garage Lighter Die-cast Aluminum.....	100
TL407-CF Garage Lighter Die-cast Aluminum.....	101
TL408-CF Garage Lighter Die-cast Aluminum.....	102

High/Low Bay Lighting

TL508-CF Fluorescent High Bay.....	103
------------------------------------	-----

Bollards

TL701-CF 43" Dome Top Type 3 & 5 Aluminum Refractors.....	104
TL702-CF 43" Dome Top Internal Reflector/Louvres.....	105
TL704-CF 43" Flat Top Internal Reflector/Louvres.....	106

Vaporproof Lighting

TL802-CF Security Lighting.....	107
---------------------------------	-----



*when you Buy American
think Barron Lighting*



***Made in America** is something you can count on with us.*

Our U.S. based manufacturing plant in Phoenix, Arizona is capable of meeting all your project needs. Over 95% of our product offering can be manufactured to meet ARRA compliant requirements. See your sales representative for Trace-lite's Made in America products and ordering details.



TRACE  **LITE**

delivering more by design

Environmentally Friendly
Energy Efficient

INDUCTION

l i g h t i n g

Wall Packs
Area Lighting
Garage/Canopy Lighting
High/Low Bay Lighting
Roadway Lighting





TL116-IND EUROPEAN STYLE WALL PACK

See Page: 89 for CF

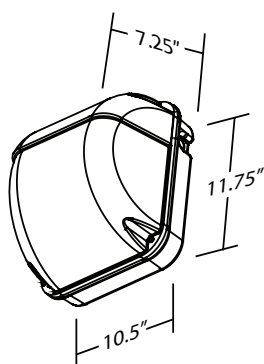


FEATURES

- Die-cast aluminum housing with an architectural bronze powder coated finish
- Color matched polycarbonate front housing
- Fully sealed and gasketed, wet location listed
- Enclosure and hardware are corrosion resistant
- Features an internal, anodized aluminum reflector
- Lamp is protected by an impact-resistant, prismatic, polycarbonate refractor
- 40W round induction lamp that provides 2800 initial lumens
- Lamp has a 5000K color temperature
- Hinged design for easy access to internal components
- Minimum operating temperature of -25°C (-13°F), maximum operating temperature of 50°C (122°F)
- Lamp and ballast are listed and certified by CE, FCC, UL, ISO and meet electromagnetic compatibility (EMC) standard



DIMENSIONS



Approximate Weight: 10 lbs.

Specifications are subject to change without notice

ORDERING INFORMATION

TL116	IND	40	120	SZ120	PC1
SERIES	LAMP	WATTS	VOLTS	OPTIONS (Factory Installed)	ACCESSORIES ² (Field Installed)
TL116	IND = Induction	40 = 40W	120 = 120V 277 = 277V		PC1 = 120V Photocontrol PC2 = 277V Photocontrol
<p>SZXXX¹ = Single Line Side Fuse (Specify 120 or 277V) USA = Meets Buy America Requirements</p>					

¹ Specify 120 or 277V

² Order as Separate Line Item

TL119-IND SEMI-CUTOFF WALL PACK



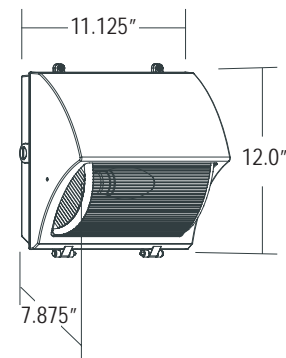
See Page: 39 for HID
91 for CF

FEATURES

- Die-cast aluminum housing with an architectural bronze powder coated finish
- Fully sealed and gasketed, wet location listed
- Enclosure and hardware are corrosion resistant
- Features an internal, anodized aluminum reflector
- Lamp is protected by an vandal-resistant, borosilicate glass prismatic refractor
- 40W rectangular induction lamp that provides 2800 initial lumens
- Lamp has a 5000K color temperature
- Hinged design for easy access to internal components
- Can be wired to a 4" junction box or surface mounted using 1/2" NPT conduit entry points
- Minimum operating temperature of -25°C (-13°F), maximum operating temperature of 50°C (122°F)
- Lamp and ballast are listed and certified by CE, FCC, UL, ISO and meet electromagnetic compatibility (EMC) standard



DIMENSIONS



Approximate Weight: 15 lbs.

Specifications are subject to change without notice

ORDERING INFORMATION

TL119	IND	40	120	SZ120	WG119
SERIES	LAMP	WATTS	VOLTS	OPTIONS (Factory Installed)	ACCESSORIES ² (Field Installed)
TL119	IND = Induction	40 = 40W	120 = 120V 277 = 277V		PC1 = 120V Photocontrol PC2 = 277V Photocontrol WG119 = Wire Guard RL119 = Replacement Lens
				SZXXX ¹ = Single Line Side Fuse (Specify 120 or 277V) USA = Meets Buy America Requirements	

¹ Specify 120 or 277V

² Order as Separate Line Item



TL119EX-IND LARGE SEMI-CUTOFF WALL PACK

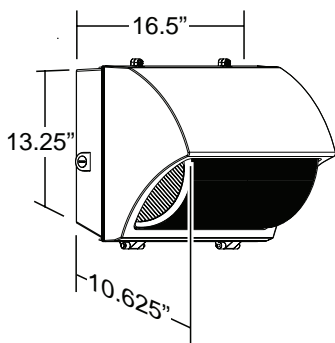
See Page: 40 for HID

FEATURES

- Die-cast aluminum housing with an architectural bronze powder coated finish
- Fully sealed and gasketed, wet location listed
- Enclosure and hardware are corrosion resistant.
- Features an internal, anodized aluminum reflector
- Lamp is protected by a vandal-resistant, borosilicate glass prismatic refractor
- Available with either (1) 80W or (1) 100W rectangular induction lamp that provides 6400 or 8000 initial lumens per lamp
- Lamp has a 5000K color temperature
- Hinged design for easy access to internal components
- Can be wired to a 4" junction box or surface mounted using 1/2" NPT conduit entry points
- Minimum operating temperature of -25°C (-13°F), maximum operating temperature of 50°C (122°F)
- Lamp and ballast are listed and certified by CE, FCC, UL, ISO and meet electromagnetic compatibility (EMC) standard



DIMENSIONS



Approximate Weight: 21 lbs.

Specifications are subject to change without notice

ORDERING INFORMATION

TL119EX	IND	80	120	SZ120	WG119EX
SERIES	LAMP	WATTS	VOLTS	OPTIONS (Factory Installed)	ACCESSORIES ² (Field Installed)
TL119EX	IND = Induction	80 = 80W 100 = 100W	120 = 120V 277 = 277V		PC1 = 120V Photocontrol PC2 = 277V Photocontrol WG119EX = Wire Guard
SZXXX ⁵ = Single Line Side Fuse (Specify 120 or 277V) USA = Meets Buy America Requirements					

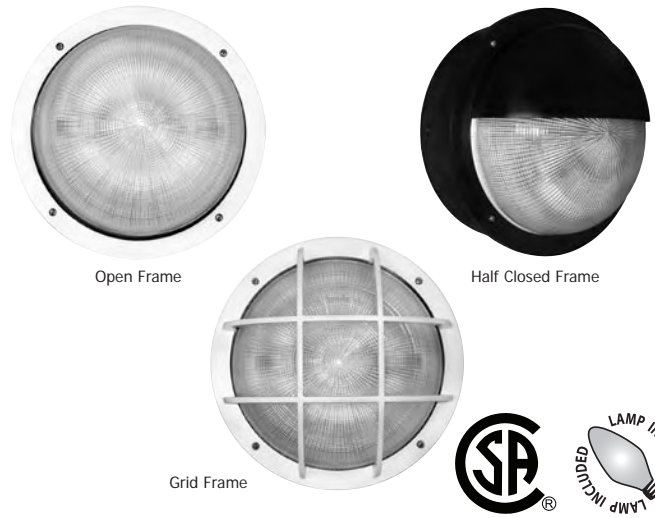
¹ Specify 120 or 277V
² Order as Separate Line Item

TL135-IND ROUND BULKHEAD WALL PACK

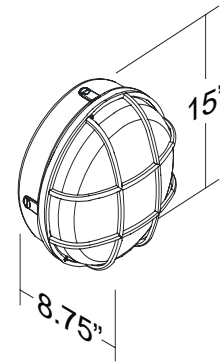


FEATURES

- Die-cast aluminum housing with an architectural bronze powder coated finish
- Fully sealed and gasketed, wet location listed
- Enclosure and hardware are corrosion resistant
- Internal, white powder coated steel reflector
- Lamp is protected by an vandal-resistant, borosilicate glass prismatic refractor
- Available with either (1) 40W or (1) 80W round induction lamp that provides 2800 or 6400 initial lumens per lamp
- Lamps have a 5000K color temperature
- Hinged design for easy access to internal components
- Can be wired to a 4" junction box or surface mounted using 1/2" NPT conduit entry points
- Minimum operating temperature of -25°C (-13°F), maximum operating temperature of 50°C (122°F)
- Lamp and ballast are listed and certified by CE, FCC, UL, ISO and meet electromagnetic compatibility (EMC) standard



DIMENSIONS



Approximate Weight: 19 lbs.

Specifications are subject to change without notice

ORDERING INFORMATION

TL135	IND	80	120	OF	SZ120	PC1
SERIES	LAMP	WATTS	VOLTS	STYLE	OPTIONS (Factory Installed)	ACCESSORIES ⁶ (Field Installed)
TL135	IND = Induction	40 ¹ = 40W 80 ² = 80W	120 = 120V 277 = 277V	OF ³ = Open Front Frame HC ⁴ = Half Closed Front Frame GR ³ = Grid Front Frame	SZXXX ⁵ = Single Line Side Fuse (Specify 120 or 277V) USA = Meets Buy America Requirements	PC1 = 120V Photocontrol PC2 = 277V Photocontrol

¹ HC Only
² OF and GR Only
³ 80W Only
⁴ 40W Only
⁵ Specify 120 or 277V
⁶ Order as Separate Line Item

TL302-IND 12" DIE-CAST ALUMINUM AREA LIGHT



See Page: 50 for HID

FEATURES

- Durable, corrosion-resistant, die-cast aluminum enclosure with architectural bronze powder coated finish
- Fully sealed and gasketed, wet location listed
- Corrosion-resistant hardware
- Features an internal, anodized aluminum reflector which provides ideal 7H x 7V general light distribution
- Lamp is protected by a high-impact, heat-resistant tempered glass lens
- 40W rectangular induction lamp that provides 2800 initial lumens
- Lamp has a 5000K color temperature
- Comes complete with 6" pole mount bracket
- Hinged for easy install and relamp
- Minimum operating temperature of -25°C (-13°F), maximum operating temperature of 50°C (122°F)
- Lamp and ballast are listed and certified by CE, FCC, UL, ISO and meet electromagnetic compatibility (EMC) standard

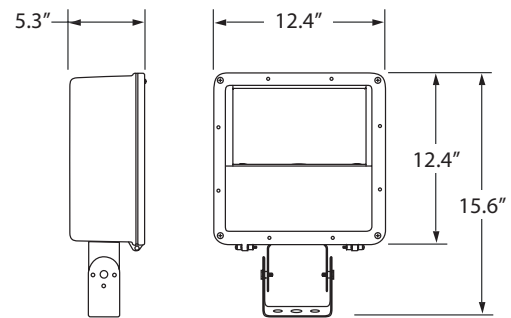


Shown with optional Slipfitter Bracket (SF)

DARKSKY
COMPLIANT
WHEN MOUNTED HORIZONTALLY



DIMENSIONS



Shown with optional Swivel Bracket (SW)

Approximate Weight: 20 lbs.
EPA: .55

Specifications are subject to change without notice

ORDERING INFORMATION

TL302	IND	40	120	MOUNTING ARMS Blank = EXM6SS (Included)	SF	GS12																	
SERIES	LAMP	WATTS	VOLTS		OPTIONS (Factory Installed)	ACCESSORIES² (Field Installed)																	
TL302	IND = Induction	40 = 40W	120 = 120V 277 = 277V			PC1 = 120V Photocontrol PC2 = 277V Photocontrol WG12 = Wireguard PG12 = Polycarbonate Guard GS12 = Glare Shield (Can be reverse mounted) SF = Slip Fitter Mount SW = Swivel Bracket HDPM = Heavy Duty Direct Pole Mount																	
				<table border="1"> <thead> <tr> <th rowspan="2">Length (inches)</th> <th colspan="2">Straight</th> <th colspan="2">15° Up Angle</th> </tr> <tr> <th>Square</th> <th>Round</th> <th>Square</th> <th>Round</th> </tr> </thead> <tbody> <tr> <td>EXM6XX</td> <td rowspan="4">SS</td> <td rowspan="4">SR</td> <td rowspan="4">AS</td> <td rowspan="4">AR</td> </tr> <tr> <td>EXM10XX</td> </tr> <tr> <td>EXM12XX</td> </tr> <tr> <td>EXM18XX</td> </tr> </tbody> </table>	Length (inches)	Straight		15° Up Angle		Square	Round	Square	Round	EXM6XX	SS	SR	AS	AR	EXM10XX	EXM12XX	EXM18XX		
Length (inches)	Straight		15° Up Angle																				
	Square	Round	Square	Round																			
EXM6XX	SS	SR	AS	AR																			
EXM10XX																							
EXM12XX																							
EXM18XX																							


SZXXX¹ = Single Line Side Fuse (Specify 120 or 277V)
 SF = Slip Fitter Mount (Replaces Standard EXM6SS)
 SW = Swivel Bracket (Replaces Standard EXM6SS)
 USA = Meets Buy America Requirements

¹ Specify 120 or 277V
² Order as Separate Line Item



TL303-IND 23" DIE-CAST ALUMINUM AREA LIGHT

See Page: 51 for HID



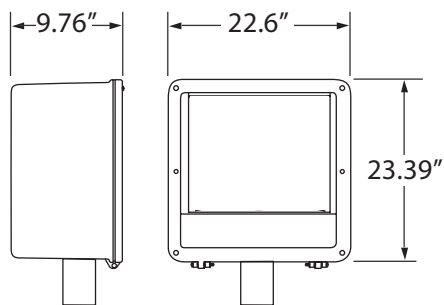
FEATURES

- Durable, corrosion-resistant, die-cast aluminum enclosure with architectural bronze powder coated finish
- Fully sealed and gasketed, wet location listed
- Corrosion-resistant hardware
- Internal, anodized wide angle aluminum reflector provides ideal light distribution for any application
- Lamp is protected by a high-impact, heat-resistant tempered glass lens
- Available with (1) 150W (12000 initial lumens), (1) 200W (18000 initial lumens) or (2) 150W (24000 initial lumens) induction lamps
- Lamps have a 5000K color temperature
- Comes complete with 6" pole mount bracket
- Hinged for easy install and relamp
- Minimum operating temperature of -25°C (-13°F), maximum operating temperature of 50°C (122°F)
- Lamp and ballast are listed and certified by CE, FCC, UL, ISO and meet electromagnetic compatibility (EMC) standard



DARKSKY
COMPLIANT
WHEN MOUNTED HORIZONTALLY

DIMENSIONS



Approximate Weight: 40 lbs.
EPA: 1.65

Specifications are subject to change without notice

ORDERING INFORMATION

TL303	IND	150	120	MOUNTING ARMS BLANK = EXM6SS (Std.)		SZ120	WG23																																			
SERIES	LAMP	WATTS	VOLTS			OPTIONS (Factory Installed)	ACCESSORIES ² (Field Installed)																																			
TL303	IND = Induction	150 = 150W 200 = 200W 300 = 150Wx2	120 = 120V 277 = 277V	<table border="1"> <thead> <tr> <th rowspan="2">Length (inches)</th> <th colspan="2">Straight</th> <th colspan="2">15° Up Angle</th> </tr> <tr> <th>Square</th> <th>Round</th> <th>Square</th> <th>Round</th> </tr> </thead> <tbody> <tr> <td>EXM6XX</td> <td>SS</td> <td>SR</td> <td>AS</td> <td>AR</td> </tr> </tbody> </table>		Length (inches)	Straight		15° Up Angle		Square	Round	Square	Round	EXM6XX	SS	SR	AS	AR		<table border="1"> <tbody> <tr> <td>PC1</td> <td>= 120V Photocontrol</td> </tr> <tr> <td>PC2</td> <td>= 277V Photocontrol</td> </tr> <tr> <td>WG23</td> <td>= Wireguard</td> </tr> <tr> <td>PG23</td> <td>= Polycarbonate Guard</td> </tr> <tr> <td>GS23</td> <td>= Glare Shield (Can be reverse mounted)</td> </tr> <tr> <td>BF23</td> <td>= Baffle</td> </tr> <tr> <td>SFC</td> <td>= Safety Cable</td> </tr> <tr> <td>SW303</td> <td>= Swivel Bracket</td> </tr> <tr> <td>SF303</td> <td>= Slip Fitter Mount</td> </tr> <tr> <td>HDPM</td> <td>= Heavy Duty Direct Pole Mnt.</td> </tr> </tbody> </table>		PC1	= 120V Photocontrol	PC2	= 277V Photocontrol	WG23	= Wireguard	PG23	= Polycarbonate Guard	GS23	= Glare Shield (Can be reverse mounted)	BF23	= Baffle	SFC	= Safety Cable	SW303	= Swivel Bracket	SF303	= Slip Fitter Mount	HDPM	= Heavy Duty Direct Pole Mnt.
Length (inches)	Straight		15° Up Angle																																							
	Square	Round	Square	Round																																						
EXM6XX	SS	SR	AS	AR																																						
PC1	= 120V Photocontrol																																									
PC2	= 277V Photocontrol																																									
WG23	= Wireguard																																									
PG23	= Polycarbonate Guard																																									
GS23	= Glare Shield (Can be reverse mounted)																																									
BF23	= Baffle																																									
SFC	= Safety Cable																																									
SW303	= Swivel Bracket																																									
SF303	= Slip Fitter Mount																																									
HDPM	= Heavy Duty Direct Pole Mnt.																																									
				<p>SZXXX¹ = Single Line Side Fuse (Specify 120 or 277V) SF = Slip Fitter Mount (Replaces Standard EXM6SS) SW = Swivel Bracket (Replaces Standard EXM6SS) USA = Meets Buy America Requirements</p>																																						

¹ Specify 120 or 277V
² Order as Separate Line Item

TL306-IND ADJUSTABLE, WALL/POLE MOUNT AREA LIGHT



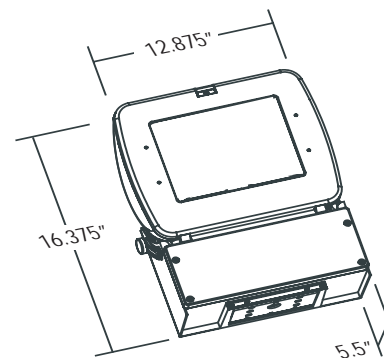
See Page: 52 for HID

FEATURES

- Durable, corrosion-resistant, die-cast aluminum enclosure with architectural bronze powder coated finish
- Fully sealed and gasketed, wet location listed
- Corrosion-resistant hardware
- Features a choice of two internal, anodized aluminum reflectors
- Lamp is protected by a high-impact, heat-resistant tempered glass lens
- Housing swivels from 0° to 30° with angle indicator for easy adjustments
- 40W rectangular induction lamp provides 2800 initial lumens per lamp
- Lamp has a 5000K color temperature
- Pole mounting brackets are optional, and available in 1, 2, 3 and 4 fixture configurations
- Decorative covers are also available for pole brackets
- Minimum operating temperature of -25°C (-13°F), maximum operating temperature of 50°C (122°F)
- Lamp and ballast are listed and certified by CE, FCC, UL, ISO and meet electromagnetic compatibility (EMC) standard



DIMENSIONS



Approximate Weight: 25 lbs.
EPA: .81

Specifications are subject to change without notice

ORDERING INFORMATION

TL306	IND	40	120	F	SZ120	PB2-306, PBC2-306
SERIES	LAMP	WATTS	VOLTS	REFLECTORS	OPTIONS (Factory Installed)	ACCESSORIES ² (Field Installed)
TL306	IND = Induction	40 = 40W	120 = 120V 277 = 277V	BLANK = Standard (Included) F = Flood Reflector	SZXXX ¹ = Single Line Side Fuse (Specify 120 or 277V) USA = Meets Buy America Requirements	PC1 = 120V Photocontrol PC2 = 277V Photocontrol PB1-306 = Pole Bracket (1) Fixture, Square Pole PB2-306 = Pole Bracket (2) Fixtures at 180°, Square Pole PBC2-306 = Pole Bracket Cover For Use With PB2-306 PB3-306 = Pole Bracket (3) Fixtures at 120°, Square Pole PBC3-306 = Pole Bracket Cover For Use With PB3-306 PB4-306 = Pole Bracket (4) Fixtures at 90°, Square Pole PBC4-306 = Pole Bracket Cover For Use With PB4-306 PBCAP-306 = Pole Bracket Cap For Use With PB Bracket w/o Covers

¹ Specify 120 or 277V
² Order as Separate Line Item



TL306EX-IND LARGE ADJUSTABLE AREA LIGHT

See Page: 53 for HID



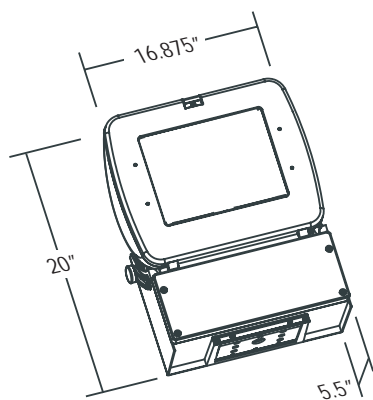
FEATURES

- Durable, corrosion-resistant, die-cast aluminum enclosure with architectural bronze powder coated finish
- Fully sealed and gasketed, wet location listed
- Corrosion-resistant hardware
- Features an internal, anodized aluminum reflector
- Lamp is protected by a high-impact, heat-resistant tempered glass lens
- Housing swivels from 0° to 30° with angle indicator for easy adjustments
- 80W rectangular induction lamp provides 6400 initial lumens per lamp
- Lamp has a 5000K color temperature
- Wall mounting bracket included standard
- Pole mounting brackets are optional, and available in 1, 2, 3 and 4 fixture configurations
- Decorative covers are also available for pole brackets
- Minimum operating temperature of -25°C (-13°F), maximum operating temperature of 50°C (122°F)
- Lamp and ballast are listed and certified by CE, FCC, UL, ISO and meet electromagnetic compatibility (EMC) standard



DARKSKY
COMPLIANT
WHEN MOUNTED HORIZONTALLY

DIMENSIONS



Approximate Weight: 25 lbs.
EPA: 1.03

Specifications are subject to change without notice

ORDERING INFORMATION

TL306EX	IND	80	120	SZ120	PB2-306EX, PBC2-306EX
SERIES	LAMP	WATTS	VOLTS	OPTIONS (Factory Installed)	ACCESSORIES ² (Field Installed)
TL306EX	IND = Induction	80 = 80W	120 = 120V 277 = 277V		PC1 = 120V Photocontrol PC2 = 277V Photocontrol PB1-306EX = Pole Bracket (1) Fixture, Square Pole PB2-306EX = Pole Bracket (2) Fixtures at 180°, Square Pole PBC2-306EX = Pole Bracket Cover For Use With PB2-306 PB3-306EX = Pole Bracket (3) Fixtures at 120°, Square Pole PBC3-306EX = Pole Bracket Cover For Use With PB3-306 PB4-306EX = Pole Bracket (4) Fixtures at 90°, Square Pole PBC4-306EX = Pole Bracket Cover For Use With PB4-306 PBCAP-306EX = Pole Bracket Cap For Use With PB Bracket w/o Covers
SZXXX ¹ = Single Line Side Fuse (Specify 120 or 277V) USA = Meets Buy America Requirements					

¹ Specify 120 or 277V

² Order as Separate Line Item

TL402-IND LARGE SQUARE GARAGE/CANOPY LIGHT



See Page: 55 for HID
99 for CF

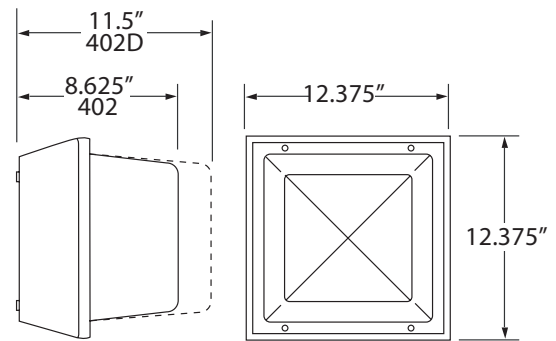


INDUCTION

FEATURES

- Durable, corrosion-resistant, die-cast aluminum enclosure with architectural bronze powder coated finish
- Fully sealed and gasketed, wet location listed
- Corrosion-resistant hardware
- Internal, white steel reflector
- Lamp is protected by a vandal-resistant, UV stabilized polycarbonate prismatic refractor
- Available with (1) 40W or (1) 80W rectangular induction lamp that provides 2800 or 6400 initial lumens per lamps respectively
- Lamps have a 5000K color temperature
- Minimum operating temperature of -25°C (-13°F), maximum operating temperature of 50°C (122°F)
- Lamp and ballast are listed and certified by CE, FCC, UL, ISO and meet electromagnetic compatibility (EMC) standard

DIMENSIONS



Approximate Weight: 18 lbs.

Specifications are subject to change without notice

ORDERING INFORMATION

TL402	IND	40	120	SZ120	PC1
SERIES	LAMP	WATTS	VOLTS	OPTIONS (Factory Installed)	ACCESSORIES³ (Field Installed)
TL402 (40W) TL402D (80W)	IND = Induction	40 = 40W 80 = 80W	120 = 120V 277 = 277V	SZXXX ² = Single Line Side Fuse (Specify 120 or 277V) USA = Meets Buy America Requirements	PC1 = 120V Photocontrol PC2 = 277V Photocontrol RL402 = Replacement Lens RL402D = Deep repl. Lens QMPA = Quick Mount Pendant Adapter SWPR = Swivel Pendant Mount (Round) SWPS = Swivel Pendant Mount (Square)

¹ Use with TL402D Only
² Specify 120 or 277V
³ Order as Separate Line Item



TL406-IND GARAGE LIGHTER GARAGE/CANOPY LIGHT

See Page: 56 for HID
100 for CF

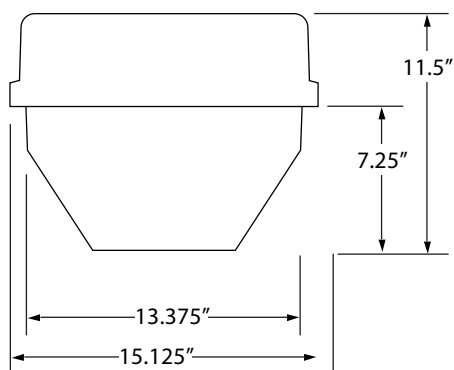


FEATURES

- Durable, corrosion-resistant, die-cast aluminum enclosure with architectural bronze powder coated finish
- Fully sealed and gasketed, wet location listed
- Corrosion-resistant hardware
- Internal, white steel reflector
- Lamp is protected by an vandal-resistant, polycarbonate prismatic refractor
- Available with (1) 80W round induction lamp that provides 6400 initial lumens per lamps respectively
- Lamps have a 5000K color temperature
- Minimum operating temperature of -25°C (-13°F), maximum operating temperature of 50°C (122°F)
- Lamp and ballast are listed and certified by CE, FCC, UL, ISO and meet electromagnetic compatibility (EMC) standard



DIMENSIONS



Approximate Weight: 15 lbs.

Specifications are subject to change without notice

ORDERING INFORMATION

TL406	IND	80	120	SZ120	RL406
SERIES	LAMP	WATTS	VOLTS	OPTIONS (Factory Installed)	ACCESSORIES ² (Field Installed)
TL406	IND = Induction	80 = 80W	120 = 120V 277 = 277V		PC1 = 120V Photocontrol PC2 = 277V Photocontrol PMJB = Offset Pendant Mount J-Box QMPA = Quick Mount Pendant Adapter SWPR = Swivel Pendant Mount (Round) SWPS = Swivel Pendant Mount (Square) RL406 = Replacement Lens
SZXXX ¹ = Single Line Side Fuse (Specify 120 or 277V) USA = Meets Buy America Requirements					

¹ Specify 120 or 277V
² Order as Separate Line Item

TL406EX-IND GARAGE LIGHTER GARAGE/CANOPY LIGHT

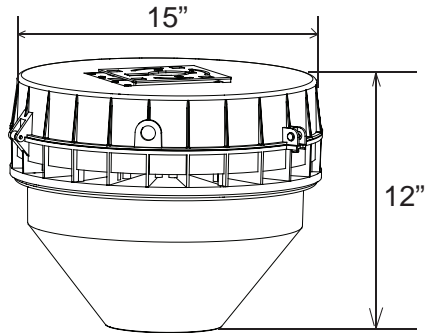


FEATURES

- Durable, corrosion-resistant, die-cast aluminum enclosure, featuring built-in heat sinks and architectural bronze powder coated finish
- Fully sealed and gasketed, wet location listed
- Corrosion-resistant hardware
- Internal, white steel reflector
- Lamp is protected by a vandal-resistant, polycarbonate prismatic refractor
- Available with (1) 100W (8000 initial lumens), 120W (9600 initial lumens) or 150W (12000 initial lumens) round induction lamp
- Lamps have a 5000K color temperature
- Features an easy hang bracket that fits a standard 4" junction box for simple, one person installation
- Minimum operating temperature of -25°C (-13°F), maximum operating temperature of 50°C (122°F)
- Lamp and ballast are listed and certified by CE, FCC, UL, ISO and meet electromagnetic compatibility (EMC) standard



DIMENSIONS



Approximate Weight: 15 lbs.

Specifications are subject to change without notice

ORDERING INFORMATION

TL406	IND	80	120	SZ120	PMJB
SERIES	LAMP	WATTS	VOLTS	OPTIONS (Factory Installed)	ACCESSORIES ² (Field Installed)
TL406	IND = Induction	100 = 100W 120 = 120W 150 = 150W	120 = 120V 277 = 277V	SZXXX ¹ = Single Line Side Fuse (Specify 120 or 277V) USA = Meets Buy America Requirements	PC1 = 120V Photocontrol PC2 = 277V Photocontrol PMJB = Offset Pendant Mount J-Box QMPA = Quick Mount Pendant Adapter SWPR = Swivel Pendant Mount (Round) SWPS = Swivel Pendant Mount (Square) RL406EX = Replacement Lens

¹ Specify 120 or 277V
² Order as Separate Line Item

INDUCTION



TL408-IND GARAGE LIGHTER GARAGE/CANOPY LIGHT

See Page: 58 for HID
102 for CF

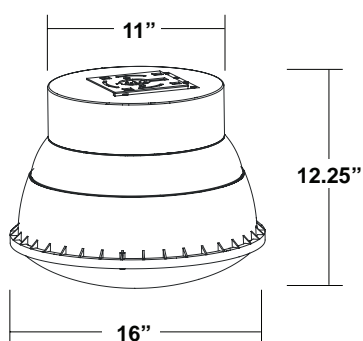


FEATURES

- Durable, corrosion-resistant, die-cast aluminum enclosure with architectural bronze powder coated finish
- Listed for covered ceiling mount and corrosion-resistant hardware
- Two-piece aluminum reflector, the upper reflector can be removed to create an attractive uplight
- Lamp is protected by a UV stabilized, vandal-resistant, polycarbonate prismatic refractor
- Available with (1) 80W round induction lamp that provides 6400 initial lumens
- Lamps have a 5000K color temperature
- Includes a mounting plate for easy, hands-free wiring to any standard 4" junction box
- Minimum operating temperature of -25°C (-13°F), maximum operating temperature of 50°C (122°F)
- Lamp and ballast are listed and certified by CE, FCC, UL, ISO and meet electromagnetic compatibility (EMC) standard



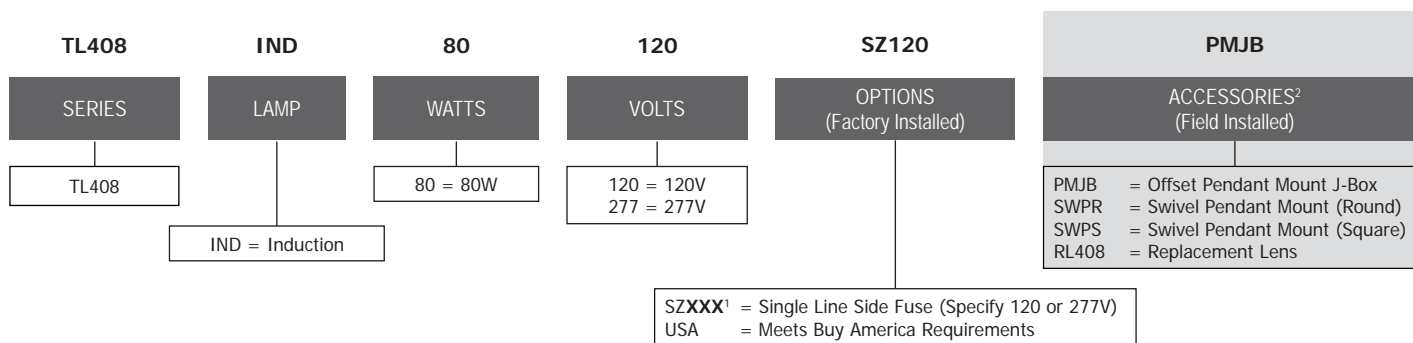
DIMENSIONS



Approximate Weight: 17 lbs.

Specifications are subject to change without notice

ORDERING INFORMATION



¹ Specify 120 or 277V

² Order as Separate Line Item

TL501-IND 22" REFLECTOR HIGH BAY LIGHTING



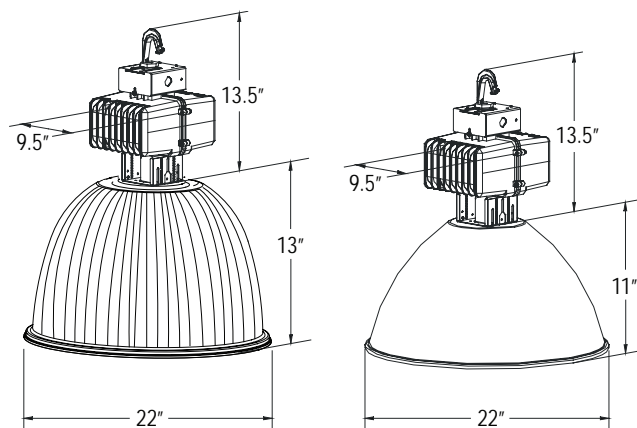
See Page: 59 for HID

FEATURES

- Durable, corrosion-resistant, die-cast aluminum ballast enclosure with white powder coated finish
- Ballast compartment features either external heat-dissipating fins or leaves the ballast core exposed to extend ballast life
- Available with 22" spun anodized aluminum reflector or 22" prismatic acrylic refractor
- Available with (1) 80W round induction lamp that provides 6400 initial lumens
- Lamps have a 5000K color temperature
- Easy-access wiring compartment
- Comes complete with mounting hook
- Optional pendant mount and line cord kits are available
- Minimum operating temperature of -25°C (-13°F), maximum operating temperature of 50°C (122°F)
- Lamp and ballast are listed and certified by CE, FCC, UL, ISO and meet electromagnetic compatibility (EMC) standard



DIMENSIONS



Approximate Weight: 12 lbs

Specifications are subject to change without notice

ORDERING INFORMATION

TL501	22A	IND	80	120	SZ120
SERIES	REFLECTOR	LAMP	WATTS	VOLTS	OPTIONS (Factory Installed)
TL501	22A = 22" Alum. Reflector 22C = 22" Acrylic Refractor	IND = Induction	80 = 80W	120 = 120V 277 = 277V	SZXXX ¹ = Single Line Side Fuse (Specify 120 or 277V) LC3 = 3' Cord LC3120 = 3' Cord w/120V Straight Blade Plug LC3120L = 3' Cord w/120V Twist Plug LC3277L = 3' Cord w/277V Twist Plug USA = Meets Buy America Requirements

¹ Specify 120 or 277V
² For Aluminum Reflectors Only
³ Order as Separate Line Item

LC3120L
ACCESSORIES ³ (Field Installed, Order As Separate Line Item)
SWPS500 = Swivel Pendant Mount (Square Box) SWPR500 = Swivel Pendant Mount (Round Box) ALR50022 = 22" Replacement Aluminum Reflector ACR50022 = 22" Replacement Acrylic Refractor (Requires CO50022) WG50022 = 22" Wire Guard (Requires CB50022) FA50022 = 22" Flat Acrylic Lens w/Gasket (Requires CB50022) FG50022 ² = 22" Flat Glass Lens w/Gasket (Requires CB50022) CB50022 = 22" Tool-Less Clamp Band CO50022 = 22" Collar for Acrylic Refractor LC3 = 3' Cord LC3120 = 3' Cord w/120V Straight Blade Plug LC3120L = 3' Cord w/120V Twist Plug LC3277L = 3' Cord w/277V Twist Plug SFC500 = Safety Cable



TL507-IND 22" REFLECTOR HIGH BAY LIGHTING



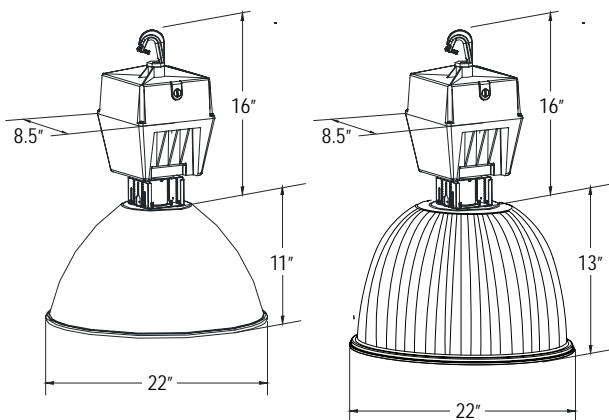
See Page: 64 for HID

FEATURES

- Durable, corrosion-resistant, die-cast aluminum ballast enclosure with white powder coated finish
- Ballast compartment features either external heat-dissipating fins or leaves the ballast core exposed to extend ballast life
- Available with 22" spun anodized aluminum reflector or 22" prismatic acrylic refractor
- Available with (1) 200W round induction lamp that provides 18000 initial lumens
- Lamps have a 5000K color temperature
- Easy-access wiring compartment
- Comes complete with mounting hook
- Optional pendant mount and line cord kits available
- Minimum operating temperature of -25°C (-13°F), maximum operating temperature of 50°C (122°F)
- Lamp and ballast are listed and certified by CE, FCC, UL, ISO and meet electromagnetic compatibility (EMC) standard



DIMENSIONS



Approximate Weight: 25 lbs

Specifications are subject to change without notice

ORDERING INFORMATION

TL507	22C	IND	200	120	SZ120
SERIES	REFLECTOR	LAMP	WATTS	VOLTS	OPTIONS (Factory Installed)
TL507	22A = 22" Alum. Reflector 22C = 22" Acrylic Reflector	IND = Induction	200 = 200W	120 = 120V 277 = 277V	SZXXX ¹ = Single Line Side Fuse (Specify 120 or 277V) LC3 = 3' Cord LC3120 = 3' Cord w/120V Straight Blade Plug LC3120L = 3' Cord w/120V Twist Plug LC3277L = 3' Cord w/277V Twist Plug USA = Meets Buy America Requirements

¹ Specify 120 or 277V

² For Aluminum Reflectors Only

³ Order as Separate Line Item

LC3120L

ACCESSORIES³

(Field Installed, Order As Separate Line Item)

SWPS500	= Swivel Pendant Mount (Square Box)
SWPR500	= Swivel Pendant Mount (Round Box)
ALR50022	= 22" Replacement Aluminum Reflector
ACR50022	= 22" Replacement Acrylic Refractor (Requires CO50022)
WG50022	= 22" Wire Guard (Requires CB50022)
FA50022	= 22" Flat Acrylic Lens w/Gasket (Requires CB50022)
FG50022 ²	= 22" Flat Glass Lens w/Gasket (Requires CB50022)
CB50022	= 22" Tool-Less Clamp Band
CO50022	= 22" Collar for Acrylic Refractor
LC3	= 3' Cord
LC3120	= 3' Cord w/120V Straight Blade Plug
LC3120L	= 3' Cord w/120V Twist Plug
LC3277L	= 3' Cord w/277V Twist Plug
SFC500	= Safety Cable

TL606-IND COBRA HEAD ROADWAY LIGHTING

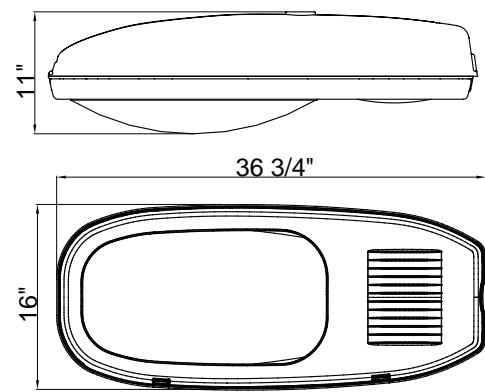


FEATURES

- Durable, corrosion-resistant, die-cast aluminum ballast enclosure with a smooth gray powder coated finish and internal ballast tray
- Specular aluminum reflector and molded sag glass lens
- Hinged front frame includes stainless steel “tool-less” access clips
- Available with either 120W, 150W, or 200W rectangular induction lamp that provides 9600, 12000, or 18000 initial lumens respectively
- Lamps have a 5000K color temperature
- Accepts a 2 3/8” diameter mounting arm
- Minimum operating temperature of -25°C (-13°F), maximum operating temperature of 50°C (122°F)
- Lamp and ballast are listed and certified by CE, FCC, UL, ISO and meet electromagnetic compatibility (EMC) standard



DIMENSIONS



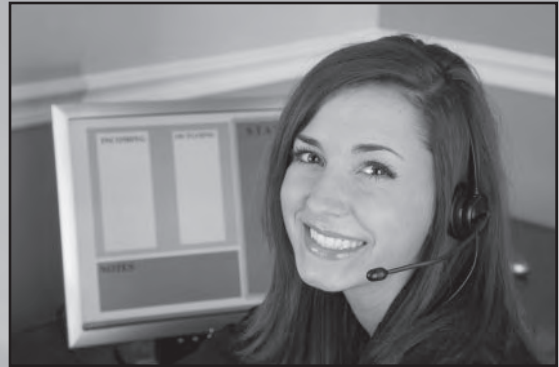
Approximate Weight: 32 lbs
EPA: 2.6

Specifications are subject to change without notice

ORDERING INFORMATION

TL606	IND	150	120	USA
SERIES	LAMP	WATTS	VOLTS	OPTIONS (Factory Installed)
TL606	IND = Induction	120 = 120W 150 = 150W 200 = 200W	120 = 120V 277 = 277V	USA = Meets Buy America Requirements

delivering more by design



Got an order emergency?

We can expedite virtually any order. Our entire team, from our customer service representatives to our production staff, ***we can get it done!***



Take the worry out of shipping!

Fast, efficient deliveries with real time tracking status from any of our 10 nationwide locations means you ***get the product you need, when you need it!***



Wall Packs
Flood Lighting
Area Lighting
Garage/Canopy Lighting

High/Low Bay Lighting
Roadway Lighting
Bollards
Vaperproof
Security Lighting

HID lighting





TL101 MINI POLYCARBONATE WALL PACK

See Page: 76 for CF

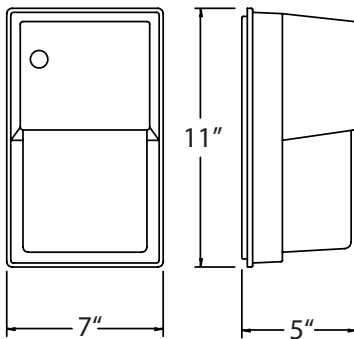


FEATURES

- Durable, vandal-resistant, injection molded polycarbonate enclosure with an architectural bronze finish
- Fully sealed and gasketed, wet location listed
- Enclosure and hardware are corrosion resistant
- Internal, anodized aluminum reflector
- Lamp is protected by a high-impact, UV stabilized polycarbonate prismatic refractor
- High Pressure Sodium lamps from 35 to 70 watts
- 120V photocontrol is included standard with all lamp types
- Features a rugged die-cast aluminum mounting plate
- Can be wired to a 4" junction box, or surface mounted using the 1/2" NPT conduit entry point



DIMENSIONS



Approximate Weight: 4 lbs.

Specifications are subject to change without notice

ORDERING INFORMATION

TL101	HPS	70	120	USA
SERIES	LAMP	WATTS	VOLTS	OPTIONS (Factory Installed)
TL101	HPS = High Pressure Sodium	35 = 35W 50 = 50W 70 = 70W	120 = 120V	USA = Meets Buy America Requirements

TL102 MINI DIE-CAST ALUMINUM WALL PACK



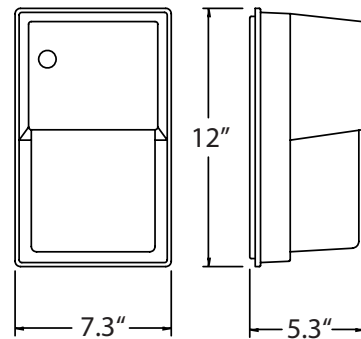
See Page: 77 for CF

FEATURES

- Durable, die-cast aluminum enclosure with an architectural bronze powder coated finish
- Fully sealed and gasketed, wet location listed
- Enclosure and hardware are corrosion resistant
- Internal, anodized aluminum reflector
- Lamp is protected by a high-impact, heat resistant borosilicate glass refractor
- Metal Halide or High Pressure Sodium lamps from 35 to 100 watts
- Features a rugged die-cast aluminum mounting plate
- Can be wired to a 4" junction box, or surface mounted using the 1/2" NPT conduit entry point



DIMENSIONS



Approximate Weight: 7 lbs.

HID LIGHTING

Specifications are subject to change without notice

ORDERING INFORMATION

TL102	MH	100	MT	USA	PC1
SERIES	LAMP	WATTS	VOLTS	OPTIONS (Factory Installed)	ACCESSORIES ⁵ (Field Installed)
TL102	MH = Metal Halide HPS = High Pressure Sodium	<u>Metal Halide</u> 50 = 50W 70 = 70W 100 = 100W <u>High Pressure Sodium</u> 35 = 35W 50 = 50W 70 = 70W 100 = 100W	120 ¹ = 120V DT ² = 120/277V MT ³ = 120/208/240/277V	USA = Meets Buy America Requirements	PC1 ⁴ = 120V Photocontrol PC2 ⁴ = 208-277V Photocontrol WG102 = Wire Guard

¹ High Pressure Sodium Lamps Only
² 50 Watt Metal Halide Lamps Only
³ Metal Halide Lamps Only (Except 50 Watt)
⁴ Not Available on 100W Units
⁵ Order As Separate Line Item



TL103 SMALL DIE-CAST ALUMINUM WALL PACK



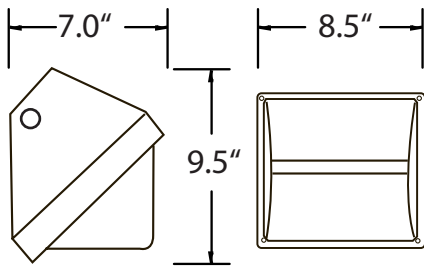
See Page: 78 for CF

FEATURES

- Durable, die-cast aluminum enclosure with an architectural bronze powder coated finish
- Fully sealed and gasketed, wet location listed
- Enclosure and hardware are corrosion resistant
- Internal, anodized aluminum reflector
- Lamp is protected by a vandal-resistant, UV stabilized polycarbonate prismatic refractor
- Metal Halide or High Pressure Sodium lamps from 35 to 70 watts
- Features a rugged die-cast aluminum mounting plate
- Can be wired to a 4" junction box, or surface mounted using the 1/2" NPT conduit entry point



DIMENSIONS



Approximate Weight: 5 lbs.

Specifications are subject to change without notice

ORDERING INFORMATION

TL103	MH	70	MT	SZ120	PC1
SERIES	LAMP	WATTS	VOLTS	OPTIONS (Factory Installed)	ACCESSORIES ⁵ (Field Installed)
TL103	MH = Metal Halide HPS = High Pressure Sodium	<u>Metal Halide</u> 50 = 50W 70 = 70W <u>High Pressure Sodium</u> 35 = 35W 50 = 50W 70 = 70W	120 ¹ = 120V DT ² = 120/277V MT ³ = 120/208/240/277V	SZXXX ⁴ = Single Line Side Fuse (Specify 120 or 277V) DZXXX ⁴ = Double Line Side Fuse (Specify 208 or 240V) USA = Meets Buy America Requirements	PC1 = 120V Photocontrol PC2 = 208-277V Photocontrol RL103 = Replacement Lens

¹ HPS Lamps Only
² 50 Watt MH or HPS Lamps Only
³ 70 Watt MH or HPS Lamps Only
⁴ Specify Voltage
⁵ Order As Separate Line Item

HID LIGHTING

TL104 SMALL DIE-CAST ALUMINUM WALL PACK



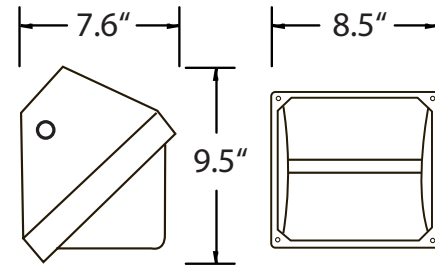
See Page: 79 for CF

FEATURES

- Durable, die-cast aluminum enclosure with an architectural bronze powder coated finish
- Fully sealed and gasketed, wet location listed
- Enclosure and hardware are corrosion resistant
- Internal, anodized aluminum reflector
- Lamp is protected by a high-impact, heat resistant borosilicate glass refractor
- Metal Halide or High Pressure Sodium lamps from 35 to 150 watts
- Can be wired to a 4" junction box, or surface mounted using the 1/2" NPT conduit entry point



DIMENSIONS



Approximate Weight: 8 lbs.

HID LIGHTING

Specifications are subject to change without notice

ORDERING INFORMATION

TL104	MH	100	MT	DZ208	PC1
SERIES	LAMP	WATTS	VOLTS	OPTIONS (Factory Installed)	ACCESSORIES ⁶ (Field Installed)
TL104	MH = Metal Halide HPS = High Pressure Sodium	<u>Metal Halide</u> 50 = 50W 70 = 70W 100 = 100W <u>High Pressure Sodium</u> 35 = 35W 50 = 50W 70 = 70W 100 = 100W 150 ⁴ = 150W	120 ^{1,4} = 120V DT ² = 120/277V MT ³ = 120/208/240/277V	SZXXX ⁵ = Single Line Side Fuse (Specify 120 or 277V) DZXXX ⁵ = Double Line Side Fuse (Specify 208, 240, or 480V) USA = Meets Buy America Requirements	PC1 = 120V Photocontrol PC2 = 208-277V Photocontrol WG104 = Wireguard GS104 = Glare Shield RL104 = Replacement Lens

¹ HPS Lamps Only
² 50 Watt MH or HPS Lamps Only
³ Up to 100 Watt MH or HPS Lamps Only
⁴ 150W HPS Lamps are 120VAC Only
⁵ Specify Voltage
⁶ Order as Separate Line Item



TL105 DECORATIVE MINI POLYCARBONATE WALL PACK



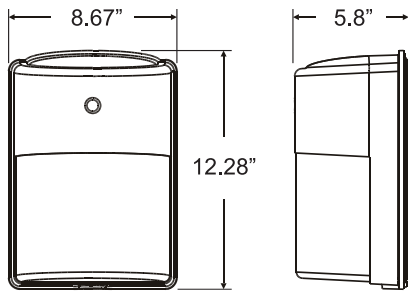
See Page: 80 for CF

FEATURES

- Durable, die-cast aluminum backplate
- Heat and impact resistant polycarbonate lens and housing
- Fully sealed and gasketed, wet location listed
- Enclosure and hardware are corrosion resistant
- Internal, anodized aluminum reflector
- Metal Halide or High Pressure Sodium lamps from 35 to 100 watts
- Can be wired to a 4" junction box, or surface mounted using the 1/2" NPT conduit entry point



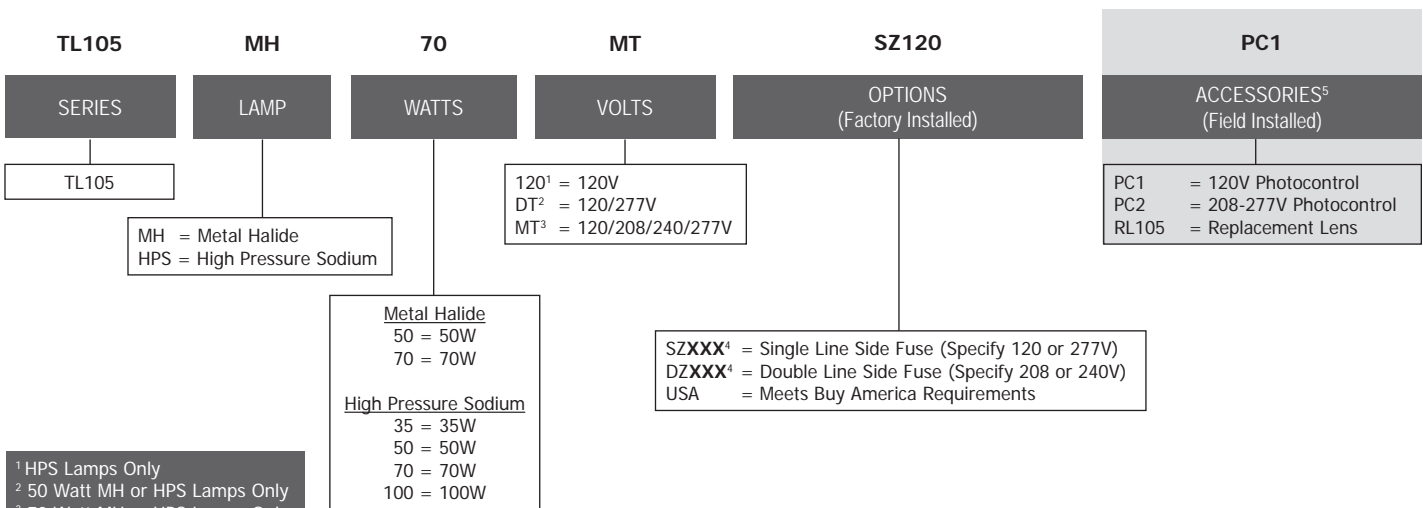
DIMENSIONS



Approximate Weight: 5 lbs.

Specifications are subject to change without notice

ORDERING INFORMATION



¹ HPS Lamps Only
² 50 Watt MH or HPS Lamps Only
³ 70 Watt MH or HPS Lamps Only
⁴ Specify Voltage
⁵ Order as Separate Line Item

HID LIGHTING

TL106 MEDIUM DIE-CAST ALUMINUM WALL PACK



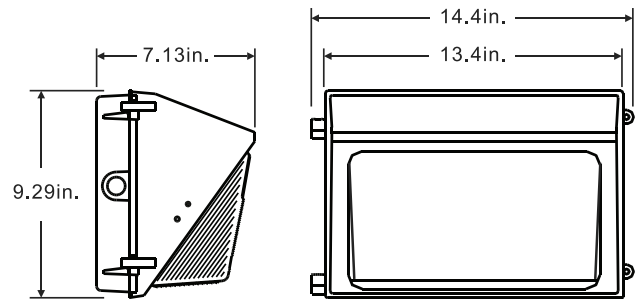
See Page: 81 for CF



FEATURES

- Durable, die-cast aluminum enclosure with an architectural bronze powder coated finish
- Fully sealed and gasketed, wet location listed
- Enclosure and hardware are corrosion resistant
- Internal, anodized aluminum reflector
- Lamp(s) are protected by a high-impact, heat resistant borosilicate glass refractor
- Metal Halide, Pulse Start Metal Halide or High Pressure Sodium lamps from 35 to 150 watts
- Can be wired to a 4" junction box, or surface mounted using the 1/2" NPT conduit entry point

DIMENSIONS



Approximate Weight: 10 lbs.

HID LIGHTING

Specifications are subject to change without notice

ORDERING INFORMATION

TL106	MH	100	MT	SZ120	PC1
SERIES	LAMP	WATTS	VOLTS	OPTIONS (Factory Installed)	ACCESSORIES ⁵ (Field Installed)
TL106	MH = Metal Halide PSMH = Pulse Start Metal Halide HPS = High Pressure Sodium	Metal Halide 50 = 50W 70 = 70W 100 = 100W Pulse Start Metal Halide 150 = 150W High Pressure Sodium 35 = 35W 50 = 50W 70 = 70W 100 = 100W 150 = 150W	120 ¹ = 120V DT ² = 120/277V MT = 120/208/240/277V 480 ³ = 480V	SZXXX ⁴ = Single Line Side Fuse (Specify 120 or 277V) DZXXX ⁴ = Double Line Side Fuse (Specify 208, 240, or 480V) USA = Meets Buy America Requirements	PC1 = 120V Photocontrol PC2 = 208-277V Photocontrol WG106 = Wireguard PG106 = Polycarbonate Guard FC106 = Full Cutoff Shield RL106 = Replacement Lens

¹ HPS Lamps Only
² 50 Watt MH or HPS Lamps Only
³ 100-150 Watt Lamps Only
⁴ Specify Voltage
⁵ Order as Separate Line Item



TL106EX LARGE DIE-CAST ALUMINUM WALL PACK



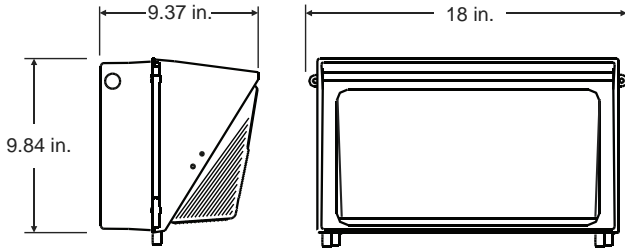
See Page: 82 for CF

FEATURES

- Durable, die-cast aluminum enclosure with an architectural bronze powder coated finish
- Fully sealed and gasketed, wet location listed
- Enclosure and hardware are corrosion resistant
- Internal, anodized aluminum reflector
- Lamp(s) are protected by a high-impact, heat resistant borosilicate glass refractor
- Metal Halide, Pulse Start Metal Halide or High Pressure Sodium lamps from 70 to 250 watts
- Can be wired to a 4" junction box, or surface mounted using the 1/2" NPT conduit entry point



DIMENSIONS



Approximate Weight: 16 lbs.

Specifications are subject to change without notice

ORDERING INFORMATION

TL106EX	MH	100	MT	SZ120	PC1
SERIES	LAMP	WATTS	VOLTS	OPTIONS (Factory Installed)	ACCESSORIES ³ (Field Installed)
TL106EX	MH = Metal Halide PSMH = Pulse Start Metal Halide HPS = High Pressure Sodium	<u>Metal Halide</u> 70 = 70W 100 = 100W <u>Pulse Start Metal Halide</u> 150 = 150W 175 = 175W 250 = 250W <u>High Pressure Sodium</u> 100 = 100W 150 = 150W 250 = 250W	MT = 120/208/240/277V 480 ¹ = 480V	QR150 = 150W Quartz Restrike SZXXX ² = Single Line Side Fuse (Specify 120 or 277V) DZXXX ² = Double Line Side Fuse (Specify 208, 240, or 480V) USA = Meets Buy America Requirements	PC1 = 120V Photocontrol PC2 = 208-277V Photocontrol WG106EX = Wireguard PG106EX = Polycarbonate Guard FC106EX = Full Cutoff Shield RL106EX = Replacement Lens

¹ Not Available on 70W Unit
² Specify Voltage
³ Order as Separate Line Item

HID LIGHTING

TL106EXT LARGE, DEEP DIE-CAST ALUMINUM WALL PACK

BUY AMERICA

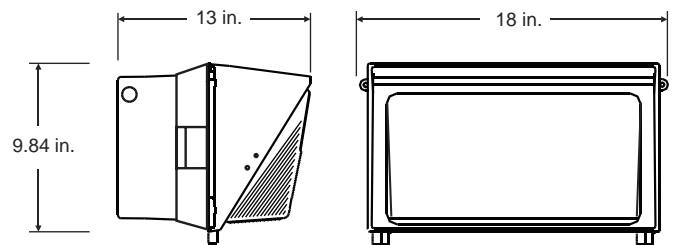


FEATURES

- Durable, die-cast aluminum enclosure with an architectural bronze powder coated finish
- Fully sealed and gasketed, wet location listed
- Enclosure and hardware are corrosion resistant
- Internal, anodized aluminum reflector
- Lamp(s) are protected by a high-impact, heat resistant borosilicate glass refractor
- Metal Halide, Pulse Start Metal Halide or High Pressure Sodium lamps from 100 to 400 watts
- Hinged design for easy access to internal components
- Can be wired to a 4" junction box, or surface mounted using the 1/2" NPT conduit entry point



DIMENSIONS



Approximate Weight: 18 lbs.

Specifications are subject to change without notice

ORDERING INFORMATION

TL106EXT	PSMH	400	MT	SZ120	PC1
SERIES	LAMP	WATTS	VOLTS	OPTIONS (Factory Installed)	ACCESSORIES ² (Field Installed)
TL106EXT	MH = Metal Halide PSMH = Pulse Start Metal Halide HPS = High Pressure Sodium	<u>Metal Halide</u> 100 = 100W <u>Pulse Start Metal Halide</u> 150 = 150W 175 = 175W 250 = 250W 320 = 320W 350 = 350W 400 = 400W <u>High Pressure Sodium</u> 250 = 250W 400 = 400W	MT = 120/208/240/277V 480 = 480V	QR150 = 150W Quartz Restrike SZXXX ¹ = Single Line Side Fuse (Specify 120 or 277V) DZXXX ¹ = Double Line Side Fuse (Specify 208, 240, or 480V) USA = Meets Buy America Requirements	PC1 = 120V Photocontrol PC2 = 208-277V Photocontrol WG106EXT = Wireguard PG106EXT = Polycarbonate Guard FC106EXT = Full Cutoff Shield RL106EXT = Replacement Lens

¹ Specify Voltage
² Order as Separate Line Item



TL110 ARCHITECTURAL FULL CUTOFF DIE-CAST ALUMINUM WALL PACK

See Page: 83 for CF



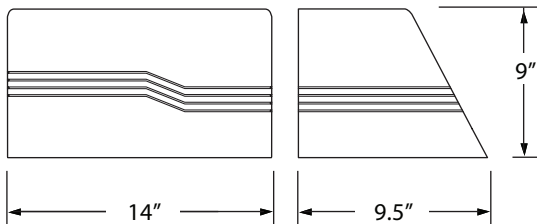
FEATURES

- Durable, die-cast aluminum enclosure with an architectural bronze powder coated finish
- Fully sealed and gasketed, wet location listed
- Enclosure and hardware are corrosion resistant
- Internal, anodized aluminum reflector with full cutoff distribution
- Lamp(s) are protected by a high-impact, heat resistant tempered glass lens
- Metal Halide, Pulse Start Metal Halide or High Pressure Sodium lamps from 35 to 150 watts
- Can be wired to a 4" junction box, or surface mounted using the 1/2" NPT conduit entry point
- Can be mounted in an inverted position, the unit is then rated for damp locations only



DARKSKY
COMPLIANT

DIMENSIONS



TL110 Approx. Weight: 12 lbs.

Specifications are subject to change without notice

ORDERING INFORMATION

TL110	PSMH	150	MT	DZ208	WG110
SERIES	LAMP	WATTS	VOLTS	OPTIONS (Factory Installed)	ACCESSORIES ⁴ (Field Installed)
TL110	MH = Metal Halide PSMH = Pulse Start Metal Halide HPS = High Pressure Sodium	<u>Metal Halide</u> 50 = 50W 70 = 70W 100 = 100W <u>Pulse Start Metal Halide</u> 150 = 150W <u>High Pressure Sodium</u> 35 = 35W 50 = 50W 70 = 70W 100 = 100W 150 = 150W	120 ¹ = 120V DT ² = 120/277V MT ³ = 120/208/240/277V 480 ⁴ = 480V	SZXXX ⁵ = Single Line Side Fuse (Specify 120 or 277V) DZXXX ⁵ = Double Line Side Fuse (Specify 208, 240, or 480V) USA = Meets Buy America Requirements	PC1 = 120V Photocontrol PC2 = 208-277V Photocontrol WG110 = Wireguard PG110 = Polycarbonate Guard RL110 = Replacement Lens

¹ HPS Lamps Only
² 50 Watt HPS Lamps Only
³ Not Available on 35-50 Watt HPS
⁴ 100-150 Watt Lamps Only
⁵ Specify Voltage
⁶ Order as Separate Line Item

TL110EX LARGE ARCHITECTURAL FULL CUTOFF DIE-CAST ALUMINUM WALL PACK



See Page: 84 for CF



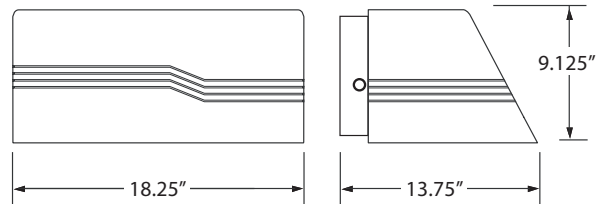
FEATURES

- Durable, die-cast aluminum enclosure with an architectural bronze powder coated finish
- Fully sealed and gasketed, wet location listed
- Enclosure and hardware are corrosion resistant
- Internal, anodized aluminum reflector with full cutoff distribution
- Lamp(s) are protected by a high-impact, heat resistant tempered glass lens
- Metal Halide, Pulse Start Metal Halide or High Pressure Sodium lamps from 100 to 250 watts
- Hinged design for easy access to internal components
- Can be wired to a 4" junction box, or surface mounted using the 1/2" NPT conduit entry point

DARKSKY
COMPLIANT



DIMENSIONS



TL110EX Approx. Weight: 16 lbs.

HID LIGHTING

Specifications are subject to change without notice

ORDERING INFORMATION

TL110EX	PSMH	250	MT	SZ120	WG110EX
SERIES	LAMP	WATTS	VOLTS	OPTIONS (Factory Installed)	ACCESSORIES ² (Field Installed)
TL110EX	PSMH = Pulse Start Metal Halide HPS = High Pressure Sodium	<u>Pulse Start Metal Halide</u> 150 = 150W 250 = 250W <u>High Pressure Sodium</u> 100 = 100W 150 = 150W 250 = 250W	MT = 120/208/240/277V 480 = 480V	QR150 = 150W Quartz Restrike SZXXX ¹ = Single Line Side Fuse (Specify 120 or 277V) DZXXX ¹ = Double Line Side Fuse (Specify 208, 240, or 480V) USA = Meets Buy America Requirements	PC1 = 120V Photocontrol PC2 = 208-277V Photocontrol WG110EX = Wireguard PG110EX = Polycarbonate Guard RL110EX = Replacement Lens

¹ Specify Voltage
² Order as Separate Line Item



TL110EXT LARGE, DEEP FULL CUTOFF DIE-CAST ALUMINUM WALL PACK



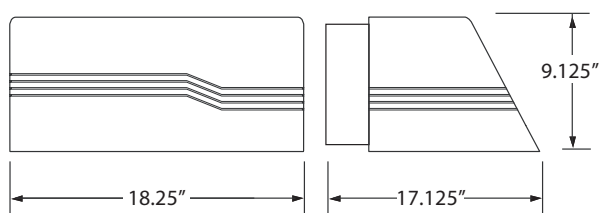
FEATURES

- Durable, die-cast aluminum enclosure with an architectural bronze powder coated finish
- Fully sealed and gasketed, wet location listed
- Enclosure and hardware are corrosion resistant
- Internal, anodized aluminum reflector with full cutoff distribution
- Lamp(s) are protected by a high-impact, heat resistant tempered glass lens
- Metal Halide, Pulse Start Metal Halide or High Pressure Sodium lamps from 100 to 400 watts
- Hinged design for easy access to internal components
- Can be wired to a 4" junction box, or surface mounted using the 1/2" NPT conduit entry point



DARKSKY
COMPLIANT

DIMENSIONS



TL110EXT Approx. Weight: 19 lbs.

Specifications are subject to change without notice

ORDERING INFORMATION

TL110EXT	PSMH	400	MT	DZ208	WG110EXT
SERIES	LAMP	WATTS	VOLTS	OPTIONS (Factory Installed)	ACCESSORIES ² (Field Installed)
TL110EXT	MH = Metal Halide PSMH = Pulse Start Metal Halide HPS = High Pressure Sodium	<u>Metal Halide</u> 100 = 100W <u>Pulse Start Metal Halide</u> 150 = 150W 175 = 175W 250 = 250W 320 = 320W 350 = 350W 400 = 400W <u>High Pressure Sodium</u> 100 = 100W 150 = 150W 250 = 250W 400 = 400W	MT = 120/208/240/277V 480 = 480VAC	QR150 = 150W Quartz Restrike SZXXX ¹ = Single Line Side Fuse (Specify 120 or 277V) DZXXX ¹ = Double Line Side Fuse (Specify 208, 240, or 480V) USA = Meets Buy America Requirements	PC1 = 120V Photocontrol PC2 = 208-277V Photocontrol WG110EXT = Wireguard PG110EXT = Polycarbonate Guard RL110EXT = Replacement Lens

¹ Specify Voltage
² Order as Separate Line Item

HID LIGHTING

TL110A ARCHITECTURAL FULL CUTOFF DIE-CAST ALUMINUM WALL PACK



See Page: 85 for CF

FEATURES

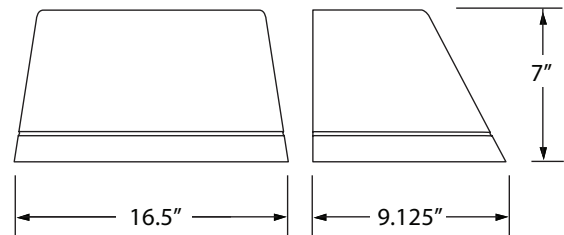
- Durable, die-cast aluminum enclosure with an architectural bronze powder coated finish
- Fully sealed and gasketed, wet location listed
- Enclosure and hardware are corrosion resistant
- Internal, anodized aluminum wide throw reflector, an optional forward throw reflector is available, both with full cutoff distribution
- Lamp(s) are protected by a high-impact, heat resistant tempered glass lens
- Metal Halide, Pulse Start Metal Halide or High Pressure Sodium lamps from 35 to 150 watts
- Hinged design for easy access to internal components



DARKSKY
COMPLIANT



DIMENSIONS



TL110A Approx. Weight: 18 lbs.

HID LIGHTING

Specifications are subject to change without notice


ORDERING INFORMATION

TL110A	PSMH	150	MT	DZ208	PC2
SERIES	LAMP	WATTS	VOLTS	OPTIONS (Factory Installed)	ACCESSORIES ⁶ (Field Installed)
TL110A	MH = Metal Halide PSMH = Pulse Start Metal Halide HPS = High Pressure Sodium	<u>Metal Halide</u> 50 = 50W 70 = 70W 100 = 100W <u>Pulse Start Metal Halide</u> 150 = 150W <u>High Pressure Sodium</u> 35 = 35W 50 = 50W 70 = 70W 100 = 100W 150 = 150W	120 ¹ = 120V DT ² = 120/277V MT ³ = 120/208/240/277V 480 ⁴ = 480V	QR150 = 150W Quartz Restrike SZXXX ⁵ = Single Line Side Fuse (Specify 120 or 277V) DZXXX ⁵ = Double Line Side Fuse (Specify 208, 240, or 480V) FT = Forward Throw Reflector USA = Meets Buy America Requirements	PC1 = 120V Photocontrol PC2 = 208-277V Photocontrol

¹ HPS Lamps Only
² 50 Watt HPS Lamps Only
³ 70-150 Watt Lamps Only
⁴ 100-150 Watt Lamps Only
⁵ Specify Voltage
⁶ Order as Separate Line Item



TL111 ARCHITECTURAL FULL CUTOFF
DIE-CAST ALUMINUM WALL PACK

See Page: 86 for CF 

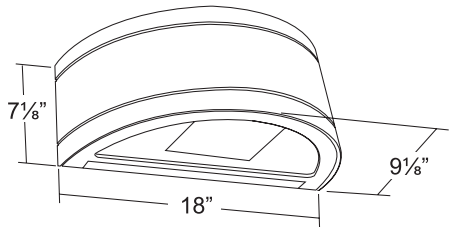
FEATURES

- Durable, die-cast aluminum enclosure with an architectural bronze powder coated finish
- Fully sealed and gasketed, wet location listed
- Enclosure and hardware are corrosion resistant
- Internal, anodized aluminum reflector with full cutoff distribution
- Optional up/down light distribution provides attractive uplighting
- Lamp(s) are protected by a high-impact, heat resistant tempered glass lens
- Metal Halide, Pulse Start Metal Halide or High Pressure Sodium lamps from 35 to 150 watts
- Can be wired to a 4" junction box using easy hang bracket with built-in bubble level



DARKSKY
COMPLIANT

DIMENSIONS



Approximate Weight: 14 lbs.

Specifications are subject to change without notice

ORDERING INFORMATION

TL111	PSMH	150	MT	DZ208	PC2
SERIES	LAMP	WATTS	VOLTS	OPTIONS (Factory Installed)	ACCESSORIES ⁷ (Field Installed)
TL111	MH = Metal Halide PSMH = Pulse Start Metal Halide HPS = High Pressure Sodium	<u>Metal Halide</u> 50 = 50W 70 = 70W 100 = 100W <u>Pulse Start Metal Halide</u> 150 = 150W <u>High Pressure Sodium</u> 35 = 35W 50 = 50W 70 = 70W 100 = 100W 150 = 150W	120 ¹ = 120V DT ² = 120/277V MT ³ = 120/208/240/277V 480 ⁴ = 480V	UD ⁵ = Up/Down Light Distribution SZXXX ⁶ = Single Line Side Fuse (Specify 120 or 277V) DZXXX ⁶ = Double Line Side Fuse (Specify 208, 240, or 480V) USA = Meets Buy America Requirements	PC1 = 120V Photocontrol PC2 = 208-277V Photocontrol

¹ HPS Lamps Only
² 50 Watt MH or HPS Lamps Only
³ Not Available on 35-50 Watt
⁴ 100-150 Watt Lamps Only
⁵ Not Dark Sky Compliant
⁶ Specify Voltage
⁷ Order as Separate Line Item

TL111A ARCHITECTURAL FULL CUTOFF DIE-CAST ALUMINUM WALL PACK



See Page: 87 for CF



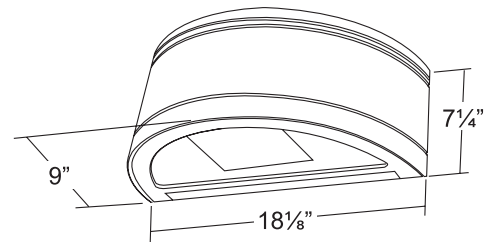
FEATURES

- Durable, die-cast aluminum enclosure with an architectural bronze powder coated finish
- Fully sealed and gasketed, wet location listed
- Enclosure and hardware are corrosion resistant
- Internal, anodized aluminum reflector with full cutoff distribution
- Optional up/down light distribution provides attractive uplighting
- Lamp(s) are protected by a high-impact, heat resistant tempered glass lens
- Metal Halide, Pulse Start Metal Halide or High Pressure Sodium lamps from 35 to 150 watts
- Can be wired to a 4" junction box using easy hang bracket with built-in bubble level

DARKSKY
COMPLIANT



DIMENSIONS



Approximate Weight: 14 lbs.

HID LIGHTING

Specifications are subject to change without notice

ORDERING INFORMATION


TL111A	PSMH	150	MT	DZ208	PC2
SERIES	LAMP	WATTS	VOLTS	OPTIONS (Factory Installed)	ACCESSORIES ⁷ (Field Installed)
TL111A	MH = Metal Halide PSMH = Pulse Start Metal Halide HPS = High Pressure Sodium	<u>Metal Halide</u> 50 = 50W 70 = 70W 100 = 100W <u>Pulse Start Metal Halide</u> 150 = 150W <u>High Pressure Sodium</u> 35 = 35W 50 = 50W 70 = 70W 100 = 100W 150 = 150W	120 ¹ = 120V DT ² = 120/277V MT ³ = 120/208/240/277V 480 ⁴ = 480V	UD ⁵ = Up/Down Light Distribution QR150 = 150W Quartz Restrike SZXXX ⁶ = Single Line Side Fuse (Specify 120 or 277V) DZXXX ⁶ = Double Line Side Fuse (Specify 208, 240, or 480V) FT = Forward Throw Reflector USA = Meets Buy America Requirements	PC1 = 120V Photocontrol PC2 = 208-277V Photocontrol

¹ HPS Lamps Only
² 50 Watt MH or HPS Lamps Only
³ Not Available on 35-50 Watt
⁴ 100-150 Watt Lamps Only
⁵ Not Dark Sky Compliant
⁶ Specify Voltage
⁷ Order as Separate Line Item



TL112 ARCHITECTURAL FULL CUTOFF
DIE-CAST ALUMINUM WALL PACK

See Page: 88 for CF



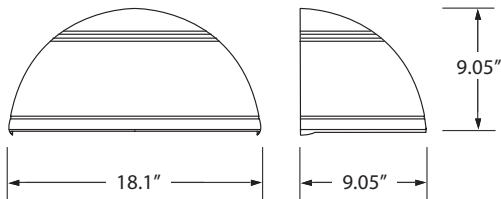
FEATURES

- Durable, die-cast aluminum enclosure with an architectural bronze powder coated finish
- Fully sealed and gasketed, wet location listed
- Enclosure and hardware are corrosion resistant
- Internal, anodized aluminum reflector with full cutoff distribution
- Lamp(s) are protected by a high-impact, heat resistant tempered glass lens
- Metal Halide, Pulse Start Metal Halide or High Pressure Sodium lamps from 35 to 150 watts
- Can be wired to a 4" junction box using easy hang bracket with built-in bubble level



DARKSKY
COMPLIANT

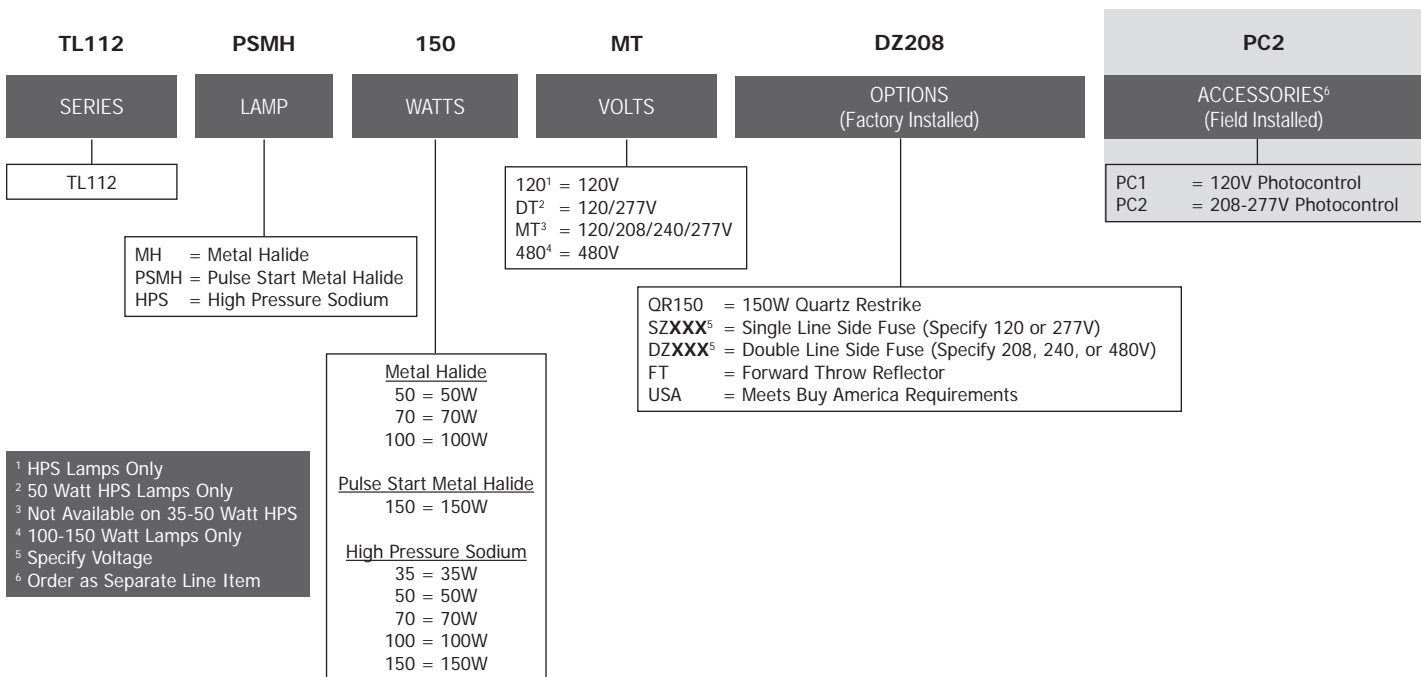
DIMENSIONS



Approximate Weight: 13 lbs.

Specifications are subject to change without notice

ORDERING INFORMATION



¹ HPS Lamps Only
² 50 Watt HPS Lamps Only
³ Not Available on 35-50 Watt HPS
⁴ 100-150 Watt Lamps Only
⁵ Specify Voltage
⁶ Order as Separate Line Item

TL117 LARGE, SLIM DIE-CAST ALUMINUM DIE-CAST ALUMINUM WALL PACK

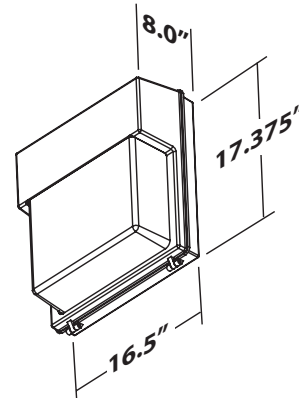


FEATURES

- Durable, die-cast aluminum back housing with an architectural bronze powder coated finish
- Fully sealed and gasketed, wet location listed
- Enclosure and hardware are corrosion resistant
- Internal, anodized aluminum reflector
- Lamp(s) are protected by an impact-resistant, borosilicate glass prismatic refractor
- Metal Halide, Pulse Start Metal Halide or High Pressure Sodium lamps from 100 to 400 watts
- Hinged design for easy access to internal components
- Can be wired to a 4" junction box, or surface mounted using the 1/2" NPT conduit entry point



DIMENSIONS



Approximate Weight: 20 lbs.

HID LIGHTING

Specifications are subject to change without notice

ORDERING INFORMATION

TL117	PSMH	150	MT	DZ208	PC2
SERIES	LAMP	WATTS	VOLTS	OPTIONS (Factory Installed)	ACCESSORIES ² (Field Installed)
TL117	MH = Metal Halide PSMH = Pulse Start Metal Halide HPS = High Pressure Sodium	<u>Metal Halide</u> 100 = 100W <u>Pulse Start Metal Halide</u> 150 = 150W 175 = 175W 200 = 200W 250 = 250W 320 = 320W 350 = 350W 400 = 400W <u>High Pressure Sodium</u> 150 = 150W 250 = 250W 400 = 400W	MT = 120/208/240/277V 480 = 480V	QR150 = 150W Quartz Restrike SZXXX ¹ = Single Line Side Fuse (Specify 120 or 277V) DZXXX ¹ = Double Line Side Fuse (Specify 208, 240, or 480V) USA = Meets Buy America Requirements	PC1 = 120V Photocontrol PC2 = 208-277V Photocontrol

¹ Specify Voltage
² Order as Separate Line Item



TL118 DIE-CAST ALUMINUM WALL PACK



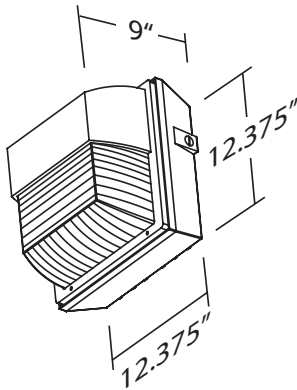
See Page: 90 for CF

FEATURES

- Die-cast aluminum housing with an architectural bronze powder coated finish and matched polycarbonate front cover
- Fully sealed and gasketed, wet location listed
- Enclosure and hardware are corrosion resistant
- Internal, anodized aluminum reflector
- Lamp(s) are protected by a vandal-resistant, polycarbonate prismatic refractor
- Metal Halide, Pulse Start Metal Halide or High Pressure Sodium lamps from 35 to 150 watts
- Can be wired to a 4" junction box, or surface mounted using the 1/2" NPT conduit entry point



DIMENSIONS



Approximate Weight: 15 lbs.

Specifications are subject to change without notice

ORDERING INFORMATION

TL118	PSMH	150	MT	DZ208	PC2
SERIES	LAMP	WATTS	VOLTS	OPTIONS (Factory Installed)	ACCESSORIES ⁶ (Field Installed)
TL118			120 ¹ = 120V DT ² = 120/277V MT ³ = 120/208/240/277V 480 ⁴ = 480V		PC1 = 120V Photocontrol PC2 = 208-277V Photocontrol

PSMH = Pulse Start Metal Halide
HPS = High Pressure Sodium

Metal Halide
50 = 50W
70 = 70W
100 = 100W

Pulse Start Metal Halide
150 = 150W

High Pressure Sodium
35 = 35W
50 = 50W
70 = 70W
100 = 100W
150 = 150W

QR150 = 150W Quartz Restrike
SZXXX⁵ = Single Line Side Fuse (Specify 120 or 277V)
DZXXX⁵ = Double Line Side Fuse (Specify 208, 240, or 480V)
USA = Meets Buy America Requirements

- ¹ HPS Lamps Only
- ² 50 Watt Lamps Only
- ³ 70-150 Watt Lamps Only
- ⁴ 100-150 Watt Lamps Only
- ⁵ Specify Voltage
- ⁶ Order as Separate Line Item

TL119 DIE-CAST ALUMINUM SEMI-CUTOFF WALL PACK



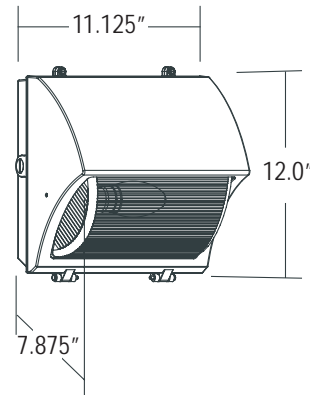
See Page: 5 for IND
91 for CF



FEATURES

- Die-cast aluminum housing with an architectural bronze powder coated finish
- Fully sealed and gasketed, wet location listed
- Enclosure and hardware are corrosion resistant
- Internal, anodized aluminum reflector with semi-cutoff distribution
- Lamp(s) are protected by a vandal-resistant, borosilicate glass prismatic refractor
- Available with Metal Halide, Pulse Start Metal Halide or High Pressure Sodium lamps from 35 to 150 watts
- Hinged design for easy access to internal components
- Can be wired to a 4" junction box, or surface mounted using the 1/2" NPT conduit entry point

DIMENSIONS



Approximate Weight: 15 lbs.

HID LIGHTING

Specifications are subject to change without notice

ORDERING INFORMATION

TL119	PSMH	150	MT	SZ120	WG119
SERIES	LAMP	WATTS	VOLTS	OPTIONS (Factory Installed)	ACCESSORIES ⁶ (Field Installed)
TL119	MH = Metal Halide PSMH = Pulse Start Metal Halide HPS = High Pressure Sodium	<u>Metal Halide</u> 50 = 50W 70 = 70W 100 = 100W <u>Pulse Start Metal Halide</u> 150 = 150W <u>High Pressure Sodium</u> 35 = 35W 50 = 50W 70 = 70W 100 = 100W 150 = 150W	120 ¹ = 120V DT ² = 120/277V MT ³ = 120/208/240/277V 480 ⁴ = 480V	SZXXX ⁵ = Single Line Side Fuse (Specify 120 or 277V) DZXXX ⁵ = Double Line Side Fuse (Specify 208, 240, or 480V) USA = Meets Buy America Requirements	PC1 = 120V Photocontrol PC2 = 208-277V Photocontrol WG119 = Wireguard RL119 = Replacement Lens

¹ HPS Lamps Only
² 50 Watt Lamps Only
³ 70-150 Watt Lamps Only
⁴ 100-150 Watt Lamps Only
⁵ Specify Voltage
⁶ Order as Separate Line Item

TL119EX LARGE SEMI-CUTOFF DIE-CAST ALUMINUM WALL PACK



See Page: 6 for IND

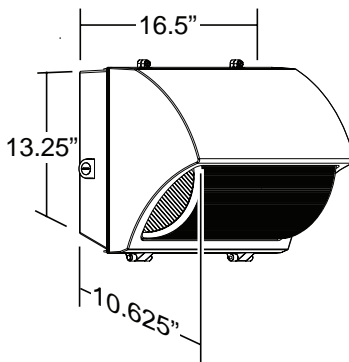


FEATURES

- Die-cast aluminum housing with an architectural bronze powder coated finish
- Fully sealed and gasketed, wet location listed
- Enclosure and hardware are corrosion resistant
- Internal, anodized aluminum reflector with semi-cutoff distribution
- Lamp(s) are protected by a vandal-resistant, borosilicate glass prismatic refractor
- Available with Metal Halide, Pulse Start Metal Halide or High Pressure Sodium lamps from 70 to 400 watts
- Can be wired to a 4" junction box, or surface mounted using the 1/2" NPT conduit entry point



DIMENSIONS



Approximate Weight: 21 lbs.

Specifications are subject to change without notice

ORDERING INFORMATION

TL119EX	PSMH	250	MT	QR150	WG119EX
SERIES	LAMP	WATTS	VOLTS	OPTIONS (Factory Installed)	ACCESSORIES ³ (Field Installed)
TL119EX	MH = Metal Halide PSMH = Pulse Start Metal Halide HPS = High Pressure Sodium	<u>Metal Halide</u> 70 = 70W 100 = 100W <u>Pulse Start Metal Halide</u> 150 = 150W 250 = 250W 320 = 320W 350 = 350W 400 = 400W <u>High Pressure Sodium</u> 70 = 70W 100 = 100W 150 = 150W 250 = 250W 400 = 400W	MT = 120/208/240/277V 480 ¹ = 480V	QR150 = 150W Quartz Restrike SZXXX ² = Single Line Side Fuse (Specify 120 or 277V) DZXXX ³ = Double Line Side Fuse (Specify 208, 240, or 480V) USA = Meets Buy America Requirements	PC1 = 120V Photocontrol PC2 = 208-277V Photocontrol WG119EX = Wireguard

¹ 100-400 Watt Only
² Specify Voltage
³ Order as Separate Line Item

TL120 ARCHITECTURAL FULL CUTOFF DIE-CAST ALUMINUM WALL PACK



See Page: 92 for CF



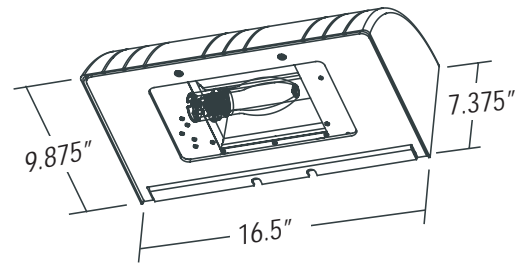
FEATURES

- Die-cast aluminum housing with an architectural bronze powder coated finish
- Fully sealed and gasketed, wet location listed
- Enclosure and hardware are corrosion resistant
- Internal, anodized aluminum reflector with full cutoff distribution
- Lamp(s) are protected by a high-impact, heat resistant tempered glass lens
- Available with Metal Halide, Pulse Start Metal Halide or High Pressure Sodium lamps from 35 to 150 watts
- Can be wired to a 4" junction box using easy hang bracket with built-in bubble level

DARKSKY
COMPLIANT



DIMENSIONS



Approximate Weight: 15 lbs.

HID LIGHTING

Specifications are subject to change without notice

ORDERING INFORMATION

TL120	PSMH	150	MT	SZ120	PC1
SERIES	LAMP	WATTS	VOLTS	OPTIONS (Factory Installed)	ACCESSORIES ⁶ (Field Installed)
TL120	MH = Metal Halide PSMH = Pulse Start Metal Halide HPS = High Pressure Sodium	<u>Metal Halide</u> 50 = 50W 70 = 70W 100 = 100W <u>Pulse Start Metal Halide</u> 150 = 150W <u>High Pressure Sodium</u> 35 = 35W 50 = 50W 70 = 70W 100 = 100W 150 = 150W	120 ¹ = 120V DT ² = 120/277V MT ³ = 120/208/240/277V 480 ⁴ = 480V	SZXXX ⁵ = Single Line Side Fuse (Specify 120 or 277V) DZXXX ⁵ = Double Line Side Fuse (Specify 208, 240, or 480V) USA = Meets Buy America Requirements	PC1 = 120V Photocontrol PC2 = 208-277V Photocontrol

- ¹ HPS Lamps Only
- ² 50 Watt Lamps Only
- ³ 70-150 Watt Lamps Only
- ⁴ 100-150 Watt Lamps Only
- ⁵ Specify Voltage
- ⁶ Order as Separate Line Item

TL121 ARCHITECTURAL FULL CUTOFF DIE-CAST ALUMINUM WALL PACK



See Page: 93 for CF



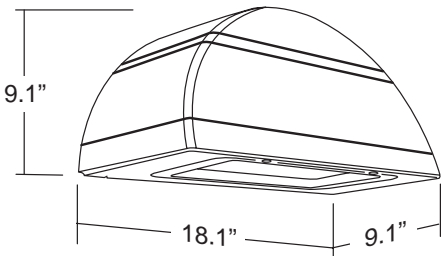
FEATURES

- Aluminum housing with an architectural bronze powder coated finish
- Fully sealed and gasketed, wet location listed
- Enclosure and hardware are corrosion resistant
- Internal, anodized aluminum reflector Can be wired to a 4" junction box using easy hang bracket with built-in bubble level
- Lamp(s) are protected by a high-impact, heat resistant tempered glass lens
- Available with Metal Halide, Pulse Start Metal Halide or High Pressure Sodium lamps from 35 to 150 watts
- Hinged design for easy access to internal components
- Can be wired to a 4" junction box using easy hang bracket with built-in bubble level



DARKSKY
COMPLIANT

DIMENSIONS



Approximate Weight: 15 lbs.

Specifications are subject to change without notice

ORDERING INFORMATION

TL121	PSMH	150	MT	SZ120	PC1
SERIES	LAMP	WATTS	VOLTS	OPTIONS (Factory Installed)	ACCESSORIES ⁶ (Field Installed)
TL121	MH = Metal Halide PSMH = Pulse Start Metal Halide HPS = High Pressure Sodium	<u>Metal Halide</u> 50 = 50W 70 = 70W 100 = 100W <u>Pulse Start Metal Halide</u> 150 = 150W <u>High Pressure Sodium</u> 35 = 35W 50 = 50W 70 = 70W 100 = 100W 150 = 150W	120 ¹ = 120V DT ² = 120/277V MT ³ = 120/208/240/277V 480 ⁴ = 480V	QR150 = 150W Quartz Restrike SZXXX ⁵ = Single Line Side Fuse (Specify 120 or 277V) DZXXX ⁵ = Double Line Side Fuse (Specify 208, 240, or 480V) USA = Meets Buy America Requirements	PC1 = 120V Photocontrol PC2 = 208-277V Photocontrol

- ¹ HPS Lamps Only
- ² 50 Watt Lamps Only
- ³ 50-150 Watt Lamps Only
- ⁴ 100-150 Watt Lamps Only
- ⁵ Specify Voltage
- ⁶ Order as Separate Line Item

TL201 SMALL DIE-CAST ALUMINUM FLOOD LIGHTING



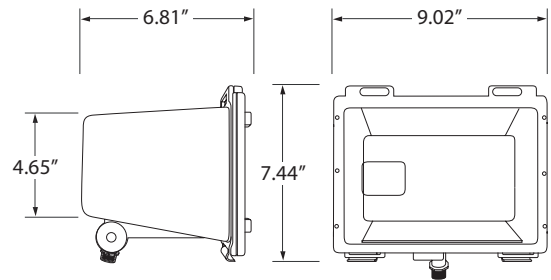
See Page: 94 for CF



FEATURES

- Durable, die-cast aluminum enclosure with an architectural bronze powder coated finish
- Fully sealed and gasketed, wet location listed
- Corrosion-resistant hardware
- Internal, anodized aluminum reflector
- Lamp is protected by a high-impact, heat resistant tempered glass lens
- Available with Metal Halide or High Pressure Sodium lamps from 35 to 100 watts
- Features a threaded 1/2" NPT adjustable knuckle
- Hinged for easy install and relamp

DIMENSIONS



Approximate Weight: 8 lbs.

HID LIGHTING

Specifications are subject to change without notice

ORDERING INFORMATION

TL201	MH	100	MT	SZ120	WG201
SERIES	LAMP	WATTS	VOLTS	OPTIONS (Factory Installed)	ACCESSORIES ⁶ (Field Installed)
TL201	MH = Metal Halide HPS = High Pressure Sodium	<u>Metal Halide</u> 50 = 50W 70 = 70W 100 = 100W <u>High Pressure Sodium</u> 35 = 35W 50 = 50W 70 = 70W 100 = 100W 150 ¹ = 150W	120 ² = 120V DT ³ = 120/277V MT ⁴ = 120/208/240/277V	SZXXX ⁵ = Single Line Side Fuse (Specify 120 or 277V) DZXXX ⁵ = Double Line Side Fuse (Specify 208, 240, or 480V) USA = Meets Buy America Requirements	PC1 = 120V Photocontrol PC2 = 208-277V Photocontrol PG201 = Polycarbonate Guard WG201 = Wire Guard GS201 = Glare Shield PF201 = Post Top Fitter (2 3/8" to 3 1/2") GRS200 = Ground Stake with Wiring Compartment and 1/2" Hubs RL201 = Replacement Lens

¹ 150W HPS is 120V Only
² HPS Lamps Only
³ 50 Watt MH or HPS Lamps Only
⁴ 70-100 Watt Lamps Only
⁵ Specify Voltage
⁶ Order as Separate Line Item



TL202 MEDIUM DIE-CAST ALUMINUM FLOOD LIGHTING



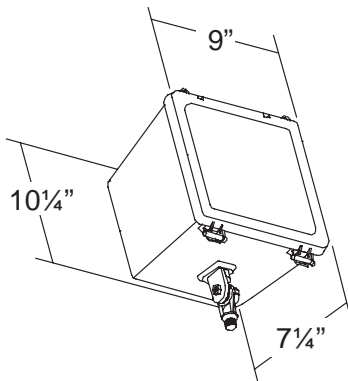
See Page: 95 for CF

FEATURES

- Durable, die-cast aluminum enclosure with an architectural bronze powder coated finish
- Fully sealed and gasketed, wet location listed
- Corrosion-resistant hardware
- Internal, anodized aluminum reflector
- Lamp(s) are protected by a high-impact, heat resistant tempered glass lens
- Optional spot reflector is also available
- Available with Metal Halide, Pulse Start Metal Halide or High Pressure Sodium lamps from 35 to 150 watts
- Features a threaded 1/2" NPT adjustable knuckle
- Hinged for easy install and relamp



DIMENSIONS



Approximate Weight: 8 lbs.

Specifications are subject to change without notice

ORDERING INFORMATION

TL202	PSMH	150	MT	SZ120	WG202
SERIES	LAMP	WATTS	VOLTS	OPTIONS (Factory Installed)	ACCESSORIES ⁵ (Field Installed)
TL202	MH = Metal Halide PSMH = Pulse Start Metal Halide HPS = High Pressure Sodium	Metal Halide 50 = 50W 70 = 70W 100 = 100W Pulse Start Metal Halide 150 = 150W High Pressure Sodium 35 = 35W 50 = 50W 70 = 70W 100 = 100W 150 = 150W	120 ¹ = 120V DT ² = 120/277V MT ³ = 120/208/240/277V	SZXXX ⁴ = Single Line Side Fuse (Specify 120 or 277V) DZXXX ⁴ = Double Line Side Fuse (Specify 208, 240, or 480V) SP = Spot Reflector SF = 2" Slipfitter Mount (Replaces 1/2" Knuckle Mount) USA = Meets Buy America Requirements	PC1 = 120V Photocontrol PC2 = 208-277V Photocontrol PG202 = Polycarbonate Guard WG202 = Wire Guard GS202 = Glare Shield PF202 = Post Top Fitter (2 3/8"-3 1/2" Poles) GRS200 = Ground Stake (Inc. Wiring Compartment & Hubs) SP202 = Spot Reflector

¹ HPS Lamps Only
² 50 Watt Lamps Only
³ 70-150 Watt Lamps Only
⁴ Specify Voltage
⁵ Order as Separate Line Item

TL203 LOW PROFILE DIE-CAST ALUMINUM FLOOD LIGHTING

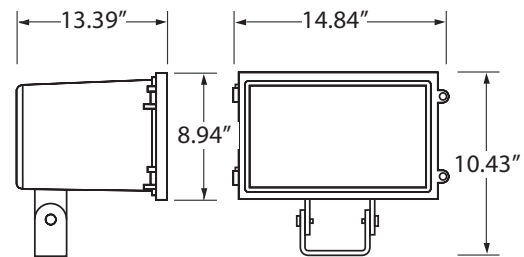


FEATURES

- Die-cast aluminum enclosure with an architectural bronze powder coated finish
- Fully sealed and gasketed, wet location listed
- Corrosion-resistant hardware
- Internal, anodized aluminum reflector
- Lamp is protected by a high-impact, heat-resistant tempered glass lens.
- Available with Metal Halide, Pulse Start Metal Halide or High Pressure Sodium lamps from 70 to 400 watts
- Swivel bracket mount included (shown)
- Hinged for easy install and relamp



DIMENSIONS



Approximate Weight: 19 lbs.

HID LIGHTING

Specifications are subject to change without notice

ORDERING INFORMATION

TL203	PSMH	150	MT	QR150	WG203
SERIES	LAMP	WATTS	VOLTS	OPTIONS (Factory Installed)	ACCESSORIES ³ (Field Installed)
TL203	MH = Metal Halide PSMH = Pulse Start Metal Halide HPS = High Pressure Sodium	<u>Metal Halide</u> 70 = 70W 100 = 100W <u>Pulse Start Metal Halide</u> 150 = 150W 175 = 175W 200 = 200W 250 = 250W 320 = 320W 350 = 350W 400 = 400W <u>High Pressure Sodium</u> 100 = 100W 150 = 150W 250 = 250W 400 = 400W	MT = 120/208/240/277V 480 ¹ = 480V	QR150 = 150W Quartz Restrike SZXXX ² = Single Line Side Fuse (Specify 120 or 277V) DZXXX ² = Double Line Side Fuse (Specify 208, 240, or 480V) SF = Slip Fitter Mount (Shipped I/O Swivel) USA = Meets Buy America Requirements	PC1 = 120V Photocontrol PC2 = 208-277V Photocontrol PG203 = Polycarbonate Guard WG203 = Wire Guard GS203 = Glare Shield SFG = Slip Fitter Mount FRM/GL203 = Replacement Frame and Lens Kit

¹ Not Available on 70W Units
² Specify Voltage
³ Order as Separate Line Item

TL204 LARGE DIE-CAST ALUMINUM FLOOD LIGHTING

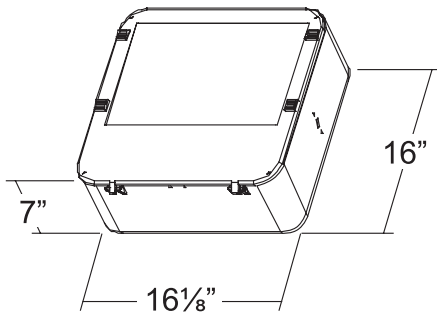


FEATURES

- Die-cast aluminum enclosure with an architectural bronze powder coated finish
- Fully sealed and gasketed, wet location listed
- Corrosion-resistant hardware
- Internal, anodized aluminum reflector provides 7H x 6V distribution, other reflector options are available
- Lamps are protected by a high-impact, heat-resistant tempered glass lens.
- Available with Metal Halide, Pulse Start Metal Halide or High Pressure Sodium lamps from 100 to 400 watts
- Hinged for easy install and relamp
- Includes swivel bracket mount, other mounting options are available



DIMENSIONS



Approximate Weight: 25 lbs.
EPA: 1.9

Specifications are subject to change without notice

ORDERING INFORMATION

TL204	PSMH	400	MT	QR150-T5R	GS16
SERIES	LAMP	WATTS	VOLTS	OPTIONS/REFLECTORS (Factory Installed)	ACCESSORIES ⁴ (Field Installed)
TL204	MH = Metal Halide PSMH = Pulse Start Metal Halide HPS = High Pressure Sodium	<u>Metal Halide</u> 100 = 100W <u>Pulse Start Metal Halide</u> 150 = 150W 175 = 175W 200 = 200W 250 = 250W 320 = 320W 350 = 350W 400 = 400W <u>High Pressure Sodium</u> 100 = 100W 150 = 150W 250 = 250W 400 = 400W	MT = 120/208/240/277V 480 = 480V	QR150 = 150W Quartz Restrike SZXXX ¹ = Single Line Side Fuse (Specify 120 or 277V) DZXXX ¹ = Double Line Side Fuse (Specify 208, 240 or 480V) SF = Slip Fitter Mount (Replaces Swivel) EXM6SS = 6" Mounting Arm (Replaces Swivel) EXM10SS = 10" Mounting Arm (Replaces Swivel) HDPM = Heavy Duty Direct 10" Pole Mount (Replaces Swivel) T5R ² = IES Type 5 Reflector FTR ² = Forward Throw Reflector PAR ² = Parking (Wide Angle) Reflector USA = Meets Buy America Requirements	PC1 = 120V Photocontrol PC2 = 208-277V Photocontrol BF16-HALF = Baffle PG16 = Polycarbonate Guard WG16 = Wire Guard GS16 = Glare Shield SF = Slip Fitter Mount LMY-16 = Large Mounting Yoke EXM6 ³ = 6" Mounting Arm EXM10 ³ = 10" Mounting Arm EXM12 ³ = 12" Mounting Arm EXM18 ³ = 18" Mounting Arm HDPM = Heavy Duty Direct 10" Pole Mount

¹ Specify Voltage
² Replaces Standard Reflector
³ Specify "S" for Straight Pole, Specify "R" for Round Pole
⁴ Order as Separate Line Item

TL205 ALUMINUM SPORTSLIGHTER FLOOD LIGHTING

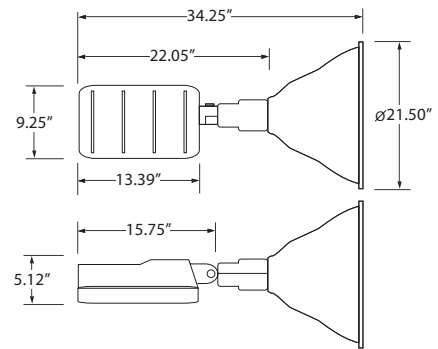


FEATURES

- Die-cast aluminum enclosure with an architectural bronze powder coated finish
- Standard 19" spun aluminum reflector provides 5H x 4V light distribution, other reflector options are available
- Fully sealed and gasketed and is wet location listed
- Corrosion-resistant hardware
- Lamp is protected by a high-impact, heat-resistant tempered glass lens
- Available with Metal Halide, Pulse Start Metal Halide or High Pressure Sodium lamps from 400 to 1500 watts
- 9/16" mounting bolt is standard, optional mounts are available
- Angle indicators on adjustable socket make aiming easy



DIMENSIONS



Approx. Weight: 25 lbs.
EPA: 2.5

HID LIGHTING

Specifications are subject to change without notice

ORDERING INFORMATION

TL205	PSMH	1000	MT	SZ120	LB205
SERIES	LAMP	WATTS	VOLTS	OPTIONS/REFLECTORS (Factory Installed)	ACCESSORIES ³ (Field Installed)
TL205			MT = 120/208/240/277V 480 = 480V		PTM205 = Pole Top Mount LHY205 = Large Handle Yoke LB205 = Internal Lamp Brace (Standard Reflector) GS205 = Glare Shield (Standard Reflector) GS205-3 = Glare Shield (Type 3 Reflector) GS205-456 = Glare Shield (Type 4,5,6 Reflector)
MH = Metal Halide PSMH = Pulse Start Metal Halide HPS = High Pressure Sodium		<u>Metal Halide</u> 1000 = 1000W 1500 = 1500W <u>Pulse Start Metal Halide</u> 400 = 400W 750 = 750W 875 = 875W 1000 = 1000W <u>High Pressure Sodium</u> 400 = 400W 1000 = 1000W		SZXXX ¹ = Single Line Side Fuse (Specify 120 or 277V) DZXXX ¹ = Double Line Side Fuse (Specify 208, 240, or 480V) T2R ² = IES Type 2 Reflector T3R ² = IES Type 3 Reflector T45R ² = IES Type 4/5 Reflector T6R ² = IES Type 6 Reflector USA = Meets Buy America Requirements	

¹ Specify Voltage
² Replaces Standard Reflector
³ Order as Separate Line Item

TL206 ROUND BACK ARCHITECTURAL DIE-CAST ALUMINUM FLOOD LIGHTING



See Page: 96 for CF

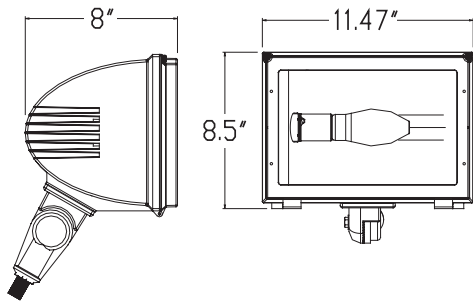


FEATURES

- Durable, die-cast aluminum enclosure with an architectural bronze powder coated finish
- Fully sealed and gasketed, wet location listed
- Corrosion-resistant hardware
- Internal, anodized aluminum reflector which provides 6H x 6V light distribution, other reflector options are available
- Lamp is protected by a high-impact, heat resistant tempered glass lens
- Available with Metal Halide, Pulse Start Metal Halide or High Pressure Sodium lamps from 35 to 150 watts
- Features a threaded 1/2" NPT adjustable knuckle, other mounting options are available
- Hinged for easy access to lamp and internal components



DIMENSIONS



Approx. Weight: 13 lbs.

Specifications are subject to change without notice

ORDERING INFORMATION

TL206	PSMH	150	MT	SZ120-SP	PG206
SERIES	LAMP	WATTS	VOLTS	OPTIONS (Factory Installed)	ACCESSORIES ⁷ (Field Installed)
TL206	MH = Metal Halide PSMH = Pulse Start Metal Halide HPS = High Pressure Sodium	<u>Metal Halide</u> 50 = 50W 70 = 70W 100 = 100W <u>Pulse Start Metal Halide</u> 150 = 150W <u>High Pressure Sodium</u> 35 = 35W 50 = 50W 70 = 70W 100 = 100W 150 = 150W	120 ¹ = 120V DT ² = 120/277V MT ³ = 120/208/240/277V 480 ⁴ = 480V	SZXXX ⁵ = Single Line Side Fuse (Specify 120 or 277V) DZXXX ⁵ = Double Line Side Fuse (Specify 208, 240 or 480V) SF = Slip Fitter Mount (Replaces Swivel) SP ⁶ = Spot Reflector USA = Meets Buy America Requirements	PC1 = 120V Photocontrol PC2 = 208-277V Photocontrol PG206 = Polycarbonate Guard WG206 = Wire Guard GS206 = Glare Shield PF206 = Post Top Fitter (2 1/2" - 3 1/2" Poles) GRS200 = Ground Stake SF206 = Slip-Fitter Mount SP206 = Spot Reflector

¹ HPS Lamps Only
² 50 Watt MH or HPS Lamps Only
³ 70-150 Watt Lamps Only
⁴ 100-150 Watt Lamps Only
⁵ Specify Voltage
⁶ Replaces Standard Reflector
⁷ Order as Separate Line Item

HID LIGHTING

TL301 16" DIE-CAST ALUMINUM AREA LIGHT



See Page: 8 for IND



Shown with Cobra Style Reflector on Full Open Frame

FEATURES

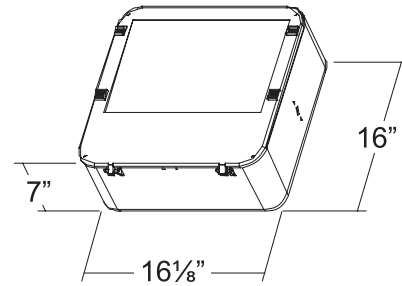
- Die-cast aluminum enclosure with an architectural bronze powder coated finish
- Fully sealed and gasketed, wet location listed
- Corrosion-resistant hardware
- Internal, anodized aluminum reflector which provides 7H x 6V light distribution, other reflector options are available
- Lamp is protected by a high-impact, heat-resistant tempered glass lens
- Available with Metal Halide, Pulse Start Metal Halide or High Pressure Sodium lamps from 100 to 400 watts
- Comes complete with 6" pole mount bracket, other mounting options are available
- Hinged for easy access to lamp and internal components

DARKSKY
COMPLIANT

WHEN MOUNTED HORIZONTALLY



DIMENSIONS



Approximate Weight: 25 lbs.
EPA: .85

Specifications are subject to change without notice

HID LIGHTING

ORDERING INFORMATION

TL301	PSMH	400	MT	T5R	QR150	BF16																														
SERIES	LAMP	WATTS	VOLTS	MOUNTING ARMS BLANK = EXM6SS (Included)	REFLECTORS	OPTIONS (Factory Installed)	ACCESSORIES ⁴ (Field Installed)																													
TL301			MT = 120/208/240/277V 480 = 480V				PC1 = 120V Photocontrol PC2 = 208-277V Photocontrol WG16 = Wireguard PG16 = Polycarbonate Guard GS16 ¹ = Glare Shield (Half) GS16-FULL ² = Glare Shield (Full) BF16 ¹ = Baffle (Half) BF16-FULL ² = Baffle (Full) LMY-16 = Large Mounting Yoke SF = Slip Fitter Mount SW = Swivel Bracket HDPM = Heavy Duty Direct Pole Mount																													
	MH = Metal Halide PSMH = Pulse Start Metal Halide HPS = High Pressure Sodium		<table border="1"> <thead> <tr> <th rowspan="2">Length (Inches)</th> <th colspan="2">Straight</th> <th colspan="2">15° Up Angle</th> </tr> <tr> <th>Square</th> <th>Round</th> <th>Square</th> <th>Round</th> </tr> </thead> <tbody> <tr> <td>EXM6XX</td> <td></td> <td></td> <td></td> <td></td> </tr> <tr> <td>EXM10XX</td> <td>SS</td> <td>SR</td> <td>AS</td> <td>AR</td> </tr> <tr> <td>EXM12XX</td> <td></td> <td></td> <td></td> <td></td> </tr> <tr> <td>EXM18XX</td> <td></td> <td></td> <td></td> <td></td> </tr> </tbody> </table>	Length (Inches)	Straight		15° Up Angle		Square	Round	Square	Round	EXM6XX					EXM10XX	SS	SR	AS	AR	EXM12XX					EXM18XX								BLANK = Standard (Included) T5R ¹ = IES Type 5 FTR ¹ = Forward Throw PAR ¹ = Parking (Wide Angle) COR ² = Cutoff HMR ² = Horizontal Mount CSR ² = Corbra Style (250W Max)
Length (Inches)	Straight		15° Up Angle																																	
	Square	Round	Square	Round																																
EXM6XX																																				
EXM10XX	SS	SR	AS	AR																																
EXM12XX																																				
EXM18XX																																				
		<p><u>Metal Halide</u> 100 = 100W</p> <p><u>Pulse Start Metal Halide</u> 150 = 150W 175 = 175W 250 = 250W 320 = 320W 350 = 350W 400 = 400W</p> <p><u>High Pressure Sodium</u> 100 = 100W 150 = 150W 250 = 250W 400 = 400W</p>				QR150 = Quartz Restrike 150W SZXXX ³ = Single Line Side Fuse (Specify 120 or 277V) DZXXX ³ = Double Line Side Fuse (Specify 208, 240 or 480V) SF = Slip Fitter Mount (Replaces Standard EXM6SS) SW = Swivel Bracket (Replaces Standard EXM6SS) HDPM = Heavy Duty Direct Pole Mount (Replaces Standard EXM6SS) USA = Meets Buy America Requirements																														

¹ For Use With Half Open Frame
² For Use With Full Open Frame
³ Specify Voltage
⁴ Order as Separate Line Item



TL302 12" DIE-CAST ALUMINUM AREA LIGHT



See Page: 9 for IND

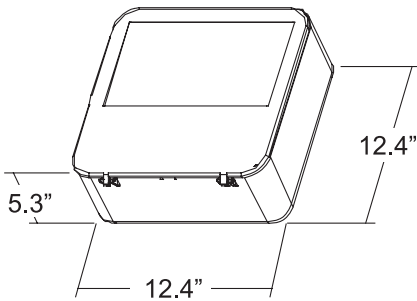
FEATURES

- Die-cast aluminum enclosure with an architectural bronze powder coated finish
- Fully sealed and gasketed, wet location listed
- Corrosion-resistant hardware
- Internal, anodized aluminum reflector which provides ideal 6H x 5V general light distribution, other reflector options are available
- Lamp is protected by a high-impact, heat-resistant tempered glass lens
- Available with Metal Halide, Pulse Start Metal Halide or High Pressure Sodium lamps from 35 to 150 watts
- Comes complete with 6" pole mount bracket, other mounting options are available
- Hinged for easy access to lamp and internal components



DARKSKY
COMPLIANT
WHEN MOUNTED HORIZONTALLY

DIMENSIONS



Approximate Weight: 20 lbs.

EPA: .55

Specifications are subject to change without notice

ORDERING INFORMATION

TL302	PSMH	150	MT	T5R	QR150	PC1																	
SERIES	LAMP	WATTS	VOLTS	MOUNTING ARMS BLANK = EXM6SS (Included)	REFLECTORS	OPTIONS (Factory Installed)	ACCESSORIES ⁶ (Field Installed)																
TL302	MH = Metal Halide PSMH = Pulse Start Metal Halide HPS = High Pressure Sodium	120 ¹ = 120V DT ² = 120/277V MT ³ = 120/208/240/277V 480 ⁴ = 480V	BLANK = Standard (Included) T5R = IES Type 5 FTR = Forward Throw PAR = Parking (Wide Angle) COR = Cutoff	<table border="1"> <thead> <tr> <th rowspan="2">Length (Inches)</th> <th colspan="2">Straight</th> <th colspan="2">15° Up Angle</th> </tr> <tr> <th>Square</th> <th>Round</th> <th>Square</th> <th>Round</th> </tr> </thead> <tbody> <tr> <td>EXM6XX</td> <td rowspan="4">SS</td> <td rowspan="4">SR</td> <td rowspan="4">AS</td> <td rowspan="4">AR</td> </tr> <tr> <td>EXM10XX</td> </tr> <tr> <td>EXM12XX</td> </tr> <tr> <td>EXM18XX</td> </tr> </tbody> </table>	Length (Inches)	Straight		15° Up Angle		Square	Round	Square	Round	EXM6XX	SS	SR	AS	AR	EXM10XX	EXM12XX	EXM18XX	QR150 = Quartz Restrike 150W SZXXX ⁵ = Single Line Side Fuse (Specify 120 or 277V) DZXXX ⁵ = Double Line Side Fuse (Specify 208, 240 or 480V) SF = Slip Fitter Mount (Replaces Standard EXM6SS) SW = Swivel Bracket (Replaces Standard EXM6SS) HDPM = Heavy Duty Direct Pole Mount (Replaces Standard EXM6SS) USA = Meets Buy America Requirements	PC1 = 120V Photocontrol PC2 = 208-277V Photocontrol WG302 = Wireguard PG302 = Polycarbonate Guard GS12 = Glare Shield SF = Slip Fitter Mount SW = Swivel Bracket HDPM = Heavy Duty Direct Pole Mount
Length (Inches)	Straight		15° Up Angle																				
	Square	Round	Square	Round																			
EXM6XX	SS	SR	AS	AR																			
EXM10XX																							
EXM12XX																							
EXM18XX																							
	<u>Metal Halide</u> 50 = 50W 70 = 70W 100 = 100W <u>Pulse Start Metal Halide</u> 150 = 150W <u>High Pressure Sodium</u> 35 = 35W 50 = 50W 70 = 70W 100 = 100W 150 = 150W																						

¹ HPS Lamps Only
² 50 Watt MH Lamps Only
³ 70-150 Watt Lamps Only
⁴ 100-150 Watt Lamps Only
⁵ Specify Voltage
⁶ Order as Separate Line Item



TL306 ADJUSTABLE, WALL OR POLE MOUNT DIE-CAST AREA LIGHT



See Page: 11 for IND
97 for CF

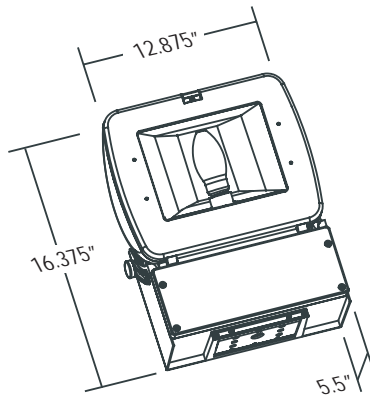
FEATURES

- Durable, corrosion-resistant, die-cast aluminum enclosure with an architectural bronze powder coated finish
- Fully sealed and gasketed, wet location listed
- Corrosion-resistant hardware
- Internal, anodized aluminum reflector provides ideal general 6H x 6V light distribution
- Lamp is protected by a high-impact, heat resistant tempered glass lens
- Available with Metal Halide, Pulse Start Metal Halide or High Pressure Sodium lamps from 35 to 150 watts
- Lamp and optics can be adjusted from 0° to 30°, angle indicator allows for easy aiming



DARKSKY
COMPLIANT
WHEN MOUNTED HORIZONTALLY

DIMENSIONS



Approximate Weight: 25 lbs.
EPA: 0.81

Specifications are subject to change without notice

ORDERING INFORMATION

TL306	PSMH	150	MT	T5R	SZ120	PB2-306, PBC2-306
SERIES	LAMP	WATTS	VOLTS	REFLECTORS	OPTIONS Factory Installed	ACCESSORIES ⁶ Field Installed
TL306	MH = Metal Halide PSMH = Pulse Start Metal Halide HPS = High Pressure Sodium	<u>Metal Halide</u> 50 = 50W 70 = 70W 100 = 100W <u>Pulse Start Metal Halide</u> 150 = 150W <u>High Pressure Sodium</u> 35 = 35W 50 = 50W 70 = 70W 100 = 100W 150 = 150W	120 ¹ = 120/277V DT ² = 120/277V MT ³ = 120/208/240/277V 480 ⁴ = 480V	BLANK = Standard (Included) T5R = IES Type 5 FTR = Forward Throw COR = Cutoff	SZXXX ⁵ = Single Line Side Fuse (Specify 120 or 277V) DZXXX ⁵ = Double Line Side Fuse (Specify 208, 240 or 480V) USA = Meets Buy America Requirements	PC1 = 120V Photocontrol PC2 = 208-277V Photocontrol PB1-306 = Pole Bracket (1) Fixture, Square Pole PB2-306 = Pole Bracket (2) Fixtures at 180°, Square Pole PBC2-306 = Pole Bracket Cover For Use With PB2-306 PB3-306 = Pole Bracket (3) Fixtures at 120°, Square Pole PBC3-306 = Pole Bracket Cover For Use With PB3-306 PB4-306 = Pole Bracket (4) Fixtures at 90°, Square Pole PBC4-306 = Pole Bracket Cover For Use With PB4-306 PBCAP-306 = Pole Bracket Cap For Use With PB Bracket w/o Covers

¹ HPS Lamps Only
² 50 Watt Lamps Only
³ 70-150 Watt Lamps Only
⁴ 100-150 Watt Lamps Only
⁵ Specify Voltage
⁶ Order as Separate Line Item

TL306EX LARGE ADJUSTABLE, WALL OR POLE MOUNT DIE-CAST AREA LIGHT



See Page: 12 for IND



FEATURES

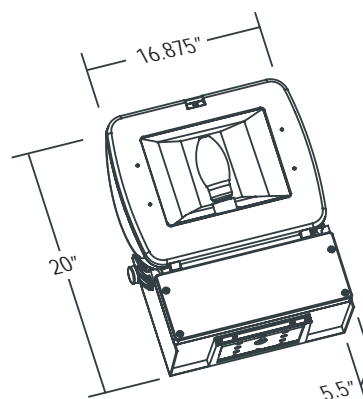
- Durable, corrosion-resistant, die-cast aluminum enclosure with an architectural bronze powder coated finish
- Fully sealed and gasketed, wet location listed
- Corrosion-resistant hardware
- Internal, anodized aluminum reflector provides ideal general 7H x 6V light distribution
- Lamp is protected by a high-impact, heat resistant tempered glass lens
- Available with Metal Halide, Pulse Start Metal Halide or High Pressure Sodium lamps from 100 to 400 watts
- Lamp and optics can be adjusted from 0° to 30°, angle indicator allows for easy aiming

DARKSKY
COMPLIANT

WHEN MOUNTED HORIZONTALLY



DIMENSIONS



Approximate Weight: 25 lbs.
EPA: 1.03

HID LIGHTING

Specifications are subject to change without notice

ORDERING INFORMATION

TL306EX	PSMH	150	MT	T5R	SZ120	PB2-306EX, PBC2-306EX
SERIES	LAMP	WATTS	VOLTS	REFLECTORS	OPTIONS Factory Installed	ACCESSORIES ² Field Installed
TL306EX	MH = Metal Halide PSMH = Pulse Start Metal Halide HPS = High Pressure Sodium	<u>Metal Halide</u> 100 = 100W <u>Pulse Start Metal Halide</u> 150 = 150W 250 = 250W 320 = 320W 350 = 350W 400 = 400W <u>High Pressure Sodium</u> 100 = 100W 150 = 150W 250 = 250W 400 = 400W	MT = 120/208/240/277V 480 = 480V	BLANK = Standard (Included) T5R = IES Type 5 FTR = Forward Throw COR = Cutoff	SZXXX ¹ = Single Line Side Fuse (Specify 120 or 277V) DZXXX ¹ = Double Line Side Fuse (Specify 208, 240 or 480V) USA = Meets Buy America Requirements	PC1 = 120V Photocontrol PC2 = 208-277V Photocontrol PB1-306EX = Pole Bracket (1) Fixture, Square Pole PB2-306EX = Pole Bracket (2) Fixtures at 180°, Square Pole PBC2-306EX = Pole Bracket Cover For Use With PB2-306 PB3-306EX = Pole Bracket (3) Fixtures at 120°, Square Pole PBC3-306EX = Pole Bracket Cover For Use With PB3-306 PB4-306EX = Pole Bracket (4) Fixtures at 90°, Square Pole PBC4-306EX = Pole Bracket Cover For Use With PB4-306 PBCAP-306EX = Pole Bracket Cap For Use With PB Bracket w/o Covers

¹ Specify Voltage
² Order as Separate Line Item



TL401 DIE-CAST ALUMINUM GARAGE/CANOPY LIGHT

See Page: 98 for CF

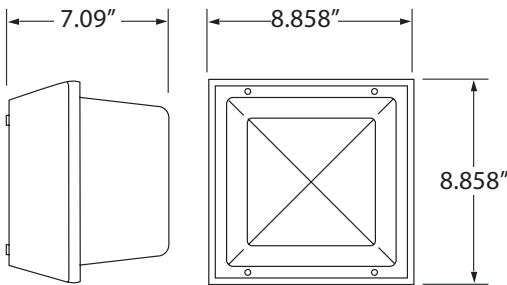


FEATURES

- Durable, corrosion-resistant, die-cast aluminum enclosure with an architectural bronze powder coated finish
- Fully sealed and gasketed, wet location listed
- Corrosion-resistant hardware
- Internal, white enameled steel reflector
- Lamp is protected by a vandal-resistant, UV stabilized polycarbonate prismatic refractor
- Available with Metal Halide or High Pressure Sodium lamps from 35 to 100 watts
- Features a 1/2" NPT entry point for conduit access



DIMENSIONS



Approximate Weight: 12 lbs.

Specifications are subject to change without notice

ORDERING INFORMATION

TL401	MH	70	MT	SZ120	PC1
SERIES	LAMP	WATTS	VOLTS	OPTIONS (Factory Installed)	ACCESSORIES ⁵ (Field Installed)
TL401	MH = Metal Halide HPS = High Pressure Sodium	<u>Metal Halide</u> 50 = 50W 70 = 70W <u>High Pressure Sodium</u> 35 = 35W 50 = 50W 70 = 70W 100 = 100W	120 ¹ = 120V DT ² = 120/277V MT ³ = 120/208/240/277V	SZXXX ⁴ = Single Line Side Fuse (Specify 120 or 277V) DZXXX ⁴ = Double Line Side Fuse (Specify 208, 240, or 480V) USA = Meets Buy America Requirements	PC1 = 120V Photocontrol PC2 = 208-277V Photocontrol RL401 = Replacement Lens

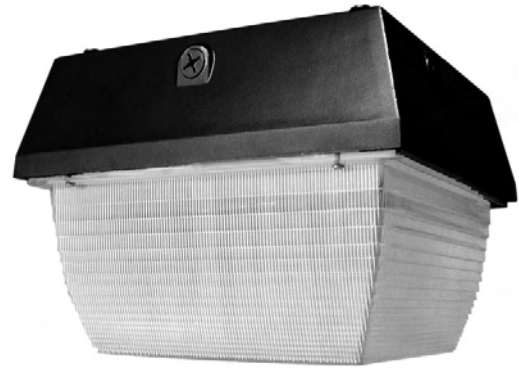
¹ HPS Lamps Only
² 50 Watt MH Lamps Only
³ 70 Watt MH Lamps Only
⁴ Specify Voltage
⁵ Order as Separate Line Item

HID LIGHTING

TL402 LARGE DIE-CAST ALUMINUM GARAGE/CANOPY LIGHT



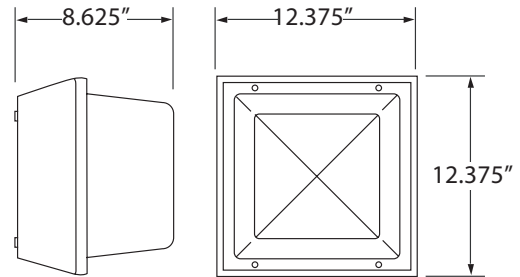
See Page: 13 for IND
99 for CF



FEATURES

- Durable, corrosion-resistant, die-cast aluminum enclosure with an architectural bronze powder coated finish
- Fully sealed and gasketed, wet location listed
- Corrosion-resistant hardware
- Internal, white enameled steel reflector
- Lamp is protected by a vandal-resistant, UV stabilized polycarbonate prismatic refractor
- Available with Metal Halide, Pulse Start Metal Halide or High Pressure Sodium lamps from 35 to 150 watts
- Features a 1/2" NPT entry point for conduit access

DIMENSIONS



Approximate Weight: 18 lbs.

Specifications are subject to change without notice

ORDERING INFORMATION

TL402	MH	70	MT	SZ120	PC1
SERIES	LAMP	WATTS	VOLTS	OPTIONS (Factory Installed)	ACCESSORIES ⁶ (Field Installed)
TL402	MH = Metal Halide PSMH = Pulse Start Metal Halide HPS = High Pressure Sodium	Metal Halide 50 = 50W 70 = 70W 100 = 100W Pulse Start Metal Halide 150 = 150W High Pressure Sodium 35 = 35W 50 = 50W 70 = 70W 100 = 100W 150 = 150W	120 ¹ = 120V DT ² = 120/277V MT ³ = 120/208/240/277V 480 ⁴ = 480V	QR150 = 150W Quartz Restrike SZXXX ⁵ = Single Line Side Fuse (Specify 120 or 277V) DZXXX ⁵ = Double Line Side Fuse (Specify 208, 240, or 480V) USA = Meets Buy America Requirements	PC1 = 120V Photocontrol PC2 = 208-277V Photocontrol QMPA = Quick Mount Pendant Adapter SWPR = Swivel Pendant Mount (Round) SWPS = Swivel Pendant Mount (Square) RL402 = Replacement Lens RL402D = Deep Lens (11.5" Fixture Depth)

¹ HPS Lamps Only
² 50 Watt Lamps Only
³ 70-150 Watt Lamps Only
⁴ 100-150 Watt Lamps Only
⁵ Specify Voltage
⁶ Order as Separate Line Item

TL406 DIE-CAST ALUMINUM GARAGE/CANOPY LIGHT



See Page: 14 for IND
99 for CF

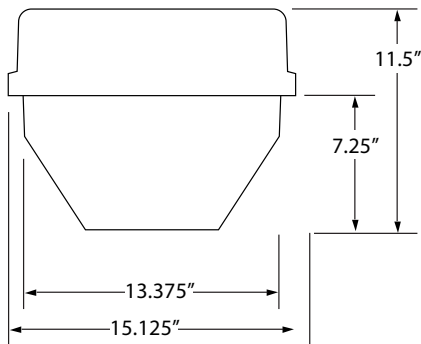


FEATURES

- Durable, corrosion-resistant, die-cast aluminum enclosure with an architectural bronze powder coated finish
- Fully sealed and gasketed, wet location listed
- Corrosion-resistant hardware
- Internal, white enameled steel reflector
- Lamp is protected by a vandal-resistant, UV stabilized polycarbonate prismatic refractor
- Available with Metal Halide, Pulse Start Metal Halide or High Pressure Sodium lamps from 50 to 150 watts
- Features a 1/2" NPT entry points for conduit access



DIMENSIONS



Approximate Weight: 15 lbs.

Specifications are subject to change without notice

ORDERING INFORMATION

TL406	MH	100	MT	SZ120	QMPA & SWPS
SERIES	LAMP	WATTS	VOLTS	OPTIONS (Factory Installed)	ACCESSORIES ⁴ (Field Installed)
TL406	MH = Metal Halide PSMH = Pulse Start Metal Halide HPS = High Pressure Sodium	Metal Halide 50 = 50W 70 = 70W 100 = 100W Pulse Start Metal Halide 150 = 150W High Pressure Sodium 70 = 70W 100 = 100W 150 = 150W	120 ¹ = 120V MT = 120/208/240/277V 480 ² = 480V	QR150 = 150W Quartz Restrike SZXXX ³ = Single Line Side Fuse (Specify 120 or 277V) DZXXX ³ = Double Line Side Fuse (Specify 208, 240, or 480V) USA = Meets Buy America Requirements	QMPA = Quick Mount Pendant Adapter PMJB = Offset Pendant Mount J-Box SWPR = Swivel Pendant Mount (Round) SWPS = Swivel Pendant Mount (Square) RL406 = Replacement Lens

¹ HPS Lamps Only
² 100-150 Watt Lamps Only
³ Specify Voltage
⁴ Order as Separate Line Item

TL407 DIE-CAST ALUMINUM GARAGE/CANOPY LIGHT



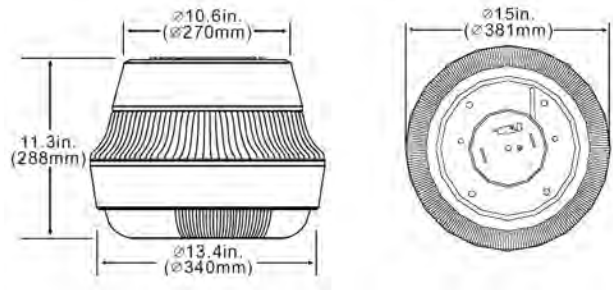
See Page: 101 for CF

FEATURES

- Durable, corrosion-resistant, die-cast aluminum enclosure with a white powder coated finish
- IP65 rated enclosure is fully sealed and gasketed, and wet location listed for covered ceiling mount
- Corrosion-resistant hardware
- Internal, white enameled steel reflector
- Lamp(s) are protected by a UV stabilized, vandal-resistant, acrylic prismatic refractors
- Available with Metal Halide, Pulse Start Metal Halide or High Pressure Sodium lamps from 50 to 200 watts
- Includes a mounting plate for easy, hands-free wiring
- An optional offset pendant mount J-Box is also available



DIMENSIONS



Approximate Weight: 17 lbs.

Specifications are subject to change without notice

ORDERING INFORMATION

TL407	PSMH	150	MT	DZ240	TS
SERIES	LAMP	WATTS	VOLTS	OPTIONS (Factory Installed)	ACCESSORIES ¹ (Field Installed)
TL407	MH = Metal Halide PSMH = Pulse Start Metal Halide HPS = High Pressure Sodium	<u>Metal Halide</u> 50 = 50W 70 = 70W 100 = 100W <u>Pulse Start Metal Halide</u> 150 = 150W 175 = 175W 200 = 200W <u>High Pressure Sodium</u> 50 = 50W 70 = 70W 100 = 100W 150 = 150W	DT ¹ = 120/277V MT ² = 120/208/240/277V 480 = 480V	AUX55 = Auxillary 55W Circline Lamp QR150 = 150W Quartz Restrike FR55 = 55W Circline Fluorescent Restrike SZXXX ³ = Single Line Side Fuse (Specify 120 or 277V) DZXXX ³ = Double Line Side Fuse (Specify 208, 240, or 480V) USA = Meets Buy America Requirements	RLT407 = Replacement Upper Lens RLB407 = Replacement Lower Lens TS = Tamper Proof Screws PMJB407 = Offset Pendant Mount J-Box

¹ 50 Watt HPS Only
² Not Available on 50 Watt HPS
³ Specify Voltage
⁴ Order as Separate Line Item

HID LIGHTING

TL408 DIE-CAST ALUMINUM GARAGE/CANOPY LIGHT



See Page: 16 for IND
102 for CF

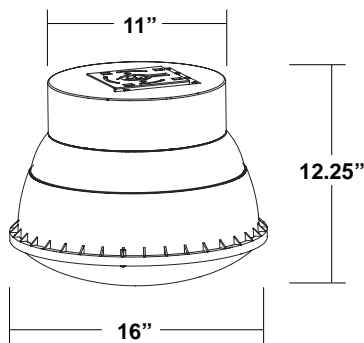


FEATURES

- Durable, corrosion-resistant, die-cast aluminum enclosure with an architectural bronze powder coated finish
- Enclosure is listed for covered ceiling mount
- Corrosion-resistant hardware
- Features a two-piece aluminum reflector, the upper reflector can be removed to create an attractive uplight
- Lamp(s) are protected by a UV stabilized, vandal-resistant, polycarbonate prismatic refractor
- Available with Metal Halide, Pulse Start Metal Halide or High Pressure Sodium lamps from 50 to 150 watts
- Includes a mounting plate for easy, hands-free wiring to any standard 4" junction box



DIMENSIONS



Approximate Weight: 17 lbs.

Specifications are subject to change without notice

ORDERING INFORMATION

TL408	PSMH	150	MT	DZ208	PMJB
SERIES	LAMP	WATTS	VOLTS	OPTIONS (Factory Installed)	ACCESSORIES ⁶ (Field Installed)
TL408	MH = Metal Halide PSMH = Pulse Start Metal Halide HPS = High Pressure Sodium	Metal Halide 50 = 50W 70 = 70W 100 = 100W Pulse Start Metal Halide 150 = 150W High Pressure Sodium 70 = 70W 100 = 100W 150 = 150W	120 ¹ = 120V DT ² = 120/277V MT ³ = 120/208/240/277V 480 ⁴ = 480V	QR150 = 150W Quartz Restrike SZXXX ⁵ = Single Line Side Fuse (Specify 120 or 277V) DZXXX ⁵ = Double Line Side Fuse (Specify 208, 240, or 480V) USA = Meets Buy America Requirements	PMJB = Offset Pendant Mount J-Box RL408 = Replacement Lens

¹ HPS Lamps Only
² 50 Watt MH Lamps Only
³ 70-150 Watt Lamps Only
⁴ 100-150 Watt Lamps Only
⁵ Specify Voltage
⁶ Order as Separate Line Item

HID LIGHTING

TL501 16" OR 22" ALUMINUM REFLECTOR HIGH BAY LIGHTING



See Page: 17 for IND

FEATURES

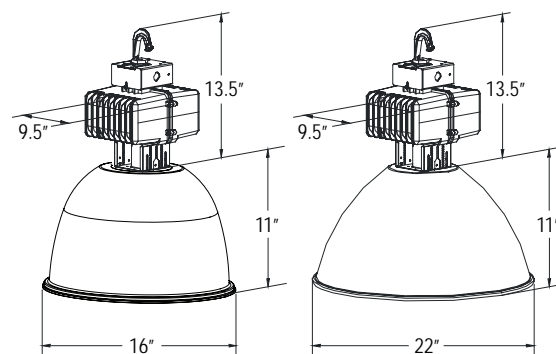
- Durable, corrosion-resistant, die-cast aluminum ballast enclosure with a white powder coated finish
- Features external, heat-dissipating fins to extend ballast life
- Spun anodized aluminum 16" or 22" reflector provides smooth even illumination
- Available with Pulse Start Metal Halide or High Pressure Sodium lamps from 250 to 400 watts
- Easy-access wiring compartment, and comes complete with mounting hook
- Pulse Start Metal Halide units are supplied standard with open-rated lamps and EX39 "Pink" mogul sockets



OPEN RATED SOCKET INCLUDED!



DIMENSIONS



Approximate Weight: 22 lbs

Specifications are subject to change without notice

HID LIGHTING

ORDERING INFORMATION

TL501	16	PSMH	250	MT	SZ120-UNI
SERIES	REFLECTOR	LAMP	WATTS	VOLTS	OPTIONS (Factory Installed)
TL501	16 = 16" Aluminum Reflector 22 = 22" Aluminum Reflector	PSMH = Pulse Start Metal Halide HPS = High Pressure Sodium	Pulse Start Metal Halide 250 = 250W 320 = 320W 350 = 350W 400 = 400W High Pressure Sodium 250 = 250W 400 = 400W	MT = 120/208/240277V 480 = 480V	
					UNI = Unit Pack, Puts All Components for (1) Fixture Into a Single Carton QR150 = 150W Quartz Restrike SZXXX ¹ = Single Line Side Fuse (Specify 120 or 277V) DZXXX ¹ = Double Line Side Fuse (Specify 208, 240 or 480V) LC3 = 3' Cord LC3120 = 3' Cord w/120V Straight Blade Plug LC3120L = 3' Cord w/120V Twist Plug LC3250L = 3' Cord w/250V Twist Plug LC3277L = 3' Cord w/277V Twist Plug USA = Meets Buy America Requirements

LC3120L
ACCESSORIES ³ (Field Installed)
SWPS500 = Swivel Pendant Mount (Square Box) SWPR500 = Swivel Pendant Mount (Round Box) ALR50016 = 16" Replacement Aluminum Reflector ALR50022 = 22" Replacement Aluminum Reflector WG50016 = 16" Wire Guard (Requires CB50016) WG50022 = 22" Wire Guard (Requires CB50022) FA50016 ² = 16" Flat Acrylic Lens (Requires CB50016) FA50022 = 22" Flat Acrylic Lens (Requires CB50022) FG50016 ² = 16" Flat Glass Lens w/Gasket (Requires CB50016) FG50022 = 22" Flat Glass Lens w/Gasket (Requires CB50022) CA50016 ² = 16" Conical Acrylic Lens (Requires CB50016) CA50022 = 22" Conical Acrylic Lens (Requires CB50022) DL50016 ² = 16" Acrylic Drop Lens (Requires CB50016) DL50022 = 22" Acrylic Drop Lens (Requires CB50022) CB50016 = 16" Tool-Less Clamp Band CB50022 = 22" Tool-Less Clamp Band LC3 = 3' Cord LC3120 = 3' Cord w/120V Straight Blade Plug LC3120L = 3' Cord w/120V Twist Plug LC3250L = 3' Cord w/250V Twist Plug LC3277L = 3' Cord w/277V Twist Plug SFC500 = Safety Cable

¹ Specify Voltage
² 250 Watt Max
³ Order as Separate Line Item

OPEN RATED SOCKET INCLUDED!



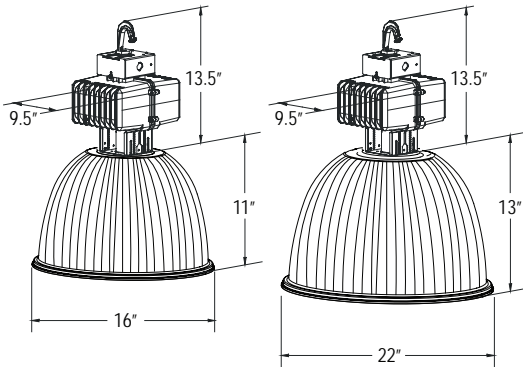
TL502 16" OR 22" ACRYLIC REFRACTOR HIGH BAY LIGHTING



FEATURES

- Durable, corrosion-resistant, die-cast aluminum ballast enclosure with a white powder coated finish
- Features either external, heat-dissipating fins to extend ballast life
- Prismatic acrylic 16" or 22" refractor provides smooth, even illumination
- Available with Pulse Start Metal Halide or High Pressure Sodium lamps from 250 to 400 watts
- Easy-access wiring compartment, and comes complete with mounting hook
- Pulse Start Metal Halide units are supplied standard with open-rated lamps and EX39 "Pink" mogul sockets

DIMENSIONS



Approximate Weight: 25 lbs

Specifications are subject to change without notice

ORDERING INFORMATION

TL502	16	PSMH	250	MT	SZ120-UNI	LC3120L
SERIES	REFRACTOR	LAMP	WATTS	VOLTS	OPTIONS (Factory Installed)	ACCESSORIES ³ (Field Installed)
TL502	16 = 16" Acrylic Refractor 22 = 22" Acrylic Refractor	PSMH = Pulse Start Metal Halide HPS = High Pressure Sodium	Pulse Start Metal Halide 250 = 250W 320 = 320W 350 = 350W 400 = 400W High Pressure Sodium 250 = 250W 400 = 400W	MT = 120/208/240/277V 480 = 480V		SWPS500 = Swivel Pendant Mount (Square Box) SWPR500 = Swivel Pendant Mount (Round Box) ACR50016 = 16" Replacement Acrylic Refractor ACR50022 = 22" Replacement Acrylic Refractor WG50016 = 16" Wire Guard (Requires CB50016) WG50022 = 22" Wire Guard (Requires CB50022) FA50016 ² = 16" Flat Acrylic Lens (Requires CB50016) FA50022 = 22" Flat Acrylic Lens (Requires CB50022) CA50016 ² = 16" Conical Acrylic Lens (Requires CB50016) CA50022 = 22" Conical Acrylic Lens (Requires CB50022) DL50016 ² = 16" Acrylic Drop Lens (Requires CB50016) DL50022 = 22" Acrylic Drop Lens (Requires CB50022) CB50016 = 16" Tool-Less Clamp Band CB50022 = 22" Tool-Less Clamp Band LC3 = 3' Cord LC3120 = 3' Cord w/120V Straight Blade Plug LC3120L = 3' Cord w/120V Twist Plug LC3250L = 3' Cord w/250V Twist Plug LC3277L = 3' Cord w/277V Twist Plug SFC500 = Safety Cable
					UNI = Unit Pack, Puts All Components for (1) Fixture Into a Single Carton QR150 = 150W Quartz Restrike SZXXX ¹ = Single Line Side Fuse (Specify 120 or 277V) DZXXX ¹ = Double Line Side Fuse (Specify 208, 240 or 480V) LC3 = 3' Cord LC3120 = 3' Cord w/120V Straight Blade Plug LC3120L = 3' Cord w/120V Twist Plug LC3250L = 3' Cord w/250V Twist Plug LC3277L = 3' Cord w/277V Twist Plug USA = Meets Buy America Requirements	

¹ Specify Voltage
² 250 Watt Max
³ Order as Separate Line Item

TL504 16" OR 22" ALUMINUM REFLECTOR LOW BAY LIGHTING

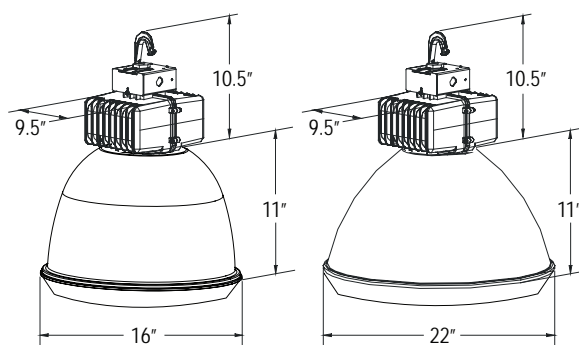


FEATURES

- Durable, corrosion-resistant, die-cast aluminum ballast enclosure with a white powder coated finish
- Features either external, heat-dissipating fins to extend ballast life
- Spun anodized aluminum 16" or 22" reflector and acrylic drop lens provide smooth even illumination
- Includes 3" acrylic drop lens and clamp band
- Available with Pulse Start Metal Halide or High Pressure Sodium lamps from 250 to 400 watts and standard mogul base socket
- Easy-access wiring compartment, and comes complete with mounting hook



DIMENSIONS



Approximate Weight: 30 lbs

Specifications are subject to change without notice

HID LIGHTING

ORDERING INFORMATION

TL504	16	PSMH	250	MT	SZ120-UNI
SERIES	REFLECTOR	LAMP	WATTS	VOLTS	OPTIONS (Factory Installed)
TL504	16 = 16" Aluminum Reflector 22 = 22" Aluminum Reflector	PSMH = Pulse Start Metal Halide HPS = High Pressure Sodium	Pulse Start Metal Halide 250 = 250W 320 ¹ = 320W 350 ¹ = 350W 400 ¹ = 400W High Pressure Sodium 250 = 250W 400 ¹ = 400W	MT = 120/208/240277V 480 = 480V	
					UNI = Unit Pack, Puts All Components for (1) Fixture Into a Single Carton QR150 = 150W Quartz Restrike SZXXX ² = Single Line Side Fuse (Specify 120 or 277V) DZXXX ² = Double Line Side Fuse (Specify 208, 240 or 480V) LC3 = 3' Cord LC3120 = 3' Cord w/120V Straight Blade Plug LC3120L = 3' Cord w/120V Twist Plug LC3250L = 3' Cord w/250V Twist Plug LC3277L = 3' Cord w/277V Twist Plug USA = Meets Buy America Requirements

LC3120L
ACCESSORIES ⁴ (Field Installed)
SWPS500 = Swivel Pendant Mount (Square Box)
SWPR500 = Swivel Pendant Mount (Round Box)
ALR50016 = 16" Replacement Aluminum Reflector
ALR50022 = 22" Replacement Aluminum Reflector
WG50016 = 16" Wire Guard (Requires CB50016)
WG50022 = 22" Wire Guard (Requires CB50022)
FA50016 ³ = 16" Flat Acrylic Lens (Requires CB50016)
FA50022 = 22" Flat Acrylic Lens (Requires CB50022)
FG50016 ³ = 16" Flat Glass Lens w/Gasket (Requires CB50016)
FG50022 = 22" Flat Glass Lens w/Gasket (Requires CB50022)
CA50016 ³ = 16" Conical Acrylic Lens (Requires CB50016)
CA50022 = 22" Conical Acrylic Lens (Requires CB50022)
DL50016 ³ = 16" Replacement Acrylic Drop Lens
DL50022 = 22" Replacement Acrylic Drop Lens
CB50016 = 16" Tool-Less Clamp Band
CB50022 = 22" Tool-Less Clamp Band
LC3 = 3' Cord
LC3120 = 3' Cord w/120V Straight Blade Plug
LC3120L = 3' Cord w/120V Twist Plug
LC3250L = 3' Cord w/250V Twist Plug
LC3277L = 3' Cord w/277V Twist Plug
SFC500 = Safety Cable

¹ Not Available on 16" Reflectors

² Specify Voltage

³ 250 Watt Max

⁴ Order as Separate Line Item



TL505 16" OR 22" ACRYLIC REFLECTOR LOW BAY LIGHTING

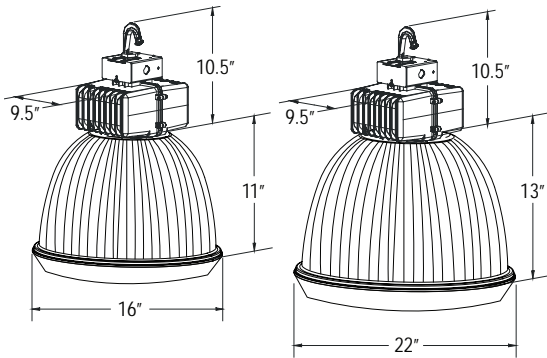


FEATURES

- Durable, corrosion-resistant, die-cast aluminum ballast enclosure with a white powder coated finish
- Features either external, heat-dissipating fins to extend ballast life
- Prismatic acrylic 16" or 22" refractor and acrylic drop lens provide smooth even illumination
- Includes 3" acrylic drop lens and clamp band
- Available with Pulse Start Metal Halide or High Pressure Sodium lamps from 250 to 400 watts and standard mogul base socket
- Easy-access wiring compartment, and comes complete with mounting hook



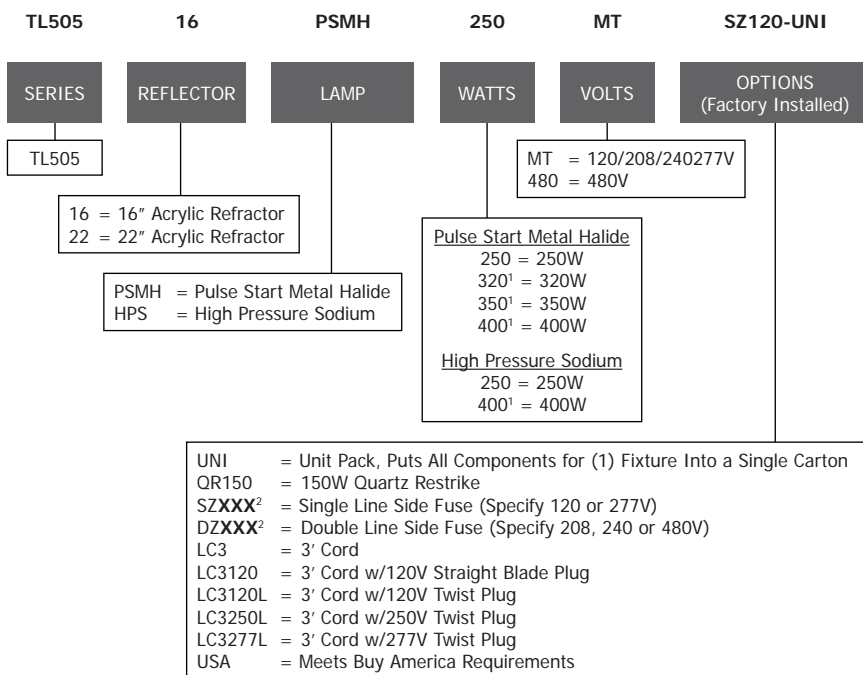
DIMENSIONS



Approximate Weight: 33 lbs

Specifications are subject to change without notice

ORDERING INFORMATION



LC3120L	
ACCESSORIES ⁴ (Field Installed)	
SWPS500	= Swivel Pendant Mount (Square Box)
SWPR500	= Swivel Pendant Mount (Round Box)
ALR50016	= 16" Replacement Acrylic Refractor
ALR50022	= 22" Replacement Acrylic Refractor
WG50016	= 16" Wire Guard (Requires CB50016)
WG50022	= 22" Wire Guard (Requires CB50022)
FA50016 ³	= 16" Flat Acrylic Lens (Requires CB50016)
FA50022	= 22" Flat Acrylic Lens (Requires CB50022)
CA50016 ³	= 16" Conical Acrylic Lens (Requires CB50016)
CA50022	= 22" Conical Acrylic Lens (Requires CB50022)
DL50016 ³	= 16" Replacement Acrylic Drop Lens
DL50022	= 22" Replacement Acrylic Drop Lens
CB50016	= 16" Tool-Less Clamp Band
CB50022	= 22" Tool-Less Clamp Band
LC3	= 3' Cord
LC3120	= 3' Cord w/120V Straight Blade Plug
LC3120L	= 3' Cord w/120V Twist Plug
LC3250L	= 3' Cord w/250V Twist Plug
LC3277L	= 3' Cord w/277V Twist Plug
SFC500	= Safety Cable

¹ Not Available on 16" Reflectors

² Specify Voltage

³ 250 Watt Max

⁴ Order as Separate Line Item

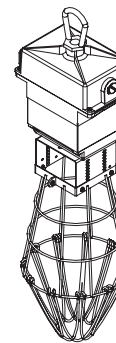
TL506 TEMPORARY WORK LIGHT LOW BAY LIGHTING



FEATURES

- Durable, corrosion-resistant, die-cast aluminum ballast enclosure with a white powder coated finish
- Features either external, heat-dissipating fins or leaves the ballast core exposed to extend ballast life
- Available with Pulse Start Metal Halide or High Pressure Sodium lamps from 250 to 400 watts
- Easy-access wiring compartment, and comes complete with mounting hook

DIMENSIONS



7.5" W x 4.25" D
X 26" H

Approximate Weight: 15 lbs

Specifications are subject to change without notice

ORDERING INFORMATION

TL506	PSMH	250	MT	SZ120	LC3120L
SERIES	LAMP	WATTS	VOLTS	OPTIONS (Factory Installed)	ACCESSORIES ² (Field Installed)
TL506	PSMH = Pulse Start Metal Halide HPS = High Pressure Sodium	<u>Pulse Start Metal Halide</u> 250 = 250W 320 = 320W 350 = 350W 400 = 400W <u>High Pressure Sodium</u> 250 = 250W 400 = 400W	MT = 120/208/240/277V 480 = 480V	OR = Open Rated (Pink) Socket SZXXX ¹ = Single Line Side Fuse (Specify 120 or 277V) DZXXX ¹ = Double Line Side Fuse (Specify 208, 240 or 480V) LC3 = 3' Cord LC3120 = 3' Cord w/120V Straight Blade Plug LC3120L = 3' Cord w/120V Twist Plug LC3250L = 3' Cord w/250V Twist Plug LC3277L = 3' Cord w/277V Twist Plug	SWPS500 = Swivel Pendant Mount (Square Box) SWPR500 = Swivel Pendant Mount (Round Box) WG500 = Replacement Wire Guard LC3 = 3' Cord LC3120 = 3' Cord w/120V Straight Blade Plug LC3120L = 3' Cord w/120V Twist Plug LC3250L = 3' Cord w/250V Twist Plug LC3277L = 3' Cord w/277V Twist Plug SFC500 = Safety Cable

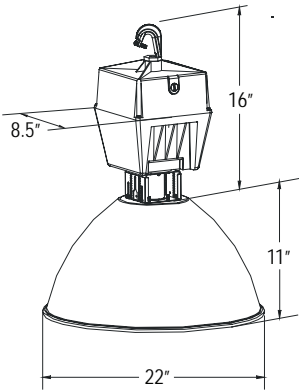
¹ Specify Voltage
² Order as Separate Line Item

HID LIGHTING

OPEN RATED SOCKET INCLUDED!



DIMENSIONS



Approximate Weight: 25 lbs

Specifications are subject to change without notice

ORDERING INFORMATION

TL507	22	PSMH	450	MT	SZ120-UNI
SERIES	REFLECTOR	LAMP	WATTS	VOLTS	OPTIONS (Factory Installed)
TL507	22 = 22" Aluminum Reflector	MH = Metal Halide PSMH = Pulse Start Metal Halide HPS = High Pressure Sodium	Metal Halide 1000 = 1000W Pulse Start Metal Halide 450 = 450W 750 = 750W 1000 = 1000W High Pressure Sodium 1000 = 1000W	MT = 120/208/240/277V 480 = 480V	
UNI = Unit Pack, Puts All Components for (1) Fixture Into a Single Carton QR150 = 150W Quartz Restrike SZXXX ¹ = Single Line Side Fuse (Specify 120 or 277V) DZXXX ¹ = Double Line Side Fuse (Specify 208, 240 or 480V) LC3 = 3' Cord LC3120 = 3' Cord w/120V Straight Blade Plug LC3120L = 3' Cord w/120V Twist Plug LC3250L = 3' Cord w/250V Twist Plug LC3277L = 3' Cord w/277V Twist Plug USA = Meets Buy America Requirements					

LC3120L
ACCESSORIES ² (Field Installed)
SWPS500 = Swivel Pendant Mount (Square Box) SWPR500 = Swivel Pendant Mount (Round Box) ALR50022 = 22" Replacement Aluminum Reflector WG50022 = 22" Wire Guard (Requires CB50022) FA50022 = 22" Flat Acrylic Lens (Requires CB50022) FG50022 = 22" Flat Glass Lens w/Gasket (Requires CB50022) CA50022 = 22" Conical Acrylic Lens (Requires CB50022) DL50022 = 22" Acrylic Drop Lens (Requires CB50022) CB50022 = 22" Tool-Less Clamp Band LC3 = 3' Cord LC3120 = 3' Cord w/120V Straight Blade Plug LC3120L = 3' Cord w/120V Twist Plug LC3250L = 3' Cord w/250V Twist Plug LC3277L = 3' Cord w/277V Twist Plug SFC500 = Safety Cable

¹ Specify Voltage
² Order as Separate Line Item

TL507 22" ALUMINUM REFLECTOR HIGH BAY LIGHTING

See Page: 18 for IND



FEATURES

- Durable, corrosion-resistant, die-cast aluminum ballast enclosure with a white powder coated finish
- Features either external, heat-dissipating fins to extend ballast life
- Spun anodized aluminum 22" reflector provides smooth even illumination
- Available with Metal Halide, Pulse Start Metal Halide or High Pressure Sodium lamps from 450 to 1000 watts and standard mogul base socket
- Easy-access wiring compartment, and comes complete with mounting hook

TL603 DIE-CAST ALUMINUM ROADWAY LIGHTING

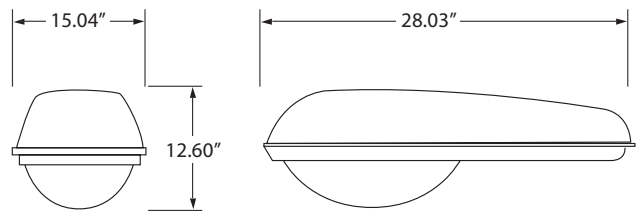


FEATURES

- Durable, corrosion-resistant, die-cast aluminum enclosure with a gray, powder coated finish
- Lamp is protected by a heat and impact-resistant borosilicate glass refractor, or a clear tempered flat glass lens
- Available with Pulse Start Metal Halide or High Pressure Sodium lamps from 150 to 250 watts
- Internal anodized aluminum reflector provides ideal 7H x 7V light distribution
- Mounts to standard 2" tenon



DIMENSIONS

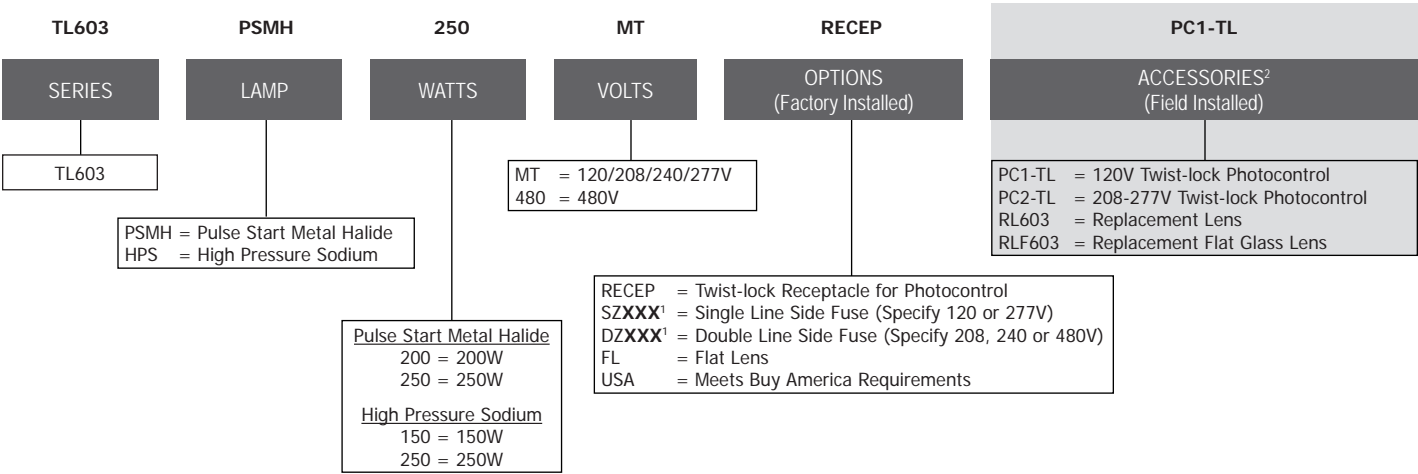


Approximate Weight: 20 lbs
 EPA: 1.3 With Drop Lens
 1.2 With Flat Lens

HID LIGHTING

Specifications are subject to change without notice

ORDERING INFORMATION



¹ Specify Voltage
² Order as Separate Line Item

TL604 DIE-CAST ALUMINUM ROADWAY LIGHTING

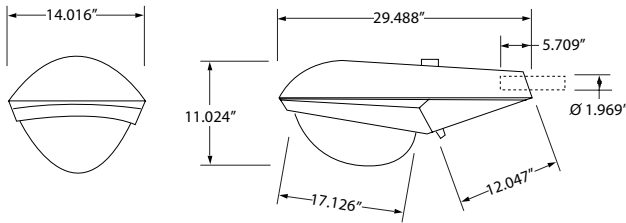


FEATURES

- Durable, corrosion-resistant, die-cast aluminum enclosure with a gray, powder coated finish
- Lamp is protected by a heat and impact-resistant borosilicate glass refractor, or a clear tempered flat glass lens
- Available with Pulse Start Metal Halide or High Pressure Sodium lamps from 200 to 400 watts
- Internal anodized aluminum reflector provides ideal 6H x 5V light distribution
- Mounts to standard 2" tenon



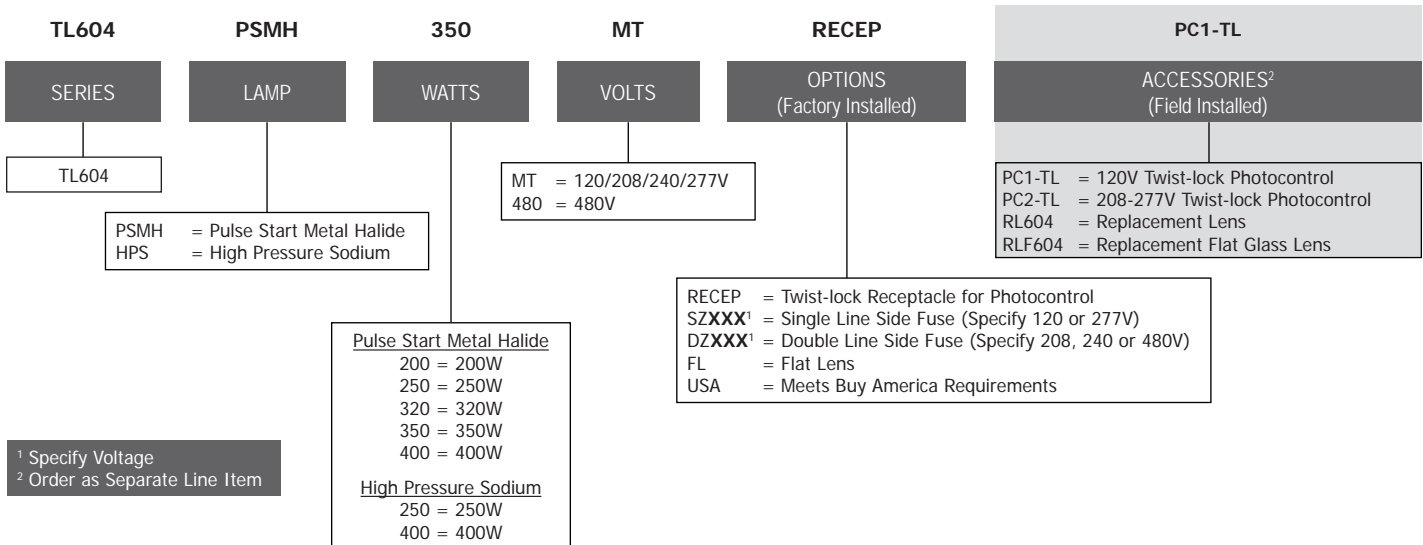
DIMENSIONS



Approximate Weight: 30 lbs
 EPA: 1.67 With Drop Lens
 1.24 With Flat Lens

Specifications are subject to change without notice

ORDERING INFORMATION



¹ Specify Voltage
² Order as Separate Line Item

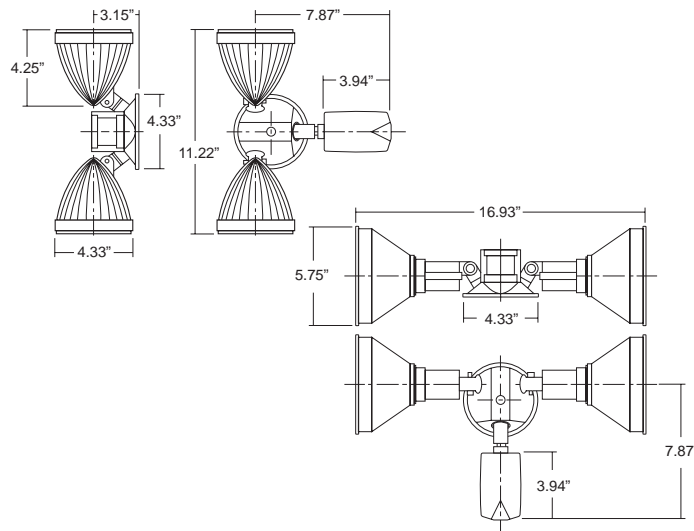
TL610 DUSK TO DAWN SECURITY LIGHTING WITH MOTION SENSOR



FEATURES

- Durable die-cast aluminum mounting plate and lamp heads
- Gasketed and mounting hardware included
- Enclosure and hardware are corrosion resistant
- Impact-resistant tempered glass lens
- 180° motion sensor with durable polycarbonate housing has adjustable sensitivity, duration and range (manual override included)
- Includes photocell for dependable dusk to dawn operation
- Simple installation to any 4" round J-box
- Available with (2) 150W PAR38 Incandescent lamps, or 100W or 200W quartz halogen lamps in (1) or (2) lamp configurations

DIMENSIONS



Specifications are subject to change without notice

ORDERING INFORMATION

TL610	Q1100	120	BR
SERIES	SERIES	VOLTS	HOUSING COLOR
TL610	I2150 ¹ = (2) x 150W Max PAR38 Incandescent Lamps Q1100 ² = (1) x 100W Max Quartz Halogen Lamp Q2100 ² = (2) x 100W Max Quartz Halogen Lamps Q1200 ² = (1) x 200W Max Quartz Halogen Lamp Q2200 ² = (2) x 200W Max Quartz Halogen Lamps	120 = 120V	BR = Bronze

¹ Lamps Not Included
² Lamps Included

HID LIGHTING

TL701 43" DOME TOP ALUMINUM BOLLARDS IES TYPE 3 & 5



See Page: 104 for CF

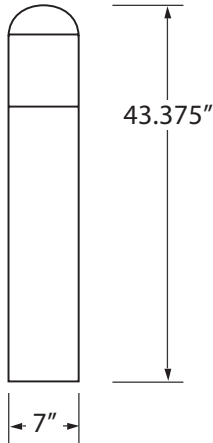


FEATURES

- Durable, extruded aluminum enclosure available with white, black or bronze powder coated finish
- Enclosure is fully sealed and gasketed, and wet location listed
- Enclosure and hardware are corrosion resistant
- Available with a choice of IES Type 3 or Type 5 prismatic, borosilicate glass refractors
- Lamps and optics are protected by a high-impact, UV stabilized polycarbonate lens
- Available with Metal Halide or High Pressure Sodium lamps from 35 to 100 watts



DIMENSIONS



Specifications are subject to change without notice

ORDERING INFORMATION

TL701	MH	70	3	MT	WH	USA
SERIES	LAMP	WATTS	REFRACTOR	VOLTS	COLOR	OPTIONS (Factory Installed)
TL701	MH = Metal Halide HPS = High Pressure Sodium	<u>Metal Halide</u> 50 = 50W 70 = 70W 100 = 100W <u>High Pressure Sodium</u> 35 = 35W 50 = 50W 70 = 70W 100 = 100W	3 = IES Type 3 Refractor 5 = IES Type 5 Refractor	120 ¹ = 120V DT ² = 120/277V MT ³ = 120/208/240/277V	Blank = Bronze WH = White BL = Black	SZXXX ¹ = Single Line Side Fuse (Specify 120 or 277V) DZXXX ¹ = Double Line Side Fuse (Specify 208, 240 or 480V) USA = Meets Buy America Requirements

¹ HPS Lamps Only
² 50W MH and HPS Lamps Only
³ 70-100W Lamps Only
⁴ Order as Separate Line Item

MK700-8
ACCESSORIES ⁴ (Field Installed)
MK700-4 = Replacement Mntg Kit, Brkt & 4" Anchor Bolts (Inc. Standard)
MK700-8 = Mounting Kit, Brkt & 8" Anchor Bolts
MK700-12 = Mounting Kit, Brkt & 12" Anchor Bolts
MK700-15 = Mounting Kit, Brkt & 15" Anchor Bolts
RL700 = Replacement Polycarbonate Lens

TL702 43" DOME TOP ALUMINUM BOLLARDS FIXED INTERNAL REFLECTOR/LOUVRES



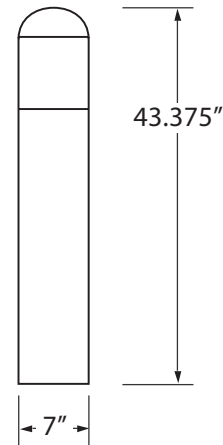
See Page: 105 for CF

FEATURES

- Durable, extruded aluminum enclosure available with white, black or bronze powder coated finish
- Enclosure is fully sealed and gasketed, and wet location listed
- Enclosure and hardware are corrosion resistant
- Available with a choice of fixed internal louvres or fixed internal reflector
- Lamps and optics are protected by a high-impact, UV stabilized polycarbonate lens
- Available with Metal Halide or High Pressure Sodium lamps from 35 to 100 watts



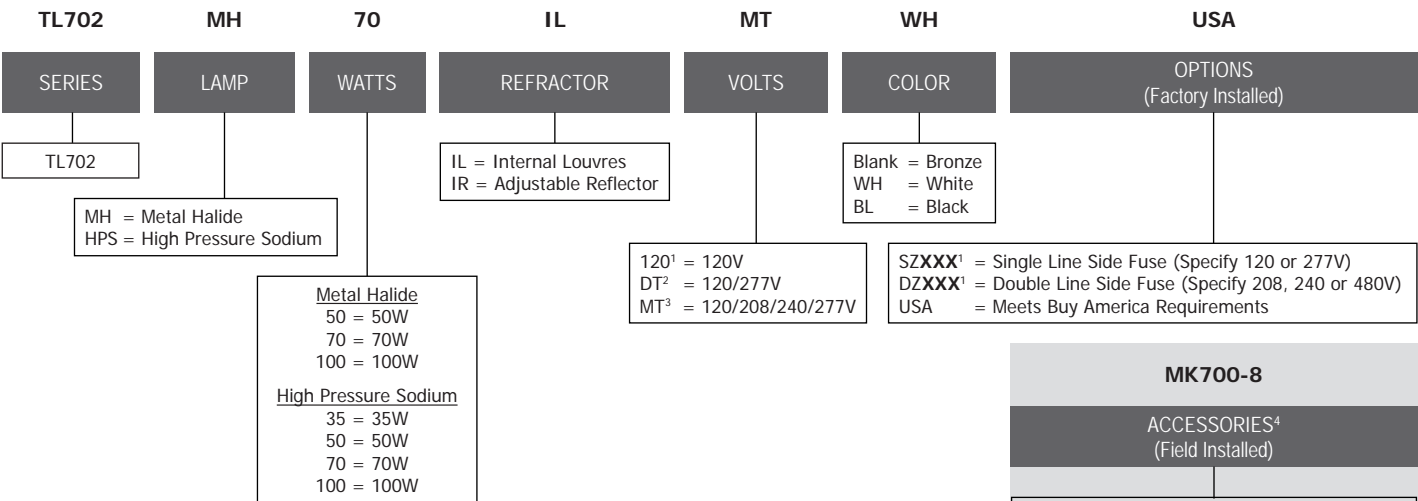
DIMENSIONS



HID LIGHTING

Specifications are subject to change without notice

ORDERING INFORMATION



¹ HPS Lamps Only
² 50W MH and HPS Lamps Only
³ 70-100W MH and HPS Lamps Only
⁴ Order as Separate Line Item

MK700-8
ACCESSORIES ⁴ (Field Installed)
MK700-4 = Replacement Mntg Kit, Brkt & 4" Anchor Bolts (Inc. Standard)
MK700-8 = Mounting Kit, Brkt & 8" Anchor Bolts
MK700-12 = Mounting Kit, Brkt & 12" Anchor Bolts
MK700-15 = Mounting Kit, Brkt & 15" Anchor Bolts
RL700 = Replacement Polycarbonate Lens



TL704 43" FLAT TOP ALUMINUM BOLLARDS FIXED INTERNAL REFLECTOR/LOUVRES



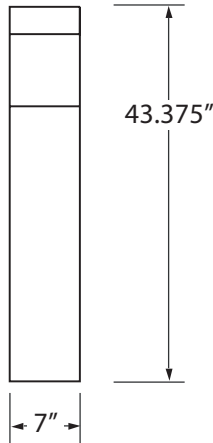
See Page: 106 for CF

FEATURES

- Durable, extruded aluminum enclosure available with white, black or bronze powder coated finish
- Enclosure is fully sealed and gasketed, and wet location listed
- Enclosure and hardware are corrosion resistant
- Available with a choice of fixed internal louvres or fixed internal reflector
- Lamps and reflectors are protected by a high-impact, UV stabilized polycarbonate lens
- Available with Metal Halide or High Pressure Sodium lamps from 35 to 100 watts

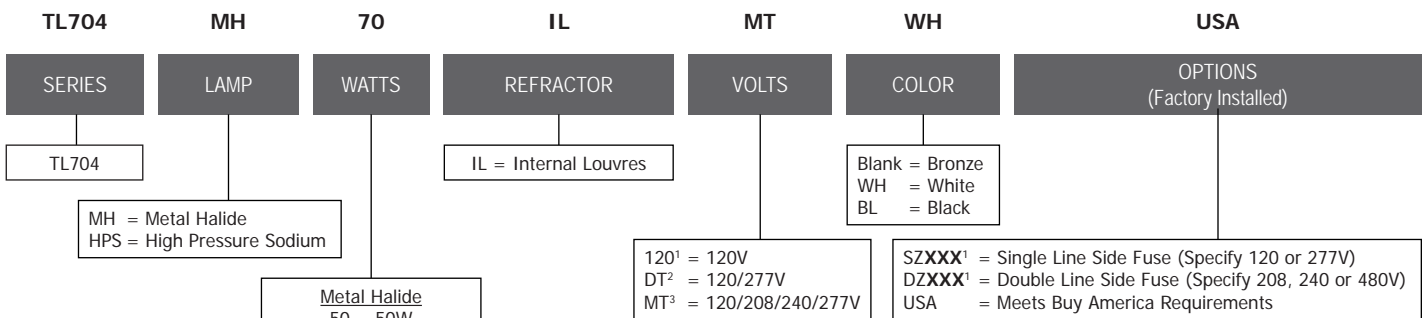


DIMENSIONS



Specifications are subject to change without notice

ORDERING INFORMATION



¹ HPS Lamps Only
² 50W MH and HPS Lamps Only
³ 70-100W MH and HPS Lamps Only
⁴ Order as Separate Line Item

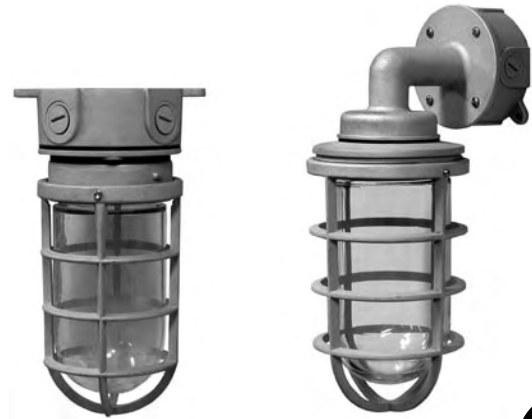
MK700-8
ACCESSORIES ⁴ (Field Installed)
MK700-4 = Replacement Mntg Kit, Brkt & 4" Anchor Bolts (Inc. Standard)
MK700-8 = Mounting Kit, Brkt & 8" Anchor Bolts
MK700-12 = Mounting Kit, Brkt & 12" Anchor Bolts
MK700-15 = Mounting Kit, Brkt & 15" Anchor Bolts
RL700 = Replacement Polycarbonate Lens

TL801 INCANDESCENT SECURITY LIGHTING VAPORPROOF

See Page: 72 for HID
107 for CF

FEATURES

- Heavy duty, die-cast aluminum housing with a paintable textured grey powdercoated finish
- UL Listed for wet locations and complies with UL Standard 1598 for non-hazardous locations
- Lamp is protected by a heat and impact resistant clear glass globe standard
- Frosted glass globe available
- Medium base socket rated for 600VAC 660W
- Available in wall mount, ceiling mount and pendant mount styles
- A weatherproof junction box with 3/4" NPT hubs and rugged mounting tabs is included
- Full line of accessories with matching grey textured powdercoated finish is available



TL801-1B

TL801-1W



DIMENSIONS

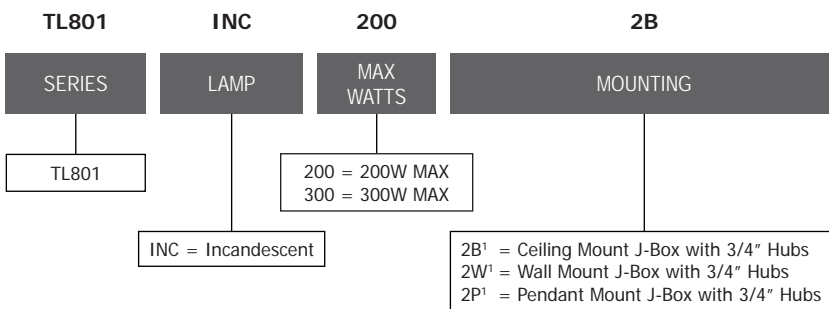
MOUNTING	WATTS	STYLE	WIDTH	HEIGHT *	DEPTH
2B	200	3/4" BOX	4 1/4"	9 3/8"	4 1/4"
2B	300	3/4" BOX	5 5/8"	11 1/2"	5 5/8"
2W	200	3/4" BOX	4 1/4"	12 1/2"	7 1/8"
2W	300	3/4" BOX	5 5/8"	14 1/2"	7 1/2"

* Height of wall mount is from top edge of the wall plate to the bottom of guard.

HID LIGHTING

Specifications are subject to change without notice

ORDERING INFORMATION



- ¹ 1/2" Hub Reducer Included
- ² Ceiling & Pendant Mount Units Only
- ³ Order as Separate Line Item

TL801-CA1	
ACCESSORIES ³ (Field Installed)	
TL801-CA1	= 3/4" Cowl Arm Adapter (Pendant Mount Only)
SS800-200 ²	= Straight Shade, 200W
SS800-300 ²	= Straight Shade, 300W
SWG800 ²	= Wire Guard for Straight Shades
AS800-200 ²	= Angled Shade, 200W
AS800-300 ²	= Angled Shade, 300W
AWG800 ²	= Wire Guard for Angled Shades
FG800-200	= Frosted Globe, 200W
FG800-300	= Frosted Globe, 300W
CG800-200	= Replacement Clear Globe, 200W
CWG800-300	= Replacement Clear Globe, 300W
CWG800-200	= Replacement Cast Wire Guard, 200W
CWG800-300	= Replacement Cast Wire Guard, 300W
SWPS500	= Swivel Pendant Mount (Square Box)
SWPR500	= Swivel Pendant Mount (Round Box)
WPBR1	= Round Weather Proof Box w/(5) 1/2" Hubs
WPBR2	= Round Weather Proof Box w/(5) 3/4" Hubs
WPBRC	= Round Weather Proof Box Cover w/(5) 3/4" Hubs

TL803 HID SECURITY LIGHTING VAPORPROOF

See Page: 71 for INC
107 for CF



DIMENSIONS

MOUNTING	WIDTH	HEIGHT *	DEPTH
CEILING	7 1/8"	15"	7 1/8"
WALL	7 1/8"	14 3/4"	7 1/8"
PENDANT	7 1/8"	18 1/4"	7 1/8"

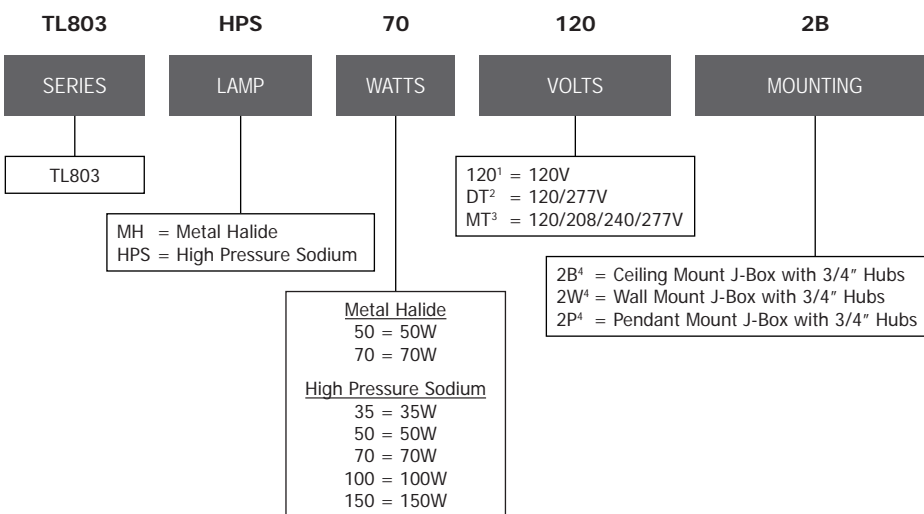
* Height of wall mount is from top edge of the wall plate to the bottom of guard.

FEATURES

- Features a heavy duty, die-cast aluminum housing with a paintable textured grey powdercoated finish
- UL Listed for wet locations and complies with UL Standard 1598 for non-hazardous locations
- Lamp is protected by a heat and impact resistant clear glass globe standard
- Frosted glass globe available
- Available with Metal Halide or High Pressure Sodium lamps from 35 to 150 watts
- Available in wall mount, ceiling mount and pendant mount styles
- Weatherproof junction box with 3/4" NPT hubs (1/2" hub reducer included) and rugged mounting tabs is included
- Full line of accessories with matching grey textured powdercoated finish is available

Specifications are subject to change without notice

ORDERING INFORMATION



SS800-300	
ACCESSORIES ⁶ (Field Installed)	
TL801-CA1	= 3/4" Cowl Arm Adapter (Pendant Mount Only)
SS800-300 ⁵	= Straight Shade
SWG800 ⁵	= Wire Guard for Straight Shades
AS800-300 ⁵	= Angled Shade
AWG800 ⁵	= Wire Guard for Angled Shades
FG800-300	= Frosted Globe
CG800-300	= Replacement Clear Globe
CWG800-300	= Replacement Cast Wire Guard
SWPS500	= Swivel Pendant Mount (Square Box)
SWPR500	= Swivel Pendant Mount (Round Box)
WPBR1	= Round Weather Proof Box w/(5) 1/2" Hubs
WPBR2	= Round Weather Proof Box w/(5) 3/4" Hubs
WPBRC	= Round Weather Proof Box Cover w/ (5) 3/4" Hubs

- ¹ HPS Lamps Only
- ² 50 Watt Lamps Only
- ³ 70 Watt Lamps Only
- ⁴ 1/2" Hub Reducer Included
- ⁵ Ceiling & Pendant Mount Units Only
- ⁶ Order as Separate Line Item

*see what we're doing
to make a difference*

Continuous effort to introduce energy efficient products

EPA approved, lead-free wave-soldering using
environmentally friendly components

Investing in state-of-the-art equipment to break down and
recycle cardboard into reUSable packaging material

Company literature is produced by an eco-friendly printing
process utilizing waterless offset printing, chemical-free
imaging, soy-based inks and recycled paper

GREEN

INITIATIVE



10 nationwide warehouse locations

More stock in multiple locations means faster service and reduced shipping costs for you.

PHOENIX, AZ

SALT LAKE CITY, UT

LOS ANGELES, CA

SANTA FE SPRINGS, CA

DALLAS, TX

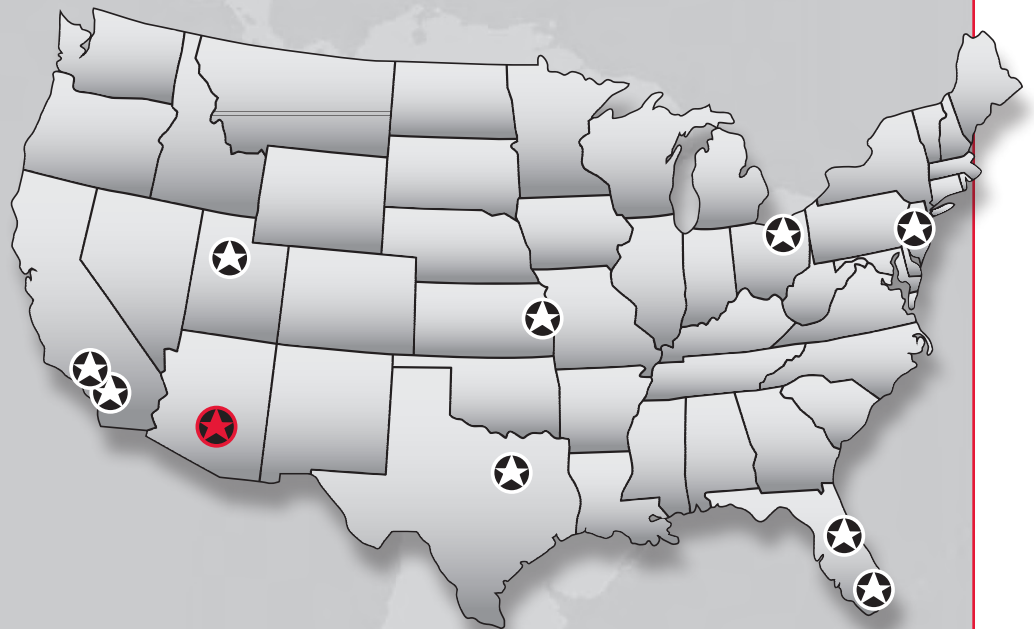
SHAWNEE MISSION, KS

CAMBRIDGE, OH

EDISON, NJ

MEDLEY, FL

ORLANDO, FL





FLUORESCENT

l i g h t i n g

Wall Packs

Flood Lighting

Garage/Canopy Lighting

High/Low Bay Lighting

Bollards

Vaporproof



TL101 MINI POLYCARBONATE WALL PACK



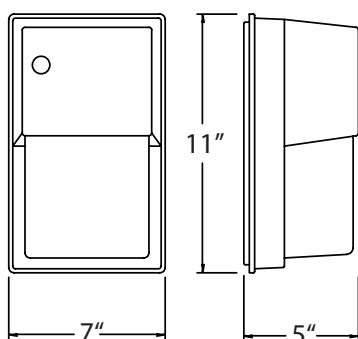
See Page: 22 for HID

FEATURES

- Durable, vandal-resistant, injection molded polycarbonate enclosure with an architectural bronze finish
- Fully sealed and gasketed, wet location listed
- Enclosure and hardware are corrosion resistant
- Internal, anodized aluminum reflector
- Lamp is protected by a high-impact, UV stabilized polycarbonate prismatic refractor
- 4-Pin Triple Tube lamps from 26 to 42 watts utilizing a GX24 universal base
- Electronic programmed start ballast, 120/277VAC input
- Minimum operating temperature of -20°C (-4°F)
- 120VAC Photocontrol is included standard
- Features a rugged die-cast aluminum mounting plate
- Can be wired to a 4" junction box, or surface mounted using the 1/2" NPT conduit entry point



DIMENSIONS



Approximate Weight: 4 lbs.

Specifications are subject to change without notice

ORDERING INFORMATION

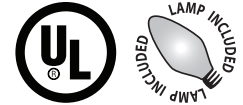
TL101	CF	42	120/277	USA	
SERIES	LAMP	WATTS	VOLTS	OPTIONS (Factory Installed)	ACCESSORIES ¹ (Field Installed)
TL101	CF = Compact Fluorescent	26 = 26W 32 = 32W 42 = 42W	120/277 = 120/277V	USA = Meets Buy America Requirements	PC2 = 208-277V Photocontrol

¹ Order as Separate Line Item

TL102 MINI DIE-CAST ALUMINUM WALL PACK



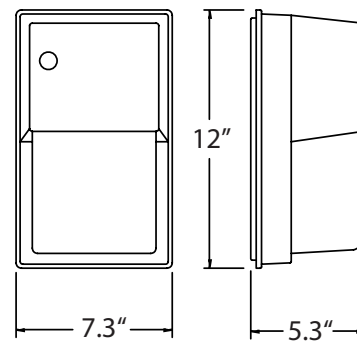
See Page: 23 for HID



FEATURES

- Durable, die-cast aluminum enclosure with an architectural bronze powder coated finish
- Fully sealed and gasketed, wet location listed
- Enclosure and hardware are corrosion resistant
- Internal, anodized aluminum reflector
- Lamp is protected by a high-impact, heat resistant borosilicate glass refractor
- 4-Pin Triple Tube lamps from 26 to 42 watts utilizing a GX24 universal base
- Electronic programmed start ballast, 120/277VAC input
- Minimum operating temperature of -20°C (-4°F)
- Features a rugged die-cast aluminum mounting plate
- Can be wired to a 4" junction box, or surface mounted using the 1/2" NPT conduit entry point

DIMENSIONS



Approximate Weight: 7 lbs.

Specifications are subject to change without notice

ORDERING INFORMATION

TL102	CF	42	120/277	USA	PC1
SERIES	LAMP	WATTS	VOLTS	OPTIONS (Factory Installed)	ACCESSORIES ¹ (Field Installed)
TL102	CF = Compact Fluorescent	26 = 26W 32 = 32W 42 = 42W	120/277=120/277V	USA = Meets Buy America Requirements	PC1 = 120V Photocontrol PC2 = 208-277V Photocontrol WG102 = Wire Guard RL102 = Replacement Lens

¹ Order as Separate Line Item

CF LIGHTING



TL103 SMALL DIE-CAST ALUMINUM WALL PACK



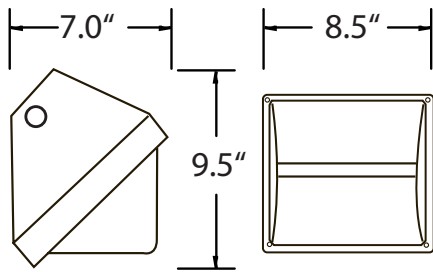
See Page: 24 for HID

FEATURES

- Durable, die-cast aluminum enclosure with an architectural bronze powder coated finish
- Fully sealed and gasketed, wet location listed
- Enclosure and hardware are corrosion resistant
- Internal, anodized aluminum reflector
- Lamp is protected by a vandal-resistant, UV stabilized polycarbonate prismatic refractor
- 4-Pin Triple Tube lamps from 26 to 42 watts utilizing a GX24 universal base
- Electronic programmed start ballast, 120/277VAC input
- Minimum operating temperature of -20°C (-4°F)
- Features a rugged die-cast aluminum mounting plate
- Can be wired to a 4" junction box, or surface mounted using the 1/2" NPT conduit entry point
- "EM" option provides full 90 minutes of battery back up



DIMENSIONS



Approximate Weight: 5 lbs.

Specifications are subject to change without notice

ORDERING INFORMATION

TL103	CF	42	120/277	SZ120	PC1
SERIES	LAMP	WATTS	VOLTS	OPTIONS (Factory Installed)	ACCESSORIES ² (Field Installed)
TL103	CF = Compact Fluorescent	26 = 26W 32 = 32W 42 = 42W	120/277 = 120/277V	SZXXX ¹ = Single Line Side Fuse (Specify 120 or 277V) EM = Emergency Ballast USA = Meets Buy America Requirements	PC1 = 120V Photocontrol PC2 = 208-277V Photocontrol RL103 = Replacement Lens

¹ Specify 120 or 277V

² Order as Separate Line Item

TL104 SMALL DIE-CAST ALUMINUM WALL PACK



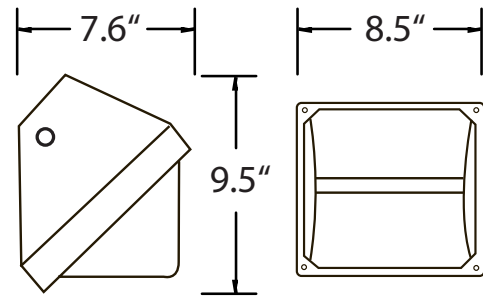
See Page: 25 for HID



FEATURES

- Durable, die-cast aluminum enclosure with an architectural bronze powder coated finish
- Fully sealed and gasketed, wet location listed
- Enclosure and hardware are corrosion resistant
- Internal, anodized aluminum reflector
- Lamp is protected by a vandal-resistant, borosilicate glass lens
- 4-Pin Triple Tube lamps from 26 to 42 watts utilizing a GX24 universal base
- Electronic programmed start ballast, 120/277VAC input
- Minimum operating temperature of -20°C (-4°F)
- Features a rugged die-cast aluminum mounting plate
- Can be wired to a 4" junction box, or surface mounted using the 1/2" NPT conduit entry point
- "EM" option provides full 90 minutes of battery back up

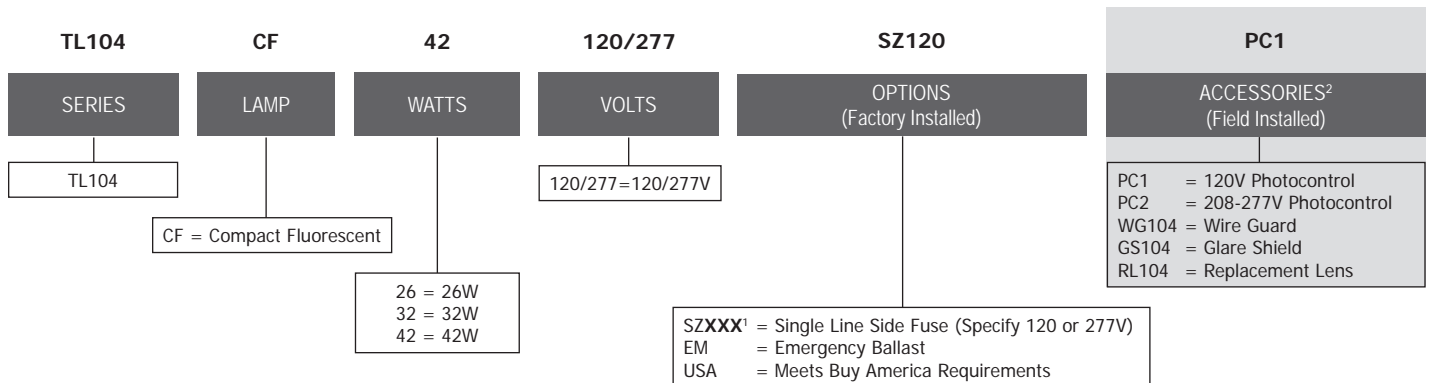
DIMENSIONS



Approximate Weight: 8 lbs.

Specifications are subject to change without notice

ORDERING INFORMATION



¹ Specify 120 or 277V

² Order as Separate Line Item



TL105 DECORATIVE MINI POLYCARBONATE WALL PACK



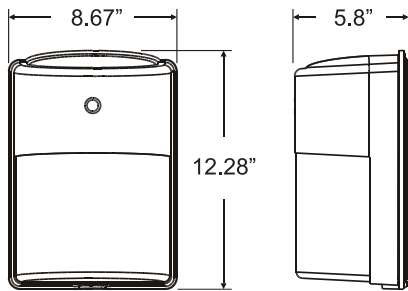
See Page: 26 for HID

FEATURES

- Durable, die-cast aluminum backplate
- Heat and impact resistant polycarbonate lens and housing
- Fully sealed and gasketed, wet location listed
- Enclosure and hardware are corrosion resistant
- Internal, anodized aluminum reflector
- 4-Pin Triple Tube lamps from 26 to 84 watts utilizing a GX24 universal base
- Electronic programmed start ballast, 120/277VAC input
- Minimum operating temperature of -20°C (-4°F)
- Can be wired to a 4" junction box, or surface mounted using the 1/2" NPT conduit entry point



DIMENSIONS



Approximate Weight: 8 lbs.

Specifications are subject to change without notice

ORDERING INFORMATION

TL105	CF	42	120/277	USA	PC1
SERIES	LAMP	WATTS	VOLTS	ACCESSORIES (Factory Installed)	ACCESSORIES ¹ (Field Installed)
TL105	CF = Compact Fluorescent	26 = 26W 32 = 32W 42 = 42W 52 = 26W x 2 64 = 32W x 2 84 = 42W x 2	120/277=120/277V	USA = Meets Buy America Requirements	PC1 = 120V Photocontrol PC2 = 208-277V Photocontrol RL105 = Replacement Lens

¹ Order as Separate Line Item

TL106 MEDIUM DIE-CAST ALUMINUM WALL PACK



See Page: 27 for HID

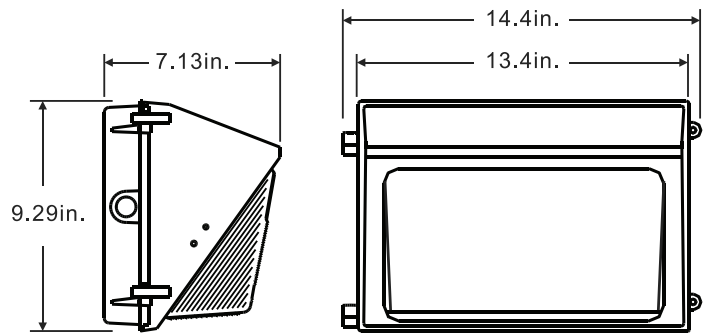


FEATURES

- Durable, die-cast aluminum enclosure with an architectural bronze powder coated finish
- Fully sealed and gasketed, wet location listed
- Enclosure and hardware are corrosion resistant
- Internal, anodized aluminum reflector
- Lamp(s) are protected by a high-impact, heat resistant borosilicate glass refractor
- 4-Pin Triple Tube lamps from 26 to 84 watts utilizing a GX24 universal base
- Electronic programmed start ballast, 120/277VAC input
- Minimum operating temperature of -20°C (-4°F)
- “EM” option provides full 90 minutes of battery back up
- Can be wired to a 4” junction box, or surface mounted using the 1/2” NPT conduit entry point



DIMENSIONS



Approximate Weight: 10 lbs.

Specifications are subject to change without notice

ORDERING INFORMATION

TL106	CF	42	120/277	SZ120	PC1
SERIES	LAMP	WATTS	VOLTS	OPTIONS (Factory Installed)	ACCESSORIES ² (Field Installed)
TL106	CF = Compact Fluorescent	26 = 26W 32 = 32W 42 = 42W 52 = 26W x 2 64 = 32W x 2 84 = 42W x 2	120/277=120/277V	SZXXX ¹ = Single Line Side Fuse (Specify 120 or 277V) EM = Emergency Ballast 2B = Two AC Ballasts for (2) Lamp Fixtures USA = Meets Buy America Requirements	PC1 = 120V Photocontrol PC2 = 208-277V Photocontrol WG106 = Wire Guard PG106 = Polycarbonate Guard FC106 = Full Cutoff Shield RL106 = Replacement Lens

¹ Specify 120 or 277V

² Order as Separate Line Item



TL106EX LARGE DIE-CAST ALUMINUM WALL PACK



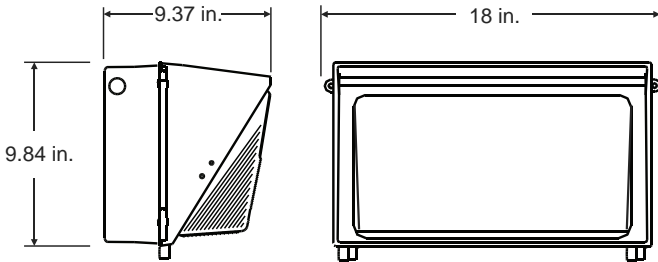
See Page: 28 for HID

FEATURES

- Durable, die-cast aluminum enclosure with an architectural bronze powder coated finish
- Fully sealed and gasketed, wet location listed
- Enclosure and hardware are corrosion resistant
- Internal, anodized aluminum reflector
- Lamp(s) are protected by a high-impact, heat resistant borosilicate glass refractor
- 4-Pin Triple Tube lamps from 26 to 84 watts utilizing a GX24 universal base
- Electronic programmed start ballast, 120/277VAC input
- Minimum operating temperature of -20°C (-4°F)
- “EM” option provides full 90 minutes of battery back up
- Can be wired to a 4” junction box, or surface mounted using the 1/2” NPT conduit entry point



DIMENSIONS



Approximate Weight: 16 lbs.

Specifications are subject to change without notice

ORDERING INFORMATION

TL106EX	CF	42	120/277	SZ120	PC1
SERIES	LAMP	WATTS	VOLTS	OPTIONS (Factory Installed)	ACCESSORIES ² (Field Installed)
TL106EX	CF = Compact Fluorescent	26 = 26W 32 = 32W 42 = 42W 52 = 26W x 2 64 = 32W x 2 84 = 42W x 2	120/277 = 120/277V	QR150 = 150 Watt Quartz Restrike SZXXX ¹ = Single Line Side Fuse (Specify 120 or 277V) EM = Emergency Ballast 2B = Two AC Ballasts for (2) Lamp Fixtures USA = Meets Buy America Requirements	PC1 = 120V Photocontrol PC2 = 208-277V Photocontrol WG106EX = Wire Guard PG106EX = Polycarbonate Guard FC106EX = Full Cutoff Shield RL106EX = Replacement Lens

¹ Specify 120 or 277V
² Order as Separate Line Item

TL110 ARCHITECTURAL FULL CUTOFF DIE-CAST ALUMINUM WALL PACK



See Page: 30 for HID



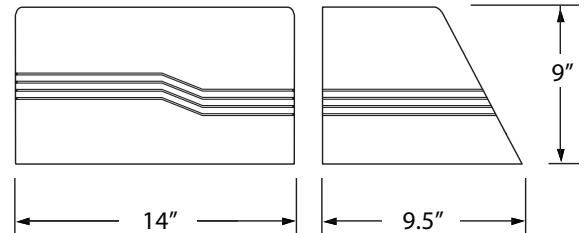
FEATURES

- Durable, die-cast aluminum enclosure with an architectural bronze powder coated finish
- Fully sealed and gasketed, wet location listed
- Enclosure and hardware are corrosion resistant
- Internal, anodized aluminum reflector
- Lamp(s) are protected by a high-impact, heat resistant tempered glass lens
- 4-Pin Triple Tube lamps from 26 to 84 watts utilizing a GX24 universal base
- Electronic programmed start ballast, 120/277VAC input
- Minimum operating temperature of -20°C (-4°F)
- “EM” option provides full 90 minutes of battery back up
- Can be wired to a 4” junction box, or surface mounted using the 1/2” NPT conduit entry point
- Can be mounted in an inverted position, the unit is then only rated for damp locations

DARKSKY
COMPLIANT



DIMENSIONS



Approximate Weight: 12 lbs.

Specifications are subject to change without notice

ORDERING INFORMATION

TL110	CF	42	120/277	EM	PC1
SERIES	LAMP	WATTS	VOLTS	OPTIONS (Factory Installed)	ACCESSORIES ² (Field Installed)
TL110	CF = Compact Fluorescent	26 = 26W 32 = 32W 42 = 42W 52 = 26W x 2 64 = 32W x 2 84 = 42W x 2	120/277=120/277V	SZXXX ¹ = Single Line Side Fuse (Specify 120 or 277V) EM = Emergency Ballast 2B = Two AC Ballasts for (2) Lamp Fixtures USA = Meets Buy America Requirements	PC1 = 120V Photocontrol PC2 = 208-277V Photocontrol LY110 = Large Yoke Mount WG110 = Wire Guard PG110 = Polycarbonate Guard RL110 = Replacement Lens REL110 = Replacement Etched Lens

¹ Specify 120 or 277V
² Order as Separate Line Item

CF LIGHTING



TL110EX LARGE ARCHITECTURAL FULL CUTOFF DIE-CAST ALUMINUM WALL PACK

See Page: 31 for HID



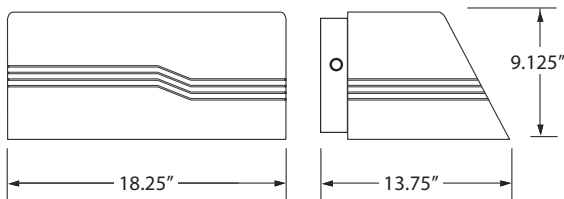
FEATURES

- Durable, die-cast aluminum enclosure with an architectural bronze powder coated finish
- Fully sealed and gasketed, wet location listed
- Enclosure and hardware are corrosion resistant
- Internal, anodized aluminum reflector
- Lamp(s) are protected by a high-impact, heat resistant tempered glass lens
- 4-Pin Triple Tube lamps from 26 to 84 watts utilizing a GX24 universal base
- Electronic programmed start ballast, 120/277VAC input
- Minimum operating temperature of -20°C (-4°F)
- "EM" option provides full 90 minutes of battery back up
- Hinged design for easy access to internal components
- Can be wired to a 4" junction box, or surface mounted using the 1/2" NPT conduit entry point



DARKSKY
COMPLIANT

DIMENSIONS



Approximate Weight: 16 lbs.

Specifications are subject to change without notice

ORDERING INFORMATION

TL110EX	CF	42	120/277	SZ120	PC1
SERIES	LAMP	WATTS	VOLTS	OPTIONS (Factory Installed)	ACCESSORIES ² (Field Installed)
TL110EX	CF = Compact Fluorescent	26 = 26W 32 = 32W 42 = 42W 52 = 26W x 2 64 = 32W x 2 84 = 42W x 2	120/277 = 120/277V	QR150 = 150 Watt Quartz Restrike SZXXX' = Single Line Side Fuse (Specify 120 or 277V) EM = Emergency Ballast 2B = Two AC Ballasts for (2) Lamp Fixtures USA = Meets Buy America Requirements	PC1 = 120V Photocontrol PC2 = 208-277V Photocontrol WG110EX = Wire Guard PG110EX = Polycarbonate Guard RL110EX = Replacement Lens REL110EX = Replacement Etched Lens RPL110EX = Replacement Prismatic Lens

¹ Specify 120 or 277V

² Order as Separate Line Item

TL110A ARCHITECTURAL FULL CUTOFF DIE-CAST ALUMINUM WALL PACK



See Page: 33 for HID



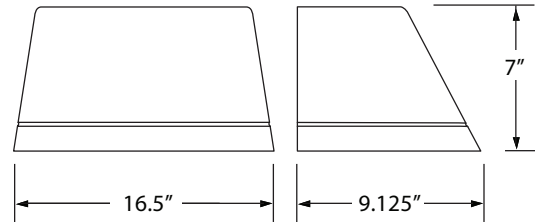
FEATURES

- Durable, die-cast aluminum enclosure with an architectural bronze powder coated finish
- Fully sealed and gasketed, wet location listed
- Enclosure and hardware are corrosion resistant
- Internal, anodized aluminum wide throw reflector, an optional forward throw reflector is available
- Lamp(s) are protected by a high-impact, heat resistant tempered glass lens
- 4-Pin Triple Tube lamps from 26 to 84 watts utilizing a GX24 universal base
- Electronic programmed start ballast, 120/277VAC input
- Minimum operating temperature of -20°C (-4°F)
- “EM” option provides full 90 minutes of battery back up
- Hinged design for easy access to internal components
- Can be wired to a 4” junction box, or surface mounted using the 1/2” NPT conduit entry point

DARKSKY
COMPLIANT



DIMENSIONS



Approximate Weight: 18 lbs.

Specifications are subject to change without notice

ORDERING INFORMATION

TL110A	CF	42	120/277	SZ120	PC1
SERIES	LAMP	WATTS	VOLTS	OPTIONS (Factory Installed)	ACCESSORIES ² (Field Installed)
TL110A	CF = Compact Fluorescent	26 = 26W 32 = 32W 42 = 42W 52 = 26W x 2 64 = 32W x 2 84 = 42W x 2	120/277=120/277V	QR150 = 150 Watt Quartz Restrike SZXXX ¹ = Single Line Side Fuse (Specify 120 or 277V) EM = Emergency Ballast FT = Forward Throw Reflector USA = Meets Buy America Requirements	PC1 = 120V Photocontrol PC2 = 208-277V Photocontrol

¹ Specify 120 or 277V

² Order as Separate Line Item



TL111 ARCHITECTURAL FULL CUTOFF
DIE-CAST ALUMINUM WALL PACK



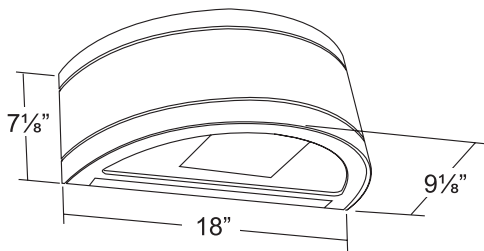
See Page: 34 for HID

FEATURES

- Durable, die-cast aluminum enclosure with an architectural bronze powder coated finish
- Fully sealed and gasketed, wet location listed
- Enclosure and hardware are corrosion resistant
- Internal, anodized aluminum reflector
- Optional up/down light distribution provides 50% uplight
- Lamp(s) are protected by a high-impact, heat resistant tempered glass lens
- 4-Pin Triple Tube lamps from 26 to 84 watts utilizing a GX24 universal base
- Electronic programmed start ballast, 120/277VAC input
- Minimum operating temperature of -20°C (-4°F)
- Can be wired to a 4" junction box, or surface mounted using the 1/2" NPT conduit entry point
- "EM" option provides full 90 minutes of battery back up



DIMENSIONS



Approximate Weight: 14 lbs.

Specifications are subject to change without notice

ORDERING INFORMATION

TL111	CF	42	120/277	SZ120	PC1
SERIES	LAMP	WATTS	VOLTS	OPTIONS (Factory Installed)	ACCESSORIES ⁵ (Field Installed)
TL111	CF = Compact Fluorescent	26 = 26W 32 = 32W 42 = 42W 52 ¹ = 26W x 2 64 ¹ = 32W x 2 84 ¹ = 42W x 2	120/277=120/277V	SZXXX ⁴ = Single Line Side Fuse (Specify 120 or 277V) EM ² = Emergency Ballast UD ^{1,3} = Up/Down Light Distribution USA = Meets Buy America Requirements	PC1 = 120V Photocontrol PC2 = 208-277V Photocontrol

¹ Two Lamp Fixtures Available with Up/Down Light Distribution Only
² Single Lamp Fixtures Only (26W, 32W, 42W)
³ Not Dark Sky Compliant
⁴ Specify 120 or 277V
⁵ Order as Separate Line Item

TL111A ARCHITECTURAL FULL CUTOFF DIE-CAST ALUMINUM WALL PACK



See Page: 35 for HID

FEATURES

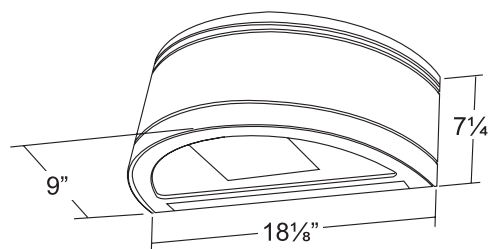
- Durable, die-cast aluminum enclosure with an architectural bronze powder coated finish
- Fully sealed and gasketed, wet location listed
- Enclosure and hardware are corrosion resistant
- Internal, anodized aluminum reflector
- Optional up/down light distribution provides 50% uplight
- Lamp(s) are protected by a high-impact, heat resistant tempered glass lens
- 4-Pin Triple Tube lamps from 26 to 84 watts utilizing a GX24 universal base
- Electronic programmed start ballast, 120/277VAC input
- Minimum operating temperature of -20°C (-4°F)
- Can be wired to a 4" junction box, or surface mounted using the 1/2" NPT conduit entry point
- "EM" option provides full 90 minutes of battery back up



DARKSKY
COMPLIANT



DIMENSIONS



Approximate Weight: 14 lbs.

Specifications are subject to change without notice

ORDERING INFORMATION


TL111A	CF	42	120/277	SZ120	PC1
SERIES	LAMP	WATTS	VOLTS	OPTIONS (Factory Installed)	ACCESSORIES ⁶ (Field Installed)
TL111A	CF = Compact Fluorescent	26 = 26W 32 = 32W 42 = 42W 52 ¹ = 26W x 2 64 ¹ = 32W x 2 84 ¹ = 42W x 2	120/277=120/277V	QR150 = 150 Watt Quartz Restrike SZXXX ⁴ = Single Line Side Fuse (Specify 120 or 277V) EM ² = Emergency Ballast (Specify 120 or 277V) UD ³ = Up/Down Light Distribution FT ⁵ = Forward Throw Reflector USA = Meets Buy America Requirements	PC1 = 120V Photocontrol PC2 = 208-277V Photocontrol

¹ Two Lamp Fixtures Available with Down Light Only
² Single Lamp Fixtures Only (26W, 32W, 42W), UD Option not Available
³ Not Dark Sky Compliant
⁴ Specify 120 or 277V
⁵ Not Available on UD Fixture Option
⁶ Order as Separate Line Item



TL112 ARCHITECTURAL FULL CUTOFF
DIE-CAST ALUMINUM WALL PACK

See Page: 36 for HID



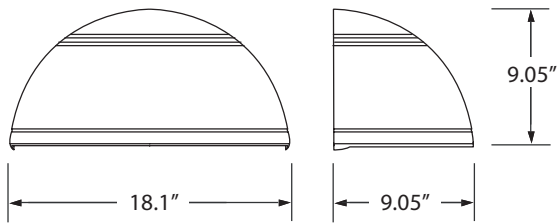
FEATURES

- Durable, die-cast aluminum enclosure with an architectural bronze powder coated finish
- Fully sealed and gasketed, wet location listed
- Enclosure and hardware are corrosion resistant
- Internal, anodized aluminum reflector
- Lamp(s) are protected by a high-impact, heat resistant tempered glass lens
- 4-Pin Triple Tube lamps from 26 to 84 watts utilizing a GX24 universal base
- Electronic programmed start ballast, 120/277VAC input
- Minimum operating temperature of -20°C (-4°F)
- Die-cast aluminum plate can be wired to a 4" junction box



DARKSKY
COMPLIANT

DIMENSIONS



Approximate Weight: 13 lbs.

Specifications are subject to change without notice

ORDERING INFORMATION

TL112	CF	42	120/277	SZ120	PC1
SERIES	LAMP	WATTS	VOLTS	OPTIONS (Factory Installed)	ACCESSORIES ² (Field Installed)
TL112	CF = Compact Fluorescent	26 = 26W 32 = 32W 42 = 42W 52 = 26W x 2 64 = 32W x 2 84 = 42W x 2	120/277=120/277V	QR150 = 150 Watt Quartz Restrike SZXXX ¹ = Single Line Side Fuse (Specify 120 or 277V) USA = Meets Buy America Requirements	PC1 = 120V Photocontrol PC2 = 208-277V Photocontrol

¹ Specify 120 or 277V
² Order as Separate Line Item

TL116 EURO STYLE WALL PACK



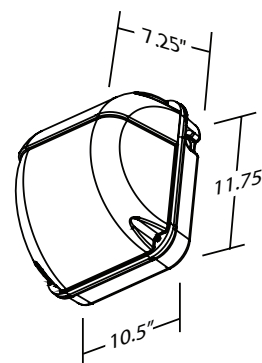
See Page: 4 for IND

FEATURES

- Durable, die-cast aluminum back housing with an architectural bronze powder coated finish and matched polycarbonate front housing
- Fully sealed and gasketed, wet location listed
- Enclosure and hardware are corrosion resistant
- Internal, anodized aluminum reflector
- Lamp(s) are protected by an impact-resistant, prismatic, polycarbonate refractor
- 4-Pin Triple Tube lamps from 26 to 84 watts utilizing a GX24 universal base
- Electronic programmed start ballast, 120/277VAC input
- Minimum operating temperature of -20°C (-4°F)
- "EM" option provides full 90 minutes of battery back up
- Hinged design for easy access to internal components
- Can be wired to a 4" junction box, or surface mounted using the 1/2" NPT conduit entry point



DIMENSIONS



Approximate Weight: 10 lbs.

Specifications are subject to change without notice

ORDERING INFORMATION

TL116	CF	42	120/277	SZ120	PC1
SERIES	LAMP	WATTS	VOLTS	OPTIONS (Factory Installed)	ACCESSORIES ² (Field Installed)
TL116	CF = Compact Fluorescent	26 = 26W 32 = 32W 42 = 42W 52 = 26W x 2 64 = 32W x 2 84 = 42W x 2	120/277=120/277V	QR150 = 150 Watt Quartz Restrike SZXXX ¹ = Single Line Side Fuse (Specify 120 or 277V) EM = Emergency Ballast USA = Meets Buy America Requirements	PC1 = 120V Photocontrol PC2 = 208-277V Photocontrol

¹ Specify 120 or 277V

² Order as Separate Line Item



TL118 DIE-CAST ALUMINUM WALL PACK



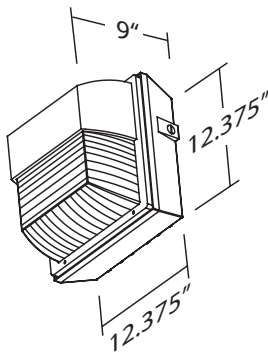
See Page: 38 for HID

FEATURES

- Durable, die-cast aluminum back housing with an architectural bronze powder coated finish and matched polycarbonate front housing
- Fully sealed and gasketed, wet location listed
- Enclosure and hardware are corrosion resistant
- Internal, anodized aluminum reflector
- Lamp(s) are protected by a vandal-resistant, polycarbonate prismatic refractor
- 4-Pin Triple Tube lamps from 26 to 84 watts utilizing a GX24 universal base
- Electronic programmed start ballast, 120/277VAC input
- Minimum operating temperature of -20°C (-4°F)
- Can be wired to a 4" junction box, or surface mounted using the 1/2" NPT conduit entry point



DIMENSIONS



Approximate Weight: 15 lbs.

Specifications are subject to change without notice

ORDERING INFORMATION

TL118	CF	42	120/277	SZ120	PC1
SERIES	LAMP	WATTS	VOLTS	OPTIONS (Factory Installed)	ACCESSORIES ² (Field Installed)
TL118		26 = 26W 32 = 32W 42 = 42W 52 = 26W x 2 64 = 32W x 2 84 = 42W x 2	120/277=120/277V		PC1 = 120V Photocontrol PC2 = 208-277V Photocontrol
	CF = Compact Fluorescent			SZXXX ¹ = Single Line Side Fuse (Specify 120 or 277V) USA = Meets Buy America Requirements	

¹ Specify 120 or 277V

² Order as Separate Line Item

TL119 DIE-CAST ALUMINUM SEMI-CUTOFF WALL PACK



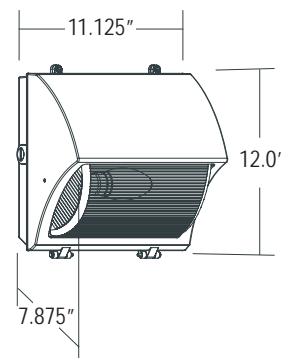
See Page: 5 for IND
39 for HID

FEATURES

- Die-cast aluminum housing with an architectural bronze powder coated finish
- Fully sealed and gasketed, wet location listed
- Enclosure and hardware are corrosion resistant
- Internal, anodized aluminum reflector
- Lamp(s) are protected by a high impact, heat-resistant, borosilicate glass refractor
- 4-Pin Triple Tube lamps from 26 to 84 watts utilizing a GX24 universal base
- Electronic programmed start ballast, 120/277VAC input
- Minimum operating temperature of -20°C (-4°F)
- Hinged design for easy access to internal components
- Can be wired to a 4" junction box, or surface mounted using the 1/2" NPT conduit entry point
- "EM" option provides full 90 minutes of battery back up



DIMENSIONS



Approximate Weight: 15 lbs.

Specifications are subject to change without notice

ORDERING INFORMATION

TL119	CF	42	120/277	SZ120	PC1
SERIES	LAMP	WATTS	VOLTS	OPTIONS (Factory Installed)	ACCESSORIES ² (Field Installed)
TL119	CF = Compact Fluorescent	26 = 26W 32 = 32W 42 = 42W 52 = 26W x 2 64 = 32W x 2 84 = 42W x 2	120/277=120/277V	2B = Two AC Ballasts for (2) Lamp Fixtures SZXXX ¹ = Single Line Side Fuse (Specify 120 or 277V) EM = Emergency Ballast USA = Meets Buy America Requirements	PC1 = 120V Photocontrol PC2 = 208-277V Photocontrol WG119 = Wire Guard

¹ Specify 120 or 277V

² Order as Separate Line Item



TL120 ARCHITECTURAL, FULL CUTOFF DIE-CAST ALUMINUM WALL PACK

See Page: 41 for HID



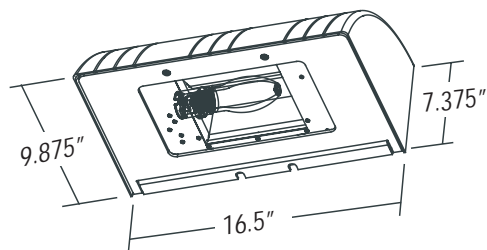
FEATURES

- Die-cast aluminum housing with an architectural bronze powder coated finish
- Fully sealed and gasketed, wet location listed
- Enclosure and hardware are corrosion resistant
- Internal, anodized aluminum reflector
- Lamp is protected by a high-impact, heat resistant tempered glass lens
- 4-Pin Triple Tube lamps from 26 to 42 watts utilizing a GX24 universal base
- Electronic programmed start ballast, 120/277VAC input
- Minimum operating temperature of -20°C (-4°F)
- Hinged design for easy access to internal components
- Unit includes mounting plate with built-in leveler
- Can be wired to a 4" junction box
- "EM" option provides full 90 minutes of battery back up



DARKSKY
COMPLIANT

DIMENSIONS



Approximate Weight: 15 lbs.

Specifications are subject to change without notice

ORDERING INFORMATION

TL120	CF	42	120/277	SZ120	PC1
SERIES	LAMP	WATTS	VOLTS	OPTIONS (Factory Installed)	ACCESSORIES ² (Field Installed)
TL120		26 = 26W 32 = 32W 42 = 42W	120/277=120/277V		PC1 = 120V Photocontrol PC2 = 208-277V Photocontrol
	CF = Compact Fluorescent			SZXXX ¹ = Single Line Side Fuse (Specify 120 or 277V) EM = Emergency Ballast USA = Meets Buy America Requirements	

¹ Specify 120 or 277V

² Order as Separate Line Item

TL121 ARCHITECTURAL FULL CUTOFF DIE-CAST ALUMINUM WALL PACK



See Page: 42 for HID



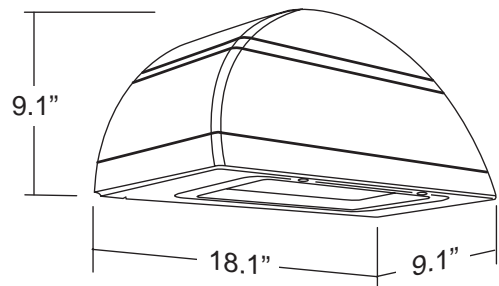
FEATURES

- Die-cast aluminum housing with an architectural bronze powder coated finish
- Fully sealed and gasketed, wet location listed
- Enclosure and hardware are corrosion resistant
- Internal, anodized aluminum reflector
- Lamp(s) are protected by a high-impact, heat resistant tempered glass lens
- 4-Pin Triple Tube lamps from 26 to 84 watts utilizing a GX24 universal base
- Electronic programmed start ballast, 120/277VAC input
- Minimum operating temperature of -20°C (-4°F)
- Hinged design for easy access to internal components
- Unit can be surface mounted to a standard 4" junction box using easy hang plate
- "EM" option provides full 90 minutes of battery back up

DARKSKY
COMPLIANT



DIMENSIONS



Approximate Weight: 15 lbs.

Specifications are subject to change without notice

ORDERING INFORMATION

TL121	CF	42	120/277	SZ120	PC1
SERIES	LAMP	WATTS	VOLTS	OPTIONS (Factory Installed)	ACCESSORIES ¹ (Field Installed)
TL121	CF = Compact Fluorescent	26 = 26W 32 = 32W 42 = 42W 52 = 26W x 2 64 = 32W x 2 84 = 42W x 2	120/277=120/277V	QR150 = 150 Watt Quartz Restrike SZXXX ¹ = Single Line Side Fuse (Specify 120 or 277V) EM = Emergency Ballast USA = Meets Buy America Requirements	PC1 = 120V Photocontrol PC2 = 208-277V Photocontrol

¹ Specify 120 or 277V
² Order as Separate Line Item

CF LIGHTING



TL201 SMALL DIE-CAST ALUMINUM FLOOD LIGHTING



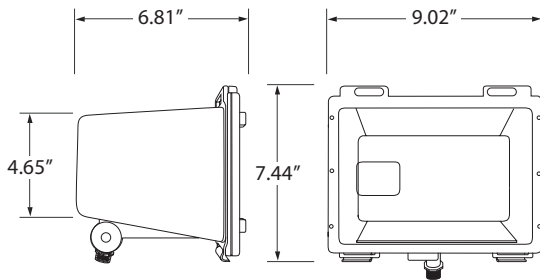
See Page: 43 for HID

FEATURES

- Durable, corrosion-resistant, die-cast aluminum enclosure with an architectural bronze powder coated finish
- Fully sealed and gasketed, wet location listed
- Corrosion-resistant hardware
- Internal, anodized aluminum reflector
- Lamp is protected by a high-impact, heat resistant tempered glass lens
- 4-Pin Triple Tube lamps from 26 to 42 watts utilizing a GX24 universal base
- Electronic programmed start ballast, 120/277VAC input
- Minimum operating temperature of -20°C (-4°F)
- Features a threaded 1/2" NPT adjustable knuckle
- Hinged for easy install and relamp



DIMENSIONS



Approximate Weight: 5 lbs.

Specifications are subject to change without notice

ORDERING INFORMATION

TL201	CF	42	120/277	SZ120	PC1
SERIES	LAMP	WATTS	VOLTS	OPTIONS (Factory Installed)	ACCESSORIES ² (Field Installed)
TL201	CF = Compact Fluorescent	26 = 26W 32 = 32W 42 = 42W	120/277 = 120/277V	SZXXX ¹ = Single Line Side Fuse (Specify 120 or 277V) USA = Meets Buy America Requirements	PC1 = 120V Photocontrol PC2 = 208-277V Photocontrol PG201 = Polycarbonate Guard WG201 = Wire Guard GS201 = Glare Shield PF201 = Post Top Fitter GRS200 = Ground Stake RL201 = Replacement Lens

¹ Specify 120 or 277V

² Order as Separate Line Item

TL202 MEDIUM DIE-CAST ALUMINUM FLOOD LIGHTING



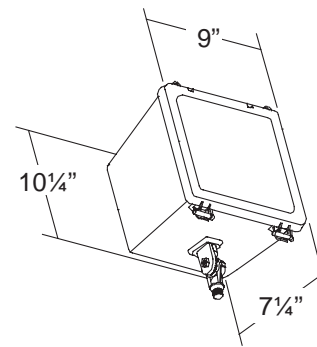
See Page: 44 for HID

FEATURES

- Durable, corrosion-resistant, die-cast aluminum enclosure with an architectural bronze powder coated finish
- Fully sealed and gasketed, wet location listed
- Corrosion-resistant hardware
- Internal, anodized aluminum reflector
- Lamp(s) are protected by a high-impact, heat resistant tempered glass lens
- A spot reflector is also available
- 4-Pin Triple Tube lamps from 26 to 64 watts utilizing a GX24 universal base
- Electronic programmed start ballast
- Minimum operating temperature of -20°C (-4°F) and 120/277VAC input
- Features a threaded 1/2" NPT adjustable knuckle
- Hinged for easy install and relamp



DIMENSIONS



Approximate Weight: 8 lbs.

Specifications are subject to change without notice

ORDERING INFORMATION

TL202	CF	42	120/277	SF	PC1
SERIES	LAMP	WATTS	VOLTS	OPTIONS (Factory Installed)	ACCESSORIES ² (Field Installed)
TL202	CF = Compact Fluorescent	26 = 26W 32 = 32W 42 = 42W 52 = 26W x 2 64 = 32W x 2	120/277=120/277V	SZXXX ¹ = Single Line Side Fuse (Specify 120 or 277V) SF = 2" Slipfitter Mount (Replaces Knuckle Mount) USA = Meets Buy America Requirements	PC1 = 120V Photocontrol PC2 = 208-277V Photocontrol PG202 = Polycarbonate Guard WG202 = Wire Guard GS202 = Glare Shield PF202 = Post Top Fitter GRS200 = Ground Stake RL202 = Replacement Lens

¹ Specify 120 or 277V

² Order as Separate Line Item

TL206 ROUND BACK ARCHITECTURAL DIE-CAST ALUMINUM FLOOD LIGHTING



See Page: 48 for HID

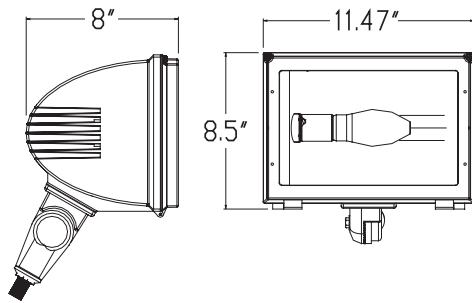


FEATURES

- Durable, corrosion-resistant, die-cast aluminum enclosure with an architectural bronze powder coated finish
- Fully sealed and gasketed, wet location listed
- Corrosion-resistant hardware
- Internal, anodized aluminum reflector which provides 6H x 6V light distribution
- Lamp is protected by a high-impact, heat resistant tempered glass lens
- 4-Pin Triple Tube lamps from 26 to 42 watts utilizing a GX24 universal base
- Electronic programmed start ballast, 120/277VAC input
- Minimum operating temperature of -20°C (-4°F)
- Features a threaded 1/2" NPT adjustable knuckle
- Top frame is hinged for easy access to lamp and internal components
- "EM" option provides full 90 minutes of battery back up



DIMENSIONS



Approximate Weight: 13 lbs.

Specifications are subject to change without notice

ORDERING INFORMATION

TL206	CF	42	120/277	SZ120	PC1
SERIES	LAMP	WATTS	VOLTS	OPTIONS (Factory Installed)	ACCESSORIES ² (Field Installed)
TL206	CF = Compact Fluorescent	26 = 26W 32 = 32W 42 = 42W	120/277 = 120/277V	SZXXX ¹ = Single Line Side Fuse (Specify 120 or 277V) EM ¹ = Emergency Ballast SF = 2" Slipfitter Mount (Replaces Knuckle Mount) USA = Meets Buy America Requirements	PC1 = 120V Photocontrol PC2 = 208-277V Photocontrol PG206 = Polycarbonate Guard WG206 = Wire Guard GS206 = Glare Shield PF206 = Post Top Filler GRS200 = Ground Stake

¹ Specify 120 or 277V

² Order as Separate Line Item

TL306 ADJUSTABLE, WALL OR POLE MOUNT DIE-CAST ALUMINUM AREA LIGHT



See Page: 52 for HID

FEATURES

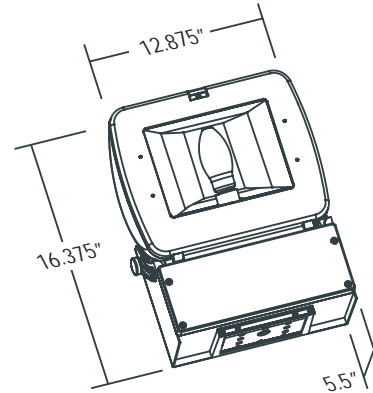
- Durable, corrosion-resistant, die-cast aluminum enclosure with an architectural bronze powder coated finish
- Fully sealed and gasketed, wet location listed
- Corrosion-resistant hardware
- Internal, anodized aluminum reflector provides ideal general 6H x 6V light distribution
- Lamps are protected by a high-impact, heat resistant tempered glass lens
- 4-Pin Triple Tube lamps from 52 to 84 watts utilizing a GX24 universal base
- Electronic programmed start ballast, 120/277VAC input
- Minimum operating temperature of -20°C (-4°F)
- Lamp and optics can be adjusted from 0° to 30°, angle indicator allows for easy aiming



DARKSKY
COMPLIANT
WHEN MOUNTED HORIZONTALLY



DIMENSIONS



Approximate Weight: 25 lbs.
EPA: 0.81

Specifications are subject to change without notice

ORDERING INFORMATION

TL306	CF	84	120/277	SZ120	PB2-306, PBC2-306
SERIES	LAMP	WATTS	VOLTS	OPTIONS Factory Installed	ACCESSORIES² Field Installed
TL306	CF = Compact Fluorescent	52 = 26W x 2 64 = 32W x 2 84 = 42W x 2	120/277 = 120/277V		PC1 = 120V Photocontrol PC2 = 208-277V Photocontrol PB1-306 = Pole Bracket (1) Fixture, Square Pole PB2-306 = Pole Bracket (2) Fixtures at 180°, Square Pole PBC2-306 = Pole Bracket Cover For Use With PB2-306 PB3-306 = Pole Bracket (3) Fixtures at 120°, Square Pole PBC3-306 = Pole Bracket Cover For Use With PB3-306 PB4-306 = Pole Bracket (4) Fixtures at 90°, Square Pole PBC4-306 = Pole Bracket Cover For Use With PB4-306 PBCAP-306 = Pole Bracket Cap For Use With PB Bracket w/o Covers
		SZXXX ¹ = Single Line Side Fuse (Specify 120 or 277V) USA = Meets Buy America Requirements			

¹ Specify 120 or 277V

² Order as Separate Line Item



TL401 SMALL DIE-CAST ALUMINUM GARAGE/CANOPY LIGHT



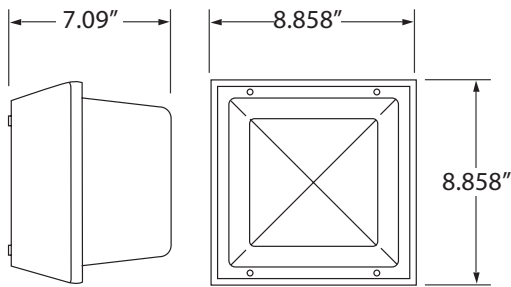
See Page: 54 for HID

FEATURES

- Durable, corrosion-resistant, die-cast aluminum enclosure with an architectural bronze powder coated finish
- Fully sealed and gasketed, wet location listed
- Corrosion-resistant hardware
- Internal, white enameled steel reflector
- Lamp is protected by a vandal-resistant, UV stabilized polycarbonate prismatic refractor
- 4-Pin Triple Tube lamps from 26 to 42 watts utilizing a GX24 universal base
- Electronic programmed start ballast
- Minimum operating temperature of -20°C (-4°F) and 120/277VAC input
- Features a 1/2" NPT entry point for conduit access



DIMENSIONS



Approximate Weight: 12 lbs.

Specifications are subject to change without notice

ORDERING INFORMATION

TL401	CF	42	120/277	SZ120	PC1
SERIES	LAMP	WATTS	VOLTS	OPTIONS (Factory Installed)	ACCESSORIES ² (Field Installed)
TL401	CF = Compact Fluorescent	26 = 26W 32 = 32W 42 = 42W	120/277=120/277V		PC1 = 120V Photocontrol PC2 = 208-277V Photocontrol RL401 = Replacement Lens
				SZXXX ¹ = Single Line Side Fuse (Specify 120 or 277V) USA = Meets Buy America Requirements	

¹ Specify 120 or 277V

² Order as Separate Line Item

TL402 LARGE DIE-CAST ALUMINUM GARAGE/CANOPY LIGHT



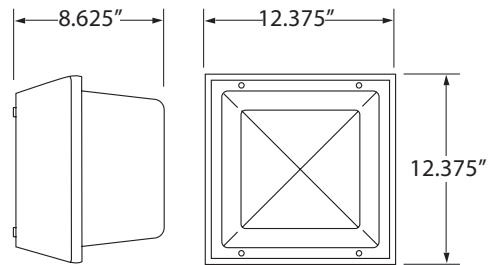
See Page: 13 for IND
55 for HID



FEATURES

- Durable, corrosion-resistant, die-cast aluminum enclosure with an architectural bronze powder coated finish
- Fully sealed and gasketed, wet location listed
- Corrosion-resistant hardware
- Internal, white enameled steel reflector
- Lamp is protected by a vandal-resistant, UV stabilized polycarbonate prismatic refractor
- 4-Pin Triple Tube lamps from 26 to 84 watts utilizing a GX24 universal base
- Electronic programmed start ballast
- Minimum operating temperature of -20°C (-4°F) and 120/277VAC input
- Features a 1/2" NPT entry point for conduit access

DIMENSIONS



Approximate Weight: 18 lbs.

Specifications are subject to change without notice

ORDERING INFORMATION

TL402	CF	42	120/277	SZ120	PC1
SERIES	LAMP	WATTS	VOLTS	OPTIONS (Factory Installed)	ACCESSORIES ² (Field Installed)
TL402	CF = Compact Fluorescent	26 = 26W 32 = 32W 42 = 42W 52 = 26W x 2 64 = 32W x 2 84 = 42W x 2	120/277=120/277V SZXXX ¹ = Single Line Side Fuse (Specify 120 or 277V) QR150 = 150 Watt Quartz Restrike USA = Meets Buy America Requirements		PC1 = 120V Photocontrol PC2 = 208-277V Photocontrol QMPA = Quick Mount Pendant Adapter SWPR = Swivel Pendant Mount (Round) SWPS = Swivel Pendant Mount (Square) RL402 = Replacement Lens RL402D = Deep Lens (11.5" Fixture Depth)

¹ Specify 120 or 277V

² Order as Separate Line Item



TL406 DIE-CAST ALUMINUM GARAGE/CANOPY LIGHT

See Page: 14 for IND
56 for HID

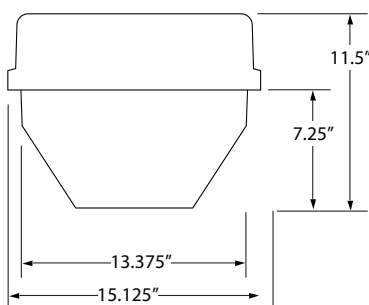


FEATURES

- Durable, corrosion-resistant, die-cast aluminum enclosure with an architectural bronze powder coated finish
- Fully sealed and gasketed, wet location listed
- Corrosion-resistant hardware
- Internal, white enameled steel reflector
- Lamp is protected by a vandal-resistant, UV stabilized polycarbonate prismatic refractor
- 4-Pin Triple Tube lamps from 26 to 84 watts utilizing a GX24 universal base
- Electronic programmed start ballast
- Minimum operating temperature of -20°C (-4°F) and 120/277VAC input
- Features a 1/2" NPT entry point for conduit access
- "EM" option provides full 90 minutes of battery back up



DIMENSIONS



Approximate Weight: 15 lbs.

Specifications are subject to change without notice

ORDERING INFORMATION

TL406	CF	42	120/277	SZ120	QMPA
SERIES	LAMP	WATTS	VOLTS	OPTIONS (Factory Installed)	ACCESSORIES ² (Field Installed)
TL406	CF = Compact Fluorescent	26 = 26W 32 = 32W 42 = 42W 52 = 26W x 2 64 = 32W x 2 84 = 42W x 2	120/277 = 120/277V	SZXXX ¹ = Single Line Side Fuse (Specify 120 or 277V) QR150 = 150 Watt Quartz Restrike EM = Emergency Ballast USA = Meets Buy America Requirements	QMPA = Quick Mount Adapter PMJB = Offset Pendant Mount J-Box SWPR = Swivel Pedant Mount (Round) SWPS = Swivel Pendant Mount (Square) RL406 = Replacement Lens

¹ Specify 120 or 277V

² Order as Separate Line Item

TL407 DIE-CAST ALUMINUM GARAGE CANOPY LIGHT



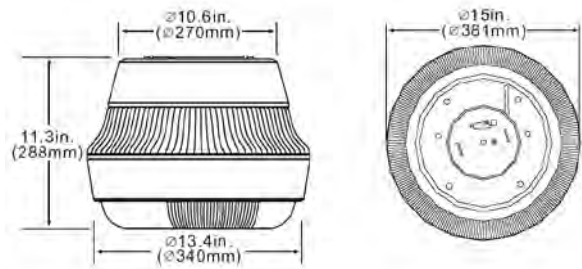
See Page: 57 for HID

FEATURES

- Durable, corrosion-resistant, die-cast aluminum enclosure with a white powder coated finish
- IP65 rated enclosure is fully sealed and gasketed, and wet location listed for covered ceiling mount
- Corrosion-resistant hardware
- Internal, white enameled steel reflector
- Lamp(s) are protected by a UV stabilized, vandal-resistant, acrylic prismatic refractors
- Attractive uplight prevents caving effect in parking garage applications
- 4-Pin Triple Tube lamps from 52 to 84 watts utilizing a GX24 universal base
- Electronic programmed start ballast
- Minimum operating temperature of -20°C (-4°F) and 120/277VAC input
- Includes a mounting plate for easy, hands-free wiring
- An optional offset pendant mount J-Box is also available



DIMENSIONS



Approximate Weight: 17 lbs.

Specifications are subject to change without notice

ORDERING INFORMATION

TL407	CF	84	120/277	SZ120	TS
SERIES	LAMP	WATTS	VOLTS	OPTIONS (Factory Installed)	ACCESSORIES ¹ (Field Installed)
TL407	CF = Compact Fluorescent	52 = 26W x 2 64 = 32W x 2 84 = 42W x 2	120/277=120/277V	AUX55 = Auxillary 55W Circline Lamp FR55 = 55W Fluorescent Restrike SZXXX ¹ = Single Line Side Fuse (Specify 120 or 277V) QR150 = 150 Watt Quartz Restrike USA = Meets Buy America Requirements	RLT407 = Replacement Upper Lens RLB407 = Replacement Lower Lens TS = Tamper Proof Screws PMJB = Offset Pendant Mount J-Box

¹ Specify 120 or 277V

² Order as Separate Line Item



TL408 DIE-CAST ALUMINUM GARAGE CANOPY LIGHT

See Page: 16 for IND
58 for HID

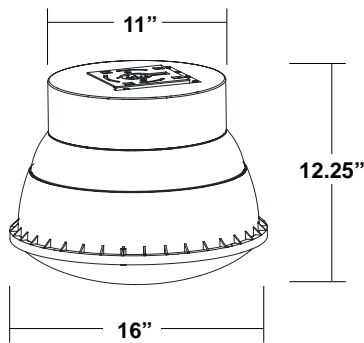


FEATURES

- Durable, corrosion-resistant, die-cast aluminum enclosure with an architectural bronze powder coated finish
- Enclosure is listed for covered ceiling mount
- Corrosion-resistant hardware
- Internal, anodized aluminum reflector
- Features a two-piece aluminum reflector, the upper can be removed to create an attractive uplight
- Lamp(s) are protected by a UV stabilized, vandal-resistant, polycarbonate prismatic refractor
- 4-Pin Triple Tube lamps from 52 to 168 watts utilizing a GX24 universal base
- Electronic programmed start ballast
- Minimum operating temperature of -20°C (-4°F) and 120/277VAC input
- Includes a mounting plate for easy, hands-free wiring to any standard 4" junction box
- "EM" option provides full 90 minutes of battery back up



DIMENSIONS



Approximate Weight: 17 lbs.

Specifications are subject to change without notice

ORDERING INFORMATION

TL408	CF	128	120/277	SZ120	PMJB
SERIES	LAMP	WATTS	VOLTS	OPTIONS (Factory Installed)	ACCESSORIES ² (Field Installed)
TL408	CF = Compact Fluorescent	52 = 26W x 2 64 = 32W x 2 84 = 42W x 2 104 = 26W x 4 128 = 32W x 4 168 = 42W x 4	120/277 = 120/277V		PMJB = Offset Pendant Mount J-Box SWPR = Swivel Pendant Mount (Round) SWPS = Swivel Pendant Mount (Square) RL408 = Replacement Lens
				SZXXX ¹ = Single Line Side Fuse (Specify 120 or 277V) QR150 = 150 Watt Quartz Restrike EM = Emergency Ballast USA = Meets Buy America Requirements	

¹ Specify 120 or 277V

² Order as Separate Line Item

TL508 LINEAR FLUORESCENT HIGH BAY LIGHTING



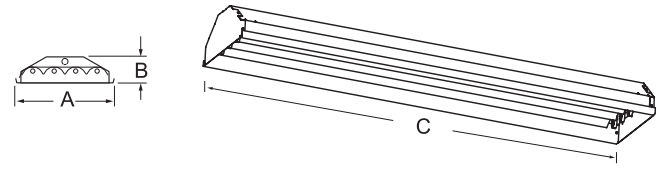
LAMPS NOT INCLUDED



FEATURES

- Durable, die formed heavy gauge steel with baked high-gloss enamel finish applied post fabrication
- Multiple knock-out locations and access plate for quick and simple installation
- Reflector is constructed of highly specular anodized aluminum providing superior reflectance and maximum USable lumens with the least amount of glare
- A 120/277VAC UL Listed programmed start electronic ballast standard with a TDH <10%, an HPF >0.99 and an "A" sound rating
- Ballast is thermally protected and automatic resetting, eliminating lamp flicker and providing instant on and instant restrike while maintaining light levels
- Optional emergency ballasts available
- Can be surface mounted, or mounted by chain and (2) fixture hooks (included standard)
- Lamps ordered separately

DIMENSIONS



	A	B	C
T5 4 Lamp:	13.375"	4.25"	47"
T5 6 Lamp:	18.5"	4.25"	49.25"
T8 4 Lamp:	13.375"	4.25"	47"
T8 6 Lamp:	18.5"	4.25"	49.25"

Weights

T5 4 Lamp:	36 lb.
T5 6 Lamp:	38 lb.
T8 4 Lamp:	37 lb.
T8 6 Lamp:	39 lb.

Specifications are subject to change without notice

ORDERING INFORMATION

TL508	6	T5HO	120/277	WG
SERIES	NUMBER OF LAMPS	LAMP TYPE	INPUT VOLTAGE	OPTIONS
TL508	4 = 4 Lamps 6 = 6 Lamps	T5HO = 54W T5HO T8 = 32W T8	120/277 = 120/277V	WG = Wireguard SFL = Slot Frame w/ Acrylic Lens

LC6120	
ACCESSORIES ¹ (Field Installed)	
OC508	= Occupancy Sensor
LC6120	= 6' Line Cord with 120V Straight Blade Plug
XEB-13	= 1300 Lumen Emergency Ballast
Fluorescent Lamps	
T5HO-54W-41K	= 54W T5HO 4100K
T5HO-54W-50K	= 54W T5HO 5000K
T8-32W-41K	= 32W T8 4100K
T8-32W-50K	= 32W T8 5000K

¹ Order as Separate Line Item

CF LIGHTING



TL701 43" DOME TOP ALUMINUM BOLLARDS IES TYPE 3 & 5



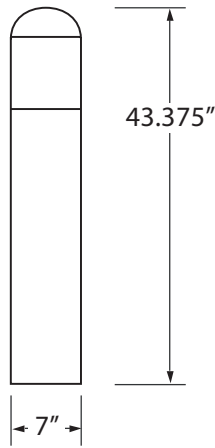
See Page: 68 for HID

FEATURES

- Durable, extruded aluminum enclosure available with white, black or bronze powder coated finish
- Enclosure is fully sealed and gasketed, and wet location listed
- Enclosure and hardware are corrosion resistant
- Available with a choice of IES Type 3 or Type 5 prismatic, borosilicate glass refractors
- Lamps and optics are protected by a high-impact, UV stabilized polycarbonate lens
- Lamps from 26 to 57 watts utilizing a GX24 universal base
- Electronic programmed start ballast
- Minimum operating temperature of -20°C (-4°F) and 120/277VAC input



DIMENSIONS



Approximate Weight: 16 lbs.

Specifications are subject to change without notice

ORDERING INFORMATION

TL701	CF	42	3	120/277	WH	SZ120	MK700-8
SERIES	LAMP	WATTS	REFRACTOR	VOLTS	COLOR	OPTIONS (Factory Installed)	ACCESSORIES ² (Field Installed)
TL701	CF = Compact Fluorescent	26 = 26W 32 = 32W 42 = 42W 57 = 57W	3 = IES Type 3 Refractor 5 = IES Type 5 Refractor	120/277 = 120/277V	Blank = Bronze WH = White BL = Black		MK700-4 = Replacement Mntg Kit, Brkt & 4" Anchor Bolts (Standard) MK700-8 = Mounting Kit, Brkt & 8" Anchor Bolts MK700-12 = Mounting Kit, Brkt & 12" Anchor Bolts MK700-15 = Mounting Kit, Brkt & 15" Anchor Bolts RL700 = Replacement Polycarbonate Lens
				SZXXX ¹ = Single Line Side Fuse (Specify 120 or 277V) USA = Meets Buy America Requirements			

¹ Specify 120 or 277V

² Order as Separate Line Item

TL702 43" DOME TOP ALUMINUM BOLLARDS FIXED REFLECTOR/LOUVRES



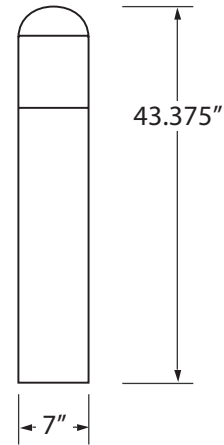
See Page: 69 for HID

FEATURES

- Durable, extruded aluminum enclosure available with white, black or bronze powder coated finish
- Enclosure is fully sealed and gasketed, and wet location listed
- Enclosure and hardware are corrosion resistant
- Available with a choice of fixed internal reflectors or fixed internal louvres
- Lamps and optics are protected by a high-impact, UV stabilized polycarbonate lens
- Lamps from 26 to 57 watts utilizing a GX24 universal base
- Electronic programmed start ballast
- Minimum operating temperature of -20°C (-4°F) and 120/277VAC input



DIMENSIONS



Approximate Weight: 16 lbs.

Specifications are subject to change without notice

ORDERING INFORMATION

TL702	CF	32	IL	120/277	WH	SZ120	MK700-8
SERIES	LAMP	WATTS	REFRACTOR	VOLTS	COLOR	OPTIONS (Factory Installed)	ACCESSORIES ² (Field Installed)
TL702	CF = Compact Fluorescent	26 = 26W 32 = 32W 42 = 42W 57 = 57W	IL = Internal Louvres IR = Internal Reflector	120/277 = 120/277V	Blank = Bronze WH = White BL = Black	SZXXX ¹ = Single Line Side Fuse (Specify 120 or 277V) USA = Meets Buy America Requirements	MK700-4 = Replacement Mntg Kit, Brkt & 4" Anchor Bolts (Standard) MK700-8 = Mounting Kit, Brkt & 8" Anchor Bolts MK700-12 = Mounting Kit, Brkt & 12" Anchor Bolts MK700-15 = Mounting Kit, Brkt & 15" Anchor Bolts RL700 = Replacement Polycarbonate Lens

¹ Specify 120 or 277V

² Order as Separate Line Item

TL704 43" FLAT TOP ALUMINUM BOLLARDS FIXED REFLECTOR/LOUVRES



See Page: 70 for HID

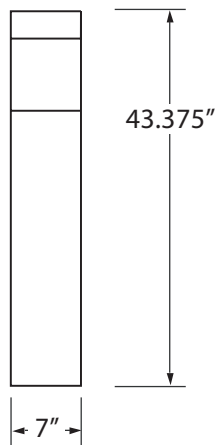


FEATURES

- Durable, extruded aluminum enclosure available with white, black or bronze powder coated finish
- Enclosure is fully sealed and gasketed, and wet location listed
- Enclosure and hardware are corrosion resistant
- Available with a choice of fixed internal reflectors or fixed internal louvres
- Lamps and optics are protected by a high-impact, UV stabilized polycarbonate lens
- Lamps from 26 to 57 watts utilizing a GX24 universal base
- Electronic programmed start ballast
- Minimum operating temperature of -20°C (-4°F) and 120/277VAC input



DIMENSIONS



Approximate Weight: 16 lbs.

Specifications are subject to change without notice

ORDERING INFORMATION

TL704	CF	32	IL	120/277	WH	SZ120	MK700-8
SERIES	LAMP	WATTS	REFRACTOR	VOLTS	COLOR	OPTIONS (Factory Installed)	ACCESSORIES ² (Field Installed)
TL704	CF = Compact Fluorescent	26 = 26W 32 = 32W 42 = 42W 57 = 57W	IL = Internal Louvres IR = Internal Reflector	120/277 = 120/277V	Blank = Bronze WH = White BL = Black		MK700-4 = Replacement Mntg Kit, Brkt & 4" Anchor Bolts (Standard) MK700-8 = Mounting Kit, Brkt & 8" Anchor Bolts MK700-12 = Mounting Kit, Brkt & 12" Anchor Bolts MK700-15 = Mounting Kit, Brkt & 15" Anchor Bolts RL700 = Replacement Polycarbonate Lens
				SZXXX ¹ = Single Line Side Fuse (Specify 120 or 277V) USA = Meets Buy America Requirements			

¹ Specify 120 or 277V
² Order as Separate Line Item

CF LIGHTING

TL802 SECURITY LIGHTING VAPORPROOF

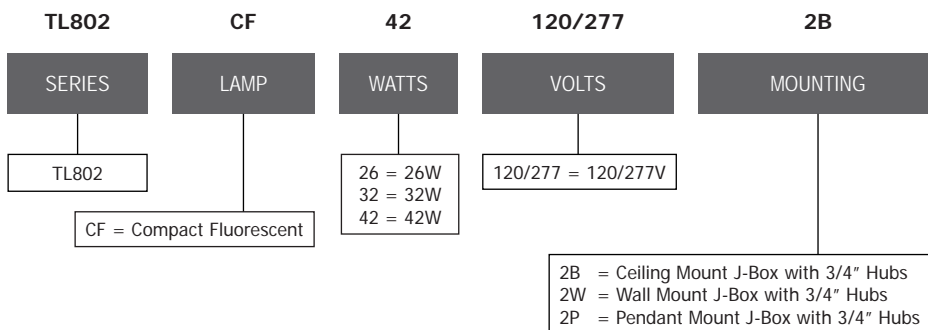
See Page: 71 for INC
72 for HID

FEATURES

- Features a heavy duty, die-cast aluminum housing with a paintable textured grey powdercoated finish
- Aluminum guard threads on to the housing and is secured with a headless set screw
- UL Listed for wet locations and complies with UL Standard 1598 for non-hazardous locations
- Lamp is protected by a heat and impact resistant clear glass globe standard, frosted glass globe available
- Universal GX24 compact fluorescent socket with 8" high temperature wire leads, accepts 26, 32 or 42 watt lamps
- Electronic programmed start ballast
- Minimum operating temperature of -20°C (-4°F) and 120/277VAC input
- Available in wall mount, ceiling mount and pendant mount styles
- A weatherproof junction box with 3/4" NPT hubs and rugged mounting tabs is included with both ceiling and wall mount units
- Full line of accessories with matching grey textured powdercoated finish is available

Specifications are subject to change without notice

ORDERING INFORMATION



¹ Ceiling and Pendant Mount Only
² Pendant Mount Only
³ Order as Separate Line Item



TL802-2B

TL802-2W



DIMENSIONS

MOUNTING	WIDTH	HEIGHT *	DEPTH
CEILING	7 1/8"	15"	7 1/8"
WALL	7 1/8"	18 1/4"	7 1/8"
PENDANT	7 1/8"	14 3/4"	7 1/8"

* Height of wall mount is from top edge of the wall plate to the bottom of guard.

Approximate Weight: 6 lbs.

SS800-300	
ACCESSORIES ³ (Field Installed)	
TL800-CA1 ²	= 3/4" Cowl Arm Adapter
SS800-300 ¹	= Straight Shade
SWG800 ¹	= Wire Guard for Straight Shades
AS800-300 ¹	= Angled Shade
AWG800 ¹	= Wire Guard for Angled Shades
FG800-300	= Frosted Globe
CG800-300	= Replacement Clear Globe
CWG800-300	= Replacement Cast Wire Guard
SWPS500	= Swivel Pendant Mount (Square Box)
SWPR500	= Swivel Pendant Mount (Round Box)
WPBR1	= Round Weather Proof Box w/(5) 1/2" Hubs
WPBR2	= Round Weather Proof Box w/(5) 3/4" Hubs
WPBRC	= Round Weather Proof Box Cover w/(3) 3/4" Hubs



 **TRACE LITE**
commercial & industrial lighting



Explore the Barron Lighting Group online at www.barronltg.com. Quickly and easily navigate through all of our divisions for product information, spec sheets, photometrics and instructions.

www.barronltg.com

