

# MODULAR

---



Patch Cables.....	120
Modular Cables.....	128
Modular Plugs.....	138
Patch Panels.....	139
Keystone Jacks.....	140
Modular Connectors.....	141

**Cat5e UTP Patch Cable**, color cable, 0.5 - 30 meters

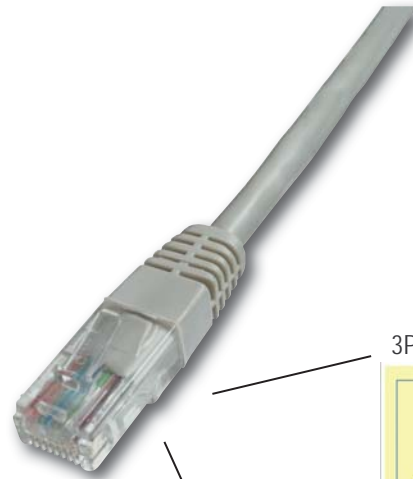
USB & IEEE  
IDC & Flat Ribbon  
IC, PLCC, Pin & Jumpers  
DSUB & Centronics  
Waterproof  
DVI & HDMI  
Modular

Spot length on boot

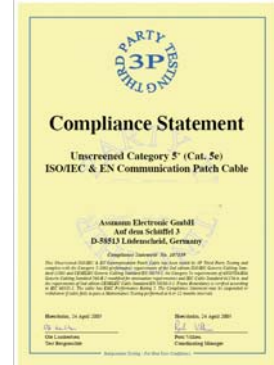


**Material:**

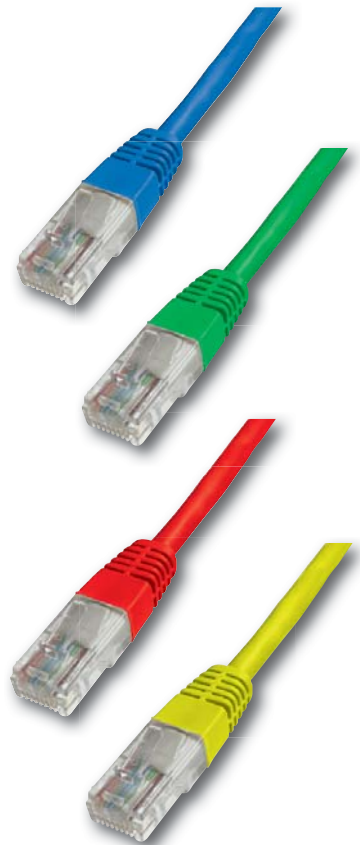
Unshielded Cat5e Patch Cable  
4 x 2AWG 24/7, twisted pair, 100Ω  
2 x RJ45 Connectors, 50µ" Gold plated  
Kink protection and strain relief  
Spot length on boot  
3P Cat5e certified  
Connection is 1:1



3P CAT 5e Class D certified



50µ" gold plated RJ45 Connector



Please choose your requested product by the corresponding part number.

	GREY	RED	YELLOW	GREEN	BLUE
0.5M	A-MCUP-80005-R	A-MCUP-80005/R-R	A-MCUP-80005/Y-R	A-MCUP-80005/G-R	A-MCUP-80005/B-R
1M	A-MCUP-80010-R	A-MCUP-80010/R-R	A-MCUP-80010/Y-R	A-MCUP-80010/G-R	A-MCUP-80010/B-R
2M	A-MCUP-80020-R	A-MCUP-80020/R-R	A-MCUP-80020/Y-R	A-MCUP-80020/G-R	A-MCUP-80020/B-R
3M	A-MCUP-80030-R	A-MCUP-80030/R-R	A-MCUP-80030/Y-R	A-MCUP-80030/G-R	A-MCUP-80030/B-R
5M	A-MCUP-80050-R	A-MCUP-80050/R-R	A-MCUP-80050/Y-R	A-MCUP-80050/G-R	A-MCUP-80050/B-R
7M	A-MCUP-80070-R	A-MCUP-80070/R-R	A-MCUP-80070/Y-R	A-MCUP-80070/G-R	A-MCUP-80070/B-R
10M	A-MCUP-80100-R	A-MCUP-80100/R-R	A-MCUP-80100/Y-R	A-MCUP-80100/G-R	A-MCUP-80100/B-R
15M	A-MCUP-80150-R	A-MCUP-80150/R-R	A-MCUP-80150/Y-R	A-MCUP-80150/G-R	A-MCUP-80150/B-R
20M	A-MCUP-80200-R	A-MCUP-80200/R-R	A-MCUP-80200/Y-R	A-MCUP-80200/G-R	A-MCUP-80200/B-R
30M	A-MCUP-80300-R	A-MCUP-80300/R-R	A-MCUP-80300/Y-R	A-MCUP-80300/G-R	A-MCUP-80300/B-R

Fiber-Optic  
Power Cards  
Wire to Board  
SATA & eSATA  
FFC/FFC  
MiniDIN & Audio  
KVM Cables

**Cat5e FTP Patch Cable**, color cable, 0.3 - 30 meters

Spot length on boot

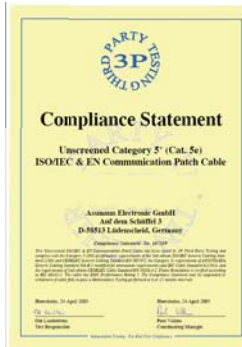


**Material:**

Foil shielded Cat5e Patch Cable  
 26AWG, twisted pair, 100Ω  
 2 x RJ45 Connectors, 50μ" Gold plated  
 Kink protection and strain relief  
 Spot length on boot  
 3P Cat5e certified

50μ" gold plated RJ45 Connector

3P CAT 5e Class D certified



USB & IEEE  
 IDC & Flat Ribbon  
 IC, PLCC, Pin & Jumpers  
 DSub & Centronics  
 Waterproof  
 DVI & HDMI  
 Modular  
 Fiber-Optic  
 Power Cords  
 Wire to Board  
 SATA & eSATA  
 FFC/FFC  
 MiniDIN & Audio  
 KVM Cables

Please choose your requested product by the corresponding part number.

	GREY	RED	YELLOW	GREEN	BLUE	CROSSOVER
0.3M						A-MCKP-80003
0.5M	A-MCSP-80005-R	A-MCSP-80005/R-R	A-MCSP-80005/Y-R	A-MCSP-80005/G-R	A-MCSP-80005/B-R	A-MCKP-80005-R
1M	A-MCSP-80010-R	A-MCSP-80010/R-R	A-MCSP-80010/Y-R	A-MCSP-80010/G-R	A-MCSP-80010/B-R	A-MCKP-80010-R
2M	A-MCSP-80020-R	A-MCSP-80020/R-R	A-MCSP-80020/Y-R	A-MCSP-80020/G-R	A-MCSP-80020/B-R	A-MCKP-80020-R
3M	A-MCSP-80030-R	A-MCSP-80030/R-R	A-MCSP-80030/Y-R	A-MCSP-80030/G-R	A-MCSP-80030/B-R	A-MCKP-80030-R
5M	A-MCSP-80050-R	A-MCSP-80050/R-R	A-MCSP-80050/Y-R	A-MCSP-80050/G-R	A-MCSP-80050/B-R	A-MCKP-80050-R
7M	A-MCSP-80070-R	A-MCSP-80070/R-R	A-MCSP-80070/Y-R	A-MCSP-80070/G-R	A-MCSP-80070/B-R	A-MCKP-80070-R
10M	A-MCSP-80100-R	A-MCSP-80100/R-R	A-MCSP-80100/Y-R	A-MCSP-80100/G-R	A-MCSP-80100/B-R	A-MCKP-80100-R
15M	A-MCSP-80150-R					A-MCKP-80150-R
20M	A-MCSP-80200-R					A-MCKP-80200-R
30M	A-MCSP-80300-R					A-MCKP-80300-R



**Cat5e SFTP Patch Cable**, color cable, 0.5 - 30 meters

USB & IEEE  
IDC & Flat Ribbon  
IC, PLCC, Pin & Jumpers  
DSUB & Centronics  
Waterproof  
DVI & HDMI  
Modular

Spot length on boot



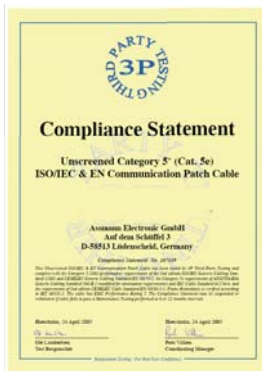
**Material:**

Foil and Braid shielded Cat5e Patch Cable  
4 x 2AWG 26/7, twisted pair, 100Ω  
2 x RJ45 Connectors, 50µ" Gold plated  
Kink protection and strain relief  
Spot length on boot  
3P Cat5e certified



50µ" gold plated RJ45 Connector

3P CAT 5e Class D certified



Fiber-Optic  
Power Cords  
Wire to Board  
SATA & eSATA  
FFC/FPC  
MiniDIN & Audio  
KVM Cables

Please choose your requested product by the corresponding part number.

	GREY	RED	YELLOW	GREEN	BLUE	CROSSOVER
0.5M	A-MC SSP-80005-R	A-MC SSP-80005/R-R	A-MC SSP-80005/Y-R	A-MC SSP-80005/G-R	A-MC SSP-80005/B-R	A-MCK SSP-80005-R
1M	A-MC SSP-80010-R	A-MC SSP-80010/R-R	A-MC SSP-80010/Y-R	A-MC SSP-80010/G-R	A-MC SSP-80010/B-R	A-MCK SSP-80010-R
2M	A-MC SSP-80020-R	A-MC SSP-80020/R-R	A-MC SSP-80020/Y-R	A-MC SSP-80020/G-R	A-MC SSP-80020/B-R	A-MCK SSP-80020-R
3M	A-MC SSP-80030-R	A-MC SSP-80030/R-R	A-MC SSP-80030/Y-R	A-MC SSP-80030/G-R	A-MC SSP-80030/B-R	A-MCK SSP-80030-R
5M	A-MC SSP-80050-R	A-MC SSP-80050/R-R	A-MC SSP-80050/Y-R	A-MC SSP-80050/G-R	A-MC SSP-80050/B-R	A-MCK SSP-80050-R
7M	A-MC SSP-80070-R	A-MC SSP-80070/R-R	A-MC SSP-80070/Y-R	A-MC SSP-80070/G-R	A-MC SSP-80070/B-R	
10M	A-MC SSP-80100-R	A-MC SSP-80100/R-R	A-MC SSP-80100/Y-R	A-MC SSP-80100/G-R	A-MC SSP-80100/B-R	A-MCK SSP-80100-R
15M	A-MC SSP-80150-R	A-MC SSP-80150/R-R	A-MC SSP-80150/Y-R	A-MC SSP-80150/G-R	A-MC SSP-80150/B-R	A-MCK SSP-80150-R
20M	A-MC SSP-80200-R	A-MC SSP-80200/R-R	A-MC SSP-80200/Y-R	A-MC SSP-80200/G-R	A-MC SSP-80200/B-R	A-MCK SSP-80200-R
30M	A-MC SSP-80300-R	A-MC SSP-80300/R-R	A-MC SSP-80300/Y-R	A-MC SSP-80300/G-R	A-MC SSP-80300/B-R	A-MCK SSP-80300-R

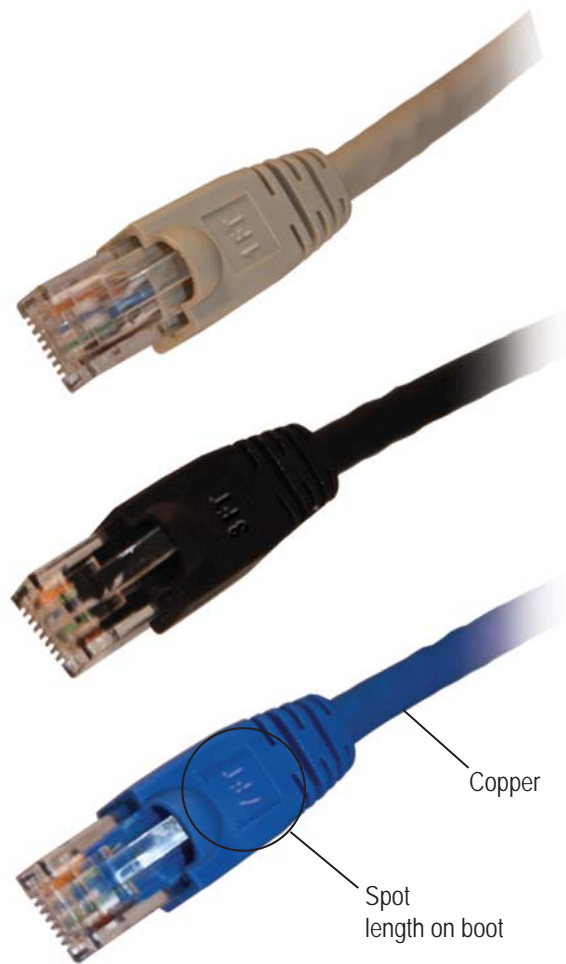
Premium Cat5e U-UTP Booted Patch Cable, color cable, 1-100 feet

Ready for PoE



**Material:**

Unshielded Cat5e Patch Cable, stranded  
 4 x 2AWG, twisted pair, 7\*0.19±0.15MM  
 OD: ø6.0MM±0.30MM  
 Insulation: HDPE-8380  
 Jacket: PVC LD-4  
 Contact plug: RJ45, 50µ\*, unshielded  
 568B Color wire standard  
 Molded snagless boot with strain relief  
 Spot length on boot  
 Connection is 1:1



Please chose your selected Cat 5e patch cable number from the matrix below.

	grey	blue	black	white
1 Ft	DK-1611-001/G	DK-1611-001/B	DK-1611-001/BL	DK-1611-001/WH
3 Ft	DK-1611-003/G	DK-1611-003/B	DK-1611-003/BL	DK-1611-003/WH
5 Ft	DK-1611-005/G	DK-1611-005/B	DK-1611-005/BL	DK-1611-005/WH
7 Ft	DK-1611-007/G	DK-1611-007/B	DK-1611-007/BL	DK-1611-007/WH
10 Ft	DK-1611-010/G	DK-1611-010/B	DK-1611-010/BL	DK-1611-010/WH
15 Ft	DK-1611-015/G	DK-1611-015/B	DK-1611-015/BL	DK-1611-015/WH
20 Ft	DK-1611-020/G	DK-1611-020/B	DK-1611-020/BL	DK-1611-020/WH
25 Ft	DK-1611-025/G	DK-1611-025/B	DK-1611-025/BL	DK-1611-025/WH
50 Ft	DK-1611-050/G	DK-1611-050/B	DK-1611-050/BL	DK-1611-050/WH
100 Ft	DK-1611-100/G	DK-1611-100/B	DK-1611-100/BL	DK-1611-100/WH

USB & IEEE  
 IDC & Flat Ribbon  
 IC, PLCC, Pin & Jumpers  
 DSub & Centronics  
 Waterproof  
 DVI & HDMI  
 Modular  
 Fiber-Optic  
 Power Cords  
 Wire to Board  
 SATA & eSATA  
 FFC/FPC  
 MiniDIN & Audio  
 KVM Cables

**Cat6 UTP Patch Cable**, color cable, 0.5 - 30 meters

USB & IEEE  
IDC & Flat Ribbon  
IC, PLCC, Pin & Jumpers  
DSUB & Centronics  
Waterproof  
DVI & HDMI  
Modular

Spot length on boot



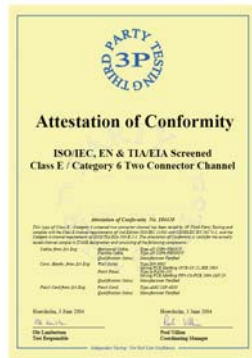
**Material:**

Unshielded Cat6 Patch Cable  
4 x 2AWG 24/7, twisted pair, 100Ω  
2 x RJ45 Connectors, 50µ" Gold plated  
Kink protection and strain relief  
Spot length on boot  
3P Cat6 certified  
Connection is 1:1



3P CAT 6 Class E certified

50µ" gold plated RJ45 Connector



Please choose your requested product by the corresponding part number.

	GREY	RED	YELLOW	GREEN	BLUE
0.5M	A-MCU60005-R	A-MCU60005/R-R	A-MCU60005/Y-R	A-MCU60005/G-R	A-MCU60005/B-R
1M	A-MCU60010-R	A-MCU60010/R-R	A-MCU60010/Y-R	A-MCU60010/G-R	A-MCU60010/B-R
2M	A-MCU60020-R	A-MCU60020/R-R	A-MCU60020/Y-R	A-MCU60020/G-R	A-MCU60020/B-R
3M	A-MCU60030-R	A-MCU60030/R-R	A-MCU60030/Y-R	A-MCU60030/G-R	A-MCU60030/B-R
5M	A-MCU60050-R	A-MCU60050/R-R	A-MCU60050/Y-R	A-MCU60050/G-R	A-MCU60050/B-R
7M	A-MCU60070-R	A-MCU60070/R-R	A-MCU60070/Y-R	A-MCU60070/G-R	A-MCU60070/B-R
10M	A-MCU60100-R	A-MCU60100/R-R	A-MCU60100/Y-R	A-MCU60100/G-R	A-MCU60100/B-R
15M	A-MCU60150-R				
20M	A-MCU60200-R				
30M	A-MCU60300-R				

Fiber-Optic  
Power Cords  
Wire to Board  
SATA & eSATA  
FFC/FFPC  
MiniDIN & Audio  
KVM Cables

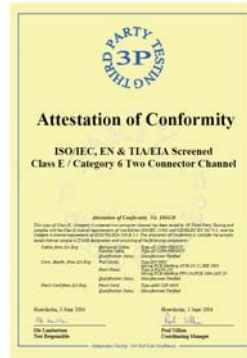
**Cat5e SSTP Patch Cable**, color cable, 0.5 - 30 meters

Spot length on boot



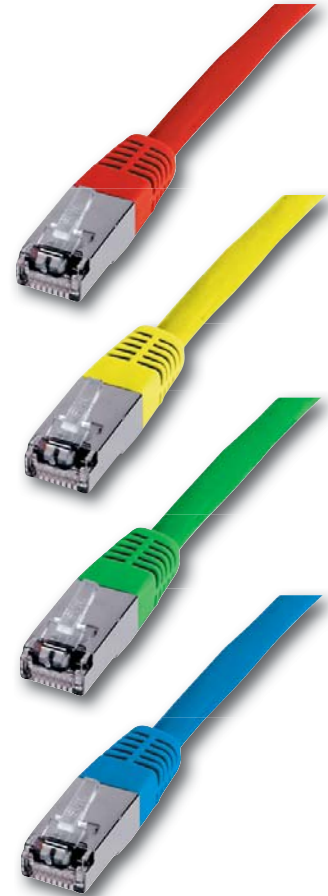
3P CAT 6 Class E certified

50µm gold plated RJ45 Connector



**Material:**

- Pairs with Foil and Full Braid shielding (PIMF) patch cable
- 4 x 2AWG 26/7, twisted pair, 100Ω
- 2 x RJ45 Shielded Connectors, 50µm Gold plated
- Kink protection and strain relief
- Spot length on boot
- 3P Cat6 certified



USB & IEEE  
IDC & Flat Ribbon  
IC, PLCC, Pin & Jumpers  
DSUB & Centronics  
Waterproof  
DVI & HDMI  
Modular  
Fiber-Optic  
Power Cords  
Wire to Board  
SATA & eSATA  
FFC/FFC  
MiniDIN & Audio  
KVM Cables

Please choose your requested product by the corresponding article number or the EAN code.

	GREY	RED	YELLOW	GREEN	BLUE	CROSSOVER
0.5M	A-MCSSP60005-R	A-MCSSP60005/R	A-MCSSP60005/Y-R	A-MCSSP60005/G-R	A-MCSSP60005/B-R	A-MCKSSP60005-R
1M	A-MCSSP60010-R	A-MCSSP60010/R	A-MCSSP60010/Y-R	A-MCSSP60010/G-R	A-MCSSP60010/B-R	A-MCKSSP60010-R
2M	A-MCSSP60020-R	A-MCSSP60020/R	A-MCSSP60020/Y-R	A-MCSSP60020/G-R	A-MCSSP60020/B-R	A-MCKSSP60020-R
3M	A-MCSSP60030-R	A-MCSSP60030/R	A-MCSSP60030/Y-R	A-MCSSP60030/G-R	A-MCSSP60030/B-R	A-MCKSSP60030-R
5M	A-MCSSP60050-R	A-MCSSP60050/R	A-MCSSP60050/Y-R	A-MCSSP60050/G-R	A-MCSSP60050/B-R	A-MCKSSP60050-R
7M	A-MCSSP60070-R	A-MCSSP60070/R	A-MCSSP60070/Y-R	A-MCSSP60070/G-R	A-MCSSP60070/B-R	A-MCKSSP60070-R
10M	A-MCSSP60100-R	A-MCSSP60100/R	A-MCSSP60100/Y-R	A-MCSSP60100/G-R	A-MCSSP60100/B-R	A-MCKSSP60100-R
15M	A-MCSSP60150-R					A-MCKSSP60150-R
20M	A-MCSSP60200-R					A-MCKSSP60200-R
30M	A-MCSSP60300-R					A-MCKSSP60300-R



**Cat6 SSTP Patch Cable**, Halogen free, Grey, 1-30 meters

USB & IEEE  
IDC & Flat Ribbon  
IC, PLCC, Pin & Jumpers  
DSUB & Centronics  
Waterproof  
DVI & HDMI  
Modular

	CAT 6 PIMF	
1M	A-MCSSHP60010-R	
2M	A-MCSSHP60020-R	
3M	A-MCSSHP60030-R	
5M	A-MCSSHP60050-R	
7M	A-MCSSHP60070-R	
10M	A-MCSSHP60100-R	
15M	A-MCSSHP60150-R	
20M	A-MCSSHP60200-R	
30M	A-MCSSHP60300-R	

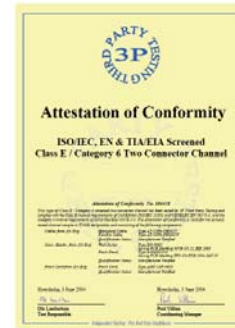
**Material:**

Pairs with Foil and Full Braid shielding (PIMF) patch cable  
4 x 2AWG 26/7, twisted pair, 100Ω  
2 x RJ45 Connectors, 50µ" Gold plated  
Kink protection and strain relief  
Halogenfree  
3P Cat6 certified  
Connection is 1:1



50µ" gold plated RJ45 Connector

3P CAT 6 Class E certified



**Cat7 PIMF Patch Cable**, Halogen free, Grey, 1-30 meters

Fiber-Optic  
Power Cords  
Wire to Board  
SATA & eSATA  
FFC/FFC  
MiniDIN & Audio  
KVM Cables

	CAT 7 PIMF	
1M	A-MCPITH80010-R	
2M	A-MCPITH80020-R	
3M	A-MCPITH80030-R	
5M	A-MCPITH80050-R	
7M	A-MCPITH80070-R	
10M	A-MCPITH80100-R	
15M	A-MCPITH80150-R	
20M	A-MCPITH80200-R	
30M	A-MCPITH80300-R	

**Material:**

Pairs with Foil and Full Braid shielding (PIMF) patch cable  
4 x 2AWG 26/7, twisted pair, 100Ω  
2 x RJ45 Connectors, 50µ" Gold plated  
Kink protection and strain relief  
Halogenfree  
Connection is 1:1



50µ" gold plated RJ45 Connector

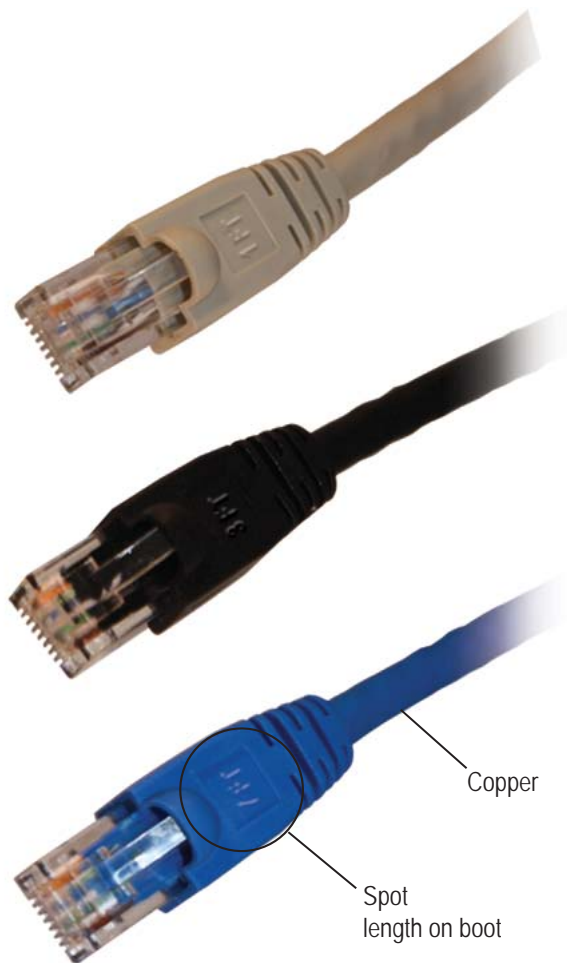
Premium Cat6 U-UTP Booted Patch Cable, color cable, 1-100 feet

Ready for PoE



**Material:**

Unshielded Cat6 Patch Cable, stranded  
 4 x 2AWG, twisted pair, 7\*0.19±0.15MM  
 OD: ø6.0MM±0.30MM  
 Insulation: HDPE-8380  
 Jacket: PVC LD-4  
 Contact plug: RJ45, 50µ\*, unshielded  
 568B Color wire standard  
 Molded snagless boot with strain relief  
 Spot length on boot  
 Connection is 1:1



Please chose your selected Cat6 patch cable number from the matrix below.

	grey	blue	black	white
1 Ft	DK-1511-001/G	DK-1511-001/B	DK-1511-001/BL	DK-1511-001/WH
3 Ft	DK-1511-003/G	DK-1511-003/B	DK-1511-003/BL	DK-1511-003/WH
5 Ft	DK-1511-005/G	DK-1511-005/B	DK-1511-005/BL	DK-1511-005/WH
7 Ft	DK-1511-007/G	DK-1511-007/B	DK-1511-007/BL	DK-1511-007/WH
10 Ft	DK-1511-010/G	DK-1511-010/B	DK-1511-010/BL	DK-1511-010/WH
15 Ft	DK-1511-015/G	DK-1511-015/B	DK-1511-015/BL	DK-1511-015/WH
20 Ft	DK-1511-020/G	DK-1511-020/B	DK-1511-020/BL	DK-1511-020/WH
25 Ft	DK-1511-025/G	DK-1511-025/B	DK-1511-025/BL	DK-1511-025/WH
50 Ft	DK-1511-050/G	DK-1511-050/B	DK-1511-050/BL	DK-1511-050/WH
100 Ft	DK-1511-100/G	DK-1511-100/B	DK-1511-100/BL	DK-1511-100/WH

USB & IEEE  
 IDC & Flat Ribbon  
 IC, PLCC, Pin & Jumpers  
 DSub & Centronics  
 Waterproof  
 DVI & HDMI  
 Modular  
 Fiber-Optic  
 Power Cords  
 Wire to Board  
 SATA & eSATA  
 FFC/FPC  
 MiniDIN & Audio  
 KVM Cables

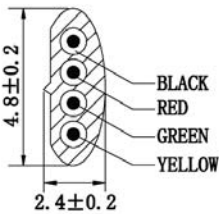
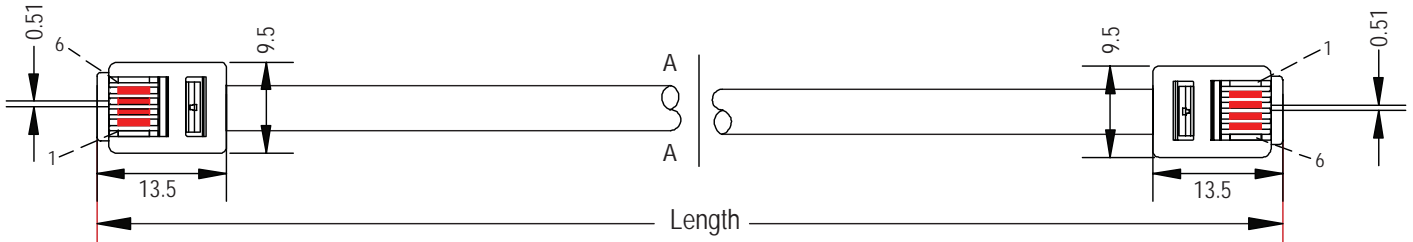


**Modular Cable - Straight**, color cable, 4-8 contacts, 5-25 feet

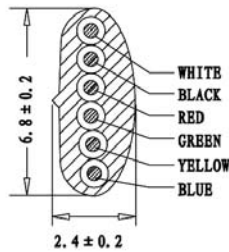
USB & IEEE  
IDC & Flat Ribbon  
IC, PLCC, Pin & Jumpers  
DSUB & Centronics  
Waterproof  
DVI & HDMI  
Modular  
Fiber-Optic  
Power Cords  
Wire to Board  
SATA & eSATA  
FFC/FFC  
MiniDIN & Audio  
KVM Cables



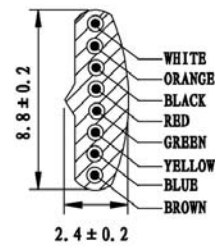
6 Contact/Conductor diagram\*



P1	P2
1 BLACK	4
2 RED	3
3 GREEN	2
4 YELLOW	1



P1	P2
1 WHITE	6
2 BLACK	5
3 RED	4
4 GREEN	3
5 YELLOW	2
6 BLUE	1



P1	P2
1 WHITE	8
2 ORANGE	7
3 BLACK	6
4 RED	5
5 GREEN	4
6 YELLOW	3
7 BLUE	2
8 BROWN	1

**SEC:A=A**

**Material:**

Conductor: 26AWG(0.16/7) Bare Copper  
Connector: 2 with 50µm\* Gold contact plating  
Jacket: PVC NOUL 65P



NOTE: ABOVE LAYOUT MAY CONTAIN VARIANCES. FOR A DETAILED DRAWING PLEASE CALL 1-877-277-6266 OR GO TO WWW.ASSMANN.US

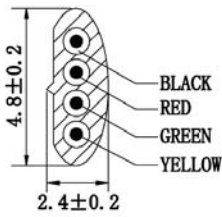
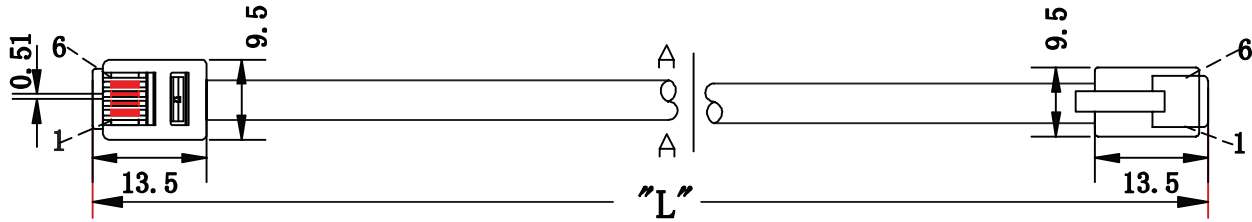
Unit: MM

Assmann Part Number (Standard Stocking Item)	Conductors	Color	Length	Assmann Part Number (Standard Stocking Item)	Conductors	Color	Length
<b>Length 5 ft</b>				<b>Length 14 ft</b>			
AT-S-26-4/4/B-5-R	4	Black	5 ft.	AT-S-26-4/4/B-14-R	4	Black	14 ft.
AT-S-26-4/4/S-5-R	4	Silver	5 ft	AT-S-26-4/4/S-14-R	4	Silver	14 ft
AT-S-26-4/4/W-5-R	4	White	5 ft	AT-S-26-4/4/W-14-R	4	White	14 ft
AT-S-26-6/6/B-5-R	6	Black	5 ft.	AT-S-26-6/6/B-14-R	6	Black	14 ft.
AT-S-26-6/6/S-5-R	6	Silver	5 ft	AT-S-26-6/6/S-14-R	6	Silver	14 ft
AT-S-26-6/6/W-5-R	6	White	5 ft	AT-S-26-6/6/W-14-R	6	White	14 ft
AT-S-26-8/8/B-5-R	8	Black	5 ft.	AT-S-26-8/8/B-14-R	8	Black	14 ft.
AT-S-26-8/8/S-5-R	8	Silver	5 ft	AT-S-26-8/8/S-14-R	8	Silver	14 ft
AT-S-26-8/8/W-5-R	8	White	5 ft	AT-S-26-8/8/W-14-R	8	White	14 ft
<b>Length 7 ft</b>				<b>Length 25 ft</b>			
AT-S-26-4/4/B-7-R	4	Black	7 ft.	AT-S-26-4/4/B-25-R	4	Black	25 ft.
AT-S-26-4/4/S-7-R	4	Silver	7 ft	AT-S-26-4/4/S-25-R	4	Silver	25 ft
AT-S-26-4/4/W-7-R	4	White	7 ft	AT-S-26-4/4/W-25-R	4	White	25 ft
AT-S-26-6/6/B-7-R	6	Black	7 ft.	AT-S-26-6/6/B-25-R	6	Black	25 ft.
AT-S-26-6/6/S-7-R	6	Silver	7 ft	AT-S-26-6/6/S-25-R	6	Silver	25 ft
AT-S-26-6/6/W-7-R	6	White	7 ft	AT-S-26-6/6/W-25-R	6	White	25 ft
AT-S-26-8/8/B-7-R	8	Black	7 ft.	AT-S-26-8/8/B-25-R	8	Black	25 ft.
AT-S-26-8/8/S-7-R	8	Silver	7 ft	AT-S-26-8/8/S-25-R	8	Silver	25 ft
AT-S-26-8/8/W-7-R	8	White	7 ft	AT-S-26-8/8/W-25-R	8	White	25 ft

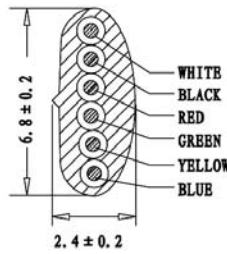
**Modular Cable - Straight/Reversed**, color cable, 4-8 contacts, 5-25 feet



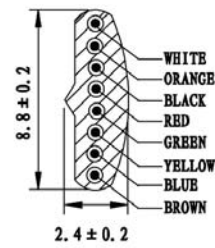
6 Contact/Conductor diagram\*



P1	P2
1 BLACK	4
2 RED	3
3 GREEN	2
4 YELLOW	1



P1	P2
1 WHITE	6
2 BLACK	5
3 RED	4
4 GREEN	3
5 YELLOW	2
6 BLUE	1



P1	P2
1 WHITE	8
2 ORANGE	7
3 BLACK	6
4 RED	5
5 GREEN	4
6 YELLOW	3
7 BLUE	2
8 BROWN	1

**Material:**

Conductor: 26AWG(0.16/7) Bare Copper  
 Connector: 2 with 50µm Gold contact plating  
 Jacket: PVC NOUL 65P



**SEC:A=A**

NOTE: ABOVE LAYOUT MAY CONTAIN VARIANCES. FOR A DETAILED DRAWING PLEASE CALL 1-877-277-6266 OR GO TO WWW.ASSMANN.US

Unit: MM

Assmann Part Number (Standard Stocking Item)	Conductors	Color	Length	Assmann Part Number (Standard Stocking Item)	Conductors	Color	Length
<b>Length 5 ft</b>				<b>Length 14 ft</b>			
AT-S-26-4/4/B-5/R-R	4	Black	5 ft.	AT-S-26-4/4/B-14/R-R	4	Black	14 ft.
AT-S-26-4/4/S-5/R-R	4	Silver	5 ft	AT-S-26-4/4/S-14/R-R	4	Silver	14 ft
AT-S-26-4/4/W-5/R-R	4	White	5 ft	AT-S-26-4/4/W-14/R-R	4	White	14 ft
AT-S-26-6/6/B-5/R-R	6	Black	5 ft.	AT-S-26-6/6/B-14/R-R	6	Black	14 ft.
AT-S-26-6/6/S-5/R-R	6	Silver	5 ft	AT-S-26-6/6/S-14/R-R	6	Silver	14 ft
AT-S-26-6/6/W-5/R-R	6	White	5 ft	AT-S-26-6/6/W-14/R-R	6	White	14 ft
AT-S-26-8/8/B-5/R-R	8	Black	5 ft.	AT-S-26-8/8/B-14/R-R	8	Black	14 ft.
AT-S-26-8/8/S-5/R-R	8	Silver	5 ft	AT-S-26-8/8/S-14/R-R	8	Silver	14 ft
AT-S-26-8/8/W-5/R-R	8	White	5 ft	AT-S-26-8/8/W-14/R-R	8	White	14 ft
<b>Length 7 ft</b>				<b>Length 25 ft</b>			
AT-S-26-4/4/B-7/R-R	4	Black	7 ft.	AT-S-26-4/4/B-25/R-R	4	Black	25 ft.
AT-S-26-4/4/S-7/R-R	4	Silver	7 ft	AT-S-26-4/4/S-25/R-R	4	Silver	25 ft
AT-S-26-4/4/W-7/R-R	4	White	7 ft	AT-S-26-4/4/W-25/R-R	4	White	25 ft
AT-S-26-6/6/B-7/R-R	6	Black	7 ft.	AT-S-26-6/6/B-25/R-R	6	Black	25 ft.
AT-S-26-6/6/S-7/R-R	6	Silver	7 ft	AT-S-26-6/6/S-25/R-R	6	Silver	25 ft
AT-S-26-6/6/W-7/R-R	6	White	7 ft	AT-S-26-6/6/W-25/R-R	6	White	25 ft
AT-S-26-8/8/B-7/R-R	8	Black	7 ft.	AT-S-26-8/8/B-25/R-R	8	Black	25 ft.
AT-S-26-8/8/S-7/R-R	8	Silver	7 ft	AT-S-26-8/8/S-25/R-R	8	Silver	25 ft
AT-S-26-8/8/W-7/R-R	8	White	7 ft	AT-S-26-8/8/W-25/R-R	8	White	25 ft

USB & IEEE  
 IDC & Flat Ribbon  
 IC, PLCC, Pin & Jumpers  
 DSub & Centronics  
 Waterproof  
 DVI & HDMI  
 Modular  
 Fiber-Optic  
 Power Cords  
 Wire to Board  
 SATA & eSATA  
 MiniDIN & Audio  
 KVM Cables

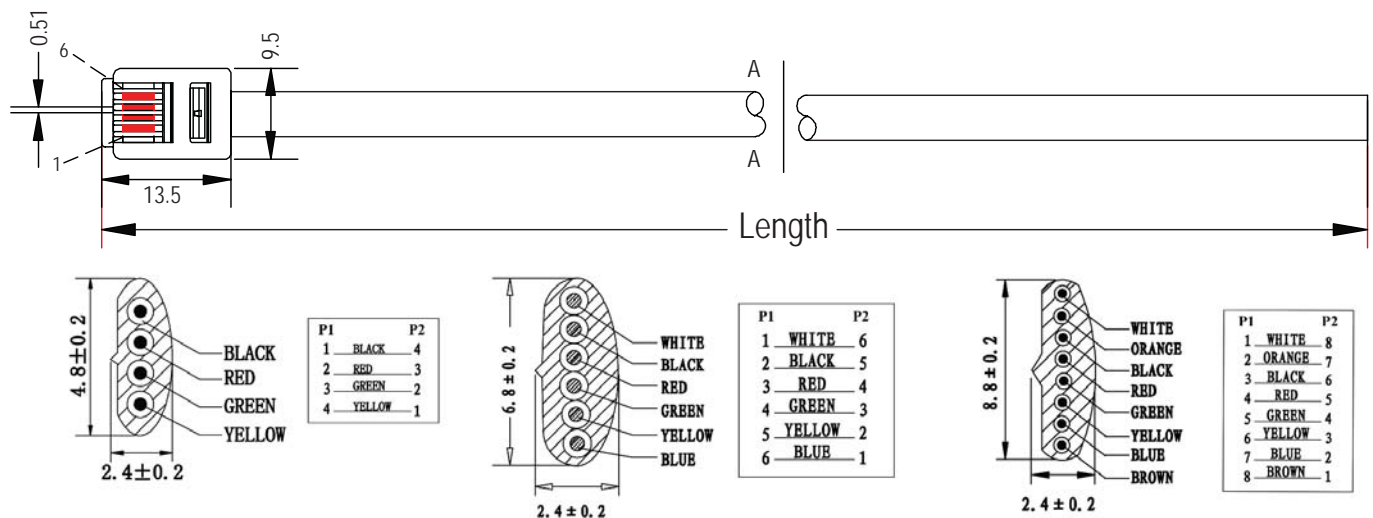


**Modular Cable - Straight/Open End**, color cable, 4-8 contacts, 5-25 feet

USB & IEEE  
IDC & Flat Ribbon  
IC, PLCC, Pin & Jumpers  
DSUB & Centronics  
Waterproof  
DVI & HDMI  
Modular  
Fiber-Optic  
Power Cords  
Wire to Board  
SATA & eSATA  
FFC/FFC  
MiniDIN & Audio  
KVM Cables



6 Contact/Conductor diagram\*



**Material:**

Conductor: 26AWG(0.16/7) Bare Copper  
Connector: 2 with 50µm\* Gold contact plating  
Jacket: PVC NOUL 65P



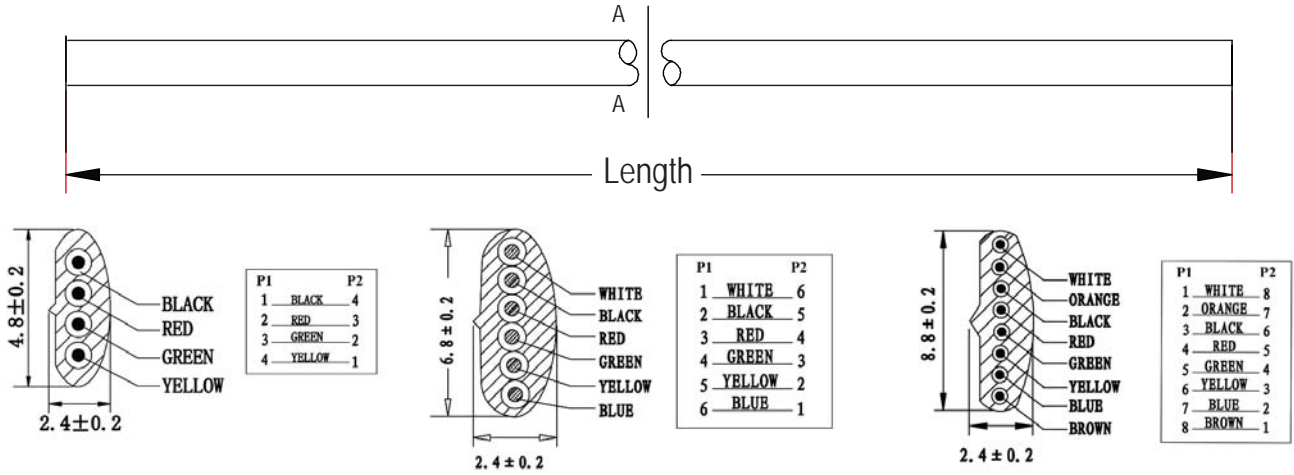
**SEC:A=A**

NOTE: ABOVE LAYOUT MAY CONTAIN VARIANCES. FOR A DETAILED DRAWING PLEASE CALL 1-877-277-6266 OR GO TO WWW.ASSMANN.US

Unit: MM

Assmann Part Number (Standard Stocking Item)	Conductors	Color	Length	Assmann Part Number (Standard Stocking Item)	Conductors	Color	Length
<b>Length 5 ft</b>				<b>Length 14 ft</b>			
AT-S-26-4/4/B-5-OE-R	4	Black	5 ft.	AT-S-26-4/4/B-14-OE-R	4	Black	14 ft.
AT-S-26-4/4/S-5-OE-R	4	Silver	5 ft	AT-S-26-4/4/S-14-OE-R	4	Silver	14 ft
AT-S-26-4/4/W-5-OE-R	4	White	5 ft	AT-S-26-4/4/W-14-OE-R	4	White	14 ft
AT-S-26-6/6/B-5-OE-R	6	Black	5 ft.	AT-S-26-6/6/B-14-OE-R	6	Black	14 ft.
AT-S-26-6/6/S-5-OE-R	6	Silver	5 ft	AT-S-26-6/6/S-14-OE-R	6	Silver	14 ft
AT-S-26-6/6/W-5-OE-R	6	White	5 ft	AT-S-26-6/6/W-14-OE-R	6	White	14 ft
AT-S-26-8/8/B-5-OE-R	8	Black	5 ft.	AT-S-26-8/8/B-14-OE-R	8	Black	14 ft.
AT-S-26-8/8/S-5-OE-R	8	Silver	5 ft	AT-S-26-8/8/S-14-OE-R	8	Silver	14 ft
AT-S-26-8/8/W-5-OE-R	8	White	5 ft	AT-S-26-8/8/W-14-OE-R	8	White	14 ft
<b>Length 7 ft</b>				<b>Length 25 ft</b>			
AT-S-26-4/4/B-7-OE-R	4	Black	7 ft.	AT-S-26-4/4/B-25-OE-R	4	Black	25 ft.
AT-S-26-4/4/S-7-OE-R	4	Silver	7 ft	AT-S-26-4/4/S-25-OE-R	4	Silver	25 ft
AT-S-26-4/4/W-7-OE-R	4	White	7 ft	AT-S-26-4/4/W-25-OE-R	4	White	25 ft
AT-S-26-6/6/B-7-OE-R	6	Black	7 ft.	AT-S-26-6/6/B-25-OE-R	6	Black	25 ft.
AT-S-26-6/6/S-7-OE-R	6	Silver	7 ft	AT-S-26-6/6/S-25-OE-R	6	Silver	25 ft
AT-S-26-6/6/W-7-OE-R	6	White	7 ft	AT-S-26-6/6/W-25-OE-R	6	White	25 ft
AT-S-26-8/8/B-7-OE-R	8	Black	7 ft.	AT-S-26-8/8/B-25-OE-R	8	Black	25 ft.
AT-S-26-8/8/S-7-OE-R	8	Silver	7 ft	AT-S-26-8/8/S-25-OE-R	8	Silver	25 ft
AT-S-26-8/8/W-7-OE-R	8	White	7 ft	AT-S-26-8/8/W-25-OE-R	8	White	25 ft

**Modular Cable - Straight/Pre-Cut**, color cable, 4-8 contacts, 5-25 feet



**SEC:A=A**

**Material:**

Conductor: 26AWG(0.16/7) Bare Copper  
Jacket: PVC NOUL 65P



NOTE: ABOVE LAYOUT MAY CONTAIN VARIANCES. FOR A DETAILED DRAWING PLEASE CALL 1-877-277-6266 OR GO TO WWW.ASSMANN.US

Unit: MM

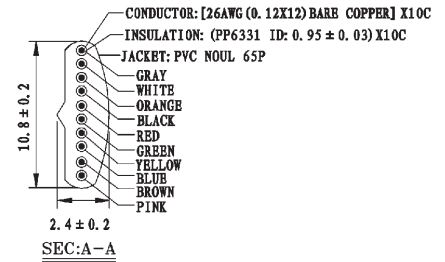
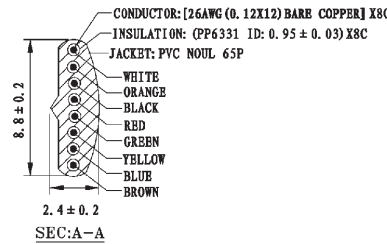
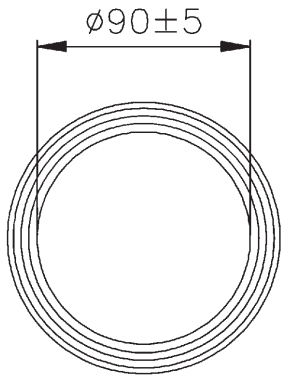
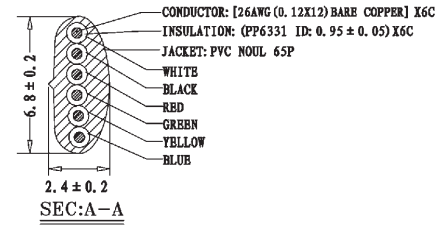
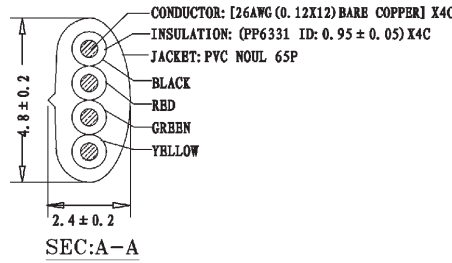
Assmann Part Number (Standard Stocking Item)	Conductors	Color	Length	Assmann Part Number (Standard Stocking Item)	Conductors	Color	Length
<b>Length 5 ft</b>				<b>Length 14 ft</b>			
AT-K-S-26-4-B/5-R	4	Black	5 ft.	AT-K-S-26-4-B/14-R	4	Black	14 ft.
AT-K-S-26-4-S/5-R	4	Silver	5 ft	AT-K-S-26-4-S/14-R	4	Silver	14 ft
AT-K-S-26-4-W/5-R	4	White	5 ft	AT-K-S-26-4-W/14-R	4	White	14 ft
AT-K-S-26-6-B/5-R	6	Black	5 ft.	AT-K-S-26-6-B/14-R	6	Black	14 ft.
AT-K-S-26-6-S/5-R	6	Silver	5 ft	AT-K-S-26-6-S/14-R	6	Silver	14 ft
AT-K-S-26-6-W/5-R	6	White	5 ft	AT-K-S-26-6-W/14-R	6	White	14 ft
AT-K-S-26-8-B/5-R	8	Black	5 ft.	AT-K-S-26-8-B/14-R	8	Black	14 ft.
AT-K-S-26-8-S/5-R	8	Silver	5 ft	AT-K-S-26-8-S/14-R	8	Silver	14 ft
AT-K-S-26-8-W/5-R	8	White	5 ft	AT-K-S-26-8-W/14-R	8	White	14 ft
<b>Length 7 ft</b>				<b>Length 25 ft</b>			
AT-K-S-26-4-B/7-R	4	Black	7 ft.	AT-K-S-26-4-B/25-R	4	Black	25 ft.
AT-K-S-26-4-S/7-R	4	Silver	7 ft	AT-K-S-26-4-S/25-R	4	Silver	25 ft
AT-K-S-26-4-W/7-R	4	White	7 ft	AT-K-S-26-4-W/25-R	4	White	25 ft
AT-K-S-26-6-B/7-R	6	Black	7 ft.	AT-K-S-26-6-B/25-R	6	Black	25 ft.
AT-K-S-26-6-S/7-R	6	Silver	7 ft	AT-K-S-26-6-S/25-R	6	Silver	25 ft
AT-K-S-26-6-W/7-R	6	White	7 ft	AT-K-S-26-6-W/25-R	6	White	25 ft
AT-K-S-26-8-B/7-R	8	Black	7 ft.	AT-K-S-26-8-B/25-R	8	Black	25 ft.
AT-K-S-26-8-S/7-R	8	Silver	7 ft	AT-K-S-26-8-S/25-R	8	Silver	25 ft
AT-K-S-26-8-W/7-R	8	White	7 ft	AT-K-S-26-8-W/25-R	8	White	25 ft

USB & IEEE  
IDC & Flat Ribbon  
IC, PLCC, Pin & Jumpers  
DSub & Centronics  
Waterproof  
DVI & HDMI  
Modular  
Fiber-Optic  
Power Cords  
Wire to Board  
SATA & eSATA  
FFC/FFC  
MiniDIN & Audio  
KVM Cables

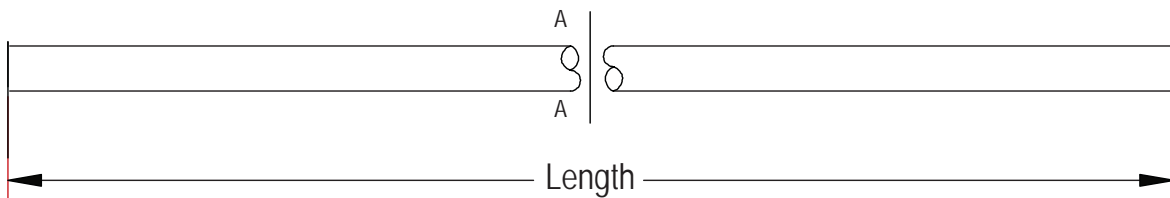


**Modular Cable - Raw**, color cable, 4-10 contacts, 100-1,000 feet reels

USB & IEEE  
IDC & Flat Ribbon  
IC, PLCC, Pin & Jumpers  
DSUB & Centronics  
Waterproof  
DVI & HDMI  
Modular



100FT/R. PE FILM



**Material:**

Conductor: 26AWG(0.16/7) Bare Copper  
Jacket: PVC NOUL 65P



NOTE: ABOVE LAYOUT MAY CONTAIN VARIANCES. FOR A DETAILED DRAWING PLEASE CALL 1-877-277-6266 OR GO TO WWW.ASSMANN.US

Unit: MM

Assmann Part Number (Standard Stocking Item)	Conductors	Color	Length	Assmann Part Number (Standard Stocking Item)	Conductors	Color	Length	Assmann Part Number (Standard Stocking Item)	Conductors	Color	Length
Length 1000 ft			Length 500 ft			Length 100 ft					
AT-K-26-4-B/1000-R	4	Black	1000 ft.	AT-K-26-4-B/500-R	4	Black	500 ft.	AT-K-26-4-B/100-R	4	Black	100 ft.
AT-K-26-4-S/1000-R	4	Silver	1000 ft.	AT-K-26-4-S/500-R	4	Silver	500 ft.	AT-K-26-4-S/100-R	4	Silver	100 ft.
AT-K-26-4-W/1000-R	4	White	1000 ft.	AT-K-26-4-W/500-R	4	White	500 ft.	AT-K-26-4-W/100-R	4	White	100 ft.
AT-K-26-6-B/1000-R	6	Black	1000 ft.	AT-K-26-6-B/500-R	6	Black	500 ft.	AT-K-26-6-B/100-R	6	Black	100 ft.
AT-K-26-6-S/1000-R	6	Silver	1000 ft.	AT-K-26-6-S/500-R	6	Silver	500 ft.	AT-K-26-6-S/100-R	6	Silver	100 ft.
AT-K-26-6-W/1000-R	6	White	1000 ft.	AT-K-26-6-W/500-R	6	White	500 ft.	AT-K-26-6-W/100-R	6	White	100 ft.
AT-K-26-8-B/1000-R	8	Black	1000 ft.	AT-K-26-8-B/500-R	8	Black	500 ft.	AT-K-26-8-B/100-R	8	Black	100 ft.
AT-K-26-8-S/1000-R	8	Silver	1000 ft.	AT-K-26-8-S/500-R	8	Silver	500 ft.	AT-K-26-8-S/100-R	8	Silver	100 ft.
AT-K-26-8-W/1000-R	8	White	1000 ft.	AT-K-26-8-W/500-R	8	White	500 ft.	AT-K-26-8-W/100-R	8	White	100 ft.
AT-K-26-10-B/1000-R	10	Black	1000 ft.	AT-K-26-10-B/500-R	10	Black	500 ft.	AT-K-26-10-B/100-R	10	Black	100 ft.
AT-K-26-10-S/1000-R	10	Silver	1000 ft.	AT-K-26-10-S/500-R	10	Silver	500 ft.	AT-K-26-10-S/100-R	10	Silver	100 ft.
AT-K-26-10-W/1000-R	10	White	1000 ft.	AT-K-26-10-W/500-R	10	White	500 ft.	AT-K-26-10-W/100-R	10	White	100 ft.

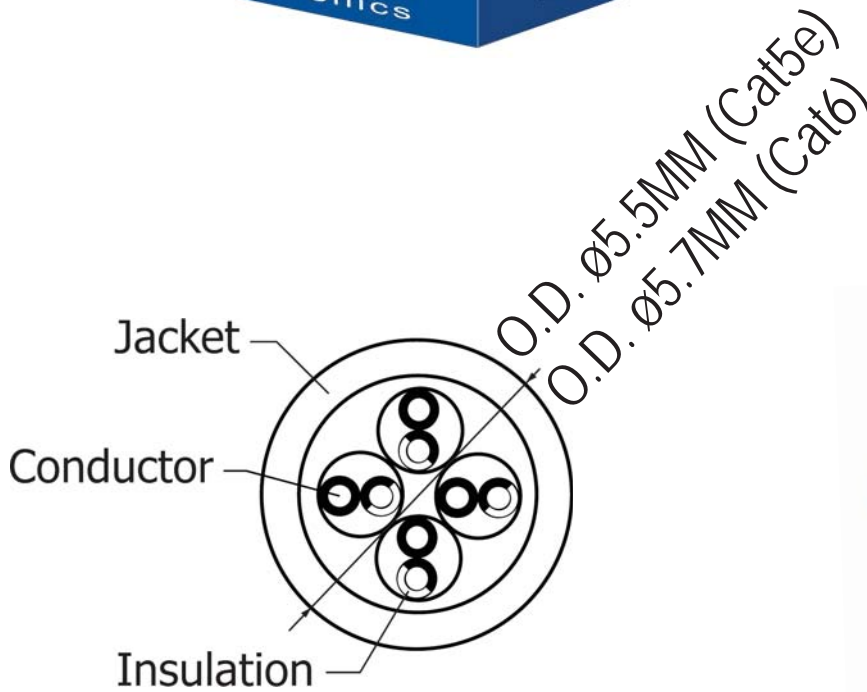
SATA & eSATA  
FFC/FFC  
MiniDIN & Audio  
KVM Cables

**Modular Cable - Bulk**, Box or Reel, Cat5e & Cat6, 305 meters



Physical Properties

DESCRIPTION	INSULATION		JACKET
	Material	HDPE	PVC
1. Tensile Strength (kgf/mm <sup>2</sup> )	Unaged	≥1.69	≥1.05
	Aged	≥1.27	≥0.74
2. Elongation (%)	Unaged	≥300	≥100
	Aged	≥75	≥65
3. Flexibility Test			
4. Flame Retardant Test	PASS FT2		
ECN No:			
ECN STATE:			



**Color Code:**  
 Blue, White/Blue  
 Orange, White/Orange  
 Green, White/Green  
 Brown, White/Brown



**Material:**

UL2835, ETL Verified / CSA 219561  
 Conductor: 24AWG\*4P, Bare Copper wire  
 Insulation: HDPE, ø0.92MM±0.05MM  
 Jacket: PVC (CM), ø5.7MM/ø5.5MM±0.15MM  
 Operating Temperature: -40°C~+70°C

**Electrical:**

Rated Temperature/Voltage: 60°C / 30V  
 DC Conductor Resistance @20°C: ≤93.25Ω/Km 24AWG  
 Insulation Resistance @20°C: ≥100MΩ·Km  
 Dielectric Strength for 1 minute: 500V AC



NOTE: ABOVE LAYOUT MAY CONTAIN VARIANCES. FOR A DETAILED DRAWING PLEASE CALL 1-877-277-6266 OR GO TO WWW.ASSMANN.US

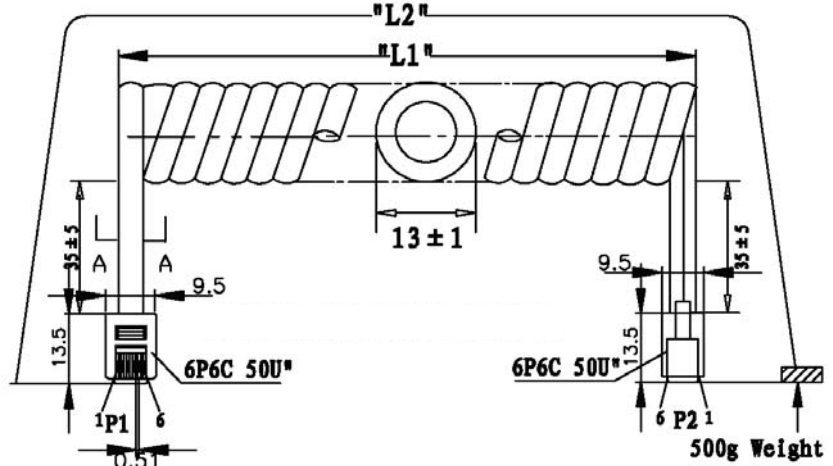
Assmann Part Number (Standard Stocking Item)	Type	Category	Assmann Part Number (Standard Stocking Item)	Type	Category
ATUP-P305T-R	Box	5e	ATU6-P305T-R	Box	6
ATUP-V305T-R	Reel	5e	ATU6-V305T-R	Reel	6

Unit: MM

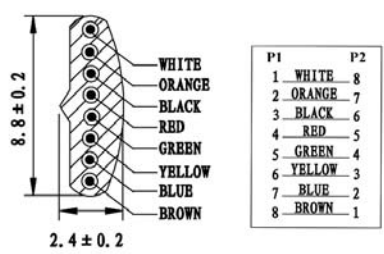
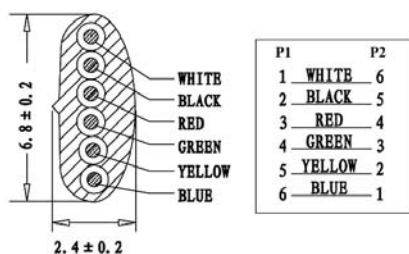
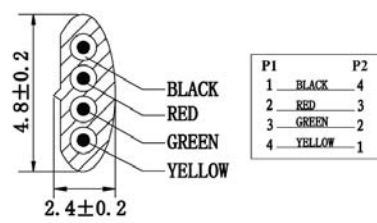
USB & IEEE  
 IDC & Flat Ribbon  
 IC, PLCC, Pin & Jumpers  
 DSUB & Centronics  
 Waterproof  
 DVI & HDMI  
 Modular  
 Fiber-Optic  
 Power Cords  
 Wire to Board  
 SATA & eSATA  
 FFC/FFC  
 MiniDIN & Audio  
 KVM Cables

Modular Cable - Coiled, color cable, 4-8 contacts, 5-25 feet

USB & IEEE  
IDC & Flat Ribbon  
IC, PLCC, Pin & Jumpers  
DSUB & Centronics  
Waterproof  
DVI & HDMI  
Modular  
Fiber-Optic  
Power Cords  
Wire to Board  
SATA & eSATA  
FFC/FFC  
MiniDIN & Audio  
KVM Cables



6 Contact/Conductor diagram\*



**SEC:A=A**

Material:

Conductor: 26AWG(0.16/7) Bare Copper  
Connector: 2 with 50µm Gold contact plating  
Jacket: PVC NOUL 65P



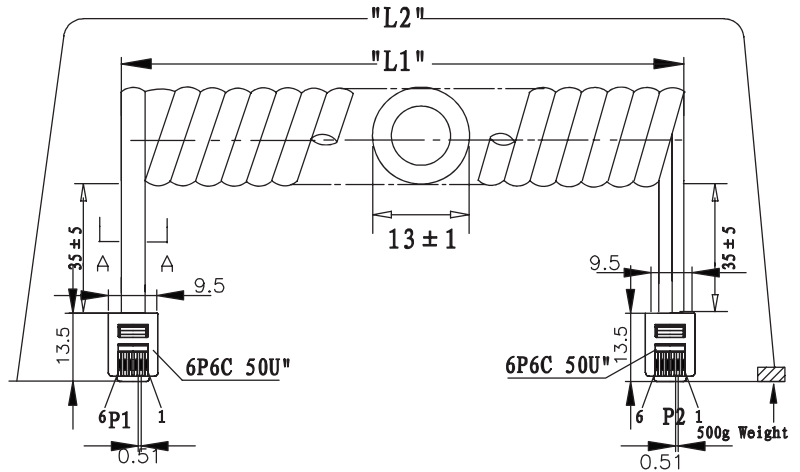
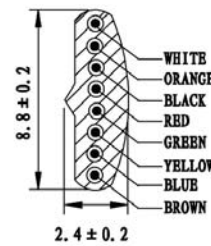
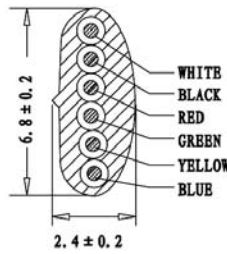
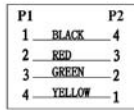
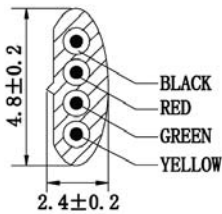
NOTE: ABOVE LAYOUT MAY CONTAIN VARIANCES. FOR A DETAILED DRAWING PLEASE CALL 1-877-277-6266 OR GO TO WWW.ASSMANN.US Unit: MM

Assmann Part Number (Standard Stocking Item)	Conductors	Color	Length	Assmann Part Number (Standard Stocking Item)	Conductors	Color	Length
<b>Length 5 ft</b>				<b>Length 14 ft</b>			
AT-C-26-4/4/B-5-R	4	Black	5 ft.	AT-C-26-4/4/B-14-R	4	Black	14 ft.
AT-C-26-4/4/S-5-R	4	Silver	5 ft	AT-C-26-4/4/S-14-R	4	Silver	14 ft
AT-C-26-4/4/W-5-R	4	White	5 ft	AT-C-26-4/4/W-14-R	4	White	14 ft
AT-C-26-6/6/B-5-R	6	Black	5 ft.	AT-C-26-6/6/B-14-R	6	Black	14 ft.
AT-C-26-6/6/S-5-R	6	Silver	5 ft	AT-C-26-6/6/S-14-R	6	Silver	14 ft
AT-C-26-6/6/W-5-R	6	White	5 ft	AT-C-26-6/6/W-14-R	6	White	14 ft
AT-C-26-8/8/B-5-R	8	Black	5 ft.	AT-C-26-8/8/B-14-R	8	Black	14 ft.
AT-C-26-8/8/S-5-R	8	Silver	5 ft	AT-C-26-8/8/S-14-R	8	Silver	14 ft
AT-C-26-8/8/W-5-R	8	White	5 ft	AT-C-26-8/8/W-14-R	8	White	14 ft
<b>Length 7 ft</b>				<b>Length 25 ft</b>			
AT-C-26-4/4/B-7-R	4	Black	7 ft.	AT-C-26-4/4/B-25-R	4	Black	25 ft.
AT-C-26-4/4/S-7-R	4	Silver	7 ft	AT-C-26-4/4/S-25-R	4	Silver	25 ft
AT-C-26-4/4/W-7-R	4	White	7 ft	AT-C-26-4/4/W-25-R	4	White	25 ft
AT-C-26-6/6/B-7-R	6	Black	7 ft.	AT-C-26-6/6/B-25-R	6	Black	25 ft.
AT-C-26-6/6/S-7-R	6	Silver	7 ft	AT-C-26-6/6/S-25-R	6	Silver	25 ft
AT-C-26-6/6/W-7-R	6	White	7 ft	AT-C-26-6/6/W-25-R	6	White	25 ft
AT-C-26-8/8/B-7-R	8	Black	7 ft.	AT-C-26-8/8/B-25-R	8	Black	25 ft.
AT-C-26-8/8/S-7-R	8	Silver	7 ft	AT-C-26-8/8/S-25-R	8	Silver	25 ft
AT-C-26-8/8/W-7-R	8	White	7 ft	AT-C-26-8/8/W-25-R	8	White	25 ft

**Modular Cable - Coiled/Reversed**, color cable, 4-8 contacts, 5-25 feet



6 Contact/Conductor diagram\*



**Material:**

Conductor: 26AWG(0.16/7) Bare Copper  
 Connector: 2 with 50µ" Gold contact plating  
 Jacket: PVC NOUL 65P



**SEC:A=A**

NOTE: ABOVE LAYOUT MAY CONTAIN VARIANCES. FOR A DETAILED DRAWING PLEASE CALL 1-877-277-6266 OR GO TO WWW.ASSMANN.US

Unit: MM

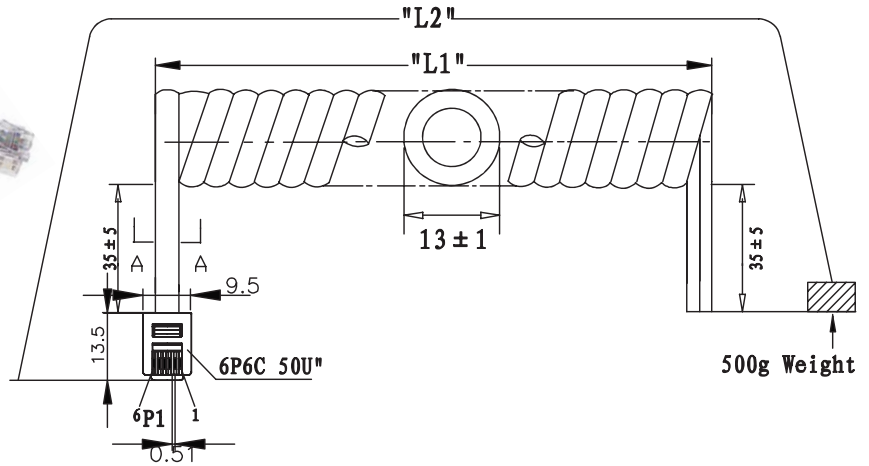
Assmann Part Number (Standard Stocking Item)	Conductors	Color	Length	Assmann Part Number (Standard Stocking Item)	Conductors	Color	Length
<b>Length 5 ft</b>				<b>Length 14 ft</b>			
AT-C-26-4/4/B-5/R-R	4	Black	5 ft.	AT-C-26-4/4/B-14/R-R	4	Black	14 ft.
AT-C-26-4/4/S-5/R-R	4	Silver	5 ft	AT-C-26-4/4/S-14/R-R	4	Silver	14 ft
AT-C-26-4/4/W-5/R-R	4	White	5 ft	AT-C-26-4/4/W-14/R-R	4	White	14 ft
AT-C-26-6/6/B-5/R-R	6	Black	5 ft.	AT-C-26-6/6/B-14/R-R	6	Black	14 ft.
AT-C-26-6/6/S-5/R-R	6	Silver	5 ft	AT-C-26-6/6/S-14/R-R	6	Silver	14 ft
AT-C-26-6/6/W-5/R-R	6	White	5 ft	AT-C-26-6/6/W-14/R-R	6	White	14 ft
AT-C-26-8/8/B-5/R-R	8	Black	5 ft.	AT-C-26-8/8/B-14/R-R	8	Black	14 ft.
AT-C-26-8/8/S-5/R-R	8	Silver	5 ft	AT-C-26-8/8/S-14/R-R	8	Silver	14 ft
AT-C-26-8/8/W-5/R-R	8	White	5 ft	AT-C-26-8/8/W-14/R-R	8	White	14 ft
<b>Length 7 ft</b>				<b>Length 25 ft</b>			
AT-C-26-4/4/B-7/R-R	4	Black	7 ft.	AT-C-26-4/4/B-25/R-R	4	Black	25 ft.
AT-C-26-4/4/S-7/R-R	4	Silver	7 ft	AT-C-26-4/4/S-25/R-R	4	Silver	25 ft
AT-C-26-4/4/W-7/R-R	4	White	7 ft	AT-C-26-4/4/W-25/R-R	4	White	25 ft
AT-C-26-6/6/B-7/R-R	6	Black	7 ft.	AT-C-26-6/6/B-25/R-R	6	Black	25 ft.
AT-C-26-6/6/S-7/R-R	6	Silver	7 ft	AT-C-26-6/6/S-25/R-R	6	Silver	25 ft
AT-C-26-6/6/W-7/R-R	6	White	7 ft	AT-C-26-6/6/W-25/R-R	6	White	25 ft
AT-C-26-8/8/B-7/R-R	8	Black	7 ft.	AT-C-26-8/8/B-25/R-R	8	Black	25 ft.
AT-C-26-8/8/S-7/R-R	8	Silver	7 ft	AT-C-26-8/8/S-25/R-R	8	Silver	25 ft
AT-C-26-8/8/W-7/R-R	8	White	7 ft	AT-C-26-8/8/W-25/R-R	8	White	25 ft

USB & IEEE  
 IDC & Flat Ribbon  
 IC, PLCC, Pin & Jumpers  
 DSub & Centronics  
 Waterproof  
 DVI & HDMI  
 Modular  
 Fiber-Optic  
 Power Cords  
 Wire to Board  
 SATA & eSATA  
 MiniDIN & Audio  
 KVM Cables

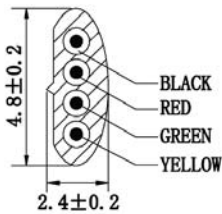


**Modular Cable - Coiled/Open End**, color cable, 4-8 contacts, 5-25 feet

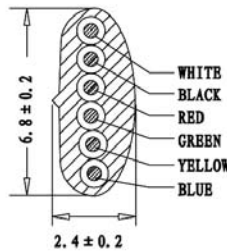
USB & IEEE  
 IDC &  
 Flat Ribbon  
 IC, PLCC, Pin  
 & Jumpers  
 DSUB &  
 Centronics  
 Waterproof  
 DVI & HDMI  
 Modular  
 Fiber-Optic  
 Power Cords  
 Wire to Board  
 SATA &  
 eSATA  
 FireWire  
 Audio  
 KVM Cables



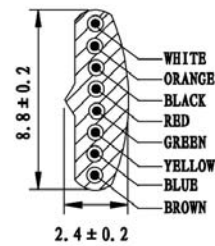
6 Contact/Conductor diagram\*



P1	P2
1 BLACK	4
2 RED	3
3 GREEN	2
4 YELLOW	1



P1	P2
1 WHITE	6
2 BLACK	5
3 RED	4
4 GREEN	3
5 YELLOW	2
6 BLUE	1



P1	P2
1 WHITE	8
2 ORANGE	7
3 BLACK	6
4 RED	5
5 GREEN	4
6 YELLOW	3
7 BLUE	2
8 BROWN	1

**Material:**

Conductor: 26AWG(0.16/7) Bare Copper  
 Connector: 2 with 50µm Gold contact plating  
 Jacket: PVC NOUL 65P



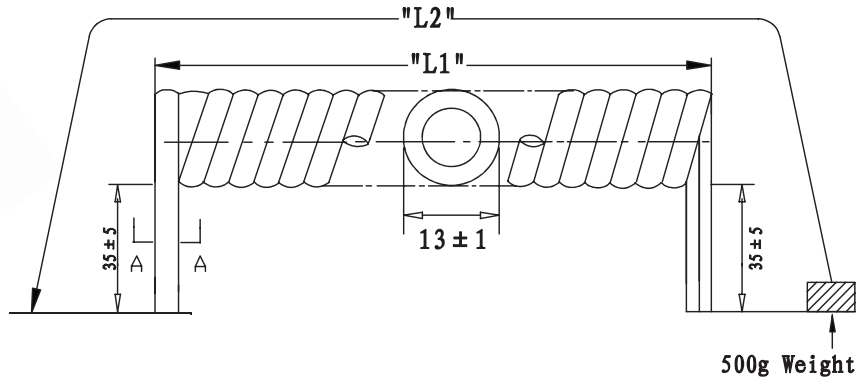
**SEC:A=A**

NOTE: ABOVE LAYOUT MAY CONTAIN VARIANCES. FOR A DETAILED DRAWING PLEASE CALL 1-877-277-6266 OR GO TO WWW.ASSMANN.US

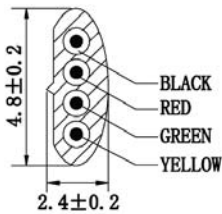
Unit: MM

Assmann Part Number (Standard Stocking Item)	Conductors	Color	Length	Assmann Part Number (Standard Stocking Item)	Conductors	Color	Length
<b>Length 5 ft</b>				<b>Length 14 ft</b>			
AT-C-26-4/4/B-5-OE-R	4	Black	5 ft.	AT-C-26-4/4/B-14-OE-R	4	Black	14 ft.
AT-C-26-4/4/S-5-OE-R	4	Silver	5 ft	AT-C-26-4/4/S-14-OE-R	4	Silver	14 ft
AT-C-26-4/4/W-5-OE-R	4	White	5 ft	AT-C-26-4/4/W-14-OE-R	4	White	14 ft
AT-C-26-6/6/B-5-OE-R	6	Black	5 ft.	AT-C-26-6/6/B-14-OE-R	6	Black	14 ft.
AT-C-26-6/6/S-5-OE-R	6	Silver	5 ft	AT-C-26-6/6/S-14-OE-R	6	Silver	14 ft
AT-C-26-6/6/W-5-OE-R	6	White	5 ft	AT-C-26-6/6/W-14-OE-R	6	White	14 ft
AT-C-26-8/8/B-5-OE-R	8	Black	5 ft.	AT-C-26-8/8/B-14-OE-R	8	Black	14 ft.
AT-C-26-8/8/S-5-OE-R	8	Silver	5 ft	AT-C-26-8/8/S-14-OE-R	8	Silver	14 ft
AT-C-26-8/8/W-5-OE-R	8	White	5 ft	AT-C-26-8/8/W-14-OE-R	8	White	14 ft
<b>Length 7 ft</b>				<b>Length 25 ft</b>			
AT-C-26-4/4/B-7-OE-R	4	Black	7 ft.	AT-C-26-4/4/B-25-OE-R	4	Black	25 ft.
AT-C-26-4/4/S-7-OE-R	4	Silver	7 ft	AT-C-26-4/4/S-25-OE-R	4	Silver	25 ft
AT-C-26-4/4/W-7-OE-R	4	White	7 ft	AT-C-26-4/4/W-25-OE-R	4	White	25 ft
AT-C-26-6/6/B-7-OE-R	6	Black	7 ft.	AT-C-26-6/6/B-25-OE-R	6	Black	25 ft.
AT-C-26-6/6/S-7-OE-R	6	Silver	7 ft	AT-C-26-6/6/S-25-OE-R	6	Silver	25 ft
AT-C-26-6/6/W-7-OE-R	6	White	7 ft	AT-C-26-6/6/W-25-OE-R	6	White	25 ft
AT-C-26-8/8/B-7-OE-R	8	Black	7 ft.	AT-C-26-8/8/B-25-OE-R	8	Black	25 ft.
AT-C-26-8/8/S-7-OE-R	8	Silver	7 ft	AT-C-26-8/8/S-25-OE-R	8	Silver	25 ft
AT-C-26-8/8/W-7-OE-R	8	White	7 ft	AT-C-26-8/8/W-25-OE-R	8	White	25 ft

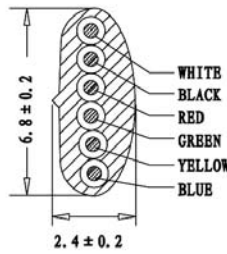
**Modular Cable - Coiled/Pre-Cut**, color cable, 4-8 contacts, 5-25 feet



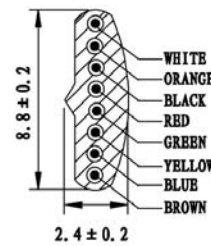
6 Contact/Conductor diagram\*



P1	P2
1 BLACK	4
2 RED	3
3 GREEN	2
4 YELLOW	1



P1	P2
1 WHITE	6
2 BLACK	5
3 RED	4
4 GREEN	3
5 YELLOW	2
6 BLUE	1



P1	P2
1 WHITE	8
2 ORANGE	7
3 BLACK	6
4 RED	5
5 GREEN	4
6 YELLOW	3
7 BLUE	2
8 BROWN	1

**Material:**

Conductor: 26AWG(0.16/7) Bare Copper  
 Connector: 2 with 50µ\* Gold contact plating  
 Jacket: PVC NOUL 65P



**SEC:A=A**

NOTE: ABOVE LAYOUT MAY CONTAIN VARIANCES. FOR A DETAILED DRAWING PLEASE CALL 1-877-277-6266 OR GO TO WWW.ASSMANN.US

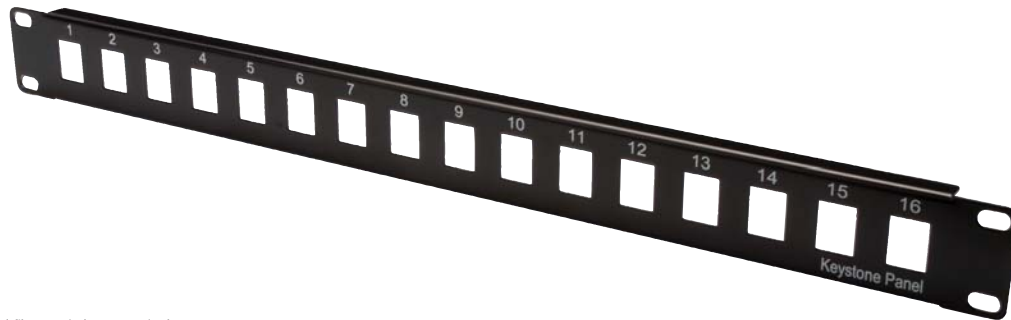
Unit: MM

Assmann Part Number (Standard Stocking Item)	Conductors	Color	Length	Assmann Part Number (Standard Stocking Item)	Conductors	Color	Length
<b>Length 5 ft</b>				<b>Length 14 ft</b>			
AT-K-C-26-4-B/5-R	4	Black	5 ft.	AT-K-C-26-4-B/14-R	4	Black	14 ft.
AT-K-C-26-4-S/5-R	4	Silver	5 ft	AT-K-C-26-4-S/14-R	4	Silver	14 ft
AT-K-C-26-4-W/5-R	4	White	5 ft	AT-K-C-26-4-W/14-R	4	White	14 ft
AT-K-C-26-6-B/5-R	6	Black	5 ft.	AT-K-C-26-6-B/14-R	6	Black	14 ft.
AT-K-C-26-6-S/5-R	6	Silver	5 ft	AT-K-C-26-6-S/14-R	6	Silver	14 ft
AT-K-C-26-6-W/5-R	6	White	5 ft	AT-K-C-26-6-W/14-R	6	White	14 ft
AT-K-C-26-8-B/5-R	8	Black	5 ft.	AT-K-C-26-8-B/14-R	8	Black	14 ft.
AT-K-C-26-8-S/5-R	8	Silver	5 ft	AT-K-C-26-8-S/14-R	8	Silver	14 ft
AT-K-C-26-8-W/5-R	8	White	5 ft	AT-K-C-26-8-W/14-R	8	White	14 ft
<b>Length 7 ft</b>				<b>Length 25 ft</b>			
AT-K-C-26-4-B/7-R	4	Black	7 ft.	AT-K-C-26-4-B/25-R	4	Black	25 ft.
AT-K-C-26-4-S/7-R	4	Silver	7 ft	AT-K-C-26-4-S/25-R	4	Silver	25 ft
AT-K-C-26-4-W/7-R	4	White	7 ft	AT-K-C-26-4-W/25-R	4	White	25 ft
AT-K-C-26-6-B/7-R	6	Black	7 ft.	AT-K-C-26-6-B/25-R	6	Black	25 ft.
AT-K-C-26-6-S/7-R	6	Silver	7 ft	AT-K-C-26-6-S/25-R	6	Silver	25 ft
AT-K-C-26-6-W/7-R	6	White	7 ft	AT-K-C-26-6-W/25-R	6	White	25 ft
AT-K-C-26-8-B/7-R	8	Black	7 ft.	AT-K-C-26-8-B/25-R	8	Black	25 ft.
AT-K-C-26-8-S/7-R	8	Silver	7 ft	AT-K-C-26-8-S/25-R	8	Silver	25 ft
AT-K-C-26-8-W/7-R	8	White	7 ft	AT-K-C-26-8-W/25-R	8	White	25 ft

USB & IEEE  
 IDC & Flat Ribbon  
 IC, PLCC, Pin & Jumpers  
 DSub & Centronics  
 Waterproof  
 DVI & HDMI  
 Modular  
 Fiber-Optic  
 Power Cords  
 Wire to Board  
 SATA & eSATA  
 MiniDIN & Audio  
 KVM Cables



## Housing 19" - Modular Keystones, unshielded



**Material:**

Universal applicable for RJ45 and fiber-optic keystone jacks  
Black RAL 9005



NOTE: ABOVE LAYOUT MAY CONTAIN VARIANCES. FOR A DETAILED DRAWING PLEASE CALL 1-877-277-6266 OR GO TO WWW.ASSMANN.US

Unit: MM

Assmann Part Number (Standard Stocking Item)	Port	U
A-PAN-16-MOD	16	1
A-PAN-24-MOD	24	1

## Patch Panel 19" - Class E Cat6, unshielded



**Material:**

Class E Cat6, up to 250Mhz, ISO IEC 11801, EN 50173  
1 Gbit Ethernet  
Black RAL 9005  
Unshielded RJ45 Female sockets, 8P8C  
Cable installation via LSA strips, color-coded as per EIA/TIA 568 B



NOTE: ABOVE LAYOUT MAY CONTAIN VARIANCES. FOR A DETAILED DRAWING PLEASE CALL 1-877-277-6266 OR GO TO WWW.ASSMANN.US

Unit: MM

Assmann Part Number (Standard Stocking Item)	Port	U
DN-91624U	24	1
DN-91648U	48	2

## Patch Panel 19" - Cat5e, unshielded



**Material:**

Cat5e, up to 100Mhz, ISO IEC 11801, EN 50173  
1 Gbit Ethernet  
Black RAL 9005  
Unshielded RJ45 Female sockets, 8P8C  
Cable installation via LSA strips, color-coded as per EIA/TIA 568 B



NOTE: ABOVE LAYOUT MAY CONTAIN VARIANCES. FOR A DETAILED DRAWING PLEASE CALL 1-877-277-6266 OR GO TO WWW.ASSMANN.US

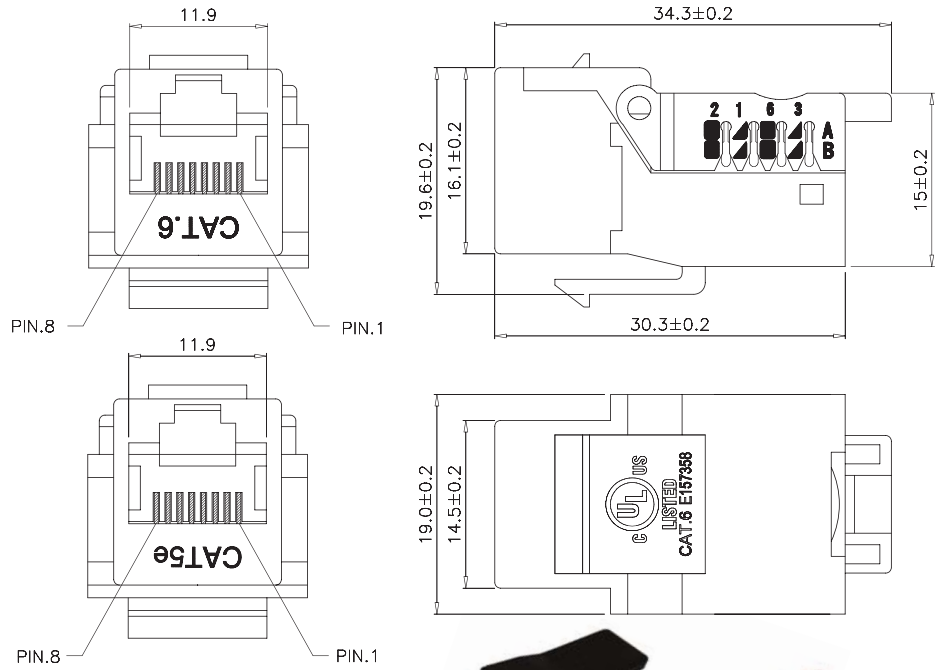
Unit: MM

Assmann Part Number (Standard Stocking Item)	Port	U
DN-91524U	24	1
DN-91548U	48	2

USB & IEEE  
IDC & Flat Ribbon  
IC, PLCC, Pin & Jumpers  
DSub & Centronics  
Waterproof  
DVI & HDMI  
Modular  
Fiber-Optic  
Power Cords  
Wire to Board  
SATA & eSATA  
FFC/FFC  
MiniDIN & Audio  
KVM Cables

### Modular Keystones - Toolless, color jacks, Cat5e & Cat6

USB & IEEE  
IDC & Flat Ribbon  
IC, PLCC, Pin & Jumpers  
DSUB & Centronics  
Waterproof  
DVI & HDMI



**Material:**

Housing: ABS, UL94V-0  
Jack Bracket set: PBT, UL94V-0  
Contact: Phosphor Bronze  
Operating Temperature: -10°C~+60°C  
The Cat5e & Cat6 transmission performance is in compliance with the ANSI/TIA/EIA 568 B.2-1 Standard



Included w/each keystone is one(1) snap tool & one(1) zip tie\*

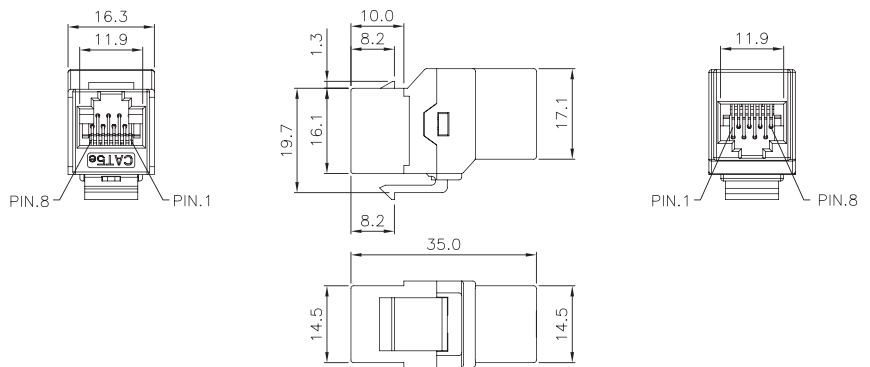
Unit: MM

NOTE: ABOVE LAYOUT MAY CONTAIN VARIANCES. FOR A DETAILED DRAWING PLEASE CALL 1-877-277-6266 OR GO TO WWW.ASSMANN.US

Assmann Part Number (Standard Stocking Item)	Color	Category	Assmann Part Number (Standard Stocking Item)	Color	Category
DN-93501-U/B	Black	5e	DN-93601-U/B	Black	6
DN-93501-U/BL	Blue	5e	DN-93601-U/BL	Blue	6
DN-93501-U/R	Red	5e	DN-93601-U/R	Red	6
DN-93501-U/WH	White	5e	DN-93601-U/WH	White	6
DN-93501-U/Y	Yellow	5e	DN-93601-U/Y	Yellow	6

### Modular Keystones - F-Thru Slim Style, Black, Cat5e & Cat6

SATA & eSATA  
FFC/FFC  
MiniDIN & Audio  
KVM Cables



**Material:**

Housing: PC, UL94V-0  
Contact: Phosphor Bronze  
Operating Temperature: 0°C~+70°C  
Conform to TIA/EIA 568 B.2-1  
Mates with modular plug conforming to FCC part 68, Subpart F



NOTE: ABOVE LAYOUT MAY CONTAIN VARIANCES. FOR A DETAILED DRAWING PLEASE CALL 1-877-277-6266 OR GO TO WWW.ASSMANN.US

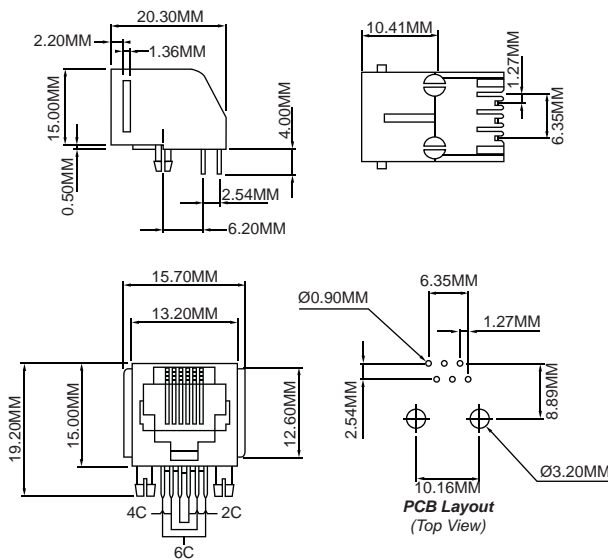
Unit: MM

Assmann Part Number (Standard Stocking Item)	Color	Category	Assmann Part Number (Standard Stocking Item)	Color	Category
A-TA3534-R	Black	5e	A-TA3534-R	Black	6

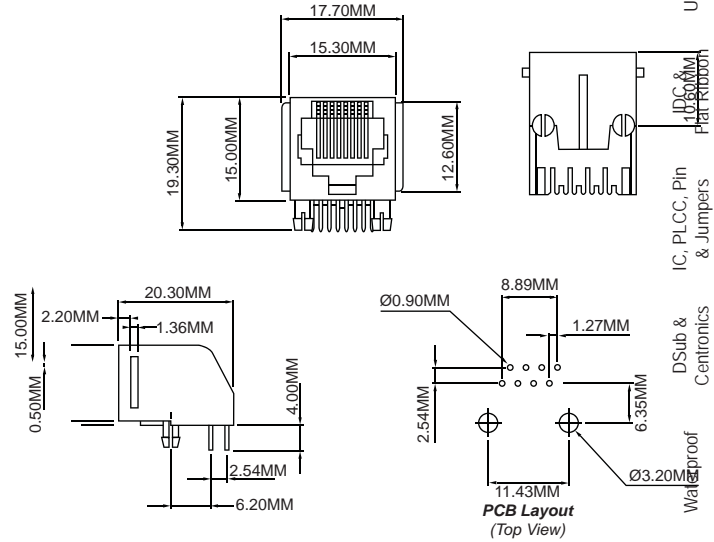
## Modular Jack, for PCB Mount, Right Angled, 4-8 contacts



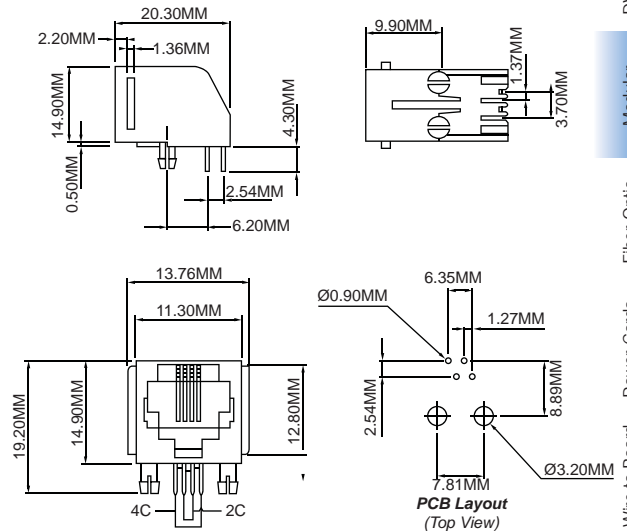
RJ11 & RJ12 Version 6P/4C, 6P/6C



RJ45 Version 8P/8C



RJ11 Version 4P/4C



### Material:

Housing: PBT Glass Filled (UL94V-0)  
 Contacts: Phosphor Bronze  
 Operating Temperature: -25°C ~ +90°C  
 Current Rating: 1.5A  
 Voltage Rating: 120V AC rms



NOTE: ABOVE LAYOUT MAY CONTAIN VARIANCES. FOR A DETAILED DRAWING PLEASE CALL 1-877-277-6266 OR GO TO WWW.ASSMANN.US

Assmann Part Number (Standard Stocking Item)	Type	Version	Gold Plating	Assmann Part Number (Standard Stocking Item)	Type	Version	Gold Plating	Assmann Part Number (Standard Stocking Item)	Type	Version	Gold Plating	Assmann Part Number (Standard Stocking Item)	Type	Version	Gold Plating
A-2004-0-4-R	6p/4c	RJ11	6µ"	A-2004-0-1-R	6p/4c	RJ11	15µ"	A-2004-0-2-R	6p/4c	RJ11	30µ"	A-2004-0-3-R	6p/4c	RJ11	50µ"
A-2004-1-4-R	6p/6c	RJ12	6µ"	A-2004-1-1-R	6p/6c	RJ12	15µ"	A-2004-1-2-R	6p/6c	RJ12	30µ"	A-2004-1-3-R	6p/6c	RJ12	50µ"
A-2004-2-4-R	8p/8c	RJ45	6µ"	A-2004-2-1-R	8p/8c	RJ45	15µ"	A-2004-2-2-R	8p/8c	RJ45	30µ"	A-2004-2-3-R	8p/8c	RJ45	50µ"
A-2004-3-4-R	4p/4c	RJ11	6µ"	A-2004-3-1-R	4p/4c	RJ11	15µ"	A-2004-3-2-R	4p/4c	RJ11	30µ"	A-2004-3-3-R	4p/4c	RJ11	50µ"
<b>Flangeless Version</b>															
A-2004-0-4-N-R	6p/4c	RJ11	6µ"	A-2004-0-1-N-R	6p/4c	RJ11	15µ"	A-2004-0-2-N-R	6p/4c	RJ11	30µ"	A-2004-0-3-N-R	6p/4c	RJ11	50µ"
A-2004-1-4-N-R	6p/6c	RJ12	6µ"	A-2004-1-1-N-R	6p/6c	RJ12	15µ"	A-2004-1-2-N-R	6p/6c	RJ12	30µ"	A-2004-1-3-N-R	6p/6c	RJ12	50µ"
A-2004-2-4-N-R	8p/8c	RJ45	6µ"	A-2004-2-1-N-R	8p/8c	RJ45	15µ"	A-2004-2-2-N-R	8p/8c	RJ45	30µ"	A-2004-2-3-N-R	8p/8c	RJ45	50µ"
A-2004-3-4-N-R	4p/4c	RJ11	6µ"	A-2004-3-1-N-R	4p/4c	RJ11	15µ"	A-2004-3-2-N-R	4p/4c	RJ11	30µ"	A-2004-3-3-N-R	4p/4c	RJ11	50µ"

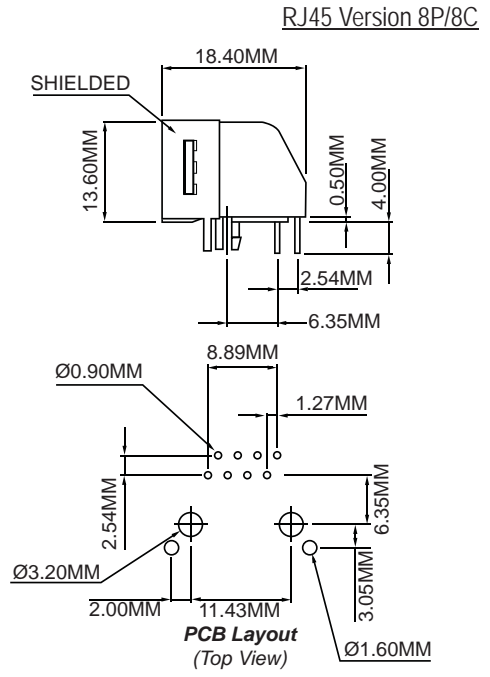
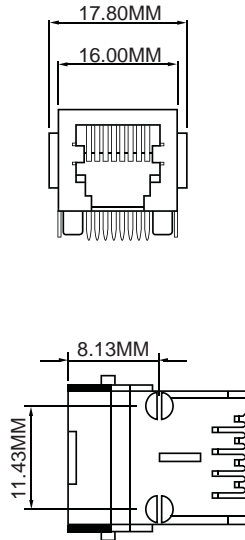
Unit: MM

USB & IEEE  
 IC, PLCC, Pin & Jumpers  
 DSub & Centronics  
 Waferproof  
 DVI & HDMI  
 Modular  
 Fiber-Optic  
 Power Cords  
 Wire to Board  
 SATA & eSATA  
 FFC/FFC  
 MiniDIN & Audio  
 KVM Cables

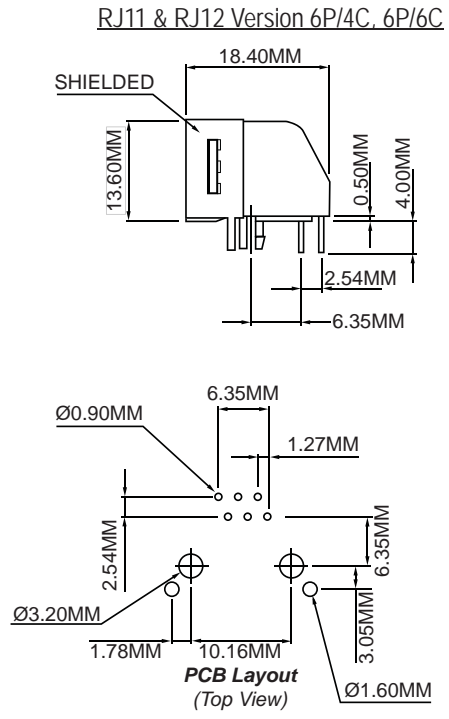
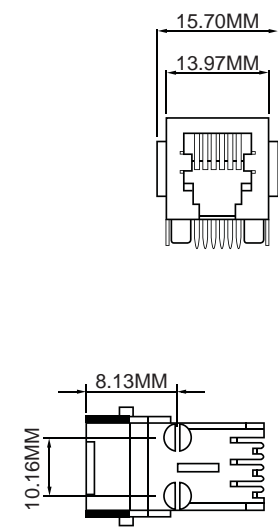


**Modular Jack - Shielded**, for PCB Mount, Right Angled, 4-8 contacts

- USB & IEEE
- IDC & Flat Ribbon
- IC, PLCC, Pin & Jumpers
- DSUB & Centronics
- Waterproof
- DVI & HDMI



- Modular
- Fiber-Optic
- Power Cords
- Wire to Board
- SATA & eSATA



**Material:**

Housing: PBT Glass Filled (UL94V-0)  
 Contacts: Phosphor Bronze  
 Operating Temperature: -40°C ~ +85°C  
 Current Rating: 1.5A  
 Voltage Rating: 120V AC



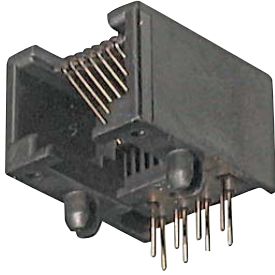
NOTE: ABOVE LAYOUT MAY CONTAIN VARIANCES. FOR A DETAILED DRAWING PLEASE CALL 1-877-277-6266 OR GO TO WWW.ASSMANN.US

Unit: MM

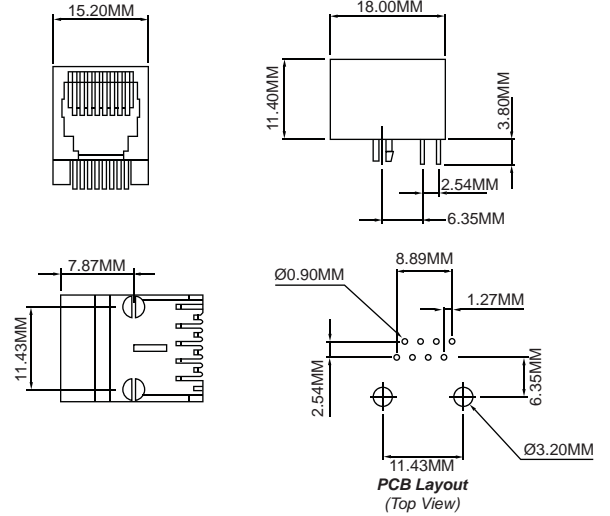
Assmann Part Number (Standard Stocking Item)	Type	Version	Gold Plating	Assmann Part Number (Standard Stocking Item)	Type	Version	Gold Plating	Assmann Part Number (Standard Stocking Item)	Type	Version	Gold Plating	Assmann Part Number (Standard Stocking Item)	Type	Version	Gold Plating
A-2004-0-4-LP-N-R	6p/4c	RJ11	6µ"	A-2004-0-1-LP-N-R	6p/4c	RJ11	15µ"	A-2004-0-2-LP-N-R	6p/4c	RJ11	30µ"	A-2004-0-3-LP-N-R	6p/4c	RJ11	50µ"
A-2004-1-4-LP-N-R	6p/6c	RJ12	6µ"	A-2004-1-1-LP-N-R	6p/6c	RJ12	15µ"	A-2004-1-2-LP-N-R	6p/6c	RJ12	30µ"	A-2004-1-3-LP-N-R	6p/6c	RJ12	50µ"
A-2004-2-4-LP-N-R	8p/8c	RJ45	6µ"	A-2004-2-1-LP-N-R	8p/8c	RJ45	15µ"	A-2004-2-2-LP-N-R	8p/8c	RJ45	30µ"	A-2004-2-3-LP-N-R	8p/8c	RJ45	50µ"
A-2004-3-4-LP-N-R	4p/4c	RJ11	6µ"	A-2004-3-1-LP-N-R	4p/4c	RJ11	15µ"	A-2004-3-2-LP-N-R	4p/4c	RJ11	30µ"	A-2004-3-3-LP-N-R	4p/4c	RJ11	50µ"

- MIDI/DIN & Audio
- KVM Cables

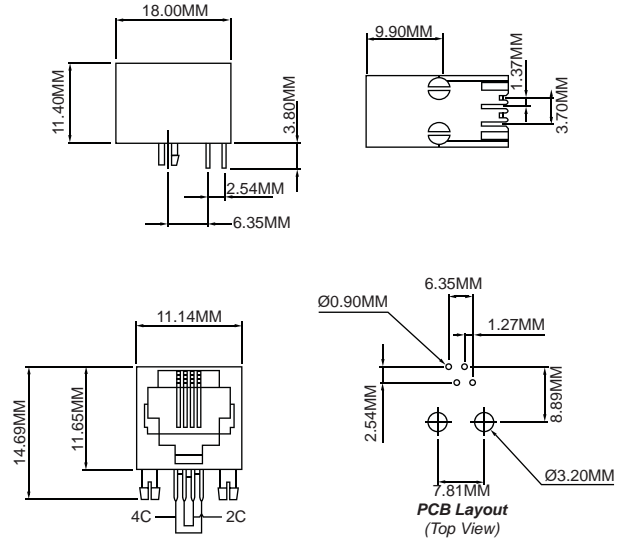
Modular Jack - Low Profile, for PCB Mount, Right Angled, 4-8 contacts



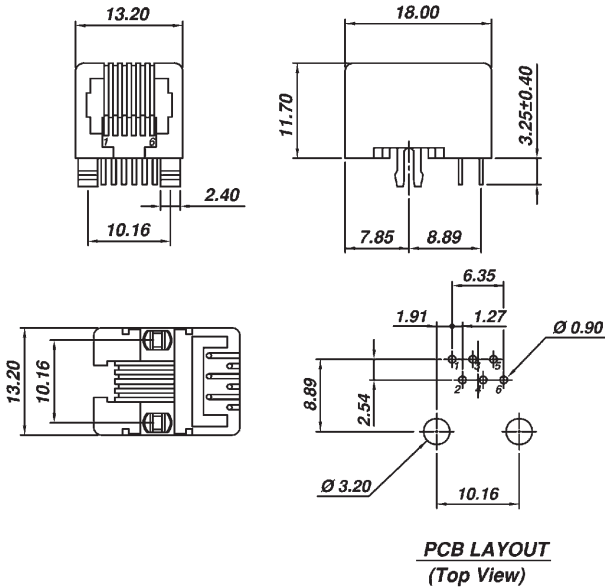
RJ45 Version 8P/8C



RJ11 Version 4P/4C



RJ11 & RJ12 Version 6P/4C, 6P/6C



Material:

Housing: PBT Glass Filled (UL94V-0)  
 Contacts: Phosphor Bronze  
 Operating Temperature: -25°C - +90°C  
 Current Rating: 1.5A  
 Voltage Rating: 120V AC rms



NOTE: ABOVE LAYOUT MAY CONTAIN VARIANCES. FOR A DETAILED DRAWING PLEASE CALL 1-877-277-6266 OR GO TO WWW.ASSMANN.US

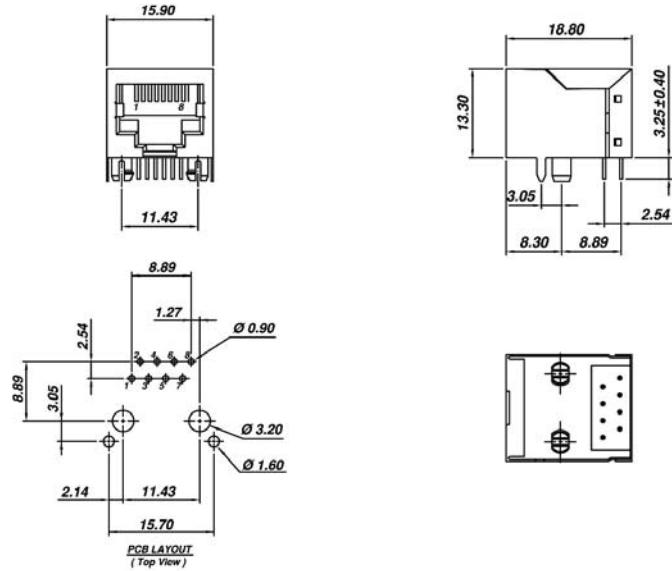
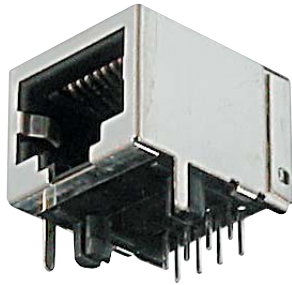
Unit: MM

Assmann Part Number (Standard Stocking Item)	Type	Version	Gold Plating	Assmann Part Number (Standard Stocking Item)	Type	Version	Gold Plating	Assmann Part Number (Standard Stocking Item)	Type	Version	Gold Plating	Assmann Part Number (Standard Stocking Item)	Type	Version	Gold Plating
A-2004-0-4-LP-N-R	6p/4c	RJ11	6µ"	A-2004-0-1-LP-N-R	6p/4c	RJ11	15µ"	A-2004-0-2-LP-N-R	6p/4c	RJ11	30µ"	A-2004-0-3-LP-N-R	6p/4c	RJ11	50µ"
A-2004-1-4-LP-N-R	6p/6c	RJ12	6µ"	A-2004-1-1-LP-N-R	6p/6c	RJ12	15µ"	A-2004-1-2-LP-N-R	6p/6c	RJ12	30µ"	A-2004-1-3-LP-N-R	6p/6c	RJ12	50µ"
A-2004-2-4-LP-N-R	8p/8c	RJ45	6µ"	A-2004-2-1-LP-N-R	8p/8c	RJ45	15µ"	A-2004-2-2-LP-N-R	8p/8c	RJ45	30µ"	A-2004-2-3-LP-N-R	8p/8c	RJ45	50µ"
A-2004-3-4-LP-N-R	4p/4c	RJ11	6µ"	A-2004-3-1-LP-N-R	4p/4c	RJ11	15µ"	A-2004-3-2-LP-N-R	4p/4c	RJ11	30µ"	A-2004-3-3-LP-N-R	4p/4c	RJ11	50µ"

USB & IEEE  
 IDC & Flat Ribbon  
 IC, PLCC, Pin & Jumpers  
 DSub & Centronics  
 Waterproof  
 DVI & HDMI  
 Modular  
 Fiber-Optic  
 Power Cords  
 Wire to Board  
 SATA & eSATA  
 FFC/FFC  
 MiniDIN & Audio  
 KVM Cables

USB & IEEE  
IDC & Flat Ribbon  
IC, PLCC, Pin & Jumpers  
DSUB & Centronics  
Waterproof  
DVI & HDMI  
Modular

**Modular Jack - Shielded (18.8)**, for PCB Mount, Right Angled, 8 contacts



**Material:**  
Housing: PBT Glass Filled (UL94V-0)  
Contacts: Phosphor Bronze  
Operating Temperature: -40°C ~ +85°C  
Current Rating: 1.5A Max.  
Voltage Rating: 120V AC



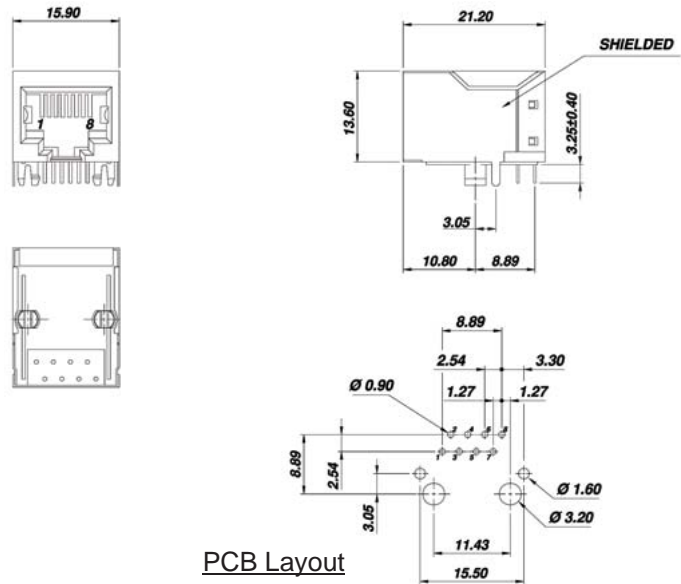
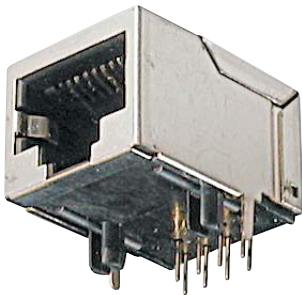
NOTE: ABOVE LAYOUT MAY CONTAIN VARIANCES. FOR A DETAILED DRAWING PLEASE CALL 1-877-277-6266 OR GO TO WWW.ASSMANN.US

Unit: MM

Assmann Part Number (Standard Stocking Item)	Type	Version	Gold Plating
A-2004-2-4-LPS-N-R	8p/8c	RJ45	6µ"
A-2004-2-1-LPS-N-R	8p/8c	RJ45	15µ"
A-2004-2-2-LPS-N-R	8p/8c	RJ45	30µ"
A-2004-2-3-LPS-N-R	8p/8c	RJ45	50µ"

Fiber-Optic  
Power Cords  
Wire to Board  
SATA & eSATA  
FFC/FFPC  
MiniDIN & Audio  
KVM Cables

**Modular Jack - Shielded (21.2)**, for PCB Mount, Right Angled, 8 contacts



**Material:**  
Housing: PBT Glass Filled (UL94V-0)  
Contacts: Phosphor Bronze  
Operating Temperature: -40°C ~ +85°C  
Current Rating: 1.5A Max.  
Voltage Rating: 120V AC

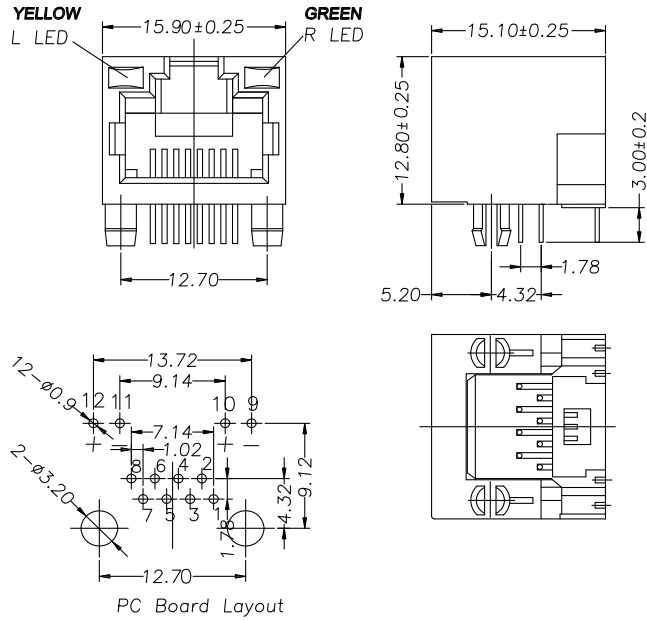
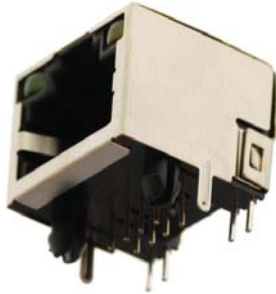


NOTE: ABOVE LAYOUT MAY CONTAIN VARIANCES. FOR A DETAILED DRAWING PLEASE CALL 1-877-277-6266 OR GO TO WWW.ASSMANN.US

Unit: MM

Assmann Part Number (Standard Stocking Item)	Type	Version	Gold Plating
A-2004-2-4-LP/FS-N-R	8p/8c	RJ45	6µ"
A-2004-2-1-LP/FS-N-R	8p/8c	RJ45	15µ"
A-2004-2-2-LP/FS-N-R	8p/8c	RJ45	30µ"
A-2004-2-3-LP/FS-N-R	8p/8c	RJ45	50µ"

**Modular Jack - LED Shielded**, for PCB Mount, Right Angled, 8 contacts



**Material:**

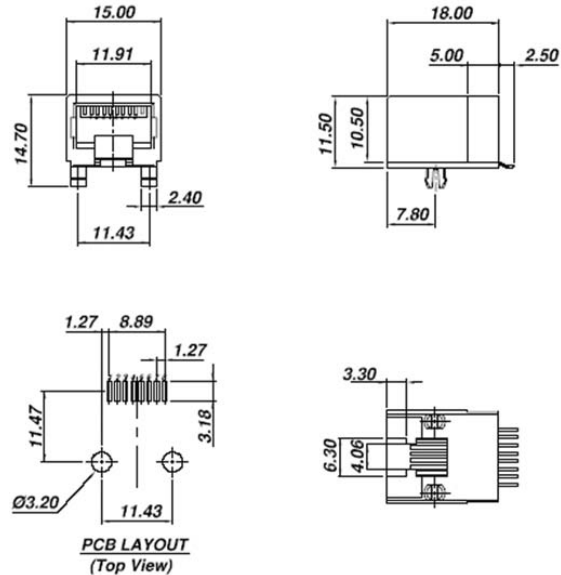
Housing: Templastic (UL94V-0)  
 Contacts: Copper, Gold plated on contact area  
 Operating Temperature: -40°C ~ +85°C  
 Current Rating: 1.5A Max.  
 Dielectric Withstanding: 500V AC for one minute



Unit: MM  
 NOTE: ABOVE LAYOUT MAY CONTAIN VARIANCES. FOR A DETAILED DRAWING PLEASE CALL 1-877-277-6266 OR GO TO WWW.ASSMANN.US

Assmann Part Number (Standard Stocking Item)	Type	Version	Gold Plating
A-2004-2-4-R	8p/8c	RJ45	6µ"

**Modular Jack - SMT w/Board-Locks**, for PCB Mount, Right Angled, 8 contacts



**Material:**

Housing: PBT Glass Filled (UL94V-0)  
 Contacts: Phosphor Bronze  
 Operating Temperature: -40°C ~ +85°C  
 Current Rating: 1.5A Max.  
 Voltage Rating: 120V AC

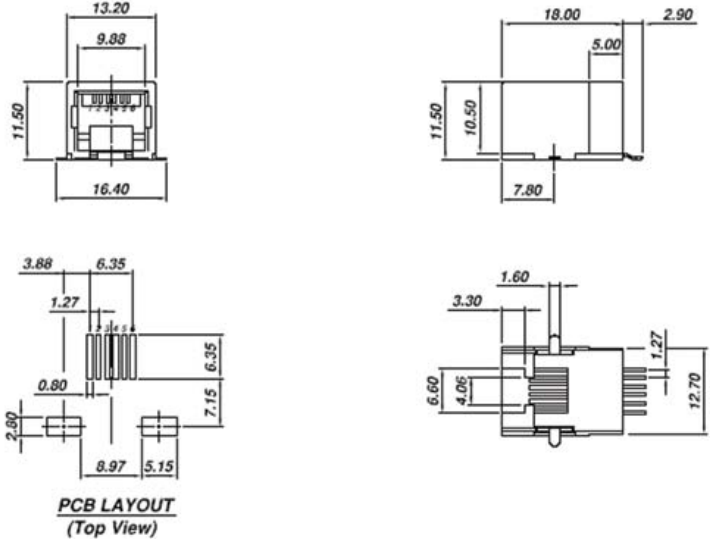


Unit: MM  
 NOTE: ABOVE LAYOUT MAY CONTAIN VARIANCES. FOR A DETAILED DRAWING PLEASE CALL 1-877-277-6266 OR GO TO WWW.ASSMANN.US

Assmann Part Number (Standard Stocking Item)	Type	Version	Gold Plating
A-2004-2-4-LP/SMT-R	8p/8c	RJ45	6µ"
A-2004-2-1-LP/SMT-R	8p/8c	RJ45	15µ"
A-2004-2-2-LP/SMT-R	8p/8c	RJ45	30µ"
A-2004-2-3-LP/SMT-R	8p/8c	RJ45	50µ"

USB & IEEE  
IDC & Flat Ribbon  
IC, PLCC, Pin & Jumpers  
DSUB & Centronics  
Waterproof  
DVI & HDMI

## Modular Jack - SMT, for PCB Mount, Right Angled, 4-8 contacts



**Material:**  
Housing: Nylon (UL94V-0)  
Contacts: Phosphor Bronze  
Operating Temperature: -40°C ~ +85°C  
Current Rating: 1.5A Max.  
Voltage Rating: 120V AC

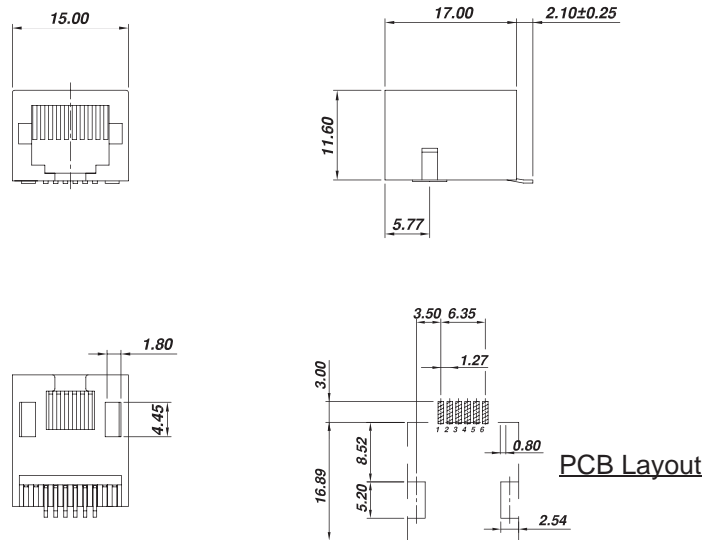
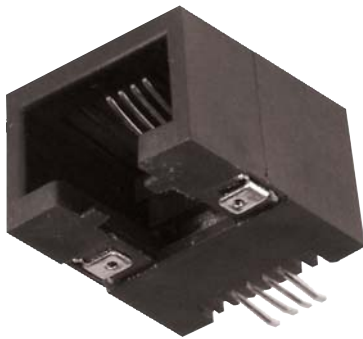


Unit: MM  
NOTE: ABOVE LAYOUT MAY CONTAIN VARIANCES. FOR A DETAILED DRAWING PLEASE CALL 1-877-277-6266 OR GO TO WWW.ASSMANN.US

Assmann Part Number (Standard Stocking Item)	Type	Version	Gold Plating
A-2004-0-4-LP/SMT-A-R	6p/4c	RJ11	6µ"
A-2004-1-4-LP/SMT-A-R	6p/6c	RJ12	6µ"
A-2004-2-4-LP/SMT-A-R	8p/8c	RJ45	6µ"

Fiber-Optic  
Power Cords  
Wire to Board  
SATA & eSATA  
FFC/FFPC  
MiniDIN & Audio

## Modular Jack - SMT Side by Side Stackable, for PCB Mount, Right Angled, 4-8 contacts



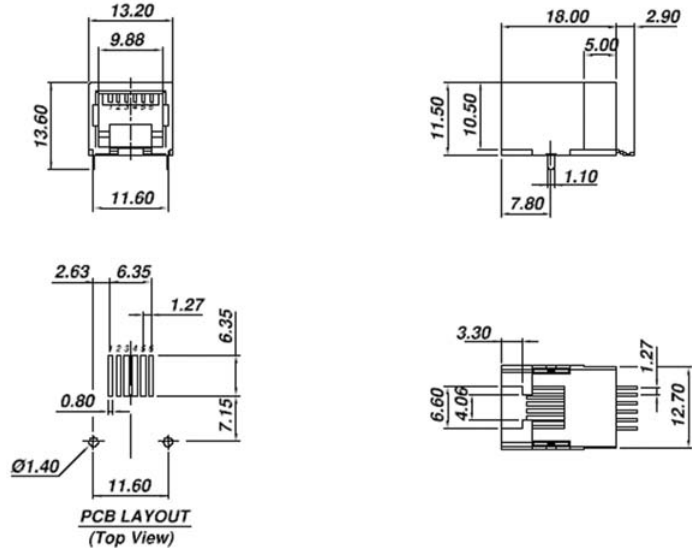
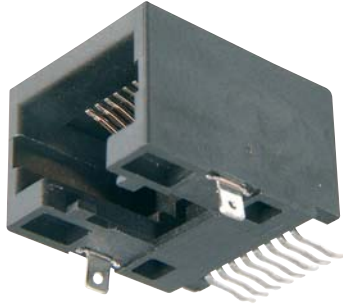
**Material:**  
Housing: Nylon (UL94V-0)  
Contacts: Phosphor Bronze  
Operating Temperature: -40°C ~ +85°C  
Current Rating: 1.5A Max.  
Voltage Rating: 120V AC



Unit: MM  
NOTE: ABOVE LAYOUT MAY CONTAIN VARIANCES. FOR A DETAILED DRAWING PLEASE CALL 1-877-277-6266 OR GO TO WWW.ASSMANN.US

Assmann Part Number (Standard Stocking Item)	Type	Version	Gold Plating
A-2004-0-4-LP/SMT-B-R	6p/4c	RJ11	6µ"
A-2004-1-4-LP/SMT-B-R	6p/6c	RJ12	6µ"
A-2004-2-4-LP/SMT-B-R	8p/8c	RJ45	6µ"

**Modular Jack - SMT Alignable**, for PCB Mount, Right Angled, 4-8 contacts



**Material:**

Housing: Nylon (UL94V-0)  
 Contacts: Phosphor Bronze  
 Operating Temperature: -40°C ~ +85°C  
 Current Rating: 1.5A Max.  
 Voltage Rating: 120V AC

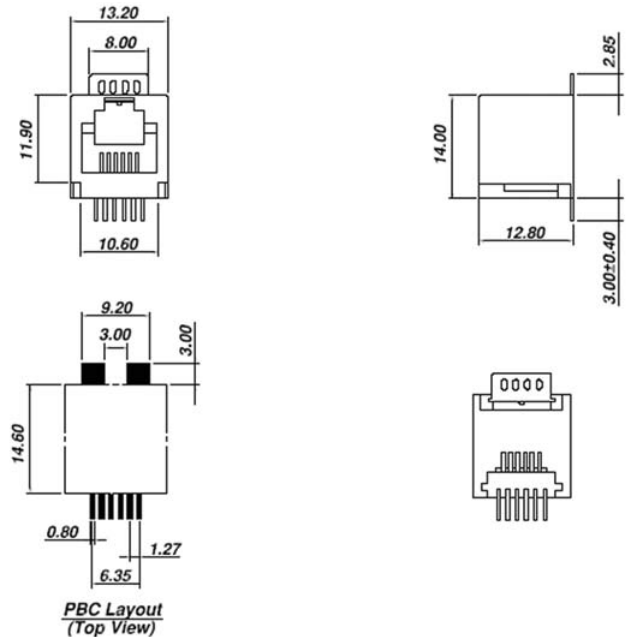
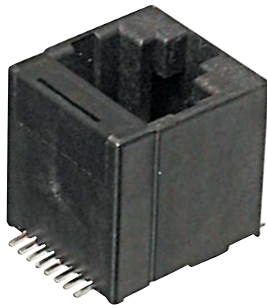


NOTE: ABOVE LAYOUT MAY CONTAIN VARIANCES. FOR A DETAILED DRAWING PLEASE CALL 1-877-277-6266 OR GO TO WWW.ASSMANN.US

Unit: MM

Assmann Part Number (Standard Stocking Item)	Type	Version	Gold Plating
A-2004-0-4-LP/SMT-C-R	6p/4c	RJ11	6µ"
A-2004-1-4-LP/SMT-C-R	6p/6c	RJ12	6µ"
A-2004-2-4-LP/SMT-C-R	8p/8c	RJ45	6µ"

**Modular Jack - Top Entry SMT**, for PCB Mount, 4-8 contacts



**Material:**

Housing: PBT Glass Filled (UL94V-0)  
 Contacts: Phosphor Bronze  
 Operating Temperature: -25°C ~ +90°C  
 Current Rating: 1.5A  
 Voltage Rating: 120V AC rms



NOTE: ABOVE LAYOUT MAY CONTAIN VARIANCES. FOR A DETAILED DRAWING PLEASE CALL 1-877-277-6266 OR GO TO WWW.ASSMANN.US

Unit: MM

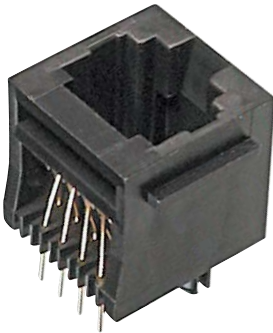
Assmann Part Number (Standard Stocking Item)	Type	Version	Gold Plating	Assmann Part Number (Standard Stocking Item)	Type	Version	Gold Plating	Assmann Part Number (Standard Stocking Item)	Type	Version	Gold Plating	Assmann Part Number (Standard Stocking Item)	Type	Version	Gold Plating
A-2014-1-4-SMT-N-R	6p/6c	RJ12	6µ"	A-2014-1-1-SMT-N-R	6p/6c	RJ12	15µ"	A-2014-1-2-SMT-N-R	6p/6c	RJ12	30µ"	A-2014-1-3-SMT-N-R	6p/6c	RJ12	50µ"
A-2014-2-4-SMT-N-R	8p/8c	RJ45	6µ"	A-2014-2-1-SMT-N-R	8p/8c	RJ45	15µ"	A-2014-2-2-SMT-N-R	8p/8c	RJ45	30µ"	A-2014-2-3-SMT-N-R	8p/8c	RJ45	50µ"

USB & IEEE  
 IDC & Flat Ribbon  
 IC, PLCC, Pin & Jumpers  
 DSub & Centronics  
 Waterproof  
 DVI & HDMI  
 Modular  
 Fiber-Optic  
 Power Cords  
 Wire to Board  
 SATA & eSATA  
 FFC/FPC  
 MiniDIN & Audio  
 KVM Cables

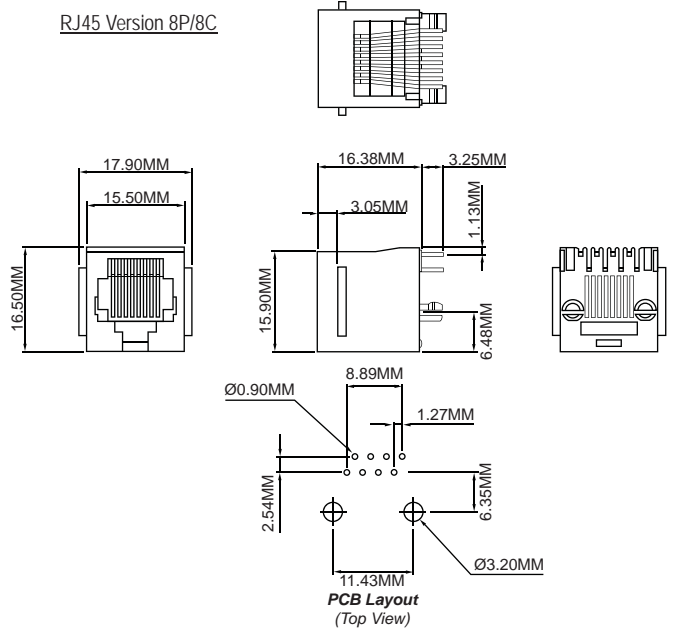


**Modular Jack - Top Entry**, for PCB Mount, unshielded, 4-8 contacts

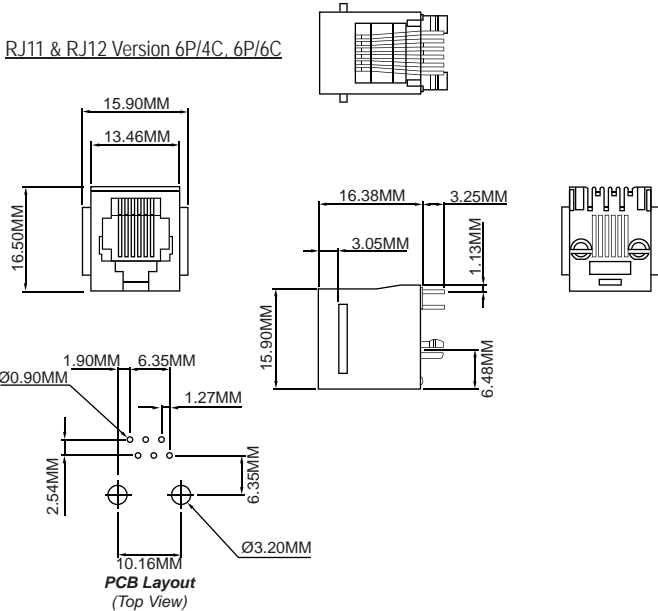
- USB & IEEE
- IDC & Flat Ribbon
- IC, PLCC, Pin & Jumpers
- DSUB & Centronics
- Waterproof
- DVI & HDMI
- Modular
- Fiber-Optic
- Power Cords
- Wire to Board
- SATA & eSATA
- FFC/FFPC
- MiniDIN & Audio
- KVM Cables



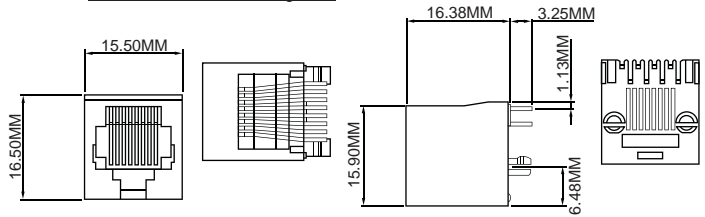
RJ45 Version 8P/8C



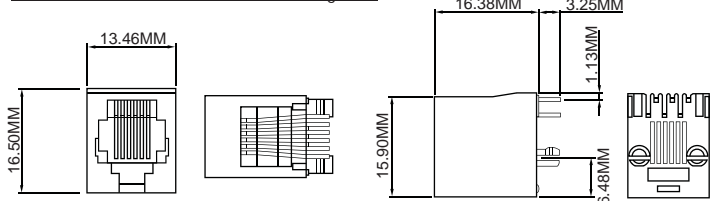
RJ11 & RJ12 Version 6P/4C, 6P/6C



RJ45 Version 8P/8C Flangeless



RJ11 & RJ12 Version 6P/4C, 6P/6C Flangeless



**Material:**

Housing: PBT Glass Filled (UL94V-0)  
 Contacts: Phosphor Bronze  
 Operating Temperature: -40°C ~ +85°C  
 Current Rating: 1.5A  
 Voltage Rating: 120V AC rms

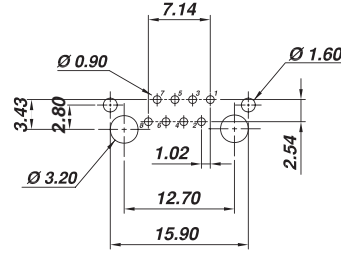
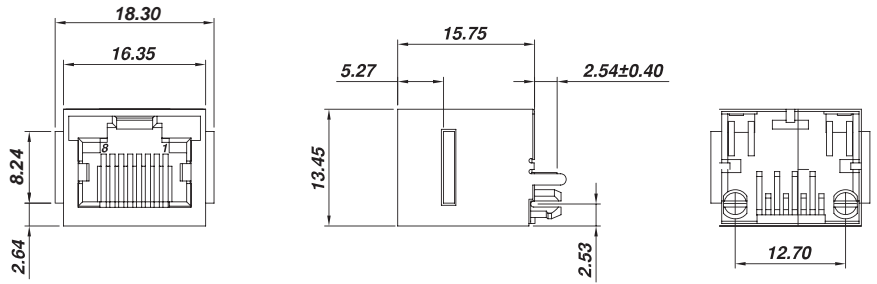


NOTE: ABOVE LAYOUT MAY CONTAIN VARIANCES. FOR A DETAILED DRAWING PLEASE CALL 1-877-277-6266 OR GO TO WWW.ASSMANN.US

Unit: MM

Assmann Part Number (Standard Stocking Item)	Type	Version	Gold Plating	Assmann Part Number (Standard Stocking Item)	Type	Version	Gold Plating	Assmann Part Number (Standard Stocking Item)	Type	Version	Gold Plating	Assmann Part Number (Standard Stocking Item)	Type	Version	Gold Plating
A-2014-0-4-R	6p/4c	RJ11	6µ"	A-2014-0-1-R	6p/4c	RJ11	15µ"	A-2014-0-2-R	6p/4c	RJ11	30µ"	A-2014-0-3-R	6p/4c	RJ11	50µ"
A-2014-1-4-R	6p/6c	RJ12	6µ"	A-2014-1-1-R	6p/6c	RJ12	15µ"	A-2014-1-2-R	6p/6c	RJ12	30µ"	A-2014-1-3-R	6p/6c	RJ12	50µ"
A-2014-2-4-R	8p/8c	RJ45	6µ"	A-2014-2-1-R	8p/8c	RJ45	15µ"	A-2014-2-2-R	8p/8c	RJ45	30µ"	A-2014-2-3-R	8p/8c	RJ45	50µ"
A-2014-3-4-R	4p/4c	RJ11	6µ"	A-2014-3-1-R	4p/4c	RJ11	15µ"	A-2014-3-2-R	4p/4c	RJ11	30µ"	A-2014-3-3-R	4p/4c	RJ11	50µ"
<b>Flangeless Version</b>															
A-2014-0-4-N-R	6p/4c	RJ11	6µ"	A-2014-0-1-N-R	6p/4c	RJ11	15µ"	A-2014-0-2-N-R	6p/4c	RJ11	30µ"	A-2014-0-3-N-R	6p/4c	RJ11	50µ"
A-2014-1-4-N-R	6p/6c	RJ12	6µ"	A-2014-1-1-N-R	6p/6c	RJ12	15µ"	A-2014-1-2-N-R	6p/6c	RJ12	30µ"	A-2014-1-3-N-R	6p/6c	RJ12	50µ"
A-2014-2-4-N-R	8p/8c	RJ45	6µ"	A-2014-2-1-N-R	8p/8c	RJ45	15µ"	A-2014-2-2-N-R	8p/8c	RJ45	30µ"	A-2014-2-3-N-R	8p/8c	RJ45	50µ"
A-2014-3-4-N-R	4p/4c	RJ11	6µ"	A-2014-3-1-N-R	4p/4c	RJ11	15µ"	A-2014-3-2-N-R	4p/4c	RJ11	30µ"	A-2014-3-3-N-R	4p/4c	RJ11	50µ"

**Modular Jack - Top Entry Flanged/Shielded**, for PCB Mount, 8 contacts



PCB Layout (Top View)

Unit: MM

NOTE: ABOVE LAYOUT MAY CONTAIN VARIANCES. FOR A DETAILED DRAWING PLEASE CALL 1-877-277-6266 OR GO TO WWW.ASSMANN.US

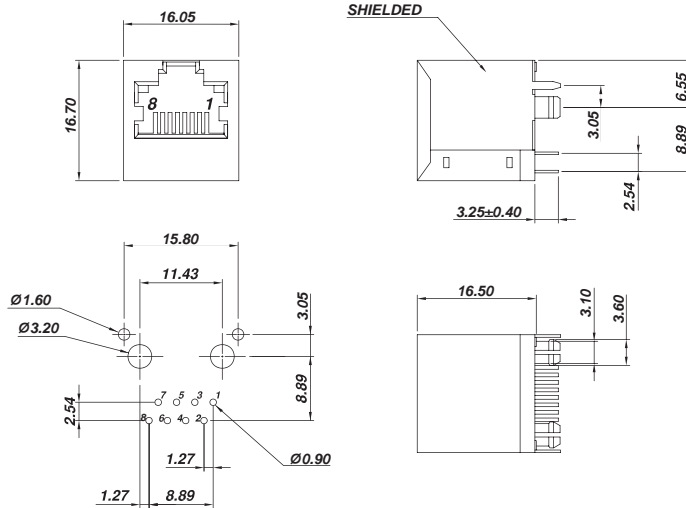
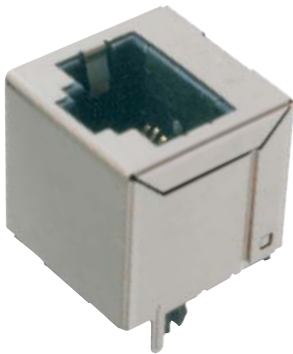
**Material:**

Housing: Nylon (UL94V-0)  
 Contacts: Phosphor Bronze  
 Operating Temperature: -40°C ~ +85°C  
 Current Rating: 1.5A Max.  
 Voltage Rating: 120V AC



Assmann Part Number (Standard Stocking Item)	Type	Version	Gold Plating
A-2014-2-4-LP/FS-R	8p/8c	RJ45	6µ"
A-2014-2-1-LP/FS-R	8p/8c	RJ45	15µ"
A-2014-2-2-LP/FS-R	8p/8c	RJ45	30µ"
A-2014-2-3-LP/FS-R	8p/8c	RJ45	50µ"

**Modular Jack - Top Entry Flangeless/Shielded**, for PCB Mount, 8 contacts



PCB Layout (Top View)

Unit: MM

NOTE: ABOVE LAYOUT MAY CONTAIN VARIANCES. FOR A DETAILED DRAWING PLEASE CALL 1-877-277-6266 OR GO TO WWW.ASSMANN.US

**Material:**

Housing: Nylon (UL94V-0)  
 Contacts: Phosphor Bronze  
 Operating Temperature: -40°C ~ +85°C  
 Current Rating: 1.5A Max.  
 Voltage Rating: 120V AC

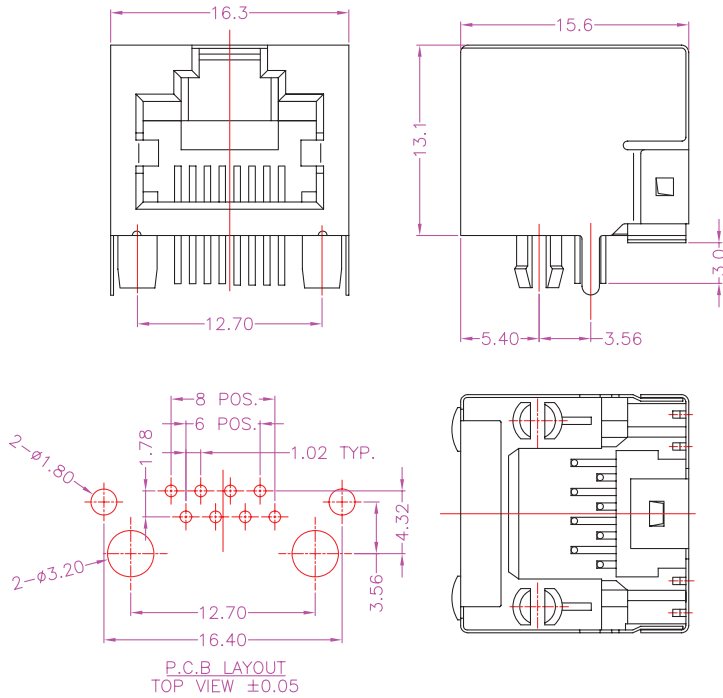
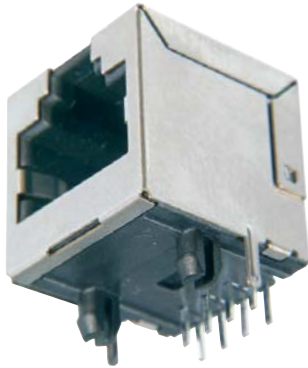


Assmann Part Number (Standard Stocking Item)	Type	Version	Gold Plating
A-2014-2S-4-N-R	8p/8c	RJ45	6µ"
A-2014-2S-1-N-R	8p/8c	RJ45	15µ"
A-2014-2S-2-N-R	8p/8c	RJ45	30µ"
A-2014-2S-3-N-R	8p/8c	RJ45	50µ"

USB & IEEE  
 IDC & Flat Ribbon  
 IC, PLCC, Pin & Jumpers  
 DSub & Centronics  
 Waterproof  
 DVI & HDMI  
 Modular  
 Fiber-Optic  
 Power Cords  
 Wire to Board  
 SATA & eSATA  
 FFC/FFC  
 MiniDIN & Audio  
 KVM Cables

- USB & IEEE
- IDC & Flat Ribbon
- IC, PLCC, Pin & Jumpers
- DSUB & Centronics
- Waterproof
- DVI & HDMI
- Modular
- Fiber-Optic
- Power Cords
- Wire to Board
- SATA & eSATA
- FFC/FPC
- MiniDIN & Audio
- KVM Cables

### Modular Jack - Shielded/Cat6, for PCB Mount, Right Angled, 8 contacts



**Material:**  
 Housing: Thermoplastic (UL94V-0)  
 Contacts: Copper Alloy  
 Operating Temperature: -40°C ~ +85°C  
 Current Rating: 1.5A Max.  
 Dielectric Withstanding: 500V AC for one minute

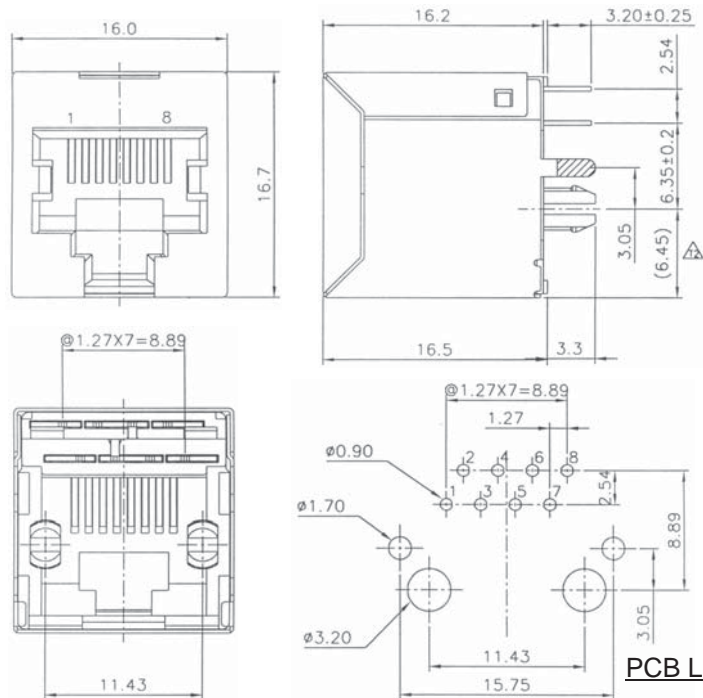


NOTE: ABOVE LAYOUT MAY CONTAIN VARIANCES. FOR A DETAILED DRAWING PLEASE CALL 1-877-277-6266 OR GO TO WWW.ASSMANN.US

Unit: MM

Assmann Part Number (Standard Stocking Item)	Type	Version	Gold Plating
A-2004-2-3-PS-CAT6-N-R	8p/8c	RJ45	6μ"

### Modular Jack - Top Entry Shielded/Cat6, for PCB Mount, 8 contacts



**Material:**  
 Housing: PBT Glass Filled, UL94V-0  
 Contacts: Phosphor Bronze  
 Operating Temperature: -40°C ~ +85°C  
 Current Rating: 1.5A Max.  
 Voltage Rating: 120V AC



NOTE: ABOVE LAYOUT MAY CONTAIN VARIANCES. FOR A DETAILED DRAWING PLEASE CALL 1-877-277-6266 OR GO TO WWW.ASSMANN.US

Unit: MM

Assmann Part Number (Standard Stocking Item)	Type	Version	Gold Plating
A-2014-2-3-FS-CAT6-N-R	8p/8c	RJ45	6μ"