

## Table of Contents


### Bronze Compression


Bronze Compression Table of Contents ..... 219  
Bronze Compression Pictorial Index ..... 221

### *Bronze Compression Connectors*

Type BC2KT ..... 223  
Type BCKT ..... 224  
Type CST ..... 226  
Type CSTF ..... 228  
Type CSX ..... 229  
Type DPC-T ..... 230  
Type DPC-SH1, DPC-SH2, DPC-SH-90 ..... 231  
Type DPCP, DPCP-T ..... 233  
Type DPL, DPLA-45, DPLA-90 ..... 234  
Type DPLE-N ..... 237  
Type DPLS ..... 239  
Type DPR ..... 242  
Type LCA ..... 244  
Type LCAE-N ..... 245  
Bronze Installation Tool Reference ..... 246



<b>Bronze Compression Connectors</b>	
	BC2KT SERIES
	PG. 223
	BCKT SERIES
	PG. 224
	CST SERIES
	PG. 226
	CSTF SERIES
	PG. 228
	CSX SERIES
	PG. 229
	DPC-T SERIES
	PG. 230
	DPC-SH-1 SERIES
	PG. 231
	DPC-SH-90 SERIES
	PG. 231

	DPCP SERIES
	PG. 233
	DPCP-T SERIES
	PG. 233
	DPL SERIES
	PG. 234
	DPLE-N SERIES
	PG. 237
	DPLS SERIES
	PG. 239
	DPR SERIES
	PG. 242
	LCA SERIES
	PG. 244
	LCAE-N SERIES
	PG. 245



### DOSSERT® TYPE BC2KT

**Copper Tee Connector With Mechanical Clamp Round and Compression Tap**

**Material**

Tin plated copper alloy

**Hardware**

Tin plated Evedur bolts and lock washers.

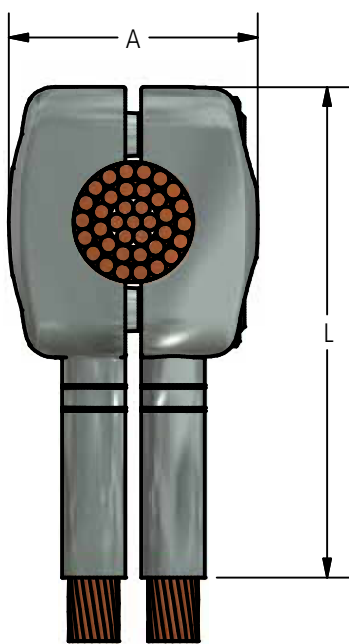


FIG. 1

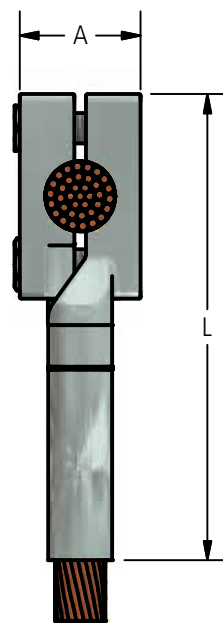
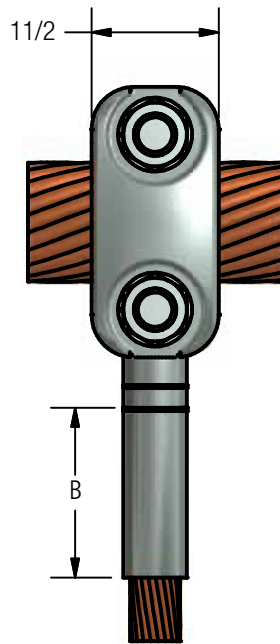
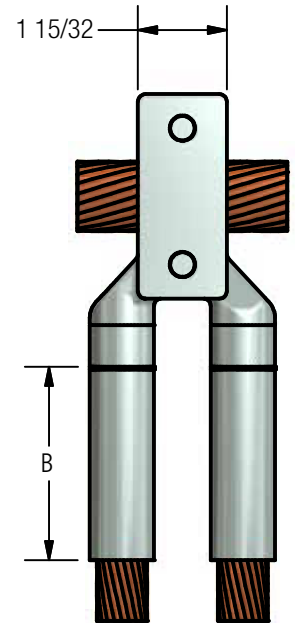


FIG. 2



### Ordering Information

CATALOG NUMBER	FIG. NUM.	CABLE SIZE		DIMENSION IN INCHES		
		RUN	TAP	A	B	L
BC2KT50-25	1	500 MCM	250 MCM	2 7/32	2	4 29/32
BC2KT100-25	1	1000 MCM	250 MCM	2 5/8	2	5 9/16
BC2KT100-50-S	2	1000 MCM	500 MCM	2	3 3/8	7 11/16
BC2KT150-25	1	1500 MCM	250 MCM	2 13/16	2	5 13/16
BC2KT150-50-S	2	1500 MCM	500 MCM	2	3 3/8	7 11/16

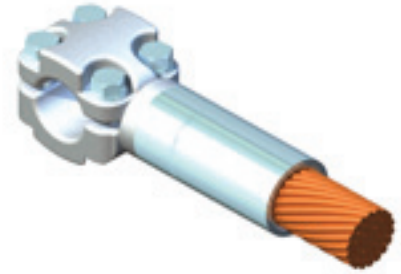
For information on installation tools refer to pages 246 and 247.

### DOSSERT®

#### TYPE BCKT

#### Copper Tee Connector With Mechanical Clamp Rund and Compression Tap

A tee connector composed of a clamp type run element and a compression type connector for the tap. This connector has a wide application where various taps are to be taken from a continuous run.



#### Material

Tin plated copper alloy

#### Hardware

Tin plated Everdur bolts and lock washers.

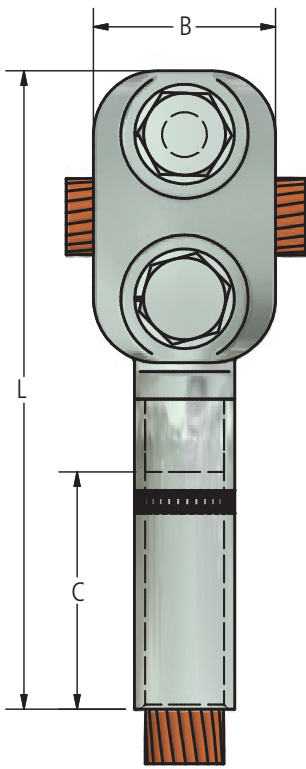


FIG. 1

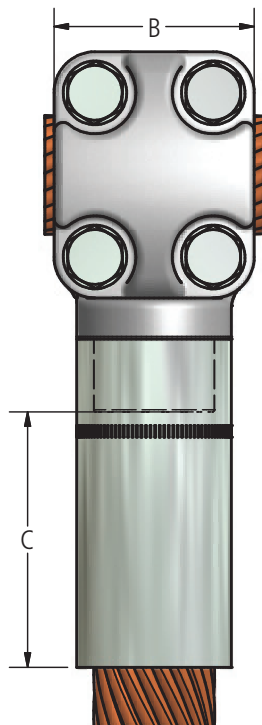
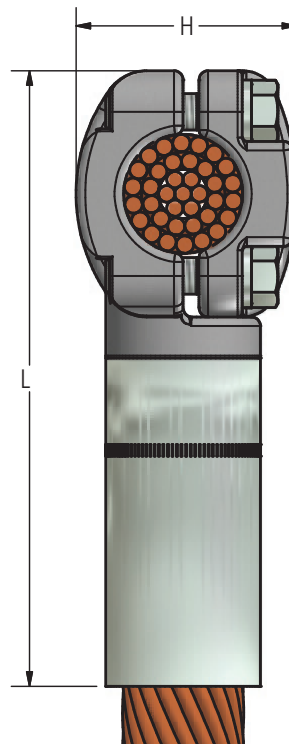


FIG. 2



## DOSSERT®

### TYPE BCKT

Copper Tee Connector With Mechanical Clamp Rund and Compression Tap

#### Ordering Information

CATALOG NUMBER	CONDUCTOR SIZE		FIG. NO.	DIMENSIONS IN INCHES			
	RUN	TAP		B	C	H	L
BCKT21-6	4/0 STR	2 STR	1	1 1/2	1 5/16	1 1/2	3 7/8
BCKT21-10	4/0 STR	1/0 STR	1	1 1/2	1 7/16	1 1/2	4 1/16
BCKT21-13	4/0 STR	2/0 STR	1	1 1/2	1 9/16	1 1/2	4 3/16
BCKT21-21	4/0 STR	4/0 STR	2	2 1/8	1 11/16	1 1/2	4 3/8
BCKT25-6	250 MCM	2 STR	1	1 1/2	1 5/16	1 1/2	3 7/8
BCKT29-10	250 MCM	1/0 STR	1	1 1/2	1 7/16	1 1/2	4 1/8
BCKT25-13	250 MCM	2/0 STR	1	1 1/2	1 9/16	1 1/2	4 1/4
BCKT25-21	250 MCM	4/0 STR	2	2 1/8	1 11/16	1 1/2	4 7/16
BCKT25-25	250 MCM	250 MCM	2	2 1/8	1 11/16	1 1/2	4 1/2
BCKT35-10	350 MCM	1/0 STR	1	2 1/8	1 7/16	1 9/16	4 3/16
BCKT35-13	350 MCM	2/0 STR	1	1 1/2	1 9/16	1 9/16	4 3/8
BCKT35-21	350 MCM	4/0 STR	2	2 1/8	1 11/16	1 9/16	4 9/16
BCKT35-25	350 MCM	250 MCM	2	2 1/8	1 11/16	1 9/16	4 8
BCKT35-35	350 MCM	350 MCM	2	2 1/8	2 1/8	1 9/16	5 1/16
BCKT50-13	500 MCM	2/0 STR	1	1 1/2	1 9/16	1 11/16	4 1/2
BCKT50-21	500 MCM	4/0 STR	2	2 1/8	1 11/16	1 11/16	4 11/16
BCKT50-25	500 MCM	250 MCM	2	2 1/8	1 11/16	1 11/16	4 3/4
BCKT50-35	500 MCM	350 MCM	2	2 1/8	2 1/8	1 11/16	5 1/8
BCKT50-50	500 MCM	500 MCM	2	2 1/8	2 1/4	1 11/16	5 7/16
BCKT75-13	750 MCM	2/0 STR	1	1 1/2	1 9/16	1 7/8	4 11/16
BCKT25-21	750 MCM	4/0 STR	2	2 1/8	1 11/16	1 7/8	4 7/8
BCKT75-25	750 MCM	250 MCM	2	2 1/8	1 11/16	1 7/8	4 15/16
BCKT75-35	750 MCM	350 MCM	2	2 1/8	2 1/8	1 7/8	4 5/16
BCKT75-50	750 MCM	500 MCM	2	2 1/8	2 1/4	1 7/8	5 5/8
BCKT79-75	750 MCM	750 MCM	2	2 1/8	2 7/8	1 7/8	6 5/16
BCKT100-13	1000 MCM	2/0 STR	1	1 1/2	1 9/16	2 3/16	4 13/16
BCKT100-21	1000 MCM	4/0 STR	2	2 1/8	1 11/16	2 3/16	5
BCKT100-25	1000 MCM	250 MCM	2	2 1/8	1 11/16	2 3/16	5 1/16
BCKT100-35	1000 MCM	350 MCM	2	2 1/8	2 1/8	2 3/16	5 1/2
BCKT100-50	1000 MCM	500 MCM	2	2 1/8	2 1/4	2 3/16	5 13/15
BCKT100-75	1000 MCM	750 MCM	2	2 1/8	2 7/8	2 1/4	6 7/16
BCKT100-100	1000 MCM	1000 MCM	2	2 3/4	3	2 3/8	7 1/16

For information on installation tools refer to pages 246 and 247.

## DOSSERT®

### TYPE CST

#### Copper Compression Tee Connector For Cable To Cable

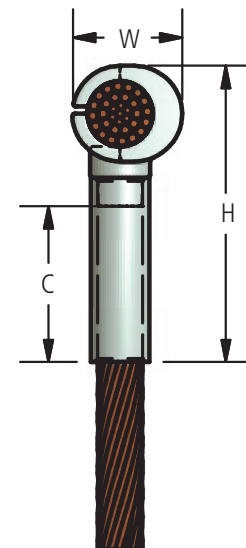
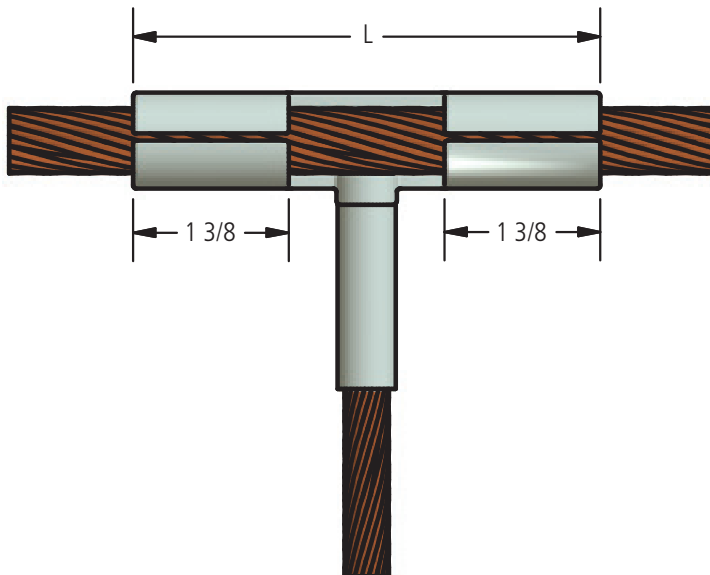
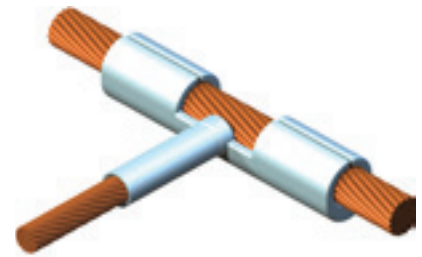
A tee connector with compression elements on both run and tap. Designed to make tap connections on a continuous run. Run member is U-shaped before installation and after compression the heavily tapered tabs conform to cable to produce a secure electrical.

#### Material

Tin plated copper alloy

#### Note

Tool references furnished upon request.



## DOSSERT®

### TYPE CST

Copper Compression Tee Connector For Cable To Cable

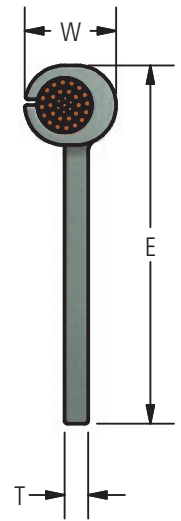
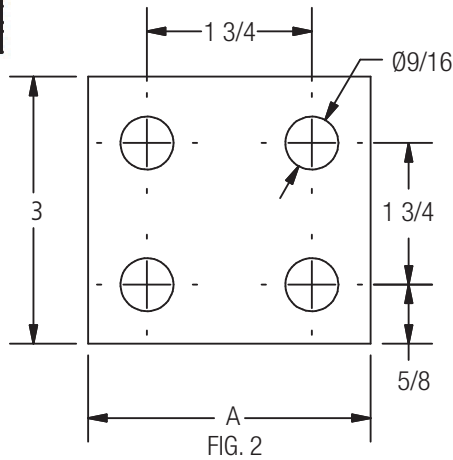
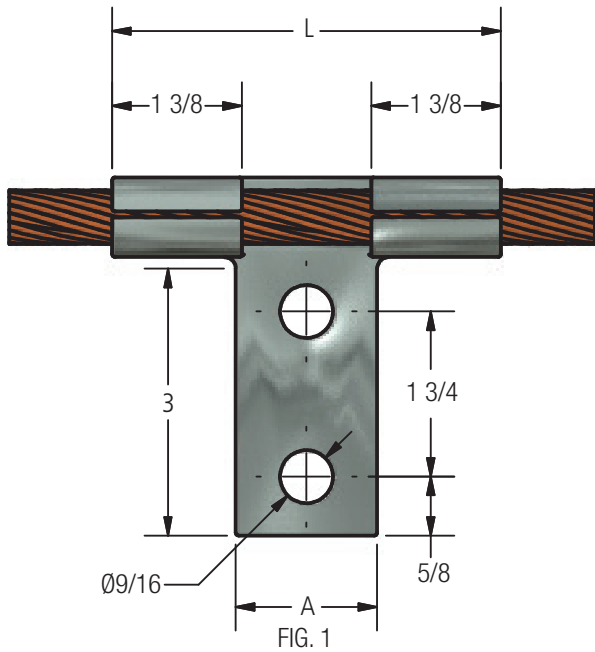
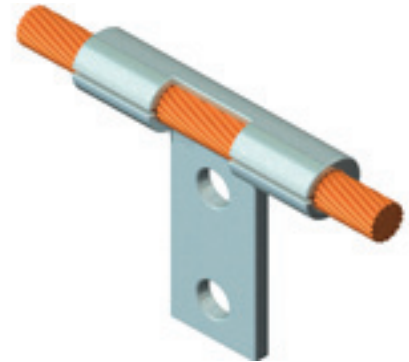
#### Ordering Information

CATALOG NUMBER	CABLE RANGE		DIMENSIONS IN INCHES				NUMBER OF INDENT
	RUN	TAP	C	H	L	W	
CST21-2	4/0 Str.	6 Str.	1 1/4	2 5/16	3 3/4	7/8	1
CST21-4	4/0 Str.	4 Str.	1 1/4	2 5/16	3 3/4	7/8	1
CST21-6	4/0 Str.	2 Str.	1 5/16	2 7/16	3 3/4	7/8	1
CST21-8	4/0 Str.	1 Str.	1 3/8	2 9/16	4	7/8	1
CST21-10	4/0 Str.	1/0 Str.	1 3/8	2 9/16	4	7/8	1
CST21-13	4/0 Str.	2/0 Str.	1 1/2	2 11/16	4	7/8	1
CST21-17	4/0 Str.	3/0 Str.	1 1/2	2 11/16	4	7/8	1
CST21-21	4/0 Str.	4/0 Str.	1 5/8	2 3/4	4	7/8	1
CST25-2	250 kcmil	6 Str.	1 1/4	2 3/8	3 13/16	15/16	1
CST25-4	250 kcmil	4 Str.	1 1/4	2 3/8	3 13/16	15/16	1
CST25-6	250 kcmil	2 Str.	1 5/16	2 1/2	3 13/16	15/16	1
CST25-8	250 kcmil	1 Str.	1 3/8	2 5/8	3 13/16	15/16	1
CST25-10	250 kcmil	1/0 Str.	1 3/8	2 5/8	4 1/8	15/16	1
CST25-13	250 kcmil	2/0 Str.	1 1/2	2 3/4	4 1/8	15/16	1
CST25-17	250 kcmil	3/0 Str.	1 1/2	2 3/4	4 1/8	15/16	1
CST25-21	250 kcmil	4/0 Str.	1 5/8	2 7/8	4 1/8	15/16	1
CST25-25	250 kcmil	250 kcmil	1 5/8	2 7/8	4 1/8	15/16	1
CST35-2	350 kcmil	6 Str.	1 1/4	2 5/8	4 1/16	1 1/16	1
CST35-4	350 kcmil	4 Str.	1 1/4	2 5/8	4 1/16	1 1/16	1
CST35-6	350 kcmil	2 Str.	1 5/16	2 11/16	4 1/16	1 1/16	1
CST35-8	350 kcmil	1 Str.	1 3/8	2 13/16	4 1/16	1 1/16	1
CST35-10	350 kcmil	1/0 Str.	1 3/8	2 3/4	4 1/16	1 1/16	1
CST35-13	350 kcmil	2/0 Str.	1 1/2	2 7/8	4 1/16	1 1/16	1
CST35-17	350 kcmil	3/0 Str.	1 1/2	2 7/8	4 9/16	1 1/16	1
CST35-21	350 kcmil	4/0 Str.	1 5/8	3	4 9/16	1 1/16	1
CST35-25	350 kcmil	250 kcmil	1 5/8	3	4 9/16	1 1/16	1
CST35-35	350 kcmil	350 kcmil	2	3 3/8	4 9/16	1 1/16	2
CST50-4	500 kcmil	4 Str.	1 1/4	2 3/4	4 3/16	1 1/16	1
CST50-6	500 kcmil	2 Str.	1 5/16	2 7/8	4 3/16	1 1/16	1
CST50-8	500 kcmil	1 Str.	1 3/8	2 15/16	4 3/16	1 1/16	1
CST50-10	500 kcmil	1/0 Str.	1 3/8	2 15/16	4 3/16	1 1/16	1
CST50-13	500 kcmil	2/0 Str.	1 1/2	3 1/16	4 3/16	1 1/16	1
CST50-17	500 kcmil	3/0 Str.	1 1/2	3	4 11/16	1 1/16	1
CST50-21	500 kcmil	4/0 Str.	1 5/8	3 1/8	4 11/16	1 1/16	1
CST50-25	500 kcmil	250 kcmil	1 5/8	3 1/8	4 11/16	1 1/16	1
CST50-35	500 kcmil	350 kcmil	2	3 1/2	4 11/16	1 1/16	2
CST50-50	500 kcmil	500 kcmil	2 1/4	3 3/4	4 11/16	1 1/16	2

### DOSSERT® TYPE CSTF Compression Tap Connector

#### Material

Tin plated copper alloy



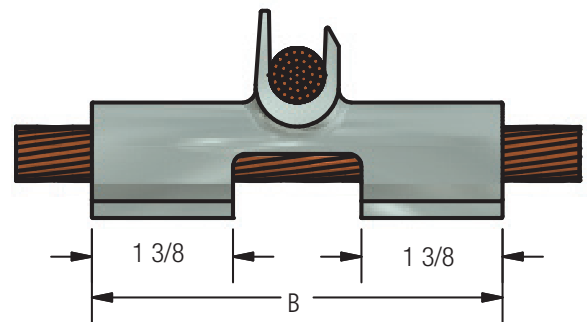
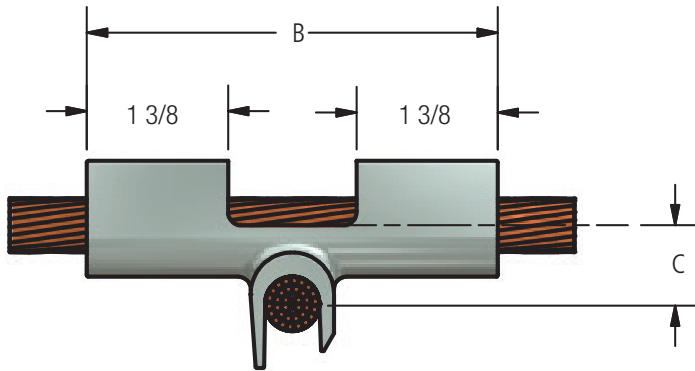
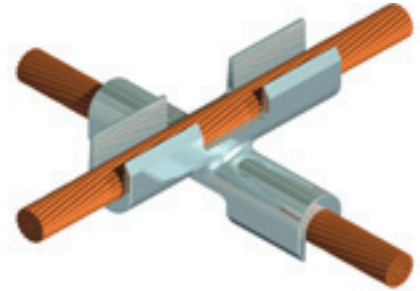
### Ordering Information

CATALOG NUMBER	CABLE SIZE	FIG. NUM.	DIMENSIONS IN INCHES				
			A	E	L	T	W
CSTF13-1-2N	2/0 STR	1	1 1/2	3 7/8	4 3/4	1/4	3/4
CSTF21-1-2N	4/0 STR	1	1 1/2	4 1/16	4 3/4	1/4	7/8
CSTF21-1-4N	4/0 STR	2	3	4 1/16	6 1/4	1/4	7/8
CSTF35-1-2N	350 MCM	1	1 1/2	4 3/16	4 3/4	5/16	1 1/16
CSTF35-1-4N	350 MCM	2	3	4 3/16	6 1/4	5/16	1 1/16

### DOSSERT® TYPE CSX Compression Cross Connector

#### Material

Tin plated copper alloy



#### Ordering Information

CATALOG NUMBER	CONDUCTOR SIZE		DIMENSIONS IN INCHES	
			B	C
CSX13-13	2/0 STR	2/0 STR	3 13/16	19/32
CSX21-13	4/0 STR	2/0 STR	4 1/4	3/4
CSX21-21	4/0 STR	4/0 STR	4 1/4	25/32
CSX50-50	500 MCM	500 MCM	4 5/8	1 1/8

### DOSSERT®

#### TYPE DPC-T

#### Copper Compression Coupler For Cable

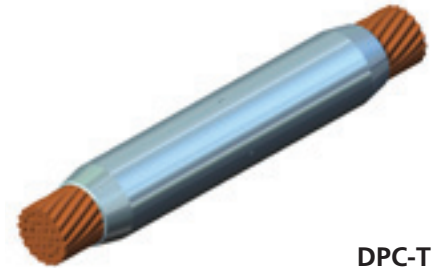
A seamless sleeve coupler for splicing two cables end to end. This coupler is designed to fit the assembling dies of all standard hydraulic presses. Installation is quickly effected by slipping the connector over the free cable ends and forming indentations.

#### Material

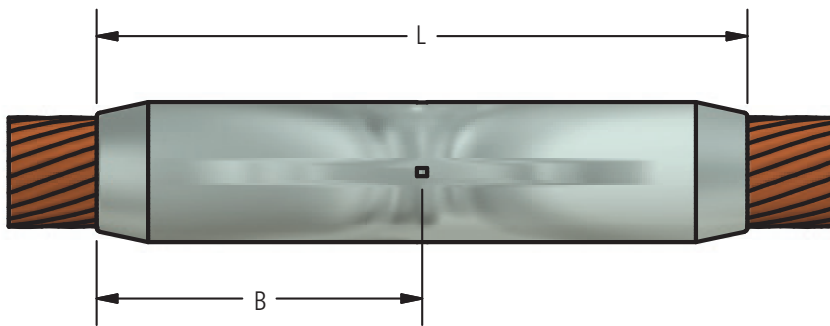
Tin plated copper alloy



DPC



DPC-T



### Ordering Information

CATALOG NUMBER		CABLE SIZE	DIMENSIONS IN INCHES	
STANDARD	TAPERED		B	L
DPC2	DPC2-T	6 Str.	1 1/8	2 5/16
DPC4	DPC4-T	4 Str.	1 1/8	2 5/16
DPC5	DPC5-T	3 Str.	1 1/4	2 5/8
DPC6	DPC6-T	2 Str.	1 1/4	2 5/8
DPC8	DPC8-T	1 Str.	1 7/16	3
DPC10	DPC10-T	1/0 Str.	1 7/16	3
DPC13	DPC13-T	2/0 Str.	1 1/2	3 1/8
DPC17	DPC17-T	3/0 Str.	1 1/2	3 1/8
DPC21	DPC21-T	4/0 Str.	1 5/8	3 3/8
DPC25	DPC25-T	250 MCM	1 5/8	3 3/8
DPC30	DPC30-T	300 MCM	2 1/16	4 1/4
DPC35	DPC35-T	350 MCM	2 1/16	4 1/4
DPC40	DPC40-T	400 MCM	2 1/8	4 3/8
DPC45	DPC45-T	450 MCM	2 1/8	4 3/8
DPC50	DPC50-T	500 MCM	2 1/4	4 5/8
DPC55	DPC55-T	550 MCM	2 5/8	5 3/8
DPC60	DPC60-T	600 MCM	2 11/16	5 1/2
DPC65	DPC65-T	650 MCM	2 13/16	5 3/4
DPC75	DPC75-T	750 MCM	2 7/8	5 7/8
DPC80	DPC80-T	800 MCM	2 15/16	6
DPC85	DPC85-T	850 MCM	2 15/16	6
DPC100	DPC100-T	1000 MCM	3	6 1/8
DPC125	DPC125-T	1250 MCM	3 1/4	6 5/8
DPC130	DPC130-T	1300 MCM	3 1/4	6 5/8
DPC150	DPC150-T	1500 MCM	3 1/4	6 5/8
DPC175	DPC175-T	1750 MCM	3 1/2	7 1/8
DPC200	DPC200-T	2000 MCM	3 1/2	7 1/8

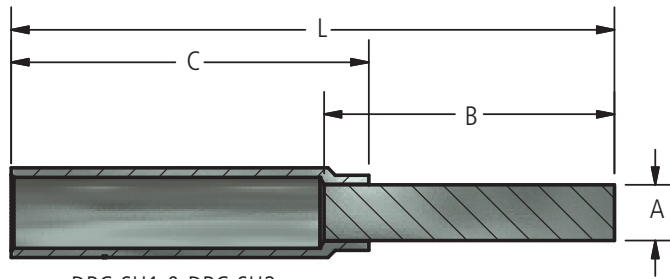
For information on installation tools refer to pages 246 and 247.

### DOSSERT® TYPE DPC-SH1, DPC-SH2, DPC-SH-90 Cable Terminal

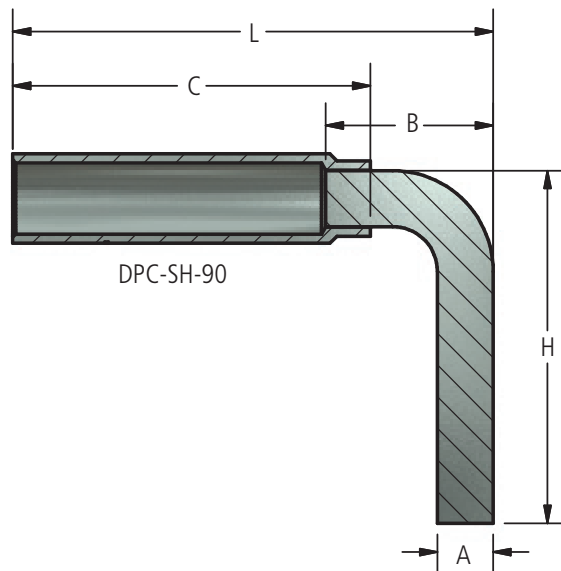
A compression seal plug for terminating a cable with a straight stud end. The cable receiving socket is provided with a shroud which makes a close fit over cable insulation. A weather seal for cable risers is provided by the shroud. Stud is specially bonded to cable socket element to form a single unit possessing high mechanical strength and high electrical conductivity. Made of pure copper and tin plated.

#### Material

Copper Alloy Electro Tin Plated



DPC-SH1 & DPC-SH2



DPC-SH-90

## DOSSERT®

### TYPE DPC-SH1, DPC-SH2, DPC-SH-90 Cable Terminal

#### Ordering Information

SH1 - SHORT TYPE							
CATALOG NUMBER	CABLE SIZE	DIMENSIONS IN INCHES					INDEX NO.
		A	B	C	H	L	
DPC4-SH1	#4 STR.	0.187	1.50	1.44	--	2.688	#8
DPC6-SH1	#2 STR.	0.250	1.56	1.56	--	2.880	#10
DPC8-SH1	#1 STR.	0.250	1.63	1.81	--	3.188	#11
DPC10-SH1	1/0 STR.	0.313	1.63	2.00	--	3.380	#12
DPC13-SH1	2/0 STR.	0.313	1.63	1.94	--	3.310	#13
DPC21-SH1	4/0 STR.	0.375	2.19	2.06	--	4.000	#15
DPC25-SH1	250 MCM	0.375	2.13	2.16	--	3.910	#16
DPC35-SH1	350 MCM	0.438	2.13	2.59	--	4.340	#18
DPC50-SH1	500 MCM	0.500	2.91	3.13	--	5.530	#20
DPC75-SH1	750 MCM	0.500	4.38	3.88	--	7.875	#24

SH2 - LONG TYPE							
CATALOG NUMBER	CABLE SIZE	DIMENSIONS IN INCHES					INDEX NO.
		A	B	C	H	L	
DPC4-SH2	#4 STR.	0.188	10.25	1.44	--	11.438	#8
DPC6-SH2	#2 STR.	0.250	10.25	1.56	--	11.560	#10
DPC8-SH2	#1 STR.	0.250	10.25	1.81	--	11.810	#11
DPC10-SH2	1/0 STR.	0.313	10.25	2.00	--	12.000	#12
DPC13-SH2	2/0 STR.	0.313	10.25	1.94	--	11.940	#13
DPC21-SH2	4/0 STR.	0.375	10.25	2.06	--	12.060	#15
DPC25-SH2	250 MCM	0.375	10.38	2.16	--	12.160	#16
DPC35-SH2	350 MCM	0.438	10.38	2.59	--	12.590	#18
DPC50-SH2	500 MCM	0.500	10.50	3.13	--	13.130	#20
DPC75-SH2	750 MCM	0.500	10.38	3.88	--	13.880	#24

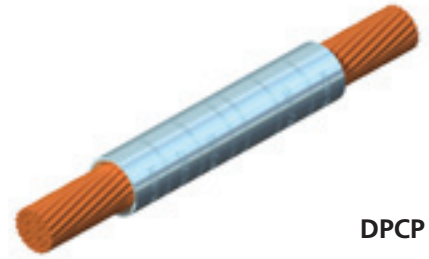
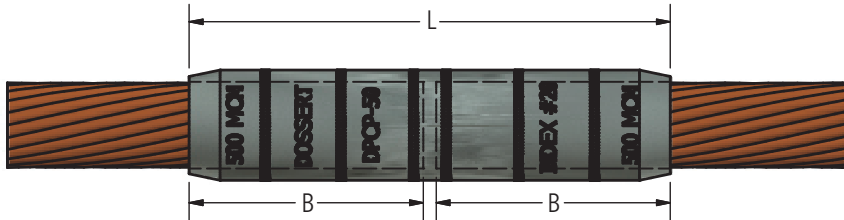
SH-90 TYPE							
CATALOG NUMBER	CABLE SIZE	DIMENSIONS IN INCHES					INDEX NO.
		A	B	C	H	L	
DPC4-SH-90	#4 STR.	0.188	0.75	1.44	1.75	1.940	#8
DPC6-SH-90	#2 STR.	0.250	0.88	1.56	1.88	2.190	#10
DPC8-SH-90	#1 STR.	0.250	0.88	1.81	1.88	2.438	#11
DPC10-SH-90	1/0 STR.	0.313	0.94	2.00	1.97	2.690	#12
DPC13-SH-90	2/0 STR.	0.313	1.00	1.94	1.97	2.690	#13
DPC21-SH-90	4/0 STR.	0.375	1.00	2.06	2.13	2.810	#15
DPC25-SH-90	250 MCM	0.375	1.13	2.16	2.63	3.030	#16
DPC35-SH-90	350 MCM	0.438	1.25	2.59	2.75	3.590	#18
DPC50-SH-90	500 MCM	0.500	1.38	3.13	3.25	4.250	#20

For information on installation tools refer to pages 246 and 247.

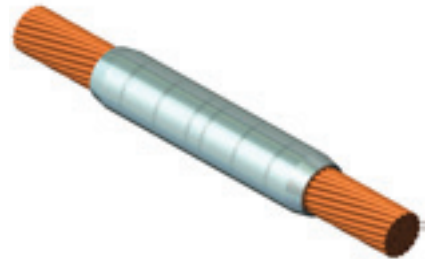
### DOSSERT® TYPE DPCP, DPCP-T

#### Material

Tin plated copper alloy



DPCP



DPCP-T

#### Ordering Information

CATALOG NUMBER		CABLE SIZE	DIMENSIONS IN INCHES	
DPCP	DPCP-T		B	L
DPCP2	DPCP2-T	6 Str.	1 1/8	2 3/8
DPCP4	DPCP4-T	4 Str.	1 1/8	2 3/8
DPCP6	DPCP6-T	2 Str.	1 1/4	2 5/8
DPCP8	DPCP8-T	1 Str.	1 3/8	2 7/8
DPCP10	DPCP10-T	1/0 Str.	1 3/8	2 7/8
DPCP13	DPCP13-T	2/0 Str.	1 1/2	3 1/8
DPCP17	DPCP17-T	3/0 Str.	1 1/2	3 1/8
DPCP21	DPCP21-T	4/0 Str.	1 5/8	3 3/8
DPCP25	DPCP25-T	250 MCM	1 5/8	3 3/8
DPCP30	DPCP30-T	300 MCM	2	4 1/8
DPCP35	DPCP35-T	350 MCM	2	4 1/8
DPCP40	DPCP40-T	400 MCM	2 1/8	4 3/8
DPCP50	DPCP50-T	500 MCM	2 1/4	4 5/8
DPCP60	DPCP60-T	600 MCM	2 11/16	5 1/2
DPCP75	DPCP75-T	750 MCM	2 7/8	5 7/8
DPCP80	DPCP80-T	800 MCM	2 15/16	6
DPCP100	DPCP100-T	1000 MCM	3	6 1/8
DPCP125	DPCP125-T	1250 MCM	3 3/16	6.5
DPCP150	DPCP150-T	1500MCM	3 3/16	6.5
DPCP200	DPCP200-T	2000 MCM	3 7/16	7

For information on installation tools refer to pages 246 and 247.

### DOSSERT®

#### TYPE DPL, DPLA-45, DPLA-90

Copper Long Barrel Compression Terminal

DPLA-45 is at an angle of 45° and DPLA-90 is at an angle of 90°.

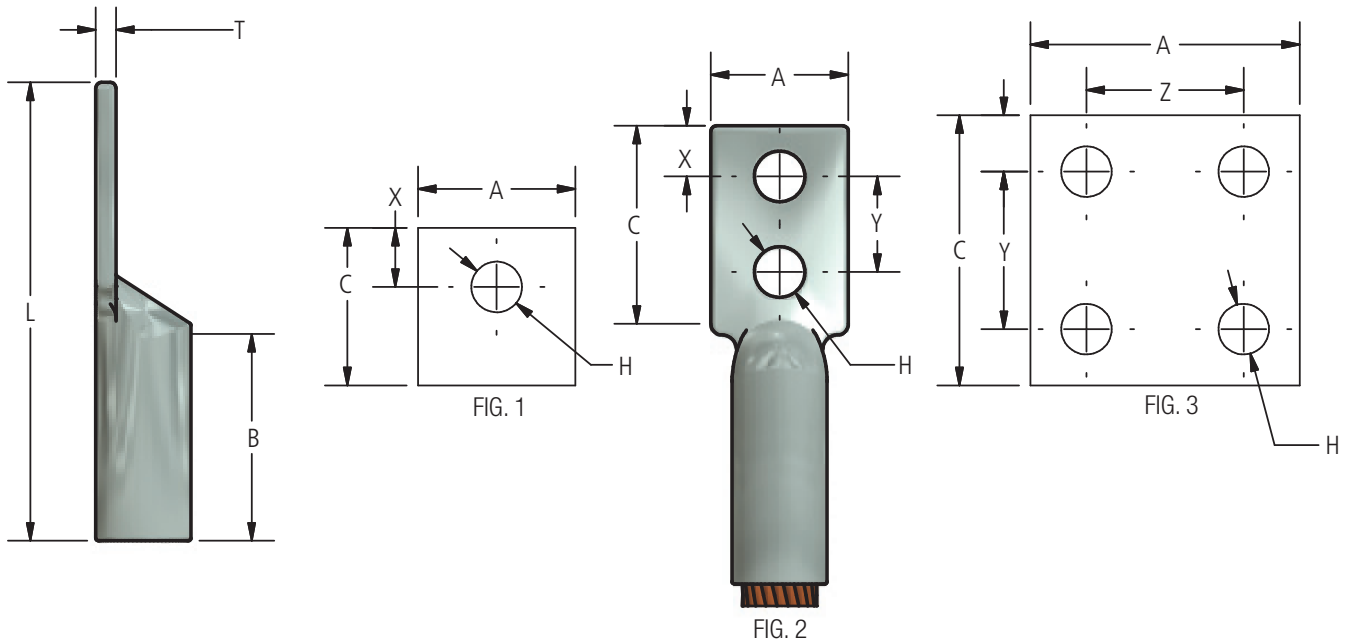
A precision made compression terminal lug for a full range of conductor sizes with 1, 2 and 4 hole pads in the larger sizes. Conductor is secured by indenting the barrel with any standard compression tool made for electrical lugs.

#### Material

Tin plated copper alloy

#### Note

- Terminal pads can be drilled to custom hole sizes and spacing.
- For a 45° angle add suffix "-45" to end of catalog number and an "A" in the catalog number. Ex:DPLA2-1-45
- For a 90° angle add suffix "-90" to end of catalog number Ex:DPLA2-1-90



## DOSSERT®

### TYPE DPL, DPLA-45, DPLA-90 Copper Long Barrel Compression Terminal

#### Ordering Information

CATALOG NUMBER	CABLE SIZE	FIG. NO.	DIMENSIONS IN INCHES								DIE INDEX
			A	B	C	H	L	T	X	Y AND Z	
DPL2-1	#6 STR	1	7/16	1 1/8	11/16	9/32	2 1/16	5/64	5/16	-	7
DPL2-2	#6 STR	2	7/16	1 1/8	1 5/16	9/32	2 11/16	5/64	5/16	5/8	7
DPL2-38	#6 STR	1	19/32	1 1/8	13/16	13/32	2 3/16	5/64	3/8	-	7
DPL4-1	#4 STR	1	1/2	1 1/8	11/16	9/32	2 3/32	3/32	5/16	-	8
DPL4-2	#4 STR	2	1/2	1 1/8	1 5/16	9/32	2 23/32	3/32	5/16	5/8	8
DPL4-38	#4 STR	1	19/32	1 1/8	13/16	13/32	2 3/16	3/32	3/8	-	8
DPL5-1	#3 STR	1	17/32	1 1/4	3/4	11/32	2 1/4	11/32	3/32	-	9
DPL5-2	#3 STR	2	17/32	1 1/4	1 1/2	11/32	3	11/32	3/32	3/4	9
DPL6-1	#2 STR	1	5/8	1 1/4	3/4	11/32	2 11/32	3/32	11/32	-	10
DPL6-2	#2 STR	2	5/8	1 1/4	1 1/2	11/32	3 3/32	3/32	11/32	3/4	10
DPL6-38	#2 STR	1	5/8	1 1/4	7/8	13/32	2 15/32	3/32	13/32	-	10
DPL6-50	#2 STR	1	13/16	1 1/4	1 1/4	9/16	3	5/64	5/8	-	10
DPL8-1	#1 STR	1	11/16	1 3/8	3/4	11/32	2 3/8	3/32	11/32	-	11
DPL8-2	#1 STR	2	11/16	1 3/8	1 5/8	11/32	3 1/4	3/32	11/32	7/8	11
DPL8-38	#1 STR	1	11/16	1 3/8	7/8	13/32	2 1/2	3/32	13/32	-	11
DPL8-50	#1 STR	1	13/16	1 3/8	1 5/16	9/16	3 3/8	5/64	5/8	-	11
DPL10-1	1/0 STR	1	3/4	1 3/8	3/4	11/32	2 9/16	7/64	11/32	-	12
DPL10-2	1/0 STR	2	3/4	1 3/8	1 5/8	11/32	3 7/16	7/64	11/32	7/8	12
DPL10-2N	1/0 STR	2	13/16	1 3/8	3 1/16	9/16	4 7/8	3/32	5/8	1 3/4	12
DPL10-38	1/0 STR	1	3/4	1 3/8	13/16	13/32	2 5/8	7/64	3/8	-	12
DPL10-50	1/0 STR	1	13/16	1 3/8	1 1/4	9/16	2 7/8	3/32	5/8	-	12
DPL13-1	2/0 STR	1	13/16	1 1/2	13/16	7/16	2 3/4	1/8	3/8	-	13
DPL13-2	2/0 STR	2	13/16	1 1/2	1 5/8	11/32	3 9/16	1/8	11/32	7/8	13
DPL13-2N	2/0 STR	2	13/16	1 1/2	3 1/16	9/16	5	1/8	5/8	1 3/4	13
DPL13-50	2/0 STR	1	13/16	1 1/2	1 1/4	9/16	3 1/4	1/8	5/8	-	13
DPL17-1	3/0 Str.	1	29/32	1 1/2	1 1/4	9/16	3 3/32	9/64	5/8	-	14
DPL17-2	3/0 Str	2	29/32	1 1/2	1 13/16	7/16	3 25/32	9/64	3/8	1	14
DPL17-2N	3/0 Str	2	29/32	1 1/2	3 1/16	9/16	5 1/32	9/64	5/8	1 3/4	14
DPL21-1	4/0 Str.	1	1	1 5/8	1 1/4	9/16	3 11/32	9/64	5/8	-	15
DPL21-2	4/0 Str.	2	1	1 5/8	1 13/16	7/16	4 1/32	9/64	3/8	1	15
DPL21-2N	4/0 Str.	2	1	1 5/8	3 1/16	9/16	5 9/32	9/64	5/8	1 3/4	15
DPL21-38	4/0 Str.	1	1	1 5/8	1	7/16	3 3/32	9/64	7/16	-	15
DPL21-62	4/0 Str.	1	1	1 5/8	1 1/4	21/32	3 7/8	9/64	5/8	-	15
DPL25-1	250 MCM	1	1 3/32	1 5/8	1 1/4	9/16	3 11/32	5/32	5/8	-	16
DPL25-2	250 MCM	2	1 3/32	1 5/8	1 13/16	7/16	4 1/32	5/32	3/8	1	16
DPL25-2N	250 MCM	2	1 3/32	1 5/8	3 1/16	9/16	5 9/32	5/32	5/8	1 3/4	16
DPL25-38	250 MCM	1	1 3/32	1 5/8	1	7/16	3 3/32	5/32	7/16	-	16
DPL30-1	300 MCM	1	1 3/16	2	1	9/16	3 3/4	5/32	5/8	-	17
DPL30-2	300 MCM	2	2	2	2	9/16	4 1/2	5/32	3/8	1 1/16	17
DPL30-2N	300 MCM	2	1 3/16	2	3	9/16	5 11/16	5/32	5/8	1 3/4	17
DPL30-31	300 MCM	1	1 3/16	2	3/4	11/32	3 3/8	5/32	11/32	-	17
DPL30-38	300 MCM	1	1 3/16	2	13/16	7/16	3 7/16	5/32	3/8	-	17
DPL35-1	350 MCM	1	1 9/32	2	1 1/4	9/16	3 13/16	11/64	5/8	-	18
DPL35-2	350 MCM	2	1 9/32	2	1 7/8	7/16	4 9/16	11/64	3/8	1 1/16	18
DPL35-2N	350 MCM	2	1 9/32	2	3 3/16	9/16	5 3/4	11/64	5/8	1 3/4	18
DPL35-38	350 MCM	1	1 9/32	2	13/16	7/16	3 3/8	11/64	3/8	-	18
DPL40-1	400 MCM	1	1 3/8	2 1/8	1 3/8	11/16	4 1/8	3/16	21/32	-	19
DPL40-2	400 MCM	2	1 3/8	2 1/8	2	7/16	4 3/4	3/16	7/16	1 1/16	19
DPL40-2N	400 MCM	2	1 3/8	2 1/8	3 1/16	9/16	5 13/16	3/16	5/8	1 3/4	19
DPL40-38	400 MCM	1	1 3/8	2 1/8	15/16	7/16	3 11/16	3/16	7/16	-	19
DPL40-50	400 MCM	1	1 3/8	2 1/8	1 1/4	9/16	3 7/8	3/16	5/8	-	19
DPL40-87	400 MCM	1	1 3/8	2 1/8	1 7/8	29/32	4 5/8	3/16	7/8	-	19
DPL50-1	500 MCM	1	1 17/32	2 1/4	1 3/8	11/16	4 15/32	7/32	21/32	-	20
DPL50-2	500 MCM	2	1 17/32	2 1/4	2	7/16	5 3/32	7/32	7/16	1 1/16	20
DPL50-2N	500 MCM	2	1 17/32	2 1/4	3 1/16	9/16	6 5/32	7/32	5/8	1 3/4	20
DPL50-50	500 MCM	1	1 17/32	2 1/4	1 1/4	9/16	4 7/32	7/32	5/8	-	20
DPL50-87	500 MCM	1	1 17/32	2 1/4	1 7/8	29/32	4 31/32	7/32	7/8	-	20
DPL60-1	600 MCM	1	1 23/32	2 11/16	1 13/16	11/16	5 19/32	17/64	7/8	-	22
DPL60-2	600 MCM	2	1 23/32	2 11/16	2 1/16	7/16	5 27/32	17/64	7/16	1 1/8	22
DPL60-2N	600 MCM	2	1 23/32	2 11/16	3 1/16	9/16	6 29/32	17/64	5/8	1 3/4	22
DPL60-50	600 MCM	1	1 23/32	2 11/16	1 1/4	9/16	5 1/32	17/64	5/8	-	22
DPL75-1	750 MCM	1	1 7/8	2 7/8	1 7/8	11/16	5 23/32	17/64	7/8	-	24

## DOSSERT®

### TYPE DPL, DPLA-45, DPLA-90

Copper Long Barrel Compression Terminal

#### Ordering Information

CATALOG NUMBER	CABLE SIZE	FIG. NO.	DIMENSIONS IN INCHES								DIE INDEX
			A	B	C	H	L	T	X	Y AND Z	
DPL75-2	750 MCM	2	1 7/8	2 7/8	2 1/4	7/16	6 3/32	17/64	1/2	1 1/8	24
DPL75-2N	750 MCM	2	1 7/8	2 7/8	3 1/8	9/16	6 31/32	17/64	5/8	1 3/4	24
DPL75-50	750 MCM	1	1 7/8	2 7/8	1 1/4	9/16	5 15/32	17/64	5/8	-	24
DPL75-87	750 MCM	1	1 7/8	2 7/8	1 7/8	29/32	5 23/32	17/64	7/8	-	24
DPL80-1	800 MCM	1	1 15/16	2 15/16	2	11/16	5 13/16	9/32	15/16	-	25
DPL80-2	300 MCM	2	1 15/16	2 15/16	2 1/4	7/16	6 3/16	9/32	1/2	1 1/8	25
DPL80-2N	800 MCM	2	1 15/16	2 15/16	3 1/8	9/16	7 1/16	9/32	5/8	1 3/4	25
DPL100-1	1000 MCM	1	2 5/32	3	2	11/16	6 3/8	21/64	15/16	-	27
DPL100-2	1000 MCM	2	2 5/32	3	2 1/2	9/16	6 5/8	21/64	9/16	1 1/4	27
DPL100-2N	1000 MCM	2	2 5/32	3	3 1/8	9/16	7 1/4	21/64	5/8	1 3/4	27
DPL100-4	1000 MCM	3	2 5/32	3	2 1/4	7/16	6 3/8	21/64	1/2	1 1/8	27
DPL125-1	1250 MCM	1	2 7/16	3 3/16	2 1/4	11/16	6 5/8	11/32	1 1/16	-	29
DPL125-2N	1250 MCM	2	2 7/16	3 3/16	3 1/8	9/16	7 1/2	11/32	5/8	1 3/4	29
DPL150-1	1500 MCM	1	2 11/16	3 3/16	2 3/8	13/16	7 1/4	25/64	1 1/8	-	31
DPL150-2	1500 MCM	2	2 11/16	3 3/16	2 5/8	9/16	7 1/2	25/64	9/16	1 3/8	31
DPL150-2N	1500 MCM	2	2 11/16	3 3/16	3 1/8	9/16	7 13/16	25/64	5/8	1 3/4	31
DPL150-4	1500 MCM	3	2 11/16	3 3/16	2 5/8	9/16	7 1/2	25/64	9/16	1 3/8	31
DPL150-4N	1500 MCM	3	2 11/16	3 3/16	3 1/8	9/16	7 13/16	25/64	5/8	1 3/4	31
DPL200-1	2000 MCM	1	3 5/64	3 7/16	2 1/2	13/16	7 3/8	15/32	1 3/16	-	34
DPL200-2	2000 MCM	2	3 5/64	3 7/16	2 3/4	9/16	7 5/8	15/32	9/16	1 1/2	34
DPL200-2N	2000 MCM	2	3 5/64	3 7/16	3 1/8	9/16	8	15/32	5/8	1 3/4	34
DPL200-4	2000 MCM	3	3 5/64	3 7/16	2 3/4	9/16	7 5/8	15/32	9/16	1 1/2	34
DPL200-4N	2000 MCM	3	3 5/64	3 7/16	3 1/8	9/16	8	15/32	5/8	1 3/4	34

For information on installation tools refer to pages 246 and 247.

### DOSSERT®

#### TYPE DPLE-N

#### Copper Heavy Duty Terminal For Cable

A compression terminal lug designed to provide the necessary pad width for NEMA two-hole and four-hole standard drilling. The barrel element is made of high conductivity copper specially bonded to the cast copper alloy body. Completely tin plated for maximum resistance to corrosion. All sizes are designed to indentations in cable socket.

#### Material

Copper Alloy

#### Note

Add suffix (F) to catalog number for pad to be machined on both sides. Ex:DPLE150-4N-F

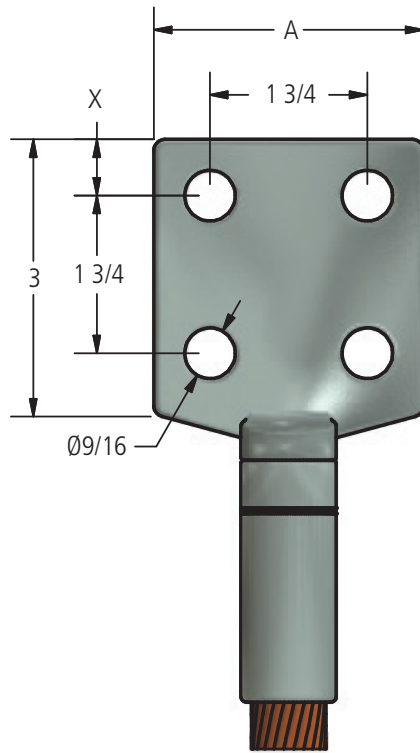
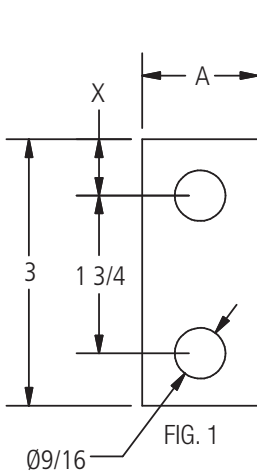
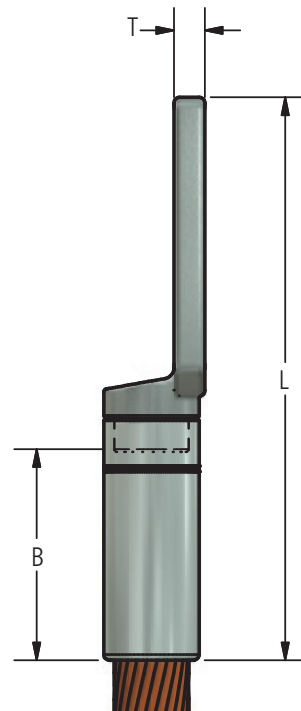


FIG. 2



## DOSSERT®

### TYPE DPLE-N

Copper Heavy Duty Terminal For Cable

#### Ordering Information

CATALOG NUMBER	CABLE SIZE	FIG. NO.	DIMENSIONS IN INCHES				
			A	B	L	T	X
DPLE2-2N	6 Str	1	1	1 1/4	4 5/8	3/16	5/8
DPLE4-2N	4 Str	1	1	1 1/4	4 5/8	3/16	5/8
DPLE6-2N	2 Str	1	1 1/8	1 3/8	4 3/4	7/32	5/8
DPLE8-2N	1 Str	1	1 1/8	1 1/2	5	7/32	5/8
DPLE10-2N	1/0 Str	1	1 1/4	1 1/2	5	1/4	5/8
DPLE13-2N	2/0 Str	1	1 1/4	2 1/8	5 3/4	1/4	5/8
DPLE17-2N	3/0 Str	1	1 1/4	2 1/8	5 3/4	1/4	5/8
DPLE17-4N	3/0 Str	2	3	2 1/8	5 3/4	1/4	5/8
DPLE21-2N	4/0 Str	1	1 1/4	2 1/8	5 11/16	1/4	5/8
DPLE21-4N	4/0 Str	2	3	2 1/8	5 11/16	1/4	5/8
DPLE25-2N	250 MCM	1	1 1/4	2 1/8	5 11/16	5/16	5/8
DPLE25-4N	250 MCM	2	3	2 1/8	5 11/16	5/16	5/8
DPLE30-2N	300 MCM	1	1 3/8	2 1/8	6 1/16	5/16	5/8
DPLE30-4N	300 MCM	2	3	2 1/8	6 1/16	5/16	5/8
DPLE35-2N	350 MCM	1	1 3/8	2 1/4	6 3/16	5/16	5/8
DPLE35-4N	350 MCM	2	3	2 1/4	6 3/16	5/16	5/8
DPLE40-2N	400 MCM	1	1 1/2	2 1/4	6 1/4	5/16	5/8
DPLE40-4N	400 MCM	2	3	2 1/4	6 1/4	5/16	5/8
DPLE50-2N	500 MCM	1	1 1/2	2 1/4	6 1/4	11/32	5/8
DPLE50-4N	500 MCM	2	3	2 1/4	6 1/4	11/32	5/8
DPLE60-2N	600 MCM	1	1 3/4	2 3/4	6 13/16	3/8	5/8
DPLE60-4N	600 MCM	2	3	2 3/4	6 13/16	3/8	5/8
DPLE65-2N	650 MCM	1	1 3/4	2 7/8	6 7/8	3/8	5/8
DPLE75-2N	750 MCM	1	1 3/4	3	7	3/8	5/8
DPLE75-4N	750 MCM	2	3	3	7	3/8	5/8
DPLE80-2N	800 MCM	1	1 3/4	3	7 1/8	3/8	5/8
DPLE80-4N	800 MCM	2	3	3	7 1/8	1/2	5/8
DPLE100-2N	1000 MCM	1	1 3/4	3	7 1/8	1/2	5/8
DPLE100-4N	1000 MCM	2	3	3	7 1/8	1/2	5/8
DPLE125-2N	1250 MCM	1	2 3/8	3 1/4	7 1/4	1/2	5/8
DPLE125-4N	1250 MCM	2	3	3 1/4	7 1/4	1/2	5/8
DPLE150-2N	1500 MCM	1	2 5/8	3 1/4	7 1/2	9/16	5/8
DPLE150-4N	1500 MCM	2	3	3 1/4	7 1/2	9/16	5/8
DPLE200-2N	2000 MCM	1	2 3/4	3 3/8	7 3/4	5/8	5/8
DPLE200-4N	2000 MCM	2	3	3 3/8	7 3/4	5/8	5/8
DPLE200-4N4	2000 MCM	2	4	3 3/8	8 3/4	5/8	1 1/8

For information on installation tools refer to pages 246 and 247.

### DOSSERT® TYPE DPLS Copper Short Barrel Terminal

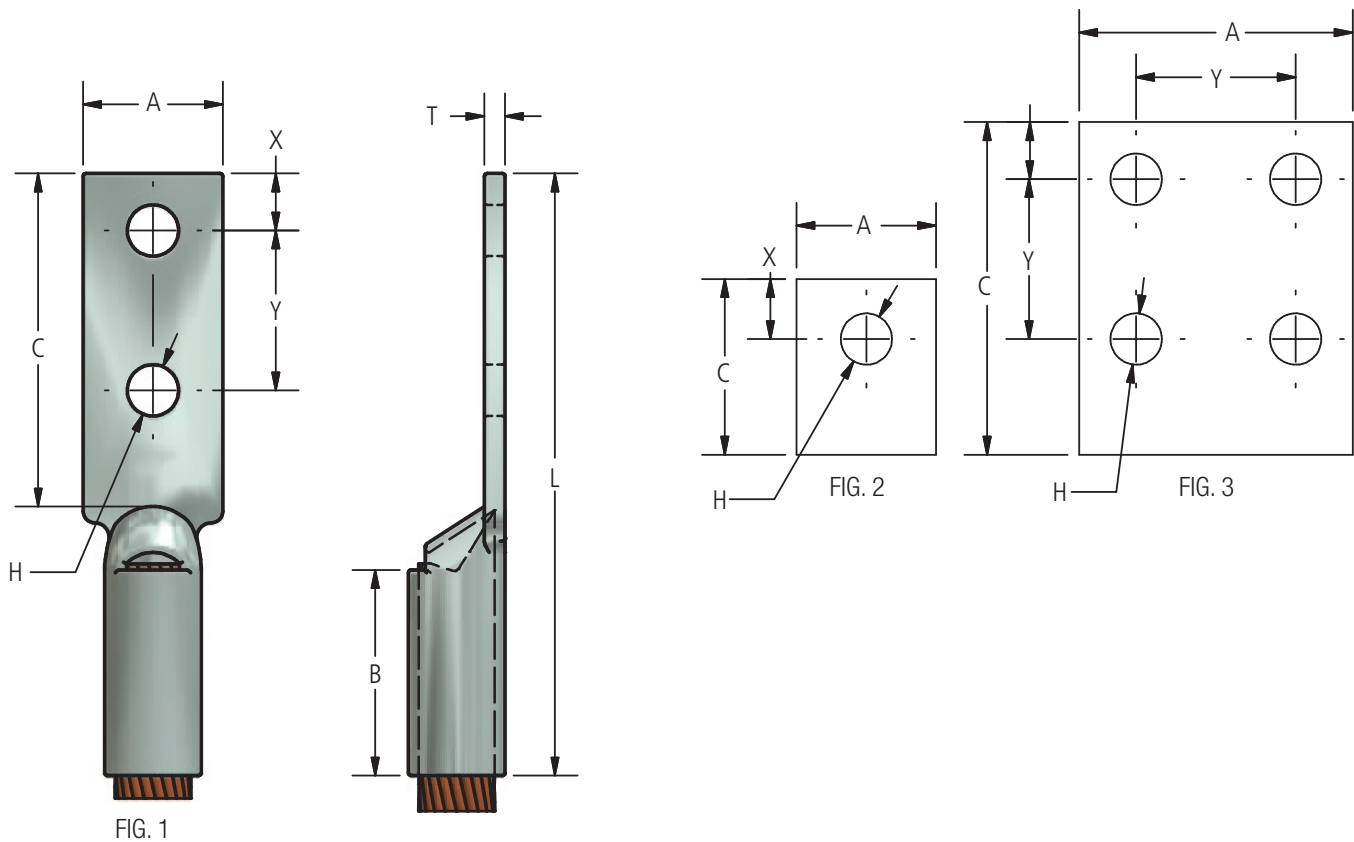
For connecting cable to flat contact. A short barrel compression terminal lug for a complete range of cable sizes from 6 str. to 2000 MCM. The short barrel feature enables terminal to be installed where space is at a minimum. An inspection aperture insures full insertion of cable. A generous entrance chamfer facilitates cable insertion. NEMA standard drilling and stud or screw spacing are identified by the letter "N" suffixed to catalog number.

#### Material

Tin plated copper alloy

#### Note

Terminal pads can be drilled to custom hole sizes and spacing. Angled pads also available, please contact the factory.



## DOSSERT®

### TYPE DPLS

#### Copper Short Barrel Terminal

#### Ordering Information

CATALOG NUMBER	CABLE SIZE	FIG. NO.	DIMENSIONS IN INCHES								DIE INDEX
			A	B	C	H	L	T	X	Y	
DPLS2-18	6 Str.	2	7/16	13/16	1/2	7/32	1 13/32	5/64	7/32	-	7
DPLS2-1	6 Str.	2	7/16	13/16	11/16	9/32	1 19/32	5/64	5/16	-	7
DPLS2-31	6 Str.	2	19/32	13/16	3/4	11/32	1 21/32	3/64	11/32	-	7
DPLS2-38	6 Str.	2	19/32	13/16	13/16	13/32	1 23/32	3/64	3/8	-	7
DPLS2-2	6 Str.	1	7/16	13/16	1 5/16	9/32	2 7/32	5/64	5/16	5/8	7
DPLS4-18	4 Str.	2	1/2	13/16	1/2	7/32	1 1/2	3/32	7/32	-	8
DPLS4-1	4 Str.	2	1/2	13/16	11/16	9/32	1 11/16	3/32	5/16	-	8
DPLS4-31	4 Str.	2	19/32	13/16	3/4	11/32	1 3/4	1/16	11/32	-	8
DPLS4-38	4 Str.	2	19/32	13/16	13/16	13/32	1 13/16	1/16	3/8	-	8
DPLS4-2	4 Str.	1	1/2	13/16	1 5/16	9/32	2 5/16	3/32	5/16	5/8	8
DPLS6-25	2 Str.	2	5/8	7/8	11/16	9/32	1 25/32	3/32	5/16	-	10
DPLS6-1	2 Str.	2	5/8	7/8	3/4	11/32	1 27/32	3/32	11/32	-	10
DPLS6-38	2 Str.	2	5/8	7/8	13/16	13/32	1 29/32	3/32	3/8	-	10
DPLS6-2	2 Str.	1	5/8	7/8	1 1/2	11/32	2 19/32	3/32	11/32	3/4	10
DPLS6-2N	2 Str.	1	13/16	7/8	3 1/16	9/16	4 3/8	5/64	5/8	1 3/4	10
DPLS8-25	1 Str.	2	11/16	7/8	3/4	9/32	1 29/32	3/32	11/32	-	11
DPLS8-1	1 Str.	2	11/16	7/8	3/4	11/32	1 29/32	3/32	11/32	-	11
DPLS8-38	1 Str.	2	11/16	7/8	13/16	13/32	1 31/32	3/32	3/8	-	11
DPLS8-2	1 Str.	1	11/16	7/8	1 5/8	11/32	2 25/32	3/32	11/32	7/8	11
DPLS10-25	1/0 Str.	2	3/4	7/8	11/16	9/32	1 13/16	7/64	5/16	-	12
DPLS10-1	1/0 Str.	2	3/4	7/8	3/4	11/32	1 7/8	7/64	11/32	-	12
DPLS10-38	1/0 Str.	2	3/4	7/8	13/16	13/32	1 15/16	7/64	3/8	-	12
DPLS10-50	1/0 Str.	2	3/4	7/8	1 1/16	17/32	2 3/16	3/32	1/2	-	12
DPLS10-2	1/0 Str.	1	13/16	7/8	1 5/8	11/32	2 3/4	7/64	11/32	7/8	12
DPLS10-2N	1/0 Str.	1	13/16	7/8	3 1/16	9/16	4 3/16	3/32	5/8	1 3/4	12
DPLS10-2-31	1/0 Str.	1	13/16	7/8	1 15/16	11/32	2 15/16	3/32	3/8	1	12
DPLS13-25	2/0 Str.	2	13/16	15/16	11/16	9/32	1 31/32	1/8	5/16	-	13
DPLS13-31	2/0 Str.	2	13/16	15/16	3/4	11/32	2 1/32	1/8	11/32	-	13
DPLS13-1	2/0 Str.	2	13/16	15/16	13/16	13/32	2 3/32	1/8	3/8	-	13
DPLS13-50	2/0 Str.	2	13/16	15/16	1 1/16	17/32	2 11/32	1/8	1/2	-	13
DPLS13-2	2/0 Str.	1	13/16	15/16	1 5/8	11/32	2 29/32	1/8	11/32	7/8	13
DPLS13-2N	2/0 Str.	1	13/16	15/16	3 1/16	9/16	4 11/32	1/8	5/8	1 3/4	13
DPLS17-25	3/0 Str.	2	29/32	1	11/16	9/32	2	9/64	5/16	-	14
DPLS17-31	3/0 Str.	2	29/32	1	3/4	11/32	2 1/16	9/64	11/32	-	14
DPLS17-38	3/0 Str.	2	29/32	1	13/16	13/32	2 1/8	9/64	3/8	-	14
DPLS17-1	3/0 Str.	2	29/32	1	1 1/16	17/32	2 3/8	9/64	1/2	-	14
DPLS17-2N	3/0 Str.	1	29/32	1	3 1/16	9/16	4 3/8	9/64	5/8	1 3/4	14
DPLS17-2	3/0 Str.	1	29/32	1	1 13/16	13/32	3 9/32	9/64	3/8	1	14
DPLS21-25	4/0 Str.	2	1	1	11/16	9/32	2 1/32	9/64	5/16	-	15
DPLS21-31	4/0 Str.	2	1	1	3/4	11/32	2 3/32	9/64	11/32	-	15
DPLS21-38	4/0 Str.	2	1	1	13/16	13/32	2 5/32	9/64	3/8	-	15
DPLS21-1	4/0 Str.	2	1	1	1 1/16	17/32	2 13/32	9/64	1/2	-	15
DPLS21-2	4/0 Str.	1	1	1	1 13/16	7/16	3 3/32	9/64	3/8	1	15
DPLS21-2N	4/0 Str.	1	1	1	3 1/16	9/16	4 13/32	9/64	5/8	1 3/4	15
DPLS21-2-31	4/0 Str.	1	1	1	2 1/8	11/32	3 3/8	9/64	9/16	1	15
DPLS25-25	250 MCM	2	1 3/32	1 1/16	11/16	9/32	2 1/8	5/32	5/16	-	16
DPLS25-31	250 MCM	2	1 3/32	1 1/16	3/4	11/32	2 3/16	5/32	11/32	-	16
DPLS25-38	250 MCM	2	1 3/32	1 1/16	13/16	13/32	2 1/4	5/32	3/8	-	16
DPLS25-1	250 MCM	2	1 3/32	1 1/16	1 1/16	17/32	2 1/2	5/32	1/2	-	16
DPLS25-2	250 MCM	1	1 3/32	1 1/16	1 7/8	7/16	3 5/16	5/32	3/8	1 1/16	16
DPLS25-2N	250 MCM	1	1 3/32	1 1/16	3 1/16	9/16	4 1/2	5/32	5/8	1 3/4	16
DPLS30-31	300 MCM	2	1 3/16	1 1/16	3/4	3/8	2 7/32	5/32	11/32	-	17
DPLS30-38	300 MCM	2	1 3/16	1 1/16	13/16	7/16	2 9/32	5/32	3/8	-	17
DPLS30-1	300 MCM	2	1 3/16	1 1/16	1 1/8	9/16	2 19/32	5/32	17/32	-	17
DPLS30-62	300 MCM	2	1 3/16	1 1/16	2	11/16	3 15/32	5/32	15/16	-	17
DPLS30-2	300 MCM	1	1 3/16	1 1/16	1 7/8	7/16	3 11/32	5/32	3/8	1 1/16	17
DPLS30-2N	300 MCM	1	1 3/16	1 1/16	3 1/16	9/16	4 17/32	5/32	5/8	1 3/4	17
DPLS35-1	350 MCM	2	1 9/32	1 1/8	1 1/8	9/16	2 11/16	11/64	17/32	-	18
DPLS35-62	350 MCM	2	1 9/32	1 1/8	2	11/16	3 9/16	11/64	15/16	-	18
DPLS35-2	350 MCM	1	1 9/32	1 1/8	1 7/8	7/16	3 7/16	11/64	3/8	1 1/16	18
DPLS35-2N	350 MCM	1	1 9/32	1 1/8	3 1/16	9/16	4 5/8	11/64	5/8	1 3/4	18
DPLS40-50	400 MCM	2	1 3/8	1 3/16	1 1/8	9/16	2 3/4	3/16	17/32	-	19

## DOSSERT®

### TYPE DPLS

Copper Short Barrel Terminal

#### Ordering Information

CATALOG NUMBER	CABLE SIZE	FIG. NO.	DIMENSIONS IN INCHES								DIE INDEX
			A	B	C	H	L	T	X	Y	
DPLS40-1	400 MCM	2	1 3/8	1 3/16	1 3/8	11/16	3	3/16	21/32	-	19
DPLS40-2	400 MCM	1	1 3/8	1 3/16	2	7/16	3 5/8	3/16	7/16	1 1/16	19
DPLS40-2N	400 MCM	1	1 3/8	1 3/16	3 1/16	9/16	4 11/16	3/16	5/8	1 3/4	19
DPLS50-50	500 MCM	2	1 17/32	1 3/8	1 3/16	9/16	3 3/16	7/32	5/8	-	20
DPLS50-1	500 MCM	2	1 17/32	1 3/8	1 3/8	11/16	3 3/8	7/32	21/32	-	20
DPLS50-2	500 MCM	1	1 17/32	1 3/8	2	7/16	4	7/32	7/16	1 1/16	20
DPLS50-2N	500 MCM	1	1 17/32	1 3/8	3 1/16	9/16	5 1/16	7/32	5/8	1 3/4	20
DPLS60-1	600 MCM	2	1 11/16	1 3/8	1 3/4	11/16	3 3/4	17/64	7/8	-	22
DPLS60-2	600 MCM	1	1 11/16	1 3/8	2	9/16	4	17/64	7/16	1 1/16	22
DPLS60-2N	600 MCM	1	1 11/16	1 3/8	3 1/16	7/16	5 1/16	17/64	5/8	1 3/4	22
DPLS75-1	750 MCM	2	1 7/8	1 5/8	1 7/8	11/16	4 1/8	17/64	7/8	-	24
DPLS75-2N	750 MCM	1	1 7/8	1 5/8	3 1/8	9/16	5 3/8	17/64	5/8	1 3/4	24
DPLS80-1	800 MCM	2	1 7/8	1 5/8	2	11/16	4 1/2	9/32	15/16	-	25
DPLS80-2N	800 MCM	1	1 7/8	1 5/8	3 1/8	9/16	5 5/8	9/32	5/8	1 3/4	25
DPLS100-1	1000 MCM	2	2 5/32	1 7/8	2	11/16	4 15/16	21/64	15/16	-	27
DPLS100-2N	1000 MCM	1	2 5/32	1 7/8	3 1/8	9/16	6 1/16	21/64	5/8	1 3/4	27
DPLS100-4	1000 MCM	3	2 5/32	1 7/8	2 1/4	7/16	5 3/16	21/64	1/2	1 1/8	27
DPLS150-1	1500 MCM	2	2 11/16	2	2 3/8	11/16	6 5/16	25/64	1 1/8	-	31
DPLS150-2	1500 MCM	1	2 11/16	2	2 5/8	9/16	7 1/16	25/64	9/16	1 3/8	31
DPLS150-2N	1500 MCM	1	2 11/16	2	3 1/8	9/16	6 9/16	25/64	5/8	1 3/4	31
DPLS150-4	1500 MCM	3	2 11/16	2	2 5/8	9/16	6 9/16	25/64	9/16	1 3/8	31
DPLS200-1	2000 MCM	2	3 5/64	2 1/4	2 1/2	13/16	6 1/2	15/32	1 13/16	-	34
DPLS200-2N	2000 MCM	1	3 5/64	2 1/4	3 1/8	9/16	7 1/8	15/32	5/8	1 3/4	34
DPLS200-4	2000 MCM	3	3 5/64	2 1/4	2 3/4	9/16	6 3/4	15/32	9/16	1 1/2	34
DPLS200-4N	2000 MCM	3	3 5/64	2 1/4	3 1/8	9/16	7 1/8	15/32	5/8	1 3/4	34

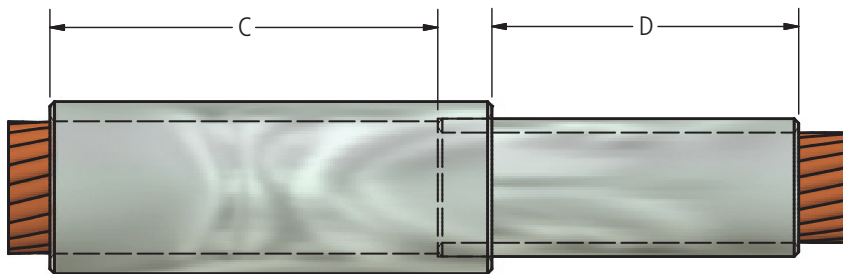
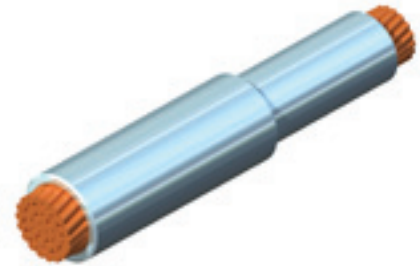
For information on installation tools refer to pages 246 and 247.

**DOSSERT<sup>®</sup>****TYPE DPR****Copper Reducing Coupler**

A Seamless reducing coupler for splicing two different sized cables end-to-end. The larger cable is inserted first and stops against the center of the connector where the small diameter portion begins. This insures that both conductors are at the proper depth before crimping. Entrance chamfers are provided to aid in cable insertion. Accepting a wide range of cable diameters, connectors are stamped with full catalog numbers and conductor sizes for quick identification.

**Material**

Tin plated copper alloy



## DOSSERT® TYPE DPR Copper Reducing Coupler

### Ordering Information

CATALOG NUMBER	CABLE SIZE		DIMENSIONS IN INCHES	
	RUN	TAP	C	D
DPR4-2	4 Str.	6 Str.	1 1/8	1 1/4
DPR6-2	2 Str.	6 Str.	1 1/4	1 1/8
DPR6-4	2 Str.	4 Str.	1 1/4	1 1/8
DPR10-2	1/0 Str.	6 Str.	1 3/8	1 1/8
DPR10-4	1/0 Str.	4 Str.	1 3/8	1 1/8
DPR10-6	1/0 Str.	2 Str.	1 3/8	1 1/8
DPR13-2	2/0 Str.	6 Str.	1 1/2	1 1/8
DPR13-4	2/0 Str.	4 Str.	1 1/2	1 1/8
DPR13-6	2/0 Str.	2 Str.	1 1/2	1 1/4
DPR13-10	2/0 Str.	1/0 Str.	1 1/2	1 3/8
DPR21-2	4/0 Str.	6 Str.	1 5/8	1 1/8
DPR21-4	4/0 Str.	4 Str.	1 5/8	1 1/8
DPR21-6	4/0 Str.	2 Str.	1 5/8	1 1/4
DPR21-10	4/0 Str.	1/0 Str.	1 5/8	1 3/8
DPR21-13	4/0 Str.	2/0 Str.	1 5/8	1 1/2
DPR25-4	250 MCM	4 Str.	1 5/8	1 1/8
DPR25-6	250 MCM	2 Str.	1 5/8	1 1/4
DPR25-10	250 MCM	1/0 Str.	1 5/8	1 3/8
DPR25-13	250 MCM	2/0 Str.	1 5/8	1 1/2
DPR25-21	250 MCM	4/0 Str.	1 5/8	1 5/8
DPR35-6	350 MCM	2 Str.	2	1 1/4
DPR35-10	350 MCM	1/0 Str.	2	1 3/8
DPR35-13	350 MCM	2/0 Str.	2	1 1/2
DPR35-21	350 MCM	4/0 Str.	2	1 5/8
DPR35-25	350 MCM	250 MCM	2	1 5/8
DPR50-10	500 MCM	1/0 Str.	2 1/4	1 3/8
DPR50-13	500 MCM	2/0 Str.	2 1/4	1 1/2
DPR50-21	500 MCM	4/0 Str.	2 1/4	1 5/8
DPR50-25	500 MCM	250 MCM	2 1/4	1 5/8
DPR50-35	500 MCM	350 MCM	2 1/4	2
DPR75-13	750 MCM	2/0 Str.	2 7/8	1 1/2
DPR75-21	750 MCM	4/0 Str.	2 7/8	1 5/8
DPR75-25	750 MCM	250 MCM	2 7/8	1 5/8
DPR7-5.35	750 MCM	350 MCM	2 7/8	2
DPR75-50	750 MCM	500 MCM	2 7/8	2 1/4
DPR100-21	1000 MCM	4/0 Str.	3	1 5/8
DPR100-25	1000 MCM	250 MCM	3	1 5/8
DPR100-35	1000 MCM	350 MCM	3	2
DPR100-50	1000 MCM	500 MCM	3	2 1/4
DPR100-75	1000 MCM	750 MCM	3	2 7/8
DPR150-25	1500 MCM	250 MCM	3 1/4	1 5/8
DPR150-35	1500 MCM	350 MCM	3 1/4	2
DPR150-50	1500 MCM	500 MCM	3 1/4	2 1/4
DPR150-75	1500 MCM	750 MCM	3 1/4	2 7/8
DPR150-100	1500 MCM	1000 MCM	3 1/4	3

For information on installation tools refer to pages 246 and 247.

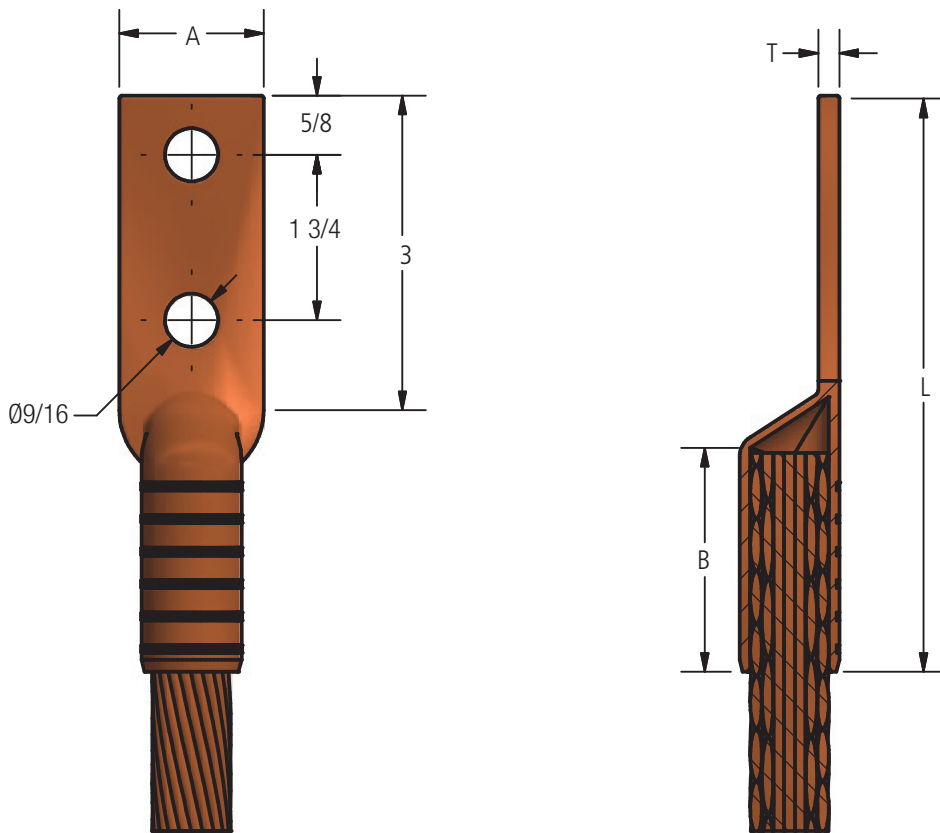
### DOSSERT® TYPE LCA Compression Terminal Lug

#### Material

Pure Copper Tubing

#### Note

- Barrel lined with Silicom Carbide Powder. For a tin plating add suffix 'SN' to catalog number. Available with solder sealing add suffix 'MT' to catalog number.
- For a 3/0 STR cable with a 2 hole terminal pad, tin plated use LCA17-2N-SN.



### Ordering Information

CATALOG NUMBER	CABLE SIZE	DIMENSIONS IN INCHES			
		A	B	L	T
LCA10-2N	1/0 STR	7/8	1 9/16	5 1/4	7/32
LCA13-2N	2/0 STR	1	1 9/16	5 1/4	1/4
LCA17-2N	3/0 STR	1 1/16	1 9/16	5 3/8	5/16
LCA21-2N	4/0 STR	1 7/32	1 9/16	5 3/8	5/16
LCA25-2N	250 MCM	1 5/16	1 3/4	5 3/8	11/32
LCA30-2N	300 MCM	1 7/16	1 3/4	5 1/2	3/8
LCA35-2N	350 MCM	1 19/32	2 3/4	6 1/2	7/16

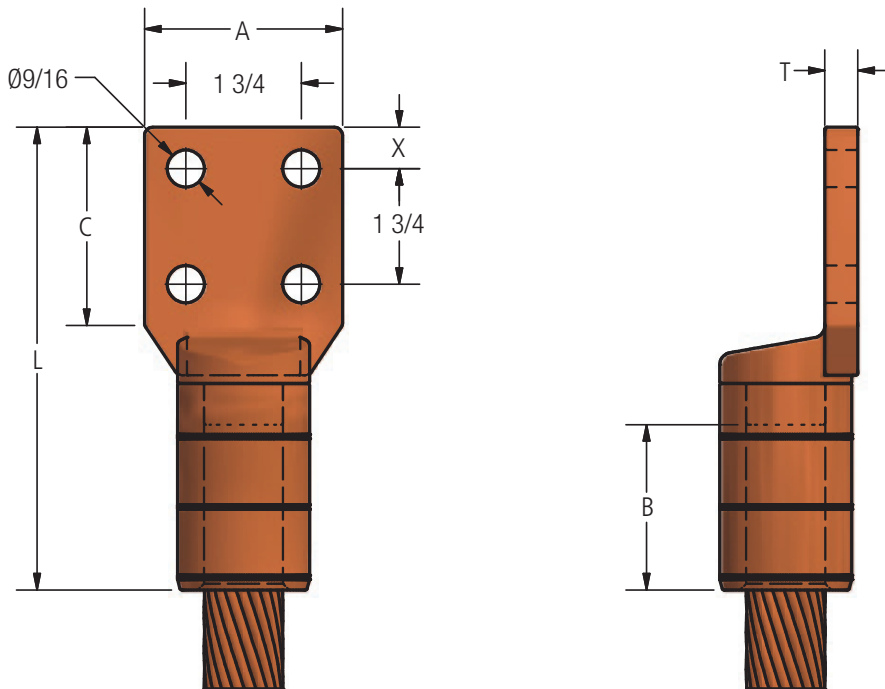
### DOSSERT® TYPE LCAE-N Compression Terminal Lug

#### Material

Copper Alloy

#### Note

- Barrel lined with Silicon Carbide Powder.
- For Tin plating finish add suffix "-SN" to catalog number. Ex: LCAE10-4N-SN



### Ordering Information

CATALOG NUMBER	CABLE SIZE	DIMENSIONS IN INCHES					
		A	B	C	L	T	X
LCAE10-4N	1/0 STR	3	1 9/16	3	5 1/4	3/16	5/8
LCAE13-4N	2/0 STR	3	1 9/16	3	5 1/4	1/4	5/8
LCAE17-4N	3/0 STR	3	1 9/16	3	5 3/8	1/4	5/8
LCAE21-4N	4/0 STR	3	1 9/16	3	5 3/8	1/4	5/8
LCAE25-4N	250 MCM	3	1 3/4	3	5 3/8	5/16	5/8
LCAE30-4N	300 MCM	3	1 3/4	3	5 3/4	5/16	5/8
LCAE30-4N4	300 MCM	4	1 3/4	4	6 3/4	5/16	1 1/8

## DOSSERT® INSTALLATION TOOL REFERENCES

The following tool references list a number of existing tools which can be used to install all connectors listed in catalog whose tabular listing is foot-noted to refer to pages 246 and 247. For any given cable size, irrespective of connector type, the proper tool and dies (if required) can be quickly selected.

### AMP TOOLS

#### TOOL AND DIE NUMBERS

(Bold Type Indicators Tool and Light Type Indicates Dies)

Between Vertical Lines Can Be Found The Desired Tool and Accompanying Die (or Dies) Where Required.

CABLE SIZE												
6 STR.	69010	38923	69015	48172	69012	37207	69020	48127	48128	69025	48127	48128
4 Str.	69015	48173	69020	48127	48129	69025	48127	48129	—	—	—	—
2 Str.	69015	48174	69020	48127	48130	69025	48127	48130	—	—	—	—
1 & 1/0 Str.	69015	48183	69020	48131	48132	69025	48131	48132	—	—	—	—
2/0 Str.	69020	48131	48133	69025	48131	48133	—	—	—	—	—	—
3/0 Str.	69020	48131	48134	69025	48131	48134	—	—	—	—	—	—
4/0 Str.	69020	48131	300430	69025	48131	48135	—	—	—	—	—	—

### BURNDY TOOLS

#### TOOL AND DIE NUMBERS

(Bold Type Indicators Tool and Light Type Indicates Dies)

Between Vertical Lines Can Be Found The Desired Tool and Accompanying Die (or Dies) Where Required.

CABLE SIZE																	
6 STR.	MY29;	Y34A	A6CD	Y34PR	Y34B	B6CD	Y34PR	—	—	—	—	—	—	—	—	—	
4 Str.	MY29;	Y34A	A4CD	Y34PR	Y34B	B4CD	Y34PR	—	—	—	—	—	—	—	—	—	
3 Str.	MY29;	Y34A	A3CD	Y34PR	Y34B	B3CD	Y34PR	—	—	—	—	—	—	—	—	—	
2 Str.	MY29;	Y34A	A2CD	Y34PR	Y34B	B2CD	Y34PR	—	—	—	—	—	—	—	—	—	
1 Str.	MY29;	Y34A	A1CD	Y34PR	Y34B	B1CD	Y34PR	—	—	—	—	—	—	—	—	—	
1/0 Str.	MY29;	Y34A	A25D	Y34PR	Y34B	B25D	Y34PR	Y44B	E25D	Y44PR	—	—	—	—	—	—	
2/0 Str.	MY29;	Y34A	A26D	Y34PR	Y34B	B26D	Y34PR	Y44B	E26D	Y44PR	—	—	—	—	—	—	
3/0 Str.	MY29;	Y34A	A27D	Y34PR	Y34B	B27D	Y34PR	Y44B	E27D	Y44PR	—	—	—	—	—	—	
4/0 Str.	MY29T;	MY29-3;	Y34A	A28D	Y34PR	Y34B	B28D	Y34PR	Y44B	E28D	Y44PR	Y48B	C28D	Y48PR	Y486RB	F28D	Y48PR
250 MCM	MY29;	MY29-3;	Y34A	A29D	Y34PR	Y34B	B29D	Y34PR	Y44B	E29D	Y44PR	Y48B	C29D	Y48PR	Y486RB	F29D	Y48PR
300 MCM	Y34A	A30D	Y34PR	Y34B	B30D	Y34PR	Y44B	E30D	Y44PR	Y48B	C30D	Y48PR	Y486RB	F30D	Y48PR	—	—
350MCM	Y34A	A31D	Y34PR	Y34B	B31D	Y34PR	Y44B	E31D	Y44PR	Y48B	C31D	Y48PR	Y486RB	F31D	Y48PR	—	—
400 MCM	Y34A	A32D	Y34PR	Y34B	B32D	Y34PR	Y44B	E32D	Y44PR	Y48B	C32D	Y48PR	Y486RB	F32D	Y48PR	—	—
450 MCM	Y34A	A33D	Y34PR	Y34B	B33D	Y34PR	Y44B	E33D	Y44PR	Y48B	C33D	Y48PR	Y486RB	F33D	Y48PR	—	—
500 MCM	Y34A	A34D	Y34PR	Y34B	—	Y48PR	Y44B	E34D	Y44PR	Y48B	C34D	Y48PR	Y486RB	F34D	Y48PR	—	—
550 MCM	Y44B	E35D	Y44PR	Y48B	C35D	Y48PR	Y486RB	F35D	Y48PR	—	—	—	—	—	—	—	—
600 MCM	Y44B	E36D	Y44PR	Y48B	C36D	Y48PR	Y486RB	F36D	Y48PR	—	—	—	—	—	—	—	—
650 MCM	Y44B	E37D	Y44PR	Y48B	C37D	Y48PR	Y486RB	F37D	Y48PR	—	—	—	—	—	—	—	—
700 MCM	Y44B	E38D	Y44PR	Y48B	C38D	Y48PR	—	—	—	—	—	—	—	—	—	—	—
750 MCM	Y44B	E39D	Y44PR	Y48B	C39D	Y48PR	Y486RB	F39D	Y48PR	—	—	—	—	—	—	—	—
800 MCM	Y44B	E40D	Y44PR	Y48B	C40D	Y48PR	Y486RB	F40D	Y48PR	—	—	—	—	—	—	—	—
850 MCM	Y44B	E41D	Y44PR	Y48B	C41D	Y48PR	Y486RB	F41D	Y48PR	—	—	—	—	—	—	—	—
1000 MCM	Y44B	—	Y44PR	Y48B	C44D	Y48PR	Y486RB	F44D	Y48PR	—	—	—	—	—	—	—	—
1250 MCM	Y48B	C45D	Y48PR	Y486RB	F45D	Y48PR	—	—	—	—	—	—	—	—	—	—	—
1300 MCM	Y48B	C453D	Y48PR	Y486RB	F453D	Y48PR	—	—	—	—	—	—	—	—	—	—	—
1500 MCM	Y48B	C46D	Y48PR	Y486RB	F46D	Y48PR	—	—	—	—	—	—	—	—	—	—	—
1750 MCM	Y48B	C47D	Y48PR	Y486RB	F47D	Y48PR	—	—	—	—	—	—	—	—	—	—	—
2000 MCM	Y48B	C48D	Y48PR	Y486RB	F48D	Y48PR	—	—	—	—	—	—	—	—	—	—	—

**DOSSERT®  
INSTALLATION TOOL REFERENCES**

**T & B TOOLS**

**TOOL AND DIE NUMBERS**

(Bold Type Indicators Tool and Light Type Indicates Dies)

Between Vertical Lines Can Be Found The Desired Tool and Accompanying Die (or Dies) Where Required.

<b>CABLE SIZE</b>					
6 STR.	WT115;	WT149;	21072;	21073;	11031
4 Str.	WT115;	WT149;	21072;	21073;	11031
2 Str.	WT127G2;	21073;	11031;	11015,	21019
1 Str.	WT127G;	21073;	11031;	11015,	21019
1/0 Str.	WT127H;	21073;	11031;	11015,	21019
2/0 Str.	WT127J;	21073;	11031;	11015,	21019
3/0 Str.	WT127K;	21073;	11031;	11015,	21019
4/0 Str.	WT127L;	21073;	11031;	11015,	21019
250 MCM	WT127M;	21073;	11031;	11015,	21019

