

ACDelco®

Disc Rotors

Catalogue: Issue 2



1800 ACDelco
acdelco.com.au

Suits Most Makes Most Models

ACDelco®



Disc Rotors

warranty

ACDelco Disc Rotor warranty policy is applicable for 12 months or 20,000 km from date of fitment whichever comes first.

This parts warranty covers only repairs and / or replacements caused by defects in material and / or workmanship.

The exceptions to this are:

- / Parts that have been subject to deliberate abuse.
- / Conditions resulting from normal wear, negligence, alterations or accidents.
- / Parts used in an incorrect application or parts that are not used for their intended purpose.

WARRANTY CONDITIONS

This warranty does not cover:

- / Loss of the time, inconveniences, loss of use or any other consequential damages.
- / Labour for removal from and replacement in the unit / vehicle unless prior written approval is obtained from ACDelco.

DISCLAIMER

Certain information in this catalogue has been compiled from data published by Original Equipment Manufacturers and other parties. ACDelco is unable to warrant the accuracy of third party data, and does not accept responsibility for loss or damage of any kind caused as a result of such data being inaccurate.

COPYRIGHT STATEMENT

No part of this publication may be reproduced, stored in any retrieval system or transmitted in any form or by any means, including but not limited to electronic, mechanical, photocopying, recording or otherwise, without the prior written permission of ACDelco. This includes all texts, illustrations, tables and charts.



Disc Rotors Catalogue

issue 2 - contents

WARRANTY

Disc Rotors Warranty	1
----------------------	---

PRODUCT DETAILS

About ACDelco Disc Rotors	3
ACDelco Disc Rotor Features & Benefits	4

HELPFUL HINTS

Brake Diagnosis Guide	5
Disc Rotor Work Shop Guide	7
Disc Rotor Minimum Thickness	8
Disc Rotor Replacement Tips	9
Installation Of A New Disc Rotor	10

APPLICATION LISTING

Abbreviations	20
---------------	----

NUMERICAL LISTING

Numerical References	21
----------------------	----

CROSS REFERENCES

DBA - ACDelco	29
PBR - ACDelco	30

OTHER REFERENCES

Disc Rotor Dimensions & Specifications	31
ACDelco Durastop Brake Pads	34



About ACDelco disc rotors

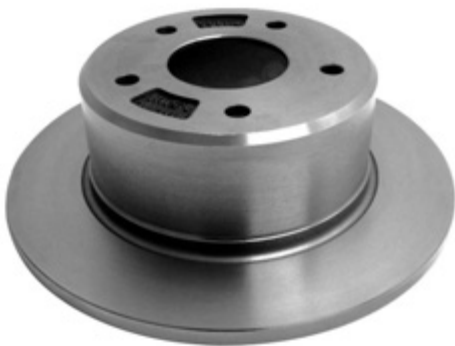
ACDelco Disc Rotors are engineered to Original Equipment design criteria and manufactured to the demanding TS 16949 quality standard in QS9000 rated facility.

A focus on high quality casting materials, tight machining tolerances and key design features, ensure that ACDelco Disc Rotors deliver high levels of replacement brake performance.

All ACDelco Disc Rotors are balanced to ensure optimum performance on initial fitment during the machining process.

ACDelco Disc Rotors are engineered to minimise brake shudder, improve thermal efficiency and reduce brake noise.

All ACDelco Disc Rotors carry a 12 month / 20,000 km national warranty.





Disc Rotors

features & benefits

HIGH CARBON, GREY IRON COMPOSITION

- / Low noise propensity.
- / High resistance to cracking and fade.

OPTIMISED ROTOR DESIGN

- / Reduce rotor coning under high temperature.

ADVANCED VENTILATION

- / Optimal cooling behaviour without increased mass.
- / Resistance to thermal judder.
- / Low transient and permanent deformation.

PRECISE MACHINING TOLERANCES

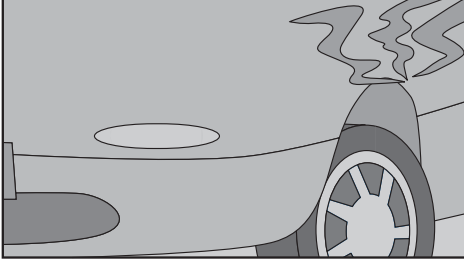
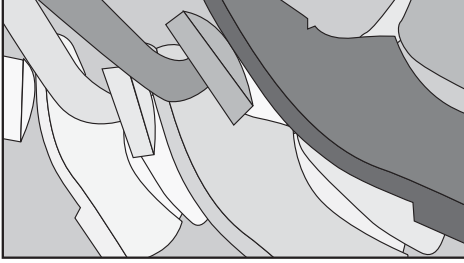
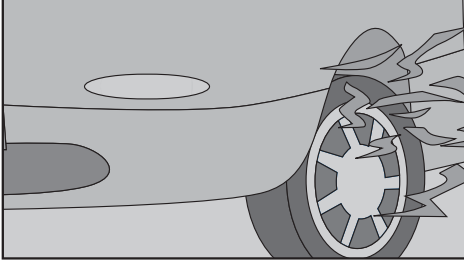
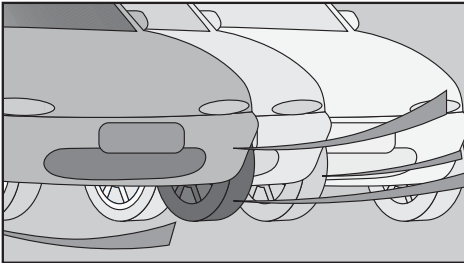
- / Extremely low brake shudder.
- / Extremely low DTV (Disc Thickness Variation).
- / Very low levels of LRO (Lateral Runout).

All this provides you with a high level of disc rotor performance.



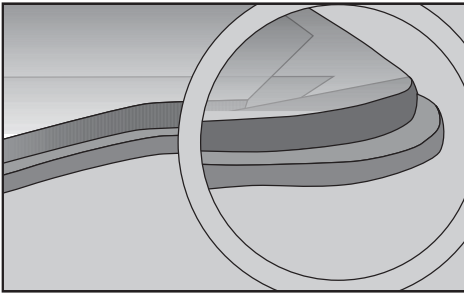
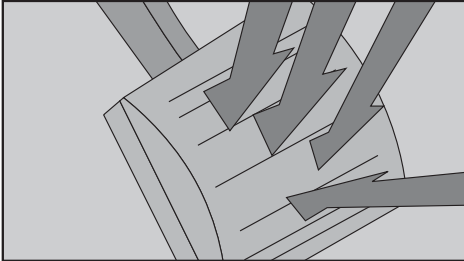
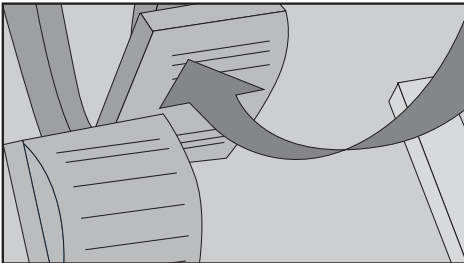

Brake Diagnosis

helpful hints

Probable Cause	Problem Description	Remedy
<ol style="list-style-type: none"> 1. Brakes adjusted too tight. 2. Master cylinder by-pass port blocked. 3. Weak pedal return spring. 4. Distorted backing plates. 5. Sticky wheel cylinder. 	<p style="text-align: center;">Brake Drag</p> <p style="text-align: center;"><i>Brakes seem to stick and not release properly.</i></p> 	<ol style="list-style-type: none"> 1. Readjust and allow sufficient clearance between linings and drum. 2. Clear blockage. 3. Install new springs. 4. Replace with new plates. 5. Repair with new cups.
<ol style="list-style-type: none"> 1. Contamination of pads or linings with brake fluid, oil, grease etc. 2. Calipers not aligned with disc. 3. Mounting bolts loose. 4. Brake lines, hoses kinked, collapsed or clogged. 5. Caliper pistons or slides seized. 	<p style="text-align: center;">Brake Grab</p> <p style="text-align: center;"><i>Brakes seem "touchy" and feel as if they grab too easily even when little pressure is applied to the pedal.</i></p> 	<ol style="list-style-type: none"> 1. Clean or replace pads or linings. 2. Correct alignment. 3. Tighten to specified torque. 4. Repair or replace. 5. Free up and replace if damaged.
<ol style="list-style-type: none"> 1. Too much lateral run out of rotor. 2. Worn pads or linings. 3. Twisted brake shoe. 4. Weak or broken spring components. 5. Drums out of round. 6. Loose wheel bearing. 7. Foreign particles embedded in material. 8. Faulty caliper alignment. 	<p style="text-align: center;">Brake Noise</p> <p style="text-align: center;"><i>Excessive squeal, screech, groaning, grinding, chatter or rattle means the brakes need attention. Brakes should operate with a minimal amount of noise.</i></p> 	<ol style="list-style-type: none"> 1. Correct run out to manufacturers specifications. 2. Replace with new pads or linings. 3. Replace brake shoes. 4. Replace with new springs. 5. Turn or replace drums. 6. Adjust or replace faulty parts. 7. Replace with new pads or linings. 8. Readjust.
<ol style="list-style-type: none"> 1. Contamination of pads or linings with brake fluid, oil, grease etc. 2. Unmatched pads or linings. 3. Faulty caliper pad alignment 4. Unequal brake adjustment. 5. Seized Caliper. 	<p style="text-align: center;">Brake Pull</p> <p style="text-align: center;"><i>Car pulls to one side when you apply the brakes.</i></p> 	<ol style="list-style-type: none"> 1. Clean or replace pads or linings. 2. Replace with correct parts. 3. Check for loose caliper mounting bolts, guide pins, broken clips. 4. Readjust all brakes. 5. Overhaul both calipers (i.e., pin and seal kits) on that axle.

Brake Diagnosis

helpful hints (continued)

Probable Cause	Problem Description	Remedy
<ol style="list-style-type: none"> Wrong type of pad or lining material for operating conditions. Caliper pistons and/or pins seized. Extremely rough rotor surface. 	<p style="text-align: center;">Brake Wear</p> <p style="text-align: center;"><i>Faults in the brake system can cause premature wear.</i></p> 	<ol style="list-style-type: none"> Replace with correct pad or lining material for application. Fit pin and seal kits. Replace or regrind rotors. Brakes should be checked at least once a year to avoid costly repairs.
<ol style="list-style-type: none"> Worn / glazed pads or linings. Frozen calipers or wheel cylinders. Brake booster failure. 	<p style="text-align: center;">High Pedal Force</p> <p style="text-align: center;"><i>Brakes do not react properly creating an excessive stopping distance even when extra force is applied to the pedal.</i></p> 	<ol style="list-style-type: none"> Replace with new pads or linings. Free up and replace if necessary. Inspect booster assembly and repair as required.
<ol style="list-style-type: none"> No fluid in master cylinder. Excessive free play in brake pedal linkage. Pad "knock back". Excessive clearances between linings and drums. Contaminated fluid. Residual line pressure valve faulty. Air in hydraulic system. 	<p style="text-align: center;">Low/Spongy Pedal Feel</p> <p style="text-align: center;"><i>Pedal nearly touches floor before brakes work. No brake reserve.</i></p> 	<ol style="list-style-type: none"> Check system for fluid leak and repair. Adjust for proper linkage. Examine rotor run out and parallelism, bearing adjustment, etc. Adjust brakes, Replace with approved brake fluid. Check/replace. Bleed brake system.
<ol style="list-style-type: none"> Rotor run out and parallelism. Wear in steering and suspension components. Wheels out of balance. 	<p style="text-align: center;">Vibration</p> <p style="text-align: center;"><i>Brake pedal, steering wheel or entire wheel shakes, vibrates or pulsates when brakes are applied.</i></p> 	<ol style="list-style-type: none"> Replace or resurface disc brake rotors. Examine and replace worn components. Wheel balance required.

Disc Rotor

workshop guide

ABOUT DISC THICKNESS VARIATION OR DTV & TESTING

WHAT IS DTV?

Disc thickness variation (DTV) is where the rotor or disc varies in thickness as measured in the diagram.

WHAT DOES IT CAUSE?

As the disc rotates through the caliper the variation in disc thickness results in a variation in braking pressure applied by the disc pads to the rotor. This variation in braking effort is translated to vibration that can be felt through the vehicle. (e.g. pedal pulsing, steering shimmy, floor pan vibration).

HOW DOES IT OCCUR?

Uneven wear of the rotor during service. This means DTV often does not become apparent until 10,000 to 15,000 kms after disc machining or replacement. Poorly serviced calipers can accelerate the occurrence of DTV.

HOW DO YOU MEASURE IT?

Measure the thickness of the rotor 25mm in front of the outer edge using a vernier caliper. This measurement should be taken at a minimum of 10 points around the circumference. There should be no greater than 0.1mm variance in any of the measurements.

HOW DO YOU FIX IT?

Replace the rotor. Overhaul calipers and ensure slide pins move freely and piston seals are in good condition.

TESTING & BEDDING-IN

Road test the vehicle to ensure correct brake function.

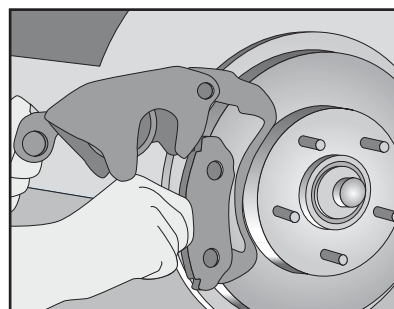
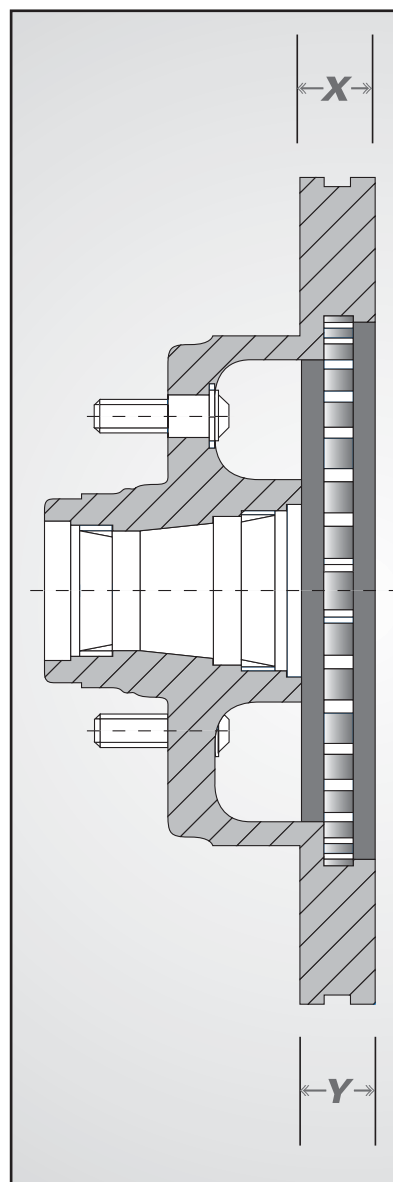
Note: With new brake pads fitted proper pad "break in" is critical:

Any time you perform a brake job, you should follow the manufacturer's recommended break in procedure.

As a guide (in a safe and controlled environment):

- Accelerate to 50 km/h.
- Apply the brakes using moderate to firm pedal effort, reducing speed to 5 km/h.
- Drive 200-300m accelerating to 50 km/h.
- Repeat 8 to 10 times.

Noting that excessive heating or hard use when new will cause brake pad glazing and will prevent proper break-in.





Disc Rotor minimum thickness

As with all safety related components which are subject to high rates of wear, disc rotors have a maximum safe life. The maximum life of a disc rotor is achieved when it reaches what we call the "minimum thickness".

Disc brake rotor minimum thickness (RMT) is the minimum safe working thickness of a rotor.

When a disc rotor reaches RMT it must be replaced. Choosing to ignore RMT is a safety risk. Continued use of disc rotors below RMT can lead to brake system failure.

The vehicle manufacturer during initial vehicle design determines RMT. Some aspects that are considered when determining RMT are:

HEAT ABSORPTION & DISSIPATION

A brake systems function is to take in kinetic energy and transfer it into thermal energy. The driver creates this energy when he puts his foot on the brake pedal. The driver's foot force is boosted then converted into hydraulic pressure, which forces the piston to move inside the caliper. This piston movement forces the brake pads in contact with the spinning rotor. Friction between the brake pads and the disc rotor generates heat, which is dissipated by convection to the atmosphere.

As rotor thickness reduces, so does its ability to absorb and dissipate heat generated during braking. Once RMT has been reached the rotors ability to absorb and dissipate heat is reduced to such an extent that a significant reduction in braking capacity can result. This can be evident in premature fade and increased stopping distance.

CALIPER PISTON RETENTION

As disc rotor and pad thickness reduces the caliper piston moves further out inside the caliper body. When RMT is reached with fully worn pads the pistons may lack support within the caliper bore. This can cause it to jam in the bore causing brake drag or lock.

Brake drag will cause excessive heat build up and possible fluid vaporisation. This will lead to system failure and increased stopping distance.

BRAKE PAD RETENTION

Fully worn brake pads and RMT can allow in some caliper designs, for the pad backing plate to jam between the caliper anchor bracket and disc rotor. This will cause either brake drag or wheel lock up. Both concerns can result in vehicle instability.

BRAKE FLUID RETENTION

It is also possible, under certain conditions when brake pads are fully worn and RMT is reached, for the caliper piston to cease forming a hydraulic seal. This will cause leakage, hydraulic system failure and increased stopping distance.

ACDelco recommends that disc rotors are measured as part of every brake service and replaced before they reach the specified "minimum thickness".

Disc Rotor replacement tips

The disc rotor is a very critical safety component. Regular wear checks are essential during the vehicle servicing. Always follow the vehicle manufacturer's service inspection guide lines.

Disc rotor thickness should not be less than the minimum thickness as cast or stamped into each rotor.

If there is uneven wear on both sides of the disc rotor this can indicate incorrect caliper installation, and the condition of the caliper should be checked before refitting.

Disc rotors should always be replaced in axle pairs, as mismatched rotors may affect vehicle handling characteristics during braking.

It is important to fit new brake pads to give the expected brake performance.

Full braking efficiency may not occur during excessive or high speed braking until the disc rotor and pads are bedded in - approximately 200-300 km from new.

ACDelco recommend new bearings, together with new high temperature bearing grease and new seals to obtain satisfactory operational smoothness and bearing life.

REMOVAL OF USED ROTOR

ACDelco recommends the use of appropriate safety equipment (safety glasses, gloves, etc.) when performing any brake servicing. The vehicle manufacturer's procedures should always be followed. As a guide:

1. Remove wheel nuts and wheel.
2. Remove the caliper anchor bolts. Pull the caliper away from the disc rotor. There is usually no need to disconnect the brake line but do not allow the full weight of the caliper to be supported by the brake line.
3. Remove grease cap.
4. Remove the split pin, castle nut, washer, inner bearing cap, and bearing. Remove the used disc rotor assembly. (refer fig 1 or fig 2 as appropriate)

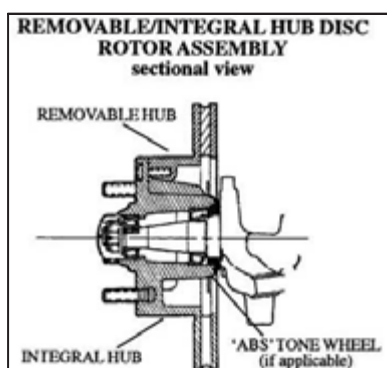


Figure 1

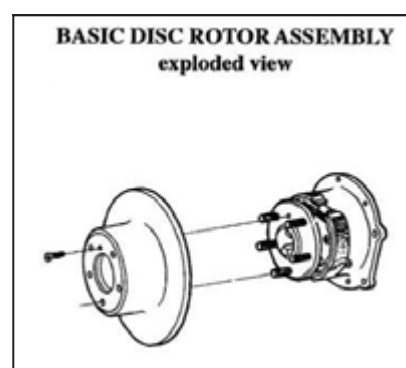


Figure 2

Note: When removing and refitting rotors on ABS equipped vehicles, take care to prevent the pole ring striking the tip of the wheel speed sensor. The wheel speed sensor may be damaged causing a fault to be logged in the ABS system.

5. If it is a removable hub type rotor, remove the hub from the disc rotor.

ABS PRECAUTIONS

On ABS equipped vehicles ensure the rotor supplied has the same number of teeth on the pole ring as the rotor you have removed. Many new rotors don't come with pole rings, so it is important to carefully transfer the pole ring from the old rotors or fit new ones. Ensure the pole ring runout is within the manufacturer's specification after refitting.

Note: Fitting rotors with different numbers of teeth on the pole rings may cause a fault in the ABS system.

Installation of a new disc rotor

Compare the disc rotors to the ones that have been removed to ensure they are correct. Some vehicles manufacturers make running changes to their braking systems, or the vehicle may have been modified, so they may have different size rotors fitted.

If the rotor is a removable hub type, clean the hub surface on which the rotor will be mounted. The assembly surface must be free from rust, flat and free from burrs. When tightening the hub bolts on this type of rotor ensure the bolts are tightened to the manufacturers recommended torque using the correct pattern. Over tightening of these bolts by using an impact gun will distort the new rotor, causing runout and in some cases the rotor will fracture.

The faces of the new rotor have a protective coating applied. Before installation clean; bearing caps, wheel stud thread, all machined surfaces and ABS pole ring (if applicable). Also ensure the hub is thoroughly clean before installation. It is recommended to use an acetone or trichloroethylene based solvent. Using petrol or other type products is not recommended as they will leave a residue of oil or wax affecting the braking performance.

Note: These cleaning fluids are usually highly flammable and harmful if vapours are inhaled for prolonged periods. Manufacturer's warnings should be strictly adhered to.

The vehicle manufacturer's procedures should always be followed. As a guide:

1. Install hub assembly into disc rotor using thread lock compound on bolts if required.
2. Grease inner bearing race and fit to hub. Insert new inner bearing cap. Insert new grease seal.
3. Assemble the disc rotor assembly onto the stub axle.
4. If required install greased outer bearing assembly, washer and castle nut respectively. While rotating the rotor, tighten the castle nut to 30Nm to seat the bearings. Loosen the castle nut ½ turn then re-tighten to the vehicle manufacturer's specification.

Note: If the castle nut is too tight, rotor drag will be too high and bearings will wear excessively. If the castle nut is too loose, rotor will have high runout, bad pedal feel and possibly a knocking noise.

5. Insert split pin into position and bend back the pin to lock the castle nut.
6. Install grease cap if required.
7. Runout test must be carried out and should not exceed 0.10mm. If runout exceeds this specification, remove the rotor from the hub rotate it to a different position and reinstall. If used bearings are used, runout specification may not be achievable depending on wear (refer fig 3).

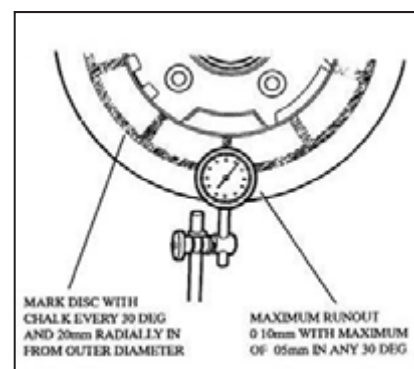


Figure 3



Installation

of a new disc rotor (continued)

8. Replace pads. Make room for the new pads by pushing the pistons down into the cylinder (taking care to push the piston into the bore squarely, and not to damage the piston or dust boots). This will cause the level of fluid in the master cylinder reservoir to rise. Anticipate this by siphoning out excess fluid using a clean hydrometer or syringe. If the vehicle is fitted with ABS, open the bleeder screw on the caliper and clamp off the brake hose before pushing the piston back.

9. Install caliper assembly ensuring anchor bolts are tightened to the correct specification.

Note: Inspect the calipers for correct operation. Sticking or binding calipers will cause the rotors to overheat and distort.

10. Refit wheels and tighten wheel nuts to the manufacturer's recommended torque using the correct pattern

Note: Proper wheel nut torque cannot be stressed enough! Improper wheel nut torque will cause rotor deflection, this will cause, over time (approx 3,000 to 5,000 kms), disc thickness variation resulting in noise and brake pedal pulsation. Deflection may not manifest itself until mileage has accumulated on the vehicle. Always use a calibrated torque wrench and look up the proper wheel nut torque specification for the vehicle on which you are working.

11. After fitting the new rotor, the brake pedal will need to be pumped several times to bring the disc pads into contact with the rotor.

Note: If the brake pedal is pushed to the floor on a vehicle where the master cylinder has not been overhauled or replaced, the seals may be damaged from the dirt or scale that builds up at the end of the bore. To prevent damage to the master cylinder, only push the brake pedal to its normal travel distance when pumping the pedal after fitting new rotors.

12. It may be necessary to bleed the hydraulic system if the pedal is too low or feels spongy.

13. Road test the vehicle to ensure correct brake function.

Note: With new brake pads fitted proper pad "break in" is critical:

Any time you perform a brake job, you should follow the manufacturer's recommended break in procedure. As a guide (in a safe and controlled environment):

- Accelerate to 50 km/h.
- Apply the brakes using moderate to firm pedal effort, reducing speed to 5 km/h.
- Drive 200-300m accelerating to 50 km/h.
- Repeat 8 to 10 times.

Noting that excessive heating or hard use when new will cause brake pad glazing and will prevent proper break-in.



Disc Rotor application listing

BMW		YEAR	AXLE	PART NO.	TYPE
3 SERIES					
316I		03/1995 - 05/2001	REAR	ACDR983	Solid
318IS	E36	03/1991 - 10/1999	FRONT	ACDR979	Vented
			REAR	ACDR983	Solid
318I	E46	09/1998 - 02/2003	FRONT	ACDR979	Vented
	E36, E46	04/1991 - 02/2003	REAR	ACDR983	Solid
318TI		04/1999 - 02/2003	FRONT	ACDR979	Vented
			REAR	ACDR983	Solid
320I	E36, E46	04/1991 - 02/2003	FRONT	ACDR979	Vented
	E36	04/1991 - 08/1998	REAR	ACDR983	Solid
323I		01/1996 - 10/2000	FRONT	ACDR979	Vented
325I	E36	01/1992 - 05/1995	FRONT	ACDR979	Vented
			REAR	ACDR983	Solid
328I	E36	06/1995 - 09/2000	FRONT	ACDR979	Vented
	CABRIO, SEDAN, E36	06/1995 - 09/2000	REAR	ACDR983	Solid
Z3					
Z3	2.2 LITRE, 2.8 LITRE	01/1997 - 12/2002	FRONT	ACDR979	Vented
Z4					
	2.5 LITRE(24Valve)	07/2003 - 03/2006	FRONT	ACDR979	Vented
DAEWOO					
		YEAR	AXLE	PART NO.	TYPE
1.5i					
1.5i		07/1994 - 10/1995	FRONT	ACDR820	Solid
CIELO					
CIELO	13" WHEEL	10/1995 - 04/1998	FRONT	ACDR021	Vented
	14" WHEEL	10/1995 - 04/1998	FRONT	ACDR023	Vented
ESPERO					
ESPERO	13" WHEEL	03/1995 - 07/1997	FRONT	ACDR021	Vented
	14" WHEEL	03/1995 - 07/1997	FRONT	ACDR023	Vented
KALOS					
T200		04/2003 - 12/2004	FRONT	ACDR2032	Vented
LANOS					
LANOS	1.4/1.5 LITRE, SOHC, 13" WHEEL	08/1997 - 12/2000	FRONT	ACDR021	Vented
	1.5/1.6 LITRE, DOHC, 14" WHEEL	08/1997 - 12/2000	FRONT	ACDR023	Vented
NUBIRA					
NUBIRA		06/1997 - 05/2003	FRONT	ACDR894	Vented
FORD					
		YEAR	AXLE	PART NO.	TYPE
CAPRI (SOFT TOP)					
SA/SC/SE	SOFT TOP, NON TURBO	10/1989 - 07/1994	FRONT	ACDR930	Vented
CORSAIR					
UA	HATCHBACK, SEDAN	11/1989 - 12/1992	FRONT	ACDR617	Vented
COURIER					
2.0 LITRE	COMMERCIAL, 4X2	06/1985 - 02/1992	FRONT	ACDR631	Vented
2.2 LITRE	COMMERCIAL, 4X2	06/1985 - 04/1996	FRONT	ACDR631	Vented
2.6 LITRE	COMMERCIAL, 4X2	10/1991 - 05/1996	FRONT	ACDR631	Vented
ECONOVAN / MAXI					
1.8 LITRE	STD BODY	04/1984 - 09/1985	FRONT	ACDR631	Vented
2.0 LITRE	LONG BODY, STD BODY, VAN, 4X2	04/1984 - 05/1992	FRONT	ACDR631	Vented
2.2 LITRE	LONG BODY, STD BODY	03/1984 - 12/1991	FRONT	ACDR631	Vented
ESCAPE					
BA		02/2001 - 03/2003	FRONT	ACDR957	Vented
ZA		04/2003 - 01/2004	FRONT	ACDR957	Vented
EXPLORER					
XL/XLT/LTD	ALL MODELS	10/1996 - 06/1999	REAR	ACDR861	Solid
UQ		06/1999 - 01/2000	REAR	ACDR861	Solid
US		01/2000 - 10/2001	REAR	ACDR861	Solid
FAIRLANE / LTD					
ZG	SEDAN, DISC/DISC	07/1973 - 06/1979	FRONT	ACDR107	Vented
ZH	SEDAN	05/1976 - 04/1979	FRONT	ACDR107	Vented
ZJ	DISC/DISC, DISC/DRUM	05/1979 - 02/1982	FRONT	ACDR107	Vented
FC	SEDAN	06/1979 - 02/1982	FRONT	ACDR107	Vented
ZK	SEDAN	03/1982 - 09/1984	FRONT	ACDR107	Vented
			REAR	ACDR109	Vented
FD	SEDAN	03/1982 - 09/1984	FRONT	ACDR107	Vented
FE	SEDAN	10/1984 - 02/1988	FRONT	ACDR107	Vented
			REAR	ACDR109	Vented
ZL	SEDAN	10/1984 - 05/1988	FRONT	ACDR107	Vented
			REAR	ACDR109	Vented
DA	SEDAN, NON-ABS	03/1988 - 06/1991	FRONT	ACDR110B	Vented
	SEDAN	03/1988 - 06/1991	REAR	ACDR111B	Solid
NA	SEDAN	06/1988 - 06/1991	FRONT	ACDR110B	Vented

FORD (Continued)		YEAR	AXLE	PART NO.	TYPE
FAIRLANE / LTD (Continued)					
NA	15 mm ROTOR	06/1988 - 06/1991	REAR	ACDR111A	Solid
	SEDAN, 13 mm ROTOR	06/1988 - 06/1991	REAR	ACDR111B	Solid
DC	NON-ABS	07/1991 - 05/1992	FRONT	ACDR110B	Vented
	SEDAN, ABS	05/1992 - 02/1995	FRONT	ACDR130	Vented
	ABS, NON-ABS	07/1991 - 02/1995	REAR	ACDR111B	Solid
NC	NON-ABS	07/1991 - 05/1992	FRONT	ACDR110B	Vented
	SEDAN, ABS	05/1992 - 03/1995	FRONT	ACDR130	Vented
	ABS, NON-ABS	07/1991 - 03/1995	REAR	ACDR111B	Solid
NF	SEDAN, ABS	03/1995 - 08/1996	FRONT	ACDR132	Vented
	SEDAN	03/1995 - 08/1996	REAR	ACDR133	Solid
DF	SEDAN, ABS	03/1995 - 08/1996	FRONT	ACDR132	Vented
	SEDAN	03/1995 - 08/1996	REAR	ACDR133	Solid
NL		09/1996 - 02/1999	FRONT	ACDR132	Vented
			REAR	ACDR133	Solid
DL		09/1996 - 06/1999	FRONT	ACDR132	Vented
			REAR	ACDR133	Solid
NU	SEDAN, ALL MODELS	09/1998 - 04/2000	FRONT	ACDR500	Vented
		04/2000 - 06/2001	FRONT	ACDR502	Vented
	SEDAN, ALL MODELS 10.5mm ROTOR	09/1998 - 04/2000	REAR	ACDR501	Solid
	SEDAN, ALL MODELS 16mm ROTOR	04/2000 - 06/2001	REAR	ACDR503	Solid
DU	SEDAN, ALL MODELS	09/1998 - 04/2000	FRONT	ACDR500	Vented
		04/2000 - 06/2001	FRONT	ACDR502	Vented
		09/1998 - 04/2000	REAR	ACDR501	Solid
		04/2000 - 06/2001	REAR	ACDR503	Solid
BF	6 CYLINDER	10/2005 -	FRONT	ACDR504	Vented
			REAR	ACDR505	Solid
BF	V8	10/2005 -	FRONT	ACDR2107	Vented
			REAR	ACDR2108	Solid
FALCON					
XB	DISC/DISC, DISC/DRUM	10/1975 - 07/1976	FRONT	ACDR107	Vented
XC	DISC/DISC, DISC/DRUM	08/1976 - 02/1979	FRONT	ACDR107	Vented
XD	DISC/DISC, DISC/DRUM, ALL MODELS	03/1979 - 02/1982	FRONT	ACDR107	Vented
XE	DISC/DISC, DISC/DRUM	03/1982 - 09/1984	FRONT	ACDR107	Vented
	ALL MODELS	03/1982 - 09/1984	REAR	ACDR109	Vented
XF (& UTE)	DISC/DISC, DISC/DRUM	10/1984 - 02/1993	FRONT	ACDR107	Vented
	SEDAN, ST WAGON	10/1984 - 02/1993	REAR	ACDR109	Vented
EA	SEDAN, ST WAGON	03/1988 - 06/1991	FRONT	ACDR110B	Vented
	SEDAN, ST WAGON, 13 mm ROTOR	03/1988 - 06/1991	REAR	ACDR111B	Solid
	SEDAN, ST WAGON, 15 mm ROTOR	03/1988 - 06/1991	REAR	ACDR111A	Solid
EB	NON-ABS, ALL ENGINES	07/1991 - 07/1993	FRONT	ACDR110B	Vented
	ABS, ALL ENGINES	04/1992 - 07/1993	FRONT	ACDR130	Vented
	ABS, NON-ABS, 13 mm ROTOR	07/1991 - 07/1993	REAR	ACDR111B	Solid
ED	NON-ABS, ALL ENGINES	08/1993 - 07/1994	FRONT	ACDR110B	Vented
	ABS, ALL ENGINES	08/1993 - 07/1994	FRONT	ACDR130	Vented
	ABS, NON-ABS, 13 mm ROTOR	08/1993 - 07/1994	REAR	ACDR111B	Solid
EF	NON-ABS	08/1994 - 09/1996	FRONT	ACDR131	Vented
	ABS, XR6 MODEL, XR8 MODEL	08/1994 - 09/1996	FRONT	ACDR132	Vented
	ABS, NON-ABS	08/1994 - 07/1996	REAR	ACDR133	Solid
EL	NON-ABS	09/1996 - 08/1998	FRONT	ACDR131	Vented
	ABS	09/1996 - 08/1998	FRONT	ACDR132	Vented
		09/1996 - 08/1998	REAR	ACDR133	Solid
AU	SEDAN, ST WAGON, ALL MODELS 24mm ROTOR	09/1998 - 04/2000	FRONT	ACDR500	Vented
	SEDAN, ST WAGON, ALL MODELS 28mm ROTOR	04/2000 - 09/2002	FRONT	ACDR502	Vented
	SEDAN, ST WAGON, ALL MODELS 10.5mm ROTOR	09/1998 - 04/2000	REAR	ACDR501	Solid
	SEDAN, ST WAGON, ALL MODELS 16mm ROTOR	04/2000 - 09/2002	REAR	ACDR503	Solid
BA		09/2002 - 09/2005	FRONT	ACDR504	Vented
	SEDAN, ST WAGON, UTE	09/2002 - 09/2005	REAR	ACDR505	Solid
BF	6 CYLINDER, EXCEPT XR6	10/2005 -	FRONT	ACDR504	Vented
			REAR	ACDR505	Solid
BF	V8, XR6	10/2005 -	FRONT	ACDR2107	Vented
			REAR	ACDR2108	Solid
XG (UTE/VAN)	P/VAN, UTE	03/1993 - 03/1996	FRONT	ACDR107	Vented
			REAR	ACDR111B	Solid
XH (UTE/VAN)		04/1996 - 06/1999	FRONT	ACDR132	Vented
			REAR	ACDR111B	Solid
FESTIVA					
WB	MAN TRANS	04/1994 - 12/1996	FRONT	ACDR530	Vented
	AUTO TRANS	04/1994 - 12/1996	FRONT	ACDR532	Vented
WD	MAN TRANS	01/1997 - 12/1997	FRONT	ACDR530	Vented
	AUTO TRANS	01/1997 - 12/1997	FRONT	ACDR532	Vented
WF	MAN TRANS	01/1998 - 12/2000	FRONT	ACDR530	Vented
	AUTO TRANS	01/1998 - 12/2000	FRONT	ACDR532	Vented
LASER					
KA	HATCHBACK, DISC/DRUM	03/1981 - 03/1983	FRONT	ACDR100	Solid
KB	HATCHBACK, DISC/DRUM	03/1983 - 10/1985	FRONT	ACDR100	Solid
KC	DISC/DISC, DISC/DRUM	10/1985 - 10/1987	FRONT	ACDR930	Vented
KE	DISC/DISC, DISC/DRUM, NON TURBO	10/1987 - 10/1990	FRONT	ACDR930	Vented
KF	1.6 LITRE, 3 SPEED AUTO TRANS, 4 SPEED AUTO TRANS	03/1990 - 08/1991	FRONT	ACDR532	Vented
	1.6 LITRE, 5 SPEED MAN TRANS	03/1990 - 09/1991	FRONT	ACDR530	Vented
	SOHC, 1.8 LITRE	03/1990 - 09/1991	FRONT	ACDR532	Vented
	DOHC, NON TURBO, TURBO, 1.8 LITRE	03/1990 - 09/1991	FRONT	ACDR533	Vented
KH	SOHC, 1.8 LITRE	10/1991 - 09/1994	FRONT	ACDR532	Vented
	1.6 LITRE, 5 SPEED MAN TRANS	10/1991 - 10/1994	FRONT	ACDR530	Vented
	1.6 LITRE, 3 SPEED AUTO TRANS, 4 SPEED AUTO TRANS	10/1991 - 10/1994	FRONT	ACDR532	Vented
	DOHC, NON TURBO, TURBO, 1.8 LITRE	10/1991 - 10/1994	FRONT	ACDR533	Vented

FORD (Continued)		YEAR	AXLE	PART NO.	TYPE
LASER (Continued)					
KJ	1.6 LITRE, 1.8 LITRE	10/1994 - 07/1995	FRONT	ACDR533	Vented
	EXCEPT 1.6 LITRE MAN TRANS	08/1995 - 03/1999	FRONT	ACDR533	Vented
KN	1.6 LITRE	03/1999 - 04/2001	FRONT	ACDR532	Vented
KQ	1.6 LITRE	04/2001 - 08/2002	FRONT	ACDR532	Vented
	2.0 LITRE	04/2001 - 08/2002	FRONT	ACDR950	Vented
MAVERICK					
Y60	ALL MODELS	02/1988 - 09/1993	FRONT	ACDR329	Vented
			REAR	ACDR622	Vented
METEOR					
GA	SEDAN	04/1982 - 05/1983	FRONT	ACDR100	Solid
GB	SEDAN	05/1983 - 09/1985	FRONT	ACDR100	Solid
GC	DISC/DISC, DISC/DRUM	10/1985 - 09/1987	FRONT	ACDR930	Vented
MONDEO					
HB/HC	DISC/DISC	07/1995 - 12/1998	FRONT	ACDR850	Vented
HD		01/1999 - 02/2000	FRONT	ACDR850	Vented
HE		02/2000 - 12/2000	FRONT	ACDR850	Vented
PROBE					
ST/SU	DISC/DISC	07/1994 - 02/1997	FRONT	ACDR950	Vented
SPECTRON					
	2.0 LITRE	03/1986 - 04/1990	FRONT	ACDR631	Vented
TELSTAR					
AT	DISC/DISC, ALL MODELS	10/1987 - 10/1989	FRONT	ACDR633	Vented
AV	DISC/DISC, ALL MODELS	01/1990 - 01/1992	FRONT	ACDR633	Vented
AX	HATCHBACK, SEDAN, ABS, DISC/DISC, NON-ABS	01/1992 - 08/1994	FRONT	ACDR950	Vented
AY	HATCHBACK, SEDAN, ABS, DISC/DISC, NON-ABS	08/1994 - 11/1996	FRONT	ACDR950	Vented
HOLDEN		YEAR	AXLE	PART NO.	TYPE
ADVENTRA					
VY		10/2003 - 09/2004	REAR	ACDR041	Solid
VZ		11/2004 - 03/2007	REAR	ACDR041	Solid
APOLLO					
JK		08/1989 - 07/1991	FRONT	ACDR730	Vented
JL		08/1991 - 02/1993	FRONT	ACDR730	Vented
JM	4 CYLINDER	03/1993 - 08/1995	FRONT	ACDR733	Vented
			REAR	ACDR736	Solid
JP	V6	03/1993 - 08/1995	FRONT	ACDR735	Vented
	SEDAN, V6	03/1993 - 07/1995	REAR	ACDR736	Solid
	4 CYLINDER	09/1995 - 05/1997	FRONT	ACDR733	Vented
	V6	09/1995 - 05/1997	FRONT	ACDR735	Vented
	SEDAN, V6, 4 CYLINDER	09/1995 - 05/1997	REAR	ACDR736	Solid
ASTRA					
LD	ALL MODELS	07/1987 - 07/1989	FRONT	ACDR603	Vented
TR	1.6 LITRE, CITY MODEL	09/1996 - 09/1998	FRONT	ACDR021	Vented
	1.8 LITRE, 2.0 LITRE	09/1996 - 09/1998	FRONT	ACDR023	Vented
	GL MODEL, GSI MODEL	09/1996 - 09/1998	REAR	ACDR819	Solid
TS	NON-ABS	09/1998 - 12/2005	FRONT	ACDR817	Vented
	ABS		REAR	ACDR818	Solid
AH	1.8 LITRE (280mm ROTOR)	11/2004 -	FRONT	ACDR815	Vented
	1.8, 1.9 & 2.2 LITRE (264mm ROTOR)		REAR	ACDR816	Solid
BARINA					
MF	HATCHBACK, DISC/DRUM	02/1989 - 09/1991	FRONT	ACDR022	Vented
MH	HATCHBACK, DISC/DRUM	10/1991 - 05/1994	FRONT	ACDR022	Vented
SB	UP TO S4999999, 1.2 LITRE, 1.4 LITRE, JOY MODEL, SWING MODEL	04/1994 - 11/1994	FRONT	ACDR820	Solid
	1.2 LITRE, CITY MODEL	04/1994 - 12/2000	FRONT	ACDR820	Solid
	1.6 LITRE, GSI MODEL	04/1994 - 12/2000	FRONT	ACDR822	Vented
	FROM T4000001, 1.4 LITRE, JOY MODEL, SWING MODEL	12/1994 - 12/2000	FRONT	ACDR021	Vented
XC		02/2001 - 02/2005	FRONT	ACDR841	Vented
			REAR	ACDR849	Solid
TK		12/2005 -	FRONT	ACDR2032	Vented
CALIBRA					
YE	COUPE, DISC/DISC	10/1991 - 07/1995	FRONT	ACDR023	Vented
		08/1995 - 07/1998	FRONT	ACDR023	Vented
CAMIRA					
JB	1.6 LITRE, ALL MODELS	08/1982 - 10/1984	FRONT	ACDR820	Solid
JD	1.6 LITRE, ALL MODELS	11/1984 - 03/1987	FRONT	ACDR820	Solid
	1.8 LITRE, ALL MODELS	11/1984 - 03/1987	FRONT	ACDR021	Vented
JE	2.0 LITRE, ALL MODELS	04/1987 - 07/1989	FRONT	ACDR021	Vented
COMBO					
SB	FROM T4000001, 1.4 LITRE	12/1994 - 12/1998	FRONT	ACDR021	Vented
XC	(260mm Rotor)	09/2002 - 09/2004	FRONT	ACDR847	Vented
COMMODORE					
VB	V8, 6 CYLINDER	11/1978 - 02/1980	FRONT	ACDR015	Vented
			REAR	ACDR016	Solid
VC	V8, 6 CYLINDER	03/1980 - 09/1981	FRONT	ACDR015	Vented
			REAR	ACDR016	Solid
VH	V8, 6 CYLINDER	10/1981 - 03/1984	FRONT	ACDR015	Vented
			REAR	ACDR016	Solid
VK	V8, 6 CYLINDER	03/1984 - 03/1986	FRONT	ACDR015	Vented
			REAR	ACDR016	Solid
VL	6 CYLINDER, NON TURBO, 14" WHEEL (271mm ROTOR)	03/1986 - 08/1988	FRONT	ACDR015	Vented
	V8, 6 CYLINDER, TURBO, 15" WHEEL (289mm ROTOR)	03/1986 - 08/1988	FRONT	ACDR017	Vented
	ALL MODELS	03/1986 - 08/1988	REAR	ACDR016	Solid
VN	V6, 14" WHEEL (271mm ROTOR)	08/1988 - 09/1991	FRONT	ACDR015	Vented

HOLDEN (Continued)		YEAR	AXLE	PART NO.	TYPE
COMMODORE (Continued)					
VN	V6, V8, FE2 SUSPENSION, 15" WHEEL	08/1988 - 09/1991	FRONT	ACDR017	Vented
	ALL MODELS	08/1988 - 09/1991	REAR	ACDR016	Solid
VP	NON-ABS, TO L569902 V6 (271mm ROTOR)	10/1991 - 05/1992	FRONT	ACDR015	Vented
	NON-ABS, FROM L569903 V6, 14" WHEEL (271mm ROTOR)	05/1992 - 09/1992	FRONT	ACDR025	Vented
	NON-ABS, TO L570556 V8 (289mm ROTOR)	10/1991 - 05/1992	FRONT	ACDR017	Vented
	ABS, NON-ABS, FROM L570557 V8, V6, 15" (289mm ROTOR)	05/1992 - 07/1993	FRONT	ACDR027	Vented
	W/O IRS	10/1991 - 07/1993	REAR	ACDR016	Solid
	IRS	10/1991 - 07/1993	REAR	ACDR026	Solid
VR	ALL MODELS	07/1993 - 04/1995	FRONT	ACDR035	Vented
	W/O IRS	07/1993 - 04/1995	REAR	ACDR016	Solid
	IRS	07/1993 - 04/1995	REAR	ACDR036	Solid
VS	V6, V8	04/1995 - 08/1997	FRONT	ACDR035	Vented
	W/O IRS	04/1995 - 08/1997	REAR	ACDR016	Solid
	IRS	04/1995 - 08/1997	REAR	ACDR036	Solid
VT		09/1997 - 04/2000	FRONT	ACDR040	Vented
			REAR	ACDR041	Solid
VX		10/2000 - 09/2002	FRONT	ACDR040	Vented
			REAR	ACDR041	Solid
VY		09/2002 - 07/2004	FRONT	ACDR040	Vented
			REAR	ACDR041	Solid
VZ		08/2004 - 07/2006	FRONT	ACDR040	Vented
			REAR	ACDR041	Solid
VE	V6	07/2006 -	FRONT	ACDR2026	Vented
			REAR	ACDR2027	Vented
	V8	07/2006 -	FRONT	ACDR2028	Vented
			REAR	ACDR2029	Vented
VG (UTE)	V6, 14" WHEEL (271mm ROTOR)	08/1990 - 01/1992	FRONT	ACDR015	Vented
	V6, V8, 15" WHEEL (289mm ROTOR)	08/1990 - 01/1992	FRONT	ACDR017	Vented
	V6, V8	08/1990 - 01/1992	REAR	ACDR016	Solid
VU (UTE)		12/2000 - 09/2002	FRONT	ACDR040	Vented
			REAR	ACDR041	Solid
CREWMAN					
VY		09/2003 - 07/2004	FRONT	ACDR040	Vented
			REAR	ACDR041	Solid
VZ	EXCEPT CROSS 6, EXCEPT SSZ	08/2004 - 12/2005	FRONT	ACDR040	Vented
		08/2004 - 12/2005	REAR	ACDR041	Solid
CREWMAN CROSS 8					
VY		12/2003 - 09/2004	REAR	ACDR041	Solid
VZ		11/2004 - 07/2006	REAR	ACDR041	Solid
HOLDEN					
HQ	DISC/DRUM, ALL MODELS	07/1971 - 09/1974	FRONT	ACDR014	Vented
HQ/HJ/HX (1 TON)	COMMERCIAL, DISC/DRUM	10/1974 - 09/1977	FRONT	ACDR014	Vented
HJ/HX/HZ	DISC/DISC, DISC/DRUM	10/1974 - 12/1980	FRONT	ACDR014	Vented
HZ (1 TON)	COMMERCIAL, DISC/DRUM	10/1977 - 12/1980	FRONT	ACDR014	Vented
WB (1 TON)	COMMERCIAL, DISC/DRUM	04/1980 - 12/1985	FRONT	ACDR014	Vented
WB (& STATESMAN)	DISC/DISC, DISC/DRUM	05/1980 - 07/1985	FRONT	ACDR014	Vented
JACKAROO					
UBS16	COMMERCIAL, 4X4	04/1987 - 12/1988	FRONT	ACDR033	Vented
UBS (2.6 4ZE1)	COMMERCIAL, PETROL, 4X4	07/1988 - 03/1992	FRONT	ACDR033	Vented
UBS (2.8 4JB1)	COMMERCIAL, TURBO, DIESEL, 4X4	07/1988 - 03/1992	FRONT	ACDR033	Vented
MONARO					
V2	CV6	12/2001 - 08/2003	FRONT	ACDR040	Vented
		12/2001 - 08/2003	REAR	ACDR041	Solid
	CV8	12/2001 - 09/2004	FRONT	ACDR040	Vented
		12/2001 - 09/2004	REAR	ACDR041	Solid
NOVA					
LE	1.4 LITRE, 1.6 LITRE	08/1989 - 08/1991	FRONT	ACDR701	Solid
LF	1.4 LITRE, 1.6 LITRE	08/1991 - 10/1994	FRONT	ACDR701	Solid
RODEO					
TF	COMMERCIAL, DISC/DRUM, EXCEPT V6, 4X2, 4X4	07/1988 - 02/2003	FRONT	ACDR033	Vented
STATESMAN / CAPRICE					
WB		05/1980 - 07/1985	FRONT	ACDR014	Vented
VQ	ABS, NON-ABS	03/1990 - 04/1992	FRONT	ACDR017	Vented
	NON-ABS	05/1992 - 02/1994	FRONT	ACDR025	Vented
	ABS	05/1992 - 02/1994	FRONT	ACDR027	Vented
	ABS, NON-ABS	03/1990 - 02/1994	REAR	ACDR026	Solid
VR (LONG BASE)	SEDAN, ABS	03/1994 - 04/1995	FRONT	ACDR035	Vented
	ABS, IRS	03/1994 - 04/1995	REAR	ACDR036	Solid
VS (LONG BASE)		04/1995 - 06/1999	FRONT	ACDR035	Vented
			REAR	ACDR036	Solid
WH		06/1999 - 04/2003	FRONT	ACDR040	Vented
			REAR	ACDR041	Solid
WK		05/2003 - 07/2004	FRONT	ACDR040	Vented
			REAR	ACDR041	Solid
WL		08/2004 - 07/2006	FRONT	ACDR040	Vented
			REAR	ACDR041	Solid
WM	V6	07/2006 -	FRONT	ACDR2026	Vented
			REAR	ACDR2027	Vented
	V8	07/2006 -	FRONT	ACDR2028	Vented
			REAR	ACDR2029	Vented
TORANA					
LX	A9X MODEL	01/1977 - 03/1978	FRONT	ACDR014	Vented
VECTRA					
JR		06/1997 - 08/1998	FRONT	ACDR825	Vented
			REAR	ACDR826	Solid

HOLDEN (Continued)		YEAR	AXLE	PART NO.	TYPE
VECTRA (Continued)					
JS		08/1998 - 12/2002	FRONT	ACDR825	Vented
			REAR	ACDR826	Solid
ZC	2.2 LITRE	03/2003 - 12/2006	FRONT	ACDR2820	Vented
			REAR	ACDR1065	Solid
	V6 upto 38047797 (302mm ROTOR)	03/2003 - 12/2006	FRONT	ACDR2817	Vented
	V6 from 38047798 (314mm ROTOR)	03/2003 - 12/2006	FRONT	ACDR2819	Vented
	V6	03/2003 - 12/2006	REAR	ACDR2818	Vented
ZAFIRA					
TT		06/2001 - 05/2006	FRONT	ACDR815	Vented
			REAR	ACDR816	Solid
HYUNDAI		YEAR	AXLE	PART NO.	TYPE
ACCENT					
LC		06/2000 - 08/2003	FRONT	ACDR450	Vented
COUPE					
COUPE	ALL MODELS	07/1996 - 08/1999	FRONT	ACDR453	Vented
EXCEL					
EXCEL	ALL ENGINES	02/1988 - 02/1998	FRONT	ACDR451	Vented
LANTRA					
LANTRA	ALL MODELS	05/1991 - 05/1998	FRONT	ACDR453	Vented
SPORTSWAGON		02/1996 - 05/1998	FRONT	ACDR453	Vented
S COUPE					
S COUPE	COUPE	07/1990 - 03/1996	FRONT	ACDR451	Vented
SONATA					
SONATA	ALL MODELS	03/1989 - 08/1998	FRONT	ACDR452	Vented
JEEP		YEAR	AXLE	PART NO.	TYPE
CHEROKEE					
CHEROKEE	4DR WAGON	04/1994 - 12/2000	FRONT	ACDR096	Vented
GRAND CHEROKEE					
ZG		03/1996 - 12/1998	FRONT	ACDR096	Vented
WJ		07/1999 - 10/2000	FRONT	ACDR540	Vented
WG		11/2000 - 03/2005	FRONT	ACDR540	Vented
MAZDA		YEAR	AXLE	PART NO.	TYPE
121					
DB	1.5 LITRE	10/1990 - 10/1996	FRONT	ACDR530	Vented
DW		10/1996 - 12/2002	FRONT	ACDR530	Vented
323					
BD (1.3LITRE)	HATCHBACK, SEDAN, DISC/DRUM, BD1031 MODEL	10/1980 - 05/1986	FRONT	ACDR100	Solid
BD (1.5LITRE)	HATCHBACK, SEDAN, DISC/DRUM, BD1051 MODEL	10/1980 - 10/1985	FRONT	ACDR100	Solid
BF	HATCHBACK, SEDAN, ST WAGON (1.6LITRE)	10/1985 - 08/1989	FRONT	ACDR930	Vented
BG	SEDAN, DISC/DISC (1.6LITRE)	10/1989 - 08/1994	FRONT	ACDR532	Vented
	SOHC (1.8LITRE)(& ASTINA)	10/1989 - 08/1994	FRONT	ACDR532	Vented
	DOHC (1.8LITRE)(& ASTINA)	10/1989 - 08/1994	FRONT	ACDR533	Vented
BA		07/1994 - 09/1998	FRONT	ACDR533	Vented
	1.6 LITRE, 1.8 LITRE (ASTINA)	07/1994 - 09/1998	FRONT	ACDR533	Vented
BJ		09/1998 - 12/2003	FRONT	ACDR532	Vented
	1.6 LITRE				
	2.0 LITRE	02/2001 - 12/2003	FRONT	ACDR950	Vented
3					
2.0 LITRE, EXCEPT SP23		01/2004 -	FRONT	ACDR2954	Vented
			REAR	ACDR2955	Solid
626					
2.0/2.2/ LITRE DIESEL ABS, NON-ABS, GD MODEL		10/1987 - 12/1991	FRONT	ACDR633	Vented
ESTATE WAGON (2.2LITRE)		06/1988 - 05/1997	FRONT	ACDR633	Vented
2.5 LITRE V6		01/1992 - 06/1997	FRONT	ACDR950	Vented
GE		01/1992 - 06/1997	FRONT	ACDR950	Vented
GF		07/1997 - 08/2002	FRONT	ACDR950	Vented
GW WAGON		01/1998 - 06/2002	FRONT	ACDR950	Vented
6					
		08/2002 -	FRONT	ACDR2950	Vented
			REAR	ACDR2951	Solid
GY WAGON		08/2002 -	REAR	ACDR2951	Solid
EUNOS					
30X		11/1993 - 12/1997	FRONT	ACDR533	Vented
500		04/1994 - 12/2000	FRONT	ACDR950	Vented
MX-5					
NA		08/1989 - 09/1993	FRONT	ACDR530	Vented
MX-6					
MX-6	COUPE, DISC/DISC	11/1991 - 09/1997	FRONT	ACDR950	Vented
MX-6 (TURBO)	COUPE, DISC/DISC	10/1987 - 10/1991	FRONT	ACDR633	Vented
PREMACY					
CP10	1.8 LITRE	02/2001 - 05/2002	FRONT	ACDR950	Vented
TRIBUTE					
JMOYU		01/2001 - 01/2004	FRONT	ACDR957	Vented
B SERIES					
B2000	COMMERCIAL	02/1985 - 12/1988	FRONT	ACDR631	Vented
B2200	COMMERCIAL	02/1985 - 03/1996	FRONT	ACDR631	Vented
B2600	COMMERCIAL, 4X2	03/1987 - 03/1996	FRONT	ACDR631	Vented
E SERIES					
E1800	STD BODY, VAN	02/1984 - 10/1986	FRONT	ACDR631	Vented
E2000	LONG BODY, STD BODY, VAN	01/1984 - 05/1992	FRONT	ACDR631	Vented
E2200	VAN	01/1984 - 05/1992	FRONT	ACDR631	Vented

MITSUBISHI		YEAR	AXLE	PART NO.	TYPE
EXPRESS					
SJ	2.0 LITRE, 2.5 LITRE	10/1994 - 10/2004	FRONT	ACDR230	Vented
GALANT					
HG	DISC/DISC, ALL CYLINDER, 4 CYLINDER, 2.0 LITRE, 4X4	05/1989 - 08/1990	FRONT	ACDR221	Vented
LANCER					
CC	SEDAN, ST WAGON, 1.5 LITRE, 1.8 LITRE	09/1992 - 07/1996	FRONT	ACDR413	Vented
	COUPE, 1.8 LITRE	10/1992 - 07/1996	FRONT	ACDR413	Vented
CE		07/1996 - 08/2002	FRONT	ACDR413	Vented
MAGNA / VERADA / 380					
TM	DISC/DISC, ALL MODELS	04/1985 - 05/1987	FRONT	ACDR221	Vented
	SEDAN	04/1985 - 05/1987	REAR	ACDR222	Solid
TN	DISC/DISC, ALL MODELS	04/1987 - 05/1989	FRONT	ACDR221	Vented
	SEDAN	04/1987 - 05/1989	REAR	ACDR222	Solid
TP	DISC/DISC, ALL MODELS	06/1989 - 04/1992	FRONT	ACDR221	Vented
	SEDAN	06/1989 - 03/1991	REAR	ACDR222	Solid
TR	4 CYLINDER	04/1991 - 03/1994	FRONT	ACDR421	Vented
	ABS, V6	04/1993 - 03/1994	FRONT	ACDR425	Vented
	SEDAN, ST WAGON	04/1991 - 03/1994	REAR	ACDR422	Solid
KR (VERADA)	NON-ABS, V6	07/1991 - 03/1994	REAR	ACDR422	Solid
TS	4 CYLINDER, 2.6 LITRE	03/1994 - 02/1997	FRONT	ACDR421	Vented
	NON-ABS	03/1994 - 02/1997	REAR	ACDR422	Solid
TE	V6, 4 CYLINDER	04/1996 - 06/1997	FRONT	ACDR425	Vented
			REAR	ACDR426	Solid
KE (VERADA)		10/1996 - 06/1997	FRONT	ACDR425	Vented
			REAR	ACDR426	Solid
KF (VERADA)		06/1997 - 03/1999	FRONT	ACDR425	Vented
			REAR	ACDR426	Solid
TF	2.4 LITRE, 3.0 LITRE	06/1997 - 03/1999	FRONT	ACDR425	Vented
	SEDAN, ST WAGON	06/1997 - 03/1999	REAR	ACDR426	Solid
TH		03/1999 - 09/2000	FRONT	ACDR425	Vented
			REAR	ACDR426	Solid
KJ (VERADA)	EXCEPT AWD	08/2000 - 05/2003	FRONT	ACDR425	Vented
			REAR	ACDR426	Solid
TJ	EXCEPT AWD	08/2000 - 05/2003	FRONT	ACDR425	Vented
			REAR	ACDR426	Solid
KL (VERADA)	EXCEPT AWD	06/2003 - 09/2004	FRONT	ACDR425	Vented
			REAR	ACDR426	Solid
TL	EXCEPT AWD	06/2003 - 09/2004	FRONT	ACDR425	Vented
			REAR	ACDR426	Solid
DB (380)		10/2005 -	FRONT	ACDR2206	Vented
			REAR	ACDR2207	Vented
MIRAGE					
CE		07/1996 - 08/2004	FRONT	ACDR413	Vented
STARWAGON					
SJ		10/1995 - 06/2001	FRONT	ACDR230	Vented
L300					
SF	COMMERCIAL	10/1986 - 08/1990	FRONT	ACDR230	Vented
SG	COMMERCIAL	09/1990 - 08/1991	FRONT	ACDR230	Vented
SH	COMMERCIAL	09/1991 - 09/1994	FRONT	ACDR230	Vented
NISSAN					
500 / 600 / 700 SERIES					
720	COMMERCIAL, 4X4	04/1983 - 12/1985	FRONT	ACDR621	Vented
BLUEBIRD					
U13	DISC/DISC	10/1993 - 12/1997	FRONT	ACDR903	Vented
NAVARA					
D22	KA24DE, KA24E, 4X2	02/1997 - 10/2001	FRONT	ACDR618	Vented
	DX MODEL, ST. MODEL	12/2001 - 10/2004	FRONT	ACDR618	Vented
KA24	COMMERCIAL, 4X2	06/1992 - 02/1997	FRONT	ACDR618	Vented
SD25/TD25/TD27	COMMERCIAL, SD25 MODEL, TD27 MODEL, 4X4	01/1986 - 02/1997	FRONT	ACDR621	Vented
VG30E (NAV/PATH)	COMMERCIAL, 4X2	05/1992 - 05/1995	FRONT	ACDR618	Vented
Z20/Z24	COMMERCIAL, 2.4 LITRE, 4X4	01/1986 - 05/1992	FRONT	ACDR621	Vented
Z24 (PATHFINDER)	COMMERCIAL, 2DR WAGON, 4X4	12/1986 - 09/1992	FRONT	ACDR621	Vented
PATROL					
160 (MQ)	COMMERCIAL, DISC/DRUM, NON TURBO, TURBO	01/1980 - 12/1987	FRONT	ACDR329	Vented
Y60 (GQ)	COMMERCIAL, CARB, 4X4	01/1988 - 12/1997	FRONT	ACDR329	Vented
	COMMERCIAL, 4X4	10/1991 - 03/1995	REAR	ACDR622	Vented
Y61 (GU11/111)	3.0 DIESEL	04/2000 - 09/2004	REAR	ACDR622	Vented
Y61 (GU)	EXCEPT 4.8 LITRE	10/1997 -	REAR	ACDR622	Vented
PINTARA					
R31	DISC/DISC	06/1986 - 12/1990	FRONT	ACDR615	Vented
U12	DISC/DISC, DISC/DRUM	11/1989 - 10/1992	FRONT	ACDR617	Vented
PULSAR					
KN13 (EXA)	1.6 LITRE	02/1987 - 12/1987	FRONT	ACDR603	Vented
N13	HATCHBACK, SEDAN	07/1987 - 09/1991	FRONT	ACDR603	Vented
KN13 (EXA)	1.8 LITRE	01/1988 - 10/1991	FRONT	ACDR628	Vented
N14	1.6 LITRE	10/1991 - 09/1995	FRONT	ACDR628	Vented
N15	1.6 LITRE	10/1995 - 12/2000	FRONT	ACDR899	Vented
N16	SEDAN	07/2000 - 08/2003	FRONT	ACDR617	Vented
SKYLINE					
R31	EXCEPT GTS MODEL	07/1986 - 12/1990	FRONT	ACDR615	Vented
URVAN					
E24	COMMERCIAL	03/1987 - 09/1993	FRONT	ACDR618	Vented
XFN					
XFN (UTE)	COMMERCIAL, UTE	07/1988 - 09/1991	FRONT	ACDR107	Vented
X-TRAIL					
T30		10/2001 - 11/2003	FRONT	ACDR573	Vented

PROTON		YEAR	AXLE	PART NO.	TYPE
PERSONA					
PERSONA	1.5 LITRE	11/1996 - 09/1998	FRONT	ACDR413	Vented
SATIRA					
SATIRA	GLI MODEL	02/1997 - 09/1999	FRONT	ACDR413	Vented
WIRA					
WIRA 1468CC	1.5 LITRE	05/1995 - 11/1996	FRONT	ACDR413	Vented
SAAB					
9-3					
9-3		06/1998 - 10/2002	FRONT	ACDR825	Vented
			REAR	ACDR826	Solid
SUBARU					
FORESTER					
FORESTER	ABS, NON-ABS	08/1997 - 07/2002	FRONT	ACDR648	Vented
	ABS	08/2002 - 06/2005	FRONT	ACDR650	Vented
IMPREZA					
IMPREZA	GX, RV & RX MODELS	10/2001 - 11/2002	FRONT	ACDR648	Vented
LIBERTY					
LIBERTY	2.0 LITRE, 2.5 LITRE	11/1996 - 10/2004	FRONT	ACDR648	Vented
LIBERTY B4		08/2001 - 08/2003	FRONT	ACDR650	Vented
OUTBACK					
OUTBACK		09/1996 - 06/2000	FRONT	ACDR648	Vented
OUTBACK H6		10/2002 - 08/2003	FRONT	ACDR650	Vented
		09/2003 - 07/2004	FRONT	ACDR648	Vented
WRX					
WRX	TURBO	02/1994 - 12/1998	FRONT	ACDR648	Vented
	STI MODEL	02/1999 - 09/2001	FRONT	ACDR650	Vented
SUZUKI					
SWIFT					
CINO	1.3 LITRE	05/1994 - 05/2000	FRONT	ACDR022	Vented
SF	SF310 MODEL	01/1989 - 12/1994	FRONT	ACDR022	Vented
TOYOTA					
AURION					
GSV40R		10/2006 -	FRONT	ACDR2709	Vented
			REAR	ACDR2707	Solid
AVALON					
MCX10		07/2000 - 02/2005	FRONT	ACDR735	Vented
BUNDERA					
RJ70/LJ70	COMMERCIAL	01/1985 - 12/1991	FRONT	ACDR154	Solid
CAMRY (& VIENTA)					
SV21	ALL MODELS	05/1987 - 02/1993	FRONT	ACDR730	Vented
SV20	DISC/DRUM	05/1987 - 08/1989	FRONT	ACDR730	Vented
SV22	SEDAN, ST WAGON	09/1989 - 02/1993	FRONT	ACDR730	Vented
SDV10		03/1993 - 08/1995	FRONT	ACDR733	Vented
	4 CYLINDER	03/1993 - 08/1995	REAR	ACDR736	Solid
VDV10	V6	03/1993 - 09/1995	FRONT	ACDR735	Vented
	SEDAN, V6	03/1993 - 09/1995	REAR	ACDR736	Solid
SXV10		04/1995 - 03/1998	FRONT	ACDR733	Vented
	SEDAN	04/1995 - 03/1998	REAR	ACDR736	Solid
VCV10		08/1995 - 08/1997	FRONT	ACDR735	Vented
	SEDAN	08/1995 - 08/1997	REAR	ACDR736	Solid
MCV20		08/1997 - 08/2002	FRONT	ACDR735	Vented
			REAR	ACDR736	Solid
SXV20		08/1997 - 08/2002	FRONT	ACDR733	Vented
			REAR	ACDR736	Solid
ACV36		09/2002 - 10/2004	FRONT	ACDR735	Vented
			REAR	ACDR736	Solid
MCV36		09/2002 - 10/2004	FRONT	ACDR735	Vented
			REAR	ACDR736	Solid
ACV40R		07/2006 -	FRONT	ACDR2709	Vented
			REAR	ACDR2707	Solid
COROLLA					
AE80	HATCHBACK, SEDAN	04/1985 - 05/1989	FRONT	ACDR701	Solid
AE82	SOHC	04/1985 - 05/1989	FRONT	ACDR701	Solid
AE90	HATCHBACK, SEDAN, 1.4 LITRE	06/1989 - 11/1992	FRONT	ACDR701	Solid
AE92	1.6 LITRE	06/1989 - 09/1994	FRONT	ACDR701	Solid
AE101	DISC/DRUM	09/1994 - 07/2000	FRONT	ACDR711	Vented
AE102	DISC/DISC	09/1994 - 04/2000	FRONT	ACDR709	Vented
			REAR	ACDR710	Solid
AE112		10/1998 - 11/2001	FRONT	ACDR709	Vented
			REAR	ACDR710	Solid
ZZE122		12/2001 -	FRONT	ACDR712	Vented
			REAR	ACDR713	Solid
ZZE123		05/2003 - 02/2005	REAR	ACDR713	Solid
DYNA					
YY100		01/1995 - 09/2001	FRONT	ACDR156	Vented
LH80	COMMERCIAL	11/1985 - 03/1988	FRONT	ACDR156	Vented
		04/1988 - 04/1991	FRONT	ACDR156	Vented
YH81	COMMERCIAL	11/1985 - 03/1988	FRONT	ACDR156	Vented
		04/1988 - 10/1992	FRONT	ACDR156	Vented

TOYOTA (Continued)		YEAR	AXLE	PART NO.	TYPE
HIACE					
LH (50/60/70)	COMMERCIAL, ALL MODELS	01/1983 - 12/1983	FRONT	ACDR156	Vented
LH (51/61/71)	COMMERCIAL, ALL MODELS	03/1984 - 12/1989	FRONT	ACDR156	Vented
LH (103/113/125)	ALL MODELS	10/1989 - 09/2000	FRONT	ACDR766	Vented
YH (50/51/61/71)	COMMERCIAL, ALL MODELS	01/1983 - 12/1986	FRONT	ACDR156	Vented
YH (53/63/73)	COMMERCIAL, ALL MODELS	10/1986 - 03/1988	FRONT	ACDR156	Vented
		04/1988 - 10/1989	FRONT	ACDR156	Vented
RZH (103/113/125)	ALL MODELS	10/1989 - 02/2005	FRONT	ACDR766	Vented
HILUX / 4 RUNNER					
LN46	COMMERCIAL, LN46 MODEL, 4X4	11/1981 - 12/1983	FRONT	ACDR154	Solid
LN (55/56)	COMMERCIAL, LN55 MODEL, LN56 MODEL	11/1983 - 10/1988	FRONT	ACDR156	Vented
LN65	COMMERCIAL, LN65 MODEL, 4X4	11/1983 - 10/1988	FRONT	ACDR154	Solid
LN60	COMMERCIAL, 4 RUNNER MODEL, 4X4	07/1984 - 11/1985	FRONT	ACDR154	Solid
LN61	COMMERCIAL, 4 RUNNER MODEL, 4X4	11/1985 - 09/1989	FRONT	ACDR780	Vented
LN (85/86)	COMMERCIAL, LN85 MODEL, LN86 MODEL	10/1988 - 11/1997	FRONT	ACDR156	Vented
LN106	COMMERCIAL, LN106 MODEL, 4X4	10/1988 - 12/1997	FRONT	ACDR151	Solid
LN107		01/1992 - 12/1997	FRONT	ACDR780	Vented
LN111	COMMERCIAL, LN111 MODEL, 4X4	10/1988 - 12/1997	FRONT	ACDR780	Vented
LN130	COMMERCIAL, 4 RUNNER MODEL, 4X4	10/1989 - 08/1991	FRONT	ACDR780	Vented
LN147		11/1997 - 10/2004	FRONT	ACDR156	Vented
LN167		11/1997 - 10/2004	FRONT	ACDR780	Vented
LN172		01/1998 - 10/2004	FRONT	ACDR780	Vented
KZN165		12/1999 - 10/2004	FRONT	ACDR780	Vented
RN (36/46)	COMMERCIAL, RN36 MODEL, RN46 MODEL, 4X4	09/1980 - 12/1983	FRONT	ACDR154	Solid
RN85	COMMERCIAL, RN85 MODEL	10/1988 - 12/1997	FRONT	ACDR156	Vented
RN105	COMMERCIAL, RN105 MODEL, 4X4	10/1988 - 12/1997	FRONT	ACDR151	Solid
RN110	COMMERCIAL, RN110 MODEL, 4X4	10/1988 - 12/1997	FRONT	ACDR780	Vented
RN130	COMMERCIAL, RN130 MODEL, 4 RUNNER MODEL	10/1989 - 08/1991	FRONT	ACDR780	Vented
RN106		01/1992 - 11/1997	FRONT	ACDR780	Vented
RZN147		11/1997 - 10/2001	FRONT	ACDR156	Vented
RZN149		11/1997 - 10/2004	FRONT	ACDR156	Vented
RZN154		01/1998 - 10/2004	FRONT	ACDR156	Vented
RZN169		11/1997 - 10/2002	FRONT	ACDR780	Vented
RZN174		01/1998 - 10/2002	FRONT	ACDR780	Vented
YN (55/56)	COMMERCIAL, ALL MODELS	11/1983 - 09/1988	FRONT	ACDR156	Vented
YN58	COMMERCIAL, 4X2	10/1987 - 12/1988	FRONT	ACDR156	Vented
YN (60/65)	COMMERCIAL, YN60 MODEL, YN65 MODEL, 4X4	11/1983 - 12/1987	FRONT	ACDR154	Solid
YN63	COMMERCIAL, YN63 MODEL, 4 RUNNER MODEL, 4X4	11/1985 - 05/1989	FRONT	ACDR780	Vented
YN67	COMMERCIAL, YN67 MODEL, 4X4	11/1985 - 05/1989	FRONT	ACDR154	Solid
YN85	COMMERCIAL, DISC/DRUM	10/1988 - 11/1997	FRONT	ACDR156	Vented
YN130	COMMERCIAL, DISC/DRUM, 4 RUNNER MODEL	10/1989 - 12/1990	FRONT	ACDR780	Vented
VZN130	COMMERCIAL, 4 RUNNER MODEL	10/1990 - 08/1991	FRONT	ACDR780	Vented
VZN167		11/2002 - 10/2004	FRONT	ACDR780	Vented
LANDCRUISER					
BJ42	COMMERCIAL, BJ42 MODEL, 4X4	10/1980 - 12/1984	FRONT	ACDR151	Solid
BJ (70/73)	COMMERCIAL, ALL MODELS	01/1985 - 03/1990	FRONT	ACDR151	Solid
BJ74	COMMERCIAL	03/1986 - 12/1990	FRONT	ACDR151	Solid
FJ (40/45/55)	COMMERCIAL, FJ40 MODEL, 4X4	10/1980 - 12/1984	FRONT	ACDR151	Solid
FJ (60/62)	COMMERCIAL, ALL MODELS	01/1981 - 04/1990	FRONT	ACDR151	Solid
FJ (70/73/75)	COMMERCIAL, ALL MODELS	01/1985 - 10/1992	FRONT	ACDR151	Solid
FJ80	COMMERCIAL, 4.0 LITRE	05/1990 - 10/1992	FRONT	ACDR782	Vented
FZJ70	COMMERCIAL, FZJ70 MODEL	11/1992 - 05/1995	FRONT	ACDR151	Solid
FZJ75	COMMERCIAL	11/1992 - 11/1999	FRONT	ACDR151	Solid
			REAR	ACDR787	Vented
FZJ78		10/1999 - 07/2001	FRONT	ACDR790	Vented
FZJ79		10/1999 - 10/2004	FRONT	ACDR790	Vented
FZJ80	COMMERCIAL, FZJ80 MODEL	11/1992 - 02/1998	FRONT	ACDR784	Vented
			REAR	ACDR786	Vented
FZJ105		03/1998 - 09/2002	FRONT	ACDR790	Vented
GRJ120 (PRADO)		03/2003 - 10/2004	REAR	ACDR793	Vented
HDJ78		11/2001 - 10/2004	FRONT	ACDR790	Vented
			REAR	ACDR794	Vented
HDJ79		11/2001 - 10/2004	FRONT	ACDR790	Vented
			REAR	ACDR794	Vented
HDJ80	COMMERCIAL, TURBO, DIESEL	05/1990 - 07/1992	FRONT	ACDR782	Vented
	COMMERCIAL, TURBO, DIESEL	08/1992 - 02/1998	FRONT	ACDR784	Vented
	COMMERCIAL	08/1992 - 02/1998	REAR	ACDR786	Vented
HJ47	COMMERCIAL, HJ47 MODEL	01/1983 - 12/1984	FRONT	ACDR151	Solid
HJ (60/61/75)	COMMERCIAL, ALL MODELS	11/1980 - 04/1990	FRONT	ACDR151	Solid
HZJ (70/73/75)	COMMERCIAL, ALL MODELS	03/1990 - 12/1999	FRONT	ACDR151	Solid
HZJ (70/75)	COMMERCIAL, HZJ70 MODEL, HZJ75 MODEL	08/1992 - 12/1999	REAR	ACDR787	Vented
HZJ78		10/1999 - 10/2004	FRONT	ACDR790	Vented
			REAR	ACDR794	Vented
HZJ79		10/1999 - 10/2004	FRONT	ACDR790	Vented
			REAR	ACDR794	Vented
HZJ80	COMMERCIAL, DIESEL	04/1990 - 07/1992	FRONT	ACDR782	Vented
	COMMERCIAL, DIESEL	08/1992 - 02/1998	FRONT	ACDR784	Vented
	COMMERCIAL	08/1992 - 02/1998	REAR	ACDR786	Vented
HZJ105		03/1998 - 09/2002	FRONT	ACDR790	Vented
KDJ120 (PRADO)		11/2006 -	REAR	ACDR793	Vented
KZJ95 (PRADO)		03/2000 - 02/2003	FRONT	ACDR792	Vented
KZJ120 (PRADO)		03/2003 - 10/2004	REAR	ACDR793	Vented
PZJ (70/73)	COMMERCIAL, ALL MODELS	03/1990 - 02/1991	FRONT	ACDR151	Solid
RZJ95 (PRADO)		07/1996 - 05/2002	FRONT	ACDR792	Vented
			REAR	ACDR793	Vented
RZJ120 (PRADO)		03/2003 - 08/2004	REAR	ACDR793	Vented

TOYOTA (Continued)		YEAR	AXLE	PART NO.	TYPE
LANDCRUISER (Continued)					
VDJ76		03/2007 -	FRONT	ACDR790	Vented
VDJ78		03/2007 -	FRONT	ACDR790	Vented
VDJ79		03/2007 -	FRONT	ACDR790	Vented
VZJ95 (PRADO)		07/1996 - 02/2003	FRONT	ACDR792	Vented
			REAR	ACDR793	Vented
LEXCEN					
VN	SEDAN, ST WAGON	09/1991 - 11/1991	FRONT	ACDR027	Vented
		09/1989 - 11/1991	REAR	ACDR016	Solid
VP (& NEWPORT)	NON-ABS (271mm ROTOR)	11/1991 - 04/1992	FRONT	ACDR015	Vented
	NON-ABS (289mm ROTOR)	05/1992 - 07/1992	FRONT	ACDR027	Vented
LEXCEN					
VP (& NEWPORT)	32 TEETH (ABS), W/O IRS	07/1992 - 08/1993	FRONT	ACDR027	Vented
	48 TEETH (ABS), IRS	07/1992 - 08/1993	FRONT	ACDR027	Vented
	NON-ABS	08/1992 - 08/1993	FRONT	ACDR025	Vented
	W/O IRS	11/1991 - 08/1993	REAR	ACDR016	Solid
	IRS	11/1991 - 08/1993	REAR	ACDR026	Solid
VR (& NEWPORT)		08/1993 - 04/1995	FRONT	ACDR035	Vented
	W/O IRS	08/1993 - 03/1995	REAR	ACDR016	Solid
	IRS	08/1993 - 03/1995	REAR	ACDR036	Solid
VS (& NEWPORT)		05/1995 - 05/1997	FRONT	ACDR035	Vented
	W/O IRS	05/1995 - 05/1997	REAR	ACDR016	Solid
	IRS	05/1995 - 12/1996	REAR	ACDR036	Solid
LEXUS					
ES300		06/1992 - 10/1996	FRONT	ACDR735	Vented
TARAGO					
ACR30		06/2000 - 05/2003	FRONT	ACDR735	Vented
VOLVO		YEAR	AXLE	PART NO.	TYPE
240 / 242 / 244 / 245					
240 / 242 / 244 / 245	ALL MODELS	03/1975 - 12/1991	REAR	ACDR381	Solid
260 / 264 / 265					
260 / 264 / 265	ALL MODELS	08/1975 - 03/1986	REAR	ACDR381	Solid
740					
740	SEDAN, W/O MULTILINK	09/1985 - 12/1991	REAR	ACDR381	Solid
760					
760	SEDAN, W/O MULTILINK	01/1984 - 12/1987	REAR	ACDR381	Solid



Disc Rotors Catalogue

abbreviations

ABS	Anti-Lock Braking System
AUTO TRANS	Automatic Transmission
AWD	All Wheel Drive
DOHC	Double Overhead Camshaft
CARB	Carburettor
F	Front
IRS	Independent Rear Suspension

mm	Millimetres
MAN TRANS	Manual Transmission
POS	Position (Front or Rear)
R	Rear
SOHC	Single Overhead Camshaft
STD	Standard
w/o	with out



Disc Rotor

numerical references

PART NO	MAKE	MODEL	MODEL CODE NAME	YEAR	POS
ACDR014	HOLDEN	HOLDEN	HQ	07/1971 - 09/1974	F
			HQ/HJ/HX (1 TON)	10/1974 - 09/1977	F
			HJ/HX/HZ	10/1974 - 12/1980	F
			HZ (1 TON)	10/1977 - 12/1980	F
		STATESMAN/CAPRICE TORANA/SUNBIRD	WB (1 TON)	04/1980 - 12/1985	F
			WB	05/1980 - 07/1985	F
ACDR015	HOLDEN	COMMODORE	VB	11/1978 - 02/1980	F
			VC	03/1980 - 09/1981	F
			VH	10/1981 - 03/1984	F
			VK	03/1984 - 03/1986	F
			VL	03/1986 - 08/1988	F
			VN	08/1988 - 09/1991	F
			VG (UTE)	08/1990 - 01/1992	F
			VP	10/1991 - 05/1992	F
	TOYOTA	LEXCEN	VP (& NEWPORT)	11/1991 - 04/1992	F
	ACDR016	HOLDEN	COMMODORE	VB	11/1978 - 02/1980
VC				03/1980 - 09/1981	R
VH				10/1981 - 03/1984	R
VK				03/1984 - 03/1986	R
VL				03/1986 - 08/1988	R
VN				08/1988 - 09/1991	R
VG (UTE)				08/1990 - 01/1992	R
VP				10/1991 - 07/1993	R
TOYOTA		LEXCEN	VR	07/1993 - 04/1995	R
			VS	04/1995 - 08/1997	R
			VN19/35	09/1989 - 11/1991	R
			VP (& NEWPORT)	11/1991 - 08/1993	R
			VR (& NEWPORT)	08/1993 - 03/1995	R
			VS (& NEWPORT)	05/1995 - 05/1997	R
ACDR017	HOLDEN	COMMODORE	VL	03/1986 - 08/1988	F
			VN	08/1988 - 09/1991	F
			VG (UTE)	08/1990 - 01/1992	F
			VP	10/1991 - 05/1992	F
			VP	01/1993 - 07/1993	F
			STATESMAN/CAPRICE	VQ	03/1990 - 04/1992
ACDR021	DAEWOO	CIELO	CIELO	10/1995 - 04/1998	F
		ESPERO	ESPERO	03/1995 - 07/1997	F
		LANOS	LANOS	08/1997 - 12/2000	F
	HOLDEN	ASTRA	TR	09/1996 - 09/1998	F
		BARINA	SB	12/1994 - 12/2000	F
		CAMIRA	JD	11/1984 - 03/1987	F
		JE	04/1987 - 07/1989	F	
		COMBO	SB	12/1994 - 12/1998	F
ACDR022	HOLDEN	BARINA	MF	02/1989 - 09/1991	F
			MH	10/1991 - 05/1994	F
	SUZUKI	SWIFT	CINO	05/1994 - 05/2000	F
			SF	01/1989 - 12/1994	F
ACDR023	DAEWOO	CIELO	CIELO	10/1995 - 04/1998	F
		ESPERO	ESPERO	03/1995 - 07/1997	F
		LANOS	LANOS	08/1997 - 12/2000	F
	HOLDEN	ASTRA	TR	09/1996 - 09/1998	F
		CALIBRA	YE	10/1991 - 07/1995	F
		YE95	08/1995 - 07/1998	F	
ACDR025	HOLDEN	COMMODORE	VP	05/1992 - 09/1992	F
		STATESMAN/CAPRICE	VQ	05/1992 - 02/1994	F
	TOYOTA	LEXCEN	VP (& NEWPORT)	08/1992 - 08/1993	F
ACDR026	HOLDEN	COMMODORE	VP	10/1991 - 07/1993	R
		STATESMAN/CAPRICE	VQ	03/1990 - 02/1994	R
	TOYOTA	LEXCEN	VP (& NEWPORT)	11/1991 - 08/1993	R
ACDR027	HOLDEN	COMMODORE	VP	05/1992 - 07/1993	F
		STATESMAN/CAPRICE	VQ	05/1992 - 02/1994	F
	TOYOTA	LEXCEN	VN19/35	09/1991 - 11/1991	F

PART NO	MAKE	MODEL	MODEL CODE NAME	YEAR	POS		
ACDR027	TOYOTA	LEXCEN	VP (& NEWPORT)	05/1992 - 07/1992	F		
			VP (& NEWPORT)	07/1992 - 08/1993	F		
			VP (& NEWPORT)	07/1992 - 08/1993	F		
ACDR033	HOLDEN	JACKAROO	UBS16	04/1987 - 12/1988	F		
			UBS (2.6 LITRE 4ZE1)	07/1988 - 03/1992	F		
			UBS (2.8 LITRE 4JB1)	07/1988 - 03/1992	F		
		RODEO	07/1988 - 02/2003	F			
ACDR035	HOLDEN	COMMODORE	VR	07/1993 - 04/1995	F		
			VS	04/1995 - 08/1997	F		
		STATESMAN/CAPRICE	VR (LONG WHEELBASE)	03/1994 - 04/1995	F		
			VS (LONG WHEELBASE)	04/1995 - 06/1999	F		
	TOYOTA	LEXCEN	VR (& NEWPORT)	08/1993 - 04/1995	F		
			VS (& NEWPORT)	05/1995 - 05/1997	F		
ACDR036	HOLDEN	COMMODORE	VR	07/1993 - 04/1995	R		
			VS	04/1995 - 08/1997	R		
		STATESMAN/CAPRICE	VR (LONG WHEELBASE)	03/1994 - 04/1995	R		
			VS (LONG WHEELBASE)	04/1995 - 06/1999	R		
	TOYOTA	LEXCEN	VR (& NEWPORT)	08/1993 - 03/1995	R		
			VS (& NEWPORT)	05/1995 - 12/1996	R		
ACDR040	HOLDEN	COMMODORE	VT	09/1997 - 04/2000	F		
			VX	10/2000 - 09/2002	F		
			VU (UTE)	12/2000 - 09/2002	F		
			VY	09/2002 - 07/2004	F		
			VZ	08/2004 - 07/2006	F		
		CREWMAN	VY	09/2003 - 07/2004	F		
			VZ	08/2004 - 12/2005	F		
		MONARO	CV6 V2	12/2001 - 08/2003	F		
			CV8 V2	12/2001 - 09/2004	F		
		STATESMAN/CAPRICE	WH	06/1999 - 04/2003	F		
			WK	05/2003 - 07/2004	F		
			WL	08/2004 - 07/2006	F		
		ACDR041	HOLDEN	ADVENTRA	VY	10/2003 - 09/2004	R
					VZ	11/2004 - 03/2007	R
COMMODORE	VT			09/1997 - 04/2000	R		
	VX			10/2000 - 09/2002	R		
	VU (UTE)			12/2000 - 09/2002	R		
	VY			09/2002 - 07/2004	R		
	VZ			08/2004 - 07/2006	R		
CREWMAN	VY			09/2003 - 07/2004	R		
	VZ			08/2004 - 12/2005	R		
CREWMAN CROSS 8	VY			12/2003 - 09/2004	R		
	VZ			11/2004 - 07/2006	R		
MONARO	CV6 V2			12/2001 - 08/2003	R		
	CV8 V2			12/2001 - 09/2004	R		
STATESMAN/CAPRICE	WH			06/1999 - 04/2003	R		
	WK			05/2003 - 07/2004	R		
	WL			08/2004 - 07/2006	R		
ACDR096	JEEP			CHEROKEE	CHEROKEE	04/1994 - 12/2000	F
		GRAND CHEROKEE	ZG	03/1996 - 12/1998	F		
ACDR100	FORD	LASER	KA	03/1981 - 03/1983	F		
			KB	03/1983 - 10/1985	F		
		METEOR	GA	04/1982 - 05/1983	F		
	GB		05/1983 - 09/1985	F			
	MAZDA	323	BD (1.3LITRE)	10/1980 - 05/1986	F		
BD (1.5LITRE)			10/1980 - 10/1985	F			
ACDR107	FORD	FAIRLANE/LTD	54J	07/1973 - 06/1979	F		
			ZH	05/1976 - 04/1979	F		
			ZJ	05/1979 - 02/1982	F		
			FC	06/1979 - 02/1982	F		
			ZK	03/1982 - 09/1984	F		
			FD	03/1982 - 09/1984	F		
			FE	10/1984 - 02/1988	F		
			ZL	10/1984 - 05/1988	F		
			FALCON	XB	10/1975 - 07/1976	F	
				XC	08/1976 - 02/1979	F	
		XD		03/1979 - 02/1982	F		
		XE		03/1982 - 09/1984	F		
		XF (& UTE)		10/1984 - 02/1993	F		
		XG (UTE/VAN)		03/1993 - 03/1996	F		
		XFN (UTE)		07/1988 - 09/1991	F		
		ACDR109	FORD	FAIRLANE/LTD	ZK	03/1982 - 09/1984	R
					FE	10/1984 - 02/1988	R
ZL	10/1984 - 05/1988				R		
FALCON	XE			03/1982 - 09/1984	R		
	XF (& UTE)			10/1984 - 02/1993	R		

PART NO	MAKE	MODEL	MODEL CODE NAME	YEAR	POS			
ACDR110B	FORD	FAIRLANE/LTD	DA	03/1988 - 06/1991	F			
			NA	06/1988 - 06/1991	F			
			NC	07/1991 - 05/1992	F			
		FALCON	EA	03/1988 - 06/1991	F			
			EB	07/1991 - 07/1993	F			
ACDR111A	FORD	FAIRLANE/LTD	ED	08/1993 - 07/1994	F			
			NA	06/1988 - 06/1991	R			
		FALCON	EA	03/1988 - 06/1991	R			
ACDR111B	FORD	FAIRLANE/LTD	DA	03/1988 - 06/1991	R			
			NA	06/1988 - 06/1991	R			
			DC	07/1991 - 02/1995	R			
			NC	07/1991 - 03/1995	R			
		FALCON	EA	03/1988 - 06/1991	R			
			EB	07/1991 - 07/1993	R			
			XG (UTE/VAN)	03/1993 - 03/1996	R			
			ED	08/1993 - 07/1994	R			
			XH (UTE/VAN)	04/1996 - 06/1999	R			
ACDR130	FORD	FAIRLANE/LTD	DC	05/1992 - 02/1995	F			
			NC	05/1992 - 03/1995	F			
		FALCON	EB	04/1992 - 07/1993	F			
			ED	08/1993 - 07/1994	F			
ACDR131	FORD	FALCON	EF	08/1994 - 09/1996	F			
			EL	09/1996 - 08/1998	F			
ACDR132	FORD	FAIRLANE/LTD	NF	03/1995 - 08/1996	F			
			DF	03/1995 - 08/1996	F			
			NL	09/1996 - 02/1999	F			
		FALCON	DL	09/1996 - 06/1999	F			
			EF	08/1994 - 09/1996	F			
			XH (UTE/VAN)	04/1996 - 06/1999	F			
			EL	09/1996 - 08/1998	F			
ACDR133	FORD	FAIRLANE/LTD	NF	03/1995 - 08/1996	R			
			DF	03/1995 - 08/1996	R			
			NL	09/1996 - 02/1999	R			
			DL	09/1996 - 06/1999	R			
		FALCON	EF	08/1994 - 07/1996	R			
			EL	09/1996 - 08/1998	R			
ACDR151	TOYOTA	HILUX/4 RUNNER	LN 111	10/1988 - 12/1997	F			
			RN 105	10/1988 - 12/1997	F			
		LANDCRUISER	BJ 42	10/1980 - 12/1984	F			
			FJ (40/45/55)	10/1980 - 12/1984	F			
			HJ (60/61/75)	11/1980 - 04/1990	F			
			FJ (60/62)	01/1981 - 04/1990	F			
			HJ 47	01/1983 - 12/1984	F			
			BJ (70/73)	01/1985 - 03/1990	F			
			FJ (70/73/75)	01/1985 - 10/1992	F			
			BJ74	03/1986 - 12/1990	F			
			PZJ (70/73)	03/1990 - 02/1991	F			
			HZJ (70/73/75)	03/1990 - 12/1999	F			
			FZJ 70	11/1992 - 05/1995	F			
			FZJ75	11/1992 - 11/1999	F			
			ACDR154	TOYOTA	BUNDERA	RJ70/LJ70	01/1985 - 12/1991	F
					HILUX/4 RUNNER	RN (36/46)	09/1980 - 12/1983	F
						LN 46	11/1981 - 12/1983	F
LN (55/56)	11/1983 - 10/1988	F						
YN (60/65)	11/1983 - 12/1987	F						
LN60	07/1984 - 11/1985	F						
YN 63	11/1985 - 05/1989	F						
ACDR156	TOYOTA	DYNA				LH80	11/1985 - 03/1988	F
			YH81	11/1985 - 03/1988	F			
			LH80	04/1988 - 04/1991	F			
			YH81	04/1988 - 10/1992	F			
			YY100	01/1995 - 09/2001	F			
		HIACE	LH (50/60/70)	01/1983 - 12/1983	F			
			YH (50/51/61/71)	01/1983 - 12/1986	F			
			LH (51/61/71)	03/1984 - 12/1989	F			
			YH (53/63/73)	10/1986 - 03/1988	F			
			YH (53/63/73)	04/1988 - 10/1989	F			
		HILUX/4 RUNNER	YN (55/56)	11/1983 - 09/1988	F			
			LN (55/56)	11/1983 - 10/1988	F			
			YN58	10/1987 - 12/1988	F			
			LN (85/86)	10/1988 - 11/1997	F			
			YN85	10/1988 - 11/1997	F			
			RN 85	10/1988 - 12/1997	F			
			RZN147	11/1997 - 10/2001	F			
LN147	11/1997 - 10/2004		F					

PART NO	MAKE	MODEL	MODEL CODE NAME	YEAR	POS	
ACDR156	TOYOTA	HILUX/4 RUNNER	RZN149	11/1997 - 10/2004	F	
			RZN154	01/1998 - 10/2004	F	
ACDR221	MITSUBISHI	GALANT	HG	05/1989 - 08/1990	F	
			MAGNA/VERADA	TM	04/1985 - 05/1987	F
			TN	04/1987 - 05/1989	F	
			TP	06/1989 - 04/1992	F	
ACDR222	MITSUBISHI	MAGNA/VERADA	TM	04/1985 - 05/1987	R	
			TN	04/1987 - 05/1989	R	
			TP	06/1989 - 03/1991	R	
ACDR230	MITSUBISHI	EXPRESS	SJ	10/1994 - 10/2004	F	
			L300	SF	10/1986 - 08/1990	F
		STARWAGON	SG	09/1990 - 08/1991	F	
			SH	09/1991 - 09/1994	F	
			SJ	10/1995 - 06/2001	F	
ACDR329	FORD	MAVERICK	Y60	02/1988 - 09/1993	F	
	NISSAN	PATROL	160 (MQ)	01/1980 - 12/1987	F	
ACDR381	VOLVO	240/242/244/245	240/242/244/245	03/1975 - 12/1991	R	
		260/264/265	260/264/265	08/1975 - 03/1986	R	
		740	740	09/1985 - 12/1991	R	
		760	760	01/1984 - 12/1987	R	
ACDR413	MITSUBISHI	LANCER	CC	09/1992 - 07/1996	F	
			CC	10/1992 - 07/1996	F	
			CE	07/1996 - 08/2002	F	
	PROTON	MIRAGE	CE	07/1996 - 08/2004	F	
		PERSONA	PERSONA	11/1996 - 09/1998	F	
		SATRIA	SATRIA	02/1997 - 09/1999	F	
ACDR421	MITSUBISHI	MAGNA/VERADA	WIRA	1.5 LITRE	05/1995 - 11/1996	F
			TR	04/1991 - 03/1994	F	
ACDR422	MITSUBISHI	MAGNA/VERADA	TS	03/1994 - 02/1997	F	
			TR	04/1991 - 03/1994	R	
			KR (VERADA)	07/1991 - 03/1994	R	
ACDR425	MITSUBISHI	MAGNA/VERADA	TS	03/1994 - 02/1997	R	
			TR	04/1993 - 03/1994	F	
			TE	04/1996 - 06/1997	F	
			KE (VERADA)	10/1996 - 06/1997	F	
			KF (VERADA)	06/1997 - 03/1999	F	
			TF	06/1997 - 03/1999	F	
			TH	03/1999 - 09/2000	F	
			KJ (VERADA)	08/2000 - 05/2003	F	
			TJ	08/2000 - 05/2003	F	
			KL (VERADA)	06/2003 - 09/2004	F	
ACDR426	MITSUBISHI	MAGNA/VERADA	TL	06/2003 - 09/2004	F	
			TE	04/1996 - 06/1997	R	
			KE (VERADA)	10/1996 - 06/1997	R	
			KF (VERADA)	06/1997 - 03/1999	R	
			TF	06/1997 - 03/1999	R	
			TH	03/1999 - 09/2000	R	
			KJ (VERADA)	08/2000 - 05/2003	R	
			TJ	08/2000 - 05/2003	R	
ACDR450	HYUNDAI	ACCENT	LC	06/2000 - 08/2003	F	
			EXCEL	02/1988 - 02/1998	F	
ACDR451	HYUNDAI	EXCEL	EXCEL	02/1988 - 02/1998	F	
		S COUPE	S COUPE	07/1990 - 03/1996	F	
ACDR452	HYUNDAI	SONATA	SONATA	03/1989 - 08/1998	F	
ACDR453	HYUNDAI	COUPE	COUPE	07/1996 - 08/1999	F	
		LANTRA	LANTRA	05/1991 - 05/1998	F	
		SPORTSWAGON	SPORTSWAGON	02/1996 - 05/1998	F	
ACDR500	FORD	FAIRLANE/LTD	NU	09/1998 - 04/2000	F	
			DU	09/1998 - 04/2000	F	
ACDR501	FORD	FAIRLANE/LTD	AU	09/1998 - 04/2000	F	
			NU	09/1998 - 04/2000	R	
			DU	09/1998 - 04/2000	R	
ACDR502	FORD	FAIRLANE/LTD	FALCON	09/1998 - 04/2000	R	
			NU	04/2000 - 06/2001	F	
ACDR503	FORD	FAIRLANE/LTD	DU	04/2000 - 06/2001	F	
			AU	04/2000 - 09/2002	F	
			NU	04/2000 - 06/2001	R	
ACDR504	FORD	FAIRLANE/LTD / FALCON	DU	04/2000 - 06/2001	R	
			AU	04/2000 - 09/2002	R	
ACDR505	FORD	FAIRLANE/LTD / FALCON	BF	10/2005 -	F	
			BA	09/2002 - 09/2005	F	
ACDR505	FORD	FAIRLANE/LTD / FALCON	BF	10/2005 -	R	
			BA	09/2002 - 09/2005	R	

PART NO	MAKE	MODEL	MODEL CODE NAME	YEAR	POS	
ACDR530	FORD	FESTIVA	WB	04/1994 - 12/1996	F	
			WD	01/1997 - 12/1997	F	
			WF	01/1998 - 12/2000	F	
		MAZDA	121	LASER	KF	03/1990 - 09/1991
				KH	10/1991 - 10/1994	F
				DW	10/1990 - 10/1996	F
			MX-5	NA	10/1996 - 12/2002	F
ACDR532	FORD	FESTIVA	WB	04/1994 - 12/1996	F	
			WD	01/1997 - 12/1997	F	
			WF	01/1998 - 12/2000	F	
		LASER	KF	03/1990 - 08/1991	F	
				03/1990 - 09/1991	F	
			KH	10/1991 - 09/1994	F	
				10/1991 - 10/1994	F	
	MAZDA	323	KN	03/1999 - 04/2001	F	
			KQ	04/2001 - 08/2002	F	
			BG (1.6LITRE)	10/1989 - 08/1994	F	
			BG (1.8LITRE)(& ASTINA)	10/1989 - 08/1994	F	
		BJ	09/1998 - 12/2003	F		
ACDR533	FORD	LASER	KF	03/1990 - 09/1991	F	
			KH	10/1991 - 10/1994	F	
			KJ	10/1994 - 07/1995	F	
				08/1995 - 03/1999	F	
	MAZDA	323	BG (1.8LITRE)(& ASTINA)	10/1989 - 08/1994	F	
			BA	07/1994 - 09/1998	F	
			BA (ASTINA)	07/1994 - 09/1998	F	
		EUNOS	30X	11/1993 - 12/1997	F	
ACDR540	JEEP	GRAND CHEROKEE	WJ	07/1999 - 10/2000	F	
			WG	11/2000 - 03/2005	F	
ACDR573	NISSAN	X-TRAIL	T30	10/2001 - 11/2003	F	
ACDR603	HOLDEN	ASTRA	LD	07/1987 - 07/1989	F	
	NISSAN	PULSAR	KN13 (EXA)	02/1987 - 12/1987	F	
ACDR615	NISSAN	PINTARA	R31	07/1987 - 09/1991	F	
		SKYLINE	R31	07/1986 - 12/1990	F	
ACDR617	FORD	CORSAIR	UA	11/1989 - 12/1992	F	
	NISSAN	PINTARA	U12	11/1989 - 10/1992	F	
ACDR618	NISSAN	PULSAR	N16	07/2000 - 08/2003	F	
		NAVARA	D22	02/1997 - 10/2001	F	
ACDR621	NISSAN	NAVARA/PATHFINDER (D21)		12/2001 - 10/2004	F	
			KA24	06/1992 - 02/1997	F	
			VG30E (NAV/PATH)	05/1992 - 05/1995	F	
			E24	03/1987 - 09/1993	F	
ACDR622	NISSAN	URVAN	720	04/1983 - 12/1985	F	
			SD25/TD25/TD27	01/1986 - 02/1997	F	
			Z20/Z24	01/1986 - 05/1992	F	
			Z24 (PATHFINDER)	12/1986 - 09/1992	F	
ACDR622	FORD	MAVERICK	Y60	02/1988 - 09/1993	R	
	NISSAN	PATROL	Y60 (GQ)	10/1991 - 03/1995	R	
			Y61 (GU)	10/1997 -	R	
			Y61 (GU11/111) 3.0 LTR DIESEL	04/2000 - 09/2004	R	
ACDR628	NISSAN	PULSAR	KN13 (EXA)	01/1988 - 10/1991	F	
			N14	10/1991 - 09/1995	F	
ACDR631	FORD	COURIER/RAIDER	2.0 LITRE	06/1985 - 02/1992	F	
			2.2 LITRE	06/1985 - 04/1996	F	
			2.6 LITRE	10/1991 - 05/1996	F	
		ECONOVAN/MAXI	1.8 LITRE	04/1984 - 09/1985	F	
			2.0 LITRE	04/1984 - 05/1992	F	
			2.2 LITRE	03/1984 - 12/1991	F	
	MAZDA	SPECTRON	2.0 LITRE	03/1986 - 04/1990	F	
			B SERIES	B2000	02/1985 - 12/1988	F
				B2200	02/1985 - 03/1996	F
				B2600	03/1987 - 03/1996	F
		E SERIES	E1800	02/1984 - 10/1986	F	
			E2000	01/1984 - 05/1992	F	
			E2200	01/1984 - 05/1992	F	
ACDR633	FORD	TELSTAR	AT	10/1987 - 10/1989	F	
			AV	01/1990 - 01/1992	F	
	MAZDA	626	2.0/2.2LITRE DIESEL	10/1987 - 12/1991	F	
			ESTATE WAGON (2.2LITRE)	06/1988 - 05/1997	F	
		MX-6	MX-6 (TURBO)	10/1987 - 10/1991	F	
ACDR648	SUBARU	FORESTER	FORESTER	08/1997 - 07/2002	F	
		IMPENZA	IMPENZA	10/2001 - 11/2002	F	
		LIBERTY	LIBERTY	11/1996 - 10/2004	F	

PART NO	MAKE	MODEL	MODEL CODE NAME	YEAR	POS
ACDR648	SUBARU	OUTBACK	OUTBACK	09/1996 - 06/2000	F
			OUTBACK H6	09/2003 - 07/2004	F
		WRX	WRX	02/1994 - 12/1998	F
ACDR650	SUBARU	FORESTER	FORESTER	08/2002 - 06/2005	F
		LIBERTY	LIBERTY B4	08/2001 - 08/2003	F
		OUTBACK	OUTBACK H6	10/2002 - 08/2003	F
		WRX	WRX	02/1999 - 09/2001	F
ACDR701	HOLDEN	NOVA	LE	08/1989 - 08/1991	F
			LF	08/1991 - 10/1994	F
	TOYOTA	COROLLA	AE80	04/1985 - 05/1989	F
			AE82	04/1985 - 05/1989	F
			AE90	06/1989 - 11/1992	F
ACDR709	TOYOTA	COROLLA	AE92	06/1989 - 09/1994	F
			AE102	09/1994 - 04/2000	F
ACDR710	TOYOTA	COROLLA	AE112	10/1998 - 11/2001	F
			AE102	09/1994 - 04/2000	R
ACDR711	TOYOTA	COROLLA	AE112	10/1998 - 11/2001	R
			AE101	09/1994 - 07/2000	F
ACDR712	TOYOTA	COROLLA	ZZE122	12/2001 -	F
ACDR713	TOYOTA	COROLLA	ZZE122	12/2001 -	R
			ZZE123	05/2003 - 02/2005	R
ACDR730	HOLDEN	APOLLO	JK	08/1989 - 07/1991	F
			JL	08/1991 - 02/1993	F
	TOYOTA	CAMRY (& VIENTA)	SV21	05/1987 - 02/1993	F
			SV20	05/1987 - 08/1989	F
ACDR733	HOLDEN	APOLLO	SV22	09/1989 - 02/1993	F
			JM	03/1993 - 08/1995	F
			JP	09/1995 - 05/1997	F
ACDR735	HOLDEN	APOLLO	SDV10	03/1993 - 08/1995	F
			SXV10	04/1995 - 03/1998	F
			SXV20	08/1997 - 08/2002	F
ACDR736	HOLDEN	APOLLO	JM	03/1993 - 08/1995	F
			JP	09/1995 - 05/1997	F
	TOYOTA	CAMRY (& VIENTA)	MCX10	07/2000 - 02/2005	F
			VDV10	03/1993 - 09/1995	F
			VCV10	08/1995 - 08/1997	F
			MCV20	08/1997 - 08/2002	F
			ACV36	09/2002 - 10/2004	F
ACDR766	TOYOTA	HIACE	ES300	06/1992 - 10/1996	F
			ACR30	06/2000 - 05/2003	F
ACDR780	TOYOTA	HILUX/4 RUNNER	JM	03/1993 - 07/1995	R
			JM	03/1993 - 08/1995	R
			JP	09/1995 - 05/1997	R
			SDV10	03/1993 - 08/1995	R
			VDV10	03/1993 - 09/1995	R
			SXV10	04/1995 - 03/1998	R
			VCV10	08/1995 - 08/1997	R
			MCV20	08/1997 - 08/2002	R
			SXV20	08/1997 - 08/2002	R
			ACV36	09/2002 - 10/2004	R
			MCV36	09/2002 - 10/2004	R
			ACDR782	TOYOTA	LANDCRUISER
RZH (103/113/125)	10/1989 - 02/2005	F			
ACDR784	TOYOTA	LANDCRUISER	YN 63	11/1985 - 05/1989	F
			LN61	11/1985 - 09/1989	F
			LN 111	10/1988 - 12/1997	F
			RN 105	10/1988 - 12/1997	F
			LN130	10/1989 - 08/1991	F
			RN 110	10/1989 - 08/1991	F
			YN130	10/1989 - 12/1990	F
			VZN130	10/1990 - 08/1991	F
			RN106	01/1992 - 11/1997	F
			LN107	01/1992 - 12/1997	F
			RZN169	11/1997 - 10/2002	F
			LN167	11/1997 - 10/2004	F
			RZN174	01/1998 - 10/2002	F
			LN172	01/1998 - 10/2004	F
			KZN165	12/1999 - 10/2004	F
VZN167	11/2002 - 10/2004	F			
ACDR784	TOYOTA	LANDCRUISER	HZJ80	04/1990 - 07/1992	F
			HDJ80	05/1990 - 07/1992	F
			FJ80	05/1990 - 10/1992	F
ACDR784	TOYOTA	LANDCRUISER	HDJ80	08/1992 - 02/1998	F
			HZJ80	08/1992 - 02/1998	F

PART NO	MAKE	MODEL	MODEL CODE NAME	YEAR	POS
ACDR784	TOYOTA	LANDCRUISER	FZJ 80	11/1992 - 02/1998	F
ACDR786	TOYOTA	LANDCRUISER	HDJ80	08/1992 - 02/1998	R
			HZJ80	08/1992 - 02/1998	R
			FZJ 80	11/1992 - 02/1998	R
ACDR787	TOYOTA	LANDCRUISER	HZJ (70/73/75)	08/1992 - 12/1999	R
			FZJ 70	11/1992 - 05/1995	R
			FZJ75	11/1992 - 11/1999	R
ACDR790	TOYOTA	LANDCRUISER	FZJ105	03/1998 - 09/2002	F
			HZJ105	03/1998 - 09/2002	F
			FZJ78	10/1999 - 07/2001	F
			FZJ79	10/1999 - 10/2004	F
			HZJ78	10/1999 - 10/2004	F
			HZJ79	10/1999 - 10/2004	F
			HDJ78	11/2001 - 10/2004	F
			HDJ79	11/2001 - 10/2004	F
			VDJ76	03/2007 -	F
			VDJ78	03/2007 -	F
ACDR792	TOYOTA	LANDCRUISER	VZJ95 (PRADO)	07/1996 - 02/2003	F
			RZJ95 (PRADO)	07/1996 - 05/2002	F
			KZJ95 (PRADO)	03/2000 - 02/2003	F
ACDR793	TOYOTA	LANDCRUISER	VZJ95 (PRADO)	07/1996 - 04/2000	R
			RZJ95 (PRADO)	07/1996 - 05/2002	R
			RZJ120 (PRADO)	03/2003 - 08/2004	R
			GRJ120 (PRADO)	03/2003 - 10/2004	R
			KZJ120 (PRADO)	03/2003 - 10/2004	R
ACDR794	TOYOTA	LANDCRUISER	KDJ120 (PRADO)	11/2006 -	R
			HZJ78	10/1999 - 10/2004	R
			HZJ79	10/1999 - 10/2004	R
			HDJ78	11/2001 - 10/2004	R
ACDR815	HOLDEN	ASTRA	TS	09/1998 - 02/2005	F
			AH	11/2004 -	F
		ZAFIRA	TT	06/2001 - 05/2006	F
			TS	09/1998 - 02/2005	R
ACDR816	HOLDEN	ASTRA	AH	11/2004 -	R
			TT	06/2001 - 05/2006	R
		ZAFIRA	TT	06/2001 - 05/2006	R
ACDR817	HOLDEN	ASTRA	TS	09/1998 - 12/2005	F
ACDR818	HOLDEN	ASTRA	TS	09/1998 - 12/2005	R
ACDR819	HOLDEN	ASTRA	TR	09/1996 - 09/1998	R
ACDR820	DAEWOO	1.5i	1.5i	07/1994 - 10/1995	F
	HOLDEN	BARINA	SB1.2 LITRE	04/1994 - 11/1994	F
			SB1.6 LITRE	04/1994 - 12/2000	F
		CAMIRA	JB	08/1982 - 10/1984	F
	JD	11/1984 - 03/1987	F		
ACDR822	HOLDEN	BARINA	SB	04/1994 - 12/2000	F
ACDR825	HOLDEN	VECTRA	JR	06/1997 - 08/1998	F
			JS	08/1998 - 12/2002	F
	SAAB	9-3	9-3	06/1998 - 10/2002	F
ACDR826	HOLDEN	VECTRA	JR	06/1997 - 08/1998	R
			JS	08/1998 - 12/2002	R
	SAAB	9-3	9-3	06/1998 - 10/2002	R
ACDR847	HOLDEN	BARINA	XC	02/2001 - 02/2005	F
		COMBO	XC	09/2002 - 09/2004	F
ACDR849	HOLDEN	BARINA	XC	02/2001 - 02/2005	R
ACDR850	FORD	MONDEO	HB/HC	07/1995 - 12/1998	F
			HD	01/1999 - 02/2000	F
			HE	02/2000 - 12/2000	F
ACDR861	FORD	EXPLORER	XL/XLT/LTD	10/1996 - 06/1999	R
			UQ	06/1999 - 01/2000	R
			US	01/2000 - 10/2001	R
ACDR894	DAEWOO	NUBIRA	NUBIRA	06/1997 - 05/2003	F
ACDR899	NISSAN	PULSAR	N15	10/1995 - 12/2000	F
ACDR903	NISSAN	BLUEBIRD	U13	10/1993 - 12/1997	F
ACDR930	FORD	CAPRI (SOFT TOP)	SA/SC/SE	10/1989 - 07/1994	F
		LASER	KC	10/1985 - 10/1987	F
			KE	10/1987 - 10/1990	F
	METEOR	GC	10/1985 - 09/1987	F	
MAZDA	323	BF (1.6 LITRE)	10/1985 - 08/1989	F	
ACDR950	FORD	LASER	KQ	04/2001 - 08/2002	F
		PROBE	ST/SU	07/1994 - 02/1997	F
		TELSTAR	AX	01/1992 - 08/1994	F
	MAZDA	323	AY	08/1994 - 11/1996	F
		626	BJ	02/2001 - 12/2003	F
		2.5 LITRE V6	01/1992 - 06/1997	F	

PART NO	MAKE	MODEL	MODEL CODE NAME	YEAR	POS
ACDR950	MAZDA	626	GE	01/1992 - 06/1997	F
			GF	07/1997 - 08/2002	F
			GW WAGON	01/1998 - 06/2002	F
		EUNOS	500	04/1994 - 12/2000	F
		MX-6	MX-6	11/1991 - 09/1997	F
ACDR957	FORD	ESCAPE	CP10	02/2001 - 05/2002	F
			BA	02/2001 - 03/2003	F
	MAZDA		TRIBUTE	JMOYU	04/2003 - 01/2004
ACDR979	BMW	3 SERIES	Z3	01/1992 - 05/1995	F
			Z3I	01/1996 - 10/2000	F
			318IS	03/1991 - 10/1999	F
			320I	04/1991 - 02/2003	F
			318TI	04/1999 - 02/2003	F
			328I	06/1995 - 09/2000	F
			318I	09/1998 - 02/2003	F
			Z3	01/1997 - 12/2002	F
		Z4	2.5 LITRE (24Valve)	07/2003 - 03/2006	F
ACDR983	BMW	3 SERIES	325I	01/1992 - 05/1995	R
			318IS	03/1991 - 10/1999	R
			316I	03/1995 - 05/2001	R
			318I	04/1991 - 02/2003	R
			320I	04/1991 - 08/1998	R
			318TI	04/1999 - 02/2003	R
			328I	06/1995 - 09/2000	R
ACDR1065	HOLDEN	VECTRA	ZC 2.2 LITRE	03/2003 - 12/2006	R
ACDR2026	HOLDEN	COMMODORE	VE V6	09/2006 -	F
		STATESMAN/CAPRICE	WM V6	07/2006 -	F
ACDR2027	HOLDEN	COMMODORE	VE V6	09/2006 - 04/2007	R
		STATESMAN/CAPRICE	WM V6	07/2007 -	R
ACDR2028	HOLDEN	COMMODORE	VE V8	09/2006 -	F
		STATESMAN/CAPRICE	WM V8	07/2007 -	F
ACDR2029	HOLDEN	COMMODORE	VE V8	09/2006 -	R
		STATESMAN/CAPRICE	WM V8	07/2007 -	R
ACDR2032	DAEWOO	KALOS	T200	04/2003 - 12/2004	F
	HOLDEN	BARINA	TK	12/2005 -	F
ACDR2107	FORD	FALCON / FAIRLANE	BF	10/2005 -	F
ACDR2108	FORD	FALCON / FAIRLANE	BF	10/2005 -	R
ACDR2206	MITSUBISHI	380 - DB		10/2005 -	F
ACDR2207	MITSUBISHI	380 - DB		10/2005 -	R
ACDR2707	TOYOTA	AURION	GSV40R	10/2006 -	R
		CAMRY(&VIENTA)	ACV40R	07/2006 -	R
ACDR2709	TOYOTA	AURION	GSV40R	10/2006 -	F
		CAMRY(&VIENTA)	ACV40R	07/2006 -	F
ACDR2817	HOLDEN	VECTRA	ZC	03/2003 - 12/2006	F
ACDR2818	HOLDEN	VECTRA	ZC	03/2003 - 12/2006	R
ACDR2819	HOLDEN	VECTRA	ZC	03/2003 - 12/2006	F
ACDR2820	HOLDEN	VECTRA	ZC	03/2003 - 12/2006	F
ACDR2950	MAZDA	6	GG	08/2002 -	F
ACDR2951	MAZDA	6	GG	08/2002 -	R
			GY WAGON	08/2002 -	R
ACDR2954	MAZDA	3	BK	01/2004 -	F
ACDR2955	MAZDA	3	BK	01/2004 -	R



Disc Rotor

cross references (DBA)

DBA Part No	ACDelco Part No
DBA014	ACDR014
DBA015	ACDR015
DBA016	ACDR016
DBA017	ACDR017
DBA021	ACDR021
DBA022	ACDR022
DBA023	ACDR023
DBA025	ACDR025
DBA026	ACDR026
DBA027	ACDR027
DBA033	ACDR033
DBA035	ACDR035
DBA036	ACDR036
DBA040	ACDR040
DBA041	ACDR041
DBA096	ACDR096
DBA100	ACDR100
DBA107	ACDR107
DBA109	ACDR109
DBA110B	ACDR110B
DBA111A	ACDR111A
DBA111B	ACDR111B
DBA130	ACDR130
DBA131	ACDR131
DBA132	ACDR132
DBA133	ACDR133
DBA151	ACDR151
DBA154	ACDR154
DBA156	ACDR156
DBA221	ACDR221
DBA222	ACDR222
DBA230	ACDR230
DBA329	ACDR329
DBA381	ACDR381
DBA413	ACDR413
DBA421	ACDR421
DBA422	ACDR422
DBA425	ACDR425
DBA426	ACDR426
DBA450	ACDR450
DBA451	ACDR451
DBA452	ACDR452
DBA453	ACDR453

DBA Part No	ACDelco Part No
DBA500	ACDR500
DBA501	ACDR501
DBA502	ACDR502
DBA503	ACDR503
DBA504	ACDR504
DBA505	ACDR505
DBA530	ACDR530
DBA532	ACDR532
DBA533	ACDR533
DBA540	ACDR540
DBA573	ACDR573
DBA603	ACDR603
DBA615	ACDR615
DBA617	ACDR617
DBA618	ACDR618
DBA621	ACDR621
DBA622	ACDR622
DBA628	ACDR628
DBA631	ACDR631
DBA633	ACDR633
DBA648	ACDR648
DBA650	ACDR650
DBA701	ACDR701
DBA709	ACDR709
DBA710	ACDR710
DBA711	ACDR711
DBA712	ACDR712
DBA713	ACDR713
DBA730	ACDR730
DBA733	ACDR733
DBA735	ACDR735
DBA736	ACDR736
DBA766	ACDR766
DBA780	ACDR780
DBA782	ACDR782
DBA784	ACDR784
DBA786	ACDR786
DBA787	ACDR787
DBA790	ACDR790
DBA792	ACDR792
DBA793	ACDR793
DBA794	ACDR794
DBA815	ACDR815

DBA Part No	ACDelco Part No
DBA816	ACDR816
DBA817	ACDR817
DBA818	ACDR818
DBA819	ACDR819
DBA820	ACDR820
DBA822	ACDR822
DBA825	ACDR825
DBA826	ACDR826
DBA847	ACDR847
DBA849	ACDR849
DBA850	ACDR850
DBA861	ACDR861
DBA890	ACDR820
DBA891	ACDR023
DBA894	ACDR894
DBA896	ACDR021
DBA899	ACDR899
DBA903	ACDR903
DBA930	ACDR930
DBA950	ACDR950
DBA957	ACDR957
DBA979	ACDR979
DBA983	ACDR983
DBA2026	ACDR2026
DBA2027	ACDR2027
DBA2032	ACDR2032
DBA2206	ACDR2206
DBA2207	ACDR2207
DBA2707	ACDR2707
DBA2709	ACDR2709
DBA2817	ACDR2817
DBA2818	ACDR2818
DBA2819	ACDR2819
DBA2820	ACDR2820
DBA2950	ACDR2950
DBA2951	ACDR2951
DBA2954	ACDR2954
DBA2955	ACDR2955
DBA42028	ACDR2028
DBA42029	ACDR2029
DBA42107	ACDR2107
DBA42108	ACDR2108



Disc Rotor

cross references (PBR)

PBR Part No	ACDelco Part No
PBR014	ACDR014
PBR015	ACDR015
PBR016	ACDR016
PBR017	ACDR017
PBR021	ACDR021
PBR022	ACDR022
PBR023	ACDR023
PBR025	ACDR025
PBR026	ACDR026
PBR027	ACDR027
PBR033	ACDR033
PBR035	ACDR035
PBR036	ACDR036
PBR040	ACDR040
PBR041	ACDR041
PBR096	ACDR096
PBR100	ACDR100
PBR107	ACDR107
PBR109	ACDR109
PBR110B	ACDR110B
PBR111A	ACDR111A
PBR111B	ACDR111B
PBR130	ACDR130
PBR131	ACDR131
PBR132	ACDR132
PBR133	ACDR133
PBR151	ACDR151
PBR154	ACDR154
PBR156	ACDR156
PBR221	ACDR221
PBR222	ACDR222
PBR230	ACDR230
PBR329	ACDR329
PBR381	ACDR381
PBR413	ACDR413
PBR421	ACDR421
PBR422	ACDR422
PBR425	ACDR425
PBR426	ACDR426
PBR450	ACDR450
PBR451	ACDR451
PBR452	ACDR452

PBR Part No	ACDelco Part No
PBR453	ACDR453
PBR500	ACDR500
PBR501	ACDR501
PBR502	ACDR502
PBR503	ACDR503
PBR504	ACDR504
PBR505	ACDR505
PBR530	ACDR530
PBR532	ACDR532
PBR533	ACDR533
PBR540	ACDR540
PBR573	ACDR573
PBR603	ACDR603
PBR615	ACDR615
PBR617	ACDR617
PBR618	ACDR618
PBR621	ACDR621
PBR622	ACDR622
PBR628	ACDR628
PBR631	ACDR631
PBR633	ACDR633
PBR648	ACDR648
PBR650	ACDR650
PBR701	ACDR701
PBR709	ACDR709
PBR710	ACDR710
PBR711	ACDR711
PBR712	ACDR712
PBR713	ACDR713
PBR730	ACDR730
PBR733	ACDR733
PBR735	ACDR735
PBR736	ACDR736
PBR766	ACDR766
PBR780	ACDR780
PBR782	ACDR782
PBR784	ACDR784
PBR786	ACDR786
PBR787	ACDR787
PBR790	ACDR790
PBR792	ACDR792
PBR793	ACDR793

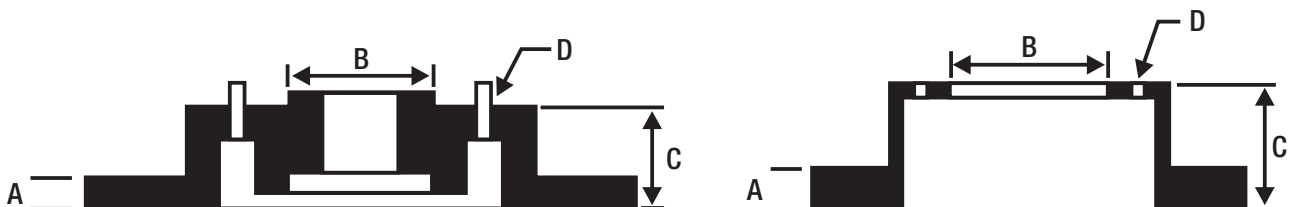
PBR Part No	ACDelco Part No
PBR794	ACDR794
PBR815	ACDR815
PBR816	ACDR816
PBR817	ACDR817
PBR818	ACDR818
PBR819	ACDR819
PBR820	ACDR820
PBR822	ACDR822
PBR825	ACDR825
PBR826	ACDR826
PBR847	ACDR847
PBR849	ACDR849
PBR850	ACDR850
PBR861	ACDR861
PBR894	ACDR894
PBR899	ACDR899
PBR903	ACDR903
PBR930	ACDR930
PBR950	ACDR950
PBR957	ACDR957
PBR979	ACDR979
PBR983	ACDR983
CD1065	ACDR1065
PBR2026	ACDR2026
PBR2027	ACDR2027
PBR2028	ACDR2028
PBR2029	ACDR2029
PBR2032	ACDR2032
PBR2107	ACDR2107
PBR2108	ACDR2108
PBR2206	ACDR2206
PBR2207	ACDR2207
PBR2707	ACDR2707
PBR2709	ACDR2709
PBR2817	ACDR2817
PBR2818	ACDR2818
PBR2819	ACDR2819
PBR2820	ACDR2820
PBR2950	ACDR2950
PBR2951	ACDR2951
PBR2954	ACDR2954
PBR2955	ACDR2955

Disc Rotor

dimensions & specifications

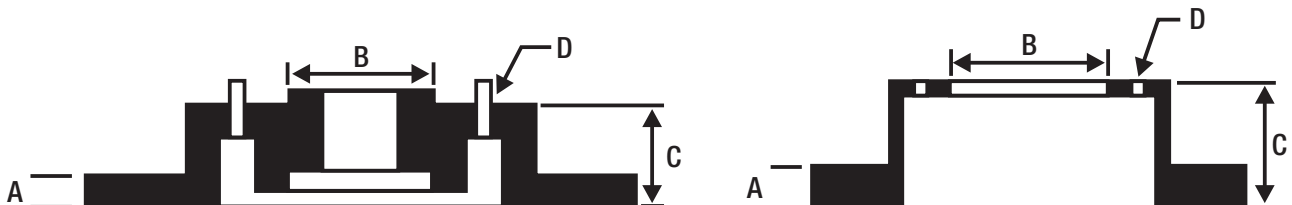
ACDelco Part No	Solid / Vented	Dimensions in mm (see key below)					D	W
		O Dia'	A Max	A Min	B	C		
ACDR014	Vented	276	25.4	24.5	Hub	72	6	11
ACDR015	Vented	271	22	21	Hub	82	5	10
ACDR016	Solid	278	10.5	8.5	70	83	5	5.5
ACDR017	Vented	289	22	21	Hub	82	5	11
ACDR021	Vented	236	20	19	60	41.1	4	3.96
ACDR022	Vented	231	17	15	64	50	4	4
ACDR023	Vented	256	24	21	60	41	6	5
ACDR025	Vented	271	22.9	21	38.3	98	5	10.5
ACDR026	Solid	279	10.5	9.5	70	67	5	5
ACDR027	Vented	289	22.9	20	38.3	98	5	10.5
ACDR033	Vented	257	22	20.6	88	36	6	5.4
ACDR035	Vented	289	22.8	20	70	83	5	5.7
ACDR036	Solid	279	10.4	8.5	70	86	5	5.5
ACDR040	Vented	295.9	28	25	71.53	52.8	5	9
ACDR041	Solid	285.9	15.9	13.9	70.03	62	5	7
ACDR096	Vented	280	24	22.7	72	75.5	5	5
ACDR100	Solid	227	11	10	75	31.1	4	2.74
ACDR107	Vented	287	24	22.2	Hub	75	5	11
ACDR109	Vented	287	24	22.2	70.5	62	5	7
ACDR110B	Vented	286	23.8	22.2	Hub	70	5	9
ACDR111A	Solid	287	15	14	70.5	62	5	6.5
ACDR111B	Solid	287	13	12	70.5	62	5	6.5
ACDR130	Vented	287	24	22.2	Hub	70	5	9
ACDR131	Vented	287	25	22	Hub	70	5	10.5
ACDR132	Vented	287	25	22	Hub	70	5	10.5
ACDR133	Solid	299	10.5	8.5	71	56.5	5	6
ACDR151	Solid	302	20	19	100	47.8	4	7
ACDR154	Solid	302	12.5	11.5	100	48.1	6	5.75
ACDR156	Vented	257	25	24	84	46.6	5	5.6
ACDR221	Vented	266	24	22.4	69	45	4	6.3
ACDR222	Solid	252	10	8.4	Hub	49	4	6
ACDR230	Vented	258	22	20.4	84	33.5	5	5
ACDR329	Vented	295	20	18	104	29.1	6	6.6
ACDR381	Solid	281	9.7	8.4	68	73.3	4	4.95
ACDR413	Vented	235	18	16.4	64	45	4	4
ACDR421	Vented	256	24	22	69	45.2	5	5

O Dia'	Outer Diameter	A Max	Thickness New	A Min	Replacement Thickness	B	Center Hole Diameter
C	Height New	D	Number of Bolt Holes	W	Weight (kg)		



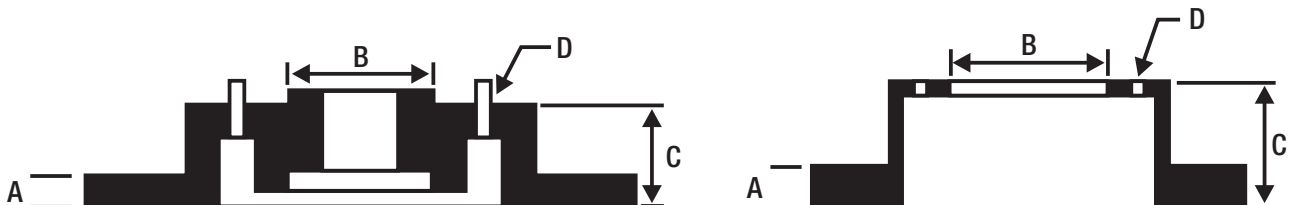
ACDelco Part No	Solid / Vented	Dimensions in mm (see key below)					D	W
		O Dia'	A Max	A Min	B	C		
ACDR422	Solid	258	10.4	8.4	90	66	5	4.5
ACDR425	Vented	275.9	24	22.4	69	45.9	5	6
ACDR426	Solid	258	10	8.4	90.15	56.76	5	4
ACDR450	Vented	241	19	17.7	63	52	4	4.5
ACDR451	Vented	242	19	17.7	86	40.5	4	4.2
ACDR452	Vented	257	22	20	69	45	4	5.1
ACDR453	Vented	257	22	20	86	34	4	5
ACDR500	Vented	287	24	21	71.8	70	5	7
ACDR501	Solid	287	10.5	8.5	70.5	51.5	5	5.2
ACDR502	Vented	287	28	25.6	71.8	65	5	8.2
ACDR503	Solid	287	16	14.5	70.5	51	5	5
ACDR504	Vented	298	28	26	71.5	65	5	9.2
ACDR505	Solid	303	16	14.5	70.5	51	5	7.3
ACDR530	Vented	234	18.1	16	55	45.1	4	3.9
ACDR532	Vented	235	22	20	55	45.5	4	4.2
ACDR533	Vented	257	22	20	55	45.5	4	5
ACDR540	Vented	305	26	24.5	72	64	5	8
ACDR573	Vented	280	28	26	68	49	5	7.5
ACDR603	Vented	240	18.1	16	61	45.25	4	4
ACDR615	Vented	250	22	20	Hub	48	4	8
ACDR617	Vented	256	22	20	68	49.5	4	5.6
ACDR618	Vented	260	26	24	81	36.9	6	6.5
ACDR621	Vented	266	22	20	100	39.5	6	6
ACDR622	Vented	315	18	16	111	80	6	8
ACDR628	Vented	250	18	16	61	45.2	4	4.5
ACDR631	Vented	256	20	18	86	20	6	4.55
ACDR633	Vented	264	24	22	64	47	5	5.3
ACDR648	Vented	276.5	24	22	58	56.8	5	6
ACDR650	Vented	294	24	22	58	57	5	6.5
ACDR701	Solid	243	13.5	12.5	54	47.1	4	4.5
ACDR709	Vented	255	22	20	55	48.2	4	5
ACDR710	Solid	266	9	8	55	37	4	3.5
ACDR711	Vented	238	22	20	55	48	4	4
ACDR712	Vented	255	25	23	55	49.5	4	5.2
ACDR713	Solid	269	9	8	55	56	4	3.7
ACDR730	Vented	254	22	21	54	47.5	5	5.1
ACDR733	Vented	255	28	26	62	49.3	5	5.9
ACDR735	Vented	275	28	26	62	49	5	6.8
ACDR736	Solid	269	10	9	62.1	64.8	5	4.3
ACDR766	Vented	255	25	23	84	46.5	5	6
ACDR780	Vented	289	20	18	100	64.6	6	6.27
ACDR782	Vented	286	25	23	105.1	58.2	6	7
ACDR784	Vented	311	32	30	105	58.2	6	6.5
ACDR786	Vented	335	18	16	106	103	6	7.1
ACDR787	Vented	312	18	16	106	68	6	6.5
ACDR790	Vented	322	32	30	115	65	5	8.5

O Dia'	Outer Diameter	A Max	Thickness New	A Min	Replacement Thickness	B	Center Hole Diameter
C	Height New	D	Number of Bolt Holes	W	Weight (kg)		



ACDelco Part No	Solid / Vented	Dimensions in mm (see key below)					D	W
		O Dia'	A Max	A Min	B	C		
ACDR792	Vented	319	22	20	108	70	6	6.5
ACDR793	Vented	312	18	16	106	68	6	6
ACDR794	Vented	312	18	16	110	102.5	5	7.5
ACDR815	Vented	280	25	22	70	42	5	6.5
ACDR816	Solid	264	10	8	65	42	5	3.5
ACDR817	Vented	256	24	21	60	41	4	5
ACDR818	Solid	240	10	8	57	42	4	3
ACDR819	Solid	260	10	8	57	69.2	4	4
ACDR820	Solid	236	12	9.7	60	41	4	4
ACDR822	Vented	255	20	17	60	41	4	4.8
ACDR825	Vented	288	25	23	70	44	5	5
ACDR826	Solid	286	10	8	65	69.2	5	5
ACDR847	Vented	260	24	21	60	41.2	4	5
ACDR849	Solid	240	10	8	57	41	4	3.1
ACDR850	Vented	260	24	22.2	63.5	47	4	5.5
ACDR861	Solid	285	12	11	71	58.4	5	5.5
ACDR894	Vented	256	24	22	60	47	4	6
ACDR899	Vented	247	18	16	61	45.2	4	4
ACDR903	Vented	280	22	20	68	49.2	4	7
ACDR930	Vented	238	18	16	75	31	4	3.45
ACDR950	Vented	258	24	22	72	48.5	5	5
ACDR957	Vented	278	24	22	72	47	5	6.3
ACDR979	Vented	286	22	20.4	79	51.6	5	7
ACDR983	Solid	280	10	8.4	75	60.1	5	5
ACDR1065	Solid	278	12	TBA	TBA	TBA	5	TBA
ACDR2026	Vented	298	30	28	67.5	55.2	5	8.2
ACDR2027	Vented	302	22	20	67.4	56	5	7.4
ACDR2028	Vented	321	30	28	67.5	52.5	5	9.3
ACDR2029	Vented	324	22	20	67.4	56.1	5	8.5
ACDR2032	Vented	236	20	18	59	41	4	TBA
ACDR2107	Vented	322	28	26	71	68	5	10.3
ACDR2108	Vented	328	26	24	71	59	5	9.2
ACDR2206	Vented	294	28	26.4	69	46	5	TBA
ACDR2207	Vented	302	18	16.4	69	59.2	5	TBA
ACDR2707	Solid	286	10	8.5	62	60	5	5.4
ACDR2709	Vented	296	28	25	62	49.3	5	7.3
ACDR2817	Vented	302	28	25	70	46	5	TBA
ACDR2818	Vented	292	20	18	66	42	5	TBA
ACDR2819	Vented	314	28	25	70	46	5	9.2
ACDR2820	Vented	285	25	22	70	43	5	TBA
ACDR2950	Vented	274	24	22	72	47.5	5	5.7
ACDR2951	Solid	280	10	8	72	40	5	4
ACDR2954	Vented	278	25	23	72	49	5	7.2
ACDR2955	Solid	264	11	9	72	41	5	4

O Dia'	Outer Diameter	A Max	Thickness New	A Min	Replacement Thickness	B	Center Hole Diameter
C	Height New	D	Number of Bolt Holes	W	Weight (kg)		



ACDelco[®]

Durastop brake pads

FINISH THE JOB CONFIDENTLY BY FITTING ACDELCO DURASTOP BRAKE PADS

ACDelco Durastop Disc Brake Pads are an ideal choice when it comes to quiet, confident and low-dust braking.

- / Every ACDelco Durastop Disc Brake Pad has been formulated to the vehicle's requirements to ensure safe and consistent stopping ability.
- / ACDelco Durastop Disc Brake Pads provide optimum noise suppression and performance by using unique formulations and are combined with shims, slots and chamfers where needed.
- / ACDelco Durastop Disc Brake Pad backing plate is protected by a premium powder coated finish, ensuring professional protection and appearance.
- / The ACDelco Durastop Disc Brake Pad compound is of a specially formulated Non Asbestos Organic (NAO) material and is 100% asbestos free.
- / ACDelco Durastop Disc Brake Pads friction levels are stable across a broad range of operating temperatures, and create very low levels of dust.



ACDelco Product Range:



Spark Plugs



Wipers



Chemicals



Batteries



Fuel Pumps



Belts



Oils & Fluids



Brake Pads



Disc Rotors



Shock Absorbers



Filters

Remanufactured
Power Steering Racks
& PumpsRemanufactured
EnginesRemanufactured
Cylinder Head KitsRemanufactured
Transmissions

ACDelco offers a comprehensive product range to suit Most Makes Most Models.

For your nearest ACDelco Automotive Parts Stockist call 1800 ACDelco or visit acdelco.com.au

Available
from:

1800 ACDelco
acdelco.com.au

Suits Most Makes Most Models

ACDelco®